



VN	VIETNAM
----	---------

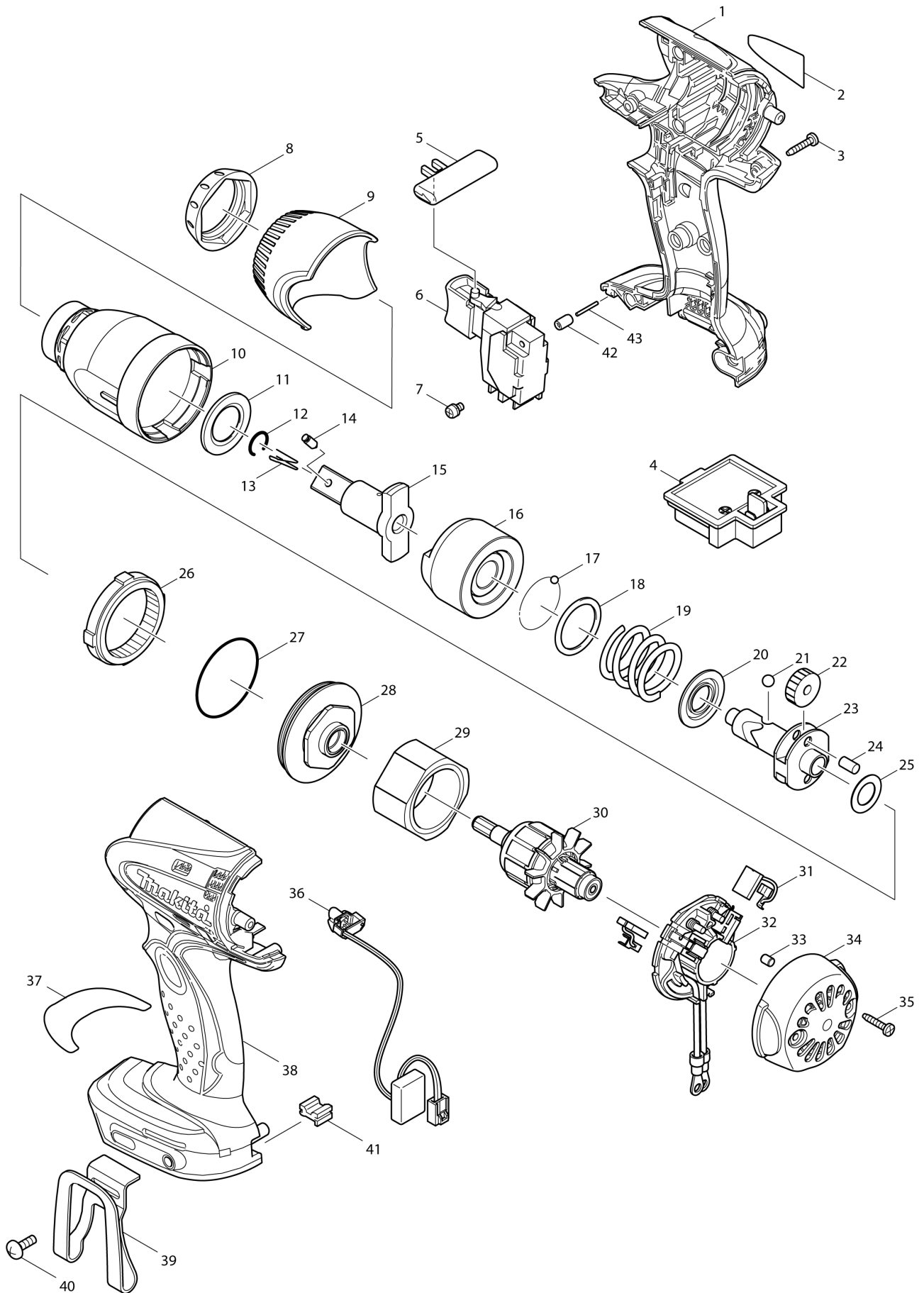
# Diagram / Parts List

**DTW251**

**CORDLESS IMPACT WRENCH**



(VN) DTW251 / CORDLESS IMPACT WRENCH



<b>VN</b>	<b>VIETNAM</b>
-----------	----------------

## DTW251 / CORDLESS IMPACT WRENCH

Item	Sub	Parts No.	Parts Description	Qty	I/C	E/C No.	Close No.	Remark
001		188243-5	HOUSING SET	1				
	C10	263005-3	RUBBER PIN 6	2				
	D10		INC. 38					
002		815E48-7	DTW251 NAME PLATE	1			D2833	
002-1		857J88-9	DTW251 NAME PLATA	1	S	D2833		
003		266130-9	TAPPING SCREW BIND PT 3X16	8				
004		643852-2	TERMINAL	1				
005		419041-9	F/R CHANGE LEVER	1				
006		650652-3	SWITCH TG553FSB-1B	1				
007		652045-0	+PAN HEAD SCREW M3.5X5	2				
008		424375-7	BUMPER	1				
009		452439-7	HAMMER CASE COVER	1				
010		140171-2	HAMMER CASE COMPLETE	1				
011		261116-8	NYLON WASHER 18	1				
012		231907-1	RING SPRING 10	1				
015		324706-9	ANVIL	1				
016		324703-5	HAMMER	1				
017		216001-0	STEEL BALL 3.5	24			D0295	
017-1		216040-0	STEEL BALL 3.5	24	O	D0295		
018		267175-0	FLAT WASHER 24	1				
019		234337-5	COMPRESSION SPRING 25	1				
020		267766-7	CUP WASHER 14	1				
021		216011-7	STEEL BALL 5.6	2				
022		227233-4	SPUR GEAR 22	2				
023		324220-5	SPINDLE	1				
024		256253-1	PIN 5	2				
025		267212-0	FLAT WASHER 12	1				
026		227150-8	INTERNAL GEAR 51	1				
027		213507-9	O RING 40	1				
028B		158145-9	BEARING BOX COMPLETE	1			Z25405	
028-1B		143035-9	BEARING BOX COMPLETE	1	O	Z25405		
028-1C		143035-9	BEARING BOX COMPLETE	1				
028-1D		143035-9	BEARING BOX COMPLETE	1				
029		638495-3	YORK UNIT	1				
030B		619253-6	ARMATURE	1			A7514	
030C		619253-6	ARMATURE	1			A7514	
030-1B		619375-2	ARMATURE	1	<	A7514		
030-1C		619375-2	ARMATURE	1	<	A7514		
030-1D		619375-2	ARMATURE	1				
031		196855-0	CARBON BRUSH CB-448	1			B1033	
031-1		196855-0	CARBON BRUSH CB-448	1	S	B1033	C4463	
031-2		198887-3	CARBON BRUSH CB-5	1	S	C4463		
032		638498-7	BRUSH HOLDER COMPLETE	1			B1033	
032-1		632G49-0	BRUSH HOLDER COMPLETE	1	S	B1033	C4463	
	C10	689181-9	SPACER	2		B1033	C4463	
	D10		INC. 31			B1033	C4463	
032-2		632L18-1	BRUSH HOLDER COMPLETE	1	<	C4463		
	D10		INC. 31			C4463		
033		263032-0	RUBBER PIN 4	2				
034		418981-8	REAR COVER	1				
035		266130-9	TAPPING SCREW BIND PT 3X16	2				
036		631693-8	LIGHT CIRCUIT	1				
038		188243-5	HOUSING SET	1				
	C10	263005-3	RUBBER PIN 6	2				
	D10		INC. 1					
039		346317-0	HOOK	1				
040		251314-2	+ SCREW M4X12	1				
041B		424026-2	CUSHION	1			Z25405	
041-1B		424476-1	CUSHION	1	O	Z25405		
041-1C		424476-1	CUSHION	1				
041-1D		424476-1	CUSHION	1				
042		263036-2	RUBBER PIN 5	1				
043		268184-2	PIN 1.5	1				
044		857J89-7	DTW251 SERIAL NO. LABEL	1	S	D2833		
A01B		***DC18RC	DC18RC FAST CHARGER	1				

B:DTW251RFE(H)  
C:DTW251RME(H)  
D:DTW251Z(N)

Interchange  
O : Yes  
X : No  
< : the new part can be substituted for the current.  
> : the current part can be substituted for the new.  
S : Interchangeable as a set.

