



| | |
|----|---------|
| VN | VIETNAM |
|----|---------|

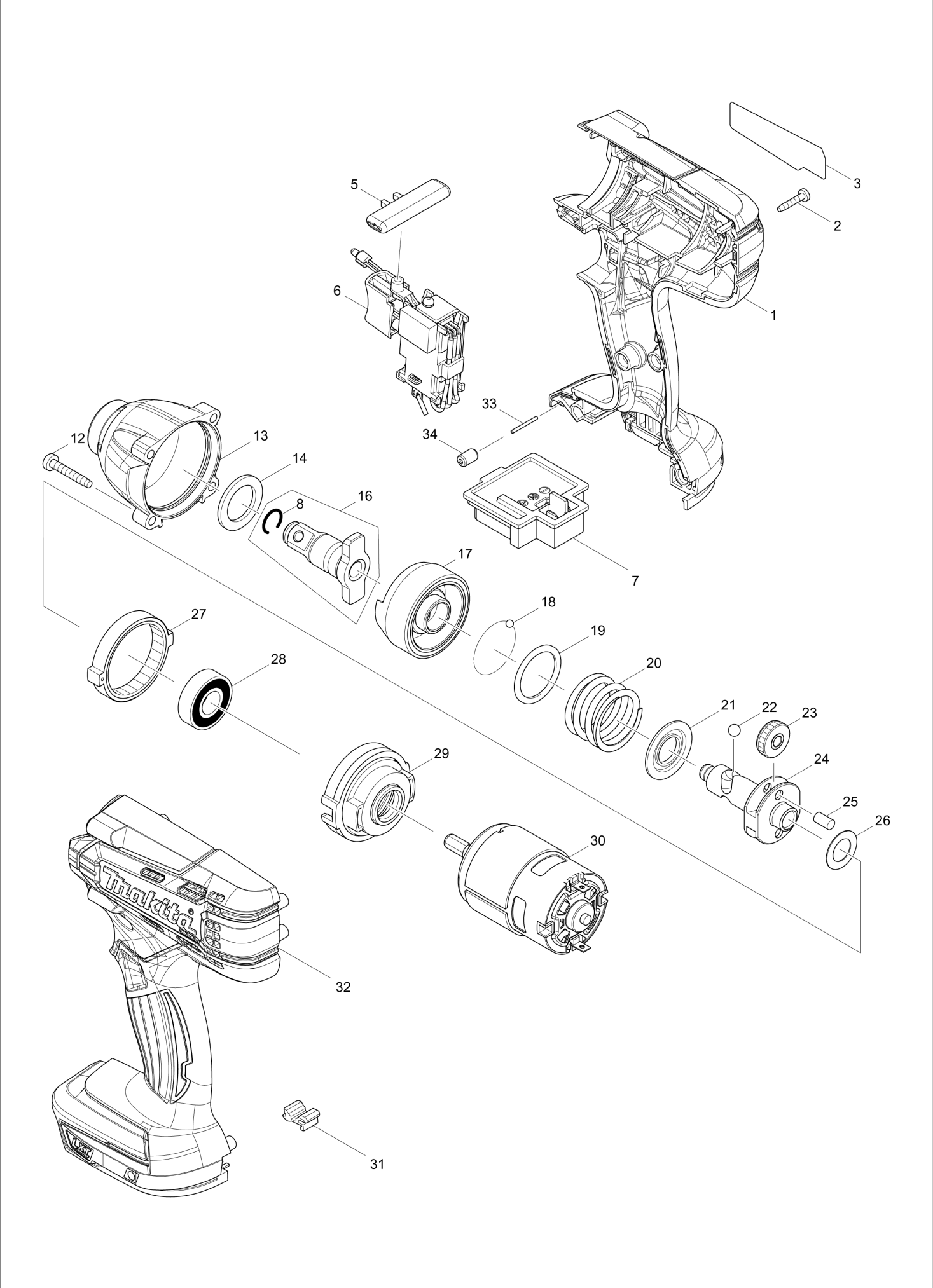
Diagram / Parts List

DTW190

CORDLESS IMPACT WRENCH



(VN) DTW190 / CORDLESS IMPACT WRENCH



| | |
|-----------|----------------|
| VN | VIETNAM |
|-----------|----------------|

DTW190 / CORDLESS IMPACT WRENCH

| Item | Sub | Parts No. | Parts Description | Qty | I/C | E/C No. | Close No. | Remark |
|--------|-----|-----------|--------------------|-----|-----|---------|-----------|--------|
| 001A | | 183D73-3 | HOUSING SET | 1 | | | B4946 | |
| | C10 | 263005-3 | RUBBER PIN 6 | 2 | | | B4946 | |
| | C20 | 252126-6 | HEX. LOCK NUT M4-7 | 2 | | | B4946 | |
| | D10 | | INC. 32 | | | | B4946 | |
| 001B | | 183D73-3 | HOUSING SET | 1 | | | B4946 | |
| | C10 | 263005-3 | RUBBER PIN 6 | 2 | | | B4946 | |
| | C20 | 252126-6 | HEX. LOCK NUT M4-7 | 2 | | | B4946 | |
| | D10 | | INC. 32 | | | | B4946 | |
| 001C | | 183D73-3 | HOUSING SET | 1 | | | B4946 | |
| | C10 | 263005-3 | RUBBER PIN 6 | 2 | | | B4946 | |
| | C20 | 252126-6 | HEX. LOCK NUT M4-7 | 2 | | | B4946 | |
| | D10 | | INC. 32 | | | | B4946 | |
| 001D | | 183D73-3 | HOUSING SET | 1 | | | B4946 | |
| | C10 | 263005-3 | RUBBER PIN 6 | 2 | | | B4946 | |
| | C20 | 252126-6 | HEX. LOCK NUT M4-7 | 2 | | | B4946 | |
| | D10 | | INC. 32 | | | | B4946 | |
| 001-1A | | 183D73-3 | HOUSING SET | 1 | < | B4946 | | |
| | C10 | 263005-3 | RUBBER PIN 6 | 2 | | B4946 | | |
| | C20 | 252126-6 | HEX. LOCK NUT M4-7 | 2 | | B4946 | | |
| | D10 | | INC. 32 | | | B4946 | | |
| 001-1B | | 183D73-3 | HOUSING SET | 1 | < | B4946 | | |
| | C10 | 263005-3 | RUBBER PIN 6 | 2 | | B4946 | | |
| | C20 | 252126-6 | HEX. LOCK NUT M4-7 | 2 | | B4946 | | |
| | D10 | | INC. 32 | | | B4946 | | |
| 001-1C | | 183D73-3 | HOUSING SET | 1 | < | B4946 | | |
| | C10 | 263005-3 | RUBBER PIN 6 | 2 | | B4946 | | |
| | C20 | 252126-6 | HEX. LOCK NUT M4-7 | 2 | | B4946 | | |
| | D10 | | INC. 32 | | | B4946 | | |
| 001-1D | | 183D73-3 | HOUSING SET | 1 | < | B4946 | | |
| | C10 | 263005-3 | RUBBER PIN 6 | 2 | | B4946 | | |
| | C20 | 252126-6 | HEX. LOCK NUT M4-7 | 2 | | B4946 | | |
| | D10 | | INC. 32 | | | B4946 | | |
| 001-1E | | 183D73-3 | HOUSING SET | 1 | | | | |
| | C10 | 263005-3 | RUBBER PIN 6 | 2 | | | | |
| | C20 | 252126-6 | HEX. LOCK NUT M4-7 | 2 | | | | |
| | D10 | | INC. 32 | | | | | |
| 001-1F | | 183D73-3 | HOUSING SET | 1 | | | | |
| | C10 | 263005-3 | RUBBER PIN 6 | 2 | | | | |
| | C20 | 252126-6 | HEX. LOCK NUT M4-7 | 2 | | | | |
| | D10 | | INC. 32 | | | | | |
| 001-1G | | 183D73-3 | HOUSING SET | 1 | | | | |
| | C10 | 263005-3 | RUBBER PIN 6 | 2 | | | | |
| | C20 | 252126-6 | HEX. LOCK NUT M4-7 | 2 | | | | |
| | D10 | | INC. 32 | | | | | |
| 001-1H | | 183D73-3 | HOUSING SET | 1 | | | | |
| | C10 | 263005-3 | RUBBER PIN 6 | 2 | | | | |
| | C20 | 252126-6 | HEX. LOCK NUT M4-7 | 2 | | | | |
| | D10 | | INC. 32 | | | | | |
| 001-1J | | 183D73-3 | HOUSING SET | 1 | | | | |
| | C10 | 263005-3 | RUBBER PIN 6 | 2 | | | | |
| | C20 | 252126-6 | HEX. LOCK NUT M4-7 | 2 | | | | |
| | D10 | | INC. 32 | | | | | |
| 001-1K | | 183D73-3 | HOUSING SET | 1 | | | | |
| | C10 | 263005-3 | RUBBER PIN 6 | 2 | | | | |
| | C20 | 252126-6 | HEX. LOCK NUT M4-7 | 2 | | | | |
| | D10 | | INC. 32 | | | | | |
| 002 | | 266429-2 | TAPPING SCREW 3X16 | 8 | | | | |
| 003 | | 851W90-2 | DTW190 NAME PLATE | 1 | | | | |
| 005 | | 452399-3 | F/R CHANGE LEVER | 1 | | | | |
| 006A | | 632G35-1 | SWITCH UNIT | 1 | | | B5112 | |
| 006B | | 632G35-1 | SWITCH UNIT | 1 | | | B5112 | |
| 006C | | 632G35-1 | SWITCH UNIT | 1 | | | B5112 | |
| 006D | | 632G35-1 | SWITCH UNIT | 1 | | | B5112 | |
| 006-1A | | 632J82-0 | SWITCH UNIT | 1 | < | B5112 | | |
| 006-1B | | 632J82-0 | SWITCH UNIT | 1 | < | B5112 | | |

A:DTW190Z(N) G:DTW190RMJX(H)
 B:DTW190RFE(H) H:DTW190RTJX(H)
 C:DTW190RME(H) J:DTW190SFX7(H)
 D:DTW190RTE(H) K:DTW190ZX(N)
 E:DTW190ZJX1(N)
 F:DTW190RFJX(H)

Interchange
 O : Yes
 X : No
 < : the new part can be substituted for the current.
 > : the current part can be substituted for the new.
 S : Interchangeable as a set.

| | |
|-----------|----------------|
| VN | VIETNAM |
|-----------|----------------|

DTW190 / CORDLESS IMPACT WRENCH

| Item | Sub | Parts No. | Parts Description | Qty | I/C | E/C No. | Close No. | Remark |
|--------|-----|-----------|----------------------|-----|-----|---------|-----------|--------|
| 006-1C | | 632J82-0 | SWITCH UNIT | 1 | < | B5112 | | |
| 006-1D | | 632J82-0 | SWITCH UNIT | 1 | < | B5112 | | |
| 006-1E | | 632J82-0 | SWITCH UNIT | 1 | | | | |
| 006-1F | | 632J82-0 | SWITCH UNIT | 1 | | | | |
| 006-1G | | 632J82-0 | SWITCH UNIT | 1 | | | | |
| 006-1H | | 632J82-0 | SWITCH UNIT | 1 | | | | |
| 006-1J | | 632J82-0 | SWITCH UNIT | 1 | | | | |
| 006-1K | | 632J82-0 | SWITCH UNIT | 1 | | | | |
| 007 | | 643852-2 | TERMINAL | 1 | | | | |
| 008 | | 231907-1 | RING SPRING 10 | 1 | | | | |
| 012 | | 266374-1 | TAPPING SCREW 4X25 | 4 | | | | |
| 013 | | 143646-0 | HAMMER CASE COMPLETE | 1 | | | | |
| | C10 | 213214-4 | O RING 16 | 1 | | | B4051 | |
| | C11 | 213207-1 | O RING 16 | 1 | O | B4051 | C5341 | |
| | C12 | 213882-3 | O-RING 16 | 1 | < | C5341 | | |
| | C10 | 213214-4 | O RING 16 | 1 | | | B4051 | |
| | C11 | 213207-1 | O RING 16 | 1 | O | B4051 | C5341 | |
| | C12 | 213882-3 | O-RING 16 | 1 | < | C5341 | | |
| | C10 | 213214-4 | O RING 16 | 1 | | | B4051 | |
| | C11 | 213207-1 | O RING 16 | 1 | O | B4051 | C5341 | |
| | C12 | 213882-3 | O-RING 16 | 1 | < | C5341 | | |
| | C10 | 213214-4 | O RING 16 | 1 | | | B4051 | |
| | C11 | 213207-1 | O RING 16 | 1 | O | B4051 | C5341 | |
| | C12 | 213882-3 | O-RING 16 | 1 | < | C5341 | | |
| | C11 | 213207-1 | O RING 16 | 1 | | | C5341 | |
| | C12 | 213882-3 | O-RING 16 | 1 | < | C5341 | | |
| | C10 | 213214-4 | O RING 16 | 1 | | | B4051 | |
| | C11 | 213207-1 | O RING 16 | 1 | O | B4051 | C5341 | |
| | C12 | 213882-3 | O-RING 16 | 1 | < | C5341 | | |
| | C11 | 213207-1 | O RING 16 | 1 | | | C5341 | |
| | C12 | 213882-3 | O-RING 16 | 1 | < | C5341 | | |
| | C10 | 213214-4 | O RING 16 | 1 | | | B4051 | |
| | C11 | 213207-1 | O RING 16 | 1 | O | B4051 | C5341 | |
| | C12 | 213882-3 | O-RING 16 | 1 | < | C5341 | | |
| | C11 | 213207-1 | O RING 16 | 1 | | | C5341 | |
| | C12 | 213882-3 | O-RING 16 | 1 | < | C5341 | | |
| | C10 | 213214-4 | O RING 16 | 1 | | | B4051 | |
| | C11 | 213207-1 | O RING 16 | 1 | O | B4051 | C5341 | |
| | C12 | 213882-3 | O-RING 16 | 1 | < | C5341 | | |
| | C11 | 213207-1 | O RING 16 | 1 | | | C5341 | |
| | C12 | 213882-3 | O-RING 16 | 1 | < | C5341 | | |
| | C10 | 213214-4 | O RING 16 | 1 | | | B4051 | |
| | C11 | 213207-1 | O RING 16 | 1 | O | B4051 | C5341 | |
| | C12 | 213882-3 | O-RING 16 | 1 | < | C5341 | | |
| | C11 | 213207-1 | O RING 16 | 1 | | | C5341 | |
| | C12 | 213882-3 | O-RING 16 | 1 | < | C5341 | | |
| | C10 | 213214-4 | O RING 16 | 1 | | | B4051 | |
| | C11 | 213207-1 | O RING 16 | 1 | O | B4051 | C5341 | |
| | C12 | 213882-3 | O-RING 16 | 1 | < | C5341 | | |
| 014 | | 261151-6 | NYLON WASHER 19 | 1 | | | | |
| 016A | | 135745-2 | ANVIL E ASSEMBLY | 1 | | | B3421 | |
| | D10 | | INC. 8 | | | | B3421 | |
| 016B | | 135745-2 | ANVIL E ASSEMBLY | 1 | | | B3421 | |
| | D10 | | INC. 8 | | | | B3421 | |
| 016C | | 135745-2 | ANVIL E ASSEMBLY | 1 | | | B3421 | |
| | D10 | | INC. 8 | | | | B3421 | |
| 016D | | 135745-2 | ANVIL E ASSEMBLY | 1 | | | B3421 | |
| | D10 | | INC. 8 | | | | B3421 | |
| 016-1A | | 135796-5 | ANVIL E ASSEMBLY | 1 | < | B3421 | | |
| | D10 | | INC. 8 | | | B3421 | | |
| 016-1B | | 135796-5 | ANVIL E ASSEMBLY | 1 | < | B3421 | | |
| | D10 | | INC. 8 | | | B3421 | | |
| 016-1C | | 135796-5 | ANVIL E ASSEMBLY | 1 | < | B3421 | | |
| | D10 | | INC. 8 | | | B3421 | | |
| 016-1D | | 135796-5 | ANVIL E ASSEMBLY | 1 | < | B3421 | | |
| | D10 | | INC. 8 | | | B3421 | | |
| 016-1E | | 135796-5 | ANVIL E ASSEMBLY | 1 | | | | |
| | D10 | | INC. 8 | | | | | |
| 016-1F | | 135796-5 | ANVIL E ASSEMBLY | 1 | | | | |
| | D10 | | INC. 8 | | | | | |
| 016-1G | | 135796-5 | ANVIL E ASSEMBLY | 1 | | | | |
| | D10 | | INC. 8 | | | | | |
| 016-1H | | 135796-5 | ANVIL E ASSEMBLY | 1 | | | | |
| | D10 | | INC. 8 | | | | | |
| 016-1J | | 135796-5 | ANVIL E ASSEMBLY | 1 | | | | |
| | D10 | | INC. 8 | | | | | |
| 016-1K | | 135796-5 | ANVIL E ASSEMBLY | 1 | | | | |
| | D10 | | INC. 8 | | | | | |
| 017 | | 326110-8 | HAMMER | 1 | | | | |
| 018 | | 216040-0 | STEEL BALL 3.5 | 24 | | | | |

A:DTW190Z(N)
 B:DTW190RFE(H)
 C:DTW190RME(H)
 D:DTW190RTE(H)
 E:DTW190ZJX1(N)
 F:DTW190RFJX(H)

G:DTW190RMJX(H)
 H:DTW190RTJX(H)
 J:DTW190SFX7(H)
 K:DTW190ZX(N)

Interchange
 O : Yes
 X : No
 < : the new part can be substituted for the current.
 > : the current part can be substituted for the new.
 S : Interchangeable as a set.

| | |
|-----------|----------------|
| VN | VIETNAM |
|-----------|----------------|

DTW190 / CORDLESS IMPACT WRENCH

| Item | Sub | Parts No. | Parts Description | Qty | I/C | E/C No. | Close No. | Remark |
|--------|-----|-----------|-----------------------|-----|-----|---------|-----------|--------|
| 019 | | 267175-0 | FLAT WASHER 24 | 1 | | | | |
| 020 | | 233430-2 | COMPRESSION SPRING 24 | 1 | | | | |
| 021 | | 267766-7 | CUP WASHER 14 | 1 | | | | |
| 022 | | 216041-8 | STEEL BALL 5.6 | 2 | | | | |
| 023 | | 227362-3 | SPUR GEAR 22 | 2 | | | | |
| 024 | | 326109-3 | SPINDLE | 1 | | | | |
| 025 | | 256253-1 | PIN 5 | 2 | | | | |
| 026 | | 267212-0 | FLAT WASHER 12 | 1 | | | | |
| 027 | | 227279-0 | INTERNAL GEAR 51 | 1 | | | | |
| 028 | | 210107-6 | BALL BEARING 6001ZZ | 1 | | | | |
| 029 | | 453056-6 | INTERNAL GEAR CASE | 1 | | | | |
| 030 | | 629195-6 | DC MOTOR | 1 | | | | |
| 031 | | 424476-1 | CUSHION | 1 | | | | |
| 032A | | 183D73-3 | HOUSING SET | 1 | | | B4946 | |
| | C10 | 263005-3 | RUBBER PIN 6 | 2 | | | B4946 | |
| | C20 | 252126-6 | HEX. LOCK NUT M4-7 | 2 | | | B4946 | |
| | D10 | | INC. 1 | | | | B4946 | |
| 032B | | 183D73-3 | HOUSING SET | 1 | | | B4946 | |
| | C10 | 263005-3 | RUBBER PIN 6 | 2 | | | B4946 | |
| | C20 | 252126-6 | HEX. LOCK NUT M4-7 | 2 | | | B4946 | |
| | D10 | | INC. 1 | | | | B4946 | |
| 032C | | 183D73-3 | HOUSING SET | 1 | | | B4946 | |
| | C10 | 263005-3 | RUBBER PIN 6 | 2 | | | B4946 | |
| | C20 | 252126-6 | HEX. LOCK NUT M4-7 | 2 | | | B4946 | |
| | D10 | | INC. 1 | | | | B4946 | |
| 032D | | 183D73-3 | HOUSING SET | 1 | | | B4946 | |
| | C10 | 263005-3 | RUBBER PIN 6 | 2 | | | B4946 | |
| | C20 | 252126-6 | HEX. LOCK NUT M4-7 | 2 | | | B4946 | |
| | D10 | | INC. 1 | | | | B4946 | |
| 032-1A | | 183D73-3 | HOUSING SET | 1 | < | B4946 | | |
| | C10 | 263005-3 | RUBBER PIN 6 | 2 | | B4946 | | |
| | C20 | 252126-6 | HEX. LOCK NUT M4-7 | 2 | | B4946 | | |
| | D10 | | INC. 1 | | | B4946 | | |
| 032-1B | | 183D73-3 | HOUSING SET | 1 | < | B4946 | | |
| | C10 | 263005-3 | RUBBER PIN 6 | 2 | | B4946 | | |
| | C20 | 252126-6 | HEX. LOCK NUT M4-7 | 2 | | B4946 | | |
| | D10 | | INC. 1 | | | B4946 | | |
| 032-1C | | 183D73-3 | HOUSING SET | 1 | < | B4946 | | |
| | C10 | 263005-3 | RUBBER PIN 6 | 2 | | B4946 | | |
| | C20 | 252126-6 | HEX. LOCK NUT M4-7 | 2 | | B4946 | | |
| | D10 | | INC. 1 | | | B4946 | | |
| 032-1D | | 183D73-3 | HOUSING SET | 1 | < | B4946 | | |
| | C10 | 263005-3 | RUBBER PIN 6 | 2 | | B4946 | | |
| | C20 | 252126-6 | HEX. LOCK NUT M4-7 | 2 | | B4946 | | |
| | D10 | | INC. 1 | | | B4946 | | |
| 032-1E | | 183D73-3 | HOUSING SET | 1 | | | | |
| | C10 | 263005-3 | RUBBER PIN 6 | 2 | | | | |
| | C20 | 252126-6 | HEX. LOCK NUT M4-7 | 2 | | | | |
| | D10 | | INC. 1 | | | | | |
| 032-1F | | 183D73-3 | HOUSING SET | 1 | | | | |
| | C10 | 263005-3 | RUBBER PIN 6 | 2 | | | | |
| | C20 | 252126-6 | HEX. LOCK NUT M4-7 | 2 | | | | |
| | D10 | | INC. 1 | | | | | |
| 032-1G | | 183D73-3 | HOUSING SET | 1 | | | | |
| | C10 | 263005-3 | RUBBER PIN 6 | 2 | | | | |
| | C20 | 252126-6 | HEX. LOCK NUT M4-7 | 2 | | | | |
| | D10 | | INC. 1 | | | | | |
| 032-1H | | 183D73-3 | HOUSING SET | 1 | | | | |
| | C10 | 263005-3 | RUBBER PIN 6 | 2 | | | | |
| | C20 | 252126-6 | HEX. LOCK NUT M4-7 | 2 | | | | |
| | D10 | | INC. 1 | | | | | |
| 032-1J | | 183D73-3 | HOUSING SET | 1 | | | | |
| | C10 | 263005-3 | RUBBER PIN 6 | 2 | | | | |
| | C20 | 252126-6 | HEX. LOCK NUT M4-7 | 2 | | | | |
| | D10 | | INC. 1 | | | | | |

A:DTW190Z(N) G:DTW190RMJX(H)
 B:DTW190RFE(H) H:DTW190RTJX(H)
 C:DTW190RME(H) J:DTW190SFX7(H)
 D:DTW190RTE(H) K:DTW190ZX(N)
 E:DTW190ZJX1(N)
 F:DTW190RFJX(H)

Interchange
 O : Yes
 X : No
 < : the new part can be substituted for the current.
 > : the current part can be substituted for the new.
 S : Interchangeable as a set.

| | |
|-----------|----------------|
| VN | VIETNAM |
|-----------|----------------|

DTW190 / CORDLESS IMPACT WRENCH

| Item | Sub | Parts No. | Parts Description | Qty | I/C | E/C No. | Close No. | Remark |
|--------|-----|-----------|--------------------------------|-----|-----|---------|-----------|--------|
| 032-1K | | 183D73-3 | HOUSING SET | 1 | | | | |
| | C10 | 263005-3 | RUBBER PIN 6 | 2 | | | | |
| | C20 | 252126-6 | HEX. LOCK NUT M4-7 | 2 | | | | |
| | D10 | | INC. 1 | | | | | |
| 033 | | 268284-8 | PIN 1.5 | 1 | | | | |
| 034 | | 263036-2 | RUBBER PIN 5 | 1 | | | | |
| A01B | | 141856-3 | PLASTIC CARRYING CASE COMPLETE | 1 | | | | |
| | C10 | 162302-3 | LATCH | 2 | | | | |
| | C20 | 324207-7 | SHAFT | 1 | | | | |
| | C30 | 451749-9 | HANDLE | 1 | | | | |
| A01C | | 141856-3 | PLASTIC CARRYING CASE COMPLETE | 1 | | | | |
| | C10 | 162302-3 | LATCH | 2 | | | | |
| | C20 | 324207-7 | SHAFT | 1 | | | | |
| | C30 | 451749-9 | HANDLE | 1 | | | | |
| A01D | | 141856-3 | PLASTIC CARRYING CASE COMPLETE | 1 | | | | |
| | C10 | 162302-3 | LATCH | 2 | | | | |
| | C20 | 324207-7 | SHAFT | 1 | | | | |
| | C30 | 451749-9 | HANDLE | 1 | | | | |
| A01E | | 821550-0 | CONNECTOR PLASTIC CASE (TYPE2) | 1 | | | | |
| | C10 | 453974-8 | LATCH | 4 | | | | |
| A01F | | 821550-0 | CONNECTOR PLASTIC CASE (TYPE2) | 1 | | | | |
| | C10 | 453974-8 | LATCH | 4 | | | | |
| A01G | | 821550-0 | CONNECTOR PLASTIC CASE (TYPE2) | 1 | | | | |
| | C10 | 453974-8 | LATCH | 4 | | | | |
| A01H | | 821550-0 | CONNECTOR PLASTIC CASE (TYPE2) | 1 | | | | |
| | C10 | 453974-8 | LATCH | 4 | | | | |
| A01J | | ***DC18SD | DC18SD BATTERY CHARGER | 1 | | | | |
| | D10 | | COMPO-PARTS | | | | | |
| A01K | | 161464-4 | SHOULDER STRAP | 1 | | | | |
| A02B | | 808M87-2 | DTW190RFE PLASTIC CASE LABEL | 2 | | | | |
| A02C | | 808M92-9 | DTW190RME PLASTIC CASE LABEL | 2 | | | | |
| A02D | | 808M97-9 | DTW190RTE PLASTIC CASE LABEL | 2 | | | | |
| A02E | | 838550-3 | INNER TRAY | 1 | | | | |
| A02F | | 838550-3 | INNER TRAY | 1 | | | | |
| A02G | | 838550-3 | INNER TRAY | 1 | | | | |
| A02H | | 838550-3 | INNER TRAY | 1 | | | | |
| A02J | | 197600-6 | BATTERY BL1830B SET | 1 | | | C4176 | |
| A02K | | 197940-2 | TOOL HANGER SET | 1 | | | Y08117 | |
| | C10 | 266622-8 | + TRUSS HEAD SCREW M4X12 | 2 | | | Y08117 | |
| A02-1J | | 197600-6 | BATTERY BL1830B SET | 1 | O | C4176 | | |
| A02-1K | | 197940-2 | TOOL HANGER SET | 1 | O | Y08117 | | |
| | C10 | 266622-8 | + TRUSS HEAD SCREW M4X12 | 2 | | Y08117 | | |
| A03B | | ***DC18RC | DC18RC FAST CHARGER | 1 | | | | |
| | D10 | | COMPO-PARTS | | | | | |
| A03C | | ***DC18RC | DC18RC FAST CHARGER | 1 | | | | |
| | D10 | | COMPO-PARTS | | | | | |
| A03D | | ***DC18RC | DC18RC FAST CHARGER | 1 | | | | |
| | D10 | | COMPO-PARTS | | | | | |
| A03E | | 817W49-9 | DTW190ZJX1 INDICATION LABEL | 1 | | | | |
| A03F | | 817W52-0 | DTW190RFJX INDICATION LABEL | 1 | | | | |
| A03G | | 817W55-4 | DTW190RMJX INDICATION LABEL | 1 | | | | |
| A03H | | 808N10-3 | DTW190RTJX INDICATION LABEL | 1 | | | | |
| A03J | | 450128-8 | BATTERY COVER | 1 | | | | |
| A04B | | 194204-5 | BATTERY BL1830 SET | 2 | | | B2535 | |
| A04C | | 197265-4 | BATTERY BL1840B SET | 2 | | | C5218 | |
| A04D | | 197280-8 | BATTERY BL1850B SET | 2 | | | C5219 | |
| A04E | | 817W50-4 | DTW190ZJX1 PLASTIC CASE LABEL | 2 | | | | |
| A04F | | 817W53-8 | DTW190RFJX PLASTIC CASE LABEL | 2 | | | | |
| A04G | | 817W56-2 | DTW190RMJX PLASTIC CASE LABEL | 2 | | | | |
| A04H | | 808N12-9 | DTW190RTJX PLASTIC CASE LABEL | 2 | | | | |
| A04-1B | | 197600-6 | BATTERY BL1830B SET | 2 | < | B2535 | C4176 | |
| A04-1C | | 197265-4 | BATTERY BL1840B SET | 2 | O | C5218 | | |
| A04-1D | | 197280-8 | BATTERY BL1850B SET | 2 | O | C5219 | | |
| A04-2B | | 197600-6 | BATTERY BL1830B SET | 2 | O | C4176 | | |
| A05B | | 450128-8 | BATTERY COVER | 1 | | | | |

A:DTW190Z(N) G:DTW190RMJX(H)
 B:DTW190RFE(H) H:DTW190RTJX(H)
 C:DTW190RME(H) J:DTW190SFX7(H)
 D:DTW190RTE(H) K:DTW190ZX(N)
 E:DTW190ZJX1(N)
 F:DTW190RFJX(H)

Interchange
 O : Yes
 X : No
 < : the new part can be substituted for the current.
 > : the current part can be substituted for the new.
 S : Interchangeable as a set.

