



VN	VIETNAM
----	---------

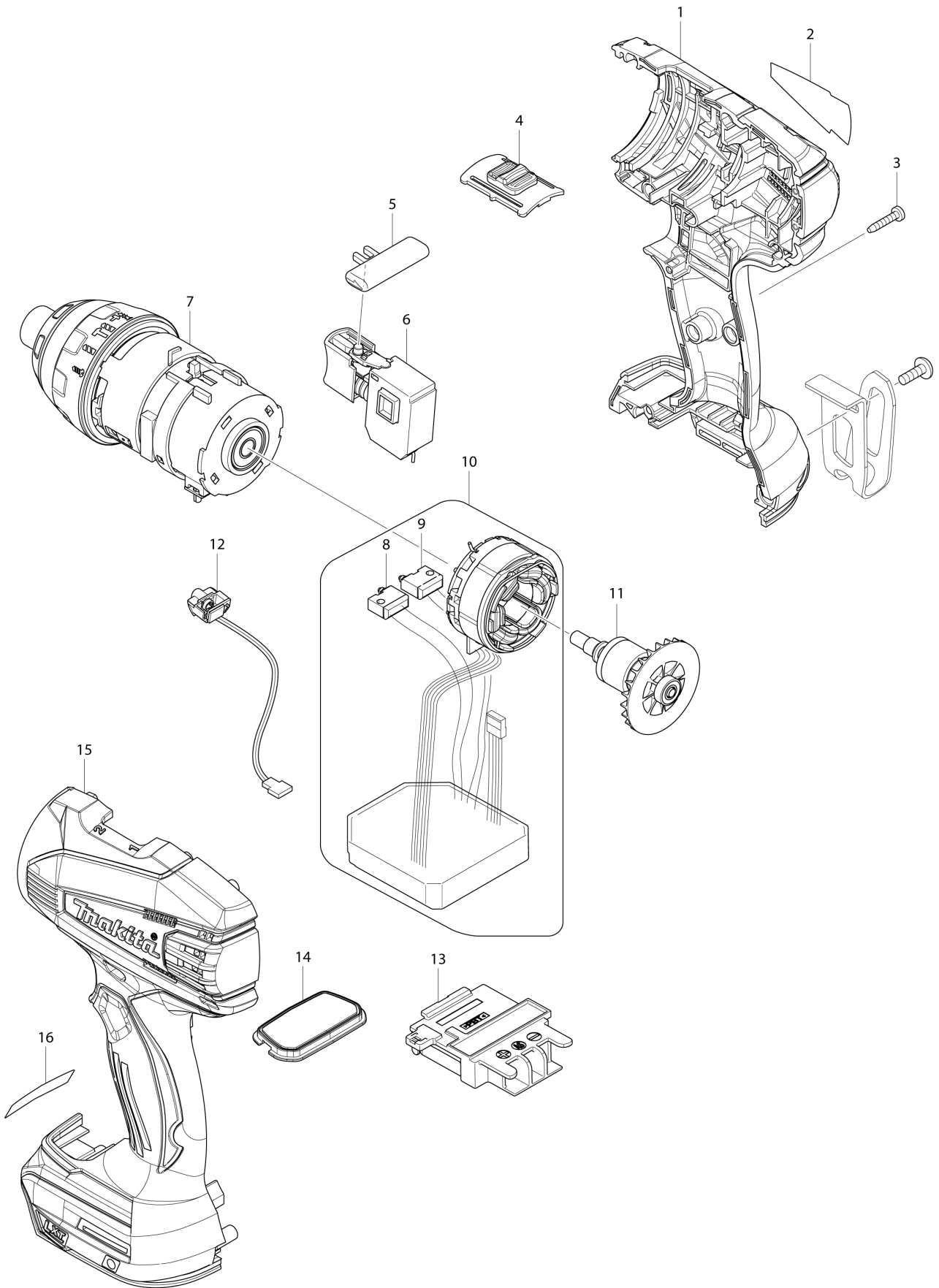
Diagram / Parts List

DTP141

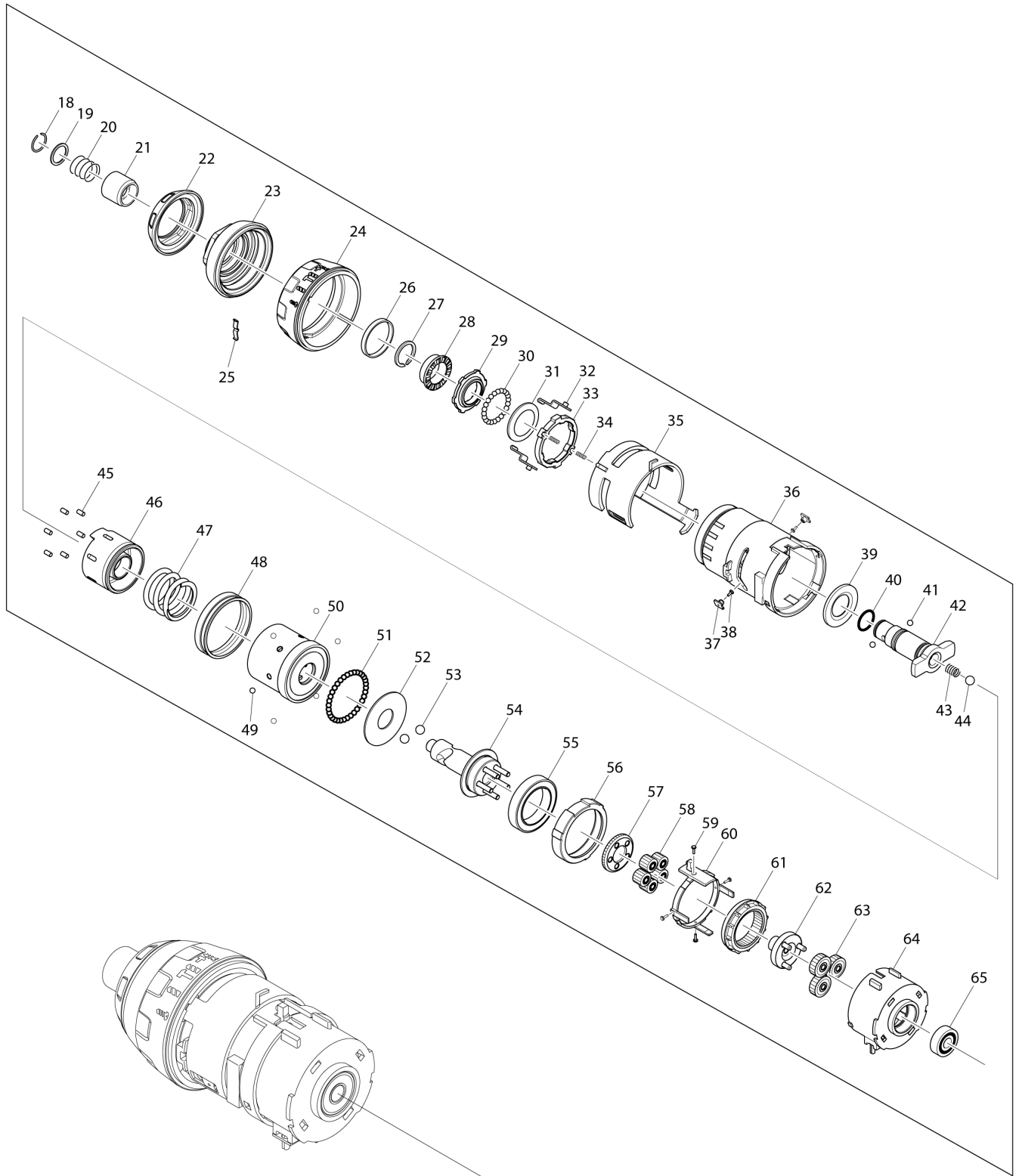
CORDLESS 4 MODE IMPACT DRIVER



(VN) DTP141 / CORDLESS 4 MODE IMPACT DRIVER



(VN) DTP141 / CORDLESS 4 MODE IMPACT DRIVER



VN	VIETNAM
-----------	----------------

DTP141 / CORDLESS 4 MODE IMPACT DRIVER

Item	Sub	Parts No.	Parts Description	Qty	I/C	E/C No.	Close No.	Remark
001		187269-4	HOUSING SET	1				
	C10	263005-3	RUBBER PIN 6	2				
	D10		INC. 15					
002		815U19-0	DTP141 NAME PLATE	1				
003		266130-9	TAPPING SCREW BIND PT 3X16	9				
004		126105-9	SPEED CHANGE LEVER ASSEMBLY	1				
	C10	234232-9	COMPRESSION SPRING 3	2				
005		419041-9	F/R CHANGE LEVER	1				
006		650673-5	SWITCH C3JW-1A	1				
007		126340-9	IMPACT ASSEMBLY N	1				
	D10		INC. 18-65					
008		638958-9	SWITCH UNIT	1				
009		638959-7	SWITCH UNIT	1				
010		638899-9	STATOR COMPLETE	1				
	D10		INC. 8,9					
011		619292-6	ROTOR	1				
012		620092-9	LED CIRCUIT	1				
013		643860-3	TERMINAL	1				
014		141268-0	SWITCH PLATE COMPLETE	1				
015		187269-4	HOUSING SET	1				
	C10	263005-3	RUBBER PIN 6	2				
	D10		INC. 1					
018		231951-8	RING SPRING 11	1				
019		267085-1	FLAT WASHER 12	1				
020		233005-7	COMPRESSION SPRING 13	1				
021		324420-7	SLEEVE	1				
022		424485-0	BAMPER	1				
023		135505-2	HAMMER CASE ASS'Y	1				
024		453321-3	CHANGE RING	1				
025		232272-1	LEAF SPRING	1				
026		257809-3	SLEEVE 24	1				
027		961085-0	RETAINING RING WR-15	1				
028		223175-0	CAM A	1				
029		223176-8	CAM B	1				
030		216019-1	STEEL BALL 3	22				
031		267839-6	CUP WASHER	1				
032		346560-1	HAMMER CHANGE PLATE	2				
033		313227-6	HAMMER CHANGE RING	1				
034		234231-1	COMPRESSION SPRING 2	2				
035		453320-5	CHANGE CASE	1				
036		135504-4	GEAR CASE ASS'Y	1				
037		453324-7	PIN GUIDE	2				
038		256537-7	FLAT FILLISTER HD. PIN 1.2-3.5	2				
039		261130-4	NYLON WASHER 15	1				
040		213166-9	O RING 12.5	1				
041		216001-0	STEEL BALL 3.5	2				
042		326125-5	ANVIL N	1				
043		234233-7	COMPRESSION SPRING 5	1				
044		216011-7	STEEL BALL 5.6	1				
045		256272-7	PIN 2.5	6				
046		326123-9	HAMMER	1				
047		234234-5	COMPRESSION SPRING 22	1				
048		331977-1	CHANGE SLEEVE	1				
049		216019-1	STEEL BALL 3	6				
050		326124-7	OUTER HAMMER	1				
051		216019-1	STEEL BALL 3	34				
052		267453-8	FLAT WASHER 14	1				
053		216011-7	STEEL BALL 5.6	2				
054		142037-2	SPINDLE COMPLETE	1				
055		211379-6	BALL BEARING 6805LLB	1				
056		453325-5	BEARING CASE	1				
057		227319-4	SPUR GEAR 41	1				
058		227320-9	SPUR GEAR 14B	5				
059		268266-0	FLAT FILLISTER HD. PIN 1.2	4				
060		453323-9	CHANGE LEVER	1				

B:DTP141RTE(H)

Interchange

O : Yes

X : No

< : the new part can be substituted for the current.

> : the current part can be substituted for the new.

S : Interchangeable as a set.

