



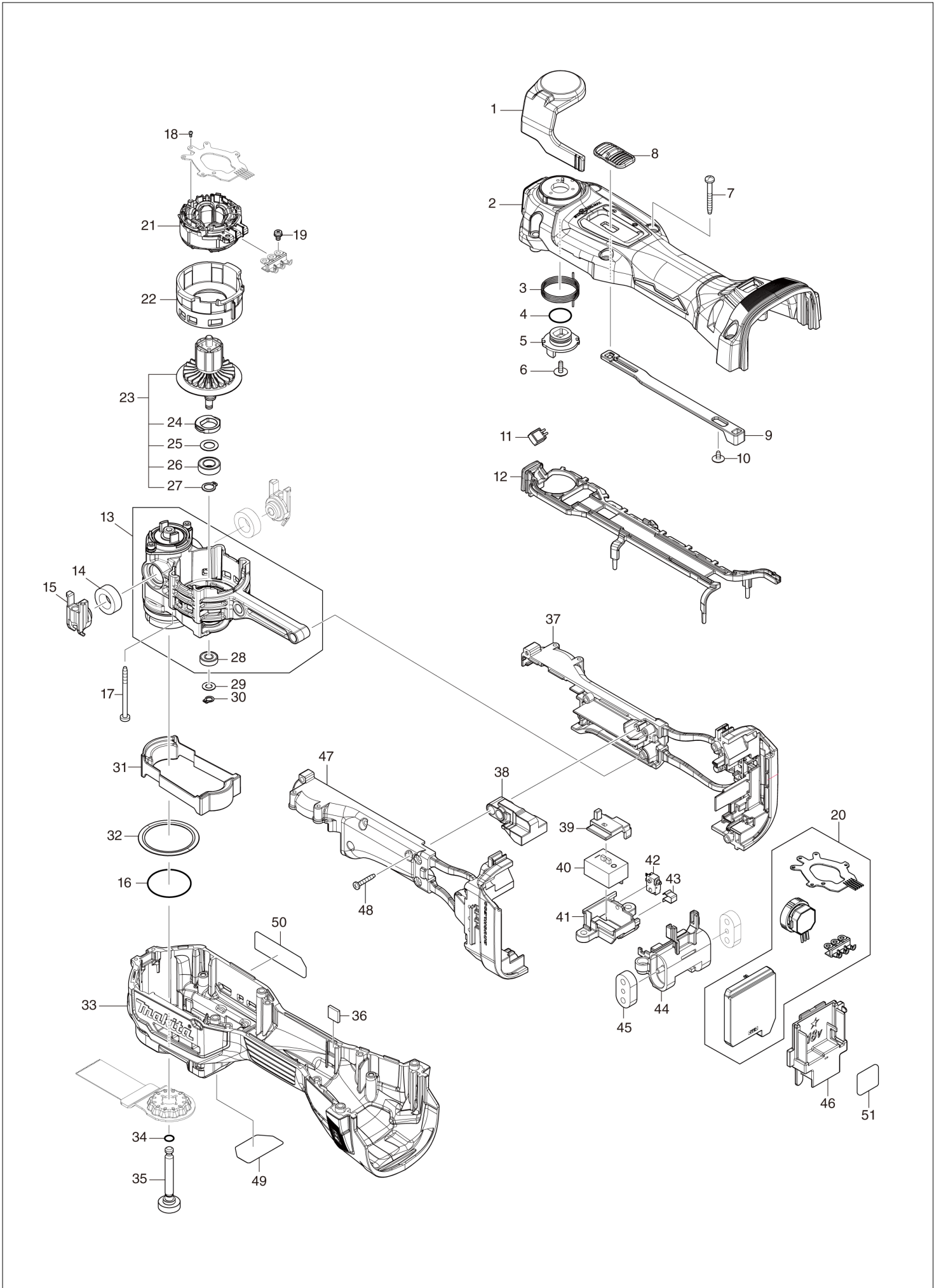
VN	VIETNAM
----	---------

Diagram / Parts List

DTM52

CORDLESS MULTI TOOL

(VN) DTM52 / CORDLESS MULTI TOOL



VN	VIETNAM
-----------	----------------

DTM52 / CORDLESS MULTI TOOL

Item	Sub	Parts No.	Parts Description	Qty	I/C	E/C No.	Close No.	Remark
001		140Y95-2	LEVER COMPLETE	1				
	C10	263032-0	RUBBER PIN 4	1				
002		183S78-3	HOUSING SET	1				
	D10		INC. 33,36					
003		232680-6	TORSION SPRING 25	1				
004		213070-2	O RING 10	1				
005		313364-6	DRIVER B	1				
006		265B82-3	P.H.SCREW M3X10 WITH WR	1				
007		266351-3	TAPPING SCREW 4X35	8				
008		413395-6	SWITCH KNOB	1			DC352	
008-1		413G34-0	SWITCH KNOB	1	<	DC352		
009		413396-4	SWITCH LEVER A	1				
010		265B81-5	TAPPING SCREW FLANGE 3X6	1				
011		620E79-1	LED CIRCUIT	1				
012		413400-9	LED GUIDE	1				
013		136394-8	CRANK HOUSING ASSY	1			DB503	
	D10		INC. 28				DB503	
013-1		136529-1	CRANK HOUSING ASS'Y	1	<	DB503		
	D10		INC. 28			DB503		
014		422677-5	CUSHION F	2				
015		413401-7	CUSSION SUPPORT F	2				
016		213497-6	O-RING 31.5	1				
017		266327-0	TAPPING SCREW 3X40	4				
018		266490-9	TAPPING SCREW PT 2X6	3				
019		652069-6	FLAT HEAD SCREW M3X6	3				
020		620E78-3	CONTROLLER	1				
021		629A56-6	STATOR	1				
022		413394-8	MOTOR HOUSING	1				
023		519683-0	ROTOR ASSY	1				
	C10	210248-8	BALL BEARING 6901DDW	1				
	C20	253492-4	FLAT WASHER 21	1				
	D10		INC. 24-27					
024		313361-2	BALANCER	1				
025		253777-8	FLAT WASHER 8	1				
026		210249-6	BALL BEARING 688LLU	1				
027		961004-6	RETAINING RING S-8	1				
028		210039-7	BALL BEARING 695DDW	1				
029		253811-4	FLAT WASHER 5	1				
030		961008-8	RETAINING RING S-5	1				
031		422721-8	CAP	1				
032		422682-2	RUBBER RING 35	1				
033		183S78-3	HOUSING SET	1				
	D10		INC. 2,36					
034		213032-0	O RING 4	1				
035		327769-4	HOLDER BOLT	1				
036		422679-1	CUSHION M	2				
037		183S69-4	INNER HOUSING SET	1				
	D10		INC. 47					
038		313365-4	WEIGHT	1				
039		413397-2	SWITCH LEVER B	1				
040		650000-6	SWITCH BSW-1125A-17	1				
041		413398-0	SWITCH BASE	1			DB914	
041-1		413G11-2	SWITCH BASE	1	<	DB914		
042		632S34-5	SWITCH UNIT	1				
043		232706-4	LEAF SPRING	1				
044		413399-8	SWITCH COVER	1				
045		422678-3	CUSHION R	2				
046		643874-2	TERMINAL	1				
047		183S69-4	INNER HOUSING SET	1				
	D10		INC. 37					
048		265935-4	TAPPING SCREW 3X20	8				
049		8032F3-5	INDICATION LABEL	1				
050		811E24-9	DTM52 NAME PLATE	1				
051		811E32-0	DTM52 SERIAL NO. LABEL	1				
A01B		191R02-6	DUST ATTACHMENT SET	1				

B:DTM52RTJX1(H)
C:DTM52RTJX2(H)

Interchange
O : Yes
X : No
< : the new part can be substituted for the current.
> : the current part can be substituted for the new.
S : Interchangeable as a set.

