



VN	VIETNAM
----	---------

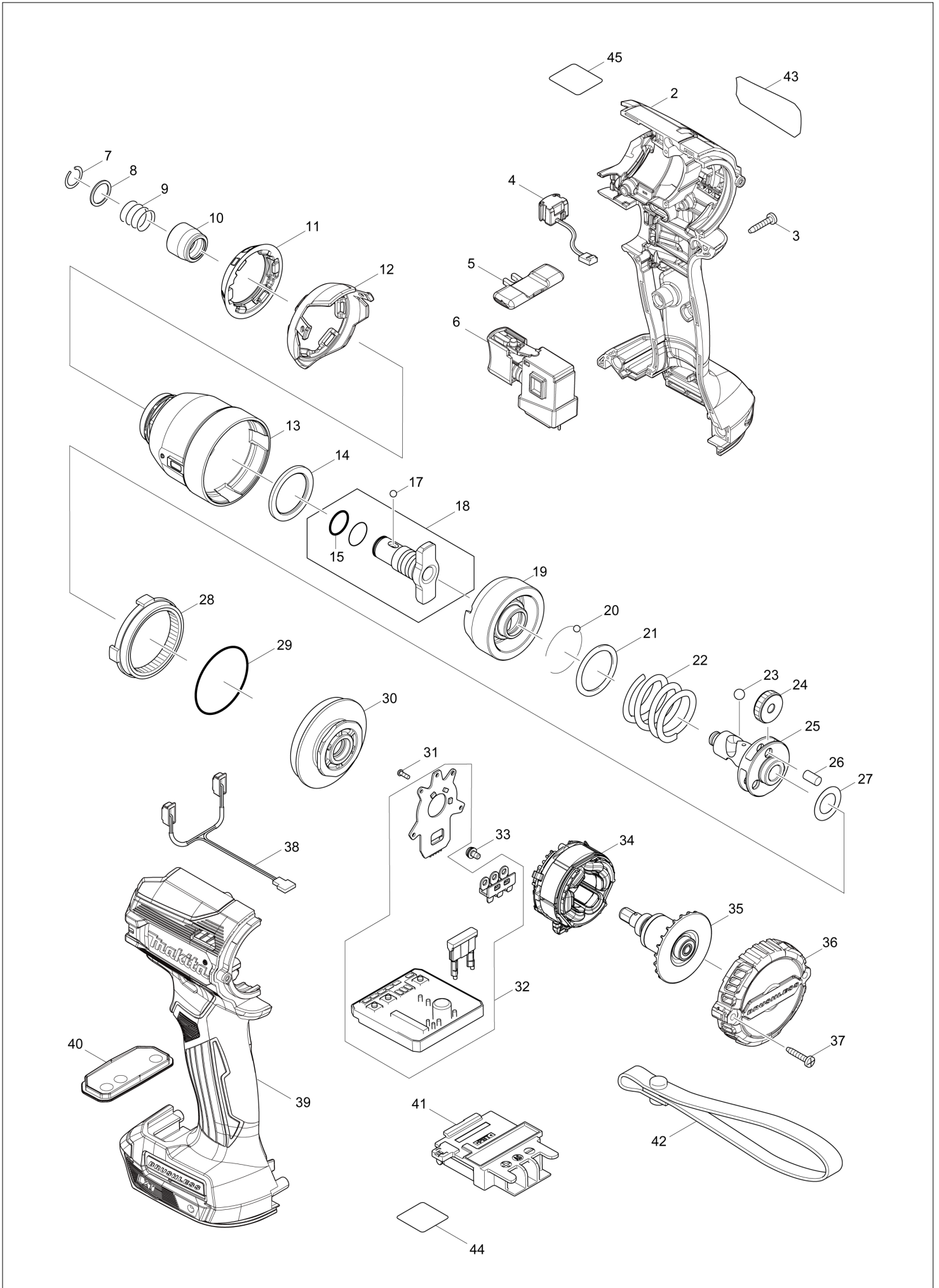
Diagram / Parts List

DTD171

CORDLESS IMPACT DRIVER



(VN) DTD171 / CORDLESS IMPACT DRIVER



VN	VIETNAM
-----------	----------------

DTD171 / CORDLESS IMPACT DRIVER

Item	Sub	Parts No.	Parts Description	Qty	I/C	E/C No.	Close No.	Remark
002A		183K87-4	HOUSING SET	1			C9582	
	C10	263005-3	RUBBER PIN 6	2			C9582	
	C20	252126-6	HEX. LOCK NUT M4-7	2			C9582	
	D10		INC. 39				C9582	
002B		183K87-4	HOUSING SET	1			C9582	
	C10	263005-3	RUBBER PIN 6	2			C9582	
	C20	252126-6	HEX. LOCK NUT M4-7	2			C9582	
	D10		INC. 39				C9582	
002C		183K87-4	HOUSING SET	1			C9582	
	C10	263005-3	RUBBER PIN 6	2			C9582	
	C20	252126-6	HEX. LOCK NUT M4-7	2			C9582	
	D10		INC. 39				C9582	
002-1A		183N06-8	HOUSING SET	1	<	C9582		
	C10	263005-3	RUBBER PIN 6	2		C9582		
	C20	252126-6	HEX. LOCK NUT M4-7	2		C9582		
	D10		INC. 39			C9582		
002-1B		183N06-8	HOUSING SET	1	<	C9582		
	C10	263005-3	RUBBER PIN 6	2		C9582		
	C20	252126-6	HEX. LOCK NUT M4-7	2		C9582		
	D10		INC. 39			C9582		
002-1C		183N06-8	HOUSING SET	1	<	C9582		
	C10	263005-3	RUBBER PIN 6	2		C9582		
	C20	252126-6	HEX. LOCK NUT M4-7	2		C9582		
	D10		INC. 39			C9582		
002-1D		183N09-2	HOUSING SET	1				
	C10	263005-3	RUBBER PIN 6	2				
	C20	252126-6	HEX. LOCK NUT M4-7	2				
	D10		INC. 39					
002-1E		183N09-2	HOUSING SET	1				
	C10	263005-3	RUBBER PIN 6	2				
	C20	252126-6	HEX. LOCK NUT M4-7	2				
	D10		INC. 39					
002-1F		183N07-6	HOUSING SET	1				
	C10	263005-3	RUBBER PIN 6	2				
	C20	252126-6	HEX. LOCK NUT M4-7	2				
	D10		INC. 39					
002-1G		183N07-6	HOUSING SET	1				
	C10	263005-3	RUBBER PIN 6	2				
	C20	252126-6	HEX. LOCK NUT M4-7	2				
	D10		INC. 39					
003		266130-9	TAPPING SCREW BIND PT 3X16	8				
004		632L84-8	SWITCH UNIT	1				
005		455053-8	F/R CHANGE LEVER	1				
006		140B49-1	SWITCH COMPLETE	1				
	C10	424496-5	SEAL	1				
007		231951-8	RING SPRING 11	1				
008		267085-1	FLAT WASHER 12	1				
009		233005-7	COMPRESSION SPRING 13	1				
010		326072-0	BIT SLEEVE	1				
011		422269-0	BUMPER	1				
012		458484-0	HAMMER CASE COVER	1				
013		140A51-8	HAMMER CASE COMPLETE	1				
014		261160-5	NYLON WASHER 30	1				
015		213118-0	O RING 12	2				
017		216001-0	STEEL BALL 3.5	2			D0295	
017-1		216040-0	STEEL BALL 3.5	2	O	D0295		
018		136063-1	ANVIL ASS'Y	1				
	D10		INC. 15					
019		327114-3	HAMMER	1			D4766	
019-1		327750-5	HAMMER	1	O	D4766		
020		216001-0	STEEL BALL 3.5	24			D0295	
020-1		216040-0	STEEL BALL 3.5	24	O	D0295		
021		267175-0	FLAT WASHER 24	1				
022		232459-5	COMPRESSION SPRING 24B	1				
023		216011-7	STEEL BALL 5.6	2				

A:DTD171Z(N)
 B:DTD171RFJ(H)
 C:DTD171RTJ(H)
 D:DTD171ZAR(N)
 E:DTD171TJAR(H)
 F:DTD171ZB(N)

G:DTD171TJB(H)

Interchange
 O : Yes
 X : No
 < : the new part can be substituted for the current.
 > : the current part can be substituted for the new.
 S : Interchangeable as a set.

VN	VIETNAM
-----------	----------------

DTD171 / CORDLESS IMPACT DRIVER

Item	Sub	Parts No.	Parts Description	Qty	I/C	E/C No.	Close No.	Remark
024		227338-0	SPUR GEAR 22	3				
025		327113-5	SPINDLE	1			D4766	
025-1		327751-3	SPINDLE	1	O	D4766		
026		268311-1	PIN 5	3				
027A		253314-8	THIN WASHER 15	1			C8317	
027B		253314-8	THIN WASHER 15	1			C8317	
027C		253314-8	THIN WASHER 15	1			C8317	
027-1A		253445-3	FLAT WASHER 15	1	O	C8317		
027-1B		253445-3	FLAT WASHER 15	1	O	C8317		
027-1C		253445-3	FLAT WASHER 15	1	O	C8317		
027-1D		253445-3	FLAT WASHER 15	1				
027-1E		253445-3	FLAT WASHER 15	1				
027-1F		253445-3	FLAT WASHER 15	1				
027-1G		253445-3	FLAT WASHER 15	1				
028		226182-2	INTERNAL GEAR 51	1				
029		213507-9	O RING 40	1				
030		143976-9	BEARING BOX COMPLETE	1				
031		266490-9	TAPPING SCREW PT 2X6	3				
032		620848-0	CONTROLLER	1			D1699	
032-1		620D48-6	CONTROLLER	1	O	D1699		
033		652069-6	FLAT HEAD SCREW M3X6	3				
034		629217-2	STATOR	1				
035		619408-3	ROTOR	1				
036A		458478-5	REAR COVER	1				
036B		458478-5	REAR COVER	1				
036C		458478-5	REAR COVER	1				
036D		458481-6	REAR COVER	1				
036E		458481-6	REAR COVER	1				
036F		458479-3	REAR COVER	1				
036G		458479-3	REAR COVER	1				
037		266130-9	TAPPING SCREW BIND PT 3X16	2				
038		620849-8	LED CIRCUIT	1				
039A		183K87-4	HOUSING SET	1			C9582	
	C10	263005-3	RUBBER PIN 6	2			C9582	
	C20	252126-6	HEX. LOCK NUT M4-7	2			C9582	
	D10		INC. 2				C9582	
039B		183K87-4	HOUSING SET	1			C9582	
	C10	263005-3	RUBBER PIN 6	2			C9582	
	C20	252126-6	HEX. LOCK NUT M4-7	2			C9582	
	D10		INC. 2				C9582	
039C		183K87-4	HOUSING SET	1			C9582	
	C10	263005-3	RUBBER PIN 6	2			C9582	
	C20	252126-6	HEX. LOCK NUT M4-7	2			C9582	
	D10		INC. 2				C9582	
039-1A		183N06-8	HOUSING SET	1	<	C9582		
	C10	263005-3	RUBBER PIN 6	2		C9582		
	C20	252126-6	HEX. LOCK NUT M4-7	2		C9582		
	D10		INC. 2			C9582		
039-1B		183N06-8	HOUSING SET	1	<	C9582		
	C10	263005-3	RUBBER PIN 6	2		C9582		
	C20	252126-6	HEX. LOCK NUT M4-7	2		C9582		
	D10		INC. 2			C9582		
039-1C		183N06-8	HOUSING SET	1	<	C9582		
	C10	263005-3	RUBBER PIN 6	2		C9582		
	C20	252126-6	HEX. LOCK NUT M4-7	2		C9582		
	D10		INC. 2			C9582		
039-1D		183N09-2	HOUSING SET	1				
	C10	263005-3	RUBBER PIN 6	2				
	C20	252126-6	HEX. LOCK NUT M4-7	2				
	D10		INC. 2					
039-1E		183N09-2	HOUSING SET	1				
	C10	263005-3	RUBBER PIN 6	2				
	C20	252126-6	HEX. LOCK NUT M4-7	2				
	D10		INC. 2					
039-1F		183N07-6	HOUSING SET	1				

A:DTD171Z(N) G:DTD171TJB(H)
 B:DTD171RFJ(H)
 C:DTD171RTJ(H)
 D:DTD171ZAR(N)
 E:DTD171TJAR(H)
 F:DTD171ZB(N)

Interchange
 O : Yes
 X : No
 < : the new part can be substituted for the current.
 > : the current part can be substituted for the new.
 S : Interchangeable as a set.

