



VN	VIETNAM
----	---------

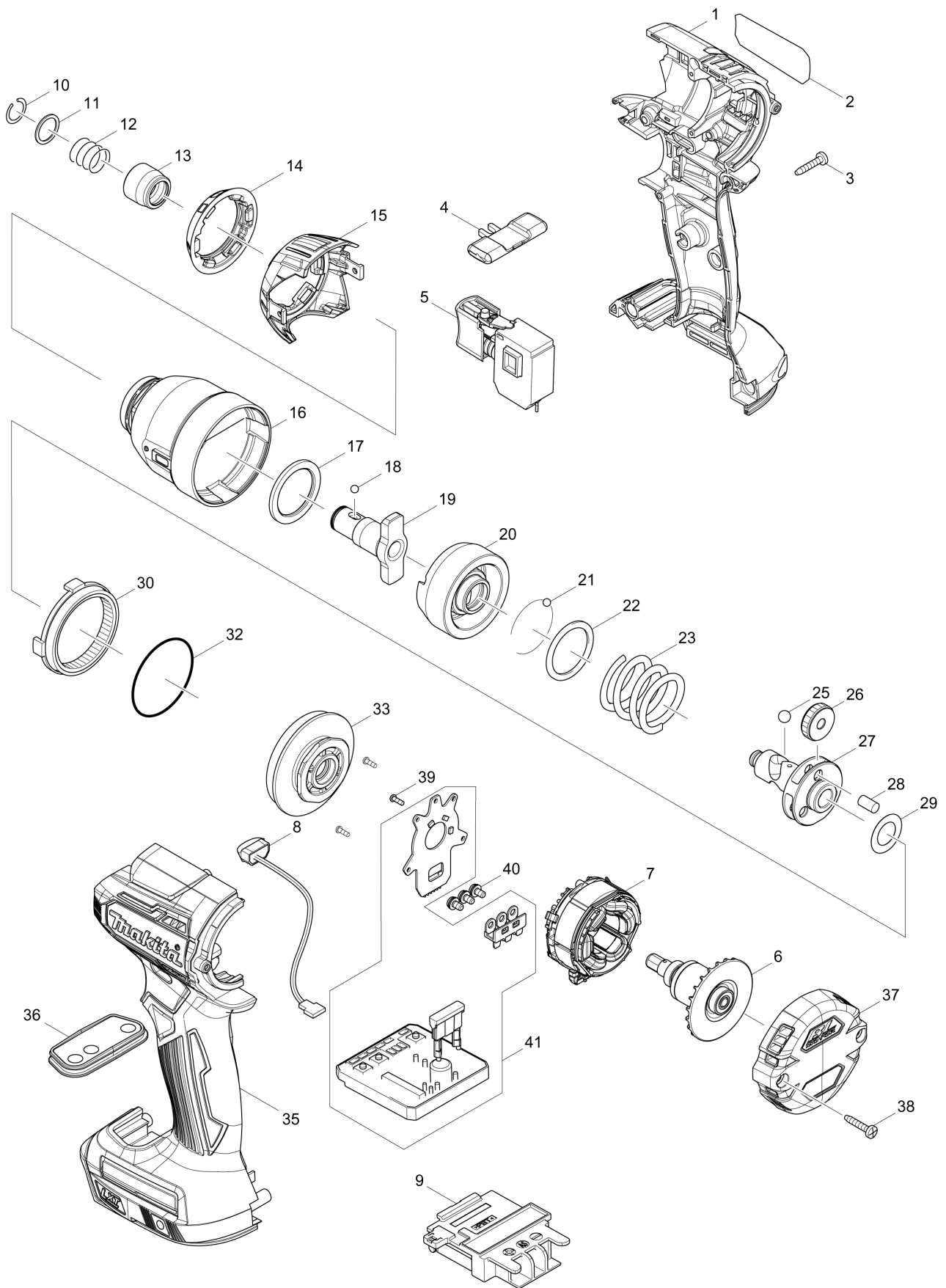
Diagram / Parts List

DTD170

CORDLESS IMPACT DRIVER



(VN) DTD170 / CORDLESS IMPACT DRIVER



VN	VIETNAM
-----------	----------------

DTD170 / CORDLESS IMPACT DRIVER

Item	Sub	Parts No.	Parts Description	Qty	I/C	E/C No.	Close No.	Remark
001		183E39-9	HOUSING SET	1				
	C10	263005-3	RUBBER PIN 6	2				
	D10		INC. 35					
002		852N52-9	DTD170 NAME PLATE	1			D2833	
002-1		857J20-3	DTD170 NAME PLATA	1	S	D2833		
003		266130-9	TAPPING SCREW BIND PT 3X16	8				
004		455053-8	F/R CHANGE LEVER	1				
005		650772-3	SWITCH	1				
006		619419-8	ROTOR	1			Z39162	
006-1		619408-3	ROTOR	1	O	Z39162		
007		629217-2	STATOR	1				
008		620521-2	LED CIRCUIT	1				
009		643860-3	TERMINAL	1				
010		231951-8	RING SPRING 11	1				
011		267085-1	FLAT WASHER 12	1				
012		233005-7	COMPRESSION SPRING 13	1				
013		326072-0	BIT SLEEVE	1				
014		424828-6	BUMPER	1				
015		456710-1	HAMMER CASE COVER	1				
016		143718-1	HAMMER CASE COMPLETE	1			B8277	
016-1		144787-5	HAMMER CASE COMPLETE	1	<	B8277		
017		261155-8	NYLON WASHER 24	1				
018		216001-0	STEEL BALL 3.5	2			D0295	
018-1		216040-0	STEEL BALL 3.5	2	O	D0295		
019		326507-1	ANVIL N	1				
020		326711-2	HAMMER	1			Z39162	
020-1		327155-9	HAMMER	1	O	Z39162		
021		216001-0	STEEL BALL 3.5	24			D0295	
021-1		216040-0	STEEL BALL 3.5	24	O	D0295		
022		267175-0	FLAT WASHER 24	1				
023		234331-7	COMPRESSION SPRING 24	1				
025		216011-7	STEEL BALL 5.6	2			Z39162	
025-1		216041-8	STEEL BALL 5.6	2	O	Z39162		
026		227338-0	SPUR GEAR 22	3				
027		326710-4	SPINDLE	1			Z39162	
027-1		326783-7	SPINDLE	1	O	Z39162		
028		268311-1	PIN 5	3				
029		253314-8	THIN WASHER 15	1				
030		227351-8	INTERNAL GEAR 51	1			Z39162	
030-1		221457-4	INTERNAL GEAR 51	1	O	Z39162		
032		213507-9	O RING 40	1				
033		143719-9	BEARING BOX COMPLETE	1			Z39162	
033-1		143976-9	BEARING BOX COMPLETE	1	O	Z39162		
035		183E39-9	HOUSING SET	1				
	C10	263005-3	RUBBER PIN 6	2				
	D10		INC. 1					
036		143721-2	SWITCH PLATE COMPLETE	1				
037		456711-9	REAR COVER	1				
038		266130-9	TAPPING SCREW BIND PT 3X16	2				
039		266490-9	TAPPING SCREW PT 2X6	3				
040		652069-6	FLAT HEAD SCREW M3X6	3				
041		620520-4	CONTROLLER	1			C0482	
041-1		620893-5	CONTROLLER	1	<	C0482		
042		857J21-1	DTD170 SERIAL NO. LABEL	1	S	D2833		
A01		266622-8	+ TRUSS HEAD SCREW M4X12	1				
A02		346317-0	HOOK	1				
A03B		450128-8	BATTERY COVER	1				
A03C		450128-8	BATTERY COVER	1				
A03D		450128-8	BATTERY COVER	1				
A04B		***DC18RC	DC18RC FAST CHARGER	1				
A04C		***DC18RC	DC18RC FAST CHARGER	1				
A04D		***DC18RC	DC18RC FAST CHARGER	1				
A05B		197600-6	BATTERY BL1830B SET	2			C4176	
A05C		197265-4	BATTERY BL1840B SET	2			C5218	
A05D		197280-8	BATTERY BL1850B SET	2			C5219	

A:DTD170Z(N)
 B:DTD170RFE(H)
 C:DTD170RME(H)
 D:DTD170RTE(H)

Interchange
 O : Yes
 X : No
 < : the new part can be substituted for the current.
 > : the current part can be substituted for the new.
 S : Interchangeable as a set.

