



VN	VIETNAM
----	---------

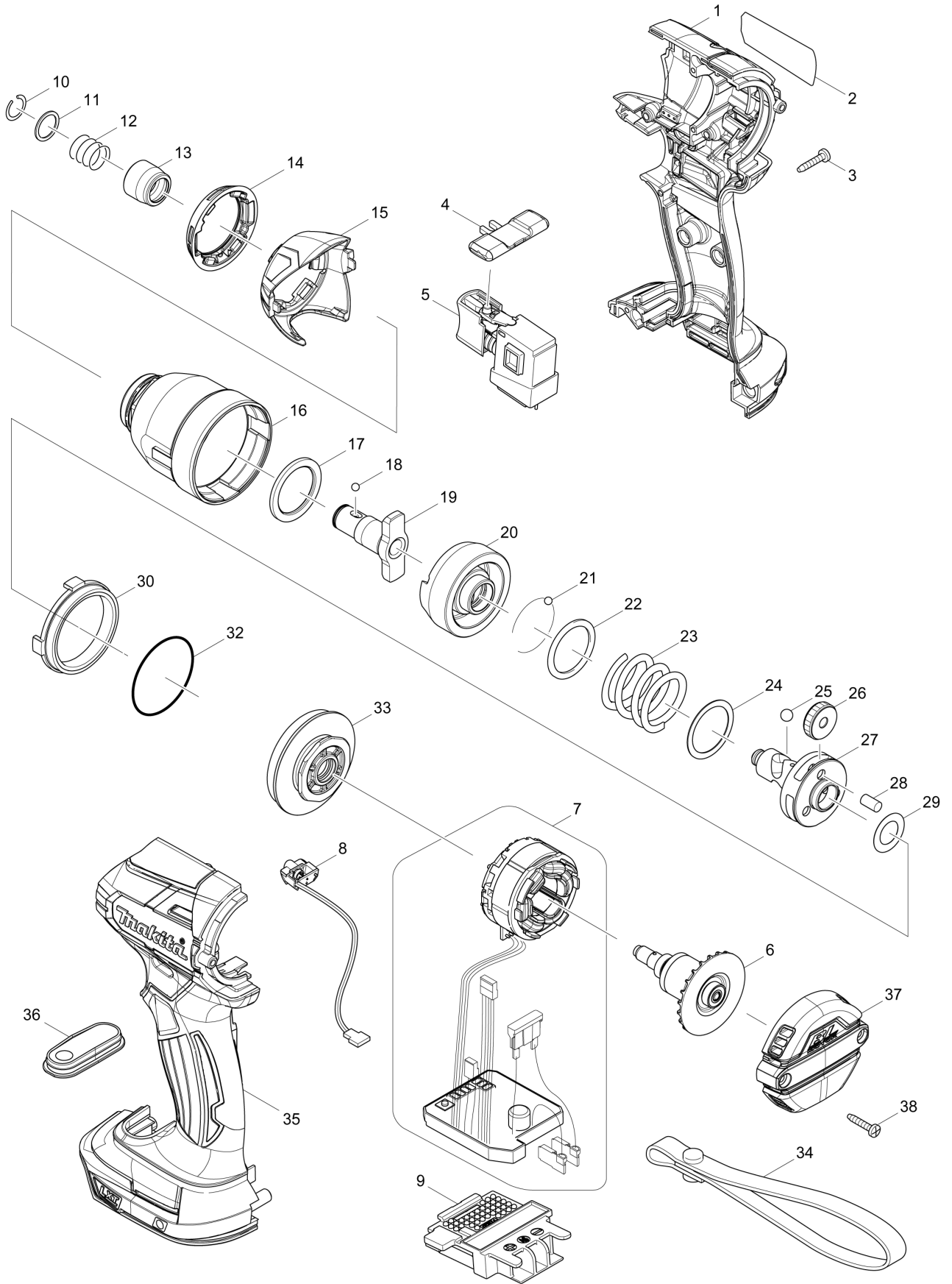
# Diagram / Parts List

**DTD137**

**CORDLESS IMPACT DRIVER**



(VN) DTD137 / CORDLESS IMPACT DRIVER



<b>VN</b>	<b>VIETNAM</b>
-----------	----------------

### DTD137 / CORDLESS IMPACT DRIVER

Item	Sub	Parts No.	Parts Description	Qty	I/C	E/C No.	Close No.	Remark
001		187972-7	HOUSING SET	1				
	C10	263005-3	RUBBER PIN 6	2				
	D10		INC. 35					
002		850D06-0	DTD137 NAME PLATE	1				
003		266130-9	TAPPING SCREW BIND PT 3X16	8				
004		455053-8	F/R CHANGE LEVER	1				
005		141448-8	SWITCH COMPLETE	1				
006		619343-5	ROTOR	1				
007		632D60-4	STATOR UNIT	1				
008		620294-7	LED CIRCUIT	1				
009		643850-6	TERMINAL	1				
010		231951-8	RING SPRING 11	1				
011		267085-1	FLAT WASHER 12	1				
012		233005-7	COMPRESSION SPRING 13	1				
013		326072-0	BIT SLEEVE	1				
014		424627-6	BUMPER	1				
015		455051-2	HAMMER CASE COVER	1				
016		142516-0	HAMMER CASE COMPLETE	1			B8277	
016-1		144788-3	HAMMER CASE COMPLETE	1	<	B8277		
017		261155-8	NYLON WASHER 24	1				
018		216001-0	STEEL BALL 3.5	2				
019A		326430-0	ANVIL N	1			A6100	
019B		326430-0	ANVIL N	1			A6100	
019-1A		326507-1	ANVIL N	1	<	A6100		
019-1B		326507-1	ANVIL N	1	<	A6100		
019-1C		326507-1	ANVIL N	1				
020		326412-2	HAMMER	1				
021		216001-0	STEEL BALL 3.5	24				
022		267175-0	FLAT WASHER 24	1				
023		234251-5	COMPRESSION SPRING 25	1				
024		253090-4	FLAT WASHER 24	1				
025		216011-7	STEEL BALL 5.6	2				
026		227338-0	SPUR GEAR 22	3				
027		326411-4	SPINDLE	1				
028		268311-1	PIN 5	3				
029		253314-8	THIN WASHER 15	1				
030		227351-8	INTERNAL GEAR 51	1				
032		213507-9	O RING 40	1				
033		142517-8	BEARING BOX COMPLETE	1				
035		187972-7	HOUSING SET	1				
	C10	263005-3	RUBBER PIN 6	2				
	D10		INC. 1					
036A		141583-2	SWITCH PLATE COMPLETE	1			A5419	
036B		141583-2	SWITCH PLATE COMPLETE	1			A5419	
036-1A		141583-2	SWITCH PLATE COMPLETE	1	<	A5419		
036-1B		141583-2	SWITCH PLATE COMPLETE	1	<	A5419		
036-1C		141583-2	SWITCH PLATE COMPLETE	1				
037		455052-0	REAR COVER	1				
038		266130-9	TAPPING SCREW BIND PT 3X16	2				
A01		266622-8	+ TRUSS HEAD SCREW M4X12	1				
A02		346317-0	HOOK	1				
A03A		450128-8	BATTERY COVER	1				
A03C		450128-8	BATTERY COVER	1				
A04A		***DC18RC	DC18RC FAST CHARGER	1				
A04C		***DC18RC	DC18RC FAST CHARGER	1				
A05A		194065-3	BATTERY BL1430 SET	2			A5785	
A05-1A		194065-3	BATTERY BL1430 SET	2	O	A5785	B2743	
A05-1C		196388-5	BATTERY BL1440 SET	2			C2086	
A05-2A		197616-1	BATTERY BL1430B SET	2	<	B2743	C6747	
A05-2C		196388-5	BATTERY BL1440 SET	2	O	C2086		
A05-3A		197616-1	BATTERY BL1430B SET	2	O	C6747		
A06A		824979-9	PLASTIC CARRYING CASE	1				
A06C		824979-9	PLASTIC CARRYING CASE	1				

A:DTD137RFE(H)  
 B:DTD137Z(N)  
 C:DTD137RME(H)

Interchange  
 O : Yes  
 X : No  
 < : the new part can be substituted for the current.  
 > : the current part can be substituted for the new.  
 S : Interchangeable as a set.