



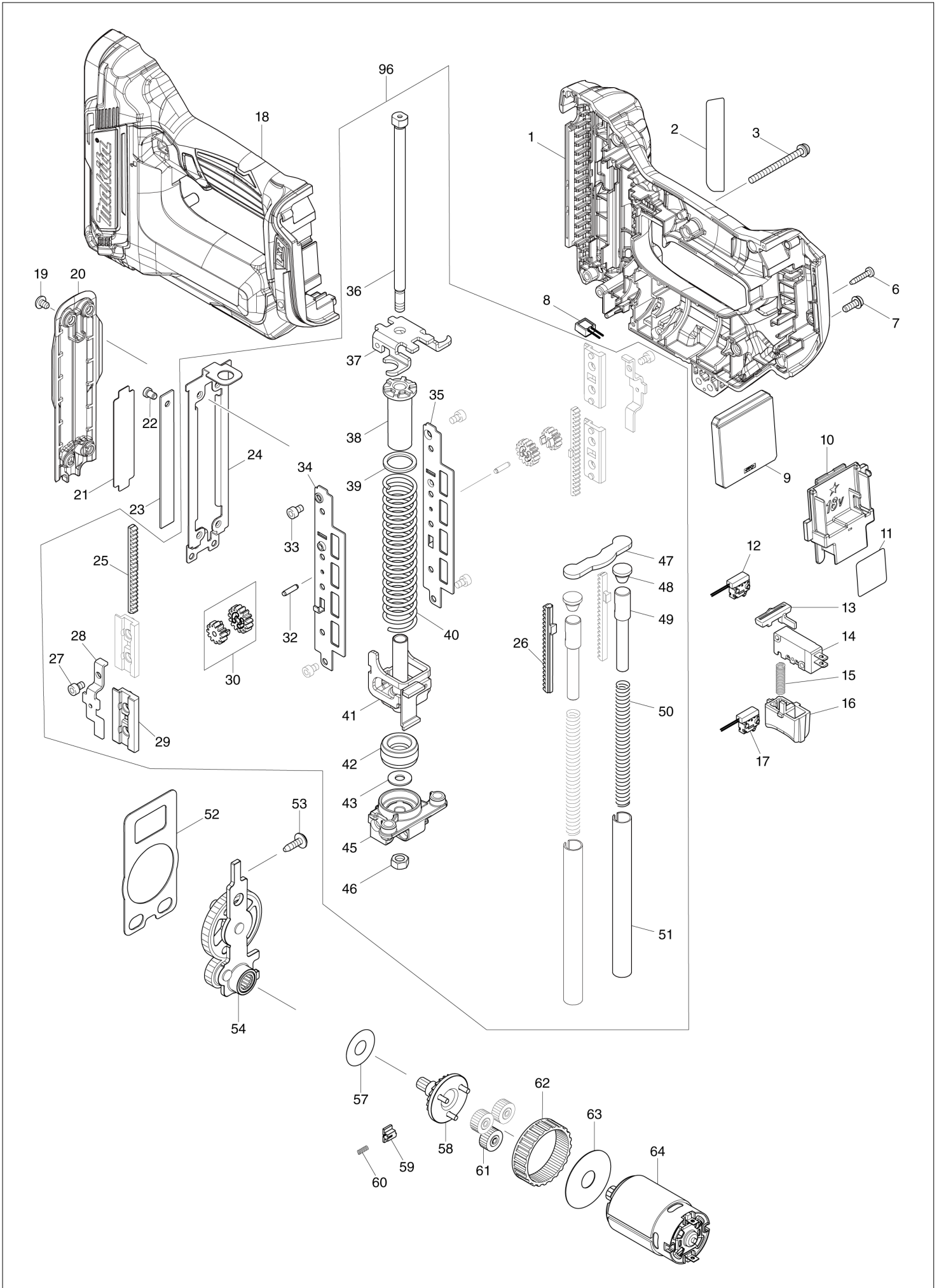
VN	VIETNAM
----	---------

# Diagram / Parts List

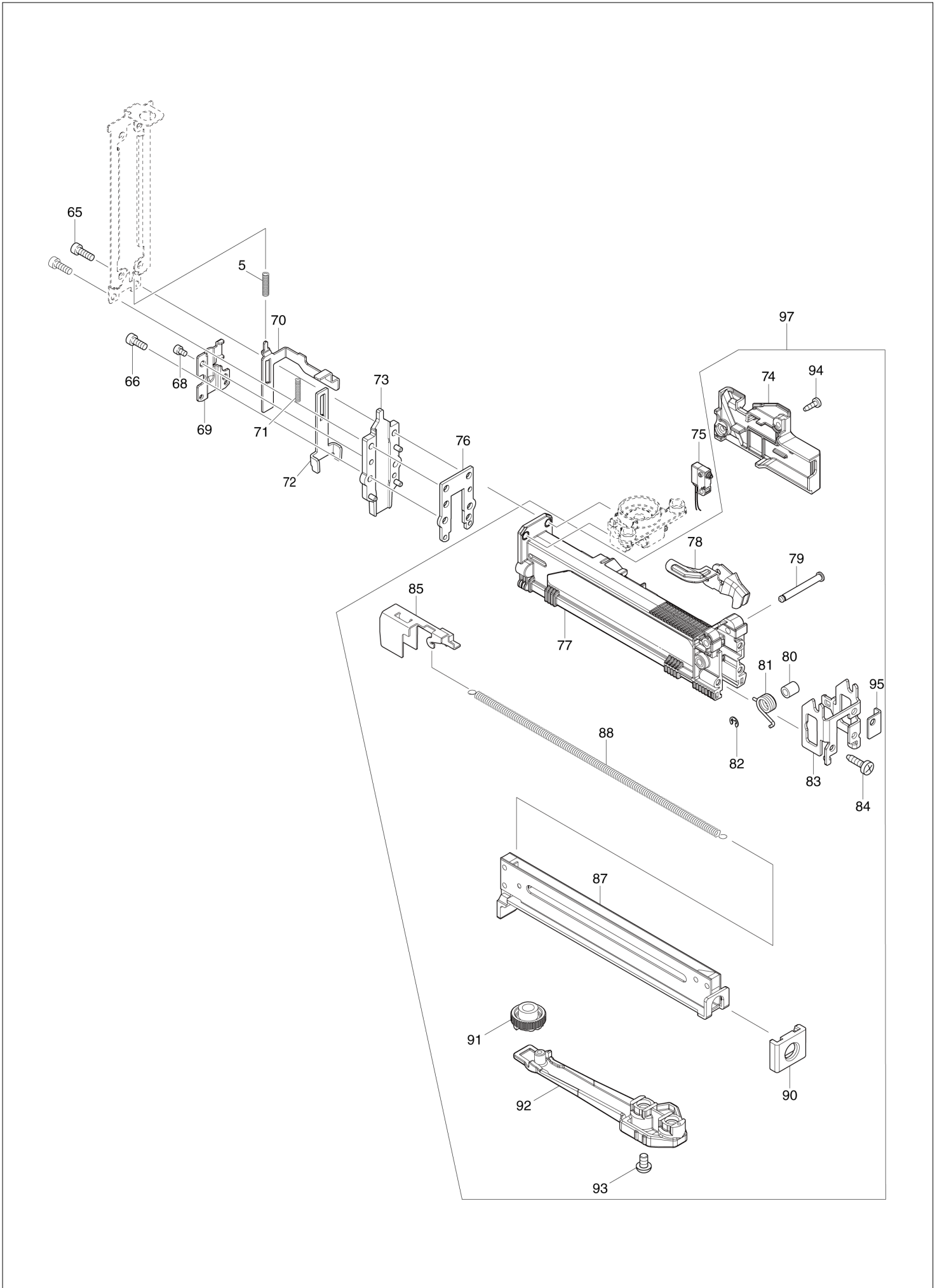
**DST121**

**CORDLESS STAPLER**

# (VN) DST121 / CORDLESS STAPLER



(VN) DST121 / CORDLESS STAPLER



<b>VN</b>	<b>VIETNAM</b>
-----------	----------------

### DST121 / CORDLESS STAPLER

Item	Sub	Parts No.	Parts Description	Qty	I/C	E/C No.	Close No.	Remark
001		183N96-1	HOUSING SET	1				
	C10	263005-3	RUBBER PIN 6	2				
	C20	252126-6	HEX. LOCK NUT M4-7	2				
	C30	931102-0	HEX. NUT M4	1				
	D10		INC. 18					
002		857E80-5	DST121 NAME PLATE	1				
003		911173-3	PAN HEAD SCREW M4X45	1				
005		232608-4	COMPRESSION SPRING 4	1				
006		266130-9	TAPPING SCREW BIND PT 3X16	8				
007		911113-1	PAN HEAD SCREW M4X10 WITH WR	2				
008		620507-6	LED CIRCUIT	1				
009		632P85-0	CONTROLLER UNIT	1				
010		643874-2	TERMINAL	1				
011		857E83-9	DST121 SERIAL NO. LABEL	1				
012		632G60-2	SWITCH UNIT	1				
013		456799-9	TRIGGER LOCK	1				
014		651910-0	SWITCH D2VW-01-3HS	1				
015		232370-1	COMPRESSION SPRING 5	1				
016		457386-7	TRIGGER	1			D5047	
016-1		412772-9	TRIGGER	1	<	D5047		
017		632K06-2	SWITCH UNIT	1				
018		183N96-1	HOUSING SET	1				
	C10	263005-3	RUBBER PIN 6	2				
	C20	252126-6	HEX. LOCK NUT M4-7	2				
	C30	931102-0	HEX. NUT M4	1				
	D10		INC. 1					
019		915101-0	BINDING HEAD SCREW M4X6	4				
020		412495-9	FRONT COVER	1				
021		347528-0	UPPER PLATE	1				
022		256882-0	FLAT FILLISTER HD. PIN 4	1				
023		347715-1	DRIVER	1				
024		347683-8	RAIL	1				
025		310924-5	COUNTER WEIGHT A	2			DB646	
025-1		313421-0	COUNTER WEIGHT A	2	<	DB646		
026		310925-3	COUNTER WEIGHT B	2				
027		251566-5	H.S.H BOLT M4X6 WITH W	2				
028		347146-4	PINION GUIDE	2				
029		457390-6	COUNTER WEIGHT HOLDER	4				
030		136104-3	SPUR GEAR ASSEMBLY	2				
032		326902-5	PINION SHAFT	2				
033		266199-3	HEX.SOCKET HEAD BOLT M4X6	4				
034		347145-6	GUIDE RAIL R	1				
035		347144-8	GUIDE RAIL L	1				
036		326903-3	GUIDE BOLT	1				
037		347728-2	BOTTOM PLATE	1				
038		459311-4	SPRING HOLDER	1				
039		347522-2	SPRING BASE	1				
040		232511-9	COMPRESSION SPRING 17	1				
041		347735-5	HAMMER	1				
042		422457-9	CUSHION	1				
043		253804-1	FLAT WASHER 6	1				
045		319984-4	HOLDER	1				
046		252273-3	HEX. NUT M6	1				
047		347729-0	COUNTER STOPPER	1				
048		422592-3	COUNTER CUSHION	2				
049		327591-9	WEIGHT	2				
050		232630-1	COMPRESSION SPRING 7	2				
051		327592-7	GUIDE PIPE	2				
052		347525-6	GEAR PLATE	1				
053		266901-4	TAPPING SCREW 4X14	1				
054		140K45-3	SPUR GEAR 61 COMPLETE	1			D5317	
054-1		140Y96-0	SPUR GEAR 61 COMPLETE	1	<	D5317		
057		253353-8	THIN WASHER 10	1				
058		140K48-7	SPUR GEAR 8 COMPLETE	1				
059		310945-7	LOCK BLOCK	1				

A:DST121ZK(N)  
B:DST121RFE(H)

Interchange  
O : Yes  
X : No  
< : the new part can be substituted for the current.  
> : the current part can be substituted for the new.  
S : Interchangeable as a set.

