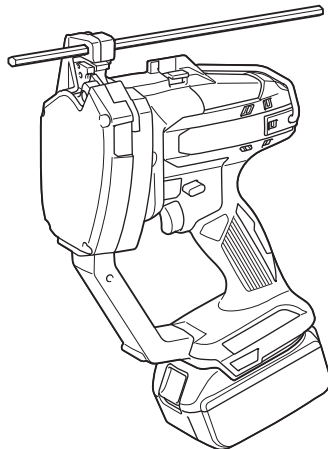
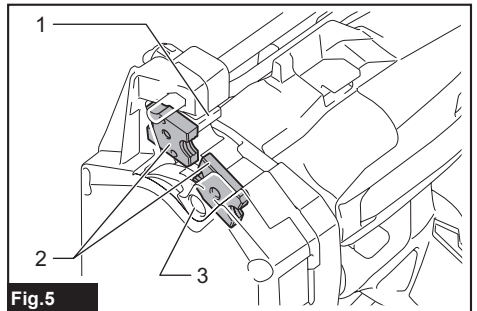
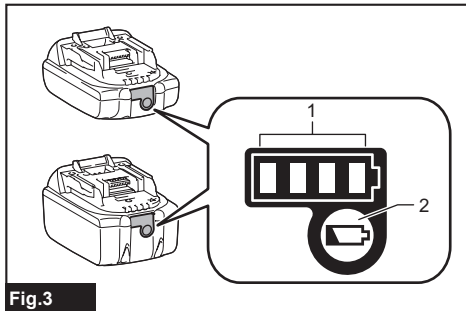
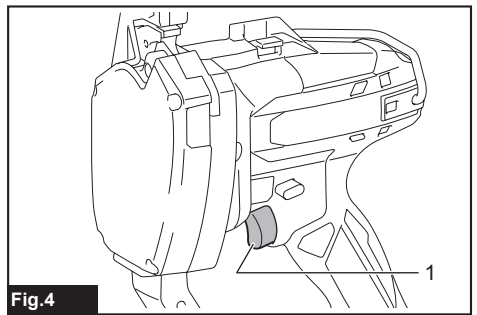
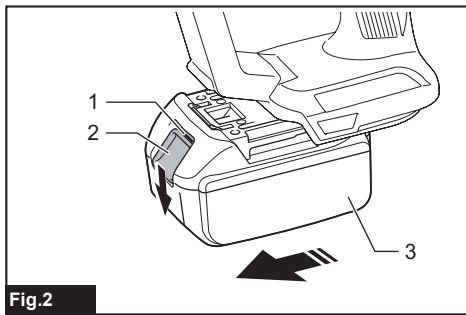
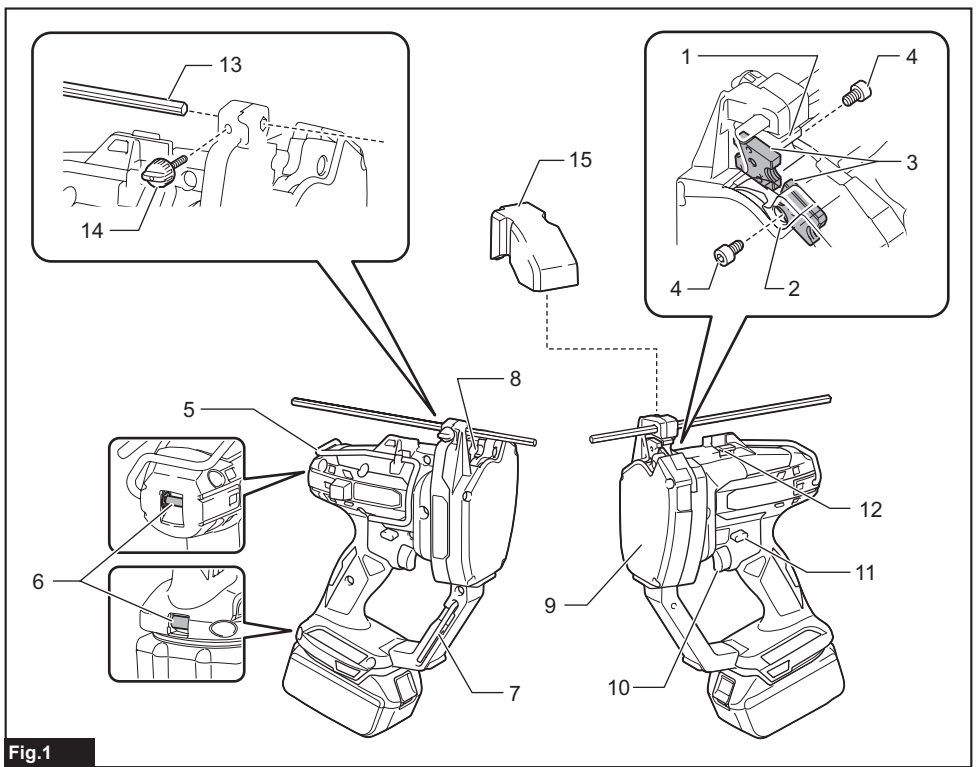


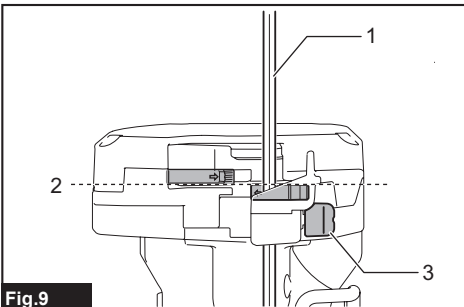
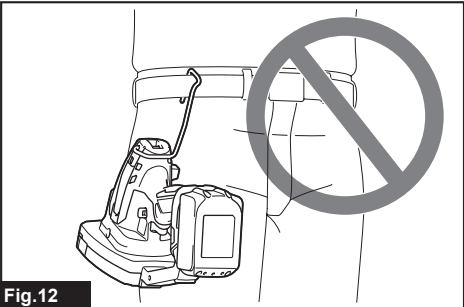
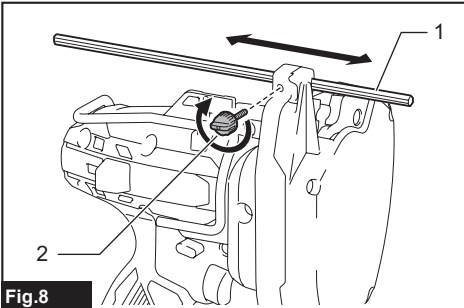
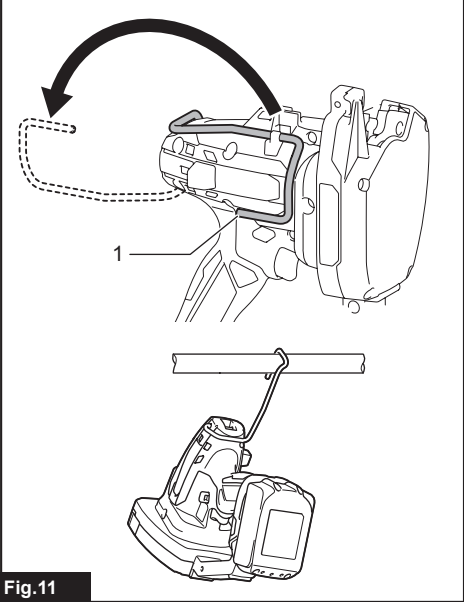
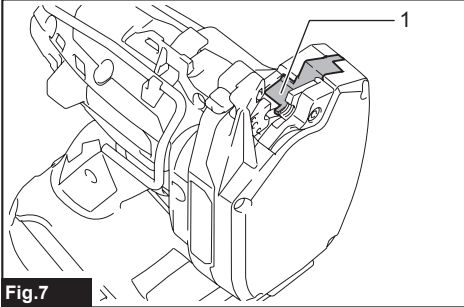
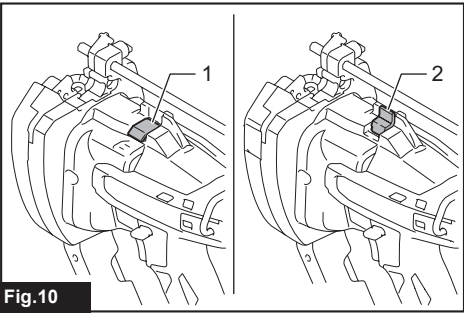
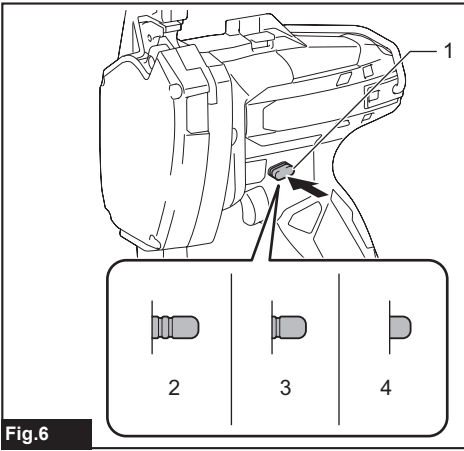


EN	Cordless Threaded Rod Cutter	INSTRUCTION MANUAL	7
ID	Mesin Pemotong Batang Berulir Tanpa Kabel	PETUNJUK PENGGUNAAN	15
VI	Máy Chấn Thép Ren Cẩm Tay Hoạt Động Bằng Pin	TÀI LIỆU HƯỚNG DẪN	24
TH	เครื่องมือตัดเหล็กเกลียวไร้สาย	คู่มือการใช้งาน	32

DSC102







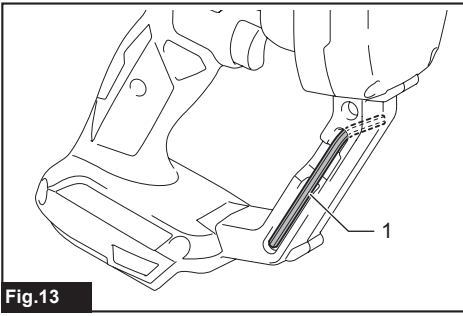


Fig.13

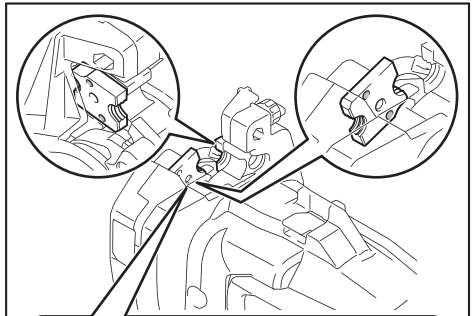


Fig.17

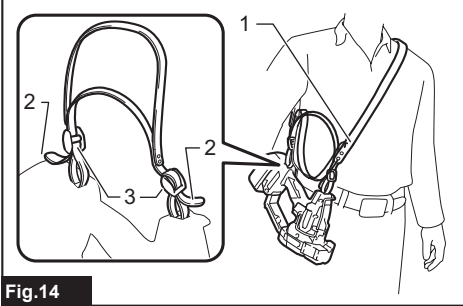


Fig.14

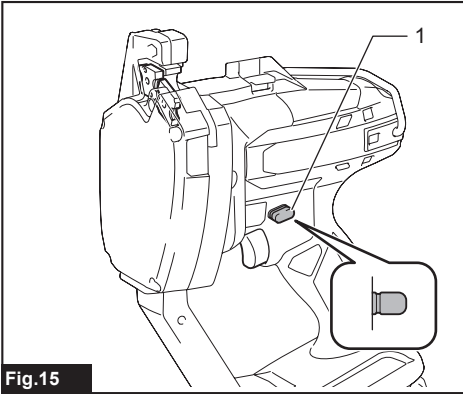


Fig.15

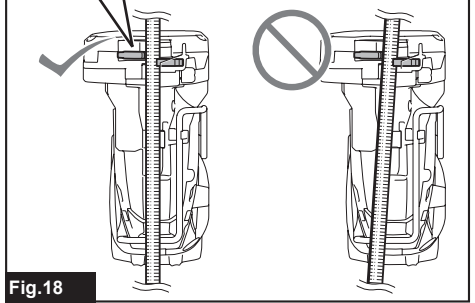
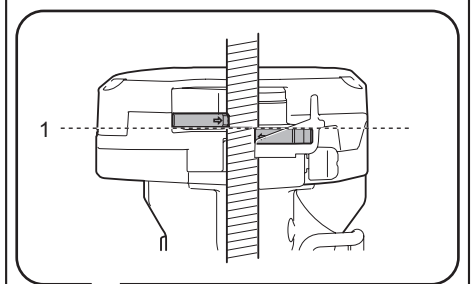


Fig.18

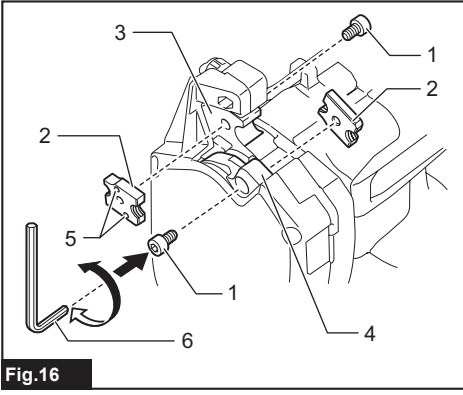


Fig.16

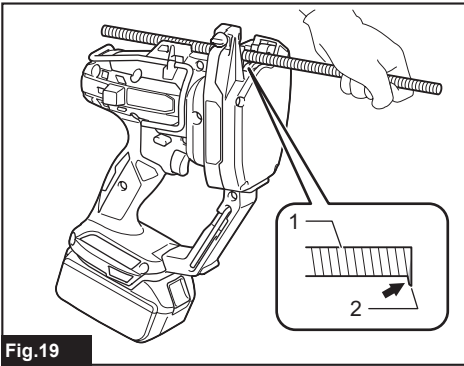


Fig.19

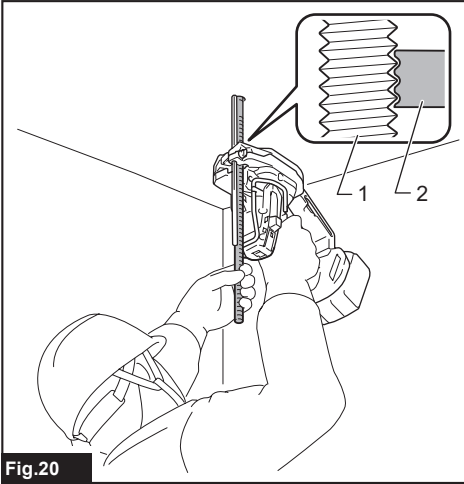


Fig.20

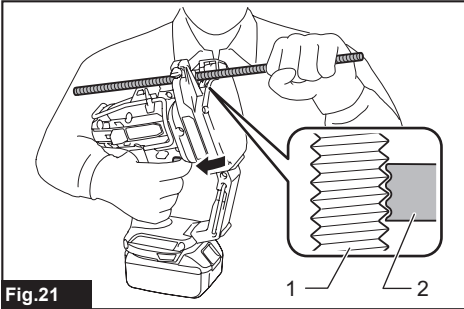


Fig.21

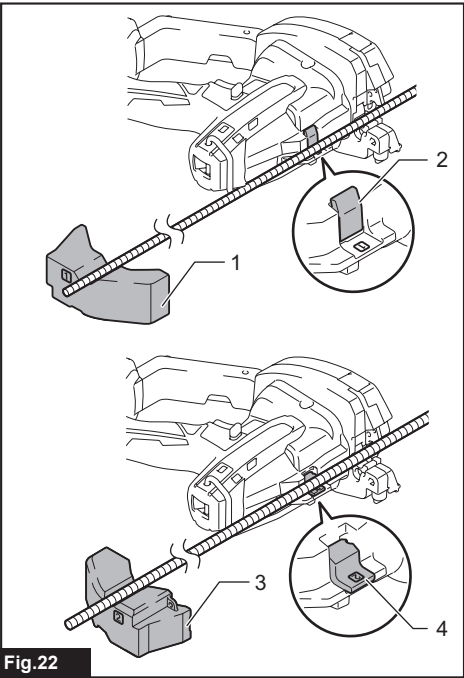


Fig.22

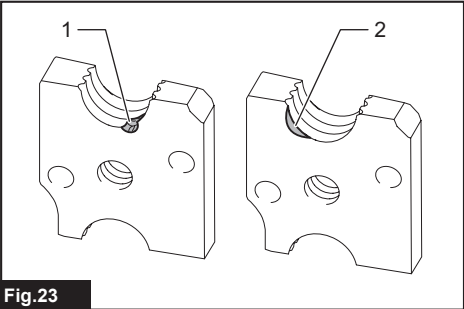


Fig.23

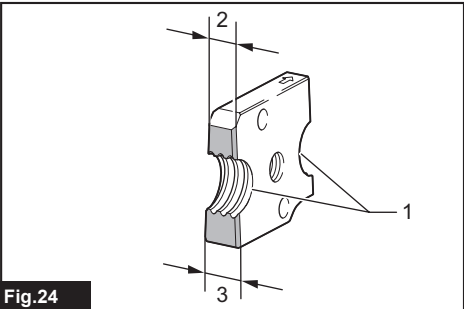


Fig.24

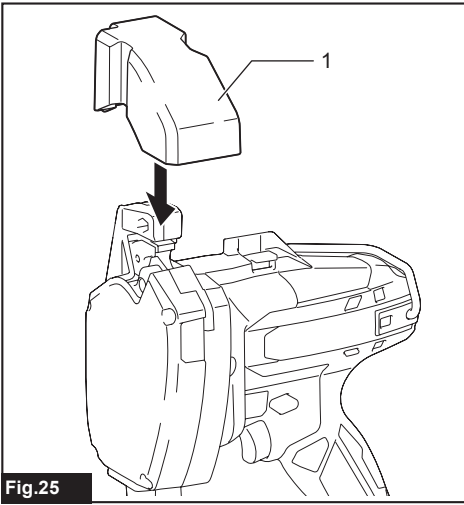


Fig.25

SPECIFICATIONS

Model:		DSC102
Cutting capacities	Mild steel	W3/8, W5/16, W1/4, 3/8-16UNC, 5/16-18UNC, 1/4-20UNC, M10, M8, M6
	Stainless steel	W3/8, 5/16-18UNC, M8, M6
Overall length		199 mm
Rated voltage		D.C. 18 V D.C. 14.4 V
Net weight		2.8 - 3.2 kg

- Due to our continuing program of research and development, the specifications herein are subject to change without notice.
- Specifications may differ from country to country.
- The weight may differ depending on the attachment(s), including the battery cartridge. The lightest and heaviest combination, according to EPTA-Procedure 01/2014, are shown in the table.

Applicable battery cartridge and charger







Battery cartridge	D.C.14.4 V Model	BL1415N / BL1430 / BL1430B / BL1440 / BL1450 / BL1460B
	D.C.18 V Model	BL1815N / BL1820 / BL1820B / BL1830 / BL1830B / BL1840 / BL1840B / BL1850 / BL1850B / BL1860B
Charger		DC18RC / DC18RD / DC18RE / DC18SD / DC18SE / DC18SF

- Some of the battery cartridges and chargers listed above may not be available depending on your region of residence.

⚠ WARNING: Only use the battery cartridges and chargers listed above. Use of any other battery cartridges and chargers may cause injury and/or fire.

Symbols

The followings show the symbols used for the equipment. Be sure that you understand their meaning before use.

	Read instruction manual.
 	Wear safety glasses.
	Do not touch the cutting disc during operation.
	Pay attention to a cut threaded rod.
	Do not close your face to the tool during operation.



Only for EU countries
Do not dispose of electric equipment or battery pack together with household waste material!
In observance of the European Directives, on Waste Electric and Electronic Equipment and Batteries and Accumulators and Waste Batteries and Accumulators and their implementation in accordance with national laws, electric equipment and batteries and battery pack(s) that have reached the end of their life must be collected separately and returned to an environmentally compatible recycling facility.

Intended use

The tool is intended for cutting threaded rods.

SAFETY WARNINGS

General power tool safety warnings

⚠ WARNING: Read all safety warnings, instructions, illustrations and specifications provided with this power tool. Failure to follow all instructions listed below may result in electric shock, fire and/or serious injury.

Save all warnings and instructions for future reference.

The term "power tool" in the warnings refers to your mains-operated (corded) power tool or battery-operated (cordless) power tool.

Work area safety

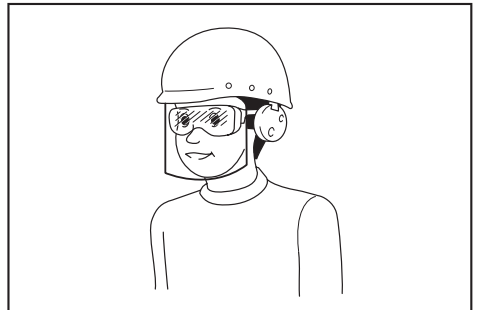
1. **Keep work area clean and well lit.** Cluttered or dark areas invite accidents.
2. **Do not operate power tools in explosive atmospheres, such as in the presence of flammable liquids, gases or dust.** Power tools create sparks which may ignite the dust or fumes.
3. **Keep children and bystanders away while operating a power tool.** Distractions can cause you to lose control.

Electrical Safety

1. **Power tool plugs must match the outlet. Never modify the plug in any way. Do not use any adapter plugs with earthed (grounded) power tools.** Unmodified plugs and matching outlets will reduce risk of electric shock.
2. **Avoid body contact with earthed or grounded surfaces, such as pipes, radiators, ranges and refrigerators.** There is an increased risk of electric shock if your body is earthed or grounded.
3. **Do not expose power tools to rain or wet conditions.** Water entering a power tool will increase the risk of electric shock.
4. **Do not abuse the cord. Never use the cord for carrying, pulling or unplugging the power tool. Keep cord away from heat, oil, sharp edges or moving parts.** Damaged or entangled cords increase the risk of electric shock.
5. **When operating a power tool outdoors, use an extension cord suitable for outdoor use.** Use of a cord suitable for outdoor use reduces the risk of electric shock.
6. **If operating a power tool in a damp location is unavoidable, use a residual current device (RCD) protected supply.** Use of an RCD reduces the risk of electric shock.
7. **Power tools can produce electromagnetic fields (EMF) that are not harmful to the user.** However, users of pacemakers and other similar medical devices should contact the maker of their device and/or doctor for advice before operating this power tool.

Personal Safety

1. **Stay alert, watch what you are doing and use common sense when operating a power tool. Do not use a power tool while you are tired or under the influence of drugs, alcohol or medication.** A moment of inattention while operating power tools may result in serious personal injury.
2. **Use personal protective equipment. Always wear eye protection.** Protective equipment such as a dust mask, non-skid safety shoes, hard hat or hearing protection used for appropriate conditions will reduce personal injuries.
3. **Prevent unintentional starting. Ensure the switch is in the off-position before connecting to power source and/or battery pack, picking up or carrying the tool.** Carrying power tools with your finger on the switch or energising power tools that have the switch on invites accidents.
4. **Remove any adjusting key or wrench before turning the power tool on.** A wrench or a key left attached to a rotating part of the power tool may result in personal injury.
5. **Do not overreach. Keep proper footing and balance at all times.** This enables better control of the power tool in unexpected situations.
6. **Dress properly. Do not wear loose clothing or jewellery. Keep your hair and clothing away from moving parts.** Loose clothes, jewellery or long hair can be caught in moving parts.
7. **If devices are provided for the connection of dust extraction and collection facilities, ensure these are connected and properly used.** Use of dust collection can reduce dust-related hazards.
8. **Do not let familiarity gained from frequent use of tools allow you to become complacent and ignore tool safety principles.** A careless action can cause severe injury within a fraction of a second.
9. **Always wear protective goggles to protect your eyes from injury when using power tools. The goggles must comply with ANSI Z87.1 in the USA, EN 166 in Europe, or AS/NZS 1336 in Australia/New Zealand. In Australia/New Zealand, it is legally required to wear a face shield to protect your face, too.**



It is an employer's responsibility to enforce the use of appropriate safety protective equipments by the tool operators and by other persons in the immediate working area.

Power tool use and care

1. **Do not force the power tool. Use the correct power tool for your application.** The correct power tool will do the job better and safer at the rate for which it was designed.
2. **Do not use the power tool if the switch does not turn it on and off.** Any power tool that cannot be controlled with the switch is dangerous and must be repaired.
3. **Disconnect the plug from the power source and/or remove the battery pack, if detachable, from the power tool before making any adjustments, changing accessories, or storing power tools.** Such preventive safety measures reduce the risk of starting the power tool accidentally.
4. **Store idle power tools out of the reach of children and do not allow persons unfamiliar with the power tool or these instructions to operate the power tool.** Power tools are dangerous in the hands of untrained users.
5. **Maintain power tools and accessories. Check for misalignment or binding of moving parts, breakage of parts and any other condition that may affect the power tool's operation. If damaged, have the power tool repaired before use.** Many accidents are caused by poorly maintained power tools.
6. **Keep cutting tools sharp and clean.** Properly maintained cutting tools with sharp cutting edges are less likely to bind and are easier to control.
7. **Use the power tool, accessories and tool bits etc. in accordance with these instructions, taking into account the working conditions and the work to be performed.** Use of the power tool for operations different from those intended could result in a hazardous situation.
8. **Keep handles and grasping surfaces dry, clean and free from oil and grease.** Slippery handles and grasping surfaces do not allow for safe handling and control of the tool in unexpected situations.
9. **When using the tool, do not wear cloth work gloves which may be entangled.** The entanglement of cloth work gloves in the moving parts may result in personal injury.

Battery tool use and care

1. **Recharge only with the charger specified by the manufacturer.** A charger that is suitable for one type of battery pack may create a risk of fire when used with another battery pack.
2. **Use power tools only with specifically designated battery packs.** Use of any other battery packs may create a risk of injury and fire.
3. **When battery pack is not in use, keep it away from other metal objects, like paper clips, coins, keys, nails, screws or other small metal objects, that can make a connection from one terminal to another.** Shorting the battery terminals together may cause burns or a fire.
4. **Under abusive conditions, liquid may be ejected from the battery; avoid contact. If contact accidentally occurs, flush with water. If liquid contacts eyes, additionally seek medical help.** Liquid ejected from the battery may cause irritation or burns.

5. **Do not use a battery pack or tool that is damaged or modified.** Damaged or modified batteries may exhibit unpredictable behaviour resulting in fire, explosion or risk of injury.
6. **Do not expose a battery pack or tool to fire or excessive temperature.** Exposure to fire or temperature above 130 °C may cause explosion.
7. **Follow all charging instructions and do not charge the battery pack or tool outside the temperature range specified in the instructions.** Charging improperly or at temperatures outside the specified range may damage the battery and increase the risk of fire.

Service

1. **Have your power tool serviced by a qualified repair person using only identical replacement parts.** This will ensure that the safety of the power tool is maintained.
2. **Never service damaged battery packs.** Service of battery packs should only be performed by the manufacturer or authorized service providers.
3. **Follow instruction for lubricating and changing accessories.**

Cordless threaded rod cutter safety warnings

1. **Hold the tool firmly.**
2. **Secure the workpiece firmly.**
3. **Keep your face and hands away from moving parts.** During cutting, the fraction of the threaded rod may fly off.
4. **Always wear gloves when handling threaded rods.** Edges and chips of the workpiece are sharp.
5. **Do not put the tool on the chips of the workpiece. Otherwise it can cause damage and trouble on the tool.**
6. **Always be sure you have a firm footing. Be sure no one is below when using the tool in high locations.**
7. **Do not touch the cutting edge or the workpiece immediately after operation; they may be extremely hot and could burn your skin.**
8. **Avoid cutting electrical wires. It can cause serious accident by electric shock.**
9. **Always hold the threaded rod during and after cutting to prevent the cut threaded rod from falling off.** A cut threaded rod may cause serious personal injury if fallen off from a high location.
10. **Keep a safe distance between your body and the moving parts. Do not operate the tool if the working area is too narrow to keep a safe distance.**
11. **Never leave the tool on a high location or a potentially unstable surface.**

SAVE THESE INSTRUCTIONS.

⚠WARNING: DO NOT let comfort or familiarity with product (gained from repeated use) replace strict adherence to safety rules for the subject product.

MISUSE or failure to follow the safety rules stated in this instruction manual may cause serious personal injury.

Important safety instructions for battery cartridge

1. Before using battery cartridge, read all instructions and cautionary markings on (1) battery charger, (2) battery, and (3) product using battery.
2. Do not disassemble battery cartridge.
3. If operating time has become excessively shorter, stop operating immediately. It may result in a risk of overheating, possible burns and even an explosion.
4. If electrolyte gets into your eyes, rinse them out with clear water and seek medical attention right away. It may result in loss of your eyesight.
5. Do not short the battery cartridge:
 - (1) Do not touch the terminals with any conductive material.
 - (2) Avoid storing battery cartridge in a container with other metal objects such as nails, coins, etc.
 - (3) Do not expose battery cartridge to water or rain.

A battery short can cause a large current flow, overheating, possible burns and even a breakdown.

6. Do not store the tool and battery cartridge in locations where the temperature may reach or exceed 50 °C (122 °F).
7. Do not incinerate the battery cartridge even if it is severely damaged or is completely worn out. The battery cartridge can explode in a fire.
8. Be careful not to drop or strike battery.

9. Do not use a damaged battery.
10. The contained lithium-ion batteries are subject to the Dangerous Goods Legislation requirements.

For commercial transports e.g. by third parties, forwarding agents, special requirement on packaging and labeling must be observed.

For preparation of the item being shipped, consulting an expert for hazardous material is required. Please also observe possibly more detailed national regulations.

Tape or mask off open contacts and pack up the battery in such a manner that it cannot move around in the packaging.
11. Follow your local regulations relating to disposal of battery.
12. Use the batteries only with the products specified by Makita. Installing the batteries to non-compliant products may result in a fire, excessive heat, explosion, or leak of electrolyte.

SAVE THESE INSTRUCTIONS.

⚠CAUTION: Only use genuine Makita batteries. Use of non-genuine Makita batteries, or batteries that have been altered, may result in the battery bursting causing fires, personal injury and damage. It will also void the Makita warranty for the Makita tool and charger.

Tips for maintaining maximum battery life

1. Charge the battery cartridge before completely discharged. Always stop tool operation and charge the battery cartridge when you notice less tool power.
2. Never recharge a fully charged battery cartridge. Overcharging shortens the battery service life.
3. Charge the battery cartridge with room temperature at 10 °C - 40 °C (50 °F - 104 °F). Let a hot battery cartridge cool down before charging it.
4. Charge the battery cartridge if you do not use it for a long period (more than six months).

PARTS DESCRIPTION

► Fig.1

1	Stationary mount	2	Movable mount	3	Cutting die	4	Bolt
5	Hook	6	Shoulder strap base (for optional accessory)	7	Hex Wrench	8	Lamp (inside)
9	Front face	10	Switch trigger	11	Reversing switch lever	12	Rod guide
13	Guide scale	14	Clamping screw	15	Cover	-	-

FUNCTIONAL DESCRIPTION

CAUTION: Always be sure that the tool is switched off and the battery cartridge is removed before adjusting or checking function on the tool.

Installing or removing battery cartridge

CAUTION: Always switch off the tool before installing or removing of the battery cartridge.

CAUTION: Hold the tool and the battery cartridge firmly when installing or removing battery cartridge. Failure to hold the tool and the battery cartridge firmly may cause them to slip off your hands and result in damage to the tool and battery cartridge and a personal injury.

► **Fig.2:** 1. Red indicator 2. Button 3. Battery cartridge

To remove the battery cartridge, slide it from the tool while sliding the button on the front of the cartridge.

To install the battery cartridge, align the tongue on the battery cartridge with the groove in the housing and slip it into place. Insert it all the way until it locks in place with a little click. If you can see the red indicator on the upper side of the button, it is not locked completely.

CAUTION: Always install the battery cartridge fully until the red indicator cannot be seen. If not, it may accidentally fall out of the tool, causing injury to you or someone around you.

CAUTION: Do not install the battery cartridge forcibly. If the cartridge does not slide in easily, it is not being inserted correctly.

Tool / battery protection system

The tool is equipped with a tool/battery protection system. This system automatically cuts off power to the motor to extend tool and battery life. The tool will automatically stop during operation if the tool or battery is placed under one of the following conditions.

Overload protection

When the tool is operated in a manner that causes it to draw an abnormally high current, the tool automatically stops without any indication. In this situation, turn the tool off and stop the application that caused the tool to become overloaded. Then turn the tool on to restart.

NOTE: Overload protection activates when you try to cut the following kinds of threaded rods.

- A threaded rod which is larger than the cutting dice size.
- A threaded rod which is harder than the cutting capacity of the cutting dice.

Overheat protection

When the tool is overheated, the tool automatically stops and the LED light will blink. Let the tool cool down before turning the tool on again.

Overdischarge protection

When the battery capacity becomes low, the tool stops automatically. If the product does not operate even when the switches are operated, remove the batteries from the tool and charge the batteries.

Indicating the remaining battery capacity

Only for battery cartridges with the indicator

► **Fig.3:** 1. Indicator lamps 2. Check button

Press the check button on the battery cartridge to indicate the remaining battery capacity. The indicator lamps light up for a few seconds.

Indicator lamps			Remaining capacity
Lighted	Off	Blinking	
■	□	◐	75% to 100%
■	■	□	50% to 75%
■	■	□	25% to 50%
■	□	□	0% to 25%
◐	□	□	Charge the battery.
■	■	□	The battery may have malfunctioned.
□	□	■	

NOTE: Depending on the conditions of use and the ambient temperature, the indication may differ slightly from the actual capacity.

Switch action

CAUTION: Before installing the battery cartridge into the tool, always check to see that the switch trigger actuates properly and returns to the "OFF" position when released.

To start the cutting operation, continue to pull the switch trigger. The cutting die on the movable mount will overlap with the die on the stationary mount and then returns. If you release the switch trigger before completing the cut, the cutting dice will stop.

► **Fig.4:** 1. Switch trigger

► **Fig.5:** 1. Stationary mount 2. Cutting die 3. Movable mount

NOTICE: Do not operate the tool at no-load unnecessarily.

Auto-stop function

When you continue to pull the switch trigger, the jaw of the dice once closes and returns to fully opened position then stops. Release the trigger and pull it again to begin the next cutting sequence.

Reversing switch lever

⚠ WARNING: When not operating the tool, always set the reversing switch lever to the lock position.

⚠ CAUTION: Always make sure the position of the reversing switch lever before operating.

NOTICE: Do not move the reversing switch lever when the switch trigger is being pulled. This may cause a damage to the tool.

To start the cutting operation, set the reversing switch lever to cutting position.

To reverse the cutting sequence, set the reversing switch lever to the reversing position. When you continue to pull the switch trigger, the jaw of the cutting dice opens and stops at fully opened position.

To lock the switch trigger, set the reversing switch lever to the lock position. The switch trigger cannot be pulled in this position.

► **Fig.6:** 1. Reversing switch lever 2. Cutting position 3. Lock position 4. Reversing position

NOTICE: When the reversing switch lever is in the reversing position, run the tool only as needed. To prevent the damage to the tool, the tool will automatically stops when it is run in the reversing position continuously.

NOTE: After cutting, if you release the switch trigger while the jaw of the cutting dice is opening and then set the reversing switch lever to the reversing position, the jaw will once close and then open when you pull the switch trigger again.

LED light

⚠ CAUTION: Do not look in the light or see the source of light directly.

Pull the switch trigger to light up the lamp. The lamp keeps on lighting while the switch trigger is being pulled. The lamp goes out approximately 15 seconds after releasing the switch trigger.

► **Fig.7:** 1. Lamp (inside)

NOTE: Use a dry cloth to wipe the dirt off the lens of the lamp. Be careful not to scratch the lens of lamp, or it may lower the illumination.

NOTE: When the tool is overheated, the lamp will blink. Let the tool cool down in this case.

Guide scale

Use the guide scale if you wish to cut threaded rods in the same length. Insert the guide scale into the hole as shown in the figure.

► **Fig.8:** 1. Guide scale 2. Clamping screw

Align the value of your desired length on the guide scale with the cutting line. Then tighten the clamping screw.

► **Fig.9:** 1. Guide scale 2. Cutting line 3. Clamping screw

⚠ CAUTION: Do not hold the guide scale to carry or handle the tool. The tool may fall off and cause personal injury and/or damage to the tool.

Rod guide

For a precise cutting, set the rod guide in position depending on the diameter of the threaded rod to be cut.

► **Fig.10:** 1. Rod guide (Position 1) 2. Rod guide (Position 2)

There are two rod guide positions.

Position	Size of threaded rod
1	W3/8, 3/8-16UNC, M10
2	W5/16, W1/4, 5/16-18UNC, 1/4-20UNC, M8, M6

Hook

⚠ CAUTION: Never hook the tool on a windy location or a potentially unstable surface.

⚠ CAUTION: Do not use the hook when it is deformed or damaged.

⚠ CAUTION: When not operating the tool, always fold the hook.

The hook is convenient for hanging the tool temporarily.

► **Fig.11:** 1. Hook

⚠ CAUTION: Do not hang the hook from the waist belt. It may result in personal injuries and/or damage to the tool if dropped.

► **Fig.12**

Hex wrench storage

When not in use, store the hex wrench as shown in the figure to keep it from being lost.

► **Fig.13:** 1. Hex wrench

Shoulder strap

Optional accessory

Shoulder strap is useful for carrying the tool.

► **Fig.14:** 1. Shoulder strap 2. Belt end 3. Buckle

CAUTION: Always wear the shoulder strap crossed over your body and adjusted in proper length.

CAUTION: Do not use the shoulder strap if it is damaged.

CAUTION: Leave a sufficient length between the buckle and belt end to prevent the belt end from slipping through the buckle.

ASSEMBLY

CAUTION: Always be sure that the tool is switched off and the battery cartridge is removed before carrying out any work on the tool.

Installing the cutting dice

CAUTION: Always install the cutting dice in the correct directions and secured firmly. Incorrect or loose attachment may cause breakage of the cutting dice, resulting personal injury by flown off fractions.

NOTICE: Remove the burr on the cutting dice using a file if any.

1. Check if the jaw of the cutting dice is fully opened. If not, install the battery and pull the switch trigger until the jaw is fully opened.

CAUTION: Be sure to remove the battery cartridge if you installed.

2. Set the reversing switch lever to the lock position.
▶ Fig.15: 1. Reversing switch lever
3. Unscrew the bolts with the supplied hex wrench.

CAUTION: Use only the Makita wrench provided with the tool. Using other wrenches may result in overtightening or insufficient tightening which causes personal injury.

4. Set the cutting dice onto the mounts so that the two colored markings can be seen.

▶ Fig.16: 1. Bolt 2. Cutting die 3. Stationary mount
4. Movable mount 5. Colored marking
6. Hex wrench

5. Secure the cutting dice with the bolts firmly.

The cutting dice are correctly installed if the arrows on them point each other. The dimensions of the cutting dice are the same but their thickness look different when seen from above.

▶ Fig.17: 1. Arrow 2. Cutting die 3. Thin side 4. Thick side

OPERATION

CAUTION: Make sure that the correct size of the cutting dice are installed to the tool. Check the cutting capacity written on the the cutting dice before cutting.

CAUTION: Before pulling the switch trigger, be sure to set the threaded rod so that its thread fits with those of cutting dice. Incorrect alignment of the threads may break the cutting dice and cause personal injury by flown off fractions.

CAUTION: Replace the cutting dice if the cutting edge is chipped or deformed.

When cutting, place the threaded rod perpendicular to the cutting line as shown in the figure.

▶ Fig.18: 1. Cutting line

NOTE: When cutting a threaded rod made of ductile metal such as stainless steel, burrs may be generated on the cut end. Remove burrs with a file in this case.

▶ Fig.19: 1. Threaded rod 2. Burr

Cutting secured threaded rods

When cutting a threaded rod which is secured to the building structure such as the ceiling, wall, floor, etc., follow the procedure below :

▶ Fig.20: 1. Threaded rod 2. Cutting die on the stationary mount

1. Bring the tool so that the threaded rod is positioned between the cutting dice.
2. While the threaded rod contacting with the rod guide, fit the thread of the rod with that of the cutting die on the stationary mount.
3. Pull and hold the switch trigger until the cutting is finished and the jaw of the cutting dice comes to fully opened position.

NOTICE: Clean the front face of the tool and the tip of the guide scale before operation. They may dirty the contacting surface.

Cutting loose threaded rods

When cutting a loose threaded rod on the floor or a work table, follow the procedure below :

▶ Fig.21: 1. Threaded rod 2. Cutting die on the stationary mount

1. Position a threaded rod between the cutting dice.
2. While the threaded rod contacting with the rod guide, fit the thread of the rod with that of the cutting die on the stationary mount.
3. Pull and hold the switch trigger until the cutting is finished and the jaw of the cutting dice comes to fully opened position.

When cutting a long threaded rod which is hard to hold by hand, place the tool as illustrated. The tool can be placed flat. The cover also can be used for supporting the end of the threaded rod.

- **Fig.22:** 1. Cover (Position 1) 2. Rod guide (Position 1) 3. Cover (Position 2) 4. Rod guide (Position 2)

The cover has markings to indicate its position. Depending on the size of the threaded rod, put the cover in the position as shown in the table as well as the rod guide.

Position	Size of threaded rod
1	W3/8, 3/8-16UNC, M10
2	W5/16, W1/4, 5/16-18UNC, 1/4-20UNC, M8, M6

Quitting the cutting in the middle

CAUTION: Never try to pull out the tool forcibly from the threaded rod. It may cause unexpected start up which cause personal injury or damage to the cutting dice and tool.

When quitting the cutting in the middle, set the reversing switch lever to the reversing position and pull the switch trigger until the threaded rod is completely released from the cutting dice.

MAINTENANCE

CAUTION: Always be sure that the tool is switched off and the battery cartridge is removed before attempting to perform inspection or maintenance.

NOTICE: Never use gasoline, benzine, thinner, alcohol or the like. Discoloration, deformation or cracks may result.

Replacing the cutting dice

NOTICE: Replace the both cutting dice at the same time. Replacing the one side of the cutting die may generate burr on the threaded rod.

Replace the cutting dice when it is chipped, deformed, or the cutting gets dull. To replace, follow the instructions in "Installing the cutting dice".

- **Fig.23:** 1. Chipping 2. Deformation

One cutting die has two cutting edges and thick side and thin side. Switch the installation positions of the cutting dice if you have not used the other sides of the cutting edges.

- **Fig.24:** 1. Cutting edge 2. Thin side 3. Thick side

Carrying/storing the tool

CAUTION: When the tool is not used, always attach the supplied cover to the cutting portion.

Attach the cover when carrying the tool. When storing the tool, remove the battery cartridge and the guide scale from the tool. Clean dust on the cutting dice and the moving part. After that, attach the cover.

- **Fig.25:** 1. Cover

To maintain product SAFETY and RELIABILITY, repairs, any other maintenance or adjustment should be performed by Makita Authorized or Factory Service Centers, always using Makita replacement parts.

OPTIONAL ACCESSORIES

CAUTION: These accessories or attachments are recommended for use with your Makita tool specified in this manual. The use of any other accessories or attachments might present a risk of injury to persons. Only use accessory or attachment for its stated purpose.

If you need any assistance for more details regarding these accessories, ask your local Makita Service Center.

- Cutting dice
- Shoulder strap
- Makita genuine battery and charger

NOTE: Some items in the list may be included in the tool package as standard accessories. They may differ from country to country.

SPESIFIKASI

Model:		DSC102
Kapasitas pemotongan	Baja lunak	W3/8, W5/16, W1/4, 3/8-16UNC, 5/16-18UNC, 1/4-20UNC, M10, M8, M6
	Baja tahan karat	W3/8, 5/16-18UNC, M8, M6
Panjang keseluruhan		199 mm
Tegangan terukur		D.C. 18 V D.C. 14,4 V
Berat bersih		2,8 - 3,2 kg

- Karena kesinambungan program penelitian dan pengembangan kami, spesifikasi yang disebutkan di sini dapat berubah tanpa pemberitahuan.
- Spesifikasi dapat berbeda dari satu negara ke negara lainnya.
- Berat alat mungkin berbeda tergantung perangkat tambahan yang dipasang, termasuk kartrid baterai. Kombinasi alat terberat dan teringan, sesuai Prosedur EPTA 01/2014, ditunjukkan pada tabel.

Kartrid dan pengisi daya baterai yang dapat digunakan

Kartrid baterai	Model D.C.14,4 V	BL1415N / BL1430 / BL1430B / BL1440 / BL1450 / BL1460B
	Model D.C.18 V	BL1815N / BL1820 / BL1820B / BL1830 / BL1830B / BL1840 / BL1840B / BL1850 / BL1850B / BL1860B
Pengisi daya		DC18RC / DC18RD / DC18RE / DC18SD / DC18SE / DC18SF

- Beberapa kartrid baterai dan pengisi daya yang tercantum di atas mungkin tidak tersedia, tergantung wilayah tempat tinggal Anda.

⚠️ PERINGATAN: Hanya gunakan kartrid dan pengisi daya baterai yang tercantum di atas. Penggunaan kartrid dan pengisi daya baterai lain dapat menimbulkan risiko cedera dan/atau kebakaran.

Simbol

Berikut ini adalah simbol-simbol yang digunakan pada peralatan ini. Pastikan Anda mengerti makna masing-masing simbol sebelum menggunakan alat.



Baca petunjuk penggunaan.



Gunakan kaca mata pengaman.



Jangan sentuh pemotong ulir selama pengoperasian.



Perhatikan batang berulir yang dipotong.



Jangan dekatkan wajah Anda pada mesin selama pengoperasian.



Hanya untuk negara-negara UE
Jangan membuang peralatan listrik atau paket baterai bersama-sama dengan bahan limbah rumah tangga!
Dengan memerhatikan Petunjuk Eropa, tentang Limbah Peralatan Listrik dan Elektronik serta Baterai dan Akumulator serta Limbah Baterai dan Akumulator dan pelaksanaannya sesuai dengan ketentuan hukum nasional, peralatan listrik dan baterai dan paket baterai yang telah habis umur pakainya harus dikumpulkan secara terpisah dan dikembalikan ke fasilitas daur ulang yang kompatibel secara lingkungan.

Penggunaan

Mesin ini digunakan untuk memotong batang berulir.

PERINGATAN KESELAMATAN

Peringatan keselamatan umum mesin listrik

⚠️ PERINGATAN: Bacalah semua peringatan keselamatan, petunjuk, ilustrasi dan spesifikasi yang disertakan bersama mesin listrik ini. Kelalaian untuk mematuhi semua petunjuk yang tercantum di bawah ini dapat menyebabkan sengatan listrik, kebakaran dan/atau cedera serius.

Simpanlah semua peringatan dan petunjuk untuk acuan di masa depan.

Istilah "mesin listrik" dalam semua peringatan mengacu pada mesin listrik yang dijalankan dengan sumber listrik jala-jala (berkabel) atau baterai (tanpa kabel).

Keselamatan tempat kerja

1. **Jaga tempat kerja selalu bersih dan berpenerangan cukup.** Tempat kerja yang berantakan dan gelap mengundang kecelakaan.
2. **Jangan gunakan mesin listrik dalam lingkungan yang mudah meledak, misalnya jika ada cairan, gas, atau debu yang mudah menyala.** Mesin listrik menimbulkan bunga api yang dapat menyalakan debu atau uap tersebut.
3. **Jauhkan anak-anak dan orang lain saat menggunakan mesin listrik.** Bila perhatian terpecah, anda dapat kehilangan kendali.

Keamanan Kelistrikan

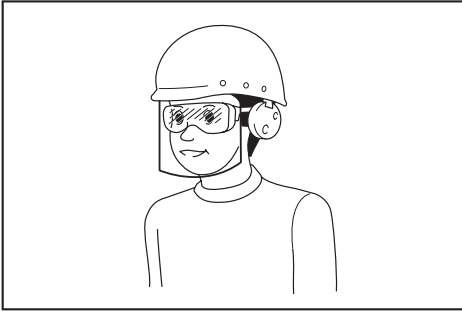
1. **Steker mesin listrik harus cocok dengan stopkontak. Jangan sekali-kali mengubah steker dengan cara apa pun. Jangan menggunakan steker adaptor dengan mesin listrik terbumi (dibumikan).** Steker yang tidak diubah dan stopkontak yang cocok akan mengurangi risiko sengatan listrik.
2. **Hindari sentuhan tubuh dengan permukaan terbumi atau yang dibumikan seperti pipa, radiator, kompor, dan kulkas.** Risiko sengatan listrik bertambah jika tubuh Anda terbumikan atau dibumikan.
3. **Jangan membiarkan mesin listrik kehujanan atau kebasahan.** Air yang masuk ke dalam mesin listrik akan meningkatkan risiko sengatan listrik.
4. **Jangan menyalahgunakan kabel. Jangan sekali-kali menggunakan kabel untuk membawa, menarik, atau mencabut mesin listrik dari stopkontak. Jauhkan kabel dari panas, minyak, tepian tajam, atau bagian yang bergerak.** Kabel yang rusak atau kusut memperbesar risiko sengatan listrik.
5. **Bila menggunakan mesin listrik di luar ruangan, gunakan kabel ekstensi yang sesuai untuk penggunaan di luar ruangan.** Penggunaan kabel yang sesuai untuk penggunaan luar ruangan mengurangi risiko sengatan listrik.

6. **Jika mengoperasikan mesin listrik di lokasi lembap tidak terhindarkan, gunakan pasokan daya yang dilindungi peranti imbasan arus (residual current device - RCD).** Penggunaan RCD mengurangi risiko sengatan listrik.
7. **Mesin listrik dapat menghasilkan medan magnet (EMF) yang tidak berbahaya bagi pengguna.** Namun, pengguna alat pacu jantung atau peralatan medis sejenisnya harus berkonsultasi dengan produsen peralatan tersebut dan/atau dokter mereka sebelum mengoperasikan mesin listrik ini.

Keselamatan Diri

1. **Jaga kewaspadaan, perhatikan pekerjaan Anda dan gunakan akal sehat bila menggunakan mesin listrik. Jangan menggunakan mesin listrik saat Anda lelah atau di bawah pengaruh obat bius, alkohol, atau obat.** Sekejar saja lalai saat menggunakan mesin listrik dapat menyebabkan cedera badan serius.
2. **Gunakan alat pelindung diri. Selalu gunakan pelindung mata.** Peralatan pelindung seperti masker debu, sepatu pengaman anti-selip, helm pengaman, atau pelindung telinga yang digunakan untuk kondisi yang sesuai akan mengurangi risiko cedera badan.
3. **Cegah penyalaaan yang tidak disengaja. Pastikan bahwa sakelar berada dalam posisi mati (off) sebelum menghubungkan mesin ke sumber daya dan/atau paket baterai, atau mengangkat atau membawanya.** Membawa mesin listrik dengan jari Anda pada sakelarnya atau mengalirkan listrik pada mesin listrik yang sakelarnya hidup (on) akan mengundang kecelakaan.
4. **Lepaskan kunci-kunci penyetel sebelum menghidupkan mesin listrik.** Kunci-kunci yang masih terpasang pada bagian mesin listrik yang berputar dapat menyebabkan cedera.
5. **Jangan meraih terlalu jauh. Jagalah pijakan dan keseimbangan sepanjang waktu.** Hal ini memungkinkn kendali yang lebih baik atas mesin listrik dalam situasi yang tidak diharapkan.
6. **Kenakan pakaian yang memadai. Jangan memakai pakaian yang longgar atau perhiasan. Jaga jarak antara rambut dan pakaian Anda dengan komponen mesin yang bergerak.** Pakaian yang longgar, perhiasan, atau rambut yang panjang dapat tersangkut pada komponen yang bergerak.
7. **Jika tersedia fasilitas untuk menghisap dan mengumpulkan debu, pastikan fasilitas tersebut terhubung listrik dan digunakan dengan baik.** Penggunaan pembersih debu dapat mengurangi bahaya yang terkait dengan debu.
8. **Jangan sampai Anda lelah dan mengabaikan prinsip keselamatan mesin ini hanya karena sudah sering mengoperasikannya dan sudah merasa terbiasa.** Tindakan yang lalai dapat menyebabkan cedera berat dalam sepersekian detik saja.

9. **Selalu kenakan kacamata pelindung untuk melindungi mata dari cedera saat menggunakan mesin listrik. Kacamata harus sesuai dengan ANSI Z87.1 di Amerika Serikat, EN 166 di Eropa, atau AS/NZS 1336 di Australia/Selandia Baru. Di Australia/Selandia Baru, secara hukum Anda juga diwajibkan mengenakan pelindung wajah untuk melindungi wajah Anda.**



Menjadi tanggung jawab atasannya untuk menerapkan penggunaan alat pelindung keselamatan yang tepat bagi operator mesin dan orang lain yang berada di area kerja saat itu.

Penggunaan dan pemeliharaan mesin listrik

- 1. Jangan memaksa mesin listrik. Gunakan mesin listrik yang tepat untuk keperluan Anda.** Mesin listrik yang tepat akan menuntaskan pekerjaan dengan lebih baik dan aman pada kecepatan sesuai rancangannya.
- 2. Jangan gunakan mesin listrik jika sakelar tidak dapat menyala dan memastikannya.** Mesin listrik yang tidak dapat dikendalikan dengan sakelarnya adalah berbahaya dan harus diperbaiki.
- 3. Cabut steker dari sumber listrik dan/atau lepas paket baterai, jika dapat dilepas, dari mesin listrik sebelum melakukan penyetelan apa pun, mengganti aksesoris, atau menyimpan mesin listrik.** Langkah keselamatan preventif tersebut mengurangi risiko hidupnya mesin secara tak sengaja.
- 4. Simpan mesin listrik jauh dari jangkauan anak-anak dan jangan biarkan orang yang tidak paham mengenai mesin listrik tersebut atau petunjuk ini menggunakan mesin listrik.** Mesin listrik sangat berbahaya di tangan pengguna yang tak terlatih.
- 5. Rawatlah mesin listrik dan aksesoris. Periksa apakah ada komponen bergerak yang tidak lurus atau macet, komponen yang pecah, dan kondisi-kondisi lain yang dapat memengaruhi pengoperasian mesin listrik. Jika rusak, perbaiki mesin listrik terlebih dahulu sebelum digunakan.** Banyak kecelakaan disebabkan oleh kurangnya pemeliharaan mesin listrik.
- 6. Jaga agar mesin pemotong tetap tajam dan bersih.** Mesin pemotong yang terawat baik dengan mata pemotong yang tajam tidak mudah macet dan lebih mudah dikendalikan.
- 7. Gunakan mesin listrik, aksesoris, dan mata mesin, dll. sesuai dengan petunjuk ini, dengan memperhitungkan kondisi kerja dan jenis pekerjaan yang dilakukan.** Penggunaan mesin listrik untuk penggunaan yang lain dari peruntukan dapat menimbulkan situasi berbahaya.
- 8. Jagalah agar gagang dan permukaan pegangan tetap kering, bersih, dan bebas dari minyak dan pelumas.** Gagang dan permukaan pegangan yang licin tidak mendukung keamanan penanganan dan pengendalian mesin dalam situasi-situasi tak terduga.
- 9. Ketika menggunakan mesin, jangan menggunakan sarung tangan kain yang dapat tersangkut.** Sarung tangan kain yang tersangkut pada komponen bergerak dapat mengakibatkan cedera pada pengguna.

Penggunaan dan pemeliharaan mesin bertenaga baterai

- 1. Isi ulang baterai hanya dengan pengisi daya yang ditentukan oleh pabrik.** Pengisi daya yang cocok untuk satu jenis paket baterai dapat menimbulkan risiko kebakaran ketika digunakan untuk paket baterai yang lain.
- 2. Gunakan mesin listrik hanya dengan paket baterai yang telah ditentukan secara khusus.** Penggunaan paket baterai lain dapat menimbulkan risiko cedera dan kebakaran.
- 3. Ketika paket baterai tidak digunakan, jauhkan dari benda logam lain, seperti penjepit kertas, uang logam, kunci, paku, sekrup atau benda logam kecil lainnya, yang dapat menghubungkan satu terminal ke terminal lain.** Hubungan singkat terminal baterai dapat menyebabkan luka bakar atau kebakaran.
- 4. Pemakaian yang salah, dapat menyebabkan keluarnya cairan dari baterai; hindari kontak. Jika terjadi kontak secara tidak sengaja, bilas dengan air. Jika cairan mengenai mata, cari bantuan medis.** Cairan yang keluar dari baterai bisa menyebabkan iritasi atau luka bakar.
- 5. Jangan menggunakan paket baterai atau mesin yang sudah rusak atau telah diubah.** Baterai yang rusak atau telah diubah dapat menyebabkan hal-hal yang tidak dapat diprediksi yang dapat menyebabkan kebakaran, ledakan atau risiko cedera.
- 6. Jangan membiarkan paket baterai atau mesin dekat dengan api atau suhu yang berlebihan.** Paparan api atau suhu di atas 130 °C dapat menyebabkan ledakan.
- 7. Ikuti semua petunjuk pengisian daya dan jangan mengisi daya paket baterai atau mesin di luar rentang suhu yang ditentukan di panduan.** Mengisi daya secara tidak tepat atau pada suhu di luar rentang yang ditentukan dapat merusak baterai dan meningkatkan risiko kebakaran.

Servis

1. Berikan mesin listrik untuk diperbaiki hanya kepada oleh teknisi yang berkualifikasi dengan menggunakan hanya suku cadang pengganti yang serupa. Hal ini akan menjamin terjaganya keamanan mesin listrik.
2. Jangan pernah memperbaiki paket baterai yang sudah rusak. Perbaikan paket baterai harus dilakukan hanya oleh produsen atau penyedia servis resmi.
3. Patuhi petunjuk pelumasan dan penggantian aksesoris.

Peringatan keselamatan mesin pemotong batang berulir tanpa kabel

1. Pegang mesin kuat-kuat.
2. Tahan benda kerja dengan kuat.
3. Jaga jarak antara wajah dan tangan Anda dengan komponen mesin yang bergerak. Selama pemotongan, pecahan batang berulir bisa terlempar.
4. Selalu kenakan sarung tangan saat menangani batang berulir. Tepian dan geram-geram benda kerja merupakan benda tajam.
5. Jangan meletakkan mesin di atas geram-geram benda kerja. Jika tidak, hal tersebut dapat menyebabkan kerusakan dan masalah pada mesin.
6. Selalu pastikan Anda memiliki pijakan yang kuat. Pastikan tidak ada orang di bawah Anda ketika menggunakan mesin di lokasi tinggi.
7. Jangan menyentuh tepi potong atau benda kerja segera setelah pengoperasian; suhunya mungkin masih sangat panas dan dapat membakar kulit Anda.
8. Hindari memotong kabel listrik. Hal tersebut dapat menyebabkan kecelakaan serius akibat sengatan listrik.
9. Selalu pegang batang berulir selama dan setelah pemotongan untuk mencegah potongan batang berulir dapat menyebabkan cedera badan jika terjatuh dari lokasi yang tinggi.
10. Jaga jarak aman antara badan Anda dan komponen mesin yang bergerak. Jangan mengoperasikan mesin jika area kerja terlalu sempit untuk menjaga jarak aman.
11. Jangan sekali-kali meninggalkan mesin di lokasi yang tinggi atau permukaan yang berpotensi tidak stabil.

SIMPAN PETUNJUK INI.

⚠ PERINGATAN: JANGAN biarkan kenyamanan atau terbiasanya Anda dengan produk (karena penggunaan berulang) mengurangi kepatuhan yang ketat terhadap aturan keselamatan untuk produk yang terkait.

PENYALAHGUNAAN atau kelalaian mematuhi kaidah keselamatan yang tertera dalam petunjuk ini dapat menyebabkan cedera badan serius.

Petunjuk keselamatan penting untuk kartrid baterai

1. Sebelum menggunakan kartrid baterai, bacalah semua petunjuk dan penandaan pada (1) pengisi daya baterai, (2) baterai, dan (3) produk yang menggunakan baterai.
2. Jangan membongkar kartrid baterai.
3. Jika waktu beroperasinya menjadi sangat singkat, segera hentikan penggunaan. Hal tersebut dapat menimbulkan risiko panas berlebih, kemungkinan mengalami luka bakar atau bahkan terjadi ledakan.
4. Jika elektrolit mengenai mata Anda, basuh dengan air bersih dan segera cari pertolongan medis. Hal tersebut dapat mengakibatkan hilangnya kemampuan penglihatan Anda.
5. Jangan menghubungkan terminal kartrid baterai:
 - (1) Jangan menyentuh terminal dengan bahan penghantar listrik apa pun.
 - (2) Hindari menyimpan kartrid baterai pada wadah yang berisi benda logam lain seperti paku, uang logam, dsb.
 - (3) Jangan membiarkan baterai terkena air atau kehujanan.Hubungan singkat baterai dapat menyebabkan aliran arus listrik yang besar, panas berlebih, kemungkinan mengalami luka bakar dan bahkan kerusakan pada baterai.
6. Jangan menyimpan mesin dan kartrid baterai pada lokasi dengan suhu yang bisa mencapai atau melebihi 50 °C.
7. Jangan membuang kartrid baterai di tempat pembakaran sampah walaupun benar-benar rusak atau tidak bisa digunakan sama sekali. Kartrid baterai bisa meledak jika terbakar.
8. Berhati-hatilah jangan sampai baterai jatuh atau terbentur.
9. Jangan menggunakan baterai yang rusak.
10. Baterai litium-ion yang disertakan sesuai dengan persyaratan Perundangan Makanan Berbahaya.

Harus ada pengawasan untuk pengangkutan komersial misalnya oleh pihak ketiga, ekspediter, persyaratan khusus terhadap pengemasan dan pelabelan.

Diperlukan adanya konsultasi dengan ahli mengenai material berbahaya untuk persiapan barang yang akan dikirimkan. Perhatikan pula peraturan nasional yang lebih terperinci yang mungkin ada.

Beri perekat atau tutupi bagian yang terbuka dan kemasi baterai dengan cara yang tidak akan menimbulkan pergeseran dalam pengemasan.
11. Patuhi peraturan setempat yang berkaitan dengan pembuangan baterai.
12. Gunakan baterai hanya dengan produk yang ditentukan oleh Makita. Memasang baterai pada produk yang tidak sesuai dapat menyebabkan kebakaran, kelebihan panas, ledakan, atau kebocoran elektrolit.

SIMPAN PETUNJUK INI.

⚠PERHATIAN: Gunakan baterai asli Makita. Penggunaan baterai Makita yang tidak asli, atau baterai yang sudah diubah, akan mengakibatkan baterai mudah terbakar, cedera dan kerusakan. Akan menghilangkan garansi Makita pada pengisi daya dan alat Makita.

Tip untuk menjaga agar umur pemakaian baterai maksimum

1. Isi ulang kartrid baterai sebelum habis sama sekali. Selalu hentikan penggunaan mesin dan ganti kartrid baterai jika Anda melihat bahwa mesin kurang tenaga.

2. Jangan pernah mengisi ulang kartrid baterai yang sudah diisi penuh. Pengisian ulang yang berlebih memperpendek umur pemakaian baterai.
3. Isi ulang kartrid baterai pada suhu ruangan 10 °C - 40 °C. Biarkan kartrid baterai yang panas menjadi dingin terlebih dahulu sebelum diisi ulang.
4. Isi ulang daya kartrid baterai jika Anda tidak menggunakannya untuk jangka waktu yang lama (lebih dari enam bulan).

DESKRIPSI BAGIAN-BAGIAN MESIN

► Gbr.1

1	Penahan stasioner	2	Penahan bergerak	3	Dadu potong	4	Baut
5	Kait	6	Dudukan tali bahu (untuk aksesoris pilihan)	7	Kunci L	8	Lampu (bagian dalam)
9	Bagian depan	10	Pelatur sakelar	11	Tuas sakelar pengganti arah	12	Pemandu batang
13	Skala pemandu	14	Sekrup penjepit	15	Tutup	-	-

DESKRIPSI FUNGSI

⚠PERHATIAN: Selalu pastikan bahwa mesin dimatikan dan kartrid baterai dilepas sebelum menyatel atau memeriksa kerja mesin.

Memasang atau melepas baterai

⚠PERHATIAN: Selalu matikan mesin sebelum memasang atau melepas kartrid baterai.

⚠PERHATIAN: Pegang mesin dan kartrid baterai kuat-kuat saat memasang atau melepas kartrid baterai. Kelalaian untuk memegang mesin dan kartrid baterai kuat-kuat bisa menyebabkan keduanya tergelincir dari tangan Anda dan mengakibatkan kerusakan pada mesin dan kartrid baterai dan cedera diri.

- **Gbr.2:** 1. Indikator berwarna merah 2. Tombol 3. Kartrid baterai

Untuk melepas kartrid baterai, geser dari mesin sambil menggeser tombol pada bagian depan kartrid.

Untuk memasang kartrid baterai, sejajarkan lidah kartrid baterai dengan alur pada rumah dan masukkan ke dalam tempatnya. Masukkan seluruhnya sampai terkunci pada tempatnya dan terdengar bunyi klik kecil. Jika Anda bisa melihat indikator berwarna merah pada sisi atas tombol, berarti tidak terkunci sepenuhnya.

⚠PERHATIAN: Selalu pasang kartrid baterai sepenuhnya sampai indikator berwarna merah tidak terlihat. Jika tidak, bisa terlepas dari mesin secara tidak sengaja, menyebabkan luka pada Anda atau orang di sekitar Anda.

⚠PERHATIAN: Jangan memasang kartrid baterai secara paksa. Jika kartrid tidak bergeser dengan mudah, berarti tidak dimasukkan dengan benar.

Sistem perlindungan mesin / baterai

Mesin ini dilengkapi dengan sistem perlindungan mesin/ baterai. Sistem ini memutus daya ke motor secara otomatis untuk memperpanjang umur pemakaian mesin dan baterai. Mesin akan berhenti secara otomatis saat penggunaan jika mesin atau baterai berada dalam salah satu kondisi berikut ini. Dalam kondisi yang sama, indikator akan menyala.

Perlindungan kelebihan beban

Bila mesin dijalankan dengan cara yang menyebabkannya menarik arus tinggi yang tidak normal, mesin akan berhenti secara otomatis tanpa menunjukkan apa-apa. Untuk situasi ini, matikan mesin dan hentikan pekerjaan yang menyebabkan mesin mengalami kelebihan beban. Kemudian nyalakan mesin untuk memulai lagi pekerjaan.

CATATAN: Perlindungan kelebihan berat aktif saat Anda mencoba memotong jenis batang berulir berikut.

- Batang berulir yang lebih besar dari ukuran pemotong ulir.
- Batang berulir yang lebih keras dari kapasitas pemotongan pemotong ulir.

Perlindungan panas berlebih

Saat mengalami kelebihan panas, mesin berhenti secara otomatis dan lampu LED akan berkedip. Biarkan mesin menjadi dingin sebelum dinyalakan kembali.

Perlindungan pengisian daya berlebih

Ketika kapasitas baterai melemah, mesin akan berhenti secara otomatis. Jika produk tidak beroperasi bahkan ketika sakelar digunakan, lepaskan baterai dari mesin dan isi daya baterai.

Mengindikasikan kapasitas baterai yang tersisa

Hanya untuk kartrid baterai dengan indikator

► **Gbr.3:** 1. Lampu indikator 2. Tombol pemeriksaan

Tekan tombol pemeriksaan pada kartrid baterai untuk melihat kapasitas baterai yang tersisa. Lampu indikator menyala selama beberapa detik.

Lampu indikator			Kapasitas yang tersisa
Menyala	Mati	Berkedip	
■	□	◐	
■ ■ ■ ■			75% hingga 100%
■ ■ ■ □			50% hingga 75%
■ ■ □ □			25% hingga 50%
■ □ □ □			0% hingga 25%
◐ □ □ □			Isi ulang baterai.
■ ■ □ □	↑	↓	Baterai mungkin sudah rusak.
□ □ ■ ■			

CATATAN: Tergantung kondisi penggunaan dan suhu lingkungannya, penunjukkan mungkin saja sedikit berbeda dari kapasitas sebenarnya.

Kerja sakelar

PERHATIAN: Sebelum memasukkan kartrid baterai pada mesin, pastikan picu saklar berfungsi dengan baik dan kembali ke posisi "OFF" saat dilepas.

Untuk memulai pengoperasian pemotongan, lanjutkan menarik pelatuk sakelar. Dadu potong pada penahan bergerak akan berada di atas dadu pada penahan stasioner lalu kembali. Jika Anda melepaskan pelatuk sakelar sebelum menyelesaikan pemotongan, pemotong ulir akan berhenti.

► **Gbr.4:** 1. Pelatuk sakelar

► **Gbr.5:** 1. Penahan stasioner 2. Dadu potong 3. Penahan bergerak

PEMBERITAHUAN: Jangan mengoperasikan mesin tanpa beban yang tidak diperlukan.

Fungsi berhenti otomatis

Saat Anda melanjutkan menarik pelatuk sakelar, rahang pemotong akan menutup dan kembali ke posisi terbuka penuh lalu berhenti. Lepaskan pelatuk lalu tarik kembali untuk memulai urutan pemotongan berikutnya.

Tuas sakelar pengganti arah

PERINGATAN: Saat mesin tidak digunakan, selalu atur tuas sakelar pengganti arah ke posisi terkunci.

PERHATIAN: Selalu pastikan posisi tuas sakelar pengganti arah sebelum pengoperasian.

PEMBERITAHUAN: Jangan pindahkan tuas sakelar pengganti arah saat pelatuk sakelar ditarik. Hal tersebut dapat menyebabkan kerusakan pada mesin.

Untuk memulai pengoperasian pemotongan, atur tuas sakelar pengganti arah ke posisi pemotongan. Untuk membalik urutan pemotongan, atur tuas sakelar pengganti arah ke posisi berbalik. Saat Anda melanjutkan menarik pelatuk sakelar, rahang pemotong ulir terbuka dan berhenti pada posisi terbuka penuh. Untuk mengunci pelatuk sakelar, atur tuas sakelar pengganti arah ke posisi terkunci. Pelatuk sakelar tidak dapat ditarik di posisi ini.

► **Gbr.6:** 1. Tuas sakelar pengganti arah 2. Posisi pemotongan 3. Posisi terkunci 4. Posisi berbalik

PEMBERITAHUAN: Ketika tuas sakelar pengganti arah pada posisi berbalik, jalankan mesin hanya ketika dibutuhkan. Untuk mencegah kerusakan, mesin akan berhenti secara otomatis saat bekerja dalam posisi berbalik secara terus-menerus.

CATATAN: Setelah pemotongan, jika Anda melepaskan pelatuk sakelar saat rahang pemotong ulir terbuka dan mengatur tuas sakelar pengganti arah ke posisi berbalik, rahang akan segera tertutup dan terbuka saat Anda kembali menarik pelatuk sakelar.

Lampu LED

PERHATIAN: Jangan melihat lampu atau sumber cahaya secara langsung.

Tarik pelatuk sakelar untuk menyalakan lampu. Lampu tetap menyala selama pelatuk sakelar ditarik. Lampu akan padam kira-kira 15 detik setelah melepas pelatuk sakelar.

► **Gbr.7:** 1. Lampu (bagian dalam)

CATATAN: Gunakan kain kering untuk mengelap kotoran dari lensa lampu. Hati-hati jangan sampai menggores lensa lampu, atau hal tersebut dapat menurunkan tingkat penerangannya.

CATATAN: Saat mesin mengalami kelebihan panas, lampu akan berkedip. Dalam hal ini, biarkan mesin menjadi dingin.

Skala pemandu

Gunakan skala pemandu jika Anda ingin memotong batang berulir dengan panjang yang sama. Masukkan skala pemandu ke dalam lubang seperti ditunjukkan pada gambar.

► **Gbr.8:** 1. Skala pemandu 2. Sekrup penjepit

Sejajarkan nilai panjang yang Anda inginkan pada skala pemandu dengan garis pemotongan. Kemudian kencangkan sekrup penjepit.

► **Gbr.9:** 1. Skala pemandu 2. Garis pemotongan 3. Sekrup penjepit

PERHATIAN: Jangan menahan skala pemandu untuk membawa atau mengendalikan mesin. Mesin dapat terjatuh dan menyebabkan cedera badan dan/atau kerusakan mesin.

Pemandu batang

Untuk pemotongan yang presisi, atur pemandu batang di posisi yang bergantung pada diameter batang berulir yang akan dipotong.

► **Gbr.10:** 1. Pemandu batang (Posisi 1) 2. Pemandu batang (Posisi 2)

Terdapat dua posisi pemandu batang.

Posisi	Ukuran batang berulir
1	W3/8, 3/8-16UNC, M10
2	W5/16, W1/4, 5/16-18UNC, 1/4-20UNC, M8, M6

Kait

PERHATIAN: Jangan sekali-kali mengaitkan mesin di lokasi yang berangin atau permukaan yang berpotensi tidak stabil.

PERHATIAN: Jangan gunakan kait yang cacat atau rusak.

PERHATIAN: Saat mengoperasikan mesin, selalu lipat kait.

Kait berguna untuk menggantung mesin sementara.

► **Gbr.11:** 1. Kait

PERHATIAN: Jangan menggantung kait dari ikat pinggang. Hal tersebut dapat mengakibatkan cedera pribadi dan/atau merusak mesin jika terjatuh.

► **Gbr.12**

Penyimpanan kunci L

Saat tidak digunakan, simpan kunci L seperti terlihat pada gambar agar tidak hilang.

► **Gbr.13:** 1. Kunci L

Tali bahu

Pilihan Aksesori

Tali bahu berguna untuk membawa mesin.

► **Gbr.14:** 1. Tali bahu 2. Ujung sabuk 3. Gesper

PERHATIAN: Selalu gunakan tali bahu menyilang di badan Anda dan dengan panjang yang sesuai.

PERHATIAN: Jangan gunakan tali bahu yang rusak.

PERHATIAN: Sisakan panjang yang cukup antara gesper dan ujung sabuk untuk mencegah ujung sabuk terlepas dari gesper.

PERAKITAN

PERHATIAN: Selalu pastikan bahwa mesin dimatikan dan kartrid baterai dilepas sebelum melakukan pekerjaan apa pun pada mesin.

Memasang pemotong ulir

PERHATIAN: Selalu pasang pemotong ulir dengan arah yang benar dan kencangkan dengan kuat. Pemasangan yang tidak benar atau longgar dapat menyebabkan kerusakan pemotong ulir, yang mengakibatkan cedera badan karena pecahan yang terlempar.

PEMBERITAHUAN: Hilangkan burr pada pemotong ulir menggunakan kikir jika ada.

1. Periksa apakah rahang pemotong ulir terbuka penuh. Jika tidak, periksa baterai dan tarik pelatuk sakelar hingga rahang terbuka penuh.

PERHATIAN: Pastikan untuk melepaskan kartrid baterai jika terpasang.

2. Atur tuas sakelar pengganti arah ke posisi terkunci.
 - **Gbr.15:** 1. Tuas sakelar pengganti arah
3. Kendurkan baut dengan kunci L yang disediakan.

PERHATIAN: Gunakan hanya kunci pas Makita yang tersedia bersama mesin. Menggunakan kunci pas lain dapat mengakibatkan pengencangan yang berlebih atau kurang yang dapat menyebabkan cedera badan.

4. Atur pemotong ulir ke penahan sehingga dua tanda berwarna dapat terlihat.
 - **Gbr.16:** 1. Baut 2. Dadu potong 3. Penahan stasioner 4. Penahan bergerak 5. Tanda berwarna 6. Kunci L

5. Kencangkan pemotong ulir menggunakan baut dengan kuat.

Pemotong ulir terpasang dengan benar jika tanda panah di atasnya menunjuk ke arah satu sama lain. Dimensi pemotong ulir adalah sama tetapi ketebalannya tampak berbeda jika dilihat dari atas.

- **Gbr.17:** 1. Tanda panah 2. Dadu potong 3. Sisi tipis 4. Sisi tebal

PENGGUNAAN

PERHATIAN: Pastikan pemotong ulir dengan ukuran yang tepat terpasang ke mesin. Periksa kapasitas pemotongan yang tertulis pada pemotong ulir sebelum pemotongan.

PERHATIAN: Sebelum menarik pelatuk sakelar, pastikan untuk mengatur batang berulir sehingga ulirnya pas dengan ulir pemotong ulir. Kesejajaran ulir yang tidak benar dapat merusak pemotong ulir dan menyebabkan cedera badan karena pecahan yang terlempar.

PERHATIAN: Ganti pemotong ulir jika tepi potong cuil atau cacat.

Saat memotong, tempatkan batang berulir tegak lurus dengan garis pemotongan seperti ditunjukkan pada gambar.

- **Gbr.18:** 1. Garis pemotongan

CATATAN: Saat memotong batang berulir yang terbuat dari logam yang dapat bengkok seperti baja tahan karat, burr dapat timbul di ujung potongan. Hilangkan burr dengan kikir dalam kasus ini.

- **Gbr.19:** 1. Batang berulir 2. Burr

Memotong batang berulir yang dikencangkan

Saat memotong batang berulir yang dikencangkan pada struktur bangunan seperti langit-langit, dinding, lantai, dll., ikuti prosedur berikut :

- **Gbr.20:** 1. Batang berulir 2. Dadu potong pada penahan stasioner

1. Letakkan mesin sehingga batang berulir terletak di antara pemotong ulir.
2. Saat batang berulir menyentuh pemandu batang, sesuaikan ulir batang dengan ulir dadu potong pada penahan stasioner.
3. Tarik dan tahan pelatuk sakelar sampai pemotongan selesai dan rahang pemotong ulir di posisi terbuka penuh.

PEMBERITAHUAN: Bersihkan bagian depan mesin dan ujung skala pemandu sebelum pengoperasian. Hal ini dapat mengotori permukaan yang bersentuhan.

Memotong batang berulir yang longgar

Saat memotong batang berulir yang longgar di lantai atau meja kerja, ikuti prosedur berikut :

- **Gbr.21:** 1. Batang berulir 2. Dadu potong pada penahan stasioner

1. Posisikan batang berulir di antara pemotong ulir.
2. Saat batang berulir menyentuh pemandu batang, sesuaikan ulir batang dengan ulir dadu potong pada penahan stasioner.
3. Tarik dan tahan pelatuk sakelar sampai pemotongan selesai dan rahang pemotong ulir di posisi terbuka penuh.

Saat memotong batang berulir panjang yang sulit ditahan dengan tangan, tempatkan mesin seperti yang diilustrasikan. Mesin dapat ditempatkan dengan rata. Tutup juga dapat digunakan untuk menahan ujung batang berulir.

- **Gbr.22:** 1. Tutup (Posisi 1) 2. Pemandu batang (Posisi 1) 3. Tutup (Posisi 2) 4. Pemandu batang (Posisi 2)

Tutup memiliki tanda untuk menunjukkan posisinya. Tergantung pada ukuran batang berulir, pasang tutup di posisi yang ditunjukkan di meja serta pemandu batang.

Posisi	Ukuran batang berulir
1	W3/8, 3/8-16UNC, M10
2	W5/16, W1/4, 5/16-18UNC, 1/4-20UNC, M8, M6

Keluar di tengah pemotongan

⚠️ PERHATIAN: Jangan pernah mencoba untuk menarik mesin secara paksa dari batang berulir. Hal ini dapat menyebabkan penyalaan tak terduga yang menyebabkan cedera badan atau merusak pemotong ulir dan mesin.

Saat berhenti di tengah pemotongan, atur tuas sakelar pengganti arah ke posisi berbalik lalu tarik pelatuk sakelar hingga batang berulir sepenuhnya terlepas dari pemotong ulir.

PERAWATAN

⚠️ PERHATIAN: Selalu pastikan bahwa mesin dimatikan dan kartrid baterai dilepas sebelum melakukan pemeriksaan atau perawatan.

PEMBERITAHUAN: Jangan sekali-kali menggunakan bensin, tiner, alkohol, atau bahan sejenisnya. Penggunaan bahan demikian dapat menyebabkan perubahan warna, perubahan bentuk atau timbulnya retakan.

Mengganti pemotong ulir

PEMBERITAHUAN: Ganti kedua pemotong ulir pada waktu yang sama. Mengganti satu sisi dadu potong dapat menghasilkan burr pada batang berulir.

Ganti pemotong ulir yang cuil, cacat, atau saat pemotongan menjadi tumpul. Untuk mengganti, ikuti instruksi di "Memasang pemotong ulir".

► **Gbr.23:** 1. Penyerpihan 2. Perubahan bentuk

Satu dadu potong memiliki dua tepi potong dan sisi tebal serta sisi tipis. Ganti posisi pemasangan pemotong ulir jika Anda belum menggunakan sisi tepi potong yang lainnya.

► **Gbr.24:** 1. Tepi potong 2. Sisi tipis 3. Sisi tebal

Membawa/menyimpan mesin

⚠️ PERHATIAN: Saat mesin tidak digunakan, selalu pasang tutup yang tersedia ke bagian pemotongan.

Pasang tutup saat membawa mesin.

Saat menyimpan mesin, lepaskan kartrid baterai dan skala pemandu dari mesin. Bersihkan debu pada pemotong ulir dan komponen mesin yang bergerak. Setelah itu, pasang tutup.

► **Gbr.25:** 1. Tutup

Untuk menjaga KEAMANAN dan KEANDALAN mesin, perbaikan, perawatan atau penyetulan lainnya harus dilakukan oleh Pusat Layanan Resmi atau Pabrik Makita; selalu gunakan suku cadang pengganti buatan Makita.

AKSESORI PILIHAN

⚠️ PERHATIAN: Dianjurkan untuk menggunakan aksesori atau perangkat tambahan ini dengan mesin Makita Anda yang ditentukan dalam petunjuk ini. Penggunaan aksesori atau perangkat tambahan lain bisa menyebabkan risiko cedera pada manusia. Hanya gunakan aksesori atau perangkat tambahan sesuai dengan peruntukannya.

Jika Anda memerlukan bantuan lebih rinci berkenaan dengan aksesori ini, tanyakan pada Pusat Layanan Makita terdekat.

- Pemotong ulir
- Tali bahu
- Baterai dan pengisi daya asli buatan Makita

CATATAN: Beberapa item dalam daftar tersebut mungkin sudah termasuk dalam paket mesin sebagai aksesori standar. Hal tersebut dapat berbeda dari satu negara ke negara lainnya.

THÔNG SỐ KỸ THUẬT

Kiểu máy:		DSC102
Khả năng cắt	Thép mềm	W3/8, W5/16, W1/4, 3/8-16UNC, 5/16-18UNC, 1/4-20UNC, M10, M8, M6
	Thép không gỉ	W3/8, 5/16-18UNC, M8, M6
Chiều dài tổng thể		199 mm
Điện áp định mức		D.C. 18 V D.C. 14,4 V
Khối lượng tịnh		2,8 - 3,2 kg

- Do chương trình nghiên cứu và phát triển liên tục của chúng tôi nên các thông số kỹ thuật trong đây có thể thay đổi mà không cần thông báo trước.
- Các thông số kỹ thuật có thể thay đổi tùy theo từng quốc gia.
- Khối lượng có thể khác nhau tùy thuộc vào (các) phụ kiện, bao gồm cả hộp pin. Tổ hợp nhẹ nhất và nặng nhất, theo Quy trình EPTA 01/2014, được trình bày trong bảng.

Hộp pin và sạc pin có thể áp dụng







Hộp pin	Kiểu D.C. 14,4 V	BL1415N / BL1430 / BL1430B / BL1440 / BL1450 / BL1460B
	Kiểu D.C. 18 V	BL1815N / BL1820 / BL1820B / BL1830 / BL1830B / BL1840 / BL1840B / BL1850 / BL1850B / BL1860B
Bộ sạc		DC18RC / DC18RD / DC18RE / DC18SD / DC18SE / DC18SF

- Một số hộp pin và sạc pin được nêu trong danh sách ở trên có thể không khả dụng tùy thuộc vào khu vực cư trú của bạn.

⚠ CẢNH BÁO: Chỉ sử dụng hộp pin và sạc pin được nêu trong danh sách ở trên. Việc sử dụng bất cứ hộp pin và sạc pin nào khác có thể gây ra thương tích và/hoặc hỏa hoạn.

Ký hiệu

Phản dưới đây cho biết các ký hiệu được dùng cho thiết bị. Đảm bảo rằng bạn hiểu rõ ý nghĩa của các ký hiệu này trước khi sử dụng.

	Đọc tài liệu hướng dẫn.
	Mang kính an toàn.
	
	Không được chạm vào khuôn cắt trong quá trình vận hành.
	Hãy chú ý đến thanh ren đã cắt.
	Không để mặt của bạn gần dụng cụ trong quá trình vận hành.



Chỉ dành cho các quốc gia EU
Không thải bỏ thiết bị điện hoặc bộ pin cùng với các chất thải sinh hoạt!
Để tuân thủ các Chỉ thị của Châu Âu về thiết bị điện và điện tử thải bỏ, và về pin và ắc quy và pin và ắc quy thải bỏ, và thi hành những chỉ thị này phù hợp với luật lệ quốc gia, các thiết bị điện tử và pin và (các) bộ pin không còn sử dụng được nữa phải được thu nhặt riêng và đưa trở lại một cơ sở tái chế tương thích với môi trường.

Mục đích sử dụng

Dụng cụ này được dùng để cắt các thanh ren.

CẢNH BÁO AN TOÀN

Cảnh báo an toàn chung dành cho dụng cụ máy

⚠CẢNH BÁO: Xin đọc tất cả các cảnh báo an toàn, hướng dẫn, minh họa và thông số kỹ thuật đi kèm với dụng cụ máy này. Việc không tuân theo các hướng dẫn được liệt kê dưới đây có thể dẫn đến điện giật, hỏa hoạn và/hoặc thương tích nghiêm trọng.

Lưu giữ tất cả cảnh báo và hướng dẫn để tham khảo sau này.

Thuật ngữ “dụng cụ máy” trong các cảnh báo đề cập đến dụng cụ máy (có dây) được vận hành bằng nguồn điện chính hoặc dụng cụ máy (không dây) được vận hành bằng pin của bạn.

An toàn tại nơi làm việc

- Giữ nơi làm việc sạch sẽ và có đủ ánh sáng.**
Nơi làm việc bừa bộn hoặc tối thường dễ gây ra tai nạn.
- Không vận hành dụng cụ máy trong môi trường cháy nổ, ví dụ như môi trường có sự hiện diện của các chất lỏng, khí hoặc bụi dễ cháy.** Các dụng cụ máy tạo tia lửa điện có thể làm bụi hoặc khí bốc cháy.
- Giữ trẻ em và người ngoài tránh xa nơi làm việc khi đang vận hành dụng cụ máy.** Sự xao lãng có thể khiến bạn mất khả năng kiểm soát.

An toàn về Điện

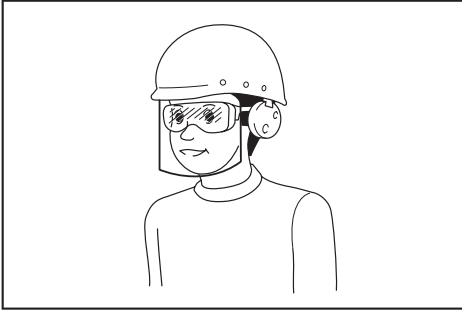
- Phích cắm của dụng cụ máy phải khớp với ổ cắm. Không được sửa đổi phích cắm theo bất kỳ cách nào. Không sử dụng bất kỳ phích chuyển đổi nào với các dụng cụ máy được nối đất (tiếp đất).** Các phích cắm còn nguyên vẹn và ổ cắm phù hợp sẽ giảm nguy cơ điện giật.
- Tránh để cơ thể tiếp xúc với các bề mặt nóng hoặc tiếp đất như đường ống, bộ tản nhiệt, bếp ga và tủ lạnh.** Nguy cơ bị điện giật sẽ tăng lên nếu cơ thể bạn được nối đất hoặc tiếp đất.
- Không để dụng cụ máy tiếp xúc với mưa hoặc trong điều kiện ẩm ướt.** Nước lọt vào dụng cụ máy sẽ làm tăng nguy cơ điện giật.
- Không lạm dụng dây điện. Không được phép sử dụng dây để mang, kéo hoặc tháo phích cắm dụng cụ máy. Giữ dây tránh xa nguồn nhiệt, dầu, các mép sắc hoặc các bộ phận chuyển động.** Dây bị hỏng hoặc bị rối sẽ làm tăng nguy cơ điện giật.
- Khi vận hành dụng cụ máy ngoài trời, hãy sử dụng dây kéo dài phù hợp cho việc sử dụng ngoài trời.** Việc dùng dây phù hợp cho việc sử dụng ngoài trời sẽ giảm nguy cơ điện giật.

- Nếu bắt buộc phải vận hành dụng cụ máy ở nơi ẩm ướt, hãy sử dụng nguồn cấp điện được bảo vệ bằng thiết bị ngắt dòng điện rò (RCD).** Việc sử dụng RCD sẽ làm giảm nguy cơ điện giật.
- Các dụng cụ máy có thể tạo ra từ trường điện (EMF) có hại cho người dùng.** Tuy nhiên, người dùng máy trợ tim và những thiết bị y tế tương tự khác nên liên hệ với nhà sản xuất thiết bị và/hoặc bác sĩ để được tư vấn trước khi vận hành dụng cụ này.

An toàn Cá nhân

- Luôn tỉnh táo, quan sát những việc bạn đang làm và sử dụng những phán đoán theo kinh nghiệm khi vận hành dụng cụ máy. Không sử dụng dụng cụ máy khi bạn đang mệt mỏi hoặc chịu ảnh hưởng của ma túy, rượu hay thuốc.** Chỉ một khoảnh khắc không tập trung khi đang vận hành dụng cụ máy cũng có thể dẫn đến thương tích cá nhân nghiêm trọng.
- Sử dụng thiết bị bảo hộ cá nhân. Luôn đeo thiết bị bảo vệ mắt.** Các thiết bị bảo hộ như mặt nạ chống bụi, giày an toàn chống trượt, mũ bảo hộ hay thiết bị bảo vệ thính giác được sử dụng trong các điều kiện thích hợp sẽ giúp giảm thương tích cá nhân.
- Tránh vô tình khởi động dụng cụ máy. Đảm bảo công tắc ở vị trí off (tắt) trước khi nối nguồn điện và/hoặc bộ pin, cầm hoặc di chuyển dụng cụ máy.** Việc di chuyển dụng cụ máy khi đang đặt ngón tay ở vị trí công tắc hoặc cấp điện cho dụng cụ máy đang bật thường dễ gây ra tai nạn.
- Tháo tất cả các khóa hoặc cờ lê điều chỉnh trước khi bật dụng cụ máy.** Việc cờ lê hoặc khóa vẫn còn gắn vào bộ phận quay của dụng cụ máy có thể dẫn đến thương tích cá nhân.
- Không vơi quá cao. Luôn giữ thăng bằng tốt và có chỗ để chân phù hợp.** Điều này cho phép điều khiển dụng cụ máy tốt hơn trong những tình huống bất ngờ.
- Ăn mặc phù hợp. Không mặc quần áo rộng hay đeo đồ trang sức. Giữ tóc và quần áo tránh xa các bộ phận chuyển động.** Quần áo rộng, đồ trang sức hay tóc dài có thể mắc vào các bộ phận chuyển động.
- Nếu các thiết bị được cung cấp để kết nối các thiết bị thu gom và hút bụi, hãy đảm bảo chúng được kết nối và sử dụng hợp lý.** Việc sử dụng thiết bị thu gom bụi có thể làm giảm những mối nguy hiểm liên quan đến bụi.
- Không vì quen thuộc do thường xuyên sử dụng các dụng cụ mà cho phép bạn trở nên tự mãn và bỏ qua các nguyên tắc an toàn dụng cụ.** Một hành động bất cẩn có thể gây ra thương tích nghiêm trọng trong một phần của một giây.

9. Luôn luôn mang kính bảo hộ để bảo vệ mắt khỏi bị thương khi đang sử dụng các dụng cụ máy. Kính bảo hộ phải tuân thủ ANSI Z87.1 ở Mỹ, EN 166 ở Châu Âu, hoặc AS/NZS 1336 ở Úc/New Zealand. Tại Úc/New Zealand, theo luật pháp, bạn cũng phải mang mặt nạ che mặt để bảo vệ mặt.



Trách nhiệm của chủ lao động là bắt buộc người vận hành dụng cụ và những người khác trong khu vực làm việc cạnh đó phải sử dụng các thiết bị bảo hộ an toàn thích hợp.

Sử dụng và bảo quản dụng cụ máy

1. Không dùng lực đối với dụng cụ máy. Sử dụng đúng dụng cụ máy cho công việc của bạn. Sử dụng đúng dụng cụ máy sẽ giúp thực hiện công việc tốt hơn và an toàn hơn theo giá trị định mức được thiết kế của dụng cụ máy đó.
2. Không sử dụng dụng cụ máy nếu công tắc không bật và tắt được dụng cụ máy đó. Mọi dụng cụ máy không thể điều khiển được bằng công tắc đều rất nguy hiểm và phải được sửa chữa.
3. Rút phích cắm ra khỏi nguồn điện và/hoặc tháo kết nối bộ pin khỏi dụng cụ máy, nếu có thể tháo rời trước khi thực hiện bất kỳ công việc điều chỉnh, thay đổi phụ tùng hay cất giữ dụng cụ máy nào. Những biện pháp an toàn phòng ngừa này sẽ giảm nguy cơ vô tình khởi động dụng cụ máy.
4. Cất giữ các dụng cụ máy không sử dụng ngoài tầm với của trẻ em và không cho bất kỳ người nào không có hiểu biết về dụng cụ máy hoặc các hướng dẫn này vận hành dụng cụ máy. Dụng cụ máy sẽ rất nguy hiểm nếu được sử dụng bởi những người dùng chưa qua đào tạo.
5. Bảo dưỡng dụng cụ máy và các phụ kiện. Kiểm tra tình trạng lệch trục hoặc bó kẹt của các bộ phận chuyên động, hiện tượng nứt vỡ của các bộ phận và mọi tình trạng khác mà có thể ảnh hưởng đến hoạt động của dụng cụ máy. Nếu có hỏng hóc, hãy sửa chữa dụng cụ máy trước khi sử dụng. Nhiều tai nạn xảy ra là do không bảo quản tốt dụng cụ máy.
6. Luôn giữ cho dụng cụ cắt được sắc bén và sạch sẽ. Những dụng cụ cắt được bảo quản tốt có mức cắt sắc sẽ ít bị kẹt hơn và dễ điều khiển hơn.

7. Sử dụng dụng cụ máy, phụ tùng và đầu dụng cụ cắt, v.v... theo các hướng dẫn này, có tính đến điều kiện làm việc và công việc được thực hiện. Việc sử dụng dụng cụ máy cho các công việc khác với công việc dự định có thể gây nguy hiểm.
8. Giữ tay cầm và bề mặt tay cầm khô, sạch, không dính dầu và mỡ. Tay cầm trơn trượt và bề mặt tay cầm không cho phép xử lý an toàn và kiểm soát dụng cụ trong các tình huống bất ngờ.
9. Khi sử dụng dụng cụ, không được đi giày tay lao động bằng vải, có thể bị vướng. Việc giày tay lao động bằng vải vướng vào các bộ phận chuyên động có thể gây ra thương tích cá nhân.

Sử dụng và bảo quản dụng cụ dùng pin

1. Chỉ sạc pin lại với bộ sạc do nhà sản xuất quy định. Bộ sạc phù hợp với một loại bộ pin này có thể gây ra nguy cơ hỏa hoạn khi được dùng cho một bộ pin khác.
2. Chỉ sử dụng các dụng cụ máy với các bộ pin được quy định cụ thể. Việc sử dụng bất cứ bộ pin nào khác có thể gây ra thương tích và hỏa hoạn.
3. Khi không sử dụng bộ pin, hãy giữ tránh xa các đồ vật khác bằng kim loại, chẳng hạn như kẹp giấy, tiền xu, chìa khóa, đinh, ốc vít hoặc các vật nhỏ bằng kim loại mà có thể làm nối tắt các đầu cực pin. Các đầu cực pin bị đoản mạch có thể gây cháy hoặc hỏa hoạn.
4. Trong điều kiện sử dụng quá mức, pin có thể bị chảy nước; hãy tránh tiếp xúc. Nếu vô tình tiếp xúc với pin bị chảy nước, hãy rửa sạch bằng nước. Nếu dung dịch từ pin tiếp xúc với mắt, cần đi khám bác sĩ thêm. Dung dịch chảy ra từ pin có thể gây rát da hoặc bỏng.
5. Không sử dụng bộ pin hoặc dụng cụ bị hư hỏng hoặc đã bị sửa đổi. Pin đã bị hư hỏng hoặc đã bị sửa đổi có thể hành động theo cách không thể đoán trước dẫn đến cháy, nổ hoặc nguy cơ chấn thương.
6. Không để bộ pin hoặc dụng cụ tiếp xúc với lửa hoặc nhiệt độ quá cao. Tiếp xúc với lửa hoặc nhiệt độ trên 130 °C có thể gây ra cháy nổ.
7. Làm theo tất cả các hướng dẫn sạc pin và không dùng sạc bộ pin hoặc dụng cụ vượt giới hạn nhiệt độ quy định trong hướng dẫn. Sạc pin không đúng hoặc ở nhiệt độ vượt giới hạn nhiệt độ có thể gây hư hỏng cho pin và làm tăng nguy cơ cháy.

Bảo dưỡng

1. Để nhân viên sửa chữa đủ trình độ bảo dưỡng dụng cụ máy của bạn và chỉ sử dụng các bộ phận thay thế đồng nhất. Việc này sẽ đảm bảo duy trì được độ an toàn của dụng cụ máy.
2. Không bao giờ sử dụng bộ pin đã hỏng. Dịch vụ bảo hành bộ pin chỉ nên thực hiện bởi nhà sản xuất hoặc các nhà cung cấp dịch vụ được ủy quyền.
3. Tuân theo hướng dẫn dành cho việc bôi trơn và thay phụ tùng.

Cảnh báo an toàn đối với máy chấn thép ren cầm tay hoạt động bằng pin

1. Cầm chắc dụng cụ.
2. Cố định chặt phôi gia công.
3. Giữ mắt và tay tránh xa các bộ phận chuyển động. Trong quá trình cắt, các bộ phận của thanh ren có thể văng ra.
4. Luôn mang găng tay khi xử lý các thanh ren. Các mép và mặt vụn của vật gia công thường sắc cạnh.
5. Không được đặt dụng cụ máy lên các mặt vụn của vật gia công. Nếu không chúng có thể gây hư hỏng và làm trượt dụng cụ.
6. Luôn chắc chắn rằng bạn có chỗ tựa chân vững chắc. Đảm bảo rằng không có ai ở bên dưới khi sử dụng dụng cụ ở những vị trí trên cao.
7. Không chạm vào mép cắt hay phôi gia công ngay sau khi vận hành; chúng có thể rất nóng và có thể gây bỏng da.
8. Tránh cắt nhầm các dây điện. Điều này có thể gây ra tai nạn nghiêm trọng do điện giật.
9. Luôn giữ chặt thanh ren trong và sau khi cắt để phòng ngừa thanh ren đã cắt rơi xuống. Thanh ren đã cắt có thể dẫn đến thương tích cá nhân nghiêm trọng nếu rơi từ trên cao.
10. Giữ khoảng cách an toàn giữa cơ thể bạn với các bộ phận chuyển động. Không vận hành dụng cụ nếu khu vực làm việc quá hẹp để giữ khoảng cách an toàn.
11. Đừng bao giờ để dụng cụ ở vị trí cao hoặc trên bề mặt có khả năng không thăng bằng.

LƯU GIỮ CÁC HƯỚNG DẪN NÀY.

⚠ CẢNH BÁO: KHÔNG vì đã thoải mái hay quen thuộc với sản phẩm (có được do sử dụng nhiều lần) mà không tuân thủ nghiêm ngặt các quy định về an toàn dành cho sản phẩm này.

VIỆC DÙNG SAI hoặc không tuân theo các quy định về an toàn được nêu trong tài liệu hướng dẫn này có thể dẫn đến thương tích cá nhân nghiêm trọng.

Hướng dẫn quan trọng về an toàn dành cho hộp pin

1. Trước khi sử dụng hộp pin, hãy đọc kỹ tất cả các hướng dẫn và dấu hiệu cảnh báo trên (1) bộ sạc pin, (2) pin và (3) sản phẩm sử dụng pin.
2. Không tháo rời hộp pin.
3. Nếu thời gian vận hành ngắn hơn quá mức, hãy ngừng vận hành ngay lập tức. Điều này có thể dẫn đến rùi rò quá nhiệt, có thể gây bỏng và thậm chí là nổ.
4. Nếu chất điện phân rơi vào mắt, hãy rửa sạch bằng nước sạch và đến cơ sở y tế ngay lập tức. Chất này có thể khiến bạn giảm thị lực.

5. Không để hộp pin ở tình trạng đoản mạch:
 - (1) Không chạm vào cực pin bằng vật liệu dẫn điện.
 - (2) Tránh cất giữ hộp pin trong hộp có các vật kim loại khác như đinh, tiền xu, v.v...
 - (3) Không được để hộp pin tiếp xúc với nước hoặc mưa.
- Đoản mạch pin có thể gây ra dòng điện lớn, quá nhiệt, có thể gây bỏng và thậm chí là hỏng hóc.
6. Không cất giữ dụng cụ và hộp pin ở nơi nhiệt độ có thể lên tới hoặc vượt quá 50°C.
7. Không đốt hộp pin ngay cả khi hộp pin đã bị hư hại nặng hoặc hư hỏng hoàn toàn. Hộp pin có thể nổ khi tiếp xúc với lửa.
8. Hãy cẩn trọng không làm rơi hoặc làm méo pin.
9. Không sử dụng pin đã hỏng.
10. Pin nén lithium-ion là đối tượng có yêu cầu bắt buộc theo Luật Hàng hoá Nguy hiểm. Đối với vận tải thương mại, ví dụ như vận tải do bên thứ ba, đại lý giao nhận, thì yêu cầu đặc biệt về đóng gói và nhãn ghi phải được giám sát. Để chuẩn bị cho mặt hàng cần vận chuyển, cần phải tham khảo ý kiến chuyên gia về vật liệu nguy hiểm. Luôn được, vui lòng tuân thủ các quy định quốc gia chi tiết hơn. Buộc hoặc niêm phong các tiếp điểm mở và đóng gói pin theo cách đó để nó không thể di chuyển trong bao bì.
11. Tuân theo các quy định của địa phương liên quan đến việc thải bỏ pin.
12. Chỉ sử dụng pin cho các sản phẩm Makita chỉ định. Lắp pin vào sản phẩm không thích hợp có thể gây ra hỏa hoạn, quá nhiệt, nổ, hoặc rò chất điện phân.

LƯU GIỮ CÁC HƯỚNG DẪN NÀY.

⚠ THẬN TRỌNG: Chỉ sử dụng pin Makita chính hãng. Việc sử dụng pin không chính hãng Makita, hoặc pin đã được sửa đổi, có thể dẫn đến nổ pin gây ra cháy, thương tích và thiệt hại cá nhân. Nó cũng sẽ làm mất hiệu lực bảo hành của Makita dành cho dụng cụ của Makita và bộ sạc.

Mẹo duy trì tuổi thọ tối đa cho pin

1. Sạc hộp pin trước khi pin bị xả điện hoàn toàn. Luôn dừng việc vận hành dụng cụ và sạc pin khi bạn nhận thấy công suất dụng cụ bị giảm.
2. Không được phép sạc lại một hộp pin đã được sạc đầy. Sạc quá mức sẽ làm giảm tuổi thọ của pin.
3. Sạc pin ở nhiệt độ phòng 10°C - 40°C. Để cho hộp pin nóng nguội lại dần trước khi sạc pin.
4. Sạc pin sáu tháng một lần nếu bạn không sử dụng dụng cụ trong một thời gian dài (hơn sáu tháng).

MÔ TẢ CÁC BỘ PHẬN

► Hình1

1	Đế cố định	2	Đế di chuyển	3	Khuôn cắt	4	Bu-lông
5	Móc treo	6	Đế của dây đeo vai (đối với phụ kiện tùy chọn)	7	Cờ lê lục giác	8	Đèn (bên trong)
9	Mặt trước	10	Cần khởi động công tắc	11	Cần công tắc đảo chiều	12	Thanh dẫn
13	Thang đo thanh dẫn	14	Ốc xiết	15	Nắp che	-	-

MÔ TẢ CHỨC NĂNG

⚠ THẬN TRỌNG: Luôn đảm bảo rằng đã tắt dụng cụ và tháo hộp pin ra trước khi thực hiện việc điều chỉnh hoặc kiểm tra chức năng trên dụng cụ.

Lắp hoặc tháo hộp pin

⚠ THẬN TRỌNG: Luôn tắt dụng cụ trước khi lắp hoặc tháo hộp pin.

⚠ THẬN TRỌNG: Giữ dụng cụ và hộp pin thật chắc khi lắp hoặc tháo hộp pin. Không giữ dụng cụ và hộp pin thật chắc có thể làm trượt chúng khỏi tay và làm hư hỏng dụng cụ và hộp pin hoặc gây thương tích cá nhân.

► **Hình2:** 1. Đèn chỉ báo màu đỏ 2. Nút 3. Hộp pin

Để tháo hộp pin, vừa trượt pin ra khỏi dụng cụ vừa đẩy trượt nút ở phía trước hộp pin.

Để lắp hộp pin, đặt thẳng hàng phần chốt nhô ra của hộp pin vào phần rãnh nằm trên vỏ và trượt hộp pin vào vị trí. Đưa hộp pin vào cho đến khi chốt khóa vào đúng vị trí với một tiếng “cách” nhẹ. Nếu bạn vẫn còn nhìn thấy đèn chỉ báo màu đỏ ở mặt trên của nút, điều đó có nghĩa là chốt vẫn chưa được khóa hoàn toàn.

⚠ THẬN TRỌNG: Luôn lắp hộp pin khớp hoàn toàn vào vị trí cho đến khi không thể nhìn thấy đèn chỉ báo màu đỏ. Nếu không, hộp pin có thể vô tình rơi ra khỏi dụng cụ, gây thương tích cho bạn hoặc người khác xung quanh.

⚠ THẬN TRỌNG: Không được dùng sức lắp hộp pin. Nếu hộp pin không nhẹ nhàng trượt vào vị trí, có nghĩa là pin vẫn chưa được lắp đúng.

Hệ thống bảo vệ dụng cụ / pin

Dụng cụ này được trang bị hệ thống bảo vệ dụng cụ / pin. Hệ thống này sẽ tự động ngắt nguồn điện đến động cơ để kéo dài tuổi thọ dụng cụ và pin. Dụng cụ sẽ tự động dừng vận hành khi dụng cụ hoặc pin ở một trong những trường hợp sau đây. Trong một số trường hợp, các đèn chỉ báo này sẽ sáng lên.

Bảo vệ quá tải

Khi vận hành dụng cụ trong điều kiện làm máy tiêu tốn dòng cao bất thường, dụng cụ sẽ tự động dừng lại mà không có bất cứ dấu hiệu nào. Trong trường hợp này,

hãy tắt dụng cụ và ngừng ứng dụng làm cho dụng cụ trở nên quá tải. Sau đó bật dụng cụ lên để khởi động lại.

LƯU Ý: Bảo vệ quá tải kích hoạt khi bạn cố cắt những loại thanh ren sau đây.

- Thanh ren lớn hơn kích thước của khuôn cắt.
- Thanh ren cứng hơn công suất cắt của khuôn cắt.

Bảo vệ quá nhiệt

Khi dụng cụ quá nóng, dụng cụ sẽ tự động dừng lại và đèn LED sẽ nhấp nháy. Hãy để dụng cụ nguội dần trước khi bật dụng cụ một lần nữa.

Bảo vệ xả điện quá mức

Khi dung lượng pin yếu, thi dụng cụ sẽ tự động dừng. Nếu sản phẩm không vận hành ngay cả khi vận hành công tắc, hãy tháo pin ra khỏi dụng cụ và sạc pin.

Chỉ báo dung lượng pin còn lại

Chỉ dành cho hộp pin có đèn chỉ báo

► **Hình3:** 1. Các đèn chỉ báo 2. Nút Check (kiểm tra)

Ấn nút check (kiểm tra) trên hộp pin để chỉ báo dung lượng pin còn lại. Các đèn chỉ báo bật sáng lên trong vài giây.

Các đèn chỉ báo			Dung lượng còn lại
Bật sáng	Tắt	Nhấp nháy	
■ ■ ■ ■	□	◐	75% đến 100%
■ ■ ■ □	□	◐	50% đến 75%
■ ■ □ □	□	◐	25% đến 50%
■ □ □ □	□	◐	0% đến 25%
◐ □ □ □	□	◐	Sạc pin.
■ ■ □ □	□	◐	Pin có thể đã bị hỏng.
□ □ ■ ■	□	◐	

LƯU Ý: Tùy thuộc vào các điều kiện sử dụng và nhiệt độ xung quanh, việc chỉ báo có thể khác biệt một chút so với dung lượng thực sự.

Hoạt động công tắc

⚠ THẬN TRỌNG: Trước khi lắp hộp pin vào dụng cụ, luôn luôn kiểm tra xem cần khởi động công tắc có hoạt động bình thường hay không và trả về vị trí “OFF” (TẮT) khi nhả ra.

Để khởi động thao tác cắt, tiếp tục kéo cần khởi động công tắc. Khuôn cắt trên để di chuyển sẽ chông lên khuôn trên để cố định sau đó trả lại. Nếu bạn nhả cần khởi động công tắc trước khi hoàn tất việc cắt, khuôn cắt sẽ dừng lại.

► **Hình4:** 1. Cần khởi động công tắc

► **Hình5:** 1. Để cố định 2. Khuôn cắt 3. Để di chuyển

CHÚ Ý: Không vận hành dụng cụ ở chế độ không tải nếu không cần thiết.

Chức năng tự động dừng

Khi bạn tiếp tục kéo cần khởi động công tắc, ngàm kẹp của khuôn sẽ đóng một lần và trở về vị trí mở hoàn toàn sau đó dừng lại. Nhả cần khởi động và kéo lại lần nữa để bắt đầu trình tự cắt kế tiếp.

Cần công tắc đảo chiều

⚠ CẢNH BÁO: Khi không vận hành dụng cụ, luôn đặt cần công tắc đảo chiều ở vị trí khóa.

⚠ THẬN TRỌNG: Luôn luôn đảm bảo vị trí của cần công tắc đảo chiều trước khi vận hành.

CHÚ Ý: Không di chuyển cần công tắc đảo chiều khi cần khởi động công tắc đang được kéo. Điều này có thể gây ra hư hỏng cho dụng cụ.

Để khởi động thao tác cắt, đặt cần công tắc đảo chiều ở vị trí cắt.

Để làm ngược lại trình tự cắt, đặt cần công tắc đảo chiều ở vị trí đảo chiều. Khi bạn tiếp tục kéo cần khởi động công tắc, ngàm kẹp của khuôn cắt sẽ mở và dừng lại ở vị trí mở hoàn toàn.

Để khóa cần khởi động công tắc, đặt cần công tắc đảo chiều ở vị trí khóa. Không thể kéo cần khởi động công tắc tại vị trí này.

► **Hình6:** 1. Cần công tắc đảo chiều 2. Vị trí cắt 3. Vị trí khóa 4. Vị trí đảo chiều

CHÚ Ý: Khi cần công tắc đảo chiều ở vị trí đảo chiều, chỉ chạy dụng cụ khi cần thiết. Để tránh hư hỏng dụng cụ, dụng cụ sẽ tự động dừng lại khi nó chạy ở vị trí đảo chiều liên tục.

LƯU Ý: Sau khi cắt, nếu bạn nhả cần khởi động công tắc trong khi ngàm kẹp của khuôn cắt đang mở rồi sau đó đặt cần công tắc đảo chiều ở vị trí đảo chiều, ngàm kẹp sẽ đóng một lần rồi sau đó mở ra khi bạn kéo cần khởi động công tắc một lần nữa.

Đèn LED

⚠ THẬN TRỌNG: Đừng nhìn thẳng trực tiếp vào đèn hoặc nguồn sáng.

Kéo cần khởi động công tắc để bật sáng đèn. Đèn sẽ vẫn sáng trong lúc cần khởi động công tắc đang được kéo. Đèn sẽ tắt khoảng 15 giây sau khi nhả cần khởi động công tắc.

► **Hình7:** 1. Đèn (bên trong)

LƯU Ý: Dùng vải khô để lau bụi bẩn trên kính đèn. Cần thận không được làm xước kính đèn, nếu không đèn có thể bị giảm độ sáng.

LƯU Ý: Khi dụng cụ bị quá nhiệt, đèn sẽ nhấp nháy. Trong trường hợp này, hãy để dụng cụ nguội đi.

Thang đo thanh dẫn

Sử dụng thang đo thanh dẫn nếu bạn muốn cắt các thanh ren có cùng chiều dài. Lắp thang đo thanh dẫn vào lỗ như minh họa trong hình.

► **Hình8:** 1. Thang đo thanh dẫn 2. Ốc xiết

Căn chỉnh thẳng hàng giá trị độ dài mong muốn trên thang đo thanh dẫn với đường cắt. Sau đó vận chặt các ốc xiết lại.

► **Hình9:** 1. Thang đo thanh dẫn 2. Đường cắt 3. Ốc xiết

⚠ THẬN TRỌNG: Không giữ thang đo thanh dẫn để cầm hoặc nắm dụng cụ. Dụng cụ có thể rơi ra và có thể gây thương tích cá nhân và/hoặc làm hỏng dụng cụ.

Thanh dẫn

Để cắt chính xác, đặt thanh dẫn ở vị trí tùy theo đường kính của thanh ren được cắt.

► **Hình10:** 1. Thanh dẫn (Vị trí 1) 2. Thanh dẫn (Vị trí 2)

Có hai vị trí thanh dẫn.

Vị trí	Kích thước của thanh ren
1	W3/8, 3/8-16UNC, M10
2	W5/16, W1/4, 5/16-18UNC, 1/4-20UNC, M8, M6

Móc treo

⚠ THẬN TRỌNG: Đừng bao giờ móc dụng cụ ở vị trí có gió hoặc trên bề mặt có khả năng không thăng bằng.

⚠ THẬN TRỌNG: Không sử dụng móc treo khi nó bị biến dạng hoặc hư hỏng.

⚠ THẬN TRỌNG: Khi không vận hành dụng cụ, luôn gấp móc treo.

Móc treo thuận tiện để treo dụng cụ tạm thời.

► **Hình11:** 1. Móc treo

⚠ THẬN TRỌNG: Không treo móc treo từ đai lưng. Làm vậy có thể gây thương tích cá nhân và/hoặc làm hỏng dụng cụ nếu dụng cụ bị rơi.

► **Hình12**

Cất giữ cờ lê sáu cạnh

Khi không sử dụng, cất giữ cờ lê sáu cạnh như được minh họa trong hình để tránh làm mất.

► **Hình13:** 1. Cờ lê sáu cạnh

Dây đeo vai

Phụ kiện tùy chọn

Dây đeo vai rất thuận tiện để di chuyển dụng cụ.

► **Hình14:** 1. Dây đeo vai 2. Đầu dây đai 3. Khóa nịt

⚠ THẬN TRỌNG: Luôn luôn mang dây đeo vai chéo qua người của bạn và điều chỉnh độ dài cho phù hợp.

⚠ THẬN TRỌNG: Không sử dụng dây đeo vai nếu nó bị hư hỏng.

⚠ THẬN TRỌNG: Để lại độ dài đủ dài giữa khóa nịt và đầu dây đai để tránh làm đầu dây đai trượt qua khóa nịt.

LẮP RÁP

⚠ THẬN TRỌNG: Luôn đảm bảo rằng đã tắt dụng cụ và tháo hộp pin ra trước khi thực hiện bất cứ thao tác nào trên dụng cụ.

Lắp khuôn cắt

⚠ THẬN TRỌNG: Luôn luôn lắp khuôn cắt đúng hướng và cố định chắc chắn. Phụ tùng không đúng hoặc bị lỏng có thể làm gãy khuôn cắt, gây ra thương tích cá nhân do các bộ phận rơi ra.

CHÚ Ý: Loại bỏ bavia nếu có trên khuôn cắt bằng cách sử dụng giữa.

1. Kiểm tra xem ngàm kẹp của khuôn cắt có mở hoàn toàn không. Nếu không, lắp pin vào và kéo cần khởi động công tắc cho đến khi ngàm kẹp của khuôn cắt mở hoàn toàn.

⚠ THẬN TRỌNG: Hãy chắc chắn đã tháo hộp pin nếu bạn đã lắp.

2. Đặt cần công tắc đảo chiều ở vị trí mở.

► **Hình15:** 1. Cần công tắc đảo chiều

3. Tháo bu-lông bằng cờ lê lục giác được cung cấp.

⚠ THẬN TRỌNG: Chỉ sử dụng cờ lê của Makita đi kèm với dụng cụ. Sử dụng các cờ lê khác có thể khiến cho bu-lông bị siết quá chặt hoặc siết không đủ chặt gây thương tích cá nhân.

4. Đặt khuôn cắt trên các đế sao cho có thể nhìn thấy hai vạch dấu màu.

► **Hình16:** 1. Bu-lông 2. Khuôn cắt 3. Đế cố định 4. Đế di chuyển 5. Vạch dấu màu 6. Cờ lê lục giác

5. Cố định chặt khuôn cắt bằng bu-lông.

Khuôn cắt được lắp chính xác nếu các mũi tên trên khuôn hướng vào nhau. Kích thước của khuôn cắt giống nhau nhưng độ dày của chúng trông khác nhau khi nhìn từ phía trên.

► **Hình17:** 1. Mũi tên 2. Khuôn cắt 3. Bên mỏng 4. Bên dày

VẬN HÀNH

⚠ THẬN TRỌNG: Đảm bảo rằng kích thước của khuôn cắt được lắp chính xác vào dụng cụ. Kiểm tra công suất cắt được ghi trên khuôn cắt trước khi cắt.

⚠ THẬN TRỌNG: Trước khi kéo cần khởi động công tắc, hãy chắc chắn đã đặt thanh ren sao cho các ren vừa khít với khuôn cắt. Căn chỉnh các ren không chính xác có thể làm gãy khuôn cắt và gây ra thương tích cá nhân do các bộ phận rơi ra.

⚠ THẬN TRỌNG: Thay thế khuôn cắt nếu mép cắt bị sứt mẻ hoặc biến dạng.

Khi cắt, đặt thanh ren vuông góc với đường cắt như minh họa trong hình.

► **Hình18:** 1. Đường cắt

LƯU Ý: Khi cắt một thanh ren làm bằng kim loại để kéo sợi như thép không gỉ, có thể tạo ra bavia trên mặt cắt. Loại bỏ bavia bằng cách sử dụng giữa trong trường hợp này.

► **Hình19:** 1. Thanh ren 2. Bavia

Cắt các thanh ren được cố định

Khi cắt một thanh ren được cố định trong cấu trúc xây dựng như trần nhà, tường, sàn, v.v..., hãy làm theo quy trình dưới đây:

► **Hình20:** 1. Thanh ren 2. Khuôn cắt trên đế cố định

1. Nâng dụng cụ sao cho thanh ren được định vị ở giữa khuôn cắt.

2. Trong khi thanh ren tiếp xúc với thanh dẫn, đặt ren của thanh vừa khít với ren của khuôn cắt trên đế cố định.

3. Kéo và giữ cần khởi động công tắc cho đến khi công đoạn cắt hoàn tất và ngàm kẹp của khuôn cắt ở vị trí mở hoàn toàn.

CHÚ Ý: Làm sạch mặt trước của dụng cụ và đầu thang đo thanh dẫn trước khi vận hành. Chúng có thể làm bẩn bề mặt tiếp xúc.

Cắt các thanh ren lỏng

Khi cắt một thanh ren lỏng trên sàn hoặc bàn gia công, hãy làm theo quy trình dưới đây:

► **Hình21:** 1. Thanh ren 2. Khuôn cắt trên để cố định

1. Định vị thanh ren giữa khuôn cắt.
2. Trong khi thanh ren tiếp xúc với thanh dẫn, đặt trên của thanh vừa khít với ren của khuôn cắt trên để cố định.
3. Kéo và giữ cần khởi động công tắc cho đến khi công đoạn cắt hoàn tất và ngàm kẹp của khuôn cắt ở vị trí mở hoàn toàn.

Khi cắt một thanh ren dài khó giữ bằng tay, hãy đặt dụng cụ như hình minh họa. Có thể đặt dụng cụ trên mặt phẳng. Cũng có thể sử dụng nắp để đỡ phần đầu thanh ren.

► **Hình22:** 1. Nắp (Vị trí 1) 2. Thanh dẫn (Vị trí 1)
3. Nắp (Vị trí 2) 4. Thanh dẫn (Vị trí 2)

Nắp có đánh dấu để chỉ báo vị trí của nó. Tùy theo kích thước của thanh ren, hãy đặt nắp vào vị trí như minh họa trong hình trên bàn cũng như thanh dẫn.

Vị trí	Kích thước của thanh ren
1	W3/8, 3/8-16UNC, M10
2	W5/16, W1/4, 5/16-18UNC, 1/4-20UNC, M8, M6

Ngừng cắt giữa chừng

⚠ THẬN TRỌNG: Đừng bao giờ cố kéo thanh ren ra khỏi dụng cụ ra bằng lực. Điều này có thể gây ra khởi động bất ngờ gây thương tích cá nhân hoặc làm hỏng khuôn cắt và dụng cụ.

Khi ngừng cắt giữa chừng, hãy đặt cần công tắc đảo chiều ở vị trí đảo chiều và kéo cần khởi động công tắc cho đến khi thanh ren hoàn toàn được nhả ra khỏi khuôn cắt.

BẢO TRÌ

⚠ THẬN TRỌNG: Hãy luôn chắc chắn rằng dụng cụ đã được tắt và hộp pin đã được tháo ra trước khi cố gắng thực hiện việc kiểm tra hay bảo dưỡng.

CHÚ Ý: Không được phép dùng xăng, ết xăng, dung môi, cồn hoặc hóa chất tương tự. Có thể xảy ra hiện tượng mất màu, biến dạng hoặc nứt vỡ.

Thay thế khuôn cắt

CHÚ Ý: Thay thế cả hai khuôn cắt cùng một lúc. Thay thế một bên của khuôn cắt có thể tạo bavias trên thanh ren.

Thay thế khuôn cắt khi khuôn bị sứt mẻ, biến dạng, hoặc lưỡi dao bị cùn. Để thay thế, làm theo hướng dẫn trong phần “Lắp khuôn cắt”.

► **Hình23:** 1. Sứt mẻ 2. Biến dạng

Một khuôn cắt có hai mép cắt, bên dày và bên mỏng. Chuyển vị trí lắp khuôn cắt nếu bạn không sử dụng cạnh kia của mép cắt.

► **Hình24:** 1. Mép cắt 2. Bên mỏng 3. Bên dày

Mang đi/cắt giữ dụng cụ

⚠ THẬN TRỌNG: Khi không sử dụng dụng cụ, luôn luôn gắn nắp được cung cấp vào phần cắt.

Gắn nắp che khi di chuyển dụng cụ.

Khi cắt giữ dụng cụ, tháo hộp pin và thang đo thanh dẫn ra khỏi dụng cụ. Vệ sinh bụi bẩn trên khuôn cắt và các bộ phận chuyển động. Sau đó, gắn nắp che vào.

► **Hình25:** 1. Nắp che

Để đảm bảo ĐỘ AN TOÀN và ĐỘ TIN CẬY của sản phẩm, việc sửa chữa hoặc bất cứ thao tác bảo trì, điều chỉnh nào đều phải được thực hiện bởi các Trung tâm Dịch vụ Nhà máy hoặc Trung tâm được Makita Ủy quyền và luôn sử dụng các phụ tùng thiết bị thay thế của Makita.

PHỤ KIỆN TỰY CHỌN

⚠ THẬN TRỌNG: Các phụ kiện hoặc phụ tùng gắn thêm này được khuyến cáo sử dụng với dụng cụ Makita của bạn theo như quy định trong hướng dẫn này. Việc sử dụng bất cứ phụ kiện hoặc phụ tùng gắn thêm nào khác đều có thể gây ra rủi ro thương tích cho người. Chỉ sử dụng phụ kiện hoặc phụ tùng gắn thêm cho mục đích đã quy định sẵn của chúng.

Nếu bạn cần bất kỳ sự hỗ trợ nào để biết thêm chi tiết về các phụ tùng này, hãy hỏi Trung tâm Dịch vụ của Makita tại địa phương của bạn.

- Khuôn cắt
- Dây đeo vai
- Pin và bộ sạc chính hãng của Makita

LƯU Ý: Một số mục trong danh sách có thể được bao gồm trong gói dụng cụ làm phụ kiện tiêu chuẩn. Các mục này ở mỗi quốc gia có thể khác nhau.

ข้อมูลจำเพาะ

รุ่น:	DSC102	
ความสามารถในการตัด	เหล็กเหนียว	W3/8, W5/16, W1/4, 3/8-16UNC, 5/16-18UNC, 1/4-20UNC, M10, M8, M6
	สแตนเลสสตีล	W3/8, 5/16-18UNC, M8, M6
ความยาวโดยรวม	199 mm	
แรงดันไฟฟ้าสูงสุด	D.C. 18 V	
	D.C. 14.4 V	
น้ำหนักสุทธิ	2.8 - 3.2 kg	

- เนื่องจากการค้นคว้าวิจัยและพัฒนาอย่างต่อเนื่อง ข้อมูลจำเพาะในเอกสารฉบับนี้อาจเปลี่ยนแปลงได้โดยไม่ต้องแจ้งให้ทราบล่วงหน้า
- ข้อมูลจำเพาะอาจแตกต่างกันไปในแต่ละประเทศ
- น้ำหนักอาจแตกต่างกันไปตามอุปกรณ์เสริม รวมถึงตลับแบตเตอรี่ การติดอุปกรณ์เสริมที่เบาที่สุดและหนักที่สุดตามข้อบังคับของ EPTA 01/2014 มีแสดงอยู่ในตาราง

ตลับแบตเตอรี่และเครื่องชาร์จที่ใช้ได้







ตลับแบตเตอรี่	รุ่น D.C. 14.4 V	BL1415N / BL1430 / BL1430B / BL1440 / BL1450 / BL1460B
	รุ่น D.C. 18 V	BL1815N / BL1820 / BL1820B / BL1830 / BL1830B / BL1840 / BL1840B / BL1850 / BL1850B / BL1860B
เครื่องชาร์จ	DC18RC / DC18RD / DC18RE / DC18SD / DC18SE / DC18SF	

- ตลับแบตเตอรี่และเครื่องชาร์จบางรายการที่แสดงอยู่ด้านบนอาจไม่มีวางจำหน่ายขึ้นอยู่กับภูมิภาคที่คุณอาศัยอยู่

คำเตือน: ใช้ตลับแบตเตอรี่และเครื่องชาร์จที่ระบุไว้ข้างบนเท่านั้น การใช้ตลับแบตเตอรี่และเครื่องชาร์จประเภทอื่นอาจก่อให้เกิดความเสี่ยงที่จะได้รับบาดเจ็บและ/หรือเกิดไฟไหม้

สัญลักษณ์

ต่อไปนี้เป็นสัญลักษณ์ที่ใช้สำหรับอุปกรณ์ โปรดศึกษาความหมายของสัญลักษณ์ให้เข้าใจก่อนการใช้งาน

	อ่านคู่มือการใช้งาน
	สวมแว่นตานิรภัย
	อย่าสัมผัสแม่พิมพ์ตัดในระหว่างการใช้งาน
	ระมัดระวังเหล็กเคลื่อนที่ถูกตัดออกมา
	อย่าให้ใบหน้าของคุณเข้าใกล้เครื่องมือในระหว่างการใช้งาน
	สำหรับประเทศในสหภาพยุโรปเท่านั้น ห้ามทิ้งอุปกรณ์ไฟฟ้าหรือชุดแบตเตอรี่ร่วมกับขยะครัวเรือนทั่วไป! เพื่อให้เป็นไปตามกฎระเบียบของยุโรปเกี่ยวกับขยะจำพวกอุปกรณ์ไฟฟ้าและอิเล็กทรอนิกส์ และขยะจำพวกแบตเตอรี่และหม้อสะสมไฟฟ้า และการปฏิบัติตามกฎหมายในประเทศ ต้องเก็บอุปกรณ์ไฟฟ้าและแบตเตอรี่และชุดแบตเตอรี่ทั้งหมดอายุการใช้งานแล้วแยกต่างหาก และส่งกลับไปยังศูนย์รีไซเคิลที่เป็นมิตรต่อสิ่งแวดล้อม

จุดประสงค์การใช้งาน

เครื่องมือนี้ใช้สำหรับตัดเหล็กเกลียว

คำเตือนด้านความปลอดภัย

คำเตือนด้านความปลอดภัยของเครื่องมือไฟฟ้าทั่วไป

คำเตือน: โปรดอ่านคำเตือนด้านความปลอดภัย คำแนะนำ ภาพประกอบ และข้อมูลจำเพาะต่างๆ ที่มากับเครื่องมือไฟฟ้าอย่างละเอียด การไม่ปฏิบัติตามคำแนะนำต่อไปนี้อาจส่งผลให้เกิดไฟฟ้าช็อต ไฟไหม้ และ/หรือได้รับบาดเจ็บอย่างร้ายแรงได้

เก็บรักษาคำเตือนและคำแนะนำทั้งหมดไว้เป็นข้อมูลอ้างอิงในอนาคต

คำว่า “เครื่องมือไฟฟ้า” ในคำเตือนนี้หมายถึงเครื่องมือไฟฟ้า (มีสาย) ที่ทำงานโดยใช้กระแสไฟฟ้าหรือเครื่องมือไฟฟ้า (ไร้สาย) ที่ทำงานโดยใช้แบตเตอรี่

ความปลอดภัยของพื้นที่ทำงาน

1. ดูแลพื้นที่ทำงานให้มีความสะอาดและมีแสงไฟสว่าง พื้นที่ที่กระเบื้องหรือมัตที่อาจนำไปสู่การเกิดอุบัติเหตุได้
2. อย่าใช้งานเครื่องมือไฟฟ้าในสภาพที่อาจเกิดการระเบิด เช่น ในสถานที่ที่มีของเหลว ก๊าซ หรือฝุ่นผงที่มีคุณสมบัติไวไฟ เครื่องมือไฟฟ้าอาจสร้างประกายไฟและจุดชนวนฝุ่นผงหรือก๊าซดังกล่าว
3. ดูแลไม่ให้มีเด็กๆ หรือบุคคลอื่นอยู่ในบริเวณที่กำลังใช้เครื่องมือไฟฟ้า การมีสิ่งรบกวนสมาธิอาจทำให้คุณสูญเสียการควบคุม

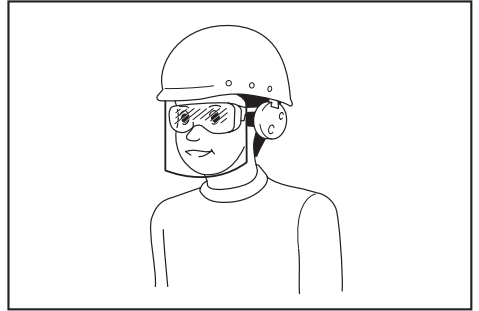
ความปลอดภัยด้านไฟฟ้า

1. ปลั๊กของเครื่องมือไฟฟ้าต้องพอดีกับเต้ารับ อย่าดัดแปลงปลั๊กไม่ว่ากรณีใดๆ อย่าใช้ปลั๊กอะแดปเตอร์กับเครื่องมือไฟฟ้าที่ต่อสายดิน ปลั๊กที่ไม่ถูกดัดแปลงและเต้ารับที่เข้ากันพอดีจะช่วยลดความเสี่ยงของการเกิดไฟฟ้าช็อต
2. ระวังอย่าให้ร่างกายสัมผัสกับพื้นผิวที่ต่อสายดิน เช่น ท่อ เครื่องนำความร้อน เตาทุงต้ม และตู้เย็น มีความเสี่ยงที่จะเกิดไฟฟ้าช็อตสูงขึ้น หากร่างกายของคุณสัมผัสกับพื้น
3. อย่าให้เครื่องมือไฟฟ้าถูกน้ำหรืออยู่ในสภาพเปียกชื้น น้ำที่ไหลเข้าไปในเครื่องมือไฟฟ้าจะเพิ่มความเสี่ยงของการเกิดไฟฟ้าช็อต
4. อย่าใช้สายไฟอย่างไม่เหมาะสม อย่าใช้สายไฟเพื่อยก ดึง หรือถอดปลั๊กเครื่องมือไฟฟ้า เก็บสายไฟให้ห่างจากความร้อน น้ำมัน ของมีคม หรือชิ้นส่วนที่เคลื่อนที่ สายที่ชำรุดหรือพันกันจะเพิ่มความเสี่ยงของการเกิดไฟฟ้าช็อต
5. ขณะที่ใช้งานเครื่องมือไฟฟ้านอกอาคาร ควรใช้สายต่อพ่วงที่เหมาะสมกับงานภายนอกอาคาร การใช้สายที่เหมาะสมกับงานภายนอกอาคารจะลดความเสี่ยงของการเกิดไฟฟ้าช็อต
6. หากต้องใช้งานเครื่องมือไฟฟ้าในสถานที่เปียกชื้น ให้ใช้อุปกรณ์ป้องกันกระแสไฟรั่ว (RCD) การใช้ RCD จะลดความเสี่ยงของการเกิดไฟฟ้าช็อต
7. เครื่องมือไฟฟ้าอาจสร้างสนามแม่เหล็ก (EMF) ที่ไม่เป็นอันตรายต่อผู้ใช้ อย่างไรก็ตาม ผู้ใช้ที่ใส่เครื่องกระตุ้นหัวใจและอุปกรณ์ทางการแพทย์ที่คล้ายกันนี้ ควรติดต่อผู้ผลิตอุปกรณ์และ/หรือแพทย์เพื่อรับคำแนะนำก่อนใช้งานเครื่องมือไฟฟ้านี้

ความปลอดภัยส่วนบุคคล

1. ให้ระมัดระวังและมีสติอยู่เสมอขณะใช้งานเครื่องมือไฟฟ้า อย่าใช้งานเครื่องมือไฟฟ้าในขณะที่คุณกำลังเหนื่อย หรือในสภาพที่มันมาจากยาเสพติด เครื่องดื่ม ต้ม แอลกอฮอล์ หรือการเข้ายา ช่วงเวลาที่ขาดความระมัดระวังเมื่อกำลังใช้งานเครื่องมือไฟฟ้าอาจทำให้ได้รับบาดเจ็บร้ายแรง
2. ใช้อุปกรณ์ป้องกันส่วนบุคคล สวมแว่นตาป้องกันเสมอ อุปกรณ์ป้องกัน เช่น หน้ากากกันฝุ่น รองเท้านิรภัย กันลื่น หมวกนิรภัย หรือเครื่องป้องกันการได้ยินที่ใช้ในสภาพที่เหมาะสมจะช่วยลดการบาดเจ็บ
3. ป้องกันไม่ให้เกิดการเปิดใช้งานโดยไม่ตั้งใจ ตรวจสอบให้แน่ใจว่าสวิตช์ปิดอยู่ก่อนที่จะเชื่อมต่อกับแหล่งจ่ายไฟ และ/หรือชุดแบตเตอรี่ รวมทั้งตรวจสอบก่อนการยกหรือเคลื่อนย้ายเครื่องมือ การสอดนิ้วมือบริเวณสวิตช์เพื่อถือเครื่องมือไฟฟ้า หรือการชาร์จไฟเครื่องมือไฟฟ้าในขณะที่เปิดสวิตช์อยู่อาจนำไปสู่การเกิดอุบัติเหตุ
4. นำกุญแจปรับตั้งหรือประแจออกก่อนที่จะเปิดเครื่องมือไฟฟ้า ประแจหรือกุญแจที่เสียบค้างอยู่ในชิ้นส่วนที่หมุนได้ของเครื่องมือไฟฟ้าอาจทำให้ได้รับบาดเจ็บ
5. อย่าทำงานในระบะที่มืดอ้อม จัดท่าการยืนและการทรงตัวให้เหมาะสมตลอดเวลา เพราะจะทำให้ควบคุมเครื่องมือไฟฟ้าได้ดีขึ้นในสถานการณ์ที่ไม่คาดคิด
6. แต่งกายให้เหมาะสม อย่าสวมเครื่องแต่งกายที่หลวมเกินไป หรือสวมเครื่องประดับ ดูแลไม่ให้เส้นผมและเสื้อผ้าอยู่ใกล้ชิ้นส่วนที่เคลื่อนที่ เสื้อผ้ารุ่มร่าม เครื่องประดับ หรือผมที่มีความยาวอาจเข้าไปติดในชิ้นส่วนที่เคลื่อนที่
7. หากมีการจัดอุปกรณ์สำหรับดูดและจับเก็บฝุ่นไว้ในสถานที่ ให้ตรวจสอบว่าได้เชื่อมต่อและใช้งานอุปกรณ์นั้นอย่างเหมาะสม การใช้เครื่องดูดและจับเก็บฝุ่นจะช่วยลดอันตรายที่เกิดจากฝุ่นผงได้
8. อย่าให้ความดันเคยจากการใช้งานเครื่องมือเป็นประจำทำให้คุณทำตัวตามสบายและละเลยหลักการเพื่อความปลอดภัยในการใช้เครื่องมือ การกระทำที่ไม่ระมัดระวังอาจทำให้เกิดการบาดเจ็บร้ายแรงภายในเสี้ยววินาที

9. สวมใส่แว่นครอบตานิรภัยเพื่อปกป้องดวงตาของคุณจากการบาดเจ็บเมื่อใช้เครื่องมือไฟฟ้า แว่นครอบตาจะต้องได้มาตรฐาน ANSI Z87.1 ในสหรัฐอเมริกา, EN 166 ในยุโรป หรือ AS/NZS 1336 ในออสเตรเลีย/นิวซีแลนด์ ในออสเตรเลีย/นิวซีแลนด์ จะต้องสวมเกราะป้องกันใบหน้าเพื่อปกป้องใบหน้าของคุณอย่างถูกต้องตามกฎหมายด้วย



ผู้ว่าจ้างมีหน้าที่รับผิดชอบในการบังคับผู้ใช้งานเครื่องมือและบุคคลอื่น ๆ ที่อยู่ในบริเวณที่ปฏิบัติงานให้ใช้อุปกรณ์ป้องกันที่เหมาะสม

การใช้และดูแลเครื่องมือไฟฟ้า

1. อย่าฝืนใช้เครื่องมือไฟฟ้า ใช้เครื่องมือไฟฟ้าที่เหมาะสมกับการใช้งานของคุณ เครื่องมือไฟฟ้าที่เหมาะสมจะทำให้ได้งานที่มีประสิทธิภาพและปลอดภัยกว่าตามขีดความสามารถของเครื่องที่ได้รับการออกแบบมา
2. อย่าใช้เครื่องมือไฟฟ้า หากสวิตช์ไม่สามารถเปิดปิดได้ เครื่องมือไฟฟ้าที่ควบคุมด้วยสวิตช์ไม่ได้เป็นสิ่งอันตรายและต้องได้รับการซ่อมแซม
3. ถอดปลั๊กจากแหล่งจ่ายไฟ และ/หรือชุดแบตเตอรี่ ออกจากเครื่องมือไฟฟ้าก่อนทำการปรับตั้ง เปลี่ยนอุปกรณ์เสริม หรือจัดเก็บเครื่องมือไฟฟ้า วิธีการป้องกันด้านความปลอดภัยดังกล่าวจะช่วยลดความเสี่ยงในการเปิดใช้งานเครื่องมือไฟฟ้าโดยไม่ตั้งใจ
4. จัดเก็บเครื่องมือไฟฟ้าที่ไม่ได้ใช้งานให้ห่างจากมือเด็ก และอย่าอนุญาตให้บุคคลที่ไม่คุ้นเคยกับเครื่องมือไฟฟ้าหรือคำแนะนำเหล่านี้ใช้งานเครื่องมือไฟฟ้า เครื่องมือไฟฟ้าจะเป็นอันตรายเมื่ออยู่ในมือของผู้ที่ไม่ได้รับการฝึกอบรม

- บำรุงรักษาเครื่องมือไฟฟ้าและอุปกรณ์เสริม ตรวจสอบการประกอบที่ไม่ถูกต้องหรือการเชื่อมต่อของชิ้นส่วนที่เคลื่อนที่ การแตกหักของชิ้นส่วน หรือสภาพอื่นๆ ที่อาจส่งผลกระทบต่อการทำงานของเครื่องมือไฟฟ้า หากมีความเสียหาย ให้นำเครื่องมือไฟฟ้าไปซ่อมแซมก่อนการใช้งาน อุบัติเหตุจำนวนมากเกิดจากการดูแลรักษาเครื่องมือไฟฟ้าอย่างไม่ถูกต้อง
- ทำความเข้าใจเกี่ยวกับเครื่องมือตัดและลับให้คมอยู่เสมอ เครื่องมือการตัดที่มีการดูแลอย่างถูกต้องและมีขอบการตัดคมมักจะมีปัญหาติดขัดน้อยและควบคุมได้ง่ายกว่า
- ใช้เครื่องมือไฟฟ้า อุปกรณ์เสริม และวัสดุสิ้นเปลือง ฯลฯ ตามคำแนะนำดังกล่าว พิจารณาสภาพการทำงานและงานที่จะลงมือทำ การใช้เครื่องมือไฟฟ้าเพื่อทำงานอื่นนอกเหนือจากที่กำหนดไว้อาจทำให้เกิดอันตราย
- ดูแลมือจับและบริเวณมือจับให้แห้ง สะอาด และไม่มีน้ำมันและจาระบีเปื้อน มือจับและบริเวณมือจับที่ลื่นจะทำให้ไม่สามารถจับและควบคุมเครื่องมือได้อย่างปลอดภัยในสถานการณ์ที่ไม่คาดคิด
- ขณะใช้งานเครื่องมือ อย่าสวมใส่ถุงมือผ้าที่อาจเข้าไปติดในเครื่องมือได้ หากถุงมือผ้าเข้าไปติดในชิ้นส่วนที่กำลังเคลื่อนที่อยู่ อาจทำให้ได้รับบาดเจ็บ

การใช้งานและดูแลเครื่องมือที่ใช้แบตเตอรี่

- ชาร์จไฟใหม่ด้วยเครื่องชาร์จที่ระบุโดยผู้ผลิตเท่านั้น เครื่องชาร์จที่เหมาะสมสำหรับชุดแบตเตอรี่ประเภทหนึ่ง อาจเสี่ยงที่จะเกิดไฟไหม้หากนำไปใช้กับชุดแบตเตอรี่อีกประเภทหนึ่ง
- ใช้เครื่องมือไฟฟ้ากับชุดแบตเตอรี่ที่กำหนดมาโดยเฉพาะเท่านั้น การใช้ชุดแบตเตอรี่ประเภทอื่นอาจทำให้เสี่ยงที่จะได้รับบาดเจ็บและเกิดไฟไหม้
- เมื่อไม่ใช้งานชุดแบตเตอรี่ ให้เก็บห่างจากวัตถุที่เป็นโลหะอื่นๆ เช่น คลิปหนีบกระดาษ เหรียญ กุญแจ กรรไกรตัดเล็บ สกรู หรือวัตถุที่เป็นโลหะขนาดเล็กอื่นๆ ที่สามารถเชื่อมต่อชั่วคราวกับอีกขั้วหนึ่งได้ การลัดวงจรขั้วแบตเตอรี่อาจทำให้อ่อนจัดหรือเกิดไฟไหม้
- ในกรณีที่ใช้งานไม่ถูกต้อง อาจมีของเหลวไหลออกจากแบตเตอรี่ ให้หลีกเลี่ยงการสัมผัส หากสัมผัส โดนของเหลวโดยไม่ตั้งใจ ให้ล้างออกด้วยน้ำ หากของเหลวกระเด็นเข้าตา ให้รีบไปพบแพทย์ ของเหลวที่ไหลออกจากแบตเตอรี่อาจทำให้ผิวหนังระคายเคืองหรือไหม้

- ห้ามใช้ชุดแบตเตอรี่หรือเครื่องมือที่ชาร์จหรือมีการแก้ไข แบตเตอรี่ที่เสียหายหรือมีการแก้ไขอาจทำให้เกิดสิ่งที่ไม่ดีได้ เช่น ไฟไหม้ ระเบิด หรือเสี่ยงต่อการบาดเจ็บ
- ห้ามให้ชุดแบตเตอรี่อยู่ใกล้ไฟ หรือบริเวณที่มีอุณหภูมิสูงเกิน หากโดนไฟ หรืออุณหภูมิสูงเกิน 130 °C อาจก่อให้เกิดการระเบิดได้
- กรุณาปฏิบัติตามคำแนะนำสำหรับชาร์จไฟ และห้ามชาร์จแบตเตอรี่หรือเครื่องมือในบริเวณที่มีอุณหภูมินอกเหนือไปจากที่ระบุในคำแนะนำ การชาร์จไฟที่ไม่เหมาะสม หรืออุณหภูมินอกเหนือไปจากช่วงอุณหภูมิที่ระบุในคำแนะนำอาจทำให้แบตเตอรี่เสียหายและเป็นการเพิ่มความเสี่ยงในการเกิดไฟไหม้

การซ่อมบำรุง

- นำเครื่องมือไฟฟ้าเข้ารับบริการจากช่างซ่อมที่ผ่านการรับรองโดยใช้ชื่อแบบเดียวกันเท่านั้น เพราะจะทำให้การใช้เครื่องมือไฟฟ้ามีความปลอดภัย
- ห้ามใช้ชุดแบตเตอรี่ที่เสียหาย ชุดแบตเตอรี่ที่ใช้ควรเป็นชุดที่มาจากผู้ผลิต หรือผู้ให้บริการที่ได้รับอนุญาตเท่านั้น
- ปฏิบัติตามคำแนะนำในการหล่อลื่นและการเปลี่ยนอุปกรณ์เสริม

คำเตือนด้านความปลอดภัยของเครื่องตัดเหล็กเกลียวไร้สาย

- จับเครื่องมือให้แน่น
- ยึดชิ้นงานให้แน่น
- อย่าให้ใบหน้าและมืออยู่ใกล้ชิ้นส่วนที่เคลื่อนที่ ในระหว่างการตัด เศษเหล็กเกลียวอาจกระเด็นออก
- ใส่ถุงมือขณะจับเหล็กเกลียวเสมอ ขอบและเศษชิ้นงานมีความคม
- อย่าวางเครื่องมือบนเศษชิ้นงาน ไม่เช่นนั้นอาจทำให้เครื่องมือเสียหายหรือเกิดปัญหาได้
- ตรวจสอบให้แน่ใจว่าได้ยึดอย่างมั่นคงเสมอ หากใช้งานเครื่องมือในพื้นที่สูง ระวังอย่าให้มีคนอยู่ด้านล่าง
- อย่าสัมผัสขอบการตัดหรือชิ้นงานทันทีที่ทำงานเสร็จ เนื่องจากอาจมีความร้อนสูงและผิวหนังของคุณได้
- ระวังอย่าให้ตัดโดนสายไฟ เนื่องจากอาจทำให้เกิดอุบัติเหตุร้ายแรงจากไฟฟ้าช็อต
- จับเหล็กเกลียวไว้ทั้งระหว่างและหลังการตัดเพื่อป้องกันเหล็กเกลียวที่ตัดหล่นลงมา เหล็กเกลียวที่ตัดอาจทำให้ได้รับบาดเจ็บสาหัสหากหล่นลงมาจากที่สูง

10. รักษาระยะห่างที่ปลอดภัยระหว่างร่างกายของคุณกับชิ้นส่วนที่เคลื่อนที่ อย่าใช้งานเครื่องมือหากพื้นที่ทำงานแคบเกินไปที่จะรักษาระยะห่างที่ปลอดภัย
11. ห้ามวางเครื่องมือที่ตำแหน่งสูงหรือบนพื้นผิวที่อาจไม่มั่นคง

ปฏิบัติตามคำแนะนำเหล่านี้

คำเตือน: อย่าให้ความไม่ระมัดระวังหรือความคุ้นเคยกับผลิตภัณฑ์ (จากการใช้งานซ้ำหลายครั้ง) อยู่เหนือการปฏิบัติตามกฎเกณฑ์ด้านความปลอดภัยในการใช้งานผลิตภัณฑ์อย่างเคร่งครัด

การใช้งานอย่างไม่เหมาะสมหรือการไม่ปฏิบัติตามกฎเกณฑ์ด้านความปลอดภัยในคู่มือการใช้งานนี้อาจทำให้ได้รับบาดเจ็บรุนแรง

คำแนะนำเพื่อความปลอดภัยที่สำคัญสำหรับดัลล์แบตเตอรี่

1. ก่อนใช้งานดัลล์แบตเตอรี่ให้อ่านคำแนะนำและเครื่องหมายเตือนทั้งหมดบน (1) เครื่องชาร์จแบตเตอรี่ (2) แบตเตอรี่ และ (3) ตัวผลิตภัณฑ์ที่ใช้แบตเตอรี่
2. ห้ามถอดแยกส่วนดัลล์แบตเตอรี่
3. หากระยะเวลาที่เครื่องทำงานสั้นเกินไป ให้หยุดใช้งานทันที เนื่องจากอาจมีความเสี่ยงที่จะร้อนจัดไหม้หรือระเบิดได้
4. หากสารละลายอิเล็กโทรไลต์กระเด็นเข้าตา ให้ล้างออกด้วยน้ำเปล่าและรีบไปพบแพทย์ทันที เนื่องจากอาจทำให้ตาบอด
5. ห้ามลัดวงจรดัลล์แบตเตอรี่:
 - (1) ห้ามแตะขั้วกับวัตถุที่เป็นสื่อไฟฟ้าใดๆ
 - (2) หลีกเลี่ยงการเก็บดัลล์แบตเตอรี่ไว้ในภาชนะร่วมกับวัตถุที่เป็นโลหะ เช่น กรรไกรตัดเล็บ เหรียญ ฯลฯ
 - (3) อย่าให้ดัลล์แบตเตอรี่ถูกน้ำหรือฝน แบตเตอรี่ลัดวงจรอาจทำให้เกิดการไหลของกระแสไฟฟ้า ร้อนจัดไหม้หรือเสียหายได้
6. ห้ามเก็บเครื่องมือและดัลล์แบตเตอรี่ไว้ในสถานที่ที่มีอุณหภูมิสูงถึงหรือเกิน 50 °C
7. ห้ามเผาตลับแบตเตอรี่ทิ้ง แม้ว่าแบตเตอรี่จะเสียหายจนใช้การไม่ได้หรือเสื่อมสภาพแล้ว ดัลล์แบตเตอรี่อาจจะระเบิดในกองไฟ
8. ระวังอย่าทำแบตเตอรี่ตกหล่นหรือกระทบกระแทก
9. ห้ามใช้แบตเตอรี่ที่เสียหาย

10. แบตเตอรี่ลิเทียมไอออนที่มีมาให้มาเป็นไปตามข้อกำหนดของ Dangerous Goods Legislation สำหรับการขนส่งเพื่อการพาณิชย์ เช่น โดยบุคคลที่สาม ตัวแทนขนส่งสินค้า จะต้องตรวจสอบข้อกำหนดพิเศษในด้านการบรรจุหีบห่อหรือการติดป้ายสินค้าในการเตรียมสินค้าที่จะขนส่ง ให้ปรึกษาผู้เชี่ยวชาญด้านวัตถุอันตราย โปรดตรวจสอบข้อกำหนดในประเทศที่อาจมีรายละเอียดอื่น ๆ เพิ่มเติม ให้ติดเทปหรือปิดหน้าสัมผัสและห่อแบตเตอรี่ในลักษณะที่แบตเตอรี่จะไม่เคลื่อนที่ไปมาในหีบห่อ
11. ปฏิบัติตามข้อบังคับในท้องถิ่นที่เกี่ยวกับการกำจัดแบตเตอรี่
12. ใช้แบตเตอรี่กับผลิตภัณฑ์ที่ระบุโดย Makita เท่านั้น การติดตั้งแบตเตอรี่ในผลิตภัณฑ์ที่ไม่ใช่ตามที่ระบุอาจทำให้เกิดไฟไหม้ ความร้อนสูง ระเบิด หรืออิเล็กทรอนิกส์ลัดวงจรได้

ปฏิบัติตามคำแนะนำเหล่านี้

ข้อควรระวัง: ใช้แบตเตอรี่ของแท้จาก Makita เท่านั้น การใช้แบตเตอรี่ Makita ที่ไม่แท้ หรือแบตเตอรี่ที่ถูกเปลี่ยน อาจทำให้แบตเตอรี่ระเบิด ก่อให้เกิดเพลิงลุกไหม้ การบาดเจ็บ และความเสียหายได้ และจะทำให้การรับประกันของ Makita สำหรับเครื่องมือและแท่นชาร์จของ Makita เป็นโมฆะด้วย

เคล็ดลับในการรักษาอายุการใช้งานของแบตเตอรี่ให้ยาวนานที่สุด

1. ชาร์จดัลล์แบตเตอรี่ก่อนที่ไฟจะหมด หยุดการใช้งานแล้วชาร์จประจุไฟฟ้าใหม่ทุกครั้งเมื่อคุณรู้สึกว่าคุณประณามีกำลังลดลง
2. อย่าชาร์จดัลล์แบตเตอรี่ที่มีไฟเต็มแล้ว การชาร์จประจุไฟฟ้ามากเกินไปอาจจะทำให้อายุการใช้งานของดัลล์แบตเตอรี่สั้นลง
3. ชาร์จประจุไฟฟ้าดัลล์แบตเตอรี่ในห้องที่มีอุณหภูมิระหว่าง 10 °C - 40 °C ปล่อยให้ดัลล์แบตเตอรี่เย็นลงก่อนที่จะชาร์จไฟ
4. ชาร์จไฟดัลล์แบตเตอรี่หากคุณไม่ต้องการใช้เป็นเวลานาน (เกินกว่าหกเดือน)

คำอธิบายชิ้นส่วนต่างๆ

► หมายเลข 1

1	ตัวยึดคงที่	2	ตัวยึดเคลื่อนที่	3	แม่พิมพ์ตัด	4	สลักเกลียว
5	ขอเกี่ยว	6	ฐานสายสะพานไฟล (สำหรับอุปกรณ์เสริม)	7	ประแจหกเหลี่ยม	8	ดวงไฟ (ด้านใน)
9	พื้นผิวด้านหน้า	10	สวิทช์สั่งงาน	11	ก้านสวิทช์เปลี่ยนทิศทาง	12	ที่นำเหล็ก
13	สเกลน้ำ	14	สกรูกันคลาย	15	ฝาครอบ	-	-

คำอธิบายการทำงาน

⚠ ข้อควรระวัง: ตรวจสอบให้แน่ใจว่าได้ปิดสวิทช์เครื่องมือและถอดด้ามแบตเตอรี่ออกก่อนปรับตั้งหรือตรวจสอบการทำงานของเครื่องมือ

การใส่หรือการถอดด้ามแบตเตอรี่

⚠ ข้อควรระวัง: ปิดสวิทช์เครื่องมือก่อนทำการติดตั้งหรือการถอดด้ามแบตเตอรี่ทุกครั้ง

⚠ ข้อควรระวัง: ถอดเครื่องมือและด้ามแบตเตอรี่ให้แน่นในระหว่างการติดตั้งหรือการถอดด้ามแบตเตอรี่ หากไม่ถอดเครื่องมือและด้ามแบตเตอรี่ให้แน่น อาจทำให้ด้ามแบตเตอรี่และเครื่องมือสั้นหลุดมือ และทำให้เครื่องมือและด้ามแบตเตอรี่เสียหายหรือได้รับบาดเจ็บได้

► **หมายเลข 2:** 1. ไฟแสดงสถานะสีแดง 2. ปุ่ม 3. ด้ามแบตเตอรี่

เมื่อต้องการถอดด้ามแบตเตอรี่ ให้เลื่อนปุ่มที่ด้านบนของด้ามแล้วดึงออกจากเครื่องมือ

เมื่อต้องการติดตั้งด้ามแบตเตอรี่ ให้จัดแนวสันบนด้ามแบตเตอรี่ให้ตรงกับร่องบนตัวเครื่องมือ แล้วเลื่อนด้ามแบตเตอรี่เข้าที่ ติดตั้งด้ามแบตเตอรี่เข้าจนสุดจนกระทั่งได้ยินเสียงคลิกล็อคเข้าที่ หากยังเห็นส่วนสีแดงที่ด้านบนของปุ่ม แสดงว่าด้ามแบตเตอรี่ยังไม่ล็อคเข้าที่

⚠ ข้อควรระวัง: ให้หันด้ามแบตเตอรี่เข้าจนสุดจนไม่เห็นส่วนสีแดงอีก ไม่เช่นนั้น ด้ามแบตเตอรี่อาจหลุดออกจากเครื่องมือทำให้คุณหรือคนรอบข้างได้รับบาดเจ็บ

⚠ ข้อควรระวัง: อย่าฝืนติดตั้งด้ามแบตเตอรี่โดยใช้แรงมากเกินไป หากด้ามแบตเตอรี่ไม่เลื่อนเข้าไปโดยง่าย แสดงว่าใส่ไม่ถูกต้อง

ระบบป้องกันเครื่องมือ/แบตเตอรี่

เครื่องมือมีระบบป้องกันเครื่องมือ/แบตเตอรี่ ระบบนี้จะตัดไฟที่ส่งไปยังมอเตอร์โดยอัตโนมัติเพื่อยืดอายุการใช้งานเครื่องมือและแบตเตอรี่ เครื่องมือจะหยุดทำงานระหว่างการใช้งานโดยอัตโนมัติ หากเครื่องมือหรือแบตเตอรี่อยู่ภายใต้สถานการณ์ต่อไปนี้ ในบางกรณี ไฟแสดงสถานะจะติดขึ้น

การป้องกันโอเวอร์โหลด

เมื่อเครื่องมือทำงานในรูปแบบที่อาจจะดึงพลังงานไฟฟ้าสูงเกินไป เครื่องมือจะหยุดโดยอัตโนมัติโดยไม่มีการแจ้งเตือนใดๆ ในกรณีนี้ ให้ปิดเครื่องมือและหยุดการใช้งานในลักษณะที่อาจทำให้เครื่องมือทำงานหนักเกินไป แล้วเปิดเครื่องมือเพื่อเริ่มทำงานอีกครั้ง

หมายเหตุ: ระบบป้องกันการทำงานหนักเกินไปจะทำงานเมื่อคุณพยายามจะตัดเหล็กเกลียวดังต่อไปนี้

- เหล็กเกลียวที่ใหญ่กว่าขนาดแม่พิมพ์ตัด
- เหล็กเกลียวที่แข็งกว่าความสามารถในการตัดของแม่พิมพ์ตัด

การป้องกันความร้อนสูงเกินไป

เมื่อเครื่องมือมีความร้อนสูงเกินไป เครื่องมือจะหยุดทำงานโดยอัตโนมัติ และไฟ LED จะกะพริบ ปล่อยให้เครื่องมือเย็นลงก่อนที่จะเปิดเครื่องมืออีกครั้ง

การป้องกันไฟหมด








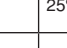






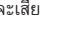
เมื่อแบตเตอรี่มีระดับพลังงานต่ำ เครื่องมือจะหยุดโดยอัตโนมัติ หากผลิตภัณฑ์ไม่ทำงานแม้ว่าจะเปิดสวิทช์แล้ว ให้ถอดแบตเตอรี่ออกจากเครื่องมือและชาร์จแบตเตอรี่

การระบุระดับพลังงานแบตเตอรี่ที่เหลืออยู่

สำหรับดรัมแบตเตอรี่ที่มีตัวแสดงสถานะเท่านั้น

▶ **หมายเลข 3:** 1. ไฟแสดงสถานะ 2. ปุ่มตรวจสอบ

กดปุ่ม ตรวจสอบ บนดรัมแบตเตอรี่เพื่อดูปริมาณแบตเตอรี่ที่เหลือ ไฟแสดงสถานะจะสว่างขึ้นเป็นเวลาสองสามวินาที

ไฟแสดงสถานะ			แบตเตอรี่ที่เหลือ
			
			75% ถึง 100%
			50% ถึง 75%
			25% ถึง 50%
			0% ถึง 25%
			ชาร์จไฟแบตเตอรี่
			แบตเตอรี่อาจจะเสีย

หมายเหตุ: ขึ้นอยู่กับสภาพการใช้งานและอุณหภูมิโดยรวม การแสดงสถานะอาจจะแตกต่างจากปริมาณแบตเตอรี่จริงเล็กน้อย

การทำงานของสวิตช์

⚠ ข้อควรระวัง: ก่อนใส่ดรัมแบตเตอรี่ลงในเครื่องมือ ให้ตรวจสอบว่าสวิตช์สั่งงานสามารถทำงานได้อย่างถูกต้อง และกลับไปยังตำแหน่ง "ปิด" เมื่อปล่อย

การเปิดใช้งานการตัด ให้กดสวิตช์สั่งงานค้างไว้ แม่พิมพ์ตัดบนตัวยึดเคลื่อนที่จะซอขึ้นทับกับแม่แบบบนตัวยึดคตที่ จากนั้นจะกลับคืนที่ หากคุณปล่อยสวิตช์สั่งงานก่อนเสร็จสิ้นการตัด แม่พิมพ์ตัดจะหยุดทำงาน

▶ **หมายเลข 4:** 1. สวิตช์สั่งงาน

▶ **หมายเลข 5:** 1. ตัวยึดคตที่ 2. แม่พิมพ์ตัด 3. ตัวยึดเคลื่อนที่

ข้อสังเกต: อย่าใช้เครื่องมือโดยเปิดเครื่องทิ้งไว้เลยๆ โดยไม่จำเป็น

ฟังก์ชันหยุดเครื่องมือโดยอัตโนมัติ

เมื่อคุณกดสวิตช์สั่งงานต่อ ฟันของแม่พิมพ์จะปิดและกลับมาอยู่ในตำแหน่งเปิดจนสุด จากนั้นจะหยุด ปล่อยสวิตช์สั่งงานและกดอีกครั้งเพื่อเริ่มการตัดต่อไป

ก้านสวิตช์เปลี่ยนทิศทาง

⚠ คำเตือน: เมื่อไม่ได้ใช้งานเครื่องมือ ให้ตั้งก้านสวิตช์เปลี่ยนทิศทางไปที่ตำแหน่งล็อกเสมอ

⚠ ข้อควรระวัง: ตรวจสอบตำแหน่งของก้านสวิตช์เปลี่ยนทิศทางก่อนใช้งานเสมอ

ข้อสังเกต: อย่าเลื่อนก้านสวิตช์เปลี่ยนทิศทางเมื่อกดสวิตช์สั่งงานอยู่ เนื่องจากอาจทำให้เครื่องมือเสียหายได้

การเริ่มใช้งานการตัด ให้ตั้งก้านสวิตช์เปลี่ยนทิศทางไปที่ตำแหน่งตัด

และเมื่อต้องการย้อนกลับลำดับการตัด ให้ตั้งก้านสวิตช์เปลี่ยนทิศทางไปที่ตำแหน่งย้อนกลับ เมื่อคุณกดสวิตช์สั่งงานต่อ ฟันของแม่พิมพ์ตัดจะเปิดและหยุดที่ตำแหน่งเปิดจนสุด

หากต้องการล็อกสวิตช์สั่งงาน ให้ตั้งก้านสวิตช์เปลี่ยนทิศทางไปที่ตำแหน่งล็อก ซึ่งจะทำให้ไม่สามารถกดสวิตช์สั่งงานได้ในตำแหน่งนี้

▶ **หมายเลข 6:** 1. ก้านสวิตช์เปลี่ยนทิศทาง 2. ตำแหน่งตัด 3. ตำแหน่งล็อก 4. ตำแหน่งย้อนกลับ

ข้อสังเกต: เมื่อก้านสวิตช์เปลี่ยนทิศทางอยู่ในตำแหน่งย้อนกลับ ให้เคลื่อนที่เครื่องมือเท่าที่ต้องการเท่านั้น เพื่อป้องกันเครื่องมือเสียหาย เครื่องมือจะหยุดทำงานโดยอัตโนมัติเมื่อเคลื่อนที่ในตำแหน่งย้อนกลับอย่างต่อเนื่อง

หมายเหตุ: หลังการตัด หากคุณปล่อยสวิตช์สั่งงานในขณะที่ฟันของแม่พิมพ์ตัดยังคงเปิดอยู่ จากนั้นตั้งก้านสวิตช์เปลี่ยนทิศทางไปที่ตำแหน่งย้อนกลับ ฟันของแม่พิมพ์จะปิดและเปิดเมื่อคุณกดก้านสวิตช์สั่งงานอีกครั้ง

ไฟ LED

⚠ ข้อควรระวัง: อย่ามองเข้าไปในดวงไฟหรือจ้องดูแหล่งกำเนิดแสงโดยตรง

กดสวิตช์สั่งงานเพื่อเปิดไฟ ดวงไฟจะยังคงสว่างอยู่ในขณะที่กดสวิตช์สั่งงาน ดวงไฟจะดับลงภายในเวลาประมาณ 15 วินาทีหลังจากปล่อยสวิตช์สั่งงาน

▶ **หมายเลข 7:** 1. ดวงไฟ (ด้านใน)

หมายเหตุ: ใช้ผ้าแห้งเพื่อเช็ดสิ่งสกปรกออกจากเลนส์ของดวงไฟ ระวังอย่าขีดข่วนเลนส์ของดวงไฟ ไม่เช่นนั้น อาจทำให้ส่องสว่างได้น้อยลง

หมายเหตุ: เมื่อเครื่องมือร้อนเกินไป ไฟจะกะพริบ ในกรณีนี้ให้ปล่อยให้เครื่องมือเย็นลงก่อน

สเกลนำ

ใช้สเกลนำหากคุณต้องการที่จะตัดเหล็กเกลียวให้มีความยาวเท่ากัน สไลสเกลนำเข้าไปในรูตามภาพ

► **หมายเลข 8:** 1. สเกลนำ 2. สกรูกันคลาย

จัดตำแหน่งค่าความยาวที่คุณต้องการบนสเกลนำให้ตรงกับแนวการตัด จากนั้นขันสกรูกันคลายให้แน่น

► **หมายเลข 9:** 1. สเกลนำ 2. แนวการตัด 3. สกรูกันคลาย

⚠ ข้อควรระวัง: อย่าใช้สเกลนำเพื่อเคลื่อนย้ายหรือยกเครื่องมือ เครื่องมืออาจหล่นและทำให้ได้รับบาดเจ็บและ/หรือทำให้เครื่องมือเสียหายได้

ที่นำเหล็ก

สำหรับการตัดที่แม่นยำ ให้ตั้งที่นำเหล็กไว้ในตำแหน่งตามเส้นผ่านศูนย์กลางของเหล็กเกลียวที่จะตัด

► **หมายเลข 10:** 1. ที่นำเหล็ก (ตำแหน่ง 1) 2. ที่นำเหล็ก (ตำแหน่ง 2)

มีที่นำเหล็กสองตำแหน่ง

ตำแหน่ง	ขนาดของเหล็กเกลียว
1	W3/8, 3/8-16UNC, M10
2	W5/16, W1/4, 5/16-18UNC, 1/4-20UNC, M8, M6

ขอเกี่ยว

⚠ ข้อควรระวัง: ห้ามแขวนเครื่องมือในที่ที่ลมแรงหรือบนพื้นผิวที่อาจไม่มั่นคง

⚠ ข้อควรระวัง: อย่าใช้ขอเกี่ยวที่ผิดรูปหรือเสียหาย

⚠ ข้อควรระวัง: เมื่อไม่ใช้งานเครื่องมือ ให้ห้อยขอเกี่ยวไว้เสมอ

ขอเกี่ยวทำให้สะดวกสำหรับการแขวนเครื่องมือไว้ชั่วคราว

► **หมายเลข 11:** 1. ขอเกี่ยว

⚠ ข้อควรระวัง: อย่าแขวนขอเกี่ยวกับเข็มขัดคาดเอว หากเครื่องมือหล่น อาจทำให้ได้รับบาดเจ็บและ/หรือเกิดความเสียหายต่อเครื่องมือได้

► **หมายเลข 12**

การเก็บประแจหกเหลี่ยม

เมื่อไม่ใช้งาน ให้เก็บประแจหกเหลี่ยมตามที่แสดงในภาพ เพื่อให้สูญหาย

► **หมายเลข 13:** 1. ประแจหกเหลี่ยม

สายสะพายไหล่

อุปกรณ์เสริม

สายสะพายไหล่มีประโยชน์ในการเคลื่อนย้ายเครื่องมือ

► **หมายเลข 14:** 1. สายสะพายไหล่ 2. ปลายเข็มขัด 3. หัวเข็มขัด

⚠ ข้อควรระวัง: สะพายสายสะพายไหล่พลาดลำตัวของคุณเสมอ แล้วปรับความยาวตามความเหมาะสม

⚠ ข้อควรระวัง: อย่าใช้สายสะพายไหล่ถ้าสายมีความเสียหาย

⚠ ข้อควรระวัง: หลีกเลี่ยงการวางระหว่างหัวเข็มขัดและปลายเข็มขัดที่เพียงพอ เพื่อป้องกันปลายเข็มขัดหลุดจากหัวเข็มขัด

การประกอบ

⚠ ข้อควรระวัง: ตรวจสอบให้แน่ใจว่าได้ปิดสวิตช์เครื่องมือและถอดปลั๊กแบตเตอรี่ออกก่อนดำเนินการใดๆ กับเครื่องมือ

การติดตั้งแม่พิมพ์ตัด

⚠ ข้อควรระวัง: ติดตั้งแม่พิมพ์ตัดในทิศทางที่ถูกต้องและยึดให้แน่นเสมอ การติดตั้งที่ไม่ถูกต้องหรือยึดไม่แน่นอาจทำให้แม่พิมพ์ตัดแตก ซึ่งส่งผลให้ได้รับบาดเจ็บจากเศษชิ้นส่วนกระเด็นออกได้

ข้อสังเกต: หากมีหมามแหลมบนแม่พิมพ์ตัด ให้กำจัดออกโดยใช้ตะไบ

1. ตรวจสอบว่าฟันของแม่พิมพ์ตัดเปิดออกจนสุด หากยังไม่เปิดออกจนสุด ให้ติดตั้งแบตเตอรี่และกดสวิตช์สั่งงานจนกว่าฟันจะเปิดออกจนสุด

⚠ ข้อควรระวัง: หากมีการติดตั้งปลั๊กแบตเตอรี่ ตรวจสอบให้แน่ใจว่าถอดปลั๊กแบตเตอรี่ออกแล้ว

2. ตั้งก้านสวิตช์เปลี่ยนทิศทางไปที่ตำแหน่งล็อค

► **หมายเลข 15:** 1. ก้านสวิตช์เปลี่ยนทิศทาง

3. คลายสลักเกลียวด้วยประแจหกเหลี่ยมที่มีมาให้

⚠ ข้อควรระวัง: ใช้เฉพาะประแจของ Makita ที่ให้มากับเครื่องมือเท่านั้น การใช้ประแจอื่นๆ อาจทำให้ชิ้นแน่นเกินไปหรือชิ้นไม่แน่นพอซึ่งอาจทำให้ได้รับบาดเจ็บได้

4. ติดตั้งแม่พิมพ์ตัดบนตัวยึดโดยให้เห็นเครื่องหมายทั้งสองสี
- ▶ **หมายเลข 16:** 1. สลักเกลียว 2. แม่พิมพ์ตัด 3. ตัวยึดคองที่ 4. ตัวยึดเคลื่อนที่ 5. เครื่องหมายสี 6. ประแจหกเหลี่ยม
5. ยึดแม่พิมพ์ตัดด้วยสลักเกลียวให้แน่น

แม่พิมพ์ตัดจะถูกติดตั้งอย่างถูกต้องหากลูกศรบนแม่พิมพ์ชี้เข้าหาหัน แม่พิมพ์ตัดมีขนาดเท่ากัน แต่ความหนาจะแตกต่างกันเมื่อมองจากด้านบน

- ▶ **หมายเลข 17:** 1. ลูกศร 2. แม่พิมพ์ตัด 3. ด้านบาง 4. ด้านหนา

การใช้งาน

⚠ ข้อควรระวัง: ตรวจสอบให้แน่ใจว่าติดตั้งแม่พิมพ์ตัดซึ่งมีขนาดที่ถูกต้องเข้ากับเครื่องมือ ตรวจสอบความสามารถในการตัดที่ระบุบนแม่พิมพ์ตัดก่อนทำการตัด

⚠ ข้อควรระวัง: ก่อนกดสวิทช์สั่งงาน ตรวจสอบให้แน่ใจว่าได้ตั้งเหล็กเกลียวโดยให้เกลียวเข้ากับแม่พิมพ์ตัดแล้ว การจัดแนวเกลียวที่ไม่ถูกต้องอาจทำให้แม่พิมพ์ตัดแตกและทำให้ได้รับบาดเจ็บจากเศษชิ้นส่วนที่กระเด็นออกได้

⚠ ข้อควรระวัง: เปลี่ยนแม่พิมพ์ตัดหากขอการตัดบิ่นหรือมีดรูป

เมื่อทำการตัด ให้วางเหล็กเกลียวให้ตั้งฉากกับแนวการตัดตามภาพ

- ▶ **หมายเลข 18:** 1. แนวการตัด

หมายเหตุ: เมื่อตัดเหล็กเกลียวที่ทำจากโลหะที่ตัดได้ เช่น สเตนเลสสตีล อาจมีหนามแหลมเกิดขึ้นที่ส่วนปลายที่ตัดในกรณีนี้ให้กำจัดหนามแหลมออกด้วยตะไบ

- ▶ **หมายเลข 19:** 1. เหล็กเกลียว 2. หนามแหลม

การตัดเหล็กเกลียวที่ถูกยึดไว้

เมื่อทำการตัดเหล็กเกลียวที่ถูกยึดเข้ากับโครงสร้างอาคาร เช่น เพดาน ผนัง พื้น ทราย ให้ปฏิบัติตามขั้นตอนด้านล่างนี้

- ▶ **หมายเลข 20:** 1. เหล็กเกลียว 2. แม่พิมพ์ตัดบนตัวยึดคองที่

1. วางเครื่องมือโดยให้เหล็กเกลียวอยู่ในตำแหน่งระหว่างแม่พิมพ์ตัด

2. ในขณะที่เหล็กเกลียวสัมผัสกับที่นำเหล็ก จัดให้เกลียวของเหล็กตรงกับเกลียวของแม่พิมพ์ตัดบนตัวยึดคองที่

3. กดสวิทช์สั่งงานค้างไว้จนกระทั่งเสร็จสิ้นการตัด และพื้นของแม่พิมพ์ตัดอยู่ในตำแหน่งเปิดจนสุด

ข้อสังเกต: ทำความสะอาดพื้นผิวด้านหน้าของเครื่องมือและส่วนปลายของสกลนาก่อนใช้งาน เนื่องจากอาจทำให้พื้นผิวที่สัมผัสสกปรกได้

การตัดเหล็กเกลียวที่หลวม

เมื่อทำการตัดเหล็กเกลียวที่หลวมบนพื้นหรือบนโต๊ะทำงาน ให้ปฏิบัติตามขั้นตอนด้านล่างนี้

- ▶ **หมายเลข 21:** 1. เหล็กเกลียว 2. แม่พิมพ์ตัดบนตัวยึดคองที่

1. จัดตำแหน่งของเหล็กเกลียวให้อยู่ระหว่างแม่พิมพ์ตัด
2. ในขณะที่เหล็กเกลียวสัมผัสกับที่นำเหล็ก จัดให้เกลียวของเหล็กตรงกับเกลียวของแม่พิมพ์ตัดบนตัวยึดคองที่
3. กดสวิทช์สั่งงานค้างไว้จนกระทั่งเสร็จสิ้นการตัด และพื้นของแม่พิมพ์ตัดอยู่ในตำแหน่งเปิดจนสุด

เมื่อทำการตัดเหล็กเกลียวที่ยาวซึ่งยากที่จะจับด้วยมือ ให้วางเครื่องมือไว้ตามภาพ สามารถวางเครื่องมือในแนวราบได้ สามารถใช้ฝาครอบเพื่อรองรับส่วนปลายของเหล็กเกลียวได้

- ▶ **หมายเลข 22:** 1. ฝาครอบ (ตำแหน่ง 1) 2. ที่นำเหล็ก (ตำแหน่ง 1) 3. ฝาครอบ (ตำแหน่ง 2) 4. ที่นำเหล็ก (ตำแหน่ง 2)

ฝาครอบมีเครื่องหมายเพื่อแสดงตำแหน่ง วางฝาครอบรวมถึงที่นำเหล็กในตำแหน่งตามตาราง โดยขึ้นอยู่กับขนาดของเหล็กเกลียว

ตำแหน่ง	ขนาดของเหล็กเกลียว
1	W3/8, 3/8-16UNC, M10
2	W5/16, W1/4, 5/16-18UNC, 1/4-20UNC, M8, M6

การหยุดตัดกลางคัน

⚠ ข้อควรระวัง: ห้ามพยายามฝืนดึงเครื่องมือออกจากเหล็กเกลียว เนื่องจากอาจทำให้เครื่องมือเริ่มทำงานโดยไม่ได้ตั้งใจซึ่งทำให้ได้รับบาดเจ็บหรือทำให้แม่พิมพ์ตัดและเครื่องมือเสียหายได้

เมื่อหยุดตัดกลางคัน ให้ตั้งก้านสวิทช์เปลี่ยนทิศทางไปที่ตำแหน่งย้อนกลับ แล้วกดสวิทช์สั่งงานจนกระทั่งเหล็กเกลียวถูกปล่อยออกจากแม่พิมพ์ตัดจนสุดแล้ว

การบำรุงรักษา

⚠ ข้อควรระวัง: ตรวจสอบให้แน่ใจว่าได้ปิดสวิตช์เครื่องมือและถอดถลับแบตเตอรี่ออกก่อนทำการตรวจสอบหรือบำรุงรักษา

ข้อสังเกต: อย่าใช้น้ำมันเชื้อเพลิง เบนซิน ทินเนอร์ แอลกอฮอล์ หรือวัสดุประเภทเดียวกัน เนื่องจากอาจทำให้เกิดสีตจาง เสียรูป หรือแตกร้าวได้

การเปลี่ยนแม่พิมพ์ตัด

ข้อสังเกต: เปลี่ยนแม่พิมพ์ตัดทั้งคู่พร้อมๆ กัน การเปลี่ยนแม่พิมพ์ตัดเพียงด้านเดียวอาจทำให้เกิดความแหลมที่หลักเกลียวได้

เปลี่ยนแม่พิมพ์ตัดเมื่อเกิดรอยบิ่น การผิดรูป หรือการตัดมีประสิทธิภาพลดลง เมื่อต้องการเปลี่ยนแม่พิมพ์ตัด ให้ปฏิบัติตามคำแนะนำใน “การติดตั้งแม่พิมพ์ตัด”

► **หมายเลข 23:** 1. รอยบิ่น 2. การผิดรูป

แม่พิมพ์ตัดหนึ่งอันประกอบด้วยขอบการตัดสองด้านและด้านหน้าและด้านหลัง เปลี่ยนตำแหน่งการติดตั้งแม่พิมพ์ตัด หากคุณยังไม่ได้ใช้ขอบการตัดด้านอื่นๆ

► **หมายเลข 24:** 1. ขอบการตัด 2. ด้านบาง 3. ด้านหนา

การเคลื่อนย้าย/จัดเก็บเครื่องมือ

⚠ ข้อควรระวัง: เมื่อไม่ได้ใช้เครื่องมือ ให้ใส่ฝาคครอบที่ให้มาที่ส่วนการตัดเสมอ

ใส่ฝาคครอบเมื่อเคลื่อนย้ายเครื่องมือ

เมื่อจัดเก็บเครื่องมือ ให้นำถลับแบตเตอรี่และสเกลน้อออกจากเครื่องมือ ทำความสะอาดฝุ่นบนแม่พิมพ์ตัดและชิ้นส่วนที่เคลื่อนที่ หลังจากนั้นให้ใส่ฝาคครอบ

► **หมายเลข 25:** 1. ฝาคครอบ

เพื่อความปลอดภัยและนำเชื้อถือของผลิตภัณฑ์ ควรให้ศูนย์บริการหรือโรงงานที่ผ่านการรับรองจาก Makita เป็นผู้ดำเนินการซ่อมแซม บำรุงรักษาและทำการปรับตั้งอื่นๆ นอกจากนี้ให้ใช้อะไหล่ของแท้จาก Makita เสมอ

อุปกรณ์เสริม

⚠ ข้อควรระวัง: ขอแนะนำให้ใช้เฉพาะอุปกรณ์เสริมหรืออุปกรณ์ต่อพ่วงเหล่านี้กับเครื่องมือ Makita ที่ระบุในคู่มือการใช้งานใช้อุปกรณ์เสริมหรืออุปกรณ์ต่อพ่วงอื่นๆ อาจมีความเสี่ยงที่จะได้รับบาดเจ็บ ใช้อุปกรณ์เสริมหรืออุปกรณ์ต่อพ่วงตามวัตถุประสงค์ที่ระบุไว้เท่านั้น

หากต้องการทราบรายละเอียดเพิ่มเติมเกี่ยวกับอุปกรณ์เสริมเหล่านี้ โปรดสอบถามศูนย์บริการ Makita ใกล้บ้านคุณ

- แม่พิมพ์ตัด
- สายสะพายไหล่
- แบตเตอรี่และเครื่องชาร์จ Makita ของแท้

หมายเหตุ: อุปกรณ์บางรายการอาจจะรวมอยู่ในชุดเครื่องมือเป็นอุปกรณ์มาตรฐาน ซึ่งอาจแตกต่างกันไปในแต่ละประเทศ

Makita Corporation
3-11-8, Sumiyoshi-cho,
Anjo, Aichi 446-8502 Japan
www.makita.com

885631A371
EN, ID, VI, TH
20180807