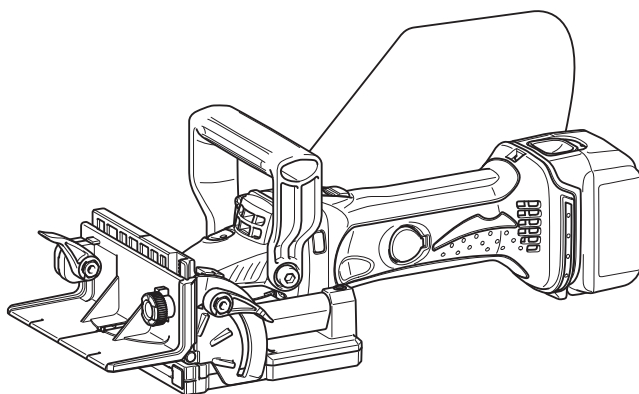
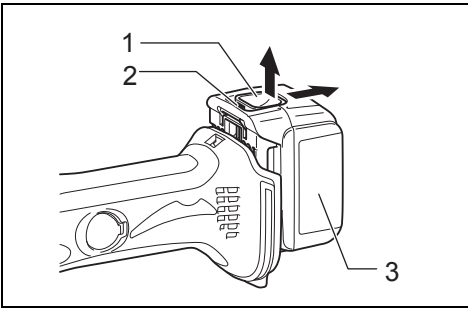




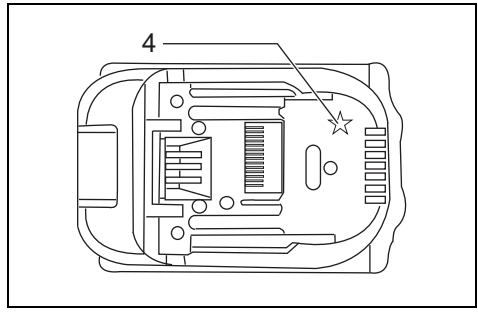
GB	Cordless Plate Joiner	Instruction Manual
F	Lamelleuse Sans Fil	Manuel d'instructions
D	Akku-Nutfräse	Betriebsanleitung
I	Fresatrice lamellare a batteria	Istruzioni per l'uso
NL	Snoerloze lamellenfreesmachine	Gebruiksaanwijzing
E	Engalletadora Inalámbrica	Manual de instrucciones
P	Fresadora de Junção a bateria	Manual de instruções
DK	Akku-universalfræser	Brugsanvisning
GR	Φορητός συναρμολογητής σανίδων	Οδηγίες χρήσεως
TR	Akülü Zivana Açma Makinesi	Kullanma kılavuzu

DPJ140
DPJ180

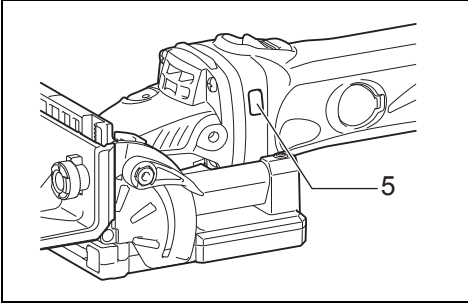




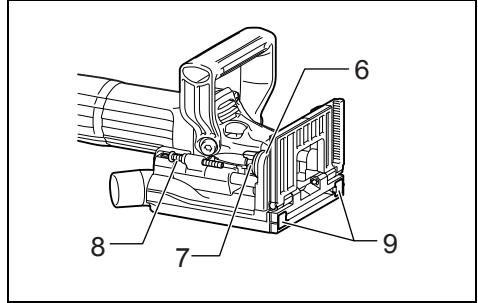
1 012510



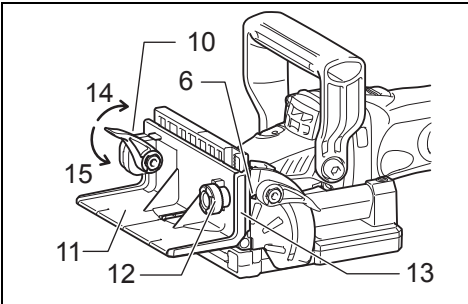
2 012128



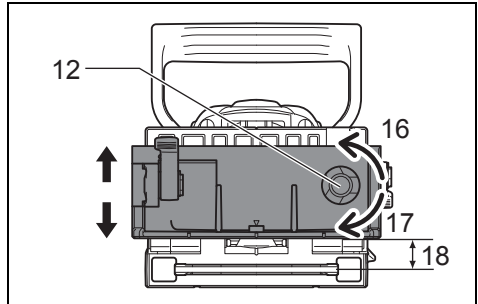
3 012513



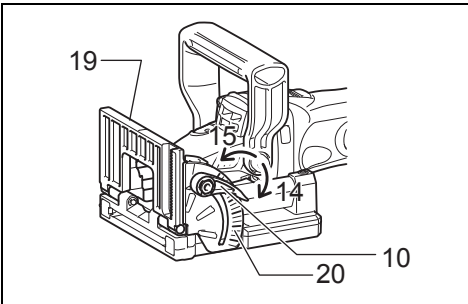
4 012682



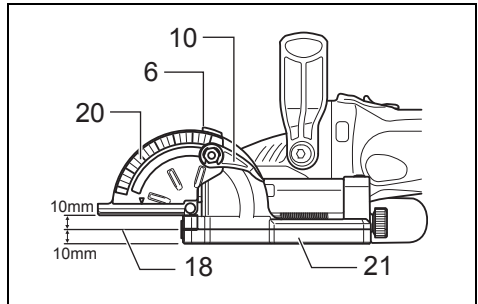
5 012497



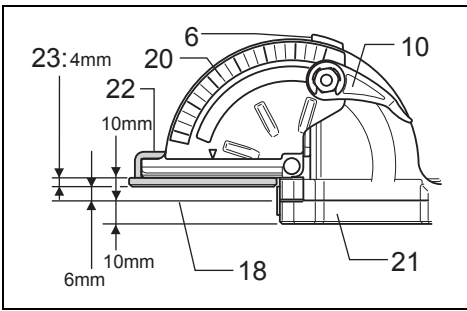
6 012498



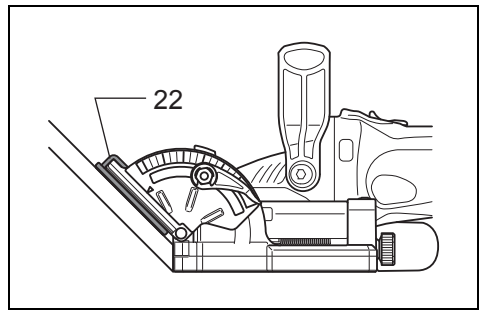
7 012499



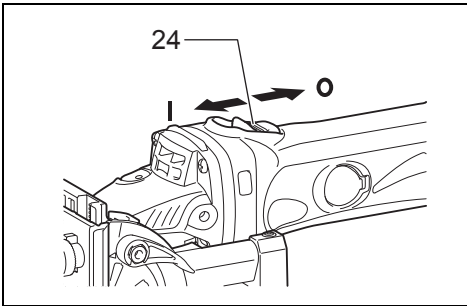
8 012500



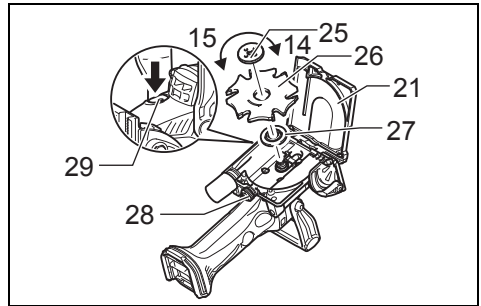
9 012258



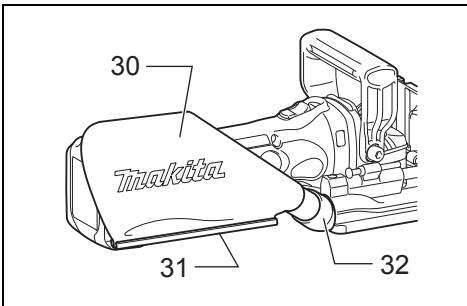
10 012501



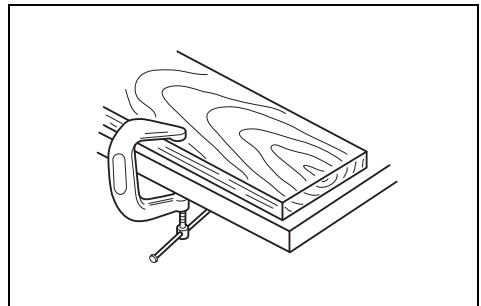
11 012512



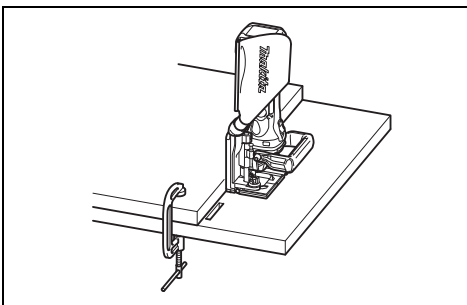
12 012502



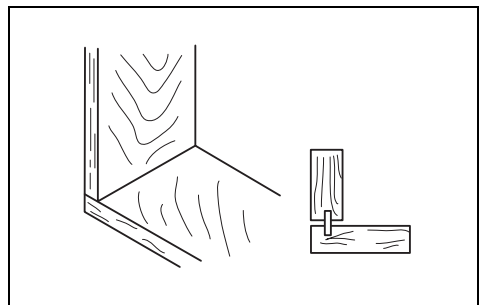
13 012503



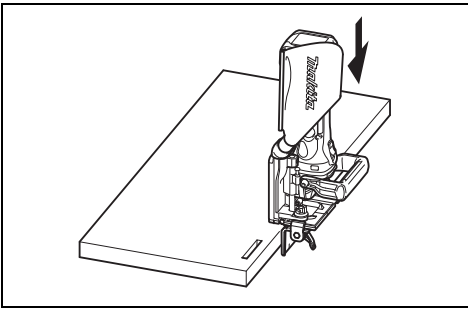
14 004589



15 012504

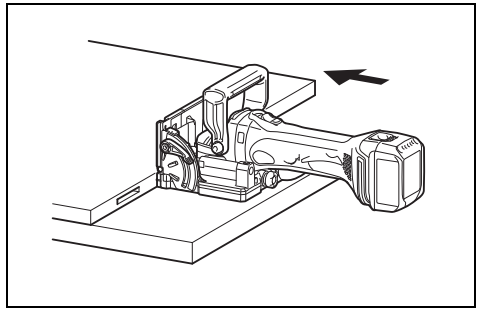


16 004584



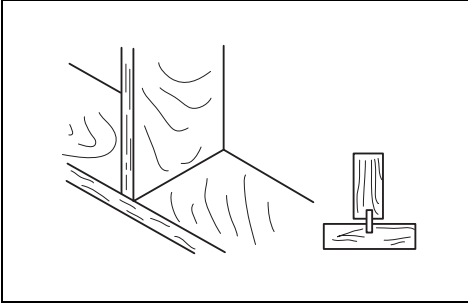
17

012505



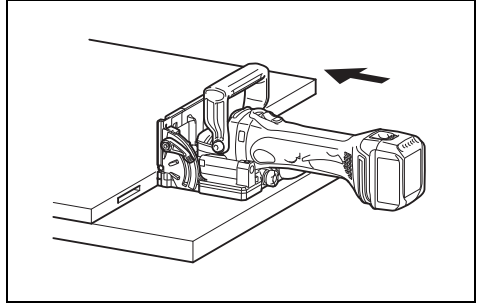
18

012506



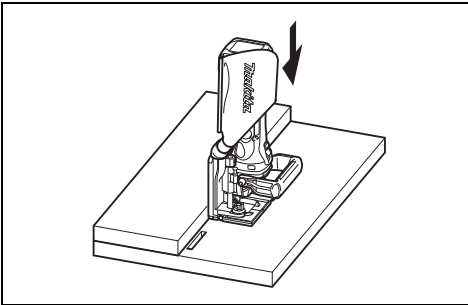
19

004585



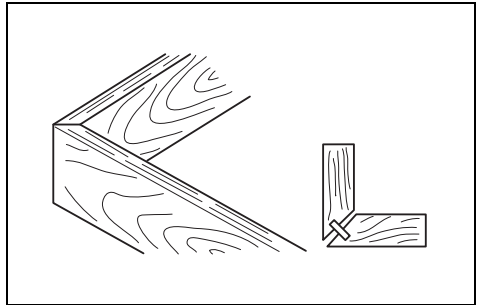
20

012506



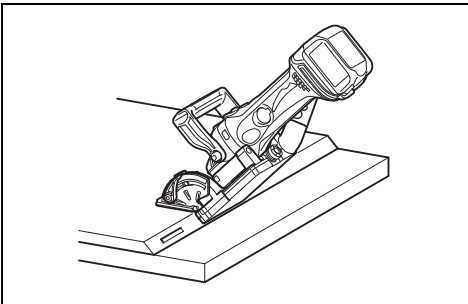
21

012507



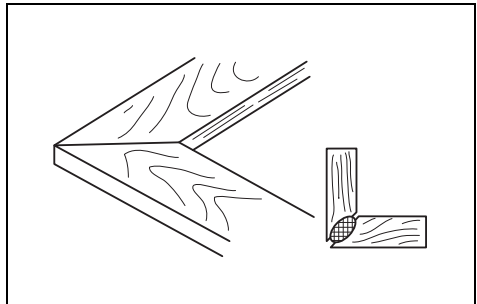
22

004586



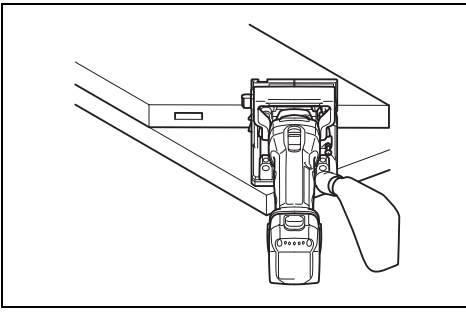
23

012508



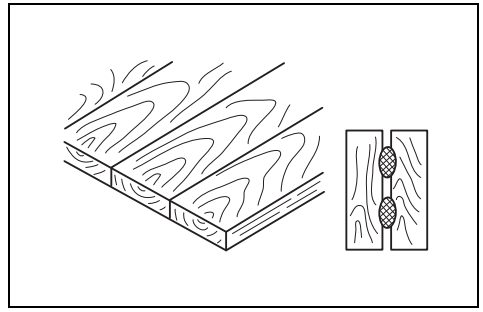
24

004587



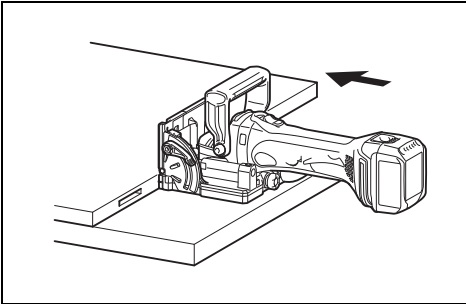
25

012509



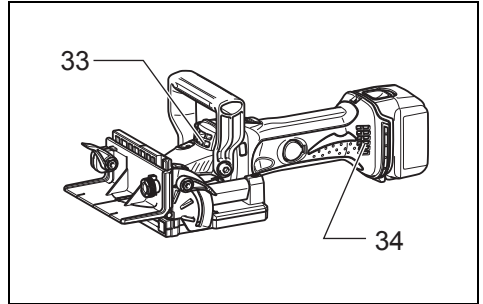
26

004588



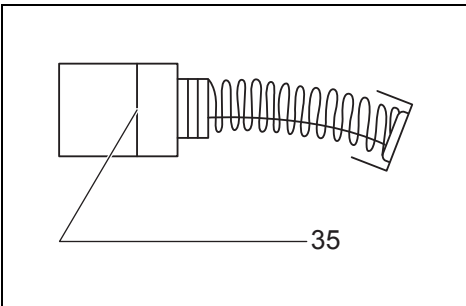
27

012506



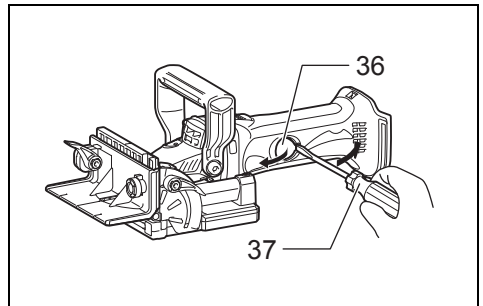
28

012518



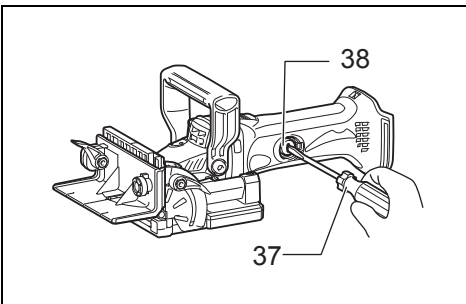
29

001145



30

012514



31

012515

Explanation of general view

1 Button	14 Tighten	27 Inner flange
2 Red indicator	15 Loosen	28 Clamp screw
3 Battery cartridge	16 Down	29 Shaft lock
4 Star marking	17 Up	30 Dust bag
5 Indication lamp	18 Center of blade thickness	31 Fastener
6 Pointer	19 Fence	32 Dust nozzle
7 Stopper	20 Angle scale	33 Exhaust vent
8 Adjusting screw	21 Blade cover	34 Inhalation vent
9 Rubber spike	22 Set plate	35 Limit mark
10 Lock lever	23 Thickness of set plate	36 Holder cap cover
11 Angle guide	24 Slide switch	37 Screwdriver
12 Knob	25 Lock nut	38 Brush holder cap
13 Scale	26 Plate joiner blade	

SPECIFICATIONS

Model	DPJ140	DPJ180
Type of blade	Plate Joiner	
Max. grooving depth	20 mm	
No load speed (min ⁻¹)	6,500	
Overall length	351 mm	
Net weight	3.0 kg	
Rated voltage	D.C. 14.4 V	D.C. 18 V

- Due to our continuing program of research and development, the specifications herein are subject to change without notice.
- Specifications and battery cartridge may differ from country to country.
- Weight, with battery cartridge, according to EPTA-Procedure 01/2003

ENE013-1

Intended use

The tool is intended for cutting crescent shaped slots for the placement of flat wooden dowels or biscuit by a plunging action.

GEA010-1

General Power Tool Safety Warnings

⚠ WARNING Read all safety warnings and all instructions. Failure to follow the warnings and instructions may result in electric shock, fire and/or serious injury.

Save all warnings and instructions for future reference.

GEB093-1

CORDLESS PLATE JOINER SAFETY WARNINGS

1. **Blades must be rated for at least the speed marked on the tool.** Blades running over rated speed can fly apart and cause injury.
2. **Always use the guard.** The guard protects the operator from broken blade fragments and unintentional contact with the blade.
3. **Use only the blades specified for this tool.**

4. **Never operate the tool with the blade locked in exposed position or without the blade cover secured properly in place.**
5. **Make sure that the blade slides smoothly before operation.**
6. **Check the blades carefully for cracks or damage before operation. Replace cracked or damaged blades immediately.**
7. **Make sure that the flange fits in the arbor hole when installing the blade.**
8. **Inspect for and remove all nails or foreign matter from the workpieces before operation.**
9. **Always place the workpieces on a stable workbench.**
10. **Secure the workpieces firmly with clamp or vise.**
11. **NEVER wear gloves during operation.**
12. **Hold the tool firmly with both hands.**
13. **Keep your hands and body away from the grooving area.**
14. **Run the tool for a while without the blade pointing toward anybody. Watch for vibration or wobbling that could indicate poor installation or a poorly balanced blade.**
15. **Never reach your hands underneath the workpieces while the blade is rotating.**
16. **Do not leave the tool running unattended.**
17. **Always be sure that the tool is switched off and the battery cartridge is removed before making any adjustments or replacing the blade.**
18. **Some material contains chemicals which may be toxic. Take caution to prevent dust inhalation and skin contact. Follow material supplier safety data.**
19. **Do not use blunt or damaged blades.**

20. Do not use the tool with damaged guards.

SAVE THESE INSTRUCTIONS.

⚠ WARNING:

DO NOT let comfort or familiarity with product (gained from repeated use) replace strict adherence to safety rules for the subject product. MISUSE or failure to follow the safety rules stated in this instruction manual may cause serious personal injury.

ENC007-8

IMPORTANT SAFETY INSTRUCTIONS

FOR BATTERY CARTRIDGE

1. Before using battery cartridge, read all instructions and cautionary markings on (1) battery charger, (2) battery, and (3) product using battery.
2. Do not disassemble battery cartridge.
3. If operating time has become excessively shorter, stop operating immediately. It may result in a risk of overheating, possible burns and even an explosion.
4. If electrolyte gets into your eyes, rinse them out with clear water and seek medical attention right away. It may result in loss of your eyesight.
5. Do not short the battery cartridge:
 - (1) Do not touch the terminals with any conductive material.
 - (2) Avoid storing battery cartridge in a container with other metal objects such as nails, coins, etc.
 - (3) Do not expose battery cartridge to water or rain.

A battery short can cause a large current flow, overheating, possible burns and even a breakdown.
6. Do not store the tool and battery cartridge in locations where the temperature may reach or exceed 50°C (122°F).
7. Do not incinerate the battery cartridge even if it is severely damaged or is completely worn out. The battery cartridge can explode in a fire.
8. Be careful not to drop or strike battery.
9. Do not use a damaged battery.
10. Follow your local regulations relating to disposal of battery.

SAVE THESE INSTRUCTIONS.

Tips for maintaining maximum battery life

1. Charge the battery cartridge before completely discharged.

Always stop tool operation and charge the battery cartridge when you notice less tool power.
2. Never recharge a fully charged battery cartridge. Overcharging shortens the battery service life.
3. Charge the battery cartridge with room temperature at 10°C – 40°C (50°F – 104°F). Let a hot battery cartridge cool down before charging it.
4. Charge the battery cartridge once in every six months if you do not use it for a long period of time.

FUNCTIONAL DESCRIPTION

⚠ CAUTION:

- Always be sure that the tool is switched off and the battery cartridge is removed before adjusting or checking function on the tool.

Installing or removing battery cartridge (Fig. 1)

⚠ CAUTION:

- Always switch off the tool before installing or removing of the battery cartridge.
- **Hold the tool and the battery cartridge firmly when installing or removing battery cartridge.** Failure to hold the tool and the battery cartridge firmly may cause them to slip off your hands and result in damage to the tool and battery cartridge and a personal injury.

To remove the battery cartridge, slide it from the tool while sliding the button on the front of the cartridge.

To install the battery cartridge, align the tongue on the battery cartridge with the groove in the housing and slip it into place. Insert it all the way until it locks in place with a little click. If you can see the red indicator on the upper side of the button, it is not locked completely.

⚠ CAUTION:

- Always install the battery cartridge fully until the red indicator cannot be seen. If not, it may accidentally fall out of the tool, causing injury to you or someone around you.
- Do not install the battery cartridge forcibly. If the cartridge does not slide in easily, it is not being inserted correctly.

Battery protection system (Fig. 2)

The tool is equipped with a battery protection system. This system automatically cuts off power to the motor to extend battery life.

The tool will automatically stop during operation if the tool and/or battery are placed under one of the following conditions:

- Overloaded:

The tool is operated in a manner that causes it to draw an abnormally high current.

In this situation, turn the tool off and stop the application that caused the tool to become overloaded. Then turn the tool on to restart.

If the tool does not start, the battery is overheated. In this situation, let the battery cool before turning the tool on again.
- Low battery voltage:

The remaining battery capacity is too low and the tool will not operate. In this situation, remove and recharge the battery.

NOTE:

- The overheat protection works only with a battery cartridge with a star mark.

Indication lamp with multi function (Fig. 3)

Indication lamps are located in two positions.

When the battery cartridge is inserted on the tool with the slide switch positioned in the "O (OFF)" position, the indication lamp flickers quickly for approximately one second. If it does not flicker so, the battery cartridge or indication lamp has broken.

– Overload protection

- When the tool is overloaded, the indication lamp lights up. When the load on the tool is reduced, the lamp goes out.

- If the tool continues to be overloaded and the indication lamp continues to light up for approximately two seconds, the tool stops. This prevents the motor and its related parts from being damaged.
 - In this case, to start the tool again, move the slide switch to the "O (OFF)" position once and then to the "I (ON)" position.
- Battery cartridge replacing signal**
- When the remaining battery capacity gets small, the indicator lamp lights up during operation earlier than enough capacity battery use.
- Accidental re-start preventive function**
- Even if the battery cartridge is inserted on the tool with the slide switch in the "I (ON)" position, the tool does not start. At this time, the lamp flickers slowly and this shows that the accidental re-start preventive function is at work.
 - To start the tool, first slide the slide switch toward the "O (OFF)" position and then slide it toward the "I (ON)" position.

Adjusting the depth of groove (Fig. 4)

6 grooving depths can be preset according to the size of biscuit to be used.

Refer to the table below for the correspondence between the sizes marked on the stopper and the biscuit size. Fine adjustments to the grooving depth can be made by turning the adjusting screw after loosening the hex nut. This may become necessary after the blade has been resharpened a few times.

Size on stopper	0	10	20	S	D	MAX
Biscuit size	0	10	20	—	—	—
Depth of groove	8 mm	10 mm	12.3 mm	13 mm	14.7 mm	20 mm*

* With the rubber spikes removed.

012681

Angle guide (Fig. 5 & 6)

The angle guide height can be moved up and down to adjust the position of the blade in relation to the top of the workpiece.

To adjust the angle guide height, loosen the lock lever down and rotate the knob until the pointer points to the desired scale graduation marked on the angle guide.

Then tighten the lock lever up to secure the angle guide. The scale on the angle guide indicates the distance from the top of the workpiece to the center of the blade thickness.

The angle guide is removable from the fence according to the need of your work. To remove the angle guide, loosen the lock lever and turn the knob clockwise until it comes out of the upper end of the fence.

Fence (Fig. 7 & 8)

NOTE:

- Remove the angle guide according to the need of your work when using the tool with the angle of the fence adjusted to other than 0°. When you need to use the angle guide under the above condition, be sure to adjust the depth of groove to get a proper depth.

The angle of the fence can be adjusted between 0° and 90° (positive stops at 0°, 45° and 90°). To adjust the angle, loosen the lock lever and tilt the fence until the pointer points to the desired graduation on the angle scale. Then tighten the lock lever to secure the fence. When the fence is set at 90°, both the distance from the center of the blade thickness to the fence and the distance from the center of the blade thickness to the bottom of the base are 10 mm.

Set plate (Fig. 9 & 10)

Use the set plate as shown in Fig. 9 & 10 when cutting slots in thin workpieces.

Switch action (Fig. 11)

⚠ CAUTION:

- Before installing the battery cartridge into the tool, always check to see that the slide switch actuates properly and returns to the "OFF" position when the rear of the slide switch is depressed.
- Switch can be locked in "ON" position for ease of operator comfort during extended use. Apply caution when locking tool in "ON" position and maintain firm grasp on tool.

To start the tool, slide the slide switch toward the "I (ON)" position. For continuous operation, press the front of the slide switch to lock it.

To stop the tool, press the rear of the slide switch, then slide it toward the "O (OFF)" position.

ASSEMBLY

⚠ CAUTION:

- Always be sure that the tool is switched off and the battery cartridge is removed before carrying out any work on the tool.

Removing or installing the blade (Fig. 12)

⚠ CAUTION:

- When installing the plate joiner blade, mount the inner flange with the side marked "22" facing toward you.

To remove the blade, loosen the clamp screw and open the blade cover. Push the shaft lock and loosen the lock nut using the lock nut wrench. To install the blade, first mount the inner flange.

Then mount the blade and the lock nut. Securely tighten the lock nut using the lock nut wrench. Close the blade cover and tighten the clamp screw to secure the blade cover.

⚠ CAUTION:

- Use only Makita lock nut wrench provided to remove or install the blade.
- Always check the depth of groove after replacing the blade. Readjust it if necessary.

Dust bag (Fig. 13)

To attach the dust bag, fit it onto the dust nozzle. If the dust bag becomes an obstacle to your work, turn the dust nozzle to change the dust bag position.

When the dust bag is about half full, switch off and remove the battery cartridge. Remove the dust bag from the tool and pull the bag's fastener out. Empty the dust bag by tapping it lightly to remove as much of the dust as possible.

NOTE:

- If you connect a Makita vacuum cleaner to your plate joiner, more efficient and cleaner operations can be performed.

OPERATION**How to make joints****⚠ WARNING:**

- Always clamp the workpiece to the workbench before each operation. (Fig. 14 & 15)

Corner Joint (Fig. 16, 17 & 18)**T-Butt Joint (Fig. 19, 20 & 21)****Miter Joint (Fig. 22 & 23)****Frame Joint (Fig. 24 & 25)****Edge-To-Edge Joint (Fig. 26 & 27)**

To make joints, proceed as follows:

1. Fit the two workpieces together as they will appear in the finished joint position.
2. Mark the center of the intended biscuit grooves on the workpiece using a pencil.

NOTE:

- The center of grooves should be at least 50 mm from the outer edge of the workpieces.
 - Allow 100 mm – 150 mm between grooves in multiple biscuit application.
3. **For Corner Joint and T-Butt Joint only**
Clamp the vertical workpiece to the workbench.
For Miter Joint only
Clamp one workpiece to the workbench with the mitered edge facing up.
For Frame Joint and Edge-To-Edge Joint only
Clamp one workpiece to the workbench.
 4. Set the depth of groove according to the size of biscuit to be used. Refer to the table in the “Adjusting the depth of groove” section.
 5. Adjust the angle guide height so that the blade is centered in the board thickness.
 6. Align the center mark on the base with the pencil line on the workpiece.
 7. Switch on the tool and gently push it forward to extend the blade into the workpiece.
 8. Gently return the tool to the original position after the adjusting screw reaches the stopper.
 9. **For Corner Joint and T-Butt Joint only**
Clamp the horizontal workpiece to the workbench.
For Miter Joint only
Clamp the other workpiece to the workbench with the mitered edge facing up.
For Frame Joint and Edge-To-Edge Joint only
Clamp the other workpiece to the workbench.
 10. **For Corner Joint only**
Place the tool on the workpiece so that the blade is facing down.
For T-Butt Joint only
Remove the angle guide from the tool. Place the tool on the workpiece so that the blade is facing down.
 11. Repeat the steps 6 – 8 to groove in the horizontal or the other workpiece.

If you do not need to center the blade in the board thickness, proceed as follows:

For Corner Joint, Miter Joint, Frame Joint and Edge-To-Edge Joint only

- Remove the angle guide from the tool. Set the fence at 90° for Corner Joint, Frame Joint and Edge-To-Edge Joint or at 45° for Miter Joint.
- Follow steps 1 – 11 excluding steps 5 and 10 described above.

For T-Butt Joint only

- Fit the two workpieces together as they will appear in the finished joint position.
- Lay the vertical workpiece on the horizontal one. Clamp both workpieces to the workbench.
- Remove the angle guide from the tool.
- Follow the steps 2, 4, 6, 7, 8 and 11 described above.

MAINTENANCE**⚠ CAUTION:**

- Always be sure that the tool is switched off and the battery cartridge is removed before attempting to perform inspection or maintenance.
- Never use gasoline, benzene, thinner, alcohol or the like. Discoloration, deformation or cracks may result.

The tool and its air vents have to be kept clean. Regularly clean the tool's air vents or whenever the vents start to become obstructed. (Fig. 28)

Replacing carbon brushes

Remove and check the carbon brushes regularly. Replace when they wear down to the limit mark. Keep the carbon brushes clean and free to slip in the holders. Both carbon brushes should be replaced at the same time. Use only identical carbon brushes. (Fig. 29)
Insert the top end of slotted bit screwdriver into the notch in the tool and remove the holder cap cover by lifting it up. (Fig. 30)

Use a screwdriver to remove the brush holder caps. Take out the worn carbon brushes, insert the new ones and secure the brush holder caps. (Fig. 31)

Reinstall the holder cap cover on the tool.

To maintain product SAFETY and RELIABILITY, repairs, any other maintenance or adjustment should be performed by Makita Authorized Service Centers, always using Makita replacement parts.

OPTIONAL ACCESSORIES**⚠ CAUTION:**

- These accessories or attachments are recommended for use with your Makita tool specified in this manual. The use of any other accessories or attachments might present a risk of injury to persons. Only use accessory or attachment for its stated purpose.

If you need any assistance for more details regarding these accessories, ask your local Makita Service Center.

- Angle guide
- Dust bag
- Set plate
- Lock nut wrench
- Plate joiner blades
- Makita genuine battery and charger

NOTE:

- Some items in the list may be included in the tool package as standard accessories. They may differ from country to country.

ENG905-1

Noise

The typical A-weighted noise level determined according to EN60745:

Model DPJ140

Sound pressure level (L_{pA}): 73 dB (A)

Uncertainty (K): 3 dB (A)

The noise level under working may exceed 80 dB (A).

Model DPJ180

Sound pressure level (L_{pA}): 74 dB (A)

Uncertainty (K): 3 dB (A)

The noise level under working may exceed 80 dB (A).

Wear ear protection

ENG900-1

Vibration

The vibration total value (tri-axial vector sum) determined according to EN60745:

Work mode: cutting grooves in MDF

Vibration emission (a_{H1}): 2.5 m/s² or less

Uncertainty (K): 1.5 m/s²

ENG901-1

- The declared vibration emission value has been measured in accordance with the standard test method and may be used for comparing one tool with another.
- The declared vibration emission value may also be used in a preliminary assessment of exposure.

⚠ WARNING:

- The vibration emission during actual use of the power tool can differ from the declared emission value depending on the ways in which the tool is used.
- Be sure to identify safety measures to protect the operator that are based on an estimation of exposure in the actual conditions of use (taking account of all parts of the operating cycle such as the times when the tool is switched off and when it is running idle in addition to the trigger time).

EC DECLARATION OF CONFORMITY**For European countries only**

The EC declaration of conformity is included as Annex A to this instruction manual.

Descriptif

1 Bouton	15 Desserrer	27 Flasque intérieur
2 Témoin rouge	16 Pour descendre	28 Vis de serrage
3 Batterie	17 Pour monter	29 Blocage de l'arbre
4 Marque étoilée	18 Plan médian de l'épaisseur de la lame	30 Sac à poussière
5 Voyant	19 Plaque frontale	31 Barrette de fermeture
6 Index	20 Secteur gradué	32 Buse
7 Butée	21 Couvercle de lame	33 Orifice de sortie
8 Vis de réglage	22 Plaque de surépaisseur	34 Orifice d'entrée
9 Crampon de caoutchouc	23 Epaisseur de la plaque de surépaisseur	35 Marque de limite
10 Levier de verrouillage	24 Interrupteur à glissière	36 Cache du bouchon de porte-charbon
11 Guide d'angle	25 Flasque extérieur	37 Tournevis
12 Molette	26 Lame de tourillonneuse	38 Bouchon de porte-charbon
13 Echelle graduée		
14 Serrer		

SPÉCIFICATIONS

Modèle	DPJ140	DPJ180
Type de lame	Lamellose	
Profondeur de rainurage max.	20 mm	
Vitesse à vide (min ⁻¹)	6 500	
Longueur totale	351 mm	
Poids net	3,0 kg	
Tension nominale	C.C. 14,4 V	C.C. 18 V

- Étant donné l'évolution constante de notre programme de recherche et de développement, les spécifications contenues dans ce manuel sont sujettes à modification sans préavis.
- Les spécifications et la batterie peuvent être différentes suivant les pays.
- Poids, avec la batterie, conformément à la procédure EPA-01/2003

ENE013-1

Utilisations

L'outil est conçu pour la coupe de fentes incurvées pour la pose de chevilles de bois plates ou de lamelles, en plongée.

GEA010-1

Consignes de sécurité générales pour outils électriques

⚠ AVERTISSEMENT Veuillez lire toutes les mises en garde et toutes les instructions. Il y a risque de choc électrique, d'incendie et/ou de blessure grave si les mises en garde et les instructions ne sont pas respectées.

Conservez toutes les mises en garde et instructions pour référence ultérieure.

GEB093-1

CONSIGNES DE SÉCURITÉ POUR LA LAMELLEUSE SANS FIL

1. Les lames utilisées doivent être conçues pour être utilisées au moins à la vitesse indiquée sur l'outil. La lame, si elle tourne à une vitesse supérieure à la vitesse nominale, risquera de voler en éclats et de causer des blessures.

2. **Servez-vous toujours du carter de protection.** Le carter de protection protège l'utilisateur contre les éclats de lame cassée et permet d'éviter le contact accidentel avec la lame.
3. **Utilisez uniquement les lames spécifiées pour cet outil.**
4. **N'utilisez jamais l'outil sans que le couvercle de lame n'ait été refermé au préalable, et solidement verrouillé dans cette position.**
5. **Avant la mise en route, assurez-vous que la lame coulisse librement et sans entrave dans son logement.**
6. **Avant de l'utiliser, vérifiez soigneusement l'intégrité de la lame. Toutes lames voilées, ébréchées ou fendue doit être remplacée immédiatement.**
7. **Assurez-vous lors du montage que l'épaulement du flasque intérieur est compatible avec l'alésage de la lame que vous installez.**
8. **Faites un examen préalable des pièces de bois sur lesquelles vous allez travailler : retirez-en les clous et les vis qui pourraient s'y trouver.**
9. **Placez toujours les pièces sur un établi stable.**
10. **Immobilisez soigneusement les pièces (serre-joints, valet ou étau).**
11. **NE portez JAMAIS de gants au cours de l'utilisation.**
12. **Maintenez fermement l'outil des deux mains.**
13. **Prenez soin de n'approcher ni les mains ni aucune partie de votre corps de la zone de rainurage.**
14. **Il est recommandé de laisser l'outil tourner à vide durant quelques instants afin de déceler un balourd ou des vibrations qui proviendraient d'un mauvais montage de la lame.**

15. N'amenez jamais vos mains sous la pièce travaillée lorsque la lame tourne.
16. Ne laissez pas l'outil fonctionner sans surveillance.
17. Assurez-vous toujours que le contact est coupé et que la batterie est retirée avant d'effectuer des réglages ou de remplacer la lame.
18. Certains matériaux contiennent des produits chimiques qui peuvent être toxiques. Prenez les précautions nécessaires pour ne pas inhaler les poussières qu'ils dégagent et pour éviter tout contact avec la peau. Conformez-vous aux consignes de sécurité du fabricant.
19. N'utilisez pas les lames émoussées ou endommagées.
20. N'utilisez pas l'outil si ses protecteurs sont endommagés.

CONSERVEZ CES INSTRUCTIONS.

⚠ AVERTISSEMENT :

NE vous laissez PAS tromper (au fil d'une utilisation répétée) par un sentiment d'aisance et de familiarité avec le produit, en négligeant le respect rigoureux des consignes de sécurité qui accompagnent le produit en question. La MAUVAISE UTILISATION de l'outil ou l'ignorance des consignes de sécurité indiquées dans ce manuel d'instructions peut entraîner une blessure grave.

ENC007-8

IMPORTANTES CONSIGNES DE SÉCURITÉ

POUR LA BATTERIE

1. Avant d'utiliser la batterie, lisez toutes les instructions et précautions relatives (1) au chargeur de batterie, (2) à la batterie, et (3) à l'outil utilisant la batterie.
2. Ne démontez pas la batterie.
3. Si le temps de fonctionnement devient très court, cessez immédiatement l'utilisation. Autrement il y a risque de surchauffe, de brûlure, voire d'explosion.
4. Si de l'électrolyte pénètre dans vos yeux, rincez-les à l'eau claire et consultez immédiatement un médecin. Autrement il y a risque de blessure aux yeux.
5. Ne court-circuitez pas la batterie :
 - (1) Ne touchez les bornes avec aucun matériau conducteur.
 - (2) Évitez de ranger la batterie dans un conteneur avec d'autres objets métalliques, par exemple des clous, des pièces de monnaie, etc.
 - (3) N'exposez pas la batterie à l'eau ou à la pluie.

Un court-circuit de la batterie pourrait provoquer un fort courant, une surchauffe, parfois des brûlures et même une panne.

6. Ne rangez pas l'outil ou la batterie dans des endroits où la température risque d'atteindre ou de dépasser 50°C.
7. Ne jetez pas la batterie au feu même si elle est sérieusement endommagée ou complètement épuisée. La batterie peut exploser au contact du feu.

8. Prenez garde d'échapper ou de heurter la batterie.
9. N'utilisez pas une batterie abîmée.
10. La batterie doit être éliminée conformément aux réglementations locales en vigueur.

CONSERVEZ CES INSTRUCTIONS.

Conseils pour assurer la durée de vie optimale de la batterie

1. Rechargez la batterie avant qu'elle ne soit complètement déchargée. Arrêtez toujours l'outil et rechargez la batterie quand vous remarquez que la puissance de l'outil diminue.
2. Ne rechargez jamais une batterie complètement chargée. La surcharge réduit la durée de service de la batterie.
3. Chargez la batterie alors que la température de la pièce se trouve entre 10°C à 40°C. Avant de charger une batterie chaude, laissez-la refroidir.
4. Chargez la batterie tous les six mois si elle reste inutilisée pendant une période prolongée.

DESCRIPTION DU FONCTIONNEMENT

⚠ ATTENTION :

- Assurez-vous toujours que l'outil est hors tension et que sa batterie est retirée avant d'ajuster l'outil ou de vérifier son fonctionnement.

Pose ou retrait de la batterie (Fig. 1)

⚠ ATTENTION :

- Mettez toujours l'outil hors tension avant de poser ou de retirer la batterie.
- Lorsque vous posez ou retirez la batterie, tenez fermement l'outil et la batterie. Si vous ne tenez pas fermement l'outil et la batterie, ils risquent de s'abîmer en vous glissant des mains, et vous courez un risque de blessure corporelle.

Pour retirer la batterie, faites-la glisser hors de l'outil tout en faisant glisser le bouton qui se trouve à l'avant de la batterie.

Pour poser la batterie, alignez sa languette sur la rainure à l'intérieur du carter, et faites-la glisser en place. Insérez-la à fond, jusqu'à ce qu'elle se mette en place avec un léger déclic. Si vous pouvez voir l'indicateur rouge du côté supérieur du bouton, la batterie n'est pas complètement verrouillée.

⚠ ATTENTION :

- Insérez toujours la batterie à fond, jusqu'à ce que l'indicateur rouge ne soit plus visible. Sinon, elle pourrait tomber accidentellement de l'outil, au risque de vous blesser ou de blesser quelqu'un se trouvant près de vous.
- Ne forcez pas pour insérer la batterie. Si elle ne glisse pas facilement, c'est que vous ne l'insérez pas correctement.

Dispositif de protection de la batterie (Fig. 2)

L'outil est doté d'un dispositif de protection de la batterie. Ce dispositif coupe automatiquement l'alimentation de l'outil pour prolonger la durée de service de la batterie. Si l'outil ou la batterie se trouve dans l'une ou l'autre des situations suivantes, l'outil cessera automatiquement de fonctionner :

• **Surchargé :**

L'outil est utilisé de manière telle qu'il consomme un courant anormalement élevé.

Il faut mettre l'outil hors tension et arrêter l'application qui cause la surcharge. Remettez ensuite l'outil sous tension pour redémarrer.

Si l'outil ne démarre pas, cela signifie que la batterie est trop chaude. Il faut alors laisser refroidir la batterie avant de remettre l'outil sous tension.

• **Faible tension de la batterie :**

La charge restante de la batterie étant trop faible, l'outil ne fonctionne pas. Le cas échéant, retirez la batterie et rechargez-la.

NOTE :

- La protection contre la surchauffe ne fonctionne qu'avec une batterie portant une marque en forme d'étoile.

Voyant à fonctions multiples (Fig. 3)

Des voyants se trouvent en deux positions.

Si vous insérez la batterie dans l'outil alors que l'interrupteur à glissière se trouve en position "O (OFF)" (arrêt), le voyant clignote rapidement pendant environ une seconde. S'il ne clignote pas, la batterie ou le voyant est cassé.

– **Protection contre la surcharge**

- Le voyant s'allume lorsque l'outil est soumis à une surcharge. Le voyant s'éteint lorsque la charge de l'outil diminue.
- Si l'outil demeure soumis à une surcharge et que le voyant demeure allumé pendant environ deux secondes, l'outil s'arrête. Cela prévient l'endommagement du moteur et des pièces qui lui sont liées.
- Le cas échéant, redémarrez l'outil, déplacez l'interrupteur à glissière sur la position "O (OFF)" (arrêt) puis à nouveau sur la position "I (ON)" (marche).

– **Signal de remplacement de la batterie**

- Lorsque la charge de la batterie devient basse, le voyant s'allume plus tôt que lorsqu'elle est encore suffisante.

– **Fonction de prévention des redémarrages accidentels**

- Même si la batterie est insérée dans l'outil alors que l'interrupteur à glissière se trouve en position "I (ON)" (marche), l'outil ne démarre pas. Le voyant clignote alors lentement pour indiquer que la fonction de prévention des redémarrages accidentels est activée.
- Pour démarrer l'outil, glissez d'abord l'interrupteur à glissière vers la position "O (OFF)" (arrêt) puis glissez-le vers la position "I (ON)" (marche).

Réglage de la profondeur de la rainure (Fig. 4)

Il est possible de préréglager 6 profondeurs de rainurage suivant la taille de lamelle à utiliser.

Le tableau ci-dessous vous précise la correspondance entre le type de lamelle, la profondeur de rainurage et le repère correspondant. Il est possible d'affiner le réglage en jouant sur l'écrou hexagonal. Cela peut être nécessaire après avoir réaffûté la lame à quelques reprises.

Marquage sur la butée	0	10	20	S	D	MAX.
Type de lamelle	0	10	20	—	—	—
Profondeur de la rainure	8 mm	10 mm	12,3 mm	13 mm	14,7 mm	20 mm*

* Lorsque les crampons de caoutchouc sont retirés.

012681

Guide d'angle (Fig. 5 et 6)

Vous pouvez déplacer la hauteur du guide d'angle vers le haut et le bas pour ajuster la position de la lame par rapport à la face supérieure de la pièce à travailler.

Pour ajuster la hauteur du guide d'angle, desserrez le levier de verrouillage et tournez la molette jusqu'à ce que l'index pointe sur la graduation de l'échelle graduée désirée sur le guide d'angle.

Serrez ensuite le levier de verrouillage pour immobiliser le guide d'angle.

L'échelle graduée du guide d'angle indique la distance entre la face supérieure de la pièce et le plan médian de l'épaisseur de lame.

Le guide d'angle peut être retiré de la plaque frontale selon les besoins de la tâche. Pour retirer le guide d'angle, desserrez le levier de verrouillage et tournez la molette dans le sens horaire jusqu'à ce qu'il sorte de l'extrémité supérieure de la plaque frontale.

Plaque frontale (Fig. 7 et 8)

NOTE :

- Retirez le guide d'angle selon les besoins de la tâche lorsque vous utilisez l'outil avec l'angle de la plaque frontale ajusté à un autre repère que 0°. Si vous devez utiliser le guide d'angle dans les conditions ci-dessus, veillez à ajuster la profondeur de la rainure pour obtenir une profondeur adéquate.

Son angle est réglable de 0° à 90° (avec calage sur les valeurs 0°, 45° et 90°). Pour effectuer le réglage de l'angle, commencez par desserrer le levier de verrouillage, puis basculez la plaque frontale jusqu'à la valeur d'angle désirée. Resserrez ensuite le levier de verrouillage. Lorsque la plaque frontale est complètement abaissée (90°), la distance qui la sépare du plan de la lame (à sa demi-épaisseur) est de 10 mm.

Plaque de surépaisseur (Fig. 9 et 10)

Utilisez la plaque surépaisseur comme indiqué dans Fig. 9 et 10 si vous devez entailler des pièces de faible épaisseur.

Interrupteur (Fig. 11)

⚠ ATTENTION :

- Avant d'installer la batterie dans l'outil, vérifiez toujours que la gâchette à glissière fonctionne bien et revient en position "OFF" (arrêt) lorsque vous enfoncez sa partie arrière.
- L'interrupteur peut être verrouillé sur la position "ON" (marche) pour améliorer le confort de l'utilisateur pendant une utilisation prolongée. Soyez prudent lorsque vous verrouillez l'outil sur la position "ON" (marche) et tenez-le fermement.

Pour mettre l'outil en marche, faites glisser l'interrupteur à glissière vers la position "I (ON)" (marche). Pour une utilisation continue, appuyez sur la partie avant de l'interrupteur à glissière pour le verrouiller. Pour arrêter l'outil, appuyez sur la partie arrière de l'interrupteur à glissière, puis faites-le glisser vers la position "O (OFF)" (arrêt).

ASSEMBLAGE

⚠ ATTENTION :

• Assurez-vous toujours que l'outil est hors tension et que la batterie est retirée avant d'effectuer toute intervention sur l'outil.

Pose et dépose de la lame (Fig. 12)

⚠ ATTENTION :

• Pour installer la lame de tourillonuse, montez le flasque intérieur en orientant sa face marquée "22" vers vous.

Pour enlever la lame, commencez par ouvrir le couvercle en desserrant sa vis de fermeture, puis poussez le blocage de l'arbre et desserrez le flasque extérieur au moyen de la clé à contre-écrou. Pour installer la lame, commencez par mettre en place le flasque intérieur. Placez ensuite la lame, puis le flasque extérieur. Serrez ce dernier énergiquement au moyen de la clé à contre-écrou. Rabattez le couvercle de lame et bloquez-le en serrant sa vis.

⚠ ATTENTION :

• Pour poser ou retirer la lame, utilisez uniquement la clé à contre-écrou Makita fournie.
• Après avoir remplacé la lame, vérifiez toujours la profondeur de la rainure. Si nécessaire, réajustez-la.

Sac à poussières (Fig. 13)

Pour fixer le sac à poussières, insérez-le dans le raccord à poussières. Si le sac à poussières nuit à l'exécution de votre travail, tournez le raccord à poussières pour changer la position du sac.

Lorsque le sac à poussières est environ à moitié plein, coupez le contact et retirez la batterie. Retirez le sac à poussières de l'outil et ouvrez la fermeture à glissière du sac. Videz le sac en tapant légèrement dessus pour retirer le plus de poussières possible.

NOTE :

• Vous pouvez effectuer un travail plus efficace et plus propre en raccordant un aspirateur Makita à votre tourillonuse.

UTILISATION

Comment réaliser des assemblages

⚠ AVERTISSEMENT :

• Fixez toujours la pièce sur l'établi avant chaque opération. (Fig. 14 et 15)

Assemblage d'angle à plat (Fig. 16, 17 et 18)

Assemblage en T (Fig. 19, 20 et 21)

Assemblage à onglet (Fig. 22 et 23)

Assemblage de cadre (Fig. 24 et 25)

Assemblage de panneaux (Fig. 26 et 27)

Pour réaliser des assemblages, procédez comme suit :

1. Présentez les deux pièces dans la position qui sera la leur une fois l'assemblage réalisé.

2. Faites une marque à l'emplacement du milieu de la rainure à réaliser.

NOTE :

• Le centre d'une rainure doit être au moins à 50 mm du bord extérieur des pièces.
• Laissez 100 mm – 150 mm entre chaque rainure dans un assemblage comportant une suite de lamelles.

3. Pour assemblage d'angle à plat, en T uniquement

Fixez la pièce verticale sur l'établi.

Pour assemblage à onglet uniquement

Fixez une pièce sur l'établi avec le bord en onglet orienté vers le haut.

Pour assemblage de cadre et panneaux uniquement

Fixez sur l'établi l'une quelconque des deux pièces.

4. Réglez la profondeur de la rainure suivant la taille de lamelle à utiliser. Référez-vous au tableau de la section "Réglage de la profondeur de la rainure".

5. Ajustez la hauteur de guide d'angle de façon à ce que la lame soit centrée dans l'épaisseur de la planche.

6. Alignez l'outil faite sur la pièce avec la ligne axiale du guide d'angle.

7. Mettez la machine sous tension et poussez-la doucement vers l'avant pour faire pénétrer la lame.

8. Ramener doucement l'outil à la position de départ après que la vis de réglage ait atteint la butée.

9. Pour assemblage d'angle à plat, en T uniquement

Fixez maintenant la pièce horizontale sur l'établi.

Pour assemblage à onglet uniquement

Fixez l'autre pièce sur l'établi avec le bord en onglet orienté vers le haut.

Pour assemblage de cadre et panneaux uniquement

Fixez l'autre pièce sur l'établi.

10. Pour assemblage d'angle à plat uniquement

Placez l'outil sur la pièce de façon à ce que la lame soit tournée vers le bas.

Pour assemblage en T uniquement

Enlevez le guide d'angle de l'outil. Placez l'outil sur la pièce de façon à ce que la lame soit tournée vers le bas.

11. Répétez les étapes 6 – 8 pour creuser une rainure dans la pièce horizontale ou dans l'autre pièce.

Si vous n'avez pas besoin de centrer la lame dans l'épaisseur de la planche, procédez comme suit :

Pour assemblages d'angle à plat, à onglet, de cadre et panneaux uniquement

• Enlevez le guide d'angle de la machine. Réglez la plaque frontale à 90° pour assemblages d'angle à plat et de cadre et panneaux ou 45° pour assemblage à onglet selon le type d'assemblage concerné.

• Suivez les étapes 1 – 11 sauf les étapes 5 et 10 décrites ci-dessus.

Pour assemblage en T uniquement

• Présentez les deux pièces dans la position qui sera la leur une fois l'assemblage réalisé.

• Disposez la pièce verticale sur la pièce horizontale. Fixez les deux pièces à l'établi.

• Enlevez le guide d'angle de l'outil.

• Suivez les étapes 2, 4, 6, 7, 8 et 11 décrites ci-dessus.

ENTRETIEN

ATTENTION :

- Assurez-vous toujours que l'outil est hors tension et que la batterie est retirée avant d'y effectuer tout travail d'inspection ou d'entretien.
- N'utilisez jamais d'essence, benzine, diluant, alcool ou autre produit similaire. Cela risquerait de provoquer la décoloration, la déformation ou la fissuration de l'outil.

L'outil et ses orifices d'aération doivent être conservés propres. Nettoyez régulièrement les orifices d'aération de l'outil ou dès qu'ils sont obstrués. (Fig. 28)

Remplacement des charbons

Retirez et vérifiez les charbons régulièrement. Remplacez-les lorsqu'ils atteignent la marque de limite. Gardez les charbons propres et libres de glisser dans les porte-charbons. Il faut remplacer les deux charbons en même temps. Utilisez uniquement des charbons identiques. (Fig. 29)

Insérez le bout d'un tournevis à tête fendue dans l'entaille de l'outil et retirez le cache du bouchon de porte-charbon en le soulevant. (Fig. 30)

Retirez les bouchons de porte-charbon à l'aide d'un tournevis. Enlevez les charbons usés, insérez les neufs et remettez en place les bouchons de porte-charbon. (Fig. 31)

Remettez le cache de bouchon de porte-charbon en place sur l'outil.

Pour assurer la SÉCURITÉ et la FIABILITÉ du produit, toute réparation et tout travail d'entretien ou de réglage doivent être effectués par un Centre de service après-vente agréé Makita, avec des pièces de rechange Makita.

ACCESSOIRES EN OPTION

ATTENTION :

- Ces accessoires ou pièces complémentaires sont recommandés pour l'utilisation avec l'outil Makita spécifié dans ce mode d'emploi. L'utilisation de tout autre accessoire ou pièce peut comporter un risque de blessure. N'utilisez les accessoires ou pièces qu'aux fins mentionnées dans le présent mode d'emploi.

Si vous désirez obtenir plus de détails concernant ces accessoires, veuillez contacter le centre de service après-vente Makita le plus près.

- Guide d'angle
- Sac à poussières
- Plaque de surépaisseur
- Clé à contre-écrou
- Lames de tourillonuse
- Batterie et chargeur Makita authentiques

NOTE :

- Il se peut que certains éléments de la liste soient compris dans l'emballage de l'outil en tant qu'accessoires standard. Ils peuvent varier d'un pays à l'autre.

ENG905-1

Bruit

Niveau de bruit pondéré A typique, déterminé selon EN60745 :

Modèle DPJ140

Niveau de pression sonore (L_{pA}) : 73 dB (A)
Incertitude (K) : 3 dB (A)

Le niveau de bruit en fonctionnement peut dépasser 80 dB (A).

Modèle DPJ180

Niveau de pression sonore (L_{pA}) : 74 dB (A)
Incertitude (K) : 3 dB (A)

Le niveau de bruit en fonctionnement peut dépasser 80 dB (A).

Porter des protecteurs anti-bruit

ENG900-1

Vibrations

Valeur totale de vibrations (somme de vecteur triaxial) déterminée selon EN60745 :

Mode de travail : rainurage dans le MDF

Émission de vibrations (a_{h1}) : 2,5 m/s² ou moins

Incertitude (K) : 1,5 m/s²

ENG901-1

- La valeur d'émission de vibrations déclarée a été mesurée conformément à la méthode de test standard et peut être utilisée pour comparer les outils entre eux.
- La valeur d'émission de vibrations déclarée peut aussi être utilisée pour l'évaluation préliminaire de l'exposition.

AVERTISSEMENT :

- L'émission de vibrations lors de l'usage réel de l'outil électrique peut être différente de la valeur d'émission déclarée, suivant la façon dont l'outil est utilisé.
- Les mesures de sécurité à prendre pour protéger l'utilisateur doivent être basées sur une estimation de l'exposition dans des conditions réelles d'utilisation (en tenant compte de toutes les composantes du cycle d'utilisation, comme par exemple le moment de sa mise hors tension, lorsqu'il tourne à vide et le moment de son déclenchement).

DÉCLARATION DE CONFORMITÉ CE

Pour les pays européens uniquement

La déclaration de conformité CE est fournie en Annexe A à ce mode d'emploi.

Übersicht

1 Taste	14 Anziehen	27 Spannflansch
2 Rote Anzeige	15 Lösen	28 Klemmschraube
3 Akkublock	16 Ab	29 Spindelarretierung
4 Sternsymbol	17 Auf	30 Staubsack
5 Anzeigenleuchte	18 Fräsmittellinie	31 Verschlusschiene
6 Markierungspfeil	19 Schwenkansschlag	32 Absaugstutzen
7 Revolvertiefenanschlag	20 Winkelskala	33 Auslassöffnung
8 Einstellschraube	21 Grundplatte (schwenkbar)	34 Einlassöffnung
9 Gummidorn	22 Vorsteckplatte	35 Verschleißgrenze
10 Spannhebel	23 Stärke der Vorsteckplatte	36 Halterkappenabdeckung
11 Winkelschlag	24 Schiebeschalter	37 Schraubendreher
12 Knopf	25 Flanschmutter	38 Bürstenhalterkappe
13 Skala	26 Nutfräsenmesser	

TECHNISCHE DATEN

Modell	DPJ140	DPJ180
Messertyp	Nutfräse	
Max. Nuttiefe	20 mm	
Leerlaufdrehzahl (min ⁻¹)	6 500	
Gesamtlänge	351 mm	
Gewicht	3,0 kg	
Nennspannung	Gleichspannung 14,4 V	Gleichspannung 18 V

- Wir behalten uns vor, Änderungen im Zuge der Entwicklung und des technischen Fortschritts ohne vorherige Ankündigung vorzunehmen.
- Die technischen Daten und der Akku können von Land zu Land unterschiedlich sein.
- Gewicht mit Akku nach EPTA-Verfahren 01/2003

ENE013-1

Vorgesehene Verwendung

Diese Maschine dient zum Fräsen halbmondförmiger Nuten durch Eintauchschnitt für das Einsetzen von Holzverbindern.

GEA010-1

Allgemeine Sicherheitswarnungen für Elektrowerkzeuge

⚠️ WARNUNG Lesen Sie alle Sicherheitswarnungen und Anweisungen durch. Eine Missachtung der unten aufgeführten Warnungen und Anweisungen kann zu einem elektrischen Schlag, Brand und/oder schweren Verletzungen führen.

Bewahren Sie alle Warnungen und Anweisungen für spätere Bezugnahme auf.

GEB093-1

SICHERHEITSWARNUNGEN FÜR AKKU-NUTFRÄSE

1. Die Messer müssen mindestens für die an der Maschine empfohlene Drehzahl zugelassen sein. Bei einer Überschreitung der Nenndrehzahl können die Schneidblätter herausgeschleudert werden und Verletzungen verursachen.

2. **Verwenden Sie stets die Schutzhaube.** Die Schutzhaube schützt den Benutzer vor herausgeschleuderten Schneidblattbruchstücken und unbeabsichtigtem Kontakt mit dem Schneidblatt.
3. **Für diese Maschinen nur die von Makita freigegebenen Kreissägeblätter bzw. Nutfräser verwenden.**
4. **Die Nutfräse nicht verwenden, wenn das Schneidwerkzeug arretiert ist oder sich die schwenkbare Grundplatte nicht in der ordnungsgemäßen Position befindet.**
5. **Vor der Arbeit prüfen, ob sich das Schneidwerkzeug leichtgängig von Hand drehen läßt.**
6. **Das Schneidwerkzeug vor der Arbeit auf Risse oder Beschädigung untersuchen. Defekte Schneidblätter sofort ersetzen.**
7. **Beim Einbau des Schneidwerkzeugs achten Sie auf Übereinstimmung von Flanschbohrung und Befestigungsbohrung.**
8. **Entfernen Sie vor Arbeitsbeginn sämtliche Fremdstoffe wie Schrauben/Nägels etc. von Ihrem Arbeitsplatz.**
9. **Die zu bearbeitenden Werkstücke grundsätzlich auf eine stabile Werkbank legen.**
10. **Sichern Sie die Werkstücke gut mit einer Schraubzwinge oder in einem Schraubstock.**
11. **Tragen Sie bei der Arbeit KEINE Handschuhe.**
12. **Halten Sie die Nutfräse mit beiden Händen fest.**
13. **Halten Sie Hände und Körper vom Nutfräsereich fern.**

14. Vor dem Bearbeitungsvorgang muss der einwandfreie Lauf des Schneidwerkzeugs überprüft werden. Dazu schalten Sie die Maschine ein und achten auf eventuelle Vibrationen oder Taumelbewegungen des Schneidwerkzeugs. Ursachen dafür können falsche Schneidwerkzeugmontage oder Unwucht des Schneidwerkzeugs sein.
15. Bei rotierendem Schneidwerkzeug auf keinen Fall mit den Händen unter die Werkstücke fassen.
16. Die Maschine nicht unbeaufsichtigt laufen lassen.
17. Vergewissern Sie sich vor der Durchführung von Einstellungen oder dem Auswechseln des Messers stets, dass die Maschine ausgeschaltet und der Akku abgenommen ist.
18. Manche Materialien können giftige Chemikalien enthalten. Treffen Sie Vorsichtsmaßnahmen, um das Einatmen von Arbeitsstaub und Hautkontakt zu verhüten. Befolgen Sie die Sicherheitsdaten des Materialherstellers.
19. Verwenden Sie keine stumpfen oder beschädigten Schneidblätter.
20. Benutzen Sie die Maschine nicht mit beschädigten Schutzvorrichtungen.

BEWAHREN SIE DIESE HINWEISE SORGFÄLTIG AUF.

⚠️ WARNUNG:

Lassen Sie sich NICHT durch Bequemlichkeit oder Vertrautheit mit dem Produkt (durch wiederholten Gebrauch erworben) von der strikten Einhaltung der Sicherheitsregeln für das vorliegende Produkt abhalten. MISSBRAUCH oder Missachtung der Sicherheitsvorschriften in dieser Anleitung können schwere Verletzungen verursachen.

ENC007-8

WICHTIGE SICHERHEITSVORSCHRIFTEN FÜR AKKU

1. Lesen Sie vor der Benutzung des Akkus alle Anweisungen und Warnhinweise, die an (1) Ladegerät, (2) Akku und (3) Akkuwerkzeug angebracht sind.
2. Unterlassen Sie ein Zerlegen des Akkus.
3. Falls die Betriebszeit beträchtlich kürzer geworden ist, stellen Sie den Betrieb sofort ein. Andernfalls besteht die Gefahr von Überhitzung, möglichen Verbrennungen und sogar einer Explosion.
4. Falls Elektrolyt in Ihre Augen gelangt, waschen Sie sie mit sauberem Wasser aus, und begeben Sie sich unverzüglich in ärztliche Behandlung. Andernfalls können Sie Ihre Sehkraft verlieren.
5. Der Akku darf nicht kurzgeschlossen werden:
 - (1) Die Kontakte dürfen nicht mit leitfähigem Material berührt werden.
 - (2) Lagern Sie den Akku nicht in einem Behälter zusammen mit anderen Metallgegenständen, wie z.B. Nägel, Münzen usw.
 - (3) Setzen Sie den Akku weder Wasser noch Regen aus.
 Ein Kurzschluss des Akkus verursacht starken Stromfluss, der Überhitzung, Verbrennungen und einen Defekt zur Folge haben kann.

6. Lagern Sie Maschine und Akku nicht an Orten, an denen die Temperatur 50°C erreichen oder überschreiten kann.
7. Versuchen Sie niemals, den Akku zu verbrennen, selbst wenn er stark beschädigt oder vollkommen verbraucht ist. Der Akku kann im Feuer explodieren.
8. Achten Sie darauf, dass der Akku nicht fallen gelassen oder Stößen ausgesetzt wird.
9. Benutzen Sie keine beschädigten Akkus.
10. Befolgen Sie die örtlichen Bestimmungen bezüglich der Entsorgung von Akkus.

BEWAHREN SIE DIESE HINWEISE SORGFÄLTIG AUF.

Hinweise zur Aufrechterhaltung der maximalen Akku-Nutzungsdauer

1. Laden Sie den Akku, bevor er vollkommen erschöpft ist. Schalten Sie die Maschine stets aus, und laden Sie den Akku, wenn Sie ein Nachlassen der Maschinenleistung feststellen.
2. Unterlassen Sie das erneute Laden eines voll aufgeladenen Akkus. Überladen führt zu einer Verkürzung der Nutzungsdauer des Akkus.
3. Laden Sie den Akku bei Raumtemperatur zwischen 10°C – 40°C. Lassen Sie einen heißen Akku abkühlen, bevor Sie ihn laden.
4. Laden Sie den Akku bei längerer Nichtbenutzung alle sechs Monate nach.

FUNKTIONSBESCHREIBUNG

⚠️ VORSICHT:

- Schalten Sie das Werkzeug stets aus und entfernen Sie den Akkublock, bevor Sie Einstellungen oder eine Funktionsprüfung des Werkzeugs vornehmen.

Anbringen und Abnehmen des Akkus (Abb. 1)

⚠️ VORSICHT:

- Schalten Sie stets die Maschine aus, bevor Sie den Akku anbringen oder abnehmen.
- Halten Sie Maschine und Akku beim Anbringen oder Abnehmen des Akkus sicher fest. Wenn Sie Maschine und Akku nicht sicher festhalten, können sie Ihnen aus der Hand rutschen, was zu einer Beschädigung der Maschine und des Akkus und zu Körperverletzungen führen kann.

Ziehen Sie den Akku zum Abnehmen von der Maschine ab, während Sie den Knopf an der Vorderseite des Akkus verschieben.

Richten Sie zum Anbringen des Akkus dessen Führungsfeder auf die Nut im Gehäuse aus, und schieben Sie den Akku hinein. Schieben Sie ihn vollständig ein, bis er mit einem hörbaren Klicken einrastet. Falls die rote Anzeige an der Oberseite des Knopfes sichtbar ist, ist der Akku-Adapter nicht vollständig verriegelt.

⚠️ VORSICHT:

- Schieben Sie den Akku stets bis zum Anschlag ein, bis die rote Anzeige nicht mehr sichtbar ist. Andernfalls kann er aus der Maschine herausfallen und Sie oder umstehende Personen verletzen.
- Unterlassen Sie Gewaltanwendung beim Anbringen des Akkus. Falls der Akku nicht reibungslos hineingleitet, ist er nicht richtig ausgerichtet.

Akku-Schutzsystem (Abb. 2)

Die Maschine ist mit einem Akku-Schutzsystem ausgestattet. Dieses System schaltet die Stromversorgung des Motors automatisch ab, um die Akku-Lebensdauer zu verlängern.

Die Maschine schaltet sich während des Betriebs automatisch ab, wenn Maschine und/oder Akku einer der folgenden Bedingungen unterliegen:

- **Überlastung:**

Die Maschine wird auf eine Weise benutzt, die eine ungewöhnlich hohe Stromaufnahme bewirkt.

Schalten Sie in dieser Situation die Maschine aus, und brechen Sie die Anwendung ab, die eine Überlastung der Maschine verursacht hat. Schalten Sie dann die Maschine wieder ein, um sie neu zu starten.

Falls die Maschine nicht startet, ist der Akku überhitzt. Lassen Sie den Akku in dieser Situation abkühlen, bevor Sie die Maschine wieder einschalten.

- **Niedrige Akkuspannung:**

Die Akku-Restkapazität ist zu niedrig, und die Maschine funktioniert nicht. Nehmen Sie in dieser Situation den Akku ab, und laden Sie ihn auf.

HINWEIS:

- Der Überhitzungsschutz funktioniert nur mit einem Akku mit Sternsymbol.

Kombinationsanzeigenleuchte (Abb. 3)

Die Anzeigenleuchte befinden sich an zwei Stellen.

Wenn der Akkublock in das Werkzeug eingesetzt wird und der Schiebeschalter auf der "OFF" (aus)-Stellung steht, leuchtet die Anzeigenleuchte etwa eine Sekunde lang kurz auf. Ist dies nicht der Fall, ist entweder der Akkublock oder die Anzeigenleuchte beschädigt.

– Überlastungsschutz

- Bei einer Überlastung des Werkzeugs leuchtet die Anzeigenleuchte auf. Sobald die Werkzeuglast verringert wird, erlischt die Anzeige.
- Wenn das Werkzeug weiterhin überlastet wird und die Anzeigenleuchte etwa zwei Sekunden lang leuchtet, wird das Werkzeug angehalten. Auf diese Weise wird eine Beschädigung des Motors sowie der zugehörigen Teile verhindert.
- Stellen Sie in diesem Fall den Schiebeschalter zum Neustart des Werkzeugs einmal in der "O (OFF)" (aus)-Stellung und dann wieder in der "I (ON)" (ein)-Stellung.

– Warnsignal für erforderlichen Akku-Austausch

- Wenn die Restladung des Akkus nur noch gering ist, leuchtet die Anzeigenleuchte während des Betriebs mit dem Akku frühzeitig auf.

– Funktion zur Vermeidung eines versehentlichen Neustarts

- Selbst wenn sich der Schiebeschalter auf der "ON" (ein)-Stellung befindet und der Akkublock eingesetzt wurde, wird das Werkzeug nicht gestartet. Dabei flackert die Anzeigenleuchte langsam, was bedeutet, dass die Funktion zur Vermeidung eines versehentlichen Neustarts aktiv ist.
- Schieben Sie zum Start des Werkzeugs zunächst den Schiebeschalter in der "OFF" (aus)-Stellung und anschließend in der "ON" (ein)-Stellung.

Einstellen der Nuttiefe (Abb. 4)

Sechs Nuttiefen können entsprechend der Größe des zu verwendenden Holzverbinders.

Die nachstehende Tabelle zeigt, welche Markierung bei welcher Holzverbindergröße und welche gewünschte Frästiefe eingestellt werden muss. Eine Feineinstellung der gewünschten Nuttiefe ist durch Drehen der Einstellschraube nach dem Lösen der Sechskantmutter möglich. Dies kann notwendig werden, wenn das Schneidblatt einige Male nachgeschärft worden ist.

Markierung	0	10	20	S	D	MAX.
Größe des Holzverbinders	0	10	20	—	—	—
Nuttiefe	8 mm	10 mm	12,3 mm	13 mm	14,7 mm	20 mm*

* Mit entfernten Gummidornen.

012681

Winkelanschlag (Abb. 5 u. 6)

Die Höhe der Winkelführung kann verstellt werden, um die Position des Messers in Bezug auf die Werkstückoberseite einzustellen.

Zum Einstellen der Winkelanschlaghöhe den Spannhebel durch Absenken lösen und den Knopf drehen, bis der Zeiger auf den gewünschten Skalenstrich am Winkelanschlag zeigt.

Dann den Verriegelungshebel durch Anheben festziehen, um die Winkelführung zu sichern. Die Skala zeigt das Maß zwischen Winkelanschlag und Mitte des Schneidwerkzeugs.

Die Winkelführung kann je nach den Arbeitsanforderungen vom Anschlag abgenommen werden. Zum Entfernen der Winkelführung den Verriegelungshebel lösen, und den Knopf im Uhrzeigersinn drehen, bis er aus dem oberen Ende des Anschlags herauskommt.

Schwenkansschlag (Abb. 7 u. 8)

HINWEIS:

- Entfernen Sie die Winkelführung je nach Ihren Arbeitsanforderungen, wenn Sie die Maschine mit einer anderen Winkelseinstellung des Anschlags als 0° benutzen. Wenn Sie die Winkelführung unter der obigen Bedingung benutzen müssen, stellen Sie die Nuttiefe auf einen geeigneten Wert ein.

Der Schwenkansschlag kann zwischen 0° und 90° (Rastung bei 0°, 45° und 90°) eingestellt werden. Zur Einstellung des Winkels den Spannhebel lösen und den Schwenkansschlag kippen, bis der Markierungspfeil mit dem gewünschten Winkel auf der Winkelskala übereinstimmt. Dann den Spannhebel festziehen, um den Schwenkansschlag zu sichern. In 90°-Stellung beträgt der Abstand zwischen Grundplatte-Schneidwerkzeugmitte und Anschlagführung-Schneidwerkzeugmitte jeweils 10 mm.

Vorsteckplatte (Abb. 9 u. 10)

Die Vorsteckplatte gemäß der Darstellung in **Abb. 9 u. 10** beim Schneiden von Langlöchern in dünnen Werkstücken verwenden.

Schalterfunktion (Abb. 11)

⚠ VORSICHT:

- Anbringen Sie vor dem Einsetzen des Akkublocks in das Werkzeug darauf, dass sich der Schiebeschalter korrekt bedienen lässt und auf der "OFF" (aus)-Stellung zurückkehrt, sobald das hintere Ende des Schiebeschalters nach unten gedrückt wird.
- Der Schalter kann zur Arbeitserleichterung bei längerem Einsatz in der "ON" (ein)-Stellung verriegelt werden. Lassen Sie Vorsicht walten, wenn Sie den Schalter in der "ON" (ein)-Stellung verriegeln, und halten Sie die Maschine mit festem Griff.

Zum Einschalten der Maschine den Schalter auf der "ON" (ein)-Stellung schieben. Für Dauerbetrieb den Schalter durch Drücken seiner Vorderseite einrasten.

Zum Ausschalten der Maschine die Rückseite des Schiebeschalters drücken, und dann den Schalter auf der "OFF" (aus)-Stellung schieben.

MONTAGE

⚠ VORSICHT:

- Schalten Sie das Werkzeug stets aus, und entfernen Sie den Akkublock, bevor Sie Arbeiten am Werkzeug ausführen.

Schneidwerkzeug aus- und einbauen (Abb. 12)

⚠ VORSICHT:

- Beim Einbau des Nutfräsers den Spannflansch so montieren, dass die mit "22" markierte Seite zu Ihnen zeigt.

Zum Ausbauen des Schneidwerkzeugs die Klemmschraube lösen und die schwenkbare Grundplatte öffnen. Die Spindelarreterierung drücken und die Flanschmutter mit dem Stirnlochschlüssel lösen. Zum Einsetzen des Schneidwerkzeugs zuerst den Spannflansch anbringen.

Anschließend das Schneidwerkzeug sowie die Flanschmutter montieren und mit dem Stirnlochschlüssel gut festziehen. Schließen Sie die schwenkbare Grundplatte und sichern Sie diese durch Festziehen der Klemmschraube.

⚠ VORSICHT:

- Verwenden Sie nur den mitgelieferten Makita-Sicherungs-mutterschlüssel zum Montieren und Demontieren des Schneidblatts.
- Überprüfen Sie nach dem Auswechseln des Messers stets die Nuttiefe, und nehmen Sie nötigenfalls eine Neueinstellung vor.

Staubsaack (Abb. 13)

Zum Anbringen wird der Staubsaack auf den Absaugstutzen geschoben. Falls der Staubsaack bei der Arbeit hinderlich wird, die Position des Staubsaacks durch Drehen des Absaugstutzens ändern.

Wenn der Staubsaack etwa halb voll ist, die Maschine ausschalten und den Akku abnehmen. Den Staubsaack von der Maschine abnehmen, und den Verschluss des Staubsaacks herausziehen. Den Staubsaack durch leichtes Klopfen entleeren, um möglichst viel Staub zu entfernen.

HINWEIS:

- Wenn Sie einen Makita-Staubsauger an Ihre Nutfräse anschließen, können Sie noch effizienter und sauberer arbeiten.

BETRIEB

Herstellung von Holzverbindungen

⚠ WARNUNG:

- Klemmen Sie das Werkstück vor jeder Arbeit stets an der Werkbank fest. (Abb. 14 u. 15)

Eckverbindung (Abb. 16, 17 u. 18)

Mittelwandverbindung (Abb. 19, 20 u. 21)

Gehrungsverbindung (Abb. 22 u. 23)

Rahmenverbindung (Abb. 24 u. 25)

Längs- und Querverbindung (Abb. 26 u. 27)

Zur Herstellung von Holzverbindungen gehen Sie folgendermaßen vor:

1. Die beiden Werkstücke probeweise zusammenpassen.
2. Die Mitte der gewünschten Fräsnuten mit einem Bleistift am Werkstück anzeichnen.

HINWEIS:

- Die Nutmitte muss mindestens 50 mm von der Werkstückaußenkante verlaufen.
- Bei mehreren Holzverbindungen 100 mm – 150 mm Nutabstand halten.

3. Nur bei Eckverbindung und Mittelwandverbindung

Das senkrechte Werkstück an der Werkbank festklemmen.

Nur bei Gehrungsverbindungen

Ein Werkstück mit der angekehrten Kante nach oben auf die Werkbank spannen.

Nur bei Rahmenverbindungen und Längs- und Querverbindungen

Ein Werkstück an der Werkbank festklemmen.

4. Stellen Sie die Nuttiefe entsprechend der Größe des zu verwendenden Flachdübels ein. Siehe die Tabelle im Abschnitt "Einstellen der Nuttiefe".
5. Den Winkelanschlag auf Schneidwerkzeug- und Werkstückmitte einstellen.
6. Die Mittelmarkierung an der Grundplatte auf den Bleistiftstrich des Werkstücks ausrichten.
7. Das Gerät einschalten und mit mäßigem Vorschub das Schneidwerkzeug in das Werkstück eintauchen.
8. Nach Erreichen der voreingestellten Frästiefe das Gerät vorsichtig wieder in die Ausgangsposition zurückfahren.
9. Nur bei Eckverbindung und Mittelwandverbindung
Das waagerechte Werkstück an der Werkbank festklemmen.
Nur bei Gehrungsverbindung
Das andere Werkstück mit der angekehrten Kante nach oben auf die Werkbank spannen.
Nur bei Rahmenverbindung und Längs- und Querverbindung
Ein Werkstück an der Werkbank festklemmen.
10. Nur bei Eckverbindung
Die Nutfräse so am Werkstück ansetzen, dass das Schneidwerkzeug nach unten weist.
Nur bei Mittelwandverbindung
Den Winkelanschlag von der Nutfräse abbauen. Die Nutfräse so am Werkstück ansetzen, dass das Schneidwerkzeug nach unten weist.
11. Wiederholen Sie die Schritte 6 – 8, um Nuten horizontal oder in ein anderes Werkstück zu fräsen.

Wenn das Schneidwerkzeug nicht auf die Werkstückmitte eingestellt werden soll, gehen Sie wie folgt vor:

Nur bei Eckverbindung, Gehrungsverbindung, Rahmenverbindung und Längs- und Querverbindung

- Den Winkelanschlag von der Nutfräse abbauen. Den Schwenkansschlag auf 90° bei Eckverbindung, Rahmenverbindung und Längs- und Querverbindung bzw. auf 45° bei Gehrungsverbindung einstellen.
- Die Schritte 1 – 11 mit Ausnahme der Schritte 5 und 10 ausführen.

Nur bei Mittelwandverbindung

- Die beiden Werkstücke probeweise zusammenpassen.
- Das senkrechte Werkstück auf das waagerechte Werkstück stellen. Beide Werkstücke an der Werkbank festklemmen.
- Den Winkelanschlag von der Nutfräse abbauen.
- Die Schritte 2, 4, 6, 7, 8 und 11 ausführen.

WARTUNG

VORSICHT:

- Schalten Sie das Werkzeug stets aus und entfernen Sie den Akkublock, bevor Sie Inspektionen oder Wartungsarbeiten am Werkzeug vornehmen.
- Verwenden Sie auf keinen Fall Benzin, Benzol, Verdünnern, Alkohol oder dergleichen. Solche Mittel können Verfärbung, Verformung oder Rissbildung verursachen.

Halten Sie die Maschine und ihre Ventilationsöffnungen stets sauber. Reinigen Sie die Ventilationsöffnungen der Maschine regelmäßig oder im Anfangsstadium einer Verstopfung. (Abb. 28)

Austausch der Kohlebürsten

Entfernen und überprüfen Sie die Kohlebürsten in regelmäßigen Abständen. Ersetzen Sie diese, wenn sie bis zur Verschleißgrenze abgenutzt sind. Halten Sie die Kohlebürsten sauber und sorgen Sie dafür, dass sie locker in den Halterungen liegen. Beide Kohlebürsten sollten gleichzeitig ersetzt werden. Verwenden Sie nur identische Kohlebürsten. (Abb. 29)

Setzen Sie das obere Ende des Schlitzschraubendrehers in die Kerbe am Werkzeug, und entfernen Sie die Abdeckung der Halterkappe, indem Sie diese anheben. (Abb. 30)

Verwenden Sie einen Schraubendreher, um die Bürstenhalterkappen zu entfernen. Entnehmen Sie die verbrauchten Kohlebürsten, legen Sie die neuen ein und bringen Sie die Bürstenhalterkappen wieder fest an. (Abb. 31)

Befestigen Sie die Abdeckung der Halterkappe wieder am Gerät.

Um die SICHERHEIT und ZUVERLÄSSIGKEIT des Produkts zu gewährleisten, sollten Reparaturen, Wartungsarbeiten und Einstellungen nur durch von Makita autorisierte Servicecenter durchgeführt und immer Makita-Ersatzteile verwendet werden.

SONDERZUBEHÖR

VORSICHT:

- Die folgenden Zubehörteile oder Vorrichtungen werden für den Einsatz mit der in dieser Anleitung beschriebenen Makita-Maschine empfohlen. Die Verwendung anderer Zubehörteile oder Vorrichtungen kann eine Verletzungsgefahr darstellen. Verwenden Sie Zubehörteile oder Vorrichtungen nur für ihren vorgesehenen Zweck.

Wenn Sie weitere Einzelheiten bezüglich dieser Zubehörteile benötigen, wenden Sie sich bitte an Ihre Makita-Kundendienststelle.

- Winkelanschlag
- Staubsack
- Vorsteckplatte
- Sicherungsmutterschlüssel
- Nutfräsenmesser
- Original-Makita-Akku und -Ladegerät

HINWEIS:

- Manche Teile in der Liste können als Standardzubehör im Werkzeugsatz enthalten sein. Sie können von Land zu Land unterschiedlich sein.

ENG905-1

Geräusch

Typischer A-bewerteter Geräuschpegel ermittelt gemäß EN60745:

Modell DPJ140

Schalldruckpegel (L_{pA}): 73 dB (A)
Ungewissheit (K): 3 dB (A)

Der Lärmpegel kann während des Betriebs 80 dB (A) überschreiten.

Modell DPJ180

Schalldruckpegel (L_{pA}): 74 dB (A)
Ungewissheit (K): 3 dB (A)

Der Lärmpegel kann während des Betriebs 80 dB (A) überschreiten.

Gehörschutz tragen

ENG900-1

Vibration

Vibrationsgesamt看wert (Drei-Achsen-Vektorsumme) ermittelt gemäß EN60745:

Arbeitsmodus: Nutenfräsen in MDF
Vibrationsemission (a_{h1}): 2,5 m/s² oder weniger
Ungewissheit (K): 1,5 m/s²

- Der angegebene Vibrationsemissionswert wurde im Einklang mit der Standardprüfmethode gemessen und kann für den Vergleich zwischen Maschinen herangezogen werden.
- Der angegebene Vibrationsemissionswert kann auch für eine Vorbewertung des Gefährdungsgrads verwendet werden.

 **WARNUNG:**

- Die Vibrationsemission während der tatsächlichen Benutzung des Elektrowerkzeugs kann je nach der Benutzungsweise der Maschine vom angegebenen Emissionswert abweichen.
- Identifizieren Sie Sicherheitsmaßnahmen zum Schutz des Benutzers anhand einer Schätzung des Gefährdungsgrads unter den tatsächlichen Benutzungsbedingungen (unter Berücksichtigung aller Phasen des Arbeitszyklus, wie z. B. Ausschalt- und Leerlaufzeiten der Maschine zusätzlich zur Betriebszeit).

EG-KONFORMITÄTSERKLÄRUNG

Nur für europäische Länder

Die EG-Konformitätserklärung ist als Anhang A in dieser Bedienungsanleitung enthalten.

Visione generale

1 Pulsante	14 Per stringere	26 Lama fresatrice lamellare
2 Indicatore rosso	15 Per allentare	27 Flangia interna
3 Batteria	16 Giù	28 Vite di serraggio
4 Marchio di stella	17 Su	29 Blocco albero
5 Spia luminosa	18 Asse al centro della lama	30 Sacchetto per la polvere
6 Marcatura	19 Guida	31 Chiusura
7 Arresto	20 Scala graduata	32 Ugello per la polvere
8 Vite di regolazione	21 Riparo per la lama	33 Apertura di ventilazione
9 Chiodo di gomma	22 Piastra di adattamento	34 Apertura di aspirazione
10 Leva di blocco	23 Spessore della piastra di adattamento	35 Indicatore di limite
11 Guida angolare	24 Interruttore di scorrimento	36 Coperchio supporto
12 Manopola	25 Controdado	37 Cacciavite
13 Scala		38 Coperchio portaspazzola

DATI TECNICI

Modello	DPJ140	DPJ180
Tipo di lama	Fresatrice lamellare	
Profondità di scanalatura max.	20 mm	
Velocità a vuoto (min ⁻¹)	6.500	
Lunghezza totale	351 mm	
Peso netto	3,0 kg	
Tensione nominale	14,4 V CC	18 V CC

- Per il nostro programma di ricerca e sviluppo continui, i dati tecnici sono soggetti a modifiche senza preavviso.
- I dati tecnici e la cartuccia batteria potrebbero differire da paese a paese.
- Peso, con batteria, secondo la Procedura EPTA 01/2003

ENE013-1

Scopo prefissato

Questo utensile è progettato per il taglio di scanalature falcate per la sistemazione di caviglie o biscotti di legno piatti con azione tuffante.

GEA010-1

Avvertimenti generali per la sicurezza dell'utensile elettrico

⚠ AVVERTIMENTO Leggere tutti gli avvertimenti per la sicurezza e le istruzioni. La mancata osservanza degli avvertimenti e delle istruzioni può causare scosse elettriche, incendio e/o gravi incidenti.

Conservare tutti gli avvertimenti e le istruzioni per riferimenti futuri.

GEB093-1

AVVERTIMENTI PER LA SICUREZZA DELLA FRESATRICE LAMELLARE A BATTERIA

1. Le lame devono avere come minimo la taratura della velocità marcata sull'utensile. Le lame che girano oltre la velocità nominale possono volare via causando incidenti.
2. Usare sempre la protezione. La protezione serve a proteggere l'operatore dai frammenti delle lame rotte, e dal contatto accidentale con la lama.
3. Usare solo le lame specificate per questa macchina.

4. **Non usare mai la macchina con la lama bloccata in posizione esposta nè senza il riparo di sicurezza per la lama fissato correttamente in posizione.**
5. **Accertarsi che la lama scorra facilmente prima di accendere la macchina.**
6. **Prima di usarla controllare attentamente se la lame presentano criccate o danneggiamenti. Sostituire immediatamente lame criccate o danneggiate.**
7. **Assicurarsi che la flangia entri nel foro dell'albero quando si inserisce la lama.**
8. **Prima della fresatura controllate se ci sono chiodi o corpi estranei sul pezzo e rimuoverli.**
9. **Disporre sempre i pezzi su un banco di lavoro sufficientemente robusto.**
10. **Fissare perfettamente i pezzi con un morsetto o una morsa.**
11. **NON portare MAI guanti durante il lavoro.**
12. **Tenere la macchina fermamente con entrambe le mani.**
13. **Tenere le mani e il corpo lontani dall'area di scanalatura.**
14. **Fare funzionare per un po' la macchina senza puntare la lama contro le persone. Osservare eventuali vibrazioni od oscillazioni che potrebbero indicare un assemblaggio imperfetto o uno scarso bilanciamento della lama.**
15. **Non mettere le mani sotto i pezzi durante la rotazione della lama.**
16. **Non lasciare incustodita la macchina quando è in funzione.**

17. Accertarsi sempre che l'utensile sia spento e di aver rimosso la batteria prima di eseguire un qualsiasi intervento su di esso o di sostituire la lama.
18. Alcuni materiali contengono sostanze chimiche che potrebbero essere tossiche. Fare attenzione per evitarne l'inalazione o il contatto con la pelle. Osservare i dati per la sicurezza forniti dal produttore del materiale.
19. Non usare lame ottuse o danneggiate.
20. Non usare l'utensile con protezioni danneggiate.

CONSERVARE QUESTE ISTRUZIONI.

⚠ AVVERTIMENTO:

NON lasciare che comodità o la familiarità d'utilizzo con il prodotto (acquisita con l'uso ripetuto) sostituisca la stretta osservanza delle norme di sicurezza. L'utilizzo SBAGLIATO o la mancata osservanza delle norme di sicurezza di questo manuale di istruzioni potrebbero causare lesioni serie.

ENC007-8

ISTRUZIONI IMPORTANTI PER LA SICUREZZA

CARTUCCIA BATTERIA

1. Prima di usare la cartuccia della batteria, leggere tutte le istruzioni e le avvertenze sul (1) caricabatteria, sulla (2) batteria e sul (3) prodotto che utilizza la batteria.
2. Non smontare la cartuccia della batteria.
3. Se il tempo di funzionamento diventa eccessivamente corto, smettere immediatamente di usare l'utensile. C'è pericolo di surriscaldamento, di possibili bruciature ed anche di esplosione.
4. Se l'elettrolito finisce negli occhi, sciacquarli con acqua fresca e rivolgersi subito a un medico. C'è la possibilità di perdita della vista.
5. Non cortocircuitare la cartuccia della batteria:
 - (1) Non toccare i terminali con qualche metallo conduttivo.
 - (2) Evitare di conservare la cartuccia della batteria in un contenitore con altri oggetti metallici come i chiodi, le monete, ecc.
 - (3) Non esporre la cartuccia della batteria all'acqua o alla pioggia.

Un cortocircuito della batteria può causare un grande flusso di corrente, il surriscaldamento, possibili ustioni e addirittura un guasto.

6. Non tenere l'utensile e la cartuccia batteria in luoghi dove la temperatura potrebbe raggiungere o superare i 50°C.
7. Non incenerire la cartuccia della batteria anche se è gravemente danneggiata o è completamente esaurita. La cartuccia della batteria può esplodere e provocare un incendio.
8. Fare attenzione a non lasciar cadere o a colpire la batteria.
9. Non usare una batteria danneggiata.
10. Seguire le norme locali relative al modo di disfarsi della batteria.

CONSERVARE QUESTE ISTRUZIONI.

Suggerimenti per mantenere la durata massima della batteria

1. Caricare la cartuccia della batteria prima che si scarichi completamente. Smettere sempre di usare l'utensile e caricare la cartuccia della batteria quando si nota che la potenza dell'utensile è diminuita.
2. Non ricaricare mai una cartuccia della batteria completamente carica. La sovraccarica riduce la durata della batteria.
3. Caricare la cartuccia batteria alla temperatura ambiente di 10°C – 40°C. Lasciar raffreddare una cartuccia della batteria calda prima di caricarla.
4. Caricare la cartuccia della batteria una volta ogni sei mesi se non si intende usarla per un lungo periodo di tempo.

DESCRIZIONE DEL FUNZIONAMENTO

⚠ ATTENZIONE:

- Prima di regolare o controllare le funzioni dell'utensile, verificare sempre di averlo spento e di aver rimosso la batteria.

Installazione o rimozione della batteria (Fig. 1)

⚠ ATTENZIONE:

- Spegnere sempre l'utensile prima di installare o di rimuovere la batteria.
- Tenere saldamente l'utensile e la batteria quando si installa o si rimuove la batteria. Se non si tengono saldamente l'utensile e la cartuccia batteria, potrebbero sfuggire di mano danneggiandosi e causare un incidente.

Per rimuovere la batteria, toglierla dall'utensile spingendo allo stesso tempo il bottone sulla parte anteriore della batteria.

Per installare la batteria, allineare l'appendice della batteria sulla scanalatura dell'alloggiamento e spingerla in posizione. Inserirla completamente finché si blocca in posizione con uno piccolo scatto. Se si vede l'indicatore rosso sul lato superiore del bottone, vuol dire che la batteria non è bloccata completamente.

⚠ ATTENZIONE:

- Installare sempre completamente la batteria finché l'indicatore rosso non è più visibile. In caso contrario, potrebbe cadere accidentalmente fuori dall'utensile causando un incidente all'operatore o a chi gli è vicino.
- Non installare forzatamente la batteria. Se la batteria non scivola dentro facilmente, vuol dire che non viene inserita correttamente.

Sistema di protezione della batteria (Fig. 2)

L'utensile è dotato di un sistema di protezione della batteria. Questo sistema interrompe automaticamente la corrente al motore per estendere la vita della batteria.

L'utensile si arresta automaticamente mentre sta funzionando se esso e/o la batteria vengono a trovarsi in una delle condizioni seguenti:

- Sovraccarico: L'utensile viene usato in un modo che causa un suo assorbimento anormalmente alto di corrente. In tal caso, spegnere l'utensile e arrestare l'applicazione che ha causato il sovraccarico dell'utensile. Riaccendere poi l'utensile per riavviarlo. Se l'utensile non si riavvia, vuol dire che è sovraccarica la batteria. In tal caso, lasciar raffreddare la batteria prima di riaccendere l'utensile.

- Bassa tensione della batteria:
La capacità restante della batteria è troppo bassa e l'utensile non funziona. In tal caso, rimuovere e ricaricare la batteria.

NOTA:

- La protezione del sovraccarico si attiva soltanto con una cartuccia batteria che ha il marchio di una stella.

Spia luminosa multifunzione (Fig. 3)

Le spie luminose sono presenti in due posizioni. Quando la batteria è inserita nell'utensile e l'interruttore scorrevole si trova nella posizione "O (OFF)", la spia luminosa lampeggia rapidamente per circa un secondo. Se non lampeggia, significa che la batteria o la spia luminosa presenta un malfunzionamento.

– Protezione dal sovraccarico

- Se l'utensile è sovraccaricato, si accende la spia luminosa. La spia si spegne quando il carico sull'utensile viene ridotto.
- Se l'utensile continua ad essere sovraccaricato e la spia luminosa rimane accesa per circa due secondi, l'utensile si ferma per impedire danni al motore e ai componenti collegati.
- In questo caso, per riprendere l'utilizzo dell'utensile, spostare l'interruttore scorrevole prima nella posizione "O (OFF)", quindi nella posizione "I (ON)".

– Segnale di sostituzione della batteria

- Quando la capacità rimanente della batteria è limitata, la spia luminosa si accende durante il funzionamento quando è ancora disponibile una carica della batteria sufficiente.

– Funzione di prevenzione del riavvio accidentale

- Anche se la batteria è inserita nell'utensile con l'interruttore scorrevole nella posizione "I (ON)", l'utensile non si accende. In questo caso, la spia lampeggia lentamente per indicare che è in uso la funzione di prevenzione del riavvio accidentale.
- Per accendere l'utensile, portare l'interruttore scorrevole prima nella posizione "O (OFF)", quindi nella posizione "I (ON)".

Regolazione della profondità della scanalatura (Fig. 4)

Si possono programmare 6 profondità della scanalatura, secondo le dimensioni del biscotto da usare. Consultare la tabella riportata qui sotto per la corrispondenza fra la quota marcata sull'arresto e la dimensione dell'incastro. Per eseguire una regolazione fine della profondità della scanalatura, ruotare la vite di regolazione dopo aver allentato il dado esagonale. Ciò potrebbe essere necessario dopo che la lama è stata riaffilata alcune volte.

Quota sull'arresto	0	10	20	S	D	MAX
Dimensione incastro	0	10	20	—	—	—
Profondità della scanalatura	8 mm	10 mm	12,3 mm	13 mm	14,7 mm	20 mm*

* Con i chiodi di gomma rimossi.

012681

Guida angolare (Fig. 5 e 6)

L'altezza della guida angolare può essere spostata su o giù per regolare la posizione della lama rispetto alla parte superiore del pezzo.

Per regolare l'altezza della guida angolare, allentare giù la leva di blocco e ruotare la manopola finché l'indice indica la graduazione desiderata della scala sulla guida angolare.

Stringere poi su la leva di blocco per fissare la guida angolare. La scala riportata sulla guida angolare indica la distanza fra la parte superiore del pezzo e l'asse al centro della lama.

La guida angolare è rimovibile dalla guida pezzo secondo la necessità del lavoro. Per rimuovere la guida angolare, allentare la leva di blocco e girare la manopola in senso orario finché fuoriesce dalla estremità superiore della guida.

Guida (Fig. 7 e 8)

NOTA:

- Rimuovere la guida angolare secondo la necessità del lavoro quando si usa l'utensile ad un angolo della guida regolato diversamente da 0°. Se è necessario usare la guida angolare nelle condizioni sopra, regolare la profondità della scanalatura per ottenere la profondità corretta.

L'angolo della guida può essere regolato fra 0° e 90° (arresti positivi in 0°, 45° e 90°). Per regolare l'angolo, allentare la leva di blocco e ribaltare la guida finché la marcatura non va a trovarsi davanti alla graduazione desiderata della scala graduata. Quindi serrare la leva di blocco per fissare la guida. Quando la guida si trova a 90°, risultano uguali a 10 mm sia la distanza fra l'asse al centro della lama e la guida che la distanza fra l'asse al centro della lama e la parte inferiore della base.

Piastra di adattamento (Fig. 9 e 10)

Usare la piastra di adattamento come indicato nelle Fig. 9 e 10 quando si tagliano scanalature in particolari sottili.

Funzionamento dell'interruttore (Fig. 11)

⚠ ATTENZIONE:

- Prima di installare la batteria nell'utensile, controllare se l'interruttore scorrevole funziona correttamente e ritorna alla posizione "OFF" quando viene premuta la parte posteriore dell'interruttore.
- L'interruttore può essere bloccato sulla posizione "ON" per la comodità dell'operatore durante l'utilizzo prolungato. Usare cautela quando si blocca l'interruttore sulla posizione "ON", e tenere sempre saldamente l'utensile.

Per avviare l'utensile, spingere l'interruttore di scorrimento verso la posizione "I (ON)". Per il funzionamento continuo, premere la parte anteriore dell'interruttore di scorrimento per bloccarlo.

Per fermare l'utensile, premere la parte posteriore dell'interruttore di scorrimento e spingerlo poi verso la posizione "O (OFF)".

MONTAGGIO

⚠ ATTENZIONE:

- Prima di eseguire qualsiasi operazione sull'utensile, verificare sempre di averlo spento e di aver rimosso la batteria.

Rimozione o inserimento della lama (Fig. 12)

⚠ ATTENZIONE:

- Quando si inserisce la lama fresatrice lamellare, montate la flangia interna con il lato marcato "22" rivolto verso l'operatore.

Per rimuovere la lama, allentare la vite di serraggio e aprire il riparo per la lama. Spingere il blocco del gambo e allentare il controdado usando una chiave. Per inserire la lama, montare dapprima la flangia interna.

Quindi montare la lama e il controdado. Serrare a fondo il controdado usando una chiave. Chiudere il riparo della lama e serrare la vite di serraggio per fissare il riparo.

⚠ ATTENZIONE:

- Per rimuovere o installare la lama, usare soltanto la chiave per controdadi Makita in dotazione.
- Controllare sempre la profondità della scanalatura dopo la sostituzione della lama. Regolarla di nuovo se necessario.

Sacchetto per la polvere (Fig. 13)

Per attaccare il sacchetto della polvere, montarlo sull'ugello per la polvere. Se il sacchetto per la polvere ostacola il lavoro, girare l'ugello per la polvere per cambiare la posizione del sacchetto per la polvere.

Quando il sacchetto per la polvere diventa pieno a metà circa, spegnere l'utensile e rimuovere la batteria. Rimuovere il sacchetto della polvere dall'utensile e tirar fuori la chiusura del sacchetto. Vuotare il sacchetto per la polvere dandogli dei leggeri colpi in modo da rimuovere quanta più polvere possibile.

NOTA:

- Collegando un aspiratore Makita alla fresatrice lamellare si possono fare operazioni più efficienti e pulite.

FUNZIONAMENTO

Come fare le giunzioni

⚠ AVVERTIMENTO:

- Fissare sempre il pezzo al banco di lavoro prima di ciascuna operazione. (Fig. 14 e 15)

Giunto ad angolo (Fig. 16, 17 e 18)

Giunto di testa a T (Fig. 19, 20 e 21)

Giunto ad angolo con incastro (Fig. 22 e 23)

Giunto per cornice (Fig. 24 e 25)

Giunto frontale (Fig. 26 e 27)

Per fare giunzioni, procedere nel seguente modo:

1. Accostare insieme i due pezzi così come appariranno nella posizione finale di giunto.
2. Marcare con una matita il centro delle scanalature per l'incastro previste sul pezzo.

NOTA:

- Il centro delle scanalature dovrebbe essere almeno a 50 mm dal bordo esterno dei pezzi.
- Nelle applicazioni con diversi incastri, lasciare 100 mm – 150 mm fra le singole scanalature.
- 3. **Solo per giunti ad angolo e giunti di testa a T**
Fissare il pezzo verticale sul banco di lavoro.
Solo per giunti ad angolo con incastro
Fissare un pezzo al banco di lavoro con il bordo tagliato a quartabuono rivolto in alto.
Solo per giunti per cornice e giunti frontali
Fissare un pezzo sul banco di lavoro.

4. Regolare la profondità della scanalatura secondo le dimensioni del biscotto da usare. Vedere la tabella nella sezione "Regolazione della profondità della scanalatura".
5. Regolare l'altezza della guida angolare in modo che la lama risulti centrata rispetto all'asse.
6. Allineare la marcatura di centro riportata sulla base con la linea tracciata con la matita sul pezzo.
7. Accendere la macchina e spingere delicatamente la lama dentro il pezzo.
8. Riportare delicatamente la macchina nella sua posizione originale dopo che la vite di regolazione ha raggiunto l'arresto.
9. **Solo per giunti ad angolo e giunti di testa a T**
Fissare il pezzo orizzontale sul banco di lavoro.
Solo per giunti ad angolo con incastro
Fissare l'altro pezzo al banco di lavoro con il bordo tagliato a quartabuono rivolto in alto.
Solo per giunti per cornice e giunti frontali
Fissare l'altro pezzo sul banco di lavoro.
10. **Solo per giunto ad angolo**
Disporre la macchina sul pezzo in modo che la lama sia rivolta verso il basso.
Solo per giunti di testa a T
Rimuovere la guida angolare dalla macchina. Disporre la macchina sul pezzo in modo che la lama sia rivolta verso il basso.
11. Ripetere i passi 6 – 8 per scanalare orizzontalmente o l'altro pezzo.

Se non occorre centrare la lama rispetto all'asse, procedere nel seguente modo:

Solo per giunto ad angolo, giunti ad angolo con incastro, giunti per cornice e giunti frontali

- Togliere la guida angolare dalla macchina. Posizionare la guida a 90° per giunti ad angolo, giunti per cornice e giunti frontali o a 45° per giunti ad angolo con incastro.
- Seguire le operazioni descritte sopra ai punti 1 – 11 ad eccezione dei punti 5 e 10.

Solo per giunti di testa a T

- Mettere insieme i due pezzi così come dovranno risultare nella posizione finale di giunto.
- Appoggiare il pezzo verticale sul pezzo orizzontale. Fissare entrambi i pezzi sul banco di lavoro.
- Togliere la guida angolare dalla macchina.
- Seguire le operazioni descritte sopra ai punti 2, 4, 6, 7, 8 e 11.

MANUTENZIONE

⚠ ATTENZIONE:

- Prima di effettuare controlli o operazioni di manutenzione, verificare sempre di aver spento l'utensile e di aver rimosso la batteria.
- Mai usare benzina, benzene, solventi, alcol e altre sostanze simili. Potrebbero causare scolorimenti, deformazioni o crepe.

L'utensile e le sue aperture di ventilazione devono essere mantenuti puliti. Pulire regolarmente le aperture di ventilazione od ogni volta che cominciano a essere ostruite. (Fig. 28)

Sostituzione delle spazzole di carbone

Rimuovere e controllare periodicamente le spazzole di carbone. Sostituire le spazzole quando sono consumate fino all'indicatore di limite. Mantenere le spazzole di carbone pulite e libere di scorrere nei supporti. Entrambe le spazzole di carbone devono essere sostituite contemporaneamente. Utilizzare solo spazzole di carbone dello stesso tipo. **(Fig. 29)**

Inserire l'estremità superiore della punta del cacciavite nella tacca sull'utensile, quindi rimuovere il coperchio del supporto mediante sollevamento. **(Fig. 30)**

Rimuovere i coperchi dei portaspazzola con un cacciavite. Estrarre le spazzole di carbone consumate, inserire le nuove spazzole e fissare i coperchi dei portaspazzola. **(Fig. 31)**

Rimontare il coperchio del supporto sull'utensile.

Per mantenere la SICUREZZA e l'AFFIDABILITÀ del prodotto, le riparazioni e qualsiasi altra operazione di manutenzione o regolazione devono essere eseguite dai centri di assistenza autorizzati Makita utilizzando sempre parti di ricambio Makita.

ACCESSORI OPZIONALI

⚠ ATTENZIONE:

- Per l'utensile Makita specificato in questo manuale, si consigliano questi accessori o ricambi. L'utilizzo di altri accessori o ricambi può costituire un pericolo. Usare soltanto gli accessori o ricambi specificati per il loro utilizzo.

Per maggiori dettagli e l'assistenza, rivolgersi al Centro Assistenza Makita locale.

- Guida angolare
- Sacchetto per la polvere
- Piastra di adattamento
- Chiave per controdadi
- Lama fresatrice lamellare
- Batteria e caricatore genuini Makita

NOTA:

- Alcuni articoli nella lista potrebbero essere inclusi nell'imballo dell'utensile come accessori standard. Essi potrebbero differire da Paese a Paese.

ENG905-1

Rumore

Il tipico livello di rumore pesato A determinato secondo EN60745:

Modello DPJ140

Livello pressione sonora (L_{pA}): 73 dB (A)

Incertezza (K): 3 dB (A)

Il livello di rumore durante il lavoro potrebbe superare gli 80 dB (A).

Modello DPJ180

Livello pressione sonora (L_{pA}): 74 dB (A)

Incertezza (K): 3 dB (A)

Il livello di rumore durante il lavoro potrebbe superare gli 80 dB (A).

Indossare i paraorecchi

Vibrazione

Il valore totale di vibrazione (somma vettore triassiale) determinato secondo EN60745:

Modalità operativa: esecuzione di scanalature in MDF

Emissione di vibrazione (a_h): 2,5 m/s² o meno

Incertezza (K): 1,5 m/s²

ENG901-1

- Il valore di emissione delle vibrazioni dichiarato è stato misurato conformemente al metodo di test standard, e può essere usato per paragonare un utensile con un altro.
- Il valore di emissione delle vibrazioni dichiarato può anche essere usato per una valutazione preliminare dell'esposizione.

⚠ AVVERTIMENTO:

- L'emissione delle vibrazioni durante l'uso reale dell'utensile elettrico può differire dal valore di emissione dichiarato a seconda dei modi in cui viene usato l'utensile.
- Identificare le misure di sicurezza per la protezione dell'operatore basate sulla stima dell'esposizione nelle condizioni reali d'utilizzo (tenendo presente tutte le parti del ciclo operativo, come le volte in cui l'utensile viene spento e quando gira a vuoto, oltre al tempo di funzionamento).

DICHIARAZIONE DI CONFORMITÀ CE

Solo per i paesi europei

La dichiarazione di conformità CE è inclusa nell'Allegato A al presente manuale di istruzioni.

Verklaring van algemene gegevens

1 Knop	14 Vastzetten	27 Binnenflens
2 Rood aanduiding	15 Losmaken	28 Klemschroef
3 Accu	16 Omlaag	29 Asvergrendeling
4 Stermarkering	17 Omhoog	30 Stofzak
5 Bedrijfslampje	18 Midden blad dikte	31 Klem
6 Wijzer	19 Geleideplaat	32 Stofmond
7 Aanslag	20 Hoekschaal	33 Uitlaatsleuf
8 Stelschroef	21 Afdekkap	34 Luchtinlaatsleuf
9 Rubber dop	22 Stelplaat	35 Slijtgrensmarkering
10 Vergrendelingshefboom	23 Dikte stelplaat	36 Houderafdekking
11 Hoekgeleider	24 Aan/uit-schakelaar	37 Schroevendraaier
12 Draaiknop	25 Sluitmoer	38 Koelborsteldop
13 Schaalverdeling	26 Lamellenfreesblad	

TECHNISCHE GEGEVENS

Model	DPJ140	DPJ180
Type freesblad	Lamellenfreesmachine	
Maximale freesdiepte	20 mm	
Toerental onbelast/min. (min ⁻¹)	6 500	
Totale lengte	351 mm	
Netto gewicht	3,0 kg	
Nominale spanning	14,4 V gelijkstroom	18 V gelijkstroom

- In verband met ononderbroken research en ontwikkeling behouden wij ons het recht voor bovenstaande technische gegevens te wijzigen zonder voorafgaande kennisgeving.
- De technische gegevens de accu kunnen van land tot land verschillen.
- Gewicht, inclusief accu, volgens de EPTA-procedure 01/2003

ENE013-1

Gebruiksdoeleinden

De machine is bedoeld voor het frezen van sikkelvormige gleuven voor het plaatsen van platte, houten pluggen of lamellen door middel van insteekfrezen.

GEA010-1

Algemene veiligheidswaarschuwingen voor elektrisch gereedschap

⚠ WAARSCHUWING! Lees alle veiligheidswaarschuwingen en alle instructies. Het niet volgen van de waarschuwingen en instructies kan leiden tot elektrische schokken, brand en/of ernstig letsel.

Bewaar alle waarschuwingen en instructies om in de toekomst te kunnen raadplegen.

GEB093-1

VEILIGHEIDSWAARSCHUWINGEN VOOR SNOELOZE LAMELLENFREESMACHINE

1. **Freesbladen moeten zijn goedgekeurd voor minimaal het aangegeven toerental van dit gereedschap.** Freesbladen die met een hoger toerental draaien dan hun nominaal toerental kunnen stuk breken en in het rond vliegen, en daarbij letsel veroorzaken.

2. **Gebruik altijd de beschermkap.** De beschermkap beschermt de gebruiker tegen afgebroken stukjes freesblad en per ongeluk aanraken van het freesblad.
3. **Gebruik uitsluitend voorgeschreven bladen.**
4. **Werk nooit met de machine met het blad vergrendeld in ontblote stand of zonder dat de bladafdekkap goed op haar plaats zit.**
5. **Controleer of het blad vrij ronddraait vooraleer met de machine te gaan werken.**
6. **Controleer de bladen op barsten of beschadigingen vooraleer met de machine te gaan werken. Vervang een gebarsten of beschadigd blad onmiddellijk.**
7. **Controleer of de flens goed in het asgat past bij het monteren van het blad.**
8. **Zorg dat het werkstuk vrij is van spijkers en vreemde voorwerpen vooraleer u met de machine gaat werken.**
9. **Plaats de werkstukken altijd op een stabiele werkbank.**
10. **Zet de werkstukken stevig vast met een klem of bankschroef.**
11. **Draag NOOIT handschoenen tijdens het werken met de machine.**
12. **Houd de machine stevig vast met beide handen.**
13. **Houd uw handen en andere lichaamsdelen uit de buurt van het freesgedeelte.**
14. **Laat de machine enige tijd draaien zonder het blad op iemand te richten. Let op trillingen of slingering die kunnen wijzen op een slecht gemonteerd of uitgebalanceerd blad.**

15. Breng de handen nooit onder het werkstuk terwijl het blad draait.
16. Laat de machine nooit onbeheerd draaien.
17. Zorg altijd dat het gereedschap is uitgeschakeld en de accu is verwijderd, voordat u enige afstelling maakt of het freesblad gaat vervangen.
18. Sommige materialen bevatten chemische stoffen die giftig kunnen zijn. Neem de nodige voorzorgsmaatregelen tegen inademing van stof en contact met de huid. Volg de veiligheidsinstructies van de leverancier van het materiaal op.
19. Gebruik een bot of beschadigd freesblad niet meer.
20. Gebruik het gereedschap niet wanneer de beschermkappen beschadigd zijn.

BEWAAR DEZE VOORSCHRIFTEN.

⚠ WAARSCHUWING:

Laat u NIET misleiden door een vals gevoel van comfort en bekendheid met het gereedschap (na veelvuldig gebruik) en neem alle veiligheidsvoorschriften van het betreffende gereedschap altijd strikt in acht. VERKEERD GEBRUIK of het niet naleven van de veiligheidsvoorschriften in deze gebruiksaanwijzing kan leiden tot ernstige verwondingen.

ENC007-8

BELANGRIJKE VEILIGHEIDSVORSCHRIFTEN

VOOR DE ACCU

1. Lees alle voorschriften en waarschuwingen op (1) de acculader, (2) de accu, en (3) het product waarvoor de accu wordt gebruikt, aandachtig door alvorens de acculader in gebruik te nemen.
2. Neem de accu niet uit elkaar.
3. Als de gebruiksduur van het gereedschap erg kort is geworden, staakt u dan onmiddellijk het gebruik. Er bestaat kans op oververhitting, met gevaar voor brand of zelfs een explosie.
4. Als er accuvloeistof in uw ogen komt, wast u die dan onmiddellijk uit met volop water en raadpleeg dan onverwijld een arts. Uw gezichtsvermogen zou ernstig aangetast kunnen worden.
5. Voorkom kortsluiting van de accu:
 - (1) Raak de acculemmen nooit aan met een geleidend materiaal.
 - (2) Bewaar de accu niet in een bak waarin andere metalen voorwerpen zoals spijkers, munten e.d. worden bewaard.
 - (3) Stel de accu niet bloot aan water of regen.

Kortsluiting van de accu kan oorzaak zijn van een grote stroomafgifte, oververhitting, brandwonden, en zelfs defecten.

6. Bewaar het gereedschap en de accu niet op een plaats waar de temperatuur tot 50°C of hoger kan oplopen.
7. Werp de accu nooit in het vuur, ook niet wanneer hij zwaar beschadigd of volledig versleten is. De accu kan namelijk ontploffen in het vuur.
8. Wees voorzichtig dat u de accu niet laat vallen en hem niet blootstelt aan schokken of stoten.
9. Gebruik nooit een beschadigde accu.

10. Volg bij het wegwerpen van de accu de plaatselijk geldende voorschriften.

BEWAAR DEZE VOORSCHRIFTEN.

Tips voor een maximale levensduur van de accu

1. Laad de accu op voordat hij volledig ontladen is. Stop het gebruik van het gereedschap en laad de accu op telkens wanneer u vaststelt dat het vermogen van het gereedschap is afgenomen.
2. Laad een volledig opgeladen accu nooit opnieuw op. Als u de accu te veel oplaadt, zal hij minder lang meegaan.
3. Laad de accu op bij een kamertemperatuur van 10°C – 40°C. Laat een warme accu afkoelen alvorens hem op te laden.
4. Laad de accu zeker elk half jaar een keer op, ook als u deze geruime tijd lang niet gebruikt.

BESCHRIJVING VAN DE FUNCTIES

⚠ LET OP:

- Controleer altijd of het gereedschap is uitgeschakeld en de accu is verwijderd alvorens de functies van het gereedschap te controleren of af te stellen.

Aanbrengen en verwijderen van de accu (Fig. 1)

⚠ LET OP:

- Schakel altijd het gereedschap uit voordat u de accu aanbrengt of verwijderd.
- Houd het gereedschap en de accu stevig vast wanneer u de accu aanbrengt of verwijderd. Als u het gereedschap en de accu niet stevig vasthoudt, zou er iets uit uw handen kunnen glijpen, met gevaar voor schade aan het gereedschap of de accu en eventuele verwonding.

Om de accu te verwijderen, schuift u deze uit het gereedschap los terwijl u de knop voorop de accu ingedrukt houdt.

Voor het aanbrengen van de accu plaatst u de tong van de accu in de groef van de behuizing en schuift u de accu op zijn plaats. Schuif de accu er altijd volledig in totdat die op zijn plaats vast klikt. Wanneer de rode indicator op de bovenkant van de knop nog zichtbaar is, zit de accu niet volledig erin.

⚠ LET OP:

- Schuif de accu volledig erin totdat de rode indicator niet meer zichtbaar is. Als u dit nalaat, zou de accu uit het gereedschap kunnen vallen en uzelf of anderen kunnen verwonden.
- Druk de accu er niet met kracht in. Als de accu er niet soepel in gaat, houdt u die waarschijnlijk in de verkeerde stand.

Accubeveiligingssysteem (Fig. 2)

Het gereedschap is voorzien van een accubeveiligingssysteem. Dit systeem kan automatisch de stroomtoevoer naar de motor afsluiten om de levensduur van de accu te verlengen.

Het gereedschap kan tijdens gebruik automatisch stoppen wanneer het gereedschap en/of de accu aan één van de volgende omstandigheden wordt blootgesteld:

• **Overbelasting:**

Als het gereedschap wordt gebruikt op een manier die een abnormaal hoge stroomsterkte vergt.

In dat geval schakelt u het gereedschap uit en verhelpt u de oorzaak van de overbelasting nadat het werktuig gestopt is. Dan schakelt u het gereedschap weer in om het te herstarten.

Als het gereedschap niet start, kan de accu oververhit zijn. In dat geval laadt u de accu afkoelen voordat u het gereedschap opnieuw inschakelt.

• **Onvoldoende accuspanning:**

Als de resterende accuspanning onvoldoende is, zal het gereedschap niet starten. In dat geval verwijdert u de accu en laadt u die opnieuw op.

OPMERKING:

- De beveiliging tegen oververhitting werkt alleen bij accu's met een stermarkering.

Bedrijfslampje met meerdere functies (Fig. 3)

Er zijn twee bedrijfslampjes.

Wanneer u de accu in het gereedschap steekt terwijl de schuifknop in de "O (OFF)" (uit)-stand, gaat het bedrijfslampje gedurende circa één seconde snel knipperen. Als het niet knippert, is de accu of het bedrijfslampje defect.

– **Overbelastingsbeveiliging**

- Bij overbelasting van het gereedschap gaat het bedrijfslampje branden. Als het gereedschap minder sterk wordt belast, gaat het lampje uit.
- Als de overbelasting van het gereedschap aanhoudt en het bedrijfslampje circa twee seconden blijft branden, stopt het gereedschap. Dit voorkomt schade aan de motor en daaraan gerelateerde onderdelen.
- Om in dit geval het gereedschap weer in te schakelen, schuift u de schuifknop eenmaal naar de "O (OFF)" (uit)-stand en vervolgens naar de "I (ON)" (aan)-stand.

– **Indicatielampje accu bijna leeg**

- Als de accu bijna leeg is, gaat het indicatielampje van de overbelastingsbeveiliging tijdens het gebruik eerder branden dan wanneer de accu nog voldoende capaciteit heeft.

– **Beveiliging tegen onopzettelijk herstarten**

- Zelfs als de accu in het gereedschap is gestoken terwijl de schuifknop op de "I (ON)" (aan)-stand, start het gereedschap niet. Het lampje knippert nu langzaam, wat aangeeft dat de beveiliging tegen onopzettelijk herstarten actief is.
- Om het gereedschap te starten schuift u de schuifknop eerst naar de "O (OFF)" (uit)-stand en vervolgens naar de "I (ON)" (aan)-stand.

Instellen van de freesdiepte (Fig. 4)

U kunt vooraf één van de zes freesdiepten instellen afhankelijk van de grootte van de lamellen die gebruikt gaan worden.

Raadpleeg de onderstaande tabel voor de overeenkomst tussen de afmetingen die zijn vermeld op de aanslag en de grootte van het verbindingsstuk. Fijnafstelling van de freesdiepte kan door aan de stelschroef te draaien na het losdraaien van de zeskantmoer. Dit kan noodzakelijk zijn nadat het freesblad enkele keren is geslepen.

Maat op aanslag	0	10	20	S	D	MAX
Formaat verbindingsstuk	0	10	20	—	—	—
Freesdiepte	8 mm	10 mm	12,3 mm	13 mm	14,7 mm	20 mm*

* Met de rubber doppen verwijderd.

012681

Hoekgeleider (Fig. 5 en 6)

De hoogte van de hoekgeleider is omhoog en omlaag verstelbaar, om de stand van het freesblad ten opzichte van de bovenkant van het werkstuk in te stellen.

Om de hoogte van de hoekgeleider in te stellen, zet u eerst de vergrendelingshefboom omlaag en draait u de draaiknop totdat de wijzer de juiste hoek aangeeft op de schaalverdeling afgebeeld op de hoekgeleider.

Zet daarna de vergrendelingshefboom omhoog om de hoekgeleider te vergrendelen. De schaalverdeling op de hoekgeleider geeft de afstand aan van de bovenkant van het werkstuk tot het midden van de bladdikte.

De hoekgeleider kan worden verwijderd van de geleideplaat, al naar gelang de vereisten van uw werkstuk. Voor het losmaken van de hoekgeleider zet u de vergrendelingshefboom los en dan draait u de draaiknop rechtsom totdat deze uit de bovenkant van de geleideplaat uitsteekt.

Geleideplaat (Fig. 7 en 8)

OPMERKING:

- Verwijder de hoekgeleider al naar gelang de aard van uw werk, voor gebruik van het gereedschap met de hoek van de geleideplaat in een andere stand dan 0°. Wanneer u in een dergelijke stand de hoekgeleider moet gebruiken, let dan vooral goed op dat de freesdiepte juist is ingesteld.

De hoek van de geleideplaat kan worden ingesteld tussen 0° en 90° (klikstanden op 0°, 45° en 90°). Om de hoek te regelen, zet u de vergrendelingshefboom los en kantelt u de geleideplaat tot de wijzer de gewenste stand op de schaalverdeling aangeeft. Zet dan de vergrendelingshefboom vast om de geleideplaat te blokkeren. Wanneer de geleideplaat in een hoek van 90° is gezet, is zowel de afstand van het midden van de bladdikte tot de geleideplaat als de afstand van het midden van de bladdikte tot de onderkant van de grondplaat 10 mm.

Stelplaat (Fig. 9 en 10)

Gebruik de stelplaat zoals wordt getoond in Fig. 9 en 10 om gleuven in dunne werkstukken te maken.

Werking van de aan/uit-schakelaar (Fig. 11)

⚠ LET OP:

- Installeer altijd, voordat u de accu in het gereedschap steekt, of de schuifknop op de juiste manier schakelt en weer terugkeert naar de "OFF" (uit)-stand, wanneer achter op de schuifknop wordt gedrukt.
- De schakelaar kan in de "ON" (aan)-stand vergrendeld worden, hetgeen bij langdurig gebruik comfortabeler werkt. Wees extra voorzichtig wanneer u de schakelaar in de "ON" (aan)-stand vergrendelt en houd het gereedschap altijd stevig vast.

Om de machine in te schakelen, schuift u de aan/uit-schakelaar naar de "I (ON)" (aan)-stand. Om het gereedschap continu te laten werken, drukt u op de voorkant van de aan/uit-schakelaar om deze te vergrendelen.

Om de machine uit te schakelen drukt u op de achterkant van de aan/uit-schakelaar en schuift u de knop naar de "O (OFF)" (uit)-stand.

INEENZETTEN

⚠ LET OP:

- Controleer altijd of het gereedschap is uitgeschakeld en de accu is verwijderd alvorens enige werkzaamheden aan het gereedschap te verrichten.

Het blad demonteren of monteren (Fig. 12)

⚠ LET OP:

- Bij het monteren van het lamellen freesblad plaatst u de binnenflens met de zijde met "22" erop naar u gericht.

Om het blad te verwijderen, de klemschroef losdraaien en de bladafdekkap openen. Druk op de asgrendel en draai de sluitmoer los met de nokkensleutel. Om het blad te monteren eerst de binnenflens aanbrengen.

Monteer dan het blad en de sluitmoer. Draai de sluitmoer stevig vast met de nokkensleutel. Sluit de bladafdekkap en draai de klemschroef vast om de bladafdekkap te vergrendelen.

⚠ LET OP:

- Gebruik uitsluitend de bijgeleverde Makita-sleutel bij het aanbrengen of verwijderen van het freesblad.
- Controleer na het vervangen van het freesblad altijd of de freesdiepte juist is. Stel de freesdiepte zo nodig opnieuw in.

Stofzak (Fig. 13)

Bevestig de stofzak op de stofmond. Als de stofzak tijdens het werk in de weg zit, verdraait u de stofmond om de stand van de stofzak te veranderen.

Wanneer de stofzak ongeveer half vol is, schakelt u het gereedschap uit en verwijdert u de accu. Haal de stofzak van het gereedschap af en trek de klem eraf. Gooi de stofzak leeg door er zacht tegen te tikken om zo veel mogelijk stof eruit te verwijderen.

OPMERKING:

- Als u een Makita-stofzuiger aansluit op uw lamellen-freesmachine, kunt u nog efficiënter en schoner werken.

BEDIENING

Verbindingen maken

⚠ WAARSCHUWING:

- Klem vóór het werk altijd uw werkstuk stevig aan de werkbank vast. (Fig. 14 en 15)

Hoekverbinding (Fig. 16, 17 en 21)

T-verbinding (Fig. 19, 20 en 21)

Verstekverbinding (Fig. 22 en 23)

Raamverbinding (Fig. 24 en 25)

Langsverbinding (Fig. 26 en 27)

Om verbindingen te maken, gaat u als volgt tewerk:

1. Breng de twee werkstukken in de definitieve stand.
2. Markeer het midden van de groeven voor de verbindingstukken met een potlood.

OPMERKING:

- Het midden van de groeven moet minstens 50 mm van de rand van het werkstuk liggen.

- Laat bij meervoudige verbindingstukken een afstand van 100 – 150 mm tussen de groeven.

3. Enkel voor hoekverbinding en T-verbinding

Klem het verticale werkstuk vast op de werkbank.

Enkel voor verstekverbinding

Klem één werkstuk vast op de werkbank met de verstekgezaagde kant omhoog gericht.

Enkel voor raamverbinding en langsverbinding

Klem één werkstuk vast op de werkbank.

4. Stel de freesdiepte passend in voor het formaat van de lamellen die gebruikt gaan worden. Raadpleeg de tabel onder het kopje "Instellen van de freesdiepte".
5. Stel de hoogte van de hoekgeleider in zodat het blad in het midden van de plankdikte staat.
6. Laat de middenmarkering op de grondplaat samenvallen met de potloodlijn op het werkstuk.
7. Zet de machine aan en duw ze voorzichtig naar voren om het blad in het werkstuk te brengen.
8. Breng de machine voorzichtig weer in de originele stand wanneer de stelschroef de aanslag heeft bereikt.
9. **Enkel voor hoekverbinding en T-verbinding**
Klem het horizontale werkstuk vast op de werkbank.
Enkel voor verstekverbinding
Klem het andere werkstuk vast op de werkbank met de verstekgezaagde kant omhoog gericht.
Enkel voor raamverbinding en langsverbinding
Klem één werkstuk vast op de werkbank.
10. **Enkel voor hoekverbinding**
Plaats de machine op het werkstuk met het blad naar onderen gericht.
Enkel voor T-verbinding
Verwijder de hoekgeleider van de machine. Plaats de machine op het werkstuk met het blad naar onderen gericht.
11. Herhaal de stappen van 6 – 8 om groeven te frezen in het horizontale of het andere werkstuk.

Indien het blad niet in het midden van de plank moet worden gecentreerd, gaat u als volgt tewerk:

Enkel voor hoekverbinding, verstekverbinding, raamverbinding en langsverbinding

- Verwijder de hoekgeleider van de machine. Stel de geleideplaat in op 90° voor hoekverbinding, raamverbinding en langsverbinding of op 45° voor verstekverbinding.
- Volg stappen 1 – 11 zoals hierboven beschreven, met uitzondering van stappen 5 en 10.

Enkel voor T-verbinding

- Breng de twee werkstukken in de definitieve stand.
- Plaats het verticale werkstuk op het horizontale. Klem beide werkstukken op de werkbank.
- Verwijder de hoekgeleider van de machine.
- Volg de stappen 2, 4, 6, 7, 8 en 11 zoals hierboven beschreven.

ONDERHOUD

⚠ LET OP:

- Zorg er altijd voor dat de machine is uitgeschakeld en de accu is verwijderd, voordat u een inspectie of onderhoud uitvoert.
- Gebruik nooit benzine, wasbenzine, thinner, alcohol en dergelijke. Hierdoor het verkleuring, vervormingen en barsten worden veroorzaakt.

Zorg dat het gereedschap goed schoon blijft, vooral de ventilatiesleuven. Reinig de luchtsleuven regelmatig en zorg dat ze niet geblokkeerd of verstopt raken. (Fig. 28)

De koolborstels vervangen

Verwijder en controleer de koolborstels regelmatig. Vervang deze wanneer ze tot aan de slijtgrensmarkering zijn afgesleten. Houd de koolborstels schoon en zorg ervoor dat ze vrij kunnen bewegen in de houders. Beide koolborstels dienen tegelijkertijd te worden vervangen. Gebruik alleen identieke koolborstels. (Fig. 29)

Steek een platkopschroevendraaier in de inkeping in het gereedschap en verwijder de houderafdekking door deze omhoog te wippen. (Fig. 30)

Gebruik een schroevendraaier om de koolborsteldoppen te verwijderen. Haal de versleten koolborstels eruit, plaats de nieuwe erin, en zet de koolborsteldoppen goed vast. (Fig. 31)

Plaats de houderafdekking terug op het gereedschap.

Om de VEILIGHEID en BETROUWBAARHEID van het gereedschap te handhaven, dienen alle reparaties, onderhoud en afstellingen te worden uitgevoerd door een erkend Makita-servicecentrum, en altijd met gebruikmaking van originele Makita vervangingsonderdelen.

OPTIONELE ACCESSOIRES

LET OP:

• Deze accessoires of hulpstukken worden aanbevolen voor gebruik met het Makita gereedschap dat in deze gebruiksaanwijzing wordt beschreven. Het gebruik van andere accessoires of hulpstukken kan gevaar voor persoonlijke verwonding opleveren. Gebruik de accessoires of hulpstukken uitsluitend voor het gespecificeerde doel.

Wenst u meer informatie over deze accessoires, neem dan contact op met het dichtstbijzijnde Makita servicecentrum.

- Hoekgeleider
- Stofzak
- Stelplaa
- Sluitmoersleutel
- Lamellenfreesblad
- Originele Makita accu en acculader

OPMERKING:

• Sommige van de onderdelen in deze lijst kunnen bijgeleverd zijn als standaard-accessoires. Deze accessoires kunnen per land verschillend zijn.

ENG905-1

Geluidsniveau

De typisch, A-gewogen geluidsniveaus vastgesteld volgens EN60745:

Model DPJ140

Geluidsdrukniveau (L_{pA}): 73 dB (A)

Onnauwkeurigheid (K): 3 dB (A)

Tijdens het werken kan het geluidsniveau 80 dB (A) overschrijden.

Model DPJ180

Geluidsdrukniveau (L_{pA}): 74 dB (A)

Onnauwkeurigheid (K): 3 dB (A)

Tijdens het werken kan het geluidsniveau 80 dB (A) overschrijden.

Draag oorbeschermers

Trilling

De totaalwaarde van de trillingen (triaxiale vectorsom) vastgesteld volgens EN60745:

Toepassing: Groeven frezen in MDF

Trillingsemissie (a_{h1}): 2,5 m/s² of lager

Onnauwkeurigheid (K): 1,5 m/s²

ENG901-1

- De opgegeven trillingsemissiewaarde is gemeten volgens de standaardtestmethode en kan worden gebruikt om dit gereedschap te vergelijken met andere gereedschappen.
- De opgegeven trillingsemissiewaarde kan ook worden gebruikt voor een beoordeling vooraf van de blootstelling.

WAARSCHUWING:

- De trillingsemissie tijdens het gebruik van het elektrisch gereedschap in de praktijk kan verschillen van de opgegeven trillingsemissiewaarde afhankelijk van de manier waarop het gereedschap wordt gebruikt.
- Zorg ervoor dat veiligheidsmaatregelen worden getroffen ter bescherming van de operator die zijn gebaseerd op een schatting van de blootstelling onder praktijkomstandigheden (rekening houdend met alle fasen van de bedrijfscyclus, zoals de tijdsduur gedurende welke het gereedschap is uitgeschakeld en stationair draait, naast de ingeschakelde tijdsduur).

EG-VERKLARING VAN CONFORMITEIT

Alleen voor Europese landen

De EG-verklaring van conformiteit is bijgevoegd als Bijlage A bij deze gebruiksaanwijzing.

Explicación de los dibujos

1 Botón	14 Apretar	27 Plato interno
2 Indicador rojo	15 Aflojar	28 Tornillo de fijación
3 Cartucho de la batería	16 Abajo	29 Bloqueo del eje
4 Marca de estrella	17 Arriba	30 Bolsa de polvo
5 Luz indicadora	18 Centro del grosor de la hoja	31 Fijador
6 Puntero	19 Escuadra	32 Boquilla de polvo
7 Tope	20 Escala de ángulo	33 Abertura de salida de aire
8 Tornillo de ajuste	21 Cubierta de la hoja	34 Abertura de entrada de aire
9 Espiga de caucho	22 Placa de ajuste	35 Marca de límite
10 Palanca de bloqueo	23 Grosor de la placa de ajuste	36 Cubierta de la tapa del portaherramientas
11 Guía de ángulo	24 Interruptor deslizable	37 Destornillador
12 Mando	25 Tuerca de bloqueo	38 Tapa del portaescobillas
13 Escala	26 Hoja de corte de engalletadora	

ESPECIFICACIONES

Modelo	DPJ140	DPJ180
Tipo de hoja de corte	Engalletadora	
Profundidad de ranurado máxima	20 mm	
Velocidad en vacío (min ⁻¹)	6.500	
Longitud total	351 mm	
Peso neto	3,0 kg	
Tensión nominal	CC de 14,4 V	CC de 18 V

- Debido a un programa continuo de investigación y desarrollo, las especificaciones aquí dadas están sujetas a cambios sin previo aviso.
- Las especificaciones y el cartucho de batería pueden diferir de país a país.
- Peso, con el cartucho de batería, de acuerdo con el procedimiento EPTA 01/2003

ENE013-1

Uso previsto

Esta herramienta ha sido prevista para hacer ranuras en forma de media luna para la colocación de lengüetas o galletas de unión de madera planas por penetración.

GEA010-1

Advertencias de seguridad generales para herramientas eléctricas

⚠ ¡ADVERTENCIA! Lea todas las advertencias de seguridad y todas las instrucciones. Si no sigue todas las advertencias e instrucciones podrá ocasionar una descarga eléctrica, un incendio y/o heridas graves.

Guarde todas las advertencias e instrucciones para futuras referencias.

GEB093-1

ADVERTENCIAS DE SEGURIDAD PARA LA ENGALLETADORA INALÁMBRICA

1. **Las hojas deberán estar especificadas para al menos la velocidad marcada en la herramienta.** Las hojas girando a una velocidad superior a la especificada podrán salir despedidas en pedazos y ocasionar heridas.
2. **Utilice siempre la guarda.** La guarda protege al operario de los fragmentos de una hoja rota y de un contacto involuntario con la hoja.

3. **Utilice solamente las hojas especificadas para esta herramienta.**
4. **No ponga nunca en funcionamiento la herramienta con la hoja bloqueada en la posición expuesta o sin haber fijado correctamente en su lugar la cubierta de la hoja.**
5. **Antes de poner en funcionamiento la herramienta, asegúrese de que la hoja se deslice suavemente.**
6. **Antes de poner en funcionamiento la herramienta, compruebe que no haya roturas o daños en las hojas. Reemplace las hojas inmediatamente si están agrietadas o dañadas.**
7. **Al instalar la hoja, asegúrese de que plato interior se ajuste en el orificio del eje.**
8. **Antes de poner en funcionamiento la herramienta, busque y elimine todos los clavos o materias extrañas que pueda haber en la pieza de trabajo.**
9. **Coloque siempre las piezas de trabajo sobre un banco de trabajo estable.**
10. **Fije las piezas de trabajo firmemente con una prensa de sujeción o un tornillo.**
11. **NO utilice NUNCA guantes mientras la herramienta esté funcionando.**
12. **Mantenga la herramienta firmemente con ambas manos.**
13. **Mantenga las manos y el cuerpo alejados del área de ranurado.**
14. **Haga funcionar la herramienta durante un cierto tiempo sin que la hoja apunte hacia nadie.** Compruebe si se produce alguna vibración u oscilación, que podría indicar una instalación deficiente o un equilibrio deficiente de la hoja.
15. **Nunca ponga las manos bajo las piezas de trabajo mientras la hoja esté girando.**

16. No deje la herramienta en funcionamiento sin supervisión.
17. Asegúrese siempre de que la herramienta está apagada y el cartucho de batería extraído antes de realizar cualquier ajuste o reemplazar la hoja de corte.
18. Algunos materiales contienen sustancias químicas que podrán ser tóxicas. Tenga precaución para evitar la inhalación de polvo y el contacto con la piel. Siga los datos de seguridad del abastecedor del material.
19. No utilice hojas embotadas o dañadas.
20. No utilice la herramienta con guardas dañadas.

GUARDE ESTAS INSTRUCCIONES.

⚠ ADVERTENCIA:

NO deje que la comodidad o familiaridad con el producto (a base de utilizarlo repetidamente) sustituya la estricta observancia de las normas de seguridad para el producto en cuestión. El MAL USO o el no seguir las normas de seguridad establecidas en este manual de instrucciones podrá ocasionar graves heridas personales.

ENC007-8

INSTRUCCIONES DE SEGURIDAD IMPORTANTES

PARA EL CARTUCHO DE BATERÍA

1. Antes de utilizar el cartucho de batería, lea todas las instrucciones e indicaciones de precaución sobre (1) el cargador de baterías, (2) la batería, y (3) el producto con el que se utiliza la batería.
2. No desarme el cartucho de batería.
3. Si el tiempo de uso del cartucho de batería se acorta demasiado, deje de usarlo inmediatamente. Podría resultar en un riesgo de recalentamiento, posibles quemaduras e incluso una explosión.
4. Si entra electrolito en sus ojos, aclárelos con agua limpia y acuda a un médico inmediatamente. Existe el riesgo de poder perder la vista.
5. No cortocircuite el cartucho de batería:
 - (1) No toque los terminales con ningún material conductor.
 - (2) Evite guardar el cartucho de batería en un cajón junto con otros objetos metálicos, tales como clavos, monedas, etc.
 - (3) No exponga el cartucho de batería al agua ni a la lluvia.

Un cortocircuito en la batería puede producir una gran circulación de corriente, un recalentamiento, posibles quemaduras e incluso una rotura de la misma.
6. No guarde la herramienta y el cartucho de batería en lugares donde la temperatura pueda alcanzar o exceder los 50°C.
7. Nunca incinere el cartucho de batería incluso en el caso de que esté dañado seriamente o ya no sirva en absoluto. El cartucho de batería puede explotar si se tira al fuego.
8. Tenga cuidado de no dejar caer ni golpear el cartucho de batería.
9. No utilice una batería dañada.

10. Siga los reglamentos locales referentes al desecho de la batería.

GUARDE ESTAS INSTRUCCIONES.

Consejos para alargar al máximo la vida de servicio de la batería

1. Cargue el cartucho de batería antes de que se descargue completamente. Pare siempre la operación y cargue el cartucho de batería cuando note menos potencia en la herramienta.
2. No cargue nunca un cartucho de batería que esté completamente cargado. La sobrecarga acortará la vida de servicio de la batería.
3. Cargue el cartucho de batería a una temperatura ambiente de 10°C – 40°C. Si un cartucho de batería está caliente, déjelo enfriar antes de cargarlo.
4. Cargue el cartucho de batería una vez cada seis meses si no lo utiliza durante un periodo de tiempo prolongado.

DESCRIPCIÓN DEL FUNCIONAMIENTO

⚠ PRECAUCIÓN:

- Asegúrese siempre de apagar la herramienta y extraer el cartucho de la batería antes de intentar realizar cualquier tipo de ajuste o comprobación en ella.

Instalación o extracción del cartucho de batería (Fig. 1)

⚠ PRECAUCIÓN:

- Apague siempre la herramienta antes de la instalación o extracción del cartucho de batería.
- Sujete la herramienta y el cartucho de batería firmemente cuando instale o extraiga el cartucho de batería. Si no sujeta la herramienta y el cartucho de batería firmemente podrán caérsele de las manos y resultar en daños a la herramienta y cartucho de batería y heridas personales.

Para extraer el cartucho de batería, deslícelo de la herramienta a la vez que desliza el botón de la parte frontal del cartucho.

Para instalar el cartucho de batería, alinee la lengüeta del cartucho de batería con la ranura de la carcasa y deslícelo hasta que encaje en su sitio. Insértelo a tope hasta que se bloquee en su sitio produciendo un pequeño chasquido. Si puede ver el indicador rojo en el lado superior del botón, no estará bloqueado completamente.

⚠ PRECAUCIÓN:

- Instale siempre el cartucho de batería completamente hasta que no pueda verse el indicador rojo. En caso contrario, podrá caerse accidentalmente de la herramienta y ocasionarle heridas a usted o a alguien que esté cerca de usted.
- No instale el cartucho de batería empleando fuerza. Si el cartucho no se desliza al interior fácilmente, será porque no está siendo insertado correctamente.

Sistema de protección de la batería (Fig. 2)

La herramienta está equipada con un sistema de protección de la batería. Este sistema corta automáticamente la alimentación del motor para alargar la vida útil de la batería.

La herramienta se detendrá automáticamente durante la operación si la herramienta y/o la batería son puestas en una de las condiciones siguientes:

• Sobrecargada:

La herramienta es utilizada de una manera que da lugar a que tenga que absorber una corriente anormalmente alta.

En esta situación, apague la herramienta y detenga la tarea que ocasiona la sobrecarga de la herramienta. Después encienda la herramienta para volver a empezar.

Si la herramienta no se pone en marcha, la batería estará recalentada. En esta situación, deje que la batería se enfríe antes de encender la herramienta otra vez.

• Tensión baja en la batería:

La capacidad de batería restante es muy baja y la herramienta no funcionará. En esta situación, extraiga la batería y vuelva a cargarla.

NOTA:

• La protección contra el recalentamiento funciona solamente con un cartucho de batería con marca de estrella.

Luz indicadora multifunción (Fig. 3)

Las luces indicadoras se encuentran en dos posiciones. Cuando se inserta el cartucho de la batería en la herramienta con el interruptor deslizante en la posición "O (OFF)", la luz indicadora parpadea rápidamente durante un segundo aproximadamente. Si no parpadea así, el cartucho de la batería o la luz indicadora se han roto.

– Protección de sobrecarga

- Cuando la herramienta se sobrecarga, se enciende la luz. Cuando se reduce la carga de la herramienta, se apaga la luz.
- Si la herramienta continúa sobrecargada y la luz indicadora sigue encendida durante aproximadamente dos segundos, la herramienta se detiene. Esto evita que el motor y las piezas relacionadas se dañen.
- En ese caso, para volver a poner en marcha la herramienta, mueva el interruptor deslizante hasta la posición "O (OFF)" una vez y después, hasta la posición "I (ON)".

– Indicación de sustitución del cartucho de la batería

- Cuando la carga restante de la batería es baja, la luz indicadora se enciende mientras se usa la herramienta para indicar que pronto se debe sustituir la batería.

– Función de prevención de puesta en marcha accidental

- Aunque el cartucho de la batería se inserte en la herramienta con el interruptor deslizante en la posición "I (ON)", la herramienta no se pone en marcha. En ese momento, la luz parpadea lentamente, lo que indica que se ha activado la función de prevención de puesta en marcha accidental.

- Para poner en marcha la herramienta, primero debe deslizar el interruptor deslizante hasta la posición "O (OFF)" y después debe deslizarlo hasta la posición "I (ON)".

Ajuste de la profundidad de la ranura (Fig. 4)

Se pueden preajustar 6 profundidades de ranurado de acuerdo con el tamaño de la galleta a utilizar.

Consulte la siguiente tabla para conocer la correspondencia entre los tamaños marcados en el tope y el tamaño de la galleta. El ajuste fino de la profundidad de ranurado puede realizarse girando el tornillo de ajuste después de aflojar la tuerca hexagonal. Esto podrá ser necesario después de que la hoja haya sido reafilada unas cuantas veces.

Tamaño indicado en el tope	0	10	20	S	D	MAX
Tamaño de la galleta	0	10	20	—	—	—
Profundidad de la ranura	8 mm	10 mm	12,3 mm	13 mm	14,7 mm	20 mm*

* Con las espigas de caucho quitadas.

012681

Guía de ángulo (Fig. 5 y 6)

La altura de la guía de ángulo se puede mover hacia arriba y hacia abajo para ajustar la posición de la hoja de corte en relación con la parte superior de la pieza de trabajo.

Para ajustar la altura de la guía de ángulo, afloje la palanca de bloqueo hacia abajo y gire el mando hasta que el puntero señale la graduación deseada en la escala marcada sobre la guía de ángulo.

Después apriete la palanca de bloqueo hacia arriba para fijar la guía de ángulo. La escala de la guía de ángulo indica la distancia desde la parte superior de la pieza de trabajo hasta el centro del grosor de la hoja.

La guía de ángulo se puede quitar de la escuadra de acuerdo con las necesidades de su tarea. Para quitar la guía de ángulo, afloje la palanca de bloqueo y gire el mando hacia la derecha hasta que salga del extremo superior de la escuadra.

Escuadra (Fig. 7 y 8)

NOTA:

- Quite la guía de ángulo de acuerdo con las necesidades de su tarea cuando utilice la herramienta con el ángulo de la escuadra ajustado a algo distinto de 0°. Cuando necesite utilizar la guía de ángulo en la condición de arriba, asegúrese de ajustar la profundidad de la ranura para obtener una profundidad apropiada.

El ángulo de la escuadra puede ajustarse entre 0° y 90° (puntos de bloqueo exacto en 0°, 45° y 90°). Para ajustar el ángulo, afloje la palanca de bloqueo y golpee suavemente la escuadra hasta que el puntero señale a la graduación deseada de la escala de ángulos. A continuación, apriete la palanca de bloqueo para fijar la escuadra. Cuando la inclinación de la escuadra se establece en 90°, la distancia desde el centro del grosor de la hoja hasta la escuadra y la distancia desde el centro del grosor de la hoja hasta la parte inferior de la base son ambas de 10 mm.

Placa de ajuste (Fig. 9 y 10)

Utilice la placa de ajuste tal como se muestra en los Fig. 9 y 10 cuando corte ranuras en piezas de trabajo delgadas.

Accionamiento del interruptor (Fig. 11)

⚠ PRECAUCIÓN:

- Antes de instalar el cartucho de la batería en la herramienta, asegúrese siempre de que el interruptor deslizante funcione como es debido y que vuelva a la posición "OFF" al ejercer presión sobre la parte posterior del interruptor deslizante.
- El interruptor puede ser bloqueado en la posición "ON" para mayor comodidad del operario durante una utilización prolongada. Tenga precaución cuando bloquee la herramienta en la posición "ON" y mantenga la herramienta firmemente empuñada.

Para poner en marcha la herramienta, deslice el interruptor deslizante hacia la posición "I (ON)". Para una operación continua, presione la parte delantera del interruptor deslizante para bloquearlo.

Para detener la herramienta, presione la parte trasera del interruptor deslizante, después deslícelo hacia la posición "O (OFF)".

MONTAJE

⚠ PRECAUCIÓN:

- Asegúrese siempre de apagar la herramienta y extraer el cartucho de la batería antes de intentar realizar cualquier tipo de operación en la herramienta.

Cómo quitar y poner la hoja (Fig. 12)

⚠ PRECAUCIÓN:

- Cuando instale la hoja de corte de engalletadora, monte el plato interno con la cara marcada "22" orientada hacia usted.

Para quitar la hoja, afloje el tornillo de fijación y abra la cubierta de la hoja. Empuje el bloqueo del eje y afloje la tuerca de bloqueo utilizando la llave de la tuerca de bloqueo. Para instalar la hoja, monte primero el plato interno.

A continuación, monte la hoja y la tuerca de bloqueo. Apriete firmemente la tuerca de bloqueo utilizando la llave de la tuerca de bloqueo. Cierre la cubierta de la hoja y ajuste el tornillo de fijación para fijar la cubierta de la hoja.

⚠ PRECAUCIÓN:

- Utilice solamente la llave de la tuerca de bloqueo Makita provista para desmontar o instalar la hoja.
- Compruebe siempre la profundidad de la ranura después de sustituir la hoja. Vuelva a ajustar si es necesario.

Bolsa de polvo (Fig. 13)

Para colocar la bolsa de polvo, encájela en la boquilla de polvo. Si la bolsa de polvo obstaculiza su trabajo, gire la boquilla de polvo para cambiar la posición de la bolsa de polvo.

Cuando la bolsa de polvo esté medio llena, apague la herramienta y retire el cartucho de batería. Quite la bolsa de polvo de la herramienta y tire del fijador de la bolsa para quitarlo. Vacíe la bolsa de polvo golpeándola ligeramente para extraer el máximo posible de polvo.

NOTA:

- Si conecta un aspirador Makita a su engalletadora, podrá realizar operaciones más eficaces y limpias.

OPERACIÓN

Cómo hacer juntas

⚠ ADVERTENCIA:

- Sujete siempre la pieza de trabajo al banco de trabajo antes de cada operación. (Fig. 14 y 15)

Junta de esquina (Fig. 16, 17 y 18)

Junta en "T" (Fig. 19, 20 y 21)

Junta de escuadra (Fig. 22 y 23)

Junta de marco (Fig. 24 y 25)

Junta lateral (Fig. 26 y 27)

Para hacer juntas, proceda de la siguiente manera:

1. Ajuste las dos piezas de trabajo tal como aparecerán en la posición conjunta acabada.
2. Marque con un lápiz el centro de las ranuras que pretenda hacer en las galletas de la pieza de trabajo.

NOTA:

- El centro de las ranuras debería estar, como mínimo, a 50 mm del borde exterior de las piezas de trabajo.
 - Deje entre 100 y 150 mm entre las ranuras en aplicaciones de galletas múltiples.
3. **Sólo para la junta de esquina y la junta en "T"**
Sujete la pieza vertical de trabajo al banco de trabajo.
Sólo para la junta de escuadra
Sujete una pieza de trabajo en el banco de trabajo con el borde ingleteado orientado hacia arriba.
Sólo para la junta de marco y la junta lateral
Sujete una pieza de trabajo al banco de trabajo.
 4. Ajuste la profundidad de la ranura de acuerdo con el tamaño de la galleta a utilizar. Consulte la tabla en la sección "Ajuste de la profundidad de la ranura".
 5. Ajuste la altura de la guía de ángulo de modo que la hoja esté centrada en el grosor de la tabla.
 6. Alinee la marca central de la base con la línea trazada a lápiz en la pieza de trabajo.
 7. Conecte la herramienta y empújela suavemente hacia delante para extender la hoja hacia la pieza de trabajo.
 8. Devuelva la herramienta suavemente a la posición original después de que el tornillo de ajuste llegue al tope.
 9. **Sólo para la junta de esquina y la junta en "T"**
Sujete la pieza horizontal de trabajo al banco de trabajo.
Sólo para la junta de escuadra
Sujete la otra pieza de trabajo en el banco de trabajo con el borde ingleteado orientado hacia arriba.
Sólo para la junta de marco y la junta lateral
Sujete la otra pieza de trabajo al banco de trabajo.
 10. **Sólo para la junta de esquina**
Coloque la herramienta sobre la pieza de trabajo de manera que la hoja quede orientada hacia abajo.
Sólo para la junta en "T"
Retire de la herramienta la guía de ángulo. Coloque la herramienta sobre la pieza de trabajo de manera que la hoja quede orientada hacia abajo.
 11. Repita los pasos 6 – 8 para ranurar en la horizontal o la otra pieza de trabajo.

Si no necesita centrar la hoja en el grosor de la tabla, proceda de la siguiente manera:

Sólo para la junta de esquina, la junta de escuadra, la junta de marco y la junta lateral

- Retire la guía de ángulo de la herramienta. Seleccione la inclinación de la escuadra en 90° para la junta de esquina, la junta de marco y la junta lateral, o a 45° para la junta de escuadra.
- Siga los pasos 1 – 11 excluyendo los pasos 5 y 10 descritos anteriormente.

Sólo para la junta en “T”

- Fije las dos piezas de trabajo de la manera como aparecerán en la posición conjunta final.
- Coloque la pieza de trabajo vertical sobre la horizontal. Sujete las dos piezas al banco de trabajo.
- Retire la guía de ángulo de la herramienta.
- Siga los pasos 2, 4, 6, 7, 8 y 11 descritos anteriormente.

MANTENIMIENTO

⚠ PRECAUCIÓN:

- Asegúrese de apagar siempre la herramienta y extraer el cartucho de la batería antes de intentar realizar cualquier trabajo de inspección o mantenimiento en ella.
- No utilice nunca gasolina, bencina, disolvente, alcohol o similares. Podría producir descolocación, deformación o grietas.

La herramienta y sus aberturas de ventilación han de mantenerse limpias. Limpie las aberturas de ventilación regularmente o siempre que comiencen a estar obstruidas. (Fig. 28)

Sustitución de las escobillas de carbón

Extraiga y compruebe las escobillas de carbón regularmente. Reemplácelas cuando se gasten hasta la marca de límite. Mantenga las escobillas de carbón limpias y de forma que entren libremente en los portaescobillas. Ambas escobillas de carbón deberán ser reemplazadas al mismo tiempo. Utilice únicamente escobillas de carbón idénticas. (Fig. 29)

Inserte el extremo superior del destornillador de punta plana en la muesca de la herramienta y extraiga la cubierta de la tapa del portaherramientas tirando hacia arriba de ella. (Fig. 30)

Utilice un destornillador para extraer las tapas de los portaescobillas. Saque las escobillas de carbón desgastadas, inserte las nuevas y cierre las tapas de los portaescobillas. (Fig. 31)

Vuelva a colocar la tapa del portaherramientas en la herramienta.

Para conservar la SEGURIDAD y la FIABILIDAD del producto, los trabajos de reparación y otros trabajos de mantenimiento y ajuste deberán ser realizados en centros de servicio autorizados de Makita, utilizando siempre repuestos Makita.

ACCESORIOS OPCIONALES

⚠ PRECAUCIÓN:

- Estos accesorios o acoplamientos están recomendados para utilizar con la herramienta Makita especificada en este manual. El empleo de otros accesorios o acoplamientos conllevará un riesgo de sufrir heridas personales. Utilice los accesorios o acoplamientos solamente para su fin establecido.

Si necesita cualquier ayuda para más detalles en relación con estos accesorios, pregunte al centro de servicio Makita local.

- Guía de ángulo
- Bolsa de polvo
- Placa de ajuste
- Llave de la tuerca de bloqueo
- Hojas de corte de engalletadora
- Batería y cargador genuinos de Makita

NOTA:

- Algunos elementos de la lista podrán estar incluidos en el paquete de la herramienta como accesorios estándar. Pueden variar de un país a otro.

ENG905-1

Ruido

El nivel de ruido A-ponderado típico determinado de acuerdo con la norma EN60745:

Modelo DPJ140

Nivel de presión sonora (L_{pA}): 73 dB (A)

Error (K): 3 dB (A)

El nivel de ruido en condiciones de trabajo puede que sobrepase los 80 dB (A).

Modelo DPJ180

Nivel de presión sonora (L_{pA}): 74 dB (A)

Error (K): 3 dB (A)

El nivel de ruido en condiciones de trabajo puede que sobrepase los 80 dB (A).

Póngase protectores en los oídos

ENG900-1

Vibración

El valor total de la vibración (suma de vectores triaxiales) determinado de acuerdo con la norma EN60745:

Modo tarea: realización de ranuras en MDF

Emisión de vibración (a_{h1}): 2,5 m/s² o menos

Error (K): 1,5 m/s²

ENG901-1

- El valor de emisión de vibración declarado ha sido medido de acuerdo con el método de prueba estándar y se puede utilizar para comparar una herramienta con otra.
- El valor de emisión de vibración declarado también se puede utilizar en una valoración preliminar de exposición.

⚠ ADVERTENCIA:

- La emisión de vibración durante la utilización real de la herramienta eléctrica puede variar del valor de emisión declarado dependiendo de las formas en las que la herramienta sea utilizada.
- Asegúrese de identificar medidas de seguridad para proteger al operario que estén basadas en una estimación de la exposición en las condiciones reales de utilización (teniendo en cuenta todas las partes del ciclo operativo tal como las veces cuando la herramienta está apagada y cuando está funcionando en vacío además del tiempo de gatillo).

DECLARACIÓN CE DE CONFORMIDAD

Para países europeos solamente

La declaración CE de conformidad está incluida como Anexo A de esta manual de instrucciones.

Explicação geral

1 Botão	15 Desapertar	27 Brida interior
2 Indicador vermelho	16 Para baixo	28 Parafuso de grampo
3 Bateria	17 Para cima	29 Bloqueio do veio
4 Marcação de estrela	18 Centro da espessura da lâmina	30 Saco do pó
5 Luz indicadora	19 Esquadria	31 Fecho
6 Indicador	20 Escala do ângulo	32 Bocal do pó
7 Batente	21 Cobertura, protecção do disco	33 Orifício de saída de ar
8 Parafuso de ajuste	22 Placa de apoio	34 Orifício de entrada de ar
9 Cravo de borracha	23 Espessura da placa de apoio	35 Marca limite
10 Alavanca de bloqueio	24 Interruptor deslizante	36 Cobertura da tampa do portaescovas
11 Guia angular	25 Porca de fixação	37 Chave de parafusos
12 Manipulo	26 Disco fresadora de junção	38 Tampa do porta-escovas
13 Escala		
14 Apertar		

ESPECIFICAÇÕES

Modelo	DPJ140	DPJ180
Tipo de disco	Fresadora de junção	
Profundidade máx. da ranhura	20 mm	
Velocidade em vazio (min ⁻¹)	6.500	
Comprimento total	351 mm	
Peso líquido	3,0 kg	
Voltagem nominal	CC 14,4 V	CC 18 V

- Devido a um programa contínuo de pesquisa e desenvolvimento, estas especificações podem ser alteradas sem aviso prévio.
- As especificações e a bateria podem diferir de país para país.
- Peso, com a bateria, de acordo com o Procedimento 01/2003 da EPTA (European Power Tool Association)

ENE013-1

Utilização pretendida

Esta ferramenta foi concebida para cortar ranhuras em forma de meia-lua para colocação de cavilhas planas de madeira ou "lamelas" com uma acção penetrante.

GEA010-1

Avisos gerais de segurança para ferramentas eléctricas

⚠ AVISO! Leia todos os avisos de segurança e todas as instruções. O não cumprimento de todos os avisos e instruções pode originar choque eléctrico, incêndio e/ou ferimentos graves.

Guarde todos os avisos e instruções para futuras referências.

GEB093-1

AVISOS DE SEGURANÇA PARA A FRESADORA DE JUNÇÃO A BATERIA

1. **As lâminas devem estar calibradas pelo menos à velocidade indicada na ferramenta.** As lâminas a rodarem a velocidade superior a nominal podem soltar-se e causarem danos graves.
2. **Use sempre o resguardo.** O resguardo protege o operador de fragmentos da lâmina partidos e de contacto intencional com a lâmina.

3. **Utilize apenas os discos especificados para esta ferramenta.**
4. **Nunca utilize a ferramenta com o disco preso em posição exposta ou sem a protecção do disco colocada e fixa correctamente no seu lugar.**
5. **Certifique-se de que o disco desliza com facilidade antes de o utilizar.**
6. **Verifique se os discos apresenta fissuras ou danos, antes de o utilizar. Substitua imediatamente uns discos danificados ou com fissuras.**
7. **Certifique-se de que a brida encaixa correctamente no orifício do veio, quando colocar o disco.**
8. **Verifique se há pregos ou quaisquer outros materiais na peça de trabalho e retire-os antes de utilizar a ferramenta.**
9. **Coloque sempre as peças a serem trabalhadas sobre uma bancada bem nivelada e estável.**
10. **Fixe bem as peças a serem trabalhadas, com um grampo ou torno.**
11. **NUNCA use luvas quando utilizar a ferramenta.**
12. **Segure a ferramenta firmemente com as duas mãos.**
13. **Mantenha as mãos e o corpo afastados da área de ranhurar.**
14. **Ponha a ferramenta a funcionar durante algum tempo tendo o cuidado de não apontar o disco para ninguém. Verifique se o disco vibra ou oscila, o que pode significar que está mal instalado ou desequilibrado.**
15. **Nunca ponha as mãos por baixo das peças que estão a ser trabalhadas enquanto o disco estiver a girar.**
16. **Nunca abandone a ferramenta em funcionamento.**

17. Certifique-se sempre de que a ferramenta está desligada e a bateria retirada antes de efectuar quaisquer ajustes ou substituir o disco.
18. Alguns materiais contêm químicos que podem ser tóxicos. Tenha cuidado para evitar inalação de pó e contacto com a pele. Cumpra os dados de segurança do fornecedor do material.
19. Não use lâminas rombas ou estragadas.
20. Não utilize a ferramenta com protectores estragados.

GUARDE ESTAS INSTRUÇÕES.

⚠ AVISO:

NÃO permita que conforto ou familiaridade com o produto (adquirido com o uso repetido) substitua a aderência estrita às regras de segurança da ferramenta. MÁ INTERPRETAÇÃO ou não seguimento das regras de segurança estabelecidas neste manual de instruções pode causar danos pessoais sérios.

ENC007-8

IMPORTANTES INSTRUÇÕES DE SEGURANÇA

PARA A BATERIA

1. Antes de utilizar a bateria, leia todas as instruções e etiquetas de precaução no (1) carregador de bateria (2) bateria e (3) produto que utiliza a bateria.
2. Não abra a bateria.
3. Se o tempo de funcionamento se tornar excessivamente curto, pare o funcionamento imediatamente. Pode resultar em sobreaquecimento, possíveis queimaduras e mesmo explosão.
4. Se entrar electrólito nos seus olhos, lave-os com água e consulte imediatamente um médico. Pode resultar em perda de visão.
5. Não corte-circuite a bateria:
 - (1) Não toque nos terminais com qualquer material condutor.
 - (2) Evite guardar a bateria juntamente com outros objectos metálicos tais como pregos, moedas, etc.
 - (3) Não exponha a bateria à água ou chuva. Um curto-circuito pode ocasionar um enorme fluxo de corrente, sobreaquecimento, possíveis queimaduras e mesmo estragar-se.
6. Não guarde a ferramenta e a bateria em locais onde a temperatura pode atingir ou exceder 50°C.
7. Não queime a bateria mesmo que esteja estragada ou completamente gasta. A bateria pode explodir no fogo.
8. Tenha cuidado para não deixar cair ou dar pancadas na bateria.
9. Não utilize uma bateria danificada.
10. Siga os seus regulamentos locais relativos à eliminação da bateria.

GUARDE ESTAS INSTRUÇÕES.

Conselhos para manter a máxima vida útil da bateria

1. Carregue a bateria antes que esteja completamente descarregada.
Pare sempre o funcionamento da ferramenta e carregue a bateria quando notar menos poder na ferramenta.
2. Nunca carregue uma bateria completamente carregada. Carregamento excessivo diminui a vida útil da bateria.
3. Carregue a bateria à temperatura ambiente de 10°C – 40°C. Deixe que uma bateria quente arrefeça antes de a carregar.
4. Carregue a bateria uma vez a cada seis meses se não for utilizá-la por um longo período de tempo.

DESCRIÇÃO DO FUNCIONAMENTO

⚠ PRECAUÇÃO:

- Certifique-se sempre de que a ferramenta está desligada e que a bateria foi removida antes de proceder a ajustes ou testar acessórios.

Instalar ou retirar o cartucho da bateria (Fig. 1)

⚠ PRECAUÇÃO:

- Desligue sempre a ferramenta antes de instalar ou retirar o cartucho da bateria.
- **Segure firmemente na ferramenta e no cartucho da bateria quando instalar ou retirar o cartucho da bateria.** Se não segurar firmemente na ferramenta e no cartucho da bateria pode dar origem a que escorreguem das suas mãos e daí resultar danos para a ferramenta e para o cartucho da bateria e ferimentos corporais.

Para retirar o cartucho da bateria, deslize-o da ferramenta enquanto desliza o botão na parte da frente do cartucho.

Para instalar o cartucho da bateria, alinhe a lingueta no cartucho da bateria com o entalhe na caixa e deslize-o para o lugar. Inspira-o por completo até bloquear no lugar com um pequeno estalido. Se conseguir ver o indicador vermelho no lado superior do botão, não está bloqueado completamente.

⚠ PRECAUÇÃO:

- Instale sempre o cartucho da bateria por completo até o indicador vermelho não ser visto. Se isso não acontecer, pode cair acidentalmente da ferramenta, causando-lhe ferimentos a si ou alguém perto de si.
- Não instale o cartucho da bateria fazendo força. Se o cartucho não deslizar facilmente, não está a ser inserido correctamente.

Sistema de protecção da bateria (Fig. 2)

A ferramenta está equipada com um sistema de protecção da bateria. Este sistema corta automaticamente a corrente ao motor para aumentar a duração da bateria. A ferramenta pára automaticamente durante a operação se a ferramenta e/ou a bateria estiverem sujeitas a uma das seguintes condições:

- Sobrecarga:
A ferramenta é operada de modo que a obriga a puxar uma corrente anormalmente elevada.
Nesta situação, desligue a ferramenta e pare a aplicação que provocou a sobrecarga da ferramenta.
Em seguida, ligue a ferramenta para reiniciar.

Se a ferramenta não iniciar, a bateria sobreaqueceu. Nesta situação, deixe a bateria arrefecer antes de voltar a ligar a ferramenta.

• **Tensão baixa da bateria:**

A capacidade restante da bateria é demasiada baixa e a ferramenta não funcionará. Nesta situação, retire e recarregue a bateria.

NOTA:

- A proteção de sobreaquecimento funciona apenas com um cartucho de bateria com uma marca de estrela.

Luz indicadora com várias funções (Fig. 3)

As luzes indicadoras estão localizadas em duas posições.

Quando a bateria é colocada na ferramenta com o interruptor deslizando na posição "O (OFF)", a luz indicadora pisca rapidamente durante cerca de um segundo. Se não piscar, a bateria ou luz indicadora estão avariadas.

– **Protecção contra sobrecarga**

- Sempre que a ferramenta estiver com sobrecarga, a luz indicadora acende-se. Sempre que a carga na ferramenta for reduzida, a luz apaga-se.
- Se a ferramenta continuar com sobrecarga e a luz indicadora continuar a acender-se durante cerca de dois segundos, a ferramenta pára. Isto evita que o motor e respectivas peças fiquem danificadas.
- Neste caso, para ligar novamente a ferramenta, mova o interruptor deslizando para a posição "O (OFF)" uma vez e, depois, para a posição "I (ON)".

– **Sinal de substituição da bateria**

- Quando a capacidade da bateria é reduzida, a luz indicadora acende-se durante a utilização da ferramenta quando ainda existe capacidade de bateria suficiente.

– **Função preventiva de arranque accidental**

- Mesmo que a bateria esteja colocada na ferramenta com o interruptor deslizando na posição "I (ON)", a ferramenta não liga. Nesta altura, a luz pisca lentamente, o que é indicativo de que a função preventiva de arranque accidental se encontra activada.

- Para ligar a ferramenta, mova o interruptor deslizando para a posição "O (OFF)" uma vez e, depois, para a posição "I (ON)".

Regulação da profundidade da ranhura (Fig. 4)

Podem ser pré-definidas 6 profundidades da ranhura de acordo com a dimensão da "lamela" a ser utilizada.

Consulte a tabela abaixo para verificar a correspondência entre as dimensões marcadas no batente e a medida da lamela. Os ajustes de precisão à profundidade da ranhura podem ser feitos rodando o parafuso de ajuste depois de ter desapertado a porca sextavada. Isto pode ser necessário depois da lâmina ter sido afiada algumas vezes.

Dimensão no batente	0	10	20	S	D	MAX.
Dimensão da "lamela"	0	10	20	—	—	—
Profundidade da ranhura	8 mm	10 mm	12,3 mm	13 mm	14,7 mm	20 mm*

* Sem os cravos de borracha.

Guia angular (Fig. 5 e 6)

A altura da guia angular pode ser deslocada para cima e para baixo para ajustar a posição do disco em relação à parte superior da peça de trabalho.

Para regular a altura da guia angular, desaperte a alavanca de bloqueio e rode o manípulo até que o indicador aponte para a escala de graduação desejada marcada na guia angular.

Em seguida aperte a alavanca de bloqueio para fixar a guia angular. A escala indica a distância que vai do topo da peça de trabalho até ao centro da espessura do disco.

A guia angular é removível da esquadria segundo as necessidades do trabalho a realizar. Para retirar a guia angular, desaperte a alavanca de bloqueio e rode o manípulo para a direita até que saia da extremidade superior da esquadria.

Esquadria (Fig. 7 e 8)

NOTA:

- Retire a guia angular segundo a necessidade do trabalho a realizar quando utiliza a ferramenta com a regulação do ângulo da esquadria diferente de 0°. Se precisar utilizar a guia angular nas condições acima, certifique-se de regula a profundidade da ranhura para obter uma profundidade adequada.

O ângulo da esquadria pode ser regulado de 0° e 90° (com posicionamento mecânico em 0°, 45° e 90°). Para regular o ângulo, desaperte a alavanca de bloqueio e incline a esquadria até o indicador mostrar a graduação desejada na escala de ângulos. Depois aperte a alavanca de bloqueio para fixar a esquadria. Quando a esquadria estiver colocada a 90°, tanto a distância entre o centro da espessura do disco à esquadria como à extremidade inferior da base será de 10 mm.

Placa de apoio (Fig. 9 e 10)

Utilize a placa de apoio como indicado na Fig. 9 e 10 quando cortar ranhuras em peça de trabalho finas.

Ação do interruptor (Fig. 11)

⚠ PRECAUÇÃO:

- Antes de instalar a bateria na ferramenta, verifique sempre se o interruptor deslizando está a funcionar correctamente e se volta à posição "OFF" quando é premeida a parte de trás do interruptor deslizando.
- O interruptor pode ser bloqueado na posição "ON" para conforto do operador durante a utilização prolongada. Tenha cuidado ao bloquear a ferramenta na posição "ON" e segure-a com firmeza.

Para iniciar a ferramenta, deslize o interruptor deslizando para a posição "I (ON)". Para operação contínua, pressione a parte da frente do interruptor para o prender.

Para parar a ferramenta, pressione a parte traseira do interruptor deslizando, e depois deslize-o para a posição "O (OFF)".

–

ASSEMBLAGEM

⚠ PRECAUÇÃO:

- Certifique-se sempre de que a ferramenta está desligada e a bateria removida, antes de efectuar qualquer operação na ferramenta.

Retirar ou montar o disco (Fig. 12)

⚠️ PRECAUÇÃO:

- Ao montar o disco da fresadora de junção, instale a brida interior com o lado marcado "22" virado para si.

Para retirar o disco, desaperte o parafuso de grampo e abra a cobertura do disco. Empurre o bloqueio do veio e desaperte a porca de fixação utilizando uma chave de porcas. Para montar o disco, comece por instalar a brida interior.

A seguir, monte o disco e a porca de fixação. Aperte bem a porca de fixação utilizando a chave de porcas. Feche a cobertura do disco e aperte o parafuso de grampo para fixá-la bem.

⚠️ PRECAUÇÃO:

- Utilize só a chave de porcas da Makita fornecida para retirar ou colocar o disco.
- Verifique sempre a profundidade da ranhura depois de substituir o disco. Reajuste se necessário.

Saco do pó (Fig. 13)

Para colocar o saco do pó, encaixe-o no bocal do pó. Se o saco do pó se tornar um obstáculo para o seu trabalho, rode o bocal para mudar a posição do saco do pó.

Quando o saco do pó estiver meio cheio, desligue a ferramenta e retire a bateria. Retire o saco do pó da ferramenta e puxe o fecho para fora. Esvazie o saco do pó dando-lhe pequenas pancadas para retirar a maior quantidade possível de pó.

NOTA:

- Se ligar um fresadora de junção Makita à ferramenta pode executar operações mais eficientes e limpas.

OPERAÇÃO

Como fazer junções

⚠️ AVISO:

- Prensada sempre a peça de trabalho à bancada com um grampo antes de cada operação. (Fig. 14 e 15)

Junção de canto (Fig. 16, 17 e 18)

Junção em T (Fig. 19, 20 e 21)

Junção de meia esquadria (Fig. 22 e 23)

Junção em moldura (Fig. 24 e 25)

Junção aresta-a-aresta (Fig. 26 e 27)

Para fazer junções, proceda da seguinte forma:

1. Encaixe as duas peças de trabalho na posição em que elas irão ficar depois de pronta a junção.
2. Com um lápis, marque na peça de trabalho o centro da ranhura da "lamela" pretendida.

NOTA:

- O centro das ranhuras deve situar-se a pelo menos 50 mm da aresta exterior da peça de trabalho.
- Deixe um espaço de 100 mm a 150 mm entre a ranhura no caso de se tratar de uma peça para aplicação de "lamelas" múltiplas.

3. Apenas para junção de canto e junção em T

Fixe a peça de trabalho vertical à bancada com um grampo.

Apenas para junção de meia esquadria

Prensada uma peça de trabalho à bancada com a face em meia esquadria virada para cima.

Apenas para junção em moldura e junção aresta-a-aresta

Fixe uma peça de trabalho à bancada com um grampo.

4. Regule a profundidade da ranhura de acordo com a dimensão da lamela que vai utilizar. Refira-se à tabela na secção "Regulação da profundidade da ranhura".
5. Regule a altura da guia angular de forma a que o disco fique centrado em relação à espessura da peça de trabalho.
6. Alinhe a marca central da base com a linha traçada a lápis na peça de trabalho.
7. Ligue a ferramenta e empurre-a suavemente para a frente de maneira a fazer o disco penetrar na peça de trabalho.
8. Volte a colocar a ferramenta na posição original quando o parafuso de ajuste tocar o batente.

9. Apenas para junção de canto e junção em T

Fixe a peça de trabalho horizontal à bancada com um grampo.

Apenas para junção de meia esquadria

Prensada a outra peça de trabalho à bancada com a face em meia esquadria virada para cima.

Apenas para junção em moldura e junção aresta-a-aresta

Fixe a outra peça de trabalho à bancada com um grampo.

10. Apenas para junção de canto

Coloque a ferramenta sobre a peça de trabalho de forma a que o disco fique virado para baixo.

Apenas para junção em T

Retire a guia angular da ferramenta. Coloque a ferramenta sobre a peça de trabalho de forma a que o disco fique virado para baixo.

11. Repita os passos 6 a 8 para abrir ranhura na peça de trabalho horizontal ou vertical.

Se não necessitar de centrar o disco em relação à espessura da peça de trabalho, proceda da seguinte forma:

Apenas para junção de canto, junção de meia-esquadria, junção em moldura e junção aresta-a-aresta

- Retire da ferramenta a guia angular. Coloque esquadria a 90° para junção de canto, junção em moldura e junção aresta-a-aresta, ou 45° para junção de meia-esquadria.
- Siga os passos 1 a 11 descritos acima, exceptuando os passos 5 e 10.

Apenas para junção em T

- Ajuste as duas peças na posição em que elas irão ficar depois de pronta a junção.
- Coloque a peça vertical sobre a horizontal. Fixe-as à bancada com um grampo.
- Retire da ferramenta a guia angular.
- Siga os passos 2, 4, 6, 7, 8 e 11 descritos acima.

MANUTENÇÃO

PRECAUÇÃO:

- Certifique-se sempre de que a ferramenta está desligada e a bateria removida antes de efectuar operações de inspecção ou de manutenção.
- Nunca utilize gasolina, benzina, diluente, álcool ou produtos semelhantes. Pode ocorrer a descoloração, deformação ou rachaduras.

A ferramenta e os orifícios de ventilação devem estar sempre limpos. Limpe os orifícios de ventilação regularmente e sempre que começarem a ficar obstruídos. (Fig. 28)

Substituição das escovas de carvão

Remova e verifique regularmente as escovas de carvão. Substitua-as quando o desgaste atingir a marca limite. Mantenha-as limpas para poderem deslizar no porta-escovas. Substitua as duas ao mesmo tempo. Utilize unicamente escovas de carvão idênticas. (Fig. 29)

Insira a ponta de uma chave de parafusos fendada no entalhe da ferramenta e retire a cobertura da tampa do porta-escovas, levantando-a. (Fig. 30)

Utilize uma chave de parafusos para remover as tampas do porta-escovas. Retire as escovas usadas, coloque umas novas e fixe as tampas do porta-escovas. (Fig. 31)

Volte a instalar a cobertura da tampa do porta-escovas na ferramenta.

Para manter os níveis de SEGURANÇA e FIABILIDADE definidos para este produto, as reparações e os procedimentos de manutenção ou ajustes devem ser executados por centros de assistência Makita autorizados, utilizando sempre peças de substituição Makita.

ACESSÓRIOS OPCIONAIS

PRECAUÇÃO:

- Estes acessórios ou acoplamentos são os recomendados para uso na ferramenta Makita especificada neste manual. A utilização de quaisquer outros acessórios ou acoplamento poderá ser perigosa para o operador. Os acessórios ou acoplamentos devem ser utilizados de maneira adequada e apenas para os fins a que se destinam.

No caso de necessitar ajuda para mais detalhes sobre estes acessórios, consulte ao departamento de assistência local da Makita.

- Guia angular
- Saco do pó
- Placa de apoio
- Chave de porcas
- Discos da fresadora de junção
- Bateria e carregador genuínos da Makita

NOTA:

- Alguns itens da lista podem estar incluídos na embalagem da ferramenta como acessórios padrão. Eles podem variar de país para país.

Ruído

A característica do nível de ruído A determinado de acordo com EN60745:

Modelo DPJ140

Nível de pressão de som (L_{pA}): 73 dB (A)

Variabilidade (K): 3 dB (A)

O nível de ruído durante o trabalho pode exceder 80 dB (A).

Modelo DPJ180

Nível de pressão de som (L_{pA}): 74 dB (A)

Variabilidade (K): 3 dB (A)

O nível de ruído durante o trabalho pode exceder 80 dB (A).

Utilize protectores para os ouvidos

ENG900-1

Vibração

O valor total da vibração (soma vectorial tri-axial) determinado de acordo com EN60745:

Modo de funcionamento: cortar ranhuras em MDF

Emissão de vibração (a_{hv}): 2,5 m/s² ou inferior

Variabilidade (K): 1,5 m/s²

ENG901-1

- O valor da emissão de vibração indicado foi medido de acordo com o método de teste padrão e pode ser utilizado para comparar duas ferramentas.
- O valor da emissão de vibração indicado pode também ser utilizado na avaliação preliminar da exposição.

AVISO:

- A emissão de vibração durante a utilização real da ferramenta eléctrica pode diferir do valor de emissão indicado, dependendo das formas como a ferramenta é utilizada.
- Certifique-se de identificar as medidas de segurança para protecção do operador que sejam baseadas em uma estimativa de exposição em condições reais de utilização (considerando todas as partes do ciclo de operação, tal como quando a ferramenta está desligada e quando está a funcionar em marcha lenta além do tempo de accionamento).

DECLARAÇÃO DE CONFORMIDADE DA CE

Apenas para os países europeus

A declaração de conformidade da CE está incluída como Anexo A neste manual de instruções.

Illustrationsoversigt

1 Knap	14 Stram	27 Indre flange
2 Rød indikator	15 Løsn	28 Klemskrue
3 Batteripakke	16 Ned	29 Skæftlås
4 Stjernemærke	17 Op	30 Støvpose
5 Indikatorlampe	18 Midten af bladets tykkelse	31 Lukke
6 Viser	19 Beskyttelsesplade	32 Sugestuds
7 Spærre	20 Vinkelskala	33 Udstødsåbning
8 Justeringsskrue	21 Savbladsafdækning	34 Indsugningsåbning
9 Gummispids	22 Bundplade	35 Slidgrænse
10 Låshåndtag	23 Bundpladens tykkelse	36 Holderdæksel
11 Vinkelguide	24 Glideafbryder	37 Skruetrækker
12 Greb	25 Låsmøtrik	38 Kulholderdæksel
13 Skala	26 Universalfræserblad	

SPECIFIKATIONER

Model	DPJ140	DPJ180
Type blad	Universalfræser	
Maks. rilledybde	20 mm	
Omdrejninger (min ⁻¹)	6 500	
Længde	351 mm	
Nettovægt	3,0 kg	
Nominel spænding	14,4 V DC	18 V DC

- På grund af vores kontinuerlige forskningsprogrammer og udvikling, kan hosstående specifikationer blive ændret uden varsel.
- Specifikationer og akku kan variere fra land til land.
- Vægt inklusive akku, i henhold til EPTA-Procedure 01/2003

ENE013-1

Brugsformål

Maskinen er beregnet til skæring af halvmåneformede sprækker til placering af flade trædyveler eller tappe ved en stemplende handling.

GEA010-1

Almindelige sikkerhedsregler for el-værktøj

⚠ ADVARSEL! Læs alle sikkerhedsadvarsler og alle sikkerhedsinstruktioner. Hvis nedenstående advarsler og instruktioner ikke overholdes, kan resultatet blive elektrisk stød, brand og/eller alvorlig personskade.

Gem alle advarsler og instruktioner til fremtidig reference.

GEB093-1

SIKKERHEDSADVARSLER FOR AKKU-UNIVERSALFRÆSER

1. **Bladene skal være beregnede til mindst den hastighed, som er angivet på maskinen.** Blade, som kører over den godkendte hastighed, kan løse sig og være årsag til tilskadekomst.
2. **Anvend altid skærmen.** Skærmen yder operatøren beskyttelse mod brækkede bladfragmenter og utilsigtet kontakt med bladet.
3. **Benyt kun værktøj der er godkendt til denne maskine.**

4. **Brug aldrig maskinen med værktøjet fastlåst i en position foran værktøjsafdækningen eller uden værktøjsafdækningen.**
5. **Kontroller at værktøjet kører uden vibrationer før maskinen benyttes.**
6. **Kontroller omhyggeligt, at bladene ikke har revner eller er beskadiget, inden det tages i anvendelse. Værktøj med brud eller andre skader skal omgående udskiftes.**
7. **Kontroller at flangen passer til hullet på værktøjet, når der monteres nyt værktøj.**
8. **Kontroller emner for søm, skruer og andre fremmedlegemer før arbejdet påbegyndes.**
9. **Anbring altid emnerne på et solidt arbejdsbord.**
10. **Arbejdsemnerne fastgøres forsvarligt med skruetvinge eller skruestik.**
11. **Benyt INGÉN handsker under arbejdet.**
12. **Hold maskinen fast med begge hænder.**
13. **Hold hænder og krop på god afstand af rilleområdet.**
14. **Før arbejdet påbegyndes skal maskinen køre lidt i tomgang. Vær opmærksom på vibrationer og rulling, der kan tyde på forkert montering eller et dårligt afbalanceret blad.**
15. **Hold aldrig hånden under et emne der bearbejdes.**
16. **Lad aldrig maskinen køre uden opsyn.**
17. **Sørg altid for, at der er slukket for maskinen og at akkuen er fjernet, inden der udføres nogen justeringer eller bladet skiftes ud.**
18. **En del materialer indeholder kemikalier, som kan være giftige. Sørg for at forhindre inhalering af støv og kontakt med huden. Følg fabrikantens sikkerhedsforskrifter.**
19. **Anvend ikke sløve og beskadigede blade.**

20. Anvend ikke maskinen, hvis afdækningerne er beskadigede.

GEM DENNE BRUGSANVISNING.

⚠ ADVARSEL:

LAD IKKE bekvemmelighed eller kendskab til produktet (opnået gennem gentagen brug) forhindrer, at sikkerhedsforskrifterne for produktet nøje overholdes. MISBRUG eller forsømmelse af at følge de i denne brugsvejledning givne sikkerhedsforskrifter kan føre til, at De kommer alvorligt til skade.

ENC007-8

VIGTIGE SIKKERHEDSINSTRUKTIONER

FOR AKKU

1. Læs alle instruktioner og advarselmærkater på (1) akku opladeren, (2) akku og (3) produktet, som anvender akku.
2. Lad være med at skille akkuen ad.
3. Stop straks brugen, hvis driftstiden er blevet stærkt afkortet. Fortsat anvendelse kan resultere i risiko for overophedning, forbrændinger og endog eksplosion.
4. Hvis De har fået elektrolyt i øjnene, skal De straks skylle den ud med rent vand og øjeblikkeligt søge lægehjælp. I modsat fald kan De risikere at miste synet.
5. Vær påpasselig med ikke at komme til at kortslutte akkuen:
 - (1) Rør ikke ved terminalerne med noget ledende materiale.
 - (2) Undgå at opbevare akkuen i en beholder sammen med andre genstande af metal, som for eksempel søm, mønter og lignende.
 - (3) Udsæt ikke akkuen for vand eller regn.

Kortslutning af akkuen kan være årsag til en kraftig øgning af strømmen, overophedning, mulige forbrændinger og endog maskinstop.

6. Opbevar ikke maskinen og akkuen på steder, hvor temperaturen kan nå op på eller overstige 50°C.
7. Lad være med at brænde akkuen, selv ikke i tilfælde, hvor det har lidt alvorlig skade eller er fuldstændig udtjent. Akkuen kan eksplodere, hvis man forsøger at brænde den.
8. Lad være med at brænde akkuen eller udsætte det for stød.
9. Anvend ikke en beskadiget akku.
10. Følg de lokale regler angående bortskaffelse af akkuer.

GEM DENNE BRUGSANVISNING.

Tips til opnåelse af maksimal akku-levetid

1. Oplad altid akkuen, inden den er helt afladet. Stop altid værktøjet og oplad akkuen, hvis det bemærkes, at maskineffekten er dalende.
2. Genoplad aldrig en fuldt opladet akku. Overoplading vil afkorte akkuens levetid.
3. Oplad akkuen ved en rumtemperatur på 10°C – 40°C. Lad altid en varm akku få tid til at køle af, inden den oplades.
4. Oplad akkuen en gang hver sjette måned, hvis den ikke anvendes i et længere tidsrum.

FUNKTIONSBESKRIVELSE

⚠ FORSIGTIG:

- Sørg altid for, at værktøjet er slukket, og at batteripakken er taget ud, før De justerer værktøjet eller kontrollerer dets funktion.

Montering og afmontering af akkuen (Fig. 1)

⚠ FORSIGTIG:

- Sluk altid for værktøjet, inden De installerer eller fjerner akkuen.
- Hold godt fast i værktøjet og akkuen, når akkuen installeres eller fjernes. Forsømmelse af at holde maskinen og akkuen fast kan bevirke, at de glider af hænde med beskadigelse af maskinen og akkuen og tilskadekomst til følge.

For at fjerne akkuen, skal man skyde den fra værktøjet, idet man skyder knappen på forsiden af akkuen i stilling. For at installere akkuen, skal man sætte tungen på akkuen ud for rillen i huset og skyde den på plads. Sæt den hele vejen ind, så den låses på plads med et lille klik. Hvis den røde indikator på oversiden af knappen er synlig, betyder det, at den ikke er helt låst.

⚠ FORSIGTIG:

- Sæt altid akkuen helt ind, så den røde indikator ikke kan ses. Hvis den ikke er sat helt ind, kan den ved et uheld falde ud af værktøjet, hvorved omkringstående eller De selv kan komme til skade.
- Sæt ikke akkuen i med magt. Hvis akkuen ikke glider nemt på plads, betyder det, at den ikke sættes korrekt i.

Akkubeskyttelsessystem (Fig. 2)

Maskinen er udstyret med et akkubeskyttelsessystem. Dette system afbryder automatisk strømmen til motoren, så akkuens levetid forlænges.

Maskinen vil automatisk stoppe under anvendelsen, hvis maskinen og/eller akkuen er i en af de følgende tilstande:

- Overbelastet:

Maskinen køres på en måde, der bevirker, at den forbruger en unormalt høj strøm.

I denne situation skal De slukke for maskinen og stoppe den anvendelse, der førte til overbelastning af maskinen. Tænd derefter for maskinen for at starte den igen.

Hvis maskinen ikke starter, er det fordi akkuen er overophedet. I denne situation skal De lade akkuen køle af, inden De tænder for maskinen igen.
- Lav akku-spænding:

Den tilbageværende akku-kapacitet er for lav og maskinen vil ikke køre. Fjern i dette tilfælde akkuen og oplad den.

BEMÆRK:

- Overophedningsbeskyttelsen fungerer kun med en akku med stjernemærke.

Indikatorlampe med multifunktion (Fig. 3)

Indikatorlamperne er placeret to steder.

Når batteripakken sættes i værktøjet med glidekontakten i stillingen "O (OFF)", blinker indikatorlampen hurtigt i cirka et sekund. Hvis den ikke blinker, er batteripakken eller indikatorlampen i stykker.

– Overbelastningsbeskyttelse

- Indikatorlampen tændes, når værktøjet er overbelastet. Lampen slukkes igen, når belastningen af værktøjet reduceres.

- Hvis værktøjet forbliver overbelastet, og indikatorlampen er tændt i cirka to sekunder, stopper værktøjet. Dette forebygger beskadigelse af motoren og de tilhørende dele.
 - Start i så fald værktøjet igen, skub glidekontakten til stillingen "O (OFF)" og derefter til stillingen "I (ON)".
- Signal for udskiftning af batteripakke**
- Når den resterende batterikapacitet bliver lille, tændes indikatorlampen under brug tidligere, end når der er tilstrækkelig kapacitet.
- Funktion til forhindring af genstart ved et uheld**
- Værktøjet starter ikke, hvis batteripakken indsættes i værktøjet med glidekontakten i stillingen "I (ON)". I så fald blinker lampen langsomt. Dette viser, at funktionen til forhindring af genstart ved et uheld er aktiveret.
 - For at starte værktøjet skal De først skubbe glidekontakten til stillingen "O (OFF)" og derefter til stillingen "I (ON)".

Justering af dybden af rille (Fig. 4)

Der kan indstilles 6 forskellige rilledybder i henhold til størrelsen af den tap, som skal anvendes, eller ved tilskæring af væg- eller loftspaneler som forklaret senere. Se i nedenstående tabel for at sammenhængen mellem de markerede størrelser på stopperen og tapstørrelsen. Finjustering af rilledybden kan gennemføres ved at dreje justeringskruen efter at sekskantmøtrikken er blevet løst. Dette kan blive nødvendigt, efter at bladet er blevet skærpet et par gange.

Størrelse på stopper	0	10	20	S	D	MAX
Tapstørrelse	0	10	20	—	—	—
Dybden af rille	8 mm	10 mm	12,3 mm	13 mm	14,7 mm	20 mm*

* Med gummispidserne fjernet.

012681

Vinkelguide (Fig. 5 og 6)

Vinkelguidens højde kan flyttes op og ned for at justere bladets position i relation til det øverste af arbejdsområdet.

For at justere vinkelguidens højde, skal man løsne låshåndtaget ned og dreje greben, indtil viseren peger på det ønskede skalagraddat, som er angivet på vinkelguiden.

Stram låshåndtaget fast op igen for at spænde vinkelguiden fast. Skalaen på vinkelguiden viser afstanden fra emnets top til midten af bladykkelsen.

Vinkelguiden kan tages af anslaget alt efter arbejdets krav. For at fjerne vinkelguiden, skal man dreje greben med uret, så den kommer ud af anlages øverste ende.

Beskyttelsesplade (Fig. 7 og 8)

BEMÆRK:

- Fjern vinkelguiden i overensstemmelse med arbejdets krav, når maskinen med anslagsvinklen indstillet til andet end 0° anvendes. Hvis der er behov for at anvende vinkelguiden under ovennævnte forhold, skal man sørge for at indstille dybden af rillen til en passende dybde.

Vinklen på beskyttelsespladen kan justeres mellem 0° og 90° (med hak ved 0°, 45° og 90°). For at justere vinklen løsnes låshåndtaget og pladen hældes, indtil viseren peger på det ønskede gradtal på vinkelskalaen. Træk låshåndtaget fast igen for at spænde pladen fast. Når pladen er sat til 90°, er både afstanden fra midten af savbladykkelsen til pladen og afstanden fra midten af bladykkelsen til bundpladens bund 10 mm.

Bundplade (Fig. 9 og 10)

Benyt bundpladen som vist i Fig. 9 og 10, når der skæres noter i tynde emner.

Anvendelse af afbryder (Fig. 11)

⚠ FORSIGTIG:

- Før batteripakken installeres i værktøjet, skal De altid kontrollere, at glidekontakten reagerer korrekt og vender tilbage i stillingen "OFF", når der trykkes bag på glidekontakten.
- Afbryderen kan låses i stilling "ON" for operatørens mere bekvem betjening under længere tids brug. Udvis forsigtighed, når maskinen låses i stilling "ON" og hold godt fast i maskinen.

For at starte maskinen, skal man trykke afbryderen fremad mod stilling "I (ON)". Hvis De ønsker uafbrudt anvendelse, skal De trykke på den forreste del af glideafbryderen for at låse den.

For at stoppe maskinen, skal man trykke på den bageste del af glideafbryderen og derefter trykke den mod stilling "O (OFF)".

SAMLING

⚠ FORSIGTIG:

- Sørg altid for, at værktøjet er slukket, og at batteripakken er taget ud, før De udfører nogen form for arbejde på værktøjet.

Afmontering og montering af bladet (Fig. 12)

⚠ FORSIGTIG:

- Når der monteres et universalfæserblad skal inderflangen monteres med markeringen "22" vendende ud mod dig.

For at fjerne bladet løsnes klemskruen og savbladsafdækningen åbnes. Aktiver spindellåsen og løsn låsemøtrikken med nøglen. For korrekt montage af værktøjet skal inderflangen vende rigtigt.

Monter derefter bladet og låsemøtrikken. Spænd låsemøtrikken omhyggeligt med nøglen. Luk savbladsafdækningen og spænd klemskruen.

⚠ FORSIGTIG:

- Anvend kun den medfølgende Makita-låsemøtriknøgle til at montere og afmontere bladet.
- Kontroller altid dybden af rillen, efter at bladet er skiftet ud. Indstil igen, om nødvendigt.

Støvpose (Fig. 13)

Støvposen monteres ved at man sætter den på sugestuds. Hvis støvposen virker hindrende på arbejdet, skal De dreje sugestuds, så støvposens position ændres.

Når støvposen er omkring halvt fuld, slukkes der for maskinen, og akkuen fjernes. Tag støvposen af maskinen og træk posens lukker ud. Tøm støvposen ved at banke let på den, således at så meget af støvet som muligt tømmes ud.

BEMÆRK:

- Hvis De anvender en Makita-støvsuger til universalfæser, kan en mere effektiv og gennemgribende rengøring udføres.

ANVENDELSE

Howdan man laver forbindelser

ADVARSEL:

- Fastspænd altid arbejdsemnet til arbejdsbordet før hver arbejdsproces påbegyndes. (Fig. 14 og 15)

Hjørneforbindelse (Fig. 16, 17 og 18)

T-kolbeforbindelse (Fig. 19, 20 og 21)

Geringeforbindelse (Fig. 22 og 23)

Rammeforbindelse (Fig. 24 og 25)

Kant-til-kant-forbindelse (Fig. 26 og 27)

For at lave forbindelser, gå frem på følgende måde:

1. Sæt de to emner sammen således, som de også i sidste ende skal være samlet.
2. Markér midten af de ønskede tap-notter på emnet ved hjælp af en blyant.

BEMÆRK:

- Notmidten skal være sig mindst 50 mm fra emnernes yderkant.
 - Sørg for at der er 100 mm – 150 mm mellem notter ved anvendelse af flere tappe.
3. **Kun for hjørne- og T-kolbeforbindelse**
Spænd det lodrette emne fast til arbejdsbordet.
Kun for geringforbindelse
Fastspænd et af arbejdsemnerne til arbejdsbordet med geringskanten vendende opad.
Kun for ramme- og kant-til-kant-forbindelse
Spænd et emne fast til arbejdsbordet.
 4. Indstil dybden af rillen i overensstemmelse med størrelsen af den anvendte tap. Se tabellen i afsnittet "Justering af dybden af rille".
 5. Justér vinkelguiden så værktøjet er centreret i plade-tykkelsen.
 6. Bring centermarkeringen på bundpladen i overensstemmelse med blyantlinien på emnet.
 7. Tænd maskinen og skub den langsomt fremad for at føre savbladet ind i emnet.
 8. Før maskinen langsomt tilbage til udgangspositionen efter at justeringsskruen har nået stopperen.
 9. **Kun for hjørne- og T-kolbeforbindelse**
Spænd det vandrette emne fast til arbejdsbordet.
Kun for geringforbindelse
Fastspænd det andet arbejdsemne til arbejdsbordet med geringssiden vendende opad.
Kun for ramme- og kant-til-kant-forbindelse
Spænd det andet emne fast til arbejdsbordet.
 10. **Kun for hjørneforbindelse**
Placér maskinen på emnet med værktøjet pegende nedad.
Kun for T-kolbeforbindelse
Fjern vinkelguiden fra maskinen. Placér maskinen på emnet med værktøjet pegende nedad.
 11. Gentag trin 6 – 8 for at skære i det vandrette eller et andet arbejdsemne.

Hvis De ikke behøver at centrere savbladet i brædttykkelsen, gå frem på følgende måde:

Kun for hjørne-, gering-, ramme- og kant-til-kant-forbindelser

- Fjern vinkelguiden fra maskinen. Sæt beskyttelsespladen op til 90° for hjørneforbindelse, ramme-forbindelse eller kant-til-kant-forbindelse eller til 45° for geringforbindelse.
- Følg trin 1 – 11 undtagen trin 5 og 10 som beskrevet foroven.

For T-kolbeforbindelse

- Sæt de to emner sammen som de også i sidste ende vil være samlet.
- Læg det lodrette emne på det vandrette. Begge emnerne fastgøres til arbejdsbordet.
- Fjern vinkelguiden fra maskinen.
- Følg trin 2, 4, 6, 7, 8 og 11 som beskrevet foroven.

VEDLIGEHOJDELSE

FORSIGTIG:

- Kontrollér altid, at maskinen er slået fra, og at netstikket er trukket ud, før der udføres eftersyn eller vedligeholdelse.
- Anvend aldrig benzín, rensbenzín, fortynder, alkohol og lignende. Resultatet kan blive misfarvning, deformation eller revner.

Maskinen og dens luftåbninger skal holdes rene. Rengør med jævne mellemrum maskinens luftåbninger eller når de begynder at blive blokerede. (Fig. 28)

Udskiftning af kulbørster

Tag regelmæssigt kulbørsterne af, og efterse dem. Udskift dem, når de er nedslidt til slidgrænsen. Hold kulbørsterne rene og frie til at glide i holderne. Begge kulbørsterne skal udskiftes samtidig. Brug altid identiske kulbørster. (Fig. 29)
Sæt spidsen af skruetrækkeren med kærvspids ind i snittet i værktøjet, og fjern holderdækslet ved at løfte op i det. (Fig. 30)

Brug en skruetrækker til at fjerne kulholderdækslerne. Tag de udslidte kulbørster ud, monter de nye, og fastgør kulholderdækslerne. (Fig. 31)

Monter holderdækslet på værktøjet igen.

For at holde produktet SIKKERT og PÁLIDELIGT skal reparationer samt al anden vedligeholdelse eller justering udføres af autoriserede Makita-servicecentre, og der skal altid benyttes Makita-reservedele.

EKSTRAUDSTYR

FORSIGTIG:

- Det i denne manual specificerede tilbehør og anordninger anbefales til brug sammen med Deres Makita maskine. Brug af andet tilbehør og andre anordninger kan udgøre en risiko for personskade. Anvend kun tilbehør og anordninger til de beskrevne formål.

Hvis De behøver assistance eller yderligere detaljer om dette tilbehør, bedes De kontakte Deres lokale Makita servicecenter.

- Vinkelguide
- Støvpose
- Bundplade
- Låsemøtriknøgle
- Universalfræsereblade
- Original Makita-akku og oplader

BEMÆRK:

- Nogle ting på denne liste kan være inkluderet i værktøjspakken som standardtilbehør. Det kan være forskellige fra land til land.

ENG905-1

Lyd

Det typiske A-vægtede støjniveau bestemt i overensstemmelse med EN60745:

Model DPJ140

Lydtryksniveau (L_{pA}): 73 dB (A)

Usikkerhed (K): 3 dB (A)

Støjniveauet under arbejde kan overstige 80 dB (A).

Model DPJ180

Lydtryksniveau (L_{pA}): 74 dB (A)

Usikkerhed (K): 3 dB (A)

Støjniveauet under arbejde kan overstige 80 dB (A).

Bær høreværn

ENG900-1

Vibration

Vibrations totalværdi (tre-aksial vektorsum) bestemt i overensstemmelse med EN60745:

Arbejdsindstilling: fræsning af riller i MDF

Vibrationsafgivelse (a_{h1}): 2,5 m/s² eller mindre

Usikkerhed (K): 1,5 m/s²

ENG901-1

- Den angivne vibrationsemissionsværdi er blevet målt i overensstemmelse med standardtestmetoden og kan anvendes til at sammenligne en maskine med en anden.
- Den angivne vibrationsemissionsværdi kan også anvendes i en preliminær eksponeringsvurdering.

ADVARSEL:

- Vibrationsemissionen under den faktiske anvendelse af maskinen kan være forskellig fra den erklærede emissionsværdi, afhængigt af den måde, hvorpå maskinen anvendes.
- Sørg for at identificere de sikkerhedsforskrifter til beskyttelse af operatøren, som er baseret på en vurdering af eksponering under de faktiske brugsforhold (med hensyntagen til alle dele i brugscyklen, som f.eks. de gange, hvor maskinen er slukket og når den kører i tomgang i tilgift til afbrydertiden).

EF-OVERENSSTEMMELSESERKLÆRING

Kun for lande i Europa

EF-overensstemmelseserklæringen er inkluderet som Bilag A i denne brugsanvisning.

Περιγραφή γενικής άποψης

1 Κουμπί	15 Ξεσφίξτε	28 Βίδα σφιξίματος
2 Κόκκινη ένδειξη	16 Κάτω	29 Κλειδωμα άξονα
3 Μπαταρία	17 Πάνω	30 Σάκος σκόνης
4 Ένδειξη αστεριού	18 Πάχος κέντρου δίσκου	31 Στερεωτής
5 Ενδεικτική λυχνία	19 Προφυλακτήρας	32 Στόμιο σκόνης
6 Δείκτης	20 Γωνιομετρική κλίμακα	33 Άνοιγμα εξόδου αέρα
7 Κόφτης (στόπερ)	21 Κάλυμμα δίσκου	34 Άνοιγμα εισόδου αέρα
8 Ρυθμιστική βίδα	22 Πλάκα ρύθμισης	35 Ένδειξη ορίου
9 Ελαστική ακίδα	23 Πάχος πλάκας ρύθμισης	36 Κάλυμμα κατακτιού υποδοχής
10 Μοχλός κλειδώματος	24 Συρόμενος διακόπτης	37 Κατασβίδι
11 Οδηγός γωνίας	25 Παξιμάδι κλειδώματος	38 Καπάκι υποδοχής για το καρβουνάκι
12 Πόμολο	26 Δίσκος συναρμολογητή σανίδων	
13 Κλίμακα	27 Εσωτερική φλάντζα	
14 Σφίξτε		

ΓΤΕΧΝΙΚΑ ΧΑΡΑΚΤΗΡΙΣΤΙΚΑ

Μοντέλο	DPJ140	DPJ180
Τύπος δίσκου	Συναρμολογητής σανίδων	
Μέγιστο βάθος αυλακίσματος	20 χιλ.	
Ταχύτητα χωρίς φορτίο (λεπ ⁻¹)	6.500	
Ολικό μήκος	351 χιλ.	
Βάρος καθαρό	3,0 Χγρ	
Ονομαστική τάση	D.C. 14,4 V	D.C. 18 V

- Λόγω του ότι καταβάλλουμε συνεχείς προσπάθειες μέσω της έρευνας για περαιτέρω εξελίξεις για τα προϊόντα μας, οι παρούσες προδιαγραφές υπόκεινται σε αλλαγή χωρίς προειδοποίηση.
- Τα τεχνικά χαρακτηριστικά και η κασέτα μπαταρίας μπορεί να διαφέρουν από χώρα σε χώρα.
- Βάρος, με κασέτα μπαταρίας, σύμφωνα με τη διαδικασία ΕΡΤΑ 01/2003

GEB093-1

ΦΟΡΗΤΟΣ ΣΥΝΑΡΜΟΛΟΓΗΤΗ ΣΑΝΙΔΩΝ — ΠΡΟΕΙΔΟΠΟΙΗΣΕΙΣ ΑΣΦΑΛΕΙΑΣ

1. Οι δίσκοι πρέπει να είναι οι συνιστώμενοι τουλάχιστον για την ταχύτητα που αναγράφεται στο εργαλείο. Δίσκοι που υπερβαίνουν την συνιστώμενη ταχύτητα λειτουργίας μπορεί να εκτιναχθούν σε κομμάτια και να προκαλέσουν τραυματισμό.
2. Πάντοτε χρησιμοποιείτε προφυλακτήρα. Ο προφυλακτήρας προστατεύει τον χρήστη από θραύσματα δίσκου και τυχαία επαφή με τον δίσκο.
3. Χρησιμοποιείτε μόνο τους δίσκους που συνιστώνται για το μηχάνημα αυτό.
4. Ποτέ μη λειτουργείτε το μηχάνημα αυτό με τον δίσκο κλειδωμένο σε θέση κοπής ή χωρίς το κάλυμμα δίσκου κατάλληλα στερεωμένο στη θέση του.
5. Βεβαιωθείτε ότι ο δίσκος γλιστράει απαλά πριν τη λειτουργία.
6. Ελέγξτε τους δίσκους για ρωγμές ή ζημιά πριν τη λειτουργία. Αντικαταστήστε δίσκο με ρωγμές ή ζημιές αμέσως.
7. Βεβαιωθείτε ότι η φλάντζα ταιριάζει στη τρύπα του άξονα όταν τοποθετείτε τον δίσκο.
8. Επιθεωρήστε και αφαιρέστε όλα τα καρφιά ή ξένα σώματα από το αντικείμενο εργασίας πριν τη λειτουργία.
9. Πάντοτε τοποθετείτε το αντικείμενο εργασίας σε ένα σταθερό πάγκο.
10. Στερεώστε καλά τα αντικείμενα εργασίας με σφιγκτήρα ή μέγγενη.
11. ΜΗ φοράτε ποτέ γάντια κατά τη διάρκεια της λειτουργίας.

ENE013-1

Προοριζόμενη χρήση

Το εργαλείο προορίζεται για δημιουργία εγκοπών δρεπανοειδούς σχήματος για τοποθέτηση επίπεδων ξύλινων γόμφων ή παξιμαδιών με εμφύτευση.

GEA010-1

Γενικές προειδοποιήσεις ασφαλείας για το ηλεκτρικό εργαλείο

⚠ ΠΡΟΕΙΔΟΠΟΙΗΣΗ Διαβάστε όλες τις προειδοποιήσεις ασφαλείας και όλες τις οδηγίες. Η μη τήρηση των προειδοποιήσεων και οδηγιών ενδέχεται να καταλήξει σε ηλεκτροπληξία, πυρκαγιά ή/και σοβαρό τραυματισμό.

Φυλάξτε όλες τις προειδοποιήσεις και τις οδηγίες για μελλοντική παραπομπή.

12. Κρατάτε το μηχάνημα σταθερά και με τα δύο χέρια.
13. Κρατάτε τα χέρια και το σώμα σας μακριά από την περιοχή αυλακίσματος.
14. Λειτουργήστε το μηχάνημα για λίγο χωρίς ο δίσκος να διευθύνεται προς άτομα. Παρακολουθήστε για δονήσεις ή ανωμαλίες περιστροφής που υποδεικνύουν κακή τοποθέτηση ή κακή εξισορρόπηση του δίσκου.
15. Ποτέ μη βάλετε τα χέρια σας κάτω από τα τεμάχια εργασίας ενώ ο δίσκος περιστρέφεται.
16. Μην αφήνετε τον δίσκο να περιστρέφεται χωρίς παρακολούθηση.
17. Να βεβαιώνετε πάντοτε ότι έχετε σβήσει το εργαλείο και έχετε βγάλει την κασέτα μπαταρίας πριν πραγματοποιήσετε οποιαδήποτε ρύθμιση ή αντικαταστήσετε τη λάμα.
18. Μερικά υλικά περιέχουν χημικές ουσίες που μπορεί να είναι τοξικές. Προσέχετε να μην εισπνεύσετε σκόνη και να μην έχετε δερματική επαφή. Ακολουθείστε τις οδηγίες ασφάλειας του προμηθευτή των υλικών.
19. Μη χρησιμοποιείτε αμβλυμένους ή φθαρμένους δίσκους.
20. Μη χρησιμοποιείτε το εργαλείο με φθαρμένους προφυλακτήρες.

ΦΥΛΑΞΤΕ ΤΙΣ ΟΔΗΓΙΕΣ ΑΥΤΕΣ.

⚠ ΠΡΟΕΙΔΟΠΟΙΗΣΗ:

ΜΗΝ επιτρέψετε το βαθμό άνεσης ή εξοικείωσης με το προϊόν (λόγω επανειλημμένης χρήσης) να αντικαταστήσει την αυστηρή τήρηση των κανόνων ασφαλείας του παρόντος εργαλείου. ΚΑΚΗ ΧΡΗΣΗ ή αμέλεια να ακολουθήσετε τους κανόνες ασφαλείας που διατυπώνονται σ' αυτό το εγχειρίδιο οδηγιών μπορεί να προκαλέσει σοβαρό προσωπικό τραυματισμό.

ENC007-8

ΣΗΜΑΝΤΙΚΕΣ ΟΔΗΓΙΕΣ ΓΙΑ ΤΗΝ ΑΣΦΑΛΕΙΑ

ΓΙΑ ΤΗΝ ΚΑΣΕΤΑ ΜΠΑΤΑΡΙΑΣ

1. Πριν χρησιμοποιήσετε την κασέτα μπαταρίας, διαβάστε όλες τις οδηγίες και σημειώσεις προφύλαξης (1) στον φορτιστή μπαταρίας, (2) στην μπαταρία και (3) στο προϊόν που χρησιμοποιεί την μπαταρία.
2. Μην αποσυρμολογήσετε την κασέτα μπαταρίας.
3. Αν ο χρόνος λειτουργίας έχει γίνει υπερβολικά σύντομος, σταματήστε αμέσως τη λειτουργία. Αλλιώς, μπορεί να έχει ως αποτέλεσμα κίνδυνο υπερθέρμανσης, πιθανά εγκαύματα ή ακόμη και έκρηξη.
4. Αν ηλεκτρολύτης μπει στα μάτια σας, ξεπλύνετε τα με καθαρό νερό και ζητήστε ιατρική φροντίδα αμέσως. Αλλιώς, μπορεί να έχει ως αποτέλεσμα απώλεια της όρασής σας.
5. Μη βραχυκυκλώνετε την κασέτα μπαταρίας:
 - (1) Μην αγγίζετε τους πόλους με οτιδήποτε αγώγιμο υλικό.
 - (2) Αποφεύγετε να αποθηκεύετε την κασέτα μπαταρίας μέσα σε ένα δοχείο μαζί με άλλα μεταλλικά αντικείμενα όπως καρφιά, νομίσματα, κλπ.
 - (3) Μην εκθέτετε την κασέτα μπαταρίας στο νερό ή στη βροχή.

Ένα βραχυκύκλωμα μπαταρίας μπορεί να προκαλέσει μεγάλη ροή ρεύματος, υπερθέρμανση, πιθανά εγκαύματα ακόμη και σοβαρή βλάβη.

6. Μην αποθηκεύετε το εργαλείο και την κασέτα μπαταρίας σε τοποθεσίες όπου η θερμοκρασία μπορεί να φτάσει ή να ξεπεράσει τους 50°C.
7. Μη καίτε την κασέτα μπαταρίας ακόμη και εάν έχει σοβαρή ζημιά ή είναι εντελώς φθαρμένη. Η κασέτα μπαταρίας μπορεί να εκραγεί στην φωτιά.
8. Προσέχετε να μη ρίξετε κάτω ή χτυπήσετε την μπαταρία.
9. Μην χρησιμοποιείτε μπαταρία που έχει υποστεί ζημιά.
10. Τηρήστε τους τοπικούς κανονισμούς που σχετίζονται με τη διάθεση της μπαταρίας.

ΦΥΛΑΞΤΕ ΤΙΣ ΟΔΗΓΙΕΣ ΑΥΤΕΣ.

Συμβουλές για διατήρηση μέγιστης ζωής μπαταρίας

1. Φορτίζετε την κασέτα μπαταρίας πριν από την πλήρη αποφόρτιση της. Πάντοτε σταματάτε την λειτουργία του εργαλείου και φορτίζετε την κασέτα μπαταρίας όταν παρατηρείτε μειωμένη ισχύ εργαλείου.
2. Ποτέ μην επαναφορτίζετε μία πλήρως φορτισμένη κασέτα μπαταρίας. Υπερφόρτιση μειώνει την ωφέλιμη ζωή της μπαταρίας.
3. Να φορτίζετε την κασέτα μπαταρίας σε θερμοκρασία δωματίου, δηλαδή στους 10°C – 40°C. Αφήστε μία θερμή κασέτα μπαταρίας να κρυώσει πριν την φορτίσετε.
4. Φορτίστε την κασέτα μπαταρίας μία φορά κάθε έξι μήνες εάν δεν τη χρησιμοποιείτε για μεγάλη χρονική περίοδο.

ΠΕΡΙΓΡΑΦΗ ΛΕΙΤΟΥΡΓΙΑΣ

⚠ ΠΡΟΣΟΧΗ:

- Να βεβαιώνετε πάντοτε ότι είναι σβηστό το εργαλείο και αφαιρέσετε την μπαταρία πριν ρυθμίσετε ή ελέγξετε κάποια λειτουργία του εργαλείου.

Τοποθέτηση ή αφαίρεση της κασέτας μπαταρίας (Εικ. 1)

⚠ ΠΡΟΣΟΧΗ:

- Πάντοτε να σβήνετε το εργαλείο πριν τοποθετήσετε ή αφαιρέσετε την κασέτα μπαταρίας.
- Κρατήστε το εργαλείο και την κασέτα μπαταρίας σταθερά κατά την τοποθέτηση ή αφαίρεση της κασέτας μπαταρίας. Αν δεν κρατάτε το εργαλείο και την κασέτα μπαταρίας σταθερά μπορεί γλιστρήσουν από τα χέρια σας και να προκληθεί βλάβη στο εργαλείο και την κασέτα μπαταρίας και προσωπικός τραυματισμός.

Για να αφαιρέσετε την κασέτα μπαταρίας, ολισθήστε την από το εργαλείο ενώ σύρετε το κουμπί στο μπροστινό μέρος της κασέτας.

Για να τοποθετήσετε την κασέτα μπαταρίας, ευθυγραμμίστε τη γλώσσα στην κασέτα μπαταρίας με την αύλακα στην υποδοχή και ολισθήστε τη στη θέση της. Να την τοποθετείτε πλήρως μέχρι να ασφαλίσει στη θέση της, γεγονός που υποδεικνύεται με ένα χαρακτηριστικό ήχο. Αν μπορείτε να δείτε την κόκκινη ένδειξη στην επάνω πλευρά του κουμπιού, δεν έχει κλειδώσει τελείως.

▲ ΠΡΟΣΟΧΗ:

- Να τοποθετείτε πάντα την κασέτα μπαταρίας πλήρως μέχρι να μην βλέπετε την κόκκινη ένδειξη. Σε αντίθετη περίπτωση, μπορεί να πέσει κατά λάθος από το εργαλείο και να τραυματίσει εσάς ή κάποιον παρευρισκόμενο.
- Μην τοποθετείτε την κασέτα μπαταρίας με βία. Αν η κασέτα δεν εισέρχεται με ευκολία, δεν είναι τοποθετημένη σωστά.

Σύστημα προστασίας μπαταρίας (Εικ. 2)

Το εργαλείο είναι εξοπλισμένο με σύστημα προστασίας της μπαταρίας. Αυτό το σύστημα αποκόπτει αυτόματα την ισχύ προς το μοτέρ για να παραταθεί η διάρκεια λειτουργίας της μπαταρίας.

Το εργαλείο σταματά αυτόματα κατά τη διάρκεια της λειτουργίας αν το εργαλείο ή/και η μπαταρία βρεθούν κάτω από τις παρακάτω συνθήκες:

- Υπερφόρτωση:

Το εργαλείο λειτουργεί με τρόπο ώστε να αναγκάζεται να καταναλώνει ασυνήθιστα υψηλό ρεύμα.

Σε αυτή την περίπτωση, απενεργοποιήστε το εργαλείο και διακόψτε την εφαρμογή που προκάλεσε την υπερφόρτωση του εργαλείου. Μετά, ενεργοποιήστε το για να ξεκινήσετε ξανά.

Αν το εργαλείο δεν ξεκινάει, η μπαταρία έχει υπερθερμανθεί. Σε αυτή την κατάσταση, αφήστε την μπαταρία να ψυχθεί πριν ενεργοποιήσετε ξανά το εργαλείο.

- Χαμηλή τάση μπαταρίας:

Η υπόλοιπη χωρητικότητα μπαταρίας είναι πολύ χαμηλή και το εργαλείο δεν λειτουργεί. Σε αυτή την κατάσταση, αφαιρέστε και επαναφορτίστε την μπαταρία.

ΠΑΡΑΤΗΡΗΣΗ:

- Η προστασία υπερθέρμανσης λειτουργεί μόνο με κασέτα μπαταρίας με ένδειξη αστεριού.

Ενδεικτική λυχνία με πολλαπλή λειτουργία (Εικ. 3)

Οι ενδεικτικές λυχνίες είναι τοποθετημένες σε δύο θέσεις. Όταν τοποθετήσετε την μπαταρία στο εργαλείο και ο κυλιόμενος διακόπτης βρίσκεται στη θέση "O (OFF)", η ενδεικτική λυχνία αναβοσβήνει γρήγορα για ένα περίπου δευτερόλεπτο. Αν δεν αναβοσβήσει με αυτόν τον τρόπο, η μπαταρία ή η ενδεικτική λυχνία έχει υποστεί βλάβη.

- Προστασία υπερφόρτωσης

- Όταν το εργαλείο είναι υπερφορτωμένο, ανάβει η ενδεικτική λυχνία. Η ενδεικτική λυχνία θα σβήσει όταν μειωθεί το φορτίο στο εργαλείο.
- Αν το εργαλείο συνεχίζει να είναι υπερφορτωμένο και η ενδεικτική λυχνία συνεχίζει να είναι αναμμένη για δύο περίπου δευτερόλεπτα, θα διακοπεί η λειτουργία του εργαλείου. Με τον τρόπο αυτό αποφεύγεται η καταστροφή του μοτέρ και των εξαρτημάτων του.

- Σε αυτήν την περίπτωση, για να ξεκινήσετε ξανά τη λειτουργία του εργαλείου, μετακινήστε τον κυλιόμενο διακόπτη στη θέση "O (OFF)" μία φορά και κατόπιν στη θέση "I (ON)".

- Σήμα αλλαγής μπαταρίας

- Όταν λιγοστέψει η ενέργεια της μπαταρίας που απομένει, ανάβει η ενδεικτική λυχνία κατά τη λειτουργία πριν αδειάσει τελείως η μπαταρία.

- Λειτουργία αποφυγής τυχαίας επανεκκίνησης

- Ακόμα κι αν η μπαταρία έχει τοποθετηθεί στο εργαλείο και ο κυλιόμενος διακόπτης βρίσκεται στη θέση "I (ON)", η λειτουργία του εργαλείου δεν ξεκινά. Τώρα, η ενδεικτική λυχνία αναβοσβήνει αργά και αυτό σημαίνει ότι η λειτουργία αποφυγής τυχαίας εκκίνησης είναι σε λειτουργία.
- Για να ξεκινήσετε τη λειτουργία του εργαλείου, πρώτα ολισθήστε τον κυλιόμενο διακόπτη στη θέση "O (OFF)" και κατόπιν ολισθήστε τον στη θέση "I (ON)".

Ρύθμιση του βάθους αυλακίσματος (Εικ. 4)

6 βάθη αυλακίσματος μπορούν να προγραμματιστούν σύμφωνα με το μέγεθος του χρησιμοποιούμενου παξιμαδιού.

Ανατρέξτε στον πίνακα παρακάτω για την αντιστοίχια μεταξύ των μεγεθών που είναι σημειωμένα στον κόφτη και των μεγεθών παξιμαδιού. Μικρορύθμιση του βάθους αυλακίσματος μπορεί να γίνει στρίβοντας τη βίδα ρύθμισης μετά το χαλάρωμα του εξαγ. παξιμαδιού. Αυτό μπορεί να είναι απαραίτητο όταν ο δίσκος έχει ακονιστεί μερικές φορές.

Μέγεθος στον κόφτη	0	10	20	S	D	MAX
Μέγεθος παξιμαδιού	0	10	20	—	—	—
Βάθος αυλακίσματος	8 χιλ.	10 χιλ.	12,3 χιλ.	13 χιλ.	14,7 χιλ.	20 χιλ.*

* Με τις ελαστικές ακίδες αφαιρεμένες.

012681

Οδηγός γωνίας (Εικ. 5 και 6)

Το ύψος του οδηγού γωνίας μπορεί να μετακινηθεί προς τα επάνω και κάτω για να ρυθμιστεί η θέση του δίσκου σε σχέση με το επάνω μέρος του αντικειμένου εργασίας.

Για ρύθμιση του ύψους της γωνίας οδηγού, χαλαρώστε τον μοχλό κλειδώματος κάτω και περιστρέψτε το πόμολο μέχρι ο δείκτης να δείχνει την επιθυμητή διαβάθμιση κλίμακας που είναι σημειωμένη στον οδηγό γωνίας.

Και μετά σφίξτε τον μοχλό κλειδώματος μέχρι να στερεωθεί η γωνία οδηγού. Η κλίμακα στον οδηγό γωνίας δείχνει την απόσταση από τη κορυφή του αντικειμένου εργασίας μέχρι το κέντρο του πάχους του δίσκου.

Ο οδηγός γωνίας είναι αποσπώμενος από τον προφυλακτήρα ανάλογα με τις ανάγκες της εργασίας σας. Για να αφαιρέσετε τον οδηγό γωνίας, χαλαρώστε το μοχλό κλειδώματος και περιστρέψτε το πόμολο δεξιόστροφα μέχρι να βγει από το επάνω άκρο του προφυλακτήρα.

Προφυλακτήρας (Εικ. 7 και 8)

ΠΑΡΑΤΗΡΗΣΗ:

- Αφαιρέστε τον οδηγό γωνίας ανάλογα με τις ανάγκες της εργασίας σας όταν χρησιμοποιείτε το εργαλείο με τη γωνία του προφυλακτήρα ρυθμισμένη σε θέση διαφορετική από 0°. Όταν πρέπει να χρησιμοποιήσετε τον οδηγό γωνίας κάτω από την παραπάνω συνθήκη, βεβαιωθείτε να ρυθμίσετε το βάθος αυλακίσματος για να έχετε το σωστό βάθος.

Η γωνία του προφυλακτήρα μπορεί να ρυθμιστεί μεταξύ 0° και 90° (θετικές θέσεις 0°, 45° και 90°). Για να ρυθμίσετε τη γωνία χαλαρώστε το μοχλό κλειδώματος και γύρετε το προφυλακτήρα μέχρι ο δείκτης να δείχνει στην επιθυμητή διαβάθμιση στη κλίμακα γωνίας. Μετά σφίξτε το μοχλό κλειδώματος για να στερεώσετε το προφυλακτήρα. Όταν ο προφυλακτήρας είναι τοποθετημένος στις 90°, και η απόσταση από το κέντρο του πάχους του δίσκου στον προφυλακτήρα και η απόσταση από το κέντρο του πάχους του δίσκου στο βάθος της βάσης είναι 10 χιλ.

Πλάκα ρύθμισης (Εικ. 9 και 10)

Χρησιμοποιήστε τη πλάκα ρύθμισης όπως φαίνεται στην **Εικ. 9 και 10** όταν κόβετε σχισμές σε λεπτά αντικείμενα εργασίας.

Λειτουργία διακόπτη (Εικ. 11)

⚠ ΠΡΟΣΟΧΗ:

- Πριν βάλετε την μπαταρία στο εργαλείο, πάντοτε να ελέγχετε ότι ο κυλιόμενος διακόπτης ενεργοποιείται σωστά και επιστρέφει στη θέση "OFF" όταν πιέζετε το πίσω μέρος του κυλιόμενου διακόπτη.
- Ο διακόπτης μπορεί να ασφαλιστεί στη θέση "ON" για πιο άνετη λειτουργία από τον χρήστη κατά τη διάρκεια παρατεταμένης χρήσης. Να είστε προσεκτικοί όταν ασφαλίσετε το εργαλείο στη θέση "ON" και να κρατάτε καλά το εργαλείο.

Για να ξεκινήσει το εργαλείο, σύρετε τον συρόμενο διακόπτη προς την θέση "I (ON)". Για συνεχή λειτουργία, πατήστε το εμπρός μέρος του συρόμενου διακόπτη για να κλειδώσει.

Για να σταματήσετε το εργαλείο, πατήστε το πίσω μέρος του συρόμενου διακόπτη, μετά σύρετε το στη θέση "O (OFF)".

ΣΥΝΑΡΜΟΛΟΓΗΣΗ

⚠ ΠΡΟΣΟΧΗ:

- Να βεβαιώνετε πάντοτε ότι έχετε σβήσει το εργαλείο και έχετε βγάλει την μπαταρία πριν εκτελέσετε οποιαδήποτε εργασία σε αυτό.

Αφαίρεση ή τοποθέτηση του δίσκου (Εικ. 12)

⚠ ΠΡΟΣΟΧΗ:

- Όταν τοποθετείτε το δίσκο συναρμολογητή σανίδων, τοποθετήστε την εσωτερική φλάντζα με τη πλευρά στην οποία σημειώνεται το "22" να βλέπει προς το μέρος σας.

Για να αφαιρέσετε τον δίσκο, χαλαρώστε τη βίδα σφιγκτήρα και ανοίχτε το κάλυμμα της λάμας. Σπρώχτε το εξάρτημα κλειδώματος του άξονα και χαλαρώστε το παξιμάδι κλειδώματος χρησιμοποιώντας το κλειδί παξιμαδιών κλειδώματος. Για εγκατάσταση του δίσκου πρώτα τοποθετήστε την εσωτερική φλάντζα.

Μετά τοποθετήστε τον δίσκο και το παξιμάδι κλειδώματος. Σφίχτε καλά το παξιμάδι κλειδώματος χρησιμοποιώντας το κλειδί παξιμαδιού κλειδώματος. Κλείστε το κάλυμμα του δίσκου και σφίξτε τη βίδα σφιξίματος για να στερεώσετε το κάλυμμα του δίσκου.

⚠ ΠΡΟΣΟΧΗ:

- Χρησιμοποιείτε μόνο το παρεχόμενο κλειδί παξιμαδιού κλειδώματος Μάικτα για να αφαιρέσετε ή τοποθετήσετε τον δίσκο.
- Πάντα να ελέγχετε το βάθος αυλακίσματος μετά την αντικατάσταση του δίσκου. Επαναρυθμίστε εάν είναι απαραίτητο.

Σάκος σκόνης (Εικ. 13)

Για να προσαρμόσετε τον σάκο σκόνης, βάλτε τον στο στόμιο σκόνης. Εάν ο σάκος σκόνης γίνεται εμπόδιο στην εργασία σας, γυρίστε το στόμιο σκόνης για αλλαγή της θέσης του σάκου σκόνης.

Όταν ο σάκος σκόνης είναι μισογεμάτος, σβήστε και αφαιρέστε την κασέτα μπαταρίας. Αφαιρέστε τον σάκο σκόνης από το εργαλείο και τραβήχτε έξω τον σφιγκτήρα του σάκου. Αδειάστε τον σάκο σκόνης χτυπώντας τον ελαφρά για να αφαιρέσετε όσο το δυνατόν περισσότερο μέρος της σκόνης.

ΠΑΡΑΤΗΡΗΣΗ:

- Εάν συνδέσετε μία ηλεκτρικό αποροφητήρα σκόνης Μάικτα στην άρθρωση πλάκας στον συναρμολογητή σανίδων σας, μπορείτε να εκτελέσετε καθαρότερες και αποδοτικότερες λειτουργίες.

ΛΕΙΤΟΥΡΓΙΑ

Πως να κάνετε συνδέσεις

⚠ ΠΡΟΕΙΔΟΠΟΙΗΣΗ:

- Πάντα να συγκρατείτε το αντικείμενο εργασίας με έναν σφιγκτήρα στον πάγκο εργασιών πριν από κάθε εργασία. (**Εικ. 14 και 15**)

Σύνδεση γωνίας (Εικ. 16, 17 και 18)

Σύνδεση τύπου T-Butt (Εικ. 19, 20 και 21)

Πλαγιογωνιασμένη σύνδεση (Εικ. 22 και 23)

Σύνδεση κάδρου (Εικ. 24 και 25)

Σύνδεση Άκρης με Άκρη (Εικ. 26 και 27)

Για να κάνετε συνδέσεις, προχωρήστε ως ακολούθως:

1. Εφαρμόστε τα δύο αντικείμενα εργασίας όπως θα εμφανιστούν στην τελική θέση σύνδεσης.
2. Σημειώστε το κέντρο των αυλακισμάτων που προτίθεστε να κόψετε με ένα μολύβι.

ΠΑΡΑΤΗΡΗΣΗ:

- Το κέντρο των αυλακισμάτων πρέπει να είναι τουλάχιστο 50 χιλ. από την εξωτερική άκρη των αντικειμένων εργασίας.
- Αφήστε απόσταση 100 χιλ. – 150 χιλ. μεταξύ αυλακισμάτων σε εφαρμογές πολλαπλών ορθογωνίων αποκομμάτων.
- 3. **Μόνο για Σύνδεση γωνίας και Σύνδεση τύπου T-Butt**

Σφίχτε το κάθετο αντικείμενο εργασίας στο πάγκο εργασίας.

Μόνο για Πλαγιογωνιασμένη σύνδεση

Στερεώστε ένα αντικείμενο εργασίας στον πάγκο εργασίας με την κωνική άκρη προς τα επάνω.

Μόνο για Σύνδεση κάδρου και Σύνδεση Άκρης με Άκρη

Σφίχτε το ένα αντικείμενο εργασίας στο πάγκο εργασίας.

4. Ρυθμίστε το βάθος αυλακίσματος ανάλογα με το μέγεθος του παξιμαδιού που θα χρησιμοποιηθεί. Ανατρέξτε στον πίνακα στο τμήμα “Ρύθμιση του βάθους αυλακίσματος”.
5. Ρυθμίστε το ύψος του οδηγού γωνίας έτσι ώστε ο δίσκος να κεντράρεται στο πάχος της σανίδας.
6. Ευθυγραμμίστε το σημάδι κέντρου στη βάση με τη γραμμή μολυβιού στο αντικείμενο εργασίας.
7. Ανάψτε το μηχάνημα και απαλά σπρώχτε το μπροστά για να εισχωρήσει ο δίσκος μέσα στο αντικείμενο εργασίας.
8. Απαλά επαναφέρετε το μηχάνημα στην αρχική του θέση αφού η βίδα ρύθμισης φθάσει στον κόφτη.
9. **Μόνο για Σύνδεση γωνίας και τύπου T-Butt**
Σφίχτε το οριζόντιο αντικείμενο εργασίας στο πάγκο εργασίας.

Μόνο για Πλαγιογωνιασμένη σύνδεση

Στερεώστε το άλλο αντικείμενο εργασίας στον πάγκο εργασίας με την κωνική άκρη προς τα επάνω.

Μόνο για Σύνδεση κάδρου και Σύνδεση Άκρης με Άκρη

Σφίχτε το άλλο αντικείμενο εργασίας στο πάγκο εργασίας.

10. **Μόνο για Σύνδεση γωνίας**
Τοποθετήστε το μηχάνημα στο αντικείμενο εργασίας έτσι ώστε ο δίσκος να βλέπει προς τα κάτω.
- Μόνο για Σύνδεση τύπου T-Butt**
Αφαιρέστε τον οδηγό γωνίας από το μηχάνημα. Τοποθετήστε το μηχάνημα στο αντικείμενο εργασίας έτσι ώστε ο δίσκος να βλέπει τα κάτω.
11. Επαναλάβετε τα βήματα 6 – 8 για αυλάκισμα στο οριζόντιο ή στο άλλο αντικείμενο εργασίας.

Εάν δεν χρειάζεται να κεντράρετε ο δίσκος στο πάχος της σανίδας, προχωρήστε ως ακολούθως:

Μόνο για Συνδέσεις γωνίας, Πλαγιογωνιασμένη σύνδεση, Σύνδεση κάδρου και Σύνδεση Άκρης με Άκρη

- Αφαιρέστε τον οδηγό γωνίας από το μηχάνημα. Ρυθμίστε τον προφυλακτήρα σε 90° για σύνδεση γωνίας , σύνδεση κάδρου και σύνδεση Άκρης με Άκρη ή σε 45° για πλαγιογωνιασμένη σύνδεση.
- Ακολουθήστε τα βήματα 1 – 11 εκτός των βημάτων 5 και 10 που περιγράφονται παραπάνω.

Μόνο για Σύνδεση τύπου T-Butt

- Εφαρμόστε τα δύο αντικείμενα εργασίας όπως θα εμφανιστούν στην τελική θέση σύνδεσης.
- Βάλτε το κάθετο αντικείμενο εργασίας πάνω στο οριζόντιο. Σφίχτε και τα δύο αντικείμενα εργασίας στο πάγκο εργασίας.
- Αφαιρέστε τον οδηγό γωνίας από το μηχάνημα.
- Ακολουθήστε τα βήματα 2, 4, 6, 7, 8 και 11 που περιγράφονται παραπάνω.

ΣΥΝΤΗΡΗΣΗ

⚠ ΠΡΟΣΟΧΗ:

- Να βεβαιώνετε πάντοτε ότι το εργαλείο είναι σβηστό και αφαιρέσατε την μπαταρία πριν εκτελέσετε οποιαδήποτε εργασία ελέγχου ή συντήρησης σε αυτό.
- Μην χρησιμοποιείτε ποτέ βενζίνη, πετρελαϊκό αιθέρα, διαλυτικό, αλκοόλη ή παρόμοιες ουσίες. Ενδέχεται να προκληθεί αποχρωματισμός παραμόρφωση ή ρωγμές.

Το εργαλείο και τα ανοίγματα εξαιρισμού του πρέπει να διατηρούνται καθαρά. Να καθαρίζετε τακτικά τα ανοίγματα εξαιρισμού του εργαλείου ή όταν αρχίσουν να φράσσονται. **(Εικ. 28)**

Αλλαγή καρβουνάκιων

Να λαβαίρετε και να ελέγχετε τακτικά τα καρβουνάκια. Να αντικαθιστάτε τα καρβουνάκια όταν έχουν φθαρεί έως την ένδειξη ορίου. Να διατηρείτε τα καρβουνάκια καθαρά και ελεύθερα για να γλιστρούν στις υποδοχές. Πρέπει να αλλάζετε ταυτόχρονα και τα δύο καρβουνάκια. Να χρησιμοποιείτε μόνο καρβουνάκια ίδιου τύπου. **(Εικ. 29)**
Τοποθετήστε την άκρη ενός πλακέ κατασιβιδίου μέσα στην εγκοπή του εργαλείου και σκώστε το κάλυμμα καπακιού υποδοχής για να το βγάλετε. **(Εικ. 30)**

Με τη βοήθεια ενός κατασιβιδίου, βγάλετε τα καπάκια της υποδοχής για τα καρβουνάκια. Βγάλετε τα φθαράμενα καρβουνάκια, τοποθετήστε τα καινούργια και ασφαλίστε τα καπάκια της υποδοχής για τα καρβουνάκια. **(Εικ. 31)**

Τοποθετήστε ξανά το κάλυμμα καπακιού υποδοχής στο εργαλείο.

Για να διατηρείται η ΑΣΦΑΛΕΙΑ και η ΑΞΙΟΠΙΣΤΙΑ του προϊόντος, οι εργασίες επισκευής, καθώς και οποιαδήποτε άλλη εργασία συντήρησης ή ρύθμισης, θα πρέπει να εκτελούνται σε εξουσιοδοτημένα κέντρα εξυπηρέτησης της Makita, και πάντοτε με τη χρήση ανταλλακτικών της Makita.

ΠΡΟΑΙΡΕΤΙΚΑ ΕΞΑΡΤΗΜΑΤΑ

⚠ ΠΡΟΣΟΧΗ:

- Αυτά τα εξαρτήματα ή προσαρτήματα συνιστώνται για χρήση με το εργαλείο σας της Makita που καθορίζεται στο εγχειρίδιο αυτό. Η χρήση οποιονδήποτε άλλων εξαρτημάτων ή προσαρτημάτων μπορεί να δημιουργήσει κίνδυνο τραυματισμού ατόμων. Χρησιμοποιείτε μόνο εξαρτήματα ή προσαρτήματα μόνο για το σκοπό που προορίζονται.

Εάν χρειάζεστε κάποια βοήθεια για περισσότερες πληροφορίες που αφορούν στα εξαρτήματα αυτά, απευθυνθείτε στο τοπικό σας κέντρο εξυπηρέτησης Makita.

- Οδηγός γωνίας
- Σάκος σκόνης
- Πλάκα ρύθμισης
- Κλειδί κλειδώματος παξιμαδιού
- Δίσκοι συναρμολογητή σανίδων
- Γνήσια μπαταρία και φορτιστής της Makita

ΠΑΡΑΤΗΡΗΣΗ:

- Μερικά στοιχεία στη λίστα μπορεί να συμπεριλαμβάνονται στη συσκευασία εργαλείου ως στάνταρ εξαρτήματα. Μπορεί να διαφέρουν ανάλογα με τη χώρα.

Θόρυβος

Το τυπικό A επίπεδο μετρημένου θορύβου καθορίζεται σύμφωνα με το EN60745:

Μοντέλο DPJ140

Στάθμη πίεσης ήχου (L_{pA}): 73 dB (A)

Αβεβαιότητα (K): 3 dB (A)

Η ένταση ήχου υπο συνθήκες εργασίας μπορεί να υπερβεί τα 80 dB (A).

Μοντέλο DPJ180

Στάθμη πίεσης ήχου (L_{pA}): 74 dB (A)

Αβεβαιότητα (K): 3 dB (A)

Η ένταση ήχου υπο συνθήκες εργασίας μπορεί να υπερβεί τα 80 dB (A).

Φοράτε ωτοασπίδες

ENG900-1

Κραδασμός

Η ολική τιμή δόνησης (άθροισμα τρι-αξονικού διανύσματος) καθορίζεται σύμφωνα με το EN60745:

Είδος εργασίας: κοπή αυλακώσεων σε MDF

Εκπομπή δόνησης (a_h): 2,5 m/s² ή λιγότερο

Αβεβαιότητα (K): 1,5 m/s²

ENG901-1

- Η δηλωμένη τιμή εκπομπής κραδασμών έχει μετρηθεί σύμφωνα με την πρότυπη μέθοδο δοκιμής και μπορεί να χρησιμοποιηθεί για τη σύγκριση ενός εργαλείου με άλλο.
- Η δηλωμένη τιμή εκπομπής κραδασμών μπορεί να χρησιμοποιηθεί και στην προκαταρκτική αξιολόγηση έκθεσης.

⚠️ ΠΡΟΕΙΔΟΠΟΙΗΣΗ:

- Η εκπομπή κραδασμών κατά τη χρήση του ηλεκτρικού εργαλείου σε πραγματικές συνθήκες μπορεί να διαφέρει από τη δηλωμένη τιμή εκπομπής ανάλογα με τον τρόπο χρήσης του εργαλείου.
- Φροντίστε να λάβετε τα κατάλληλα μέτρα προστασίας του χειριστή βάσει υπολογισμού της έκθεσης σε πραγματικές συνθήκες χρήσης (λαμβάνοντας υπόψη όλες τις συνιστώσες του κύκλου λειτουργίας όπως τους χρόνους που το εργαλείο είναι εκτός λειτουργίας και όταν βρίσκεται σε αδρανή λειτουργία πέραν του χρόνου ενεργοποίησης).

Δ'ΗΛΩΣΗ ΣΥΜΜΟΡΦΩΣΗΣ ΕΚ**Μόνο για χώρες της Ευρώπης**

Η δήλωση συμμόρφωσης ΕΚ περιλαμβάνεται ως Παράρτημα Α στο παρόν εγχειρίδιο οδηγιών.

Genel görünüşün açıklanması

1 Düğme	14 Sıkılayın	27 İç flanş
2 Kırmızı gösterge	15 Gevşetin	28 Kelepçe vidası
3 PİL kartuşu	16 Aşağı	29 Şaft kilidi
4 Yıldız işareti	17 Yukarı	30 Toz torbası
5 Gösterge lambası	18 Bıçak kalınlığının ortası	31 Tutturu
6 Gösterge	19 Kenarlık	32 Toz ağızlığı
7 Durdurucu	20 Açık cetveli	33 Hava çıkış deliği
8 Ayar vidası	21 Bıçak mahfazası	34 Hava giriş deliği
9 Kauçuk çivi	22 Ayar plakası	35 Sınır işareti
10 Kilitleme kolu	23 Ayar plakasının kalınlığı	36 Yuva kapağı
11 Köşe kılavuzu	24 Sürgülü anahtar	37 Tornavida
12 Kontrol düğmesi	25 Kilit somunu	38 Fırça yuvası kapağı
13 Ölçek	26 Zivana açma bıçağı	

TEKNİK ÖZELLİKLER

Model	DPJ140	DPJ180
Bıçak türü	Zivana açma makinası	
Maks. oluk açma derinliği	20 mm	
Yüksüz hız (dak ⁻¹)	6.500	
Toplam uzunluk	351 mm	
Net ağırlık	3,0 kg	
Belirlenmiş voltaj	D.C. 14,4 V	D.C. 18 V

- Sürekli yapılan araştırma ve geliştirmelerden dolayı, burada belirtilen özellikler önceden bildirilmeksizin değiştirilebilir.
- Özellikler ve batarya kartuşu ülkeden ülkeye değişebilir.
- EPTA-Prosedürü 01/2003 uyarınca, batarya kartuşu dahil, ağırlık

ENE013-1

Kullanım amacı

Bu aletin kullanım amacı bir daldırma hareketiyle ahşap kavilaların veya bisküvinin yerleştirilmesi için hilal biçiminde yanıklar kesilmesidir.

GEA010-1

Genel Elektrikli Alet Güvenliği

⚠ UYARI! Tüm güvenlik uyarılarını ve tüm talimatları okuyun. Uyarılara ve talimatlara uyulmaması elektrik şoku, yangın ve/veya ciddi yaralanmalar ile sonuçlanabilir.

Tüm uyarıları ve talimatları ileride başvurmak için saklayın.

GEB093-1

AKÜLÜ ZIVANA AÇMA MAKİNESİ GÜVENLİK UYARILARI

1. Bıçaklar en azından alet üzerinde tavsiye edilen hız sınıfında olmalıdır. Nominal hızın üzerinde çalıştırılan bıçaklar fırlayarak yaralanmaya neden olabilir.
2. Daima siperini kullanın. Siper, kullanıcıyı kırık bıçak parçalarından, bıçağa istem dışı temas etmekten korur.
3. Sadece bu alet için belirtilen bıçakları kullanın.

4. Bu aleti bıçak açık konumda kilitlenmeden veya bıçak siperi yerinde sabitlenmeden asla kullanmayın.
5. Kullanmadan önce bıçağın düzgün olarak kaydığını emin olun.
6. Kullanmadan önce bıçaklarda çatlak ya da hasar kontrolü yapın. Çatlak ya da hasarlı olan bıçağı hemen değiştirin.
7. Bıçağı takarken flanşın mil deliğine geçtiğinden emin olun.
8. Çalışmadan önce iş parçalarındaki tüm çivileri veya yabancı malzemeleri bulun ve çıkarın.
9. İş parçalarını daima sabit bir çalışma tezgahına yerleştirin.
10. İş parçalarını kelepçe veya mengeneyle sabitleyin.
11. Çalışırken asla eldiven takmayın.
12. Aleti her iki elinizle sıkıca tutun.
13. Ellerinizi ve vücudunuzu oluk açma alanından uzak tutun.
14. Bıçak kimsese doğrultulmamış olarak aleti bir süre çalıştırın. Bıçağın yanlış takılmış veya dengesiz olduğunu gösteren titreme ya da yalpalamalara dikkat edin.
15. Bıçak dönerken asla iş parçalarının altına uzanmayın.
16. Aleti çalışır durumda bırakıp yanından ayrılmayın.
17. Herhangi bir ayar yapmadan ve bıçağı değiştirmeden önce aletin kapalı ve pil kartuşunun çıkartılmış olduğundan daima emin olun.

18. Bazı malzemeler zehirli olabilen kimyasallar içerirler. Toz yutmamayı ve cilt temasını önlemek için tedbir alın. Malzeme sağlayıcısının güvenlik bilgilerine uyun.
19. Kör veya hasarlı bıçakları kullanmayın.
20. Bu aleti hasarlı siperlerle kullanmayın.

BU TALİMATLARI SAKLAYIN.

⚠ UYARI:

Ürünü kullanırken (defalarca kullanınca kazanılan) rahatlık ve tanıdıklık duygusunun ilgili ürünün güvenlik kurallarına sıkı sıkıya bağlı kalmanın yerine geçmesine İZİN VERMEYİN. YANLIŞ KULLANIM veya bu kullanma kılavuzunda belirtilen emniyet kurallarına uymama ciddi yaralanmaya neden olabilir.

ENC007-8

ÖNEMLİ GÜVENLİK TALİMATLARI

BATARYA KARTUŞU İÇİN

1. Batarya kartuşunu kullanmadan önce, tüm talimatları ve (1) batarya şarj aleti, (2) batarya ve (3) bataryası kullanılan alet üstündeki tüm uyarıları okuyun.
2. Batarya kartuşunu sökmeyin.
3. Çalışma süresi aşırı derecede kısalmışsa kullanmayı derhal bırakın. Aşırı ısınma, yanma riski hatta patlamaya neden olabilir.
4. Gözünüze elektrolit kaçarsa, gözlerinizi temiz suyla durulayın ve hemen tıbbi yardım alın. Görme kaybına yol açabilir.
5. Batarya kartuşunu kısa devre yaptırmayın:
 - (1) Terminallere herhangi bir iletken madde değiştirmeyin.
 - (2) Batarya kartuşunu çiviler, madeni paralar, vb. gibi başka metal nesnelere aynı kaba koymaktan kaçının.
 - (3) Batarya kartuşunu yağmura ya da suya maruz bırakmayın.

Bataryada bir kısa devre büyük bir elektrik akımına, aşırı ısınmaya, olası yanıklara ve hatta bir bozulmaya neden olabilir.

6. Aleti ve batarya kartuşunu sıcaklığın 50°C'yi geçtiği ortamlarda saklamayın.
7. Batarya kartuşunu ciddi hasar görmüş ya da tamamen kullanılmaz hale gelmiş olsa bile ateşe atmayın. Batarya kartuşu ateşin içinde patlayabilir.
8. Bataryası düşürmemeye ya da darbe almamasına dikkat edin.
9. Zarar gören bataryası kullanmayın.
10. Bataryanın elden çıkarılması ile ilgili yerel düzenlemelere uyunuz.

BU TALİMATLARI SAKLAYIN.

Maksimum batarya ömrünü koruma için tavsiyeler

1. Batarya kartuşunu tamamen boşalmadan şarj edin.
Aletin gücünün zayıfladığını fark ettiğiniz zaman daima kullanmayı durdurarak batarya kartuşunu şarj edin.

2. Tam şarjlı bir batarya kartuşunu asla tekrar şarj etmeyin.
Fazla şarj etme bataryanın kullanım ömrünü kısaltır.
3. Batarya kartuşunu 10°C – 40°C oda sıcaklığında şarj edin. Sıcak bir batarya kartuşunu şarj etmeden önce soğumasını bekleyin.
4. Uzun bir süre kullanmadığınız durumlarda batarya kartuşunu altı ayda bir şarj edin.

İŞLEVSEL NİTELİKLER

⚠ DİKKAT:

- Alet üzerinde ayarlama veya işleyiş kontrolü yapmadan önce aletin kapalı ve batarya kartuşunun ayrılması olduğundan daima emin olun.

Batarya kartuşunun takılması ve çıkarılması (Şek. 1)

⚠ DİKKAT:

- Batarya kartuşunu takmadan ya da çıkarmadan önce aleti daima kapatın.
- Batarya dönüştürücüyü takarken veya çıkarırken aleti ve batarya dönüştürücüyü sıkıca tutun. Aletin ve batarya dönüştürücünün sıkıca tutulmaması bunların düşürülmesine ve zarar görmesine ya da ciddi yaralanmalara sebep olabilir.

Batarya kartuşunu çıkarmak için, kartuşun ön tarafındaki düğmeyi kaydırarak kartuşu aletten çıkarın.

Batarya kartuşunu takmak için, batarya kartuşu üzerindeki dili yuvanın çentiği ile hizalayın ve yerine oturtun. Hafif bir tık sesi duyulana kadar itip yerine tam oturmasını sağlayın. Düğmenin üst tarafındaki kırmızı gösterge görünüyorsa tam yerine kilitlenmemiş demektir.

⚠ DİKKAT:

- Batarya kartuşunu daima kırmızı gösterge görünmeyecek şekilde tam olarak takın. Yerine tam oturmazsa, aletten yanlışlıkla düşebilir, sizin ya da çevrenizdeki kişilerin yaralanmasına neden olabilir.
- Batarya kartuşunu zorlayarak takmayın. Kartuş kolay bir şekilde kaymıyorsa doğru yerleştirilmemiş demektir.

Batarya koruma sistemi (Şek. 2)

Alet bir batarya konuma sistemi ile donatılmıştır. Bu sistem motora giden gücü otomatik olarak keserek uzun batarya ömrü sağlar.

Alet ve/veya batarya için aşağıdaki durumlardan biri söz konusu olduğunda aletin işleyişi otomatik olarak durur.

- Aşırı yüklenme:
Alet, anormal derecede yüksek akım çekmesine neden olacak şekilde kullanılmaktadır.
Bu durumda, aleti kapalı duruma getirin ve aletin aşırı yüklenmesine neden olan uygulamayı durdurun. Ardından aleti yeniden çalıştırmak için açık konuma getirin.
- Alet çalışmaya başlamazsa, batarya aşırı ısınmış demektir. Bu durumda, aleti yeniden çalıştırmadan önce bataryanın soğumasını bekleyin.
- Düşük batarya voltajı:
Kalan batarya kapasitesi çok düşüktür ve alet çalışmaz. Bu durum sözlü konusaysa, bataryayı çıkarıp şarj edin.

NOT:

- Aşırı ısınmaya karşı koruma sistemi sadece yıldız işaretli batarya kartuşlarında çalışır.

Çok işlevli gösterge lambası (Şekil. 3)

İki yerde gösterge lambaları bulunur.

Batarya kartuşu, sürgülü anahtar "O (OFF)" (kapalı) konumdayken yerleştirildiğinde, gösterge lambası yaklaşık bir saniye kadar titreşir. Titreşmezse, batarya kartuşu ya da gösterge lambası bozuktur.

- Aşırı yük koruması

- Alete aşırı yüklenildiğinde, gösterge lambası yanar. Aletin üzerindeki yük azaldığında lamba söner.
- Alete yüklenilmeye devam edilirse ve gösterge lambası yaklaşık iki saniye yanarsa alet durur. Böylece motorun ve diğer parçaların hasar görmesi önlenir.
- Bu durum söz konusu olursa, aleti tekrar çalıştırmak için, sürgülü anahtarı önce "O (OFF)" (kapalı) konuma getirip sonra tekrar "I (ON)" (açık) konuma getirin.

- Batarya kartuşunu değiştirme sinyali

- Kalan batarya kapasitesi azaldığında, yeterli pil kapasitesi kullanılıp bitmeden önce gösterge lambaları yanar.

- Yanlışlıkla yeniden çalıştırmayı önleme fonksiyonu

- Batarya kartuşu, sürgülü anahtar "I (ON)" (açık) konumdayken alete yerleştirilebile, alet çalışmaya başlamaz. Böyle bir durumda, lamba yavaşça titreşir ve bu yanlışlıkla yeniden çalıştırmayı önleme fonksiyonun devrede olduğunu gösterir.
- Aleti çalıştırmak için, sürgülü anahtarı önce "O (OFF)" (kapalı) konuma getirip ardından tekrar "I (ON)" (açık) konuma getirmeniz gerekecektir.

Oluk açma derinliğini ayarlama (Şekil. 4)

Kullanılacak bisküvinin büyüklüğüne bağlı olarak 6 oluk açma derinliği önceden ayarlanabilir.

Durdurucu üstündeki ölçülerle bisküvi ölçüsü arasındaki ilişki için aşağıdaki tabloya bakın. Oluk açma derinliğinin ince ayarı altigen somun gevşetildikten sonra ayar vidası döndürülerek yapılabilir. Bu, bıçak birkaç kez yeniden bilindikten sonra gerekli olabilir.

Durdurucu üstündeki ölçü	0	10	20	S	D	MAKS.
Bisküvi ölçüsü	0	10	20	—	—	—
Oluk açma derinliği	8 mm	10 mm	12,3 mm	13 mm	14,7 mm	20 mm*

* Kauçuk civiler çıkarıldığında.

012681

Köşe kılavuzu (Şekil. 5 ve 6)

Köşe kılavuz yüksekliği aşağı ve yukarı hareket ettirilerek bıçağın iş parçasının üstüne göre konumu ayarlanabilir.

Köşe kılavuzunun yüksekliğini ayarlamak için, kilitleme kolunu aşağı doğru gevşetin ve kontrol düğmesini gösterge köşe kılavuzu üstünde istenilen derecelendirme ölçüsünün gösterinceye kadar döndürün.

Sonra köşe kılavuzunu sabitlemek için kilitleme kolunu yukarı kaldırarak sıkın. Köşe kılavuzu üstündeki ölçek iş parçasının üstünden bıçak kalınlığının ortasına kadar olan mesafeyi gösterir.

Köşe kılavuzu, yaptığınızı işin gereksinimlerine göre kenarlıktan ayrılabilir. Köşe kılavuzunu çıkarmak için, kilitleme kolunu gevşetin ve kılavuz kenarlığın üst kenarından çıkana kadar kontrol düğmesini saat yönünde döndürün.

Kenarlık (Şekil. 7 ve 8)

NOT:

- Aleti, kenarlık açısı 0°'den farklı bir açığa ayarlanmış olarak kullandığınızda, yaptığınız işin gereksinimlerine göre köşe kılavuzunu çıkarabilirsiniz. Köşe kılavuzunu yukarıda belirtilen koşullarda kullanmanız gerektiğinde, oluk açma derinliğini doğru derinliğe ayarladığınızdan emin olun.

Kenarlık açısı 0° ve 90° arasında ayarlanabilir (0°, 45° ve 90° kademelerinde). Açığı ayarlamak için, kilitleme kolunu gevşetin ve kenarlığı gösterge açı cetveli üstünde istenilen derecelendirme ölçüsünü gösterinceye kadar eğin. Sonra kenarlığı sabitlemek için kilitleme kolunu sıkın. Kenarlık 90°'ye ayarlandığı zaman, bıçak kalınlığının ortasından hem kenarlığa kadar hem de tabanın dibine kadar olan mesafeler 10 mm'dir.

Ayar plakası (Şekil. 9 ve 10)

İnce iş parçalarında oluk açarken ayar plakasını Şekil. 9 ve 10'de gösterildiği gibi kullanın.

Anahtar işlevişi (Şekil. 11)

⚠ DİKKAT:

- Batarya kartuşunu alete yerleştirmeden önce, sürgülü anahtarın düzgün bir şekilde işleyip işlemediğini ve anahtarın arka kısmına basıldığında "OFF" (kapalı) konuma geçip geçemediğini daima kontrol edin.
- Uzun süreli kullanımlarda operatöre kullanım kolaylığı sağlamak için anahtar "ON" (açık) konumunda kilitlenebilir. Aleti "ON" (açık) konuma kilitletken dikkatli olun ve aleti sıkıca kavrayın.

Aleti çalıştırmak için, sürgülü anahtarı "I (ON)" (açık) konumuna doğru kaydırın. Sürekli çalışma için sürgülü anahtarı ön tarafına basarak kilitleyin.

Aleti durdurmak için, sürgülü anahtarın arka tarafına bastırın ve sonra "O (OFF)" (kapalı) konumuna doğru kaydırın.

MONTAJ

⚠ DİKKAT:

- Alet üzerinde herhangi bir iş yapmadan önce aletin kapalı ve batarya kartuşunun ayrılmış olduğundan daima emin olun.

Bıçağı çıkarma ve takma (Şekil. 12)

⚠ DİKKAT:

- Zıvına açma bıçağını takarken, iç flanşı "22" işaretili tarafı size bakacak şekilde monte edin.

Bıçağı çıkarmak için, sıkma vidasını gevşetin ve bıçak mahfazasını açın. Şaft kilidini itin ve kilit somunu anahtarla kilit somununu gevşetin. Bıçağı takmak için, önce iç flanşı monte edin.

Sonra bıçağı ve kilit somununu takın. Kilit somunu anahtarla kilit somununu içine sıkın. Bıçak mahfazasını kapatın ve sıkma vidasını sıkarak bıçak mahfazasını sabitleyin.

⚠ DİKKAT:

- Bıçağı takmak veya çıkarmak için sadece verilen Makita kilit somunu anahtarını kullanın.
- Bıçağı değiştirdikten sonra oluk açma derinliğini daima kontrol edin. Gerekirse tekrar ayarlayın.

Toz torbası (Şekil. 13)

Toz torbasını takmak için, onu toz ağızlığının üstüne geçirin. Eğer toz torbası çalışmanızı engellerse, toz torbasının konumunu değiştirmek için toz ağızlığını döndürün.

Toz torbasının yaklaşık yarısı dolduğunda aleti kapatın ve batarya kartuşunu çıkarın. Toz torbasını aletten çıkarın ve torbanın tutturucusunu dışarı çekin. Mümkün olduğu kadar çok tozun çıkması için toz torbasını üzerine hafifçe vurarak boşaltın.

NOT:

- Zivına açma makinasına bir Makita elektrikli süpürge takarsanız daha verimli ve temiz şekilde çalışabilirsiniz.

KULLANIM

Ekleme yapma

⚠ UYARI:

- Her kullanımdan önce iş parçasını mutlaka tezgaha tutturun. (Şekil. 14 ve 15)

Köşeli Ekleme (Şek. 16, 17 ve 18)

T-Düz Ekleme (Şek. 19, 20 ve 21)

Gönyeli Ekleme (Şek. 22 ve 23)

Çerçeve Ekleme (Şek. 24 ve 25)

Yan Yana Ekleme (Şek. 26 ve 27)

Ekleme yapmak için, aşağıdaki adımları izleyin:

1. İki iş parçasını eklenmiş olarak nasıl gözükeceklerse o şekilde bir araya getirin.
2. Bir kurşun kalemle iş parçası üstünde açmak istediğiniz bisküvi oyuklarının ortasını işaretleyin.

NOT:

- Oyukların ortası iş parçasının dış kenarından en az 50 mm mesafede olmalıdır.
- Birden çok bisküvi uygulamasındaki oyuklar arasında 100 mm – 150 mm bırakın.

3. Sadece Köşeli Ekleme ve T-Düz Ekleme için

Dik iş parçasını çalışma tezgahına mengineleyin.

Sadece Gönyeli Ekleme için

Bir iş parçasını eğik kenarı yukarı bakacak şekilde mengineyle çalışma tezgahına bağlayın.

Sadece Çerçeve Ekleme ve Yan Yana Ekleme için

Bir iş parçasını çalışma tezgahına mengineleyin.

4. Oluk açma derinliğini, kullanılan bisküvi boyutuna göre ayarlayın. "Oluk açma derinliğini ayarlama" bölümündeki tabloya bakın.
5. Köşe kılavuzunun yüksekliğini bıçak levha kalınlığının ortasına gelecek şekilde ayarlayın.
6. Tabandaki orta işaretini iş parçasındaki kurşun kalem çizgisiyle hizalayın.
7. Aleti çalıştırın ve bıçağı iş parçasına geçirmek için hafifçe ileri itin.
8. Ayar vidası durdurucuya ulaştıktan sonra aleti yavaşça ilk konumuna geri çekin.
9. **Sadece Köşeli Ekleme ve T-Düz Ekleme için** Yatay iş parçasını çalışma tezgahına mengineleyin. **Sadece Gönyeli Ekleme için** Diğer iş parçasını eğik kenarı yukarı bakacak şekilde mengineyle çalışma tezgahına bağlayın. **Sadece Çerçeve Ekleme ve Yan Yana Ekleme için** Diğer iş parçasını çalışma tezgahına mengineleyin.

10. Sadece Köşeli Ekleme için

Aleti bıçak aşağıya bakacak şekilde iş parçası üstüne yerleştirin.

Sadece T-Düz Ekleme için

Köşe kılavuzunu aletten çıkarın. Aleti bıçak aşağıya bakacak şekilde iş parçası üstüne yerleştirin.

11. Yatay olarak ya da diğer iş parçasında oluk açmak için 6 – 8 no.lu adımları tekrar edin.

Bıçağı, levha kalınlığının ortasına hizalamanız gerekmiyorsa, aşağıdaki adımları izleyin:

Sadece Köşe Ekleme, Gönyeli Ekleme, Çerçeve Ekleme ve Yan Yana Ekleme için

- Köşe kılavuzunu aletten çıkarın. Kenarlığı, Köşe Ekleme, Çerçeve Ekleme ve Yan Yana ekleme için 90°'ye, Gönyeli Ekleme için ise 45°'ye ayarlayın.
- Yukarıda açıklanan 1 – 11 adımlarını 5 ve 10 adımları dışında tekrarlayın.

Sadece T-Düz Ekleme için

- İki iş parçasını eklenmiş olarak nasıl gözükeceklerse o şekilde bir araya getirin.
- Dik iş parçasını yatay iş parçası üstüne yatırın. Her iki iş parçasını da çalışma tezgahına mengineleyin.
- Köşe kılavuzunu aletten çıkarın.
- Yukarıda açıklanan 2, 4, 6, 7, 8 ve 11 adımlarını izleyin.

BAKIM

⚠ DİKKAT:

- Alet üzerinde muayene ya da bakım yapmadan önce aletin kapalı ve batarya kartuşunun ayrılmış olduğundan daima emin olun.
- Benzin, tiner, alkol ve benzeri maddeleri kesinlikle kullanmayın. Renk değişimi, deformasyon veya çatlaklar oluşabilir.

Aletin kendisi ve havalandırma kanalları temiz tutulmalıdır. Aletin havalandırma deliklerini düzenli olarak ya da delikler tıkanmaya başladığında temizleyin. (Şekil. 28)

Karbon fırçaların değiştirilmesi

Karbon fırçaları düzenli olarak çıkarıp kontrol edin. Sınır işaretine kadar yıprandıkları zaman değiştirin. Karbon fırçaların temiz ve yuvaları içinde serbestçe kayar durumda kalmalarını sağlayın. Her iki karbon fırça aynı zamanda değiştirilmelidir. Sadece birbirinin aynısı olan fırçaları kullanın. (Şekil. 29)

Yarıklı tornavidayı aletin üzerindeki çentiğe yerleştirin ve yuva kapağını kaldırarak açın. (Şekil. 30)

Fırça yuvası kapaklarını çıkarmak için bir tornavida kullanın. Aşınmış karbon fırçalarını dışarı çıkarın, yerlerine yenilerini geçirin ve fırça yuvası kapaklarını açılmayacak şekilde takın. (Şekil. 31)

Yuva kapağını tekrar yerine takın.

Ürün GÜVENLİĞİNİN ve GÜVENİLİRLİĞİNİN sağlanması için onarımlar, diğer tüm bakım ve ayarlama işlemleri Makita Yetkili Servis Merkezlerinde daima Makita yedek parçaları kullanılarak yapılmalıdır.

İSTEĞE BAĞLI AKSESUARLAR

⚠ DİKKAT:

- Bu aksesuarlar ve ek parçalar bu el kitabında belirtilen Makita makinanız ile kullanılmak için tavsiye edilmektedir. Herhangi başka bir aksesuar ya da ek parça kullanılması yaralanma riski doğurabilir. Aksesuarları ya da ek parçaları yalnızca belirtilmiş olan kullanım amaçlarına uygun olarak kullanın.

Bu aksesuarlarla ilgili daha fazla bilgiye ihtiyaç duyarsanız bulunduğunuz yerdeki yetkili Makita servisine başvurun.

- Köşe kılavuzu
- Toz torbası
- Ayar plakası
- Kilit somunu anahtarı
- Zivana açma bıçakları
- Orijinal Makita batarya ve şarj aleti

NOT:

- Listedeki bazı parçalar standart aksesuar olarak ürün paketinin içine dahil edilmiş olabilir. Aksesuarlar ülkeden ülkeye farklılık gösterebilir.

ENG905-1

Gürültü

EN60745 uyarınca hesaplanan tipik A-ağırlıklı gürültü düzeyi:

Model DPJ140

Ses basınç seviyesi (L_{pA}): 73 dB (A)

Belirsizlik (K): 3 dB (A)

İşlem sırasında gürültü seviyesi 80 dB (A)'yi geçebilir.

Model DPJ180

Ses basınç seviyesi (L_{pA}): 74 dB (A)

Belirsizlik (K): 3 dB (A)

İşlem sırasında gürültü seviyesi 80 dB (A)'yi geçebilir.

Kulak koruyucusu takın

ENG900-1

Titreşim

EN60745 standardına göre hesaplanan titreşim toplam değeri (üç eksenli vektör toplamı):

Çalışma modu: MDF'de oluklar kesme

Titreşim emisyonu (a_h): 2,5 m/s² den az

Belirsizlik (K) : 1,5 m/s²

ENG901-1

- Beyan edilen titreşim emisyon değeri standart test yöntemine uygun şekilde ölçülmüştür ve bir aleti bir başkasıyla karşılaştırmak için kullanılabilir.
- Beyan edilen titreşim emisyon değeri bir ön maruz kalma değerlendirmesi olarak da kullanılabilir.

⚠ UYARI:

- Bu elektrikli aletin gerçek kullanımı sırasındaki titreşim emisyonu aletin kullanım biçimlerine bağlı olarak beyan edilen emisyon değerinden farklı olabilir.
- Gerçek kullanım koşullarındaki maruz kalmanın bir tahmini hesaplaması temelinde operatörü koruyacak güvenlik önlemlerini mutlaka belirleyin (çalışma döngüsü içerisinde aletin kapalı olduğu ve aktif durumda olmasının yanı sıra boşta çalıştığı zamanlar gibi, bütün zaman dilimleri göz önünde bulundurularak değerlendirilmelidir).

EC UYGUNLUK BEYANI

Sadece Avrupa ülkeleri için

EC uygunluk beyanı bu kullanım kılavuzuna Ek A olarak eklenmiştir.

Makita Europe N.V. Jan-Baptist Vinkstraat 2,
3070 Kortenberg, Belgium

Makita Corporation 3-11-8, Sumiyoshi-cho,
Anjo, Aichi 446-8502 Japan