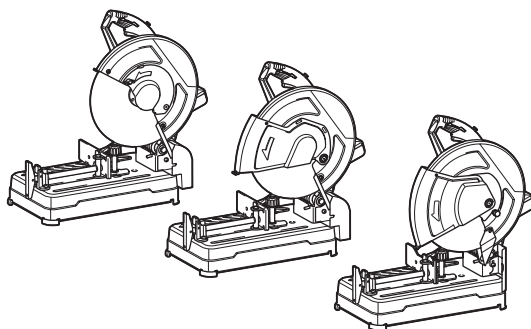




EN	Cordless Portable Cut-off	INSTRUCTION MANUAL	6
ID	Pemotong Portabel Nirkabel	PETUNJUK PENGGUNAAN	15
VI	Máy Cắt Sắt Để Bàn Hoạt Động Bằng Pin	TÀI LIỆU HƯỚNG DẪN	26
TH	เครื่องตัดไฟฟ้าแบบพกพาไร้สาย	คู่มือการใช้งาน	36

DLW140



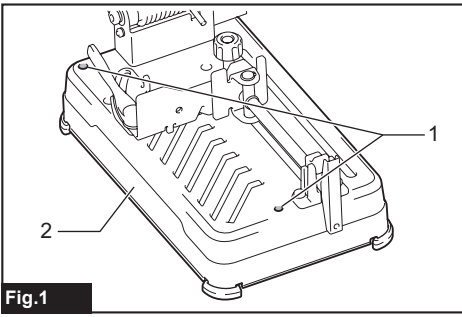


Fig.1

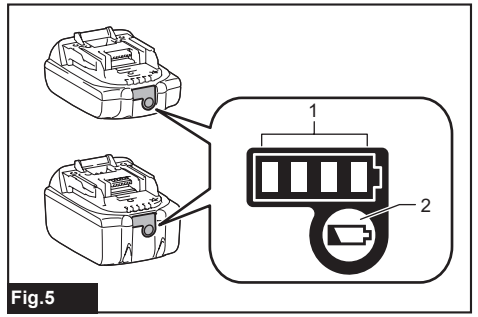


Fig.5

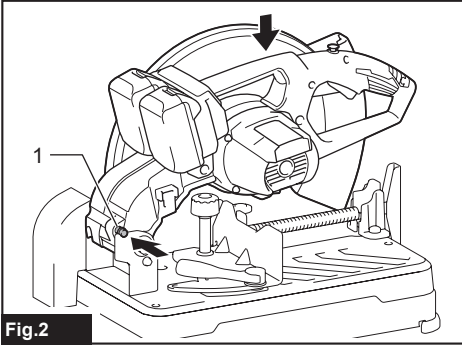


Fig.2

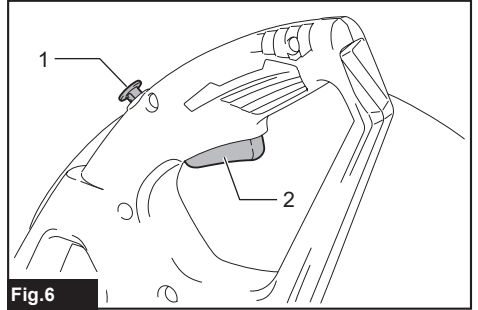


Fig.6

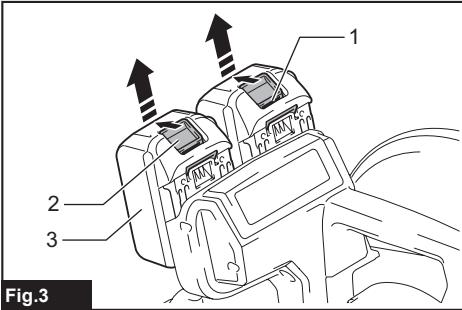


Fig.3

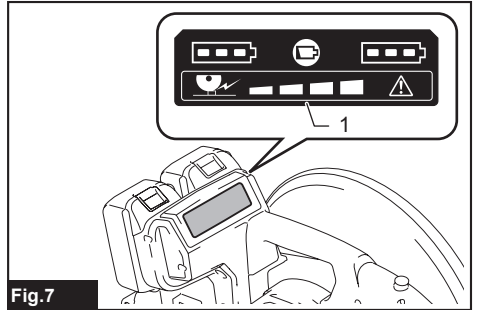


Fig.7

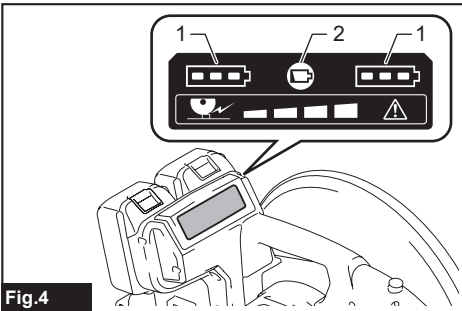


Fig.4

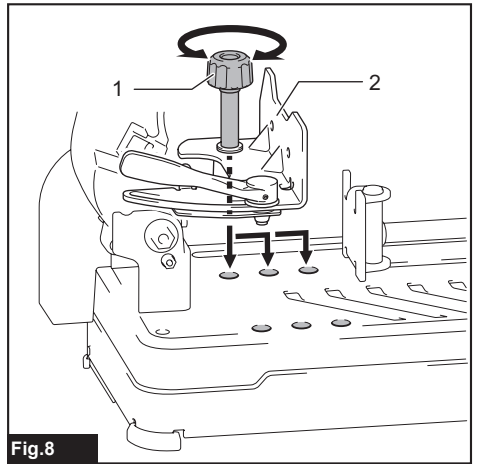
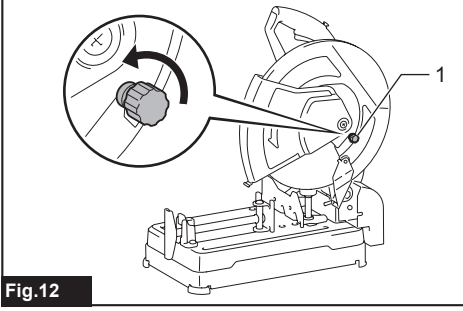
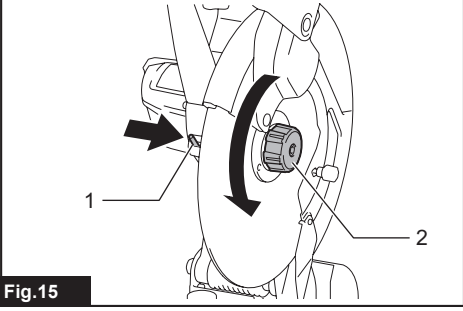
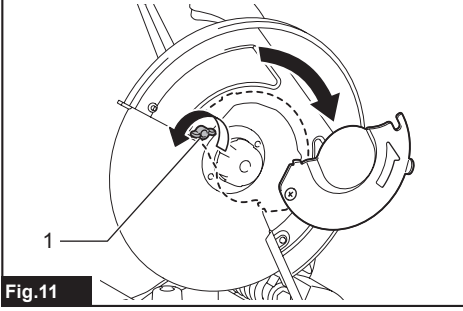
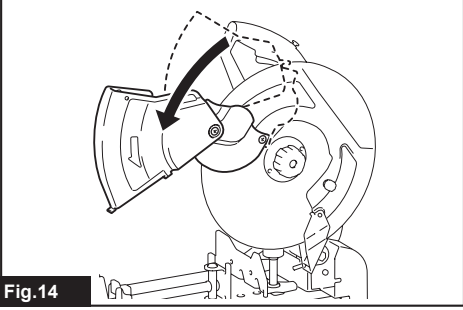
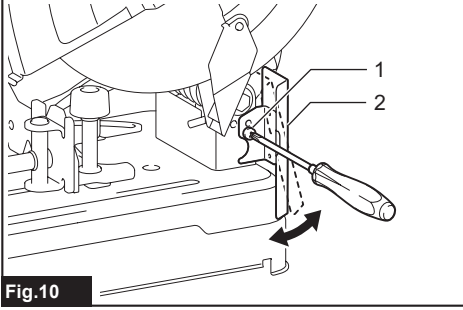
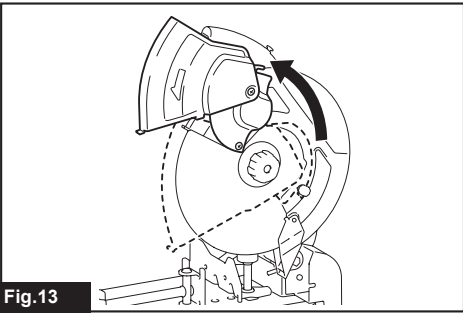
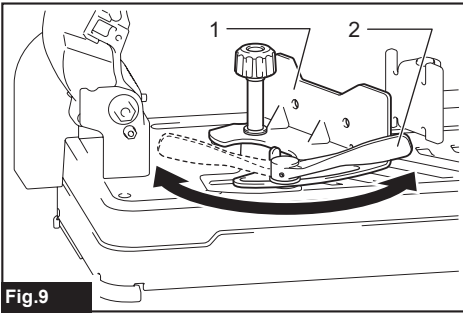


Fig.8



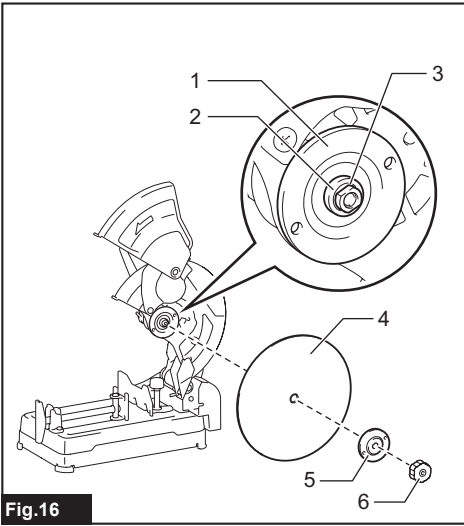


Fig.16

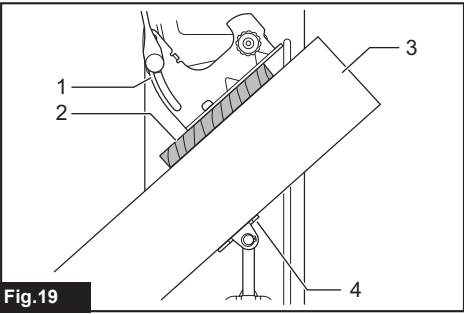


Fig.19

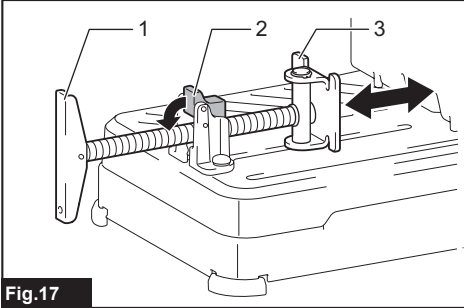


Fig.17

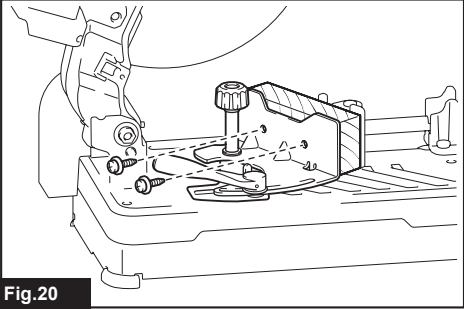


Fig.20

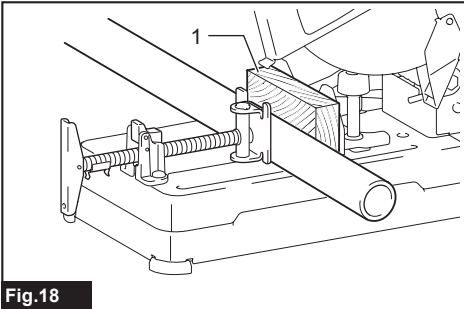


Fig.18

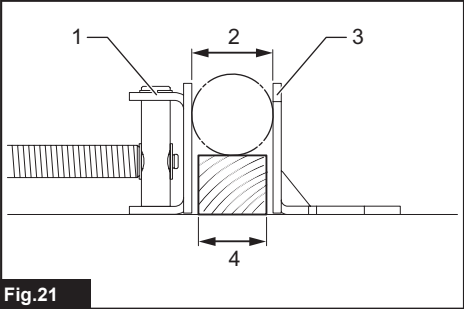


Fig.21

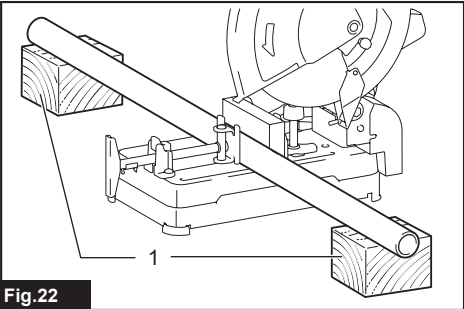


Fig.22

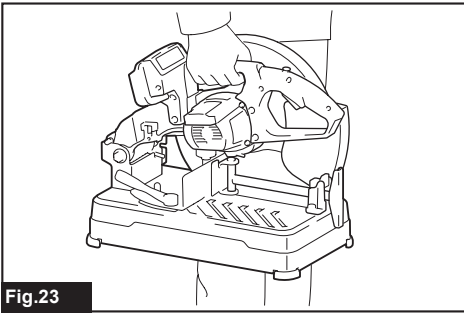


Fig.23

SPECIFICATIONS

Model:		DLW140
Wheel diameter		355 mm
Hole diameter		25.4 mm
Max. wheel thickness		3 mm
No load speed		3,800 min ⁻¹
Rated voltage		D.C. 36 V
Dimensions (L x W x H)	With European type safety guard	537 mm x 290 mm x 640 mm
	With safety guard other than European type	537 mm x 280 mm x 640 mm
	With center cap type safety guard	537 mm x 280 mm x 640 mm
Net weight	With European type safety guard	17.2 - 17.8 kg
	With safety guard other than European type	15.6 - 16.3 kg
	With center cap type safety guard	15.4 - 16.0 kg

- Due to our continuing program of research and development, the specifications herein are subject to change without notice.
- Specifications may differ from country to country.
- The weight may differ depending on the attachment(s), including the battery cartridge. The lightest and heaviest combination, according to EPTA-Procedure 01/2014, are shown in the table.
- The shape and weight vary depending on the specifications which differ country to country.

Applicable battery cartridge and charger

Battery cartridge	BL1815N / BL1820 / BL1820B / BL1830 / BL1830B / BL1840 / BL1840B / BL1850 / BL1850B / BL1860B
Charger	DC18RC / DC18RD / DC18RE / DC18SD / DC18SE / DC18SF

- Some of the battery cartridges and chargers listed above may not be available depending on your region of residence.

⚠ WARNING: Only use the battery cartridges and chargers listed above. Use of any other battery cartridges and chargers may cause injury and/or fire.

Symbols

The following show the symbols used for the equipment. Be sure that you understand their meaning before use.



Wear safety glasses.



Read instruction manual.



Only for EU countries
Do not dispose of electric equipment or battery pack together with household waste material! In observance of the European Directives, on Waste Electric and Electronic Equipment and Batteries and Accumulators and Waste Batteries and Accumulators and their implementation in accordance with national laws, electric equipment and batteries and battery pack(s) that have reached the end of their life must be collected separately and returned to an environmentally compatible recycling facility.

Intended use

The tool is intended for cutting in ferrous materials with appropriate abrasive cut-off wheel. Follow all laws and regulations regarding dust and work area health and safety in your country.

SAFETY WARNINGS

General power tool safety warnings

⚠WARNING: Read all safety warnings, instructions, illustrations and specifications provided with this power tool. Failure to follow all instructions listed below may result in electric shock, fire and/or serious injury.

Save all warnings and instructions for future reference.

The term "power tool" in the warnings refers to your mains-operated (corded) power tool or battery-operated (cordless) power tool.

Work area safety

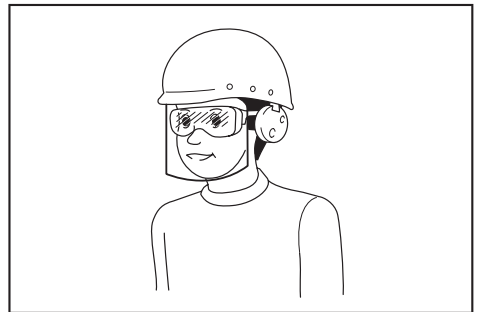
1. **Keep work area clean and well lit.** Cluttered or dark areas invite accidents.
2. **Do not operate power tools in explosive atmospheres, such as in the presence of flammable liquids, gases or dust.** Power tools create sparks which may ignite the dust or fumes.
3. **Keep children and bystanders away while operating a power tool.** Distractions can cause you to lose control.

Electrical Safety

1. **Power tool plugs must match the outlet. Never modify the plug in any way. Do not use any adapter plugs with earthed (grounded) power tools.** Unmodified plugs and matching outlets will reduce risk of electric shock.
2. **Avoid body contact with earthed or grounded surfaces, such as pipes, radiators, ranges and refrigerators.** There is an increased risk of electric shock if your body is earthed or grounded.
3. **Do not expose power tools to rain or wet conditions.** Water entering a power tool will increase the risk of electric shock.
4. **Do not abuse the cord. Never use the cord for carrying, pulling or unplugging the power tool. Keep cord away from heat, oil, sharp edges or moving parts.** Damaged or entangled cords increase the risk of electric shock.
5. **When operating a power tool outdoors, use an extension cord suitable for outdoor use.** Use of a cord suitable for outdoor use reduces the risk of electric shock.
6. **If operating a power tool in a damp location is unavoidable, use a residual current device (RCD) protected supply.** Use of an RCD reduces the risk of electric shock.
7. **Power tools can produce electromagnetic fields (EMF) that are not harmful to the user.** However, users of pacemakers and other similar medical devices should contact the maker of their device and/or doctor for advice before operating this power tool.

Personal Safety

1. **Stay alert, watch what you are doing and use common sense when operating a power tool. Do not use a power tool while you are tired or under the influence of drugs, alcohol or medication.** A moment of inattention while operating power tools may result in serious personal injury.
2. **Use personal protective equipment. Always wear eye protection.** Protective equipment such as a dust mask, non-skid safety shoes, hard hat or hearing protection used for appropriate conditions will reduce personal injuries.
3. **Prevent unintentional starting. Ensure the switch is in the off-position before connecting to power source and/or battery pack, picking up or carrying the tool.** Carrying power tools with your finger on the switch or energising power tools that have the switch on invites accidents.
4. **Remove any adjusting key or wrench before turning the power tool on.** A wrench or a key left attached to a rotating part of the power tool may result in personal injury.
5. **Do not overreach. Keep proper footing and balance at all times.** This enables better control of the power tool in unexpected situations.
6. **Dress properly. Do not wear loose clothing or jewellery. Keep your hair and clothing away from moving parts.** Loose clothes, jewellery or long hair can be caught in moving parts.
7. **If devices are provided for the connection of dust extraction and collection facilities, ensure these are connected and properly used.** Use of dust collection can reduce dust-related hazards.
8. **Do not let familiarity gained from frequent use of tools allow you to become complacent and ignore tool safety principles.** A careless action can cause severe injury within a fraction of a second.
9. **Always wear protective goggles to protect your eyes from injury when using power tools. The goggles must comply with ANSI Z87.1 in the USA, EN 166 in Europe, or AS/NZS 1336 in Australia/New Zealand. In Australia/New Zealand, it is legally required to wear a face shield to protect your face, too.**



It is an employer's responsibility to enforce the use of appropriate safety protective equipments by the tool operators and by other persons in the immediate working area.

Power tool use and care

1. **Do not force the power tool. Use the correct power tool for your application.** The correct power tool will do the job better and safer at the rate for which it was designed.
2. **Do not use the power tool if the switch does not turn it on and off.** Any power tool that cannot be controlled with the switch is dangerous and must be repaired.
3. **Disconnect the plug from the power source and/or remove the battery pack, if detachable, from the power tool before making any adjustments, changing accessories, or storing power tools.** Such preventive safety measures reduce the risk of starting the power tool accidentally.
4. **Store idle power tools out of the reach of children and do not allow persons unfamiliar with the power tool or these instructions to operate the power tool.** Power tools are dangerous in the hands of untrained users.
5. **Maintain power tools and accessories. Check for misalignment or binding of moving parts, breakage of parts and any other condition that may affect the power tool's operation. If damaged, have the power tool repaired before use.** Many accidents are caused by poorly maintained power tools.
6. **Keep cutting tools sharp and clean.** Properly maintained cutting tools with sharp cutting edges are less likely to bind and are easier to control.
7. **Use the power tool, accessories and tool bits etc. in accordance with these instructions, taking into account the working conditions and the work to be performed.** Use of the power tool for operations different from those intended could result in a hazardous situation.
8. **Keep handles and grasping surfaces dry, clean and free from oil and grease.** Slippery handles and grasping surfaces do not allow for safe handling and control of the tool in unexpected situations.
9. **When using the tool, do not wear cloth work gloves which may be entangled.** The entanglement of cloth work gloves in the moving parts may result in personal injury.

Battery tool use and care

1. **Recharge only with the charger specified by the manufacturer.** A charger that is suitable for one type of battery pack may create a risk of fire when used with another battery pack.
2. **Use power tools only with specifically designated battery packs.** Use of any other battery packs may create a risk of injury and fire.
3. **When battery pack is not in use, keep it away from other metal objects, like paper clips, coins, keys, nails, screws or other small metal objects, that can make a connection from one terminal to another.** Shorting the battery terminals together may cause burns or a fire.
4. **Under abusive conditions, liquid may be ejected from the battery; avoid contact. If contact accidentally occurs, flush with water. If liquid contacts eyes, additionally seek medical help.** Liquid ejected from the battery may cause irritation or burns.

5. **Do not use a battery pack or tool that is damaged or modified.** Damaged or modified batteries may exhibit unpredictable behaviour resulting in fire, explosion or risk of injury.
6. **Do not expose a battery pack or tool to fire or excessive temperature.** Exposure to fire or temperature above 130 °C may cause explosion.
7. **Follow all charging instructions and do not charge the battery pack or tool outside the temperature range specified in the instructions.** Charging improperly or at temperatures outside the specified range may damage the battery and increase the risk of fire.

Service

1. **Have your power tool serviced by a qualified repair person using only identical replacement parts.** This will ensure that the safety of the power tool is maintained.
2. **Never service damaged battery packs.** Service of battery packs should only be performed by the manufacturer or authorized service providers.
3. **Follow instruction for lubricating and changing accessories.**

Cut-off machine safety warnings

1. **Position yourself and bystanders away from the plane of the rotating wheel.** The guard helps to protect the operator from broken wheel fragments and accidental contact with wheel.
2. **Use only bonded reinforced cut-off wheels for your power tool.** Just because an accessory can be attached to your power tool, it does not assure safe operation.
3. **The rated speed of the accessory must be at least equal to the maximum speed marked on the power tool.** Accessories running faster than their rated speed can break and fly apart.
4. **Wheels must be used only for recommended applications. For example: do not grind with the side of a cut-off wheel.** Abrasive cut-off wheels are intended for peripheral grinding, side forces applied to these wheels may cause them to shatter.
5. **Always use undamaged wheel flanges that are of correct diameter for your selected wheel.** Proper wheel flanges support the wheel thus reducing the possibility of wheel breakage.
6. **The outside diameter and the thickness of your accessory must be within the capacity rating of your power tool.** Incorrectly sized accessories cannot be adequately guarded or controlled.
7. **The arbour size of wheels and flanges must properly fit the spindle of the power tool.** Wheels and flanges with arbour holes that do not match the mounting hardware of the power tool will run out of balance, vibrate excessively and may cause loss of control.

8. **Do not use damaged wheels. Before each use, inspect the wheels for chips and cracks. If the power tool or wheel is dropped, inspect for damage or install an undamaged wheel. After inspecting and installing the wheel, position yourself and bystanders away from the plane of the rotating wheel and run the power tool at maximum no load speed for one minute.** Damaged wheels will normally break apart during this test time.
9. **Wear personal protective equipment. Depending on application, use face shield, safety goggles or safety glasses. As appropriate, wear dust mask, hearing protectors, gloves and shop apron capable of stopping small abrasive or workpiece fragments.** The eye protection must be capable of stopping flying debris generated by various operations. The dust mask or respirator must be capable of filtering particles generated by your operation. Prolonged exposure to high intensity noise may cause hearing loss.
10. **Keep bystanders a safe distance away from work area. Anyone entering the work area must wear personal protective equipment.** Fragments of workpiece or of a broken wheel may fly away and cause injury beyond immediate area of operation.
11. **Regularly clean the power tool's air vents.** The motor's fan can draw the dust inside the housing and excessive accumulation of powdered metal may cause electrical hazards.
12. **Do not operate the power tool near flammable materials. Do not operate the power tool while placed on a combustible surface such as wood.** Sparks could ignite these materials.
13. **Do not use accessories that require liquid coolants.** Using water or other liquid coolants may result in electrocution or shock.
3. **Do not attach a saw chain, woodcarving blade, segmented diamond wheel with a peripheral gap greater than 10 mm or toothed saw blade.** Such blades create frequent kickback and loss of control.
4. **Do not "jam" the wheel or apply excessive pressure. Do not attempt to make an excessive depth of cut.** Overstressing the wheel increases the loading and susceptibility to twisting or binding of the wheel in the cut and the possibility of kickback or wheel breakage.
5. **When the wheel is binding or when interrupting a cut for any reason, switch off the power tool and hold the cutting unit motionless until the wheel comes to a complete stop. Never attempt to remove the wheel from the cut while the wheel is in motion otherwise kickback may occur.** Investigate and take corrective action to eliminate the cause of wheel binding.
6. **Do not restart the cutting operation in the workpiece. Let the wheel reach full speed and carefully re-enter the cut.** The wheel may bind, walk up or kickback if the power tool is restarted in the workpiece.
7. **Support any oversized workpiece to minimize the risk of wheel pinching and kickback.** Large workpieces tend to sag under their own weight. Supports must be placed under the workpiece near the line of cut and near the edge of the workpiece on both sides of the wheel.

Additional safety warnings

1. **Watch out for flying sparks when operating.** They can cause injury or ignite combustible materials.
2. **Secure work. Use clamps or a vise to hold work when practical.** It's safer than using your hand and it frees both hands to operate tool.
3. **Secure the cut-off wheel carefully.**
4. **Be careful not to damage the spindle, flanges (especially the installing surface) or bolt, or the cut-off wheel itself might break.**
5. **Keep guards in place and in working order.**
6. **Hold the handle firmly.**
7. **Keep hands away from rotating parts.**
8. **Make sure the cut-off wheel is not contacting the work-piece before the switch is turned on.**
9. **Before each use, watch for flutter or excessive vibration that might be caused by poor installation or a poorly balanced wheel.**
10. **Remove material or debris from the area that might be ignited by sparks. Be sure that others are not in the path of the sparks. Keep a proper, charged fire extinguisher closely available.**
11. **If the cut-off wheel stops during the operation, makes an odd noise or begins to vibrate, switch off the tool immediately.**
12. **Always switch off and wait for the cut-off wheel to come to a complete stop before removing, securing workpiece, working vise, changing work position, angle or the cut-off wheel itself.**

Kickback and related warnings

Kickback is a sudden reaction to a pinched or snagged rotating wheel. Pinching or snagging causes rapid stalling of the rotating wheel which in turn causes the uncontrolled cutting unit to be forced upwards toward the operator.

For example, if an abrasive wheel is snagged or pinched by the workpiece, the edge of the wheel that is entering into the pinch point can dig into the surface of the material causing the wheel to climb out or kick out. Abrasive wheels may also break under these conditions.

Kickback is the result of power tool misuse and/or incorrect operating procedures or conditions and can be avoided by taking proper precautions as given below.

1. **Maintain a firm grip on the power tool and position your body and arm to allow you to resist kickback forces.** The operator can control upward kickback forces, if proper precautions are taken.
2. **Do not position your body in line with the rotating wheel.** If kickback occurs, it will propel the cutting unit upwards toward the operator.

13. Do not touch the workpiece immediately after operation; it is extremely hot and could burn your skin.
14. Store wheels in a dry location only.

SAVE THESE INSTRUCTIONS.

Important safety instructions for battery cartridge

1. Before using battery cartridge, read all instructions and cautionary markings on (1) battery charger, (2) battery, and (3) product using battery.
2. Do not disassemble battery cartridge.
3. If operating time has become excessively shorter, stop operating immediately. It may result in a risk of overheating, possible burns and even an explosion.
4. If electrolyte gets into your eyes, rinse them out with clear water and seek medical attention right away. It may result in loss of your eyesight.
5. Do not short the battery cartridge:
 - (1) Do not touch the terminals with any conductive material.
 - (2) Avoid storing battery cartridge in a container with other metal objects such as nails, coins, etc.
 - (3) Do not expose battery cartridge to water or rain.

A battery short can cause a large current flow, overheating, possible burns and even a breakdown.
6. Do not store the tool and battery cartridge in locations where the temperature may reach or exceed 50 °C (122 °F).
7. Do not incinerate the battery cartridge even if it is severely damaged or is completely worn out. The battery cartridge can explode in a fire.
8. Be careful not to drop or strike battery.
9. Do not use a damaged battery.
10. The contained lithium-ion batteries are subject to the Dangerous Goods Legislation requirements.

For commercial transports e.g. by third parties, forwarding agents, special requirement on packaging and labeling must be observed.

For preparation of the item being shipped, consulting an expert for hazardous material is required. Please also observe possibly more detailed national regulations.

Tape or mask off open contacts and pack up the battery in such a manner that it cannot move around in the packaging.

11. Follow your local regulations relating to disposal of battery.
12. Use the batteries only with the products specified by Makita. Installing the batteries to non-compliant products may result in a fire, excessive heat, explosion, or leak of electrolyte.

SAVE THESE INSTRUCTIONS.

⚠ CAUTION: Only use genuine Makita batteries. Use of non-genuine Makita batteries, or batteries that have been altered, may result in the battery bursting causing fires, personal injury and damage. It will also void the Makita warranty for the Makita tool and charger.

Tips for maintaining maximum battery life

1. Charge the battery cartridge before completely discharged. Always stop tool operation and charge the battery cartridge when you notice less tool power.
2. Never recharge a fully charged battery cartridge. Overcharging shortens the battery service life.
3. Charge the battery cartridge with room temperature at 10 °C - 40 °C (50 °F - 104 °F). Let a hot battery cartridge cool down before charging it.
4. Charge the battery cartridge if you do not use it for a long period (more than six months).

INSTALLATION

⚠ WARNING: This tool produces spark when cutting a workpiece. Do not install this tool in the place in which flammable and/or explosive materials might be ignited by the spark from the tool. Also make sure that there is no such material near the tool before starting the operation.

Securing the base

This tool should be bolted with two bolts to a level and stable surface using the bolt holes provided in the tool's base. This will help prevent tipping over and possible personal injury.

► Fig.1: 1. Bolt holes 2. Base

FUNCTIONAL DESCRIPTION

⚠ WARNING: Always be sure that the tool is switched off and the battery cartridge is removed before adjusting or checking the functions on the tool. Failure to switch off and remove the battery cartridge may result in serious personal injury from accidental start-up.

Unlocking/locking tool head

The tool head can be locked. Always lock the tool head when not in use or carrying.

To unlock, depress the tool head slightly and push the lock pin. To lock, return the lock pin while holding down the tool head.

► **Fig.2:** 1. Lock pin

Installing or removing battery cartridge

⚠ CAUTION: Always switch off the tool before installing or removing of the battery cartridge.

⚠ CAUTION: Hold the tool and the battery cartridge firmly when installing or removing battery cartridge. Failure to hold the tool and the battery cartridge firmly may cause them to slip off your hands and result in damage to the tool and battery cartridge and a personal injury.

► **Fig.3:** 1. Red indicator 2. Button 3. Battery cartridge

To remove the battery cartridge, slide it from the tool while sliding the button on the front of the cartridge.

To install the battery cartridge, align the tongue on the battery cartridge with the groove in the housing and slip it into place. Insert it all the way until it locks in place with a little click. If you can see the red indicator on the upper side of the button, it is not locked completely.

⚠ CAUTION: Always install the battery cartridge fully until the red indicator cannot be seen. If not, it may accidentally fall out of the tool, causing injury to you or someone around you.

⚠ CAUTION: Do not install the battery cartridge forcibly. If the cartridge does not slide in easily, it is not being inserted correctly.

NOTE: The tool does not work with only one battery cartridge.

Tool / battery protection system

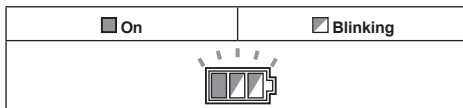
The tool is equipped with a tool/battery protection system. This system automatically cuts off power to the motor to extend tool and battery life. The tool will automatically stop during operation if the tool or battery is placed under one of the following conditions.

Overload protection

When the tool is operated in a manner that causes it to draw an abnormally high current, the tool automatically stops. In this situation, turn the tool off and stop the application that caused the tool to become overloaded. Then turn the tool on to restart.

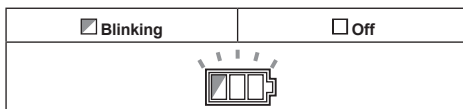
Overheat protection

When the tool is overheated, the tool stops automatically, and the battery indicator blink about 60 seconds. In this situation, let the tool cool down before turning the tool on again.



Overdischarge protection





When the battery capacity becomes low, the tool stops automatically and the battery indicator of the depleted battery cartridge will blink. If the product does not operate even when the switches are operated, remove the depleted battery cartridge from the tool and charge it.



Indicating the remaining battery capacity

► **Fig.4:** 1. Battery indicator 2. Check button

Press the check button to indicate the remaining battery capacities. The battery indicators correspond to each battery.

Battery indicator status			Remaining battery capacity
<input checked="" type="checkbox"/> On	<input type="checkbox"/> Off	<input type="checkbox"/> Blinking	
			50% to 100%
			20% to 50%
			0% to 20%
			Charge the battery

Indicating the remaining battery capacity

Only for battery cartridges with the indicator

► Fig.5: 1. Indicator lamps 2. Check button

Press the check button on the battery cartridge to indicate the remaining battery capacity. The indicator lamps light up for a few seconds.

Indicator lamps			Remaining capacity
Lighted	Off	Blinking	
■	□	▧	75% to 100%
■	■	■	
■	■	■	
■	■	□	
■	■	□	50% to 75%
■	□	□	25% to 50%
■	□	□	0% to 25%
▧	□	□	Charge the battery.
■	■	□	The battery may have malfunctioned.
□	□	■	

NOTE: Depending on the conditions of use and the ambient temperature, the indication may differ slightly from the actual capacity.

Switch action

WARNING: Before installing the battery cartridge into the tool, always check to see that the switch trigger actuates properly and returns to the "OFF" position when released.

► Fig.6: 1. Lock-off button 2. Switch trigger

To prevent the switch trigger from being accidentally pulled, a lock-off button is provided. To start the tool, press the lock-off button and pull the switch trigger. Release the switch trigger to stop.

WARNING: NEVER defeat the lock-off button by taping down or some other means. A switch with a negated lock-off button may result in unintentional operation and serious personal injury.

WARNING: NEVER use the tool if it runs when you simply pull the switch trigger without pressing the lock-off button. A switch in need of repair may result in unintentional operation and serious personal injury. Return tool to a Makita service center for proper repairs BEFORE further usage.

NOTICE: Do not pull the switch trigger hard without pressing in the lock-off button. This can cause switch breakage.

Load status indicator

The load status indicator shows the level of the load on the motor during cutting operation. As the load on the motor increases, the number of lighting lamp increases.

► Fig.7: 1. Load status indicator

Overload alert

If the motor is operated with excessive load, all lamps of the load status indicator will blink. In this case, reduce the load on the motor. If you continue to load the motor while the load status indicator is blinking, the tool will automatically stop in few seconds due to overload protection.

NOTE: If an excessive load is generated at once, the tool automatically stops without blinking of the load status indicator.

Interval between vise and guide plate

CAUTION: After adjusting the interval between the vise and the guide plate, make sure that the guide plate is properly secured. Insufficient fixing may result in personal injury.

The following interval settings of the vise are available:

- 0 - 170 mm (original setting)
- 35 - 205 mm
- 70 - 240 mm

If your work requires different setting, proceed as follows to change the spacing or interval.

Loosen the screw on the guide plate. Move the guide plate to the desired position then tighten the screw.

► Fig.8: 1. Screw 2. Guide plate

Cutting angle adjustment

CAUTION: After adjusting the angle of the guide plate, make sure that the guide plate is properly secured. Insufficient fixing may result in personal injury.

CAUTION: Do not operate the tool when the material is not firmly secured with the vise because of the cutting angle.

Turn the lever counterclockwise. Move the guide plate to the desired angle and fully tighten the lever.

► Fig.9: 1. Guide plate 2. Lever

NOTE: The scale on the guide plate is only a rough indication. For more accurate angle, use a protractor or triangle ruler. Keep the handle down so that the cut-off wheel extends into the base. At the same time, adjust the angle between the guide plate and the cut-off wheel with a protractor or triangle ruler.

Spark guard adjustment

Country specific

The spark guard is factory-installed with its lower edge contacting the base. Operating the tool in this position will cause many sparks to fly around. Loosen the screw and adjust the spark guard to a position at which minimum sparks will fly around.

► **Fig.10:** 1. Screw 2. Spark guard

Electronic function

The tools equipped with electronic function are easy to operate because of the following feature(s).

Soft start feature

Soft start because of suppressed starting shock.

ASSEMBLY

⚠ CAUTION: Always be sure that the tool is switched off and the battery cartridge is removed before working on the tool. Failure to switch off and remove the battery cartridge may result in serious personal injury.

Opening center cap type safety guard

Country specific

For the tools equipped with center cap type safety guard, loosen the clamping screw first then raise the guard.

► **Fig.11:** 1. Clamping screw

Opening European type safety guard

Country specific

For the tools equipped with European type safety guard, loosen the clamping screw first then open the guard as shown.

► **Fig.12:** 1. Clamping screw

► **Fig.13**

► **Fig.14**

Removing or installing cut-off wheel

⚠ CAUTION: Be sure to tighten the toolless clamp securely. Insufficient tightening may result in severe injury.

⚠ CAUTION: Always use only the proper inner and outer flanges which are provided with the tool.

⚠ CAUTION: Always lower the safety guard after replacing the cut-off wheel.

⚠ CAUTION: Wear gloves when handling wheels.

Raise the safety guard. Turn the toolless clamp counterclockwise while holding down the shaft lock. Then remove the toolless clamp, outer flange and cut-off wheel. When removing the cut-off wheel, do not remove the inner flange as well as the ring and O-ring.

► **Fig.15:** 1. Shaft lock 2. Toolless clamp

► **Fig.16:** 1. Inner flange 2. Ring 3. O-ring 4. Cut-off wheel 5. Outer flange 6. Toolless clamp

To install the cut-off wheel, follow the removal procedures in reverse. Make sure to fit the hole of cut-off wheel to the ring and return the safety guard.

OPERATION


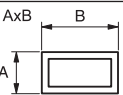
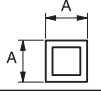

⚠ CAUTION: Proper handle pressure during cutting and maximum cutting efficiency can be determined by the amount of sparks that is produced while cutting. Do not force the cut by applying excessive pressure on the handle. Reduced cutting efficiency, premature wheel wear, as well as, possible damage to the tool, cut-off wheel or workpiece may result.

Hold the handle firmly. Switch on the tool and wait until the cut-off wheel attains full speed before lowering gently into the cut. When the cut-off wheel contacts the workpiece, gradually bear down on the handle to perform the cut. When the cut is completed, switch off the tool and **wait until the cut-off wheel has come to a complete stop** before returning the handle to the fully elevated position.

Cutting capacity

Maximum cutting capacity varies depending on the cutting angle and workpiece shape.

Max. cutting capacity with a brand-new cut-off wheel

Cutting angle / Workpiece shape	90°	45°
	∅ 127 mm	∅ 127 mm
	115 x 130 mm 102 x 194 mm 70 x 233 mm	115 x 103 mm
	119 x 119 mm	106 x 106 mm
	137 x 137 mm	100 x 100 mm

NOTE: A workpiece thinner than 1.6 mm is recommended for cutting with this tool.

Securing workpiece

⚠ CAUTION: Always place the thread holder on the shaft threads when securing the workpiece.

Failure to do so may result in insufficient securing of the workpiece. This could cause the workpiece to be ejected or cause a dangerous breakage of the cut-off wheel.

While the thread holder is lifted, the vise plate can be moved in and out quickly. To grip a workpiece, push the handle until the vise plate contacts the workpiece then return the thread holder. Turn the handle clockwise until the workpiece is securely retained.

► **Fig.17:** 1. Handle 2. Thread holder 3. Vise plate

When the cut-off wheel has worn down considerably, place a spacer block behind the workpiece as shown in the figure. You can more efficiently utilize the worn wheel by using the mid point on the periphery of the wheel to cut the workpiece. Use a sturdy and non-flammable material for a spacer block.

► **Fig.18:** 1. Spacer block

When cutting workpieces over 85 mm wide at an angle, attach a straight piece of wood (spacer) over 190 mm long x 40 mm wide to the guide plate as shown in the figure. Attach this spacer with screws through the holes in the guide plate. Make sure that the cut-off wheel does not contact the spacer when the tool head is depressed.

► **Fig.19:** 1. Guide plate 2. Spacer block (over 190 mm long x40 mm wide) 3. Workpiece (over 85 mm wide) 4. Vise plate

NOTICE: When using a spacer block, install the guide plate to the position nearest to the neck of the tool head.

► **Fig.20**

When the cut-off wheel has worn down, raise the cutting position by putting a spacer block which is slightly narrower than the workpiece as shown in the figure. This will help you to utilize the cut-off wheel economically.

► **Fig.21:** 1. Vise plate 2. Workpiece diameter
3. Guide plate 4. Spacer block width

Long workpieces must be supported by blocks on either side so that it will be level with the base top. Use non-flammable material for supporting blocks.

► **Fig.22:** 1. Supporting block

Carrying tool

Before carrying, remove the batteries and fold down the tool head, and then lock it. Hold the handle when carrying.

► **Fig.23**

MAINTENANCE

⚠ CAUTION: Always be sure that the tool is switched off and the battery cartridge is removed before attempting to perform inspection or maintenance.

NOTICE: Never use gasoline, benzine, thinner, alcohol or the like. Discoloration, deformation or cracks may result.

To maintain product SAFETY and RELIABILITY, repairs, any other maintenance or adjustment should be performed by Makita Authorized or Factory Service Centers, always using Makita replacement parts.

OPTIONAL ACCESSORIES

⚠ CAUTION: These accessories or attachments are recommended for use with your Makita tool specified in this manual. The use of any other accessories or attachments might present a risk of injury to persons. Only use accessory or attachment for its stated purpose.

If you need any assistance for more details regarding these accessories, ask your local Makita Service Center.

- Abrasive cut-off wheels
- Makita genuine battery and charger

NOTE: Some items in the list may be included in the tool package as standard accessories. They may differ from country to country.

SPEKIFIKASI

Model:		DLW140
Diameter roda		355 mm
Diameter lubang		25,4 mm
Ketebalan roda maks.		3 mm
Kecepatan tanpa beban		3.800 min ⁻¹
Tegangan terukur		D.C. 36 V
Dimensi (P x L x T)	Dengan pelindung pengaman tipe Eropa	537 mm x 290 mm x 640 mm
	Dengan pelindung pengaman selain tipe Eropa	537 mm x 280 mm x 640 mm
	Dengan pelindung keselamatan tipe center cap	537 mm x 280 mm x 640 mm
Berat bersih	Dengan pelindung pengaman tipe Eropa	17,2 - 17,8 kg
	Dengan pelindung pengaman selain tipe Eropa	15,6 - 16,3 kg
	Dengan pelindung keselamatan tipe center cap	15,4 - 16,0 kg

- Karena kesinambungan program penelitian dan pengembangan kami, spesifikasi yang disebutkan di sini dapat berubah tanpa pemberitahuan.
- Spesifikasi dapat berbeda dari satu negara ke negara lainnya.
- Berat alat mungkin berbeda tergantung perangkat tambahan yang dipasang, termasuk kartrid baterai. Kombinasi alat terberat dan teringan, sesuai Prosedur EPTA 01/2014, ditunjukkan pada tabel.
- Bentuk dan berat bervariasi tergantung pada spesifikasi, yang berbeda-beda antar negara.

Kartrid dan pengisi daya baterai yang dapat digunakan

Kartrid baterai	BL1815N / BL1820 / BL1820B / BL1830 / BL1830B / BL1840 / BL1840B / BL1850 / BL1850B / BL1860B
Pengisi daya	DC18RC / DC18RD / DC18RE / DC18SD / DC18SE / DC18SF

- Beberapa kartrid baterai dan pengisi daya yang tercantum di atas mungkin tidak tersedia, tergantung wilayah tempat tinggal Anda.

⚠ PERINGATAN: Hanya gunakan kartrid dan pengisi daya baterai yang tercantum di atas. Penggunaan kartrid dan pengisi daya baterai lain dapat menimbulkan risiko cedera dan/atau kebakaran.

Simbol

Berikut ini adalah simbol-simbol yang digunakan pada peralatan ini. Pastikan Anda mengerti makna masing-masing simbol sebelum menggunakan alat.



Gunakan kaca mata pengaman.



Baca petunjuk penggunaan.



Hanya untuk negara-negara Uni Eropa
Jangan membuang peralatan listrik atau baterai bersama-sama dengan bahan limbah rumah tangga! Dengan memerhatikan Petunjuk Eropa, tentang Limbah Peralatan Listrik dan Elektronik serta Baterai dan Akumulator serta Limbah Baterai dan Akumulator dan pelaksanaannya sesuai dengan ketentuan hukum nasional, peralatan listrik dan baterai dan paket baterai yang telah habis umur pakainya harus dikumpulkan secara terpisah dan dikembalikan ke fasilitas daur ulang yang kompatibel secara lingkungan.

Penggunaan

Mesin ini dirancang untuk memotong bahan besi dengan roda pemotong abrasif yang tepat. Patuhi semua hukum dan peraturan tentang kesehatan dan keselamatan yang berkaitan dengan debu dan tempat kerja di negara Anda.

PERINGATAN KESELAMATAN

Peringatan keselamatan umum mesin listrik

⚠️ PERINGATAN: Bacalah semua peringatan keselamatan, petunjuk, ilustrasi dan spesifikasi yang disertakan bersama mesin listrik ini. Kelalaian untuk mematuhi semua petunjuk yang tercantum di bawah ini dapat menyebabkan sengatan listrik, kebakaran dan/atau cedera serius.

Simpanlah semua peringatan dan petunjuk untuk acuan di masa depan.

Istilah "mesin listrik" dalam semua peringatan mengacu pada mesin listrik yang dijalankan dengan sumber listrik jala-jala (berkabel) atau baterai (tanpa kabel).

Keselamatan tempat kerja

1. **Jaga tempat kerja selalu bersih dan berpenerangan cukup.** Tempat kerja yang berantakan dan gelap mengundang kecelakaan.
2. **Jangan gunakan mesin listrik dalam lingkungan yang mudah meledak, misalnya jika ada cairan, gas, atau debu yang mudah menyala.** Mesin listrik menimbulkan bunga api yang dapat menyalaikan debu atau uap tersebut.
3. **Jauhkan anak-anak dan orang lain saat menggunakan mesin listrik.** Bila perhatian terpecah, anda dapat kehilangan kendali.

Keamanan Kelistrikan

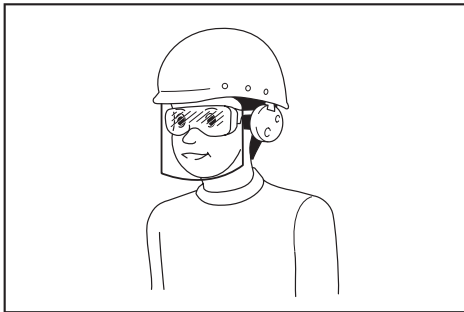
1. **Steker mesin listrik harus cocok dengan stopkontak.** Jangan sekali-kali mengubah steker dengan cara apa pun. Jangan menggunakan steker adaptor dengan mesin listrik terbumi (dibumikan). Steker yang tidak diubah dan stopkontak yang cocok akan mengurangi risiko sengatan listrik.
2. **Hindari sentuhan tubuh dengan permukaan terbumi atau yang dibumikan seperti pipa, radiator, kompor, dan kulkas.** Risiko sengatan listrik bertambah jika tubuh Anda terbumikan atau dibumikan.
3. **Jangan membiarkan mesin listrik kehujaan atau kebasahan.** Air yang masuk ke dalam mesin listrik akan meningkatkan risiko sengatan listrik.

4. **Jangan menyalahgunakan kabel.** Jangan sekali-kali menggunakan kabel untuk membawa, menarik, atau mencabut mesin listrik dari stopkontak. Jauhkan kabel dari panas, minyak, tepian tajam, atau bagian yang bergerak. Kabel yang rusak atau kusut memperbesar risiko sengatan listrik.
5. **Bila menggunakan mesin listrik di luar ruangan, gunakan kabel ekstensi yang sesuai untuk penggunaan di luar ruangan.** Penggunaan kabel yang sesuai untuk penggunaan luar ruangan mengurangi risiko sengatan listrik.
6. **Jika mengoperasikan mesin listrik di lokasi lembap tidak terhindarkan, gunakan pasokan daya yang dilindungi peranti imbasan arus (residual current device - RCD).** Penggunaan RCD mengurangi risiko sengatan listrik.
7. **Mesin listrik dapat menghasilkan medan magnet (EMF) yang tidak berbahaya bagi pengguna.** Namun, pengguna alat pacu jantung atau peralatan medis sejenisnya harus berkonsultasi dengan produsen peralatan tersebut dan/atau dokter mereka sebelum mengoperasikan mesin listrik ini.

Keselamatan Diri

1. **Jaga kewaspadaan, perhatikan pekerjaan Anda dan gunakan akal sehat bila menggunakan mesin listrik.** Jangan menggunakan mesin listrik saat Anda lelah atau di bawah pengaruh obat bius, alkohol, atau obat. Sekejam saja lalai saat menggunakan mesin listrik dapat menyebabkan cedera badan serius.
2. **Gunakan alat pelindung diri. Selalu gunakan pelindung mata.** Peralatan pelindung seperti masker debu, sepatu pengaman anti-selip, helm pengaman, atau pelindung telinga yang digunakan untuk kondisi yang sesuai akan mengurangi risiko cedera badan.
3. **Cegah penyalaan yang tidak disengaja. Pastikan bahwa sakelar berada dalam posisi mati (off) sebelum menghubungkan mesin ke sumber daya dan/atau paket baterai, atau mengangkat atau membawanya.** Membawa mesin listrik dengan jari Anda pada sakelarnya atau mengalirkan listrik pada mesin listrik yang sakelarnya hidup (on) akan mengundang kecelakaan.
4. **Lepaskan kunci-kunci penyetel sebelum menghidupkan mesin listrik.** Kunci-kunci yang masih terpasang pada bagian mesin listrik yang berputar dapat menyebabkan cedera.
5. **Jangan meraih terlalu jauh. Jagalah pijakan dan keseimbangan sepanjang waktu.** Hal ini memungkinkan kendali yang lebih baik atas mesin listrik dalam situasi yang tidak diharapkan.
6. **Kenakan pakaian yang memadai. Jangan memakai pakaian yang longgar atau perhiasan. Jaga jarak antara rambut dan pakaian Anda dengan komponen mesin yang bergerak.** Pakaian yang longgar, perhiasan, atau rambut yang panjang dapat tersangkut pada komponen yang bergerak.

7. Jika tersedia fasilitas untuk menghisap dan mengumpulkan debu, pastikan fasilitas tersebut terhubung listrik dan digunakan dengan baik. Penggunaan pembersih debu dapat mengurangi bahaya yang terkait dengan debu.
8. Jangan sampai Anda lengah dan mengabaikan prinsip keselamatan mesin ini hanya karena sudah sering mengoperasikannya dan sudah merasa terbiasa. Tindakan yang lalai dapat menyebabkan cedera berat dalam sepersekian detik saja.
9. Selalu kenakan kacamata pelindung untuk melindungi mata dari cedera saat menggunakan mesin listrik. Kacamata harus sesuai dengan ANSI Z87.1 di Amerika Serikat, EN 166 di Eropa, atau AS/NZS 1336 di Australia/Selandia Baru. Di Australia/Selandia Baru, secara hukum Anda juga diwajibkan mengenakan pelindung wajah untuk melindungi wajah Anda.



Menjadi tanggung jawab atasannya untuk menerapkan penggunaan alat pelindung keselamatan yang tepat bagi operator mesin dan orang lain yang berada di area kerja saat itu.

Penggunaan dan pemeliharaan mesin listrik

1. **Jangan memaksa mesin listrik. Gunakan mesin listrik yang tepat untuk keperluan Anda.** Mesin listrik yang tepat akan menuntaskan pekerjaan dengan lebih baik dan aman pada kecepatan sesuai rancangannya.
 2. **Jangan gunakan mesin listrik jika sakelar tidak dapat menyala dan mematakannya.** Mesin listrik yang tidak dapat dikendalikan dengan sakelarnya adalah berbahaya dan harus diperbaiki.
 3. **Cabut steker dari sumber listrik dan/atau lepas paket baterai, jika dapat dilepas, dari mesin listrik sebelum melakukan penyetelan apa pun, mengganti aksesoris, atau menyimpan mesin listrik.** Langkah keselamatan preventif tersebut mengurangi risiko hidupnya mesin secara tak sengaja.
 4. **Simpan mesin listrik jauh dari jangkauan anak-anak dan jangan biarkan orang yang tidak paham mengenai mesin listrik tersebut atau petunjuk ini menggunakan mesin listrik.** Mesin listrik sangat berbahaya di tangan pengguna yang tak terlatih.
5. **Rawatlah mesin listrik dan aksesoris. Periksa apakah ada komponen bergerak yang tidak lurus atau macet, komponen yang pecah, dan kondisi-kondisi lain yang dapat memengaruhi pengoperasian mesin listrik. Jika rusak, perbaiki mesin listrik terlebih dahulu sebelum digunakan.** Banyak kecelakaan disebabkan oleh kurangnya pemeliharaan mesin listrik.
 6. **Jaga agar mesin pemotong tetap tajam dan bersih.** Mesin pemotong yang terawat baik dengan mata pemotong yang tajam tidak mudah macet dan lebih mudah dikendalikan.
 7. **Gunakan mesin listrik, aksesoris, dan mata mesin, dll. sesuai dengan petunjuk ini, dengan memperhitungkan kondisi kerja dan jenis pekerjaan yang dilakukan.** Penggunaan mesin listrik untuk penggunaan yang lain dari peruntukan dapat menimbulkan situasi berbahaya.
 8. **Jagalah agar gagang dan permukaan pegangan tetap kering, bersih, dan bebas dari minyak dan pelumas.** Gagang dan permukaan pegangan yang licin tidak mendukung keamanan penanganan dan pengendalian mesin dalam situasi-situasi tak terduga.
 9. **Ketika menggunakan mesin, jangan menggunakan sarung tangan kain yang dapat tersangkut.** Sarung tangan kain yang tersangkut pada komponen bergerak dapat mengakibatkan cedera pada pengguna.

Penggunaan dan pemeliharaan mesin bertenaga baterai

1. **Isi ulang baterai hanya dengan pengisi daya yang ditentukan oleh pabrikan.** Pengisi daya yang cocok untuk satu jenis paket baterai dapat menimbulkan risiko kebakaran ketika digunakan untuk paket baterai yang lain.
2. **Gunakan mesin listrik hanya dengan paket baterai yang telah ditentukan secara khusus.** Penggunaan paket baterai lain dapat menimbulkan risiko cedera dan kebakaran.
3. **Ketika paket baterai tidak digunakan, jauhkan dari benda logam lain, seperti penjepit kertas, uang logam, kunci, paku, sekrup atau benda logam kecil lainnya, yang dapat menghubungkan satu terminal ke terminal lain.** Hubungan singkat terminal baterai dapat menyebabkan luka bakar atau kebakaran.
4. **Pemakaian yang salah, dapat menyebabkan kealuannya cairan dari baterai; hindari kontak. Jika terjadi kontak secara tidak sengaja, bilas dengan air. Jika cairan mengenai mata, cari bantuan medis.** Cairan yang keluar dari baterai bisa menyebabkan iritasi atau luka bakar.
5. **Jangan menggunakan paket baterai atau mesin yang sudah rusak atau telah diubah.** Baterai yang rusak atau telah diubah dapat menyebabkan hal-hal yang tidak dapat diprediksi yang dapat menyebabkan kebakaran, ledakan atau risiko cedera.
6. **Jangan membiarkan paket baterai atau mesin dekat dengan api atau suhu yang berlebihan.** Paparan api atau suhu di atas 130 °C dapat menyebabkan ledakan.

7. Ikuti semua petunjuk pengisian daya dan jangan mengisi daya paket baterai atau mesin di luar rentang suhu yang ditentukan di panduan. Mengisi daya secara tidak tepat atau pada suhu di luar rentang yang ditentukan dapat merusak baterai dan meningkatkan risiko kebakaran.
8. Jangan menggunakan roda yang rusak. Sebelum digunakan, selalu periksa apakah ada bagian yang cungkil atau retak pada roda. Jika mesin listrik atau roda jatuh, periksa apakah ada kerusakan, atau pasang roda yang tidak rusak. Setelah memeriksa dan memasang roda, posisikan diri Anda dan orang di sekitar jauh dari penampang roda yang berputar dan jalankan mesin listrik pada kecepatan maksimal tanpa beban selama satu menit. Roda yang rusak biasanya akan pecah selama waktu pengujian ini.

Servis

1. Berikan mesin listrik untuk diperbaiki hanya kepada oleh teknisi yang berkualifikasi dengan menggunakan hanya suku cadang pengganti yang serupa. Hal ini akan menjamin terjaminnya keamanan mesin listrik.
2. Jangan pernah memperbaiki paket baterai yang sudah rusak. Perbaikan paket baterai harus dilakukan hanya oleh produsen atau penyedia servis resmi.
3. Patuhi petunjuk pelumasan dan penggantian aksesoris.

Peringatan keselamatan mesin pemotong

1. Posisikan diri Anda dan orang lain jauh dari penampang roda yang berputar. Pelindung membantu melindungi operator dari pecahan roda yang rusak dan kontak tak disengaja dengan roda.
2. Gunakan hanya roda pemotong kuat dengan pengikat untuk mesin listrik Anda. Walaupun aksesoris tertentu dapat dipasangkan ke mesin listrik Anda, keamanan pengoperasiannya belum tentu terjamin.
3. Kecepatan terukur pada aksesoris setidaknya harus sama dengan kecepatan maksimal yang tertera pada mesin listrik. Aksesoris yang bekerja lebih cepat dari kecepatan terukurinya mungkin saja pecah dan terlontar.
4. Roda harus digunakan hanya untuk penggunaan yang disarankan saja. Contoh: jangan menggerinda dengan bagian samping roda pemotong. Roda pemotong abrasif ditujukan untuk pekerjaan penggerindaan sisi luar; jika roda dikenai tenaga dari samping, roda ini mungkin saja pecah.
5. Selalu gunakan flensa roda yang tidak rusak dengan diameter yang tepat sesuai dengan roda yang Anda pilih. Flensa roda yang tepat akan menopang roda sehingga mengurangi kemungkinan pecahnya roda.
6. Diameter luar dan tebal aksesoris Anda harus berada dalam rentang nilai kapasitas mesin listrik Anda. Aksesoris dengan ukuran yang tidak tepat tidak dapat dilindungi atau dikendalikan secara memadai.
7. Ukuran as roda dan flensa harus benar-benar sesuai dengan spindel mesin listrik. Roda dan flensa dengan lubang as yang tidak sesuai dengan perangkat keras pemasangan mesin listrik akan bekerja tidak seimbang, bergetar secara berlebihan, dan dapat menyebabkan hilangnya kendali.
9. Kenakan perlengkapan pelindung diri. tergantung pekerjaannya, kenakan pelindung muka, kacamata pelindung, atau kacamata pengaman. Sesuai kebutuhan, kenakan masker debu, pelindung telinga, sarung tangan, dan apron bengkel yang mampu menahan debu gerinda atau serpihan benda kerja. Pelindung mata harus mampu menahan debu yang berhamburan yang ditimbulkan dari berbagai jenis pekerjaan. Masker debu atau alat pernapasan harus mampu menyaring partikel yang dihasilkan dari pekerjaan Anda. Paparan berkepanjangan terhadap kebisingan berintensitas tinggi dapat menyebabkan hilangnya pendengaran.
10. Jaga agar orang di sekitar berada dalam jarak aman yang jauh dari area kerja. Siapa pun yang masuk ke area kerja harus mengenakan perlengkapan pelindung diri. Potongan benda kerja atau roda yang rusak mungkin saja terlempar dan menyebabkan cedera di area yang dekat dengan pekerjaan.
11. Bersihkan ventilasi udara mesin listrik secara rutin. Kipas motor dapat menarik debu ke dalam rumahannya, dan tumpukan serbuk logam yang berlebihan dapat menyebabkan bahaya listrik.
12. Jangan mengoperasikan mesin listrik ini di dekat benda-benda yang mudah terbakar. Jangan mengoperasikan mesin listrik ini jika mesin diletakkan pada permukaan yang mudah terbakar, seperti kayu. Percikan apinya dapat menyulut benda-benda tersebut.
13. Jangan menggunakan aksesoris yang membutuhkan cairan pendingin. Menggunakan air atau cairan pendingin lain dapat mengakibatkan kematian akibat sengatan listrik.

Hentikan balik dan peringatan terkait

Hentikan balik adalah reaksi yang terjadi secara tiba-tiba saat roda yang sedang berputar terjepit atau tersangkut. Kondisi terjepit atau tersangkut akan menyebabkan roda yang berputar akan berhenti dengan cepat, yang kemudian akan mengakibatkan unit pemotongan yang tak terkendali terdorong ke atas menuju arah operator.

Sebagai contoh, jika roda ampelas tersangkut atau terjepit oleh benda kerja, tepi roda yang masuk ke titik tempat roda tersebut terjepit mungkin saja menembus permukaan bahan, yang menyebabkan roda tersebut menanjak atau menghentak. Roda ampelas juga mungkin saja pecah karena kondisi tersebut. Hentikan balik merupakan akibat dari kesalahan cara penggunaan mesin listrik dan/atau prosedur atau kondisi pengoperasian yang salah, dan dapat dihindari dengan melakukan tindakan kewaspadaan yang tepat sebagaimana diuraikan di bawah ini.

1. **Pertahankan genggaman yang kuat pada mesin listrik serta posisikan badan dan lengan Anda sedemikian rupa sehingga Anda dapat menahan gaya hentakan balik.** Jika tindakan kewaspadaan tersebut dilakukan, maka operator dapat mengendalikan gaya hentakan balik ke atas.
2. **Jangan menempatkan tubuh Anda sejajar dengan roda yang berputar.** Jika hentakan terjadi, tenaga hentaknya akan mendorong unit pemotongan ke atas menuju operator.
3. **Jangan memasang mata rantai gergaji, pisau tatah kayu, roda intan bersegmen dengan jarak periferal lebih dari 10 mm, atau mata gergaji bergerigi.** Mata pisau seperti ini menghasilkan hentakan balik berkali-kali dan menyebabkan hilangnya kendali.
4. **Jangan membuat roda “macet” atau menekannya secara berlebihan. Jangan mencoba memotong terlalu dalam.** Jika roda diberi tekanan berlebihan, maka bebannya akan bertambah, dan akan meningkatkan risiko roda terpuntir atau macet saat digunakan untuk memotong, serta mempertinggi kemungkinan terjadinya hentakan balik atau roda pecah.
5. **Saat roda macet atau saat menghentikan pemotongan karena alasan apa pun, matikan unit pemotongan dan tahan unit pemotong dalam posisi diam hingga roda benar-benar berhenti. Jangan pernah mencoba melepas roda dari garis pemotongan saat roda masih bergerak.,** Jika tidak, akan terjadi hentakan balik. Periksa dan ambil tindakan perbaikan yang tepat untuk mengatasi penyebab macetnya roda.
6. **Jangan memulai kembali pemotongan saat mesin masih berada pada benda kerja. Biarkan roda mencapai kecepatan penuh dan masukkan kembali dengan hati-hati pada potongan.** Roda mungkin saja macet, bergerak ke atas atau terjadi hentakan balik jika mesin listrik dinyalakan ulang saat masih berada pada benda kerja.

7. **Tahan benda kerja berukuran besar untuk meminimalkan risiko roda terjepit dan terjadi hentakan balik.** Benda kerja besar cenderung melorot karena beratnya. Penopang harus diletakkan di bawah benda kerja, di dekat garis pemotongan dan di dekat ujung benda kerja pada kedua sisi roda.

Peringatan keselamatan tambahan

1. **Waspada! percikan api yang beterbangan saat pengoperasian.** Percikan api tersebut dapat menyebabkan cedera atau membakar bahan-bahan yang mudah terbakar.
2. **Bekerja dengan aman. Gunakan penjepit atau ragum untuk menahan pekerjaan yang sedang dilakukan.** Hal tersebut lebih aman dibanding menggunakan tangan Anda dan membuat kedua tangan Anda bebas untuk menjalankan mesin.
3. **Kencangkan roda pemotong dengan hati-hati.**
4. **Hati-hati jangan sampai merusak spindle, flensa (terutama permukaan pemasangan) atau bautnya, atau roda pemotong mungkin saja ikut rusak.**
5. **Jaga agar pelindung selalu terpasang di tempatnya dan berfungsi dengan baik.**
6. **Genggam pegangan mesin kuat-kuat.**
7. **Jauhkan tangan dari bagian yang berputar.**
8. **Pastikan roda pemotong tidak menyentuh benda kerja sebelum sakelar dinyalakan.**
9. **Setiap kali sebelum digunakan, waspada! guncangan atau getaran berlebihan yang mungkin disebabkan oleh pemasangan yang kurang baik atau roda yang kurang seimbang.**
10. **Keluarkan bahan atau serpihan dari area yang mungkin tersulut oleh bunga api. Jauhkan orang lain dari jangkauan bunga api. Pastikan tersedia pemadam api dalam kondisi memadai dan terisi penuh di sekitar tempat kerja Anda.**
11. **Jika roda pemotong berhenti saat pengoperasian, mengeluarkan suara aneh atau mulai bergetar, segera matikan mesin.**
12. **Selalu matikan mesin dan tunggu hingga roda pemotong benar-benar berhenti sebelum Anda melepas, memasang benda kerja, menggunakan penjepit, mengubah posisi kerja, sudut, atau roda pemotong itu sendiri.**
13. **Jangan menyentuh benda kerja segera setelah pengoperasian; suhunya sangat panas dan dapat membakar kulit Anda.**
14. **Roda harus disimpan di tempat kering.**

SIMPAN PETUNJUK INI.

Petunjuk keselamatan penting untuk kartrid baterai

1. **Sebelum menggunakan kartrid baterai, bacalah semua petunjuk dan penandaan pada (1) pengisi daya baterai, (2) baterai, dan (3) produk yang menggunakan baterai.**
2. **Jangan membongkar kartrid baterai.**

3. Jika waktu beroperasinya menjadi sangat singkat, segera hentikan penggunaan. Hal tersebut dapat menimbulkan risiko panas berlebih, kemungkinan mengalami luka bakar atau bahkan terjadi ledakan.
4. Jika elektrolit mengenai mata Anda, basuh dengan air bersih dan segera cari pertolongan medis. Hal tersebut dapat mengakibatkan hilangnya kemampuan penglihatan Anda.
5. Jangan menghubungkan terminal kartrid baterai:
 - (1) Jangan menyentuh terminal dengan bahan penghantar listrik apa pun.
 - (2) Hindari menyimpan kartrid baterai pada wadah yang berisi benda logam lain seperti paku, uang logam, dsb.
 - (3) Jangan membiarkan baterai terkena air atau keujanan.

Hubungan singkat baterai dapat menyebabkan aliran arus listrik yang besar, panas berlebih, kemungkinan mengalami luka bakar dan bahkan kerusakan pada baterai.

6. Jangan menyimpan mesin dan kartrid baterai pada lokasi dengan suhu yang bisa mencapai atau melebihi 50 °C.
7. Jangan membuang kartrid baterai di tempat pembakaran sampah walaupun benar-benar rusak atau tidak bisa digunakan sama sekali. Kartrid baterai bisa meledak jika terbakar.
8. Berhati-hatilah jangan sampai baterai jatuh atau terbentur.
9. Jangan menggunakan baterai yang rusak.
10. Baterai litium-ion yang disertakan sesuai dengan persyaratan Perundangan Makanan Berbahaya.
Harus ada pengawasan untuk pengangkutan komersial misalnya oleh pihak ketiga, ekspeditor, persyaratan khusus terhadap pengemasan dan pelabelan.
Diperlukan adanya konsultasi dengan ahli mengenai material berbahaya untuk persiapan barang yang akan dikirimkan. Perhatikan pula peraturan nasional yang lebih terperinci yang mungkin ada.
Beri perekat atau tutupi bagian yang terbuka dan kemas baterai dengan cara yang tidak akan menimbulkan pergeseran dalam pengemasan.
11. Patuhi peraturan setempat yang berkaitan dengan pembuangan baterai.
12. Gunakan baterai hanya dengan produk yang ditentukan oleh Makita. Memasang baterai pada produk yang tidak sesuai dapat menyebabkan kebakaran, kelebihan panas, ledakan, atau kebocoran elektrolit.

SIMPAN PETUNJUK INI.

⚠PERHATIAN: Gunakan baterai asli Makita. Penggunaan baterai Makita yang tidak asli, atau baterai yang sudah diubah, akan mengakibatkan baterai mudah terbakar, cedera dan kerusakan. Akan menghilangkan garansi Makita pada pengisi daya dan alat Makita.

Tip untuk menjaga agar umur pemakaian baterai maksimum

1. Isi ulang kartrid baterai sebelum habis sama sekali. Selalu hentikan penggunaan mesin dan ganti kartrid baterai jika Anda melihat bahwa mesin kurang tenaga.
2. Jangan pernah mengisi ulang kartrid baterai yang sudah diisi penuh. Pengisian ulang yang berlebih memperpendek umur pemakaian baterai.
3. Isi ulang kartrid baterai pada suhu ruangan 10 °C - 40 °C. Biarkan kartrid baterai yang panas menjadi dingin terlebih dahulu sebelum diisi ulang.
4. Isi ulang daya kartrid baterai jika Anda tidak menggunakannya untuk jangka waktu yang lama (lebih dari enam bulan).

PEMASANGAN

⚠PERINGATAN: Mesin ini menimbulkan bunga api saat digunakan untuk memotong benda kerja. Jangan memasang mesin ini di tempat yang terisi bahan-bahan yang mudah terbakar dan/atau mudah meledak karena bunga apinya dapat menyulut benda-benda ini. Selain itu, sebelum mulai mengoperasikan mesin, pastikan tidak ada benda-benda semacam ini di dekat mesin.

Mengencangkan dudukan

Mesin ini harus dikencangkan dengan dua buah baut hingga permukaannya setara dan stabil dengan menggunakan lubang baut yang tersedia pada dudukan mesin. Hal ini akan mencegah mesin terbalik dan mengurangi kemungkinan cedera.

► **Gbr.1:** 1. Lubang baut 2. Dudukan

DESKRIPSI FUNGSI

⚠PERINGATAN: Selalu pastikan bahwa mesin dimatikan dan kartrid baterai dilepas sebelum menyetel atau memeriksa fungsi mesin. Kelalaian dalam mematikan dan melepaskan kartrid baterai dapat mengakibatkan cedera badan yang serius akibat penyalakan yang tidak disengaja.

Membuka kunci/mengunci kepala mesin

Kepala mesin dapat dikunci. Selalu kunci kepala mesin saat tidak digunakan atau saat akan dipindahkan.

Untuk melepas kunci, tekan kepala mesin perlahan dan tekan pin pengunci. Untuk mengunci, kembalikan posisi awal pin pengunci sambil menekan kepala mesin.

► **Gbr.2:** 1. Pin pengunci

Memasang atau melepas baterai

⚠️ PERHATIAN: Selalu matikan mesin sebelum memasang atau melepas kartrid baterai.

⚠️ PERHATIAN: Pegang mesin dan kartrid baterai kuat-kuat saat memasang atau melepas kartrid baterai. Kelalaian untuk memegang mesin dan kartrid baterai kuat-kuat bisa menyebabkan keduanya tergelincir dari tangan Anda dan mengakibatkan kerusakan pada mesin dan kartrid baterai dan cedera diri.

- **Gbr.3:** 1. Indikator berwarna merah 2. Tombol
3. Kartrid baterai

Untuk melepas kartrid baterai, geser dari mesin sambil menggeser tombol pada bagian depan kartrid.

Untuk memasang kartrid baterai, sejajarkan lidah kartrid baterai dengan alur pada rumah dan masukkan ke dalam tempatnya. Masukkan seluruhnya sampai terkunci pada tempatnya dan terdengar bunyi klik kecil. Jika Anda bisa melihat indikator berwarna merah pada sisi atas tombol, berarti tidak terkunci sepenuhnya.

⚠️ PERHATIAN: Selalu pasang kartrid baterai sepenuhnya sampai indikator berwarna merah tidak terlihat. Jika tidak, bisa terlepas dari mesin secara tidak sengaja, menyebabkan luka pada Anda atau orang di sekitar Anda.

⚠️ PERHATIAN: Jangan memasang kartrid baterai secara paksa. Jika kartrid tidak bergeser dengan mudah, berarti tidak dimasukkan dengan benar.

CATATAN: Mesin tidak akan bekerja dengan hanya satu kartrid baterai.

Sistem perlindungan mesin / baterai


Mesin ini dilengkapi dengan sistem perlindungan mesin/ baterai. Sistem ini memutuskan daya ke motor secara otomatis untuk memperpanjang umur pemakaian mesin dan baterai. Mesin akan berhenti secara otomatis saat penggunaan jika mesin atau baterai berada dalam salah satu kondisi berikut ini. Dalam kondisi yang sama, indikator akan menyala.

Perlindungan kelebihan beban

Jika mesin digunakan dengan cara yang menjadikan baterai mengeluarkan arus tinggi berlebihan, mesin akan berhenti secara otomatis. Dalam situasi ini, matikan mesin dan hentikan pekerjaan yang menyebabkan mesin mengalami kelebihan beban. Kemudian, nyalakan mesin untuk kembali melanjutkan pekerjaan.


Perlindungan panas berlebih

Bila mesin mengalami panas berlebih, mesin akan berhenti secara otomatis dan indikator baterai berkedip sekitar 60 detik. Untuk situasi ini, biarkan mesin menjadi dingin sebelum menyalakan mesin lagi.

<input checked="" type="checkbox"/> Menyala	<input checked="" type="checkbox"/> Berkedip
	

Perlindungan pengisian daya berlebih





Ketika kapasitas baterai melemah, mesin akan berhenti secara otomatis dan indikator baterai dari kartrid baterai yang telah habis akan berkedip. Jika produk tidak beroperasi bahkan ketika sakelar digunakan, lepaskan kartrid baterai yang telah habis dari mesin dan isi dayanya.

<input checked="" type="checkbox"/> Berkedip	<input type="checkbox"/> Mati
	

Mengindikasikan kapasitas baterai yang tersisa

- **Gbr.4:** 1. Indikator baterai 2. Tombol pemeriksaan

Tekan tombol pemeriksaan untuk melihat kapasitas baterai yang tersisa. Indikator baterai berhubungan dengan setiap baterai.

Status indikator baterai			Kapasitas baterai yang tersisa
<input checked="" type="checkbox"/> Menyala	<input type="checkbox"/> Mati	<input checked="" type="checkbox"/> Berkedip	
			50% hingga 100%
			20% hingga 50%
			0% hingga 20%
			Isi ulang baterai

Mengindikasikan kapasitas baterai yang tersisa

Hanya untuk kartrid baterai dengan indikator

► **Gbr.5:** 1. Lampu indikator 2. Tombol pemeriksaan

Tekan tombol pemeriksaan pada kartrid baterai untuk melihat kapasitas baterai yang tersisa. Lampu indikator menyala selama beberapa detik.

Lampu indikator			Kapasitas yang tersisa
Menyala	Mati	Berkedip	
■	□	◐	75% hingga 100%
■	■	■	
■	■	□	50% hingga 75%
■	■	□	25% hingga 50%
■	□	□	0% hingga 25%
◐	□	□	Isi ulang baterai.
■	■	□	Baterai mungkin sudah rusak.
□	□	■	

CATATAN: Tergantung kondisi penggunaan dan suhu lingkungannya, penunjukkan mungkin saja sedikit berbeda dari kapasitas sebenarnya.

Kerja sakelar

⚠PERINGATAN: Sebelum memasukkan kartrid baterai pada mesin, pastikan picu saklar berfungsi dengan baik dan kembali ke posisi "OFF" saat dilepas.

► **Gbr.6:** 1. Tombol buka kunci 2. Pelatuk sakelar

Untuk mencegah picu sakelar tertarik dengan tidak sengaja, tersedia sebuah tombol buka kunci. Untuk menjalankan mesin, tekan tombol buka kunci dan tarik picu saklar. Lepaskan pelatuk sakelar untuk berhenti.

⚠PERINGATAN: JANGAN PERNAH mengakali tombol buka kunci dengan menyelotip atau menggunakan alat-alat lainnya. Sakelar tanpa tombol buka kunci dapat mengakibatkan pengoperasian yang tidak diinginkan dan cedera badan serius.

⚠PERINGATAN: JANGAN PERNAH menggunakan mesin jika mesin tersebut menyala ketika Anda hanya menarik picu sakelarnya tanpa menekan tuas buka kunci. Sakelar yang memerlukan perbaikan dapat mengakibatkan pengoperasian yang tidak diinginkan dan cedera badan serius. Kembalikan mesin ke pusat layanan Makita untuk diperbaiki dengan benar SEBELUM menggunakannya lebih lanjut.

PEMBERITAHUAN: Jangan menarik dalam-dalam picu sakelar tanpa menekan tombol buka kunci. Hal ini bisa merusak sakelar.

Indikator status beban

Indikator status beban menunjukkan level beban pada motor selama pengoperasian pemotongan. Saat beban pada motor meningkat, jumlah lampu yang menyala juga meningkat.

► **Gbr.7:** 1. Indikator status beban

Peringatan kelebihan beban

Jika motor dioperasikan dengan beban berlebih, semua lampu indikator status beban akan berkedip. Dalam hal ini, kurangi beban pada motor. Jika Anda terus memberikan muatan pada motor saat indikator status beban berkedip, mesin secara otomatis akan berhenti selama beberapa detik akibat perlindungan kelebihan beban.

CATATAN: Jika beban berlebih diberikan dalam satu waktu, mesin akan berhenti secara otomatis tanpa membuat indikator status beban berkedip.

Interval antara penjepit dan pelat pemandu

⚠PERHATIAN: Setelah menyatel interval antara penjepit dan pelat pemandu, pastikan pelat pemandu terpasang dengan benar. Pemasangan yang kurang kencang dapat mengakibatkan cedera pada pengguna.

Berikut ini adalah penyetulan interval yang tersedia untuk ragum:

- 0 - 170 mm (pengaturan asli)
- 35 - 205 mm
- 70 - 240 mm

Jika pekerjaan Anda membutuhkan pengaturan yang berbeda, ikuti langkah berikut untuk mengubah jarak atau intervalnya.

Kendurkan sekrup pada pelat pemandu. Pindahkan pelat pemandu ke posisi yang diinginkan, kemudian kencangkan sekrup.

► **Gbr.8:** 1. Sekrup 2. Pelat pemandu

Penyetelan sudut pemotongan

⚠PERHATIAN: Setelah menyatel sudut pada pelat pemandu, pastikan pelat pemandu terpasang dengan benar. Pemasangan yang kurang kencang dapat mengakibatkan cedera pada pengguna.

⚠PERHATIAN: Jangan gunakan mesin apabila material tidak terpasang kuat dengan ragum karena sudut pemotongan.

Putar tuas berlawanan arah jarum jam. Pindahkan pelat pemandu ke sudut yang diinginkan, kemudian kencangkan tuas sampai maksimal.

► **Gbr.9:** 1. Pelat pemandu 2. Tuas

CATATAN: Skala pada pelat pemandu hanyalah petunjuk kasar saja. Untuk sudut yang lebih akurat, gunakan busur derajat atau penggaris segi tiga. Pegangan harus tetap di bawah sehingga roda pemotong dapat menjangkau dudukan. Pada saat yang bersamaan, setel sudut di antara pelat pemandu dan roda pemotong dengan busur derajat atau penggaris segitiga.

Penyetelan pada pelindung dari bunga api

Negara tertentu

Pelindung dari bunga api sudah dipasang dari pabrik dengan tepi rendahnya terhubung dengan dudukan. Jika mesin dijalankan pada posisi ini, akan banyak bunga api yang berhamburan. Longgarkan sekrup dan sesuaikan pelindung dari bunga api ke posisi yang mencegah bunga api beterbangan.

► **Gbr.10:** 1. Sekrup 2. Pelindung dari bunga api

Fungsi elektronik

Mesin yang dilengkapi dengan fungsi elektronik mudah dioperasikan karena memiliki fitur berikut ini.

Fitur awal pengerjaan lembut

Awal pengerjaan yang lembut karena adanya peredaman kejutan awal.

PERAKITAN

PERINGATAN: Selalu pastikan bahwa mesin dimatikan dan kartrid baterai dilepas sebelum menjalankan mesin. Kelalaian dalam mematikan dan melepaskan kartrid baterai dapat mengakibatkan cedera badan yang serius.

Membuka Pelindung keselamatan tipe center cap

Negara tertentu

Untuk mesin yang dilengkapi dengan pelindung keselamatan tipe center cap, longgarkan sekrup penjepit terlebih dahulu, lalu naikkan pelindung.

► **Gbr.11:** 1. Sekrup penjepit

Membuka pelindung pengaman tipe Eropa

Negara tertentu

Untuk mesin yang dilengkapi dengan pelindung pengaman tipe Eropa, longgarkan sekrup penjepit terlebih dahulu, lalu naikkan pelindung.

► **Gbr.12:** 1. Sekrup penjepit

► **Gbr.13**

► **Gbr.14**

Melepaskan atau memasang roda pemotong

PERHATIAN: Pastikan klem tanpa mesin sudah dikencangkan hingga aman. Pemasangan yang kurang kencang dapat mengakibatkan cedera serius.

PERHATIAN: Selalu gunakan flensa dalam dan luar yang tepat yang disertakan bersama mesin.

PERHATIAN: Selalu gunakan pelindung pengaman setelah mengganti roda pemotong.

PERHATIAN: Kenakan sarung tangan saat menangani roda.

Angkat pelindung pengaman. Putar klem tanpa mesin berlawanan arah jarum jam sambil menahan kunci poros. Kemudian, lepas klem tanpa mesin, flensa luar, dan roda pemotong. Ketika mengeluarkan roda pemotong, jangan keluaran flensa dalam serta cincin dan cincin O.

► **Gbr.15:** 1. Kunci poros 2. Klem tanpa mesin

► **Gbr.16:** 1. Flensa dalam 2. Cincin 3. Cincin-O 4. Roda pemotong 5. Flensa luar 6. Klem tanpa mesin

Untuk memasang roda pemotong, ikuti prosedur pelepasan dengan urutan terbalik. Pastikan kesesuaian lubang roda pemotongan dengan cincin dan pasang kembali pelindung pengaman.

PENGUNAAN

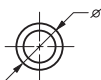
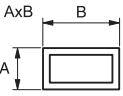
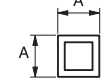

PERHATIAN: Tekanan yang tepat dari tangan selama pemotongan dan efisiensi pemotongan maksimal dapat dinilai dari banyaknya bunga api yang keluar saat pemotongan. Jangan memotong dengan tekanan yang berlebihan pada tangan. Jika tidak, hal ini dapat mengakibatkan efisiensi yang rendah pada pemotongan, masa pakai yang terlalu singkat, serta kemungkinan rusak pada mesin, roda pemotongan atau benda kerja.

Genggam pegangan mesin kuat-kuat. Nyalakan mesin dan tunggu sampai roda pemotong mencapai kecepatan penuh sebelum Anda menurunkannya untuk memotong. Ketika roda pemotong bersentuhan dengan benda kerja, secara bertahap berikan tekanan pada pegangan untuk melakukan pemotongan. Saat pemotongan selesai, matikan mesin dan **tunggu sampai roda pemotong benar-benar berhenti** sebelum mengembalikan pegangan ke posisi naik sepenuhnya.

Kapasitas pemotongan

Kapasitas pemotongan maksimal bervariasi tergantung pada sudut pemotongan dan bentuk benda kerja.

Kapasitas pemotongan maksimal dengan roda pemotongan baru

Sudut pemotongan / Bentuk benda kerja	90°	45°
	∅ 127 mm	∅ 127 mm
	115 x 130 mm 102 x 194 mm 70 x 233 mm	115 x 103 mm
	119 x 119 mm	106 x 106 mm
	137 x 137 mm	100 x 100 mm

CATATAN: Benda kerja lebih tipis dari 1,6 mm direkomendasikan untuk pemotongan dengan mesin ini.

Mengencangkan benda kerja

PERHATIAN: Selalu letakkan penahan ulir pada ulir poros saat mengencangkan benda kerja. Kelalaian dalam melakukannya dapat mengakibatkan kurang kencangnya benda kerja. Hal ini dapat mengakibatkan benda kerja terlepas atau kerusakan yang berbahaya pada roda pemotong.

Ketika penahan ulir, diangkat pelat penjepit dapat dimasukkan ke dalam dan dikeluarkan dengan cepat. Untuk menjepit benda kerja, tekan gagang hingga pelat penjepit bersentuhan dengan benda kerja lalu balik penahan ulir. Putar gagang searah jarum jam hingga benda kerja terjepit dengan kuat.

► **Gbr.17:** 1. Penggunaan 2. Pehanan ulir 3. Pelat penjepit

Ketika roda pemotong sudah sangat menurun kinerjanya, letakkan balok pengganjal di belakang benda kerja sebagaimana ditunjukkan pada gambar. Anda dapat menggunakan roda berkinerja rendah secara lebih efisien dengan menggunakan titik tengah pada pinggiran roda untuk memotong benda kerja. Gunakan bahan yang kokoh dan tidak mudah terbakar untuk balok pengganjal.

► **Gbr.18:** 1. Balok pengganjal

Ketika memotong benda kerja yang ukurannya lebih besar dari 85 mm suatu sudut (pengganjal), tempelkan potongan kayu lurus (pengganjal) yang memiliki panjang lebih dari 190 mm x lebar lebih dari 40 mm ke pelat pemandu sebagaimana ditunjukkan pada gambar. Tempelkan pengganjal ini dengan sekrup melalui lubang-lubang pada pelat pemandu. Pastikan roda pemotongnya tidak bersentuhan dengan pengganjal ketika kepala mesin ditekan.

► **Gbr.19:** 1. Pelat pemandu 2. Balok pengganjal (dimensinya lebih dari 190 mm x 40 mm) 3. Benda kerja (lebih dari 85 mm) 4. Pelat penjepit

PEMBERITAHUAN: Saat menggunakan balok pengganjal, pasang pelat pemandu posisi yang paling dekat dengan leher kepala mesin.

► **Gbr.20**

Ketika roda pemotong telah menurun kinerjanya, naikkan posisi pemotongan dengan meletakkan balok pengganjal yang dimensinya sedikit lebih kecil dari pada benda kerja sebagaimana ditunjukkan pada gambar. Hal ini akan membantu Anda untuk dapat menggunakan roda pemotong secara ekonomis.

► **Gbr.21:** 1. Pelat penjepit 2. Diameter benda kerja 3. Pelat pemandu 4. Lebar balok pengganjal

Benda kerja panjang harus ditopang oleh balok di kedua sisinya sehingga sejajar dengan bagian atas dudukannya. Gunakan bahan yang tidak mudah terbakar untuk balok penopang.

► **Gbr.22:** 1. Balok penopang

Membawa mesin

Sebelum membawa mesin, lepaskan baterai dan tekuk kepala mesin, lalu kunci. Pegang gagangnya jika hendak dibawa-bawa.

► **Gbr.23**

PERAWATAN

PERHATIAN: Selalu pastikan bahwa mesin dimatikan dan kartrid baterai dilepas sebelum melakukan pemeriksaan atau perawatan.

PEMBERITAHUAN: Jangan sekali-kali menggunakan bensin, tiner, alkohol, atau bahan sejenisnya. Penggunaan bahan demikian dapat menyebabkan perubahan warna, perubahan bentuk atau timbulnya retakan.

Untuk menjaga KEAMANAN dan KEANDALAN mesin, perbaikan, perawatan atau penyetulan lainnya harus dilakukan oleh Pusat Layanan Resmi atau Pabrik Makita; selalu gunakan suku cadang pengganti buatan Makita.

AKSESORI PILIHAN

⚠️ PERHATIAN: Dianjurkan untuk menggunakan aksesori atau perangkat tambahan ini dengan mesin Makita Anda yang ditentukan dalam petunjuk ini. Penggunaan aksesori atau perangkat tambahan lain bisa menyebabkan risiko cedera pada manusia. Hanya gunakan aksesori atau perangkat tambahan sesuai dengan peruntukannya.

Jika Anda memerlukan bantuan lebih rinci berkenaan dengan aksesori ini, tanyakan pada Pusat Layanan Makita terdekat.

- Roda pemotong abrasif
- Baterai dan pengisi daya asli buatan Makita

CATATAN: Beberapa item dalam daftar tersebut mungkin sudah termasuk dalam paket mesin sebagai aksesori standar. Hal tersebut dapat berbeda dari satu negara ke negara lainnya.

THÔNG SỐ KỸ THUẬT

Kiểu máy:	DLW140	
Đường kính đĩa mài	355 mm	
Đường kính lỗ	25,4 mm	
Chiều dày đĩa mài tối đa	3 mm	
Tốc độ không tải	3.800 min ⁻¹	
Điện áp định mức	D.C. 36 V	
Kích thước (Dài x Rộng x Cao)	Với phần bảo vệ an toàn kiểu dành cho Châu Âu	537 mm x 290 mm x 640 mm
	Với phần bảo vệ an toàn ngoài kiểu dành cho Châu Âu	537 mm x 280 mm x 640 mm
	Có phần bảo vệ an toàn kiểu nắp mở trung tâm	537 mm x 280 mm x 640 mm
Khối lượng tịnh	Với phần bảo vệ an toàn kiểu dành cho Châu Âu	17,2 - 17,8 kg
	Với phần bảo vệ an toàn ngoài kiểu dành cho Châu Âu	15,6 - 16,3 kg
	Có phần bảo vệ an toàn kiểu nắp mở trung tâm	15,4 - 16,0 kg

- Do chương trình nghiên cứu và phát triển liên tục của chúng tôi nên các thông số kỹ thuật trong đây có thể thay đổi mà không cần thông báo trước.
- Các thông số kỹ thuật có thể thay đổi tùy theo từng quốc gia.
- Khối lượng có thể khác nhau tùy thuộc vào (các) phụ kiện, bao gồm cả hộp pin. Tổ hợp nhẹ nhất và nặng nhất, theo Quy trình EPTA 01/2014, được trình bày trong bảng.
- Hình dạng và khối lượng sẽ khác nhau tùy vào thông số kỹ thuật thay đổi theo từng quốc gia.

Hộp pin và sạc pin có thể áp dụng

Hộp pin	BL1815N / BL1820 / BL1820B / BL1830 / BL1830B / BL1840 / BL1840B / BL1850 / BL1850B / BL1860B
Bộ sạc	DC18RC / DC18RD / DC18RE / DC18SD / DC18SE / DC18SF

- Một số hộp pin và sạc pin được nêu trong danh sách ở trên có thể không khả dụng tùy thuộc vào khu vực cư trú của bạn.

⚠ CẢNH BÁO: Chỉ sử dụng hộp pin và sạc pin được nêu trong danh sách ở trên. Việc sử dụng bất cứ hộp pin và sạc pin nào khác có thể gây ra thương tích và/hoặc hỏa hoạn.

Ký hiệu

Phần dưới đây cho biết các ký hiệu được dùng cho thiết bị. Đảm bảo rằng bạn hiểu rõ ý nghĩa của các ký hiệu này trước khi sử dụng.



Mang kính an toàn.



Đọc tài liệu hướng dẫn.



Chỉ dành cho các quốc gia EU
Không thải bỏ thiết bị điện hoặc bộ pin cùng với các chất thải sinh hoạt! Để tuân thủ các Chỉ thị của Châu Âu về thiết bị điện và điện tử thải bỏ, và về pin và ắc quy và pin và ắc quy thải bỏ, và thi hành những chỉ thị này phù hợp với luật lệ quốc gia, các thiết bị điện tử và pin và (các) bộ pin không còn sử dụng được nữa phải được thu nhặt riêng và đưa trở lại một cơ sở tái chế tương thích với môi trường.

Mục đích sử dụng

Dụng cụ này được dùng để cắt vật liệu chứa sắt với đĩa cắt nhám phù hợp. Tuân theo tất cả các luật lệ và quy định liên quan đến bụi và khu vực làm việc, sức khỏe và an toàn ở đất nước của bạn.

CẢNH BÁO AN TOÀN

Cảnh báo an toàn chung dành cho dụng cụ máy

⚠CẢNH BÁO: Xin đọc tất cả các cảnh báo an toàn, hướng dẫn, minh họa và thông số kỹ thuật đi kèm với dụng cụ máy này. Việc không tuân theo các hướng dẫn được liệt kê dưới đây có thể dẫn đến điện giật, hỏa hoạn và/hoặc thương tích nghiêm trọng.

Lưu giữ tất cả cảnh báo và hướng dẫn để tham khảo sau này.

Thuật ngữ “dụng cụ máy” trong các cảnh báo đề cập đến dụng cụ máy (có dây) được vận hành bằng nguồn điện chính hoặc dụng cụ máy (không dây) được vận hành bằng pin của bạn.

An toàn tại nơi làm việc

- Giữ nơi làm việc sạch sẽ và có đủ ánh sáng.** Nơi làm việc bừa bộn hoặc tối thường dễ gây ra tai nạn.
- Không vận hành dụng cụ máy trong môi trường cháy nổ, ví dụ như môi trường có sự hiện diện của các chất lỏng, khí hoặc bụi dễ cháy.** Các dụng cụ máy tạo tia lửa điện có thể làm bụi hoặc khí bốc cháy.
- Giữ trẻ em và người ngoài tránh xa nơi làm việc khi đang vận hành dụng cụ máy.** Sự xao lãng có thể khiến bạn mất khả năng kiểm soát.

An toàn về Điện

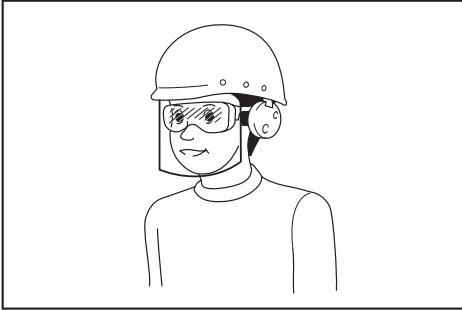
- Phích cắm của dụng cụ máy phải khớp với ổ cắm.** Không được sửa đổi phích cắm theo bất kỳ cách nào. Không sử dụng bất kỳ phích chuyển đổi nào với các dụng cụ máy được nối đất (tiếp đất). Các phích cắm còn nguyên vẹn và ổ cắm phù hợp sẽ giảm nguy cơ điện giật.
- Tránh để cơ thể tiếp xúc với các bề mặt nóng hoặc tiếp đất như đường ống, bộ tản nhiệt, bếp ga và tủ lạnh.** Nguy cơ bị điện giật sẽ tăng lên nếu cơ thể bạn được nối đất hoặc tiếp đất.
- Không để dụng cụ máy tiếp xúc với mưa hoặc trong điều kiện ẩm ướt.** Nước lọt vào dụng cụ máy sẽ làm tăng nguy cơ điện giật.
- Không lạm dụng dây điện.** Không được phép sử dụng dây để mang, kéo hoặc tháo phích cắm dụng cụ máy. Giữ dây tránh xa nguồn nhiệt, dầu, các mép sắc hoặc các bộ phận chuyển động. Dây bị hỏng hoặc bị rối sẽ làm tăng nguy cơ điện giật.
- Khi vận hành dụng cụ máy ngoài trời, hãy sử dụng dây kéo dài phù hợp cho việc sử dụng ngoài trời.** Việc dùng dây phù hợp cho việc sử dụng ngoài trời sẽ giảm nguy cơ điện giật.
- Nếu bắt buộc phải vận hành dụng cụ máy ở nơi ẩm ướt, hãy sử dụng nguồn cấp điện được bảo vệ bằng thiết bị ngắt dòng điện rò (RCD).** Việc sử dụng RCD sẽ làm giảm nguy cơ điện giật.

- Các dụng cụ máy có thể tạo ra từ trường điện (EMF) có hại cho người dùng.** Tuy nhiên, người dùng máy trợ tim và những thiết bị y tế tương tự khác nên liên hệ với nhà sản xuất thiết bị và/hoặc bác sỹ để được tư vấn trước khi vận hành dụng cụ này.

An toàn Cá nhân

- Luôn tỉnh táo, quan sát những việc bạn đang làm và sử dụng những phán đoán theo kinh nghiệm khi vận hành dụng cụ máy. Không sử dụng dụng cụ máy khi bạn đang mệt mỏi hoặc chịu ảnh hưởng của ma túy, rượu hay thuốc.** Chỉ một khoảnh khắc không tập trung khi đang vận hành dụng cụ máy cũng có thể dẫn đến thương tích cá nhân nghiêm trọng.
- Sử dụng thiết bị bảo hộ cá nhân.** Luôn đeo thiết bị bảo vệ mắt. Các thiết bị bảo hộ như mặt nạ chống bụi, giày an toàn chống trượt, mũ bảo hộ hay thiết bị bảo vệ thính giác được sử dụng trong các điều kiện thích hợp sẽ giúp giảm thương tích cá nhân.
- Tránh vô tình khởi động dụng cụ máy. Đảm bảo công tắc ở vị trí off (tắt) trước khi nối nguồn điện và/hoặc bộ pin, cầm hoặc di chuyển dụng cụ máy.** Việc di chuyển dụng cụ máy khi đang đặt ngón tay ở vị trí công tắc hoặc cấp điện cho dụng cụ máy đang bật thường dễ gây ra tai nạn.
- Tháo tất cả các khóa hoặc cờ lê điều chỉnh trước khi bật dụng cụ máy.** Việc cờ lê hoặc khóa vẫn còn gắn vào bộ phận quay của dụng cụ máy có thể dẫn đến thương tích cá nhân.
- Không vớ quá cao. Luôn giữ thăng bằng tốt và có chỗ để chân phù hợp.** Điều này cho phép điều khiển dụng cụ máy tốt hơn trong những tình huống bất ngờ.
- Ăn mặc phù hợp. Không mặc quần áo rộng hay đeo đồ trang sức. Giữ tóc và quần áo tránh xa các bộ phận chuyển động.** Quần áo rộng, đồ trang sức hay tóc dài có thể mắc vào các bộ phận chuyển động.
- Nếu các thiết bị bị được cung cấp để kết nối các thiết bị thu gom và hút bụi, hãy đảm bảo chúng được kết nối và sử dụng hợp lý.** Việc sử dụng thiết bị thu gom bụi có thể làm giảm những mối nguy hiểm liên quan đến bụi.
- Không vì quen thuộc do thường xuyên sử dụng các dụng cụ mà cho phép bạn trở nên tự mãn và bỏ qua các nguyên tắc an toàn dụng cụ.** Một hành động bất cẩn có thể gây ra thương tích nghiêm trọng trong một phần của một giây.

9. Luôn luôn mang kính bảo hộ để bảo vệ mắt khỏi bị thương khi đang sử dụng các dụng cụ máy. Kính bảo hộ phải tuân thủ ANSI Z87.1 ở Mỹ, EN 166 ở Châu Âu, hoặc AS/NZS 1336 ở Úc/New Zealand. Tại Úc/New Zealand, theo luật pháp, bạn cũng phải mang mặt nạ che mặt để bảo vệ mặt.



Trách nhiệm của chủ lao động là bắt buộc người vận hành dụng cụ và những người khác trong khu vực làm việc cạnh đó phải sử dụng các thiết bị bảo hộ an toàn thích hợp.

Sử dụng và bảo quản dụng cụ máy

1. Không dùng lực đối với dụng cụ máy. Sử dụng đúng dụng cụ máy cho công việc của bạn. Sử dụng đúng dụng cụ máy sẽ giúp thực hiện công việc tốt hơn và an toàn hơn theo giá trị định mức được thiết kế của dụng cụ máy đó.
2. Không sử dụng dụng cụ máy nếu công tắc không bật và tắt được dụng cụ máy đó. Mọi dụng cụ máy không thể điều khiển được bằng công tắc đều rất nguy hiểm và phải được sửa chữa.
3. Rút phích cắm ra khỏi nguồn điện và/hoặc tháo kết nối bộ pin khỏi dụng cụ máy, nếu có thể tháo rời trước khi thực hiện bất kỳ công việc điều chỉnh, thay đổi phụ tùng hay cất giữ dụng cụ máy nào. Những biện pháp an toàn phòng ngừa này sẽ giảm nguy cơ vô tình khởi động dụng cụ máy.
4. Cất giữ các dụng cụ máy không sử dụng ngoài tầm với của trẻ em và không cho bất kỳ người nào không có hiểu biết về dụng cụ máy hoặc các hướng dẫn này vận hành dụng cụ máy. Dụng cụ máy sẽ rất nguy hiểm nếu được sử dụng bởi những người dùng chưa qua đào tạo.
5. Bảo dưỡng dụng cụ máy và các phụ kiện. Kiểm tra tình trạng lệch trục hoặc bó kẹt của các bộ phận chuyên động, hiện tượng nứt vỡ của các bộ phận và mọi tình trạng khác mà có thể ảnh hưởng đến hoạt động của dụng cụ máy. Nếu có hỏng hóc, hãy sửa chữa dụng cụ máy trước khi sử dụng. Nhiều tai nạn xảy ra là do không bảo quản tốt dụng cụ máy.
6. Luôn giữ cho dụng cụ cất được sắc bén và sạch sẽ. Những dụng cụ cất được bảo quản tốt có mức cất sắc sẽ ít bị kẹt hơn và dễ điều khiển hơn.

7. Sử dụng dụng cụ máy, phụ tùng và đầu dụng cụ cắt, v.v... theo các hướng dẫn này, có tính đến điều kiện làm việc và công việc được thực hiện. Việc sử dụng dụng cụ máy cho các công việc khác với công việc dự định có thể gây nguy hiểm.
8. Giữ tay cầm và bề mặt tay cầm khô, sạch, không dính dầu và mỡ. Tay cầm trơn trượt và bề mặt tay cầm không cho phép xử lý an toàn và kiểm soát dụng cụ trong các tình huống bất ngờ.
9. Khi sử dụng dụng cụ, không được đi giày tay lao động bằng vải, có thể bị vướng. Việc giày tay lao động bằng vải vướng vào các bộ phận chuyên động có thể gây ra thương tích cá nhân.

Sử dụng và bảo quản dụng cụ dùng pin

1. Chỉ sạc pin lại với bộ sạc do nhà sản xuất quy định. Bộ sạc phù hợp với một loại bộ pin này có thể gây ra nguy cơ hỏa hoạn khi được dùng cho một bộ pin khác.
2. Chỉ sử dụng các dụng cụ máy với các bộ pin được quy định cụ thể. Việc sử dụng bất cứ bộ pin nào khác có thể gây ra thương tích và hỏa hoạn.
3. Khi không sử dụng bộ pin, hãy giữ tránh xa các đồ vật khác bằng kim loại, chẳng hạn như kẹp giấy, tiền xu, chìa khóa, đinh, ốc vít hoặc các vật nhỏ bằng kim loại mà có thể làm nối tắt các đầu cực pin. Các đầu cực pin bị đoản mạch có thể gây cháy hoặc hỏa hoạn.
4. Trong điều kiện sử dụng quá mức, pin có thể bị cháy nước; hãy tránh tiếp xúc. Nếu vô tình tiếp xúc với pin bị cháy nước, hãy rửa sạch bằng nước. Nếu dung dịch từ pin tiếp xúc với mắt, cần đi khám bác sĩ thêm. Dung dịch chảy ra từ pin có thể gây rát da hoặc bỏng.
5. Không sử dụng bộ pin hoặc dụng cụ bị hư hỏng hoặc đã bị sửa đổi. Pin đã bị hư hỏng hoặc đã bị sửa đổi có thể hành động theo cách không thể đoán trước dẫn đến cháy, nổ hoặc nguy cơ chấn thương.
6. Không để bộ pin hoặc dụng cụ tiếp xúc với lửa hoặc nhiệt độ quá cao. Tiếp xúc với lửa hoặc nhiệt độ trên 130 °C có thể gây ra cháy nổ.
7. Làm theo tất cả các hướng dẫn sạc pin và không dùng sạc bộ pin hoặc dụng cụ vượt giới hạn nhiệt độ quy định trong hướng dẫn. Sạc pin không đúng hoặc ở nhiệt độ vượt giới hạn nhiệt độ có thể gây hư hỏng cho pin và làm tăng nguy cơ cháy.

Bảo dưỡng

1. Để nhân viên sửa chữa đủ trình độ bảo dưỡng dụng cụ máy của bạn và chỉ sử dụng các bộ phận thay thế đồng nhất. Việc này sẽ đảm bảo duy trì được độ an toàn của dụng cụ máy.
2. Không bao giờ sử dụng bộ pin đã hỏng. Dịch vụ bảo hành bộ pin chỉ nên thực hiện bởi nhà sản xuất hoặc các nhà cung cấp dịch vụ được ủy quyền.
3. Tuân theo hướng dẫn dành cho việc bôi trơn và thay phụ tùng.

Cảnh báo an toàn đối với máy cắt

- Hãy tìm chỗ đứng cho bản thân mình và những người xung quanh để tránh xa mặt phẳng đĩa mài đang quay.** Phần bảo vệ giúp bảo vệ người vận hành khỏi các mảnh đĩa mài bị vỡ và vô tình tiếp xúc với đĩa mài.
- Chỉ sử dụng đĩa cắt tăng cường gắn kết cho dụng cụ máy của bạn.** Bởi nếu có thể gắn phụ kiện vào dụng cụ máy của bạn thì điều đó hoàn toàn không đảm bảo việc vận hành máy an toàn.
- Tốc độ định mức của phụ kiện ít nhất phải bằng tốc độ tối đa được đánh dấu trên dụng cụ máy này.** Các phụ kiện chạy nhanh hơn tốc độ định mức của chúng có thể bị vỡ và bay ra ngoài.
- Chỉ sử dụng đĩa mài cho các ứng dụng được khuyến nghị.** Ví dụ: không mài mặt bên của đĩa mài cắt. Đĩa mài cắt nhám được dùng để mài ngoài vì, tác dụng lực mài bên lên những đĩa mài này có thể khiến chúng vỡ vụn.
- Luôn luôn sử dụng mặt bích đĩa mài không bị hư hại có đường kính chính xác cho đĩa mài bạn đã chọn.** Các mặt bích đĩa mài phù hợp sẽ hỗ trợ đĩa mài giảm bớt khả năng bị vỡ đĩa mài.
- Đường kính bên ngoài và độ dày của phụ kiện phải nằm trong mức đánh giá công suất của dụng cụ máy của bạn.** Các phụ kiện có kích thước không chính xác không thể được bảo vệ hoặc kiểm soát một cách đầy đủ.
- Kích thước trục tâm của mặt bích và đĩa mài phải khớp với vòng hãm của dụng cụ máy này.** Mặt bích và đĩa mài có lỗ định vị giữa không khớp với phần cứng lắp đặt của dụng cụ máy sẽ bị mất cân bằng, rung động quá mức và có thể gây ra mất kiểm soát.
- Không sử dụng đĩa mài đã hỏng.** Trước mỗi lần sử dụng, hãy kiểm tra đĩa mài xem có các mặt vụn và vết nứt hay không. Nếu dụng cụ máy hoặc đĩa mài bị rơi, hãy kiểm tra hư hỏng hoặc lắp lại đĩa mài không bị hư hại. Sau khi kiểm tra và cài đặt đĩa mài, hãy tìm chỗ đứng cho bản thân mình và những người xung quanh để tránh xa mặt phẳng đĩa mài quay và chạy dụng cụ máy này ở tốc độ không tải tối đa trong vòng một phút. Đĩa mài bị hư hỏng thông thường sẽ bị vỡ trong thời gian thử nghiệm này.
- Mang thiết bị bảo hộ cá nhân.** Tùy thuộc vào việc sử dụng máy, hãy dùng mặt nạ bảo vệ mặt, kính bảo hộ hoặc kính an toàn. Khi thích hợp, hãy mang mặt nạ chống bụi, dụng cụ bảo vệ thính giác, găng tay và tạp dề công xưởng có khả năng ngăn chặn các mảnh mài mòn hoặc mảnh vỡ từ phôi gia công. Thiết bị bảo vệ mắt phải có khả năng ngăn chặn các mảnh vụn bay ra phát sinh bởi các hoạt động khác nhau. Mặt nạ chống bụi hoặc khẩu trang phải có khả năng lọc được các hạt tạo ra bởi hoạt động của bạn. Tiếp xúc kéo dài với tiếng ồn có cường độ cao có thể gây ra mất thính giác.
- Giữ những người xung quanh tránh xa nơi làm việc một khoảng cách an toàn.** Bắt cứ ai bước vào khu vực làm việc đều phải đeo thiết bị bảo hộ cá nhân. Các mảnh vỡ của phôi gia công hoặc đĩa mài bị vỡ có thể bắn ra và gây thương tích bên ngoài khu vực thao tác cạnh đó.
- Thường xuyên làm sạch các lỗ thông hơi của dụng cụ máy.** Quạt của động cơ có thể thu hút bụi vào bên trong vỏ và nhiều bột kim loại tích tụ có thể gây ra các nguy hiểm về điện.
- Không vận hành công cụ máy gần các vật liệu dễ cháy. Không vận hành dụng cụ máy khi đặt trên bề mặt dễ cháy như gỗ.** Các tia lửa có thể kích cháy các vật liệu này.
- Không sử dụng các phụ kiện có yêu cầu chất làm mát dạng lỏng.** Sử dụng chất làm mát bằng nước hoặc chất lỏng khác có thể dẫn đến điện giật hoặc sốc.

Lực đẩy ngược và cảnh báo liên quan

Lực đẩy ngược là một phản ứng bất ngờ đối với đĩa mài đang quay nhưng bị kẹt hoặc bị quán. Việc bị kẹt hoặc quán sẽ làm đĩa mài đang quay bị dừng nhanh chóng và do đó thiết bị cắt không kiểm soát được sẽ bị buộc phải hướng lên trên về phía người vận hành. Ví dụ, nếu đĩa nhám bị quán hoặc kẹt bởi phôi gia công, phần mép của đĩa đang đi vào điểm kẹt có thể cây xới bề mặt vật liệu làm đĩa nhám trượt hoặc văng ra ngoài. Đĩa nhám cũng có thể bị vỡ trong những tình trạng sau. Lực đẩy ngược là kết quả của việc sử dụng dụng cụ máy không đúng và/hoặc do các quy trình vận hành hoặc các điều kiện không chính xác và có thể tránh được bằng cách thực hiện các biện pháp phòng ngừa thích hợp như được nêu dưới đây.

- Nắm giữ chắc dụng cụ máy và chọn thể đứng và vị trí tay cầm để cho phép bạn chống lại lực đẩy ngược.** Người vận hành máy có thể kiểm soát lực đẩy ngược hướng lên trên nếu thực hiện các biện pháp phòng ngừa đúng cách.
- Không được để cơ thể bạn thẳng hàng với đĩa mài đang quay.** Nếu xảy ra hiện tượng bật ngược lại sẽ đẩy thiết bị cắt hướng lên trên về phía người vận hành.
- Không được gắn lưỡi cưa xích, khắc gỗ, đĩa mài kim cương hình quạt với khoảng cách ngoài vi lớn hơn 10 mm hoặc dính kèm lưỡi cưa có răng.** Các loại lưỡi như vậy thường tạo ra lực đẩy ngược và dễ mất kiểm soát.
- Không làm “kẹt” đĩa mài hoặc dùng lực quá nhiều.** Không cố thực hiện chiều sâu cắt quá mức. Dùng lực quá nhiều lên đĩa mài sẽ làm tăng tải trọng và dễ bị xoắn hoặc bó kẹt đĩa mài khi cắt và có khả năng đẩy ngược hoặc bị vỡ đĩa mài.
- Khi đĩa mài bị bó kẹt hoặc khi đường cắt bị gián đoạn vì bất kỳ lý do nào, hãy tắt dụng cụ máy và giữ thiết bị cắt đứng im cho đến khi đĩa mài hoàn toàn dừng lại.** Không được cố gỡ đĩa mài ra khỏi đường cắt khi đĩa mài vẫn đang chuyển động nếu không có thể xảy ra hiện tượng bật ngược lại. Kiểm tra và tiến hành khắc phục để loại bỏ nguyên nhân gây bó kẹt đĩa mài.
- Không khởi động lại thao tác cắt trong phôi gia công.** Để đĩa mài đặt đến tốc độ tối đa và cẩn thận nhập lại đường cắt. Đĩa mài có thể bị bó kẹt, bật lên hoặc bật ngược lại nếu dụng cụ máy được khởi động lại trong phôi gia công.
- Đỡ phôi gia công có kích thước quá lớn để giảm thiểu nguy cơ làm kẹt bó đĩa và bật ngược lại.** Phôi gia công lớn thường có xu hướng võng xuống do khối lượng của nó. Phải đặt các giá đỡ dưới phôi gia công gần đường cắt và gần cạnh của phôi gia công ở cả hai phía của đĩa mài.

Cảnh báo an toàn bổ sung

1. **Coi chừng các tia lửa bắn ra khi vận hành.** Chúng có thể gây ra thương tích hoặc kích cháy các vật liệu dễ cháy.
2. **Giữ chặt vật công tác. Sử dụng bàn kẹp hoặc mô cặp để giữ khi thực hành.** Điều này sẽ an toàn hơn dùng tay và giúp hai tay tự do để vận hành dụng cụ.
3. **Xiết chặt đĩa cắt cẩn thận.**
4. **Cẩn thận để không làm hỏng trụ quay, các mặt bích (đặc biệt là bề mặt lắp đặt) hoặc bu-lông, hoặc đế đĩa cắt tự vỡ.**
5. **Giữ các phần bảo vệ đúng vị trí và theo thứ tự làm việc.**
6. **Giữ thật chắc tay cầm.**
7. **Giữ tay tránh xa các bộ phận quay.**
8. **Phải đảm bảo rằng đĩa cắt không tiếp xúc với phôi gia công trước khi bật công tắc lên.**
9. **Trước mỗi lần sử dụng, theo dõi sự dao động hoặc rung động quá mức có thể bị gây ra do việc lắp đặt không đạt yêu cầu hoặc đĩa mài được cân bằng kém.**
10. **Loại bỏ vật liệu hoặc các mảnh vụn ra khỏi khu vực có thể kích nổ bởi các tia lửa.** Đảm bảo rằng không có ai khác ở trên đường tiến của các tia lửa. Luôn để sẵn bình chữa cháy đã sạc đầy, đúng cách ở gần bên.
11. **Nếu đĩa cắt dừng lại trong khi vận hành, tạo ra tiếng ồn lạ hoặc bắt đầu rung động, hãy tắt dụng cụ ngay lập tức.**
12. **Luôn tắt công tắc và chờ cho đĩa cắt ngừng hoàn toàn trước khi tháo, cố định phôi gia công, chạy dụng cụ kẹp, thay đổi vị trí làm việc, góc hoặc đĩa cắt của chính nó.**
13. **Không chạm vào phôi gia công ngay sau khi vận hành; chúng rất nóng và có thể gây bỏng da.**
14. **Chỉ cắt giữ đĩa mài ở nơi khô ráo.**

LƯU GIỮ CÁC HƯỚNG DẪN NÀY.

Hướng dẫn quan trọng về an toàn dành cho hộp pin

1. Trước khi sử dụng hộp pin, hãy đọc kỹ tất cả các hướng dẫn và dấu hiệu cảnh báo trên (1) bộ sạc pin, (2) pin và (3) sản phẩm sử dụng pin.
2. Không tháo rời hộp pin.
3. Nếu thời gian vận hành ngắn hơn quá mức, hãy ngừng vận hành ngay lập tức. Điều này có thể dẫn đến rủi ro quá nhiệt, có thể gây bỏng và thậm chí là nổ.
4. Nếu chất điện phân rơi vào mắt, hãy rửa sạch bằng nước sạch và đến cơ sở y tế ngay lập tức. Chất này có thể khiến bạn giảm thị lực.

5. **Không để hộp pin ở tình trạng đoản mạch:**
 - (1) Không chạm vào cực pin bằng vật liệu dẫn điện.
 - (2) Tránh cất giữ hộp pin trong hộp có các vật kim loại khác như đinh, tiền xu, v.v...
 - (3) Không được để hộp pin tiếp xúc với nước hoặc mưa.
- Đoản mạch pin có thể gây ra dòng điện lớn, quá nhiệt, có thể gây bỏng và thậm chí là hỏng hóc.
6. Không cất giữ dụng cụ và hộp pin ở nơi nhiệt độ có thể lên tới hoặc vượt quá 50°C.
7. Không đốt hộp pin ngay cả khi hộp pin đã bị hư hại nặng hoặc hư hỏng hoàn toàn. Hộp pin có thể nổ khi tiếp xúc với lửa.
8. Hãy cẩn trọng không làm rơi hoặc làm méo pin.
9. Không sử dụng pin đã hỏng.
10. **Pin nén lithium-ion là đối tượng có yêu cầu bắt buộc theo Luật Hàng hoá Nguy hiểm.** Đối với vận tải thương mại, ví dụ như vận tải do bên thứ ba, đại lý giao nhận, thì yêu cầu đặc biệt về đóng gói và nhãn ghi phải được giám sát. Để chuẩn bị cho mặt hàng cần vận chuyển, cần phải tham khảo ý kiến chuyên gia về vật liệu nguy hiểm. Nếu được, vui lòng tuân thủ các quy định quốc gia chi tiết hơn. Buộc hoặc niêm phong các tiếp điểm mở và đóng gói pin theo cách đó để nó không thể di chuyển trong bao bì.
11. Tuân theo các quy định của địa phương liên quan đến việc thải bỏ pin.
12. Chỉ sử dụng pin cho các sản phẩm Makita chỉ định. Lắp pin vào sản phẩm không thích hợp có thể gây ra hỏa hoạn, quá nhiệt, nổ, hoặc rò chất điện phân.

LƯU GIỮ CÁC HƯỚNG DẪN NÀY.

⚠ THẬN TRỌNG: Chỉ sử dụng pin Makita chính hãng. Việc sử dụng pin không chính hãng Makita, hoặc pin đã được sửa đổi, có thể dẫn đến nổ pin gây ra cháy, thương tích và thiệt hại cá nhân. Nó cũng sẽ làm mất hiệu lực bảo hành của Makita dành cho dụng cụ của Makita và bộ sạc.

Mẹo duy trì tuổi thọ tối đa cho pin

1. Sạc hộp pin trước khi pin bị xả điện hoàn toàn. Luôn dừng việc vận hành dụng cụ và sạc pin khi bạn nhận thấy công suất dụng cụ bị giảm.
2. Không được phép sạc lại một hộp pin đã được sạc đầy. Sạc quá mức sẽ làm giảm tuổi thọ của pin.
3. Sạc pin ở nhiệt độ phòng 10°C - 40°C. Để cho hộp pin nóng nguội lại dần trước khi sạc pin.
4. Sạc pin sáu tháng một lần nếu bạn không sử dụng dụng cụ trong một thời gian dài (hơn sáu tháng).

LẮP RÁP

⚠ CẢNH BÁO: Dụng cụ này sẽ sinh ra tia lửa khi cắt phôi gia công. Không lắp dụng cụ này ở những nơi mà vật liệu dễ cháy và/hoặc dễ phát nổ có thể bị kích nổ bởi các tia lửa từ dụng cụ. Cũng phải đảm bảo rằng không có những vật liệu đó ở gần dụng cụ trước khi bắt đầu vận hành.

Cố định phần đế

Dụng cụ này cần phải được bắt hai bu-lông vào một bề mặt phẳng và cố định có sử dụng các lỗ bu-lông được cung cấp trong đế của dụng cụ. Điều này sẽ giúp ngăn trượt dụng cụ và thương tích cá nhân có thể xảy ra.

► **Hình1:** 1. Các lỗ bu-lông 2. Đế

MÔ TẢ CHỨC NĂNG

⚠ CẢNH BÁO: Luôn đảm bảo rằng dụng cụ đã được tắt và hộp pin đã được tháo trước khi điều chỉnh hoặc kiểm tra chức năng trên dụng cụ. Không tắt hoặc tháo hộp pin vì có thể dẫn đến các thương tích cá nhân nghiêm trọng do vô tình khởi động máy.

Mở/khóa đầu dụng cụ

Đầu dụng cụ có thể được khóa lại. Luôn khóa đầu dụng cụ khi không sử dụng hoặc khi mang vác.

Để mở khóa, nhả đầu dụng cụ và đẩy chốt khóa. Để khóa, xoay chốt khóa trở về trong khi giữ đầu dụng cụ hướng xuống.

► **Hình2:** 1. Chốt khóa

Lắp hoặc tháo hộp pin

⚠ THẬN TRỌNG: Luôn tắt dụng cụ trước khi lắp hoặc tháo hộp pin.

⚠ THẬN TRỌNG: Giữ dụng cụ và hộp pin thật chắc khi lắp hoặc tháo hộp pin. Không giữ dụng cụ và hộp pin thật chắc có thể làm trượt chúng khỏi tay và làm hư hỏng dụng cụ và hộp pin hoặc gây thương tích cá nhân.

► **Hình3:** 1. Đèn chỉ báo màu đỏ 2. Nút 3. Hộp pin

Để tháo hộp pin, vừa trượt pin ra khỏi dụng cụ vừa đẩy trượt nút ở phía trước hộp pin.

Để lắp hộp pin, đặt thẳng hàng phần chốt nhô ra của hộp pin vào phần rãnh nằm trên vỏ và trượt hộp pin vào vị trí. Đưa hộp pin vào cho đến khi chốt khóa vào đúng vị trí với một tiếng “cách” nhẹ. Nếu bạn vẫn còn nhìn thấy đèn chỉ báo màu đỏ ở mặt trên của nút, điều đó có nghĩa là chốt vẫn chưa được khóa hoàn toàn.

⚠ THẬN TRỌNG: Luôn lắp hộp pin khớp hoàn toàn vào vị trí cho đến khi không thể nhìn thấy đèn chỉ báo màu đỏ. Nếu không, hộp pin có thể vô tình rơi ra khỏi dụng cụ, gây thương tích cho bạn hoặc người khác xung quanh.

⚠ THẬN TRỌNG: Không được dùng sức lắp hộp pin. Nếu hộp pin không nhẹ nhàng trượt vào vị trí, có nghĩa là pin vẫn chưa được lắp đúng.

LƯU Ý: Dụng cụ này không hoạt động nếu chỉ có một hộp pin.

Hệ thống bảo vệ dụng cụ / pin

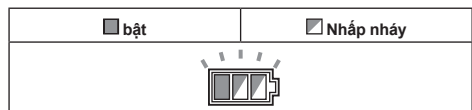
Dụng cụ này được trang bị hệ thống bảo vệ dụng cụ / pin. Hệ thống này sẽ tự động ngắt nguồn điện đến động cơ để kéo dài tuổi thọ dụng cụ và pin. Dụng cụ sẽ tự động dừng vận hành khi dụng cụ hoặc pin ở một trong những trường hợp sau đây. Trong một số trường hợp, các đèn chỉ báo này sẽ sáng lên.

Bảo vệ quá tải

Khi vận hành dụng cụ trong điều kiện làm máy tiêu tốn dòng cao bất thường, dụng cụ sẽ tự động dừng lại. Trong trường hợp này, hãy tắt dụng cụ và ngừng ứng dụng làm cho dụng cụ trở nên quá tải. Sau đó bật dụng cụ lên để khởi động lại.

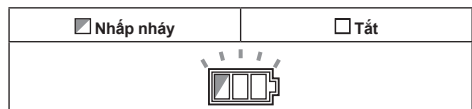
Bảo vệ quá nhiệt

Khi bị quá nhiệt, dụng cụ sẽ tự động dừng, và đèn chỉ báo pin sẽ nhấp nháy khoảng 60 giây. Trong tình huống này, hãy tắt dụng cụ nguội lại dần trước khi bật dụng cụ một lần nữa.



Bảo vệ xả điện quá mức

Khi dung lượng pin yếu, thì dụng cụ sẽ tự động dừng và đèn chỉ báo pin của hộp pin đã cạn sẽ nhấp nháy. Nếu sản phẩm không vận hành ngay cả khi vận hành công tắc, hãy tháo hộp pin đã cạn ra khỏi dụng cụ và sạc pin.



Chỉ báo dung lượng pin còn lại

► **Hình4:** 1. Đèn chỉ báo pin 2. Nút Check (kiểm tra)

Ấn nút Check (kiểm tra) để chỉ báo dung lượng pin còn lại. Đèn chỉ báo pin tương ứng với từng loại pin.

Trạng thái đèn chỉ báo pin			Dung lượng pin còn lại
Bật	Tắt	Nhấp nháy	
			50% đến 100%
			20% đến 50%
			0% đến 20%
			Sạc pin

Chỉ báo dung lượng pin còn lại

Chỉ dành cho hộp pin có đèn chỉ báo

► **Hình5:** 1. Các đèn chỉ báo 2. Nút Check (kiểm tra)

Ấn nút check (kiểm tra) trên hộp pin để chỉ báo dung lượng pin còn lại. Các đèn chỉ báo bật sáng lên trong vài giây.

Các đèn chỉ báo			Dung lượng còn lại
Bật sáng	Tắt	Nhấp nháy	
			75% đến 100%
			50% đến 75%
			25% đến 50%
			0% đến 25%
			Sạc pin.
			Pin có thể đã bị hỏng.

LƯU Ý: Tùy thuộc vào các điều kiện sử dụng và nhiệt độ xung quanh, việc chỉ báo có thể khác biệt một chút so với dung lượng thực sự.

Hoạt động công tắc

⚠ CẢNH BÁO: Trước khi lắp hộp pin vào dụng cụ, luôn luôn kiểm tra xem cần khởi động công tắc có hoạt động bình thường hay không và trả về vị trí "OFF" (TẮT) khi nhả ra.

► **Hình6:** 1. Nút nhả khóa 2. Cần khởi động công tắc

Để ngăn ngừa vô tình kéo bộ khởi động công tắc, dụng cụ được trang bị một nút nhả khóa. Để khởi động dụng cụ, nhấn nút nhả khóa và kéo cần khởi động công tắc. Nhả cần khởi động công tắc ra để dừng.

⚠ CẢNH BÁO: KHÔNG ĐƯỢC PHÉP làm hỏng nút nhả khóa bằng cách buộc xuống hoặc một số cách khác. Một nút nhả khóa không hiệu quả có thể dẫn đến vận hành vô tình và thương tích cá nhân nghiêm trọng.

⚠ CẢNH BÁO: KHÔNG ĐƯỢC PHÉP sử dụng dụng cụ này nếu nó chạy khi bạn chỉ kéo cần khởi động công tắc mà không nhấn nút nhả khóa. Một công tắc cần sửa có thể dẫn đến vận hành vô tình và thương tích cá nhân nghiêm trọng. Hãy trả dụng cụ lại cho một trung tâm dịch vụ Makita để sửa chữa phù hợp TRƯỚC KHI sử dụng tiếp sau này.

CHÚ Ý: Không được kéo mạnh bộ khởi động công tắc mà không ấn nút nhả khóa. Điều này có thể làm gãy nút công tắc.

Đèn chỉ báo trạng thái tải

Đèn chỉ báo trạng thái tải cho thấy mức độ tải trên động cơ trong quá trình cắt. Khi tải trên động cơ tăng, số lượng đèn chiếu sáng cũng tăng lên.

► **Hình7:** 1. Đèn chỉ báo trạng thái tải

Cảnh báo quá tải

Nếu động cơ được vận hành với tải trọng quá mức, tất cả các đèn chỉ báo trạng thái tải sẽ nhấp nháy. Hãy giảm tải trên động cơ trong trường hợp này. Nếu bạn tiếp tục tải động cơ trong khi đèn chỉ báo trạng thái tải nhấp nháy, dụng cụ sẽ tự động dừng sau vài giây do hệ thống bảo vệ quá tải.

LƯU Ý: Nếu chỉ phát sinh quá tải trong thời gian ngắn, dụng cụ sẽ tự động dừng mà đèn chỉ báo trạng thái tải không nhấp nháy.

Khoảng cách giữa dụng cụ kẹp và tấm cữ

⚠ THẬN TRỌNG: Sau khi điều chỉnh khoảng cách giữa mô cặp và tấm cữ, đảm bảo rằng tấm cữ được cố định đúng cách. Cố định không đủ chặt có thể gây ra thương tích cá nhân.

Các thiết lập khoảng thời gian sau đây của dụng cụ kẹp luôn có sẵn:

- 0 - 170 mm (cài đặt gốc)
- 35 - 205 mm
- 70 - 240 mm

Nếu công việc của bạn đòi hỏi cài đặt khác, hãy tiến hành như sau để thay đổi khoảng cách hoặc khoảng thời gian.

Nới lỏng vít trên tấm cữ. Di chuyển tấm cữ sang vị trí mong muốn rồi vặn chặt vít.

► **Hình8:** 1. Vít 2. Tấm cữ

Điều chỉnh góc cắt

⚠ THẬN TRỌNG: Sau khi điều chỉnh góc của tấm cữ, đảm bảo rằng tấm cữ được cố định chắc chắn. Cố định không đủ chặt có thể gây ra thương tích cá nhân.

⚠ THẬN TRỌNG: Không vận hành dụng cụ khi vật liệu không được giữ chặt bằng mỏ cạp đo góc cắt.

Xoay cần ngược chiều kim đồng hồ. Di chuyển tấm cữ sang góc mong muốn và vận cần thật chặt.

▶ **Hình9:** 1. Tấm cữ 2. Cần

LƯU Ý: Thang đo trên tấm cữ chỉ cho thấy dấu hiệu sơ lược. Đối với các góc cần chính xác hơn, hãy dùng dụng cụ đo góc hoặc thước tam giác. Giữ tay cầm hướng xuống sao cho đĩa cắt kéo dài vào phần đế. Cùng lúc đó, điều chỉnh góc giữa tấm cữ và đĩa cắt bằng dụng cụ đo góc hoặc thước tam giác.

Điều chỉnh bộ phận chắn tia lửa

Đặc trưng quốc gia

Bộ phận chắn tia lửa lắp đặt tại nhà máy có mép dưới tiếp xúc với phần đế. Vận hành dụng cụ ở vị trí này sẽ gây ra nhiều tia lửa bắn ra xung quanh. Nới lỏng vít và điều chỉnh bộ phận chắn tia lửa sang vị trí giảm tối thiểu các tia lửa bắn ra xung quanh.

▶ **Hình10:** 1. Vít 2. Bộ phận chắn tia lửa

Chức năng điện tử

Dụng cụ được trang bị chức năng điện tử giúp dễ dàng vận hành nhờ (các) tính năng sau.

Tính năng khởi động mềm

Khởi động mềm để tránh bị giật lúc khởi động.

LẮP RÁP

⚠ CẢNH BÁO: Luôn đảm bảo rằng đã tắt dụng cụ và tháo hộp pin ra trước khi thực hiện trên dụng cụ. Không tắt hoặc tháo hộp pin có thể dẫn đến các thương tích cá nhân nghiêm trọng.

Mở phần bảo vệ an toàn kiểu nắp mở trung tâm

Đặc trưng quốc gia

Đối với dụng cụ được trang bị phần bảo vệ an toàn kiểu nắp mở trung tâm, nới lỏng ốc xiết trước tiên rồi mới nâng phần bảo vệ lên.

▶ **Hình11:** 1. Ốc xiết

Mở phần bảo vệ an toàn kiểu dành cho Châu Âu

Đặc trưng quốc gia

Đối với dụng cụ được trang bị phần bảo vệ an toàn kiểu dành cho Châu Âu, nới lỏng ốc xiết trước tiên rồi mới mở phần bảo vệ như trong hình.

▶ **Hình12:** 1. Ốc xiết

▶ **Hình13**

▶ **Hình14**

Tháo hoặc lắp đĩa cắt

⚠ THẬN TRỌNG: Đảm bảo đã vận chặt kẹp cơ. Vận không đủ chặt có thể gây ra thương tích nghiêm trọng.

⚠ THẬN TRỌNG: Chỉ luôn sử dụng các vành trong và vành ngoài thích hợp được cung cấp kèm theo dụng cụ.

⚠ THẬN TRỌNG: Luôn hạ phần bảo vệ an toàn sau khi thay đĩa cắt.

⚠ THẬN TRỌNG: Mang găng tay khi xử lý đĩa mài.

Nâng phần bảo vệ lên. Xoay kẹp cơ ngược chiều kim đồng hồ trong khi giữ khóa trục hướng xuống. Sau đó tháo kẹp cơ, vành ngoài và đĩa cắt. Khi tháo đĩa cắt, không tháo vành trong cũng như các vòng và vòng chữ O.

▶ **Hình15:** 1. Khóa trục 2. Kẹp cơ

▶ **Hình16:** 1. Vành trong 2. Vòng 3. Vòng chữ O
4. Đĩa cắt 5. Vành ngoài 6. Kẹp cơ

Để lắp đĩa cắt, hãy làm ngược lại quy trình tháo ra. Đảm bảo đã gắn lỗ của đĩa cắt vào vòng và xoay phần bảo vệ an toàn trở về.

VẬN HÀNH

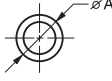
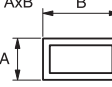
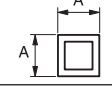

⚠ THẬN TRỌNG: Xử lý áp suất thích hợp trong quá trình cắt và hiệu quả cắt tối đa có thể được xác định bởi số lượng các tia lửa sinh ra trong khi cắt. Không có cắt bằng cách dùng lực quá nhiều trên tay cầm. Hiệu quả cắt giảm, đĩa mài bị mòn sớm, cũng như khả năng hư hỏng dụng cụ, đĩa cắt hoặc phối gia công có thể xảy ra.

Giữ thật chắc tay cầm. Bật dụng cụ và chờ đến khi đĩa cắt đạt được tốc độ tối đa trước khi nhẹ nhàng hạ thấp sang vị trí cắt. Khi đĩa cắt tiếp xúc với phối gia công, dần dần ấn lực xuống tay cầm để thực hiện cắt. Sau khi cắt xong, hãy tắt dụng cụ và chờ đến khi đĩa cắt dừng hoàn toàn trước khi đưa tay cầm trở lại vị trí nâng cao hết mức.

Khả năng cắt

Công suất cắt tối đa thay đổi tùy theo góc cắt và hình dạng phôi gia công.

Công suất cắt tối đa với đĩa cắt mới tinh

Góc cắt/ Hình dạng phôi gia công	90°	45°
	ø 127 mm	ø 127 mm
	115 x 130 mm 102 x 194 mm 70 x 233 mm	115 x 103 mm
	119 x 119 mm	106 x 106 mm
	137 x 137 mm	100 x 100 mm

LƯU Ý: Khuyến dùng phôi gia công mỏng hơn 1,6 mm để cắt bằng dụng cụ này.

Cố định phôi gia công

⚠ THẬN TRỌNG: Luôn đặt giá đỡ ren lên các ren trục khi cố định phôi gia công. Không làm như vậy có thể dẫn đến phôi gia công không được cố định chắc. Điều này có thể làm phôi gia công bị đẩy ra hoặc gây vỡ đĩa cắt rất nguy hiểm.

Trong khi nâng giá đỡ ren lên, tấm dụng cụ kẹp có thể được di chuyển ra vào nhanh chóng. Để nắm lấy phôi gia công, đẩy tay cầm cho đến khi tấm dụng cụ kẹp tiếp xúc với phôi gia công rồi sau đó quay trở về giá đỡ ren. Xoay tay cầm theo chiều kim đồng hồ cho đến khi phôi gia công được giữ chặt.

► **Hình17:** 1. Tay cầm 2. Giá đỡ ren 3. Tấm dụng cụ kẹp

Khi đĩa cắt đã bị mòn đáng kể, đặt một khối để chặn đằng sau các phôi gia công như thể hiện trong hình. Bạn có thể sử dụng đĩa mài bị mòn hiệu quả hơn bằng cách sử dụng điểm giữa trong chu vi của đĩa mài để cắt phôi gia công. Sử dụng vật liệu không cháy và bền cho khối để chặn.

► **Hình18:** 1. Khối để chặn

Khi cắt phôi gia công ở một góc rộng hơn 85 mm, hãy gắn các mẫu gỗ thẳng (để chặn) dài hơn 190 mm x rộng hơn 40 mm vào tấm cữ như thể hiện trong hình. Gắn để chặn này bằng các vít xuyên qua các lỗ trong tấm cữ. Đảm bảo rằng đĩa cắt không tiếp xúc với để chặn khi nhà đầu dụng cụ.

► **Hình19:** 1. Tấm cữ 2. Khối để chặn (dài hơn 190 mm x rộng hơn 40 mm) 3. Phôi gia công (rộng hơn 85 mm) 4. Tấm dụng cụ kẹp

CHÚ Ý: Khi sử dụng khối để chặn, lắp tấm cữ đến vị trí gắn cổ của đầu dụng cụ nhất.

► **Hình20**

Khi đĩa cắt đã bị mòn, tăng vị trí cắt bằng cách đặt khối để chặn hơi hẹp hơn so với phôi gia công như thể hiện trong hình. Điều này sẽ giúp bạn sử dụng đĩa cắt tiết kiệm.

► **Hình21:** 1. Tấm dụng cụ kẹp 2. Đường kính phôi gia công 3. Tấm cữ 4. Chiều rộng khối để chặn

Phôi gia công dài phải được đỡ bằng các khối trên cả hai mặt sao cho nó nằm ngang với chóp để. Sử dụng vật liệu không cháy cho khối đỡ.

► **Hình22:** 1. Khối đỡ

Mang vác dụng cụ

Trước khi mang đi, hãy tháo pin và gập đầu dụng cụ xuống, sau đó khóa lại. Giữ tay cầm khi mang vác.

► **Hình23**

BẢO TRÌ

⚠ THẬN TRỌNG: Hãy luôn chắc chắn rằng dụng cụ đã được tắt và hộp pin đã được tháo ra trước khi cố gắng thực hiện việc kiểm tra hay bảo dưỡng.

CHÚ Ý: Không được phép dùng xăng, ết xăng, dung môi, cồn hoặc hóa chất tương tự. Có thể xảy ra hiện tượng mất màu, biến dạng hoặc nứt vỡ.

Để đảm bảo ĐỘ AN TOÀN và ĐỘ TIN CẬY của sản phẩm, việc sửa chữa hoặc bất cứ thao tác bảo trì, điều chỉnh nào đều phải được thực hiện bởi các Trung tâm Dịch vụ Nhà máy hoặc Trung tâm được Makita Ủy quyền và luôn sử dụng các phụ tùng thiết bị thay thế của Makita.

PHỤ KIỆN TÙY CHỌN

⚠ THẬN TRỌNG: Các phụ kiện hoặc phụ tùng gắn thêm này được khuyến cáo sử dụng với dụng cụ Makita của bạn theo như quy định trong hướng dẫn này. Việc sử dụng bất cứ phụ kiện hoặc phụ tùng gắn thêm nào khác đều có thể gây ra rủi ro thương tích cho người. Chỉ sử dụng phụ kiện hoặc phụ tùng gắn thêm cho mục đích đã quy định sẵn của chúng.

Nếu bạn cần bất kỳ sự hỗ trợ nào để biết thêm chi tiết về các phụ tùng này, hãy hỏi Trung tâm Dịch vụ của Makita tại địa phương của bạn.

- Các đĩa cắt nhám
- Pin và bộ sạc chính hãng của Makita

LƯU Ý: Một số mục trong danh sách có thể được bao gồm trong gói dụng cụ làm phụ kiện tiêu chuẩn. Các mục này ở mỗi quốc gia có thể khác nhau.

ข้อมูลจำเพาะ

รุ่น:	DLW140	
เส้นผ่านศูนย์กลางของล้อ	355 mm	
เส้นผ่านศูนย์กลางของรู	25.4 mm	
ความหนาล้อสูงสุด	3 mm	
ความเร็วหมุนเปล่า	3,800 min ⁻¹	
แรงดันไฟฟ้าสูงสุด	D.C. 36 V	
ขนาด (ยาว x กว้าง x สูง)	มีที่ป้องกันแบบยุโรป	537 mm x 290 mm x 640 mm
	มีที่ป้องกันประเภทอื่นนอกเหนือจากแบบยุโรป	537 mm x 280 mm x 640 mm
	มีที่ป้องกันประเภทฝาปิดตรงกลาง	537 mm x 280 mm x 640 mm
น้ำหนักสุทธิ	มีที่ป้องกันแบบยุโรป	17.2 - 17.8 kg
	มีที่ป้องกันประเภทอื่นนอกเหนือจากแบบยุโรป	15.6 - 16.3 kg
	มีที่ป้องกันประเภทฝาปิดตรงกลาง	15.4 - 16.0 kg

- เนื่องจากการค้นคว้าวิจัยและพัฒนาอย่างต่อเนื่อง ข้อมูลจำเพาะในเอกสารฉบับนี้อาจเปลี่ยนแปลงได้โดยไม่ต้องแจ้งให้ทราบล่วงหน้า
- ข้อมูลจำเพาะอาจแตกต่างกันไปในแต่ละประเทศ
- น้ำหนักอาจแตกต่างกันไปตามอุปกรณ์เสริม รวมถึงตลับแบตเตอรี่ การติดอุปกรณ์เสริมที่เบาที่สุดและหนักที่สุดตามข้อบังคับของ EPTA 01/2014 มีแสดงอยู่ในตาราง
- รูปทรงและน้ำหนักจะแตกต่างกันไปตามข้อมูลจำเพาะ ซึ่งจะแตกต่างกันไปในแต่ละประเทศ

ตลับแบตเตอรี่และเครื่องชาร์จที่ใช้ได้

ตลับแบตเตอรี่	BL1815N / BL1820 / BL1820B / BL1830 / BL1830B / BL1840 / BL1840B / BL1850 / BL1850B / BL1860B
เครื่องชาร์จ	DC18RC / DC18RD / DC18RE / DC18SD / DC18SE / DC18SF

- ตลับแบตเตอรี่และเครื่องชาร์จบางรายการที่แสดงอยู่ด้านบนอาจไม่มีวางจำหน่ายขึ้นอยู่กับภูมิภาคที่คุณอาศัยอยู่

คำเตือน: ใช้ตลับแบตเตอรี่และเครื่องชาร์จที่ระบุไว้ข้างบนเท่านั้น การใช้ตลับแบตเตอรี่และเครื่องชาร์จประเภทอื่นอาจก่อให้เกิดความเสี่ยงที่จะได้รับบาดเจ็บและ/หรือเกิดไฟไหม้

สัญลักษณ์

ต่อไปนี้เป็นสัญลักษณ์ที่ใช้สำหรับอุปกรณ์ โปรดศึกษาความหมายของสัญลักษณ์ให้เข้าใจก่อนการใช้งาน



สวมแว่นตานิรภัย



อ่านคู่มือการใช้งาน



Ni-MH
Lithion

สำหรับประเทศในสหภาพยุโรปเท่านั้น ห้ามทิ้งอุปกรณ์ไฟฟ้าหรือชุดแบตเตอรี่รวมกับขยะครัวเรือนทั่วไป! เพื่อให้เป็นไปตามกฎระเบียบของยุโรปเกี่ยวกับขยะจำพวกอุปกรณ์ไฟฟ้าและอิเล็กทรอนิกส์ และขยะจำพวกแบตเตอรี่และหม้อสะสมไฟฟ้า และการปฏิบัติตามกฎหมายในประเทศ ต้องเก็บอุปกรณ์ไฟฟ้าและแบตเตอรี่และชุดแบตเตอรี่ที่หมดอายุการใช้งานแล้วแยกต่างหาก และส่งกลับไปยังศูนย์รีไซเคิลที่เป็นมิตรต่อสิ่งแวดล้อม

จุดประสงค์การใช้งาน

เครื่องมือนี้ใช้สำหรับตัดวัสดุโลหะโดยใช้ลวดตัดแบบขั้วที่เหมาะสม ปฏิบัติตามกฎหมายและข้อกำหนดทั้งหมดที่เกี่ยวข้องกับฝุ่นและสุขภาพและความปลอดภัยในพื้นที่ทำงานในประเทศของคุณ

คำเตือนด้านความปลอดภัย

คำเตือนด้านความปลอดภัยของเครื่องมือไฟฟ้าทั่วไป

คำเตือน: โปรดอ่านคำเตือนด้านความปลอดภัย คำแนะนำ ภาพประกอบ และข้อมูลจำเพาะต่างๆ ที่หามาพร้อมกับเครื่องมือไฟฟ้าน้อย่างละเอียด การไม่ปฏิบัติตามคำแนะนำดังต่อไปนี้ อาจส่งผลให้เกิดไฟฟ้าช็อต ไฟไหม้ และ/หรือได้รับบาดเจ็บอย่างร้ายแรงได้

เก็บรักษาคำเตือนและคำแนะนำทั้งหมดไว้

เป็นข้อมูลอ้างอิงในอนาคต

คำว่า "เครื่องมือไฟฟ้า" ในคำเตือนนี้หมายถึงเครื่องมือไฟฟ้า (มีสาย) ที่ทำงานโดยใช้กระแสไฟฟ้าหรือเครื่องมือไฟฟ้า (ไร้สาย) ที่ทำงานโดยใช้แบตเตอรี่

ความปลอดภัยของพื้นที่ทำงาน

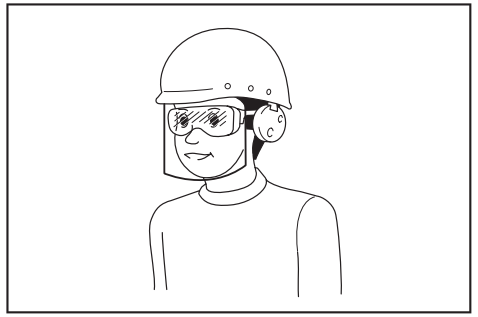
1. ดูแลพื้นที่ทำงานให้มีความสะอาดและมีแสงไฟสว่าง พื้นที่ที่ระเกะระกะหรือมืดที่บดบังนำไปสู่การเกิดอุบัติเหตุได้
2. อย่าใช้งานเครื่องมือไฟฟ้าในสภาพที่อาจเกิดการระเบิด เช่น ในสถานที่ที่มีของเหลว ก๊าซ หรือฝุ่นผงที่มีคุณสมบัติไวไฟ เครื่องมือไฟฟ้าอาจสร้างประกายไฟและจุดชนวนฝุ่นผงหรือก๊าซดังกล่าว
3. ดูแลไม่ให้มีเด็กๆ หรือบุคคลอื่นอยู่ในบริเวณที่กำลังใช้เครื่องมือไฟฟ้า การมีสิ่งรบกวนสมาธิอาจทำให้คุณสูญเสียการควบคุม

ความปลอดภัยด้านไฟฟ้า

1. ปลั๊กของเครื่องมือไฟฟ้าต้องพอดีกับเต้ารับ อย่าดัดแปลงปลั๊กไม่ว่ากรณีใดๆ อย่าใช้ปลั๊กอะแดปเตอร์กับเครื่องมือไฟฟ้าที่ต่อสายดิน ปลั๊กที่ไม่ถูกดัดแปลงและเต้ารับที่เข้ากันพอดีจะช่วยลดความเสี่ยงของการเกิดไฟฟ้าช็อต
2. ระมัดระวังให้ร่างกายสัมผัสกับพื้นผิวที่ต่อสายดิน เช่น ท่อ เครื่องนำความร้อน เต่างู้งัด และตู้เย็น มีความเสี่ยงที่จะเกิดไฟฟ้าช็อตสูงขึ้น หากร่างกายของคุณสัมผัสกับพื้น
3. อย่าให้เครื่องมือไฟฟ้าถูกน้ำหรืออยู่ในสภาพเปียกชื้น น้ำที่ไหลเข้าไปในเครื่องมือไฟฟ้าจะเพิ่มความเสี่ยงของการเกิดไฟฟ้าช็อต
4. อย่าใช้สายไฟอย่างไม่เหมาะสม อย่าใช้สายไฟเพื่อยก ดึง หรือถอดปลั๊กเครื่องมือไฟฟ้า เก็บสายไฟให้ห่างจากความร้อน น้ำมัน ของมีคม หรือชิ้นส่วนที่เคลื่อนที่ สายที่ชำรุดหรือพันกันจะเพิ่มความเสี่ยงของการเกิดไฟฟ้าช็อต
5. ขณะที่ใช้งานเครื่องมือไฟฟ้านอกอาคาร ควรใช้สายต่อพ่วงที่เหมาะสมกับงานภายนอกอาคาร การใช้สายที่เหมาะสมกับงานภายนอกอาคารจะลดความเสี่ยงของการเกิดไฟฟ้าช็อต
6. หากต้องใช้งานเครื่องมือไฟฟ้าในสถานที่เปียกชื้น ให้ใช้อุปกรณ์ป้องกันกระแสไฟรั่ว (RCD) การใช้ RCD จะลดความเสี่ยงของการเกิดไฟฟ้าช็อต
7. เครื่องมือไฟฟ้าอาจสร้างสนามแม่เหล็ก (EMF) ที่ไม่เป็นอันตรายต่อผู้ใช้ อย่างไรก็ตาม ผู้ใช้ที่ใส่เครื่องกระตุ้นหัวใจและอุปกรณ์ทางการแพทย์ที่คล้ายกันนี้ ควรติดต่อผู้ผลิตอุปกรณ์และ/หรือแพทย์เพื่อรับคำแนะนำก่อนใช้งานเครื่องมือไฟฟ้า

ความปลอดภัยส่วนบุคคล

1. ให้ระมัดระวังและมีสติอยู่เสมอขณะใช้งานเครื่องมือไฟฟ้า อย่าใช้งานเครื่องมือไฟฟ้าในขณะที่คุณกำลังเหนื่อย หรือในสภาพที่มีเมฆจากยาเสพติด เครื่องดื่ม แอลกอฮอล์ หรือการเข้ายา ชั่วขณะที่ขาดความระมัดระวังเมื่อกำลังใช้งานเครื่องมือไฟฟ้าอาจทำให้ได้รับบาดเจ็บร้ายแรง
2. ใช้อุปกรณ์ป้องกันส่วนบุคคล สวมแว่นตาป้องกันเสมอ อุปกรณ์ป้องกัน เช่น หน้ากากกันฝุ่น รองเท้านิรภัย กันลื่น หมวกนิรภัย หรือเครื่องป้องกันการได้ยินที่ใช้ในสภาพที่เหมาะสมจะช่วยลดการบาดเจ็บ
3. ป้องกันไม่ให้เกิดการเปิดใช้งานโดยไม่ตั้งใจ ตรวจสอบให้แน่ใจว่าสวิตช์ปิดอยู่ก่อนที่จะเชื่อมต่อกับแหล่งจ่ายไฟ และ/หรือชุดแบตเตอรี่ รวมทั้งตรวจสอบก่อนการยกหรือเคลื่อนย้ายเครื่องมือ การถอดนิ้วมือบริเวณสวิตช์เพื่อถ่วงเครื่องมือไฟฟ้า หรือการชาร์จไฟเครื่องมือไฟฟ้าในขณะที่เปิดสวิตช์อยู่อาจนำไปสู่การเกิดอุบัติเหตุ
4. นำกุญแจปรับตั้งหรือประแจออกก่อนที่จะเปิดเครื่องมือไฟฟ้า ประแจหรือกุญแจที่เสียบค้างอยู่ในชิ้นส่วนที่หมุนได้ของเครื่องมือไฟฟ้าอาจทำให้ได้รับบาดเจ็บ
5. อย่าทำงานในระบะที่สุดอ้อม จัดท่าการยืนและการทรงตัวให้เหมาะสมตลอดเวลา เพราะจะทำให้ควบคุมเครื่องมือไฟฟ้าได้ดีขึ้นในสถานการณ์ที่ไม่คาดคิด
6. แต่งกายให้เหมาะสม อย่าสวมเครื่องแต่งกายที่หลวมเกินไป หรือสวมเครื่องประดับ ดูแลไม่ให้เส้นผมและเสื้อผ้าอยู่ใกล้ชิ้นส่วนที่เคลื่อนที่ เสื้อผ้ารุ่มร่าม เครื่องประดับ หรือผมที่มีความยาวอาจเข้าไปติดในชิ้นส่วนที่เคลื่อนที่
7. หากมีการจัดอุปกรณ์สำหรับดูดและจับฝุ่นไว้ในสถานที่ ให้ตรวจสอบว่าได้เชื่อมต่อและใช้งานอุปกรณ์นั้นอย่างเหมาะสม การใช้เครื่องดูดและจับฝุ่นจะช่วยลดอันตรายที่เกิดจากฝุ่นผงได้
8. อย่าให้ความดันเคຍจากการใช้งานเครื่องมือเป็นประจำทำให้คุณทำตัวตามสบายและละเลยหลักการเพื่อความปลอดภัยในการใช้เครื่องมือ การกระทำที่ไม่ระมัดระวังอาจทำให้เกิดการบาดเจ็บร้ายแรงภายในเสี้ยววินาที
9. สวมใส่แว่นครอบตานิรภัยเพื่อปกป้องดวงตาของคุณจากการบาดเจ็บเมื่อใช้เครื่องมือไฟฟ้า แว่นครอบตาจะต้องได้มาตรฐาน ANSI Z87.1 ในสหรัฐอเมริกา, EN 166 ในยุโรป หรือ AS/NZS 1336 ในออสเตรเลีย/นิวซีแลนด์ ในออสเตรเลีย/นิวซีแลนด์ จะต้องสวมเกราะป้องกันใบหน้าเพื่อปกป้องใบหน้าของคุณอย่างถูกต้องตามกฎหมายด้วย



ผู้ว่าจ้างมีหน้าที่รับผิดชอบในการบังคับผู้ใช้งานเครื่องมือและบุคคลอื่นๆ ที่อยู่ในบริเวณที่ปฏิบัติงานให้ใช้อุปกรณ์ป้องกันที่เหมาะสม

การใช้และดูแลเครื่องมือไฟฟ้า

1. อย่าฝืนใช้เครื่องมือไฟฟ้า ใช้เครื่องมือไฟฟ้าที่เหมาะสมกับการใช้งานของคุณ เครื่องมือไฟฟ้าที่เหมาะสมจะทำให้ได้งานที่มีประสิทธิภาพและปลอดภัยกว่าตามขีดความสามารถของเครื่องที่ได้รับการออกแบบมา
2. อย่าใช้เครื่องมือไฟฟ้า หากสวิตช์ไม่สามารถเปิดปิดได้ เครื่องมือไฟฟ้าที่ควบคุมด้วยสวิตช์ไม่ได้เป็นสิ่งอันตรายและต้องได้รับการซ่อมแซม
3. ถอดปลั๊กจากแหล่งจ่ายไฟ และ/หรือชุดแบตเตอรี่ออกจากเครื่องมือไฟฟ้าก่อนทำการปรับตั้ง เปลี่ยนอุปกรณ์เสริม หรือจัดเก็บเครื่องมือไฟฟ้า วิธีการป้องกันด้านความปลอดภัยดังกล่าวจะช่วยลดความเสี่ยงในการเปิดใช้งานเครื่องมือไฟฟ้าโดยไม่ตั้งใจ
4. จัดเก็บเครื่องมือไฟฟ้าที่ไม่ได้ใช้งานให้ห่างจากมือเด็ก และอย่าอนุญาตให้บุคคลที่ไม่คุ้นเคยกับเครื่องมือไฟฟ้าหรือคำแนะนำเหล่านี้ใช้งานเครื่องมือไฟฟ้า เครื่องมือไฟฟ้าจะเป็นอันตรายเมื่ออยู่ในมือของผู้ที่ไม่ได้รับการฝึกอบรม
5. บำรุงรักษาเครื่องมือไฟฟ้าและอุปกรณ์เสริม ตรวจสอบการประกอบที่ไม่ถูกต้องหรือการเชื่อมต่อของชิ้นส่วนที่เคลื่อนที่ การแตกหักของชิ้นส่วน หรือสภาพอื่นๆ ที่อาจส่งผลกระทบต่อการทำงานของเครื่องมือไฟฟ้า หากมีความเสียหาย ให้นำเครื่องมือไฟฟ้าไปซ่อมแซมก่อนการใช้งาน อุบัติเหตุจำนวนมากเกิดจากการดูแลรักษาเครื่องมือไฟฟ้าอย่างไม่ถูกต้อง
6. ทำความสะอาดเครื่องมือตัดและลับให้คมอยู่เสมอ เครื่องมือการตัดที่มีการดูแลอย่างถูกต้องและมีขอบการตัดคมมักจะมีปัญหาตัดชิ้นน้อยและควบคุมได้ง่ายกว่า

- ใช้เครื่องมือไฟฟ้า อุปกรณ์เสริม และวัสดุสิ้นเปลือง ฯลฯ ตามคำแนะนำดังกล่าว พิจารณาสภาพการทำงานและงานที่จะลงมือทำ การใช้เครื่องมือไฟฟ้าเพื่อทำงานอื่นนอกเหนือจากที่กำหนดไว้อาจทำให้เกิดอันตราย
- ดูแลมือจับและบริเวณมือจับให้แห้ง สะอาด และไม่มีน้ำมันและจาระบีเปื้อน มือจับและบริเวณมือจับที่ลื่นจะทำให้ไม่สามารถจับและควบคุมเครื่องมือได้อย่างปลอดภัยในสถานการณ์ที่ไม่คาดคิด
- ขณะใช้งานเครื่องมือ อย่าสวมใส่ถุงมือผ้าที่อาจเข้าไปติดในเครื่องมือได้ หากถุงมือผ้าเข้าไปติดในชิ้นส่วนที่กำลังเคลื่อนที่อยู่อาจทำให้ได้รับบาดเจ็บ

การใช้งานและดูแลเครื่องมือที่ใช้แบตเตอรี่

- ชาร์จไฟใหม่ด้วยเครื่องชาร์จที่ระบุโดยผู้ผลิตเท่านั้น เครื่องชาร์จที่เหมาะสมสำหรับชุดแบตเตอรี่ประเภทหนึ่งอาจเสี่ยงที่จะเกิดไฟไหม้หากนำไปใช้กับชุดแบตเตอรี่อีกประเภทหนึ่ง
- ใช้เครื่องมือไฟฟ้ากับชุดแบตเตอรี่ที่กำหนดมาโดยเฉพาะเท่านั้น การใช้ชุดแบตเตอรี่ประเภทอื่นอาจทำให้เสี่ยงที่จะได้รับบาดเจ็บและเกิดไฟไหม้
- เมื่อไม่ใช้งานชุดแบตเตอรี่ ให้เก็บห่างจากวัตถุที่เป็นโลหะอื่นๆ เช่น คลิปหนีบกระดาษ เหรียญ กุญแจ กรรไกรตัดเล็บ สกรู หรือวัตถุที่เป็นโลหะขนาดเล็กอื่นๆ ที่สามารถเชื่อมต่อชั่วคราวกับอีกขั้วหนึ่งได้ การลัดวงจรขั้วแบตเตอรี่อาจทำให้ร้อนจัดหรือเกิดไฟไหม้
- ในกรณีที่ใช้งานไม่ถูกต้อง อาจมีของเหลวไหลออกจากแบตเตอรี่ ให้หลีกเลี่ยงการสัมผัส หากสัมผัสโดนของเหลวโดยไม่ได้ตั้งใจ ให้ล้างออกด้วยน้ำ หากของเหลวกระเด็นเข้าตา ให้รีบไปพบแพทย์ ของเหลวที่ไหลออกจากแบตเตอรี่อาจทำให้ผิวหนังระคายเคืองหรือไหม้
- ห้ามใช้ชุดแบตเตอรี่หรือเครื่องมือที่ชำรุดหรือมีการแก้ไข แบตเตอรี่ที่เสียหายหรือมีการแก้ไขอาจทำให้เกิดสิ่งที่ไม่ถึงได้ เช่น ไฟไหม้ ระเบิด หรือเสี่ยงต่อการบาดเจ็บ
- ห้ามให้ชุดแบตเตอรี่อยู่ใกล้ไฟ หรือบริเวณที่มีอุณหภูมิสูงเกิน หากโดนไฟ หรืออุณหภูมิสูงเกิน 130 °C อาจก่อให้เกิดการระเบิดได้
- กรุณาปฏิบัติตามคำแนะนำสำหรับการชาร์จไฟ และห้ามชาร์จแบตเตอรี่หรือเครื่องมือในบริเวณที่มีอุณหภูมิภายนอกเหนือไปจากที่ระบุในคำแนะนำ การชาร์จไฟที่ไม่เหมาะสม หรืออุณหภูมิภายนอกเหนือไปจากช่วงอุณหภูมิที่ระบุในคำแนะนำอาจทำให้แบตเตอรี่เสียหายและเป็นการเพิ่มความเสี่ยงในการเกิดไฟไหม้

การซ่อมบำรุง

- นำเครื่องมือไฟฟ้าเข้ารับบริการจากช่างซ่อมที่ผ่านการรับรองโดยช่างผู้เชี่ยวชาญเท่านั้น เพราะจะทำให้การใช้เครื่องมือไฟฟ้ามีความปลอดภัย
- ห้ามใช้ชุดแบตเตอรี่ที่เสียหาย ชุดแบตเตอรี่ที่ชำรุดเป็นชุดที่มาจากผู้ผลิต หรือผู้ให้บริการที่ได้รับอนุญาตเท่านั้น
- ปฏิบัติตามคำแนะนำในการหล่อลื่นและการเปลี่ยนอุปกรณ์เสริม

คำเตือนด้านความปลอดภัยของเครื่องตัด

- ให้ตัวเองและผู้ที่อยู่ข้างเคียงอยู่ห่างจากบริเวณที่ลื้อหมุน ที่ป้องกันจะช่วยป้องกันผู้ปฏิบัติงานจากเศษลื้อแตกและการสัมผัสกับลื้อโดยไม่ตั้งใจ
- ใช้ลูกลื้อตัดเพชรเสริมที่ติดกับกับเครื่องมือไฟฟ้าของคุณเท่านั้น การที่อุปกรณ์เสริมต่างๆ สามารถติดตั้งเข้ากับเครื่องมือไฟฟ้าของคุณได้นั้นไม่ได้เป็นการรับประกันว่าจะสามารถใช้งานร่วมกับอุปกรณ์ดังกล่าวได้อย่างปลอดภัย
- อัตราความเร็วของอุปกรณ์เสริมนั้นอย่างน้อยต้องเท่ากับความเร็วสูงสุดที่ระบุไว้ในเครื่องมือไฟฟ้านี้ อุปกรณ์เสริมที่ทำงานด้วยความเร็วกว่าอัตราความเร็วของตนเองจะแตกหักหรือกระเด็นออกมาได้
- ต้องใช้งานลื้อในลักษณะการใช้งานที่แนะนำเท่านั้น ตัวอย่างเช่น อย่าขัดด้วยด้านข้างของลูกลื้อตัด ลูกลื้อตัดแบบขัดใช้เพื่อขัดขอบวง แรงด้านข้างที่กระทำต่อลูกลื้อเหล่านี้อาจทำให้ลูกลื้อแตกและเด้งได้
- ใช้แต่แกนลื้อที่ไม่เสียหายและมีเส้นผ่านศูนย์กลางตรงกับลูกลื้อที่ใช้เท่านั้น แกนลื้อที่ถูกต้องจะรองรับลูกลื้อได้อย่างมีประสิทธิภาพจึงสามารถลดโอกาสในการเสียหายของลูกลื้อได้
- เส้นผ่านศูนย์กลางภายนอกและความหนาของอุปกรณ์เสริมของคุณจะต้องอยู่ในอัตราความสามารถของเครื่องมือไฟฟ้าของคุณ อุปกรณ์เสริมที่มีขนาดไม่เหมาะสมจะไม่สามารถควบคุมหรือป้องกันได้อย่างมีประสิทธิภาพ
- ขนาดแกนของลูกลื้อและแกนต้องสามารถติดตั้งเข้ากับเพลลาของเครื่องมือไฟฟ้าได้แน่นพอดี ลูกลื้อและแกนพร้อมด้วยของใส่แกนที่มีขนาดไม่พอดีที่จะติดตั้งอุปกรณ์ของเครื่องมือไฟฟ้าจะไม่สามารถทำงานได้อย่างสมดุล มีอาการสั่นมากเกินไป และอาจทำให้ไม่สามารถควบคุมได้

8. ห้ามใช้ลูกล้อที่เสียหาย ก่อนการใช้งานทุกครั้ง โปรดตรวจสอบร่องรอยความเสียหายของลูกล้อ หากลูกล้อหรือเครื่องมือไฟฟ้าตกลงพื้น ให้ตรวจสอบความเสียหายและติดตั้งลูกล้อที่ไม่มี ความเสียหาย หลังจากการตรวจสอบและการติดตั้งลูกล้อ ให้ตัวคุณเองและผู้อยู่ใกล้เคียงอยู่ห่างจากบริเวณที่ลูกล้อหมุนและเปิดเครื่องมือไฟฟ้าที่ความเร็วหมุนเปล่าสูงสุดเป็นเวลาหนึ่งนาที โดยปกติแล้ว ล้อที่เสียหายจะแตกออกในระหว่างเวลาการทดสอบนี้
9. สวมอุปกรณ์ป้องกันส่วนบุคคล ขึ้นอยู่กับรูปแบบการใช้งานของคุณ ให้ใช้หมวก หน้าที่การนิรภัยหรือแว่นนิรภัย สวมหมวกกันน็อกที่ป้องกันเสียง ดึงมือและผ้ากันเปื้อนที่สามารถป้องกันการกระเด็นของชิ้นงานได้ตามความเหมาะสม อุปกรณ์ป้องกันดวงตาจะต้องสามารถป้องกันฝุ่นหรือสิ่งสกปรกที่กระเด็นจากการทำงานได้ หน้าที่การป้องกันฝุ่นหรือที่ช่วยหายใจจะต้องสามารถกรองอนุภาคที่เกิดจากการทำงานของคุณได้ การฟังเสียงดังมาก ๆ เป็นเวลานาน อาจทำให้ระบบการได้ยินเสียหายได้
10. โปรดกันไม่ให้ผู้ไม่เกี่ยวข้องอยู่ห่างจากบริเวณที่ปฏิบัติงานในขณะปลดอภัย ผู้ที่เข้าพื้นที่ปฏิบัติงานจะต้องสวมอุปกรณ์ป้องกันส่วนบุคคล เศษชิ้นงานหรือลูกล้อที่แตกหักอาจจะกระเด็นและก่อให้เกิดอาการบาดเจ็บในสถานที่รอบๆ บริเวณปฏิบัติงานได้
11. โปรดทำความสะอาดระบายอากาศของเครื่องมือไฟฟ้าอย่างสม่ำเสมอ พัดลมของมอเตอร์สามารถดูดฝุ่นเข้าไปในตัวเครื่องและการมีผงโลหะในตัวเครื่องมากเกินไปอาจทำให้เกิดอันตรายจากกระแสไฟฟ้าได้
12. อย่าใช้เครื่องมือไฟฟ้าใกล้ๆ วัสดุที่ติดไฟได้ อย่าใช้งานเครื่องมือไฟฟ้าขณะที่วางอยู่บนพื้นผิวที่ติดไฟได้ง่าย เช่น ไม้ เนื่องจากประกายไฟอาจทำให้วัสดุดังกล่าวติดไฟ
13. อย่าใช้อุปกรณ์เสริมที่ต้องใช้ของเหลวเพื่อระบายความร้อน การใช้น้ำหรือของเหลวเพื่อระบายความร้อนอื่นๆ อาจทำให้เกิดไฟฟ้าดูดได้

คำเตือนเกี่ยวกับการติดกลับและสิ่งที่เกี่ยวข้อง

การติดกลับคือปฏิกิริยาตอบสนองฉับพลันต่อลูกล้อที่กำลังหมุนแล้วสะดุดหรือติดขัด การสะดุดหรือการติดขัดจะทำให้ล้อที่กำลังหมุนปัดหัวลงอย่างรวดเร็วซึ่งเป็นสาเหตุให้เครื่องตัดที่ไม่สามารถควบคุมได้เกิดและสะท้อนกลับโดยติดตั้งใส่ผู้ปฏิบัติงาน ตัวอย่างเช่น หากลูกล้อขัดนั้นสะดุดหรือติดขัดกับชิ้นงานขอบของลูกล้อที่เข้าไปยังจุดติดขัดจะเฉาะเข้าไปยังพื้นผิวของวัสดุและทำให้ลูกล้อติดตัวขึ้นมา ในกรณีดังกล่าว ลูกล้อขัดอาจจะแตกหักได้ด้วย

การติดกลับเป็นผลมาจากการใช้เครื่องมือไฟฟ้าผิดจุดประสงค์ และ/หรือ การใช้ผิดวิธี และสามารถป้องกันได้โดยใช้วิธีการป้องกันดังต่อไปนี้

1. จับตามจับเครื่องมือไฟฟ้าให้แน่นและจัดตำแหน่งร่างกายและแขนให้สามารถต้านทานแรงติดกลับได้ ผู้ปฏิบัติงานจะสามารถควบคุมแรงบิดกลับในทิศทางขึ้นได้หากดำเนินการป้องกันอย่างเหมาะสม
2. อย่าให้ร่างกายของคุณอยู่ในระดับเดียวกับลูกล้อที่กำลังหมุน หากเกิดการติดกลับจะทำให้เครื่องตัดตีสขึ้นใส่ผู้ปฏิบัติงาน
3. อย่าติดตั้งใบมีดเลื่อนแบบโซ่ ใบเลื่อยแบบซี่ ลูกล้อเพชรมีร่องโดยช่องว่างรอบวงกว้างกว่า 10 mm หรือใบเลื่อยที่พื้น ใบมีดแบบดังกล่าวมักจะทำให้เกิดการติดกลับและสูญเสียการควบคุม
4. อย่าทำให้ลูกล้อ “ติด” หรือใช้แรงดันมากเกินไป อย่าพยายามทำความสะอาดโดยการตัดมากเกินไป การกัดคนลูกล้อมากเกินไปจะเป็นการเพิ่มการโหลดและความไวที่ลูกล้อจะเกิดการบิดหรือการติดขัดระหว่างการตัดและความเป็นไปได้ในการติดกลับหรือลูกล้อแตก
5. เมื่อลูกล้อติดขัดหรือรบกวนการตัดด้วยเหตุใดๆ ก็ตาม ให้ปิดเครื่องมือไฟฟ้าและถือเครื่องตัดค้างไว้เฉยๆ จนกว่าลูกล้อจะหยุดสนิท ห้ามพยายามถอดลูกล้อออกจากรอยตัดขณะที่ลูกล้อยังเคลื่อนไหว มิฉะนั้นอาจเกิดการติดกลับได้ ตรวจสอบและแก้ไขเพื่อกำจัดสาเหตุที่ทำให้ลูกล้อติดขัด
6. อย่าเริ่มการตัดชิ้นใหม่โดยที่เครื่องมือคายอยู่ในชิ้นงาน ให้ลูกล้อทาคาความเร็วสูงสุดแล้วจึงสอดเข้าไปในรอยตัดอีกครั้งอย่างระมัดระวัง ลูกล้ออาจติดขัด ดึงหรือติดกลับได้หากเริ่มใช้เครื่องมือไฟฟ้าระหว่างที่ยังคายอยู่ในชิ้นงาน
7. รองรับชิ้นงานขนาดใหญ่ต่างๆ เพื่อลดความเสี่ยงในการที่ลูกล้อจะบีบแน่นและติดกลับ ชิ้นงานที่มีขนาดใหญ่มีแนวโน้มที่จะแอ่นลงเนื่องจากน้ำหนักของแผ่นเอง ควรวางที่รองรับไว้ดีชิ้นงานให้ใกล้กับขอบของชิ้นงานทั้งสองด้านของล้อ

คำเตือนด้านความปลอดภัยเพิ่มเติม

1. ระวังประกายไฟกระเด็นขณะทำงาน เนื่องจากอาจทำให้เกิดการบาดเจ็บหรือทำให้วัตถุลุกไหม้ได้
2. ปฏิบัติงานอย่างปลอดภัย ใช้ที่จับหรือคีมจับเพื่อจับชิ้นงานเมื่อสามารถกระทำได้ วิธีการนี้จะปลดอภัยกว่าใช้มือจับชิ้นงาน และจะช่วยให้คุณสามารถใช้ทั้งสองมือเพื่อบังคับเครื่องมือด้วย
3. ยึดล้อตัดด้วยความระมัดระวัง

4. ระวังอย่าทำให้เพลาลมุน แขน (โดยเฉพาะผิวหน้า สำหรับติดตั้ง) หรือสลักเกลียวเสียหาย หรือลื้อตัดอาจแตกหัก
5. ใส่ที่ป้องกันไว้ในตำแหน่งที่ถูกต้องและดูแลให้มีสภาพดีสามารถใช้งานได้ตามปกติ
6. จับตามจับให้แน่น
7. ระวังอย่าให้มือสัมผัสกับชิ้นส่วนที่หมุนได้
8. ตรวจสอบให้แน่ใจว่าลื้อตัดไม่ได้สัมผัสกับชิ้นงานอยู่ก่อนเปิดสวิตช์
9. ก่อนการใช้งานทุกครั้ง โปรดดูการสันสะเทือนหรือโยกโคลงผิดปกติที่อาจแสดงถึงการใส่และการให้สมดุล ลูกล้อที่ไม่ดีพอ
10. กำจัดวัสดุหรือสิ่งสกปรกจากพื้นที่อาจลุกไหม้ด้วยประกายไฟได้ ตรวจสอบว่าสิ่งอื่นๆ ไม่ได้อยู่ในบริเวณที่อาจเกิดประกายไฟ เก็บอุปกรณ์ดับเพลิงที่เหมาะสมและมีน้ำยาบรรจุเต็มไว้ใกล้ๆ
11. หากลื้อตัดหยุดในระหว่างการทำงาน ส่งเสียงแปลกๆ หรือเริ่มสันสะเทือน ให้ปิดสวิตช์เครื่องมือทันที
12. ปิดสวิตช์และรอให้ลื้อตัดหยุดนิ่งสนิทเสมอก่อนนำชิ้นงานออก ยึดชิ้นงาน ใช้ตัวหนีบ เปลี่ยนตำแหน่งหรือมุมการทำงาน หรือเปลี่ยนลื้อตัด
13. ห้ามสัมผัสกับชิ้นงานทันทีที่ทำงานเสร็จ เนื่องจากชิ้นงานมีความร้อนสูงและลวกผิวหนังของคุณได้
14. เก็บลื้อในที่แห้งเท่านั้น

ปฏิบัติตามคำแนะนำเหล่านี้

คำแนะนำเพื่อความปลอดภัยที่สำคัญสำหรับดัลับแบตเตอรี่

1. ก่อนใช้งานดัลับแบตเตอรี่ให้อ่านคำแนะนำและเครื่องหมายเตือนทั้งหมดบน (1) เครื่องชาร์จแบตเตอรี่ (2) แบตเตอรี่ และ (3) ตัวผลิตภัณฑ์ที่ใช้แบตเตอรี่
2. ห้ามถอดแยกส่วนดัลับแบตเตอรี่
3. หากระยะเวลาที่เครื่องทำงานสั้นเกินไป ให้หยุดใช้งานทันที เนื่องจากอาจมีความเสี่ยงที่จะร้อนจัด ใหม้หรือระเบิดได้
4. หากสารละลายอิเล็กโทรไลต์กระเด็นเข้าตา ให้ล้างออกด้วยน้ำเปล่าและรีบไปพบแพทย์ทันที เนื่องจากอาจทำให้ตาบอด

5. ห้ามลัดวงจรดัลับแบตเตอรี่:
 - (1) ห้ามแตะขั้วกับวัตถุที่เป็นสื่อไฟฟ้าใดๆ
 - (2) หลีกเลี่ยงการเก็บดัลับแบตเตอรี่ไว้ในภาชนะร่วมกับวัตถุที่เป็นโลหะ เช่น กรรไกรตัดเล็บ เหรียญ ฯลฯ
 - (3) อย่าให้ดัลับแบตเตอรี่ถูกนำหรือฝนแบตเตอรี่ลัดวงจรอาจทำให้เกิดการไหลของกระแสไฟฟ้า ร้อนจัด ใหม้หรือเสียหายได้
6. ห้ามเก็บเครื่องมือและดัลับแบตเตอรี่ไว้ในสถานที่ที่มีอุณหภูมิสูงถึงหรือเกิน 50 °C
7. ห้ามเผาดัลับแบตเตอรี่ทิ้ง แม้ว่าแบตเตอรี่จะเสียหายจนใช้การไม่ได้หรือเสื่อมสภาพแล้ว ดัลับแบตเตอรี่อาจจะระเบิดในกองไฟ
8. ระวังอย่าทำแบตเตอรี่ตกหล่นหรือกระทบกระแทก
9. ห้ามใช้แบตเตอรี่ที่เสียหาย
10. แบตเตอรี่เทียมอาจมีมาให้เห็นเป็นไปตามข้อกำหนดของ Dangerous Goods Legislation สำหรับการขนส่งเพื่อการพาณิชย์ เช่น โดยบุคคลที่สาม ตัวแทนขนส่งสินค้า จะต้องตรวจสอบข้อกำหนดพิเศษในด้านกรบรรจุหีบห่อหรือการติดป้ายสินค้าในการเตรียมสินค้าที่จะขนส่ง ให้ปรึกษาผู้เชี่ยวชาญด้านวัตถุอันตราย โปรดตรวจสอบข้อกำหนดในประเทศที่อาจมีรายละเอียดอื่นๆ เพิ่มเติม ให้ติดเทปหรือปิดหน้าสัมผัสและห่อแบตเตอรี่ในลักษณะที่แบตเตอรี่จะไม่เคลื่อนที่ไปมาในหีบห่อ
11. ปฏิบัติตามข้อบังคับในท้องถิ่นที่เกี่ยวกับการกำจัดแบตเตอรี่
12. ใช้แบตเตอรี่กับผลิตภัณฑ์ที่ระบุโดย Makita เท่านั้น การติดตั้งแบตเตอรี่ในผลิตภัณฑ์ที่ไม่ใช่ตามที่ระบุอาจทำให้เกิดไฟไหม้ ความร้อนสูง ระเบิด หรืออิเล็กทรอนิกส์รั่วไหลได้

ปฏิบัติตามคำแนะนำเหล่านี้

⚠️ ข้อควรระวัง: ใช้แบตเตอรี่ของแท้จาก Makita เท่านั้น การใช้แบตเตอรี่ Makita ที่ไม่แท้ หรือแบตเตอรี่ที่ถูกเปลี่ยน อาจทำให้แบตเตอรี่ระเบิด ก่อให้เกิดเพลิงลุกไหม้ การบาดเจ็บ และความเสียหายได้ และจะทำให้การรับประกันของ Makita สำหรับเครื่องมือและแท่นชาร์จของ Makita เป็นโมฆะด้วย

เคล็ดลับในการรักษาอายุการใช้งานของแบตเตอรี่ให้ยาวนานที่สุด

1. ชาร์จดัลับแบตเตอรี่ก่อนที่ไฟจะหมด หยุดการใช้งานแล้วชาร์จประจุไฟฟ้าใหม่ทุกครั้งเมื่อคุณรู้สึกว่าคุณปรารถนามีกำลังลดลง

- อย่าชาร์จด์ลับแบตเตอรี่ที่มีไฟเต็มแล้ว การชาร์จด์ประจุไฟมากเกินไปอาจจะทำให้อายุการใช้งานของดัลล์แบตเตอรี่สั้นลง
- ชาร์จด์ประจุไฟที่ดัลล์แบตเตอรี่ในห้องที่มีอุณหภูมิระหว่าง 10 °C - 40 °C ปล่อยให้ดัลล์แบตเตอรี่เย็นลงก่อนที่จะชาร์จด์ไฟ
- ชาร์จด์ไฟดัลล์แบตเตอรี่หากคุณไม่ต้องการใช้เป็นเวลา นาน (เกินกว่าหกเดือน)

การติดตั้ง

คำเตือน: อุปกรณ์นี้ทำให้เกิดประกายไฟขณะติดตั้งงาน อย่าติดตั้งเครื่องมือในที่ที่วัสดุไวไฟและ/หรือวัสดุระเบิดอาจติดไฟขึ้นมาด้วยประกายไฟจากเครื่องมือได้ ให้ตรวจสอบว่าไม่มีวัสดุติดกาวอยู่ใกล้เครื่องมือก่อนเริ่มการทำงานด้วย

การยึดฐาน

เครื่องมือนี้ควรใช้สลักเกลียว 2 ตัวยึดไว้กับพื้นผิวที่เรียบเสมอกันและมั่นคง โดยใช้รูสลักเกลียวที่ให้มาในฐานของเครื่องมือ ซึ่งจะช่วยให้ป้องกันไม่ให้เครื่องมือหอยและเกิดการบาดเจ็บ

- **หมายเลข 1:** 1. รูสลักเกลียว 2. ฐาน

คำอธิบายการทำงาน

คำเตือน: ตรวจสอบให้แน่ใจว่าได้ปิดสวิตช์เครื่องมือและถอดดัลล์แบตเตอรี่ออกก่อนปรับตั้งหรือตรวจสอบการทำงานของเครื่องมือ การไม่ปิดเครื่องมือและถอดดัลล์แบตเตอรี่ออกอาจจะเป็นสาเหตุของการบาดเจ็บเนื่องจากการเริ่มทำงานโดยบังเอิญได้

การปลดล๊อค/การล๊อคหัวเครื่องมือ

หัวเครื่องมือสามารถล๊อคได้ ล๊อคหัวเครื่องมือเสมอเมื่อไม่ใช้งานหรือเมื่อขนย้าย

หากต้องการปลดล๊อค ให้กดหัวเครื่องมือเล็กน้อยและดันเข็มล๊อค หากต้องการล๊อค ให้ดึงเข็มล๊อคคืนขณะกดหัวเครื่องมือลง

- **หมายเลข 2:** 1. เข็มล๊อค

การใส่หรือการถอดดัลล์แบตเตอรี่

คำเตือน: ปิดสวิตช์เครื่องมือก่อนทำการติดตั้งหรือการถอดดัลล์แบตเตอรี่ทุกครั้ง

คำเตือน: ถอดเครื่องมือและดัลล์แบตเตอรี่ให้แน่นในระหว่างการติดตั้งหรือการถอดดัลล์แบตเตอรี่ หากไม่ถอดเครื่องมือและดัลล์แบตเตอรี่ให้แน่น อาจทำให้ดัลล์แบตเตอรี่และเครื่องมือสั้นหลุดมือ และทำให้เครื่องมือและดัลล์แบตเตอรี่เสียหายหรือได้รับบาดเจ็บได้

- **หมายเลข 3:** 1. ไฟแสดงสถานะสีแดง 2. ปุ่ม 3. ดัลล์แบตเตอรี่

เมื่อต้องการถอดดัลล์แบตเตอรี่ ให้เลื่อนปุ่มที่ด้านหน้าของดัลล์แล้วดึงออกจากเครื่องมือ

เมื่อต้องการติดตั้งดัลล์แบตเตอรี่ ให้จัดแนวสันบนดัลล์แบตเตอรี่ให้ตรงกับร่องบนตัวเครื่องมือ แล้วเลื่อนดัลล์แบตเตอรี่เข้าที่ ติดดัลล์แบตเตอรี่เข้าจนสุดจนกระทั่งได้ยินเสียงคลิกล๊อคเข้าที่ หากยังเห็นส่วนสีแดงที่ด้านบนของปุ่ม แสดงว่าดัลล์แบตเตอรี่ยังไม่ล๊อคเข้าที่

คำเตือน: ให้ดันดัลล์แบตเตอรี่เข้าจนสุดจนไม่เห็นส่วนสีแดงอีก ไม่เช่นนั้น ดัลล์แบตเตอรี่อาจหลุดออกจากเครื่องมือทำให้คุณหรือคนรอบข้างได้รับบาดเจ็บ

คำเตือน: อย่าฝืนติดตั้งดัลล์แบตเตอรี่โดยใช้แรงมากเกินไป หากดัลล์แบตเตอรี่ไม่เลื่อนเข้าไปโดยง่าย แสดงว่าใส่ไม่ถูกต้อง

หมายเหตุ: เครื่องมือจะไม่ทำงานเมื่อใช้ดัลล์แบตเตอรี่เพียงก้อนเดียว

ระบบป้องกันเครื่องมือ/แบตเตอรี่


เครื่องมือมีระบบป้องกันเครื่องมือ/แบตเตอรี่ ระบบนี้จะตัดไฟที่ส่งไปยังมอเตอร์โดยอัตโนมัติเพื่อยืดอายุการใช้งานเครื่องมือและแบตเตอรี่ เครื่องมือจะหยุดทำงานระหว่างการใช้งานโดยอัตโนมัติ หากเครื่องมือหรือแบตเตอรี่อยู่ภายใต้สถานการณ์ต่อไปนี้ ในบางกรณี ไฟแสดงสถานะจะติดขึ้น

การป้องกันโอเวอร์โหลด

เมื่อแบตเตอรี่ทำงานในลักษณะที่ทำให้ต้องใช้กระแสไฟฟ้าสูงเกินไป เครื่องมือจะหยุดโดยอัตโนมัติ ในกรณีนี้ ให้ปิดเครื่องมือและหยุดการใช้งานในลักษณะที่อาจทำให้เครื่องมือทำงานหนักเกินไป แล้วเปิดเครื่องมือเพื่อเริ่มทำงานอีกครั้ง


การป้องกันความร้อนสูงเกิน

เมื่อเครื่องมือมีความร้อนสูงเกินไป เครื่องมือจะหยุดทำงานโดยอัตโนมัติและไฟแสดงสถานะแบตเตอรี่จะกะพริบประมาณ 60 วินาที ในกรณีนี้ ปล่อยให้เครื่องมือเย็นลงก่อนที่จะเปิดเครื่องมืออีกครั้ง

<input checked="" type="checkbox"/> สว่าง	<input checked="" type="checkbox"/> กะพริบ
	

การป้องกันไฟหมด


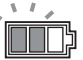
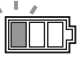

เมื่อความจุแบตเตอรี่เหลือน้อย เครื่องมือจะหยุดทำงานโดยอัตโนมัติ และไฟแสดงสถานะแบตเตอรี่ของดัลล์แบตเตอรี่ทั้งหมดจะกะพริบ หากผลิตภัณฑ์ไม่ทำงานแม้ว่าจะเปิดสวิตช์แล้ว ให้นำดัลล์แบตเตอรี่ทั้งหมดออกจากเครื่องมือและนำไปชาร์จ

<input checked="" type="checkbox"/> กะพริบ	<input type="checkbox"/> ดับ
	

การระบุระดับพลังงานแบตเตอรี่ที่เหลืออยู่

▶ **หมายเลข 4:** 1. ไฟแสดงสถานะแบตเตอรี่ 2. ปุ่มตรวจสอบ

กดปุ่ม ตรวจสอบ เพื่อดูปริมาณแบตเตอรี่ที่เหลือ ไฟแสดงสถานะแบตเตอรี่จะตรงตามแบตเตอรี่แต่ละลูก






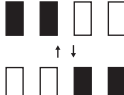
สถานะของไฟแสดงสถานะแบตเตอรี่			ความจุแบตเตอรี่ที่เหลืออยู่
<input checked="" type="checkbox"/> สว่าง	<input type="checkbox"/> ดับ	<input checked="" type="checkbox"/> กะพริบ	
			50% ถึง 100%
			20% ถึง 50%
			0% ถึง 20%
			ชาร์จแบตเตอรี่

การระบุระดับพลังงานแบตเตอรี่ที่เหลืออยู่

สำหรับดัลล์แบตเตอรี่ที่มีตัวแสดงสถานะเท่านั้น

▶ **หมายเลข 5:** 1. ไฟแสดงสถานะ 2. ปุ่มตรวจสอบ

กดปุ่ม ตรวจสอบ บนดัลล์แบตเตอรี่เพื่อดูปริมาณแบตเตอรี่ที่เหลือ ไฟแสดงสถานะจะสว่างขึ้นเป็นเวลาสองสามวินาที

ไฟแสดงสถานะ			แบตเตอรี่ที่เหลือ
<input checked="" type="checkbox"/> ไฟสว่าง	<input type="checkbox"/> ดับ	<input checked="" type="checkbox"/> กะพริบ	
			75% ถึง 100%
			50% ถึง 75%
			25% ถึง 50%
			0% ถึง 25%
			ชาร์จไฟแบตเตอรี่
			แบตเตอรี่อาจจะเสีย

หมายเหตุ: ขึ้นอยู่กับสภาพการใช้งานและอุณหภูมิ โดยรอบ การแสดงสถานะอาจจะแตกต่างจากปริมาณแบตเตอรี่จริงเล็กน้อย

การทำงานของสวิตช์

คำเตือน: ก่อนใส่ดัลล์แบตเตอรี่ลงในเครื่องมือ ให้ตรวจสอบว่าสวิตช์สั่งงานสามารถทำงานได้อย่างถูกต้อง และกลับไปยังตำแหน่ง "ปิด" เมื่อปล่อย

▶ **หมายเลข 6:** 1. ปุ่มปลดล๊อค 2. สวิตช์สั่งงาน

เพื่อป้องกันไม่ให้อุปกรณ์สั่งงานถูกตั้งโดยไม่ตั้งใจจึงมีปุ่มปลดล๊อคติดตั้งไว้ เพื่อเริ่มใช้งานเครื่องมือ กดปุ่มปลดล๊อคแล้วตั้งสวิตช์สั่งงาน ปล่อยให้สวิตช์สั่งงานเพื่อหยุดทำงาน

⚠ คำเตือน: ห้ามทำลายปุ่มปลดล็อคโดยใช้เทปพันหรือวิธีอื่น สวิตช์ที่ปุ่มปลดล็อคใช้ไม่ได้ อาจทำให้เกิดการใช้งานโดยไม่ตั้งใจและทำให้เกิดการบาดเจ็บร้ายแรงได้

⚠ คำเตือน: ห้ามใช้เครื่องมือหากเครื่องมือสามารถทำงานได้เมื่อคุณดึงสวิตช์สั่งงานโดยไม่ได้กดปุ่มปลดล็อค สวิตช์ที่ต้องทำการซ่อมแซมอาจทำให้เกิดการใช้งานโดยไม่ตั้งใจและทำให้เกิดการบาดเจ็บร้ายแรงได้ นำเครื่องมือส่งศูนย์บริการ Makita เพื่อการซ่อมแซมก่อนการใช้งาน

ข้อสังเกต: อย่าดึงสวิตช์สั่งงานแรงๆ โดยไม่ได้กดปุ่มปลดล็อค การทำเช่นนี้อาจทำให้สวิตช์เสียหายได้

ไฟแสดงสถานะภาระงาน

ไฟแสดงสถานะภาระงานจะแสดงระดับของภาระงานของมอเตอร์ในระหว่างการตัด เมื่อภาระงานของมอเตอร์เพิ่มขึ้น จำนวนดวงไฟที่สว่างจะเพิ่มขึ้น

▶ **หมายเลข 7:** 1. ไฟแสดงสถานะภาระงาน

การแจ้งเตือนเครื่องทำงานหนักเกินไป

หากมอเตอร์ทำงานหนักเกินไป ดวงไฟแสดงสถานะภาระงานทั้งหมดจะกะพริบ ในกรณีนี้ให้ลดภาระงานของมอเตอร์ หากคุณยังปล่อยให้มอเตอร์ทำงานหนักโดยที่ไฟแสดงสถานะภาระงานกะพริบอยู่ เครื่องมือจะหยุดทำงานโดยอัตโนมัติภายใน 2-3 วินาที เพื่อป้องกันการทำงานหนักเกินไป

หมายเหตุ: ทันทีที่มีภาระงานที่หนักเกินไปเกิดขึ้น เครื่องมือจะหยุดทำงานโดยอัตโนมัติโดยที่ไฟแสดงสถานะภาระงานจะไม่กะพริบ

ระยะห่างระหว่างตัวหนีบและแผ่นนำทาง

⚠ ข้อควรระวัง: หลังจากปรับช่วงระยะห่างระหว่างตัวหนีบและแผ่นนำทางแล้ว ให้ตรวจสอบว่ายึดแผ่นนำทางไว้แน่นแล้ว การยึดที่ไม่แน่นพออาจทำให้ได้รับบาดเจ็บได้

ตัวหนีบมีการตั้งค่าระยะห่างดังต่อไปนี้

- 0 - 170 mm (การตั้งค่าทั่วไป)
- 35 - 205 mm
- 70 - 240 mm

ถ้างานของคุณต้องใช้การตั้งค่าที่ต่างออกไป ให้ปรับติดตั้งนี้เพื่อเปลี่ยนขนาดช่องว่างหรือระยะห่าง

คลายสกรูบนแผ่นนำทาง ชยับแผ่นนำทางไปที่ตำแหน่งที่ต้องการแล้วจึงขันสกรู

▶ **หมายเลข 8:** 1. สกรู 2. แผ่นนำทาง

การปรับองศาการตัด

⚠ ข้อควรระวัง: หลังจากปรับองศาของแผ่นนำทางแล้ว ให้ตรวจสอบว่ายึดแผ่นนำทางไว้อย่างเหมาะสมแล้ว การยึดที่ไม่แน่นพออาจทำให้ได้รับบาดเจ็บได้

⚠ ข้อควรระวัง: อย่าใช้งานเครื่องมือขณะที่ยังไม่ยึดวัสดุให้แน่นด้วยตัวหนีบเนื่องจากองศาการตัดไม่เหมาะสม

หมุนก้านยึดทวนเข็มนาฬิกา ชยับแผ่นนำทางไปที่องศาที่ต้องการแล้วจึงขันสกรูให้แน่น

▶ **หมายเลข 9:** 1. แผ่นนำทาง 2. ก้าน

หมายเหตุ: อัตราส่วนบนบนแผ่นนำทางเป็นการชี้ตำแหน่งอย่างคร่าวๆ เท่านั้น หากต้องการองศาที่แม่นยำยิ่งขึ้น ให้ใช้ไมโปรแทรกเตอร์หรือไม้บรรทัดสามเหลี่ยม ให้มีมือจับอยู่ด้านล่างเพื่อให้ล้อยึดยื่นเข้าไปในฐาน ขณะเดียวกันให้ปรับองศาระหว่างแผ่นนำทางและล้อยึดโดยใช้ไมโปรแทรกเตอร์หรือไม้บรรทัดสามเหลี่ยม

การปรับที่ป้องกันประกายไฟ

กำหนดเฉพาะประเทศ

ที่ป้องกันประกายไฟติดตั้งมาจากโรงงานโดยที่ขอบด้านล่างจะสัมผัสกับฐาน การใช้งานเครื่องมือในตำแหน่งนี้จะทำให้ประกายไฟกระเด็นไปรอบๆ คลายสกรูและปรับที่ป้องกันประกายไฟให้อยู่ในตำแหน่งที่จะมีประกายไฟกระเด็นน้อยที่สุด

▶ **หมายเลข 10:** 1. สกรู 2. ที่ป้องกันประกายไฟ

ฟังก์ชันอิเล็กทรอนิกส์

เครื่องมือนี้มีฟังก์ชันระบบไฟฟ้าซึ่งทำให้ใช้งานได้ง่ายด้วยคุณสมบัติดังต่อไปนี้

คุณสมบัติซอฟต์แวร์

ซอฟต์แวร์ที่มีไว้สำหรับป้องกันการสะเทือนในการสแตร์ท

การประกอบ

⚠ คำเตือน: ตรวจสอบให้แน่ใจว่าได้ปิดสวิตช์เครื่องมือและถอดคัลลิบเบตเตอร์ออกก่อนใช้งานเครื่องมือ การไม่ปิดเครื่องมือและถอดคัลลิบเบตเตอร์ออกอาจจะเป็นสาเหตุของการบาดเจ็บร้ายแรงได้

การเปิดที่ป้องกันประเภทฝากลาง

กำหนดเฉพาะประเทศ

สำหรับเครื่องมือที่ติดตั้งที่ป้องกันประเภทฝากลางมาแล้ว ให้คลายสกรูกันคลายก่อนแล้วจึงยกที่ป้องกันขึ้น

- ▶ หมายเลข 11: 1. สกรูกันคลาย

ที่ป้องกันประเภทเปิดแบบยุโรป

กำหนดเฉพาะประเทศ

สำหรับเครื่องมือที่ติดตั้งที่ป้องกันแบบยุโรป ให้คลายสกรูกันคลายก่อนแล้วจึงเปิดที่ป้องกันตามที่แสดงในภาพ

- ▶ หมายเลข 12: 1. สกรูกันคลาย
- ▶ หมายเลข 13
- ▶ หมายเลข 14

การถอดหรือการติดตั้งล้อยัด

- ⚠ **ข้อควรระวัง:** ตรวจสอบให้แน่ใจว่าได้ขันตัวยึดที่ไม่มีเครื่องมือแน่นดีแล้ว การขันที่ไม่แน่นพออาจทำให้ได้รับบาดเจ็บสาหัสได้
- ⚠ **ข้อควรระวัง:** ใช้แกนตัวในและแกนตัวนอกที่เหมาะสมซึ่งให้เข้ากับเครื่องมือเท่านั้น
- ⚠ **ข้อควรระวัง:** ลดระดับที่ป้องกันลงเสมอหลังจากเปลี่ยนล้อตัดแล้ว
- ⚠ **ข้อควรระวัง:** ใส่ถุงมือขณะจับลูกล้อ

ยกที่ป้องกัน หมุนตัวหนีบที่ไม่มีเครื่องมือทวนเข็มนาฬิกา ขณะกดที่ล้อยัดก้านลง จากนั้นให้ถอดตัวหนีบที่ไม่มีเครื่องมือ แกนตัวนอก และล้อยัดดอก ขณะถอดล้อยัดดอก อย่าถอดแกนตัวใน แหวน และโอริงออก

- ▶ หมายเลข 15: 1. ล้อยัดก้าน 2. ตัวหนีบที่ไม่มีเครื่องมือ
- ▶ หมายเลข 16: 1. แกนตัวใน 2. แหวน 3. โอริง 4. ล้อยัด 5. แกนตัวนอก 6. ตัวยึดที่ไม่มีเครื่องมือ

เมื่อต้องการจะติดตั้งล้อยัดกลับเข้าที่เดิม ให้ปฏิบัติย้อนขั้นตอนการถอด ตรวจสอบให้รูของล้อยัดพอดีกับแหวนและใส่ที่ป้องกันคืน

การใช้งาน


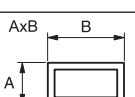
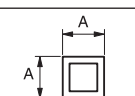

⚠ **ข้อควรระวัง:** สามารถกำหนดแรงกดมือจับที่เหมาะสมระหว่างการตัดและประสิทธิภาพสูงสุดในการตัดได้โดยดูจากปริมาณประกายไฟที่เกิดขึ้นระหว่างการตัด อย่าฝืนตัดด้วยใส่แรงกดที่มือจับมากเกินไปจนเกินไป เนื่องจากอาจทำให้ประสิทธิภาพการตัดลดลง ล้อสึกก่อนเวลาอันควร เครื่องมือ ล้อตัด หรือชิ้นงานอาจเกิดความเสียหายได้

จับมือจับให้แน่น เปิดสวิตช์เครื่องมือและรอจนกระทั่งล้อยัดทำงานด้วยความเร็วสูงสุดก่อนค่อยๆ ลดระดับลงเพื่อทำการตัดซ้ำๆ เมื่อล้อยัดสัมผัสกับชิ้นงาน ให้ประคองมือจับให้มั่นคงเพื่อทำการตัด เมื่อตัดเสร็จ ให้ปิดสวิตช์เครื่องมือและ รอจนกระทั่งล้อยัดหยุดนิ่งสนิท ก่อนยกมือจับกลับไปตำแหน่งยกขึ้นจนสุด

ความสามารถการเลี้ยว

ความสามารถสูงสุดในการตัดจะแตกต่างกันขึ้นอยู่กับองศาการตัดและรูปทรงของชิ้นงาน

ความสามารถในการตัดสูงสุดด้วยล้อยัดใหม่

องศาการตัด/ รูปทรงของชิ้นงาน	90°	45°
	∅ 127 mm	∅ 127 mm
	115 x 130 mm 102 x 194 mm 70 x 233 mm	115 x 103 mm
	119 x 119 mm	106 x 106 mm
	137 x 137 mm	100 x 100 mm

หมายเหตุ: แนะนำให้ตัดชิ้นงานที่บางกว่า 1.6 mm ด้วยเครื่องมือนี้

การยึดชิ้นงาน

▲ ข้อควรระวัง: วางที่ยึดแกนลงบนแกนของก้านขณะยึดชิ้นงานเสมอ หากไม่ทำตามอาจส่งผลให้ชิ้นงานถูกยึดไม่แน่นพอ ซึ่งอาจทำให้ชิ้นงานถูกดีดออก หรือทำให้ล้อตัดแตกหักซึ่งเป็นอันตรายได้

ขณะที่ยึดแกน สามารถขยับแผ่นจับงานเข้าออกได้อย่างรวดเร็ว เมื่อต้องการจับชิ้นงาน ให้กดมือจับจนแผ่นจับงานสัมผัสกับชิ้นงาน แล้วจึงใส่ที่ยึดแกนกลับคืนที่เดิม หมุนมือจับตามเข็มนาฬิกาจนชิ้นงานถูกยึดไว้แน่น

▶ **หมายเลข 17:** 1. ที่จับ 2. ที่ยึดแกน 3. แผ่นจับงาน

เมื่อล้อตัดสึกลงมาก ให้วางบลีคดตัวรองไว้ด้านหลังชิ้นงานตามที่แสดงในภาพ คุณสามารถใช้ล้อที่สึกอย่างมีประสิทธิภาพมากขึ้นได้โดยใช้จุดกึ่งกลางของเส้นรอบวงของล้อในการตัดชิ้นงาน ใช้วัสดุที่แข็งแรงและไม่ติดไฟเป็นบลีคดตัวรอง

▶ **หมายเลข 18:** 1. บลีคดตัวรอง

ขณะตัดชิ้นงานที่มีองค์กว้างกว่า 85 mm ให้ตัดไม้แห้งตรง (ตัวรอง) ที่มีควมยาวมากกว่า 190 mm x ความกว้างมากกว่า 40 mm กับแผ่นนำทางตามที่แสดงในภาพ ติดตัวรองนี้ด้วยสกรูผ่านรูในแผ่นนำทาง ตรวจสอบว่าล้อตัดไม่สัมผัสกับตัวรองเมื่อกดหัวเครื่องมือแล้ว

▶ **หมายเลข 19:** 1. แผ่นนำทาง 2. บลีคดตัวรอง (ยาวกว่า 190 mm x กว้างกว่า 40 mm)
3. ชิ้นงาน (กว้างกว่า 85 mm) 4. แผ่นจับงาน

ข้อสังเกต: เมื่อใช้บลีคดตัวรอง ให้ติดตั้งแผ่นนำทางที่ตำแหน่งที่ใกล้คอของส่วนหัวเครื่องมือที่สุด

▶ **หมายเลข 20**

เมื่อล้อตัดสึกลง ให้ยกตำแหน่งการตัดโดยใส่บลีคดตัวรองที่แคบกว่าชิ้นงานเล็กน้อย ตามที่แสดงในภาพ วิธีนี้จะช่วยให้คุณใช้ล้อตัดได้อย่างประหยัด

▶ **หมายเลข 21:** 1. แผ่นจับงาน 2. เส้นผ่านศูนย์กลางของชิ้นงาน 3. แผ่นนำทาง 4. ความกว้างของบลีคดตัวรอง

ชิ้นงานที่ยาวจะต้องรองด้วยบลีคดทั้งสองด้านเพื่อให้ชิ้นงานเสมอกับด้านบนของฐาน ใช้วัสดุไม่ติดไฟเป็นบลีคดรองรับ

▶ **หมายเลข 22:** 1. บลีคดรองรับ

การยกเครื่องมือ

ก่อนการเคลื่อนย้าย ให้ถอดแบตเตอรี่ออก แล้วพับส่วนหัวเครื่องมือลง จากนั้นให้ล็อกไว้ จับมือจับขณะเคลื่อนย้าย

▶ **หมายเลข 23**

การบำรุงรักษา

▲ ข้อควรระวัง: ตรวจสอบให้แน่ใจว่าได้ปิดสวิตช์เครื่องมือและถอดด้ามแบตเตอรี่ออกก่อนทำการตรวจสอบหรือบำรุงรักษา

ข้อสังเกต: อย่าใช้น้ำมันเชื้อเพลิง เบนซิน ทินเนอร์ แอลกอฮอล์ หรือวัสดุประเภทเดียวกัน เนื่องจากอาจทำให้ลีสีตจาง เสียรูป หรือแตกขาวได้

เพื่อความปลอดภัยและแนะนำเชื้อถือของผลิตภัณฑ์ ควรให้ศูนย์บริการหรือโรงงานที่ผ่านการรับรองจาก Makita เป็นผู้ดำเนินการซ่อมแซม บำรุงรักษาและทำการปรับตั้งอื่นๆ นอกจากนี้ให้ใช้อะไหล่ของแท้จาก Makita เสมอ

อุปกรณ์เสริม

▲ ข้อควรระวัง: ขอแนะนำให้ใช้เฉพาะอุปกรณ์เสริมหรืออุปกรณ์ต่อพ่วงเหล่านี้กับเครื่องมือ Makita ที่ระบุในคู่มือการใช้อุปกรณ์เสริมหรืออุปกรณ์ต่อพ่วงอื่นๆ อาจมีความเสี่ยงที่จะได้รับบาดเจ็บ ใช้อุปกรณ์เสริมหรืออุปกรณ์ต่อพ่วงตามวัตถุประสงค์ที่ระบุไว้เท่านั้น

หากต้องการทราบรายละเอียดเพิ่มเติมเกี่ยวกับอุปกรณ์เสริมเหล่านี้ โปรดสอบถามศูนย์บริการ Makita ใกล้บ้านคุณ

- ล้อตัดแบบขัด
- แบตเตอรี่และเครื่องชาร์จ Makita ของแท้

หมายเหตุ: อุปกรณ์บางรายการอาจรวมอยู่ในชุดเครื่องมือเป็นอุปกรณ์มาตรฐาน ซึ่งอาจแตกต่างกันไปในแต่ละประเทศ

Makita Corporation
3-11-8, Sumiyoshi-cho,
Anjo, Aichi 446-8502 Japan
www.makita.com

885648-374
EN, ID, VI, TH
20180530