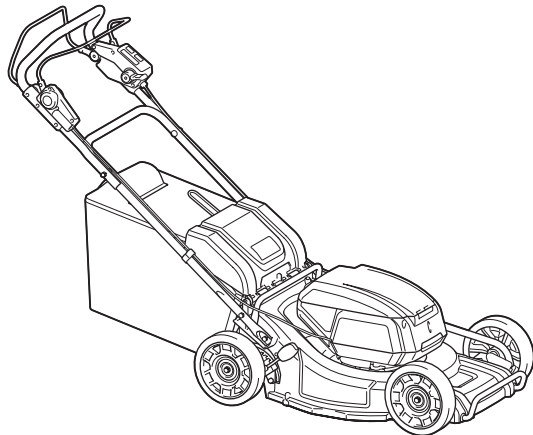




EN	Cordless Lawn Mower	INSTRUCTION MANUAL	7
ZHCN	充电式草坪修剪机	使用说明书	19
ID	Mesin Pemotong Rumput Tanpa Kabel	PETUNJUK PENGGUNAAN	31
MS	Pemangkas Laman Kordles	MANUAL ARAHAN	44
VI	Máy Cắt Cỏ Đẩy Cẩm Tay Hoạt Động Bằng Pin	TÀI LIỆU HƯỚNG DẪN	57
TH	เครื่องตัดหญ้าไร้สาย	คู่มือการใช้งาน	68

DLM533



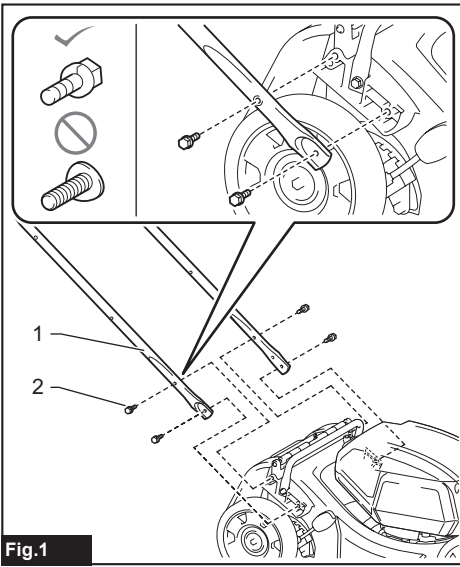


Fig.1

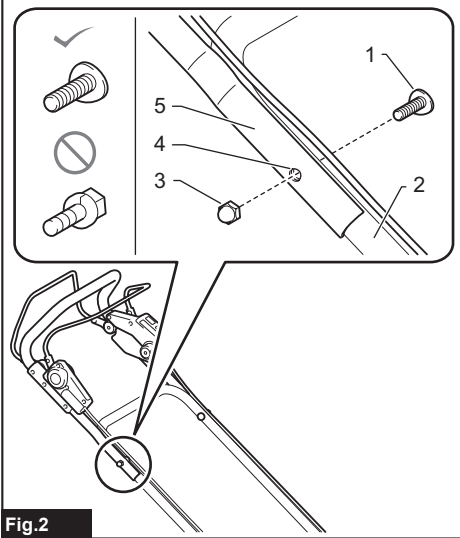


Fig.2

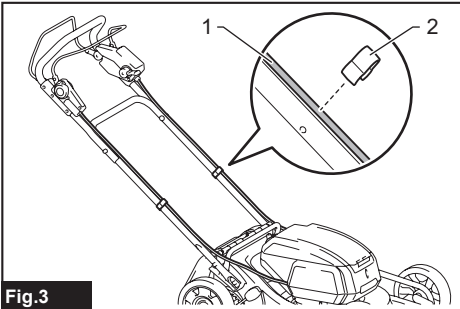


Fig.3

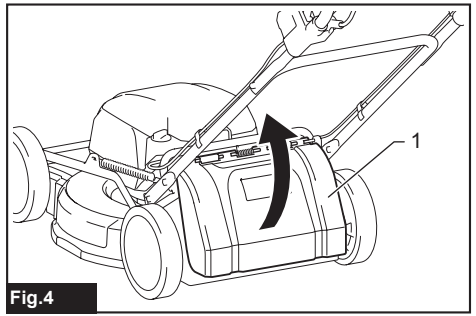


Fig.4

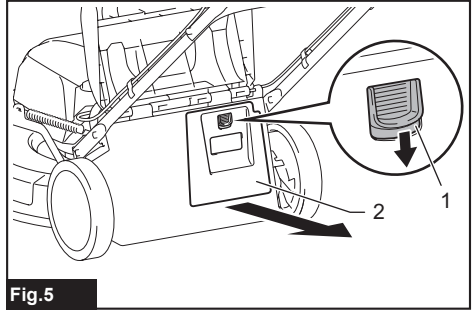


Fig.5

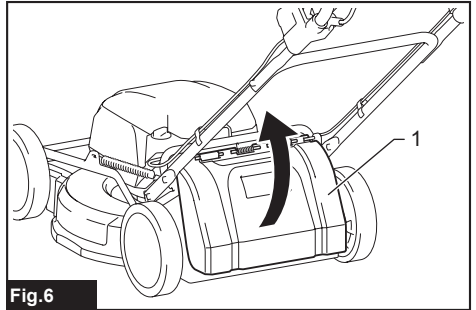


Fig.6

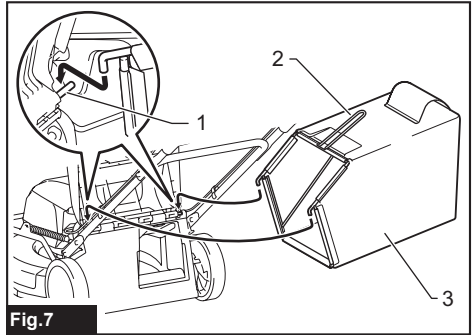


Fig.7

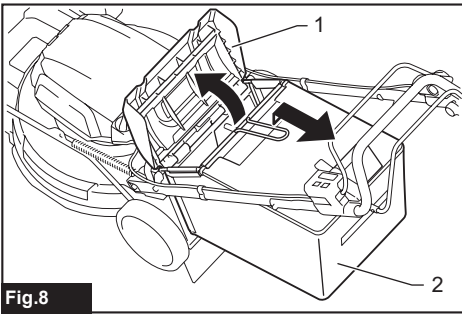


Fig.8

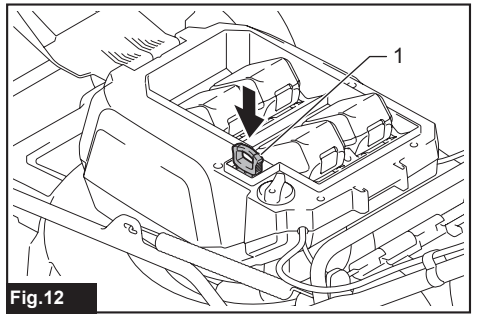


Fig.12

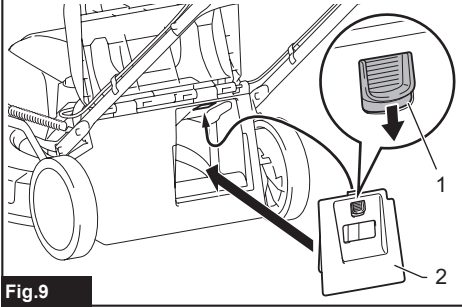


Fig.9

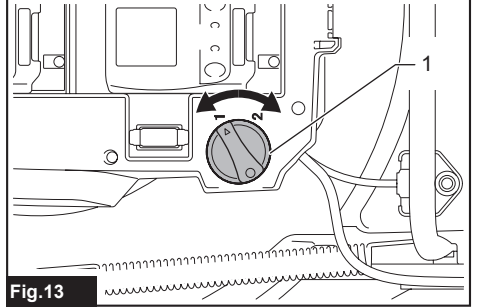


Fig.13

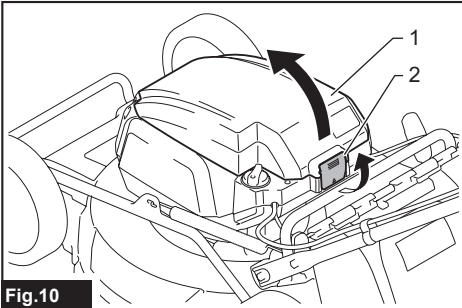


Fig.10

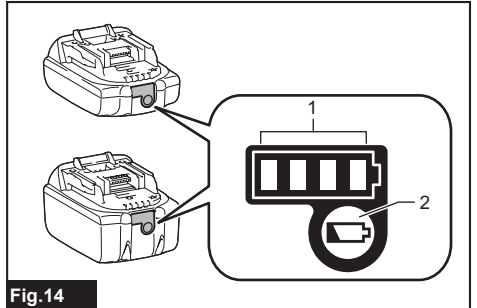


Fig.14

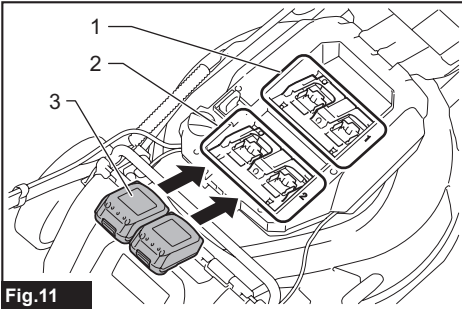


Fig.11

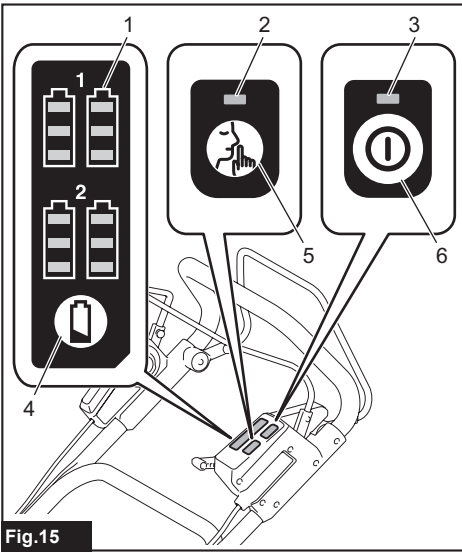


Fig.15

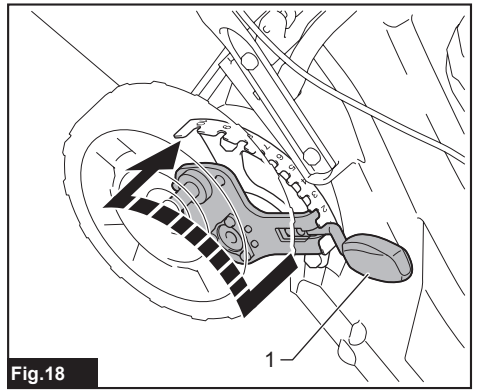


Fig.18

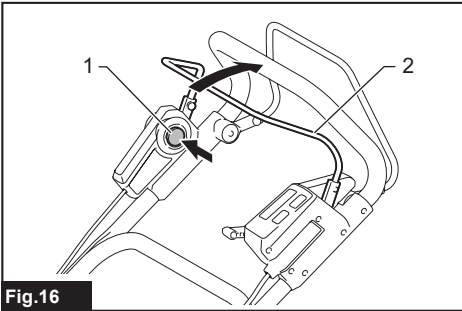


Fig.16

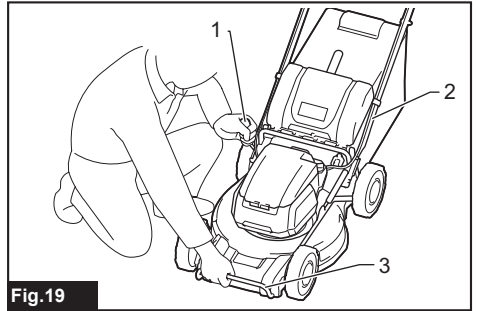


Fig.19

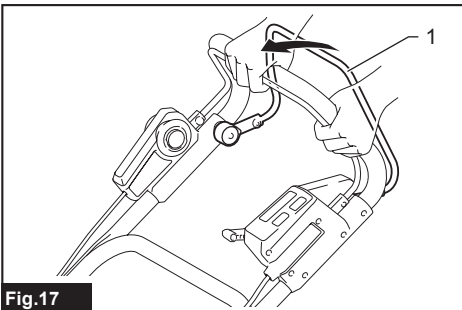


Fig.17

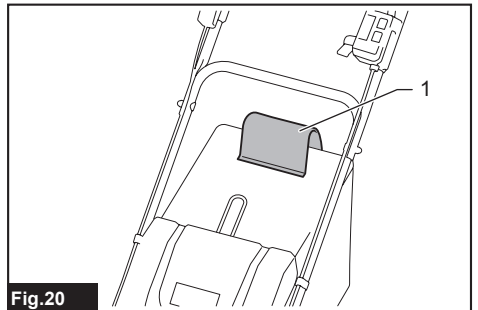


Fig.20

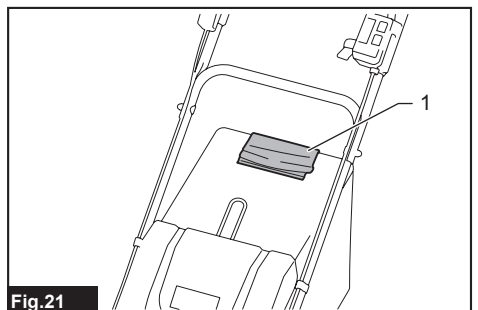


Fig.21

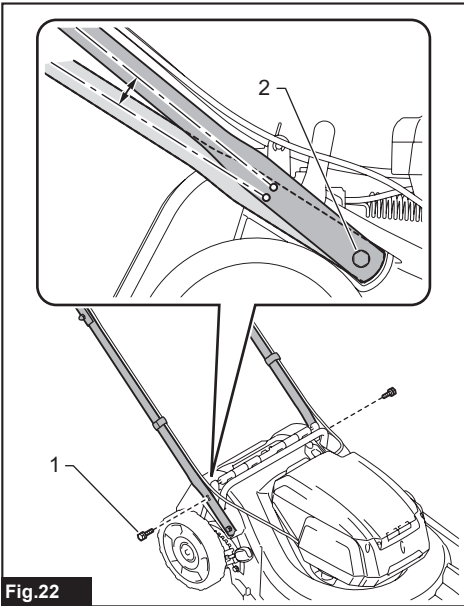


Fig.22

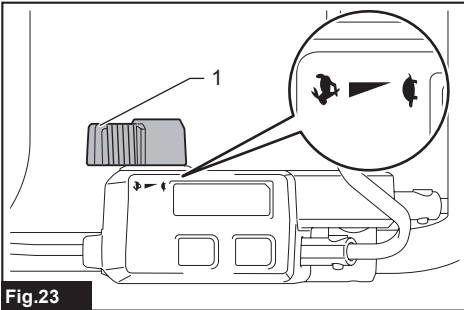


Fig.23

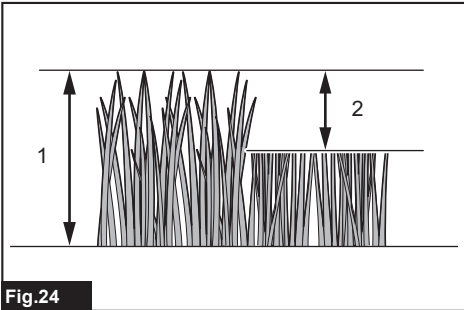


Fig.24



Fig.25

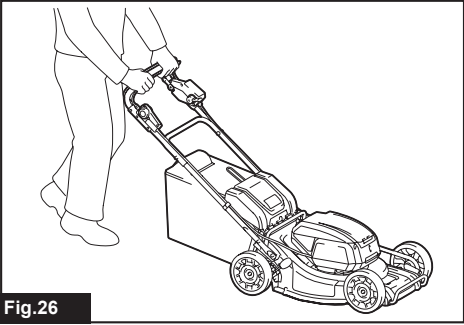


Fig.26

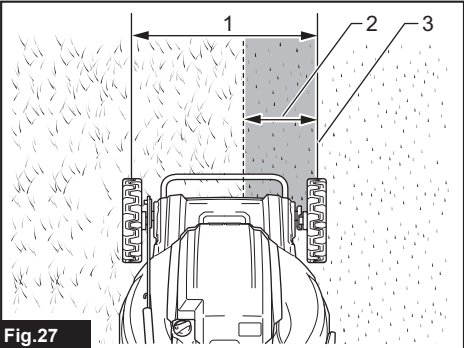


Fig.27

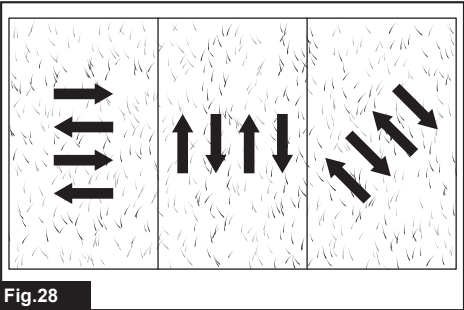


Fig.28

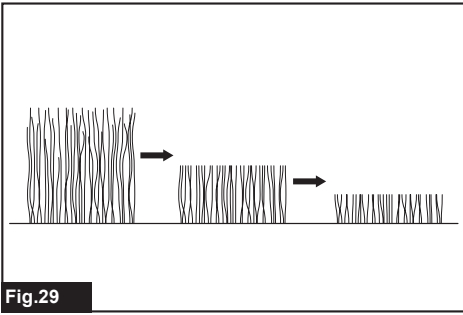


Fig.29

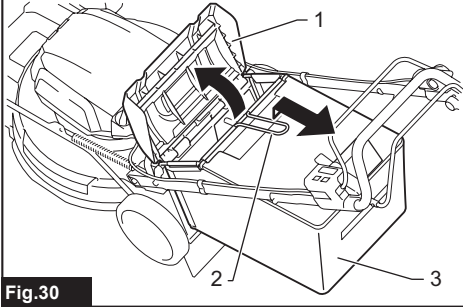


Fig.30

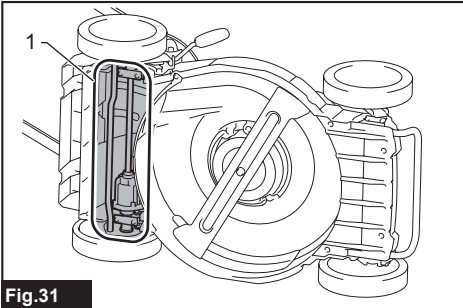


Fig.31

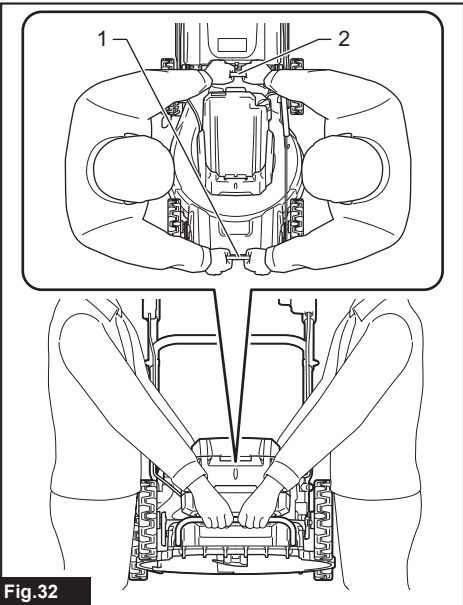


Fig.32

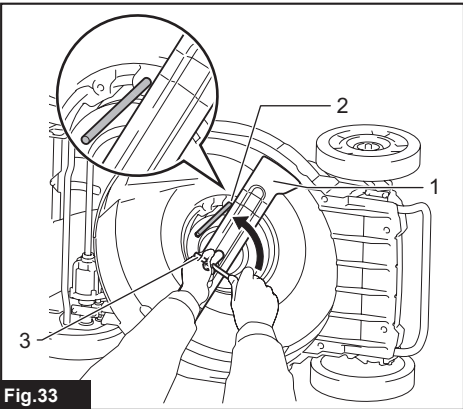


Fig.33

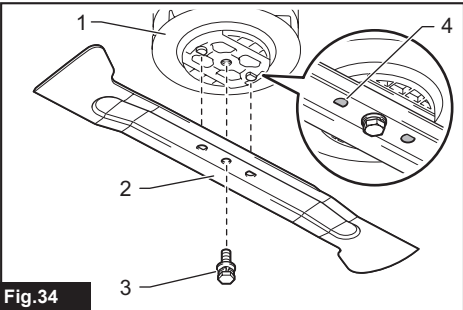


Fig.34

SPECIFICATIONS

Model:		DLM533
Mowing width (blade diameter)		534 mm
No load speed		2,300 min ⁻¹
Maximum speed		2,800 min ⁻¹
Part number of replacement mower blade	Straight mower blade	191D52-7 / 191W87-2
Dimensions (L x W x H)		L: 1,655 mm to 1,740 mm W: 590 mm H: 990 mm to 1,100 mm
Traveling speed		2.5 - 5.0 km/h
Rated voltage		D.C. 36 V
Net weight	When straight mower blade is installed	42.6 - 46.4 kg
Protection degree		IPX4

- Due to our continuing program of research and development, the specifications herein are subject to change without notice.
- Specifications may differ from country to country.
- The weight may differ depending on the attachment(s), including the battery cartridge. The lightest and heaviest combination, according to EPTA-Procedure 01/2014, are shown in the table.

Applicable battery cartridge

BL1815N / BL1820 / BL1820B / BL1830 / BL1830B / BL1840 / BL1840B / BL1850 / BL1850B / BL1860B








- Some of the battery cartridges listed above may not be available depending on your region of residence.

⚠ WARNING: Only use the battery cartridges listed above. Use of any other battery cartridges may cause injury and/or fire.

⚠ WARNING: Do not use a corded power supply such as battery adapter or portable power pack with this machine. The cable of such power supply may hinder the operation and result in personal injury.

Symbols

The followings show the symbols which may be used for the equipment. Be sure that you understand their meaning before use.

	Take particular care and attention.
	Read instruction manual.
	Danger; be aware of thrown objects.
	The distance between the tool and bystanders must be at least 15 m.
	Never put your hands and feet near the blade under the mower. Blades continue to rotate after the motor is switched off.
	Remove the lock key before inspecting, adjusting, cleaning, servicing, leaving and storing the mower.
	Electrical hazard. Contact with water can cause electric shock.



Do not pour water.



Only for EU countries
Due to the presence of hazardous components in the equipment, waste electrical and electronic equipment, accumulators and batteries may have a negative impact on the environment and human health. Do not dispose of electrical and electronic appliances or batteries with household waste!
In accordance with the European Directive on waste electrical and electronic equipment and on accumulators and batteries and waste accumulators and batteries, as well as their adaptation to national law, waste electrical equipment, batteries and accumulators should be stored separately and delivered to a separate collection point for municipal waste, operating in accordance with the regulations on environmental protection.
This is indicated by the symbol of the crossed-out wheeled bin placed on the equipment.



Guaranteed sound power level according to EU Outdoor Noise Directive.



Sound power level according to Australia
NSW Noise Control Regulation.

Intended use

The machine is intended for lawn mowing.

SAFETY WARNINGS

IMPORTANT SAFETY INSTRUCTIONS

⚠ WARNING: Read all safety warnings and all instructions. Failure to follow the warnings and instructions may result in electric shock, fire and/or serious injury.

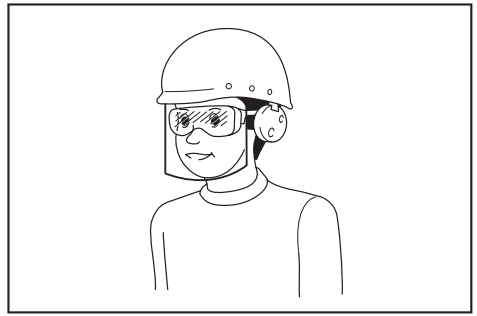
Save all warnings and instructions for future reference.

Training

1. Read the instructions carefully. Be familiar with the controls and the proper use of the mower.
2. Never allow children or people unfamiliar with these instructions to use the mower. Local regulations can restrict the age of the operator.
3. Never operate the mower while people, especially children, or pets are nearby.
4. Keep in mind that the operator or user is responsible for accidents or hazards occurring to other people or their property.
5. Children should be supervised to ensure that they do not play with the mower.
6. Physical condition - Do not operate mower while under the influence of drugs, alcohol, or any medication.

Preparation

1. While operating the mower, always wear substantial footwear and long trousers. Do not operate the mower when barefoot or wearing open sandals. Avoid wearing clothing or jewelry that is loose fitting or that has hanging cords or ties. They can be caught in moving parts.
2. Before use, always visually inspect the mower for damaged, missing or misplaced guards or shields.
3. Be sure the area is clear of other people before mowing. Stop mower if anyone enters the area.
4. Do not insert the lock key into mower until it is ready to be used.
5. Always wear protective goggles to protect your eyes from injury when using power tools. The goggles must comply with ANSI Z87.1 in the USA, EN 166 in Europe, or AS/NZS 1336 in Australia/New Zealand. In Australia/New Zealand, it is legally required to wear a face shield to protect your face, too.



It is an employer's responsibility to enforce the use of appropriate safety protective equipments by the tool operators and by other persons in the immediate working area.

6. Check the blades or blade bolts carefully for cracks or damage before operation. Replace cracked or damaged blades or blade bolts immediately.
7. Remove foreign matters such as rocks, wire, bottles, bones and large sticks from the work area before mowing to prevent personal injury or damage to the mower.
8. Objects struck by the mower blade can cause severe injuries to persons. The lawn should always be carefully examined and cleared of all objects prior to each mowing.
9. Watch for holes, ruts, bumps, rocks, or other hidden objects. Uneven terrain could cause a slip and fall accident. Tall grass can hide obstacles.
10. Do not insert or remove the lock key in the rain.
11. Use personal protective equipment. Always wear eye protection. Protective equipment such as a dust mask, non-skid safety shoes, hard hat or hearing protection used for appropriate conditions will reduce personal injuries.

Operation

1. Do not overreach. Keep the balance at all times. Always be sure of the footing on slopes. Walk, never run.
2. Stop the mower and remove the lock key, and make sure that all moving parts have come to a complete stop:
 - whenever you leave the mower,
 - before clearing blockages or unclogging chute,
 - before checking, cleaning or working on the mower,
 - after striking a foreign object. Inspect the mower for damage and make repairs before restarting and operating the mower,
 - whenever the mower starts vibrating abnormally.
3. Never operate the mower with defective guards or shields, or without safety devices, for example deflectors and/or grass basket, in place.
4. Avoid using the mower in bad weather conditions especially when there is a risk of lightning.

5. **Wear eye protection and stout shoes at all times while operating the mower.**
6. **Operate the mower only in daylight or in good artificial light.**
7. **Switch on the mower carefully according to instructions and with feet well away from the blade(s).**
8. **Take care against injury to feet and hands from the mower blades.**
9. **Always ensure that the ventilation openings are kept clear of debris.**
10. **Mow across the face of slopes, never up and down. Exercise extreme caution when changing direction on slopes. Do not mow excessively steep slopes.**
11. **Use extreme caution when reversing or pulling the mower towards you.**
12. **Stop the blade(s) if the mower has to be tilted for transportation when crossing surfaces other than grass, and when transporting the mower to and from the area to be used.**
13. **Do not tilt the mower when switching on the motor, except if the mower has to be tilted for starting. In this case, do not tilt it more than absolutely necessary and lift only the part, which is away from the operator. Always ensure that both hands are in the operating position before returning the mower to the ground.**
14. **Do not put hands or feet near or under rotating parts. Keep clear of the discharge opening at all times.**
15. **Do not transport the mower while the mower is turned on.**
16. **Avoid operating the mower in wet grass.**
17. **Always keep a firm hold on the handle.**
18. **Don't grasp the exposed cutting blades or cutting edges when picking up or holding the mower.**
19. **Keep hands and feet away from rotating blades. Caution - Blades coast after the mower is switched off.**
20. **Stop operation immediately if you notice anything unusual. Switch off the mower and remove the lock key. Then inspect the mower.**
21. **Never attempt to make cutting height adjustments while mower is running if the mower has cutting height adjustment feature.**
22. **Release switch lever and wait for blade rotation to stop before crossing driveways, walks, roads, and any gravel-covered areas. Also remove the lock key if you leave the mower, reach to pick up or remove something out of your way, or for any other reason that may distract you from what you are doing.**
23. **If the mower strikes a foreign object, follow these steps:**
 - Stop the mower, release the switch lever and wait until the blade comes to a complete stop.
 - Remove the lock key and the battery cartridge.
 - Thoroughly inspect the mower for any damage.
- **Replace the blade if it is damaged in any way. Repair any damage before restarting and continuing to operate the mower.**
24. **Do not start the mower when standing in front of the discharge opening.**
25. **If the mower starts to vibrate abnormally (check immediately)**
 - inspect for damage,
 - replace or repair any damaged parts,
 - check for and tighten any loose parts.
26. **Never direct discharged material toward anyone. Avoid discharging material against a wall or obstruction. Material may ricochet back toward the operator. Stop the blade when crossing gravel surfaces.**
27. **Do not pull the mower backwards unless absolutely necessary.** When you are compelled to back the mower from a fence or other similar obstruction, look down and behind before and while moving backwards.
28. **Shut the motor off and wait until the blade comes to a complete stop before removing the grass catcher.** Beware that the blades coast after turn off.
29. **When you use the machine on muddy ground, wet slope, or slippery place, pay attention to your footing.**
30. **Avoid working in poor environment where increased user fatigue is expected.**
31. **Do not use the machine in bad weather where visibility is limited.** Failure to do so may cause fall or incorrect operation due to low visibility.
32. **Do not submerge the machine into a puddle.**
33. **When wet leaves or dirt adhere to the suction mouth (ventilation window) due to rain, remove them.**
34. **Do not use the machine in the snow.**
35. **If the cut-off grass is wet, it is likely to be clogged inside of the machine. Check the condition of the machine regularly, and remove the adhered grass as necessary.**
36. **When operating the machine, pay attention to piping and wiring.**
37. **Do not use a corded power supply such as battery adapter or portable power pack with this machine.** The cable of such power supply may hinder the operation and result in personal injury.

Maintenance and storage

1. **Replace worn or damaged parts for safety. Use only genuine replacement parts and accessories.**
2. **Inspect and maintain the mower regularly.**
3. **When not in use, store the mower out of the reach of children.**
4. **Keep all nuts, bolts, and screws tight to be sure the equipment is in safe working condition.**
5. **Check the grass basket frequently for wear or deterioration. For storage, always make sure the grass basket is empty. Replace a worn grass basket with a new factory replacement for safety.**

6. Use only the manufacturer genuine blades specified in this manual.
7. Be careful during adjustment of the mower to prevent entrapment of the fingers between moving blades and fixed parts of the mower.
8. Check the blade mounting bolt at frequent intervals for proper tightness.
9. Always allow the mower to cool down before storing.
10. When servicing the blades be aware that, even though the power source is switched off, the blades can still be moved.
11. Never remove or tamper with safety devices. Check their proper operation regularly. Never do anything to interfere with the intended function of a safety device or to reduce the protection provided by a safety device.
12. Do not leave the machine unattended outdoors in the rain.
13. Do not wash the machine with high pressure water.
14. When washing the machine, be sure to remove the battery and lock key and close the battery cover, and pour water toward the bottom of the machine to which the blade is attached.
15. When storing the machine, avoid direct sunlight and rain, and store it in a place where it does not get hot or humid.
16. Perform inspection or maintenance in a place where rain can be avoided.
17. After using the machine, remove the adhered dirt and dry the machine completely before storing. Depending on the season or the area, there is a risk of malfunction due to freezing.

Battery tool use and care

1. **Recharge only with the charger specified by the manufacturer.** A charger that is suitable for one type of battery pack may create a risk of fire when used with another battery pack.
2. **Use power tools only with specifically designated battery packs.** Use of any other battery packs may create a risk of injury and fire.
3. **When battery pack is not in use, keep it away from other metal objects, like paper clips, coins, keys, nails, screws or other small metal objects, that can make a connection from one terminal to another.** Shorting the battery terminals together may cause burns or a fire.
4. **Under abusive conditions, liquid may be ejected from the battery; avoid contact. If contact accidentally occurs, flush with water. If liquid contacts eyes, additionally seek medical help.** Liquid ejected from the battery may cause irritation or burns.
5. **Do not use a battery pack or tool that is damaged or modified.** Damaged or modified batteries may exhibit unpredictable behaviour resulting in fire, explosion or risk of injury.
6. **Do not expose a battery pack or tool to fire or excessive temperature.** Exposure to fire or temperature above 130 °C may cause explosion.

7. **Follow all charging instructions and do not charge the battery pack or tool outside the temperature range specified in the instructions.** Charging improperly or at temperatures outside the specified range may damage the battery and increase the risk of fire.

Electrical and battery safety

1. **Do not dispose of the battery(ies) in a fire.** The cell may explode. Check with local codes for possible special disposal instructions.
2. **Do not open or mutilate the battery(ies).** Released electrolyte is corrosive and may cause damage to the eyes or skin. It may be toxic if swallowed.
3. **Do not charge battery in rain, or in wet locations.**
4. **Do not charge the battery outdoors.**
5. **Do not handle charger, including charger plug, and charger terminals with wet hands.**
6. **Do not replace the battery in the rain.**
7. **Do not wet the terminal of battery with liquid such as water, or submerge the battery. Do not leave the battery in the rain, nor charge, use, or store the battery in a damp or wet place.** If the terminal gets wet or liquid enters inside of battery, the battery may be short circuited and there is a risk of overheat, fire, or explosion.
8. **After removing the battery from the machine or charger, be sure to attach the battery cover to the battery and store it in a dry place.**
9. **Do not replace the battery with wet hands.**

Service

1. **Have your power tool serviced by a qualified repair person using only identical replacement parts.** This will ensure that the safety of the power tool is maintained.
2. **Never service damaged battery packs.** Service of battery packs should only be performed by the manufacturer or authorized service providers.

SAVE THESE INSTRUCTIONS.

⚠WARNING: DO NOT let comfort or familiarity with product (gained from repeated use) replace strict adherence to safety rules for the subject product.

MISUSE or failure to follow the safety rules stated in this instruction manual may cause serious personal injury.

Important safety instructions for battery cartridge

1. **Before using battery cartridge, read all instructions and cautionary markings on (1) battery charger, (2) battery, and (3) product using battery.**
2. **Do not disassemble or tamper with the battery cartridge.** It may result in a fire, excessive heat, or explosion.
3. **If operating time has become excessively shorter, stop operating immediately. It may result in a risk of overheating, possible burns and even an explosion.**

4. If electrolyte gets into your eyes, rinse them out with clear water and seek medical attention right away. It may result in loss of your eyesight.
5. Do not short the battery cartridge:
 - (1) Do not touch the terminals with any conductive material.
 - (2) Avoid storing battery cartridge in a container with other metal objects such as nails, coins, etc.
 - (3) Do not expose battery cartridge to water or rain.

A battery short can cause a large current flow, overheating, possible burns and even a breakdown.

6. Do not store and use the tool and battery cartridge in locations where the temperature may reach or exceed 50 °C (122 °F).
7. Do not incinerate the battery cartridge even if it is severely damaged or is completely worn out. The battery cartridge can explode in a fire.
8. Do not nail, cut, crush, throw, drop the battery cartridge, or hit against a hard object to the battery cartridge. Such conduct may result in a fire, excessive heat, or explosion.
9. Do not use a damaged battery.
10. The contained lithium-ion batteries are subject to the Dangerous Goods Legislation requirements.

For commercial transports e.g. by third parties, forwarding agents, special requirement on packaging and labeling must be observed. For preparation of the item being shipped, consulting an expert for hazardous material is required. Please also observe possibly more detailed national regulations.

Tape or mask off open contacts and pack up the battery in such a manner that it cannot move around in the packaging.
11. When disposing the battery cartridge, remove it from the tool and dispose of it in a safe place. Follow your local regulations relating to disposal of battery.
12. Use the batteries only with the products specified by Makita. Installing the batteries to non-compliant products may result in a fire, excessive heat, explosion, or leak of electrolyte.
13. If the tool is not used for a long period of time, the battery must be removed from the tool.
14. During and after use, the battery cartridge may take on heat which can cause burns or low temperature burns. Pay attention to the handling of hot battery cartridges.
15. Do not touch the terminal of the tool immediately after use as it may get hot enough to cause burns.
16. Do not allow chips, dust, or soil stuck into the terminals, holes, and grooves of the battery cartridge. It may result in poor performance or breakdown of the tool or battery cartridge.

17. Unless the tool supports the use near high-voltage electrical power lines, do not use the battery cartridge near high-voltage electrical power lines. It may result in a malfunction or breakdown of the tool or battery cartridge.
18. Keep the battery away from children.

SAVE THESE INSTRUCTIONS.

CAUTION: Only use genuine Makita batteries. Use of non-genuine Makita batteries, or batteries that have been altered, may result in the battery bursting causing fires, personal injury and damage. It will also void the Makita warranty for the Makita tool and charger.

Tips for maintaining maximum battery life

1. Charge the battery cartridge before completely discharged. Always stop tool operation and charge the battery cartridge when you notice less tool power.
2. Never recharge a fully charged battery cartridge. Overcharging shortens the battery service life.
3. Charge the battery cartridge with room temperature at 10 °C - 40 °C (50 °F - 104 °F). Let a hot battery cartridge cool down before charging it.
4. When not using the battery cartridge, remove it from the tool or the charger.
5. Charge the battery cartridge if you do not use it for a long period (more than six months).

ASSEMBLY

WARNING: Always be sure that the lock key and battery cartridge are removed before carrying out any work on the mower. Failure to remove the lock key and the battery cartridge may result in serious personal injury from accidental start-up.

WARNING: Never start the mower unless it is completely assembled. Operation of the machine in a partially assembled state may result in serious personal injury from accidental start-up.

Installing the handle

NOTICE: When installing handles, position the cords so that they are not caught by anything between the handles. If the cord is damaged, the mower switch may not work.

1. Align the holes in the lower handle with the holes in the mower body, and then tighten 4 bolts temporarily.

► Fig.1: 1. Lower handle 2. Bolt
2. Firmly tighten 4 bolts which were temporarily tightened in step 1 using box wrench 13.

- Align the hole in the lower handle with the hole in the upper handle, then insert the bolt from inside, and then tighten the nut from outside with box wrench 13. Perform the same procedure on the other side.

► **Fig.2:** 1. Bolt 2. Lower handle 3. Nut 4. Hole
5. Upper handle

CAUTION: Hold the upper handle firmly so that it does not drop off your hand. Otherwise, the handle may fall and cause an injury.

- Attach the holders to the handle.

Align the protrusions on the holder with the holes on the handle so that the protrusions fit in the holes. Position the cords as shown in the figure.

► **Fig.3:** 1. Cord 2. Holder

Removing the mulching plug

- Open the rear cover.

► **Fig.4:** 1. Rear cover

- Remove the mulching plug while holding down the lever.

► **Fig.5:** 1. Lever 2. Mulching plug

Installing or removing the grass basket

To install the grass basket, follow the steps below.

- Open the rear cover.

► **Fig.6:** 1. Rear cover

- Hold the handle of the grass basket, and then hook the grass basket on the rod of the mower body as shown in the figure.

► **Fig.7:** 1. Rod 2. Handle 3. Grass basket

To remove the grass basket, open the rear cover, and then remove the grass basket by holding the handle.

Attaching the mulching plug

- Open the rear cover, and then remove the grass basket.

► **Fig.8:** 1. Rear cover 2. Grass basket

- Attach the mulching plug while holding down the lever, and then release the lever to lock the mulching plug.

► **Fig.9:** 1. Lever 2. Mulching plug

FUNCTIONAL DESCRIPTION

Installing or removing battery cartridge

CAUTION: Always switch off the machine before installing or removing of the battery cartridge.

CAUTION: Hold the machine and the battery cartridge firmly when installing or removing battery cartridge. Failure to hold the machine and the battery cartridge firmly may cause them to slip off your hands and result in damage to the machine and battery cartridge and a personal injury.

CAUTION: Make sure that you lock the battery cover before use. Otherwise, mud, dirt, or water may cause damage to the product or the battery cartridge.

CAUTION: Always install the battery cartridge fully until the red indicator cannot be seen. If not, it may accidentally fall out of the machine, causing injury to you or someone around you.

CAUTION: Do not install the battery cartridge forcibly. If the cartridge does not slide in easily, it is not being inserted correctly.

NOTE: The machine does not work with only one battery cartridge.

To install the battery cartridge;

- Pull up the locking lever, and then open the battery cover.

► **Fig.10:** 1. Battery cover 2. Locking lever

- Align the tongue on the battery cartridge with the slot on the machine, and then slide the cartridge until it locks in place with a little click.

► **Fig.11:** (1) Battery port 1 (2) Battery port 2
(3) Battery cartridge

NOTE: Install at least 2 battery cartridges to battery port 1 or battery port 2.

- Insert the lock key in the place shown in the figure as far as it will go.

► **Fig.12:** 1. Lock key

- Close the battery cover and push it until it is latched with the locking lever.

To remove the battery cartridge;

- Pull up the locking lever and open the battery cover.

- Pull out the battery cartridge from the machine while sliding the button on the front of the cartridge.

- Pull out the lock key.

- Close the battery cover.

Switching the battery cartridges

► Fig.13: 1. Battery selection switch

The machine uses 2 battery cartridges for operation at a time. Up to 4 battery cartridges can be installed to the machine. Before operating the machine, select the battery port 1 or battery port 2 by turning the battery selection switch.

NOTE: If only 2 battery cartridges are installed to the machine, be sure to select the battery port to which the battery cartridges are installed using the battery selection switch.

Machine / battery protection system

The machine is equipped with a machine/battery protection system. This system automatically cuts off power to the motor to extend machine and battery life. The machine will automatically stop during operation if the machine or battery is placed under one of the following conditions:

Overload protection

When the battery is operated in a manner that causes it to draw an abnormally high current, the machine automatically stops and the main power lamp blinks in green. In this situation, turn the machine off and stop the application that caused the machine to become overloaded. Then turn the machine on to restart.

Overheat protection

When the machine or battery is overheated, the machine stops automatically and the main power lamp lights up in red. In this case, let the machine and battery cool before turning the machine on again.

Overdischarge protection















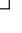



When the battery capacity is not enough, the machine stops automatically and the main power lamp blinks in red. In this case, remove the battery from the machine and charge the battery cartridges or change the battery cartridges to fully charged ones.

Indicating the remaining battery capacity

Only for battery cartridges with the indicator

► Fig.14: 1. Indicator lamps 2. Check button

Press the check button on the battery cartridge to indicate the remaining battery capacity. The indicator lamps light up for a few seconds.

Indicator lamps			Remaining capacity
 Lighted	 Off	 Blinking	
			75% to 100%
			50% to 75%
			25% to 50%
			0% to 25%
			Charge the battery.
			The battery may have malfunctioned.
			

NOTE: Depending on the conditions of use and the ambient temperature, the indication may differ slightly from the actual capacity.

NOTE: The first (far left) indicator lamp will blink when the battery protection system works.

Control panel

The control panel has the main power switch, the mode switching button, and the indicator of remaining battery capacity.

► Fig.15: 1. Battery indicator 2. Mode switching lamp 3. Main power lamp 4. Check button 5. Mode switching button 6. Main power switch

Main power switch

⚠ WARNING: Always turn off the main power switch when not in use.

To turn on the machine, press the main power switch. The main power lamp lights up in green. To turn off the machine, press the main power switch again.

NOTE: If the main power lamp lights up in red or blinks in red or green, refer to the instructions for machine/battery protection system.







NOTE: This machine employs the auto power-off function. To avoid unintentional start up, the main power switch will automatically shut down when the switch lever and drive lever (if equipped) are not pulled for a certain period after the main power switch is turned on.

Mode switching button

You can switch the operating mode by pressing the mode switching button. When the machine is turned on, the machine starts up in the normal mode. When you press the mode switching button, the machine shifts to the noise reduction mode and the mode switching lamp lights up in green. In the noise reduction mode, you can decrease the noise at mowing. When you press the mode switching button again, the machine returns to the normal mode.

Indicating the remaining battery capacity

Press the check button to indicate the remaining battery capacities. The battery indicators correspond to each battery.

Battery indicator status		Remaining battery capacity
On	Off	
		50% - 100%
		20% - 50%
		0% - 20%

NOTE: The indicator lamps for remaining battery capacity is just for a reference. The actual battery capacity may differ depending on the usage conditions.

NOTE: Before you press the check button to indicate the remaining battery capacities, stop the machine.

Switch action

⚠WARNING: Before installing the battery cartridge, always check to see that the switch lever actuates properly and returns to the original position when released. Operating the machine with a switch that does not actuate properly can lead to loss of control and serious personal injury.

NOTE: The mower does not start without pressing the switch button even the switch lever is pulled.

NOTE: Mower may not start due to the overload when you try to mow long or dense grass at a time. Increase the mowing height in this case.

This mower is equipped with the lock key and handle switch. If you notice anything unusual with either of the lock key or switch, stop the operation immediately and have them checked by your nearest Makita Authorized Service Center.

1. Install the battery cartridges. Insert the lock key, and then close the battery cover.
2. Select the battery cartridges used for operation by turning the battery selection switch.
3. Press the main power switch.
4. Pull the switch lever toward you while holding down the switch button. Release the switch button as soon as the motor starts running.

► Fig.16: 1. Switch button 2. Switch lever

NOTE: If the lock key is not inserted, the power lamp blinks in green when you pull the switch lever.

5. While holding the switch lever, push the drive lever forward and hold it to drive the rear wheels.

► Fig.17: 1. Drive lever

NOTE: You can drive the rear wheels by pushing the drive lever forward and hold it without pulling the switch lever.

6. Release the drive lever and the switch lever to stop the machine.

Adjusting the mowing height

⚠WARNING: Never put your hand or leg under the mower body when adjusting the mowing height.

⚠WARNING: Always make sure that the lever fits in the groove properly before operation.

The mowing height can be adjusted in the range of between 20 mm and 100 mm.

Remove the lock key, and then pull the mowing height adjusting lever outward of the mower body and move it to your desired mowing height.

► Fig.18: 1. Mowing height adjusting lever

The table below shows the relationship between the number on the mower body and the approximate mowing height.

Number	Mowing height
1	20 mm
2	26 mm
3	32 mm
4	39 mm
5	47 mm
6	55 mm
7	63 mm
8	74 mm
9	86 mm
10	100 mm

Hold the front grip or the lower handle with one hand, and then move the mowing height adjusting lever with the other hand.

► **Fig.19:** 1. Mowing height adjusting lever 2. Lower handle 3. Front grip

NOTE: The mowing height figures should be used just as a guideline. Depending on the conditions of the lawn or the ground, the actual lawn height may become slightly different from the set height.

NOTE: Try a test mowing of grass in a less conspicuous place to get your desired height.

Grass level indicator

Grass level indicator shows the volume of mowed grass. When the grass basket is not full, the indicator floats while the blades are running.

► **Fig.20:** 1. Grass level indicator

When the grass basket is almost full, the indicator does not float while the blades are running. In this case, stop the operation immediately and empty the basket.

► **Fig.21:** 1. Grass level indicator

NOTE: This indicator is a rough guide. Depending on the conditions of inside of the basket, this indicator may not work properly.

Adjusting the handle height

CAUTION: Before removing the bolts, hold the upper handle firmly. Otherwise, the handle may fall and cause an injury.

The handle height can be adjusted in two levels.

1. Remove the upper bolts of the lower handle using box wrench 13, and then loosen the lower bolts.

► **Fig.22:** 1. Upper bolt 2. Lower bolt

2. Adjust the handle height, and then tighten the upper and lower bolts firmly.

Adjusting the traveling speed

► **Fig.23:** 1. Speed lever

The traveling speed can be adjusted with the speed lever. To decrease the speed, pull the lever toward you, and to increase the speed, turn the lever forward.

Using mulching plug

The mulching plug allows you to return the cut grass to the ground without gathering the cut grass in the grass basket. When you operate the machine with the mulching plug, be sure to remove the grass basket.

NOTICE: When using the machine with the mulching plug, make sure that the total length of grass is 30 mm or more, or the cut length is 15 mm or less.

► **Fig.24:** (1) 30 mm or more (2) 15 mm or less

Using the rear discharge

Using the rear discharge allows you to discharge the cut grass to the ground from the rear side of the machine without gathering the cut grass in the grass basket. When you operate the machine using the rear discharge, be sure to remove the grass basket and mulching plug, and close the rear cover.

Electronic function

The machine is equipped with the electronic functions for easy operation.

- Constant speed control of blade rotation
Electronic speed control for obtaining constant speed. Possible to get fine finish, because the rotating speed is kept constant even under load condition.
- Soft start at driving
The soft-start function minimizes start-up shock, and makes the machine start smoothly.
- Electric brake
This machine is equipped with an electric brake. If the machine consistently fails to quickly stop the mower blades after releasing the switch lever, have the machine serviced at Makita Authorized Service Center.

OPERATION

Mowing

WARNING: Before mowing, clear away sticks and stones from mowing area. Furthermore, clear away any weeds from mowing area in advance.

WARNING: Always wear the safety goggles or safety glasses with side shields when operating the mower.

CAUTION: If the cut grass or foreign object blocks up inside of the mower body, be sure to remove the lock key and battery cartridge and wear gloves before removing the grass or foreign object.

NOTICE: Use this machine for mowing lawn only. Do not mow weeds with this machine.

► **Fig.25**

Firmly hold the handle with both hands when mowing. The mowing speed guideline is approximately 7 to 14 meters per 10 seconds.

► **Fig.26**

The center lines of the front wheels are guidelines to mowing width. Using the center lines as guidelines, mow in strips. Overlap by one half to one third the previous strip to mow the lawn evenly.

► **Fig.27:** 1. Mowing width 2. Overlapping area
3. Center line

Change the mowing direction each time to prevent the grass grain pattern from forming in just one direction.

► Fig.28

Periodically check the grass basket for mowed grass. Empty the grass before it becomes full. Before every periodical check, be sure to stop the mower then remove the lock key and the battery cartridge.

NOTICE: Using the mower with the grass basket full prevents smooth blade rotation and places an extra load on the motor, which may cause breakdown.

Mowing a long-grass lawn

Do not try to cut long grass all at once. Instead, mow the lawn in steps. Leave a day or two between mowings until the lawn becomes evenly short.

► Fig.29

NOTE: Mowing long grass to a short length all at once may cause the grass to die. The cut grass may also block up inside of the mower body.

Emptying the grass basket

⚠WARNING: To reduce a risk of accident, regularly check the grass basket for any damage or weakened strength. Replace the grass basket if necessary.

1. Release the switch lever and drive lever.
2. Remove the lock key.
3. Open the rear cover and take out the grass basket by holding the handle.

► Fig.30: 1. Rear cover 2. Handle 3. Grass basket

4. Empty the grass basket.

MAINTENANCE

⚠WARNING: Always be sure that the lock key and battery cartridge are removed from the mower before storing or carrying the mower or attempting to perform inspection or maintenance.

⚠WARNING: Always remove the lock key when the mower is not in use. Store the lock key in a safe place out of reach of children.

⚠WARNING: Wear gloves when performing inspection or maintenance.

⚠WARNING: Always wear the safety goggles or safety glasses with side shields when performing inspection or maintenance.

NOTICE: Never use gasoline, benzine, thinner, alcohol or the like. Discoloration, deformation or cracks may result.

To maintain product SAFETY and RELIABILITY, repairs, any other maintenance or adjustment should be performed by Makita Authorized or Factory Service Centers, always using Makita replacement parts.

Maintenance

1. Remove the lock key and battery cartridges, and then close the battery cover.
2. Put the mower on its side and clean grass clippings accumulated on the underside of mower deck.
3. Pour water toward the bottom of the machine to which the blade is attached.

NOTICE: Do not wash the machine with high pressure water.

4. Check all nuts, bolts, knobs, screws, fasteners etc. for tightness.
5. Inspect moving parts for damage, breakage, and wear. Damaged or missing parts should be repaired or replaced.
6. Store the mower in a safe place out of the reach of children.

NOTICE: Do not pour water to the area shown in the figure. Pouring water to the motor unit may cause a malfunction of the machine.

► Fig.31: 1. Area where water should not be poured

Carrying the mower

When carrying the mower, hold the front grip and rear grip with two people as shown in the figure.

► Fig.32: 1. Front grip 2. Rear grip

Storing

Store mower indoors in a cool, dry and locked place. Don't store the mower and charger in locations where the temperature may reach or exceed 40 °C.

Removing or installing the mower blade

⚠WARNING: The blade coasts for a few seconds after releasing the switch. Do not start any operation until the blade comes to a complete stop.

⚠WARNING: Always remove the lock key and battery cartridge when removing or installing the blade. Failure to remove the lock key and battery cartridge may cause a serious injury.

⚠WARNING: Always wear gloves when handling the blade.

Removing the mower blade

1. Put the mower on its side so that the mowing height adjusting lever comes to the upper side.
2. To lock the blade, insert the pin into a hole on the mower body.
3. Turn the bolt counterclockwise with box wrench 17.

► **Fig.33:** 1. Mower blade 2. Pin 3. Box wrench

4. Remove the bolt, and then mower blade.
- **Fig.34:** 1. Blade support 2. Mower blade 3. Bolt
4. Protrusion

NOTICE: When installing the mower blade, make sure that the protrusions on the blade support fit in the holes in the mower blade.

Installing the mower blade

⚠WARNING: Install the mower blade carefully. It has a top/bottom facing.

⚠WARNING: Tighten the bolt clockwise firmly to secure the blade.

⚠WARNING: Make sure that the mower blade and all the fixing parts are installed correctly and tightened securely.

⚠WARNING: When you replace the blades, always follow the instructions provided in this manual.

NOTICE: After installing the mower blades, remove the pin from the mower body.

To install the mower blades, perform the removal procedure in reverse.

TROUBLESHOOTING

Before asking for repairs, conduct your own inspection first. If you find a problem that is not explained in the manual, do not attempt to disassemble the machine. Instead, ask Makita Authorized Service Centers, always using Makita replacement parts for repairs.

State of abnormality	Probable cause (malfunction)	Remedy
Mower does not start.	Two battery cartridges are not installed.	Install two charged battery cartridges.
	Battery problem (under voltage)	Recharge the battery cartridge. If recharging is not effective, replace battery cartridge.
	The lock key is not inserted.	Insert the lock key.
	Battery selection switch is not in the correct position.	Select the battery port to which the battery cartridges are installed using the battery selection switch.
Motor stops running after a little use.	Battery's charge level is low.	Recharge the battery cartridge. If recharging is not effective, replace battery cartridge.
	Cutting height is too low.	Increase the cutting height.
	Cut grass is clogged in the mower.	Remove the clogged grass from the mower.
Motor does not reach maximum RPM.	Battery cartridge is installed improperly.	Install the battery cartridge as described in this manual.
	Battery power is dropping.	Recharge the battery cartridge. If recharging is not effective, replace battery cartridge.
	The drive system does not work correctly.	Ask your local authorized service center for repair.
Mower blade does not rotate: ⇒ stop the mower immediately!	Foreign object such as a branch is jammed near the blade.	Remove the foreign object.
	The drive system does not work correctly.	Ask your local authorized service center for repair.
Abnormal vibration: ⇒ stop the mower immediately!	Blade is imbalanced, excessively or unevenly worn.	Replace the blade.

OPTIONAL ACCESSORIES

⚠ CAUTION: These accessories or attachments are recommended for use with your Makita machine specified in this manual. The use of any other accessories or attachments might present a risk of injury to persons. Only use accessory or attachment for its stated purpose.

If you need any assistance for more details regarding these accessories, ask your local Makita Service Center.

- Mower blade
- Makita genuine battery and charger

NOTE: Some items in the list may be included in the product package as standard accessories. They may differ from country to country.

规格

型号:		DLM533
修剪宽度 (刀片直径)		534 mm
空载速度		2,300/min
最大速度		2,800/min
修剪机备用刀片零件编号	平直型修剪机刀片	191D52-7 / 191W87-2
尺寸 (长 × 宽 × 高)		长: 1,655 mm至1,740 mm 宽: 590 mm 高: 990 mm至1,100 mm
行驶速度		2.5 - 5.0 km/h
额定电压		D.C. 36 V
净重	安装有平直型修剪机刀片时	42.6 - 46.4 kg
防护等级		IPX4

- 生产者保留变更规格不另行通知之权利。
- 规格可能因销往国家之不同而异。
- 重量因附件 (包括电池组) 而异。根据EPTA-Procedure 01/2014, 最重与最轻的组合见表。

适用电池组

BL1815N / BL1820 / BL1820B / BL1830 / BL1830B / BL1840 / BL1840B / BL1850 / BL1850B / BL1860B





- 部分以上所列电池组是否适用视用户所在地区而异。





警告: 请仅使用以上所列电池组。使用其他类型的电池组可能会导致人身伤害和 / 或失火。

警告: 请勿对此机器使用带线电源, 例如电池连接转换器或者便携电源装置。此类电源电缆可能会阻碍操作并导致人员受伤。

符号

以下显示本设备可能会使用的符号。在使用工具之前, 请务必理解其含义。

	特别小心和注意。
	阅读使用说明书。
	危险: 注意抛掷物体。
	工具和旁观者的距离至少为15米。

	切勿使手和脚靠近修剪机下面的刀片。电机关闭后刀片还会继续旋转。
	检查、调节、清洁、维修、放置或存放修剪机前, 请务必按下锁定钥匙。
	电气危害。接触水可能导致触电。
	请勿冲水。



仅限于欧盟国家
由于本设备中包含有害成分，因此废弃的电气和电子设备、蓄电池和普通电池可能会对环境和人体健康产生负面影响。请勿将电气和电子工具或电池与家庭普通废弃物放在一起处置！
根据欧洲关于废弃电气电子设备、蓄电池和普通电池的指令及其国家层面的修订法案，废弃的电气设备、普通电池和蓄电池应当单独存放并递送至城市垃圾收集点，根据环保法规进行处置。
此规定由标有叉形标志的带垃圾桶符号表示。



保证声功率级别符合欧盟室外噪音指令。



声功率级别符合澳大利亚NSW噪音控制规定

用途

本机用于修剪草坪。

安全警告

重要安全注意事项

警告： 阅读所有警告和所有说明。不遵照以下警告和说明会导致电击、着火和 / 或严重伤害。

保存所有警告和说明书以备查阅。

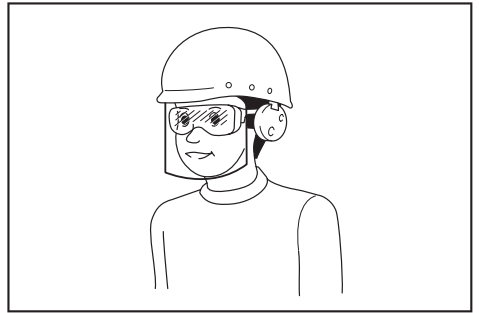
培训

1. 请仔细阅读说明。熟悉本修剪机的正确操控流程。
2. 切勿允许儿童或不熟悉这些使用须知的人员使用本修剪机。当地法规可能会限制操作人员的年龄。
3. 切勿在附近有人（特别是儿童）或宠物的情况下操作本修剪机。
4. 操作时要时刻谨记，如果给他人及其财产造成损失，操作者或用户要为此负责。
5. 应看管好儿童，勿让其玩耍本工具。

6. 身体状况 - 请勿在药品、酒精或其他接受医疗的情况下操作修剪机。

准备

1. 操作本修剪机时，务必穿戴厚实的鞋子和长裤。请勿在赤脚或穿着露趾凉鞋时操作本修剪机。避免穿着或佩戴宽松或带有绳带的衣服或首饰。它们可能会被卷入运动部件中。
2. 使用前，务必观察修剪机是否有损坏，保护罩或隔离罩是否缺失或错位。
3. 修剪草坪前确保作业区域内无其他人员。如有任何人进入作业区域，请停止修剪机。
4. 准备使用时才可锁定钥匙插入草坪机。
5. 使用电动工具时请始终佩戴护目镜以免伤害眼睛。护目镜须符合美国ANSI Z87.1、欧洲EN 166或者澳大利亚 / 新西兰的AS/NZS 1336的规定。在澳大利亚 / 新西兰，法律要求佩戴面罩保护脸部。



雇主有责任监督工具操作者和其他近工作区域人员佩戴合适的安全防护设备。

6. 操作之前，请仔细检查刀片或刀片螺栓上是否有裂缝或损坏。应立即更换有裂缝或损坏的刀片或刀片螺栓。
7. 修剪草坪前，请清除作业区域内的石块、铁丝、瓶子、骨头和大的树枝等异物，以防止人员受伤或损坏修剪机。
8. 修剪机刀片撞击异物会导致严重的人身伤害。每次修剪前，请务必仔细检查草坪并清除所有异物。
9. 观察有无孔洞、坑槽、鼓包、石头或其它隐藏的物体。地面不平会导致打滑和摔倒。高草丛会隐藏障碍物。
10. 请勿在雨中插入或拔出锁定钥匙。
11. 使用个人防护装置。始终佩戴护目镜。防护装置，诸如适当条件下使用防尘面具、防滑安全鞋、安全帽、听力防护等装置能减少人身伤害。

操作

1. 操作时手不要伸得太长。始终保持平衡。在斜坡上时，请确保立足稳固。操作时请行走，切勿跑动。
2. 停止修剪机并拔下锁定钥匙，确保所有运动部件已完全停止：
 - 放置修剪机时；
 - 清除堵塞物或疏通滑槽前；
 - 检查、清洁或处理机器前；
 - 击打到异物后。在重新启动并操作机器前，检查修剪机有无损坏并进行修理。
 - 修剪机开始异常振动时。
3. 在保护罩或隔离罩有损坏，或者安全装置（如火花挡板和 / 或草篮）未安装到位时，请勿操作修剪机。
4. 请避免在恶劣天气（尤其是雷电天气）条件下使用修剪机。
5. 操作修剪机时，请务必穿戴护目眼镜和结实的鞋子。
6. 仅可在光线充足或良好照明的情况下操作本修剪机。
7. 根据操作指示小心开启修剪机，并使脚远离刀片。
8. 小心避免修剪机刀片伤及脚和手。
9. 务必确保通风口无任何碎片。
10. 修剪斜面草坪时，切勿上下颠簸。在斜面上改变方向时，请务必小心谨慎。请勿修剪较陡的倾斜面。
11. 反转或向自身拉修剪机时，务必小心谨慎。
12. 如果必须倾斜修剪机以搬运修剪机通过非草坪表面，以及修剪机进出作业区域时，请停止刀片。
13. 除必须倾斜修剪机进行启动的情况外，请勿在开启电机时倾斜修剪机。需要倾斜修剪机时，切勿使倾斜度大于必要的程度，并仅提起离操作者较远的部分。将本修剪机放回地面时，务必将双手放在操作位置上。
14. 勿使手和脚靠近旋转部件或置于其下。请勿在任何时间与排出口成直线站立。
15. 请勿在修剪机开启时进行搬运。
16. 避免在湿草上操作本修剪机。
17. 请务必紧握手柄。
18. 搬动或握住修剪机时，请勿抓握外露的刀片或切割边。
19. 手和脚应远离旋转的刀片。注意 - 关闭修剪机后刀片仍会旋转。
20. 若发现有任何异常，请立即停止操作。关闭修剪机并拔下锁定钥匙。然后检查修剪机。
21. 如果草坪机具有切割高度调节功能，切勿在草坪机运转时调节切割高度。
22. 在穿过车道、人行道、道路或任何砾石覆盖的路面前，请释放开关拉杆并等待刀片停止旋转。在放置修剪机，捡取修剪路径上的异物或在任何可能分散注意力的情况下，请务必拔下锁定钥匙。
23. 如果修剪机撞击到异物，请执行以下步骤：
 - 停止修剪机，释放开关柄并等待刀片完全停止。
 - 拔下锁定钥匙并取出电池组。
 - 彻底检查修剪机有无损伤。
 - 如果刀片有任何损伤，请予以更换。重新启动并继续操作修剪机前，请修复任何损伤。
24. 请勿在站立在排出口前部时启动修剪机。
25. 如果修剪机开始异常振动（立即检查）
 - 检查损伤；
 - 更换或修复任何损坏部件；
 - 检查并拧紧松散的部件。
26. 严禁将排出的材料指向任何人。避免将材料排出至墙壁或障碍物处。材料可能会朝向操作者反弹。通过砾石面时，停止刀片。
27. 除非绝对需要，否则禁止向后拉修剪机。不得不从栅栏或其它类似障碍物处后拉修剪机时，移动前和移动期间要注意脚下和身后。
28. 拆下集草器前，先关闭电机并等待刀片完全停止。小心关机后刀片仍会旋转。
29. 在泥泞地面、潮湿坡道或湿滑的地方使用机器时，请注意立足稳固。
30. 避免在可能增加用户疲劳的恶劣环境中工作。
31. 请勿在能见度有限的恶劣天气下使用机器。否则可能会因视线较差导致跌倒或不正确的操作。
32. 请勿将机器浸入水坑中。
33. 当因下雨导致潮湿树叶或污垢粘附在吸嘴（通风窗）上时，请清除它们。
34. 请勿在雪中使用机器。
35. 如果割掉的草变湿，则其可能会堵塞在机器内部。定期检查机器状况，并在必要时清除粘附的草。
36. 操作机器时请注意管道和电线。

37. 请勿对此机器使用带线电源，例如电池连接转换器或者便携电源装置。此类电源电缆可能会阻碍操作并导致人员受伤。

保养和存放

1. 出于安全需要，请更换磨损或损坏的部件。仅使用原厂正品替换部件和附件。
2. 定期检查和保养修剪机。
3. 不使用时，将修剪机存放在儿童无法触及的地方。
4. 保证所有螺母、螺栓和螺丝都已拧紧，确保设备处于安全的工作状态。
5. 时常检查草篮是否有磨损或劣化。存放时，务必确保清空草篮。出于安全需要，请使用新的原厂替换草篮更换磨损的草篮。
6. 请仅使用本说明书中指定的正品刀片。
7. 调整修剪机时请小心谨慎，防止手指卷入移动刀片和修剪机的固定部件之间。
8. 时常检查刀片安装螺栓，确保紧固妥当。
9. 存放前，务必使修剪机充分冷却。
10. 请注意，在维修刀片时，即便已切断电源，刀片仍可以移动。
11. 严禁拆下或改动安全装置。定期检查是否正常运行。严禁干扰安全装置的预定功能或者降低其保护能力。
12. 请勿在雨天将机器置于室外无人看管。
13. 请勿用高压水清洗机器。
14. 清洗机器时，请务必取下电池和锁定钥匙并关闭电池盖，然后朝安装有刀片的机器底部冲水。
15. 存放机器时，避免直射阳光和淋雨，将其存放在不会变热或变潮的位置。
16. 在不会淋雨的位置执行检查或保养。
17. 使用机器后，清除粘附的污垢，并在存放前彻底干燥机器。根据季节或地区的不同，存在因结冰导致功能不良的可能性。

电池式工具使用和注意事项

1. 仅使用生产者规定的充电器充电。将适用于某种电池包的充电器用到其他电池包时可能会发生着火危险。
2. 仅使用配有专用电池包的电动工具。使用其他电池包可能会产生伤害和着火危险。
3. 当电池包不用时，将它远离其他金属物体，例如回形针、硬币、钥匙、钉子、螺钉或其他小金属物体，以防电池包一端与另一端连接。电池组端部短路可能会引起燃烧或着火。

4. 在滥用条件下，液体可能会从电池组中溅出；应避免接触。如果意外碰到液体，用水冲洗。如果液体碰到了眼睛，还寻求医疗帮助。从电池中溅出的液体可能会发生腐蚀或燃烧。
5. 不要使用损坏或改装过的电池包或工具。损坏或改装过的电池组可能呈现无法预测的结果，导致着火、爆炸或伤害。
6. 不要将电池包暴露于火或高温中。电池包暴露于火或高于 130 °C 的高温中可能导致爆炸。
7. 遵循所有充电说明。不要在说明书中指定的温度范围之外给电池包或电动工具充电。不正确或在指定的温度范围外充电可能会损坏电池和增加着火的风险。

电气和电池安全

1. 请勿将电池弃于火中。否则会引起电池爆炸。请查阅当地法规了解适当的特殊处理说明。
2. 请勿打开或拆解电池。溢出的电解质具有腐蚀性，可能会对眼睛或皮肤造成伤害。吞服则有致毒危险。
3. 请勿在雨中或潮湿的地方充电。
4. 勿在室外对电池充电。
5. 请勿用湿手操作充电器，包括充电器插头和充电器端子。
6. 请勿在雨中更换电池。
7. 请勿用水等液体打湿电池端子，或将电池浸于水中。请勿使电池淋雨，也不得在潮湿位置给电池充电、使用或存放电池。如果电池端子被打湿或有液体进入电池，则电池可能会短路，导致过热、起火或爆炸危险。
8. 从机器或充电器取下电池后，请务必在电池上安装电池盖并将其存放在干燥处。
9. 请勿用湿手更换电池。

维修

1. 让专业维修人员使用相同的备件维修电动工具。这将保证所维修的电动工具的安全。
2. 决不能维修损坏的电池包。电池包仅能由生产者或其授权的维修服务商进行维修。

请保留此说明书。

警告： 请勿为图方便或因对产品足够熟悉（由于重复使用而获得的经验）而不严格遵守相关产品安全规则。

使用不当或不遵循使用说明书中的安全规则会导致严重的人身伤害。

电池组的重要安全注意事项

1. 在使用电池组之前，请仔细阅读所有的说明以及（1）电池充电器，（2）电池，以及（3）使用电池的产品上的警告标记。
2. 切勿拆卸或改装电池组。否则可能引起火灾、过热或爆炸。
3. 如果机器运行时间变得过短，请立即停止使用。否则可能会导致过热、起火甚至爆炸。
4. 如果电解液进入您的眼睛，用清水将其冲洗干净并立即就医。否则可能会导致视力受损。
5. 请勿使电池组短路：
 - （1）请勿使任何导电材料碰触到端子。
 - （2）避免将电池组与其他金属物品如钉子、硬币等放置在同一容器内。
 - （3）请勿将电池组置于水中或使其淋雨。电池短路将产生大的电流，导致过热，并可能导致起火甚至击穿。
6. 请勿在温度可能达到或超过**50°C**（**122°F**）的场所存放以及使用工具 and 电池组。
7. 即使电池组已经严重损坏或完全磨损，也请勿焚烧电池组。电池组会在火中爆炸。
8. 请勿对电池组射钉，或者切削、挤压、抛掷、掉落电池组，又或者用硬物撞击电池组。否则可能引起火灾、过热或爆炸。
9. 请勿使用损坏的电池。
10. 本工具附带的锂离子电池需符合危险品法规要求。

第三方或转运代理等进行商业运输时，应遵循包装和标识方面的特殊要求。有关运输项目的准备作业，咨询危险品方面的专业人士。同时，请遵守可能更为详尽的国家法规。

请使用胶带保护且勿遮掩表面的联络信息，并牢固封装电池，使电池在包装内不可动。

11. 丢弃电池组时，需将其从工具上卸下并在安全地带进行处理。关于如何处理废弃的电池，请遵循当地法规。
12. 仅将电池用于Makita（牧田）指定的产品。将电池安装至不兼容的产品会导致起火、过热、爆炸或电解液泄漏。
13. 如长时间未使用工具，必须将电池从工具内取出。
14. 使用工具期间以及使用工具之后，电池组温度可能较高易引起灼伤或低温烫伤。处理高温电池组时请小心操作。
15. 在使用工具后请勿立即触碰工具的端子，否则可能引起灼伤。
16. 避免锯屑、灰尘或泥土卡入电池组的端子、孔口和凹槽内。否则可能导致工具或电池组性能下降或故障。
17. 除非工具支持在高压电源线路附近使用，否则请勿在高压电源线路附近使用电池组。否则可能导致工具或电池组故障或失常。
18. 确保电池远离儿童。

请保留此说明书。

小心： 请仅使用Makita（牧田）原装电池。使用非Makita（牧田）原装电池或经过改装的电池可能会导致电池爆炸，从而造成火灾、人身伤害或物品受损。同时也会导致牧田工具和充电器的牧田保修服务失效。

保持电池最大使用寿命的提示

1. 在电池组电量完全耗尽前及时充电。发现工具电量低时，请停止工具操作，并给电池组充电。
2. 请勿对已充满电的电池组重新充电。过度充电将缩短电池的使用寿命。
3. 请在**10 °C - 40 °C**（**50 °F - 104 °F**）的室温条件下给电池组充电。请在灼热的电池组冷却后再充电。
4. 不使用电池组时，请将其从工具或充电器上拆除。
5. 如果电池组长时间（超过六个月）未使用，请给其充电。

装配

⚠警告：对修剪机进行任何装配操作前，请务必按下锁定钥匙，并取出电池组。未按下锁定钥匙并取出电池组可能会造成意外启动，导致严重的人身伤害。

⚠警告：仅可在完整装配后启动修剪机。部分装配的情况下操作机器，将可能因意外启动而导致严重的人身伤害。

安装手柄

注意：安装手柄时，勿使导线夹在手柄之间的部件中。如导线破损，修剪机开关则可能无法工作。

1. 将下部手柄内的孔和修剪机身上的孔对齐，然后暂时拧紧4个螺栓。

▶ **图片1：** 1. 下部手柄 2. 螺栓

2. 使用套筒扳手13将第1步中暂时拧紧的4个螺栓牢固拧紧。

3. 将下部手柄上的孔和上部手柄上的孔对齐，然后从内侧插入螺栓，再使用套筒扳手13从外侧拧紧螺母。按照相同的程序对另一侧进行操作。

▶ **图片2：** 1. 螺栓 2. 下部手柄 3. 螺母 4. 孔 5. 上部手柄

⚠小心：牢握上部手柄以免草坪机从手中滑落。否则手柄可能会跌落导致人身伤害。

4. 将固定架安装至手柄。

将固定架上的凸起部分与手柄上的孔对齐，以确保凸起部分嵌入孔内。按图中所示方法放置导线。

▶ **图片3：** 1. 导线 2. 固定架

拆卸护根装置

1. 打开后盖。

▶ **图片4：** 1. 后盖

2. 在按住按扣的同时，拆下护根装置。

▶ **图片5：** 1. 按扣 2. 护根装置

安装或拆下草篮

请按照以下步骤安装草篮。

1. 打开后盖。

▶ **图片6：** 1. 后盖

2. 如图所示，握住草篮把手，然后将草篮钩挂到修剪机机身的杆上。

▶ **图片7：** 1. 杆 2. 把手 3. 草篮

如需拆下草篮，请先打开后盖，然后握住把手拆下草篮。

安装护根装置

1. 打开后盖，取下草篮。

▶ **图片8：** 1. 后盖 2. 草篮

2. 向下按住按扣装上护根装置，然后松开按扣以锁定护根装置。

▶ **图片9：** 1. 按扣 2. 护根装置

功能描述

安装或拆卸电池组

⚠小心：安装或拆卸电池组之前，请务必关闭机器电源。

⚠小心：安装或拆卸电池组时，请握紧机器和电池组。否则它们可能从您的手中滑落，导致机器和电池组受损，甚至造成人身伤害。

⚠小心：使用前务必锁紧电池盖。以免泥土、灰尘或有水进入，使产品或电池组受损。

⚠小心：务必完全装入电池组，直至看不见红色指示灯为止。否则，它可能会从机器中意外脱落，从而造成自身或他人受伤。

⚠小心：请勿强行安装电池组。如果电池组难以插入，可能是插入方法不当。

注：仅安装单个电池组时，机器无法工作。

安装电池组；

1. 扣动锁定杆，然后打开电池盖。

▶ **图片10：** 1. 电池盖 2. 锁定杆

2. 将电池组上的舌簧与机器上的槽对齐，然后滑动电池组，直到电池组被锁定到位并发出卡嗒声为止。

▶ **图片11：** (1) 电池端口1 (2) 电池端口2 (3) 电池组

注：将至少2个电池组安装至电池端口1或电池端口2上。

3. 在图示位置将锁定钥匙插入到底。

▶ **图片12：** 1. 锁定钥匙

4. 关闭电池盖并推动直至其与锁定杆扣合。

取出电池组：

1. 扣动锁定按钮，然后打开电池盖。
2. 滑动电池组前侧的按钮，同时将电池组从机器中抽出。
3. 拔出锁定钥匙。
4. 关闭电池盖。

切换电池组

► 图片13： 1. 电池选择开关

本机每次工作使用2个电池组。最多可以安装4个电池组。操作机器之前，请旋转电池选择开关以选择电池端口1或电池端口2。

注： 若只对机器安装2个电池组，请务必使用电池选择开关来选择安装有电池组的电池端口。

机器 / 电池保护系统

本机器配备有机器 / 电池保护系统。该系统可自动切断电机电源以延长机器和电池使用寿命。作业时，如果机器或电池处于以下任一情况，工具将会自动停止运转：

过载保护

若电池的运行导致电流异常高时，机器会自动停止运转，并且主电源指示灯将呈绿色闪烁。在这种情况下，请关闭机器并停止导致机器过载的应用程序。然后开启机器重新启动。

过热保护

机器或电池过热时，机器会自动停止运转，并且主电源指示灯将呈红色亮起。在这种情况下，请待机器和电池冷却后再重新开启机器。

过放电保护

电池电量不足时，机器会自动停止运转，并且主电源指示灯将呈红色闪烁。在此情况下，请从机器上取出电池并给电池组充电，或更换完全充满电的电池组。

显示电池的剩余电量

仅限带指示灯的电池组

► 图片14： 1. 指示灯 2. CHECK（查看）按钮

按电池组上的CHECK（查看）按钮可显示电池剩余电量。指示灯将亮起数秒。

指示灯			剩余电量
■ 点亮	□ 熄灭	▧ 闪烁	
■ ■ ■ ■			75%至100%
■ ■ ■ □			50%至75%
■ ■ □ □			25%至50%
■ □ □ □			0%至25%
▧ □ □ □			给电池充电。
■ ■ □ □ ↑ ↓ □ □ ■ ■			电池可能出现故障。

注： 在不同的使用条件及环境温度下，指示灯所示电量可能与实际情况略有不同。

注： 当电池保护系统启动时，第一个（最左侧）指示灯将闪烁。

控制面板

控制面板上有主电源开关、模式切换按钮和电池剩余电量指示灯。

► 图片15： 1. 电池指示灯 2. 模式切换指示灯 3. 主电源指示灯 4. CHECK（查看）按钮 5. 模式切换按钮 6. 主电源开关

主电源开关

警告： 不使用时，务必关闭主电源开关。

按主电源开关打开机器。主电源指示灯呈绿色点亮。再次按主电源开关关闭机器。

注： 如果主电源指示灯呈红色亮起或红色 / 绿色闪烁，请参阅机器 / 电池保护系统的说明。






注： 本机器采用自动关机功能。若在打开主电源开关后的一段时间内，未扣动开关柄和驱动杆（若已配置），为避免意外启动，主电源开关将自动关闭。

模式切换按钮

您可以按模式切换按钮来切换工作模式。打开机时，机器在正常模式下启动。按模式切换按钮时，机器切换至降噪模式，并且模式切换指示灯呈绿色亮起。在降噪模式中，可以降低割草时的噪音。再次按模式切换按钮时，机器恢复到正常模式。

显示电池的剩余电量

按CHECK（查看）按钮可显示电池剩余电量。各个电池有与之相对应的电池指示灯。

电池指示灯状态		剩余的 电池电量
 亮起	 熄灭	
		50% - 100%
		20% - 50%
		0% - 20%

注： 电池剩余电量指示灯仅供参考。实际电池电量可能因使用条件而异。

注： 在按CHECK（查看）按钮查看剩余电池电量之前，请先将机器停止。

开关操作

警告： 在安装电池组之前，请务必检查开关柄是否能扣动自如，松开时能否返回至原位。若机器上的开关无法正常工作，将可能导致机器失控，并造成严重的人身伤害。

注： 在未按下开关按钮时，即便已扣动开关柄，修剪机也不会启动。

注： 试图一次修剪过长或过于浓密的草可能会导致修剪机因过载而无法启动。在这种情况下请调高修剪高度。

本修剪机配备有锁定钥匙和手柄开关。如果您注意到锁定钥匙或开关有异常，请立即停止操作，并将工具交由最近的Makita（牧田）授权维修服务中心进行检查。

1. 安装电池组。插入锁定钥匙，然后关闭电池盖。

2. 转动电池选择开关来选择用于操作的电池组。

3. 按下主电源开关。

4. 按住开关按钮的同时，向自身拉开手柄。电机启动运转时即释放开关按钮。

► **图片16:** 1. 开关按钮 2. 开关柄

注： 如果未插入锁定钥匙，则在扣动开关柄时电源指示灯呈绿色闪烁。

5. 扣住开关柄的同时，向前推动驱动杆并保持，以驱动后轮。

► **图片17:** 1. 驱动杆

注： 您可以通过向前推动驱动杆并在不拉动开关柄的情况下按住它以驱动后轮。

6. 释放驱动杆和开关柄以停止机器。

调节修剪高度

警告： 调节修剪高度时，切勿使手和腿置于修剪机机身之下。

警告： 操作前请务必确保调节柄正确置于凹槽中。

您可在20 mm至100 mm范围内调节修剪高度。

取下锁定钥匙，然后朝草坪机机身外扣动修剪高度调节柄，并将其移至所需的修剪高度。

► **图片18:** 1. 修剪高度调节柄

下表展示了修剪机机身编号与修剪高度近似值的对应关系。

编号	修剪高度
1	20 mm
2	26 mm
3	32 mm
4	39 mm
5	47 mm
6	55 mm
7	63 mm
8	74 mm
9	86 mm
10	100 mm

一只手握住前把手或下部手柄，另一只手移动修剪高度调节柄。

► **图片19:** 1. 修剪高度调节柄 2. 下部手柄 3. 前把手

注： 仅可将修剪高度数值作为参考。草坪和地面的状况会使草坪高度与设定的高度略有不同。

注： 请在不显眼的位置进行测试修剪以获得理想的修剪高度。

草量指示器

草量指示器显示割草量。如草篮未满，刀片运行时指示器处于悬浮状态。

► **图片20：** 1. 草量指示器

如草篮即将装满，刀片运行时指示器处于非悬浮状态。在这种情况下，请立即停止操作并倒空草篮。

► **图片21：** 1. 草量指示器

注： 指示器仅为粗略指示。视草篮内部的情况而定，指示器可能无法正常操作。

调节把手高度

⚠️小心： 取下螺栓前，务必握紧上部手柄。否则手柄可能会跌落导致人身伤害。

手柄有两个高度调节档位。

1. 使用套筒扳手**13**拆下下部手柄的上部螺栓，然后拧松下部螺栓。

► **图片22：** 1. 上部螺栓 2. 下部螺栓

2. 调节把手高度，然后将上部和下部螺栓牢固拧紧。

调节行驶速度

► **图片23：** 1. 变速杆

行驶速度可通过变速杆进行调节。若要降低速度，请将拉杆向自身方向拉，若要提高速度，则将拉杆向前旋转。

使用护根装置

护根装置会使切割的草屑返回到地面上，无需使用草篮收集草屑。操作带护根装置的机器时，务必取下草篮。

注意： 使用带护根装置的机器时，务必确认草的高度不小于**30mm**或者切割长度不超过**15mm**。

► **图片24：** (1) 30mm或以上 (2) 15mm或以下

使用后排放

使用后排放可将切割的草屑从机器后侧排放到地面，而无需用草篮收集草屑。使用后排放操作机器时，请务必取下草篮和护根装置，然后关闭后盖。

电子功能

本机器配备了电子功能以提高操作便利性。

- 刀片恒速旋转控制
为获得恒速而进行的电子速度控制。即使在有负载的情况下亦可保持旋转速度恒定，从而可实现良好的磨光效果。
- 移动时软启动
软启动功能可最小化启动时的震动，让机器平稳启动。
- 电动制动器
本机配备有电动制动器装置。释放开关柄后，若机器始终无法快速停止修剪机刀片，请将机器交由**Makita**（牧田）授权的维修服务中心进行维修。

操作

修剪

⚠️警告： 开始修剪操作前，请清除修剪区域内的树枝和石块。此外，还要事先清除修剪区域内的任何杂草。

⚠️警告： 操作修剪机前，请务必佩带带有侧面罩的护目镜或安全眼镜。

⚠️小心： 如果割掉的草或异物堵塞在草压机内部，请务必取下锁定钥匙和电池组并在清除草和异物前佩戴手套。

注意： 此机器仅作修剪草坪之用。请勿使用此机器修剪杂草。

► **图片25**

修剪草坪时，务必双手牢牢握住把手。修剪速度建议为每10秒7至14米左右。

► **图片26**

前轮脚的中心线用作修剪宽度的参照线。以这两条中心线为参照进行长条形修剪。修剪下一行时，从上一次修剪宽度的1/2至1/3处继续修剪，以均匀修剪草坪。

► **图片27：** 1. 修剪宽度 2. 重叠区域 3. 中心线

每次修剪都要改变一次修剪方向，以免草坪纹路固定朝向一个方向。

► 图片28

定时检查草篮中的草。在其已满前清空。每次定时检查前，请务必停止修剪机，并拔出锁定钥匙和取下电池组。

注意：在草篮已满的情况下使用修剪机，会有碍于刀片旋转并给电机带来额外负载，这可能会导致工具破裂。

修剪长草草坪

请勿试图一次性修剪较长的草。相反，请分阶段修剪草坪。可间隔一天或两天进行修剪，直至草坪高度统一。

► 图片29

注：一次性将较长的草修剪得比较短，可能会导致草枯萎。切割下来的草也可能会堵塞修剪机机身内部。

清空草篮

警告：为降低意外风险，请定期检查草篮是否有损伤或强度减弱。在必要时予以更换。

1. 松开开关柄和驱动杆。
2. 拔出锁定钥匙。
3. 打开后盖，握住手柄取出草篮。

► 图片30: 1. 后盖 2. 手柄 3. 草篮

4. 清空草篮。

保养

警告：在存放、搬运草坪机或尝试执行检查或保养前，请务必拔出锁定钥匙并取出电池组。

警告：修剪机不使用时，请拔出锁定钥匙。将锁定钥匙存于儿童接触不到的安全位置。

警告：进行检查和保养操作时，请佩戴手套。

警告：执行检查或保养时，请务必佩带有侧面罩的护目镜或安全眼镜。

注意：切勿使用汽油、苯、稀释剂、酒精或类似物品清洁工具。否则可能会导致工具变色、变形或出现裂缝。

为了保证产品的安全与可靠性，维修、任何其他维修保养或调节需由Makita（牧田）授权的或工厂维修服务中心完成。务必使用Makita（牧田）的替换部件。

保养

1. 拔出锁定钥匙并取出电池组，然后关闭电池盖。
2. 侧面放置修剪机，清除聚集在修剪机挡板内部中的缠绕青草。
3. 朝安装有刀片的机器底部冲水。

注意：请勿用高压水清洗机器。

4. 检查并确保所有螺母、螺栓、旋钮、螺丝和紧固装置等都紧固良好。
5. 检查移动部件是否有损伤、破裂和磨损。已损坏或遗失的部件应进行维修或更换。
6. 将草坪机存于儿童接触不到的安全位置。

注意：请勿将水倒入图示区域。将水倒入电机单元可能会导致机器故障。

► 图片31: 1. 不得倒水的区域

搬运草坪机

搬运草坪机时，请按图中所示由两人握住前把手和后把手。

► 图片32: 1. 前把手 2. 后把手

存放

请将修剪机存于室内清凉、干燥和加锁的地方。请勿将修剪机和充电器存于温度可能达到或超过40°C的场所。

拆卸或安装修剪机刀片

警告：释放开关后，刀片仍会旋转数秒钟。切勿在刀片完全停止前进行任何操作。

警告：拆卸或安装刀片时，请务必拔出锁定钥匙并取出电池组。未拔出锁定钥匙并取出电池组可能会造成严重的人身伤害。

警告：处理刀片时，务必佩戴手套。

拆下草坪机刀片

1. 侧面放置修剪机，使得修剪高度调节柄位于上侧。
2. 要锁定刀片时，请将销钉插入修剪机身上的孔。
3. 使用套筒扳手17逆时针转动螺栓。
▶ **图片33:** 1. 修剪机刀片 2. 销钉 3. 套筒扳手
4. 拆下螺栓，然后拆下修剪机刀片。
▶ **图片34:** 1. 刀片支架 2. 修剪机刀片 3. 螺栓 4. 凸起部分

注意： 在安装修剪机刀片时，确保刀片支架上的凸起部分嵌入修剪机刀片的孔内。

安装草坪机刀片

- ⚠ **警告：** 安装修剪机刀片时，请小心谨慎。确保其具有正确的上部 / 下部朝向。
- ⚠ **警告：** 顺时针拧紧螺栓以固定刀片。
- ⚠ **警告：** 确保修剪机刀片和所有固定件均已正确安装和紧固。
- ⚠ **警告：** 更换刀片时，务必遵循本说明书中的指示。

注意： 在安装修剪机刀片后，拆下修剪机身上的销钉。

要安装修剪机刀片时，可按与拆卸时相反的步骤进行操作。

故障排除

请求维修前，请先自行检查。如果您发现本手册中有未作说明的问题，请勿尝试拆卸机器。请联络Makita（牧田）授权维修服务中心，使用Makita（牧田）的替换部件进行修复。

异常状态	可能原因（故障）	纠正措施
修剪机不启动。	未安装两个电池组。	安装两组充满电的电池组。
	电池故障（欠压）	请给电池组充电。如果充电无效，则更换电池组。
	未插入锁定钥匙。	插入锁定钥匙。
	电池选择开关的位置不当。	使用电池选择开关选择安装有电池组的电池端口。
使用一段时间后电机不旋转。	电池电量低。	请给电池组充电。如果充电无效，则更换电池组。
	切割高度过低。	增加切割高度。
	切割的草屑阻塞在修剪机内。	清除修剪机中阻塞的草屑。
电机未达到最大转速。	电池组安装不当。	按本手册所述安装电池组。
	电池电力下降。	请给电池组充电。如果充电无效，则更换电池组。
	驱动系统未正常工作。	请到当地授权的维修服务中心进行维修。
修剪机刀片不旋转： ⇒ 请立即停止修剪机！	异物（如树枝）夹入刀片旁。	清除异物。
	驱动系统未正常工作。	请到当地授权的维修服务中心进行维修。
异常振动： ⇒ 请立即停止修剪机！	刀片不平衡，过度或不均匀磨损。	更换刀片。

选购附件

⚠小心： 这些附件或装置专用于本说明书所列的**Makita（牧田）**机器。若使用其他附件或装置，则可能存在人身伤害风险。仅可将附件或装置用于规定目的。

如您需要了解更多关于这些选购附件的信息，请咨询当地的**Makita（牧田）**维修服务中心。

- 修剪机刀片
- **Makita（牧田）**原装电池和充电器

注： 本列表中的一些部件可能作为标准配件包含于产品包装内。它们可能因销往国家之不同而异。

SPESIFIKASI

Model:		DLM533
Lebar pemotong (diameter pisau)		534 mm
Kecepatan tanpa beban		2.300 min ⁻¹
Kecepatan maksimal		2.800 min ⁻¹
Nomor komponen pisau pemotong pengganti	Pisau pemotong lurus	191D52-7 / 191W87-2
Dimensi (P x L x T)		P: 1.655 mm hingga 1.740 mm L: 590 mm T: 990 mm hingga 1.100 mm
Kecepatan jalan		2,5 - 5,0 km/h
Tegangan terukur		D.C. 36 V
Berat bersih	Ketika pisau pemotong lurus terpasang	42,6 - 46,4 kg
Derajat perlindungan		IPX4

- Karena kesinambungan program penelitian dan pengembangan kami, spesifikasi yang disebutkan di sini dapat berubah tanpa pemberitahuan.
- Spesifikasi dapat berbeda dari satu negara ke negara lainnya.
- Berat alat mungkin berbeda tergantung perangkat tambahan yang dipasang, termasuk kartrid baterai. Kombinasi alat terberat dan teringan, sesuai Prosedur EPTA 01/2014, ditunjukkan pada tabel.

Kartrid baterai yang dapat digunakan

BL1815N / BL1820 / BL1820B / BL1830 / BL1830B / BL1840 / BL1840B / BL1850 / BL1850B / BL1860B






- Beberapa kartrid baterai yang tercantum di atas mungkin tidak tersedia, tergantung wilayah tempat tinggal Anda.

⚠️ PERINGATAN: Hanya gunakan kartrid baterai yang tercantum di atas. Penggunaan kartrid baterai lain dapat menimbulkan risiko cedera dan/atau kebakaran.

⚠️ PERINGATAN: Jangan menggunakan suplai daya berkabel seperti adaptor baterai atau paket daya portabel dengan mesin ini. Kabel suplai daya dapat menghalangi pengoperasian dan mengakibatkan cedera pribadi.

Simbol

Berikut ini adalah simbol-simbol yang dapat digunakan pada peralatan ini. Pastikan Anda memahami arti masing-masing simbol sebelum menggunakan peralatan.

	Berhati-hatilah dan pusatkan perhatian Anda.
	Baca petunjuk penggunaan.
	Bahaya; hati-hati terhadap objek yang terlempar.
	Jarak antara peralatan dan orang-orang di sekitar harus sedikitnya 15 m.
	Jangan letakkan tangan dan kaki Anda di dekat pisau di bawah pemotong rumput. Pisau masih tetap berputar setelah motor dimatikan.



Lepaskan kunci pengaman sebelum memeriksa, menyesuaikan, membersihkan, memperbaiki, meninggalkan dan menyimpan mesin pemotong rumput.



Bahaya listrik. Kontak dengan air dapat menyebabkan sengatan listrik.



Jangan menuangkan air.



Hanya untuk negara-negara UE
Akibat adanya komponen berbahaya dalam peralatan, limbah peralatan listrik dan elektronik, aki dan baterai dapat memiliki dampak negatif pada lingkungan dan kesehatan manusia.

Jangan buang peralatan listrik dan elektronik atau baterai bersama limbah rumah tangga!

Sesuai dengan Petunjuk Eropa tentang limbah peralatan listrik dan elektronik dan tentang aki dan baterai serta limbah aki dan baterai, serta penyesuaiannya terhadap undang-undang nasional, limbah peralatan listrik, baterai dan aki harus disimpan secara terpisah dan dikirim ke tempat pengumpulan terpisah untuk sampah kota, beroperasi sesuai dengan peraturan tentang perlindungan lingkungan.

Hal ini ditunjukkan dengan simbol tempat sampah bersilang yang ditempatkan pada peralatan.



Level kekuatan suara terjamin sesuai dengan Petunjuk Kebisingan Di Luar Ruang Uni Eropa.



Level kekuatan suara sesuai dengan Peraturan Kontrol Kebisingan NSW Australia

Penggunaan

Mesin ini digunakan untuk memotong rumput.

PERINGATAN KESELAMATAN

PETUNJUK KESELAMATAN PENTING

⚠️ PERINGATAN: Bacalah semua peringatan keselamatan dan semua petunjuk. Kelalaian mematuhi peringatan dan petunjuk dapat menyebabkan sengatan listrik, kebakaran dan/atau cedera serius.

Simpanlah semua peringatan dan petunjuk untuk acuan di masa depan.

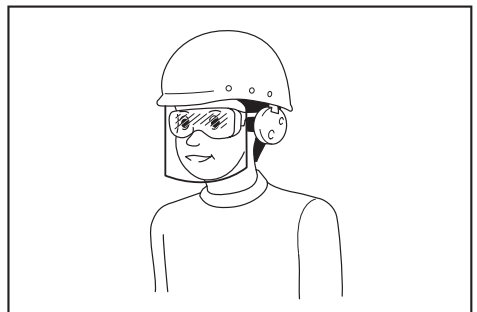
Pelatihan

1. Baca petunjuk dengan saksama. Pahami kontrol dan cara penggunaan pemotong yang benar.
2. Jangan biarkan pemotong rumput ini digunakan oleh anak-anak atau orang yang tidak terbiasa menggunakannya. Peraturan setempat mungkin membatasi usia operator.
3. Jangan gunakan pemotong jika ada orang, khususnya anak-anak, atau binatang peliharaan di dekatnya.

4. Selalu ingat bahwa operator atau pengguna bertanggung jawab atas kecelakaan atau bahaya yang terjadi pada orang-orang lain atau propertinya.
5. Awasi anak-anak untuk memastikan mereka tidak bermain-main dengan pemotong rumput ini.
6. Kondisi fisik - Jangan mengoperasikan pemotong rumput saat Anda dalam pengaruh obat-obatan terlarang, alkohol, atau obat-obatan lainnya.

Persiapan

1. Saat mengoperasikan pemotong, selalu kenakan alas kaki dan celana panjang yang memadai. Jangan mengoperasikan pemotong rumput tanpa mengenakan alas kaki, atau hanya dengan mengenakan sandal. Hindari memakai pakaian atau perhiasan yang longgar atau yang memiliki gantungan atau ikatan. Bagian-bagian tersebut mungkin saja tersangkut pada komponen mesin yang bergerak.
2. Sebelum digunakan, selalu periksa secara visual pemotong untuk menemukan pengaman atau pelindung yang rusak, hilang atau salah ditempatkan.
3. Pastikan tidak ada orang lain di sekitar sebelum mulai memotong rumput. Hentikan pemotong apabila ada orang yang masuk ke area kerja.
4. Jangan masukkan kunci pengaman pada pemotong sampai siap digunakan.
5. Selalu kenakan kacamata pelindung untuk melindungi mata dari cedera saat menggunakan mesin listrik. Kacamata harus sesuai dengan ANSI Z87.1 di Amerika Serikat, EN 166 di Eropa, atau AS/NZS 1336 di Australia/Selandia Baru. Di Australia/Selandia Baru, secara hukum Anda juga diwajibkan mengenakan pelindung wajah untuk melindungi wajah Anda.



Menjadi tanggung jawab atasan untuk menerapkan penggunaan alat pelindung keselamatan yang tepat bagi operator mesin dan orang lain yang berada di area kerja saat itu.

6. Sebelum dioperasikan, periksa mata pisau atau baut pisau dengan saksama untuk memastikan tidak ada bagian yang retak atau rusak. Segera ganti mata pisau atau baut pisau yang retak atau rusak.

7. Untuk menghindari cedera perseorangan atau kerusakan pada pemotong, singkirkan benda-benda asing seperti batu, kawat, botol, tulang, dan tongkat besar dari area kerja sebelum mulai memotong rumput.
8. Objek yang terpelekat dari mata pisau pemotong dapat menyebabkan cedera berat pada manusia. Rumput harus diperiksa dengan cermat dan dibersihkan dari segala objek setiap kali sebelum mulai memotong.
9. Perhatikan lubang, bekas roda, gundukan, batu, atau benda tersembunyi lainnya. Medan yang tidak rata dapat menyebabkan kecelakaan terpelekat dan jatuh. Rumput yang tinggi dapat menutupi penghalang.
10. Jangan masukkan atau lepaskan kunci pengaman saat hujan.
11. **Gunakan alat pelindung diri. Selalu gunakan pelindung mata.** Peralatan pelindung seperti masker debu, sepatu pengaman anti-selip, helm pengaman, atau pelindung telinga yang digunakan untuk kondisi yang sesuai akan mengurangi risiko cedera badan.
10. Untuk area miring, lakukan pemotongan melintasi permukaan bagian miringnya, bukan naik dan turun. Perhatikan pada saat mengubah arah di area miring. Jangan memotong secara berlebihan di area miring yang curam.
11. Sangat berhati-hatilah saat memundurkan atau menarik pemotong ke arah Anda.
12. Hentikan pisau(-pisau) jika pemotong harus digerakkan dengan cara dimiringkan saat melintasi permukaan selain rumput, serta saat Anda memindahkan pemotong ke dan dari area kerja.
13. Jangan memiringkan pemotong saat menyalakan motornya, kecuali jika pemotong harus dimiringkan saat dinyalakan. Dalam hal ini, jangan memiringkan pemotong secara berlebihan, dan angkatlah hanya bagian yang semestinya, yaitu yang berjauhan dengan operator. Selalu pastikan kedua tangan berada pada posisi pengoperasian sebelum mengembalikan pemotong ke tanah.

Pengoperasian

1. **Bekerjalah sesuai jangkauan Anda. Jaga keseimbangan yang tepat. Pastikan pijakan sempurna saat berdiri di area miring. Berjalanlah, jangan berlari.**
2. Hentikan pemotong dan lepaskan kunci pengaman, dan pastikan semua bagian yang bergerak telah berhenti sepenuhnya:
 - saat Anda meninggalkan pemotong,
 - sebelum membersihkan sumbatan atau saat membersihkan saluran yang tersumbat
 - sebelum memeriksa, membersihkan atau menggunakan pemotong,
 - setelah membentur benda asing. Periksa apakah ada kerusakan pada pemotong, dan lakukan perbaikan sebelum kembali menyalakan dan mengoperasikannya,
 - saat pemotong mulai bergetar secara abnormal.
3. Jangan pernah mengoperasikan pemotong dengan mengenakan pengaman atau pelindung yang cacat, atau tanpa memasang perangkat pengaman, misalnya deflektor dan/atau keranjang rumput.
4. Hindari menggunakan pemotong saat kondisi cuaca buruk, terutama jika terdapat risiko adanya sambaran petir.
5. Gunakan pelindung mata dan sepatu dengan bahan kulit saat mengoperasikan pemotong.
6. Gunakan mesin pemotong hanya di siang hari atau dalam kondisi cahaya mencukupi.
7. Nyalakan pemotong perlahan sesuai instruksi, dan jaga jarak kaki Anda dari mata pisau (-pisau).
8. Berhati-hatilah terhadap cedera pada kaki dan tangan karena pisau pemotong.
9. Selalu pastikan saluran ventilasi bebas dari serpihan.
14. Jangan letakkan tangan atau kaki di dekat atau di bawah bagian yang berputar. Selalu jaga jarak dari lubang pembuangan.
15. Jangan memindahkan pemotong selama masih dalam kondisi menyala.
16. Hindari penggunaan pemotong pada rumput basah.
17. Selalu pegang kuat-kuat pada bagian pegangannya.
18. Saat mengangkat atau memegang pemotong rumput, jangan menggenggam mata pisau pemotong atau tepian pemotong yang terlihat.
19. Jauhkan tangan dan kaki dari mata pisau yang berputar. Perhatikan - Pisau masih akan bergerak perlahan setelah sakelar mesin dimatikan.
20. Segera hentikan pengoperasian jika Anda merasa ada yang tidak normal. Matikan pemotong dan cabut kunci pengamannya. Kemudian, periksa pemotong.
21. Jangan pernah mencoba menyetel ketinggian pemotongan ketika mesin sedang bekerja apabila terdapat fitur tersebut pada mesin.
22. Lepaskan tuas sakelar dan tunggu hingga mata pisau berhenti berputar sebelum melintasi area parkir, area pejalan kaki, jalan, dan area-area lain yang tertutup kerikil. Selain itu, cabut kunci pengaman jika Anda akan meninggalkan pemotong, mengambil atau menyingkirkan sesuatu di sekitar Anda, atau melakukan hal-hal lain yang dapat mengalihkan perhatian dari pekerjaan Anda.
23. Jika pemotong membentur benda asing, ikuti langkah-langkah berikut:
 - Hentikan pemotong, lepaskan tuas sakelar dan tunggu hingga mata pisau berhenti sepenuhnya.
 - Lepas kunci pengaman dan kartrid baterai.
 - Periksa mesin secara menyeluruh untuk memastikan apakah ada bagian yang rusak.

- Gantilah mata pisau jika rusak. Perbaiki segala kerusakan sebelum melanjutkan menyalakan mesin dan melanjutkan pengoperasian pemotong rumput.
- 24. Jangan menyalakan pemotong saat Anda berdiri di depan lubang pembuangan.
- 25. Jika pemotong tiba-tiba bergetar secara tidak biasa (segera periksa)
 - periksa apakah ada kerusakan,
 - ganti atau perbaiki semua komponen yang rusak,
 - periksa dan kencangkan semua komponen yang kendur.
- 26. Jangan pernah mengarahkan bahan yang dikeluarkan ke siapa pun. Hindari mengeluarkan bahan ke arah dinding atau penghalang. Bahan dapat memantul kembali ke arah operator. Hentikan pisau saat melewati permukaan berkerikil.
- 27. Jangan tarik pemotong ke belakang kecuali jika benar-benar diperlukan. Ketika Anda terpaksa untuk menarik pemotong rumput dari pagar atau penghalang serupa lainnya, lihat ke bawah dan ke belakang sebelum dan saat bergerak ke belakang.
- 28. Matikan motor dan tunggu sampai pisau berhenti sepenuhnya sebelum melepas pengangkap rumput. Berhati-hatilah karena pisau masih berputar setelah dimatikan.
- 29. Ketika Anda menggunakan mesin di permukaan berlumpur, lereng basah, atau tempat yang licin, perhatikan pijakan Anda dengan saksama.
- 30. Hindari bekerja di lingkungan yang buruk yang dapat mengakibatkan kelelahan berlebih pada pengguna.
- 31. Jangan menggunakan mesin di cuaca yang buruk di mana jarak penglihatan menjadi terbatas. Jika Anda tidak mengikutinya, Anda dapat terjatuh atau pengoperasian dapat salah akibat jarak penglihatan yang rendah.
- 32. Jangan biarkan mesin terendam genangan air.
- 33. Saat daun yang basah atau kotoran menempel pada mulut penyedot (jendela ventilasi) akibat hujan, bersihkan.
- 34. Jangan menggunakan mesin dalam kondisi bersalju.
- 35. Jika rumput yang dipotong basah, rumput akan cenderung menyumbat mesin. Periksa kondisi mesin secara berkala, dan bersihkan rumput yang menempel bila perlu.
- 36. Saat mengoperasikan mesin, perhatikan perpipaan dan perkabelan.
- 37. Jangan menggunakan suplai daya berkabel seperti adaptor baterai atau paket daya portabel dengan mesin ini. Kabel suplai daya dapat menghalangi pengoperasian dan mengakibatkan cedera pribadi.

Perawatan dan penyimpanan

1. Ganti bagian yang aus atau rusak untuk menjamin keamanan. Gunakan hanya komponen dan aksesoris pengganti yang asli.
2. Periksa dan rawat pemotong secara rutin.

3. Saat tidak digunakan, simpan mesin pemotong jauh dari jangkauan anak-anak.
4. Kencangkan semua mur, baut, dan sekrup pengencang untuk memastikan bahwa mesin aman untuk digunakan.
5. Sering-seringlah memeriksa keranjang rumput untuk memastikan tidak ada bagian yang aus atau cacat. Untuk penyimpanan, selalu pastikan keranjang rumput kosong. Untuk menjamin keamanan, ganti keranjang rumput yang aus dengan komponen pengganti dari pabrik.
6. Gunakan hanya mata pisau asli dari pabrik yang ditentukan dalam buku petunjuk ini.
7. Berhati-hatilah saat menyesuaikan pengaturan pemotong agar jari-jemari Anda tidak tersangkut di antara mata pisau yang bergerak dan bagian tidak bergerak pada pemotong.
8. Periksa baut mata pisau secara berkala dan sering untuk memastikan kekencangannya.
9. Selalu biarkan pemotong mendingin sebelum disimpan.
10. Saat memperbaiki mata pisau, perhatikan bahwa walaupun sakelar mesin telah dimatikan, mata pisau masih tetap dapat bergerak.
11. Jangan pernah melepas atau merusak alat keselamatan. Periksa pengoperasian yang tepat secara rutin. Jangan pernah melakukan apa pun untuk menginterferensi fungsi alat keselamatan yang dimaksudkan atau untuk mengurangi perlindungan yang diberikan oleh alat keselamatan.
12. Jangan meninggalkan mesin tanpa pengawasan di luar saat hujan.
13. Jangan cuci mesin dengan penyemprot bertekanan tinggi.
14. Ketika mencuci mesin, pastikan baterai dan kunci pengaman telah dilepas dan tutup penutup baterai, serta siramkan air ke arah belakang mesin tempat pisau terpasang.
15. Ketika menyimpan mesin, hindari terkena cahaya matahari dan hujan langsung, dan simpan di tempat yang jauh dari panas atau lembap.
16. Lakukan pemeriksaan di tempat yang terhindar dari hujan.
17. Setelah menggunakan mesin, bersihkan kotoran yang menempel dan keringkan mesin sepenuhnya sebelum disimpan. Tergantung pada musim atau tempat, terdapat risiko gangguan fungsi akibat pembekuan.

Penggunaan dan pemeliharaan mesin bertenaga baterai

1. Isi ulang baterai hanya dengan pengisi daya yang ditentukan oleh pabrik. Pengisi daya yang cocok untuk satu jenis paket baterai dapat menimbulkan risiko kebakaran ketika digunakan untuk paket baterai yang lain.
2. Gunakan mesin listrik hanya dengan paket baterai yang telah ditentukan secara khusus. Penggunaan paket baterai lain dapat menimbulkan risiko cedera dan kebakaran.

3. Ketika paket baterai tidak digunakan, jauhkan dari benda logam lain, seperti penjepit kertas, uang logam, kunci, paku, sekrup atau benda logam kecil lainnya, yang dapat menghubungkan satu terminal ke terminal lain. Hubungan singkat terminal baterai dapat menyebabkan luka bakar atau kebakaran.
4. Pemakaian yang salah, dapat menyebabkan keluarnya cairan dari baterai; hindari kontak. Jika terjadi kontak secara tidak sengaja, bilas dengan air. Jika cairan mengenai mata, cari bantuan medis. Cairan yang keluar dari baterai bisa menyebabkan iritasi atau luka bakar.
5. Jangan menggunakan paket baterai atau mesin yang sudah rusak atau telah diubah. Baterai yang rusak atau telah diubah dapat menyebabkan hal-hal yang tidak dapat diprediksi yang dapat menyebabkan kebakaran, ledakan atau risiko cedera.
6. Jangan membiarkan paket baterai atau mesin dekat dengan api atau suhu yang berlebihan. Paparan api atau suhu di atas 130 °C dapat menyebabkan ledakan.
7. Ikuti semua petunjuk pengisian daya dan jangan mengisi daya paket baterai atau mesin di luar rentang suhu yang ditentukan di panduan. Mengisi daya secara tidak tepat atau pada suhu di luar rentang yang ditentukan dapat merusak baterai dan meningkatkan risiko kebakaran.

Keselamatan listrik dan baterai

1. Jangan buang baterai ke nyala api. Sel baterai dapat meledak. Periksa kode setempat untuk petunjuk pembuangan khusus yang memungkinkan.
2. Jangan buka atau bongkar baterai. Elektrolit yang terlepas bersifat korosif dan dapat melukai mata atau kulit. Zat tersebut dapat beracun jika tertelan.
3. Jangan mengisi daya baterai saat hujan, atau di lokasi yang basah.
4. Jangan mengisi daya baterai di luar ruangan.
5. Jangan memegang pengisi daya, termasuk steker pengisi daya, dan terminal pengisi daya dengan tangan basah.
6. Jangan ganti baterai dalam kondisi hujan.
7. Jangan biarkan terminal baterai terkena basah seperti air, atau baterai terendam. Jangan tinggalkan baterai saat hujan, atau mengisi dayanya, menggunakan, atau menyimpan baterai di tempat yang lembap atau basah. Jika terminal basah atau cairan masuk ke dalam baterai, mungkin dapat terjadi hubung singkat dan terdapat risiko kelebihan panas, terbakar, atau meledak.
8. Setelah melepas baterai dari mesin atau pengisi daya, pastikan Anda memasang penutup ke baterai dan simpan di tempat kering.
9. Jangan ganti baterai dengan tangan basah.

Servis

1. Berikan mesin listrik untuk diperbaiki hanya kepada oleh teknisi yang berkualifikasi dengan menggunakan hanya suku cadang pengganti yang serupa. Hal ini akan menjamin terjaminnya keamanan mesin listrik.
2. Jangan pernah memperbaiki paket baterai yang sudah rusak. Perbaikan paket baterai harus dilakukan hanya oleh produsen atau penyedia servis resmi.

SIMPAN PETUNJUK INI.

⚠️ PERINGATAN: JANGAN biarkan kenyamanan atau terbiasanya Anda dengan produk (karena penggunaan berulang) mengurangi kepatuhan yang ketat terhadap aturan keselamatan untuk produk yang terkait.

PENYALAHGUNAAN atau kelalaian mematuhi kaidah keselamatan yang tertera dalam petunjuk ini dapat menyebabkan cedera badan serius.

Petunjuk keselamatan penting untuk kartrid baterai

1. Sebelum menggunakan kartrid baterai, bacalah semua petunjuk dan penandaan pada (1) pengisi daya baterai, (2) baterai, dan (3) produk yang menggunakan baterai.
2. Jangan membongkar atau memodifikasi kartrid baterai. Tindakan tersebut dapat menimbulkan api, panas berlebih, atau ledakan.
3. Jika waktu beroperasinya menjadi sangat singkat, segera hentikan penggunaan. Hal tersebut dapat menimbulkan risiko panas berlebih, kemungkinan mengalami luka bakar atau bahkan terjadi ledakan.
4. Jika elektrolit mengenai mata Anda, basuh dengan air bersih dan segera cari pertolongan medis. Hal tersebut dapat mengakibatkan hilangnya kemampuan penglihatan Anda.
5. Jangan menghubungkan terminal kartrid baterai:
 - (1) Jangan menyentuh terminal dengan bahan penghantar listrik apa pun.
 - (2) Hindari menyimpan kartrid baterai pada wadah yang berisi benda logam lain seperti paku, uang logam, dsb.
 - (3) Jangan membiarkan baterai terkena air atau kehujanan.
 Hubungan singkat baterai dapat menyebabkan aliran arus listrik yang besar, panas berlebih, kemungkinan mengalami luka bakar dan bahkan kerusakan pada baterai.
6. Jangan menyimpan dan menggunakan mesin dan kartrid baterai pada lokasi dengan suhu yang bisa mencapai atau melebihi 50 °C (122 °F).
7. Jangan membuang kartrid baterai di tempat pembakaran sampah walaupun benar-benar rusak atau tidak bisa digunakan sama sekali. Kartrid baterai bisa meledak jika terbakar.

8. **Jangan memaku, memotong, menghancurkan, melempar, menjatuhkan kartrid baterai, atau memukulkan benda keras ke kartrid baterai.** Tindakan tersebut dapat menimbulkan api, panas berlebih, atau ledakan.
9. **Jangan menggunakan baterai yang rusak.**
10. **Baterai litium-ion yang disertakan sesuai dengan persyaratan Perundang-undangan Makanan Berbahaya.** Harus ada pengawasan untuk pengangkutan komersial misalnya oleh pihak ketiga, ekspediter, persyaratan khusus terhadap pengemasan dan pelabelan. Diperlukan adanya konsultasi dengan ahli mengenai material berbahaya untuk persiapan barang yang akan dikirimkan. Perhatikan pula peraturan nasional yang lebih terperinci yang mungkin ada. Beri perekat atau tutupi bagian yang terbuka dan kemas baterai dengan cara yang tidak akan menimbulkan pergeseran dalam pengemasan.
11. **Ketika membuang kartrid baterai, lepaskan dari mesin dan buang ke tempat yang aman. Patuhi peraturan setempat yang berkaitan dengan pembuangan baterai.**
12. **Gunakan baterai hanya dengan produk yang ditentukan oleh Makita.** Memasang baterai pada produk yang tidak sesuai dapat menyebabkan kebakaran, kelebihan panas, ledakan, atau kebocoran elektrolit.
13. **Jika mesin tidak digunakan dalam jangka waktu yang lama, baterai harus dilepas dari mesin.**
14. **Selama dan setelah digunakan, kartrid baterai mungkin menyimpan panas yang dapat menyebabkan luka bakar atau luka bakar suhu rendah.** Perhatikan cara memegang kartrid baterai yang masih panas.
15. **Jangan langsung menyentuh terminal mesin setelah digunakan karena suhunya mungkin cukup panas untuk menyebabkan luka bakar.**
16. **Jangan biarkan serpihan, debu, atau tanah menempel di terminal, lubang, dan alur kartrid baterai.** Hal tersebut dapat mengakibatkan kinerja buruk atau kerusakan mesin maupun kartrid baterai.
17. **Kecuali jika mesin mendukung penggunaan di dekat saluran listrik bertegangan tinggi, jangan gunakan kartrid baterai di dekat saluran listrik bertegangan tinggi.** Hal tersebut dapat mengakibatkan kegagalan fungsi atau kerusakan mesin maupun kartrid baterai.
18. **Jauhkan baterai dari jangkauan anak-anak.**

SIMPAN PETUNJUK INI.

⚠️PERHATIAN: Gunakan baterai asli Makita. Penggunaan baterai Makita yang tidak asli, atau baterai yang sudah diubah, akan mengakibatkan baterai mudah terbakar, cedera dan kerusakan. Akan menghilangkan garansi Makita pada pengisi daya dan alat Makita.

Tip untuk menjaga agar umur pemakaian baterai maksimum

1. **Isi ulang kartrid baterai sebelum habis sama sekali.** Selalu hentikan penggunaan mesin dan ganti kartrid baterai jika Anda melihat bahwa mesin kurang tenaga.
2. **Jangan pernah mengisi ulang kartrid baterai yang sudah diisi penuh.** Pengisian ulang yang berlebih memperpendek umur pemakaian baterai.
3. **Isi ulang kartrid baterai pada suhu ruangan 10 °C - 40 °C.** Biarkan kartrid baterai yang panas menjadi dingin terlebih dahulu sebelum diisi ulang.
4. **Saat kartrid baterai tidak digunakan, lepaskan dari mesin atau pengisi daya.**
5. **Isi ulang daya kartrid baterai jika Anda tidak menggunakannya untuk jangka waktu yang lama (lebih dari enam bulan).**

PERAKITAN

⚠️PERINGATAN: Selalu pastikan bahwa kunci pengaman dan kartrid telah dilepas sebelum melakukan apa pun terhadap pemotong. Kelalaian untuk melepas kunci pengaman dan kartrid baterai dapat mengakibatkan cedera perseorangan berat karena mesin mungkin saja dinyalakan secara tidak sengaja.

⚠️PERINGATAN: Jangan nyalakan pemotong kecuali rangkaiannya telah terpasang sepenuhnya. Mesin yang dioperasikan dalam kondisi hanya terangkai sebagian dapat mengakibatkan cedera badan yang serius akibat penyalakan yang tidak disengaja.

Memasang pegangan

PEMBERITAHUAN: Saat memasang pegangan, posisikan semua kabel sedemikian rupa agar tidak tersangkut apa pun di antara pegangan. Jika kabel rusak, sakelar pemotong mungkin tidak berfungsi.

1. Sejajarkan lubang dalam pegangan bagian bawah dengan lubang dalam bodi pemotong, dan kemudian kencangkan 4 baut sementara waktu.
 - **Gbr.1:** 1. Pegangan bagian bawah 2. Baut
2. Kencangkan dengan kuat 4 baut yang untuk sementara dikencangkan pada langkah 1 menggunakan kunci pas 13.
 - **Gbr.2:** 1. Baut 2. Pegangan bagian bawah 3. Mur 4. Lubang 5. Pegangan bagian atas
3. Sejajarkan lubang di pegangan bagian bawah dengan lubang di pegangan bagian atas, kemudian masukkan baut dari dalam, dan kemudian lalu kencangkan mur dari luar dengan kunci pas 13. Lakukan prosedur yang sama untuk sisi lainnya.
 - **Gbr.2:** 1. Baut 2. Pegangan bagian bawah 3. Mur 4. Lubang 5. Pegangan bagian atas

⚠PERHATIAN: Tahan pegangan bagian atas kuat-kuat agar tidak tergelincir dari tangan Anda. Jika tidak, pegangan dapat jatuh dan menyebabkan cedera.

4. Pasang penahan ke pegangan.
Sejajarkan tonjolan pada penahan dengan lubang pada pegangan sehingga tonjolan pas ke dalam lubang. Posisikan kabel seperti ditunjukkan pada gambar.
► **Gbr.3:** 1. Kabel 2. Penahan

Melepaskan steker mulsa

1. Buka tutup belakang.
► **Gbr.4:** 1. Tutup belakang
2. Melepaskan steker mulsa sembari menahan tuas.
► **Gbr.5:** 1. Tuas 2. Steker mulsa

Memasang atau melepas keranjang rumput

Untuk memasang keranjang rumput, ikuti langkah berikut.

1. Buka tutup belakang.
► **Gbr.6:** 1. Tutup belakang
2. Tahan pegangan keranjang rumput, dan kemudian kaitkan keranjang rumput pada batang di badan pemotong sebagaimana ditunjukkan dalam gambar.
► **Gbr.7:** 1. Batang 2. Pegangan 3. Keranjang rumput

Untuk melepaskan keranjang rumput, buka penutup belakang, dan kemudian lepaskan keranjang rumput dengan menggenggam pegangannya.

Memasang steker mulsa

1. Buka tutup belakang dan lepaskan keranjang rumput.
► **Gbr.8:** 1. Tutup belakang 2. Keranjang rumput
2. Pasang steker mulsa sambil menahan tuas, lalu lepaskan tuas untuk mengunci steker mulsa.
► **Gbr.9:** 1. Tuas 2. Steker mulsa

DESKRIPSI FUNGSI

Memasang atau melepas baterai

⚠PERHATIAN: Selalu matikan mesin sebelum memasang atau melepas kartrid baterai.

⚠PERHATIAN: Pegang mesin dan kartrid baterai dengan kuat saat memasang atau melepas kartrid baterai. Apabila mesin dan kartrid baterai tidak dipegang dengan kuat, mesin dapat terlepas dari tangan Anda dan mengakibatkan kerusakan pada kartrid baterai dan serta menyebabkan cedera badan.

⚠PERHATIAN: Pastikan Anda telah mengunci penutup baterai sebelum menggunakan mesin. Jika tidak, kartrid baterai mungkin saja rusak akibat lumpur, kotoran, atau air.

⚠PERHATIAN: Selalu pasang kartrid baterai sampai indikator berwarna merah tidak terlihat. Jika tidak, kartrid baterai dapat terlepas dari mesin secara tidak sengaja, menyebabkan cedera pada Anda atau orang di sekitar Anda.

⚠PERHATIAN: Jangan memasang kartrid baterai secara paksa. Jika kartrid tidak dapat didorong masuk dengan mudah, berarti cara pemasangannya salah.

CATATAN: Mesin tidak akan bekerja dengan hanya satu kartrid baterai.

Untuk memasang kartrid baterai;

1. Tarik tuas pengunci, kemudian buka penutup baterai.
► **Gbr.10:** 1. Kotak baterai 2. Tuas pengunci
2. Sesuaikan lidah pada kartrid baterai dengan celah pada mesin, kemudian geser kartrid hingga terpasang di tempatnya dan berbunyi klik pelan.
► **Gbr.11:** (1) Port baterai 1 (2) Port baterai 2 (3) Kartrid baterai

CATATAN: Pasang setidaknya 2 kartrid baterai ke port baterai 1 atau port baterai 2.

3. Masukkan kunci pengaman sedalam mungkin ke tempat yang ditunjukkan pada gambar.

► **Gbr.12:** 1. Kunci pengaman

4. Tutuplah kotak baterai dan dorong hingga terkunci oleh tuas pengunci.

Untuk melepas kartrid baterai;

1. Tarik tuas pengunci dan buka penutup baterai.
2. Tarik kartrid baterai dari mesin sambil menggeser tombol di bagian depan kartrid.
3. Tarik kunci pengaman.
4. Tutup kotak baterai.

Beralih antar kartrid baterai

► Gbr.13: 1. Sakelar pemilih baterai

Mesin menggunakan 2 kartrid baterai untuk operasi sekaligus. Hingga 4 kartrid baterai dapat dipasang ke mesin. Sebelum mengoperasikan mesin, pilih port baterai 1 atau port baterai 2 dengan memutar sakelar pemilihan baterai.

CATATAN: Jika hanya 2 kartrid baterai yang dipasang ke mesin, pastikan untuk memilih port baterai tempat kartrid baterai dipasang menggunakan sakelar pemilihan baterai.

Sistem perlindungan mesin / baterai

Mesin ini dilengkapi dengan sistem perlindungan mesin/baterai. Sistem ini memutuskan aliran daya ke motor secara otomatis untuk memperpanjang umur pakai mesin dan baterai. Mesin akan berhenti secara otomatis saat dioperasikan jika mesin atau baterai mengalami salah satu dari kondisi-kondisi berikut ini:

Perlindungan kelebihan beban

Jika baterai digunakan dengan cara yang menjadikan baterai mengeluarkan arus tinggi yang berlebihan, mesin akan berhenti secara otomatis dan lampu daya utama berkedip hijau. Dalam situasi ini, matikan mesin dan hentikan pekerjaan yang menyebabkan peralatan mengalami kelebihan beban. Kemudian, nyalakan mesin untuk kembali melanjutkan pekerjaan.

Perlindungan panas berlebih

Saat mesin atau baterai menjadi terlalu panas, mesin akan berhenti secara otomatis dan lampu daya utama akan berkedip merah. Dalam keadaan ini, tunggu hingga mesin dan baterai mendingin sebelum dinyalakan kembali.

Perlindungan pengisian daya berlebih

Saat kapasitas baterai tidak mencukupi, mesin akan berhenti secara otomatis dan lampu daya utama akan berkedip merah. Jika terjadi, lepaskan baterai dari mesin dan isi daya kartrid baterai atau ganti kartrid baterai dengan yang terisi penuh.

Mengindikasikan kapasitas baterai yang tersisa

Hanya untuk kartrid baterai dengan indikator

► Gbr.14: 1. Lampu indikator 2. Tombol pemeriksaan

Tekan tombol pemeriksaan pada kartrid baterai untuk melihat kapasitas baterai yang tersisa. Lampu indikator menyala selama beberapa detik.

Lampu indikator			Kapasitas yang tersisa
Menyala	Mati	Berkedip	
■ ■ ■ ■			75% hingga 100%
■ ■ ■ □			50% hingga 75%
■ ■ □ □			25% hingga 50%
■ □ □ □			0% hingga 25%
◼ □ □ □			Isi ulang baterai.
■ ■ □ □			Baterai mungkin sudah rusak.
□ □ ■ ■			

CATATAN: Tergantung kondisi penggunaan dan suhu lingkungannya, penunjukkan mungkin saja sedikit berbeda dari kapasitas sebenarnya.

CATATAN: Lampu indikator pertama (ujung kiri) akan berkedip ketika sistem perlindungan mesin bekerja.

Panel kontrol

Panel kontrol memiliki sakelar daya utama, tombol pengubah mode, dan indikator kapasitas baterai yang tersisa.

► Gbr.15: 1. Indikator baterai 2. Lampu pengubah mode 3. Lampu daya utama 4. Tombol pemeriksaan 5. Tombol pengubah mode 6. Sakelar daya utama

Sakelar daya utama

PERINGATAN: Selalu matikan sakelar daya utama saat tidak digunakan.

Untuk menyalakan mesin, tekan sakelar daya utama. Lampu daya utama menyala hijau. Untuk mematikan mesin, tekan sakelar daya utama lagi.

CATATAN: Jika lampu daya utama menyala merah atau berkedip merah atau hijau, baca instruksi untuk sistem perlindungan mesin/baterai.






CATATAN: Mesin ini menggunakan fungsi pemutus daya otomatis. Untuk menghindari penyalaaan yang tidak disengaja, sakelar daya utama akan secara otomatis mati ketika tuas sakelar dan tuas penggerak (jika ada) tidak ditarik selama beberapa saat setelah sakelar daya utama dinyalakan.

Tombol pengubah mode

Anda dapat mengubah mode pengoperasian dengan menekan tombol pengubah mode. Ketika mesin dinyalakan, mesin bekerja dalam mode normal. Ketika Anda menekan tombol pengubah mode, mesin berpindah ke mode penghematan kebisingan dan lampu pengubah mode menyala hijau. Dalam mode penghematan kebisingan Anda dapat mengurangi bising saat memotong. Ketika Anda menekan tombol pengubah mode lagi, mesin kembali ke mode normal.

Mengindikasikan kapasitas baterai yang tersisa

Tekan tombol pemeriksaan untuk melihat kapasitas baterai yang tersisa. Indikator baterai berhubungan dengan setiap baterai.

Status indikator baterai		Kapasitas baterai yang tersisa
 Menyala	 Mati	
		50% - 100%
		20% - 50%
		0% - 20%

CATATAN: Lampu indikator untuk kapasitas baterai yang tersisa hanya digunakan sebagai referensi. Kapasitas baterai yang sebenarnya dapat berbeda tergantung pada kondisi penggunaan.

CATATAN: Sebelum Anda menekan tombol pemeriksaan untuk melihat kapasitas baterai yang tersisa, matikan mesin.

Kerja sakelar

⚠PERINGATAN: Sebelum memasang kartrid baterai, selalu pastikan bahwa tuas sakelar bergerak sebagaimana mestinya dan kembali ke posisi awalnya saat dilepaskan. Penggunaan mesin dengan sakelar yang tidak berfungsi dengan baik dapat menyebabkan kehilangan kontrol dan cedera serius.

CATATAN: Pemotong tidak dapat dioperasikan jika tombol sakelarnya tidak ditekan, bahkan walaupun tuas sakelarnya telah ditarik.

CATATAN: Saat memotong rumput panjang atau rapat, pemotong mungkin tidak dapat dioperasikan karena kelebihan beban. Jika demikian, naikan ketinggian pemotongan.

Pemotong ini dilengkapi dengan kunci pengaman dan sakelar pegangan. Jika Anda merasa ada yang tidak biasa pada kunci pengaman atau sakelar, segera hentikan pengoperasian dan mintalah agar sakelar tersebut diperiksa oleh Pusat Servis Resmi Makita terdekat.

1. Pasang kartrid baterai. Masukkan kunci pengaman, kemudian tutup penutup baterai.
2. Pilih kartrid baterai yang digunakan untuk pengoperasian dengan memutar sakelar pemilih baterai.
3. Tekan sakelar daya utama.
4. Tarik tuas sakelar ke arah Anda sambil menahan tombol sakelar. Lepaskan tombol sakelar setelah motor mulai menyala.

► **Gbr.16:** 1. Tombol sakelar 2. Tuas sakelar

CATATAN: Jika kunci pengaman tidak terpasang, lampu daya berkedip hijau ketika Anda menarik tuas sakelar.

5. Sambil menahan tuas sakelar, tekan tuas penggerak ke depan dan tahan untuk menggerakkan roda belakang.

► **Gbr.17:** 1. Tuas penggerak

CATATAN: Anda dapat menggerakkan roda belakang dengan mendorong tuas penggerak ke depan dan menahannya tanpa menarik tuas sakelar.

6. Lepaskan tuas penggerak dan tuas sakelar untuk menghentikan mesin.

Menyesuaikan ketinggian pemotongan

⚠PERINGATAN: Jangan letakkan kaki atau tangan Anda di bawah badan pemotong saat menyesuaikan ketinggian pemotongan.

⚠PERINGATAN: Selalu pastikan bahwa tuas sudah terpasang aman dalam lubang sebelum mulai mengoperasikan pemotong.

Ketinggian pemotongan dapat disesuaikan antara 20 mm dan 100 mm.

Lepas kunci pengaman, dan kemudian tarik tuas pengatur ketinggian pemotongan ke arah luar bodi pemotong dan gerakkan sesuai ketinggian pemotongan yang Anda inginkan.

► **Gbr.18:** 1. Tuas pengatur ketinggian pemotongan

Tabel di bawah ini menunjukkan hubungan antara angka pada bodi mesin pemotong dan perkiraan tinggi pemotongan.

Angka	Tinggi pemotongan
1	20 mm
2	26 mm
3	32 mm
4	39 mm
5	47 mm
6	55 mm
7	63 mm
8	74 mm
9	86 mm
10	100 mm

Pegang gagang depan atau pegangan bagian bawah dengan satu tangan, sementara tangan lainnya mengatur tuas pengatur ketinggian pemotongan.

- **Gbr.19:** 1. Tuas pengatur ketinggian pemotongan
2. Pegangan bagian bawah 3. Gagang depan

CATATAN: Gambar ketinggian pemotongan harus digunakan sebagai panduan saja. Tergantung pada kondisi rumput atau tanah, ketinggian rumput yang sebenarnya mungkin saja sedikit berbeda dari ketinggian yang disetel.

CATATAN: Lakukan percobaan dengan memotong rumput di tempat yang aman untuk menentukan ketinggian yang sesuai.

Indikator level rumput

Indikator level rumput menunjukkan volume rumput yang dipotong. Saat keranjang rumput tidak penuh, indikator akan mengambang saat mata pisau masih berjalan.

- **Gbr.20:** 1. Indikator level rumput

Saat keranjang rumput hampir penuh, indikator tidak mengambang saat mata pisau masih berjalan. Jika demikian, segera hentikan pengoperasian dan kosongkan keranjang.

- **Gbr.21:** 1. Indikator level rumput

CATATAN: Indikator ini merupakan panduan kasar. Tergantung pada kondisi dalam keranjang, indikator ini mungkin tidak bekerja secara tepat.

Menyetel tinggi pegangan

PERHATIAN: Sebelum melepaskan baut, pegang kuat-kuat pegangan bagian atas. Jika tidak, pegangan dapat jatuh dan menyebabkan cedera.

Tinggi pegangan dapat disetel dalam dua tingkat.

1. Lepaskan baut atas pada pegangan bawah menggunakan kunci pas 13, dan kemudian longgarkan baut bawah.

- **Gbr.22:** 1. Baut atas 2. Baut bawah

2. Sesuaikan tinggi pegangan, lalu kencangkan baut atas dan bawah dengan kuat.

Menyetel kecepatan jalan

- **Gbr.23:** 1. Tuas kecepatan

Kecepatan jalan dapat disetel menggunakan tuas kecepatan. Untuk mengurangi kecepatan, tarik tuas ke arah Anda, dan untuk meningkatkan kecepatan, putar tuas ke depan.

Menggunakan steker mulsa

Steker mulsa memungkinkan Anda mengembalikan potongan rumput ke tanah tanpa menampungnya dalam keranjang rumput. Saat Anda mengoperasikan mesin dengan perangkat steker mulsa, pastikan untuk melepas keranjang rumput.

PEMBERITAHUAN: Saat menggunakan mesin dengan steker mulsa, pastikan panjang total rumput 30 mm atau lebih, atau panjang potongannya 15 mm atau kurang.

- **Gbr.24:** (1) 30 mm atau lebih (2) 15 mm atau kurang

Menggunakan pembuangan belakang

Menggunakan pembuangan belakang memungkinkan Anda membuang potongan rumput ke tanah dari sisi belakang mesin tanpa menampungnya dalam keranjang rumput.

Ketika Anda mengoperasikan mesin menggunakan pembuangan belakang, pastikan untuk melepas keranjang rumput dan steker mulsa, lalu tutup penutup belakang.

Fungsi elektronik

Mesin ini dilengkapi dengan fungsi elektronik untuk pengoperasian yang mudah.

- Kontrol kecepatan konstan putaran mata pisau
Kontrol kecepatan elektronik untuk memperoleh kecepatan yang konstan. Memungkinkan untuk memperoleh pengerjaan akhir yang halus, karena kecepatan putaran dipertahankan secara konstan meskipun dalam kondisi diberi beban.
- Awal yang lembut saat penggerakan
Fungsi awal soft-start adalah untuk meminimalkan kejutan awal, dan membuat mesin berjalan lancar.
- Rem elektrik
Mesin ini dilengkapi dengan rem elektrik. Jika mesin secara konsisten gagal untuk melakukan pemberhentian cepat pemotong rumput setelah melepaskan tuas sakelar, perbaiki mesin di Pusat Servis Resmi Makita.

PENGUNAAN

Pemotongan

⚠️PERINGATAN: Sebelum memotong, bersihkan semua batang dan batu dari area pemotongan. Selain itu, bersihkan terlebih dahulu semua semak dari area pemotongan.

⚠️PERINGATAN: Selalu kenakan kaca mata pelindung atau kaca mata pengaman dengan pelindung samping saat mengoperasikan pemotong.

⚠️PERHATIAN: Jika rumput yang terpotong atau benda asing menyumbat bagian dalam bodi pemotong, pastikan Anda melepas kunci pengaman dan kartrid baterai serta mengenakan sarung tangan sebelum membersihkan rumput atau benda asing tersebut.

PEMBERITAHUAN: Gunakan mesin hanya untuk memotong rumput. Jangan memotong semak-semak dengan mesin ini.

► Gbr.25

Saat memotong, genggam pegangan kencang-kencang dengan kedua tangan Anda. Panduan kecepatan pemotongan adalah sekitar 7 sampai 14 meter per 10 detik.

► Gbr.26

Garis tengah masing-masing roda depan adalah pemandu untuk lebar pemotongan. Dengan mengacu pada kedua garis tengah tersebut, potong rumput secara berlajur. Potong lajur berikutnya dengan menimpa setengah hingga sepertiga bagian dari lebar lajur potongan sebelumnya, agar rumput terpotong secara merata.

► Gbr.27: 1. Lebar pemotong 2. Bagian yang ditimpa 3. Garis tengah

Ganti arah pemotongan tiap lajur untuk mencegah pola helai rumput terbentuk hanya ke satu arah.

► Gbr.28

Periksa isi keranjang rumput secara rutin. Buang potongan rumput sebelum keranjang penuh. Sebelum pemeriksaan rutin, pastikan Anda telah mematikan pemotong, melepas kunci pengaman dan kartrid baterai.

PEMBERITAHUAN: Pengoperasian pemotong dengan keranjang rumput dalam kondisi penuh akan menghambat laju putaran pisau dan mengakibatkan beban lebih besar pada motor, yang dapat menyebabkan mesin macet.

Memotong rumput tinggi

Jangan mencoba memotong rumput tinggi sekaligus. Sebaliknya, potong rumput secara bertahap. Beri jeda satu atau dua hari antar pemotongan hingga rumput terpotong pendek secara merata.

► Gbr.29

CATATAN: Memotong rumput tinggi sekaligus hingga langsung menjadi pendek dapat mengakibatkan rumput mati. Potongan rumput juga mungkin menggumpal di dalam badan pemotong.

Mengosongkan keranjang rumput

⚠️PERINGATAN: Untuk mengurangi risiko kecelakaan, periksalah keranjang rumput secara rutin untuk memastikan tidak ada kerusakan atau penurunan kekuatan. Ganti keranjang rumput jika perlu.

1. Lepaskan tuas sakelar dan tuas penggerak.
 2. Lepas kunci pengaman.
 3. Buka tutup belakang dan keluarkan keranjang rumput dengan menggenggam pegangannya.
- Gbr.30: 1. Tutup belakang 2. Pegangan 3. Keranjang rumput
4. Kosongkan keranjang rumput.

PERAWATAN

⚠️PERINGATAN: Selalu pastikan kunci pengaman dan kartrid baterai telah dilepas dari pemotong sebelum menyimpan atau membawa pemotong atau melakukan pemeriksaan atau pemeliharaan.

⚠️PERINGATAN: Selalu lepas kunci pengaman saat pemotong tidak digunakan. Simpan kunci pengaman di tempat yang aman dari jangkauan anak-anak.

⚠️PERINGATAN: Gunakan sarung tangan saat melakukan pemeriksaan atau pemeliharaan.

⚠️PERINGATAN: Selalu kenakan kaca mata pelindung atau kaca mata pengaman dengan pelindung samping saat melakukan pemeriksaan atau pemeliharaan.

PEMBERITAHUAN: Jangan sekali-kali menggunakan bensin, tiner, alkohol, atau bahan sejenisnya. Penggunaan bahan demikian dapat menyebabkan perubahan warna, perubahan bentuk atau timbulnya retakan.

Untuk menjaga KEAMANAN dan KEANDALAN mesin, perbaikan, perawatan atau penyetulan lainnya harus dilakukan oleh Pusat Layanan Resmi atau Pabrik Makita; selalu gunakan suku cadang pengganti buatan Makita.

PEMELIHARAAN

1. Lepaskan kunci pengaman dan kartrid baterai, kemudian tutuplah kotak baterai.
2. Letakkan pemotong secara menyamping dan bersihkan potongan rumput yang menumpuk di sisi bawah penampang pemotong.
3. Siramkan air ke arah belakang mesin tempat pisau terpasang.

PEMBERITAHUAN: Jangan cuci mesin dengan penyemprot bertekanan tinggi.

4. Periksa dan pastikan kekencangan semua mur, baut, kenop, sekrup, pengencang, dsb.
5. Periksa apakah ada bagian bergerak yang rusak, retak, atau aus. Bagian yang rusak atau hilang harus diperbaiki atau diganti.
6. Simpan pemotong di tempat yang aman jauh dari jangkauan anak-anak.

PEMBERITAHUAN: Jangan menuangkan air ke area yang ditunjukkan pada gambar. Menuangkan air ke unit motor dapat menyebabkan kerusakan mesin.

- **Gbr.31:** 1. Area di mana air tidak boleh dituangkan

Membawa pemotong

Ketika membawa pemotong, tahan gagang depan dan gagang belakang dengan dua orang seperti ditunjukkan dalam gambar.

- **Gbr.32:** 1. Gagang depan 2. Gagang belakang

Penyimpanan

Simpan pemotong di tempat yang sejuk, kering dan terkunci. Jangan menyimpan pemotong dan kartrid baterai di tempat bersuhu 40 °C atau lebih.

Melepas atau memasang pisau pemotong

PERINGATAN: Pisau pemotong akan bergerak perlahan selama beberapa detik setelah sakelar dilepas. Jangan mengoperasikan apa pun hingga pisau pemotong benar-benar telah berhenti.

PERINGATAN: Selalu lepaskan kunci pengaman dan kartrid baterai saat melepas atau memasang pisau pemotong. Kelalaian untuk melepas kunci pengaman dan kartrid baterai dapat mengakibatkan cedera berat.

PERINGATAN: Selalu kenakan sarung tangan saat menangani pisau.

Melepaskan pisau pemotong

1. Letakkan pisau pemotong secara menyamping hingga tuas pengatur ketinggian pemotongan bergerak ke bagian atas.

2. Untuk mengunci mata pisau, masukkan pin ke dalam lubang pada bodi pemotong.

3. Putar baut berlawanan arah jarum jam dengan kunci pas 17.

- **Gbr.33:** 1. Pisau pemotong 2. Pin 3. Kunci busi

4. Lepaskan baut, dan kemudian pisau pemotong.

- **Gbr.34:** 1. Dukungan pisau 2. Pisau pemotong 3. Baut 4. Tonjolan

PEMBERITAHUAN: Saat memasang pisau pemotong, pastikan bahwa tonjolan pada penopang mata pisau pas dengan lubang di pisau pemotong.

Memasang pisau pemotong

PERINGATAN: Pasang pisau pemotongan dengan hati-hati. Pisau ini memiliki sisi tajam atas/bawah.

PERINGATAN: Kencangkan baut searah jarum jam untuk mengencangkan pisau.

PERINGATAN: Pastikan pisau pemotongan dan semua komponen pemasangannya telah terpasang dan dikencangkan dengan benar.

PERINGATAN: Saat mengganti pisau, selalu ikuti instruksi yang ada dalam buku petunjuk ini.

PEMBERITAHUAN: Setelah memasang pisau pemotong, lepaskan pin dari bodi pemotong.

Untuk memasang pisau pemotong, lakukan prosedur pelepasan dalam urutan terbalik.

PEMECAHAN MASALAH

Sebelum meminta perbaikan, lakukan pemeriksaan mandiri terlebih dahulu. Jika Anda menemukan masalah yang tidak dijelaskan dalam buku petunjuk ini, jangan coba membongkar rakitan mesin. Hubungi Pusat Servis Resmi Makita, dan selalu gunakan suku cadang pengganti Makita untuk perbaikan.

Keadaan Tidak Normal	Kemungkinan penyebab (kerusakan fungsi)	Perbaikan
Pemotong tidak menyala.	Dua kartrid baterai tidak dipasang.	Pasang dua kartrid baterai yang telah terisi daya.
	Masalah baterai (kekurangan tegangan)	Isi ulang daya kartrid baterai. Jika pengisian ulang daya tidak berhasil, gantilah kartrid baterai.
	Kunci pengaman tidak dimasukkan.	Masukkan kunci pengaman.
	Sakelar pemilihan baterai tidak dalam posisi yang benar.	Pilih port baterai tempat kartrid baterai dipasang menggunakan sakelar pemilihan baterai.
Motor berhenti setelah digunakan sebentar.	Daya baterai rendah.	Isi ulang daya kartrid baterai. Jika pengisian ulang daya tidak berhasil, gantilah kartrid baterai.
	Ketinggian pemotongan terlalu rendah.	Tingkatkan ketinggian pemotongan.
	Rumput yang sudah dipotong tersumbat dalam pemotong.	Buang rumput yang tersumbat dari pemotong.
Motor tidak mencapai RPM maksimum.	Kartrid baterai dipasang secara tidak tepat.	Pasang kartrid baterai sebagaimana diuraikan dalam buku petunjuk ini.
	Daya baterai menurun.	Isi ulang daya kartrid baterai. Jika pengisian ulang daya tidak berhasil, gantilah kartrid baterai.
	Sistem penggerak tidak bekerja secara benar.	Mintalah pusat servis resmi setempat untuk melakukan perbaikan.
Pisau pemotongan tidak berputar: ⇒ segera hentikan pemotong!	Objek asing seperti cabang terjepit di dekat pisau pemotong.	Singkirkan objek asing tersebut.
	Sistem penggerak tidak bekerja secara benar.	Mintalah pusat servis resmi setempat untuk melakukan perbaikan.
Getaran tidak normal: ⇒ segera hentikan pemotong!	Posisi pisau tidak seimbang, terlalu aus atau mengalami keausan tidak merata.	Ganti pisau.

AKSESORI PILIHAN

⚠️ PERHATIAN: Dianjurkan untuk menggunakan aksesoris atau perangkat tambahan ini dengan mesin Makita Anda yang ditentukan dalam petunjuk ini. Penggunaan aksesoris atau perangkat tambahan lain bisa menyebabkan risiko cedera pada manusia. Hanya gunakan aksesoris atau perangkat tambahan yang sesuai dengan tujuan yang telah ditetapkan.

Jika Anda memerlukan bantuan lebih rinci berkenaan dengan aksesoris ini, tanyakan pada Pusat Layanan Makita terdekat.

- Pisau pemotong
- Baterai dan pengisi daya asli Makita

CATATAN: Beberapa item dalam daftar tersebut mungkin sudah termasuk dalam paket produk sebagai aksesoris standar. Kelengkapan mesin dapat berbeda di setiap negara.

SPEKIFIKASI

Model:		DLM533
Lebar pemotong (diameter bilah)		534 mm
Kelajuan tanpa beban		2,300 min ⁻¹
Kelajuan maksima		2,800 min ⁻¹
Nombor bahagian penggantian bilah pemangkas	Bilah pemangkas lurus	191D52-7 / 191W87-2
Dimensi (P x L x T)		P: 1,655 mm hingga 1,740 mm L: 590 mm T: 990 mm hingga 1,100 mm
Kelajuan berjalan		2.5 - 5.0 km/h
Voltan terkadar		D.C. 36 V
Berat bersih	Apabila bilah pemangkas lurus dipasang	42.6 - 46.4 kg
Tahap perlindungan		IPX4

- Disebabkan program penyelidikan dan pembangunan kami yang berterusan, spesifikasi yang terkandung di dalam ini adalah tertakluk kepada perubahan tanpa notis.
- Spesifikasi mungkin berbeza mengikut negara.
- Berat mungkin berbeza bergantung kepada pemasangan, termasuk kartrij bateri. Kombinasi paling ringan dan paling berat, mengikut Prosedur EPTA 01/2014, ditunjukkan di dalam jadual.

Kartrij bateri yang berkenaan

BL1815N / BL1820 / BL1820B / BL1830 / BL1830B / BL1840 / BL1840B / BL1850 / BL1850B / BL1860B






- Sesetengah kartrij bateri disenaraikan di atas mungkin tidak tersedia bergantung pada kawasan kediaman anda.




⚠️ AMARAN: Gunakan hanya kartrij bateri disenaraikan di atas. Penggunaan mana-mana kartrij bateri yang lain mungkin menyebabkan kecederaan dan/atau kebakaran.

⚠️ AMARAN: Tidak menggunakan bekalan kuasa yg dikodkan dgn tali seperti penyesuai bateri atau pek kuasa mudah alih dengan mesin ini. Kabel bekalan kuasa mungkin menghalang pengendalian dan mengakibatkan kecederaan peribadi.

Simbol

Berikut menunjukkan simbol-simbol yang boleh digunakan untuk alat ini. Pastikan anda memahami maksudnya sebelum menggunakan.

	Sila gunakan dengan berhati-hati dan penuh perhatian.
	Baca manual arahan.
	Bahaya; berhati-hati dengan objek terbang.
	Jarak antara alat dan orang sekeliling mesti sekurang-kurangnya 15 m.
	Jangan letakkan tangan dan kaki anda berdekatan bilah di bawah pemangkas. Bilah terus berputar selepas motor dimatikan.

	Keluarkan kekunci sebelum memeriksa, melaras, mencuci, menservis, meninggalkan dan menyimpan pemangkas.
	Bahaya elektrik. Terkena air boleh menyebabkan kejutan elektrik.
	Jangan tuangkan air.



Hanya untuk negara-negara EU
Disebabkan kehadiran komponen berbahaya dalam peralatan, sisa peralatan elektrik dan elektronik, akumulator dan bateri boleh memberi kesan negatif terhadap persekitaran dan kesihatan manusia.

Jangan buang alat elektrik dan elektronik atau bateri bersama dengan bahan buangan isi rumah!

Mengikuti Arahan Eropah mengenai sisa peralatan elektrik dan elektronik dan mengenai akumulator dan bateri dan sisa akumulator dan bateri serta penyesuaian dengan undang-undang negara, sisa peralatan elektrik, bateri dan akumulator hendaklah disimpan secara berasingan dan dihantar ke tempat pengumpulan berasingan untuk sisa perbandaran, beroperasi mengikut peraturan perlindungan persekitaran. Ini ditunjukkan oleh simbol tong sampah beroda yang bersilang pada peralatan.



Aras kuasa bunyi terjamin menurut Arahan Redam Di Luar Kesatuan Eropah.



Aras kuasa bunyi menurut Peraturan Kawalan Redam NSW, Australia

Tujuan penggunaan

Mesin ini bertujuan untuk memangkas rumput.

AMARAN KESELAMATAN

ARAHAN KESELAMATAN PENTING

AMARAN: Baca semua amaran keselamatan dan semua arahan. Kegagalan mematuhi amaran dan arahan boleh menyebabkan kejutan elektrik, kebakaran dan/atau kecederaan serius.

Simpan semua amaran dan arahan untuk rujukan masa depan.

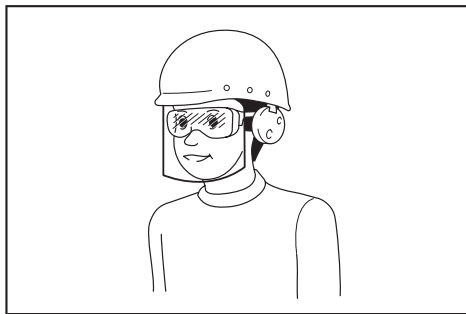
Latihan

1. Baca arahan dengan teliti. Biasakan dengan kawalan dan penggunaan pemangkas yang betul.
2. Jangan sekali-kali benarkan kanak-kanak atau orang yang tidak biasa dengan arahan ini untuk menggunakan pemangkas. Peraturan keselamatan setempat boleh menyekat umur pengendali.
3. Jangan sekali-kali kendalikan pemangkas ketika orang, terutamanya kanak-kanak atau haiwan peliharaan berdekatan.
4. Ingat bahawa pengendali atau pengguna bertanggungjawab ke atas sebarang kemalangan atau bahaya yang berlaku kepada orang lain atau harta benda mereka.

5. Kanak-kanak harus diselia untuk memastikan mereka tidak bermain dengan pemangkas ini.
6. Keadaan fizikal - Jangan kendalikan pemangkas semasa di bawah pengaruh dadah, alkohol atau sebarang ubat.

Persediaan

1. Semasa mengendalikan pemangkas, sentiasa pakai kasut yang betul dan seluar panjang. Jangan kendalikan pemangkas semasa berkaki ayam atau memakai sandal terbuka. Elakkan memakai pakaian atau barang kemas yang longgar atau mempunyai tali atau ikatan yang tergantung. Ia boleh tersangkut pada bahagian yang sedang bergerak.
2. Sebelum guna, sentiasa memeriksa secara visual pemangkas untuk pengawal atau perisai yang rosak, hilang atau tersalah letak.
3. Pastikan tidak terdapat orang lain di kawasan sebelum memangkas. Hentikan pemangkas jika sesiapa sahaja memasuki kawasan.
4. Jangan masukkan kekunci ke dalam pemangkas sehingga ia sedia untuk digunakan.
5. Sentiasa pakai kaca mata pelindung untuk melindungi mata anda daripada kecederaan apabila menggunakan alat kuasa. Kaca mata mestilah mematuhi ANSI Z87.1 di AS, EN 166 di Eropah, atau AS/NZS 1336 di Australia/New Zealand. Di Australia/New Zealand, undang-undang mengarahkan untuk memakai pelindung muka bagi melindungi muka anda, juga.



Menjadi tanggungjawab majikan untuk menguatkuasa penggunaan peralatan perlindungan keselamatan yang bersesuaian oleh pengendali alat dan oleh orang lain dalam kawasan bekerja semasa.

6. Periksa bilah atau bolt bilah dengan teliti untuk retak atau kerosakan sebelum operasi. Gantikan bilah yang retak atau rosak dengan segera.
7. Keluaran benda asing seperti batu, wayar, botol, tulang dan kayu besar dari kawasan kerja sebelum memangkas untuk mengelakkan kecederaan peribadi dan kerosakan pada pemangkas.

8. **Objek yang tersangkut oleh bilah pemangkas boleh mengakibatkan kecederaan parah kepada seseorang. Laman harus sentiasa diperiksa dengan berhati-hati dan dibersihkan daripada semua objek bagi setiap kali pemangkas.**
9. **Lihat lubang, bekas roda, bonggol, batu, atau objek tersembunyi yang lain.** Kawasan tidak sekata boleh menyebabkan kecederaan tergelincir dan jatuh. Rumput yang tinggi boleh menyembunyikan halangan.
10. **Jangan masukkan atau keluarkan kunci dalam hujan.**
11. **Gunakan peralatan pelindung diri. Sentiasa pakai pelindung mata.** Peralatan pelindung seperti topeng debu, kasut keselamatan tak mudah tergelincir, topi keselamatan atau pelindung pendengaran yang digunakan untuk keadaan yang sesuai akan mengurangkan kecederaan diri.

Pengendalian

1. **Jangan lampau jangkau. Jaga keseimbangan pada setiap masa. Sentiasa pastikan pijak anda pada cerun. Berjalan, jangan sekali-kali berlari.**
2. **Hentikan pemangkas dan keluarkan kunci, dan pastikan semua bahagian bergerak telah berhenti sepenuhnya:**
 - pada bila-bila masa anda meninggalkan pemangkas,
 - sebelum anda membersihkan sekatan atau membuang sumbatan pada pelongsor,
 - sebelum memeriksa, bersihkan atau bekerja dengan pemangkas,
 - selepas terkena objek asing. Periksa pemangkas sebarang kerosakan dan baiki sebelum memulakan semula dan mengendalikan pemangkas,
 - setiap kali pemangkas mula bergetar tidak seperti biasa.
3. **Jangan sekali-kali mengendalikan pemangkas dengan pengadang atau pelindung yang telah rosak, atau tanpa alat keselamatan, sebagai contoh pemesong dan/atau pengumpul rumput di tempatnya.**
4. **Elakkan menggunakan pemangkas dalam keadaan cuaca yang buruk terutama apabila terdapat risiko kilat.**
5. **Pakai perlindungan mata dan kasut kuat pada setiap masa semasa mengendalikan mesin pemangkas.**
6. **Kendalikan pemangkas hanya pada siang hari atau dalam cahaya buatan yang baik.**
7. **Hidupkan pemangkas dengan berhati-hati mengikut arahan dan kaki berada jauh dari bilah.**
8. **Berwaspada terhadap kecederaan pada kaki dan tangan daripada bilah pemangkas.**
9. **Sentiasa pastikan yang bukaan pengudaraan bebas daripada habuk.**
10. **Pangkas merentasi muka cerun, jangan sekali-kali ke atas dan ke bawah. Amalkan lebih pengawasan semasa mengubah arah pada cerun. Jangan memangkas secara berlebihan pada cerun curam.**
11. **Gunakan lebih pengawasan semasa menterbalikkan atau menarik pemangkas ke arah anda.**
12. **Hentikan bilah jika pemangkas hendak dicondongkan untuk mengangkut apabila menyeberangi permukaan selain daripada rumput, dan apabila mengangkut pemangkas ke dan dari kawasan untuk digunakan.**
13. **Jangan condongkan pemangkas semasa menghidupkan motor, kecuali jika pemangkas hendak dicondongkan untuk hidup. Dalam keadaan ini, jangan setgetkan ia lebih daripada yang diperlukan dan angkat hanya bahagian yang jauh daripada pengendali. Sentiasa memastikan bahawa kedua-dua tangan berada dalam kedudukan pengendalian sebelum mengembalikan pemangkas ke tanah.**
14. **Jangan letakkan tangan atau kaki berdekatan atau di bawah bahagian berputar. Sentiasa pastikan bukaan buangan bersih setiap masa.**
15. **Jangan angkat pemangkas semasa pemangkas dihidupkan.**
16. **Elakkan mengendalikan pemangkas dalam rumput yang basah.**
17. **Sentiasa pegang dengan kemas pada pemegang.**
18. **Jangan genggam bilah pemotong yang terdedah atau tepi pemotongan semasa mengutip atau memegang pemangkas.**
19. **Jauhkan tangan dan kaki daripada bilah berputar. Awas - Bilah meluncur selepas pemangkas dimatikan.**
20. **Hentikan operasi serta-merta jika anda mendapati sesuatu yang luar biasa. Matikan pemangkas dan keluarkan kunci. Kemudian, periksa pemangkas.**
21. **Jangan sekali-kali cuba membuat pelarasan ketinggian pemotongan semasa pemangkas sedang berjalan jika pemangkas mempunyai ciri pelarasan ketinggian pemangkas.**
22. **Lepaskan tuil suis dan tunggu putaran bilah berhenti sebelum menyeberang jalan masuk rumah, laluan, jalan dan sebarang kawasan kerikil. Juga keluarkan kekunci jika anda meninggalkan pemangkas, mencapai untuk mengutip atau mengeluarkan sesuatu dari laluan anda, atau sebarang sebab lain yang mungkin mengganggu perkara yang sedang anda lakukan.**
23. **Jika pemangkas terkena objek asing, ikuti langkah berikut:**
 - Hentikan pemangkas, lepaskan tuil suis dan tunggu sehingga bilah berhenti sepenuhnya.
 - Keluarkan kekunci kunci dan kartrij bateri.
 - Periksa pemangkas dengan teliti bagi melihat sebarang kerosakan.
 - Gantikan bilah jika ia rosak dalam apa keadaan pun. Baiki sebarang kerosakan sebelum memulakan semula dan meneruskan operasi pemangkas.
24. **Jangan hidupkan pemangkas semasa berdiri di hadapan bukaan buangan.**

25. Jika pemangkas mula bergetar secara tidak normal (periksa serta-merta)
 - periksa kerosakan,
 - ganti atau baiki mana-mana bahagian yang rosak,
 - periksa dan ketatkan mana-mana bahagian longgar.
 26. Jangan sekali-kali mengarahkan bahan yang dilepaskan ke arah sesiapa sahaja. Elakkan daripada mengeluarkan bahan bertentangan dinding atau halangan. Bahan boleh memantul kembali ke arah pengendali. Hentikan bilah ketika melintasi permukaan kerikil.
 27. Jangan tarik pemangkas ke belakang melainkan jika perlu. Jika anda memaksa menyokong pemangkas dari pagar atau halangan lain yang sama, lihat ke bawah dan belakang sebelum dan semasa menggerakkan ke belakang.
 28. Matikan motor dan tunggu hingga bilah selesai berhenti sebelum mengeluarkan penangkap rumput. Berhati-hati bahawa bilah meluncur selepas dimatikan.
 29. Apabila anda menggunakan mesin di tanah berlumpur, cerun basah, atau tempat yang licin, beri perhatian kepada kedudukan anda.
 30. Elakkan bekerja di persekitaran teruk di mana meningkatkan keletihan pengguna.
 31. Jangan gunakan mesin dalam cuaca buruk di mana penglihatan yang terhad. Kegagalan berbuat demikian boleh menyebabkan pengendalian jatuh atau tidak betul kerana jarak penglihatan yang rendah.
 32. Jangan menenggelamkan mesin ke dalam lopak.
 33. Apabila daun atau kotoran basah melekat pada mulut sedutan (tetingkap pengudaraan) akibat hujan, keluarkannya.
 34. Jangan gunakan mesin dalam salji.
 35. Jika rumput dipotong basah, ia mungkin tersumbat di dalam mesin. Semak keadaan mesin dengan kerap, dan keluarkan rumput yang melekat seperti diperlukan.
 36. Semasa mengendalikan mesin, beri perhatian kepada paip dan pendawaian.
 37. Tidak menggunakan bekalan kuasa yg dikodkan dgn tali seperti penyesuai bateri atau pek kuasa mudah alih dengan mesin ini. Kabel bekalan kuasa mungkin menghalang pengendalian dan mengakibatkan kecederaan peribadi.
5. Periksa bakul rumput secara kerap untuk sebarang kehausan atau kecacatan. Untuk penyimpanan, sentiasa pastikan bakul rumput kosong. Menggantikan bakul rumput yang lama dengan pengganti kilang baru untuk keselamatan.
 6. Gunakan hanya bilah asli pengeluar yang dinyatakan dalam manual ini.
 7. Berhati-hati semasa pelarasan pemangkas untuk mengelakkan jari terperangkap di antara bilah bergerak dan bahagian tetap pemangkas.
 8. Periksa bolt lekatan bilah secara kerap untuk melihat memastikan ia diketatkan dengan betul.
 9. Sentiasa biarkan pemangkas sejuk sebelum menyimpan.
 10. Semasa menservis bilah, sentiasa beringat, walaupun sumber kuasa telah dimatikan, bilah masih boleh bergerak.
 11. Jangan sekali-kali mengeluarkan atau menyentuh peranti keselamatan. Semak operasi yang betul dengan kerap. Jangan sekali-kali melakukan apa-apa untuk mengganggu fungsi yang dimaksudkan untuk peranti keselamatan atau untuk mengurangkan perlindungan yang disediakan oleh peranti keselamatan.
 12. Jangan biarkan mesin di luar rumah tanpa pengawasan di dalam hujan.
 13. Jangan basuh mesin dengan air tekanan yang tinggi.
 14. Apabila mencuci mesin, pastikan anda mengeluarkan bateri dan kekunci dan tutup penutup bateri, dan tuangkan air ke bahagian bawah mesin yang dipasangkan bilah.
 15. Semasa menyimpan mesin, elakkan cahaya matahari dan hujan secara langsung, dan simpan di tempat yang tidak panas atau lembap.
 16. Melakukan pemeriksaan atau penyelenggaraan di tempat di mana hujan dapat dielakkan.
 17. Selepas menggunakan mesin, keluarkan kotoran yang melekat dan keringkan mesin sepenuhnya sebelum menyimpan. Bergantung kepada musim atau kawasan, terdapat risiko kerosakan akibat pembekuan.

Penggunaan dan penjagaan alat bateri

1. Cas semula dengan pengecas yang ditentukan oleh pengeluar sahaja. Pengecas yang sesuai untuk satu jenis pek bateri mungkin menimbulkan risiko kebakaran apabila digunakan dengan pek bateri lain.
 2. Gunakan alat kuasa dengan pek bateri yang ditentukan secara khusus sahaja. Penggunaan mana-mana pek bateri lain mungkin menimbulkan risiko kecederaan dan kebakaran.
 3. Apabila pek bateri tidak digunakan, jauhkan daripada objek logam lain, seperti klip kertas, duit syiling, paku, skru atau objek logam kecil lain, yang boleh membuat sambungan dari satu terminal ke terminal yang lain. Memintas terminal bateri bersama-sama mungkin menyebabkan lecuran atau kebakaran.
- Penyelenggaraan dan penyimpanan**
1. Gantikan bahagian yang haus atau rosak untuk keselamatan. Gunakan alat ganti dan aksesori gantian yang asli sahaja.
 2. Memeriksa dan mengekalkan pemangkas dengan kerap.
 3. Apabila tidak guna, simpan pemangkas jauh daripada kanak-kanak.
 4. Pastikan semua nat, bolt dan skru ketat untuk memastikan alat dalam keadaan kerja yang selamat.

4. Di bawah keadaan kasar, cecair mungkin dikeluarkan daripada bateri; elakkan sentuhan. Jika tersentuh secara tidak sengaja, siram dengan air. Jika cecair terkena mata, dapatkan bantuan perubatan di samping siraman air. Cecair yang dikeluarkan dari bateri mungkin menyebabkan kegatalan atau lecuran.
5. Jangan gunakan pek bateri atau alat yang rosak atau diubah suai. Bateri yang rosak atau diubah suai mungkin menunjukkan perilaku yang tidak dijangka menyebabkan kebakaran, letupan atau risiko kecederaan.
6. Jangan dedahkan pek bateri atau alat kepada api atau suhu yang berlebihan. Pendedahan kepada api atau suhu melebihi 130 °C mungkin menyebabkan letupan.
7. Ikut semua arahan pengecasan dan jangan cas pek bateri atau alat di luar julat suhu yang ditetapkan dalam arahan. Mengecas dengan tidak betul atau pada suhu di luar julat yang dinyatakan mungkin merosakkan bateri dan meningkatkan risiko kebakaran.

Keselamatan elektrik dan bateri

1. Jangan hapuskan bateri dengan membakarnya. Sel mungkin meletup. Periksa dengan kod tempatan untuk kemungkinan arahan pelupusan khas.
2. Jangan buka atau merosakkan bateri. Elektrolit yang dibebaskan adalah menghakis dan boleh menyebabkan kerosakan kepada mata atau kulit. Ia mungkin toksik jika tertelan.
3. Jangan cas bateri dalam hujan, atau di lokasi yang basah.
4. Jangan cas bateri di luar.
5. Jangan pegang pengecas, termasuk palam pengecas, dan terminal pengecas dengan tangan basah.
6. Jangan menggantikan bateri dalam hujan.
7. Jangan basuh terminal bateri dengan cecair seperti air, atau menenggelamkan bateri. Jangan biarkan bateri yang dalam hujan, atau caj, penggunaan, atau simpan bateri di tempat yang lembap atau basah. Jika terminal basah atau cecair masuk ke dalam bateri, bateri boleh litar pintas terdapat risiko terlalu panas, terbakar, atau letupan.
8. Selepas mengeluarkan bateri dari mesin atau pengecas, pastikan memasang penutup bateri ke bateri dan simpannya di tempat yang kering.
9. Jangan ganti bateri dengan tangan basah.

Servis

1. Pastikan alat kuasa anda diservis oleh orang yang berkelayakan dengan hanya menggunakan alat ganti yang sama. Ini akan memastikan keselamatan alat kuasa dapat dikekalkan.
2. Jangan servis pek bateri yang telah rosak. Servis pek bateri hanya boleh dilakukan oleh pengeluar atau penyedia servis yang sah.

SIMPAN ARAHAN INI.

AMARAN: JANGAN biarkan keselesaan atau kebiasaan dengan produk (daripada penggunaan berulang) menggantikan pematuhan ketat terhadap peraturan keselamatan untuk produk yang ditetapkan.

SALAH GUNA atau kegagalan mematuhi peraturan-peraturan keselamatan yang dinyatakan dalam manual arahan ini boleh menyebabkan kecederaan diri yang serius.

Arahan keselamatan penting untuk kartrij bateri

1. Sebelum menggunakan kartrij bateri, baca semua arahan dan tanda amaran pada (1) pengecas bateri, (2) bateri, dan (3) produk menggunakan bateri.
2. Jangan buka atau cabut kartrij bateri. Ia boleh mengakibatkan kebakaran, haba berlebihan, atau letupan.
3. Jika masa operasi menjadi sangat pendek, berhenti operasi serta merta. Ia mungkin menyebabkan risiko pemanasan lampau, melecur bahkan letupan.
4. Jika elektrolit masuk ke dalam mata anda, bilas mata dengan air jernih dan dapatkan rawatan perubatan serta merta. Ia mungkin menyebabkan kehilangan penglihatan.
5. Jangan pintaskan kartrij bateri:
 - (1) Jangan sentuh terminal dengan bahan berkonduksi.
 - (2) Elakkan menyimpan kartrij bateri dalam bekas bersama-sama objek besi lain seperti paku, duit syiling, dll.
 - (3) Jangan dedahkan kartrij bateri kepada air atau hujan.
 Pintasan bateri boleh menyebabkan aliran kuasa yang besar, pemanasan lampau, melecur dan juga kerosakan.
6. Jangan simpan dan gunakan alat dan kartrij bateri di lokasi yang suhunya mungkin mencapai atau melebihi 50 °C (122 °F).
7. Jangan bakar kartrij bateri walaupun jika ia rosak teruk atau haus sepenuhnya. Kartrij bateri boleh meletup dalam kebakaran.
8. Jangan paku, potong, pecahkan, buang, jatuhkan kartrij bateri, atau tekan objek keras pada kartrij bateri. Perbuatan sedemikian boleh mengakibatkan kebakaran, haba berlebihan, atau letupan.
9. Jangan gunakan bateri yang rosak.

10. **Bateri litium ion yang terkandung adalah tertakluk kepada keperluan Perundangan Barangan Berbahaya.**
Bagi pengangkutan komersil cth. oleh pihak ketiga, ejen penghantar, keperluan khas pada pembungkusan dan pelabelan mestilah diperhatikan.
Bagi persediaan item yang dihantar, berunding dengan pakar bahan berbahaya adalah diperlukan. Sila juga perhatikan sebolehnya peraturan kebangsaan yang lebih terperinci. Lekatkan atau balut bahagian terbuka dan pek bateri supaya ia tidak bergerak dalam pembungkusan.
11. **Apabila melupuskan kartrij bateri, keluarkan ia daripada alat dan lupuskan ia di tempat selamat. Ikut peraturan tempatan anda mengenai pelupusan bateri.**
12. **Gunakan bateri hanya dengan produk yang ditentukan oleh Makita.** Memasang bateri kepada produk yang tidak patuh mungkin menyebabkan kebakaran, pemanasan lampau, atau kebocoran elektrolit.
13. **Jika alat tidak digunakan untuk tempoh masa yang lama, bateri mesti dikeluarkan daripada alat.**
14. **Semasa dan selepas penggunaan, kartrij bateri mungkin ada haba yang boleh menyebabkan terbakar atau suhu rendah terbakar. Beri perhatian kepada pengendalian kartrij bateri yang panas.**
15. **Jangan sentuh terminal alat itu selepas digunakan kerana ia mungkin panas menyebabkan terbakar.**
16. **Jangan biarkan cip, habuk, atau tanah terperangkap ke dalam terminal, lubang, dan alur kartrij bateri.** Ia mungkin menyebabkan prestasi atau pecahan yang buruk dari alat atau kartrij bateri.
17. **Melainkan alat ini menyokong penggunaan yang hampir dari talian kuasa elektrik voltan tinggi, jangan gunakan kartrij bateri berhampiran talian kuasa elektrik voltan tinggi.** Ia mungkin menyebabkan kerosakan atau pecah pada alat atau kartrij bateri.
18. **Jauhkan bateri daripada kanak-kanak.**

SIMPAN ARAHAN INI.

⚠PERHATIAN: Hanya gunakan bateri asli Makita. Penggunaan bateri tidak asli Makita, atau bateri yang telah diubah suai, mungkin menyebabkan bateri meletup menyebabkan kebakaran, kecederaan diri dan kerosakan. Ia juga membatalkan jaminan Makita untuk alat Makita dan pengecas.

Tip untuk mengekalkan hayat bateri maksimum

1. **Cas kartrij bateri sebelum ternyahcas sepenuhnya. Sentiasa hentikan operasi alat dan cas kartrij bateri apabila anda menyedari kurang kuasa alat.**
2. **Jangan cas semula kartrij bateri yang dicas sepenuhnya. Terlebih cas memendekkan hayat servis bateri.**

3. **Cas kartrij bateri dengan suhu bilik pada 10 °C - 40 °C (50 °F - 104 °F). Biarkan kartrij bateri yang panas menyejuk sebelum mengecasnya.**
4. **Apabila tidak menggunakan kartrij bateri, tanggalkannya dari alat atau pengecas.**
5. **Cas kartrij bateri jika anda tidak gunakannya untuk tempoh yang lama (lebih daripada enam bulan).**

PEMASANGAN

⚠AMARAN: Sentiasa pastikan kekunci dan kartrij bateri dikeluarkan sebelum menjalankan sebarang kerja pada pemangkas. Kegagalan untuk mengeluarkan kekunci dan kartrij bateri mungkin menyebabkan kecederaan peribadi yang serius daripada permulaan tanpa sengaja.

⚠AMARAN: Jangan sekali-kali hidupkan pemangkas melainkan ia telah dipasang sepenuhnya. Pengendalian alat dalam keadaan separa pasang mungkin mengakibatkan kecederaan peribadi yang serius daripada permulaan tanpa sengaja.

Memasang pemegang

NOTIS: Semasa memasang pemegang, posisikan wayar supaya ia tidak tersangkut oleh apa sahaja di antara pemegang. Jika kord telah rosak, suis pemangkas mungkin tidak berfungsi.

1. Menyelaraskan lubang pada pemegang bawah dengan lubang di alat pemangkas, kemudian ketatkan 4 bolt untuk sementara waktu.
► **Rajah1:** 1. Pemegang bawah 2. Bolt
2. Ketatkan 4 bolt yang telah diketatkan sementara dalam langkah 1 menggunakan kotak sepana 13.
3. Menyelaraskan lubang pada pemegang bawah dengan lubang pada pemegang atas, kemudian masukkan bolt dari dalam, kemudian ketatkan nat dari luar dengan kotak sepana 13. Lakukan prosedur yang sama di kedudukan lain.
► **Rajah2:** 1. Bolt 2. Pemegang bawah 3. Nat 4. Lubang 5. Pemegang atas

⚠PERHATIAN: Pegang pemegang atas dengan tegas agar tidak terlepas dari tangan anda. Jika tidak, pemegang boleh jatuh dan menyebabkan kecederaan.

4. Pasang pemegang kepada pemegang.
Menyelaraskan tonjol pada pemegang dengan lubang pada pemegang supaya tonjol muat dalam lubang. Posisikan kord seperti yang ditunjukkan di dalam rajah.
► **Rajah3:** 1. Kord 2. Pemegang

Mengeluarkan plag sungkupan

1. Buka penutup belakang.
► **Rajah4:** 1. Penutup belakang
2. Tanggalkan plag sungkupan sambil menahan tuil.
► **Rajah5:** 1. Tuil 2. Plag sungkupan

Memasang atau mengeluarkan bakul rumput

Untuk memasang bakul rumput, ikuti langkah-langkah di bawah.

1. Buka penutup belakang.
► **Rajah6:** 1. Penutup belakang
2. Memegang pemegang bakul rumput, dan kemudian menyangkut bakul rumput di batang alat pemangkas seperti yang ditunjukkan dalam rajah.
► **Rajah7:** 1. Batang 2. Pemegang 3. Bakul rumput

Untuk mengeluarkan rumput, buka penutup belakang, dan kemudian keluarkan bakul rumput dengan memegang pemegang.

Merapatkan plag sungkupan

1. Buka penutup belakang, dan kemudian keluarkan bakul rumput.
► **Rajah8:** 1. Penutup belakang 2. Bakul rumput
2. Merapatkan plag sungkupan sambil menahan tuil, kemudian lepaskan tuil untuk mengunci plag sungkupan.
► **Rajah9:** 1. Tuil 2. Plag sungkupan

KETERANGAN FUNGSI

Memasang atau mengeluarkan kartrij bateri

⚠PERHATIAN: Sentiasa matikan mesin sebelum memasang atau mengeluarkan kartrij bateri.

⚠PERHATIAN: Pegang mesin dan kartrij bateri dengan kukuh apabila memasang atau mengeluarkan kartrij bateri. Kegagalan untuk memegang mesin dan kartrij bateri dengan kukuh boleh menyebabkan ia terlepas daripada tangan anda dan mengakibatkan kerosakan kepada mesin dan kartrij bateri serta kecederaan diri.

⚠PERHATIAN: Pastikan anda mengunci penutup bateri sebelum penggunaan. Jika tidak, lumpur, kotoran atau air boleh mengakibatkan kerosakan pada produk atau kartrij bateri.

⚠PERHATIAN: Sentiasa pasang kartrij bateri sepenuhnya sehingga penunjuk merah tidak boleh dilihat. Jika tidak, ia mungkin jatuh daripada mesin, menyebabkan kecederaan kepada anda atau seseorang di sekeliling anda.

⚠PERHATIAN: Jangan pasang kartrij bateri secara paksa. Jika kartrij tidak meluncur dengan mudah, ia tidak dimasukkan dengan betul.

NOTA: Mesin tidak berfungsi dengan hanya satu kartrij bateri.

Untuk memasang kartrij bateri;

1. Tarik tuil penguncian, dan kemudian buka penutup bateri.
► **Rajah10:** 1. Penutup bateri 2. Tuil penguncian
2. Menyelaraskan lidah pada kartrij bateri dengan slot mesin, dan kemudian luncurkan kartrij sehingga ia terkunci di tempat dengan hanya satu klik.
► **Rajah11:** (1) Port bateri 1 (2) Port bateri 2 (3) Kartrij bateri

NOTA: Pasang sekurang-kurangnya 2 kartrij bateri ke port bateri 1 atau port bateri 2.

3. Masukkan kekunci kunci pada tempat yang ditunjukkan dalam rajah sejauh yang boleh.

► **Rajah12:** 1. Kekunci kunci

4. Tutup penutup bateri dan tolak ia sehingga ia melekap pada tuil penguncian.

Untuk mengeluarkan kartrij bateri;

1. Tarik tuil penguncian dan kemudian buka penutup bateri.
2. Tarik keluar kartrij bateri daripada mesin apabila meluncurkan butang di hadapan kartrij.
3. Tarik kekunci kunci.
4. Tutup penutup bateri.

Menukar kartrij bateri

► Rajah13: 1. Suis pemilihan bateri

Mesin ini menggunakan 2 kartrij bateri untuk operasi satu masa. Sehingga 4 kartrij bateri boleh dipasang kepada mesin. Sebelum mengendalikan mesin, pilih port bateri 1 atau bateri port 2 dengan memutar suis pemilihan bateri.

NOTA: Jika hanya 2 kartrij bateri dipasang ke mesin, pastikan anda memilih port bateri yang dipasang kartrij bateri menggunakan suis pemilihan bateri.

Sistem perlindungan bateri / mesin

Mesin dilengkapi dengan sistem perlindungan bateri/ mesin. Sistem ini memutuskan kuasa kepada motor secara automatik untuk memanjangkan hayat mesin dan bateri. Mesin akan berhenti secara automatik ketika operasi jika mesin atau bateri diletakkan di bawah salah satu syarat yang berikut:

Perlindungan lebih beban

Jika bateri telah dikendalikan mengikut cara yang menyebabkan ia menarik semasa arus luar biasa tinggi, mesin berhenti secara automatik dan lampu kuasa utama berkelip dengan warna hijau. Dalam situasi ini, matikan mesin dan hentikan penggunaan yang menyebabkan mesin menjadi terlebih beban. Kemudian hidupkan mesin untuk mula semula.

Perlindungan pemanasan lampau

Apabila mesin atau bateri terlalu panas, mesin berhenti secara automatik dan lampu kuasa utama menyala merah. Dalam situasi ini, biarkan alat dan bateri sejuk sebelum hidupkan mesin semula.

Perlindungan lebih nyahcas

Apabila kapasiti bateri tidak mencukupi, mesin berhenti secara automatik dan lampu kuasa utama berkedip merah. Dalam kes ini, keluarkan bateri dari mesin dan cas kartrij bateri atau menukar kartrij bateri kepada yang dicas sepenuhnya.

Menunjukkan kapasiti bateri yang tinggal

Hanya untuk kartrij bateri dengan penunjuk

► Rajah14: 1. Lampu penunjuk 2. Butang semak

Tekan butang semak pada kartrij bateri untuk menunjukkan kapasiti bateri yang tinggal. Lampu penunjuk menyala untuk beberapa saat.

Lampu penunjuk			Kapasiti yang tinggal
Dinyalakan	Mati	Berkelip	
			75% hingga 100%
			50% hingga 75%
			25% hingga 50%
			0% hingga 25%
			Cas bateri.
			Bateri mungkin telah rosak.

NOTA: Bergantung kepada keadaan penggunaan dan suhu persekitaran, penunjuk mungkin berbeza sedikit daripada kapasiti sebenar.

NOTA: Lampu penunjuk (kiri jauh) pertama akan berkedip apabila sistem perlindungan bateri berfungsi.

Panel kawalan

Panel kawalan mempunyai suis kuasa utama, butang pensuisan mod, dan penunjuk baki kapasiti bateri.

► **Rajah15:** 1. Penunjuk bateri 2. Lampu pensuisan mod 3. Lampu kuasa utama 4. Butang semak 5. Butang pensuisan mod 6. Suis kuasa utama

Suis kuasa utama

⚠AMARAN: Sentiasa matikan suis kuasa utama apabila tidak digunakan.

Untuk menghidupkan mesin, tekan kuasa utama. Lampu kuasa utama menyala hijau. Untuk matikan mesin, tekan kuasa utama sekali lagi.

NOTA: Jika lampu kuasa utama menyala merah atau berkelip merah atau hijau, rujuk kepada arahan untuk sistem perlindungan mesin/bateri.







NOTA: Mesin ini menggunakan fungsi kuasa auto. Untuk mengelakkan permulaan yang tidak disengajakan, suis kuasa utama akan dimatikan secara automatik apabila tuil suis dan tuil pemacu (jika dilengkapi) tidak ditarik untuk tempoh tertentu selepas suis kuasa utama dihidupkan.

Butang pensuisan mod

Anda boleh menukar mod operasi dengan menekan butang pensuisan mod. Apabila mesin dihidupkan, mesin mula dalam mod biasa. Apabila anda menekan butang pensuisan mod, mesin bertukar ke mod pengurangan bunyi dan lampu pensuisan mod menyala hijau. Dalam mod pengurangan bunyi, anda boleh mengurangkan bunyi bising semasa memangkas. Apabila anda menekan butang pensuisan mod sekali lagi, mesin akan kembali ke mod biasa.

Menunjukkan kapasiti bateri yang tinggal

Tekan butang semak untuk menunjukkan kapasiti bateri yang tinggal. Penunjuk bateri sepadan dengan setiap bateri.

Status penunjuk bateri		Kapasiti bateri yang tinggal
Hidup	Mati	
		50% - 100%
		20% - 50%
		0% - 20%

NOTA: Lampu penunjuk untuk baki kapasiti bateri adalah hanya untuk rujukan. Kapasiti bateri sebenar mungkin berbeza bergantung kepada keadaan penggunaan.

NOTA: Sebelum anda menekan butang semak untuk menunjukkan kapasiti bateri yang tinggal, hentikan mesin.

Tindakan suis

AMARAN: Sebelum memasang kartrij bateri, sentiasa periksa untuk melihat tuil suis bergerak dengan betul dan kembali ke posisi asal apabila dilepaskan. Mengendalikan mesin dengan suis yang tidak bergerak dengan betul boleh menyebabkan hilang kawalan dan kecederaan diri yang serius.

NOTA: Pemangkas tidak dapat dihidupkan tanpa menekan butang suis walaupun jika tuil suis ditarik.

NOTA: Pemangkas mungkin tidak akan mula kerana terlalu banyak apabila anda cuba memotong rumput panjang atau tebal pada satu masa. Meningkatkan ketinggian memangkas dalam kes ini.

Pemangkas ini dilengkapi dengan suis kekunci dan suis pemegang. Jika anda perhatikan sebarang perkara luar biasa sama ada dengan suis atau kekunci ini, hentikan operasi serta-merta dan periksa dengan Pusat Servis Sah Makita berdekatan anda.

1. Pasang kartrij bateri. Masukkan kekunci dan kemudian, tutup penutup bateri.
2. Pilih kartrij bateri yang digunakan untuk operasi dengan menukar suis pemilihan bateri.
3. Tekan suis kuasa utama.
4. Tarik tuil suis ke arah anda semasa memegang butang suis. Lepaskan butang suis sejeurus motor mula berjalan.

► **Rajah16:** 1. Butang suis 2. Tuil suis

NOTA: Jika kekunci tidak dimasukkan, lampu kuasa berkedip hijau apabila anda menarik tuil suis.

5. Semasa memegang tuil suis, tekan tuil pemacu ke hadapan dan tahan untuk memacu roda belakang.

► **Rajah17:** 1. Memacu tuil

NOTA: Anda boleh memacu roda belakang dengan menolak tuil pemacu ke hadapan dan tahan tanpa menarik tuil suis.

6. Lepaskan tuil pemacu dan tuil suis untuk menghentikan mesin.

Laraskan ketinggian memangkas

AMARAN: Jangan sekali-kali letakkan tangan atau kaki di bawah unit pemangkas semasa melaraskan ketinggian memangkas.

AMARAN: Sentiasa pastikan tuil sepadan dengan alur dengan betul sebelum operasi.

Ketinggian memangkas boleh dilaraskan dalam julat antara 20 mm dan 100 mm.

Keluarkan kekunci, kemudian tarik tuil pelaras ketinggian memangkas ke luar alat pemangkas dan gerakkannya ke ketinggian memangkas yang anda inginkan.

► **Rajah18:** 1. Tuil pelaras ketinggian memangkas

Jadual di bawah menunjukkan perhubungan di antara nombor di badan pemangkas dan anggaran ketinggian memangkas.

Nombor	Ketinggian memangkas
1	20 mm
2	26 mm
3	32 mm
4	39 mm
5	47 mm
6	55 mm
7	63 mm
8	74 mm
9	86 mm
10	100 mm

Pegang cengkaman depan atau pemegang bawah dengan satu tangan, dan kemudian gerakkan tuil pelaras ketinggian memangkas dengan tangan yang lain.

- **Rajah19:** 1. Tuil pelaras ketinggian memangkas
2. Pemegang bawah 3. Genggaman depan

NOTA: Nilai ketinggian memangkas hendaklah digunakan hanya sebagai garis panduan. Bergantung kepada keadaan rumput atau tanah, ketinggian rumput yang sebenar mungkin menjadi sedikit berbeza daripada ketinggian set.

NOTA: Cuba uji pemangkasan rumput di tempat mudah dilihat untuk mendapatkan ketinggian yang anda kehendaki.

Penunjuk paras rumput

Penunjuk paras rumput menunjukkan volum rumput yang dipangkas. Apabila bakul rumput tidak penuh, penunjuk terapung sementara bilah bergerak.

- **Rajah20:** 1. Penunjuk paras rumput

Semasa bakul rumput penuh hampir penuh, penunjuk tidak terapung sementara bilah bergerak. Dalam keadaan ini, hentikan operasi serta-merta dan kosongkan bakul.

- **Rajah21:** 1. Penunjuk paras rumput

NOTA: Penunjuk ini adalah panduan secara kasar. Bergantung kepada keadaan di dalam bakul, penunjuk ini mungkin tidak berfungsi dengan betul.

Laraskan ketinggian pemegang

⚠PERHATIAN: Sebelum mengeluarkan bolt, tahan pemegang bahagian dengan perlahan-lahan. Jika tidak, pemegang boleh jatuh dan menyebabkan kecederaan.

Ketinggian pemegang boleh dilaraskan dalam dua tahap.

1. Mengeluarkan bolt atas daripada pemegang bawah menggunakan kotak sepina 13, dan kemudian melonggarkan bolt yang lebih rendah.

- **Rajah22:** 1. Bolt atas 2. Bolt bawah

2. Laras ketinggian pemegang, dan kemudian ketatkan bolt atas dan bawah dengan perlahan-lahan.

Melaraskan kelajuan pergerakan

- **Rajah23:** 1. Tuil kelajuan

Kelajuan pergerakan boleh dilaraskan dengan tuil kelajuan. Untuk mengurangkan kelajuan, tarik tuil ke arah anda, dan untuk meningkatkan kelajuan, pusing tuil ke hadapan.

Menggunakan plag sungkupan

Plag sungkupan membolehkan anda menjadikan potongan rumput pada tanah tanpa mengumpul potongan rumput di dalam bakul rumput. Apabila anda mengendalikan mesin dengan plag sungkupan, pastikan untuk mengeluarkan bakul rumput.

NOTIS: Apabila menggunakan mesin dengan plag sungkupan, pastikan panjang rumput adalah 30 mm atau lebih, atau panjang potongan 15 mm atau kurang.

- **Rajah24:** (1) 30 mm atau lebih (2) 15 mm atau kurang

Menggunakan nyahcas belakang

Menggunakan nyahcas belakang membolehkan anda melepaskan rumput memotong ke tanah dari bahagian belakang mesin tanpa mengumpul rumput potong di bakul rumput.

Apabila anda mengendalikan mesin menggunakan nyahcas belakang, pastikan anda mengeluarkan bakul rumput dan plag sungkupan, dan tutup penutup belakang.

Fungsi elektronik

Mesin ini dilengkapi dengan fungsi elektronik untuk operasi mudah.

- Kawalan kelajuan malar putaran bilah Kawalan kelajuan elektronik untuk mendapatkan kelajuan malar. Boleh mendapatkan kemasangan yang halus, kerana kelajuan berputar sentiasa malar walaupun di bawah keadaan beban.
- Bermula perlahan semasa memandu Fungsi bermula perlahan mengurangkan permulaan mengejut, dan menjadikan mesin bermula secara lancar.
- Brek elektrik Mesin ini dilengkapi dengan brek elektrik. Jika mesin tersebut secara konsisten gagal untuk menghentikan bilah pemangkas selepas melepaskan tuil suis, hantar mesin tersebut di Pusat Perkhidmatan yang Dibenarkan Makita.

OPERASI

Memangkas

⚠AMARAN: Sebelum memangkas, alihkan kayu dan batu dari kawasan memangkas. Kemudian, alihkan sebarang rumpai dari kawasan memangkas dahulu.

⚠AMARAN: Sentiasa pakai goggles keselamatan atau kaca mata keselamatan dengan pelindung sisi semasa mengendalikan pemangkas.

⚠PERHATIAN: Jika potongan rumput atau objek asing menghalang dalam badan pemangkas, pastikan anda mengeluarkan kunci dan kartrij bateri dan pakai sarung tangan sebelum mengeluarkan rumput atau objek asing.

NOTIS: Gunakan mesin ini untuk memangkas rumput sahaja. Jangan memangkas rumput dengan mesin ini.

- **Rajah25**

Pegang perlahan-lahan dengan kedua-dua tangan apabila memangkas. Garis panduan kelajuan memangkas adalah kira-kira 7 ke 14 meter 10 sesaat.
► **Rajah26**

Barisan tengah roda hadapan adalah panduan untuk lebar pemangkasan. Menggunakan garis tengah sebagai garis panduan, memangkas jalur. Melakukan penindihan separuh hingga satu pertiga jalur sebelumnya untuk memangkas rumput secara rata.
► **Rajah27:** 1. Lebar pemangkasan 2. Kawasan pertindihan 3. Garis tengah

Menukar arah memotong setiap masa untuk mengelakkan corak tekstur rumput membentuk hanya dalam satu arah.
► **Rajah28**

Periksa secara berkala bakul rumput untuk memangkas rumput. Kosongkan rumput sebelum ia menjadi penuh. Sebelum pemeriksaan berkala, pastikan berhenti memangkas dan keluarkan kekunci dan kartrij bateri.

NOTIS: Menggunakan pemangkas dengan bakul rumput yang penuh menghalang kelancaran putaran bilah dan mengenakan beban lebihan pada motor yang boleh menyebabkan kerosakan.

Memangkas laman yang berumput panjang

Jangan cuba untuk memotong rumput panjang terus. Sebaliknya, memangkas rumput mengikut langkah-langkah. Tinggalkan satu atau dua hari antara pemangkasan sehingga rumput menjadi sama rata.
► **Rajah29**

NOTA: Memangkas rumput yang panjang kepada pendek menyebabkan rumput mati. Rumput yang di potong juga boleh menghalang alat pemangkas.

Mengosongkan bakul rumput

AMARAN: Untuk mengurangkan risiko kemalangan, periksa bakul rumput secara kerap untuk sebarang kerosakan atau kekuatan yang lemah. Gantikan bakul rumput jika perlu.

1. Lepaskan tuil suis dan tuil pemacu.
2. Keluarkan kekunci kunci.
3. Buka penutup belakang dan keluarkan bakul rumput dengan memegang pemegang.
► **Rajah30:** 1. Penutup belakang 2. Pemegang 3. Bakul rumput
4. Kosongkan bakul rumput.

PENYELENGGARAN

AMARAN: Sentiasa pastikan yang kekunci dan kartrij bateri dikeluarkan daripada pemangkas sebelum menyimpan atau mencuba untuk pemeriksaan atau penyelenggaraan.

AMARAN: Sentiasa keluarkan kekunci pemangkas tidak digunakan. Simpan kekunci kunci di tempat yang selamat jauh daripada jangkauan kanak-kanak.

AMARAN: Pakai sarung tangan semasa melakukan pemeriksaan atau penyelenggaraan.

AMARAN: Sentiasa pakai goggles keselamatan atau kaca mata keselamatan dengan pelindung sisi apabila melakukan pemeriksaan atau penyelenggaraan.

NOTIS: Jangan gunakan petrol, benzin, pencair, alkohol atau bahan yang serupa. Ia boleh menyebabkan perubahan warna, bentuk atau keretakan.

Untuk mengekalkan KESELAMATAN dan KEBOLEHPERCAYAAN produk, pembaikan, apa-apa penyelenggaraan atau penyesuaian lain perlu dilakukan oleh Kilang atau Pusat Servis Makita yang Diiktiraf, sentiasa gunakan alat ganti Makita.

Penyelenggaraan

1. Masukkan kekunci dan kemudian kartrij bateri, tutup penutup bateri.
2. Letak pemangkas pada sisinya dan bersihkan keratan rumput yang berkumpul di bawah geladak pemangkas.
3. Tuangkan air ke bahagian bawah mesin di mana bilah diletakkan.
NOTIS: Jangan basuh mesin dengan air tekanan yang tinggi.
4. Periksa keketatan semua nat, bolt, tombol, skru, pengikat dll.
5. Periksa bahagian yang bergerak bagi melihat sebarang kerosakan, keretakan dan kehausan. Bahagian rosak atau hilang perlu diperbaiki atau digantikan.
6. Menyimpan pemangkas di tempat yang selamat jauh daripada jangkauan kanak-kanak.

NOTIS: Jangan tuang air kepada kawasan yang ditunjukkan dalam rajah tersebut. Menuang air ke unit motor boleh menyebabkan kerosakan mesin.

- **Rajah31:** 1. Kawasan di mana air tidak boleh dituangkan

Membawa pemangkas

Apabila membawa pemangkas, tahan genggam depan dan belakang dengan dua orang seperti yang ditunjukkan dalam rajah.

- **Rajah32:** 1. Genggam depan 2. Genggam belakang

Penyimpanan

Simpan pemangkas di dalam tempat tertutup yang sejuk, kering dan berkunci. Jangan simpan pemangkas dan pengecas di lokasi yang suhunya mungkin mencapai atau melebihi 40°C.

Mengeluarkan atau memasang bilah pemangkas

⚠️AMARAN: Bilah meluncur untuk beberapa saat selepas suis dilepaskan. Jangan mula sebarang operasi sehingga bilah berhenti sepenuhnya.

⚠️AMARAN: Sentiasa keluarkan kekunci kunci dan kartrij bateri semasa mengeluarkan atau memasang bilah. Kegagalan untuk mengeluarkan kekunci kunci dan kartrij bateri boleh menyebabkan kecederaan yang serius.

⚠️AMARAN: Sentiasa pakai sarung tangan semasa mengendalikan bilah.

Mengeluarkan bilah pemangkas

1. Letak pemangkas pada sisinya supaya tuil pelaras ketinggian pemangkas terletak pada sisi atas.
2. Untuk mengunci bilah, masukkan pin ke lubang pada alat pemangkas.
3. Putar bolt lawan jam dengan kotak sepana 17.
▶ **Rajah33:** 1. Bilah pemangkas 2. Pin 3. Kotak sepana
4. Keluarkan bolt, dan kemudian bilah pemangkas.
▶ **Rajah34:** 1. Sokongan bilah 2. Bilah pemangkas 3. Bolt 4. Tonjol

NOTIS: Apabila memasang bilah pemangkas, pastikan bahawa tonjol pada sokongan bilah sesuai di dalam lubang dalam bilah pemangkas.

Memasang bilah pemangkas

⚠️AMARAN: Pasang bilah pemangkas dengan berhati-hati. Ia menghadap atas/bawah.

⚠️AMARAN: Ketatkan bolt ikut arah jam dengan kemas untuk mengukuhkan bilah.

⚠️AMARAN: Pastikan bilah pemangkas dan semua bahagian pemasangan dipasang dengan betul dan diketatkan dengan selamat.

⚠️AMARAN: Apabila anda menggantikan bilah, sentiasa ikut arahan yang disediakan dalam manual ini.

NOTIS: Selepas memasang bilah pemangkas, keluarkan pin dari alat pemangkas.

Untuk memasang bilah pemangkas ikuti prosedur mengeluarkan secara terbalik.

PENYELESAIAN MASALAH

Sebelum meminta pembaikan, jalankan pemeriksaan sendiri terlebih dahulu. Jika anda dapati masalah yang tidak diterangkan dalam manual, jangan cuba untuk menanggalkan mesin. Sebaliknya, tanya Pusat Servis Sah Makita, sentiasa gunakan alat ganti Makita untuk pembaikan.

Keadaan keabnormalan	Sebab yang mungkin (pincang tugas)	Remedi
Pemangkas tidak dapat dihidupkan.	Dua kartrij bateri tidak dipasang.	Pasang dua kartrij bateri yang dikenakan.
	Masalah bateri (voltan rendah)	Cas semula kartrij bateri. Jika mengecas tidak berkesan, gantikan kartrij bateri.
	Kekunci kunci tidak dimasukkan.	Masukkan kekunci kunci.
	Suis pemilihan bateri tidak berada dalam kedudukan yang betul.	Meningkatkan ketinggian pemotongan. Pilih port bateri yang dipasang kartrij bateri menggunakan suis pemilihan bateri.
Motor berhenti berfungsi selepas digunakan seketika.	Tahap bateri terlalu rendah.	Cas semula kartrij bateri. Jika mengecas tidak berkesan, gantikan kartrij bateri.
	Ketinggian pemotongan terlalu rendah.	Meningkatkan ketinggian pemotongan.
	Potong rumput tersumbat di pemangkas.	Keluarkan rumput yang tersumbat dari mesin pemangkas.
Motor tidak mencapai RPM maksimum.	Kartrij bateri tidak dipasang dengan betul.	Pasang kartrij bateri seperti yang diterangkan dalam manual ini.
	Kuasa bateri berkurangan.	Cas semula kartrij bateri. Jika mengecas tidak berkesan, gantikan kartrij bateri.
	Sistem pacuan tidak berfungsi dengan betul.	Tanya pusat servis sah tempatan anda untuk pembaikan.
Bilah pemangkas tidak berputar: ⇒ hentikan memangkas serta-merta!	Objek asing seperti ranting tersangkut berdekatan bilah.	Keluarkan objek asing.
	Sistem pacuan tidak berfungsi dengan betul.	Tanya pusat servis sah tempatan anda untuk pembaikan.
Getaran tidak normal: ⇒ hentikan memangkas serta-merta!	Bilah tidak seimbang, terlebih haus atau haus tidak sekata.	Gantikan bilah.

AKSESORI PILIHAN

⚠ PERHATIAN: Aksesori atau lampiran ini disyorkan untuk digunakan dengan mesin Makita yang dinyatakan dalam manual ini. Penggunaan mana-mana aksesori atau alat tambahan lain mungkin mengakibatkan risiko kecederaan kepada orang. Hanya gunakan aksesori atau alat tambahan untuk tujuan yang dinyatakan.

Jika anda memerlukan sebarang bantuan untuk maklumat lebih lanjut mengenai aksesori ini, tanya Pusat Perkhidmatan Makita tempatan anda.

- Bilah pemangkas
- Bateri dan pengecas asli Makita

NOTA: Beberapa item dalam senarai mungkin disertakan dalam pakej produk sebagai aksesori standard. Item mungkin berbeza mengikut negara.

THÔNG SỐ KỸ THUẬT

Kiểu máy:		DLM533
Chiều rộng cắt cỏ (đường kính lưỡi cắt)		534 mm
Tốc độ không tải		2.300 min ⁻¹
Tốc độ tối đa		2.800 min ⁻¹
Số bộ phận của lưỡi cắt có thay thế	Lưỡi cắt cỏ thẳng	191D52-7 / 191W87-2
Kích thước (Dài x Rộng x Cao)		Dài: 1.655 mm đến 1.740 mm Rộng: 590 mm Cao: 990 mm đến 1.100 mm
Tốc độ di chuyển		2,5 - 5,0 km/h
Điện áp định mức		D.C. 36 V
Khối lượng tịnh	Khi lắp lưỡi cắt cỏ thẳng	42,6 - 46,4 kg
Cấp bảo vệ		IPX4

- Do chương trình nghiên cứu và phát triển liên tục của chúng tôi nên các thông số kỹ thuật trong đây có thể thay đổi mà không cần thông báo trước.
- Các thông số kỹ thuật có thể thay đổi tùy theo từng quốc gia.
- Khối lượng có thể khác nhau tùy thuộc vào (các) phụ kiện, bao gồm cả hộp pin. Tổ hợp nhẹ nhất và nặng nhất, theo Quy trình EPTA 01/2014, được trình bày trong bảng.

Hộp pin có thể áp dụng

BL1815N / BL1820 / BL1820B / BL1830 / BL1830B / BL1840 / BL1840B / BL1850 / BL1850B / BL1860B

- Một số hộp pin được nêu trong danh sách ở trên có thể không khả dụng tùy thuộc vào khu vực cư trú của bạn.

⚠ CẢNH BÁO: Chỉ sử dụng hộp pin được nêu trong danh sách ở trên. Việc sử dụng bất cứ hộp pin nào khác có thể gây ra thương tích và/hoặc hỏa hoạn.

⚠ CẢNH BÁO: Không sử dụng nguồn điện có dây chẳng hạn như bộ chuyển đổi pin hoặc bộ cấp nguồn di động đeo vai cho máy này. Cấp của nguồn cấp điện đó có thể cản trở vận hành và gây thương tích cá nhân.

Ký hiệu

Phản dưới đây cho biết các ký hiệu có thể được dùng cho thiết bị. Đảm bảo rằng bạn hiểu rõ ý nghĩa của các ký hiệu này trước khi sử dụng.

	Hãy cẩn thận và đặc biệt chú ý.
	Đọc tài liệu hướng dẫn.
	Nguy hiểm; chú ý các đối tượng bị ném.
	Khoảng cách giữa dụng cụ và người xung quanh ít nhất phải là 15 m.
	Không bao giờ để tay hoặc chân của bạn gần lưỡi cắt bên dưới xe cắt cỏ. Lưỡi cắt sẽ tiếp tục quay sau khi tắt động cơ.
	Rút chìa khóa trước khi kiểm tra, điều chỉnh, vệ sinh, bảo dưỡng, cho máy nghỉ và cất giữ xe cắt cỏ.
	Nguy hiểm về điện. Tiếp xúc với nước có thể gây điện giật.
	Không làm đổ nước.



Ni-MH
Li-ion

Chỉ dành cho các quốc gia EU

Do có các thành phần nguy hiểm bên trong thiết bị điện và điện tử, ắc quy và pin thải bỏ nên có thể có tác động không tốt đến môi trường và sức khỏe con người. Không vứt bỏ các thiết bị điện và điện tử hoặc pin với rác thải sinh hoạt!

Theo Chỉ thị của Châu Âu về thiết bị điện và điện tử thải bỏ và về pin và ắc quy và pin và ắc quy thải bỏ, cũng như sự thích ứng của chúng với luật pháp quốc gia, các thiết bị điện, pin và ắc quy thải phải được cất giữ riêng biệt và chuyển đến một điểm thu gom rác thải đô thị riêng, hoạt động theo các quy định về bảo vệ môi trường. Điều này được biểu thị bằng biểu tượng thùng rác có bánh xe gạch chéo được đặt trên thiết bị.



Mức công suất âm thanh được đảm bảo theo Chỉ thị về tiếng ồn ngoài trời của EU.



Mức công suất âm thanh theo Quy định kiểm soát tiếng ồn NSW của Úc

Mục đích sử dụng

Máy này được dùng để cắt cỏ.

CẢNH BÁO AN TOÀN

CÁC HƯỚNG DẪN AN TOÀN QUAN TRỌNG

⚠ CẢNH BÁO: Đọc tất cả các cảnh báo an toàn và tất cả hướng dẫn. Việc không tuân theo các cảnh báo và hướng dẫn có thể dẫn đến điện giật, hỏa hoạn và/hoặc thương tích nghiêm trọng.

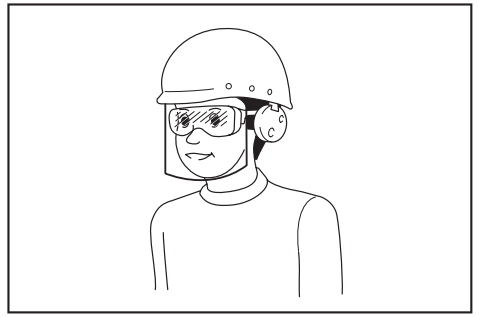
Lưu giữ tất cả cảnh báo và hướng dẫn để tham khảo sau này.

Hướng dẫn

1. Đọc hướng dẫn cẩn thận. Làm quen với việc điều khiển và cách sử dụng máy cắt cỏ đúng cách.
2. Không bao giờ cho phép trẻ em hoặc những người không có hiểu biết về các hướng dẫn này sử dụng xe cắt cỏ. Các quy định của địa phương có thể hạn chế độ tuổi của người vận hành.
3. Không bao giờ vận hành xe cắt cỏ này khi có người, đặc biệt là trẻ em hoặc thú cưng ở gần.
4. Hãy nhớ rằng người vận hành hoặc người sử dụng phải chịu trách nhiệm về tai nạn hoặc nguy hiểm xảy ra cho người khác hoặc tài sản của họ.
5. Trẻ em cần được giám sát để đảm bảo rằng chúng sẽ không nghịch xe cắt cỏ.
6. Điều kiện thể chất - Không vận hành xe cắt cỏ khi đang chịu ảnh hưởng của ma túy, rượu hoặc bất kỳ loại thuốc nào.

Chuẩn bị

1. Trong khi vận hành xe cắt cỏ, luôn mang giày đủ tiêu chuẩn và quần dài. Không vận hành xe cắt cỏ khi chân trần hoặc mang dép không cài quai. Tránh mặc quần áo rộng hoặc đeo trang sức lỏng lẻo thông hoặc những vật có dây treo hoặc nút buộc. Chúng có thể bị mắc kẹt vào các bộ phận di chuyển.
2. Trước khi sử dụng, luôn kiểm tra bằng mắt xem máy cắt cỏ có bị hư hỏng, thiếu hay đặt sai phần bảo vệ hoặc tấm bảo vệ hay không.
3. Đảm bảo khu vực cắt không có người khác trước khi cắt. Ngừng xe cắt cỏ nếu có bất kỳ ai đi vào khu vực cắt cỏ.
4. Không tra chìa khóa vào máy cắt cỏ cho đến khi máy sẵn sàng để sử dụng.
5. Luôn luôn mang kính bảo hộ để bảo vệ mắt khỏi bị thương khi đang sử dụng các dụng cụ máy. Kính bảo hộ phải tuân thủ ANSI Z87.1 ở Mỹ, EN 166 ở Châu Âu, hoặc AS/NZS 1336 ở Úc/New Zealand. Tại Úc/New Zealand, theo luật pháp, bạn cũng phải mang mặt nạ che mặt để bảo vệ mắt.



- Trách nhiệm của chủ lao động là bắt buộc người vận hành dụng cụ và những người khác trong khu vực làm việc cạnh đó phải sử dụng các thiết bị bảo hộ an toàn thích hợp.
6. Kiểm tra các lưỡi cắt hoặc bu lông lưỡi cắt cẩn thận máy có bị nứt hoặc hư hỏng gì không trước khi vận hành. Thay thế các lưỡi cắt hoặc bu lông lưỡi cắt bị nứt hoặc hư hỏng ngay lập tức.
 7. Loại bỏ các ngoại vật như đá, dây điện, chai lọ, xương và các cành cây lớn khỏi khu vực làm việc trước khi cắt để tránh thương tích cá nhân hoặc làm hỏng xe cắt cỏ.
 8. Các vật dụng lưỡi cắt có cắt văng ra có thể gây thương tích nghiêm trọng cho con người. Bãi cỏ luôn cần được kiểm tra cẩn thận và dọn sạch tất cả các đồ vật trước mỗi lần cắt cỏ.
 9. Cẩn thận với các lỗ, vết lõm, chỗ lồi lên, đá hoặc các vật bị khuất khác. Địa hình không bằng phẳng có thể gây ra tai nạn trượt ngã. Cỏ cao có thể che khuất các vật cản.
 10. Không tra hoặc rút chìa khóa dưới trời mưa.
 11. Sử dụng thiết bị bảo hộ cá nhân. Luôn đeo thiết bị bảo vệ mắt. Các thiết bị bảo hộ như mặt nạ chống bụi, giày an toàn chống trượt, mũ bảo hộ hay thiết bị bảo vệ thính giác được sử dụng trong các điều kiện thích hợp sẽ giúp giảm thương tích cá nhân.

Vận hành

1. Không vọt quá cao. Luôn giữ thăng bằng tại mọi thời điểm. Luôn đảm bảo chỗ để chân trên mặt nghiêng. Chỉ đi bộ, không được chạy.
2. Dừng máy cắt cỏ, tháo chìa khóa và đảm bảo các bộ phận chuyển động phải chuyển sang trạng thái dừng hoàn toàn:
 - bắt cứ khi nào bạn rời khỏi xe cắt cỏ,
 - trước khi làm thông chỗ tắc nghẽn hoặc tháo máng chắn,
 - trước khi kiểm tra, làm sạch hoặc làm việc trên xe cắt cỏ,
 - sau khi gỡ bỏ ngoại vật. Kiểm tra hư hỏng của máy cắt cỏ và sửa chữa trước khi khởi động lại và vận hành máy cắt cỏ,
 - bắt cứ khi nào máy cắt cỏ bắt đầu rung chấn bất thường.
3. Không bao giờ vận hành xe cắt cỏ với phần bảo vệ hoặc tấm bảo vệ hỏng, hoặc không có thiết bị an toàn, ví dụ như tấm chắn và/hoặc gioi đệm cỏ ở đúng vị trí.
4. Tránh sử dụng máy cắt cỏ trong điều kiện thời tiết xấu, đặc biệt là khi có nguy cơ sấm sét.

5. Đeo dụng cụ bảo vệ mắt và mang giày bền chắc tại mọi thời điểm trong khi vận hành máy cắt cỏ.
6. Chỉ vận hành xe cắt cỏ vào ban ngày hoặc trong điều kiện ánh sáng nhân tạo tốt.
7. Bật xe cắt cỏ cẩn thận theo hướng dẫn và với chân luôn cách xa khỏi (các) lưỡi cắt.
8. Hãy cẩn thận để không làm tổn thương chân và tay do lưỡi cắt cỏ.
9. Luôn đảm bảo rằng các lỗ mờ thông gió không có mảnh vụn.
10. Cắt ngang mặt nghiêng, không bao giờ đưa lên xuống. Đặc biệt thận trọng khi thay đổi hướng trên mặt nghiêng. Không cắt quá lâu trên mặt nghiêng đứng.
11. Đặc biệt cẩn trọng khi lùi hoặc kéo xe cắt cỏ về phía bạn.
12. Ngừng (các) lưỡi cắt nếu xe cắt cỏ cần phải đặt nghiêng để vận chuyển khi đi qua các bề mặt không phải cỏ, và khi vận chuyển xe cắt cỏ đến và từ khu vực được sử dụng.
13. Không nghiêng máy cắt cỏ khi bật động cơ, trừ khi máy cắt cỏ cần phải đặt nghiêng để khởi động. Trong trường hợp này, không nghiêng nếu không hoàn toàn cần thiết và chỉ nâng bộ phận cách xa người vận hành. Luôn đảm bảo rằng cả hai tay đang ở vị trí vận hành trước khi đưa máy cắt cỏ xuống đất.
14. Không để tay hoặc chân ở gần hoặc ở dưới các bộ phận đang quay. Giữ sạch cửa xả tại mọi thời điểm.
15. Không vận chuyển xe cắt cỏ trong khi bật xe cắt cỏ.
16. Tránh vận hành xe cắt cỏ trên cỏ ướt.
17. Luôn cầm chặt tay nắm.
18. Không cầm nắm lưỡi cắt lờ ra hoặc cạnh lưỡi cắt khi nhắc lên hoặc cầm xe cắt cỏ.
19. Giữ tay và chân tránh xa lưỡi cắt đang quay. Cẩn trọng - Lưỡi cắt chạy theo đà quán tính sau khi tắt xe cắt cỏ.
20. Ngừng vận hành ngay lập tức nếu bạn nhận thấy bất cứ điều gì khác thường. Tắt máy cắt cỏ và rút chia khóa. Sau đó kiểm tra máy cắt cỏ.
21. Nếu máy cắt cỏ có tính năng điều chỉnh chiều cao cắt, không được cố điều chỉnh chiều cao cắt trong khi máy cắt cỏ đang chạy.
22. Nhà cần công tắc và đợi vòng quay lưỡi cắt dừng lại trước khi băng qua lối đi, đường đi, con đường, và bất kỳ khu vực rải sỏi nào. Cũng phải rút chia khóa ra nếu bạn rời khỏi máy cắt cỏ, tiếp cận để nhắc hoặc lấy thứ gì đó ra khỏi đường đi của bạn, hoặc vì lý do nào khác có thể làm bạn xao lãng khỏi những gì bạn đang làm.
23. Nếu xe cắt cỏ va phải ngoại vật, làm theo các bước sau:
 - Ngừng xe cắt cỏ, nhà cần công tắc và chờ đến khi lưỡi cắt dừng hoàn toàn.
 - Rút chia khóa và tháo hộp pin.
 - Kiểm tra cẩn thận mọi hư hỏng của xe cắt cỏ.
- Thay thế lưỡi cắt nếu bị hư hỏng dưới bất kỳ hình thức nào. Sửa chữa mọi hư hỏng trước khi khởi động lại và tiếp tục vận hành xe cắt cỏ.
24. Không khởi động xe cắt cỏ khi đứng trước cửa xả.
25. Nếu xe cắt cỏ bắt đầu rung bất thường (kiểm tra ngay lập tức)
 - kiểm tra hư hỏng,
 - thay thế hoặc sửa chữa các bộ phận bị hỏng,
 - kiểm tra và vận chặt các bộ phận bị lỏng.
26. Tuyệt đối không hướng vật liệu xả về phía bất kỳ ai. Tránh xả vật liệu vào tường hoặc vật cản. Vật liệu có thể nảy bật lại về phía người vận hành. Dừng lưỡi cắt khi đi qua bề mặt có sỏi.
27. Không kéo máy cắt cỏ về phía sau trừ khi thật cần thiết. Khi bạn buộc phải khống chế máy cắt cỏ từ hàng rào hoặc vật cản tương tự khác, hãy nhìn xuống dưới và phía sau trước và trong khi di chuyển về phía sau.
28. Tắt động cơ và đợi cho đến khi lưỡi cắt cỏ dừng hẳn trước khi tháo bộ thu gom cỏ. Để phòng lưỡi cắt chạy theo đà quán tính sau khi tắt.
29. Khi bạn sử dụng máy trên mặt đất bùn lầy, sườn dốc ẩm ướt, hoặc nơi trơn trượt, hãy chú ý đến chỗ để chân của bạn.
30. Tránh làm việc trong môi trường có điều kiện không tốt, nơi người dùng dễ cảm thấy mệt mỏi hơn.
31. Không sử dụng máy khi thời tiết xấu hạn chế khả năng hiển thị. Nếu không làm như vậy có thể gây ra té ngã hoặc vận hành không chính xác do tầm nhìn thấp.
32. Không nhúng máy vào vũng nước.
33. Khi lá ướt hoặc bụi bẩn dính vào đầu hút (lỗ thông gió) do mưa, hãy loại bỏ những vật đó.
34. Không sử dụng máy dưới trời tuyết.
35. Nếu cỏ đã cắt bị ướt, cỏ có khả năng bị tắc nghẽn bên trong máy. Thường xuyên kiểm tra tình trạng của máy, và loại bỏ cỏ dính vào khi cần thiết.
36. Khi vận hành máy, hãy chú ý đến đường ống và dây dẫn.
37. Không sử dụng nguồn điện có dây chằng hạn như bộ chuyển đổi pin hoặc bộ cấp nguồn di động đeo vai cho máy này. Cấp của nguồn cấp điện đó có thể cản trở vận hành và gây thương tích cá nhân.

Bảo dưỡng và cất giữ

1. Thay thế các bộ phận bị mòn hoặc bị hỏng để an toàn. Chỉ sử dụng phụ tùng và các bộ phận thay thế chính hãng.
2. Kiểm tra và bảo dưỡng máy cắt cỏ thường xuyên.
3. Khi không sử dụng, cất giữ máy cắt cỏ ngoài tầm với trẻ em.
4. Giữ cho tất cả các đai ốc, bu-lông, ốc vít đều vận chặt để đảm bảo thiết bị ở trong điều kiện làm việc an toàn.
5. Thường xuyên kiểm tra giò đựng cỏ xem có bị mòn hay xuống cấp không. Đối với việc cất giữ, luôn đảm bảo giò đựng cỏ rỗng. Thay thế giò đựng cỏ đã mòn bằng thiết bị thay thế nhà máy mới để an toàn.

- Chỉ sử dụng các lưới cắt chính hãng của nhà sản xuất được quy định trong sách hướng dẫn này.
- Cẩn thận khi điều chỉnh xe cắt cỏ để tránh kẹt các ngón tay ở giữa lưới cắt đang di chuyển và các bộ phận cố định của xe cắt cỏ.
- Thường xuyên kiểm tra bu-lông gắn lưới cắt xem có vận chặt đúng cách không.
- Luôn để cho xe cắt cỏ nguội trước khi cắtหญ้า.
- Khi bảo trì lưới cắt phải nhận thức rằng, mặc dù nguồn điện đã được tắt, lưới cắt vẫn có thể di chuyển được.
- Tuyệt đối không tháo hoặc làm thay đổi các thiết bị an toàn. Kiểm tra việc vận hành đúng cách của các thiết bị này thường xuyên. Tuyệt đối không làm bất cứ việc gì để can thiệp vào chức năng như được thiết kế của thiết bị an toàn hoặc để giảm sự bảo vệ do thiết bị an toàn đem đến.
- Không để máy ngoài trời mà không có người giám sát dưới trời mưa.
- Không rửa máy bằng nước với áp suất cao.
- Khi rửa máy, hãy đảm bảo đã tháo pin, chìa khóa và đóng nắp đầy pin, đổ nước về phía phần đáy của máy nơi lưới cắt được gắn vào.
- Khi cắtหญ้า, tránh ánh nắng trực tiếp và mưa, cắtหญ้า ở nơi không nóng hoặc ẩm ướt.
- Thực hiện kiểm tra hoặc bảo dưỡng ở nơi có thể tránh mưa.
- Sau khi sử dụng máy, hãy loại bỏ bụi bẩn dính vào và làm khô máy hoàn toàn trước khi cất giữ. Tùy thuộc vào mùa hoặc khu vực, máy có nguy cơ trực trực do đóng băng.

Sử dụng và bảo quản dụng cụ dùng pin

- Chỉ sạc pin lại với bộ sạc do nhà sản xuất quy định. Bộ sạc phù hợp với một loại bộ pin này có thể gây ra nguy cơ hỏa hoạn khi được dùng cho một bộ pin khác.
- Chỉ sử dụng các dụng cụ máy với các bộ pin được quy định cụ thể. Việc sử dụng bất cứ bộ pin nào khác có thể gây ra thương tích và hỏa hoạn.
- Khi không sử dụng bộ pin, hãy giữ tránh xa các đồ vật khác bằng kim loại, chẳng hạn như kẹp giấy, tiền xu, chìa khóa, đinh, ốc vít hoặc các vật nhỏ bằng kim loại mà có thể làm nổi tất các đầu cực pin. Các đầu cực pin bị đoản mạch có thể gây cháy hoặc hỏa hoạn.
- Trong điều kiện sử dụng quá mức, pin có thể bị chảy nước; hãy tránh tiếp xúc. Nếu vô tình tiếp xúc với pin bị chảy nước, hãy rửa sạch bằng nước. Nếu dung dịch từ pin tiếp xúc với mắt, cần đi khám bác sĩ thêm. Dung dịch chảy ra từ pin có thể gây rát da hoặc bỏng.
- Không sử dụng bộ pin hoặc dụng cụ bị hư hỏng hoặc đã bị sửa đổi. Pin đã bị hư hỏng hoặc đã bị sửa đổi có thể hành động theo cách không thể đoán trước dẫn đến cháy, nổ hoặc nguy cơ chấn thương.
- Không để bộ pin hoặc dụng cụ tiếp xúc với lửa hoặc nhiệt độ quá cao. Tiếp xúc với lửa hoặc nhiệt độ trên 130 °C có thể gây ra cháy nổ.

- Làm theo tất cả các hướng dẫn sạc pin và không được sạc bộ pin hoặc dụng cụ vượt giới hạn nhiệt độ quy định trong hướng dẫn. Sạc pin không đúng hoặc ở nhiệt độ vượt giới hạn nhiệt độ có thể gây hư hỏng cho pin và làm tăng nguy cơ cháy.

An toàn về điện và pin

- Không thả bỏ (các) viên pin vào lửa. Viên pin có thể phát nổ. Kiểm tra bằng mã địa phương để biết hướng dẫn thái bộ đặc biệt nếu có.
- Không mở hay cắt xén (các) viên pin. Chất điện phân thải ra có tính ăn mòn và có thể gây tổn thương cho mắt hoặc da. Có thể độc hại nếu nuốt phải.
- Không sạc pin trong mưa, hoặc nơi ẩm ướt.
- Không sạc pin ở ngoài trời.
- Không tháo tác bộ sạc, bao gồm phích cắm của bộ sạc, và điện cực của bộ sạc bằng tay ướt.
- Không thay pin dưới trời mưa.
- Không làm ướt điện cực của pin bằng chất lỏng ví dụ như nước, hoặc nhân chìm pin. Không để pin dưới trời mưa, không sạc, sử dụng, hoặc cất giữ pin ở nơi ẩm hoặc ướt. Nếu điện cực bị ướt hoặc có chất lỏng lọt vào bên trong pin, pin có thể bị đoản mạch và có nguy cơ quá nhiệt, cháy hoặc nổ.
- Sau khi tháo pin ra khỏi máy hoặc bộ sạc, hãy đảm bảo đã gắn nắp đầy pin vào pin và cất giữ ở nơi khô ráo.
- Không thay pin bằng tay ướt.

Bảo dưỡng

- Để nhân viên sửa chữa đủ trình độ bảo dưỡng dụng cụ máy của bạn và chỉ sử dụng các bộ phận thay thế đồng nhất. Việc này sẽ đảm bảo duy trì được độ an toàn của dụng cụ máy.
- Không bao giờ sử dụng bộ pin đã hỏng. Dịch vụ bảo hành bộ pin chỉ nên thực hiện bởi nhà sản xuất hoặc các nhà cung cấp dịch vụ được ủy quyền.

LƯU GIỮ CÁC HƯỚNG DẪN NÀY.

⚠ CẢNH BÁO: KHÔNG vì đã thoải mái hay quen thuộc với sản phẩm (có được do sử dụng nhiều lần) mà không tuân thủ nghiêm ngặt các quy định về an toàn dành cho sản phẩm này.

VIỆC DÙNG SAI hoặc không tuân theo các quy định về an toàn được nêu trong tài liệu hướng dẫn này có thể dẫn đến thương tích cá nhân nghiêm trọng.

Hướng dẫn quan trọng về an toàn dành cho hộp pin

- Trước khi sử dụng hộp pin, hãy đọc kỹ tất cả các hướng dẫn và dấu hiệu cảnh báo trên (1) bộ sạc pin, (2) pin và (3) sản phẩm sử dụng pin.
- Không tháo rời hoặc làm thay đổi hộp pin. Việc này có thể dẫn đến hỏa hoạn, quá nhiệt hoặc nổ.

3. Nếu thời gian vận hành ngắn hơn quá mức, hãy ngừng vận hành ngay lập tức. Điều này có thể dẫn đến rùi rò quá nhiệt, có thể gây bỏng và thậm chí là nổ.
4. Nếu chất điện phân rơi vào mắt, hãy rửa sạch bằng nước sạch và đến cơ sở y tế ngay lập tức. Chất này có thể khiến bạn giảm thị lực.
5. Không để hộp pin ở tình trạng đoản mạch:
 - (1) Không chạm vào cực pin bằng vật liệu dẫn điện.
 - (2) Tránh cất giữ hộp pin trong hộp có các vật kim loại khác như đinh, tiền xu, v.v...
 - (3) Không được để hộp pin tiếp xúc với nước hoặc mưa.

Đoản mạch pin có thể gây ra dòng điện lớn, quá nhiệt, có thể gây bỏng và thậm chí là hỏng hóc.

6. Không cất giữ cũng như sử dụng dụng cụ và hộp pin ở nơi nhiệt độ có thể lên tới hoặc vượt quá 50 °C (122 °F).
7. Không đốt hộp pin ngay cả khi hộp pin đã bị hư hại nặng hoặc hư hỏng hoàn toàn. Hộp pin có thể nổ khi tiếp xúc với lửa.
8. Không đóng đinh, cắt, nghiền nát, ném, làm rơi hộp pin hoặc va vật cứng vào hộp pin. Làm như thế có thể dẫn đến hỏa hoạn, quá nhiệt hoặc nổ.
9. Không sử dụng pin đã hỏng.
10. Pin nén lithium-ion là đối tượng có yêu cầu bắt buộc theo Luật Hàng hoá Nguy hiểm.

Đối với vận tải thương mại, ví dụ như vận tải do bên thứ ba, đại lý giao nhận, thì yêu cầu đặc biệt về đóng gói và nhãn ghi phải được giám sát.

Để chuẩn bị cho mặt hàng cần vận chuyển, cần phải tham khảo ý kiến chuyên gia về vật liệu nguy hiểm. Nếu được, vui lòng tuân thủ các quy định quốc gia chi tiết hơn.

Buộc hoặc niêm phong các tiếp điểm mở và đóng gói pin theo cách đó để nó không thể di chuyển trong bao bì.

11. Khi vứt bỏ hộp pin, hãy tháo chúng khỏi dụng cụ và tháo bỏ ở nơi an toàn. Phải tuân thủ theo các quy định của địa phương liên quan đến việc thải bỏ pin.
12. Chỉ sử dụng pin cho các sản phẩm Makita chỉ định. Lắp pin vào sản phẩm không thích hợp có thể gây ra hỏa hoạn, quá nhiệt, nổ, hoặc rò chất điện phân.
13. Nếu dụng cụ không được sử dụng trong một thời gian dài, cần phải tháo pin ra khỏi dụng cụ.
14. Trong và sau khi sử dụng, hộp pin có thể bị nóng, có thể gây bỏng hoặc bỏng ở nhiệt độ thấp. Chú ý xử lý hộp pin nóng.
15. Không chạm vào điện cực của dụng cụ ngay sau khi sử dụng vì điện cực đủ nóng để gây bỏng.
16. Không để vụn bào, bụi hoặc đất bám vào các điện cực, lỗ và rãnh của hộp pin. Việc này có thể dẫn đến hiệu suất kém hoặc hỏng hóc dụng cụ hay hộp pin.

17. Trừ khi dụng cụ hỗ trợ sử dụng gần đường dây điện cao thế, không sử dụng hộp pin gần đường dây điện cao thế. Việc này có thể dẫn đến trực trặc hoặc hỏng hóc dụng cụ hay hộp pin.
18. Giữ pin tránh xa trẻ em.

LƯU GIỮ CÁC HƯỚNG DẪN NÀY.

⚠ THẬN TRỌNG: Chỉ sử dụng pin Makita chính hãng. Việc sử dụng pin không chính hãng Makita, hoặc pin đã được sửa đổi, có thể dẫn đến nổ pin gây ra cháy, thương tích và thiệt hại cá nhân. Nó cũng sẽ làm mất hiệu lực bảo hành của Makita dành cho dụng cụ của Makita và bộ sạc.

Mẹo duy trì tuổi thọ tối đa cho pin

1. Sạc hộp pin trước khi pin bị xả điện hoàn toàn. Luôn dừng việc vận hành dụng cụ và sạc pin khi bạn nhận thấy công suất dụng cụ bị giảm.
2. Không được phép sạc lại một hộp pin đã được sạc đầy. Sạc quá mức sẽ làm giảm tuổi thọ của pin.
3. Sạc pin ở nhiệt độ phòng 10°C - 40°C. Để cho hộp pin nóng nguội lại dần trước khi sạc pin.
4. Khi không sử dụng hộp pin, hãy tháo hộp pin ra khỏi dụng cụ hoặc bộ sạc.
5. Sạc pin sáu tháng một lần nếu bạn không sử dụng dụng cụ trong một thời gian dài (hơn sáu tháng).

LẮP RÁP

⚠ CẢNH BÁO: Luôn đảm bảo rằng đã rút chìa khóa và tháo các hộp pin ra trước khi thực hiện bất cứ thao tác nào trên xe cắt cỏ. Không rút chìa khóa và tháo hộp pin có thể dẫn đến thương tích cá nhân nghiêm trọng do vô tình khởi động máy.

⚠ CẢNH BÁO: Không bao giờ khởi động máy cắt cỏ trừ khi nó đã được lắp ráp hoàn chỉnh. Vận hành máy trong tình trạng chỉ được lắp ráp một phần có thể dẫn đến thương tích nghiêm trọng do vô tình khởi động máy.

Lắp tay nắm

CHÚ Ý: Khi lắp tay nắm, đặt dây dẫn sao cho chúng không bị kẹt vào bất kỳ chỗ nào ở giữa các tay nắm. Nếu dây dẫn bị hỏng, công tác của xe cắt cỏ có thể không làm việc.

1. Căn chỉnh các lỗ trên tay nắm dưới khớp với các lỗ trên thân máy cắt cỏ, sau đó tạm thời vặn chặt 4 bu-lông.
- **Hình 1:** 1. Tay nắm dưới 2. Bu lông
2. Vặn chặt 4 bu-lông được vặn tạm thời ở bước 1 bằng cách sử dụng cờ lê ống lồng 13.

3. Căn chỉnh lỗ ở tay nắm dưới với lỗ ở tay nắm trên, sau đó lắp bu-lông từ bên trong, rồi vận chặt đai ốc từ bên ngoài bằng cờ lê ống lồng 13. Thực hiện quy trình giống như vậy ở bên còn lại.

► **Hình2:** 1. Bu-lông 2. Tay nắm dưới 3. Đai ốc 4. Lỗ 5. Tay nắm trên

⚠ THẬN TRỌNG: Cầm chặt tay nắm trên để nó không rơi ra khỏi tay nắm. Nếu không, tay nắm có thể rơi và gây chấn thương.

4. Gắn giá đỡ vào tay nắm.

Căn chỉnh phần nhô ra trên giá đỡ thẳng hàng với các lỗ trên tay nắm sao cho phần nhô ra vừa khớp vào các lỗ. Đặt dây điện như minh họa trong hình.

► **Hình3:** 1. Dây điện 2. Giá đỡ

Tháo chốt chặn phủ bụi

1. Mở nắp sau.

► **Hình4:** 1. Nắp sau

2. Tháo chốt chặn phủ bụi trong khi giữ cần.

► **Hình5:** 1. Cần 2. Chốt chặn phủ bụi

Lắp hoặc tháo giỏ đựng cỏ

Để lắp giỏ đựng cỏ, hãy làm theo các bước bên dưới.

1. Mở nắp sau.

► **Hình6:** 1. Nắp sau

2. Giữ tay nắm của giỏ đựng cỏ, sau đó móc giỏ đựng cỏ vào thanh chốt trên thân máy cắt như thể hiện trong hình.

► **Hình7:** 1. Thanh chốt 2. Tay cầm 3. Giỏ đựng cỏ

Để tháo giỏ đựng cỏ, mở nắp sau rồi tháo giỏ đựng cỏ ra bằng cách cầm tay cầm.

Lắp chốt chặn phủ bụi

1. Mở nắp sau, và sau đó tháo giỏ đựng cỏ.

► **Hình8:** 1. Nắp sau 2. Giỏ đựng cỏ

2. Lắp chốt chặn phủ bụi trong khi giữ cần, sau đó nhà cần để khóa chốt chặn phủ bụi.

► **Hình9:** 1. Cần 2. Chốt chặn phủ bụi

MÔ TẢ CHỨC NĂNG

Lắp hoặc tháo hộp pin

⚠ THẬN TRỌNG: Luôn tắt máy trước khi lắp hoặc tháo hộp pin.

⚠ THẬN TRỌNG: Giữ máy và hộp pin thật chắc khi lắp hoặc tháo hộp pin. Không giữ máy và hộp pin thật chắc có thể làm trượt chúng khỏi tay và làm hư hỏng máy và hộp pin hoặc gây thương tích cá nhân.

⚠ THẬN TRỌNG: Đảm bảo rằng bạn đã khóa nắp đậy pin trước khi sử dụng. Nếu không, bùn, bụi, hoặc nước có thể làm hỏng sản phẩm hoặc hộp pin.

⚠ THẬN TRỌNG: Luôn lắp hộp pin khớp hoàn toàn vào vị trí cho đến khi không thể nhìn thấy đèn chỉ báo màu đỏ. Nếu không, hộp pin có thể vô ý rơi ra khỏi máy, gây thương tích cho bạn hoặc người khác ở xung quanh.

⚠ THẬN TRỌNG: Không được dùng sức lắp hộp pin. Nếu hộp pin không nhẹ nhàng trượt vào vị trí, có nghĩa là pin vẫn chưa được lắp đúng.

LƯU Ý: Máy sẽ không hoạt động nếu chỉ có một hộp pin.

Để lắp hộp pin;

1. Kéo cần khóa, rồi sau đó mở nắp đậy pin.

► **Hình10:** 1. Nắp đậy pin 2. Cần khóa

2. Căn chỉnh phần chốt nhô ra trên hộp pin với khe trên máy rồi trượt hộp pin cho đến khi chốt khóa vào đúng vị trí với một tiếng cách nhẹ.

► **Hình11:** (1) Cổng pin 1 (2) Cổng pin 2 (3) Hộp pin

LƯU Ý: Lắp ít nhất 2 hộp pin vào cổng pin 1 hoặc cổng pin 2.

3. Tra chìa khóa vào đúng vị trí như đã thể hiện trên hình vẽ hết mức có thể.

► **Hình12:** 1. Chìa khóa

4. Đóng nắp đậy pin và đẩy cho đến khi gài được cần khóa.

Để tháo hộp pin;

1. Kéo cần khóa lên và mở nắp đậy pin.

2. Kéo hộp pin ra khỏi máy trong khi trượt nút ở phía trước hộp pin.

3. Rút chìa khóa ra.

4. Đóng nắp đậy pin.

Chuyển hộp pin

► **Hình13:** 1. Công tắc lựa chọn pin

Máy sử dụng 2 hộp pin để vận hành cùng lúc. Có thể lắp tối đa 4 hộp pin vào máy. Trước khi vận hành máy, chọn cổng pin 1 hoặc cổng pin 2 bằng cách xoay công tắc lựa chọn pin.

LƯU Ý: Nếu chỉ lắp 2 hộp pin vào máy, hãy đảm bảo đã chọn cổng pin nơi được lắp hộp pin bằng công tắc lựa chọn pin.

Hệ thống bảo vệ xe / pin

Xe này được trang bị hệ thống bảo vệ xe/pin. Hệ thống này sẽ tự động ngắt nguồn điện đến động cơ để kéo dài tuổi thọ xe và pin. Máy sẽ tự động dừng vận hành khi máy hoặc pin ở một trong những trường hợp sau đây:

Bảo vệ quá tải

Khi vận hành pin trong điều kiện làm máy tiêu tốn dòng cao bất thường, máy sẽ tự động dừng lại và đèn nguồn chính sẽ nhấp nháy màu xanh lá cây. Trong trường hợp này, hãy tắt máy và ngừng việc sử dụng đã làm cho máy trở nên quá tải. Sau đó bật máy lên để khởi động lại.

Bảo vệ quá nhiệt

Khi máy hoặc pin bị quá nhiệt, máy sẽ tự động dừng và đèn nguồn chính sẽ nhấp nháy màu đỏ. Trong trường hợp này, hãy để máy và pin nguội trước khi bật máy lại.

Bảo vệ xả điện quá mức










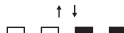
Khi dung lượng pin không đủ, máy sẽ tự động dừng và đèn nguồn chính sẽ nhấp nháy màu đỏ. Trong trường hợp này, hãy tháo pin khỏi máy và sạc pin cho hộp pin hoặc đổi hộp pin thành hộp pin khác đã sạc đầy.

Chỉ báo dung lượng pin còn lại

Chỉ dành cho hộp pin có đèn chỉ báo

► **Hình14:** 1. Các đèn chỉ báo 2. Nút Check (kiểm tra)

Ấn nút check (kiểm tra) trên hộp pin để chỉ báo dung lượng pin còn lại. Các đèn chỉ báo bật sáng lên trong vài giây.

Các đèn chỉ báo			Dung lượng còn lại
 Bật sáng	 Tắt	 Nhấp nháy	
			75% đến 100%
			50% đến 75%
			25% đến 50%
			0% đến 25%
			Sạc pin.
			Pin có thể đã bị hỏng.
			

LƯU Ý: Tùy thuộc vào các điều kiện sử dụng và nhiệt độ xung quanh, việc chỉ báo có thể khác biệt một chút so với dung lượng thực sự.

LƯU Ý: Đèn chỉ báo (phía xa bên trái) đầu tiên sẽ nhấp nháy khi hệ thống bảo vệ pin hoạt động.

Bảng điều khiển

Bảng điều khiển có công tắc nguồn chính, nút chuyển đổi chế độ, và đèn chỉ báo dung lượng pin còn lại.

► **Hình15:** 1. Đèn chỉ báo pin 2. Đèn chuyển đổi chế độ 3. Đèn nguồn chính 4. Nút Check (kiểm tra) 5. Nút chuyển đổi chế độ 6. Công tắc nguồn chính

Công tắc nguồn chính

⚠ CẢNH BÁO: Luôn luôn tắt công tắc nguồn chính khi không sử dụng.

Để bật máy, nhấn công tắc nguồn chính. Đèn nguồn chính màu xanh lá cây sáng lên. Để tắt máy, nhấn công tắc nguồn chính lần nữa.

LƯU Ý: Nếu đèn nguồn chính sáng lên màu đỏ hoặc nhấp nháy màu đỏ hay xanh lá cây, hãy tham khảo hướng dẫn dành cho hệ thống bảo vệ máy/pin.






LƯU Ý: Máy này sử dụng chức năng tắt nguồn tự động. Để tránh việc khởi động ngoài ý muốn, công tắc nguồn chính sẽ tự động tắt khi cần công tắc và cần lái (nếu có trang bị) không được kéo trong một khoảng thời gian nhất định sau khi công tắc nguồn chính được bật lên.

Nút chuyển đổi chế độ

Bạn có thể chuyển đổi chế độ vận hành bằng cách nhấn nút chuyển đổi chế độ. Khi máy được bật, máy sẽ khởi động ở chế độ bình thường. Khi bạn nhấn nút chuyển đổi chế độ, máy sẽ chuyển sang chế độ giảm tiếng ồn và đèn chuyển đổi chế độ sáng lên màu xanh lá cây. Ở chế độ giảm tiếng ồn, bạn có thể giảm tiếng ồn khi cần. Khi bạn nhấn nút chuyển đổi chế độ lần nữa, máy sẽ trở về chế độ bình thường.

Chỉ báo dung lượng pin còn lại

Ấn nút Check (kiểm tra) để chỉ báo dung lượng pin còn lại. Đèn chỉ báo pin tương ứng với từng loại pin.

Trạng thái đèn chỉ báo pin		Dung lượng pin còn lại
 Bật	 Tắt	
		50% - 100%
		20% - 50%
		0% - 20%

LƯU Ý: Các đèn chỉ báo đối với dung lượng pin còn lại chỉ dùng để tham khảo. Dung lượng pin thực tế có thể khác biệt tùy thuộc vào điều kiện sử dụng.

LƯU Ý: Trước khi nhấn nút kiểm tra để chỉ báo dung lượng pin còn lại, hãy dừng máy.

Hoạt động công tắc

⚠ CẢNH BÁO: Trước khi lắp hộp pin, luôn luôn kiểm tra xem cần công tắc có hoạt động bình thường hay không và trả về vị trí ban đầu khi nhả ra. Vận hành máy bằng công tắc không khởi động đúng có thể dẫn đến mất điều khiển và thương tích cá nhân nghiêm trọng.

LƯU Ý: Không thể khởi động xe cật có mà không nhấn nút công tắc kể cả khi cần công tắc đã được kéo.

LƯU Ý: Xe cật có có thể không khởi động do quá tải khi bạn cố cật có dài hoặc cật đặc tại một thời điểm nào đó. Tăng chiều cao cật trong trường hợp này.

Máy cật có này được trang bị chìa khóa và công tắc tay cầm. Nếu bạn nhận thấy bất cứ điều gì khác thường với chìa khóa hoặc công tắc, ngừng vận hành ngay lập tức và nhờ Trung tâm dịch vụ Makita được ủy quyền gần nhất kiểm tra chúng.

1. Để lắp hộp pin. Tra chìa khóa rồi đóng nắp hộp pin.
2. Chọn hộp pin sử dụng để vận hành bằng cách xoay công tắc lựa chọn pin.
3. Nhấn công tắc nguồn chính.
4. Kéo cần công tắc về phía bạn trong khi giữ nút công tắc. Nhả nút công tắc ngay khi động cơ bắt đầu chạy.

► **Hình16:** 1. Nút công tắc 2. Cần công tắc

LƯU Ý: Nếu chưa tra chìa khóa, đèn nguồn màu xanh lá cây sẽ nhấp nháy khi bạn kéo cần công tắc.

5. Trong khi giữ cần công tắc, đẩy cần lái về phía trước và giữ cần lái để di chuyển các bánh sau.
- **Hình17:** 1. Cần lái

LƯU Ý: Bạn có thể di chuyển các bánh sau bằng cách đẩy cần lái về phía trước và giữ cần lái mà không kéo cần công tắc.

6. Nhả cần lái và cần công tắc để dừng máy.

Điều chỉnh chiều cao cật

⚠ CẢNH BÁO: Không bao giờ đặt tay hoặc chân của bạn dưới thân máy cật khi đang điều chỉnh chiều cao cật.

⚠ CẢNH BÁO: Luôn đảm bảo rằng cần đã lắp vào rãnh đúng cách trước khi vận hành.

Chiều cao cật có thể được điều chỉnh trong khoảng giữa 20 mm và 100 mm.

Rút chìa khóa ra, rồi kéo cần điều chỉnh chiều cao cật về phía thân máy cật và di chuyển đến chiều cao cật mong muốn.

► **Hình18:** 1. Cần điều chỉnh chiều cao cật

Bảng dưới đây thể hiện mối quan hệ giữa con số trên thân máy cật và số chiều cao cật gần đúng.

Số	Chiều cao cật
1	20 mm
2	26 mm
3	32 mm
4	39 mm
5	47 mm
6	55 mm
7	63 mm
8	74 mm
9	86 mm
10	100 mm

Giữ tay cầm trước hoặc tay nắm dưới bằng một tay, sau đó di chuyển cần điều chỉnh chiều cao cật bằng tay kia.

► **Hình19:** 1. Cần điều chỉnh chiều cao cật 2. Tay nắm dưới 3. Tay cầm trước

LƯU Ý: Chỉ số chiều cao cật nên được sử dụng theo như hướng dẫn. Tùy thuộc vào điều kiện của bãi cỏ hoặc mặt đất, chiều cao cật thực tế có thể khác một chút so với chiều cao đã cài đặt.

LƯU Ý: Thử kiểm tra việc cật có ở nơi ít bị chú ý để có được chiều cao mong muốn.

Đèn chỉ báo mức cỏ

Đèn chỉ báo mức cỏ cho biết số lượng cỏ đã cật. Khi gió đung cò chưa đầy, đèn chỉ báo sẽ nhấp nháy khi lưỡi cật đang chạy.

► **Hình20:** 1. Đèn chỉ báo mức cỏ

Khi gió đung cò gần như đầy, đèn chỉ báo sẽ không nhấp nháy khi lưỡi cật đang chạy. Trong trường hợp này, ngừng vận hành ngay lập tức và đổ cỏ đi.

► **Hình21:** 1. Đèn chỉ báo mức cỏ

LƯU Ý: Đèn chỉ báo này là một hướng dẫn sơ lược. Tùy thuộc vào điều kiện bên trong gió, đèn chỉ báo này có thể sẽ không hoạt động đúng cách.

Điều chỉnh độ cao tay nắm

⚠ THẬN TRỌNG: Trước khi tháo các bu lông, giữ chặt tay nắm trên. Nếu không, tay nắm có thể rơi và gây chấn thương.

Độ cao tay nắm có thể điều chỉnh với hai mức.

1. Tháo các bu-lông trên của tay nắm dưới bằng cờ lê ống lồng 13, rồi rời lồng các bu-lông dưới.
- **Hình22:** 1. Bu-lông trên 2. Bu-lông dưới

2. Điều chỉnh chiều cao tay nắm, sau đó vận chặt bu-lông trên và bu-lông dưới.

Điều chỉnh tốc độ di chuyển

► **Hình23:** 1. Cần tốc độ

Có thể điều chỉnh tốc độ di chuyển bằng cần tốc độ. Để giảm tốc độ, hãy kéo cần về phía bạn, để tăng tốc độ, hãy xoay cần về phía trước.

Sử dụng chốt chặn phủ bụi

Chốt chặn phủ bụi cho phép bạn xả cỏ đã cắt lên mặt đất mà không cần gom cỏ vào giỏ đựng cỏ. Khi bạn vận hành máy với chốt chặn phủ bụi, hãy đảm bảo đã tháo giỏ đựng cỏ.

CHÚ Ý: Khi sử dụng máy với chốt chặn phủ bụi, đảm bảo tổng chiều dài của cỏ là 30 mm trở lên, hoặc chiều dài cắt là 15 mm trở xuống.

► **Hình24:** (1) 30 mm trở lên (2) 15 mm trở xuống

Sử dụng chức năng xả phía sau

Sử dụng chức năng xả phía sau cho phép bạn xả cỏ đã cắt lên mặt đất từ phía sau của máy mà không cần gom cỏ vào giỏ đựng cỏ.

Khi vận hành máy sử dụng chức năng xả phía sau, hãy đảm bảo bạn đã tháo giỏ đựng cỏ, chốt chặn phủ bụi và đóng nắp sau.

Chức năng điện tử

Máy này được trang bị các chức năng điện tử để dễ dàng vận hành.

- Điều khiển tốc độ không đổi của vòng quay lưỡi cắt
Điều khiển tốc độ bằng điện tử để có tốc độ không đổi. Có khả năng tạo được bề mặt hoàn thiện đẹp bởi tốc độ xoay được giữ không đổi ngay cả trong điều kiện có tải.
- Khởi động mềm khi lái
Chức năng khởi động mềm sẽ giảm tối thiểu việc rung giật lúc khởi động và làm máy khởi động nhẹ nhàng.
- Phanh điện tử
Máy này được trang bị phanh điện tử. Nếu máy không thể dừng nhanh lưỡi cắt cỏ sau khi nhà cầm công tắc, hãy đem máy đến Trung tâm dịch vụ được ủy quyền của Makita bảo hành.

VẬN HÀNH

Cắt

⚠ CẢNH BÁO: Trước khi cắt, lấy hết gậy và đá ra khỏi khu vực cắt. Ngoài ra, phải làm sạch trước cỏ dại ra khỏi khu vực.

⚠ CẢNH BÁO: Luôn mang kính bảo hộ hoặc kính an toàn có tấm chắn khi vận hành xe cắt cỏ.

⚠ THẬN TRỌNG: Nếu cỏ đã cắt hoặc dị vật chặn bên trong thân máy cắt, hãy đảm bảo đã rút chìa khóa, hộp pin và đeo găng tay trước khi loại bỏ cỏ hoặc dị vật.

CHÚ Ý: Chỉ sử dụng máy này cho mục đích cắt cỏ. Không cắt cỏ dại bằng máy này.

► **Hình25**

Cầm chặt tay nắm bằng cả hai tay khi cắt. Hướng dẫn tốc độ cắt xấp xỉ 7 đến 14 mét mỗi 10 giây.

► **Hình26**

Đường vạch trung tâm của bánh xe phía trước là đường dẫn chiều rộng cắt. Sử dụng các đường vạch trung tâm làm đường dẫn, cắt cỏ theo hàng. Cắt chông khoảng một nửa đến một phần ba lên hàng cắt trước để dễ cắt cỏ đồng đều.

► **Hình27:** 1. Chiều rộng cắt 2. Khoảng cắt chông 3. Đường vạch trung tâm

Thay đổi hướng cắt mỗi lần để tránh hình thành vạt cỏ xuôi theo một hướng.

► **Hình28**

Kiểm tra định kỳ cỏ đã cắt trong giỏ đựng cỏ. Để cỏ đi trước khi giỏ đựng cỏ đầy. Trước mỗi lần kiểm tra định kỳ, đảm bảo đã ngừng xe cắt cỏ rồi rút chìa khóa và tháo hộp pin.

CHÚ Ý: Sử dụng xe cắt cỏ với toàn bộ giỏ đựng cỏ sẽ ngăn không cho vòng quay lưỡi cắt trơn tru và đặt thêm tải trọng lên động cơ, có thể gây ra hỏng hóc.

Cắt bãi cỏ dài

Không cố cắt tất cả cỏ dại trong một lần cắt. Thay vào đó, cắt bãi cỏ dài theo nhiều bước. Dành ra một hoặc hai ngày giữa mỗi lần cắt cho đến khi bãi cỏ trở nên ngắn đều.

► **Hình29**

LƯU Ý: Cắt tất cả cỏ dài đến một chiều dài ngắn trong một lần cắt có thể làm cho cỏ chết. Cỏ đã cắt cũng có thể chất thành khối bên trong thân máy cắt.

Làm rỗng giỏ đựng cỏ

⚠ CẢNH BÁO: Để giảm nguy cơ tai nạn, thường xuyên kiểm tra giỏ đựng cỏ xem có bất kỳ hư hỏng hoặc lực yếu không. Thay giỏ đựng cỏ nếu cần thiết.

1. Nhả cần công tắc và cần lái.
2. Rút chìa khóa ra.
3. Mở nắp sau và lấy giỏ đựng cỏ ra bằng cách cầm tay nắm.
► **Hình30:** 1. Nắp sau 2. Tay nắm 3. Giỏ đựng cỏ
4. Làm rỗng giỏ đựng cỏ.

BẢO TRÌ

⚠ CẢNH BÁO: Luôn đảm bảo chia khóa và hộp pin đã được tháo ra khỏi máy cắt cỏ trước khi cất giữ hoặc mang máy cắt cỏ đi hoặc cố gắng thực hiện kiểm tra hoặc bảo dưỡng.

⚠ CẢNH BÁO: Luôn rút chia khóa khi không sử dụng xe cắt cỏ. Đặt chia khóa ở nơi an toàn tránh xa tầm tay trẻ em.

⚠ CẢNH BÁO: Mang găng tay khi thực hiện kiểm tra hoặc bảo dưỡng.

⚠ CẢNH BÁO: Luôn mang kính bảo hộ hoặc kính an toàn có tấm chắn khi thực hiện kiểm tra hoặc bảo dưỡng.

CHÚ Ý: Không được phép dùng xăng, ết xăng, dung môi, cồn hoặc hóa chất tương tự. Có thể xảy ra hiện tượng mất màu, biến dạng hoặc nứt vỡ.

Đề đảm bảo ĐỘ AN TOÀN và ĐỘ TIN CẬY của sản phẩm, việc sửa chữa hoặc bất cứ thao tác bảo trì, điều chỉnh nào đều phải được thực hiện bởi các Trung tâm Dịch vụ Nhà máy hoặc Trung tâm được Makita Ủy quyền và luôn sử dụng các phụ tùng thiết bị thay thế của Makita.

Bảo dưỡng

1. Rút chia khóa và tháo hộp pin, rồi đóng nắp đậy pin.
2. Đặt xe cắt cỏ ngửa lên và làm sạch những mảnh cỏ tích tụ trên mặt dưới của buồng xe cắt cỏ.
3. Đổ nước về phía phần đáy của máy nơi lưỡi cắt được gắn vào.

CHÚ Ý: Không rửa máy bằng nước với áp suất cao.

4. Kiểm tra xem tất cả các đai ốc, bu-lông, núm, ốc vít, bộ phận kẹp, v.v... đã vặn chặt chưa.
5. Kiểm tra bộ phận chuyển động có bị hư hỏng, nứt gãy, và mòn không. Nên sửa chữa hoặc thay thế các bộ phận bị hỏng hoặc bị thiếu.
6. Bảo quản máy cắt cỏ ở nơi an toàn tránh xa tầm tay trẻ em.

CHÚ Ý: Không đổ nước lên khu vực thể hiện trong hình. Đổ nước vào bộ phận động cơ có thể gây trục trặc cho máy.

► **Hình31:** 1. Khu vực không nên đổ nước lên

Mang máy cắt cỏ đi

Khi mang máy cắt cỏ đi, giữ tay cầm trước và tay cầm sau với hai người như thể hiện trong hình.

► **Hình32:** 1. Tay cầm trước 2. Tay cầm sau

Cất giữ

Cất giữ xe cắt cỏ ở một nơi thoáng mát, khô và được khóa kín. Không cất giữ máy cắt cỏ và bộ sạc ở nơi nhiệt độ có thể lên tới hoặc vượt quá 40 °C.

Tháo hoặc lắp lưỡi cắt cỏ

⚠ CẢNH BÁO: Lưỡi cắt chạy theo đà quán tính khoảng vài giây sau khi nhả công tắc. Không bắt đầu bất cứ hoạt động nào cho đến khi lưỡi cắt dừng hoàn toàn.

⚠ CẢNH BÁO: Luôn rút chia khóa và tháo hộp pin khi tháo hoặc lắp lưỡi cắt. Không rút chia khóa và tháo hộp pin có thể gây ra thương tích cá nhân nghiêm trọng.

⚠ CẢNH BÁO: Luôn mang găng tay khi xử lý lưỡi cắt.

Tháo lưỡi cắt cỏ

1. Đặt xe cắt cỏ ngửa lên để cần điều chỉnh chiều cao cắt di chuyển sang bên cao hơn.
2. Để khóa lưỡi cắt, chèn chốt vào lỗ trên thân máy cắt.
3. Vặn bu-lông ngược chiều kim đồng hồ bằng cờ lê ống lồng 17.
► **Hình33:** 1. Lưỡi cắt cỏ 2. Chốt 3. Cờ lê ống lồng
4. Tháo bu-lông sau đó tháo lưỡi cắt cỏ.
► **Hình34:** 1. Hồ trợ lưỡi cắt cỏ 2. Lưỡi cắt cỏ 3. Bu lông 4. Phần nhỏ ra

CHÚ Ý: Khi lắp lưỡi cắt cỏ, hãy đảm bảo phần nhỏ ra trên giá đỡ lưỡi cắt vừa khớp vào các lỗ trên lưỡi cắt cỏ.

Lắp lưỡi cắt cỏ

⚠ CẢNH BÁO: Lắp lưỡi cắt cỏ cẩn thận. Phải ngang bằng mặt dưới/mặt trên.

⚠ CẢNH BÁO: Vặn chặt bu-lông theo chiều kim đồng hồ để giữ chặt lưỡi cắt.

⚠ CẢNH BÁO: Đảm bảo lưỡi cắt cỏ và tất cả các bộ phận cố định đều đã được lắp đúng cách và vặn thật chặt.

⚠ CẢNH BÁO: Khi thay thế lưỡi cắt, luôn làm theo hướng dẫn cung cấp trong sách hướng dẫn này.

CHÚ Ý: Sau khi lắp lưỡi cắt cỏ, rút chốt ra khỏi thân máy cắt.

Để lắp các lưỡi cắt cỏ, hãy thực hiện ngược lại quy trình tháo ra.

XỬ LÝ SỰ CỐ

Trước khi yêu cầu sửa chữa, đầu tiên hãy tự tiến hành kiểm tra của riêng bạn. Nếu bạn phát hiện vấn đề nào đó không được giải thích trong sách hướng dẫn sử dụng này, đừng cố tháo rời máy. Thay vào đó, hãy nhờ Trung tâm dịch vụ Makita được ủy quyền, luôn sử dụng bộ phận thay thế của Makita để sửa chữa.

Tình trạng bất thường	Nguyên nhân tiềm tàng (sự cố hồng học)	Biện pháp khắc phục
Xe cắt cỏ không khởi động.	Hai hộp pin không được lắp vào.	Lắp hai hộp pin đã được sạc đầy.
	Vấn đề pin (điện áp thấp)	Sạc pin lại cho hộp pin. Nếu sạc pin lại không hiệu quả, thay thế hộp pin.
	Chìa khóa không được tra vào.	Tra chìa khóa vào.
	Công tắc lựa chọn pin không ở đúng vị trí.	Chọn công pin nơi lắp hộp pin bằng công tắc lựa chọn pin.
Động cơ ngừng chạy sau khi ít sử dụng đến.	Mức sạc pin thấp.	Sạc pin lại cho hộp pin. Nếu sạc pin lại không hiệu quả, thay thế hộp pin.
	Chiều cao cắt quá thấp.	Tăng chiều cao cắt.
	Cỏ đã cắt bị kẹt trong máy cắt.	Loại bỏ cỏ bị kẹt khỏi máy cắt.
Động cơ không đạt RPM tối đa.	Hộp pin được lắp đúng cách.	Lắp hộp pin như mô tả trong sách hướng dẫn này.
	Nguồn pin bị tụt áp.	Sạc pin lại cho hộp pin. Nếu sạc pin lại không hiệu quả, thay thế hộp pin.
	Hệ thống truyền động không làm việc đúng cách.	Nhờ trung tâm bảo trì được ủy quyền ở địa phương sửa chữa.
Lưỡi cắt cỏ không quay: ⇒ ngừng xe cắt cỏ ngay lập tức!	Ngoại vật như nhánh cây bị kẹt ở gần lưỡi cắt.	Gỡ ngoại vật ra.
	Hệ thống truyền động không làm việc đúng cách.	Nhờ trung tâm bảo trì được ủy quyền ở địa phương sửa chữa.
Rung bất thường: ⇒ ngừng xe cắt cỏ ngay lập tức!	Lưỡi cắt không cân bằng, mòn không đều hoặc quá mức.	Thay thế lưỡi cắt.

PHỤ KIỆN TỰ CHỌN

⚠ THẬN TRỌNG: Các phụ kiện hoặc phụ tùng gắn thêm này được khuyến cáo sử dụng với máy Makita của bạn theo như quy định trong hướng dẫn này. Việc sử dụng bất cứ phụ kiện hoặc phụ tùng gắn thêm nào khác đều có thể gây ra rủi ro thương tích cho người. Chỉ sử dụng phụ kiện hoặc phụ tùng gắn thêm cho mục đích đã quy định sẵn của chúng.

Nếu bạn cần bất kỳ sự hỗ trợ nào để biết thêm chi tiết về các phụ tùng này, hãy hỏi Trung tâm Dịch vụ của Makita tại địa phương của bạn.

- Lưỡi cắt cỏ
- Pin và bộ sạc chính hãng của Makita

LƯU Ý: Một số mục trong danh sách có thể được bao gồm trong gói sản phẩm làm phụ kiện tiêu chuẩn. Các mục này có thể thay đổi tùy theo từng quốc gia.

ข้อมูลจำเพาะ

รุ่น:	DLM533	
ความกว้างในการตัด (เส้นผ่านศูนย์กลางใบมีด)	534 mm	
ความเร็วหมุนเปล่า	2,300 min ⁻¹	
ความเร็วสูงสุด	2,800 min ⁻¹	
หมายเลขชิ้นส่วนของใบมีดเครื่องตัดหญ้าใหม่	ใบมีดตรง	191D52-7 / 191W87-2
ขนาด (ยาว x กว้าง x สูง)	ยาว: 1,655 mm ถึง 1,740 mm กว้าง: 590 mm สูง: 990 mm ถึง 1,100 mm	
ความเร็วในการเคลื่อนที่	2.5 - 5.0 km/h	
แรงดันไฟฟ้าที่กำหนด	D.C. 36 V	
น้ำหนักสุทธิ	เมื่อติดตั้งใบมีดตรง	42.6 - 46.4 kg
ระดับการป้องกัน	IPX4	

- เนื่องจากการค้นคว้าวิจัยและพัฒนาอย่างต่อเนื่อง ข้อมูลจำเพาะในเอกสารฉบับนี้อาจเปลี่ยนแปลงได้โดยไม่ต้องแจ้งให้ทราบล่วงหน้า
- ข้อมูลจำเพาะอาจแตกต่างกันไปในแต่ละประเทศ
- น้ำหนักอาจแตกต่างกันไปตามอุปกรณ์เสริม รวมถึงตลับแบตเตอรี่ การติดอุปกรณ์เสริมที่เบาที่สุดและหนักที่สุดตามข้อบังคับของ EPTA 01/2014 มีแสดงอยู่ในตาราง

ตลับแบตเตอรี่ที่ใช้ได้

BL1815N / BL1820 / BL1820B / BL1830 / BL1830B / BL1840 / BL1840B / BL1850 / BL1850B / BL1860B


- ตลับแบตเตอรี่บางรายการที่แสดงอยู่ด้านบนอาจไม่มีวางจำหน่ายขึ้นอยู่กับภูมิภาคที่คุณอาศัยอยู่

คำเตือน: ใช้ตลับแบตเตอรี่ที่ระบุไว้ข้างบนเท่านั้น การใช้ตลับแบตเตอรี่ประเภทอื่นอาจก่อให้เกิดความเสี่ยงที่จะได้รับบาดเจ็บและ/หรือเกิดไฟไหม้

คำเตือน: อย่าใช้แหล่งจ่ายไฟที่มีสาย เช่น อะแดปเตอร์แบตเตอรี่ หรือชุดต้นกำลังแบบพกพา กับเครื่องนี้ สายไฟของแหล่งจ่ายไฟดังกล่าวอาจกีดขวางการทำงานและส่งผลให้ได้รับบาดเจ็บได้

สัญลักษณ์

ต่อไปนี้เป็นสัญลักษณ์ที่อาจใช้สำหรับอุปกรณ์ โปรดศึกษาความหมายของสัญลักษณ์ให้เข้าใจก่อนการใช้งาน

 ใช้ความระมัดระวังและความสนใจเป็นพิเศษ



อ่านคู่มือการใช้งาน



อันตราย ระวังชิ้นส่วนที่กระเด็นมา



เครื่องมือและผู้ที่อยู่ข้างเคียงจะต้องมีระยะห่างระหว่างกันอย่างน้อย 15 m



ห้ามวางมือและเท้าของคุณใกล้ใบมีดได้ เครื่องตัดหญ้า ใบมีดจะยังคงหมุนต่อไป แม้ว่าจะปิดมอเตอร์แล้วก็ตาม



ถอดกุญแจล็อกก่อนตรวจสอบ ปรับ ทำความสะอาด บำรุงรักษา วางไว้ และเก็บ เครื่องตัดหญ้า



ความอันตรายทางไฟฟ้า การสัมผัสกับน้ำ อาจทำให้เกิดไฟฟ้าช็อตได้



อย่าเหน็บใส่



NI-MH
Li-Ion

สำหรับประเทศในสหภาพยุโรปเท่านั้น เนื่องจากในอุปกรณ์มีส่วนประกอบ อันตราย ชะง่จำพวกอุปกรณ์ไฟฟ้า และอิเล็กทรอนิกส์ แบตเตอรี่ และหม้อ แบตเตอรี่จึงอาจส่งผลต่อสิ่งแวดล้อมและ สุขอนามัยของมนุษย์ในเชิงลบ อย่าทิ้งเครื่องใช้ไฟฟ้าและอิเล็กทรอนิกส์ หรือแบตเตอรี่ร่วมกับวัสดุเหลือทิ้งในครัว เรือน! เพื่อให้เป็นไปตามกฎระเบียบของยุโรป ว่าด้วยชะง่จำพวกอุปกรณ์ไฟฟ้าและ อิเล็กทรอนิกส์ และหม้อสะสมไฟฟ้าและ แบตเตอรี่ และชะง่จำพวกหม้อสะสมไฟฟ้า และแบตเตอรี่ รวมถึงการบังคับใช้ตาม กฎหมายภายในประเทศ ควรมีการจัดเก็บ ชะง่จำพวกอุปกรณ์ไฟฟ้า แบตเตอรี่ และ หม้อสะสมไฟฟ้าแยกต่างหากและส่งไปยัง จุดรับชะง่ต่างหากในเขตเทศบาลซึ่งมีการ ดำเนินการตามระเบียบว่าด้วยการดูแลสิ่งแวดล้อม โดยระบุด้วยสัญลักษณ์เส้นคาดขวางรูปถัง ชะง่แบบมีล้อไว้บนอุปกรณ์



ผ่านการรับรองระดับพลังงานเสียงตามกฎ ระเบียบว่าด้วยเสียงรบกวนภายนอกของ สหภาพยุโรป



ระดับพลังงานเสียงตามข้อบังคับการ ควบคุมเสียงรบกวนของรัฐนิวเซาท์เวลส์ ประเทศออสเตรเลีย

จุดประสงค์การใช้งาน

เครื่องนี้ใช้สำหรับตัดหญ้าในสนามหญ้า

คำเตือนด้านความปลอดภัย

คำแนะนำด้านความปลอดภัยที่สำคัญ

คำเตือน: อ่านคำเตือนด้านความปลอดภัยและคำแนะนำทั้งหมด การไม่ปฏิบัติตามคำเตือนและคำแนะนำดังกล่าวอาจส่งผลให้ไฟฟ้าช็อต ไฟไหม้ และ/หรือได้รับบาดเจ็บร้ายแรง

เก็บรักษาคำเตือนและคำแนะนำทั้งหมดไว้ เป็นข้อมูลอ้างอิงในอนาคต

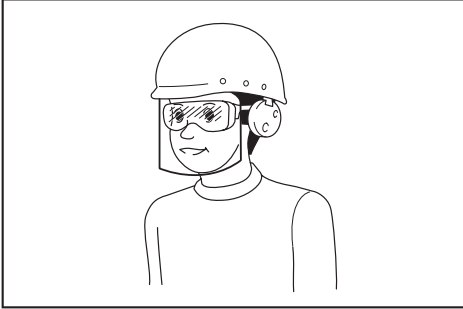
การฝึกปฏิบัติ

1. อ่านคำแนะนำอย่างละเอียด ทำความคุ้นเคยกับการควบคุมและการใช้งานเครื่องตัดหญ้าอย่างเหมาะสม
2. ห้ามอนุญาตให้เด็กหรือผู้ที่ไม่คุ้นเคยกับคู่มือการใช้งานเครื่องตัดหญ้า ช้อกกำหนดในท้องถิ่นสามารถจำกัดอายุของผู้ปฏิบัติงาน
3. ห้ามใช้งานเครื่องตัดหญ้าขณะที่ผู้อื่น โดยเฉพาะเด็ก หรือสัตว์เลี้ยงอยู่ใกล้เคียง
4. โปรดทราบว่าผู้ปฏิบัติงานหรือผู้ใช้จะต้องเป็นผู้รับผิดชอบต่ออุบัติเหตุหรืออันตรายที่เกิดขึ้นต่อบุคคลหรือทรัพย์สินของบุคคลอื่น
5. เด็กต้องได้รับการดูแลเพื่อให้งั่นใจว่าเด็กจะไม่เล่นเครื่องตัดหญ้า
6. สภาพทางกายภาพ - อย่าใช้งานเครื่องตัดหญ้า ขณะอยู่ในสภาพที่เมื่อยล้าจากอากาศเสฟติด เครื่องดื่มแอลกอฮอล์ หรือการเ้า

การเตรียมความพร้อม

1. ระหว่างที่ใช้งานเครื่องตัดหญ้า ต้องใส่รองเท้าที่แข็งแรงและกางเกงขายาว อย่าใช้งานเครื่องตัดหญ้าขณะที่เท้าเปล่าหรือใส่รองเท้าแตะที่เป็ดโล่ง หลีกเลียงการใส่เสื้อผ้าหรือเครื่องประดับที่หลวมหรือมีสายหรือเชือกผูกห้อยอยู่ เนื่องจากอาจเข้าไปติดในชิ้นส่วนที่เคลื่อนไหวได้
2. ก่อนใช้งาน ให้ตรวจสอบเครื่องตัดหญ้าด้วยสายตา ว่ามีความเสียหาย หรือที่บ่อกันหรือก้าบ้งไม่อยู่ในที่หรืออยู่ที่หรือไม่
3. ตรวจสอบให้แน่ใจว่าพื้นที่ดังกล่าวไม่มีบุคคลอื่นก่อนทำการตัดหญ้า หยุดเครื่องตัดหญ้าหากมีบุคคลอื่นเ้ามาในพื้นที่
4. อย่าสอดกุญแจล็อกลงในเครื่องตัดหญ้าจนกว่าเครื่องจะพร้อมใช้งาน

- สวมใส่แว่นครอบตานิรภัยเพื่อปกป้องดวงตาของคุณจากการบาดเจ็บเมื่อใช้เครื่องมือไฟฟ้า แว่นครอบตาจะต้องได้มาตรฐาน ANSI Z87.1 ในสหรัฐอเมริกา, EN 166 ในยุโรป หรือ AS/NZS 1336 ในออสเตรเลีย/นิวซีแลนด์ ในออสเตรเลีย/นิวซีแลนด์ จะต้องสวมเกราะป้องกันใบหน้าเพื่อปกป้องใบหน้าของคุณอย่างถูกต้องตามกฎหมายด้วย



ผู้ว่าจ้างมีหน้าที่รับผิดชอบในการบังคับผู้ใช้งานเครื่องมือและบุคคลอื่นๆ ที่อยู่ในบริเวณที่ปฏิบัติงานให้ใช้อุปกรณ์ป้องกันที่เหมาะสม

- ตรวจสอบใบมีดและสลักเกลียวใบมีดอย่างละเอียดว่ามีรอยแตกหรือความเสียหายหรือไม่ก่อนการใช้งาน เปลี่ยนใบมีดหรือสลักเกลียวใบมีดที่แตกหรือเสียหายทันที
- กำจัดสิ่งแปลกปลอม เช่น ก้อนหิน เส้นลวด ขวด กระดุก และชิ้นไม้ขนาดใหญ่ออกจากพื้นที่ทำงานก่อนตัดหญ้า เพื่อป้องกันไม่ให้เกิดการบาดเจ็บหรือความเสียหายต่อเครื่องตัดหญ้า
- สิ่งที่ติดอยู่กับใบมีดของเครื่องตัดหญ้าสามารถก่อให้เกิดบาดเจ็บรุนแรงได้ ควรมีการตรวจสอบสนามหญ้าอย่างละเอียดและกำจัดสิ่งต่างๆ ออกไปก่อนทำการตัดหญ้าในแต่ละครั้ง
- ระวัง ร่อง ฟันนูน หิน หรือวัตถุที่ซ่อนอยู่อื่นๆ พื้นที่ไม้ราบเรียบอาจทำให้เกิดอุบัติเหตุที่เกิดจากการลื่นและล้มได้ หญ้าที่สูงอาจบังสิ่งกีดขวางต่างๆ
- อย่าใส่หรือถอดกุญแจล้อกลางฝน
- ใช้อุปกรณ์ป้องกันส่วนบุคคล สวมแว่นตาป้องกันเสมอ อุปกรณ์ป้องกัน เช่น หน้ากากกันฝุ่น รองเท้านิรภัยกันลื่น หมวกนิรภัย หรือเครื่องป้องกันการได้ยินที่ใช้ในสภาพที่เหมาะสมจะช่วยลดการบาดเจ็บ

การใช้งาน

- อย่าทำงานในระบะที่มืดเอี่ยม รักษาความสมดุลอยู่เสมอ ตรวจสอบที่ยื่นให้มั่นคงบนทางลาดเสมอ โปรดเดิน ห้ามวิ่ง

- หยุดใช้งานเครื่องตัดหญ้าและถอดกุญแจล้อออกจากนั้นตรวจสอบให้แน่ใจว่าชิ้นส่วนเคลื่อนที่ทั้งหมดหยุดนิ่งแล้ว
 - ทุกครั้งที่คุณวางเครื่องตัดหญ้าทิ้งไว้
 - ก่อนกำจัดสิ่งกีดขวางหรือทำความสะอาดรางส่งที่อุดตัน
 - ก่อนตรวจสอบ ทำความสะอาด หรือจัดการเครื่องตัดหญ้า
 - หลังจากกระแทกเข้ากับวัตถุแปลกปลอม ตรวจสอบเครื่องตัดหญ้าว่ามีความเสียหายหรือไม่ แล้วทำการซ่อมแซมก่อนเริ่มเครื่องและใช้งานเครื่องตัดหญ้าอีกครั้ง
 - เมื่อเครื่องตัดหญ้าเริ่มสั่นสะเทือนผิดปกติ
- ห้ามใช้งานเครื่องตัดหญ้าที่มีที่ป้องกันหรือก้างที่เสียหาย หรือไม่มีอุปกรณ์ป้องกันกันภัย เช่น ที่ปิดเศษไม้และ/หรือตะกร้ากับหญ้า ติดตั้งอยู่
- หลีกเลี่ยงการใช้งานเครื่องตัดหญ้าในสภาพอากาศที่มืด โดยเฉพาะอย่างยิ่งเมื่อมีความเสี่ยงที่จะเกิดฟ้าผ่า
- สวมอุปกรณ์ป้องกันดวงตาและรองเท้าที่แข็งแรงตลอดเวลาในขณะที่ใช้งานเครื่องตัดหญ้า
- ใช้งานเครื่องตัดหญ้าในเวลากลางวันหรือมีแสงเทียมส่องสว่างเท่านั้น
- เปิดสวิตช์เครื่องตัดหญ้าอย่างระมัดระวังตามคำแนะนำและให้เท้าอยู่ห่างจากใบมีด
- ดูแลมือและเท้าอย่าให้บาดเจ็บจากใบมีดเครื่องตัดหญ้า
- ตรวจสอบอยู่เสมอว่าช่องระบายอากาศไม่มีเศษขยะ
- ตัดหญ้าตามพื้นผิวแนวลาด ไม่ตัดขึ้นและลง ใช้ความระมัดระวังอย่างมากในการเปลี่ยนทิศทางแนวลาดอย่าตัดหญ้าในแนวลาดชันเกินไป
- ใช้ความระมัดระวังอย่างมากเมื่อเดินถอยหลังหรือดึงเครื่องตัดหญ้าเข้าหาตัว
- หยุดใบมีดหากต้องเอียงเครื่องตัดหญ้าเพื่อการขนย้ายขณะข้ามพื้นผิวที่ไม่ใช่หญ้า และเมื่อขนย้ายเครื่องตัดหญ้าไปและกลับจากพื้นที่ใช้งาน
- อย่าเอียงเครื่องตัดหญ้าขณะที่เปิดสวิตช์มอเตอร์ ยกเว้นเมื่อต้องเอียงเครื่องตัดหญ้าเพื่อเริ่มใช้งาน ในกรณีนี้ อย่าเอียงเครื่องเกินกว่าที่จำเป็น และยกแค่ส่วนดังกล่าวให้ไกลจากผู้ปฏิบัติงาน ตรวจสอบให้แน่ใจเสมอว่ามือทั้งสองข้างอยู่ในตำแหน่งการใช้งานก่อนวางเครื่องตัดหญ้ากลับลงบนพื้น
- อย่าวางมือหรือเท้าใกล้หรือใต้ชิ้นส่วนที่หมุน อย่าเข้าใกล้ช่องปล่อยเศษหญ้าเด็ดขาด

15. อย่าขยับย้ายเครื่องตัดหญ้าขณะที่ยังเปิดเครื่องตัดหญ้า
16. หลีกเลี่ยงการใช้งานเครื่องตัดหญ้ากับหญ้าเปียก
17. จับมือจับให้มั่นเสมอ
18. อย่าจับใบมีดที่เปิดโล่งหรือขอบตัดขณะหยิบหรือถือเครื่องตัดหญ้า
19. ระวังอย่าให้มีมือและเท้าสัมผัสกับใบมีดที่กำลังหมุน ระวัง - ใบมีดจะยังหมุนหลังจากปิดเครื่องตัดหญ้าแล้ว
20. หยุดทำงานทันทีหากคุณพบว่ามีสิ่งผิดปกติ ปิดสวิตช์เครื่องตัดหญ้าและถอดกุญแจล็อคคอก จากนั้นให้ตรวจสอบเครื่องตัดหญ้า
21. ห้ามพยายามปรับความสูงในการตัดในขณะที่เครื่องตัดหญ้ายากำลังทำงานอยู่ หากเครื่องตัดหญ้ามีคุณสมบัติการปรับความสูงในการตัด
22. ปลดปล่อยคันสวิตช์และรอให้ใบมีดหยุดหมุนก่อนที่จะข้ามทางรถ ทางเดิน ถนน และบริเวณที่ลาดด้วยกรวด นอกจากนี้ ให้นำกุญแจล็อคคอกหากคุณละจากเครื่องตัดหญ้า เอ้อมไปหยิบหรือนำมาบ่งชี้ขวางทางอยู่ ออก หรือเหตุผลอื่นใดที่อาจทำให้คุณเสียสมาธิจากสิ่งที่คุณกำลังทำอยู่
23. ถ้าเครื่องตัดหญ้ากระแทกเข้ากับสิ่งแปลกปลอม ให้ทำตามขั้นตอนดังนี้
 - หยุดเครื่องตัดหญ้า ปลดปล่อยคันสวิตช์และรอกว่าใบมีดจะหยุดสนิท
 - นำกุญแจล็อคและดับแบตเตอรี่ออก
 - ตรวจสอบความเสียหายของเครื่องตัดหญ้าอย่างละเอียด
 - เปลี่ยนใบมีดหากใบมีดเสียหาย ซ่อมแซมความเสียหายใดๆ ก่อนเริ่มทำงานและใช้งานเครื่องตัดหญ้าต่อ
24. อย่าเริ่มใช้งานเครื่องตัดหญ้าขณะยืนอยู่หน้าช่องปล่อยเศษหญ้า
25. ถ้าเครื่องตัดหญ้าเริ่มสั่นผิดปกติ (ตรวจสอบทันที)
 - ตรวจสอบความเสียหาย
 - เปลี่ยนหรือซ่อมแซมชิ้นส่วนที่เสียหาย
 - ตรวจสอบชิ้นส่วนที่หลวมและขันให้แน่น
26. ห้ามปล่อยวัสดุไปทางบุคคลใดๆ หลีกเลี่ยงการปล่อยวัสดุไปทางกำแพงหรือสิ่งกีดขวาง วัสดุอาจเด็นกลับมาทางผู้ปฏิบัติงานได้ หยุดใบมีดเมื่อข้ามพื้นผิวที่เป็นหินกรวด
27. อย่าดึงเครื่องตัดหญ้าถอยหลังหากไม่จำเป็นโดยเด็ดขาด เมื่อคุณจำเป็นต้องบังคับเครื่องตัดหญ้ามาทางด้านหลังเพื่อให้ออกห่างจากรั้วหรือสิ่งกีดขวางอื่นๆ ที่คล้ายกันนี้ ให้มองด้านล่างและด้านหลังก่อนและขณะเคลื่อนเครื่องตัดหญ้าถอยหลัง
28. ปิดมอเตอร์และรอกจนกระทั่งใบมีดหยุดนิ่งแล้วก่อนนำที่รับหญ้าออก ระวังใบมีดหมุนหลังจากปิดเครื่อง
29. เมื่อคุณใช้เครื่องบนพื้นโคลน พื้นลาดที่เปียก หรือบริเวณที่ลื่น โปรดระมัดระวังการทรงตัว
30. หลีกเลี่ยงการทำงานในสภาพแวดล้อมที่อาจทำให้ผู้ใช้งานเหนื่อยล้ามากขึ้น
31. อย่าใช้เครื่องในสภาพอากาศที่เลวร้ายซึ่งมีทัศนวิสัยจำกัดหากไม่ทำเช่นนั้น อาจทำให้หกล้มหรือทำงานได้ไม่ถูกต้องเนื่องจากทัศนวิสัยไม่ดี
32. อย่าให้เครื่องจมอยู่ในแอ่งน้ำ
33. เมื่อใบไม้เปียกหรือเศษสิ่งสกปรกติดอยู่กับปากดูด (ช่องระบายอากาศ) เนื่องจากฝน ให้เอาออก
34. อย่าใช้เครื่องกลางหิมะ
35. หากหญ้าที่ถูกตัดเปียก มีแนวโน้มว่าจะเข้าไปอุดตันในเครื่อง ตรวจสอบสภาพของเครื่องเป็นประจำ และเอาหญ้าที่ติดอยู่ออกหากจำเป็น
36. เมื่อใช้งานเครื่อง โปรดระมัดระวังท่อและสายไฟ
37. อย่าใช้แหล่งจ่ายไฟที่มีสาย เช่น อะแดปเตอร์ แบตเตอรี่ หรือชุดต้นกำลังแบบพกพากับเครื่องนี้ สายไฟของแหล่งจ่ายไฟดังกล่าวอาจกีดขวางการทำงานและส่งผลให้ได้รับบาดเจ็บได้

การบำรุงรักษาและการเก็บรักษา

1. เปลี่ยนชิ้นส่วนที่สึกหรอหรือเสียหายเพื่อความปลอดภัย ใช้ชิ้นส่วนอะไหล่และอุปกรณ์เสริมของแท้เท่านั้น
2. ตรวจสอบและบำรุงรักษาเครื่องตัดหญ้าเป็นประจำ
3. เมื่อไม่ใช้งาน ให้เก็บเครื่องตัดหญ้าให้ห่างจากมือเด็ก
4. ชันน็อต สลักเกลียว และสกรูทุกตัวให้แน่นเพื่อให้มั่นใจว่าอุปกรณ์อยู่ในสภาพการใช้งานที่ปลอดภัย
5. ตรวจสอบความสึกหรอหรือการเสื่อมสภาพของตะกร้าเก็บหญ้าเป็นประจำ ในการเก็บรักษา ตรวจสอบให้แน่ใจว่าตะกร้าเก็บหญ้าว่างอยู่เสมอ เปลี่ยนตะกร้าเก็บหญ้าที่สึกหรอด้วยผลิตภัณฑ์ชิ้นใหม่จากโรงงานเพื่อความปลอดภัย
6. ใช้เฉพาะใบมีดของแท้จากผู้ผลิตตามที่ได้ระบุไว้ในคู่มือเล่มนี้เท่านั้น
7. โปรดระวังระหว่างการปรับเครื่องตัดหญ้าเพื่อป้องกันไม่ให้นิ้วเข้าไปติดก่อนถอดใบมีดและชิ้นส่วนที่ยึดไว้ของเครื่องตัดหญ้า
8. ตรวจสอบสลักเกลียวยึดใบมีดตามรอบระยะเวลาเป็นประจำเพื่อให้มีความแน่นที่เหมาะสม
9. ทิ้งเครื่องตัดหญ้าไว้ให้เย็นลงก่อนเก็บเสมอ

- เมื่อทำการบำรุงรักษาใบมีด โปรดจดจำว่า แม้ว่า จะปิดสวิตช์แหล่งพลังงานแล้ว แต่ใบมีดยังสามารถ เคลื่อนไหวได้
- ห้ามถอดหรือทำการเปลี่ยนแปลงอุปกรณ์ป้องกันภัย ตรวจสอบการทำงานที่เหมาะสมเสมอ ห้ามทำการใดๆ เพื่อขัดขวางการทำงานที่กำหนดของอุปกรณ์ป้องกัน ภัยหรือเพื่อลดการป้องกันของอุปกรณ์ป้องกันภัย
- อย่าทิ้งเครื่องไว้ข้างนอกกลางฝนโดยไม่มีผู้ดูแล
- อย่าล้างเครื่องด้วยน้ำแรงดันสูง
- เมื่อล้างเครื่อง ตรวจสอบให้แน่ใจว่าได้นำแบตเตอรี่ และกุญแจลิคคอก และปิดฝาครอบแบตเตอรี่ จากนั้นเทน้ำไปทางด้านท้ายของเครื่องซึ่งมีแบตเตอรี่ติดตั้งอยู่
- เมื่อเก็บเครื่อง หลีกเลี่ยงสิ่งที่ได้รับแสงอาทิตย์โดยตรง หรือฝน และเก็บไว้ในที่ที่ไม่เกิดความร้อนหรือ ความชื้น
- ทำการตรวจสอบหรือบำรุงรักษาในสถานที่ที่สามารถ หลีกเลี่ยงฝนได้
- หลังใช้เครื่องให้นำสิ่งสกปรกที่ติดอยู่ออกและทำให้ เครื่องแห้งสนิทก่อนจัดเก็บมีความเสี่ยงที่เครื่องจะ ทำงานผิดปกติเนื่องจากการเป็นน้ำแข็ง โดยขึ้นอยู่กับ ฤดูกาลหรือพื้นที่

การใช้งานและดูแลเครื่องมือที่ใช้แบตเตอรี่

- ชาร์จไฟใหม่ด้วยเครื่องชาร์จที่ระบุโดยผู้ผลิตเท่านั้น เครื่องชาร์จที่เหมาะสมสำหรับชุดแบตเตอรี่ประเภทหนึ่ง อาจเสี่ยงที่จะเกิดไฟไหม้หากนำไปใช้กับชุดแบตเตอรี่ อีกประเภทหนึ่ง
- ใช้เครื่องมือไฟฟ้ากับชุดแบตเตอรี่ที่กำหนดมาโดย เฉพาะเท่านั้น การใช้ชุดแบตเตอรี่ประเภทอื่นอาจ ทำให้เสี่ยงที่จะได้รับบาดเจ็บและเกิดไฟไหม้
- เมื่อไม่ใช้งานชุดแบตเตอรี่ ให้เก็บห่างจากวัตถุที่เป็น โลหะอื่นๆ เช่น คลิปหนีบกระดาษ เหรียญ กุญแจ กรรไกรตัดเล็บ สกรู หรือวัตถุที่เป็นโลหะขนาดเล็ก อื่นๆ ที่สามารถเชื่อมต่อชั่วคราวหนึ่งกับอีกชิ้นหนึ่งได้ การ ลัดวงจรชั่วคราวนี้อาจทำให้ร้อนจัดหรือเกิดไฟไหม้
- ในกรณีที่ใช้งานไม่ถูกต้อง อาจมีของเหลวไหลออก จากแบตเตอรี่ ให้หลีกเลี่ยงการสัมผัส หากสัมผัส โดนของเหลวโดยไม่ตั้งใจ ให้ล้างออกด้วยน้ำ หาก ของเหลวกระเด็นเข้าตา ให้รีบไปพบแพทย์ ของเหลว ที่ไหลออกจากแบตเตอรี่อาจทำให้ผิวหนังระคายเคือง หรือไหม้
- ห้ามใช้ชุดแบตเตอรี่หรือเครื่องมือที่ชำรุดหรือมีการ แก่ไข แบตเตอรี่ที่เสียหายหรือมีการแก้ไขอาจทำให้เกิด สิ่งที่คาดไม่ถึงได้ เช่น ไฟไหม้ ระเบิด หรือเสี่ยง ต่อการบาดเจ็บ

- ห้ามให้ชุดแบตเตอรี่อยู่ใกล้ไฟ หรือบริเวณที่มีอุณหภูมิ สูงเกิน หากโดนไฟ หรืออุณหภูมิสูงเกิน 130 °C อาจ ก่อให้เกิดการระเบิดได้
- กรุณาปฏิบัติตามคำแนะนำสำหรับการชาร์จไฟ และ ห้ามชาร์จแบตเตอรี่หรือเครื่องมือในบริเวณที่มี อุณหภูมิнокเหนือไปจากที่ระบุในคำแนะนำ การชาร์จ ไฟที่ไม่เหมาะสม หรืออุณหภูมิнокเหนือไปจากช่วง อุณหภูมิที่ระบุในคำแนะนำอาจทำให้แบตเตอรี่เสียหาย และเป็น การเพิ่มความเสี่ยงในการเกิดไฟไหม้

ความปลอดภัยทางไฟฟ้าและแบตเตอรี่

- อย่าก่่าจัดแบตเตอรี่ในไฟ แบตเตอรี่อาจจะเปิดได้ ตรวจสอบรหัสท้องถิ่นสำหรับคำแนะนำเกี่ยวกับการ ก่่าจัดทั้งแบบพิเศษ
- อย่าเปิดหรือทำให้แบตเตอรี่เสียหาย อีลิคโทรไลต์ที่ ถูกปล่อยออกมามีคุณสมบัติกัดกร่อน และอาจทำลาย ดวงตาหรือผิวหนังได้ อาจเป็นพิษหากกลืนกินเข้าไป
- อย่าชาร์จแบตเตอรี่กลางฝนหรือในสถานที่ที่เปียก
- ห้ามชาร์จไฟนอกบ้าน หรือกลางแจ้ง
- ห้ามจับอุปกรณ์ชาร์จรวมถึงปลั๊กเครื่องชาร์จและขั้ว อุปกรณ์ชาร์จด้วยมือที่เปียก
- อย่าเปลี่ยนแบตเตอรี่รีกลางฝน
- อย่าให้ขั้วแบตเตอรี่เปียกของเหลว เช่น น้ำ หรืออย่า ให้แบตเตอรี่แช่ในน้ำ อย่าทิ้งแบตเตอรี่ไว้กลางฝน และไม่ชาร์จ ใช้ หรือเก็บแบตเตอรี่ในสถานที่ที่ชื้น หรือเปียก หากขั้วเปียกหรือของเหลวเข้าไปด้านใน แบตเตอรี่ แบตเตอรี่อาจลัดวงจร และมีความเสี่ยงที่จะ เกิดความร้อนสูง ไฟไหม้ หรือระเบิดได้
- หลังนำแบตเตอรี่ออกจากเครื่องหรือเครื่องชาร์จแล้ว ตรวจสอบให้แน่ใจว่าได้ใส่ฝาครอบแบตเตอรี่เข้ากับ แบตเตอรี่ และเก็บไว้ในที่แห้ง
- อย่าเปลี่ยนแบตเตอรี่ด้วยมือที่เปียก

การซ่อมบำรุง

- นำเครื่องมือไฟฟ้าเข้ารับบริการจากช่างซ่อมที่ผ่าน การรับรองโดยช่างผู้เชี่ยวชาญเท่านั้น เพราะจะ ทำให้การใช้เครื่องมือไฟฟ้ามีความปลอดภัย
- ห้ามใช้ชุดแบตเตอรี่ที่เสียหาย ชุดแบตเตอรี่ที่ใช้ควร เป็นชุดที่มาจากผู้ผลิต หรือผู้ให้บริการที่ได้รับอนุญาต เท่านั้น

ปฏิบัติตามคำแนะนำเหล่านี้

คำเตือน: อย่าให้ความไม่ระมัดระวังหรือความคุ้นเคยกับผลิตภัณฑ์ (จากการใช้งานซ้ำหลายครั้ง) อยู่เหนือการปฏิบัติตามกฎเกณฑ์ด้านความปลอดภัยในการใช้งานผลิตภัณฑ์อย่างเคร่งครัด

การใช้งานอย่างไม่เหมาะสมหรือการไม่ปฏิบัติตามกฎเกณฑ์ด้านความปลอดภัยในคู่มือการใช้งานนี้อาจทำให้ได้รับบาดเจ็บรุนแรง

คำแนะนำเพื่อความปลอดภัยที่สำคัญสำหรับดัลล์แบตเตอรี่

1. ก่อนใช้งานดัลล์แบตเตอรี่ให้อ่านคำแนะนำและเรื่องหมายเหตุทั้งหมดบน (1) เครื่องชาร์จแบตเตอรี่ (2) แบตเตอรี่ และ (3) ตัวผลิตภัณฑ์ที่ใช้แบตเตอรี่
2. อย่าถอดแยกชิ้นส่วนหรือทำการดัดแปลงดัลล์แบตเตอรี่ เนื่องจากอาจทำให้เกิดไฟไหม้ ความร้อนที่สูงเกินไป หรือระเบิดได้
3. หากระยะเวลาที่เครื่องทำงานสั้นเกินไป ให้หยุดใช้งานทันที เนื่องจากอาจมีความเสี่ยงที่จะร้อนจัด ไหม้หรือระเบิดได้
4. หากสารละลายอิเล็กโทรไลต์กระเด็นเข้าตา ให้ล้างออกด้วยน้ำเปล่าและรีบไปพบแพทย์ทันที เนื่องจากอาจทำให้ตาบอด
5. ห้ามลัดวงจรดัลล์แบตเตอรี่:
 - (1) ห้ามแตะขั้วกับวัตถุที่เป็นสื่อไฟฟ้าใดๆ
 - (2) หลีกเลี่ยงการเก็บดัลล์แบตเตอรี่ไว้ในภาชนะร่วมกับวัตถุที่เป็นโลหะ เช่น กรรไกรตัดเล็บ เหรียญ ฯลฯ
 - (3) อย่าให้ดัลล์แบตเตอรี่ถูกน้ำหรือฝน แบตเตอรี่ลัดวงจรอาจทำให้เกิดการไหลของกระแสไฟฟ้า ร้อนจัด ไหม้หรือเสียหายได้
6. ห้ามเก็บและใช้เครื่องมือและดัลล์แบตเตอรี่ไว้ในสถานที่ที่มีอุณหภูมิสูงถึงหรือเกิน 50 °C (122 °F)
7. ห้ามเผาดัลล์แบตเตอรี่ทิ้ง แม้ว่าแบตเตอรี่จะเสียหายจนใช้งานได้หรือเสื่อมสภาพแล้ว ดัลล์แบตเตอรี่อาจจะระเบิดในกองไฟ
8. อย่าดองตะปู ตัด บด ขั้ว หรือทำดัลล์แบตเตอรี่หล่นพื้น หรือกระทบดัลล์แบตเตอรี่กับวัตถุของแข็ง การกระทำดังกล่าวอาจส่งผลให้เกิดไฟไหม้ ความร้อนที่สูงเกินไป หรือระเบิดได้
9. ห้ามใช้แบตเตอรี่ที่เสียหาย

10. แบตเตอรี่ลิเทียมไอออนที่มีมาให้มาเป็นไปตามข้อกำหนดของ Dangerous Goods Legislation สำหรับการขนส่งเพื่อการพาณิชย์ เช่น โดยบุคคลที่สาม ตัวแทนขนส่งสินค้า จะต้องตรวจสอบข้อกำหนดพิเศษในด้านการบรรจุหีบห่อหรือการติดป้ายสินค้าในการเตรียมสินค้าที่จะขนส่ง ให้ปรึกษาผู้เชี่ยวชาญด้านวัตถุอันตราย โปรดตรวจสอบข้อกำหนดในประเทศที่อาจมีรายละเอียดอื่น ๆ เพิ่มเติมให้ติดต่อหรือปิดหน้าสัมผัสและห่อแบตเตอรี่ในลักษณะที่แบตเตอรี่จะไม่เคลื่อนที่ไปมาในหีบห่อ
11. เมื่อกำจัดดัลล์แบตเตอรี่ ให้ถอดดัลล์แบตเตอรี่ออกจากเครื่องมือและกำจัดในสถานที่ที่ปลอดภัย ปฏิบัติตามข้อบังคับในท้องถิ่นที่เกี่ยวกับการกำจัดแบตเตอรี่
12. ใช้แบตเตอรี่กับผลิตภัณฑ์ที่ระบุโดย Makita เท่านั้น การติดตั้งแบตเตอรี่ในผลิตภัณฑ์ที่ไม่ใช่ตามที่ระบุอาจทำให้เกิดไฟไหม้ ความร้อนสูง ระเบิด หรืออิเล็กทรอนิกส์ตัวรับเสียหายได้
13. หากไม่ใช่เครื่องมือเป็นระยะเวลานาน จะต้องถอดแบตเตอรี่ออกจากเครื่องมือ
14. ในระหว่างและหลังการใช้งาน ดัลล์แบตเตอรี่อาจร้อนซึ่งอาจลวกผิวหนังหรือทำให้ผิวไหม้ที่อุณหภูมิต่ำได้ โปรดระมัดระวังในการจัดการกับแบตเตอรี่ที่ร้อน
15. อย่าสัมผัสขั้วของเครื่องมือทันทีหลังจากการใช้งาน เนื่องจากอาจมีความร้อนพอที่จะทำให้ผิวไหม้ได้
16. อย่าปล่อยให้เศษวัสดุ ฝุ่นผง หรือดินเข้าไปติดอยู่ในขั้ว รู และร่องของดัลล์แบตเตอรี่ เนื่องจากอาจทำให้เครื่องมือหรือดัลล์แบตเตอรี่มีประสิทธิภาพลดลงหรือเสียหายได้
17. หากเครื่องมือไม่รองรับสายไฟแรงดันสูง อย่าใช้ดัลล์แบตเตอรี่ใกล้กับสายไฟแรงดันสูง เนื่องจากเครื่องมือหรือดัลล์แบตเตอรี่อาจทำงานผิดปกติหรือเสียหายได้
18. เก็บแบตเตอรี่ให้ห่างจากเด็ก

ปฏิบัติตามคำแนะนำเหล่านี้

ข้อควรระวัง: ใช้แบตเตอรี่ของแท้จาก Makita เท่านั้น การใช้แบตเตอรี่ Makita ที่ไม่แท้ หรือแบตเตอรี่ที่ถูกเปลี่ยน อาจทำให้แบตเตอรี่ระเบิด ก่อให้เกิดเพลิงลุกไหม้ การบาดเจ็บ และความเสียหายได้ และจะทำให้การรับประกันของ Makita สำหรับเครื่องมือและแท่นชาร์จของ Makita เป็นโมฆะด้วย

เคล็ดลับในการรักษาอายุการใช้งานของ

แบตเตอรี่ให้ยาวนานที่สุด

1. ชาร์จลับแบตเตอรี่ก่อนที่ไฟจะหมด หยุดการใช้งานแล้วชาร์จประจุไฟฟ้าใหม่ทุกครั้งเมื่อคุณรู้สึกว่าอุปกรณ์มีกำลังลดลง
2. อย่าชาร์จลับแบตเตอรี่ที่มีไฟเต็มแล้ว การชาร์จประจุไฟฟ้ามากเกินไปอาจจะทำให้อายุการใช้งานของดัลลัมแบตเตอรี่สั้นลง
3. ชาร์จประจุไฟฟ้าดัลลัมแบตเตอรี่ในห้องที่มีอุณหภูมิระหว่าง 10 °C - 40 °C ปล่อยให้ดัลลัมแบตเตอรี่เย็นลงก่อนที่จะชาร์จไฟ
4. เมื่อไม่ใช้ดัลลัมแบตเตอรี่ ให้ถอดออกจากเครื่องมือหรือเครื่องชาร์จ
5. ชาร์จไฟดัลลัมแบตเตอรี่หากคุณไม่ต้องการใช้เป็นเวลาานาน (เกินกว่าหกเดือน)

การประกอบ

คำเตือน: ตรวจสอบให้แน่ใจว่าได้ถอดกุญแจล็อกและดัลลัมแบตเตอรี่ออกก่อนดำเนินการใดๆ กับเครื่องตัดหญ้า การไม่ปิดถอดกุญแจล็อกและดัลลัมแบตเตอรี่ออกอาจจะเป็นสาเหตุของการบาดเจ็บเนื่องจากการเริ่มทำงานโดยบังเอิญได้

คำเตือน: ห้ามเริ่มทำงานเครื่องตัดหญ้าหากยังไม่ได้ประกอบเครื่องอย่างสมบูรณ์ การใช้งานเครื่องที่ไม่ได้ประกอบอย่างสมบูรณ์ อาจส่งผลให้ได้รับบาดเจ็บสาหัสจากการเริ่มทำงานโดยไม่ได้ตั้งใจได้

การติดตั้งมือจับ

ข้อสังเกต: เมื่อติดตั้งมือจับ ให้วางสายไฟโดยไม่ให้พันเข้ากับสิ่งอื่นที่อยู่ระหว่างมือจับ ถ้าสายไฟเสียหาย สวิตช์เครื่องตัดหญ้าอาจไม่ทำงาน

1. จัดตำแหน่งรูของมือจับด้านล่างให้ตรงกับรูของตัวเครื่องตัดหญ้า แล้วขันสลักเกลียว 4 ตัวไว้ชั่วคราว
▶ **หมายเลข 1:** 1. มือจับด้านล่าง 2. สลักเกลียว
2. ขันสลักเกลียว 4 ตัวที่ขันเอาไว้ชั่วคราวในขั้นตอนที่ 1 ให้แน่นโดยใช้ประแจแหวนเบอร์ 13
3. จัดตำแหน่งรูของมือจับด้านล่างให้ตรงกับรูของมือจับด้านบน จากนั้นสอดสลักเกลียวจากด้านใน แล้วขันน็อตจากด้านบนออกด้วยประแจแหวนเบอร์ 13 ทำตามขั้นตอนเดียวกันนี้ในอีกด้าน

- ▶ **หมายเลข 2:** 1. สลักเกลียว 2. มือจับด้านล่าง
3. น็อต 4. รู 5. มือจับด้านบน

คำเตือน: ยึดมือจับด้านบนให้แน่นเพื่อให้มือจับไม่ตกใส่มือของคุณ ไม่เช่นนั้น มือจับอาจหล่นลงมาและทำให้ได้รับบาดเจ็บได้

4. ดัดที่ยึดเข้ากับมือจับ
จัดตำแหน่งให้ส่วนที่ยื่นออกมาของที่ยึดตรงกับรูบนมือจับ โดยให้ส่วนที่ยื่นออกมาประกอบเข้าไปในรูได้พอดี จัดตำแหน่งของสายตามที่แสดงในภาพ
▶ **หมายเลข 3:** 1. สาย 2. ที่ยึด

การถอดหัวเสียบสำหรับปล่อยหญ้าคลุมดิน

1. เปิดฝาปิดด้านหลัง
▶ **หมายเลข 4:** 1. ฝาปิดด้านหลัง
2. ถอดหัวเสียบสำหรับปล่อยหญ้าคลุมดินออกในขณะที่กดยานลง
▶ **หมายเลข 5:** 1. ก้าน 2. หัวเสียบสำหรับปล่อยหญ้าคลุมดิน

การติดตั้งหรือการถอดตะกร้าเก็บหญ้า

- การติดตั้งตะกร้าเก็บหญ้า ให้ทำตามขั้นตอนด้านล่างนี้
1. เปิดฝาปิดด้านหลัง
▶ **หมายเลข 6:** 1. ฝาปิดด้านหลัง
 2. จับมือจับของตะกร้าเก็บหญ้า จากนั้นแขวนตะกร้าเก็บหญ้าไว้บนแท่งโลหะบนตัวเครื่องตัดหญ้าตามภาพ
▶ **หมายเลข 7:** 1. แท่งโลหะ 2. มือจับ 3. ตะกร้าเก็บหญ้า

การถอดตะกร้าเก็บหญ้า ให้เปิดฝารอบด้านหลัง แล้วถอดตะกร้าเก็บหญ้าออกโดยจับที่มือจับ

การใส่หัวเสียบสำหรับปล่อยหญ้าคลุมดิน

1. เปิดฝาปิดด้านหลัง จากนั้นนำตะกร้าเก็บหญ้าออก
▶ **หมายเลข 8:** 1. ฝาปิดด้านหลัง 2. ตะกร้าเก็บหญ้า
2. ใส่หัวเสียบสำหรับปล่อยหญ้าคลุมดินในขณะที่กดยานลง จากนั้นปล่อยก้านเพื่อล็อกหัวเสียบสำหรับปล่อยหญ้าคลุมดิน
▶ **หมายเลข 9:** 1. ก้าน 2. หัวเสียบสำหรับปล่อยหญ้าคลุมดิน

คำอธิบายการทำงาน

การใส่หรือการถอดดัลล์แบตเตอรี่

⚠ ข้อควรระวัง: ปิดสวิตช์เครื่องก่อนทำการติดตั้งหรือการถอดดัลล์แบตเตอรี่เสมอ

⚠ ข้อควรระวัง: ถือเครื่องและดัลล์แบตเตอรี่ให้แน่นขณะใส่หรือถอดดัลล์แบตเตอรี่ หากไม่ถือเครื่องและดัลล์แบตเตอรี่ให้แน่นอาจทำให้เครื่องและแบตเตอรี่ลื่นหลุดออกจากมือของคุณ ซึ่งส่งผลให้เครื่องและดัลล์แบตเตอรี่เสียหาย รวมถึงทำให้ได้รับบาดเจ็บได้

⚠ ข้อควรระวัง: ตรวจสอบให้แน่ใจว่าคุณล็อกฝาครอบแบตเตอรี่ก่อนใช้งาน มิฉะนั้น โคลน ฝุ่น หรือน้ำอาจทำให้เกิดความเสียหายต่อผลิตภัณฑ์หรือดัลล์แบตเตอรี่ได้

⚠ ข้อควรระวัง: ติดตั้งดัลล์แบตเตอรี่เข้าไปจนสุดจนกระทั่งไม่เห็นส่วนสีแดง ไม่เช่นนั้นดัลล์แบตเตอรี่อาจหลุดออกจากเครื่องมือโดยไม่ได้ตั้งใจ ทำให้คุณหรือคนรอบข้างได้รับบาดเจ็บ

⚠ ข้อควรระวัง: อย่าฝืนติดตั้งดัลล์แบตเตอรี่โดยใช้แรงมากเกินไป หากดัลล์แบตเตอรี่ไม่เลื่อนเข้าไปโดยง่าย แสดงว่าใส่ไม่ถูกต้อง

หมายเหตุ: เครื่องจะไม่ทำงานด้วยดัลล์แบตเตอรี่ก่อนเดียว

หากต้องการติดตั้งดัลล์แบตเตอรี่

1. ดึงก้านล็อกขึ้น จากนั้นเปิดฝาครอบแบตเตอรี่
 - ▶ **หมายเลข 10:** 1. ฝาครอบแบตเตอรี่ 2. ก้านล็อก
2. จัดตำแหน่งลึบบนดัลล์แบตเตอรี่ให้ตรงกับช่องบนเครื่อง จากนั้นเลื่อนดัลล์แบตเตอรี่จนล็อกเข้าที่โดยจะได้ยินเสียงคลิกเบาๆ
 - ▶ **หมายเลข 11:** (1) พอร์ตแบตเตอรี่ 1 (2) พอร์ตแบตเตอรี่ 2 (3) ดัลล์แบตเตอรี่

หมายเหตุ: ติดตั้งดัลล์แบตเตอรี่อย่างน้อย 2 ก้อนลงในพอร์ตแบตเตอรี่ 1 หรือพอร์ตแบตเตอรี่ 2

3. ใส่กุญแจล็อกให้เข้าที่ตามที่แสดงในภาพให้ลึกที่สุดเท่าที่ใส่ได้
 - ▶ **หมายเลข 12:** 1. กุญแจล็อก
4. ปิดฝาครอบแบตเตอรี่และกดจนกว่าจะล็อกเข้ากับก้านล็อก

การถอดดัลล์แบตเตอรี่

1. ดึงก้านล็อกขึ้นแล้วเปิดฝาครอบแบตเตอรี่
2. ดึงดัลล์แบตเตอรี่ออกจากเครื่องในขณะที่เลื่อนปุ่มบนด้านหน้าของดัลล์
3. ดึงกุญแจล็อกออก
4. ปิดฝาครอบแบตเตอรี่

การสลัبدัลล์แบตเตอรี่

▶ **หมายเลข 13:** 1. สวิตช์เลือกแบตเตอรี่

เครื่องจะใช้ดัลล์แบตเตอรี่ 2 ก้อนในการทำงานแต่ละครั้ง สามารถติดตั้งดัลล์แบตเตอรี่ลงในเครื่องได้สูงสุด 4 ก้อนก่อนใช้งานเครื่อง ให้เลือกพอร์ตแบตเตอรี่ 1 หรือพอร์ตแบตเตอรี่ 2 โดยการหมุนสวิตช์เลือกแบตเตอรี่

หมายเหตุ: หากมีดัลล์แบตเตอรี่แค่ 2 ก้อนติดตั้งอยู่ในเครื่อง ตรวจสอบให้แน่ใจว่าได้เลือกพอร์ตแบตเตอรี่ที่มีดัลล์แบตเตอรี่ติดตั้งอยู่โดยใช้สวิตช์เลือกแบตเตอรี่

ระบบป้องกันเครื่องมือ / แบตเตอรี่

เครื่องมือนี้มีระบบป้องกันเครื่องมือ/แบตเตอรี่ ระบบนี้จะตัดไฟที่ส่งไปยังมอเตอร์โดยอัตโนมัติเพื่อยกอายุการใช้งานเครื่องมือและแบตเตอรี่ เครื่องจะหยุดทำงานระหว่างการใช้งานโดยอัตโนมัติ หากเครื่องมือหรือแบตเตอรี่อยู่ภายใต้สถานการณ์ต่อไปนี้

การป้องกันโอเวอร์โหลด

เมื่อแบตเตอรี่ทำงานในลักษณะที่ส่งผลให้ดึงกระแสไฟฟ้าสูงผิดปกติ เครื่องจะหยุดทำงานโดยอัตโนมัติและสัญญาณไฟหลักจะกะพริบเป็นสีเขียว ในกรณีเช่นนี้ ให้ปิดเครื่องและหยุดการใช้งานที่ทำให้เครื่องทำงานหนักเกินไป จากนั้นเปิดเครื่องเพื่อเริ่มการทำงานอีกครั้ง

การป้องกันความร้อนสูงเกิน

เมื่อเครื่องมือหรือดัลล์แบตเตอรี่เกิดความร้อนสูงเกินไป เครื่องจะหยุดทำงานโดยอัตโนมัติ และสัญญาณไฟหลักจะสว่างเป็นสีแดง ในกรณีเช่นนี้ให้ปล่อยให้เครื่องและแบตเตอรี่เย็นลงก่อนที่จะเปิดเครื่องอีกครั้ง








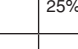



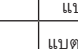



การป้องกันไฟหมด

เมื่อความจุแบตเตอรี่ไม่เพียงพอ เครื่องจะหยุดทำงานโดยอัตโนมัติ และสัญญาณไฟหลักจะกะพริบเป็นสีแดง ในกรณีดังกล่าว ให้ถอดแบตเตอรี่ออกจากเครื่อง แล้วนำดัลล์แบตเตอรี่ไปชาร์จหรือเปลี่ยนดัลล์แบตเตอรี่เป็นก้อนที่ชาร์จไฟเต็มแล้ว

การระบุระดับพลังงานแบตเตอรี่ที่เหลืออยู่

สำหรับดับเบิลแบตเตอรี่ที่มีตัวแสดงสถานะเท่านั้น

► **หมายเลข 14:** 1. ไฟแสดงสถานะ 2. ปุ่มตรวจสอบ กดปุ่ม ตรวจสอบ บนดัดแปลงแบตเตอรี่เพื่อดูปริมาณแบตเตอรี่ที่เหลือ ไฟแสดงสถานะจะสว่างขึ้นเป็นเวลาสองสามวินาที

ไฟแสดงสถานะ			แบตเตอรี่ที่เหลือ
			
			75% ถึง 100%
			50% ถึง 75%
			25% ถึง 50%
			0% ถึง 25%
			ชาร์จไฟแบตเตอรี่
			แบตเตอรี่อาจจะเสีย

หมายเหตุ: ขึ้นอยู่กับสภาพการใช้งานและอุณหภูมิ โดยรอบ การแสดงสถานะอาจจะแตกต่างจากปริมาณแบตเตอรี่จริงเล็กน้อย

หมายเหตุ: ไฟแสดงสถานะดวงแรก (ซ้ายสุด) จะกะพริบเมื่อระบบป้องกันแบตเตอรี่ทำงาน

แจ้งควบคุม

แจ้งควบคุมมีสวิตช์ไฟหลัก ปุ่มเปลี่ยนโหมด และไฟแสดง ความจุแบตเตอรี่ที่เหลืออยู่

► **หมายเลข 15:** 1. ไฟแสดงสถานะแบตเตอรี่ 2. สัญญาณไฟเปลี่ยนโหมด 3. สัญญาณไฟหลัก 4. ปุ่มตรวจสอบ 5. ปุ่มเปลี่ยนโหมด 6. สวิตช์ไฟหลัก

สวิตช์ไฟหลัก

คำเตือน: ปิดสวิตช์ไฟหลักเสมอเมื่อไม่ได้ใช้งาน

การเปิดเครื่อง ให้กดสวิตช์ไฟหลัก สัญญาณไฟหลักจะสว่างขึ้นเป็นสีเขียว การปิดเครื่อง ให้กดสวิตช์ไฟหลักอีกครั้ง

หมายเหตุ: หากสัญญาณไฟหลักสว่างขึ้นเป็นสีแดงหรือกะพริบเป็นสีแดงหรือสีเขียว โปรดดูคำแนะนำการใช้งานเกี่ยวกับระบบป้องกันเครื่อง/แบตเตอรี่






หมายเหตุ: เครื่องนี้ไม่มีฟังก์ชันปิดเครื่องอัตโนมัติ เพื่อหลีกเลี่ยงการเริ่มทำงานโดยไม่ได้ตั้งใจ สวิตช์ไฟหลักจะปิดลงโดยอัตโนมัติเมื่อกำสวิตช์และก้านขับ (หากมี) ไม่ถูกดึง เป็นระยะเวลาหนึ่งหลังจากเปิดสวิตช์ไฟหลักแล้ว

ปุ่มเปลี่ยนโหมด

คุณสามารถเปลี่ยนโหมดการทำงานได้โดยการกดปุ่มเปลี่ยนโหมด เมื่อเปิดเครื่อง เครื่องจะเริ่มทำงานในโหมดปกติ เมื่อคุณกดปุ่มเปลี่ยนโหมด เครื่องจะเปลี่ยนไปเป็นโหมดลดเสียงรบกวน และไฟเปลี่ยนโหมดจะสว่างเป็นสีเขียว ในโหมดลดเสียงรบกวน คุณสามารถลดเสียงรบกวนขณะตัดหญ้าได้ เมื่อคุณกดปุ่มเปลี่ยนโหมดอีกครั้ง เครื่องจะกลับไปทำงานที่โหมดปกติ

การระบุระดับพลังงานแบตเตอรี่ที่เหลืออยู่

กดปุ่ม ตรวจสอบ เพื่อดูปริมาณแบตเตอรี่ที่เหลือ ไฟแสดงสถานะแบตเตอรี่จะตรงตามแบตเตอรี่แต่ละลูก

สถานะของไฟแสดงสถานะแบตเตอรี่		ความจุแบตเตอรี่ที่เหลืออยู่
		
		50% - 100%
		20% - 50%
		0% - 20%

หมายเหตุ: ไฟแสดงสถานะของความจุแบตเตอรี่ที่เหลืออยู่เป็นเพียงแค่อ้างอิง ความจุแบตเตอรี่จริงอาจแตกต่างกันไปขึ้นอยู่กับสภาวะการใช้งาน

หมายเหตุ: หยุดเครื่องก่อนที่คุณจะกดปุ่มตรวจสอบเพื่อแสดงความจุแบตเตอรี่ที่เหลืออยู่

การทำงานของสวิตช์

คำเตือน: ก่อนใส่ดัลับแบตเตอรี่ ให้ตรวจสอบว่า ก้านสวิตช์สามารถทำงานได้อย่างถูกต้อง และกลับไปยังตำแหน่งเดิมเมื่อปล่อย การใช้งานเครื่องโดยที่สวิตช์ทำงานได้ไม่เหมาะสมอาจนำไปสู่การสูญเสียการควบคุม และส่งผลให้ได้รับบาดเจ็บสาหัสได้

หมายเหตุ: เครื่องตัดหญ้าจะไม่เริ่มทำงานหากไม่กดปุ่มสวิตช์ แม้ว่าจะดึงก้านสวิตช์แล้วก็ตาม

หมายเหตุ: เครื่องตัดหญ้าอาจไม่เริ่มทำงานเนื่องจากทำงานหนักเกินไปเมื่อคุณพยายามตัดหญ้าที่ยาวหรือแน่น ในกรณีนี้ ให้เพิ่มความสูงในการตัดหญ้า

เครื่องตัดหญ้านี้มีกุญแจล็อกและสวิตช์มือจับ หากคุณสังเกตว่ามีสิ่งผิดปกติกับกุญแจล็อกหรือสวิตช์ ให้หยุดทำงานทันที แล้วนำเครื่องไปให้ศูนย์บริการที่ได้รับการรับรองของ Makita ตรวจสอบ

1. ดัดตั้งดัลับแบตเตอรี่ สอดกุญแจล็อก จากนั้นปิดฝาครอบแบตเตอรี่
2. เลือกดัลับแบตเตอรี่ที่ใช้สำหรับการทำงานโดยกรมุณสวิตช์เลือกแบตเตอรี่
3. กดสวิตช์ไฟหลัก
4. ดึงก้านสวิตช์เข้าหาตัวคุณในขณะที่กดปุ่มสวิตช์ลง

ปล่อยปุ่มสวิตช์ทันทีที่มอเตอร์เริ่มทำงาน

▶ **หมายเลข 16:** 1. ปุ่มสวิตช์ 2. ก้านสวิตช์

หมายเหตุ: หากไม่ใส่กุญแจล็อก สัญญาณไฟหลักจะกะพริบเป็นสีเขียวเมื่อคุณดึงก้านสวิตช์

5. ในขณะที่จับก้านสวิตช์ ให้ดันก้านขับไปทางด้านหน้า แล้วจับค้างไว้เพื่อขับเคลื่อนล้อหลัง

▶ **หมายเลข 17:** 1. ก้านขับ

หมายเหตุ: คุณสามารถขับเคลื่อนล้อหลังได้โดยการดันก้านขับไปทางด้านหน้าแล้วจับค้างไว้โดยไม่ต้องดึงก้านสวิตช์

6. ปล่อยก้านขับและก้านสวิตช์เพื่อหยุดเครื่อง

การปรับความสูงของการตัดหญ้า

คำเตือน: ห้ามวางมือหรือขาไว้ใต้เครื่องตัดหญ้าขณะปรับความสูงของการตัดหญ้า

คำเตือน: ตรวจสอบว่าก้านพอดีก่อนทำงานเสมอ

สามารถปรับความสูงในการตัดหญ้าได้ในช่วงระหว่าง 20 mm และ 100 mm

นำกุญแจล็อกออก จากนั้นดึงก้านปรับความสูงในการตัดออกไปทางด้านนอกของตัวเครื่องตัดหญ้า และเลื่อนไปตามความสูงในการตัดที่ต้องการ

▶ **หมายเลข 18:** 1. ก้านปรับความสูงในการตัด

ตารางด้านล่างแสดงความสัมพันธ์ระหว่างหมายเลขบนตัวเครื่องตัดหญ้าและความสูงในการตัดหญ้าโดยประมาณ

หมายเลข	ความสูงในการตัดหญ้า
1	20 mm
2	26 mm
3	32 mm
4	39 mm
5	47 mm
6	55 mm
7	63 mm
8	74 mm
9	86 mm
10	100 mm

จับตามจับด้านหน้าหรือมือจับด้านล่าง จากนั้นเลื่อนก้านปรับความสูงในการตัดหญ้าด้วยมืออีกข้าง

▶ **หมายเลข 19:** 1. ก้านปรับความสูงในการตัด 2. มือจับด้านล่าง 3. ตามจับด้านหน้า

หมายเหตุ: ควรใช้ตัวเลขความสูงในการตัดเป็นแนวทางความสูงของสนามหญ้าจริงอาจแตกต่างจากความสูงที่ตั้งค่าไว้เล็กน้อย ขึ้นอยู่กับสภาพของสนามหญ้าหรือพื้นดิน

หมายเหตุ: ลองทดสอบตัดหญ้าในที่แจ้งเพื่อให้ได้ความสูงที่ต้องการ

ตัวบ่งชี้ระดับหญ้า

ตัวบ่งชี้ระดับหญ้าแสดงปริมาณหญ้าที่ตัดไปแล้ว เมื่อตะกร้าเก็บหญ้ายังไม่เต็ม ตัวบ่งชี้จะลอยในขณะที่ใบมีดกำลังทำงาน

▶ **หมายเลข 20:** 1. ตัวบ่งชี้ระดับหญ้า

เมื่อตะกร้าเก็บหญ้าเกือบเต็ม ตัวบ่งชี้จะไม่ลอยในขณะที่ใบมีดกำลังทำงาน ในกรณีนี้ ให้หยุดการทำงานทันที แล้วนำหญ้าในตะกร้าไปทิ้ง

▶ **หมายเลข 21:** 1. ตัวบ่งชี้ระดับหญ้า

หมายเหตุ: ตัวบ่งชี้นี้เป็นแนวทางอย่างคร่าวๆ ตัวบ่งชี้นี้อาจไม่ทำงานอย่างถูกต้อง ขึ้นอยู่กับสภาพภายในตะกร้า

การปรับความสูงของมือจับ

⚠ ข้อควรระวัง: ก่อนนำสลักเกลียวออก ให้จับมือจับด้านบนให้แน่น ไม่เช่นนั้น มือจับอาจหล่นลงมาและทำให้ได้รับบาดเจ็บได้

สามารถปรับความสูงของมือจับได้สองระดับ

1. ถอดสลักเกลียวด้านบนและมือจับด้านล่างโดยใช้ประแจแหวนเบอร์ 13 จากนั้นคลายสลักเกลียวด้านล่าง
▶ **หมายเลข 22:** 1. สลักเกลียวด้านบน 2. สลักเกลียวด้านล่าง
2. ปรับความสูงของมือจับ แล้วขันสลักเกลียวด้านบนและด้านล่างให้แน่น

การปรับความเร็วในการเคลื่อนที่

▶ **หมายเลข 23:** 1. ก้านปรับความเร็ว

สามารถปรับความเร็วในการเคลื่อนที่ได้ด้วยก้านปรับความเร็ว การลดความเร็ว ให้ดึงก้านเข้าหาตัวคุณ และเมื่อต้องการเพิ่มความเร็ว ให้ปรับก้านไปทางด้านหน้า

การใช้หัวเลียบสำหรับปล่อยหญ้าคลุมดิน

หัวเลียบสำหรับปล่อยหญ้าคลุมดินจะทำให้คุณสามารถปล่อยหญ้าที่ตัดแล้วลงบนดิน โดยจะไม่เก็บหญ้าที่ตัดแล้วในตะกร้าเก็บหญ้า เมื่อคุณใช้งานเครื่องที่มีหัวเลียบสำหรับปล่อยหญ้าคลุมดิน ตรวจสอบให้แน่ใจว่าได้ถอดตะกร้าเก็บหญ้าออกแล้ว

ข้อสังเกต: เมื่อใช้เครื่องที่มีหัวเลียบสำหรับปล่อยหญ้าคลุมดิน ตรวจสอบให้แน่ใจว่าความยาวของหญ้าเป็น 30 mm หรือมากกว่า หรือความยาวในการตัดเป็น 15 mm หรือน้อยกว่า

▶ **หมายเลข 24:** (1) 30 mm หรือมากกว่า (2) 15 mm หรือน้อยกว่า

การใช้ช่องปล่อยเศษหญ้าด้านหลัง

การใช้ช่องปล่อยเศษหญ้าด้านหลังจะทำให้คุณปล่อยหญ้าที่ตัดแล้วลงบนพื้นจากทางด้านหลังของเครื่อง โดยจะไม่เก็บหญ้าที่ตัดแล้วในตะกร้าเก็บหญ้า

เมื่อคุณใช้งานเครื่องโดยใช้ช่องปล่อยเศษหญ้าด้านหลัง ตรวจสอบให้แน่ใจว่าได้ถอดตะกร้าเก็บหญ้าและหัวเลียบสำหรับปล่อยหญ้าคลุมดินออกแล้ว และปิดฝาปิดด้านหลัง

ระบบไฟฟ้า

เครื่องนี้มีฟังก์ชันอิเล็กทรอนิกส์สำหรับการใช้งานที่ง่ายตาย

- การควบคุมความเร็วในการหมุนของใบมีดแบบคงที่ ระบบการควบคุมความเร็วอิเล็กทรอนิกส์เพื่อควบคุมความเร็วให้คงที่ตามต้องการ ช่วยให้ได้ผลงานที่ละเอียด เนื่องจากความเร็วในการหมุนเป็นไปอย่างคงที่และสม่ำเสมอแม้ว่าจะอยู่ในสภาวะทำงานหนักก็ตาม
- ระบบซอฟต์แวร์ที่ซับซ้อนจะลดอาการกระตุกขณะสตาร์ทเครื่อง และทำให้เครื่องเริ่มทำงานได้อย่างราบรื่น
- เบรกไฟฟ้า
เครื่องมือนี้มีเบรกไฟฟ้า หากเครื่องไม่สามารถทำการหยุดใบมีดเครื่องตัดหญ้าได้อย่างรวดเร็วหลังจากปล่อยคันสวิตช์ ให้นำเครื่องไปขอมที่ศูนย์บริการที่ได้รับบริการรับรองจาก Makita

การใช้งาน

การตัดหญ้า

⚠ คำเตือน: ก่อนตัดหญ้า ให้กำจัดแห้งไม้และหินออกจากพื้นที่ตัดหญ้า นอกจากนั้น ให้กำจัดวัชพืชจากพื้นที่ตัดหญ้าก่อน

⚠ คำเตือน: ใส่แว่นตานิรภัยหรือแว่นนิรภัยที่มีที่ป้องกันด้านข้างเมื่อใช้งานเครื่องตัดหญ้า

⚠ ข้อควรระวัง: หากหญ้าที่ตัดหรือวัตถุแปลกปลอมอุดตันอยู่ด้านในของตัวเครื่องตัดหญ้า ให้ตรวจสอบจนแน่ใจว่าได้นำกุญแจล็อกและดัลับแบตเตอรี่ออกแล้ว และสวมถุงมือก่อนนำหญ้าหรือวัตถุแปลกปลอมออก

ข้อสังเกต: ใช้เครื่องนี้สำหรับการตัดหญ้าในสนามหญ้าเท่านั้น อย่าตัดวัชพืชด้วยเครื่องนี้

▶ **หมายเลข 25**

จับมือจับให้มั่นด้วยมือทั้งสองข้างขณะตัดหญ้า แนวนวนความเร็วในการตัดหญ้าจะประมาณ 7 ถึง 14 เมตรต่อ 10 วินาที

▶ **หมายเลข 26**

เส้นตรงกลางของล้อหน้าเป็นแนวนำบอกความกว้างในการตัดหญ้า ใช้เส้นตรงกลางเป็นแนวนำในการตัดหญ้าเป็นแถวๆ ให้ตัดเหลื่อมครึ่งหนึ่งหรือหนึ่งในสามของแถวที่ตัดก่อนหน้าจะทำให้ตัดหญ้าในสนามได้เท่ากัน

▶ **หมายเลข 27:** 1. ความกว้างในการตัดหญ้า 2. พื้นที่เหลื่อม 3. เส้นตรงกลาง

เปลี่ยนทิศทางการตัดหญ้าทุกครั้งที่ตัดเพื่อป้องกันไม่ให้ลายหญ้ามีรูปแบบแคคทิศทางเดียว

▶ **หมายเลข 28**

ตรวจสอบหญ้าที่ตัดได้ในตะกร้าเก็บหญ้าเป็นระยะ เทหญ้าออกจากตะกร้าก่อนตะกร้าเต็ม ก่อนทำการตรวจสอบเป็นระยะ ให้หยุดเครื่องตัดหญ้าแล้วจึงถอดกุญแจล๊อคและดับแบตเตอรี่

ข้อสังเกต: การใช้เครื่องตัดหญ้าที่ตะกร้าเก็บหญ้าเต็มจะทำให้ใบมีดไม่หมุนอย่างราบรื่นและทำให้มอเตอร์ทำงานโหลดเป็นพิเศษ ซึ่งอาจทำให้มอเตอร์เสียหายได้

การตัดสนามหญ้าที่ยาว

อย่าพยายามตัดหญ้าที่ยาวภายในครั้งเดียว แต่ควรตัดหญ้าหลายๆ ครั้งแทน เว้นระยะเวลาไว้หนึ่งหรือสองวันระหว่างการตัดแต่ละครั้งจนกว่าหญ้าในสนามจะสั้นเท่ากัน

▶ **หมายเลข 29**

หมายเหตุ: การตัดหญ้ายาวให้สั้นทั้งหมดภายในครั้งเดียวอาจทำให้หญ้าตายได้ หญ้าที่ถูกตัดไปแล้วอาจอดต้นอยู่ในเครื่องตัดหญ้า

การเทหญ้าออกจากตะกร้าเก็บหญ้า

คำเตือน: หากต้องการลดความเสี่ยงในการเกิดอุบัติเหตุ ให้ตรวจสอบความเสียหายหรือความแข็งแรงที่ลดลงของตะกร้าเก็บหญ้าเป็นประจำ เปลี่ยนตะกร้าเก็บหญ้าใหม่หากจำเป็น

1. ปลอยก้านสวิทช์และก้านขับ
2. ถอดกุญแจล๊อค
3. เปิดฝาปิดด้านหลังและนำตะกร้าเก็บหญ้าออกโดยจับมือจับไว้

▶ **หมายเลข 30:** 1. ฝาปิดด้านหลัง 2. ที่จับ 3. ตะกร้าเก็บหญ้า

4. เทหญ้าออกจากตะกร้าเก็บหญ้า

การบำรุงรักษา

คำเตือน: ตรวจสอบให้แน่ใจเสมอว่าได้นำกุญแจล๊อคและดับแบตเตอรี่ออกจากเครื่องตัดหญ้าแล้วก่อนการเก็บหรือเคลื่อนย้ายเครื่องตัดหญ้า หรือพยายามที่จะทำการตรวจสอบหรือบำรุงรักษา

คำเตือน: ถอดกุญแจล๊อคเสมอเมื่อไม่ใช้งานเครื่องตัดหญ้า เก็บกุญแจล๊อคไว้ในที่ปลอดภัย ห่างจากมือเด็ก

คำเตือน: ใส่ถุงมือขณะทำการตรวจสอบหรือบำรุงรักษา

คำเตือน: สวมใส่แว่นกันฝุ่นนิรภัยหรือแว่นตานิรภัยที่มีหน้ากากป้องกันด้านข้างเสมอ เมื่อทำการตรวจสอบหรือบำรุงรักษา

ข้อสังเกต: อย่าใช้น้ำมันเชื้อเพลิง เบนซิน ทินเนอร์ แอลกอฮอล์ หรือวัสดุประเภทเดียวกัน เนื่องจากอาจทำให้ลื่นลื่น ขัด หรือแตกเร็วได้

เพื่อความปลอดภัยและน้ำเชื้อของผลิตภัณฑ์ ควรให้ศูนย์บริการหรือโรงงานที่ผ่านการรับรองจาก Makita เป็นผู้ดำเนินการซ่อมแซม บำรุงรักษาและทำการปรับตั้งอื่นๆ นอกจากนี้ให้ใช้อะไหล่ของแท้จาก Makita เสมอ

การบำรุงรักษา

1. นำกุญแจล๊อคและดับแบตเตอรี่ออก จากนั้นปิดฝาครอบแบตเตอรี่
2. วางเครื่องตัดหญ้าตะแคงและทำความสะอาดเศษหญ้าถูกตัดที่สะสมอยู่ใต้เครื่องตัดหญ้า
3. เทน้ำไปทางด้านท้ายของเครื่องซึ่งมีใบมีดติดตั้งอยู่

ข้อสังเกต: อย่าล้างเครื่องด้วยน้ำแรงดันสูง

4. ตรวจสอบความแน่นของน็อต สลักเกลียว ปุ่มหมุน สกรู ตัวขัน และอื่นๆ
5. ตรวจสอบความเสียหาย การแตก และการสึกหรอของชิ้นส่วนที่เคลื่อนไหว ต้องซ่อมแซมหรือเปลี่ยนชิ้นส่วนที่เสียหายหรือสูญหาย
6. เก็บเครื่องตัดหญ้าในที่ที่ปลอดภัย โดยให้อยู่ห่างจากเด็ก

ข้อสังเกต: อย่าเทน้ำลงบนบริเวณที่แสดงในภาพ การเทน้ำลงบนมอเตอร์อาจส่งผลให้เครื่องทำงานผิดปกติ

▶ **หมายเลข 31:** 1. บริเวณที่ไม่ควรเทน้ำลงไป

การเคลื่อนย้ายเครื่องตัดหญ้า

เมื่อทำการเคลื่อนย้ายเครื่องตัดหญ้า ให้จับมือจับด้านหน้า และมือจับด้านหลังโดยใช้คนสองคนตามที่แสดงในภาพ

- **หมายเลข 32:** 1. ด้ามจับด้านหน้า 2. ด้ามจับด้านหลัง

การจับเก็บ

เก็บเครื่องตัดหญ้าไว้ในร่มในสถานที่ที่เย็น แห้ง และปิด ล็อค อย่าเก็บเครื่องตัดหญ้าและเครื่องชาร์จไว้ในสถานที่ที่ อุณหภูมิอาจสูงถึงหรือเกินกว่า 40 °C

การถอดหรือการติดตั้งใบมีดเครื่องตัดหญ้า

⚠ **คำเตือน:** ใบมีดจะยังหมุนอยู่อีกสองสามวินาทีหลังจากปล่อยสวิตช์แล้ว อย่าเริ่มการทำงานจนกว่าใบมีดจะหยุดสนิทแล้ว

⚠ **คำเตือน:** ถอดกุญแจล็อคและตัดลับแบตเตอรี่เมื่อถอดหรือติดตั้งใบมีดเสมอ การไม่ถอดกุญแจล็อคและตัดลับแบตเตอรี่นี้อาจจะเป็นสาเหตุของการบาดเจ็บร้ายแรงได้

⚠ **คำเตือน:** ใส่ถุงมือขณะจับใบมีดเสมอ

การถอดใบมีดเครื่องตัดหญ้า

1. วางเครื่องตัดหญ้าตะแคงเพื่อให้กำหนดปรับความสูงของการตัดอยู่ด้านบน
2. การล็อคใบมีด ให้สอดสลักลงไปในรูปแบบตัวเครื่องตัดหญ้า
3. หมุนสลักเกลียวทวนเข็มนาฬิกาด้วยประแจแหวนเบอร์ 17

- **หมายเลข 33:** 1. ใบมีดเครื่องตัดหญ้า 2. สลัก 3. ประแจแหวน

4. ถอดสลักเกลียว แล้วถอดใบมีดเครื่องตัดหญ้า

- **หมายเลข 34:** 1. ที่รองรับใบมีด 2. ใบมีดเครื่องตัดหญ้า 3. สลักเกลียว 4. ส่วนที่ยื่นออกมา

ข้อสังเกต: เมื่อทำการติดตั้งใบมีดเครื่องตัดหญ้า ตรวจสอบให้แน่ใจว่าส่วนที่ยื่นออกมาบนที่รองรับใบมีด ประกอบลงรูของใบมีดเครื่องตัดหญ้าพอดี

การติดตั้งใบมีดเครื่องตัดหญ้า

⚠ **คำเตือน:** ติดตั้งใบมีดเครื่องตัดหญ้าด้วยความระมัดระวัง ใบมีดมีด้านบน/ด้านล่าง

⚠ **คำเตือน:** ชันสลักเกลียวตามเข็มนาฬิกาให้แน่นเพื่อยึดใบมีด

⚠ **คำเตือน:** ตรวจสอบให้แน่ใจว่าใบมีดเครื่องตัดหญ้า และชิ้นส่วนยึดทั้งหมดถูกติดตั้งอย่างถูกต้องและขันแน่นดีแล้ว

⚠ **คำเตือน:** เมื่อคุณเปลี่ยนใบมีด ให้ทำตามคำแนะนำที่มีอยู่ในคู่มือการใช้งานนี้เสมอ

ข้อสังเกต: หลังจากติดตั้งใบมีดเครื่องตัดหญ้าแล้ว ให้ถอดสลักออกจากตัวเครื่องตัดหญ้า

การติดตั้งใบมีดเครื่องตัดหญ้า ให้ทำตามขั้นตอนการถอดออกแบบย้อนกลับ

การแก้ไขปัญหา

ก่อนนำไปซ่อม ให้ทำการตรวจสอบด้วยตัวเองก่อน หากคุณพบปัญหาที่ไม่มีคำอธิบายในคู่มือนี้ อย่าพยายามถอดแยกส่วนประกอบเครื่องเอง โปรดสอบถามศูนย์บริการที่ได้รับบริการรับรองจาก Makita โดยใช้ชื่อรหัสของ Makita ในการซ่อมแซมเสมอ

สภาวะความผิดปกติ	สาเหตุที่เป็นไปได้ (การทำงานผิดปกติ)	การแก้ไข
เครื่องตัดหญ้าไม่ทำงาน	ไม่ได้ติดตั้งถลับแบตเตอรี่สองถลับ	ติดตั้งถลับแบตเตอรี่สองถลับที่ชาร์จไฟแล้ว
	ปัญหาแบตเตอรี่ (ไฟต่ำ)	นำถลับแบตเตอรี่ไปชาร์จอีกครั้ง หากการชาร์จแบตเตอรี่ไม่ได้อผล ให้เปลี่ยนถลับแบตเตอรี่
	ไม่ได้ใส่กุญแจล็อก	ใส่กุญแจล็อก
	สวิตช์เลือกแบตเตอรี่ไม่อยู่ในตำแหน่งที่ถูกต้อง	เลือกพอร์ตแบตเตอรี่ที่มีถลับแบตเตอรี่ติดตั้งอยู่โดยใช้สวิตช์เลือกแบตเตอรี่
มอเตอร์หยุดทำงานหลังจากใช้งานไปได้เล็กน้อย	ระดับการชาร์จของแบตเตอรี่ต่ำ	นำถลับแบตเตอรี่ไปชาร์จอีกครั้ง หากการชาร์จแบตเตอรี่ไม่ได้อผล ให้เปลี่ยนถลับแบตเตอรี่
	ความสูงในการตัดต่ำเกินไป	เพิ่มความสูงในการตัด
	หญ้าที่ตัดแล้วเข้าไปอุดตันในเครื่องตัดหญ้า	นำหญ้าที่อุดตันอยู่ออกจากเครื่องตัดหญ้า
มอเตอร์หมุนด้วยรอบความเร็วสูงสุดไม่ได้	ถลับแบตเตอรี่ติดตั้งอย่างไม่ถูกต้อง	ติดตั้งถลับแบตเตอรี่ตามที่อธิบายในคู่มือการใช้งานนี้
	กำลังของแบตเตอรี่ต่ำลง	นำถลับแบตเตอรี่ไปชาร์จอีกครั้ง หากการชาร์จแบตเตอรี่ไม่ได้อผล ให้เปลี่ยนถลับแบตเตอรี่
	ระบบขับเคลื่อนไม่ทำงานอย่างถูกต้อง	สอบถามศูนย์บริการที่ได้รับบริการรับรองในท้องถิ่นเพื่อซ่อมแซม
ใบมีดเครื่องตัดหญ้าไม่หมุน ⇒ หยุดเครื่องตัดหญ้าทันที!	สิ่งแปลกปลอม เช่น กิ่งไม้ ติดอยู่ที่ใบมีด	เอาสิ่งแปลกปลอมออก
	ระบบขับเคลื่อนไม่ทำงานอย่างถูกต้อง	สอบถามศูนย์บริการที่ได้รับบริการรับรองในท้องถิ่นเพื่อซ่อมแซม
การสั่นสะเทือนผิดปกติ ⇒ หยุดเครื่องตัดหญ้าทันที!	ใบมีดไม่สมดุล สึกหรอมาก หรือสึกหรอไม่เท่ากัน	เปลี่ยนใบมีด

อุปกรณ์เสริม

⚠ ข้อควรระวัง: ขอแนะนำให้ใช้อุปกรณ์เสริมหรืออุปกรณ์ต่อพ่วงเหล่านี้กับเครื่องมือของ Makita ที่ระบุไว้ในคู่มือนี้ การใช้อุปกรณ์เสริมหรืออุปกรณ์ต่อพ่วงอื่นอาจทำให้เกิดความเสี่ยงที่จะได้รับบาดเจ็บได้ ใช้อุปกรณ์เสริมหรืออุปกรณ์ต่อพ่วงตามวัตถุประสงค์ที่ระบุไว้เท่านั้น

หากต้องการทราบรายละเอียดเพิ่มเติมเกี่ยวกับอุปกรณ์เสริมเหล่านี้ โปรดสอบถามศูนย์บริการ Makita ใกล้บ้านคุณ

- ใบมีดเครื่องตัดหญ้า
- แบตเตอรี่และเครื่องชาร์จ Makita ของแท้

หมายเหตุ: อุปกรณ์บางชิ้นในรายการอาจมีมาให้ในชุดผลิตภัณฑ์เป็นอุปกรณ์มาตรฐาน ซึ่งอาจแตกต่างกันไปในแต่ละประเทศ

Makita Corporation
3-11-8, Sumiyoshi-cho,
Anjo, Aichi 446-8502 Japan
www.makita.com

885774C379
EN, ZHCN, ID, MS,
VI, TH
20210525