



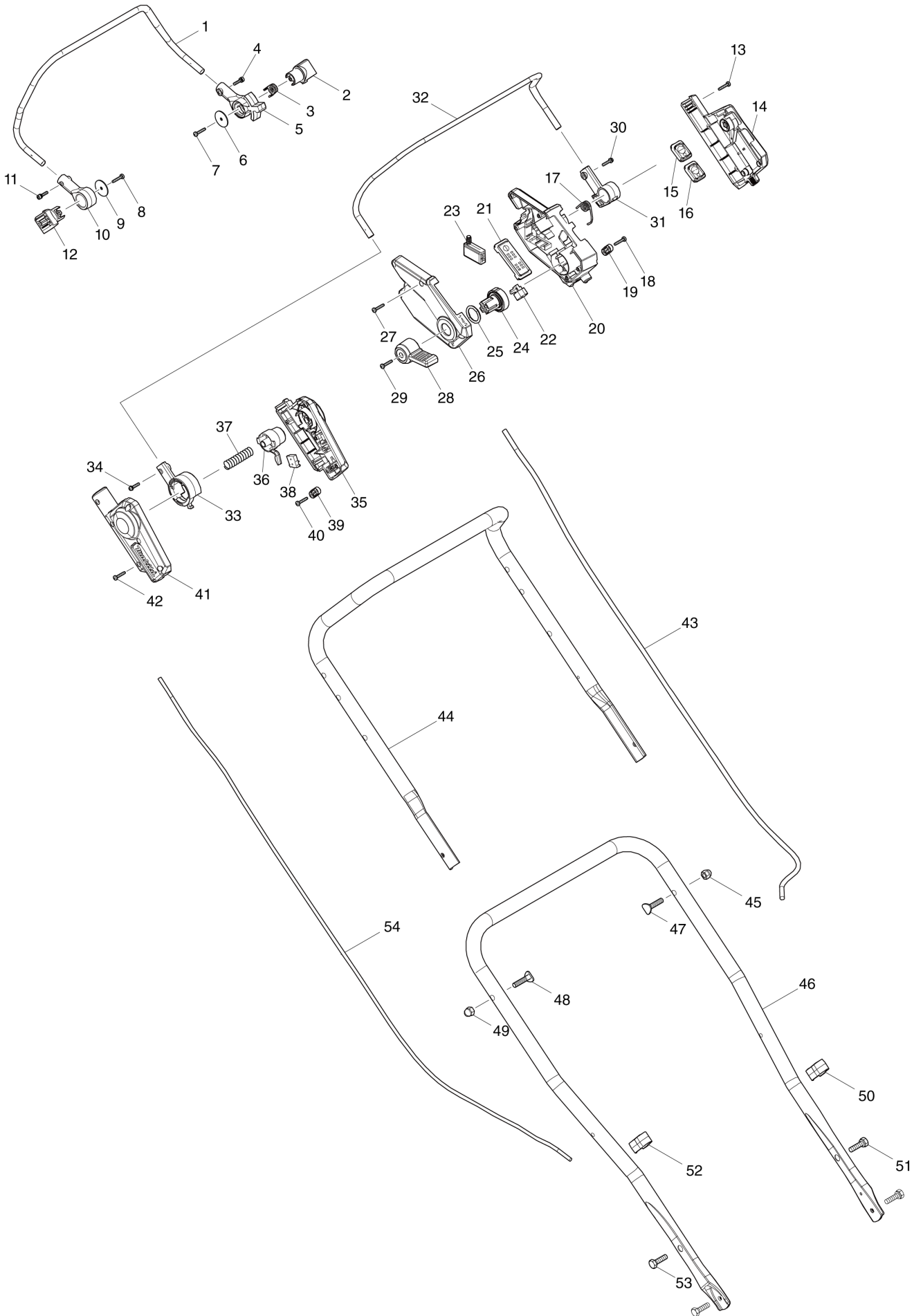
VN	VIETNAM
----	---------

Diagram / Parts List

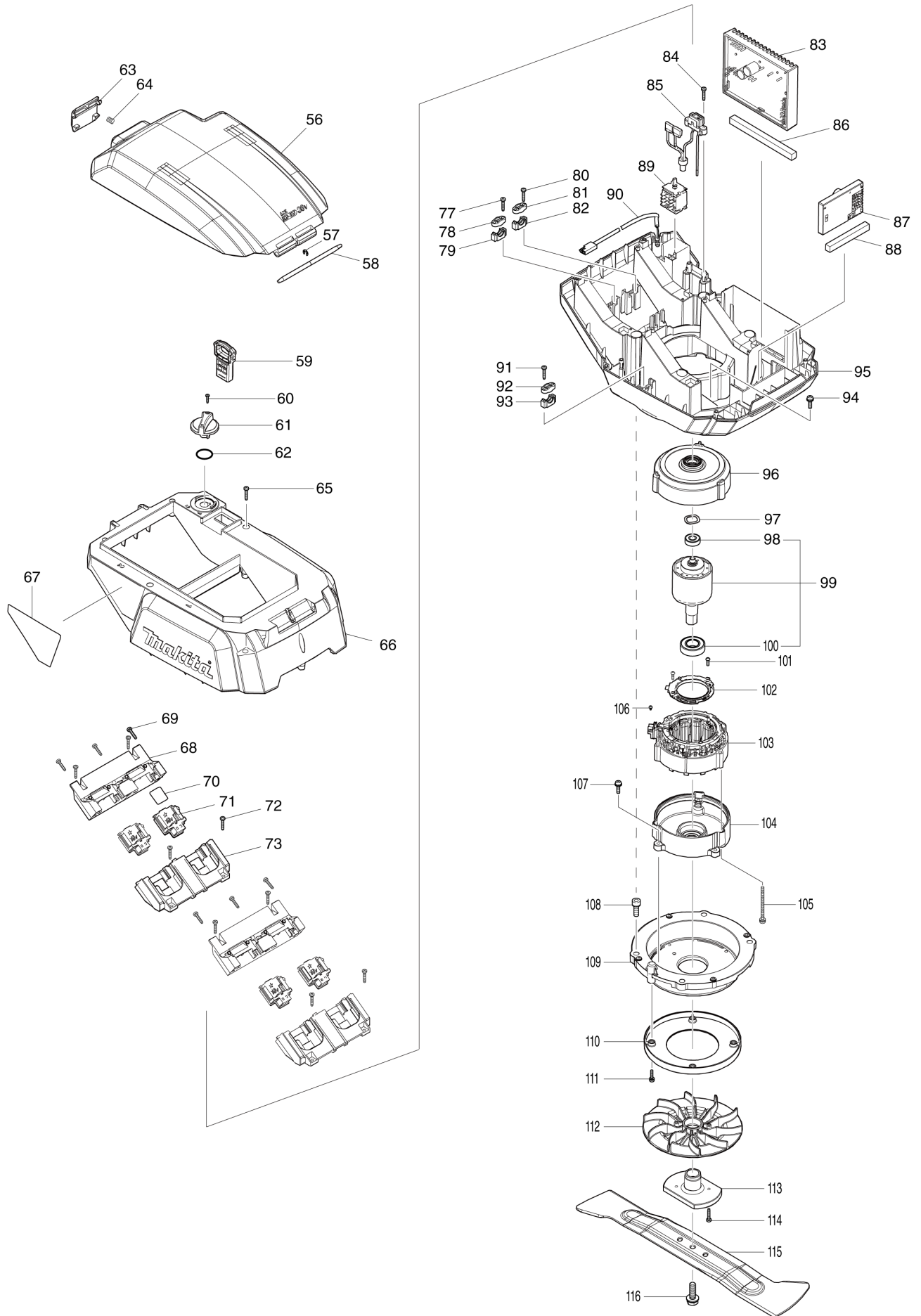
DLM462

460MM CORDLESS LAWN MOWER

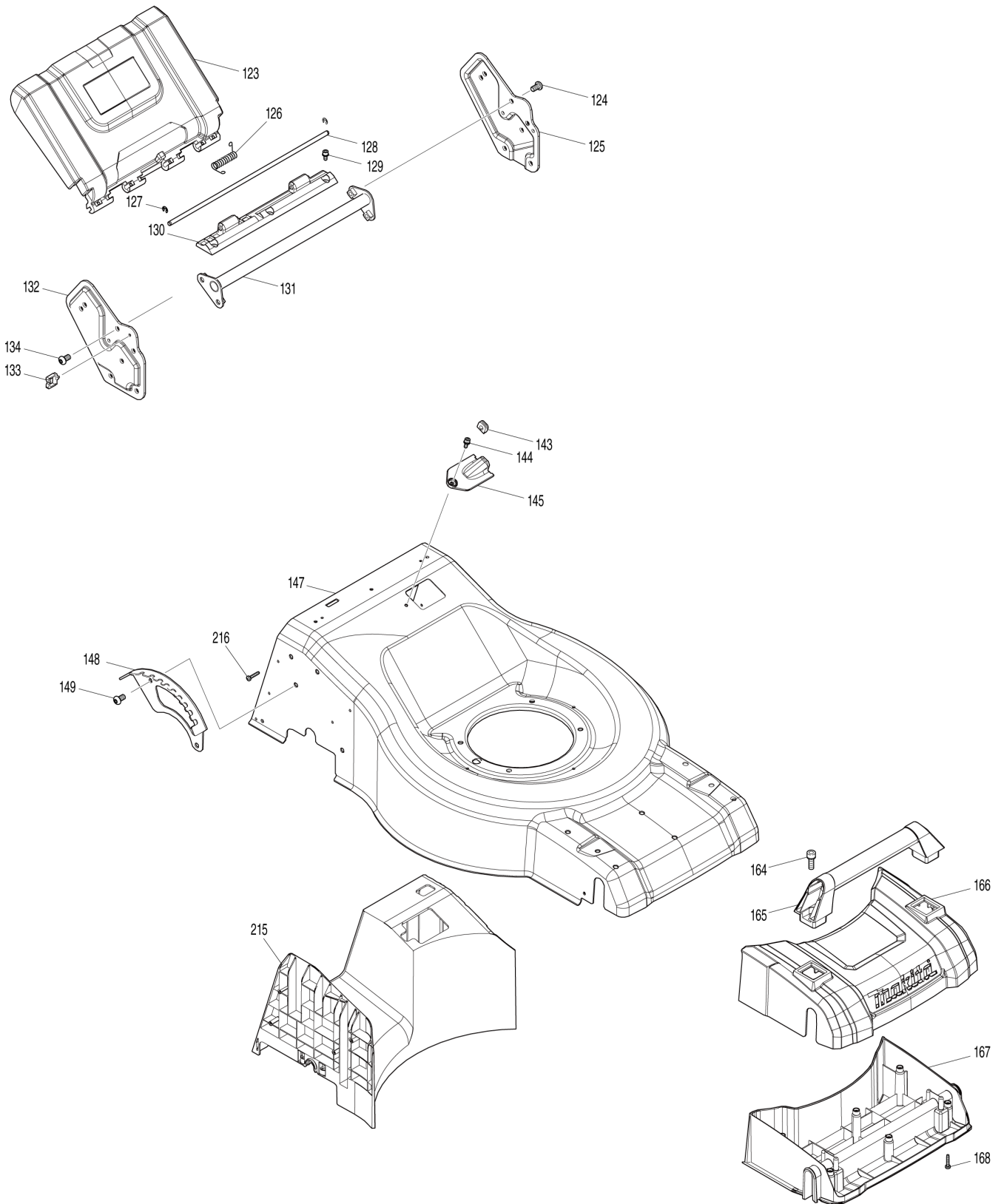
(VN) DLM462 / 460MM CORDLESS LAWN MOWER



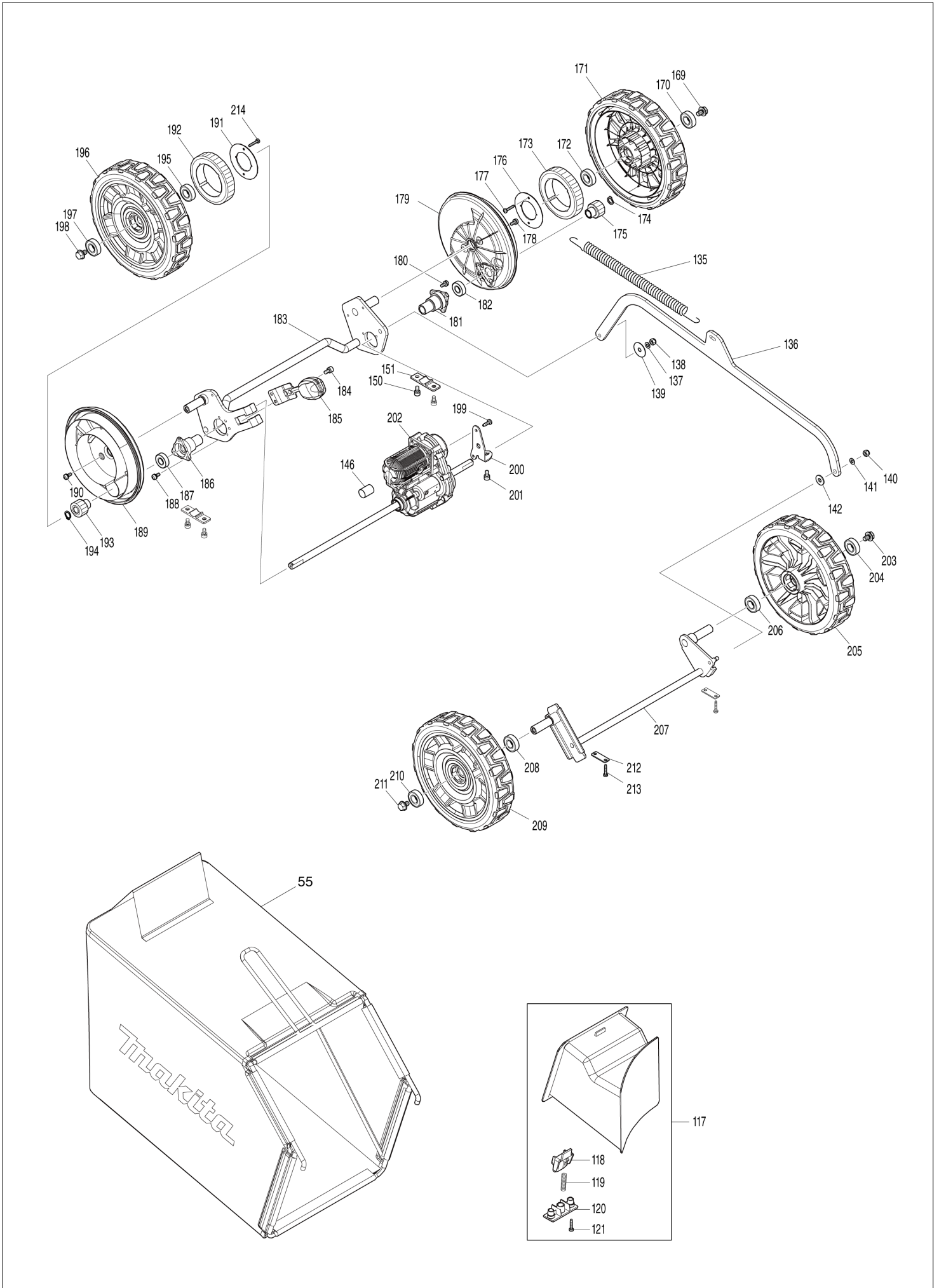
(VN) DLM462 / 460MM CORDLESS LAWN MOWER



(VN) DLM462 / 460MM CORDLESS LAWN MOWER



(VN) DLM462 / 460MM CORDLESS LAWN MOWER



VN	VIETNAM
-----------	----------------

DLM462 / 460MM CORDLESS LAWN MOWER

Item	Sub	Parts No.	Parts Description	Qty	I/C	E/C No.	Close No.	Remark
001		327425-6	DRIVING LEVER	1				
002		459859-6	DRIVING LEVER HOLDER	1				
003		232566-4	TORSION SPRING 12	1				
004		911138-5	P.H.SCREW M4X20 WITH WR	1				
005		459864-3	DRIVING LEVER SUPPORT L	1				
006		267136-0	FLAT WASHER 5	1				
007		266424-2	TAPPING SCREW 4X20	1				
008		266424-2	TAPPING SCREW 4X20	1				
009		267136-0	FLAT WASHER 5	1				
010		459858-8	DRIVING LEVER SUPPORT R	1				
011		911138-5	P.H.SCREW M4X20 WITH WR	1				
012		459859-6	DRIVING LEVER HOLDER	1				
013		266424-2	TAPPING SCREW 4X20	6				
014		183N90-3	SWITCH BOX SET	1				
	D10		INC. 26					
015		140F09-7	SWITCH CIRCUIT COMPLETE	1				
	C10	810D46-0	SWITCH LABEL	1				
016		140F10-2	SWITCH CIRCUIT COMPLETE	1				
	C10	818A74-1	SWITCH LABEL	1				
017		232575-3	TORSION SPRING 12	1				
018		266424-2	TAPPING SCREW 4X20	2				
019		687124-5	STRAIN RELIEF	1				
020		459860-1	SWITCH BOX	1				
021		620C48-0	INDICATION CIRCUIT COMPLETE	1				
	C10	8007C8-5	INDICATION LABEL	1				
022		620415-1	SUB CONTROLLER	1				
023		651083-9	SWITCH C3XA-1PSPM	1				
024		459866-9	SPEED LEVER HOLDER	1				
025		213897-0	O-RING 26	1				
026		183N90-3	SWITCH BOX SET	1				
	D10		INC. 14					
027		266424-2	TAPPING SCREW 4X20	5				
028		459865-1	SPEED LEVER	1				
029		266424-2	TAPPING SCREW 4X20	1				
030		911138-5	P.H.SCREW M4X20 WITH WR	1				
031		459863-5	SWITCH LEVER SUPPORT L	1				
	C10	931102-0	HEX. NUT M4	1				
032		327424-8	SWITCH LEVER	1				
033		459856-2	SWITCH LEVER SUPPORT R	1				
	C10	931102-0	HEX. NUT M4	1				
034		911138-5	P.H.SCREW M4X20 WITH WR	1				
035		183P40-0	LEVER BOX SET	1				
	C10	8007C6-9	INDICATION LABEL	1				
	D10		INC. 41					
036		459857-0	LOCK OFF BUTTON	1				
037		231227-3	COMPRESSION SPRING 15	1				
038		632E26-0	SWITCH UNIT	1				
039		687124-5	STRAIN RELIEF	1				
040		266424-2	TAPPING SCREW 4X20	2				
041		183P40-0	LEVER BOX SET	1				
	C10	8007C6-9	INDICATION LABEL	1				
	D10		INC. 35					
042		266424-2	TAPPING SCREW 4X20	6				
043		699143-9	POWER SUPPLY CORD UNIT	1				
044		327421-4	HANDLE UPPER	1				
045		252278-3	HEX. CAP NUT M8	1				
046		327423-0	HANDLE LOWER	1				
047		265A62-3	FLAT HEAD BOLT M8X38	1				
048		265A62-3	FLAT HEAD BOLT M8X38	1				
049		252278-3	HEX. CAP NUT M8	1				
050		459905-5	CLAMP	1				
051		921451-3	HEX. BOLT M8X30	2				
052		459905-5	CLAMP	1				
053		921451-3	HEX. BOLT M8X30	2				
054		699142-1	POWER SUPPLY CORD UNIT	1				

B:DLM462PT4(H)

Interchange

O : Yes

X : No

< : the new part can be substituted for the current.

> : the current part can be substituted for the new.

S : Interchangeable as a set.

VN	VIETNAM
-----------	----------------

DLM462 / 460MM CORDLESS LAWN MOWER

Item	Sub	Parts No.	Parts Description	Qty	I/C	E/C No.	Close No.	Remark
055		127433-5	GRASS CATCHER ASSEMBLY	1				
056		140S03-7	BATTERY COVER COMPLETE	1				
	C10	890380-0	CAUTION LABEL	1				
057		961018-5	STOP RING E-5	1				
058		327536-7	ROD 6	1				
059		643535-4	KEY	1				
060		266404-8	TAPPING SCREW BIND 3X14	1				
061		459851-2	SWITCH LEVER	1				
062		213896-2	O-RING 24	1				
063		459852-0	LOCK LEVER	1				
064		231037-8	COMPRESSION SPRING 7	1				
065		266424-2	TAPPING SCREW 4X20	7				
066		459847-3	COWLING UPPER	1				
067		856P63-8	DLM462 NAME PLATE	1				
068		183N78-3	TERMINAL HOUSING SET	2				
	C10	263005-3	RUBBER PIN 6	8				
	D10		INC. 73					
069		266424-2	TAPPING SCREW 4X20	6				
070		856P71-9	DLM462 SERIAL NO. LABEL	1				
071		644809-6	TERMINAL	4				
072		266424-2	TAPPING SCREW 4X20	8				
073		183N78-3	TERMINAL HOUSING SET	2				
	C10	263005-3	RUBBER PIN 6	8				
	D10		INC. 68					
077		266424-2	TAPPING SCREW 4X20	2				
078		687124-5	STRAIN RELIEF	1				
079		687051-6	STRAIN RELIEF	1				
080		266424-2	TAPPING SCREW 4X20	2				
081		687124-5	STRAIN RELIEF	1				
082		687051-6	STRAIN RELIEF	1				
083		620C44-8	CONTROLLER	1				
084		266424-2	TAPPING SCREW 4X20	2				
085		632P74-5	LEAD UNIT	1				
086		422529-0	SPONGE B	1				
087		620C47-2	CONTROLLER	1				
088		422528-2	SPONGE A	1				
089		651444-3	SWITCH 1703.4703	1				
090		699145-5	POWER SUPPLY CORD UNIT	1				
091		266424-2	TAPPING SCREW 4X20	2				
092		687124-5	STRAIN RELIEF	1				
093		687051-6	STRAIN RELIEF	1				
094		911233-1	PAN HEAD SCREW M5X20	4				
095		459848-1	COWLING LOWER	1				
096		319869-4	MOTOR HOUSING UPPER	1				
097		253455-0	WAVE WASHER 19	1				
098		210141-6	BALL BEARING 6000DDW	1				
099		519606-8	ROTOR ASSY	1				
	D10		INC. 98,100					
100		211387-7	BALL BEARING 6004LLU	1				
101		265B29-7	TAPPING SCREW PT 2X8	2				
102		620B88-2	CONTROLLER B	1				
103		629465-3	STATOR	1				
104		319870-9	MOTOR HOUSING LOWER	1				
105		911691-1	PAN HEAD SCREW M5X70	3				
106		652031-1	PAN HEAD SCREW M3X6	3				
107		911233-1	PAN HEAD SCREW M5X20	4				
108		922441-9	HEX. SOCKET HEAD BOLT M8X25	4				
109		319867-8	MOTOR BRACKET	1				
110		459853-8	BAFFLE PLATE	1				
111		911126-2	PAN HEAD SCREW M4X16	4				
112		240205-2	FAN 170	1				
113		319882-2	BLADE SUPPORT	1				
114		266424-2	TAPPING SCREW 4X20	2				
115		191D51-9	BLADE 460 SET	1				
116		265A69-9	HEX. BOLT M10X35 WITH WG	1				

B:DLM462PT4(H)

Interchange

O : Yes

X : No

< : the new part can be substituted for the current.

> : the current part can be substituted for the new.

S : Interchangeable as a set.

VN	VIETNAM
-----------	----------------

DLM462 / 460MM CORDLESS LAWN MOWER

Item	Sub	Parts No.	Parts Description	Qty	I/C	E/C No.	Close No.	Remark
117		127515-3	MULCHING PLUG ASSEMBLY	1				
	D10		INC. 118-121					
118		459884-7	LOCK LEVER	1				
119		231401-3	COMPRESSION SPRING 7	1				
120		459885-5	LOCK LEVER SUPPORT	1				
121		266424-2	TAPPING SCREW 4X20	2				
123		140R95-0	REAR FLAP COMPLETE	1				
	C10	8007P8-6	CAUTION LABEL	1				
124		265B20-5	HEX.SOCKET BUTTON HEAD BOLT M8	4				
125		347579-3	HANDLE BRACKET L	1				
126		233597-6	TORSION SPRING 8	1				
127		961018-5	STOP RING E-5	2				
128		327419-1	ROD 6	1				
129		922213-2	H.S.H.BOLT M5X12 WITH WR	3				
130		459879-0	REAR FLAP HOLDER PLATE	1				
131		162693-2	REAR GRIP	1				
132		347578-5	HANDLE BRACKET R	1				
133		451825-9	CLAMP	1				
134		265B20-5	HEX.SOCKET BUTTON HEAD BOLT M8	4				
135		232628-8	TENSION SPRING 16	1				
136		347581-6	CONNECTING ROD	1				
137		941151-9	FLAT WASHER 6	1				
138		252014-7	HEX. LOCK NUT M6-10	1				
139		267216-2	FLAT WASHER 8	1				
140		252014-7	HEX. LOCK NUT M6-10	1				
141		941151-9	FLAT WASHER 6	1				
142		253762-1	FLAT WASHER 8	1				
143		422526-6	GROMMET	1				
144		922213-2	H.S.H.BOLT M5X12 WITH WR	1				
145		459880-5	LEAD COVER	1				
146		683A20-1	POLYOLEFIN TUBE	1				
147		347560-4	DECK	1				
148		347582-4	HEIGHT ADJUST PLATE	1				
149		265B20-5	HEX.SOCKET BUTTON HEAD BOLT M8	2				
150		922311-2	HEX. SOCKET HEAD BOLT M6X12	4				
151		313290-9	REAR SHAFT HOLDER COVER	2				
164		922441-9	HEX. SOCKET HEAD BOLT M8X25	2				
165		459870-8	FRONT GRIP	1				
166		459873-2	FRONT COVER	1				
167		459874-0	DECK UNDER COVER F	1				
168		266424-2	TAPPING SCREW 4X20	6				
169		265324-3	HEX. FLANGE HEAD BOLT M8X12	1				
170		211247-3	BALL BEARING 6002DDW	1				
171		127513-7	REAR WHEEL ASSEMBLY	1				
172		211247-3	BALL BEARING 6002DDW	1				
173		226941-4	SPUR GEAR 49	1				
174		961052-5	RETAINING RING S-12	1				
175		226940-6	SPUR GEAR 12	1				
176		347586-6	GEAR HOLDER PLATE	1				
177		266424-2	TAPPING SCREW 4X20	2				
178		911213-7	PAN HEAD SCREW M5X12	2				
179		459867-7	WHEEL CAP	1				
180		911213-7	PAN HEAD SCREW M5X12	3				
181		327426-4	REAR SHAFT HOLDER	1				
182		210163-6	BALL BEARING 6001DDW	2				
183		162691-6	REAR SHAFT	1				
184		922311-2	HEX. SOCKET HEAD BOLT M6X12	2				
185		162694-0	HEIGHT ADJUST LEVER COMPLETE	1				
186		327426-4	REAR SHAFT HOLDER	1				
187		210163-6	BALL BEARING 6001DDW	2				
188		911213-7	PAN HEAD SCREW M5X12	3				
189		459867-7	WHEEL CAP	1				
190		911213-7	PAN HEAD SCREW M5X12	2				
191		347586-6	GEAR HOLDER PLATE	1				
192		226941-4	SPUR GEAR 49	1				

B:DLM462PT4(H)

Interchange

O : Yes

X : No

< : the new part can be substituted for the current.

> : the current part can be substituted for the new.

S : Interchangeable as a set.

