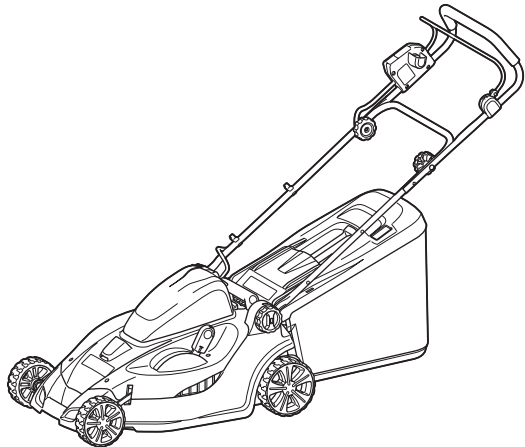




EN	Cordless Lawn Mower	INSTRUCTION MANUAL	6
ZHCN	充电式草坪修剪机	使用说明书	14
ID	Mesin Pemotong Rumput Tanpa Kabel	PETUNJUK PENGGUNAAN	22
VI	Máy Cắt Cỏ Đẩy Cầm Tay Hoạt Động Bằng Pin	TÀI LIỆU HƯỚNG DẪN	31
TH	เครื่องตัดหญ้าไร้สาย	คู่มือการใช้งาน	39

DLM431



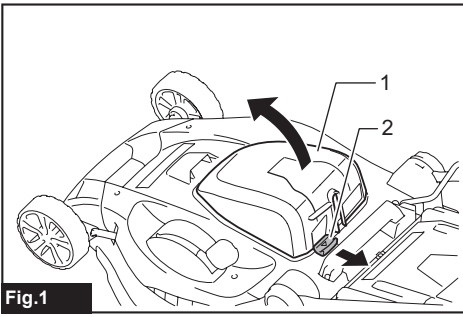


Fig.1

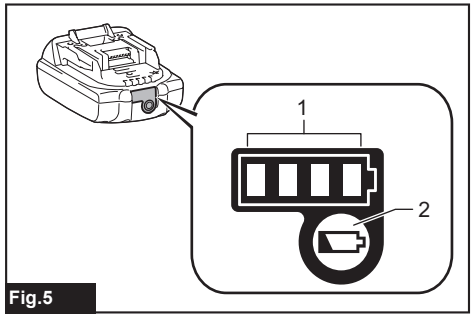


Fig.5

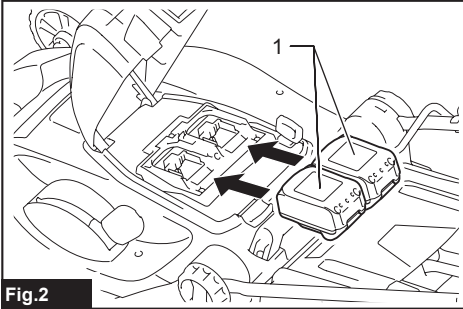


Fig.2

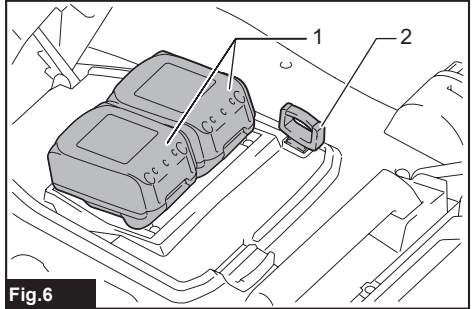


Fig.6

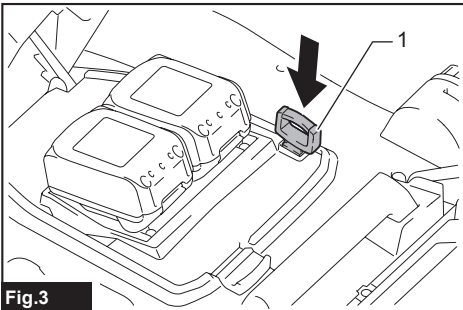


Fig.3

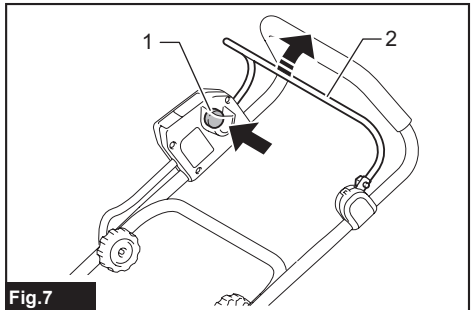


Fig.7

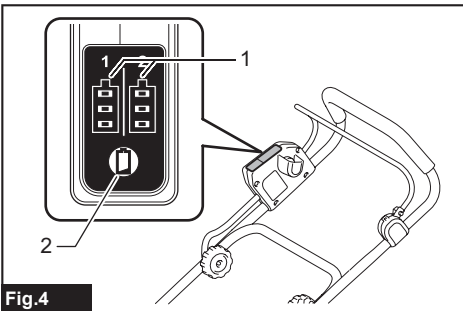


Fig.4

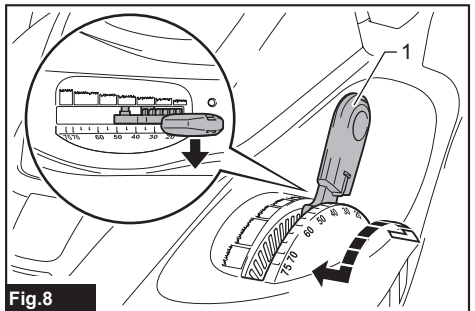


Fig.8

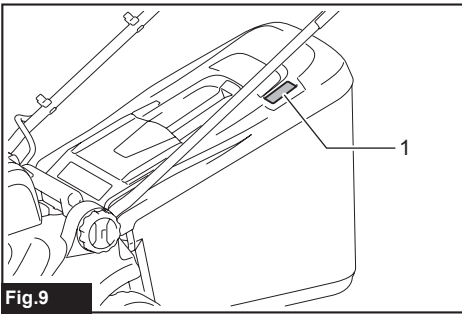


Fig.9

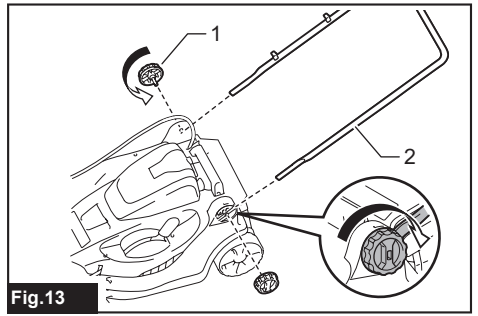


Fig.13

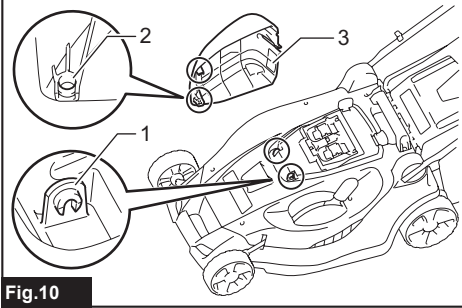


Fig.10

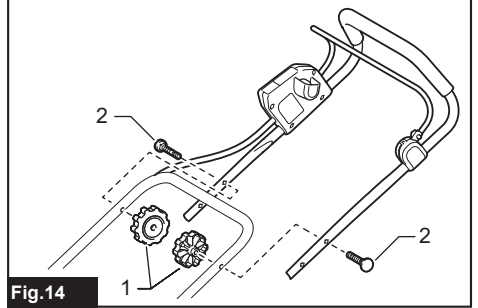


Fig.14

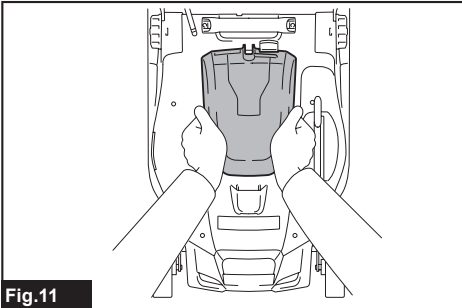


Fig.11

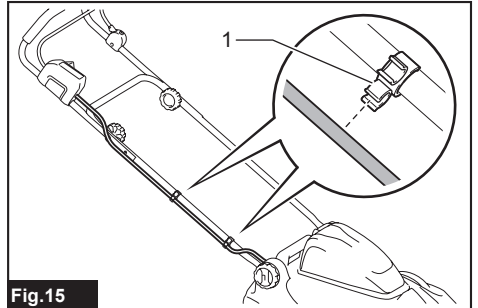


Fig.15

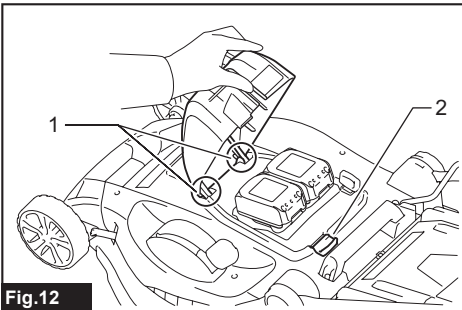


Fig.12

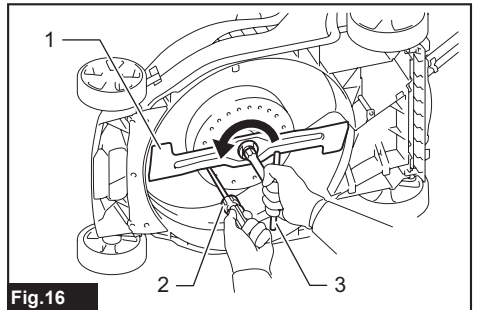


Fig.16

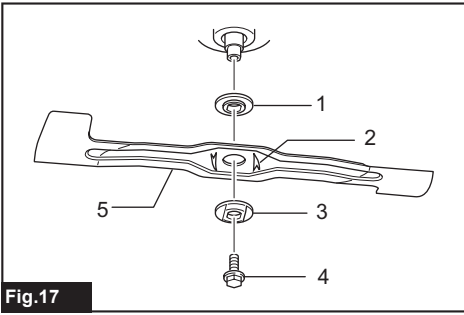


Fig.17

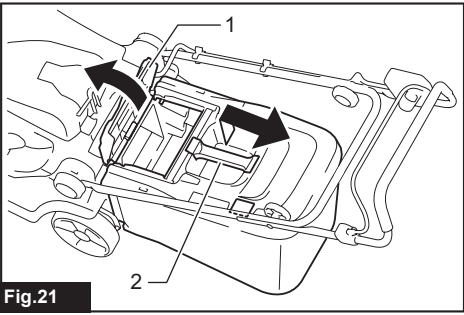


Fig.21

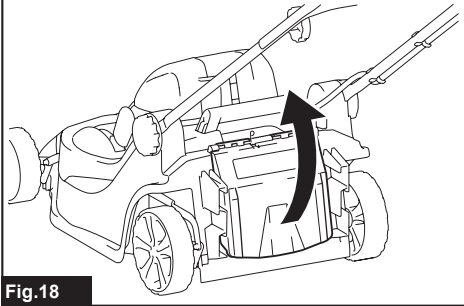


Fig.18

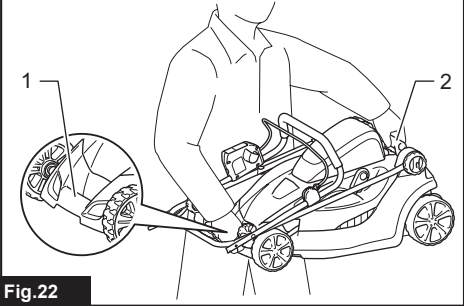


Fig.22

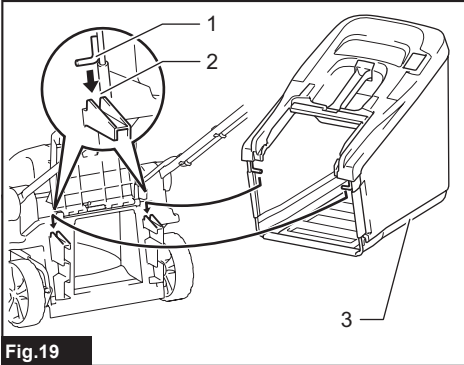


Fig.19

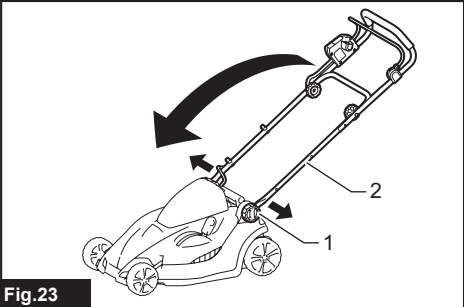


Fig.23

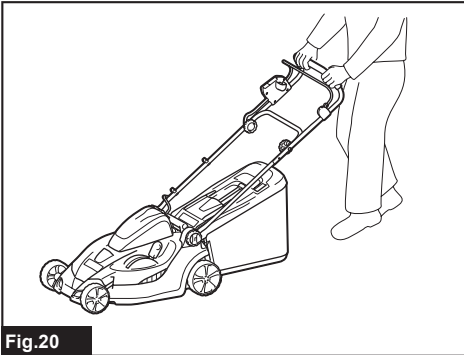


Fig.20

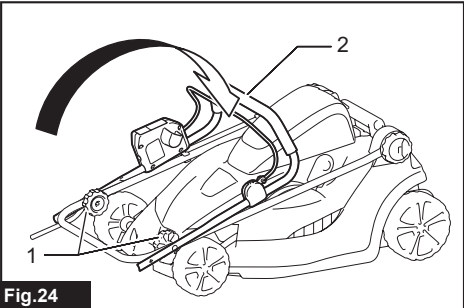
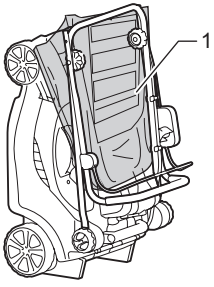


Fig.24

Fig.25



SPECIFICATIONS

Model:		DLM431	
Mowing width (blade diameter)		430 mm	
No load speed		3,600 min ⁻¹	
Dimensions (L x W x H)	during operation	Max. 1,490 mm x 460 mm x 1,020 mm Min. 1,450 mm x 460 mm x 950 mm	
	when stored (without grass basket)	490 mm x 460 mm x 910 mm	
Rated voltage		D.C. 36 V	
Standard battery cartridge(s) ⚠Warning: Use only the battery cartridge(s) described.		BL1815N/BL1820/BL1820B	BL1830/BL1830B/BL1840/BL1840B/ BL1850/BL1850B/BL1860B
Net weight		17.8 kg	18.3 kg

- Due to our continuing program of research and development, the specifications herein are subject to change without notice.
- Specifications and battery cartridge may differ from country to country.
- Weight, with battery cartridge, according to EPTA-Procedure 01/2003

Symbols

The followings show the symbols used for the equipment. Be sure that you understand their meaning before use.

	Take particular care and attention.
	Read instruction manual.
	Danger; be aware of thrown objects.
	The distance between the tool and bystanders must be at least 15 m.
	Never put your hands and feet near the blade under the mower. Blades continue to rotate after the motor is switched off.
	Remove the lock key before inspecting, adjusting, cleaning, servicing, leaving and storing the mower.
 Ni-MH Li-Ion	Only for EU countries Do not dispose of electric equipment or battery pack together with household waste material! In observance of the European Directives, on Waste Electric and Electronic Equipment and Batteries and Accumulators and Waste Batteries and Accumulators and their implementation in accordance with national laws, electric equipment and batteries and battery pack(s) that have reached the end of their life must be collected separately and returned to an environmentally compatible recycling facility.

Intended use

The machine is intended for lawn mowing.

IMPORTANT SAFETY INSTRUCTIONS

⚠WARNING: Read all safety warnings and all instructions. Failure to follow the warnings and instructions may result in electric shock, fire and/or serious injury.

Save all warnings and instructions for future reference.

1. Do not insert the key into mower until it is ready to be used.
2. Children should be supervised to ensure that they do not play with the mower.
3. Never allow children or people unfamiliar with these instructions to use the mower. Local regulations can restrict the age of the operator.
4. Never operate the mower while people, especially children, or pets are nearby.
5. Keep in mind that the operator or user is responsible for accidents or hazards occurring to other people or their property.
6. While operating the mower, always wear substantial footwear and long trousers. Do not operate the mower when barefoot or wearing open sandals. Avoid wearing clothing or jewelry that is loose fitting or that has hanging cords or ties. They can be caught in moving parts.
7. Operate the mower only in daylight or in good artificial light.
8. Avoid operating the mower in wet grass.
9. Never operate the mower in the rain.

10. **Battery tool use and care**
 - **Recharge only with the charger specified by the manufacturer.** A charger that is suitable for one type of battery cartridge may create a risk of fire when used with another battery cartridge.
 - **Use power tools only with specifically designated battery cartridges.** Use of any other battery cartridges may create a risk of injury and fire.
 - **When battery cartridge is not in use, keep it away from other metal objects, like paper clips, coins, keys, nails, screws or other small metal objects, that can make a connection from one terminal to another.** Shorting the battery terminals together may cause burns or a fire.
 - **Under abusive conditions, liquid may be ejected from the battery; avoid contact.** If contact accidentally occurs, flush with water. If liquid contacts eyes, additionally seek medical help. Liquid ejected from the battery may cause irritation or burns.
11. **Always keep a firm hold on the handle.**
12. **Always be sure of your footing on slopes.**
13. **Walk, never run.**
14. **Don't grasp the exposed cutting blades or cutting edges when picking up or holding the mower.**
15. **Physical condition - Do not operate mower while under the influence of drugs, alcohol, or any medication.**
16. **Keep hands and feet away from rotating blades. Caution - Blades coast after the mower is switched off.**
17. **Use only the manufacturer genuine blades specified in this manual.**
18. **Check the blades carefully for cracks or damage before operation. Replace cracked or damaged blades immediately.**
19. **Be sure the area is clear of other people before mowing. Stop mower if anyone enters the area.**
20. **Remove foreign matters such as rocks, wire, bottles, bones and large sticks from the work area before mowing to prevent personal injury or damage to the mower.**
21. **Stop operation immediately if you notice anything unusual. Switch off the mower and remove the key. Then inspect the mower.**
22. **Never attempt to make wheel height adjustments while mower is running.**
23. **Release switch lever and wait for blade rotation to stop before crossing driveways, walks, roads, and any gravel-covered areas. Also remove the key if you leave the mower, reach to pick up or remove something out of your way, or for any other reason that may distract you from what you are doing.**
24. **Objects struck by the mower blade can cause severe injuries to persons. The lawn should always be carefully examined and cleared of all objects prior to each mowing.**
25. **If the mower strikes a foreign object, follow these steps:**
 - **Stop the mower, release the switch lever and wait until the blade comes to a complete stop.**
 - **Remove the key and the battery cartridge.**
 - **Thoroughly inspect the mower for any damage.**
 - **Replace the blade if it is damaged in any way. Repair any damage before restarting and continuing to operate the mower.**
26. **Check the grass basket frequently for wear or deterioration. For storage, always make sure the grass basket is empty. Replace a worn grass basket with a new factory replacement for safety.**
27. **Use extreme caution when reversing or pulling the mower towards you.**
28. **Stop the blade(s) if the mower has to be tilted for transportation when crossing surfaces other than grass, and when transporting the mower to and from the area to be used.**
29. **Never operate the mower with defective guards or shields, or without safety devices, for example deflectors and/or grass basket, in place.**
30. **Switch on the mower carefully according to instructions and with feet well away from the blade(s).**
31. **Do not tilt the mower when switching on the motor, except if the mower has to be tilted for starting. In this case, do not tilt it more than absolutely necessary and lift only the part, which is away from the operator.**
32. **Do not start the mower when standing in front of the discharge opening.**
33. **Do not put hands or feet near or under rotating parts. Keep clear of the discharge opening at all times.**
34. **Do not transport the mower while the mower is turned on.**
35. **Stop the mower, and remove the disabling device. Make sure that all moving parts have come to a complete stop**
 - whenever you leave the mower,
 - before clearing blockages or unclogging chute,
 - before checking, cleaning or working on the mower,
 - after striking a foreign object. Inspect the mower for damage and make repairs before restarting and operating the mower.
36. **If the mower starts to vibrate abnormally (check immediately)**
 - inspect for damage,
 - replace or repair any damaged parts,
 - check for and tighten any loose parts.
37. **Be careful during adjustment of the mower to prevent entrapment of the fingers between moving blades and fixed parts of the mower.**
38. **Mow across the face of slopes, never up and down. Exercise extreme caution when changing direction on slopes. Do not mow excessively steep slopes.**

39. Do not wash with a hose; avoid getting water in motor and electrical connections.
 40. Check the blade mounting bolt at frequent intervals for proper tightness.
 41. Keep all nuts, bolts, and screws tight to be sure the equipment is in safe working condition.
 42. Always allow the mower to cool down before storing.
 43. When servicing the blades be aware that, even though the power source is switched off, the blades can still be moved.
 44. Replace worn or damaged parts for safety. Use only genuine replacement parts and accessories.
10. The contained lithium-ion batteries are subject to the Dangerous Goods Legislation requirements.
For commercial transports e.g. by third parties, forwarding agents, special requirement on packaging and labeling must be observed. For preparation of the item being shipped, consulting an expert for hazardous material is required. Please also observe possibly more detailed national regulations.
Tape or mask off open contacts and pack up the battery in such a manner that it cannot move around in the packaging.

SAVE THESE INSTRUCTIONS.

⚠WARNING: DO NOT let comfort or familiarity with product (gained from repeated use) replace strict adherence to safety rules for the subject product.

MISUSE or failure to follow the safety rules stated in this instruction manual may cause serious personal injury.

Important safety instructions for battery cartridge

1. Before using battery cartridge, read all instructions and cautionary markings on (1) battery charger, (2) battery, and (3) product using battery.
2. Do not disassemble battery cartridge.
3. If operating time has become excessively shorter, stop operating immediately. It may result in a risk of overheating, possible burns and even an explosion.
4. If electrolyte gets into your eyes, rinse them out with clear water and seek medical attention right away. It may result in loss of your eyesight.
5. Do not short the battery cartridge:
 - (1) Do not touch the terminals with any conductive material.
 - (2) Avoid storing battery cartridge in a container with other metal objects such as nails, coins, etc.
 - (3) Do not expose battery cartridge to water or rain.

A battery short can cause a large current flow, overheating, possible burns and even a breakdown.

6. Do not store the tool and battery cartridge in locations where the temperature may reach or exceed 50 °C (122 °F).
7. Do not incinerate the battery cartridge even if it is severely damaged or is completely worn out. The battery cartridge can explode in a fire.
8. Be careful not to drop or strike battery.
9. Do not use a damaged battery.

11. When disposing the battery cartridge, remove it from the tool and dispose of it in a safe place. Follow your local regulations relating to disposal of battery.
12. Use the batteries only with the products specified by Makita. Installing the batteries to non-compliant products may result in a fire, excessive heat, explosion, or leak of electrolyte.
13. If the tool is not used for a long period of time, the battery must be removed from the tool.

SAVE THESE INSTRUCTIONS.

⚠CAUTION: Only use genuine Makita batteries. Use of non-genuine Makita batteries, or batteries that have been altered, may result in the battery bursting causing fires, personal injury and damage. It will also void the Makita warranty for the Makita tool and charger.

Tips for maintaining maximum battery life

1. Charge the battery cartridge before completely discharged. Always stop tool operation and charge the battery cartridge when you notice less tool power.
2. Never recharge a fully charged battery cartridge. Overcharging shortens the battery service life.
3. Charge the battery cartridge with room temperature at 10 °C - 40 °C (50 °F - 104 °F). Let a hot battery cartridge cool down before charging it.
4. Charge the battery cartridge if you do not use it for a long period (more than six months).

FUNCTIONAL DESCRIPTION

Installing or removing battery cartridge

⚠ CAUTION: Always switch off the machine before installing or removing of the battery cartridge.

⚠ CAUTION: Make sure that you lock the battery cover before use. Otherwise, mud, dirt, or water may cause damage to the product or the battery cartridge.

⚠ CAUTION: Always install the battery cartridge fully until the red indicator cannot be seen. If not, it may accidentally fall out of the machine, causing injury to you or someone around you.

⚠ CAUTION: Do not install the battery cartridge forcibly. If the cartridge does not slide in easily, it is not being inserted correctly.

NOTE: The machine does not work with only one battery cartridge.

To install the battery cartridge;

- Slide the battery cover locking lever and open the battery cover.
▶ **Fig.1:** 1. Battery cover 2. Battery cover locking lever
- Align the tongue on the battery cartridge with the slot on the mower then slide the cartridge until it locks in place with a little click. If you can see the red indicator on the upper side of the button, battery cartridge is not locked completely.
▶ **Fig.2:** 1. Battery cartridge
- Insert the lock key in the place shown in the figure as far as it will go.
▶ **Fig.3:** 1. Lock key
- Close the battery cover and push it until it is latched with the locking lever.

To remove the battery cartridge from the mower;

- Slide the battery cover locking lever and open the battery cover.
- Pull out the battery cartridge from the mower while sliding the button on the front of the cartridge.
- Pull out the lock key.
- Close the battery cover.

Tool / battery protection system

The tool is equipped with a tool/battery protection system. This system automatically cuts off power to the motor to extend tool and battery life. The tool will automatically stop during operation if the tool or battery is placed under one of the following conditions.

Overload protection

When the tool is operated in a manner that causes it to draw an abnormally high current, the tool automatically stops without any indication. In this situation, turn the tool off and stop the application that caused the tool to become overloaded. Then turn the tool on to restart.

Overheat protection

When the tool is overheated, the tool stops automatically. Let the tool cool down before turning the tool on again.








Overdischarge protection

When the battery capacity becomes low, the tool stops automatically. If the product does not operate even when the switches are operated, remove the batteries from the tool and charge the batteries.

Indicating the remaining battery capacity

▶ **Fig.4:** 1. Battery indicator 2. Check button

Press the check button to indicate the remaining battery capacities. The battery indicators correspond to each battery.

Battery indicator status		Remaining battery capacity
On	Off	
		 50% - 100%
		
		

Indicating the remaining battery capacity

Only for battery cartridges with the indicator

► Fig.5: 1. Indicator lamps 2. Check button

Press the check button on the battery cartridge to indicate the remaining battery capacity. The indicator lamps light up for a few seconds.

Indicator lamps			Remaining capacity
Lighted	Off	Blinking	
■	□	▧	75% to 100%
■	■	■	
■	■	□	
■	■	□	
■	□	□	50% to 75%
■	□	□	25% to 50%
■	□	□	0% to 25%
▧	□	□	Charge the battery.
■	■	□	The battery may have malfunctioned.
□	□	■	

NOTE: Depending on the conditions of use and the ambient temperature, the indication may differ slightly from the actual capacity.

Switch action

⚠WARNING: Before installing the battery cartridge, always check to see that the switch lever actuates properly and returns to the original position when released. Operating a machine with a switch that does not actuate properly can lead to loss of control and serious personal injury.

NOTE: The mower does not start without pressing the switch button even the switch lever is pulled.

NOTE: Mower may not start due to the overload when you try to mow long or dense grass at a time. Increase the mowing height in this case.

This mower is equipped with the interlock switch and handle switch. If you notice anything unusual with either of these switches, stop operation immediately and have them checked by your nearest Makita Authorized Service Center.

1. Install the battery cartridges. Insert the lock key into the interlock switch and then close the battery cover.

► Fig.6: 1. Battery cartridge 2. Lock key

2. Press the switch button and hold it.

3. Grab the upper handle and pull the switch lever.

► Fig.7: 1. Switch button 2. Switch lever

4. Release the switch button as soon as the motor starts running. The mower will continue to run until you release the switch lever.

5. Release the switch lever to stop the motor.

Adjusting the mowing height

⚠WARNING: Never put your hand or leg under the mower body when adjusting the mowing height.

⚠WARNING: Always make sure that the lever fits in the groove properly before operation.

The mowing height can be adjusted in the range of between 20 mm - 75 mm.

1. Remove the lock key.

2. Pull the mowing height adjusting lever to the outward of the mower body and move it to your desired mowing height.

► Fig.8: 1. Mowing height adjusting lever

NOTE: The mowing height figures should be used just as a guideline. Depending on the conditions of the lawn or the ground, the actual lawn height may become slightly different from the set height.

NOTE: Try a test mowing of grass in a less conspicuous place to get your desired height.

Grass level indicator

► Fig.9: 1. Grass level indicator

Grass level indicator shows the volume of mowed grass.

- When the grass basket is not full, the indicator floats during mowing.
- When the grass basket is full, the indicator does not float during mowing. In this case, stop mowing immediately and empty the basket. After emptying the basket, clean it so that its meshwork vents the air.

NOTE: This indicator is a rough guide. Depending on the conditions of inside of the basket, this indicator may not work properly.

ASSEMBLY

⚠WARNING: Always be sure that the lock key and battery cartridge are removed before carrying out any work on the mower. Failure to remove the lock key and the battery cartridge may result in serious personal injury from accidental start-up.

⚠WARNING: Never start the mower unless it is completely assembled. Operation of the machine in a partially assembled state may result in serious personal injury from accidental start-up.

Installing the battery cover

⚠ WARNING: Do not insert the lock key and battery cartridge before installing the battery cover. Failure to do so may cause a serious injury.

Install the battery cover completely before the operation. The battery cover protects the mower and battery cartridge from mud, dirt, and water.

1. Place the battery cover with the protrusions on the mower aligned with the holes on the battery cover.

► Fig.10: 1. Protrusion 2. Hole 3. Battery cover

2. Place your hands in the middle of the battery cover and push it.

► Fig.11

3. Before the first operation, check that the pivot point of the battery cover is attached properly. If the battery cover is installed correctly, it will not open until the battery cover locking lever is pulled.

► Fig.12: 1. Pivot point 2. Battery cover locking lever

Installing the handle

NOTICE: When installing handles, position the cords so that they are not caught by anything between the handles. If the cord is damaged, the mower switch may not work.

1. Slide the both ends of lower handle into the grooves of the mower then fully tighten the clamping screws.

► Fig.13: 1. Clamping screw 2. Lower handle

2. Align the screw holes of upper handle and lower handle. Secure them with the clamping screws and nuts.

► Fig.14: 1. Clamping nut 2. Clamping screw

NOTE: Hold the upper handle firmly so that it does not drop off your hand.

3. Attach the holders to the handle. Position the power supply cord as shown in the figure.

► Fig.15: 1. Holder

Removing or installing the mower blade

⚠ WARNING: Always remove the lock key and battery cartridge when removing or installing the blade. Failure to remove the lock key and battery cartridge may cause a serious injury.

⚠ WARNING: The blade coasts for a few seconds after releasing the switch. Do not start any operation until the blade comes to a complete stop.

⚠ WARNING: Always wear gloves when handling the blade.

To remove the mower blade, take the following steps.

1. Put the mower on its side so that the mowing height adjusting lever comes to the upper side.

2. To lock the blade rotation, insert a screwdriver or a similar tool into a hole on the base of the blade.

3. Turn the bolt counterclockwise with the wrench.

► Fig.16: 1. Mower blade 2. Screwdriver 3. Wrench

4. Remove the bolt, outer flange, mower blade, and inner flange in order.

► Fig.17: 1. Inner flange 2. Rotational direction arrow

3. Outer flange 4. Bolt 5. Mower blade

To install the mower blade, take the removal procedure in reverse.

⚠ WARNING: Install the blade carefully. It has a top/bottom facing. Place the blade so that the rotational direction arrow faces outward.

⚠ WARNING: Tighten the bolt clockwise firmly to secure the blade.

⚠ WARNING: Make sure that the blade and all the fixing parts are installed correctly and tightened securely.

⚠ WARNING: When you replace the blades, always follow the instructions provided in this manual.

Installing the grass basket

1. Remove the lock key.

2. Lift the rear guard of the mower body.

► Fig.18

3. Hook the grass basket on the groove of the mower body as shown in the figure.

► Fig.19: 1. Hook 2. Groove 3. Grass basket

OPERATION

Mowing

⚠ WARNING: Before mowing, clear away sticks and stones from mowing area. Furthermore, clear away any weeds from mowing area in advance.

⚠ WARNING: Always wear the safety goggles or safety glasses with side shields when operating the mower.

► Fig.20

Firmly hold the lawn mower handle with both hands when mowing.

The outside edges of the front wheels is the guideline for mowing width. Using the two front wheel outside edges as a guideline, mow in strips, overlapping by one half to one third the previous strip, to mow the lawn evenly.

Periodically check the grass basket for mowed grass. Empty the grass before it becomes full. Before every periodical check, be sure to stop the mower then remove the lock key and the battery cartridge.

NOTE: Using the mower with the grass basket full prevents smooth blade rotation and places an extra load on the motor, which may cause breakdown.

Mowing a long-grass lawn

Do not try to cut long grass all in one go. Instead, mow the lawn in some steps. Leave a day or two between mows until the lawn becomes evenly short.

NOTE: Mowing long grass to a short length all in one go may cause the grass to die. The cut grass may also block up inside of the mower body.

Emptying the grass basket

⚠WARNING: To reduce a risk of accident, regularly check the grass basket for any damage or weakened strength. Replace the grass basket if necessary.

1. Release the switch lever.
2. Remove the lock key.
3. Lift the rear guard and take out the grass basket by holding the handle.
▶ **Fig.21:** 1. Rear guard 2. Handle
4. Empty the grass basket.

MAINTENANCE & STORAGE

⚠WARNING: Always be sure that the lock key and battery cartridge are removed from the mower before storage or attempting to perform inspection or maintenance.

⚠WARNING: Always remove the lock key when the mower is not in use. Store the lock key in a safe place out of reach of children.

⚠WARNING: Wear gloves when performing inspection or maintenance.

NOTICE: Never use gasoline, benzine, thinner, alcohol or the like. Discoloration, deformation or cracks may result.

Maintenance

1. Remove the lock key. Store it in a safe place out of the reach of children.
2. Clean the mower using only a wet cloth. Do not spray or pour water on the mower when cleaning.
3. Put the mower on its side and clean grass clippings accumulated on the underside of mower deck.
4. Check all nuts, bolts, knobs, screws, fasteners etc. for tightness.
5. Inspect moving parts for damage, breakage, and wear. Damaged or missing parts should be repaired or replaced.

Storage

⚠WARNING: When carrying or storing the mower, do not hold the folded handles but the front grip of the mower. Holding the folded handles may cause a serious injury or damage to the mower.

Before storing the mower, remove the battery cartridge from it.

Store mower indoors in a cool, dry and locked place. Don't store the mower and charger in locations where the temperature may reach or exceed 40 °C (104 °F).

▶ **Fig.22:** 1. Front grip 2. Rear grip

1. Loosen the clamping screws and expand the lower handle to both sides. Move down the handle forward. At this time, keep a firm grip on the lower handle so that the handle does not fall down to the far side from the mower body.

▶ **Fig.23:** 1. Clamping screw 2. Lower handle

2. Loosen the clamping nuts and pivot the upper handle back while expanding the both sides.

▶ **Fig.24:** 1. Clamping nut 2. Upper handle

3. Store the grass basket between the handle and the mower body.

▶ **Fig.25:** 1. Grass basket

NOTE: When putting the mower in the upright position, do not hold the handle but use the front grip of the mower.

To maintain product SAFETY and RELIABILITY, repairs, any other maintenance or adjustment should be performed by Makita Authorized or Factory Service Centers, always using Makita replacement parts.

TROUBLESHOOTING

Before asking for repairs, conduct your own inspection first. If you find a problem that is not explained in the manual, do not attempt to dismantle the tool. Instead, ask Makita Authorized Service Centers, always using Makita replacement parts for repairs.

State of abnormality	Probable cause (malfunction)	Remedy
Mower does not start.	Two battery cartridges are not installed.	Install the charged battery cartridges.
	Battery problem (under voltage)	Recharge the battery cartridge. If recharging is not effective, replace battery cartridge.
	The lock key is not inserted.	Insert the lock key.
Motor stops running after a little use.	Battery's charge level is low.	Recharge the battery cartridge. If recharging is not effective, replace battery cartridge.
	Cutting height is too low.	Increase the cutting height.
Motor does not reach maximum RPM.	Battery cartridge is installed improperly.	Install the battery cartridge as described in this manual.
	Battery power is dropping.	Recharge the battery cartridge. If recharging is not effective, replace battery cartridge.
	The drive system does not work correctly.	Ask your local authorized service center for repair.
Mower blade does not rotate: ⇒ stop the mower immediately!	Foreign object such as a branch is jammed near the blade.	Remove the foreign object.
	The drive system does not work correctly.	Ask your local authorized service center for repair.
Abnormal vibration: ⇒ stop the mower immediately!	Blade is imbalanced, excessively or unevenly worn.	Replace the blade.

OPTIONAL ACCESSORIES

⚠ CAUTION: These accessories or attachments are recommended for use with your Makita tool specified in this manual. The use of any other accessories or attachments might present a risk of injury to persons. Only use accessory or attachment for its stated purpose.

If you need any assistance for more details regarding these accessories, ask your local Makita Service Center.

- Mower blade
- Makita genuine battery and charger

NOTE: Some items in the list may be included in the tool package as standard accessories. They may differ from country to country.

规格

型号:	DLM431	
修剪宽度 (刀片直径)	430 mm	
空载速度	3,600/min	
尺寸 (长 × 宽 × 高)	操作期间	最大: 1,490 mm × 460 mm × 1,020 mm 最小: 1,450 mm × 460 mm × 950 mm
	存放时 (不带草篮)	490 mm × 460 mm × 910 mm
额定电压	D.C. 36 V	
标准电池组  警告: 仅可使用指定的电池组。	BL1815N/BL1820/ BL1820B	BL1830/BL1830B/ BL1840/BL1840B/ BL1850/BL1850B/ BL1860B
净重	17.8 kg	18.3 kg

- 生产者保留变更规格不另行通知之权利。
- 规格和电池组可能因销往国家之不同而异。
- 重量 (带电池组) 符合 EPTA-Procedure 01/2003

符号

以下显示本工具使用的符号。在使用工具之前请务必理解其含义。

	特别小心和注意。
	阅读使用说明书。
	危险: 注意抛掷物体。
	工具和旁观者的距离至少为 15 米。
	切勿使手和脚靠近修剪机下面的刀片。电机关闭后刀片还会继续旋转。
	检查、调节、清洁、维修、放置或存放修剪机前, 请务必按下锁定钥匙。




仅限于欧盟国家
请勿将电气设备或电池组与家庭普通废弃物一同丢弃！
请务必遵守欧洲关于废弃电子电气设备、电池和蓄电池以及废弃电池和蓄电池的指令并根据法律法规执行的指令并分类回收至符合环境保护规定的再循环机构。

用途

本机用于修剪草坪。

重要安全注意事项

 **警告:** 阅读所有警告和所有说明。不遵照以下警告和说明会导致电击、着火和 / 或严重伤害。

保存所有警告和说明书以备查阅。

1. 准备使用时才可将钥匙插入修剪机。
2. 应看管好儿童, 勿让其玩耍本工具。

3. 切勿允许儿童或不熟悉这些使用须知的人员使用本修剪机。当地法规可能会限制操作人员的年龄。
4. 切勿在附近有人（特别是儿童）或宠物的情况下操作本修剪机。
5. 操作时要时刻谨记，如果给他人及其财产造成损失，操作者或用户要为此负责。
6. 操作本修剪机时，务必穿戴厚实的鞋子和长裤。请勿在赤脚或穿着露趾凉鞋时操作本修剪机。避免穿着或佩戴宽松或带有绳带的衣服或首饰。它们可能会被卷入运动部件中。
7. 仅可在光线充足或良好照明的情况下操作本修剪机。
8. 避免在湿草上操作本修剪机。
9. 切勿在雨中操作本修剪机。
10. 用电池驱动的电动工具的使用和保养
 - 请仅使用制造商指定的充电器进行充电。将适用于某一种类型电池组的充电器用于其他类型的电池组时，可能会导致起火。
 - 电动工具仅可使用专门指定的电池组。使用其他类型的电池组可能会导致人身伤害或起火。
 - 不使用电池组时请将其远离纸夹、硬币、钥匙、钉子、螺丝或其他小型金属物体放置。这些物体可能会使电池端子短路。使电池端子短路可能会导致灼伤或起火。
 - 使用过度时，电池中可能溢出液体。请避免接触。如果意外接触到电池漏液，请用水冲洗。如果液体接触到眼睛，请就医。电池漏液可能会导致过敏发炎或灼伤。
11. 请务必紧握手柄。
12. 请务必确保倾斜站立。
13. 操作时请行走，切勿跑动。
14. 搬动或握住修剪机时，请勿抓握外露的刀片或切割边。
15. 身体状况 - 请勿在药品、酒精或其他接受医疗的情况下操作修剪机。
16. 手和脚应远离旋转的刀片。注意 - 关闭修剪机后刀片仍会旋转。
17. 请仅使用本说明书中指定的正品刀片。
18. 操作之前，请仔细检查刀片上是否有裂缝或损坏。应立即更换有裂缝或损坏的刀片。
19. 修剪草坪前确保作业区域内无其他人员。如有任何人进入作业区域，请停止修剪机。
20. 修剪草坪前，请清除作业区域内的石块、铁丝、瓶子、骨头和大的树枝等异物，以防止人员受伤或损坏修剪机。
21. 若发现有任何异常请立即停止操作。关闭修剪机并拔下钥匙。然后检查修剪机。
22. 切勿尝试在修剪机仍在运转期间调节轮脚的高度。
23. 在穿过车道、人行道、道路或任何砾石覆盖的路面前，请释放开关柄并等待刀片停止旋转。在放置修剪机，捡取修剪路径上的异物或在任何可能分散注意力的情况下，请务必拔下钥匙。
24. 修剪机刀片撞击异物会导致严重的人身伤害。每次修剪前，请务必仔细检查草坪并清除所有异物。
25. 如果修剪机撞击到异物，请执行以下步骤：
 - 停止修剪机，释放开关柄并等待刀片完全停止。
 - 拔下钥匙并取出电池组。
 - 彻底检查修剪机有无损伤。
 - 如果刀片有任何损伤，请予以更换。重新启动并继续操作修剪机前，请修复任何损伤。
26. 时常检查草篮是否有磨损或劣化。存放时，务必确保清空草篮。出于安全需要，请使用新的原厂替换草篮更换磨损的草篮。
27. 反转或向自身拉修剪机时，务必小心谨慎。
28. 如果必须倾斜修剪机以搬运修剪机通过非草坪表面，以及修剪机进出作业区域时，请停止刀片。
29. 在保护罩或隔离罩有损坏，或者安全装置（如火花挡板和 / 或草篮）未安装到位时，请勿操作修剪机。
30. 根据操作指示小心开启修剪机，并使脚远离刀片。
31. 除必须倾斜修剪机进行启动外，请勿在开启电机时倾斜修剪机。需要倾斜修剪机时，切勿使倾斜度大于必要的程度，并仅提起离操作者较远的部分。
32. 请勿在站立在排出口前部时启动修剪机。
33. 勿使手和脚靠近旋转部件或置于其下。请勿在任何时间与排出口成直线站立。
34. 请勿在修剪机开启时进行搬运。

35. 停止修剪机，并拆下故障装置。确保所有运动部件已完全停止
 - 放置修剪机时；
 - 清除堵塞物或疏通滑槽前；
 - 检查、清洁或处理机器前；
 - 击打到异物后。在重新启动并操作修剪机前，检查修剪机损伤并进行修理时。
 36. 如果修剪机开始异常振动（立即检查）
 - 检查损伤；
 - 更换或修复任何损坏部件；
 - 检查并拧紧松散的部件。
 37. 调整修剪机时请小心谨慎，防止手指卷入移动刀片和修剪机的固定部件之间。
 38. 修剪斜面草坪时，切勿上下颠簸。在斜面上改变方向时，请务必小心谨慎。请勿修剪较陡的倾斜面。
 39. 请勿用水管冲洗，避免电机和电气连接部件进水。
 40. 时常检查刀片安装螺栓，确保紧固妥当。
 41. 保证所有螺母、螺栓和螺丝都已拧紧，确保设备处于安全的工作状态。
 42. 存放前，务必使修剪机充分冷却。
 43. 请注意，在维修刀片时，即便已切断电源，刀片仍可以移动。
 44. 出于安全需要，请更换磨损或损坏的部件。仅使用原厂正品替换部件和附件。
5. 请勿使电池组短路：
 - (1) 请勿使任何导电材料碰到端子。
 - (2) 避免将电池组与其他金属物品如钉子、硬币等放置在同一容器内。
 - (3) 请勿将电池组置于水中或使其淋雨。电池短路将产生大的电流，导致过热，并可能导致起火甚至击穿。
 6. 请勿将工具和电池组置于温度可能达到或超过**50 °C (122 °F)**的场所。
 7. 即使电池组已经严重损坏或完全磨损，也请勿焚烧电池组。电池组会在火中爆炸。
 8. 请小心，勿撞击电池或使其掉落。
 9. 请勿使用损坏的电池。
 10. 本工具附带的锂离子电池需符合危险品法规要求。

第三方或转运代理等进行商业运输时，应遵循包装和标识方面的特殊要求。有关运输项目的准备作业，咨询危险品方面的专业人士。同时，请遵守可能更为详尽的国家法规。

请使用胶带保护且勿遮掩表面的联络信息，并牢固封装电池，使电池在包装内不可动。
 11. 丢弃电池组时，需将其从工具上卸下并在安全地带进行处理。关于如何处理废弃的电池，请遵循当地法规。
 12. 仅将电池用于Makita（牧田）指定的产品。将电池安装至不兼容的产品会导致起火、过热、爆炸或电解液泄漏。
 13. 如长时间未使用工具，必须将电池从工具内取出。

请保留此说明书。

警告： 请勿为图方便或因对产品足够熟悉（由于重复使用而获得的经验）而不严格遵循相关产品安全规则。

使用不当或不遵循使用说明书中的安全规则会导致严重的人身伤害。

电池组的重要安全注意事项

1. 在使用电池组之前，请仔细通读所有的说明以及（1）电池充电器，（2）电池，以及（3）使用电池的产品上的警告标记。
2. 请勿拆解电池组。
3. 如果机器运行时间变得过短，请立即停止使用。否则可能会导致过热、起火甚至爆炸。
4. 如果电解液进入您的眼睛，用清水将其冲洗干净并立即就医。否则可能会导致视力受损。

请保留此说明书。

小心： 请仅使用Makita（牧田）原装电池。使用非Makita（牧田）原装电池或经过改装的电池可能会导致电池爆炸，从而造成火灾、人身伤害或物品受损。同时也会导致牧田工具和充电器的牧田保修服务失效。

保持电池最大使用寿命的提示

1. 在电池组电量完全耗尽前及时充电。发现工具电量低时，请停止工具操作，并给电池组充电。
2. 请勿对已充满电的电池组重新充电。过度充电将缩短电池的使用寿命。
3. 请在**10 °C - 40 °C (50 °F - 104 °F)**的室温条件下给电池组充电。请在灼热的电池组冷却后再充电。
4. 如果电池组长时间（超过六个月）未使用，请给其充电。

功能描述

安装或拆卸电池组

⚠️小心： 安装或拆卸电池组之前，请务必关闭机器电源。

⚠️小心： 使用前务必锁紧电池盖。以免泥土、灰尘或有水进入，使产品或电池组受损。

⚠️小心： 务必完全装入电池组，直至看不见红色指示灯为止。否则，它可能会从机器中意外脱落，从而造成自身或他人受伤。

⚠️小心： 请勿强行安装电池组。如果电池组难以插入，可能是插入方法不当。

注： 仅安装单个电池组时，机器无法工作。

安装电池组；

1. 滑动电池盖锁定杆并打开电池盖。
▶ **图片1：** 1. 电池盖 2. 电池盖锁定杆
2. 将电池组上的舌簧与修剪机上的槽对齐，滑动电池组，直到电池组被锁定并发出卡嗒声为止。如果插入后仍能看到按钮上侧的红色指示灯，则说明电池组未完全锁紧。
▶ **图片2：** 1. 电池组
3. 在图示位置将锁定钥匙插入到底。
▶ **图片3：** 1. 锁定钥匙
4. 关闭电池盖并推动直至其与锁定杆扣合。

从修剪机上拆下电池组；

1. 滑动电池盖锁定杆并打开电池盖。
2. 滑动电池组前侧的按钮，同时将电池组从工具中抽出。
3. 拔出锁定钥匙。
4. 关闭电池盖。

工具 / 电池保护系统

本工具配备有工具 / 电池保护系统。该系统可自动切断电机电源以延长工具和电池寿命。作业时，如果工具或电池处于以下情况，工具将会自动停止运转。部分情况下，指示灯会亮起。

过载保护

以导致异常高电流的方式操作工具时，工具会自动停止运转，指示灯不闪烁。在这种情况下，请关闭工具并停止导致工具过载的应用操作。然后开启工具重新启动。

过热保护

工具过热时，工具会自动停止。请等待工具冷却后再开启工具。






过放电保护

电池剩余电量变低时，本工具自动停止运转。如果即使在打开开关时本产品仍不运转，请从工具上拆下电池并给电池充电。

显示电池的剩余电量

- ▶ **图片4：** 1. 电池指示灯 2. CHECK（查看）按钮

按CHECK（查看）按钮可显示电池剩余电量。各个电池有与之相对应的电池指示灯。

电池指示灯状态		剩余的 电池电量
 亮起	 熄灭	
		50% - 100%
		20% - 50%
		0% - 20%

显示电池的剩余电量

仅限带指示灯的电池组

► 图片5: 1. 指示灯 2. CHECK (查看) 按钮

按电池组上的CHECK (查看) 按钮可显示电池剩余电量。指示灯将亮起数秒。

指示灯			剩余电量
■ 点亮	□ 熄灭	▧ 闪烁	
	■ ■ ■ ■		75%至100%
	■ ■ ■ □		50%至75%
	■ ■ □ □		25%至50%
	■ □ □ □		0%至25%
▧ □ □ □			给电池充电。
■ ■ □ □ ↑ ↓ □ □ ■ ■			电池可能出现故障。

注：在不同的使用条件及环境温度下，指示灯所示电量可能与实际情况略有不同。

开关操作

警告： 在安装电池组之前，请务必检查开关柄是否能扣动自如，松开时能否退回至原位。若机器上的开关无法正常工作，将可能导致机器失控，并造成严重的人身伤害。

注：在未按下开关按钮时，即便已扣动开关柄，修剪机也不会启动。

注：试图一次修剪过长或过于浓密的草可能会导致修剪机因过载而无法启动。在这种情况下请调高修剪高度。

本修剪机配备有联锁开关和手柄开关。如果您注意到这些开关有任何异常，请立即停止操作，并将工具交由最近的Makita (牧田) 授权维修服务中心进行检查。

1. 安装电池组。将锁定钥匙插入联锁开关中，然后关闭电池盖。

► 图片6: 1. 电池组 2. 锁定钥匙

2. 按住开关按钮。

3. 抓住上部手柄并拉动开关柄。

► 图片7: 1. 开关按钮 2. 开关柄

4. 电机启动运转时即释放开关按钮。修剪机将会继续运转直至您释放了开关柄。

5. 松开开关柄电机即停止。

调节修剪高度

警告： 调节修剪高度时，切勿使手和腿置于修剪机机身之下。

警告： 操作前请务必确保调节柄正确置于凹槽中。

您可在20 mm - 75 mm范围内调节修剪高度。

1. 拔下锁定钥匙。

2. 朝修剪机机身之外的方向扣动修剪高度调节柄，将其移动至所需的修剪高度。

► 图片8: 1. 修剪高度调节柄

注：仅可将修剪高度数值作为参考。草坪和地面的状况会使草坪高度与设定的高度略有不同。

注：请在不显眼的位置进行测试修剪以获得理想的修剪高度。

草量指示器

► 图片9: 1. 草量指示器

草量指示器显示被割掉的草的量。

- 如草篮未满，指示器在修剪期间处于悬浮状态。
- 如草篮已满，指示器在修剪期间则不会处于悬浮状态。在这种情况下，请立即停止修剪并倒空草篮。然后，清洁草篮使草篮的网状部分通风。

注：指示器仅为粗略指示。视草篮内部的情况而定，指示器可能无法正常操作。

装配

警告： 对修剪机进行任何装配操作前，请务必拔下锁定钥匙，并取出电池组。未拔下锁定钥匙并取出电池组可能会造成意外启动，导致严重的人身伤害。

警告： 仅可在完整装配后启动修剪机。部分装配的情况下操作机器，将可能因意外启动而导致严重的人身伤害。

安装电池盖

警告： 安装电池盖之前请勿插入锁定钥匙和电池组。否则可能会导致严重人身伤害。

操作前请安装好电池盖。电池盖可保护修剪机和电池组，以免进入泥土、灰尘或水。

1. 安装电池盖，使修剪机上的凸起部分与电池盖上的孔对齐。

► 图片10: 1. 凸起部分 2. 孔 3. 电池盖

2. 将手放在电池盖的中间并推动。

► 图片11

3. 首次操作前，检查电池盖的轴心点是否已安装牢固。在电池盖安装正确的情况下，仅在拉动电池盖锁定杆时才会打开。

► 图片12: 1. 轴心点 2. 电池盖锁定杆

安装手柄

注意： 安装手柄时，勿使导线夹在手柄之间的部件中。如导线破损，修剪机开关则可能无法工作。

1. 将下部手柄的两端滑到修剪机的凹槽中，然后拧紧夹紧螺丝。

► 图片13: 1. 夹紧螺丝 2. 下部手柄

2. 对齐上部手柄和下部手柄上的螺丝孔。用夹紧螺丝和螺母将其固定。

► 图片14: 1. 夹紧螺母 2. 夹紧螺丝

注： 牢握上部手柄以免修剪机从手中滑落。

3. 将支架安装至手柄。如图所示布置电源线。

► 图片15: 1. 支架

拆卸或安装修剪机刀片

警告： 拆卸或安装刀片时，请务必拔下锁定钥匙并取出电池组。未拔下锁定钥匙并取出电池组可能会造成严重的人身伤害。

警告： 释放开关后，刀片仍会旋转数秒钟。切勿在刀片完全停止前进行任何操作。

警告： 处理刀片时，务必佩戴手套。

拆卸修剪机刀片时，请执行以下步骤。

1. 侧面放置修剪机，使得修剪高度调节柄位于上侧。

2. 要锁定刀片旋转时，请将螺丝起子或类似工具插入刀片基座上的孔。

3. 使用扳手逆时针转动螺钉。

► 图片16: 1. 修剪机刀片 2. 螺丝起子 3. 扳手

4. 依次拆下螺钉、外法兰盘、修剪机刀片和内法兰盘。

► 图片17: 1. 内法兰盘 2. 旋转方向箭头 3. 外法兰盘 4. 螺栓 5. 修剪机刀片

要安装修剪机锯片时，可按与拆卸时相反的步骤进行。

警告： 安装刀片时，请小心谨慎。确保其具有正确的上部/下部朝向。安装刀片时，要使得旋转方向箭头朝外。

警告： 顺时针拧紧螺栓以固定刀片。

警告： 确保刀片和所有固定件均已正确安装和牢牢紧固。

警告： 更换刀片时，务必遵循本说明书中的指示。

安装草篮

1. 拔下锁定钥匙。

2. 抬起修剪机机身的后保护罩。

► 图片18

3. 如图所示将草篮钩挂到修剪机机身的凹槽上。

► 图片19: 1. 挂钩 2. 凹槽 3. 草篮

操作

修剪

警告： 开始修剪操作前，请清除修剪区域内的树枝和石块。此外，还要事先清除修剪区域内的任何杂草。

警告： 操作修剪机前，请务必佩戴带有侧面罩的护目镜或安全眼镜。

► 图片20

修剪操作时，请用双手牢牢握住草坪修剪机的手柄。

前轮脚的外缘用作修剪宽度的参照线。请使用两个前轮脚的外缘作为参照，进行长条形修剪。修剪一遍后，向回倒至上一次修剪长度的1/2至1/3处继续修剪，以均匀修剪草坪。

定时检查草篮中的草。在其已满前清空。每次定时检查前，请务必停止修剪机，并拔下锁定钥匙和取下电池组。

注：在草篮已满的情况下使用修剪机，会有碍于刀片旋转并给电机带来额外负载，这可能会导致工具破裂。

修剪长草草坪

请勿试图一次性修剪较长的草。相反，您需要分阶段修剪草坪。可间隔一天或两天进行修剪，直至草坪高度统一。

注：一次性将较长的草修剪得比较短，可能会导致草枯萎。切割下来的草也可能会堵塞修剪机机身内部。

清空草篮

警告：为降低意外风险，请定期检查草篮是否有损伤或强度减弱。在必要时予以更换。

1. 释放开关柄。
 2. 拔下锁定钥匙。
 3. 抬起后保护罩，握住手柄取出草篮。
- **图片21：** 1. 后保护罩 2. 手柄
4. 清空草篮。

保养和存放

警告：在存放或尝试执行检查或保养前，请务必拔下锁定钥匙并取出电池组。

警告：修剪机不使用时，请拔下锁定钥匙。将锁定钥匙存于儿童接触不到的安全位置。

警告：进行检查和保养操作时，请佩戴手套。

注意：切勿使用汽油、苯、稀释剂、酒精或类似物品清洁工具。否则可能会导致工具变色、变形或出现裂缝。

保养

1. 拔下锁定钥匙。将其存于儿童接触不到的安全位置。
2. 仅使用湿布清洁修剪机。清洁时，请勿喷洒或冲洗修剪机。
3. 侧面放置修剪机，清除聚集在修剪机挡板内部中的缠绕青草。
4. 检查并确保所有螺母、螺栓、旋钮、螺丝和紧固装置等都紧固良好。
5. 检查移动部件是否有损伤、破裂和磨损。已损坏或遗失的部件应进行维修或更换。

存放

警告：搬运或存放修剪机时，请勿抓握折叠的手柄，而是抓握修剪机的前把手。抓握折叠的手柄可能会造成严重的人身伤害或损坏修剪机。

存放修剪机前，请从中取出电池组。请将修剪机存于室内清凉、干燥和加锁的位置。请勿将修剪机和充电器存于温度可能达到或超过40°C (104°F)的场所。

► **图片22：** 1. 前把手 2. 后把手

1. 旋松夹紧螺丝，展开下部手柄至两侧。向前下移手柄。同时，紧握下部手柄，防止手柄滑落到修剪机机身的远端。

► **图片23：** 1. 夹紧螺丝 2. 下部手柄

2. 旋松夹紧螺母，展开两侧的同时向后转动上部手柄。

► **图片24：** 1. 夹紧螺母 2. 上部手柄

3. 将草篮存放在手柄和修剪机机身之间。

► **图片25：** 1. 草篮

注：直立放置修剪机时，请勿抓握手柄，而是抓握修剪机的前把手。

为了保证产品的安全与可靠性，维修、任何其他维修保养或调节需由Makita（牧田）授权的或工厂维修服务中心完成。务必使用Makita（牧田）的替换部件。

故障排除

请求维修前，请首先自行检查。如果您发现本手册中未作说明的问题，请勿拆解工具。而请联络Makita（牧田）授权维修服务中心，务必使用Makita（牧田）的替换部件进行修复。

异常状态	可能原因（故障）	纠正措施
修剪机不启动。	未安装两个电池组。	安装充满电的电池组。
	电池故障（欠压）	请给电池组充电。如果充电无效，则更换电池组。
	未插入锁定钥匙。	插入锁定钥匙。
使用一段时间后电机不旋转。	电池电量低。	请给电池组充电。如果充电无效，则更换电池组。
	切割高度过低。	增加切割高度。
电机未达到最大转速。	电池安装不当。	按本手册所述安装电池组。
	电池电力下降。	请给电池组充电。如果充电无效，则更换电池组。
	驱动系统未正常工作。	请当地授权的维修服务中心进行维修。
修剪机刀片不旋转： ⇒ 立即停止修剪机！	异物（如树枝）夹入刀片旁。	清除异物。
	驱动系统未正常工作。	请当地授权的维修服务中心进行维修。
异常振动： ⇒ 立即停止修剪机！	刀片不平衡，过度或不均匀磨损。	更换刀片。

选购附件

⚠小心： 这些附件或装置专用于本说明书所列的Makita（牧田）工具。如使用其他厂牌附件或装置，可能导致人身伤害。仅可将附件或装置用于规定目的。

如您需要了解更多关于这些选购附件的信息，请咨询当地的Makita（牧田）维修服务中心。

- 修剪机刀片
- Makita（牧田）原装电池和充电器

注： 本列表中的一些部件可能作为标准配件包含于工具包装内。它们可能因销往国家之不同而异。

SPEKIFIKASI

Model:		DLM431	
Lebar pemotong (diameter pisau)		430 mm	
Kecepatan tanpa beban		3.600 min ⁻¹	
Dimensi (P x L x T)	saat dioperasikan	Maks. 1.490 mm x 460 mm x 1.020 mm Min. 1.450 mm x 460 mm x 950 mm	
	saat disimpan (tanpa keranjang rumput)	490 mm x 460 mm x 910 mm	
Tegangan terukur		D.C. 36 V	
Kartrid baterai standar		BL1815N/BL1820/BL1820B	BL1830/BL1830B/BL1840/BL1840B/ BL1850/BL1850B/BL1860B
⚠ Peringatan: Gunakan hanya kartrid baterai yang ditentukan.			
Berat bersih		17,8 kg	18,3 kg

- Karena kami terus melakukan program penelitian dan pengembangan, spesifikasi yang disebutkan di sini mungkin berubah tanpa pemberitahuan.
- Spesifikasi dan kartrid baterai mungkin berbeda antara satu negara dengan negara lainnya.
- Berat, dengan kartrid baterai, menurut Prosedur EPTA 01/2003

Simbol

Berikut ini adalah simbol-simbol yang digunakan pada peralatan ini. Pastikan Anda mengerti makna masing-masing simbol sebelum menggunakan alat.

	Berhati-hatilah dan pusatkan perhatian Anda.
	Baca petunjuk penggunaan.
	Bahaya; hati-hati terhadap objek yang terlempar.
	Jarak antara peralatan dan orang-orang di sekitar harus setidaknya 15 m.
	Jangan letakkan tangan dan kaki Anda di dekat pisau di bawah pemotong rumput. Pisau masih tetap berputar setelah motor dimatikan.
	Lepaskan kunci pengaman sebelum memeriksa, menyesuaikan, membersihkan, memperbaiki, meninggalkan dan menyimpan mesin pemotong rumput.
	Hanya untuk negara-negara UE Jangan membuang peralatan listrik atau paket baterai bersama-sama dengan bahan limbah rumah tangga! Dengan memerhatikan Petunjuk Eropa, tentang Limbah Peralatan Listrik dan Elektronik serta Baterai dan Akumulator serta Limbah Baterai dan Akumulator dan pelaksanaannya sesuai dengan ketentuan hukum nasional, peralatan listrik dan baterai dan paket baterai yang telah habis umur pakainya harus dikumpulkan secara terpisah dan dikembalikan ke fasilitas daur ulang yang kompatibel secara lingkungan.

Penggunaan

Mesin ini digunakan untuk memotong rumput.

PETUNJUK KESELAMATAN PENTING

⚠ PERINGATAN: Bacalah semua peringatan keselamatan dan semua petunjuk. Kelalaian mematuhi peringatan dan petunjuk dapat menyebabkan sengatan listrik, kebakaran dan/atau cedera serius.

Simpanlah semua peringatan dan petunjuk untuk acuan di masa depan.

1. Jangan masukkan kunci pada pemotong sampai siap digunakan.
2. Awasi anak-anak untuk memastikan mereka tidak bermain-main dengan pemotong rumput ini.
3. Jangan biarkan pemotong rumput ini digunakan oleh anak-anak atau orang yang tidak terbiasa menggunakannya. Peraturan setempat mungkin membatasi usia operator.
4. Jangan gunakan pemotong jika ada orang, khususnya anak-anak, atau binatang peliharaan di dekatnya.
5. Selalu ingat bahwa operator atau pengguna bertanggung jawab atas kecelakaan atau bahaya yang terjadi pada orang-orang lain atau propertinya.

6. Saat mengoperasikan pemotong, selalu kenakan alas kaki dan celana panjang yang memadai. Jangan mengoperasikan pemotong rumput tanpa mengenakan alas kaki, atau hanya dengan mengenakan sandal. Hindari memakai pakaian atau perhiasan yang longgar atau yang memiliki gantungan atau ikatan. Bagian-bagian tersebut mungkin saja tersangkut pada komponen mesin yang bergerak.
7. Gunakan mesin pemotong hanya di siang hari atau dalam kondisi cahaya mencukupi.
8. Hindari penggunaan pemotong pada rumput basah.
9. Jangan gunakan pemotong saat hujan.
10. Penggunaan dan pemeliharaan mesin bertengaga baterai
 - Isi ulang baterai hanya dengan pengisi daya yang ditentukan oleh pabrik. Pengisi daya yang cocok untuk suatu jenis kartrid baterai tertentu dapat menimbulkan risiko kebakaran jika digunakan untuk kartrid baterai yang lain.
 - Gunakan mesin listrik hanya dengan kartrid baterai yang telah ditentukan secara khusus.
 - Penggunaan kartrid baterai lain dapat menimbulkan risiko cedera dan kebakaran.
 - Saat tidak digunakan, jauhkan kartrid dari benda-benda logam, misalnya penjepit kertas, koin, kunci, paku, sekrup, atau benda-benda logam kecil lainnya, yang mungkin memicu arus pendek dari satu terminal ke terminal lain. Arus pendek pada terminal baterai dapat mengakibatkan kebakaran atau ledakan.
 - Jika digunakan secara tidak benar, baterai mungkin akan mengeluarkan cairan; hindari kontak dengan cairan ini. Jika terjadi kontak secara tidak sengaja, bilas dengan air. Jika cairan mengenai mata, mintalah bantuan medis. Cairan yang keluar dari baterai dapat menyebabkan iritasi atau luka bakar.
11. Selalu pegang kuat-kuat pada bagian pegangannya.
12. Jagalah kemandirian Anda saat berdiri di area miring.
13. Berjalan, jangan berlari.
14. Saat mengangkat atau memegang pemotong rumput, jangan menggenggam mata pisau pemotong atau tepian pemotong yang terlihat.
15. Kondisi fisik - Jangan mengoperasikan pemotong rumput saat Anda dalam pengaruh obat-obatan terlarang, alkohol, atau obat-obatan lainnya.
16. Jauhkan tangan dan kaki dari mata pisau yang berputar. Perhatian - Pisau masih akan bergerak perlahan setelah sakelar mesin dimatikan.
17. Gunakan hanya mata pisau asli dari pabrik yang ditentukan dalam buku petunjuk ini.
18. Sebelum dioperasikan, periksa mata pisau dengan seksama untuk memastikan tidak ada bagian yang retak atau rusak. Segera ganti mata pisau yang retak atau rusak.
19. Pastikan tidak ada orang lain di sekitar sebelum mulai memotong rumput. Hentikan pemotong apabila ada orang yang masuk ke area kerja.
20. Untuk menghindari cedera perseorangan atau kerusakan pada pemotong, singkirkan benda-benda asing seperti batu, kawat, botol, tulang, dan tongkat besar dari area kerja sebelum mulai memotong rumput.
21. Segera hentikan pengoperasian jika Anda merasa ada yang tidak normal. Matikan pemotong dan cabut kuncinya. Kemudian, periksa pemotong.
22. Jangan mencoba menyesuaikan tinggi roda selama pemotong masih bekerja.
23. Lepaskan tuas sakelar dan tunggu hingga mata pisau berhenti berputar sebelum melintasi area parkir, area pejalan kaki, jalan, dan area-area lain yang tertutup kerikil. Selain itu, cabut kunci jika Anda akan meninggalkan pemotong, mengambil atau menyingkirkan sesuatu di sekitar Anda, atau melakukan hal-hal lain yang dapat mengalihkan perhatian dari pekerjaan Anda.
24. Objek yang terpejal dari mata pisau pemotong dapat menyebabkan cedera berat pada manusia. Rumput harus diperiksa dengan cermat dan dibersihkan dari segala objek setiap kali sebelum mulai memotong.
25. Jika pemotong membentur benda asing, ikuti langkah-langkah berikut:
 - Hentikan pemotong, lepaskan tuas sakelar dan tunggu hingga mata pisau berhenti sepenuhnya.
 - Lepas kunci dan kartrid baterai.
 - Periksa mesin secara menyeluruh untuk memastikan apakah ada bagian yang rusak.
 - Gantilah mata pisau jika rusak. Perbaiki segala kerusakan sebelum kembali menyalakan mesin dan melanjutkan pengoperasian pemotong rumput.
26. Sering-seringlah memeriksa keranjang rumput untuk memastikan tidak ada bagian yang aus atau cacat. Untuk penyimpanan, selalu pastikan keranjang rumput kosong. Untuk menjamin keamanan, ganti keranjang rumput yang aus dengan komponen pengganti dari pabrik.
27. Sangat berhati-hatilah saat memundurkan atau menarik pemotong ke arah Anda.
28. Hentikan pisau(-pisau) jika pemotong harus digerakkan dengan cara dimiringkan saat melintasi permukaan selain rumput, serta saat Anda memindahkan pemotong ke dan dari area kerja.
29. Jangan pernah mengoperasikan pemotong dengan mengenakan pengaman atau pelindung yang cacat, atau tanpa memasang perangkat pengaman, misalnya deflektor dan/atau keranjang rumput.
30. Nyalakan pemotong perlahan sesuai instruksi, dan jaga jarak kaki Anda dari mata pisau (-pisau).

31. Jangan memiringkan pemotong saat menyalakan motornya, kecuali jika pemotong harus dimiringkan saat dinyalakan. Dalam hal ini, jangan memiringkan pemotong secara berlebihan, dan angkatlah hanya bagian yang semestinya, yaitu yang berjauhan dengan operator.
32. Jangan menyalakan pemotong saat Anda berdiri di depan lubang pembuangan.
33. Jangan letakkan tangan atau kaki di dekat atau di bawah bagian yang berputar. Selalu jaga jarak dari lubang pembuangan.
34. Jangan memindahkan pemotong selama masih dalam kondisi menyala.
35. Hentikan pemotong, dan lepaskan perangkat penonaktifan. Pastikan seluruh bagian yang bergerak telah benar-benar berhenti.
 - saat Anda meninggalkan pemotong,
 - sebelum membersihkan sumbatan atau saat membersihkan saluran yang tersumbat
 - sebelum memeriksa, membersihkan atau menggunakan pemotong,
 - setelah pemotong membentur benda asing. Periksa apakah ada kerusakan pada pemotong, dan lakukan perbaikan sebelum kembali menyalakan dan mengoperasikannya.
36. Jika pemotong tiba-tiba bergetar secara tidak biasa (segera periksa)
 - periksa apakah ada kerusakan,
 - ganti atau perbaiki semua komponen yang rusak,
 - periksa dan kencangkan semua komponen yang kendur.
37. Berhati-hatilah saat menyesuaikan pengaturan pemotong agar jari-jemari Anda tidak tersangkut di antara mata pisau yang bergerak dan bagian tidak bergerak pada pemotong.
38. Untuk area miring, lakukan pemotongan melintasi permukaan bagian miringnya, bukan naik dan turun. Perhatikan pada saat mengubah arah di area miring. Jangan memotong secara berlebihan di area miring yang curam.
39. Jangan mencuci pemotong dengan selang; jangan sampai ada air yang masuk ke dalam motor atau sambungan listrik.
40. Periksa baut mata pisau secara berkala dan sering untuk memastikan kekencangannya.
41. Kencangkan semua mur, baut, dan sekrup pengencang untuk memastikan bahwa mesin aman untuk digunakan.
42. Selalu biarkan pemotong mendingin sebelum disimpan.
43. Saat memperbaiki mata pisau, perhatikan bahwa walaupun sakelar mesin telah dimatikan, mata pisau masih tetap dapat bergerak.
44. Ganti bagian yang aus atau rusak untuk menjamin keamanan. Gunakan hanya komponen dan aksesoris pengganti yang asli.

SIMPAN PETUNJUK INI.

⚠️PERINGATAN: JANGAN biarkan kenyamanan atau terbiasanya Anda dengan produk (karena penggunaan berulang) mengurangi kepatuhan yang ketat terhadap aturan keselamatan untuk produk yang terkait.

PENYALAHGUNAAAN atau kelalaian mematuhi kaidah keselamatan yang tertera dalam petunjuk ini dapat menyebabkan cedera badan serius.

Petunjuk keselamatan penting untuk kartrid baterai

1. Sebelum menggunakan kartrid baterai, bacalah semua petunjuk dan penandaan pada (1) pengisi daya baterai, (2) baterai, dan (3) produk yang menggunakan baterai.
2. Jangan membongkar kartrid baterai.
3. Jika waktu beroperasinya menjadi sangat singkat, segera hentikan penggunaan. Hal tersebut dapat menimbulkan risiko panas berlebih, kemungkinan mengalami luka bakar atau bahkan terjadi ledakan.
4. Jika elektrolit mengenai mata Anda, basuh dengan air bersih dan segera cari pertolongan medis. Hal tersebut dapat mengakibatkan hilangnya kemampuan penglihatan Anda.
5. Jangan menghubungkan terminal kartrid baterai:
 - (1) Jangan menyentuh terminal dengan bahan penghantar listrik apa pun.
 - (2) Hindari menyimpan kartrid baterai pada wadah yang berisi benda logam lain seperti paku, uang logam, dsb.
 - (3) Jangan membiarkan baterai terkena air atau kehujanan.

Hubungan singkat baterai dapat menyebabkan aliran arus listrik yang besar, panas berlebih, kemungkinan mengalami luka bakar dan bahkan kerusakan pada baterai.
6. Jangan menyimpan mesin dan kartrid baterai pada lokasi dengan suhu yang bisa mencapai atau melebihi 50 °C.
7. Jangan membuang kartrid baterai di tempat pembakaran sampah walaupun benar-benar rusak atau tidak bisa digunakan sama sekali. Kartrid baterai bisa meledak jika terbakar.
8. Berhati-hatilah jangan sampai baterai jatuh atau terbentur.
9. Jangan menggunakan baterai yang rusak.
10. **Baterai litium-ion yang disertakan sesuai dengan persyaratan Perundangan Makanan Berbahaya.**

Harus ada pengawasan untuk pengangkutan komersial misalnya oleh pihak ketiga, ekspeditor, persyaratan khusus terhadap pengemasan dan pelabelan.

Diperlukan adanya konsultasi dengan ahli mengenai material berbahaya untuk persiapan barang yang akan dikirimkan. Perhatikan pula peraturan nasional yang lebih terperinci yang mungkin ada.

Beri perekat atau tutupi bagian yang terbuka dan kemasi baterai dengan cara yang tidak akan menimbulkan pergeseran dalam pengemasan.

11. Ketika membuang kartrid baterai, lepaskan dari mesin dan buang ke tempat yang aman. Patuhi peraturan setempat yang berkaitan dengan pembuangan baterai.
12. Gunakan baterai hanya dengan produk yang ditentukan oleh Makita. Memasang baterai pada produk yang tidak sesuai dapat menyebabkan kebakaran, kelebihan panas, ledakan, atau kebocoran elektrolit.
13. Jika mesin tidak digunakan dalam jangka waktu yang lama, baterai harus dilepas dari mesin.

SIMPAN PETUNJUK INI.

⚠️ PERHATIAN: Gunakan baterai asli Makita. Penggunaan baterai Makita yang tidak asli, atau baterai yang sudah diubah, akan mengakibatkan baterai mudah terbakar, cedera dan kerusakan. Akan menghilangkan garansi Makita pada pengisi daya dan alat Makita.

Tip untuk menjaga agar umur pemakaian baterai maksimum

1. Isi ulang kartrid baterai sebelum habis sama sekali. Selalu hentikan penggunaan mesin dan ganti kartrid baterai jika Anda melihat bahwa mesin kurang tenaga.
2. Jangan pernah mengisi ulang kartrid baterai yang sudah diisi penuh. Pengisian ulang yang berlebih memperpendek umur pemakaian baterai.
3. Isi ulang kartrid baterai pada suhu ruangan 10 °C - 40 °C. Biarkan kartrid baterai yang panas menjadi dingin terlebih dahulu sebelum diisi ulang.
4. Isi ulang daya kartrid baterai jika Anda tidak menggunakannya untuk jangka waktu yang lama (lebih dari enam bulan).

DESKRIPSI FUNGSI

Memasang atau melepas baterai

⚠️ PERHATIAN: Selalu matikan mesin sebelum memasang atau melepas kartrid baterai.

⚠️ PERHATIAN: Pastikan Anda telah mengunci penutup baterai sebelum menggunakan mesin. Jika tidak, kartrid baterai mungkin saja rusak akibat lumpur, kotoran, atau air.

⚠️ PERHATIAN: Selalu pasang kartrid baterai sampai indikator berwarna merah tidak terlihat. Jika tidak, kartrid baterai dapat terlepas dari mesin secara tidak sengaja, menyebabkan cedera pada Anda atau orang di sekitar Anda.

⚠️ PERHATIAN: Jangan memasang kartrid baterai secara paksa. Jika kartrid tidak dapat didorong masuk dengan mudah, berarti cara pemasangannya salah.

CATATAN: Mesin tidak akan bekerja dengan hanya satu kartrid baterai.

Untuk memasang kartrid baterai;

1. Geser tuas pengunci kotak baterai dan buka kotak baterai.

► **Gbr.1:** 1. Kotak baterai 2. Tuas pengunci kotak baterai

2. Sesuaikan lidah pada kartrid baterai dengan celah pada pemotong, kemudian dorong baterai hingga terpasang di tempatnya dan berbunyi klik pelan. Jika Anda masih melihat indikator merah di bagian atas tombol, berarti kartrid baterai belum terkunci sepenuhnya.

► **Gbr.2:** 1. Kartrid baterai

3. Masukkan kunci pengaman sedalam mungkin ke tempat yang ditunjukkan pada gambar.

► **Gbr.3:** 1. Kunci pengaman

4. Tutuplah kotak baterai dan dorong hingga terkunci oleh tuas pengunci.

Untuk melepas kartrid baterai dari pemotong;

1. Geser tuas pengunci kotak baterai dan buka kotak baterai.

2. Tarik kartrid baterai dari pemotong sambil menggeser tombol di bagian depan kartrid.

3. Tarik kunci pengaman.

4. Tutup kotak baterai.

Sistem perlindungan mesin / baterai

Mesin ini dilengkapi dengan sistem perlindungan mesin/ baterai. Sistem ini memutus daya ke motor secara otomatis untuk memperpanjang umur pemakaian mesin dan baterai. Mesin akan berhenti secara otomatis saat penggunaan jika mesin atau baterai berada dalam salah satu kondisi berikut ini. Dalam kondisi yang sama, indikator akan menyala.

Perlindungan kelebihan beban

Bila mesin dijalankan dengan cara yang menyebabkannya menarik arus tinggi yang tidak normal, mesin akan berhenti secara otomatis tanpa menunjukkan apa-apa. Untuk situasi ini, matikan mesin dan hentikan pekerjaan yang menyebabkan mesin mengalami kelebihan beban. Kemudian nyalakan mesin untuk memulai lagi pekerjaan.

Perlindungan panas berlebih

Bila peralatan mengalami kelebihan panas, mesin akan berhenti secara otomatis. Biarkan mesin menjadi dingin sebelum dinyalakan kembali.




Perlindungan pengisian daya berlebih

Ketika kapasitas baterai melemah, mesin akan berhenti secara otomatis. Jika produk tidak beroperasi bahkan ketika sakelar digunakan, lepaskan baterai dari mesin dan isi daya baterai.

Mengindikasikan kapasitas baterai yang tersisa

► **Gbr.4:** 1. Indikator baterai 2. Tombol pemeriksaan

Tekan tombol pemeriksaan untuk melihat kapasitas baterai yang tersisa. Indikator baterai berhubungan dengan setiap baterai.






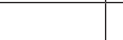









Status indikator baterai		Kapasitas baterai yang tersisa
Menyala	Mati	
		50% - 100%
		20% - 50%
		0% - 20%

Mengindikasikan kapasitas baterai yang tersisa

Hanya untuk kartrid baterai dengan indikator

► **Gbr.5:** 1. Lampu indikator 2. Tombol pemeriksaan

Tekan tombol pemeriksaan pada kartrid baterai untuk melihat kapasitas baterai yang tersisa. Lampu indikator menyala selama beberapa detik.

Lampu indikator			Kapasitas yang tersisa
Menyala	Mati	Berkedip	
			75% hingga 100%
			50% hingga 75%
			25% hingga 50%
			0% hingga 25%
			Isi ulang baterai.
			Baterai mungkin sudah rusak.
			
			

CATATAN: Tergantung kondisi penggunaan dan suhu lingkungannya, penunjukkan mungkin saja sedikit berbeda dari kapasitas sebenarnya.

Kerja sakelar

PERINGATAN: Sebelum memasang kartrid baterai, selalu pastikan bahwa tuas sakelar bergerak sebagaimana mestinya dan kembali ke posisi awalnya saat dilepaskan. Penggunaan mesin dengan sakelar yang tidak berfungsi dengan baik dapat menyebabkan kehilangan kontrol dan cedera serius.

CATATAN: Pemotong tidak dapat dioperasikan jika tombol sakelarnya tidak ditekan, bahkan walaupun tuas sakelarnya telah ditarik.

CATATAN: Saat memotong rumput panjang atau rapat, pemotong mungkin tidak dapat dioperasikan karena kelebihan beban. Jika demikian, naikan ketinggian pemotongan.

Pemotong ini dilengkapi dengan sakelar pengunci dan sakelar pegangan. Jika Anda merasa ada yang tidak biasa pada salah satu sakelar tersebut, segera hentikan pengoperasian dan mintalah agar sakelar tersebut diperiksa oleh Pusat Servis Resmi Makita terdekat.

1. Pasang kartrid baterai. Masukkan kunci pengaman ke dalam sakelar pengunci, kemudian tutuplah kotak baterai.

► **Gbr.6:** 1. Kartrid baterai 2. Kunci pengaman

2. Tekan tombol sakelar dan tahan.

3. Pegang genggamannya bagian atas dan tarik tuas sakelarnya.

► **Gbr.7:** 1. Tombol sakelar 2. Tuas sakelar

4. Lepaskan tombol sakelar setelah motor mulai menyala. Pemotong akan terus bekerja hingga Anda melepaskan tuas sakelarnya.

5. Lepaskan tuas sakelar untuk menghentikan motor.

Menyesuaikan ketinggian pemotongan

PERINGATAN: Jangan letakkan kaki atau tangan Anda di bawah badan pemotong saat menyesuaikan ketinggian pemotongan.

PERINGATAN: Selalu pastikan bahwa tuas sudah terpasang aman dalam lubang sebelum mulai mengoperasikan pemotong.

Ketinggian pemotongan dapat disesuaikan antara 20 mm - 75 mm.

1. Lepas kunci pengaman.

2. Tarik tuas pengatur ketinggian pemotongan ke arah luar badan pemotong, kemudian arahkan ke ketinggian pemotongan yang Anda inginkan.

► **Gbr.8:** 1. Tuas pengatur ketinggian pemotongan

CATATAN: Gambar ketinggian pemotongan harus digunakan sebagai panduan saja. Tergantung pada kondisi rumput atau tanah, ketinggian rumput yang sebenarnya mungkin saja sedikit berbeda dari ketinggian yang disetel.

CATATAN: Lakukan percobaan dengan memotong rumput di tempat yang aman untuk menentukan ketinggian yang sesuai.

Indikator level rumput

► **Gbr.9:** 1. Indikator level rumput

Indikator level rumput menunjukkan volume rumput yang dipotong.

- Saat keranjang rumput tidak penuh, indikator ini akan mengambang selama pemotongan.
- Saat keranjang rumput penuh, indikator ini tidak mengambang selama pemotongan. Jika demikian, segera hentikan pemotongan dan kosongkan keranjang. Setelah dikosongkan, bersihkan keranjang agar penyaringnya dapat mengalirkan udara.

CATATAN: Indikator ini merupakan panduan kasar. Tergantung pada kondisi dalam keranjang, indikator ini mungkin tidak bekerja secara tepat.

PERAKITAN

⚠PERINGATAN: Selalu pastikan bahwa kunci pengaman dan kartrid telah dilepas sebelum melakukan apa pun terhadap pemotong. Kelalaian untuk melepas kunci pengaman dan kartrid baterai dapat mengakibatkan cedera perseorangan berat karena mesin mungkin saja dinyalakan secara tidak sengaja.

⚠PERINGATAN: Jangan nyalakan pemotong kecuali rangkaiannya telah terpasang sepenuhnya. Mesin yang dioperasikan dalam kondisi hanya terangkai sebagian dapat mengakibatkan cedera badan yang serius akibat penyalakan yang tidak disengaja.

Memasang kotak baterai

⚠PERINGATAN: Jangan masukkan kunci pengaman dan kartrid baterai sebelum memasang kotak baterai. Kelalaian untuk melakukan hal ini dapat mengakibatkan cedera berat.

Pasang kotak baterai sepenuhnya sebelum mengoperasikan mesin. Kotak baterai melindungi pemotong dan kartrid baterai dari lumpur, kotoran, dan air.

1. Pasang kotak baterai dengan menyelaraskan bagian tonjolan pada pemotong dengan lubang-lubang pada kotak baterai.
► **Gbr.10:** 1. Tonjolan 2. Lubang 3. Kotak baterai
2. Letakkan tangan Anda di tengah kotak baterai, kemudian tekan.
► **Gbr.11**

3. Sebelum pengoperasian pertama, pastikan titik putar pada kotak baterai telah terpasang sebagaimana mestinya. Jika kotak baterai dipasang dengan tidak benar, maka kotak ini tidak akan terbuka hingga tuas pengunci kotak baterainya ditarik.

► **Gbr.12:** 1. Titik putar 2. Tuas pengunci kotak baterai

Memasang pegangan

PEMBERITAHUAN: Saat memasang pegangan, posisikan semua kabel sedemikian rupa agar tidak tersangkut apa pun di antara pegangan. Jika kabel rusak, sakelar pemotong mungkin tidak berfungsi.

1. Geser kedua ujung pegangan bagian bawah ke dalam celah pada pemotong, kemudian kencangkan sekrup penjepitnya.

► **Gbr.13:** 1. Sekrup penjepit 2. Pegangan bagian bawah

2. Atur lubang sekrup pegangan bagian atas dan pegangan bagian bawah. Kencangkan dengan sekrup dan mur penjepit.

► **Gbr.14:** 1. Mur penjepit 2. Sekrup penjepit

CATATAN: Tahan pegangan bagian atas kuat-kuat agar tidak tergelincir dari tangan Anda.

3. Pasang penahan ke pegangan. Posisikan kabel daya sebagaimana ditunjukkan dalam gambar.

► **Gbr.15:** 1. Penahan

Melepas atau memasang pisau pemotong

⚠PERINGATAN: Selalu lepaskan kunci pengaman dan kartrid baterai saat melepas atau memasang pisau pemotong. Kelalaian untuk melepas kunci pengaman dan kartrid baterai dapat mengakibatkan cedera berat.

⚠PERINGATAN: Pisau pemotong akan bergerak perlahan selama beberapa detik setelah sakelar dilepas. Jangan mengoperasikan apa pun hingga pisau pemotong benar-benar telah berhenti.

⚠PERINGATAN: Selalu kenakan sarung tangan saat menangani pisau.

Untuk melepas mata pisau pemotong, lakukan langkah-langkah berikut ini.

1. Letakkan pisau pemotong secara menyamping hingga tuas pengatur ketinggian pemotongan bergerak ke bagian atas.
2. Untuk mengunci putaran pisau, masukkan obeng atau alat lain yang serupa ke dalam lubang di bagian dasar pisau.
3. Putar baut berlawanan arah jarum jam dengan kunci pas.
► **Gbr.16:** 1. Pisau pemotong 2. Obeng 3. Kunci pas

4. Lepas sekrup, penampang bagian luar, pisau pemotong, dan penampang bagian dalam secara berurutan.

- **Gbr.17:** 1. Penampang bagian dalam 2. Panah arah putaran 3. Penampang bagian luar 4. Baut 5. Pisau pemotong

Untuk memasang mata pisau pemotong, lakukan prosedur pelepasan dalam urutan terbalik.

⚠ PERINGATAN: Pasang pisau dengan hati-hati. Pisau ini memiliki sisi tajam atas/bawah. Pasang pisau sedemikian rupa hingga panah arah putaran menghadap ke luar.

⚠ PERINGATAN: Kencangkan sekrup searah jarum jam untuk mengencangkan pisau.

⚠ PERINGATAN: Pastikan pisau dan semua komponen pemasangannya telah terpasang dan dikencangkan dengan benar.

⚠ PERINGATAN: Saat mengganti pisau, selalu ikuti instruksi yang ada dalam buku petunjuk ini.

Memasang keranjang rumput

1. Lepas kunci pengaman.
2. Angkat pelindung belakang badan pemotong.
► **Gbr.18**
3. Kaitkan keranjang rumput pada celah di badan pemotong sebagaimana ditunjukkan dalam gambar.
► **Gbr.19:** 1. Kait 2. Celah 3. Keranjang rumput

PENGUNAAN

Pemotongan

⚠ PERINGATAN: Sebelum memotong, bersihkan semua batang dan batu dari area pemotongan. Selain itu, bersihkan terlebih dahulu semua semak dari area pemotongan.

⚠ PERINGATAN: Selalu kenakan kaca mata pelindung atau kaca mata pengaman dengan pelindung samping saat mengoperasikan pemotong.

- **Gbr.20**

Saat memotong, genggam pegangan pemotong rumput kencang-kencang dengan kedua tangan Anda.

Tepi bagian luar roda depan adalah pemandu untuk lebar pemotongan. Dengan mengacu pada tepi bagian luar kedua roda depan sebagai panduan, potonglah rumput secara berlajur, diikuti dengan setengah hingga sepertiga bagian dari lajur potongan sebelumnya, agar rumput terpotong secara merata.

Periksa isi keranjang rumput secara rutin. Buang potongan rumput sebelum keranjang penuh. Sebelum pemeriksaan rutin, pastikan Anda telah mematikan pemotong, melepas kunci pengaman dan kartrid baterai.

CATATAN: Pengoperasian pemotong dengan keranjang rumput dalam kondisi penuh akan menghambat laju putaran pisau dan mengakibatkan beban lebih besar pada motor, yang dapat menyebabkan mesin macet.

Memotong rumput tinggi

Jangan mencoba memotong rumput tinggi sekaligus. Sebaliknya, potonglah rumput secara bertahap. Beri jeda satu atau dua hari antar pemotongan hingga rumput terpotong pendek secara merata.

CATATAN: Memotong rumput tinggi sekaligus hingga langsung menjadi pendek dapat mengakibatkan rumput mati. Potongan rumput juga mungkin menggumpal di dalam badan pemotong.

Mengosongkan keranjang rumput

⚠ PERINGATAN: Untuk mengurangi risiko kecelakaan, periksalah keranjang rumput secara rutin untuk memastikan tidak ada kerusakan atau penurunan kekuatan. Ganti keranjang rumput jika perlu.

1. Lepas tuas sakelar.
2. Lepas kunci pengaman.
3. Angkat pelindung belakang dan keluarkan keranjang rumput dengan mengenggam pegangannya.
► **Gbr.21:** 1. Pelindung belakang 2. Pegangan
4. Kosongkan keranjang rumput.

PEMELIHARAAN & PENYIMPANAN

⚠ PERINGATAN: Selalu pastikan kunci pengaman dan kartrid baterai telah dilepas dari pemotong sebelum menyimpan atau melakukan pemeriksaan atau pemeliharaan.

⚠ PERINGATAN: Selalu lepas kunci pengaman saat pemotong tidak digunakan. Simpan kunci pengaman di tempat yang aman dari jangkauan anak-anak.

⚠ PERINGATAN: Gunakan sarung tangan saat melakukan pemeriksaan atau pemeliharaan.

PEMBERITAHUAN: Jangan sekali-kali menggunakan bensin, tiner, alkohol, atau bahan sejenisnya. Penggunaan bahan demikian dapat menyebabkan perubahan warna, perubahan bentuk atau timbulnya retakan.

PEMELIHARAAN

1. Lepas kunci pengaman. Simpan di tempat yang aman dari jangkauan anak-anak.
2. Bersihkan pemotong hanya menggunakan kain basah saja. Saat membersihkan, jangan menyemprotkan atau menuangkan air ke pemotong.
3. Letakkan pemotong secara menyamping dan bersihkan potongan rumput yang menumpuk di sisi bawah penampang pemotong.
4. Periksa dan pastikan kekencangan semua mur, baut, kenop, sekrup, pengencang, dsb.
5. Periksa apakah ada bagian bergerak yang rusak, retak, atau aus. Bagian yang rusak atau hilang harus diperbaiki atau diganti.

Penyimpanan

⚠️ PERINGATAN: Saat membawa atau menyimpan mesin pemotong, jangan memegang pegangan yang terlipat, tetapi peganglah bagian gagang depan pemotong. Memegang pegangan yang terlipat dapat mengakibatkan cedera serius atau kerusakan pada pemotong.

Sebelum menyimpan pemotong, lepas kartrid baterai. Simpan pemotong di tempat yang sejuk, kering dan terkunci. Jangan menyimpan pemotong dan kartrid baterai di tempat bersuhu 40 °C (104 °F) atau lebih.

- **Gbr.22:** 1. Gagang depan 2. Gagang belakang
1. Kendorkan sekrup penjepit dan jururkan pegangan bawahnya ke kedua sisi. Turunkan pegangan depan. Pada saat ini, genggam pegangan bawah kuat-kuat agar pegangan tidak jatuh ke bagian yang jauh dari badan pemotong.
► **Gbr.23:** 1. Sekrup penjepit 2. Pegangan bagian bawah
 2. Kendorkan baut penjepit dan putar kembali pegangan atas sambil menjulurkan kedua sisinya.
► **Gbr.24:** 1. Mur penjepit 2. Pegangan bagian atas
 3. Simpan keranjang rumput di antara pegangan dan badan pemotong.
► **Gbr.25:** 1. Keranjang rumput

CATATAN: Saat meletakkan pemotong pada posisi berdiri tegak, jangan memegang pegangannya, tetapi genggamlah bagian gagang depan pemotong.

Untuk menjaga KEAMANAN dan KEANDALAN mesin, perbaikan, perawatan atau penyetelan lainnya harus dilakukan oleh Pusat Layanan Resmi atau Pabrik Makita; selalu gunakan suku cadang pengganti buatan Makita.

PEMECAHAN MASALAH

Sebelum meminta perbaikan, lakukan pemeriksaan mandiri terlebih dahulu. Jika Anda menemukan masalah yang tidak dijelaskan dalam buku petunjuk ini, jangan coba membongkar mesin. Sebaliknya, hubungi Pusat Servis Resmi Makita, dan selalu gunakan suku cadang pengganti Makita untuk perbaikan.

Keadaan Tidak Normal	Kemungkinan penyebab (kerusakan fungsi)	Perbaiki
Pemotong tidak menyala.	Dua kartrid baterai tidak dipasang.	Pasang kartrid baterai yang telah terisi daya.
	Masalah baterai (kekurangan tegangan)	Isi ulang daya kartrid baterai. Jika pengisian ulang daya tidak berhasil, gantilah kartrid baterai.
	Kunci pengaman tidak dimasukkan.	Masukkan kunci pengaman.
Motor berhenti setelah digunakan sebentar.	Daya baterai rendah.	Isi ulang daya kartrid baterai. Jika pengisian ulang daya tidak berhasil, gantilah kartrid baterai.
	Ketinggian pemotongan terlalu rendah.	Tingkatkan ketinggian pemotongan.
Motor tidak mencapai RPM maksimum.	Kartrid baterai dipasang secara tidak tepat.	Pasang kartrid baterai sebagaimana diuraikan dalam buku petunjuk ini.
	Daya baterai menurun.	Isi ulang daya kartrid baterai. Jika pengisian ulang daya tidak berhasil, gantilah kartrid baterai.
	Sistem penggerak tidak bekerja secara benar.	Mintalah pusat servis resmi setempat untuk melakukan perbaikan.
Pisau pemotongan tidak berputar: ⇒ segera hentikan pemotong!	Objek asing seperti cabang terjepit di dekat pisau pemotong.	Singkirkan objek asing tersebut.
	Sistem penggerak tidak bekerja secara benar.	Mintalah pusat servis resmi setempat untuk melakukan perbaikan.
Getaran tidak normal: ⇒ segera hentikan pemotong!	Posisi pisau tidak seimbang, terlalu aus atau mengalami keausan tidak merata.	Ganti pisau.

AKSESORI PILIHAN

⚠️ PERHATIAN: Dianjurkan untuk menggunakan aksesori atau perangkat tambahan ini dengan mesin Makita Anda yang ditentukan dalam petunjuk ini. Penggunaan aksesori atau perangkat tambahan lain bisa menyebabkan risiko cedera pada manusia. Hanya gunakan aksesori atau perangkat tambahan sesuai dengan peruntukannya.

Jika Anda memerlukan bantuan lebih rinci berkenaan dengan aksesori ini, tanyakan pada Pusat Layanan Makita terdekat.

- Pisau pemotong
- Baterai dan pengisi daya asli Makita

CATATAN: Beberapa item dalam daftar tersebut mungkin sudah termasuk dalam paket mesin sebagai aksesori standar. Hal tersebut dapat berbeda dari satu negara ke negara lainnya.

THÔNG SỐ KỸ THUẬT

Kiểu máy:		DLM431	
Chiều rộng cắt cỏ (đường kính lưỡi cắt)		430 mm	
Tốc độ không tải		3.600 min ⁻¹	
Kích thước (Dài x Rộng x Cao)	trong quá trình vận hành	Tối đa 1.490 mm x 460 mm x 1.020 mm Tối thiểu 1.450 mm x 460 mm x 950 mm	
	khí cất giữ (không có giỏ đựng cỏ)	490 mm x 460 mm x 910 mm	
Điện áp định mức		36 V một chiều	
Hộp pin tiêu chuẩn ⚠ Cảnh báo: Chỉ sử dụng hộp pin như được mô tả.		BL1815N/BL1820/BL1820B	BL1830/BL1830B/BL1840/BL1840B/ BL1850/BL1850B/BL1860B
Khối lượng tịnh		17,8 kg	18,3 kg

- Do chương trình nghiên cứu và phát triển liên tục của chúng tôi nên các thông số kỹ thuật trong đây có thể thay đổi mà không cần thông báo trước.
- Các thông số kỹ thuật và hộp pin có thể thay đổi tùy theo từng quốc gia.
- Khối lượng kèm theo hộp pin theo Quy trình EPTA 01/2003

Ký hiệu

Phần dưới đây cho biết các ký hiệu được dùng cho thiết bị. Đảm bảo rằng bạn hiểu rõ ý nghĩa của các ký hiệu này trước khi sử dụng.

	Hãy cẩn thận và đặc biệt chú ý.
	Đọc tài liệu hướng dẫn.
	Nguy hiểm; chú ý các đối tượng bị ném.
	Khoảng cách giữa dụng cụ và người xung quanh ít nhất phải là 15 m.
	Không bao giờ để tay hoặc chân của bạn gần lưỡi cắt bên dưới xe cắt cỏ. Lưỡi cắt sẽ tiếp tục quay sau khi tắt động cơ.
	Rút chìa khóa trước khi kiểm tra, điều chỉnh, vệ sinh, bảo dưỡng, cho máy nghỉ và cất giữ xe cắt cỏ.
	Chỉ dành cho các quốc gia EU Không tháo bỏ thiết bị điện hoặc bộ pin cùng với các chất thải sinh hoạt! Để tuân thủ các Chỉ thị của Châu Âu về thiết bị điện và điện tử thải bỏ, và về pin và ắc quy và pin và ắc quy thải bỏ, và thi hành những chỉ thị này phù hợp với luật lệ quốc gia, các thiết bị điện tử và pin và (các) bộ pin không còn sử dụng được nữa phải được thu nhặt riêng và đưa trở lại một cơ sở tái chế tương thích với môi trường.

Mục đích sử dụng

Máy này được dùng để cắt cỏ.

CÁC HƯỚNG DẪN AN TOÀN QUAN TRỌNG

⚠ CẢNH BÁO: Đọc tất cả các cảnh báo an toàn và tất cả hướng dẫn. Việc không tuân theo các cảnh báo và hướng dẫn có thể dẫn đến điện giật, hỏa hoạn và/hoặc thương tích nghiêm trọng.

Lưu giữ tất cả cảnh báo và hướng dẫn để tham khảo sau này.

1. Không được tra chìa khóa vào xe cắt cỏ cho đến khi xe sẵn sàng để sử dụng.
2. Trẻ em cần được giám sát để đảm bảo rằng chúng sẽ không nghịch xe cắt cỏ.
3. Không bao giờ cho phép trẻ em hoặc những người không có hiểu biết về các hướng dẫn này sử dụng xe cắt cỏ. Các quy định của địa phương có thể hạn chế độ tuổi của người vận hành.
4. Không bao giờ vận hành xe cắt cỏ này khi có người, đặc biệt là trẻ em hoặc thú cưng ở gần.
5. Hãy nhớ rằng người vận hành hoặc người sử dụng phải chịu trách nhiệm về tai nạn hoặc nguy hiểm xảy ra cho người khác hoặc tài sản của họ.
6. Trong khi vận hành xe cắt cỏ, luôn mang giày đủ tiêu chuẩn và quần dài. Không vận hành xe cắt cỏ khi chân trần hoặc mang dép không cài quai. Tránh mặc quần áo rộng hoặc đeo trang sức lỏng lẻo hoặc những vật có dây treo hoặc nút buộc. Chúng có thể bị mắc kẹt vào các bộ phận di chuyển.
7. Chỉ vận hành xe cắt cỏ vào ban ngày hoặc trong điều kiện ánh sáng nhân tạo tốt.
8. Tránh vận hành xe cắt cỏ trên cơ ướt.

9. Không bao giờ vận hành xe cắt cỏ trong trời mưa.
10. Sử dụng và bảo quản dụng cụ dùng pin
 - Chỉ sạc pin lại với bộ sạc do nhà sản xuất quy định. Bộ sạc phù hợp với một loại hộp pin này có thể gây ra nguy cơ hỏa hoạn khi được dùng cho một hộp pin khác.
 - Chỉ sử dụng các dụng cụ máy với các hộp pin được quy định cụ thể. Việc sử dụng bất cứ hộp pin nào khác có thể gây ra thương tích và hỏa hoạn.
 - Khi không sử dụng hộp pin, hãy giữ tránh xa các đồ vật khác bằng kim loại, chẳng hạn như kẹp giấy, tiền xu, chìa khóa, đinh, ốc vít hoặc các vật nhỏ bằng kim loại mà có thể làm nối tất các đầu cực pin. Các đầu cực pin bị đoản mạch có thể gây cháy hoặc hỏa hoạn.
 - Trong điều kiện sử dụng quá mức, pin có thể bị chảy nước; hãy tránh tiếp xúc. Nếu vô tình tiếp xúc với pin bị chảy nước, hãy rửa sạch bằng nước. Nếu dung dịch từ pin tiếp xúc với mắt, cần đi khám bác sĩ thêm. Dung dịch chảy ra từ pin có thể gây rát da hoặc bỏng.
11. Luôn cầm chặt tay nắm.
12. Luôn đảm bảo chỗ để chân nằm trên mặt nghiêng.
13. Chỉ đi bộ, không được chạy.
14. Không cầm nắm lưới cắt lẹ ra hoặc cạnh lưới cắt khi nhấc lên hoặc cầm xe cắt cỏ.
15. Điều kiện thể chất - Không vận hành xe cắt cỏ khi đang chịu ảnh hưởng của ma túy, rượu hoặc bất kỳ loại thuốc nào.
16. Giữ tay và chân tránh xa lưới cắt đang quay. Cân trọng - Lưới cắt chạy theo đà quán tính sau khi tắt xe cắt cỏ.
17. Chỉ sử dụng các lưới cắt chính hãng của nhà sản xuất được quy định trong sách hướng dẫn này.
18. Kiểm tra các lưới cắt thật cẩn thận xem có nứt hoặc hư hỏng gì không trước khi vận hành. Thay thế các lưới cắt bị nứt hoặc hư hỏng ngay lập tức.
19. Đảm bảo khu vực cắt không có người khác trước khi cắt. Ngừng xe cắt cỏ nếu có bất kỳ ai đi vào khu vực cắt cỏ.
20. Loại bỏ các ngoại vật như đá, dây điện, chai lọ, xương và các cành cây lớn khỏi khu vực làm việc trước khi cắt để tránh thương tích cá nhân hoặc làm hỏng xe cắt cỏ.
21. Ngừng vận hành ngay lập tức nếu bạn nhận thấy bất cứ điều gì khác thường. Tắt xe cắt cỏ và rút chìa khóa. Sau đó kiểm tra xe cắt cỏ.
22. Không được cố thực hiện điều chỉnh chiều cao đĩa mài trong khi xe cắt cỏ đang chạy.
23. Nhà cần công tắc và đọi vòng quay lưới cắt dừng lại trước khi băng qua lối đi, đường đi, con đường, và bất kỳ khu vực rải sỏi nào. Cũng phải rút chìa khóa ra nếu bạn rời khỏi xe cắt cỏ, tiếp cận để nhấc hoặc lấy thứ gì đó ra khỏi đường đi của bạn, hoặc vì lý do nào khác có thể làm bạn xao lãng khỏi những gì bạn đang làm.
24. Các vật do lưới cắt cỏ cắt văng ra có thể gây thương tích nghiêm trọng cho con người. Bãi cỏ luôn cần được kiểm tra cẩn thận và dọn sạch tất cả các đồ vật trước mỗi lần cắt cỏ.
25. Nếu xe cắt cỏ va phải ngoại vật, làm theo các bước sau:
 - Ngừng xe cắt cỏ, nhà cần công tắc và chờ đến khi lưới cắt dừng hoàn toàn.
 - Rút chìa khóa và tháo hộp pin.
 - Kiểm tra cẩn thận mọi hư hỏng của xe cắt cỏ.
 - Thay thế lưới cắt nếu bị hư hỏng dưới bất kỳ hình thức nào. Sửa chữa mọi hư hỏng trước khi khởi động lại và tiếp tục vận hành xe cắt cỏ.
26. Thường xuyên kiểm tra giò đựng cỏ xem có bị mòn hay xuống cấp không. Đối với việc cắt giữ, luôn đảm bảo giò đựng cỏ rỗng. Thay thế giò đựng cỏ đã mòn bằng thiết bị thay thế nhà máy mới để an toàn.
27. Đặc biệt cần trọng khi lùi hoặc kéo xe cắt cỏ về phía bạn.
28. Ngừng (các) lưới cắt nếu xe cắt cỏ cần phải đặt nghiêng để vận chuyển khi đi qua các bề mặt không phải cỏ, và khi vận chuyển xe cắt cỏ đến và từ khu vực được sử dụng.
29. Không bao giờ vận hành xe cắt cỏ với phần bảo vệ hoặc tấm bảo vệ hông, hoặc không có thiết bị an toàn, ví dụ như tấm chắn và/hoặc giò đựng cỏ ở đúng vị trí.
30. Bật xe cắt cỏ cẩn thận theo hướng dẫn và với chân luôn cách xa khỏi (các) lưới cắt.
31. Không nghiêng xe cắt cỏ khi bật động cơ, trừ khi xe cắt cỏ cần phải đặt nghiêng để khởi động. Trong trường hợp này, không nghiêng nếu không hoàn toàn cần thiết và chỉ nâng bộ phận cách xa người vận hành.
32. Không khởi động xe cắt cỏ khi đứng trước cửa xả.
33. Không để tay hoặc chân ở gần hoặc ở dưới các bộ phận đang quay. Giữ sạch cửa xả tại mọi thời điểm.
34. Không vận chuyển xe cắt cỏ trong khi bật xe cắt cỏ.
35. Ngừng xe cắt cỏ, và tháo thiết bị vô hiệu hóa. Đảm bảo tất cả bộ phận đang di chuyển đã dừng hẳn
 - bắt cứ khi nào bạn rời khỏi xe cắt cỏ,
 - trước khi làm thông chỗ tắc nghẽn hoặc tháo máng chắn,
 - trước khi kiểm tra, làm sạch hoặc làm việc trên xe cắt cỏ,
 - sau khi gỡ bỏ ngoại vật. Kiểm tra hư hỏng của xe cắt cỏ và sửa chữa trước khi khởi động lại và vận hành xe cắt cỏ.
36. Nếu xe cắt cỏ bắt đầu rung bất thường (kiểm tra ngay lập tức)
 - kiểm tra hư hỏng,
 - thay thế hoặc sửa chữa các bộ phận bị hỏng,
 - kiểm tra và vận chặt các bộ phận bị lỏng.
37. Cẩn thận khi điều chỉnh xe cắt cỏ để tránh kẹp các ngón tay ở giữa lưới cắt đang di chuyển và các bộ phận cố định của xe cắt cỏ.

38. **Cắt ngang mặt nghiêng, không bao giờ đưa lên xuống.** Đặc biệt thận trọng khi thay đổi hướng trên mặt nghiêng. Không cắt quá lâu trên mặt nghiêng đứng.
39. **Không rửa bằng vòi; tránh để nước đi vào động cơ và các kết nối điện.**
40. **Thường xuyên kiểm tra bu-lông gắn lưỡi cắt xem có vặn chặt đúng cách không.**
41. **Giữ cho tất cả các đai ốc, bu-lông, ốc vít đều vặn chặt để đảm bảo thiết bị ở trong điều kiện làm việc an toàn.**
42. **Luôn để cho xe cắt cỏ nguội trước khi cất giữ.**
43. **Khi bảo trì lưỡi cắt phải nhận thức rằng, mặc dù nguồn điện đã được tắt, lưỡi cắt vẫn có thể di chuyển được.**
44. **Thay thế các bộ phận bị mòn hoặc bị hỏng để an toàn. Chỉ sử dụng phụ tùng và các bộ phận thay thế chính hãng.**

LƯU GIỮ CÁC HƯỚNG DẪN NÀY.

⚠CẢNH BÁO: KHÔNG vì đã thoải mái hay quen thuộc với sản phẩm (có được do sử dụng nhiều lần) mà không tuân thủ nghiêm ngặt các quy định về an toàn dành cho sản phẩm này.

VIỆC DÙNG SAI hoặc không tuân theo các quy định về an toàn được nêu trong tài liệu hướng dẫn này có thể dẫn đến thương tích cá nhân nghiêm trọng.

Hướng dẫn quan trọng về an toàn dành cho hộp pin

1. Trước khi sử dụng hộp pin, hãy đọc kỹ tất cả các hướng dẫn và dấu hiệu cảnh báo trên (1) bộ sạc pin, (2) pin và (3) sản phẩm sử dụng pin.
2. Không tháo rời hộp pin.
3. Nếu thời gian vận hành ngắn hơn quá mức, hãy ngừng vận hành ngay lập tức. Điều này có thể dẫn đến rủi ro quá nhiệt, có thể gây bỏng và thậm chí là nổ.
4. Nếu chất điện phân rơi vào mắt, hãy rửa sạch bằng nước sạch và đến cơ sở y tế ngay lập tức. Chất này có thể khiến bạn giảm thị lực.
5. Không để hộp pin ở tình trạng đoản mạch:
 - (1) Không chạm vào cực pin bằng vật liệu dẫn điện.
 - (2) Tránh cất giữ hộp pin trong hộp có các vật kim loại khác như đinh, tiền xu, v.v...
 - (3) Không được để hộp pin tiếp xúc với nước hoặc mưa.
 Đoản mạch pin có thể gây ra dòng điện lớn, quá nhiệt, có thể gây bỏng và thậm chí là hỏng hóc.
6. Không cất giữ dụng cụ và hộp pin ở nơi nhiệt độ có thể lên tới hoặc vượt quá 50°C.
7. Không đốt hộp pin ngay cả khi hộp pin đã bị hư hại nặng hoặc hư hỏng hoàn toàn. Hộp pin có thể nổ khi tiếp xúc với lửa.
8. Hãy cẩn trọng không làm rơi hoặc làm rơi pin.

9. **Không sử dụng pin đã hỏng.**
10. **Pin nén lithium-ion là đối tượng có yêu cầu bắt buộc theo Luật Hàng hoá Nguy hiểm.** Đối với vận tải thương mại, ví dụ như vận tải do bên thứ ba, đại lý giao nhận, thì yêu cầu đặc biệt về đóng gói và nhãn ghi phải được giám sát. Để chuẩn bị cho mặt hàng cần vận chuyển, cần phải tham khảo ý kiến chuyên gia về vật liệu nguy hiểm. Nếu được, vui lòng tuân thủ các quy định quốc gia chi tiết hơn. Buộc hoặc niêm phong các tiếp điểm mở và đóng gói pin theo cách đó để nó không thể di chuyển trong bao bì.
11. **Khi vứt bỏ hộp pin, hãy tháo chúng khỏi dụng cụ và thải bỏ ở nơi an toàn. Phải tuân thủ theo các quy định của địa phương liên quan đến việc thải bỏ pin.**
12. **Chỉ sử dụng pin cho các sản phẩm Makita chỉ định.** Lắp pin vào sản phẩm không thích hợp có thể gây ra hỏa hoạn, quá nhiệt, nổ, hoặc rò chất điện phân.
13. **Nếu dụng cụ không được sử dụng trong một thời gian dài, cần phải tháo pin ra khỏi dụng cụ.**

LƯU GIỮ CÁC HƯỚNG DẪN NÀY.

⚠THẬN TRỌNG: Chỉ sử dụng pin Makita chính hãng. Việc sử dụng pin không chính hãng Makita, hoặc pin đã được sửa đổi, có thể dẫn đến nổ pin gây ra cháy, thương tích và thiệt hại cá nhân. Nó cũng sẽ làm mất hiệu lực bảo hành của Makita dành cho dụng cụ của Makita và bộ sạc.

Mẹo duy trì tuổi thọ tối đa cho pin

1. **Sạc hộp pin trước khi pin bị xả điện hoàn toàn.** Luôn dừng việc vận hành dụng cụ và sạc pin khi bạn nhận thấy công suất dụng cụ bị giảm.
2. **Không được phép sạc lại một hộp pin đã được sạc đầy.** Sạc quá mức sẽ làm giảm tuổi thọ của pin.
3. **Sạc pin ở nhiệt độ phòng 10°C - 40°C.** Để cho hộp pin nóng nguội lại dần trước khi sạc pin.
4. **Sạc pin sáu tháng một lần nếu bạn không sử dụng dụng cụ trong một thời gian dài (hơn sáu tháng).**

MÔ TẢ CHỨC NĂNG

Lắp hoặc tháo hộp pin

⚠ THẬN TRỌNG: Luôn tắt máy trước khi lắp hoặc tháo hộp pin.

⚠ THẬN TRỌNG: Đảm bảo rằng bạn đã khóa nắp đậy pin trước khi sử dụng. Nếu không, bùn, bụi, hoặc nước có thể làm hỏng sản phẩm hoặc hộp pin.

⚠ THẬN TRỌNG: Luôn lắp hộp pin khớp hoàn toàn vào vị trí cho đến khi không thể nhìn thấy đèn chỉ báo màu đỏ. Nếu không, hộp pin có thể vô ý rơi ra khỏi máy, gây thương tích cho bạn hoặc người khác ở xung quanh.

⚠ THẬN TRỌNG: Không được dùng sức lắp hộp pin. Nếu hộp pin không nhẹ nhàng trượt vào vị trí, có nghĩa là pin vẫn chưa được lắp đúng.

LƯU Ý: Máy sẽ không hoạt động nếu chỉ có một hộp pin.

Để lắp hộp pin;

1. Trượt cần khóa nắp đậy pin và mở nắp đậy pin.

► **Hình1:** 1. Nắp đậy pin 2. Cần khóa nắp đậy pin

2. Đặt thẳng hàng phần chốt nhỏ ra của hộp pin vào phần rãnh nằm trên xe cắt cỏ rồi trượt hộp pin cho đến khi chốt khóa vào đúng vị trí với một tiếng “cách” nhẹ. Nếu bạn vẫn còn nhìn thấy đèn chỉ báo màu đỏ ở mặt trên của nút, hộp pin vẫn chưa được khóa hoàn toàn.

► **Hình2:** 1. Hộp pin

3. Tra chìa khóa vào đúng vị trí như đã thể hiện trên hình vẽ hết mức có thể.

► **Hình3:** 1. Chìa khóa

4. Đóng nắp đậy pin và đẩy cho đến khi gài được cần khóa.

Để tháo hộp pin ra khỏi xe cắt cỏ;

1. Trượt cần khóa nắp đậy pin và mở nắp đậy pin.

2. Vừa rút hộp pin ra khỏi xe cắt cỏ vừa đẩy trượt nút ở phía trước hộp pin.

3. Rút chìa khóa ra.

4. Đóng nắp đậy pin.

Hệ thống bảo vệ dụng cụ / pin

Dụng cụ này được trang bị hệ thống bảo vệ dụng cụ / pin. Hệ thống này sẽ tự động ngắt nguồn điện đến động cơ để kéo dài tuổi thọ dụng cụ và pin. Dụng cụ sẽ tự động dừng vận hành khi dụng cụ hoặc pin ở một trong những trường hợp sau đây. Trong một số trường hợp, các đèn chỉ báo này sẽ sáng lên.

Bảo vệ quá tải

Khi vận hành dụng cụ trong điều kiện làm máy tiêu tốn dòng cao bất thường, dụng cụ sẽ tự động dừng lại mà không có bất cứ dấu hiệu nào. Trong trường hợp này, hãy tắt dụng cụ và ngừng ứng dụng làm cho dụng cụ trở nên quá tải. Sau đó bắt dụng cụ lên để khởi động lại.

Bảo vệ quá nhiệt

Khi bị quá nhiệt, dụng cụ sẽ tự động dừng. Hãy để dụng cụ nguội dần trước khi bật dụng cụ một lần nữa.

Bảo vệ xả điện quá mức

Khi dùng lượng pin yếu, thì dụng cụ sẽ tự động dừng. Nếu sản phẩm không vận hành ngay cả khi vận hành công tắc, hãy tháo pin ra khỏi dụng cụ và sạc pin.

Chỉ báo dung lượng pin còn lại

► **Hình4:** 1. Đèn chỉ báo pin 2. Nút Check (kiểm tra)

Ấn nút Check (kiểm tra) để chỉ báo dung lượng pin còn lại. Đèn chỉ báo pin tương ứng với từng loại pin.

Trạng thái đèn chỉ báo pin		Dung lượng pin còn lại
Bật	Tắt	
		50% - 100%
		20% - 50%
		0% - 20%

Chỉ báo dung lượng pin còn lại

Chỉ dành cho hộp pin có đèn chỉ báo

► **Hình5:** 1. Các đèn chỉ báo 2. Nút Check (kiểm tra)

Ấn nút check (kiểm tra) trên hộp pin để chỉ báo dung lượng pin còn lại. Các đèn chỉ báo bật sáng lên trong vài giây.

Các đèn chỉ báo			Dung lượng pin còn lại
Bật sáng	Tắt	Nhấp nháy	
			75% đến 100%
			50% đến 75%
			25% đến 50%
			0% đến 25%
			Sạc pin.
			Pin có thể đã bị hỏng.

LƯU Ý: Tùy thuộc vào các điều kiện sử dụng và nhiệt độ xung quanh, việc chỉ báo có thể khác biệt một chút so với dung lượng thực sự.

Hoạt động công tắc

⚠ CẢNH BÁO: Trước khi lắp hộp pin, luôn luôn kiểm tra xem cần công tắc có hoạt động bình thường hay không và trả về vị trí ban đầu khi nhả ra. Vận hành máy bằng công tắc không khởi động đúng có thể dẫn đến mất điều khiển và thương tích cá nhân nghiêm trọng.

LƯU Ý: Không thể khởi động xe cắt cỏ mà không nhấn nút công tắc kể cả khi cần công tắc đã được kéo.

LƯU Ý: Xe cắt cỏ có thể không khởi động do quá tải khi bạn có cắt cỏ dài hoặc dày đặc tại một thời điểm nào đó. Tăng chiều cao cắt trong trường hợp này.

Xe cắt cỏ này được trang bị chốt khóa liên động và tay nắm chuyển đổi. Nếu bạn nhận thấy bất cứ điều gì khác thường với những công tắc này, ngừng vận hành ngay lập tức và nhờ Trung tâm dịch vụ Makita được ủy quyền kiểm tra chúng.

1. Để lắp hộp pin. Tra chìa khóa vào chốt khóa liên động rồi đóng nắp đầy pin.

▶ **Hình6:** 1. Hộp pin 2. Chìa khóa

2. Nhấn nút công tắc và giữ nó.

3. Kẹp chặt tay nắm trên và kéo cần công tắc.

▶ **Hình7:** 1. Nút công tắc 2. Cần công tắc

4. Nhả nút công tắc ngay khi động cơ bắt đầu chạy. Xe cắt cỏ sẽ tiếp tục chạy cho đến khi bạn nhả cần công tắc.

5. Nhả cần công tắc ra để dừng động cơ.

Điều chỉnh chiều cao cắt

⚠ CẢNH BÁO: Không bao giờ đặt tay hoặc chân của bạn dưới thân máy cắt khi đang điều chỉnh chiều cao cắt.

⚠ CẢNH BÁO: Luôn đảm bảo rằng cần đã lắp vào rãnh đúng cách trước khi vận hành.

Chiều cao cắt có thể được điều chỉnh trong khoảng giữa 20 mm - 75 mm.

1. Rút chìa khóa ra.

2. Kéo cần điều chỉnh chiều cao cắt về phía thân máy cắt và di chuyển đến chiều cao cắt mong muốn.

▶ **Hình8:** 1. Cần điều chỉnh chiều cao cắt

LƯU Ý: Chỉ số chiều cao cắt nên được sử dụng theo như hướng dẫn. Tùy thuộc vào điều kiện của bãi cỏ hoặc mặt đất, chiều cao cắt thực tế có thể khác một chút so với chiều cao đã cài đặt.

LƯU Ý: Thử kiểm tra việc cắt cỏ ở nơi ít bị chú ý để có được chiều cao mong muốn.

Đèn chỉ báo mức cỏ

▶ **Hình9:** 1. Đèn chỉ báo mức cỏ

Đèn chỉ báo mức cỏ cho biết số lượng cỏ đã cắt.

- Khi giỏ đựng cỏ chưa đầy, đèn chỉ báo nhấp nháy trong khi cắt cỏ.
- Khi giỏ đựng cỏ đầy, đèn chỉ báo sẽ không nhấp nháy trong khi cắt cỏ. Trong trường hợp này, ngừng di chuyển ngay và làm trống giỏ. Sau khi làm trống giỏ, hãy vệ sinh chúng để mặt lưới thoáng khí.

LƯU Ý: Đèn chỉ báo này là một hướng dẫn sơ lược. Tùy thuộc vào điều kiện bên trong giỏ, đèn chỉ báo này có thể sẽ không hoạt động đúng cách.

LẮP RÁP

⚠ CẢNH BÁO: Luôn đảm bảo rằng đã rút chìa khóa và tháo các hộp pin ra trước khi thực hiện bất cứ thao tác nào trên xe cắt cỏ. Không rút chìa khóa và tháo hộp pin có thể dẫn đến thương tích cá nhân nghiêm trọng do vô tình khởi động máy.

⚠ CẢNH BÁO: Không bao giờ khởi động máy cắt cỏ trừ khi nó đã được lắp ráp hoàn chỉnh. Vận hành máy trong tình trạng chỉ được lắp ráp một phần có thể dẫn đến thương tích nghiêm trọng do vô tình khởi động máy.

Lắp nắp đầy pin

⚠ CẢNH BÁO: Không tra chìa khóa và lắp hộp pin trước khi lắp nắp đầy pin. Không làm như vậy có thể gây ra thương tích nghiêm trọng.

Lắp hoàn toàn nắp đầy pin trước khi vận hành. Nắp đầy pin sẽ bảo vệ xe cắt cỏ và hộp pin khỏi bùn, bụi và nước.

1. Đặt nắp đầy pin với phần nhô ra trên máy cắt cỏ đã được căn chỉnh theo lỗ trên nắp đầy pin.

▶ **Hình10:** 1. Phần nhô ra 2. Lỗ 3. Nắp đầy pin

2. Đặt tay của bạn ở giữa nắp đầy pin và đây nó.

▶ **Hình11**

3. Trước khi vận hành lần đầu tiên, kiểm tra xem đầu xoay của nắp đầy pin đã được gắn vào đúng cách chưa. Nếu nắp đầy pin đã được lắp đúng cách, nó sẽ không mở ra cho đến khi kéo cần khóa nắp đầy pin.

▶ **Hình12:** 1. Đầu xoay 2. Cần khóa nắp đầy pin

Lắp tay nắm

CHÚ Ý: Khi lắp tay nắm, đặt dây dẫn sao cho chúng không bị kẹt vào bất kỳ chỗ nào ở giữa các tay nắm. Nếu dây dẫn bị hỏng, công tác của xe cắt cỏ có thể không làm việc.

1. Trượt cả hai đầu tay nắm dưới vào rãnh của xe cắt cỏ rồi vặn chặt hết cỡ ốc xiết.

► **Hình13:** 1. Ốc xiết 2. Tay nắm dưới

2. Căn chỉnh lỗ ốc vít của tay nắm trên và tay nắm dưới. Xiết chặt chúng bằng ốc xiết và đai ốc.

► **Hình14:** 1. Đai ốc xiết 2. Ốc xiết

LƯU Ý: Cầm chặt tay nắm trên để nó không rơi ra khỏi tay bạn.

3. Gắn giá đỡ vào tay nắm. Đặt dây cấp điện nguồn như được thể hiện trong hình.

► **Hình15:** 1. Giá đỡ

Tháo hoặc lắp lưới cắt cỏ

⚠ CẢNH BÁO: Luôn rút chìa khóa và tháo hộp pin khi tháo hoặc lắp lưới cắt. Không rút chìa khóa và tháo hộp pin có thể gây ra thương tích có hại nghiêm trọng.

⚠ CẢNH BÁO: Lưới cắt chạy theo đà quán tính khoảng vài giây sau khi nhả công tắc. Không bắt đầu bất cứ hoạt động nào cho đến khi lưới cắt dừng hoàn toàn.

⚠ CẢNH BÁO: Luôn mang găng tay khi xử lý lưới cắt.

Để tháo lưới cắt cỏ, hãy thực hiện các bước sau.

1. Đặt xe cắt cỏ ngửa lên để cần điều chỉnh chiều cao cắt di chuyển sang bên cao hơn.

2. Để khóa vòng quay lưới cắt, chèn tuốc-nơ-vít hoặc dụng cụ tương tự vào lỗ trên bộ lưới cắt.

3. Vặn bu-lông ngược chiều kim đồng hồ bằng cờ lê.

► **Hình16:** 1. Lưới cắt cỏ 2. Tuốc-nơ-vít 3. Cờ lê

4. Tháo bu-lông, vành ngoài, lưới cắt cỏ, và vành trong theo thứ tự.

► **Hình17:** 1. Vành trong 2. Mũi tên chiều xoay 3. Vành ngoài 4. Bu-lông 5. Lưới cắt cỏ

Để lắp lưới cắt cỏ, hãy thực hiện ngược lại quy trình tháo ra.

⚠ CẢNH BÁO: Lắp lưới cắt cẩn thận. Phải ngang bằng mặt dưới/mặt trên. Đặt lưới cắt sao cho mũi tên chiều xoay hướng lên trên.

⚠ CẢNH BÁO: Vặn chặt bu-lông theo chiều kim đồng hồ để giữ chặt lưới cắt.

⚠ CẢNH BÁO: Đảm bảo lưới cắt và tất cả các bộ phận cố định đều đã được lắp đúng cách và vặn thật chặt.

⚠ CẢNH BÁO: Khi thay thế lưới cắt, luôn làm theo hướng dẫn cung cấp trong sách hướng dẫn này.

Lắp giỏ đựng cỏ

1. Rút chìa khóa ra.

2. Nâng tấm chắn bảo vệ sau của thân máy cắt.

► **Hình18**

3. Móc giỏ đựng cỏ vào rãnh trên thân máy cắt như thể hiện trong hình.

► **Hình19:** 1. Móc treo 2. Rãnh 3. Giỏ đựng cỏ

VẬN HÀNH

Cắt

⚠ CẢNH BÁO: Trước khi cắt, lấy hết gậy và đá ra khỏi khu vực cắt. Ngoài ra, phải làm sạch trước cỏ dại ra khỏi khu vực.

⚠ CẢNH BÁO: Luôn mang kính bảo hộ hoặc kính an toàn có tấm chắn khi vận hành xe cắt cỏ.

► **Hình20**

Cầm chặt tay nắm máy cắt cỏ đẩy chạy điện bằng cả hai tay khi cắt.

Cạnh ngoài của đĩa mài trước là để hướng dẫn cho chiều rộng cắt. Sử dụng hai cạnh ngoài đĩa mài trước như hướng dẫn, cắt trong dải băng, chừa một nửa đến một phần ba dải băng trước đó, để cắt bãi cỏ dài đều nhau.

Kiểm tra định kỳ cỏ đã cắt trong giỏ đựng cỏ. Để cỏ đi trước khi giỏ đựng cỏ đầy. Trước mỗi lần kiểm tra định kỳ, đảm bảo đã ngừng xe cắt cỏ rồi rút chìa khóa và tháo hộp pin.

LƯU Ý: Sử dụng xe cắt cỏ với toàn bộ giỏ đựng cỏ sẽ ngăn không cho vòng quay lưới cắt trơn tru và đặt thêm tải trọng lên động cơ, có thể gây ra hỏng hóc.

Cắt bãi cỏ dài

Không cố cắt tất cả cỏ dài trong một lần cắt. Thay vào đó, cắt bãi cỏ dài theo nhiều bước. Dành ra một hoặc hai ngày giữa mỗi lần cắt cho đến khi bãi cỏ dài ngắn đều.

LƯU Ý: Cắt tất cả cỏ dài đến một chiều dài ngắn trong một lần cắt có thể làm cho cỏ chết. Cỏ đã cắt cũng có thể chất thành khối bên trong thân máy cắt.

Làm rỗng giỏ đựng cỏ

⚠ CẢNH BÁO: Để giảm nguy cơ tai nạn, thường xuyên kiểm tra giỏ đựng cỏ xem có bất kỳ hư hỏng hoặc lực yếu không. Thay giỏ đựng cỏ nếu cần thiết.

1. Nhà cần công tắc.

2. Rút chìa khóa ra.

3. Nâng tấm chắn bảo vệ sau và lấy giỏ đựng cỏ ra bằng cách cầm tay nắm.

► **Hình21:** 1. Tấm chắn bảo vệ sau 2. Tay nắm

4. Làm rỗng giỏ đựng cỏ.

BẢO DƯỠNG & CẮT GIỮ

⚠ CẢNH BÁO: Luôn đảm bảo chia khóa và hộp pin đã được tháo ra khỏi xe cắt cỏ trước khi cắt giữ hoặc cố thực hiện kiểm tra hoặc bảo dưỡng.

⚠ CẢNH BÁO: Luôn rút chìa khóa khi không sử dụng xe cắt cỏ. Đặt chìa khóa ở nơi an toàn tránh xa tầm tay trẻ em.

⚠ CẢNH BÁO: Mang găng tay khi thực hiện kiểm tra hoặc bảo dưỡng.

CHÚ Ý: Không được phép dùng xăng, ết xăng, dung môi, côn hoặc hóa chất tương tự. Có thể xảy ra hiện tượng mất màu, biến dạng hoặc nứt vỡ.

Bảo dưỡng

1. Rút chìa khóa ra. Đặt nó ở nơi an toàn tránh xa tầm tay trẻ em.
2. Sử dụng một miếng vải ướt để vệ sinh xe cắt cỏ. Không phun hoặc đổ nước lên xe cắt cỏ khi vệ sinh.
3. Đặt xe cắt cỏ ngửa lên và làm sạch những mảnh cỏ tích tụ trên mặt dưới của buồng xe cắt cỏ.
4. Kiểm tra xem tất cả các đai ốc, bu-lông, núm, ốc vít, bộ phận kẹp, v.v... đã vặn chặt chưa.
5. Kiểm tra bộ phận chuyển động có bị hư hỏng, nứt gãy, và mòn không. Nên sửa chữa hoặc thay thế các bộ phận bị hỏng hoặc bị thiếu.

Cắt giữ

⚠ CẢNH BÁO: Khi mang đi hoặc cất giữ xe cắt cỏ, không cầm tay nắm đã gấp lại mà cầm tay cầm trước của xe cắt cỏ. Cầm tay nắm đã gấp lại có thể gây ra chấn thương nghiêm trọng hoặc làm hỏng xe cắt cỏ.

Trước khi cất giữ xe cắt cỏ, tháo hộp pin ra khỏi xe. Cất giữ xe cắt cỏ ở một nơi thoáng mát, khô và được khóa kín. Không cất giữ xe cắt cỏ và bộ sạc ở nơi nhiệt độ có thể lên tới hoặc vượt quá 40 °C (104 °F).

► **Hình22:** 1. Tay cầm trước 2. Tay cầm sau

1. Nới lỏng ốc xiết và mở rộng tay nắm dưới ra cả hai phía. Chuyển tay nắm xuống phía trước. Lúc này, giữ chặt dụng cụ máy trên tay nắm dưới để tay nắm không rơi xuống ra xa thân máy cắt.

► **Hình23:** 1. Ốc xiết 2. Tay nắm dưới

2. Nới lỏng đai ốc xiết và xoay tay nắm trên ra sau trong khi mở rộng ra cả hai bên.

► **Hình24:** 1. Đai ốc xiết 2. Tay nắm trên

3. Để giỏ đựng cỏ vào giữa tay nắm và thân máy cắt.

► **Hình25:** 1. Giỏ đựng cỏ

LƯU Ý: Khi đặt xe cắt cỏ vào vị trí dựng đứng, không cầm tay nắm mà hãy sử dụng dụng cụ máy trước của xe cắt cỏ.

Để đảm bảo ĐỘ AN TOÀN và ĐỘ TIN CẬY của sản phẩm, việc sửa chữa hoặc bất cứ thao tác bảo trì, điều chỉnh nào đều phải được thực hiện bởi các Trung tâm Dịch vụ Nhà máy hoặc Trung tâm được Makita Ủy quyền và luôn sử dụng các phụ tùng thiết bị thay thế của Makita.

XỬ LÝ SỰ CỐ

Trước khi yêu cầu sửa chữa, đầu tiên hãy tự tiến hành kiểm tra của riêng bạn. Nếu bạn phát hiện vấn đề nào đó không được giải thích trong sách hướng dẫn sử dụng này, đừng cố tháo dỡ dụng cụ. Thay vào đó, hãy nhờ Trung tâm dịch vụ Makita được ủy quyền, luôn sử dụng bộ phận thay thế của Makita để sửa chữa.

Tình trạng bất thường	Nguyên nhân tiềm tàng (sự cố hồng hóc)	Biện pháp khắc phục
Xe cắt cỏ không khởi động.	Hai hộp pin không được lắp vào.	Đề lắp hộp pin đã được sạc đầy.
	Vấn đề pin (điện áp thấp)	Sạc pin lại cho hộp pin. Nếu sạc pin lại không hiệu quả, thay thế hộp pin.
	Chìa khóa không được tra vào.	Tra chìa khóa vào.
Động cơ ngừng chạy sau khi ít sử dụng đến.	Mức sạc pin thấp.	Sạc pin lại cho hộp pin. Nếu sạc pin lại không hiệu quả, thay thế hộp pin.
	Chiều cao cắt quá thấp.	Tăng chiều cao cắt.
Động cơ không đạt RPM tối đa.	Hộp pin được lắp đúng cách.	Lắp hộp pin như mô tả trong sách hướng dẫn này.
	Nguồn pin bị tụt áp.	Sạc pin lại cho hộp pin. Nếu sạc pin lại không hiệu quả, thay thế hộp pin.
	Hệ thống truyền động không làm việc đúng cách.	Nhờ trung tâm bảo trì được ủy quyền ở địa phương sửa chữa.
Lưỡi cắt cỏ không quay: ⇒ ngừng xe cắt cỏ ngay lập tức!	Ngoại vật như nhánh cây bị kẹt ở gần lưỡi cắt.	Gỡ ngoại vật ra.
	Hệ thống truyền động không làm việc đúng cách.	Nhờ trung tâm bảo trì được ủy quyền ở địa phương sửa chữa.
Rung bất thường: ⇒ ngừng xe cắt cỏ ngay lập tức!	Lưỡi cắt không cân bằng, mòn không đều hoặc quá mức.	Thay thế lưỡi cắt.

PHỤ KIỆN TÙY CHỌN

⚠ THẬN TRỌNG: Các phụ kiện hoặc phụ tùng gắn thêm này được khuyến cáo sử dụng với dụng cụ Makita của bạn theo như quy định trong hướng dẫn này. Việc sử dụng bất cứ phụ kiện hoặc phụ tùng gắn thêm nào khác đều có thể gây ra rủi ro thương tích cho người. Chỉ sử dụng phụ kiện hoặc phụ tùng gắn thêm cho mục đích đã quy định sẵn của chúng.

Nếu bạn cần bất kỳ sự hỗ trợ nào để biết thêm chi tiết về các phụ tùng này, hãy hỏi Trung tâm Dịch vụ của Makita tại địa phương của bạn.

- Lưỡi cắt cỏ
- Pin và bộ sạc chính hãng của Makita

LƯU Ý: Một số mục trong danh sách có thể được bao gồm trong gói dụng cụ làm phụ kiện tiêu chuẩn. Các mục này ở mỗi quốc gia có thể khác nhau.

ข้อมูลจำเพาะ

รุ่น:	DLM431	
ความกว้างในการตัด (เส้นผ่านศูนย์กลางใบมีด)	430 mm	
ความเร็วหมุนเปล่า	3,600 min ⁻¹	
ขนาด (ยาว x กว้าง x สูง)	ระหว่างการทำงาน	สูงสุด 1,490 mm x 460 mm x 1,020 mm ต่ำสุด 1,450 mm x 460 mm x 950 mm
	เมื่อเก็บไว้ใน (โดยไม่มีตะกร้าเก็บหญ้า)	490 mm x 460 mm x 910 mm
แรงดันไฟฟ้าสูงสุด	D.C. 36 V	
ดัลต์แบตเตอรี่มาตรฐาน คำเตือน: ใช้แต่ดัลต์แบตเตอรี่ที่กำหนดไว้เท่านั้น	BL1815N/BL1820/BL1820B	BL1830/BL1830B/BL1840/BL1840B/ BL1850/BL1850B/BL1860B
น้ำหนักสุทธิ	17.8 kg	18.3 kg

- เนื่องจากการค้นคว้าวิจัยและพัฒนาอย่างต่อเนื่อง ข้อมูลจำเพาะในเอกสารฉบับนี้อาจเปลี่ยนแปลงได้โดยไม่ต้องแจ้งให้ทราบล่วงหน้า
- ข้อมูลจำเพาะและดัลต์แบตเตอรี่อาจแตกต่างกันไปในแต่ละประเทศ
- น้ำหนักรวมดัลต์แบตเตอรี่ตามข้อบังคับของ EPTA 01/2003

สัญลักษณ์

ต่อไปนี้เป็นสัญลักษณ์ที่ใช้สำหรับอุปกรณ์ โปรดศึกษาความหมายของสัญลักษณ์ให้เข้าใจก่อนการใช้งาน

	ใช้ความระมัดระวังและความสนใจเป็นพิเศษ
	อ่านคู่มือการใช้งาน
	อันตราย ระวังชิ้นส่วนที่กระเด็นมา
	เครื่องมือและผู้ที่อยู่ข้างเคียงจะต้องมีระยะห่างระหว่างกันอย่างน้อย 15 m
	ห้ามวางมือและเท้าของคุณใกล้ใบมีดได้ เครื่องตัดหญ้า ใบมีดจะยังคงหมุนต่อไปแม้ว่าจะปิดมอเตอร์แล้วก็ตาม
	ถอดกุญแจล็อกก่อนตรวจสอบ ปรับ ทำความสะอาด บำรุงรักษา วางไว้ และเก็บเครื่องตัดหญ้า



สำหรับประเทศในสหภาพยุโรปเท่านั้น ห้ามทิ้งอุปกรณ์ไฟฟ้าหรือชุดแบตเตอรี่รวมกับขยะครัวเรือนทั่วไป! เพื่อให้เป็นไปตามกฎระเบียบของยุโรปเกี่ยวกับขยะจำพวกอุปกรณ์ไฟฟ้าและอิเล็กทรอนิกส์ และขยะจำพวกแบตเตอรี่และหม้อสะสมไฟฟ้า และการปฏิบัติตามกฎหมายในประเทศ ต้องเก็บอุปกรณ์ไฟฟ้าและแบตเตอรี่และชุดแบตเตอรี่ที่หมดอายุการใช้งานแล้วแยกต่างหาก และส่งกลับไปยังศูนย์รีไซเคิลที่เป็นมิตรต่อสิ่งแวดล้อม

จุดประสงค์การใช้งาน

เครื่องนี้ใช้สำหรับตัดหญ้าในสนามหญ้า

คำแนะนำด้านความปลอดภัยที่สำคัญ

คำเตือน: อ่านคำเตือนด้านความปลอดภัยและคำแนะนำทั้งหมด การไม่ปฏิบัติตามคำเตือนและคำแนะนำดังกล่าวอาจส่งผลให้ไฟฟ้าช็อต ไฟไหม้ และ/หรือได้รับบาดเจ็บร้ายแรง

เก็บรักษาค่าเตือนและคำแนะนำทั้งหมดไว้ เป็นข้อมูลอ้างอิงในอนาคต

- อย่าใส่กุญแจเข้าไปในเครื่องตัดหญ้าจนกว่าจะพร้อมใช้งาน
- เด็กต้องได้รับการดูแลเพื่อให้มั่นใจว่าเด็กจะไม่เล่นเครื่องตัดหญ้า
- ห้ามอนุญาตให้เด็กหรือผู้ที่ไม่คุ้นเคยกับคู่มือการใช้งานเครื่องตัดหญ้า ข้อกำหนดในท้องถิ่นสามารถจำกัดอายุของผู้ปฏิบัติงาน
- ห้ามใช้งานเครื่องตัดหญ้าขณะที่ผู้อื่น โดยเฉพาะเด็ก หรือสัตว์เลี้ยงอยู่ใกล้เคียง
- โปรดทราบว่าผู้ปฏิบัติงานหรือผู้ซึ่งจะต้องเป็นผู้รับผิดชอบต่ออุบัติเหตุหรืออันตรายที่เกิดขึ้นต่อบุคคลหรือทรัพย์สินของบุคคลอื่น
- ระหว่างที่ใช้งานเครื่องตัดหญ้า ต้องใส่รองเท้าที่แข็งแรงและกางเกงขายาว อย่าใช้งานเครื่องตัดหญ้าขณะที่เท้าเปล่าหรือใส่รองเท้าแตะที่เปิดโล่ง หลีกเลี่ยงการใส่เสื้อผ้าหรือเครื่องประดับที่หลวมหรือมีสายหรือเชือกผูกห้อยอยู่ เนื่องจากอาจเข้าไปติดในชิ้นส่วนที่เคลื่อนไหวได้
- ใช้งานเครื่องตัดหญ้าในเวลากลางวันหรือมีแสงเทียมส่องสว่างเท่านั้น
- หลีกเลี่ยงการใช้งานเครื่องตัดหญ้ากับหญ้าเปียก
- ห้ามใช้งานเครื่องตัดหญ้าขณะฝนตก
- การใช้งานและดูแลเครื่องมือที่ใช้แบตเตอรี่
 - ชาร์จไฟใหม่ด้วยเครื่องชาร์จที่ระบุโดยผู้ผลิตเท่านั้น เครื่องชาร์จที่เหมาะสมสำหรับแบตเตอรี่ประเภทหนึ่งอาจเสี่ยงที่จะเกิดไฟไหม้หากนำไปใช้กับชุดแบตเตอรี่อีกประเภทหนึ่ง
 - ใช้เครื่องมือไฟฟ้ากับแบตเตอรี่ที่กำหนดมาโดยเฉพาะเท่านั้น การใช้ดัดแปลงแบตเตอรี่ประเภทอื่นอาจทำให้เสี่ยงที่จะได้รับบาดเจ็บและเกิดไฟไหม้
 - เมื่อไม่ใช้งานดัดแปลงแบตเตอรี่ ให้เก็บห่างจากวัตถุที่เป็นโลหะอื่นๆ เช่น คลิปหนีบกระดาษ เกรียง กุญแจ กรรไกรตัดเล็บ สกรู หรือวัตถุที่เป็นโลหะขนาดเล็กอื่นๆ ที่สามารถเชื่อมต่อกับขั้วหนึ่งกับอีกขั้วหนึ่งได้ การลัดวงจรขั้วแบตเตอรี่อาจทำให้ร้อนจัดหรือเกิดไฟไหม้
 - ในกรณีที่ใช้งานไม่ถูกต้อง อาจมีของเหลวไหลออกจากแบตเตอรี่ ให้หลีกเลี่ยงการสัมผัส หากสัมผัสโดนของเหลวโดยไม่ตั้งใจ ให้ล้างออกด้วยน้ำ หากของเหลวกระเด็นเข้าตา ให้รีบไปพบแพทย์ ของเหลวที่ไหลออกจากแบตเตอรี่อาจทำให้ผิวหนังระคายเคืองหรือไหม้
- จับมือจับให้แน่นเสมอ
- ตรวจสอบการยื่นของถนนบนทางลาดให้มั่นคงเสมอ
- โปรดเดิน อย่างช้าๆ
- อย่าจับใบมีดที่เปิดโล่งหรือขอบตัดขณะหยิบหรือถือเครื่องตัดหญ้า
- สภาพทางกายภาพ - อย่าใช้งานเครื่องตัดหญ้าขณะอยู่ในสภาพที่มีเมฆมากจากยาเสพติด เครื่องดื่มแอลกอฮอล์ หรือการเริ่ชยา
- ระวังอย่าให้มือและเท้าสัมผัสกับใบมีดที่กำลังหมุน ระวัง - ใบมีดยังคงหมุนหลังจากปิดเครื่องตัดหญ้าแล้ว
- ใช้เฉพาะใบมีดของแท้จากผู้ผลิตตามที่ระบุไว้ในคู่มือเล่มนี้เท่านั้น
- ตรวจสอบใบมีดอย่างระมัดระวังเพื่อหารอยแตกหรือความเสียหายก่อนที่จะใช้งาน เปลี่ยนใบมีดที่ร้าวหรือเสียหายทันที
- ตรวจสอบให้แน่ใจว่าพื้นที่ดังกล่าวไม่มีบุคคลอื่นก่อนทำการตัดหญ้า หยุดเครื่องตัดหญ้าหากมีบุคคลอื่นเข้ามาในพื้นที่
- กำจัดสิ่งแปลกปลอม เช่น ก้อนหิน เส้นลวด ขวด กระดุก และชิ้นไม้ขนาดใหญ่ออกจากพื้นที่ทำงานก่อนตัดหญ้า เพื่อป้องกันไม่ให้เกิดการบาดเจ็บหรือความเสียหายต่อเครื่องตัดหญ้า
- หยุดทำงานทันทีหากคุณพบว่าสิ่งผิดปกติ ปิดเครื่องตัดหญ้าและถอดกุญแจออก จากนั้นให้ตรวจสอบเครื่องตัดหญ้า
- ห้ามพยายามทำการปรับความสูงขณะที่เครื่องตัดหญ้ากำลังทำงาน
- ปล่อยก้านสวิตช์และรอให้ใบมีดหยุดหมุนก่อนข้ามถนนส่วนบุคคล ทางเดิน ถนน และพื้นที่ไรกรวดใดๆ และให้ถอดกุญแจออกหากคุณจะวางเครื่องตัดหญ้าทิ้งไว้ เอ็มมไปหยิบ หรือเอาบางอย่างที่ขวางทางออกหรือด้วยเหตุผลอื่นที่อาจทำให้คุณไม่มีสมาธิกับสิ่งที่กำลังทำอยู่
- สิ่งที่ติดอยู่กับใบมีดของเครื่องตัดหญ้าสามารถก่อให้เกิดบาดเจ็บรุนแรงได้ ควรมีการตรวจสอบสม่ำเสมออย่างละเอียดและกำจัดสิ่งต่างๆ ออกไปก่อนทำการตัดหญ้าในแต่ละครั้ง
- ถ้าเครื่องตัดหญ้ากระแทกเข้ากับสิ่งแปลกปลอม ให้ทำตามขั้นตอนดังนี้
 - หยุดเครื่องตัดหญ้า ปล่อยก้านสวิตช์และรอจนกว่าใบมีดจะหยุดสนิท
 - ถอดกุญแจและดัดแปลงแบตเตอรี่ออก
 - ตรวจสอบความเสียหายของเครื่องตัดหญ้าอย่างละเอียด

- เปลี่ยนใบมีดหากใบมีดเสียหาย ซ่อมแซมความเสียหายใดๆ ก่อนเริ่มทำงานและใช้งานเครื่องตัดหญ้าต่อ
- 26. ตรวจสอบความสึกหรอหรือการเสื่อมสภาพของตะกร้าเก็บหญ้าเป็นประจำ ในการเก็บรักษา ตรวจสอบให้แน่ใจว่าตะกร้าเก็บหญ้าว่างอยู่เสมอ เปลี่ยนตะกร้าเก็บหญ้าที่สึกหรอด้วยผลิตภัณฑ์ชิ้นใหม่จากโรงงานเพื่อความปลอดภัย
- 27. ใช้ความระมัดระวังอย่างมากเมื่อเดินถอยหลังหรือดึงเครื่องตัดหญ้าเข้าหาตัว
- 28. หยุดใบมีดหากต้องเอียงเครื่องตัดหญ้าเพื่อการขนย้าย ขณะข้ามพื้นผิวที่ไม่ใช่หญ้า และเมื่อขนย้ายเครื่องตัดหญ้าไปและกลับจากพื้นที่ใช้งาน
- 29. ห้ามใช้งานเครื่องตัดหญ้าที่มีที่ป้องกันหรือก้านบังที่เสียหาย หรือไม่มีอุปกรณ์ป้องกันภัย เช่น ที่ปิดเศษไม้ และ/หรือตะกร้าเก็บหญ้า ติดตั้งอยู่
- 30. เปิดสวิตช์เครื่องตัดหญ้าอย่างระมัดระวังตามคำแนะนำและให้เท้าอยู่ห่างจากใบมีด
- 31. อย่าเอียงเครื่องตัดหญ้าขณะที่เปิดสวิตช์มอเตอร์ ยกเว้นเมื่อต้องเอียงเครื่องตัดหญ้าเพื่อเริ่มใช้งาน ในกรณีนี้ อย่าเอียงเครื่องเกินกว่าที่จำเป็น และยกแค่ส่วนดังกล่าวให้ไกลจากผู้ปฏิบัติงาน
- 32. อย่าเริ่มใช้งานเครื่องตัดหญ้าขณะยืนอยู่หน้าช่องปล่อยเศษหญ้า
- 33. อย่าวางมือหรือเท้าใกล้หรือได้ชิ้นส่วนที่หมุน อย่าเข้าใกล้ช่องปล่อยเศษหญ้าเด็ดขาด
- 34. อย่าขนย้ายเครื่องตัดหญ้าขณะที่ยังเปิดเครื่องตัดหญ้า
- 35. หยุดเครื่องตัดหญ้า และถอดชิ้นส่วนหยุดการทำงานออก ตรวจสอบให้แน่ใจว่าชิ้นส่วนที่เคลื่อนไหวได้ทุกชิ้นหยุดสนิทแล้ว
 - ทุกครั้งที่คุณวางเครื่องตัดหญ้าทิ้งไว้
 - ก่อนกำจัดสิ่งกีดขวางหรือทำความสะอาดรางส่งที่อุดตัน
 - ก่อนตรวจสอบ ทำความสะอาด หรือจัดการเครื่องตัดหญ้า
 - หลังจากกระแทกเข้ากับวัตถุแปลกปลอม ตรวจสอบความเสียหายของเครื่องตัดหญ้าและทำการซ่อมแซมก่อนเริ่มใหม่หรือใช้งานเครื่องตัดหญ้า
- 36. ถ้าเครื่องตัดหญ้าเริ่มสั่นผิดปกติ (ตรวจสอบทันที)
 - ตรวจสอบความเสียหาย
 - เปลี่ยนหรือซ่อมแซมชิ้นส่วนที่เสียหาย
 - ตรวจสอบชิ้นส่วนที่หลวมและขันให้แน่น
- 37. โปรดระวังระหว่างการปรับเครื่องตัดหญ้าเพื่อป้องกันไม่ให้นิ้วเข้าไปติดก่อนถอดใบมีดและชิ้นส่วนที่ยึดไว้ของเครื่องตัดหญ้า

- 38. ดัดหญ้าตามพื้นผิวแนวลาด ไม่ตัดขึ้นและลง ใช้ความระมัดระวังอย่างมากในการเปลี่ยนทิศทางแนวลาดอย่าตัดหญ้าในแนวลาดชันเกินไป
- 39. อย่าล้าลงด้วยสายยาง หลีกเลี่ยงการทำให้หน้าเข้ามอเตอร์และจุดเชื่อมต่อไฟฟ้าต่างๆ
- 40. ตรวจสอบสลักเกลียวยึดใบมีดตามรอบระยะเวลาเป็นประจำเพื่อให้มีความแน่นที่เหมาะสม
- 41. ชันมือต สลักเกลียว และสกรูทุกตัวให้แน่นเพื่อให้มั่นใจว่าอุปกรณ์อยู่ในสภาพการใช้งานที่ปลอดภัย
- 42. ทิ้งเครื่องตัดหญ้าไว้ให้เย็นลงก่อนเก็บเสมอ
- 43. เมื่อทำการบำรุงรักษาใบมีด โปรดจดจำว่า แม้ว่าเปิดสวิตช์แหล่งพลังงานแล้ว แต่ใบมีดยังสามารถเคลื่อนไหวได้
- 44. เปลี่ยนชิ้นส่วนที่สึกหรอหรือเสียหายเพื่อความปลอดภัย ใช้ชิ้นส่วนอะไหล่และอุปกรณ์เสริมของแท้เท่านั้น

ปฏิบัติตามคำแนะนำเหล่านี้

⚠ คำเตือน: อย่าให้ความไม่ระมัดระวังหรือความคุ้นเคยกับผลิตภัณฑ์ (จากการใช้งานซ้ำหลายครั้ง) อยู่เหนือการปฏิบัติตามกฎเกณฑ์ด้านความปลอดภัยในการใช้งานผลิตภัณฑ์อย่างเคร่งครัด

การใช้งานอย่างไม่เหมาะสมหรือการไม่ปฏิบัติตามกฎเกณฑ์ด้านความปลอดภัยในคู่มือการใช้งานนี้อาจทำให้ได้รับบาดเจ็บรุนแรง

คำแนะนำเพื่อความปลอดภัยที่สำคัญสำหรับดัลบีแบตเตอร์

1. ก่อนใช้งานดัลบีแบตเตอร์ ให้อ่านคำแนะนำและเครื่องหมายเตือนทั้งหมดบน (1) เครื่องชาร์จ แบตเตอรี่ (2) แบตเตอรี่ และ (3) ตัวผลิตภัณฑ์ที่ใช้แบตเตอรี่
2. ห้ามถอดแยกส่วนดัลบีแบตเตอร์
3. หากระยะเวลาที่เครื่องทำงานสั้นเกินไป ให้หยุดใช้งานทันที เนื่องจากอาจมีความเสี่ยงที่จะร้อนจัด ใหม่หรือระเบิดได้
4. หากสารละลายอิเล็กโทรไลต์กระเด็นเข้าตา ให้ล้างออกด้วยน้ำเปล่าและรีบไปพบแพทย์ทันที เนื่องจากอาจทำให้ตาบอด
5. ห้ามลัดวงจรดัลบีแบตเตอร์:
 - (1) ห้ามแตะขั้วกับวัตถุที่เป็นสื่อนำไฟฟ้าใดๆ
 - (2) หลีกเลี่ยงการเก็บดัลบีแบตเตอร์ไว้ในภาชนะร่วมกับวัตถุที่เป็นโลหะ เช่น กรรไกรตัดเล็บ เหรียญ ฯลฯ

- (3) อย่าให้ดัลล์แบตเตอรี่ถูกน้ำหรือฝน
- แบตเตอรี่ลัดวงจรอาจทำให้เกิดการไหลของกระแสไฟฟ้า ร้อนจัดไหม้หรือเสียหายได้
6. ห้ามเก็บเครื่องมือและดัลล์แบตเตอรี่ไว้ในสถานที่ที่มีอุณหภูมิสูงถึงหรือเกิน 50 °C
7. ห้ามเผาดัลล์แบตเตอรี่ทิ้ง แม้ว่าแบตเตอรี่จะเสียหายจนใช้การไม่ได้หรือเสื่อมสภาพแล้ว ดัลล์แบตเตอรี่อาจจะระเบิดในกองไฟ
8. ระวังอย่าทำแบตเตอรี่ตกหล่นหรือกระทบกระแทก
9. ห้ามใช้แบตเตอรี่ที่เสียหาย
10. แบตเตอรี่ลิเทียมไอออนที่มีมาให้เป็นไปตามข้อกำหนดของ Dangerous Goods Legislation สำหรับการขนส่งเพื่อการพาณิชย์ เช่น โดยบุคคลที่สาม ตัวแทนขนส่งสินค้า จะต้องตรวจสอบข้อกำหนดพิเศษในด้านการบรรจุหีบห่อหรือการติดป้ายสินค้าในการเตรียมสินค้าที่จะขนส่ง ให้ปรึกษาผู้เชี่ยวชาญด้านวัตถุอันตราย โปรดตรวจสอบข้อกำหนดในประเทศที่อาจมีรายละเอียดอื่นๆ เพิ่มเติม ให้ติดเทปหรือปิดหน้าสัมผัสและห่อแบตเตอรี่ในลักษณะที่แบตเตอรี่จะไม่เคลื่อนที่ไปมาในหีบห่อ
11. เมื่อกำจัดดัลล์แบตเตอรี่ ให้ถอดดัลล์แบตเตอรี่ออกจากเครื่องมือและกำจัดในสถานที่ที่ปลอดภัย ปฏิบัติตามข้อบังคับในท้องถิ่นที่เกี่ยวข้องกับการกำจัดแบตเตอรี่
12. ใช้แบตเตอรี่กับผลิตภัณฑ์ที่ระบุโดย Makita เท่านั้น การติดตั้งแบตเตอรี่ในผลิตภัณฑ์ที่ไม่ใช่ตามที่ระบุอาจทำให้เกิดไฟไหม้ ความร้อนสูง ระเบิด หรืออิเล็กทรอนิกส์รั่วไหลได้
13. หากไม่ใช้เครื่องมือเป็นระยะเวลานาน จะต้องถอดแบตเตอรี่ออกจากเครื่องมือ

ปฏิบัติตามคำแนะนำเหล่านี้

⚠ ข้อควรระวัง: ใช้แบตเตอรี่ของแท้จาก Makita เท่านั้น การใช้แบตเตอรี่ Makita ที่ไม่แท้ หรือแบตเตอรี่ที่ถูกเปลี่ยน อาจทำให้แบตเตอรี่ระเบิด ก่อให้เกิดเพลิงลุกไหม้ การบาดเจ็บ และความเสี่ยงภัยได้ และจะทำให้การรับประกันของ Makita สำหรับเครื่องมือและแท่นชาร์จของ Makita เป็นโมฆะด้วย

เคล็ดลับในการรักษาอายุการใช้งานของแบตเตอรี่ให้ยาวนานที่สุด

1. ชาร์จดัลล์แบตเตอรี่ก่อนที่ไฟจะหมด หยุดการใช้งานแล้วชาร์จประจุไฟฟ้าใหม่ทุกครั้งเมื่อคุณรู้สึกว่าคุณปรารถนากำลังลดลง

2. อย่าชาร์จดัลล์แบตเตอรี่ที่มีไฟเต็มแล้ว การชาร์จประจุไฟฟ้ามากเกินไปอาจจะทำให้อายุการใช้งานของดัลล์แบตเตอรี่สั้นลง
3. ชาร์จประจุไฟฟ้าดัลล์แบตเตอรี่ในห้องที่มีอุณหภูมิระหว่าง 10 °C - 40 °C ปล่อยให้ดัลล์แบตเตอรี่เย็นลงก่อนที่จะชาร์จไฟ
4. ชาร์จไฟดัลล์แบตเตอรี่หากคุณไม่ต้องการใช้เป็นเวลานาน (เกินกว่าหกเดือน)

คำอธิบายการทำงาน

การใส่หรือการถอดดัลล์แบตเตอรี่

⚠ ข้อควรระวัง: ปิดสวิตช์เครื่องก่อนทำการติดตั้งหรือการถอดดัลล์แบตเตอรี่เสมอ

⚠ ข้อควรระวัง: ตรวจสอบให้แน่ใจว่าคุณถอดฝาครอบแบตเตอรี่ก่อนใช้งาน มิฉะนั้น โคลน ฝุ่น หรือน้ำอาจทำให้เกิดความเสียหายต่อผลิตภัณฑ์หรือดัลล์แบตเตอรี่ได้

⚠ ข้อควรระวัง: ติดตั้งดัลล์แบตเตอรี่เข้าไปจนสุดจนกระทั่งไม่เห็นส่วนสีแดง ไม่เช่นนั้นดัลล์แบตเตอรี่อาจหลุดออกจากเครื่องมือโดยไม่ได้ตั้งใจ ทำให้คุณหรือคนรอบข้างได้รับบาดเจ็บ

⚠ ข้อควรระวัง: อย่าฝืนติดตั้งดัลล์แบตเตอรี่โดยใช้แรงมากเกินไป หากดัลล์แบตเตอรี่ไม่เลื่อนเข้าไปโดยง่าย แสดงว่าใส่ไม่ถูกต้อง

หมายเหตุ: เครื่องจะไม่ทำงานด้วยดัลล์แบตเตอรี่ที่ก๊อเนเดียว

หากต้องการติดตั้งดัลล์แบตเตอรี่

1. เลื่อนก้านล็อกฝาครอบแบตเตอรี่และเปิดฝาครอบแบตเตอรี่
 - ▶ **หมายเลข 1:** 1. ฝาครอบแบตเตอรี่ 2. ก้านล็อกฝาครอบแบตเตอรี่
2. จัดลื่นของดัลล์แบตเตอรี่ให้ตรงกับช่องของเครื่องตัดหญ้า แล้วเลื่อนดัลล์จนล็อกเข้าที่และมีเสียงคลิกเบาๆ หากยังเห็นส่วนสีแดงที่ด้านบนของปุ่ม แสดงว่าดัลล์แบตเตอรี่ยังไม่ล็อกเข้าที่
 - ▶ **หมายเลข 2:** 1. ดัลล์แบตเตอรี่
3. ใส่กุญแจล็อกให้เข้าที่ตามที่แสดงในภาพให้ลึกที่สุดเท่าที่ใส่ได้
 - ▶ **หมายเลข 3:** 1. กุญแจล็อก

4. ปิดฝาครอบแบตเตอรี่และกดจนกว่าจะล็อกเข้ากับกัน ล็อค

หากต้องการถอดถลับแบตเตอรี่ออกจากเครื่องตัดหญ้า

1. เลื่อนก้านล็อคฝาครอบแบตเตอรี่และเปิดฝาครอบ แบตเตอรี่
2. ดึงถลับแบตเตอรี่ออกจากเครื่องตัดหญ้าขณะที่เลื่อน ปุ่มที่ด้านหน้าของถลับ
3. ดึงกุญแจล็อคคอก
4. ปิดฝาครอบแบตเตอรี่

ระบบป้องกันเครื่องมือ/แบตเตอรี่

เครื่องมือมีระบบป้องกันเครื่องมือ/แบตเตอรี่ ระบบนี้จะตัด ไฟที่ส่งไปยังมอเตอร์โดยอัตโนมัติเพื่อป้องกันการใช้งาน เครื่องมือและแบตเตอรี่ เครื่องมือจะหยุดทำงานระหว่างการใช้งานโดยอัตโนมัติ หากเครื่องมือหรือแบตเตอรี่อยู่ภายใต้ สถานการณ์ต่อไปนี้ ในบางกรณี ไฟแสดงสถานะจะติดขึ้น

การป้องกันโอเวอร์โหลด

เมื่อเครื่องมือทำงานในรูปแบบที่อาจจะดึงพลังงานไฟฟ้าสูง เกินไป เครื่องมือจะหยุดโดยอัตโนมัติโดยไม่มีการแจ้งเตือนใดๆ ในกรณีนี้ ให้ปิดเครื่องมือและหยุดการใช้งานในลักษณะ ที่อาจทำให้เครื่องมือทำงานหนักเกินไป แล้วเปิดเครื่องมือ เพื่อเริ่มทำงานอีกครั้ง

การป้องกันความร้อนสูงเกิน

เมื่อเครื่องมือร้อนเกินไป เครื่องมือจะหยุดโดยอัตโนมัติ ปล่อยให้เครื่องมือเย็นลงก่อนที่จะเปิดเครื่องมืออีกครั้ง






การป้องกันไฟหมด

เมื่อแบตเตอรี่มีระดับพลังงานต่ำ เครื่องมือจะหยุดโดย อัตโนมัติ หากผลิตภัณฑ์ไม่ทำงานแม้ว่าจะเปิดสวิตช์แล้ว ให้ถอดแบตเตอรี่ออกจากเครื่องมือและชาร์จแบตเตอรี่

การระบุระดับพลังงานแบตเตอรี่ที่เหลืออยู่

► หมายเลข 4: 1. ไฟแสดงสถานะแบตเตอรี่ 2. ปุ่ม ตรวจสอบ

กดปุ่ม ตรวจสอบ เพื่อดูปริมาณแบตเตอรี่ที่เหลือ ไฟแสดง สถานะแบตเตอรี่จะตรงตามแบตเตอรี่แต่ละลูก



















สถานะของไฟแสดงสถานะแบตเตอรี่		ความจุแบตเตอรี่ที่ เหลืออยู่
 สว่าง	 ดับ	
		50% - 100%
		20% - 50%
		0% - 20%

การระบุระดับพลังงานแบตเตอรี่ที่เหลืออยู่

สำหรับถลับแบตเตอรี่ที่มีตัวแสดงสถานะเท่านั้น

► หมายเลข 5: 1. ไฟแสดงสถานะ 2. ปุ่มตรวจสอบ

กดปุ่ม ตรวจสอบ บนถลับแบตเตอรี่เพื่อดูปริมาณแบตเตอรี่ ที่เหลือ ไฟแสดงสถานะจะสว่างขึ้นเป็นเวลาสองสามวินาที

ไฟแสดงสถานะ			แบตเตอรี่ที่ เหลือ
 ไฟสว่าง	 ดับ	 กะพริบ	
			75% ถึง 100%
			50% ถึง 75%
			25% ถึง 50%
			0% ถึง 25%
			ชาร์จไฟ แบตเตอรี่
			แบตเตอรี่อาจ จะเสีย
			

หมายเหตุ: ขึ้นอยู่กับสภาพการใช้งานและอุณหภูมิ โดยรอบ การแสดงสถานะอาจจะแตกต่างจากปริมาณแบตเตอรี่จริงเล็กน้อย

การทำงานของสวิตช์

คำเตือน: ก่อนใส่ดัลบ์แบตเตอรี่ ให้ตรวจสอบว่าก้านสวิตช์สามารถทำงานได้อย่างถูกต้อง และกลับไปยังตำแหน่งเดิมเมื่อปล่อย การใช้งานเครื่องโดยที่สวิตช์ไม่ทำงานอย่างถูกต้องอาจนำไปสู่การสูญเสียการควบคุมและการบาดเจ็บสาหัสได้

หมายเหตุ: เครื่องตัดหญ้าจะไม่เริ่มทำงานหากไม่กดปุ่มสวิตช์ แม้ว่าจะดึงก้านสวิตช์แล้วก็ตาม

หมายเหตุ: เครื่องตัดหญ้าอาจไม่เริ่มทำงานเนื่องจากทำงานหนักเกินไปเมื่อคุณพยายามตัดหญ้าที่ยาวหรือแน่น ในกรณีนี้ ให้เพิ่มความสูงในการตัดหญ้า

เครื่องตัดหญ้าที่มีสวิตช์ล๊อคและสวิตช์มือจับ หากคุณสังเกตเห็นสิ่งผิดปกติกับสวิตช์ใดสวิตช์หนึ่ง ให้หยุดการทำงานทันทีและส่งไปตรวจสอบที่ศูนย์บริการที่ผ่านการรับรองจาก Makita ที่อยู่ใกล้ที่สุด

1. ดัดตั้งดัลบ์แบตเตอรี่ ใส่กุญแจล๊อคเข้าไปในสวิตช์ล๊อค และปิดฝาครอบแบตเตอรี่

▶ **หมายเลข 6:** 1. ดัลบ์แบตเตอรี่ 2. กุญแจล๊อค

2. กดปุ่มสวิตช์ค้างไว้

3. จับมือจับด้านบนและดึงก้านสวิตช์

▶ **หมายเลข 7:** 1. ปุ่มสวิตช์ 2. ก้านสวิตช์

4. ปล่อยปุ่มสวิตช์ทันทีที่มอเตอร์เริ่มหมุน เครื่องตัดหญ้าจะทำงานจนกว่าคุณจะปล่อยก้านสวิตช์

5. ปล่อยก้านสวิตช์เพื่อหยุดมอเตอร์

การปรับความสูงของการตัดหญ้า

คำเตือน: ห้ามวางมือหรือขาไว้ใต้เครื่องตัดหญ้าขณะปรับความสูงของการตัดหญ้า

คำเตือน: ตรวจสอบว่าก้านพดกับร่องก่อนทำงานเสมอ

ความสูงของการตัดสามารถปรับได้ในระยะระหว่าง 20 mm - 75 mm

1. ถอดกุญแจล๊อค

2. ดึงก้านปรับความสูงในการตัดออกนอกตัวเครื่องตัดหญ้าและขยับก้านไปที่ความสูงในการตัดที่ต้องการ

▶ **หมายเลข 8:** 1. ก้านปรับความสูงในการตัด

หมายเหตุ: ควรใช้ตัวเลขความสูงในการตัดเป็นแนวทางการความสูงของสนามหญ้าจริงอาจแตกต่างจากความสูงที่ตั้งค่าไว้เล็กน้อย ขึ้นอยู่กับสภาพของสนามหญ้าหรือพื้นดิน

หมายเหตุ: ลองทดสอบตัดหญ้าในที่แจ้งเพื่อให้ได้ความสูงที่ต้องการ

ตัวบ่งชี้ระดับหญ้า

▶ **หมายเลข 9:** 1. ตัวบ่งชี้ระดับหญ้า

ตัวบ่งชี้ระดับหญ้าแสดงปริมาณหญ้าที่ตัดไปแล้ว

- เมื่อตะกร้าเก็บหญ้ายังไม่เต็ม ตัวบ่งชี้จะลอยอยู่ระหว่างตัดหญ้า
- เมื่อตะกร้าเก็บหญ้าเต็มแล้ว ตัวบ่งชี้จะไม่ลอยระหว่างตัดหญ้า ในกรณีนี้ ให้หยุดตัดหญ้าทันทีและเทหญ้าออกจากตะกร้า หลังจากเทหญ้าออกจากตะกร้าแล้วให้ล้างตะกร้าเพื่อให้รูตะขาระบายอากาศได้

หมายเหตุ: ตัวบ่งชี้นี้เป็นแนวทางการคร่าวๆ ตัวบ่งชี้นี้อาจไม่ทำงานอย่างถูกต้อง ขึ้นอยู่กับสภาพภายในตะกร้า

การประกอบ

คำเตือน: ตรวจสอบให้แน่ใจว่าได้ถอดกุญแจล๊อคและดัลบ์แบตเตอรี่ออกก่อนดำเนินการใดๆ กับเครื่องตัดหญ้า การไม่ปิดถอดกุญแจล๊อคและดัลบ์แบตเตอรี่ออกอาจจะเป็นสาเหตุของการบาดเจ็บเนื่องจากการเริ่มทำงานโดยบังเอิญได้

คำเตือน: ห้ามเริ่มทำงานเครื่องตัดหญ้าหากยังไม่ได้ประกอบเครื่องอย่างสมบูรณ์ การใช้งานเครื่องที่ไม่ได้ประกอบอย่างสมบูรณ์ อาจส่งผลให้ได้รับบาดเจ็บสาหัสจากการเริ่มทำงานโดยไม่ได้ตั้งใจได้

การติดตั้งฝาครอบแบตเตอรี่

คำเตือน: อย่าใส่กุญแจล๊อคและดัลบ์แบตเตอรี่ก่อนติดตั้งฝาครอบแบตเตอรี่ มิฉะนั้น อาจก่อให้เกิดการบาดเจ็บร้ายแรงได้

ติดตั้งฝาครอบแบตเตอรี่ให้แน่นก่อนทำงาน ฝาครอบแบตเตอรี่ป้องกันเครื่องตัดหญ้าและดัลบ์แบตเตอรี่จากโคลนฝุ่น และน้ำ

1. วางฝาครอบแบตเตอรี่โดยให้ส่วนที่ยื่นออกมาบนเครื่องตัดหญ้าตรงกับรูบนฝาครอบแบตเตอรี่

▶ **หมายเลข 10:** 1. ส่วนที่ยื่นออกมา 2. รู 3. ฝาครอบแบตเตอรี่

2. วางมือไว้ตรงกลางฝาครอบแบตเตอรี่และกดฝา

▶ หมายเลข 11

3. ก่อนเริ่มทำงานครั้งแรก ให้ตรวจสอบว่าติดตั้งจุดหมุนของฝาครอบแบตเตอรี่อย่างถูกต้องแล้ว ถ้าติดตั้งฝาครอบแบตเตอรี่อย่างถูกต้องแล้ว ฝาครอบจะไม่เปิดจนกว่าก้านล็อกฝาครอบแบตเตอรี่จะถูกดึง

▶ หมายเลข 12: 1. จุดหมุน 2. ก้านล็อกฝาครอบแบตเตอรี่

การติดตั้งมือจับ

ข้อสังเกต: เมื่อติดตั้งมือจับ ให้วางสายไฟโดยไม่ให้พันเข้ากับสิ่งอื่นที่อยู่ระหว่างมือจับ ถ้าสายไฟเสียหาย สวิตช์เครื่องตัดหญ้าอาจไม่ทำงาน

1. เลื่อนปลายทั้งสองข้างของมือจับด้านล่างเข้าไปในร่องของเครื่องตัดหญ้า แล้วขันสกรูกันคลายให้แน่น

▶ หมายเลข 13: 1. สกรูกันคลาย 2. มือจับด้านล่าง

2. ปรับรูสกรูของมือจับด้านบนและมือจับด้านล่างให้ตรงกัน ยึดไว้ด้วยสกรูและน็อตกันคลาย

▶ หมายเลข 14: 1. แหวนเกลียวกันคลาย 2. สกรูกันคลาย

หมายเหตุ: ยึดมือจับด้านบนให้แน่นเพื่อให้มือจับไม่ตกใส่มือของคุณ

3. ดัดที่ยึดเข้ากับมือจับ วางสายจ่ายไฟตามที่แสดงในภาพ

▶ หมายเลข 15: 1. ที่ยึด

การถอดหรือการติดตั้งใบมีดเครื่องตัดหญ้า

คำเตือน: ถอดกุญแจล็อกและตัดแบตเตอรี่เมื่อถอดหรือติดตั้งใบมีดเสมอ การไม่ถอดกุญแจล็อกและตัดแบตเตอรี่ออกอาจจะเป็นสาเหตุของการบาดเจ็บร้ายแรงได้

คำเตือน: ใบมีดจะยังหมุนอยู่อีกสองสามวินาทีหลังจากปล่อยสวิตช์แล้ว อย่าเริ่มการทำงานจนกว่าใบมีดจะหยุดสนิทแล้ว

คำเตือน: ใส่ถุงมือขณะจับใบมีดเสมอ

วิธีถอดใบมีดเครื่องตัดหญ้า ให้ทำตามขั้นตอนดังนี้

1. วางเครื่องตัดหญ้าตะแคงเพื่อให้ก้านปรับความสูงของการตัดอยู่ด้านบน

2. หากต้องการล็อกการหมุนของใบมีด ให้ใส่ไขควงหรือเครื่องมือที่คล้ายกันลงไปในรูของฐานใบมีด

3. หมุนสลักเกลียวทวนเข็มนาฬิกาด้วยประแจ

▶ หมายเลข 16: 1. ใบมีดเครื่องตัดหญ้า 2. ไขควง 3. ประแจ

4. ถอดสลักเกลียว แกนตัวนอก ใบมีดเครื่องตัดหญ้า และแกนตัวในตามลำดับ

▶ หมายเลข 17: 1. แกนตัวใน 2. ลูกศรชี้ทิศทางการหมุน 3. แกนตัวนอก 4. สลักเกลียว 5. ใบมีดเครื่องตัดหญ้า

เมื่อต้องการติดตั้งใบมีดเครื่องตัดหญ้า ให้ปฏิบัติตามขั้นตอนการถอด

คำเตือน: ติดตั้งใบมีดอย่างระมัดระวัง ใบมีดมีด้านบน/ด้านล่าง วางใบมีดให้ลูกศรชี้ทิศทางการหมุนหันออกด้านนอก

คำเตือน: ชันสลักเกลียวตามเข็มนาฬิกาให้แน่นเพื่อยึดใบมีด

คำเตือน: ตรวจสอบให้แน่ใจว่าได้ติดตั้งใบมีดและส่วนที่ยึดไว้อย่างถูกต้องและขันให้แน่นแล้ว

คำเตือน: เมื่อคุณเปลี่ยนใบมีด ให้ทำตามคำแนะนำที่ให้ไว้ในคู่มือการใช้งานนี้เสมอ

การติดตั้งตะกร้าเก็บหญ้า

1. ถอดกุญแจล็อก

2. ยกที่ป้องกันด้านหลังของตัวเครื่องตัดหญ้า

▶ หมายเลข 18

3. เกี่ยวตะกร้าเก็บหญ้าไว้บนร่องของตัวเครื่องตัดหญ้า ดังที่แสดงในภาพ

▶ หมายเลข 19: 1. ขอบเกี่ยว 2. ร่อง 3. ตะกร้าเก็บหญ้า

การใช้งาน

การตัดหญ้า

คำเตือน: ก่อนตัดหญ้า ให้กำจัดแห้งไม้และหินออกจากพื้นที่ตัดหญ้า นอกจากนั้น ให้กำจัดวัชพืชจากพื้นที่ตัดหญ้าก่อน

คำเตือน: ใส่แว่นตานิรภัยหรือแว่นนิรภัยที่มีที่ป้องกันด้านข้างเมื่อใช้งานเครื่องตัดหญ้า

▶ หมายเลข 20

จับมือจับของเครื่องตัดหญ้าให้มั่นคงด้วยทั้งสองมือขณะตัดหญ้า

ขอบด้านนอกของล้อหน้าเป็นแนวทางบอกความกว้างในการตัด ใช้ขอบด้านนอกของล้อหน้าสองล้อเป็นแนวทางตัด หนี้อเป็นทางโดยทับครึ่งหนึ่งหรือหนึ่งส่วนสามของแนวเส้นที่ตัดหญ้าไปแล้ว เพื่อให้ตัดหญ้าในสนามได้เท่ากัน ตรวจสอบหญ้าที่ตัดได้ในตะกร้าเก็บหญ้าเป็นระยะ เทหญ้าออกจากตะกร้าก่อนตะกร้าเต็ม ก่อนทำการตรวจสอบเป็นระยะ ให้อายุเครื่องตัดหญ้าแล้วจึงถอดกุญแจล็คและดับสวิตช์

หมายเหตุ: การใช้เครื่องตัดหญ้าที่ตะกร้าเก็บหญ้าเต็มจะทำให้ใบมีดไม่หมุนอย่างราบรื่นและทำให้มอเตอร์ทำงานโหดเป็นพิเศษ ซึ่งอาจทำให้มอเตอร์เสียหายได้

การตัดสนามหญ้าที่ยาว

อย่าพยายามตัดหญ้ายาวให้หมดภายในครั้งเดียว แต่ตัดหญ้าหลาย ๆ ครั้ง เว้นระยะเวลาไว้หนึ่งหรือสองวันระหว่างการตัดแต่ละครั้งจนกว่าสนามหญ้าจะสั้นเท่ากัน

หมายเหตุ: การตัดหญ้ายาวให้สั้นทั้งหมดภายในครั้งเดียว อาจทำให้หญ้าตายได้ หญ้าที่ถูกตัดไปแล้วอาจอดต้นอยู่ในเครื่องตัดหญ้า

การเทหญ้าออกจากตะกร้าเก็บหญ้า

คำเตือน: หากต้องการลดความเสี่ยงในการเกิดอุบัติเหตุ ให้ตรวจสอบความเสียหายหรือความแข็งแรงที่ลดลงของตะกร้าเก็บหญ้าเป็นประจำ เปลี่ยนตะกร้าเก็บหญ้าใหม่หากจำเป็น

1. ปลดยก้านสวิตช์
2. ถอดกุญแจล็ค
3. ยกที่ป้องกันด้านหลังและเอาตะกร้าเก็บหญ้าออกโดยจับที่มีมือจับ

▶ **หมายเลข 21:** 1. ที่ป้องกันด้านหลัง 2. ที่จับ

4. เทหญ้าออกจากตะกร้าเก็บหญ้า

การบำรุงรักษาและการเก็บรักษา

คำเตือน: ตรวจสอบให้แน่ใจเสมอว่าถอดกุญแจล็คและดับสวิตช์ออกจากเครื่องตัดหญ้าแล้วก่อนเก็บหรือพยายามทำการตรวจสอบหรือบำรุงรักษา

คำเตือน: ถอดกุญแจล็คเสมอเมื่อไม่ใช้งานเครื่องตัดหญ้า เก็บกุญแจล็คไว้ในที่ปลอดภัย ห่างจากมือเด็ก

คำเตือน: ใส่ถุงมือขณะทำการตรวจสอบหรือบำรุงรักษา

ข้อสังเกต: อย่าใช้น้ำมันเชื้อเพลิง เบนซิน ทินเนอร์ แอลกอฮอล์ หรือวัสดุประเภทเดียวกัน เนื่องจากอาจทำให้ลีสซิดจาง เสียรูป หรือแตกร้าวได้

การบำรุงรักษา

1. ถอดกุญแจล็ค เก็บไว้ในที่ปลอดภัย ห่างจากมือเด็ก
2. ทำความสะอาดเครื่องตัดหญ้าด้วยผ้าเปียกเท่านั้น อย่าพ่นสเปรย์หรือเทน้ำลงบนเครื่องตัดหญ้าขณะทำความสะอาด
3. วางเครื่องตัดหญ้าตะแคงและทำความสะอาดเศษหญ้า ถูกตัดที่สะสมอยู่ใต้เครื่องตัดหญ้า
4. ตรวจสอบความแน่นของน็อต สลักเกลียว ปุ่มหมุน สกรู ตัวขัน และอื่นๆ
5. ตรวจสอบความเสียหาย การแตก และการสึกหรอของชิ้นส่วนที่เคลื่อนไหว ต้องซ่อมแซมหรือเปลี่ยนชิ้นส่วนที่เสียหายหรือสูญหาย

การเก็บรักษา

คำเตือน: เมื่อถือหรือเก็บเครื่องตัดหญ้า อย่าจับมือจับที่พับไว้แต่ให้จับตามจับด้านหน้าของเครื่องตัดหญ้าแทน การถือมือจับที่พับอาจทำให้เกิดการบาดเจ็บร้ายแรงหรือความเสียหายต่อเครื่องตัดหญ้าได้

ก่อนเก็บเครื่องตัดหญ้า ให้ถอดดับสวิตช์ออกจากเครื่อง

เก็บเครื่องตัดหญ้าไว้ในที่ร่ม ในที่เย็น แห้ง และปิดล๊อคห้ามเก็บเครื่องตัดหญ้าและเครื่องชาร์จไว้ในสถานที่ที่มีอุณหภูมิสูงถึงหรือเกิน 40 °C (104 °F)

▶ **หมายเลข 22:** 1. ตามจับด้านบนหน้า 2. ตามจับด้านหลัง

1. คลายสกรูกันคลายและขยายมือจับด้านล่างออกไปทั้งสองด้าน ขยับมือจับลงและไปข้างหน้า ในตอนนี้ ให้จับมือจับด้านล่างไว้ให้แน่นเพื่อให้มือจับไม่ตกลงไปอีกด้านที่อยู่ไกลของเครื่องตัดหญ้า

▶ **หมายเลข 23:** 1. สกรูกันคลาย 2. มือจับด้านล่าง

2. คลายน็อตกันคลายและหมุนมือจับด้านบนกลับขณะขยายทั้งสองด้าน

▶ **หมายเลข 24:** 1. แหวนเกลียวกันคลาย 2. มือจับด้านบน

3. เก็บตะกร้าเก็บหญ้าไว้ระหว่างมือจับและตัวเครื่องตัดหญ้า

► หมายเลข 25: 1. ตะกร้าเก็บหญ้า

หมายเหตุ: เมื่อวางเครื่องตัดหญ้าในลักษณะตั้งขึ้น อย่าจับมือจับแต่ใช้ตามจับด้านหน้าของเครื่องตัดหญ้าแทน

เพื่อความปลอดภัยและน้ำเชื้อถือของผลิตภัณฑ์ ควรให้ศูนย์บริการหรือโรงงานที่ผ่านการรับรองจาก Makita เป็นผู้ดำเนินการซ่อมแซม บำรุงรักษาและทำการปรับตั้งอื่นๆ นอกจากนี้ให้ใช้อะไหล่ของแท้จาก Makita เสมอ

การแก้ไขปัญหา

ก่อนนำไปซ่อม ให้ทำการตรวจสอบด้วยตัวเองก่อน หากพบปัญหาที่ไม่มีอธิบายในคู่มือการใช้งาน อย่าพยายามถอดแยกเครื่องมือ แต่ให้นำไปซ่อมที่ศูนย์บริการหรือโรงงานที่ผ่านการรับรองจาก Makita และใช้ชิ้นส่วนอะไหล่ของ Makita

สภาวะความผิดปกติ	สาเหตุที่เป็นไปได้ (การทำงานผิดปกติ)	การแก้ไข
เครื่องตัดหญ้าไม่ทำงาน	ไม่ได้ติดตั้งสลับแบตเตอรี่สองขั้ว	ติดตั้งสลับแบตเตอรี่ที่ชาร์จไฟแล้ว
	ปัญหาแบตเตอรี่ (ไฟต่ำ)	ชาร์จสลับแบตเตอรี่ใหม่ หากการชาร์จแบตเตอรี่ใหม่ไม่ได้ผล ให้เปลี่ยนสลับแบตเตอรี่
	ไม่ได้ใส่กุญแจล็อก	ใส่กุญแจล็อก
มอเตอร์หยุดทำงานหลังจากใช้งานไปได้เล็กน้อย	ระดับการชาร์จของแบตเตอรี่ต่ำ	ชาร์จสลับแบตเตอรี่ใหม่ หากการชาร์จแบตเตอรี่ใหม่ไม่ได้ผล ให้เปลี่ยนสลับแบตเตอรี่
	ความสูงในการตัดต่ำเกินไป	เพิ่มความสูงในการตัด
มอเตอร์หมุนด้วยรอบความเร็วสูงสุดไม่ได้	สลับแบตเตอรี่ติดตั้งอย่างไม่ถูกต้อง	ติดตั้งสลับแบตเตอรี่ตามที่อธิบายในคู่มือการใช้งานนี้
	กำลังของแบตเตอรี่ต่ำลง	ชาร์จสลับแบตเตอรี่ใหม่ หากการชาร์จแบตเตอรี่ใหม่ไม่ได้ผล ให้เปลี่ยนสลับแบตเตอรี่
	ระบบขับเคลื่อนไม่ทำงานอย่างถูกต้อง	สอบถามศูนย์บริการที่ผ่านการรับรองจาก Makita ในท้องถิ่นให้ทำการซ่อมแซมให้
ใบมีดเครื่องตัดหญ้าไม่หมุน ⇒ หยุดเครื่องตัดหญ้าทันที!	สิ่งแปลกปลอม เช่น กิ่งไม้ ติดอยู่ที่ใบมีด	เอาสิ่งแปลกปลอมออก
	ระบบขับเคลื่อนไม่ทำงานอย่างถูกต้อง	สอบถามศูนย์บริการที่ผ่านการรับรองจาก Makita ในท้องถิ่นให้ทำการซ่อมแซมให้
การสั่นสะเทือนผิดปกติ ⇒ หยุดเครื่องตัดหญ้าทันที!	ใบมีดไม่สมดุล สึกหรือมาก หรือสึกหรอไม่เท่ากัน	เปลี่ยนใบมีด

อุปกรณ์เสริม

⚠ ข้อควรระวัง: ขอแนะนำให้ใช้เฉพาะอุปกรณ์เสริมหรืออุปกรณ์ต่อพ่วงเหล่านี้กับเครื่องมือ Makita ที่ระบุในคู่มือการใช้งานอุปกรณ์เสริมหรืออุปกรณ์ต่อพ่วงอื่นๆ อาจมีความเสี่ยงที่จะได้รับบาดเจ็บ ใช้อุปกรณ์เสริมหรืออุปกรณ์ต่อพ่วงตามวัตถุประสงค์ที่ระบุไว้เท่านั้น

หากต้องการทราบรายละเอียดเพิ่มเติมเกี่ยวกับอุปกรณ์เสริมเหล่านี้ โปรดสอบถามศูนย์บริการ Makita ใกล้บ้านคุณ

- ใบมีดเครื่องตัดหญ้า
- แบตเตอรี่และเครื่องชาร์จ Makita ของแท้

หมายเหตุ: อุปกรณ์บางรายการอาจจะรวมอยู่ในชุดเครื่องมือเป็นอุปกรณ์มาตรฐาน ซึ่งอาจแตกต่างกันไปในแต่ละประเทศ

Makita Corporation
3-11-8, Sumiyoshi-cho,
Anjo, Aichi 446-8502 Japan
www.makita.com

885453D379
EN, ZHCN, ID,
VI, TH
20191120