



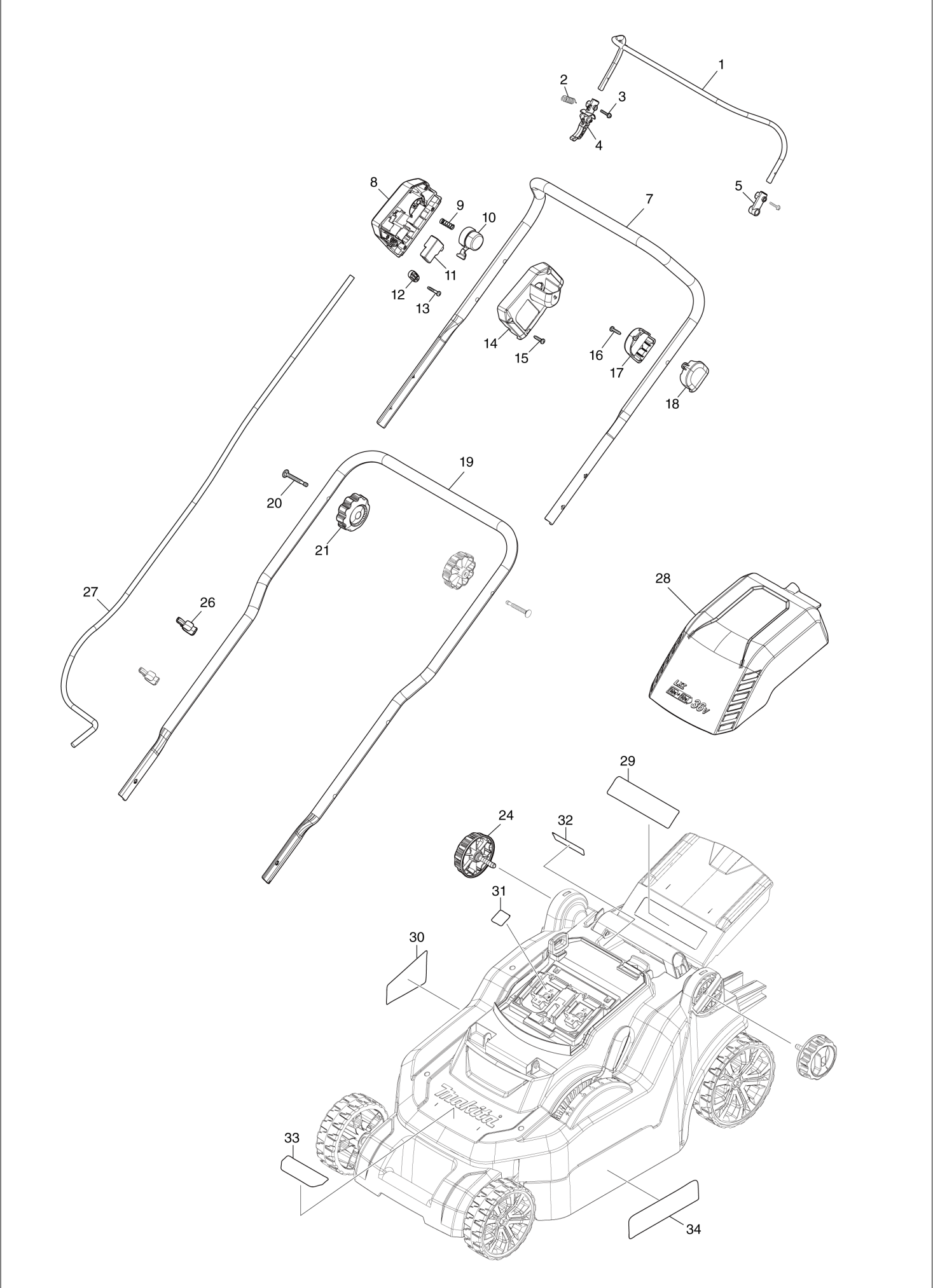
VN	VIETNAM
----	---------

Diagram / Parts List

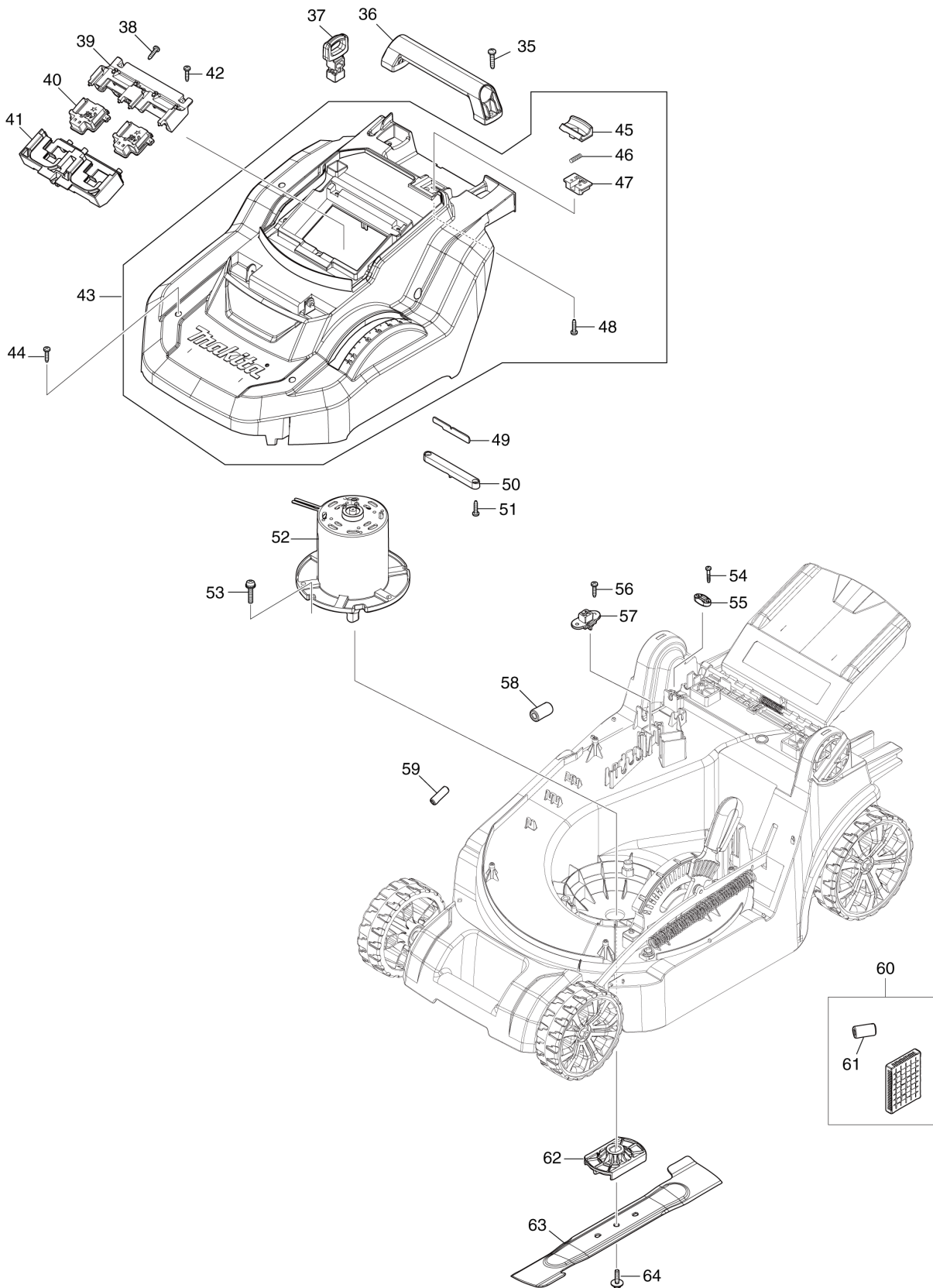
DLM382

380MM CORDLESS LAWN MOWER

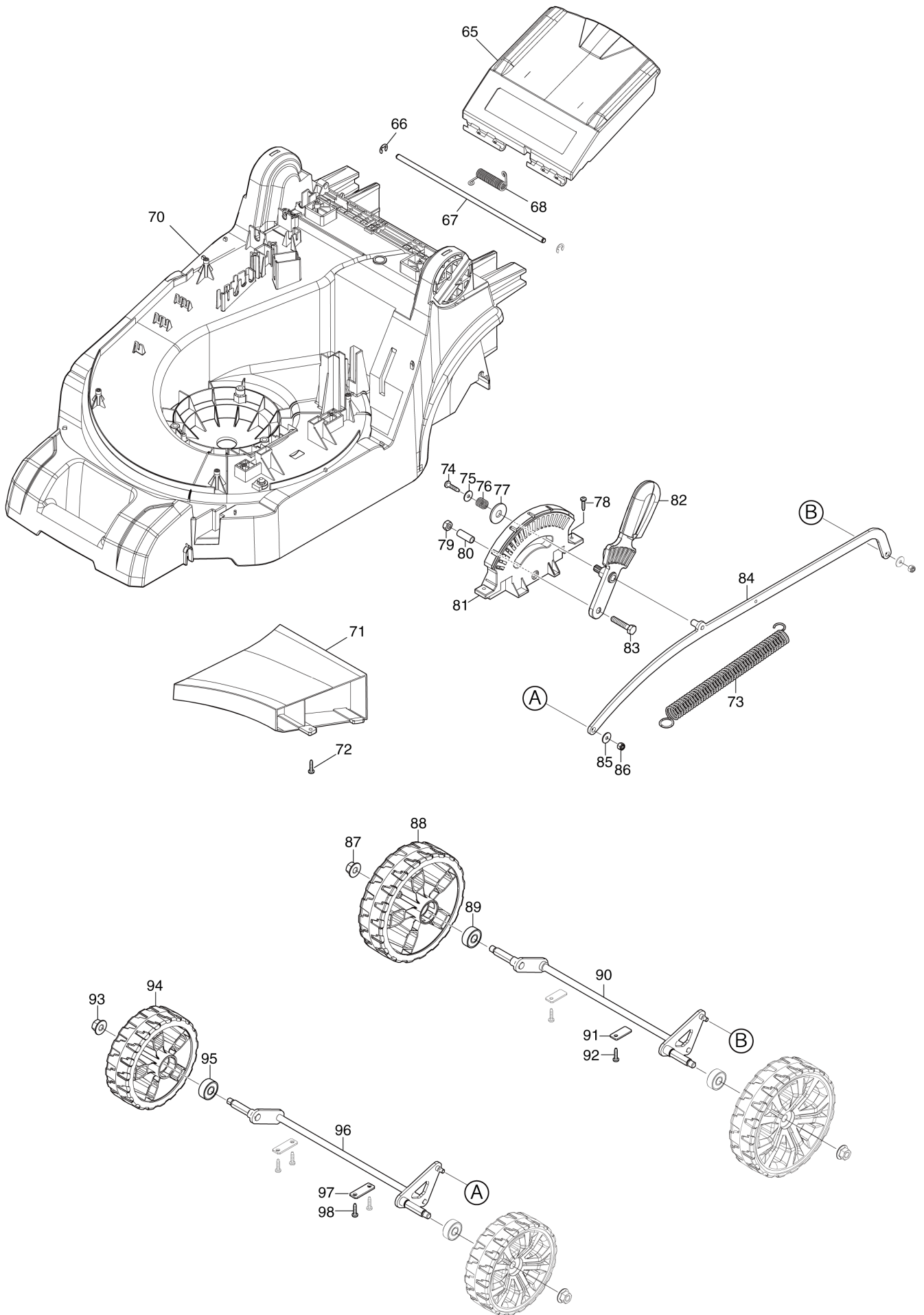
(VN) DLM382 / 380MM CORDLESS LAWN MOWER



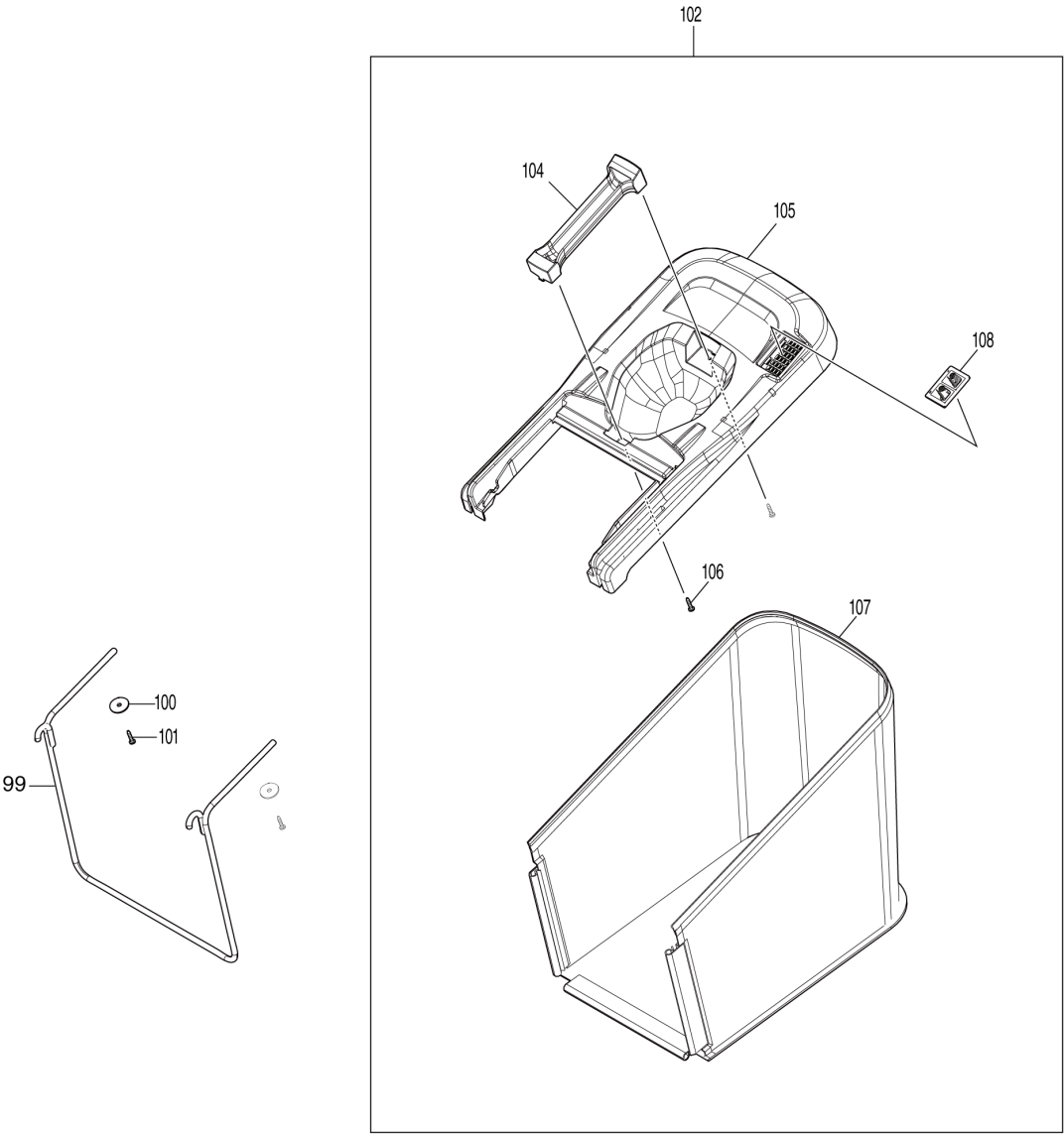
(VN) DLM382 / 380MM CORDLESS LAWN MOWER



(VN) DLM382 / 380MM CORDLESS LAWN MOWER



(VN) DLM382 / 380MM CORDLESS LAWN MOWER



VN	VIETNAM
-----------	----------------

DLM382 / 380MM CORDLESS LAWN MOWER

Item	Sub	Parts No.	Parts Description	Qty	I/C	E/C No.	Close No.	Remark
001		326636-0	SWITCH LEVER	1				
002		231876-6	TENSION SPRING 9	1				
003		911138-5	P.H.SCREW M4X20 WITH WR	2				
004		455075-8	LEVER	1				
005		455078-2	ARM	1				
007		143510-5	UPPER PIPE COMPLETE	1				
008		459804-1	SWITCH BOX	1				
009		233068-3	COMPRESSION SPRING 6	1				
010		455074-0	SWITCH BUTTON	1				
011		650730-9	SWITCH TG72BD-6	1				
012		687124-5	STRAIN RELIEF	1				
013		265999-8	TAPPING SCREW 4X25	2				
014		140N15-0	SWITCH BOX COVER COMPLETE K	1				
	C10	890374-5	INDICATION LABEL	1				
015		266326-2	TAPPING SCREW 4X18	4				
016		266326-2	TAPPING SCREW 4X18	1				
017		456352-1	SWITCH LEVER CASE COVER	1				
018		456351-3	SWITCH LEVER CASE	1				
019		327413-3	LOWER PIPE	1				
020		265A14-4	CUP H. SQUARE NECK BOLT M6X50	2				
021		264070-5	THUMB NUT M6	2				
024		266729-0	THUMB SCREW M8X35	2				
026		459809-1	HOLDER	2				
027		660393-3	POWER SUPPLY CORD	1				
028		140N21-5	BATTERY COVER COMPLETE E	1				
	C10	8005W1-7	CAUTION LABEL	1				
029		890375-3	CAUTION LABEL	1				
030		856L30-9	DLM382 NAME PLATE	1				
031		856L35-9	DLM382 SERIAL NO. LABEL	1				
032		8005W9-1	INDICATION LABEL	1				
033		8005W7-5	INDICATION LABEL	1				
034		8005W8-3	INDICATION LABEL	1				
035		266459-3	TAPPING SCREW 5X25	2				
036		273675-0	GRIP A	1				
037		643890-4	KEY	1				
038		266326-2	TAPPING SCREW 4X18	3				
039		183N35-1	TERMINAL HOUSING SET	1				
	C10	263005-3	RUBBER PIN 6	4				
	D10		INC. 41					
040		644809-6	TERMINAL	2				
041		183N35-1	TERMINAL HOUSING SET	1				
	C10	263005-3	RUBBER PIN 6	4				
	D10		INC. 39					
042		266326-2	TAPPING SCREW 4X18	3				
043		127393-1	COWLING M ASSEMBLY	1				
	D10		INC. 45-48					
044		266326-2	TAPPING SCREW 4X18	4				
045		453250-0	LOCK LEVER	1				
046		233173-6	COMPRESSION SPRING 4	1			DA533	
046-1		LC233173-6	COMPRESSION SPRING 4	1	O	DA533		
047		453251-8	LOCK LEVER SUPPORT	1				
048		266326-2	TAPPING SCREW 4X18	2				
049		620B91-3	LED CIRCUIT	1				
050		455070-8	LED COVER	1				
051		266326-2	TAPPING SCREW 4X18	2				
052A		629A17-6	DC MOTOR	1		D3555		
052B		629A17-6	DC MOTOR	1		D3555		
052C		629A17-6	DC MOTOR	1				
053		266774-5	+ PAN HEAD SCREW M6X30 WITH WR	3				
054		265999-8	TAPPING SCREW 4X25	2				
055		687124-5	STRAIN RELIEF	1				
056		266326-2	TAPPING SCREW 4X18	2				
057		638946-6	LEAD UNIT	1				
060		632P18-5	CONTROLLER UNIT	1				
	C10	654208-4	RECEPTACLE	1				

A:DLM382Z(N)
 B:DLM382PT2(H)
 C:DLM382CM2(H)

Interchange
 O : Yes
 X : No
 < : the new part can be substituted for the current.
 > : the current part can be substituted for the new.
 S : Interchangeable as a set.

