



VN	VIETNAM
----	---------

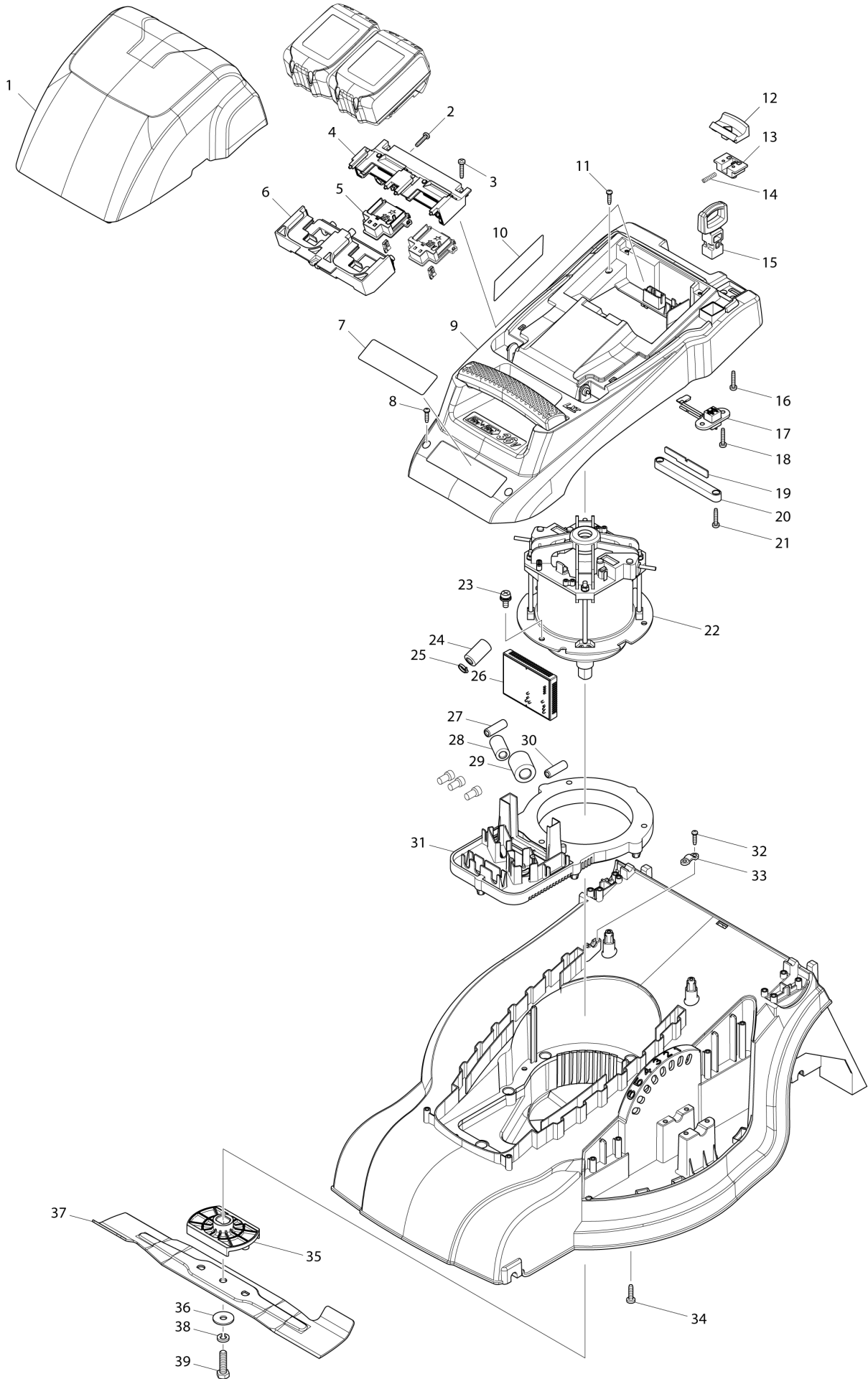
# Diagram / Parts List

**DLM380**

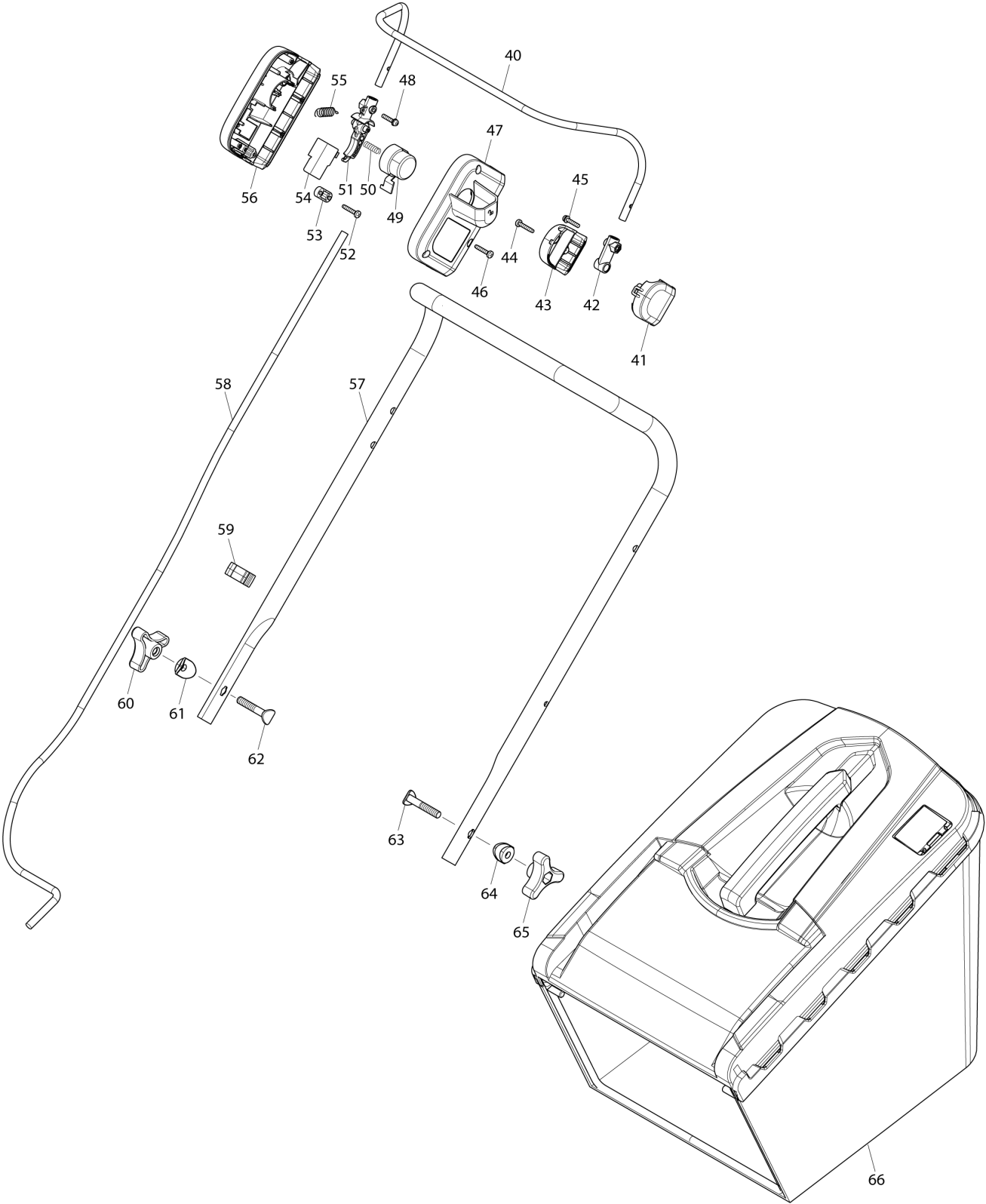
**380MM CORDLESS LAWN MOWER**



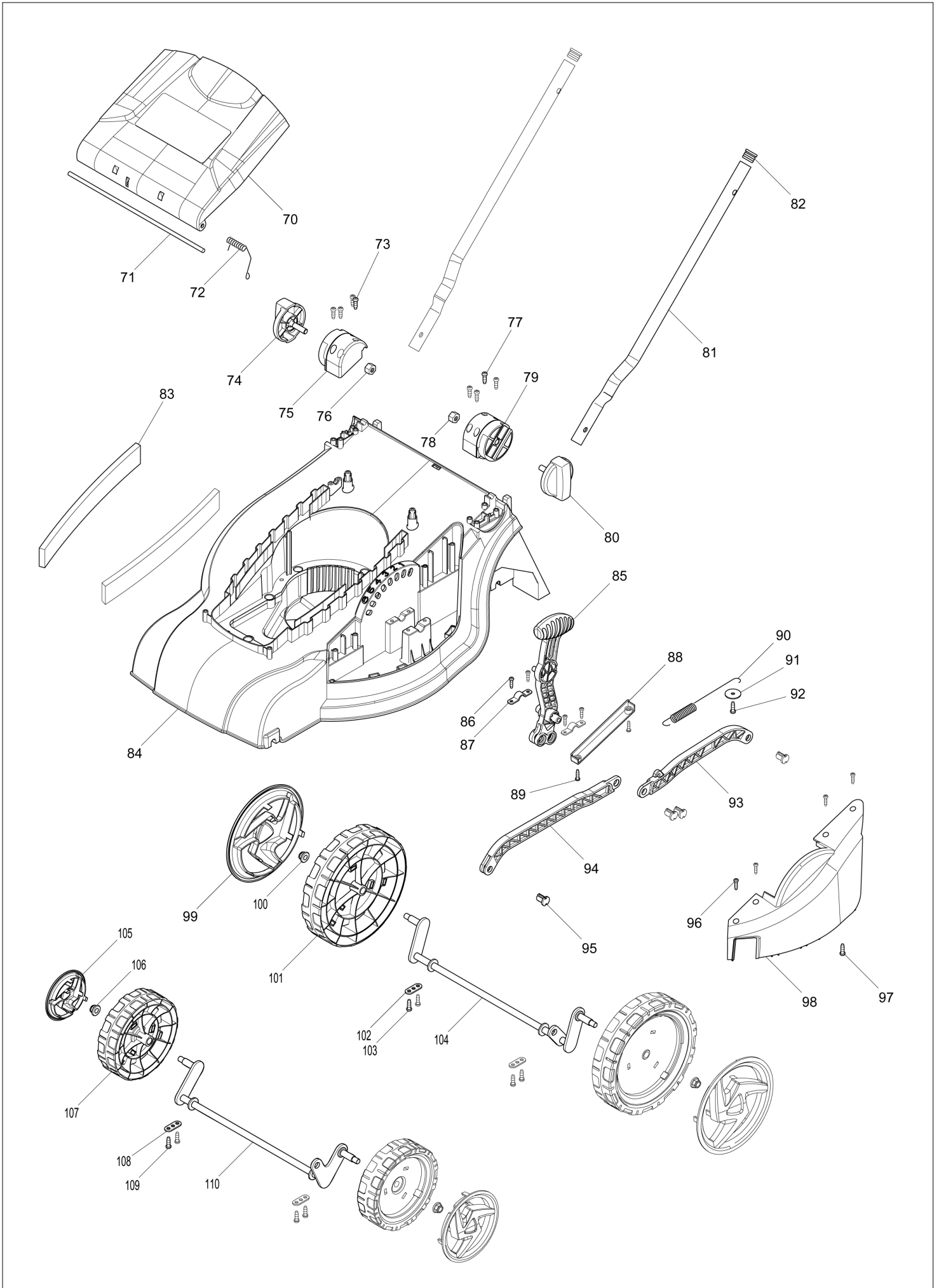
(VN) DLM380 / 380MM CORDLESS LAWN MOWER



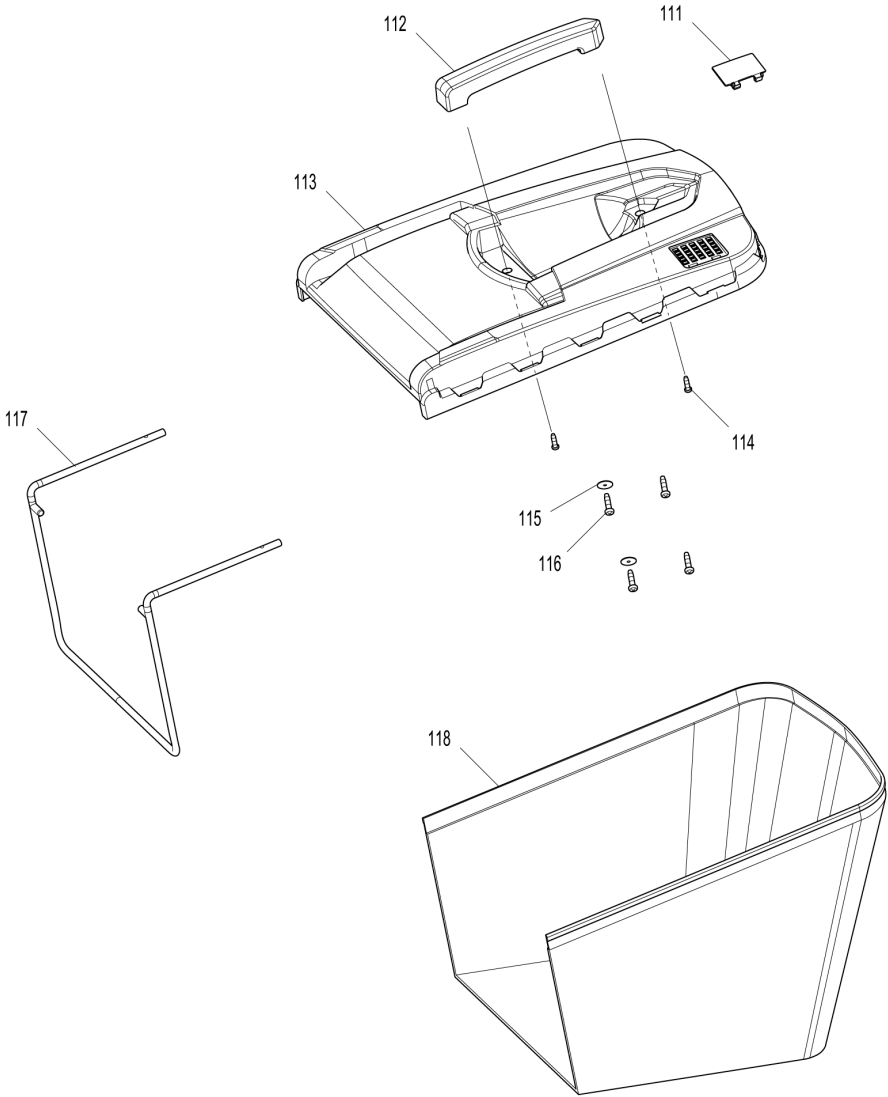
(VN) DLM380 / 380MM CORDLESS LAWN MOWER



# (VN) DLM380 / 380MM CORDLESS LAWN MOWER



(VN) DLM380 / 380MM CORDLESS LAWN MOWER



<b>VN</b>	<b>VIETNAM</b>
-----------	----------------

### DLM380 / 380MM CORDLESS LAWN MOWER

Item	Sub	Parts No.	Parts Description	Qty	I/C	E/C No.	Close No.	Remark
001		142585-1	BATTERY COVER COMPLETE E	1				
	C10	263005-3	RUBBER PIN 6	1				
	C20	890380-0	CAUTION LABEL	1				
002		266424-2	TAPPING SCREW 4X20	3				
003		266424-2	TAPPING SCREW 4X20	3				
004		187926-4	TERMINAL HOUSING SET	1				
	C10	263005-3	RUBBER PIN 6	4				
	D10		INC. 6					
005		644808-8	TERMINAL	2				
006		187926-4	TERMINAL HOUSING SET	1				
	C10	263005-3	RUBBER PIN 6	4				
	D10		INC. 4					
007		803J08-1	MAKITA LOGO LABEL	1				
008		266890-3	TAPPING SCREW 4X16	2				
009		142591-6	COWLING COMPLETE	1				
010		815M03-7	DLM380 NAME PLATE	1				
011		266890-3	TAPPING SCREW 4X16	2				
012		453250-0	LOCK LEVER	1				
013		453251-8	LOCK LEVER SUPPORT	1				
014		233173-6	COMPRESSION SPRING 4	1				
015		643890-4	KEY	1				
016		266424-2	TAPPING SCREW 4X20	2				
017		638946-6	LEAD UNIT	1				
018		266424-2	TAPPING SCREW 4X20	2				
019		620278-5	LED CIRCUIT	1				
020		455070-8	LED COVER	1				
021		266424-2	TAPPING SCREW 4X20	2				
022		629118-4	DC MOTOR	1			C7883	
022-1		629433-6	DC MOTOR	1	S	C7883		
023		266892-9	+ PAN HEAD SCREW M6X16 WITH WR	3			C7883	
023-1		265A53-4	+ PAN HEAD SCREW M6X22 WITH WR	3	S	C7883		
026		620277-7	CONTROLLER	1				
031		455064-3	MOTOR BRACKET	1				
032A		266890-3	TAPPING SCREW 4X16	2			C0596	
032-1A		266424-2	TAPPING SCREW 4X20	2	S	C0596		
032-1B		266424-2	TAPPING SCREW 4X20	2				
033		687A88-9	CORD CLAMP	1				
034		266420-0	TAPPING SCREW 5X20	6				
035		455130-6	BLADE SUPPORT	1				
036		253852-0	FLAT WASHER 8	1				
037		196863-1	BLADE 380 SET	1				
038		942201-3	SPRING WASHER 8	1				
039		266889-8	HEX BOLT M8X30	1				
040		332106-9	SWITCH LEVER	1				
041		455076-6	SWITCH LEVER CASE	1				
042		455078-2	ARM	1				
043		455077-4	SWITCH LEVER CASE COVER	1				
044		266424-2	TAPPING SCREW 4X20	1				
045		911138-5	PAN HEAD SCREW M4X20	1				
046		266424-2	TAPPING SCREW 4X20	4				
047		455073-2	SWITCH BOX COVER	1				
048		911138-5	PAN HEAD SCREW M4X20	1				
049		455074-0	SWITCH BUTTON	1				
050		233068-3	COMPRESSION SPRING 6	1				
051		455075-8	LEVER	1				
052		266424-2	TAPPING SCREW 4X20	2				
053		687124-5	STRAIN RELIEF	1				
054		650730-9	SWITCH TG72BD-6	1				
055		231876-6	TENSION SPRING 9	1				
056		455072-4	SWITCH BOX	1				
057		332109-3	UPPER HANDLE	1				
058		660480-8	POWER SUPPLY CORD #16-3-0.95	1				
059		455071-6	CORD HOLDER	1				
060		252657-5	THUMB NUT M8	1				
061		455131-4	CURL WASHER 8	1				

A:DLM380Z(N)  
B:DLM380PM2(H)

Interchange  
O : Yes  
X : No  
< : the new part can be substituted for the current.  
> : the current part can be substituted for the new.  
S : Interchangeable as a set.

<b>VN</b>	<b>VIETNAM</b>
-----------	----------------

### DLM380 / 380MM CORDLESS LAWN MOWER

Item	Sub	Parts No.	Parts Description	Qty	I/C	E/C No.	Close No.	Remark
062		266893-7	FLAT HEAD BOLT M8X45	1				
063		266893-7	FLAT HEAD BOLT M8X45	1				
064		455131-4	CURL WASHER 8	1				
065		252657-5	THUMB NUT M8	1				
066		126429-3	GRASS CATCHER ASSEMBLY M	1				
070		DA00000348	REAR COVER ASSEMBLY	1				
071		DA00000332	REAR FLAP HINGE ROD	1				
072		DA00000352	REAR FLAP TORSION SPRING	1				
073		DA00000326	TAPPING SCREW ST5X16	4				
074A		DA00000327	THUMB SCREW M8	1			Y07499	
074-1A		DA00001237	THUMB SCREW M8	1	X	Y07499		
074-1B		DA00001237	THUMB SCREW M8	1				
075		DA00000350	RIGHT FIXING BOARD OF HANDLE	1				
076		DA00000343	HEXAGON NUT	1				
077		DA00000326	TAPPING SCREW ST5X16	4				
078		DA00000343	HEXAGON NUT	1				
079		DA00000344	LEFT FIXING BOARD OF HANDLE	1				
080A		DA00000327	THUMB SCREW M8	1			Y07499	
080-1A		DA00001237	THUMB SCREW M8	1	X	Y07499		
080-1B		DA00001237	THUMB SCREW M8	1				
081		DA00000345	LOWER HANDLE BAR	2				
082		DA00000346	PIPE PLUG	2				
083		DA00000354	AIR FILTER	2				
084A		DA00000334	DECK	1			A7264	
084-1A		DA00000778	DECK	1	<	A7264	C0596	
084-2A		DA00001245	DECK	1	S	C0596		
084-2B		DA00001245	DECK	1				
085		DA00000339	HEIGHT ADJUSTMENT HANDLE	1				
086		266890-3	TAPPING SCREW 4X16	4				
087		DA00000338	RETAINER	2				
088		DA00000337	GRASS-PROOF STRAP	1				
089		266890-3	TAPPING SCREW 4X16	2				
090		DA00000353	HEIGHT ADJUST SUPPORT SPRING	1				
091		DA00000347	WASHER	1				
092		DA00000326	TAPPING SCREW ST5X16	1				
093		DA00000341	HEIGHT ADJUST RINK ROD REAR	1				
094		DA00000340	HEIGHT ADJUST RINK ROD FRONT	1				
095		DA00000333	CONNECTION ROD PIN	4				
096		266890-3	TAPPING SCREW 4X16	4				
097		DA00000326	TAPPING SCREW ST5X16	1				
098		DA00000351	SIDE DISCHARGE COVER OF DECK	1				
099		DA00000331	7.5" WHEEL COVER	2				
100		DA00000342	HEXAGON LOCKING NUT	2				
101		DA00000330	7.5" WHEEL ASSEMBLY	2				
102A		DA00000335	RETAINER PLATE	2			A8199	
102-1A		161373-7	PLATE	1	<	A8199		
102-1B		161373-7	PLATE	1				
103		DA00000326	TAPPING SCREW ST5X16	4				
104		DA00000349	REAR AXLE	1				
105		DA00000329	5.5" WHEEL COVER	2				
106		DA00000342	HEXAGON LOCKING NUT	2				
107		DA00000328	5.5" WHEEL ASSEMBLY	2				
108		DA00000335	RETAINER PLATE	2				
109		DA00000326	TAPPING SCREW ST5X16	4				
110		DA00000336	FRONT AXLE	1				
111		DA00000360	LEVEL INDICATOR	1				
112		DA00000359	GRASS CATCHER HANDLE	1				
113		DA00000362	GRASS CATCHER UPPER BORAD	1				
114		DA00000326	TAPPING SCREW ST5X16	2				
115		DA00000361	PRESSING PLATE	2				
116		266890-3	TAPPING SCREW 4X16	4				
117		DA00000358	GRASS CATCHER FRAME	1				
118		DA00000357	GRASS CATCHER	1				
125		684062-2	VINYL TUBE 5.2-150	2	S	C7883	C8972	
125-1		684641-6	VINYL TUBE 8.38-150	2	O	C8972		

A:DLM380Z(N)  
B:DLM380PM2(H)

Interchange  
O : Yes  
X : No  
< : the new part can be substituted for the current.  
> : the current part can be substituted for the new.  
S : Interchangeable as a set.

