



VN	VIETNAM
----	---------

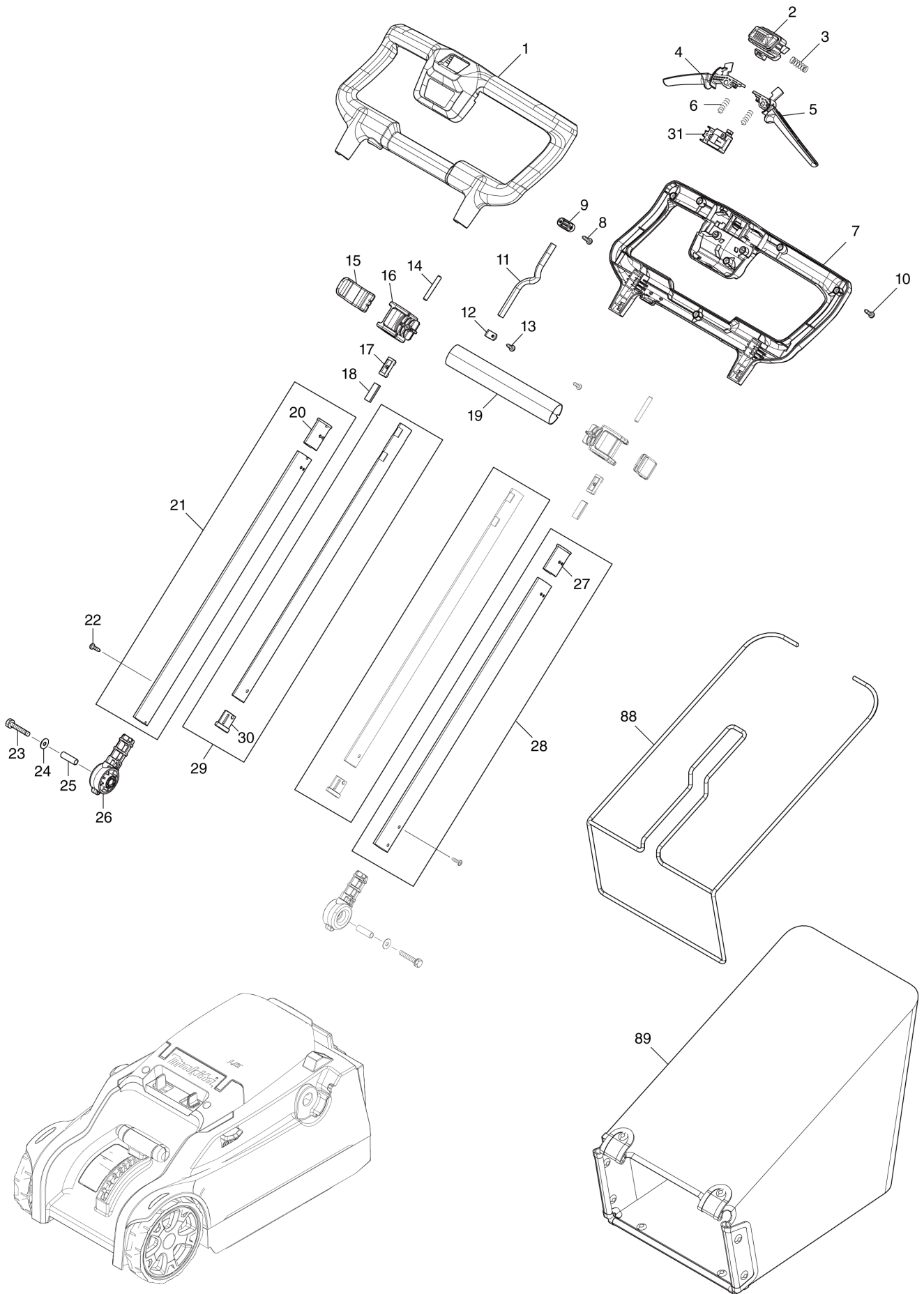
Diagram / Parts List

DLM230

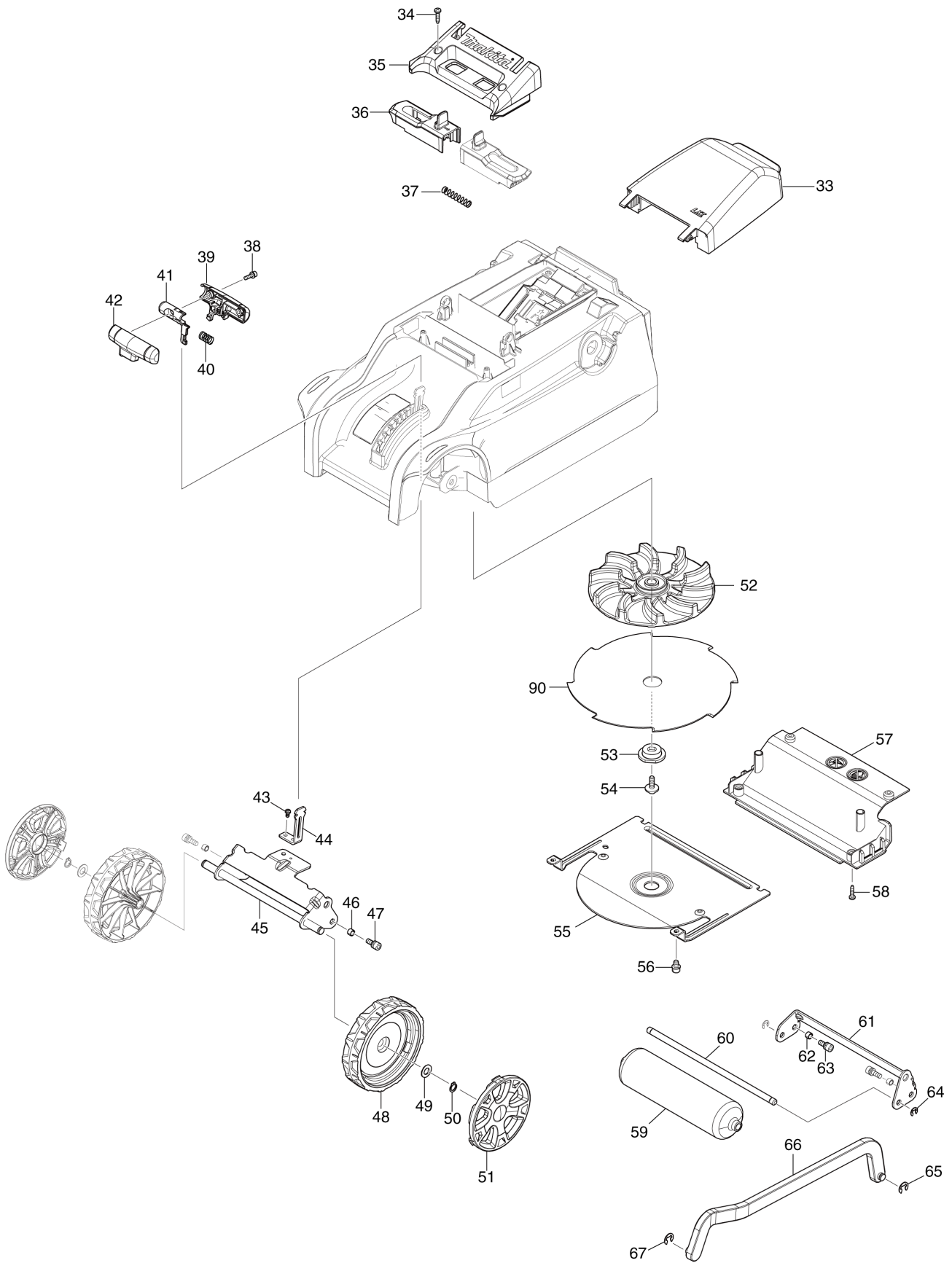
230MM CORDLESS LAWN MOWER



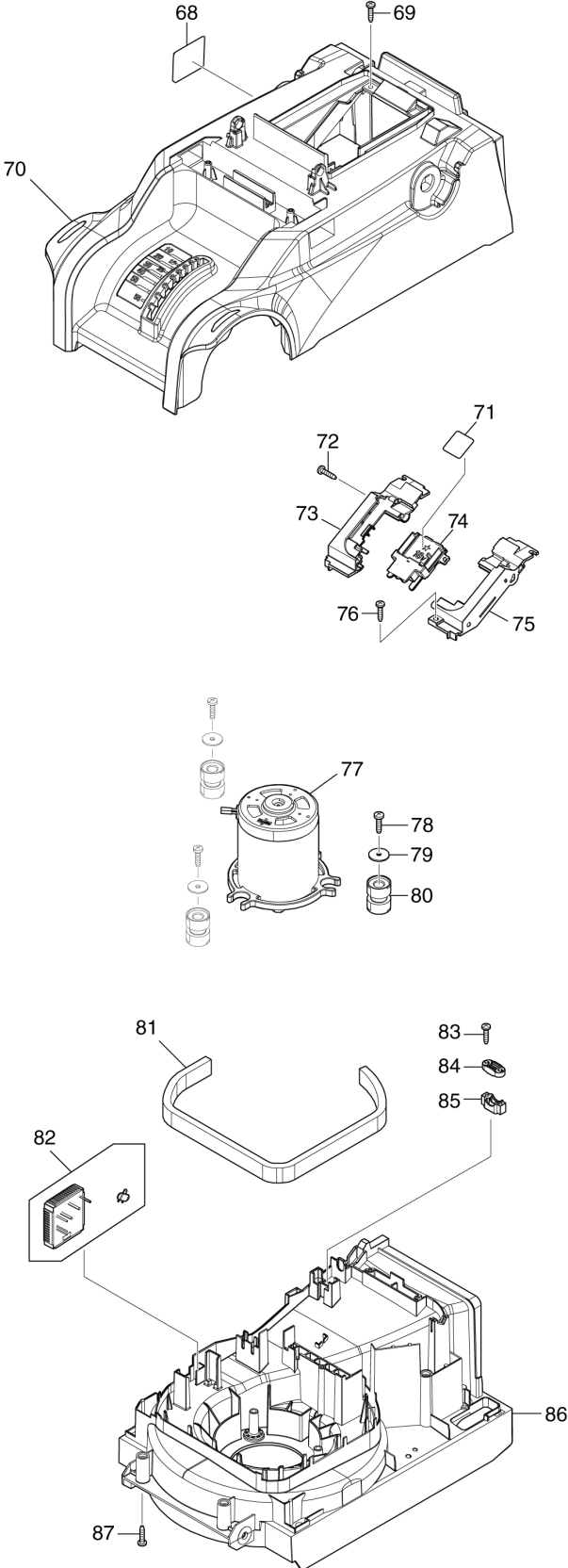
(VN) DLM230 / 230MM CORDLESS LAWN MOWER



(VN) DLM230 / 230MM CORDLESS LAWN MOWER



(VN) DLM230 / 230MM CORDLESS LAWN MOWER



VN	VIETNAM
-----------	----------------

DLM230 / 230MM CORDLESS LAWN MOWER

Item	Sub	Parts No.	Parts Description	Qty	I/C	E/C No.	Close No.	Remark
001		183W04-6	GRIP SET	1				
	C10	8047X1-8	INDICATION LABEL	1				
	D10		INC. 7					
002		413D87-1	LOCK OFF BUTTON	1				
003		233011-2	COMPRESSION SPRING 8	1				
004		413D86-3	SWITCH LEVER R	1				
005		413D85-5	SWITCH LEVER L	1				
006		233382-7	COMPRESSION SPRING 6	2				
007		183W04-6	GRIP SET	1				
	C10	8047X1-8	INDICATION LABEL	1				
	D10		INC. 1					
008		266326-2	TAPPING SCREW 4X18	2				
009		687124-5	STRAIN RELIEF	1			DG445	
009-1		687149-9	STRAIN RELIEF	1	<	DG445		
010		266326-2	TAPPING SCREW 4X18	10				
011		699191-8	POWER SUPPLY CORD UNIT	1				
012		687049-3	STRAIN RELIEF	1				
013		266192-7	TAPPING SCREW 4X14	2				
014		951178-1	SPRING PIN 5-40	2				
015		452572-5	LOCK LEVER	2				
016		413D95-2	PIPE HOLDER	2				
017		452580-6	HOLDER	2				
018		424391-9	LOCK RUBBER	2				
019		331935-7	CENTER PIPE	1				
020		412725-8	UPPER STOPPER R	1				
021		136680-7	LOWER PIPE R ASS'Y	1				
	D10		INC. 20					
022		266192-7	TAPPING SCREW 4X14	4				
023		921356-7	HEX. BOLT M6X35	2				
024		253804-1	FLAT WASHER 6	2				
025		257690-2	SLEEVE 6	2				
026		413D94-4	JOINT	2				
027		412724-0	UPPER STOPPER L	1				
028		136679-2	LOWER PIPE L ASS'Y	1				
	D10		INC. 27					
029		135470-5	UPPER PIPE ASS'Y	2				
	D10		INC. 30					
030		452578-3	LOWER STOPPER	2				
031		650730-9	SWITCH TG72BD-6	1				
033		413D82-1	BATTERY COVER	1				
034		266326-2	TAPPING SCREW 4X18	2				
035		413D91-0	LOCK LEVER COVER	1				
036		413D90-2	LOCK LEVER	2				
037		232582-6	COMPRESSION SPRING 8	1				
038		922123-3	HEX. SOCKET HEAD BOLT M4X14	2				
039		183U82-4	LEVER CASE COVER	1				
	D10		INC. 42					
040		231418-6	COMPRESSION SPRING 9	1				
041		413D99-4	LOCK OFF BUTTON	1				
042		183U82-4	LEVER CASE COVER	1				
	D10		INC. 39					
043		911110-7	PAN HEAD SCREW M4X8	1				
044		347197-7	LEVER PLATE	1				
045		347943-8	FRONT PLATE	1				
046		257669-3	SLEEVE 6	2				
047		922323-5	HEX. SOCKET HEAD BOLT M6X16	2				
048		413D96-0	WHEEL 130	2				
049		253828-7	FLAT WASHER 10	2				
050		257878-4	RETAINING RING (EXT) S-10	2				
051		413E01-3	CAP	2				
052		240181-0	FAN 170	1				
053		224498-9	OUTER FLANGE 36	1				
054		266024-8	HEX. SOCKET HEAD BOLT M6X20	1				
055		346390-0	UNDER COVER	1				
056		922306-5	HEX. SOCKET HEAD BOLT M6X10	2				

B:DLM230SF(H)

Interchange
 O : Yes
 X : No
 < : the new part can be substituted for the current.
 > : the current part can be substituted for the new.
 S : Interchangeable as a set.

VN	VIETNAM
----	---------

DLM230 / 230MM CORDLESS LAWN MOWER

Item	Sub	Parts No.	Parts Description	Qty	I/C	E/C No.	Close No.	Remark
057		141J87-4	REAR COVER COMPLETE G	1				
	C10	892547-6	INDICATION LABEL	1				
	C20	892499-1	CLEAR LABEL	1				
058		266326-2	TAPPING SCREW 4X18	4				
059		457518-6	ROLLER 8-219	1				
060		256352-9	ROD 8	1				
061		347196-9	REAR PLATE	1				
062		257669-3	SLEEVE 6	2				
063		922323-5	HEX.SOCKET HEAD BOLT M6X16	2				
064		961012-7	STOP RING E-6	2				
065		961014-3	STOP RING E-8	1				
066		457574-6	LINK BAR	1				
067		961014-3	STOP RING E-8	1				
068		8115M4-6	DLM230 NAME PLATE	1				
069		266326-2	TAPPING SCREW 4X18	2				
070		141J86-6	COWLING COMPLETE G	1				
	C10	345424-6	GUIDE PLATE	2				
	C20	8048G6-5	CAUTION LABEL	1				
	C30	8047X2-6	INDICATION LABEL	1				
	C40	8047X3-4	INDICATION LABEL	1				
	C50	812D64-4	INDICATION LABEL	2				
071		8115M7-0	DLM230 SERIAL NO. LABEL	1				
072		266326-2	TAPPING SCREW 4X18	2				
073		183U97-1	TERMINAL HOUSING SET	1				
	C10	263005-3	RUBBER PIN 6	2				
	D10		INC. 75					
074		643874-2	TERMINAL	1				
075		183U97-1	TERMINAL HOUSING SET	1				
	C10	263005-3	RUBBER PIN 6	2				
	D10		INC. 73					
076		266326-2	TAPPING SCREW 4X18	1				
077		629A95-6	DC MOTOR	1				
078		266420-0	TAPPING SCREW 5X20	3				
079		267438-4	FLAT WASHER 5	3				
080		422847-6	RUBBER SLEEVE 10	3				
081		422145-8	FILTER	1				
082		620H70-7	CONTROLLER	1				
083		266326-2	TAPPING SCREW 4X18	2				
084		687124-5	STRAIN RELIEF	1			DG445	
084-1		687149-9	STRAIN RELIEF	1	<	DG445		
085		687051-6	STRAIN RELIEF	1				
086		413D89-7	DECK	1				
	C10	252157-5	SQUARE NUT M6	4				
087		266326-2	TAPPING SCREW 4X18	4				
088		162B72-6	BUCKET FRAME	1				
089		162B71-8	BUCKET	1				
090		191Y46-8	BLADE 230 SET	1				
A01		331481-0	ROD 6	1				
A02		783217-7	HEX. WRENCH 5	1				
A03B		***DC18SD	DC18SD BATTERY CHARGER	1			DF610	
	D10		COMPO-PARTS				DF610	
A03-1B		***DC18SD	DC18SD BATTERY CHARGER	1	O	DF610		
	D10		COMPO-PARTS			DF610		
A04B		197600-6	BATTERY BL1830B SET	1				

B:DLM230SF(H)

Interchange
O : Yes
X : No
< : the new part can be substituted for the current.
> : the current part can be substituted for the new.
S : Interchangeable as a set.