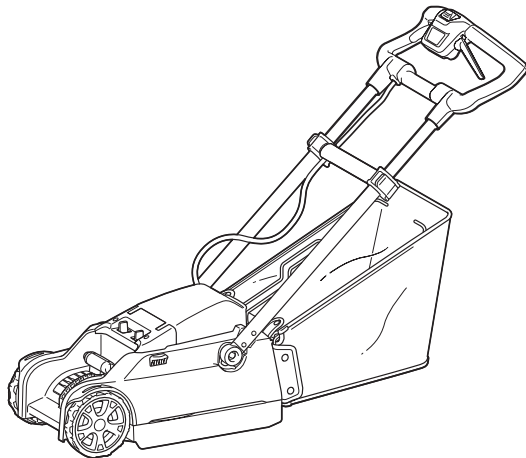




EN	Cordless Lawn Mower	INSTRUCTION MANUAL	6
ZHCN	充电式草坪修剪机	使用说明书	15
ID	Mesin Pemotong Rumput Tanpa Kabel	PETUNJUK PENGGUNAAN	24
MS	Pemangkas Laman Kordles	MANUAL ARAHAN	34
VI	Máy Cắt Cỏ Đẩy Cầm Tay Hoạt Động Bằng Pin	TÀI LIỆU HƯỚNG DẪN	44
TH	เครื่องตัดหญ้าไร้สาย	คู่มือการใช้งาน	53

DLM230



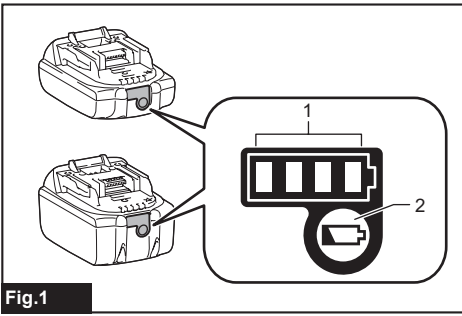


Fig.1

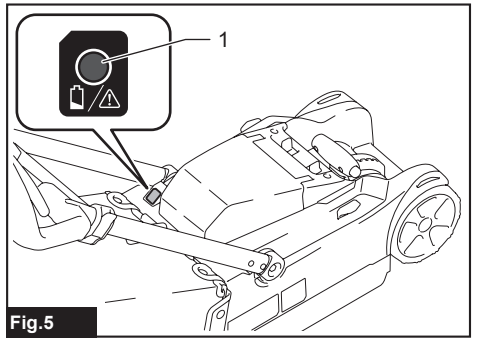


Fig.5

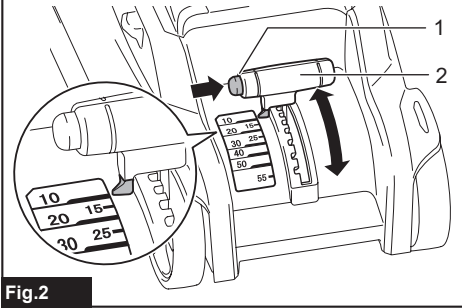


Fig.2

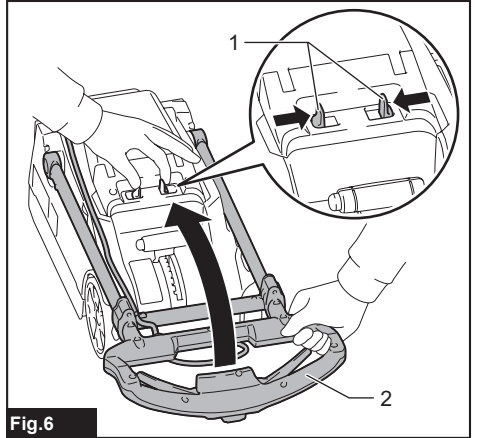


Fig.6

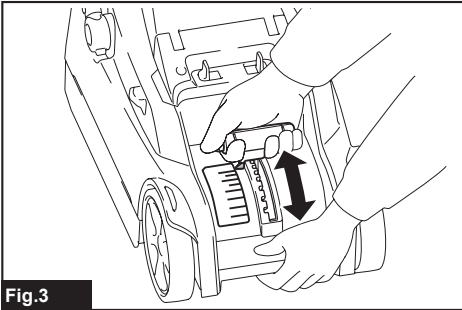


Fig.3

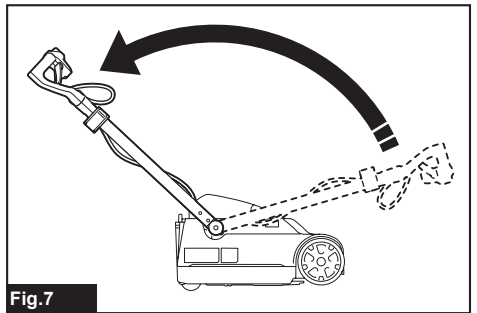


Fig.7

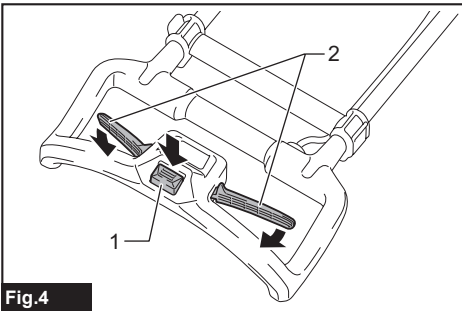


Fig.4

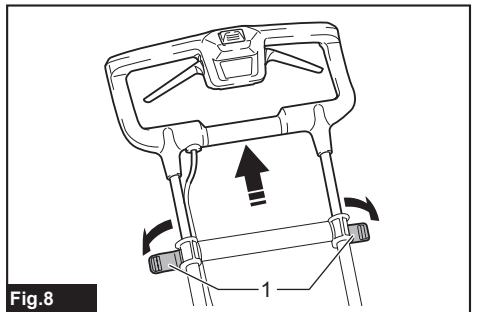


Fig.8

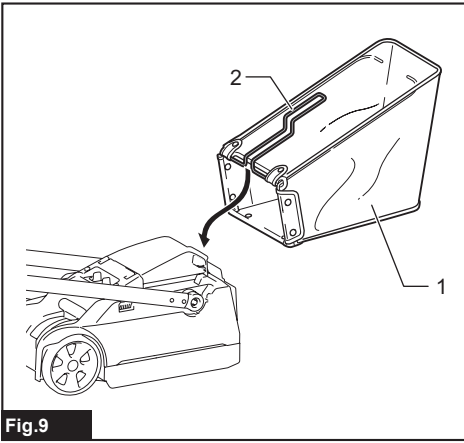


Fig.9

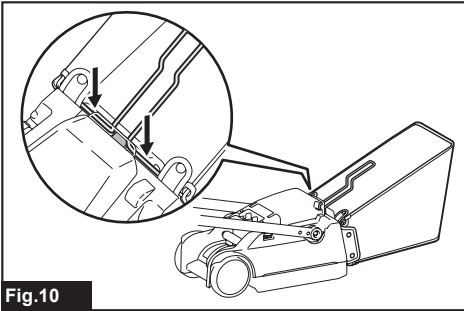


Fig.10

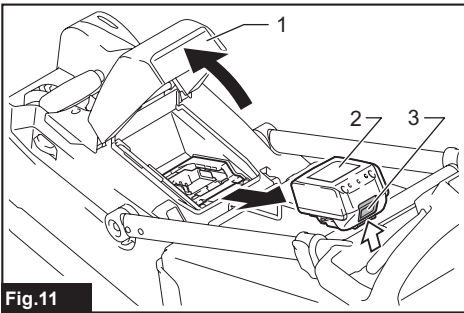


Fig.11



Fig.12

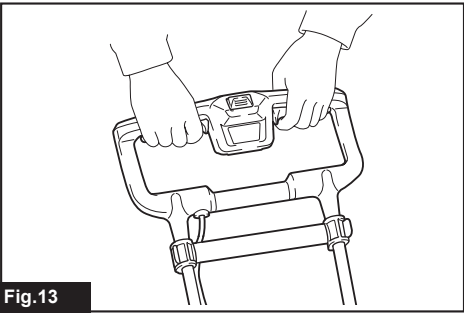


Fig.13

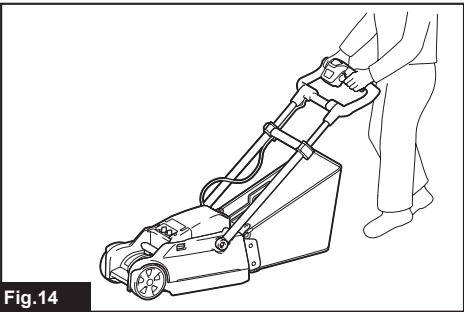


Fig.14

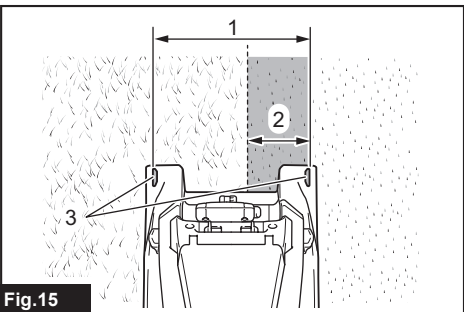


Fig.15

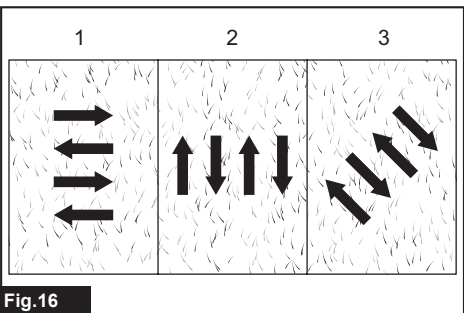


Fig.16

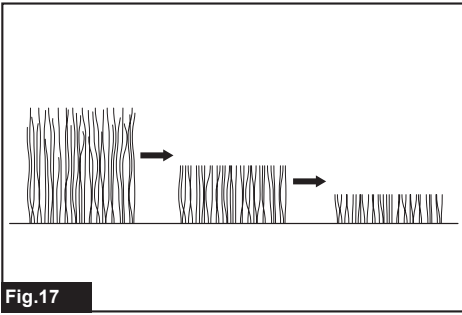


Fig.17

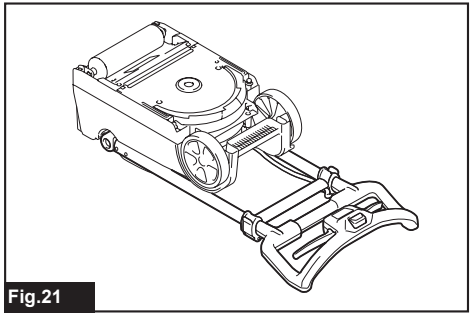


Fig.21

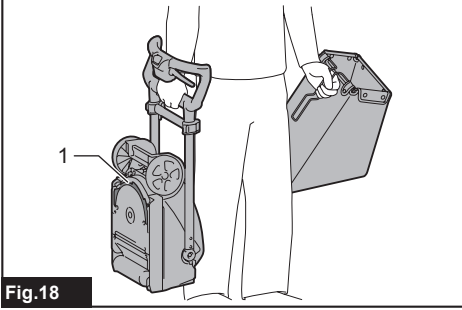


Fig.18

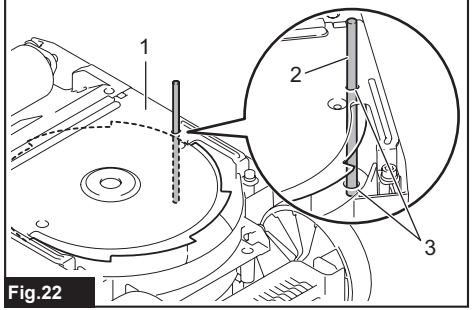


Fig.22

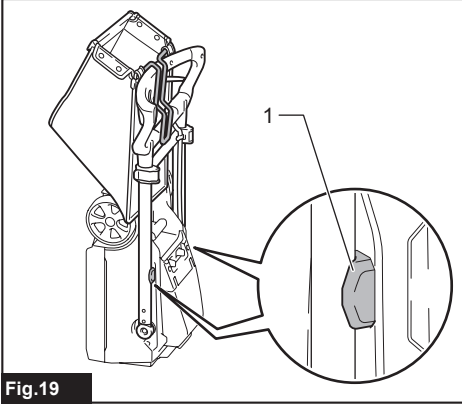


Fig.19

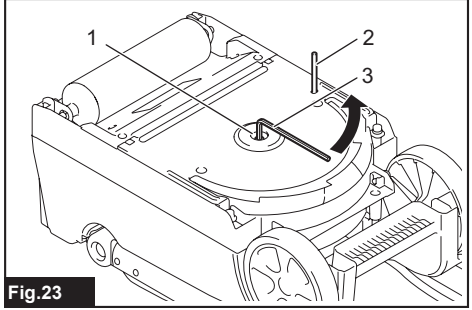


Fig.23

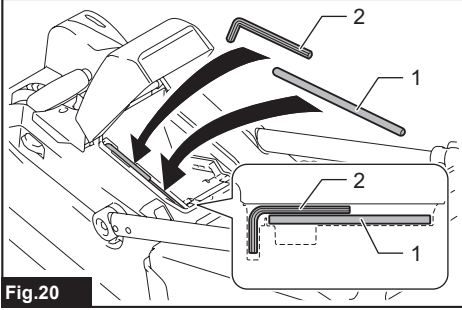


Fig.20

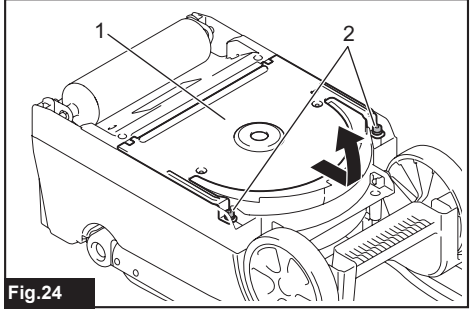
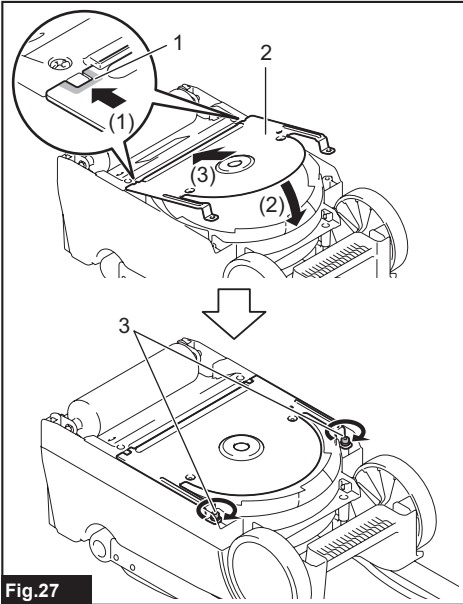
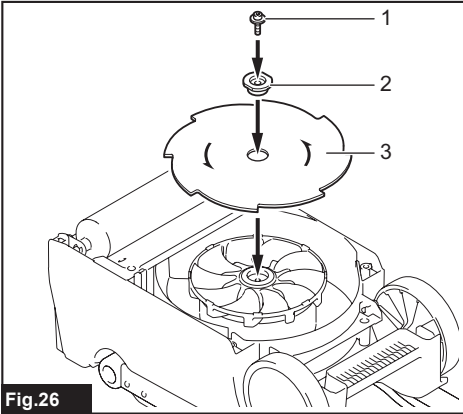
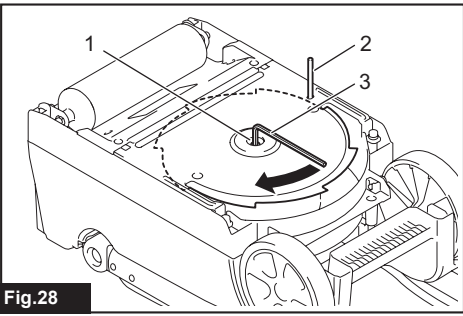
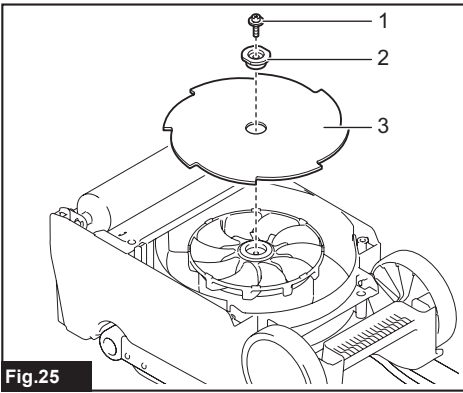


Fig.24



SPECIFICATIONS

Model:		DLM230
No load speed		7,000 min ⁻¹
Cutting height		10 mm - 55 mm
Cutting width		230 mm
Dimensions (L x W x H)	during operation (with grass basket)	L: 860 mm to 1,105 mm W: 256 mm H: 680 mm to 920 mm
	when stored (without grass basket) (with upright position)	264 mm x 363 mm x 780 mm
Rated voltage		D.C. 18 V
Net weight		8.6 - 8.9 kg
Protection degree		IPX4

- Due to our continuing program of research and development, the specifications herein are subject to change without notice.
- Specifications may differ from country to country.
- The weight may differ depending on the attachment(s), including the battery cartridge. The lightest and heaviest combination, according to EPTA-Procedure 01/2014, are shown in the table.

Applicable battery cartridge and charger

Battery cartridge	BL1820B / BL1830B / BL1840B / BL1850B / BL1860B
Charger	DC18RC / DC18RD / DC18RE / DC18SD / DC18SE / DC18SF / DC18SH







- Some of the battery cartridges and chargers listed above may not be available depending on your region of residence.

⚠ WARNING: Only use the battery cartridges and chargers listed above. Use of any other battery cartridges and chargers may cause injury and/or fire.

⚠ WARNING: Do not use a corded power supply such as battery adapter or portable power pack with this machine. The cable of such power supply may hinder the operation and result in personal injury.

Symbols

The followings show the symbols which may be used for the equipment. Be sure that you understand their meaning before use.

	Take particular care and attention.
	Read instruction manual.
	Danger; be aware of thrown objects.
	The distance between the tool and bystanders must be at least 15 m.
	Never put your hands and feet near the mower blade under the mower. Mower blades continue to rotate after the motor is switched off.
	Warning; Disconnect battery before maintenance.



Be sure to install the grass basket before use.



Warning; Do not place hand, fingers or foot close to the mower blade.

Intended use

The machine is intended for lawn mowing.

SAFETY WARNINGS

IMPORTANT SAFETY INSTRUCTIONS

⚠ WARNING: Read all safety warnings and all instructions. Failure to follow the warnings and instructions may result in electric shock, fire and/or serious injury.

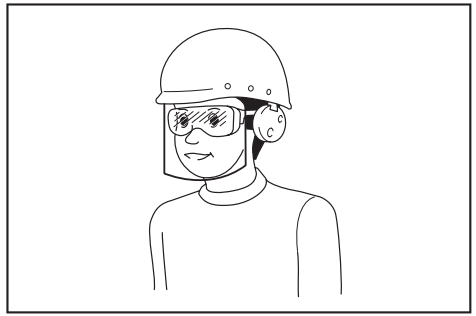
Save all warnings and instructions for future reference.

Training

1. Read the instructions carefully. Be familiar with the controls and the proper use of the mower.
2. Never allow children or people unfamiliar with these instructions to use the mower. Local regulations can restrict the age of the operator.
3. Never operate the mower while people, especially children, or pets are nearby.
4. Keep in mind that the operator or user is responsible for accidents or hazards occurring to other people or their property.
5. Children should be supervised to ensure that they do not play with the mower.
6. Do not operate machines in explosive atmospheres, such as in the presence of flammable liquids, gases or dust. Machines create sparks which may ignite the dust or fumes.
7. **Physical condition - Do not operate mower while under the influence of drugs, alcohol, or any medication.**

Preparation

1. While operating the mower, always wear substantial footwear and long trousers. Do not operate the mower when barefoot or wearing open sandals. Avoid wearing clothing or jewelry that is loose fitting or that has hanging cords or ties. They can be caught in moving parts.
2. Before use, always visually inspect the mower for damaged, missing or misplaced guards or shields.
3. Be sure the area is clear of other people before mowing. Stop mower if anyone enters the area.
4. Do not insert the battery cartridge into mower until it is ready to be used.
5. Use personal protective equipment. Always wear eye protection. Protective equipment such as a dust mask, non-skid safety shoes, hard hat or hearing protection used for appropriate conditions will reduce personal injuries.
6. Always wear protective goggles to protect your eyes from injury when using power tools. The goggles must comply with ANSI Z87.1 in the USA, EN 166 in Europe, or AS/NZS 1336 in Australia/New Zealand. In Australia/New Zealand, it is legally required to wear a face shield to protect your face, too.



It is an employer's responsibility to enforce the use of appropriate safety protective equipments by the tool operators and by other persons in the immediate working area.

7. Check the mower blades or mower blade bolts carefully for cracks or damage before operation. Replace cracked or damaged mower blades or mower blade bolts immediately.
8. Remove foreign matters such as rocks, wire, bottles, bones and large sticks from the work area before mowing to prevent personal injury or damage to the mower.
9. Objects struck by the mower blade can cause severe injuries to persons. The lawn should always be carefully examined and cleared of all objects prior to each mowing.
10. Watch for holes, ruts, bumps, rocks, or other hidden objects. Uneven terrain could cause a slip and fall accident. Tall grass can hide obstacles.
11. **Keep handles and grasping surfaces dry, clean and free from oil and grease.** Slippery handles and grasping surfaces do not allow for safe handling and control of the tool in unexpected situations.

Operation

1. Do not overreach. Keep the balance at all times. Always be sure of the footing on slopes. Walk, never run.
2. Stop the mower and remove the battery cartridge, and make sure that all moving parts have come to a complete stop:
 - whenever you leave the mower,
 - before clearing blockages or unclogging chute,
 - before checking, cleaning or working on the mower,
 - after striking a foreign object. Inspect the mower for damage and make repairs before restarting and operating the mower,
 - whenever the mower starts vibrating abnormally.
3. Never operate the mower with defective guards or shields, or without safety devices, for example deflectors and/or grass basket, in place.
4. Avoid using the mower in bad weather conditions especially when there is a risk of lightning.
5. Wear eye protection and stout shoes at all times while operating the mower.

6. Operate the mower only in daylight or in good artificial light.
 7. Switch on the mower carefully according to instructions and with feet well away from the mower blade(s).
 8. Take care against injury to feet and hands from the mower blades.
 9. Always ensure that the ventilation openings are kept clear of debris.
 10. Mow across the face of slopes, never up and down. Exercise extreme caution when changing direction on slopes. Do not mow excessively steep slopes.
 11. Use extreme caution when reversing or pulling the mower towards you.
 12. Stop the mower blade(s) if the mower has to be tilted for transportation when crossing surfaces other than grass, and when transporting the mower to and from the area to be used.
 13. Do not tilt the mower when switching on the motor, except if the mower has to be tilted for starting. In this case, do not tilt it more than absolutely necessary and lift only the part, which is away from the operator. Always ensure that both hands are in the operating position before returning the mower to the ground.
 14. Do not put hands or feet near or under rotating parts. Keep clear of the discharge opening at all times.
 15. Do not transport the mower while the mower is turned on.
 16. Avoid dangerous environment. Don't use the machine in dump or wet locations or expose it to rain. Water entering the machine will increase the risk of electric shock.
 17. Avoid operating the mower in wet grass.
 18. Never operate the mower in the rain.
 19. Always keep a firm hold on the handle.
 20. Do not grasp the exposed mower blades or cutting edges when picking up or holding the mower.
 21. Keep hands and feet away from rotating mower blades. Caution - Mower blades coast after the mower is switched off.
 22. Stop operation immediately if you notice anything unusual. Switch off the mower and remove the battery cartridge. Then inspect the mower.
 23. Never attempt to make cutting height adjustments while mower is running if the mower has cutting height adjustment feature.
 24. Release switch lever and wait for mower blade rotation to stop before crossing driveways, walks, roads, and any gravel-covered areas. Also remove the battery cartridge if you leave the mower, reach to pick up or remove something out of your way, or for any other reason that may distract you from what you are doing.
 25. If the mower strikes a foreign object, follow these steps:
 - Stop the mower, release the switch lever and wait until the mower blade comes to a complete stop.
 - Remove the battery cartridge.
 - Thoroughly inspect the mower for any damage.
 - Replace the mower blade if it is damaged in any way. Repair any damage before restarting and continuing to operate the mower.
 26. Do not start the mower when standing in front of the discharge opening.
 27. If the mower starts to vibrate abnormally (check immediately)
 - inspect for damage,
 - replace or repair any damaged parts,
 - check for and tighten any loose parts.
 28. Never direct discharged material toward anyone. Avoid discharging material against a wall or obstruction. Material may ricochet back toward the operator. Stop the mower blade when crossing gravel surfaces.
 29. Do not pull the mower backwards unless absolutely necessary. When you are compelled to back the mower from a fence or other similar obstruction, look down and behind before and while moving backwards.
 30. Shut the motor off and wait until the mower blade comes to a complete stop before removing the grass basket. Beware that the mower blades coast after turn off.
- Maintenance and storage**
1. Replace worn or damaged parts for safety. Use only genuine replacement parts and accessories.
 2. Inspect and maintain the mower regularly.
 3. When not in use, store the mower out of the reach of children.
 4. Keep all nuts, bolts, and screws tight to be sure the equipment is in safe working condition.
 5. Check the grass basket frequently for wear or deterioration. For storage, always make sure the grass basket is empty. Replace a worn grass basket with a new factory replacement for safety.
 6. Use only the manufacturer genuine mower blades specified in this manual.
 7. Be careful during adjustment of the mower to prevent entrapment of the fingers between moving mower blades and fixed parts of the mower.
 8. Do not wash with a hose; avoid getting water in motor and electrical connections.
 9. When installing the mower blade, make sure that the mower blade is installed firmly. Read and follow the instruction manual carefully. Inadequate or incomplete fixation may cause an injury.
 10. Check the mower blade mounting bolt at frequent intervals for proper tightness.
 11. Always allow the mower to cool down before storing.
 12. When servicing the mower blades be aware that, even though the power source is switched off, the mower blades can still be moved.

13. **Never remove or tamper with safety devices. Check their proper operation regularly. Never do anything to interfere with the intended function of a safety device or to reduce the protection provided by a safety device.**

Battery tool use and care

1. **Recharge only with the charger specified by the manufacturer.** A charger that is suitable for one type of battery pack may create a risk of fire when used with another battery pack.
2. **Use power tools only with specifically designated battery packs.** Use of any other battery packs may create a risk of injury and fire.
3. **When battery pack is not in use, keep it away from other metal objects, like paper clips, coins, keys, nails, screws or other small metal objects, that can make a connection from one terminal to another.** Shorting the battery terminals together may cause burns or a fire.
4. **Under abusive conditions, liquid may be ejected from the battery; avoid contact. If contact accidentally occurs, flush with water. If liquid contacts eyes, additionally seek medical help.** Liquid ejected from the battery may cause irritation or burns.
5. **Do not use a battery pack or tool that is damaged or modified.** Damaged or modified batteries may exhibit unpredictable behaviour resulting in fire, explosion or risk of injury.
6. **Do not expose a battery pack or tool to fire or excessive temperature.** Exposure to fire or temperature above 130 °C may cause explosion.
7. **Follow all charging instructions and do not charge the battery pack or tool outside the temperature range specified in the instructions.** Charging improperly or at temperatures outside the specified range may damage the battery and increase the risk of fire.

Electrical and battery safety

1. **Do not dispose of the battery(ies) in a fire.** The cell may explode. Check with local codes for possible special disposal instructions.
2. **Do not open or mutilate the battery(ies).** Released electrolyte is corrosive and may cause damage to the eyes or skin. It may be toxic if swallowed.
3. **Do not charge battery in rain, or in wet locations.**
4. **Do not charge the battery outdoors.**
5. **Do not handle charger, including charger plug, and charger terminals with wet hands.**

Service

1. **Have your power tool serviced by a qualified repair person using only identical replacement parts.** This will ensure that the safety of the power tool is maintained.
2. **Never service damaged battery packs.** Service of battery packs should only be performed by the manufacturer or authorized service providers.

SAVE THESE INSTRUCTIONS.

⚠WARNING: DO NOT let comfort or familiarity with product (gained from repeated use) replace strict adherence to safety rules for the subject product.

MISUSE or failure to follow the safety rules stated in this instruction manual may cause serious personal injury.

Important safety instructions for battery cartridge

1. **Before using battery cartridge, read all instructions and cautionary markings on (1) battery charger, (2) battery, and (3) product using battery.**
2. **Do not disassemble or tamper with the battery cartridge.** It may result in a fire, excessive heat, or explosion.
3. **If operating time has become excessively shorter, stop operating immediately. It may result in a risk of overheating, possible burns and even an explosion.**
4. **If electrolyte gets into your eyes, rinse them out with clear water and seek medical attention right away. It may result in loss of your eyesight.**
5. **Do not short the battery cartridge:**
 - (1) **Do not touch the terminals with any conductive material.**
 - (2) **Avoid storing battery cartridge in a container with other metal objects such as nails, coins, etc.**
 - (3) **Do not expose battery cartridge to water or rain.**

A battery short can cause a large current flow, overheating, possible burns and even a breakdown.

6. **Do not store and use the tool and battery cartridge in locations where the temperature may reach or exceed 50 °C (122 °F).**
7. **Do not incinerate the battery cartridge even if it is severely damaged or is completely worn out. The battery cartridge can explode in a fire.**
8. **Do not nail, cut, crush, throw, drop the battery cartridge, or hit against a hard object to the battery cartridge.** Such conduct may result in a fire, excessive heat, or explosion.
9. **Do not use a damaged battery.**
10. **The contained lithium-ion batteries are subject to the Dangerous Goods Legislation requirements.**

For commercial transports e.g. by third parties, forwarding agents, special requirement on packaging and labeling must be observed.

For preparation of the item being shipped, consulting an expert for hazardous material is required. Please also observe possibly more detailed national regulations.

Tap or mask off open contacts and pack up the battery in such a manner that it cannot move around in the packaging.

11. When disposing the battery cartridge, remove it from the tool and dispose of it in a safe place. Follow your local regulations relating to disposal of battery.
12. Use the batteries only with the products specified by Makita. Installing the batteries to non-compliant products may result in a fire, excessive heat, explosion, or leak of electrolyte.
13. If the tool is not used for a long period of time, the battery must be removed from the tool.
14. During and after use, the battery cartridge may take on heat which can cause burns or low temperature burns. Pay attention to the handling of hot battery cartridges.
15. Do not touch the terminal of the tool immediately after use as it may get hot enough to cause burns.
16. Do not allow chips, dust, or soil stuck into the terminals, holes, and grooves of the battery cartridge. It may cause heating, catching fire, burst and malfunction of the tool or battery cartridge, resulting in burns or personal injury.
17. Unless the tool supports the use near high-voltage electrical power lines, do not use the battery cartridge near high-voltage electrical power lines. It may result in a malfunction or breakdown of the tool or battery cartridge.
18. Keep the battery away from children.

SAVE THESE INSTRUCTIONS.

CAUTION: Only use genuine Makita batteries. Use of non-genuine Makita batteries, or batteries that have been altered, may result in the battery bursting causing fires, personal injury and damage. It will also void the Makita warranty for the Makita tool and charger.

Tips for maintaining maximum battery life

1. Charge the battery cartridge before completely discharged. Always stop tool operation and charge the battery cartridge when you notice less tool power.
2. Never recharge a fully charged battery cartridge. Overcharging shortens the battery service life.
3. Charge the battery cartridge with room temperature at 10 °C - 40 °C (50 °F - 104 °F). Let a hot battery cartridge cool down before charging it.
4. When not using the battery cartridge, remove it from the tool or the charger.
5. Charge the battery cartridge if you do not use it for a long period (more than six months).

FUNCTIONAL DESCRIPTION

CAUTION: Always be sure that the machine is switched off and the battery cartridge is removed before adjusting or checking function on the machine.

Indicating the remaining battery capacity

Only for battery cartridges with the indicator

► Fig.1: 1. Indicator lamps 2. Check button

Press the check button on the battery cartridge to indicate the remaining battery capacity. The indicator lamps light up for a few seconds.

Indicator lamps			Remaining capacity
Lighted	Off	Blinking	
■ ■ ■ ■			75% to 100%
■ ■ ■ □			50% to 75%
■ ■ □ □			25% to 50%
■ □ □ □			0% to 25%
▣ □ □ □			Charge the battery.
■ ■ □ □			The battery may have malfunctioned.
□ □ ■ ■			

NOTE: Depending on the conditions of use and the ambient temperature, the indication may differ slightly from the actual capacity.

NOTE: The first (far left) indicator lamp will blink when the battery protection system works.

Adjusting the mowing height

WARNING: Never put your hand or leg under the mower body when adjusting the mowing height.

CAUTION: Always be sure that the machine is switched off and the battery cartridge is removed before adjusting the mowing height.

You can adjust the mowing height in the range of 10 mm to 55 mm.

► Fig.2: 1. Lock button 2. Adjusting lever

Place one hand on the main unit of the machine, and then move the adjusting lever forward or backward to the desired height with the other hand while pressing the lock button on the adjusting lever. Release the lock button at the desired height.

► Fig.3

NOTICE: Make sure the lock button is properly locked after the adjustment.

NOTE: The mowing height figures should be used just as a guideline. Depending on the conditions of the lawn or the ground, the actual lawn height may become slightly different from the set height.

NOTE: Try a test mowing of grass in a less conspicuous place to get your desired height.

Switch action

⚠ WARNING: Before installing the battery cartridge, always check to see that the switch lever actuates properly and returns to the original position when released. Operating a machine with a switch that does not actuate properly can lead to loss of control and serious personal injury.

⚠ WARNING: For your safety, this machine is equipped with the lock-off button which prevents the machine from unintended starting. Never use the machine if it starts when you pull the switch lever without pressing the lock-off button. Ask your local Makita Service Center for repairs.

⚠ WARNING: Never disable the lock function or tape down the lock-off button.

NOTICE: Do not pull the switch lever forcibly without depressing the lock-off button. The switch may break.

To start the machine, first depress the lock-off button and squeeze either the left or right switch lever in. To stop the machine, release the switch lever. When the switch lever is released, the lock-off button will return automatically to the locked position.

► Fig.4: 1. Lock-off button 2. Switch lever

Machine / battery protection system

The machine is equipped with a machine/battery protection system. This system automatically cuts off power to the motor to extend machine and battery life. The machine will automatically stop during operation if the machine or battery is placed under one of the following conditions.

Overload protection

When the machine/battery is operated in a manner that causes it to draw an abnormally high current, the machine automatically stops and the indicator lamp lights up in red. In this situation, turn the machine off and stop the application that caused the machine to become overloaded. Then turn the machine on to restart.

Overheat protection

When the machine is overheated, the machine stops automatically and the indicator lamp lights up in red. Let the machine cool down before turning the machine on again.

Overdischarge protection

When the remaining battery capacity gets low, the indicator lamp blinks in red. By further use, the machine stops and the indicator lamp lights up in red. In this situation, charge the battery cartridge.

► Fig.5: 1. Indicator lamp

Protections against other causes

Protection system is also designed for other causes that could damage the machine and allows the machine to stop automatically. Take all the following steps to clear the causes, when the machine has been brought to a temporary halt or stop in operation.

1. Turn the machine off, and then turn it on again to restart.
2. Charge the battery(ies) or replace it/them with recharged battery(ies).
3. Let the machine and battery(ies) cool down.

If no improvement can be found by restoring protection system, then contact your local Makita Service Center.

NOTE: The timing, at which the lamp lights up, depends on the temperature at work place and the battery cartridge conditions.

Electronic function

- Electric brake
This machine is equipped with an electric brake. If the tool consistently fails to quickly stop after the switch lever is released, have the tool serviced at a Makita service center.
- Soft start
When the switch is turned on, the motor begins to rotate smoothly with minimal recoil.

ASSEMBLY

⚠ CAUTION: Always be sure that the battery cartridge is removed before carrying out any work on the machine. Failure to remove the battery cartridge may result in serious personal injury from accidental start-up.

Raising the handle

Slide the two lock levers inward and raise the handle with the other hand until it stops.

► Fig.6: 1. Lock lever 2. Handle

► Fig.7

Extending the handle

Open out the lock levers on both sides of the handle, and then extend the handle by pulling it. Close the lock levers at the desired height.

► Fig.8: 1. Lock lever

Installing the grass basket

Hook the grass basket onto the rear side of the machine.

► Fig.9: 1. Grass basket 2. Frame

NOTICE: Be sure to attach the grass basket in the correct position by setting the frame of the grass basket in the grooves of the machine.

► Fig.10

Installing or removing battery cartridge

CAUTION: Always switch off the machine before installing or removing of the battery cartridge.

CAUTION: Do not insert or remove the battery with wet hands. Otherwise electric shock may occur.

CAUTION: Hold the machine and the battery cartridge firmly when installing or removing battery cartridge. Failure to hold the machine and the battery cartridge firmly may cause them to slip off your hands and result in damage to the machine and battery cartridge and a personal injury.

CAUTION: Make sure that you lock the battery cover before use. Otherwise, mud, dirt, or water may cause damage to the product or the battery cartridge.

CAUTION: Always install the battery cartridge fully. If not, it may accidentally fall out of the machine, causing injury to you or someone around you.

CAUTION: Do not install the battery cartridge forcibly. If the cartridge does not slide in easily, it is not being inserted correctly.

CAUTION: Be careful not to pinch your fingers when opening or closing the battery cover.

To install the battery cartridge;

1. Open the battery cover.
2. Align the tongue on the battery cartridge with the slot on the mower, and then slide the cartridge until it locks in place with a little click.
3. Close the battery cover and push it until it is latched with the hook.

To remove the battery cartridge from the mower;

1. Open the battery cover.
2. Pull out the battery cartridge from the mower while sliding up the button on the front of the cartridge. Then close the battery cover.

► Fig.11: 1. Battery cover 2. Battery cartridge
3. Button

OPERATION

Mowing

WARNING: Always wear the safety goggles or safety glasses with side shields when operating the mower.

WARNING: Before mowing, clear away sticks and stones from the mowing area. Furthermore, clear away any weeds from the mowing area in advance.

► Fig.12

CAUTION: If the cut grass or foreign object blocks up inside of the mower body, be sure to remove the battery cartridge and wear gloves before removing the grass or foreign object.

NOTICE: Use this machine for mowing lawn only. Do not mow weeds with this machine.

Firmly hold the handle with both hands when mowing.

► Fig.13

The mowing speed guideline is approximately 2 to 4 seconds per 1 meter.

► Fig.14

The labels on both sides of the front of the machine are guidelines to mowing width. Using the labels as guidelines, mow in strips. Overlap by one half to one third the previous strip to mow the lawn evenly.

► Fig.15: 1. Mowing width 2. Overlapping area
3. Mowing width label

Change the mowing direction each time to prevent the grass grain pattern from forming in just one direction.

► Fig.16: 1. First time 2. Second time 3. Third time

Periodically check the grass basket for mowed grass. Empty the basket before it becomes full. Before every periodic check, be sure to stop the machine.

NOTE: Using the mower with the grass basket full prevents smooth mower blade rotation and places an extra load on the motor, which may cause a breakdown.

Mowing a long-grass lawn

Do not try to cut long grass all at once. Instead, mow the lawn in steps. Leave a day or two between mowings until the lawn becomes evenly short.

► Fig.17

NOTE: Mowing long grass to a short length all at once may cause the grass to die. The cut grass may also block up inside of the mower body.

CARRYING AND STORAGE

⚠ CAUTION: Be careful not to trap fingers when folding down the handle.

⚠ CAUTION: Make sure that the handle is properly secured into the stoppers.

Carrying

⚠ CAUTION: When carrying the mower, make sure that the mower blade is on the outside and away from your body.

To carry the mower, secure the handle, and carry it as shown in the figure.

► **Fig.18:** 1. Mower blade

Storing

Remove the grass basket, then shorten the handle. (Refer to "ASSEMBLY".)

Fold down the handle until the handle is in place by the stopper.

Place the machine and hook the grass basket as shown in the figure.

► **Fig.19:** 1. Stopper

Storing of lock pin and hex wrench

The lock pin and the hex wrench can be stored inside the battery cover.

When not in use, store the lock pin and the hex wrench to keep it from being lost.

► **Fig.20:** 1. Lock pin 2. Hex wrench

MAINTENANCE

⚠ WARNING: Before performing the maintenance, remove the battery cartridges from the machine, and confirm that the mower blades have come to a complete halt.

⚠ CAUTION: When performing the maintenance, always wear gloves.

To maintain product SAFETY and RELIABILITY, repairs, any other maintenance or adjustment should be performed by Makita Authorized or Factory Service Centers, always using Makita replacement parts.

Maintenance after mowing

After mowing, wipe the machine with a dry cloth or a cloth dipped in soapy water. Also, use a soft brush to brush off grass cuttings and dirt from mower blades.

⚠ CAUTION: Do not spray or pour water on the machine when cleaning. Do not wash with a hose; avoid getting water in motor and electrical connections.

NOTICE: Never use gasoline, benzine, thinner, alcohol or the like. Discoloration, deformation or cracks may result.

Replacing the mower blade

⚠ CAUTION: Do not use any wrench other than the standard hex wrench when replacing the mower blade. Using a different wrench may lead to over-tightening or looseness, which may cause injury.

1. Remove the battery cartridge from the mower. Store it in a safe place out of the reach of children.
 2. Fold down the handle and turn over the machine.
► **Fig.21**
 3. Insert the lock pin through the hole in the bottom plate and insert it into the hole in the main body.
► **Fig.22:** 1. Bottom plate 2. Lock pin 3. Hole
 4. Use the hex wrench to loosen the hexagonal bolt.
► **Fig.23:** 1. Hexagonal bolt 2. Lock pin 3. Hex wrench
 5. Loosen the two hexagonal bolts securing the bottom plate, and remove the bottom plate.
► **Fig.24:** 1. Bottom plate 2. Hexagonal bolt
 6. Remove the hexagonal bolt, outer flange, and mower blade.
► **Fig.25:** 1. Hexagonal bolt 2. Outer flange 3. Mower blade
 7. Place the new mower blade, outer flange, and hexagonal bolt, and then temporarily tighten the hexagonal bolt. Make sure that the arrow on the bottom plate and the arrow on the mower blade are both pointing in the same direction.
► **Fig.26:** 1. Hexagonal bolt 2. Outer flange 3. Mower blade
 8. Attach the bottom plate in the order shown in the figure, and then tighten the two hexagonal bolts.
► **Fig.27:** 1. Notch 2. Bottom plate 3. Hexagonal bolt
- ⚠ CAUTION:** Be sure to fully insert the bottom plate into the machine so that the protrusions on the machine is fully inserted into the notches of the bottom plate. Failure to do so may cause injury because the bottom plate may come off due to the misalignment of the hexagonal bolts.
9. Insert the lock pin into the hole on the bottom plate, and then firmly tighten the hexagonal bolt using the hex wrench to secure the mower blade.
► **Fig.28:** 1. Hexagonal bolt 2. Lock pin 3. Hex wrench

OPTIONAL ACCESSORIES

⚠ CAUTION: These accessories or attachments are recommended for use with your Makita tool specified in this manual. The use of any other accessories or attachments might present a risk of injury to persons. Only use accessory or attachment for its stated purpose.

If you need any assistance for more details regarding these accessories, ask your local Makita Service Center.

- Mower blade
- Makita genuine battery and charger

NOTE: Some items in the list may be included in the tool package as standard accessories. They may differ from country to country.

规格

型号:	DLM230	
空载速度	7,000/min	
切割高度	10 mm - 55 mm	
切割宽度	230 mm	
尺寸 (长 × 宽 × 高)	操作时 (带草篮)	长: 860 mm至1,105 mm 宽: 256 mm 高: 680 mm至920 mm
	存放时 (不带草篮) (直立)	264 mm × 363 mm × 780 mm
额定电压	D.C. 18 V	
净重	8.6 - 8.9 kg	
防护等级	IPX4	

- 生产者保留变更规格不另行通知之权利。
- 规格可能因销往国家之不同而异。
- 重量因附件 (包括电池组) 而异。根据EPTA-Procedure 01/2014, 最重与最轻的组合见表格。

适用电池组和充电器

电池组	BL1820B / BL1830B / BL1840B / BL1850B / BL1860B
充电器	DC18RC / DC18RD / DC18RE / DC18SD / DC18SE / DC18SF / DC18SH

- 部分以上所列电池组和充电器是否适用视用户所在地区而异。

警告： 请仅使用以上所列电池组和充电器。使用其他类型的电池组或充电器可能会导致人身伤害和 / 或失火。


警告： 请勿对此机器使用带线电源，例如电池连接转换器或者便携电源装置。此类电源电缆可能会阻碍操作并导致人员受伤。

符号

以下显示本设备可能会使用的符号。在使用工具之前，请务必理解其含义。

 特别小心和注意。

 阅读使用说明书。

 危险；注意抛掷物体。



工具和旁观者的距离至少为15米。



切勿使手和脚靠近修剪机下面的修剪机刀片。电机关闭后修剪机刀片还会继续旋转。



警告：保养前断开电池。



请务必在使用前安装草篮。



警告：请勿将手、手指或脚靠近修剪机刀片。

用途

本机用于修剪草坪。

安全警告

重要安全注意事项

警告： 阅读所有警告和所有说明。不遵照以下警告和说明会导致电击、着火和 / 或严重伤害。

保存所有警告和说明书以备查阅。

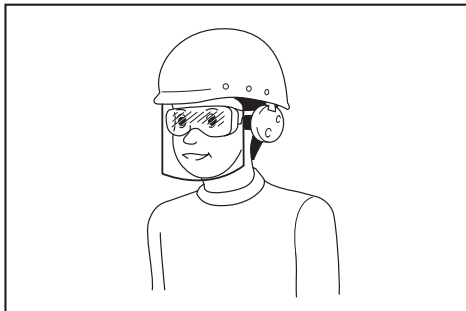
培训

1. 请仔细阅读说明。熟悉控制和正确操作本修剪机。
2. 切勿允许儿童或不熟悉这些使用须知的人员使用本修剪机。当地法规可能会限制操作人员的年龄。
3. 切勿在附近有人（特别是儿童）或宠物的情况下操作本修剪机。
4. 操作时要时刻谨记，如果给他人及其财产造成损失，操作者或用户要为此负责。
5. 应看管好儿童，勿让其玩耍本工具。
6. 请勿在易爆环境，如有可燃性液体、气体或粉尘的环境下操作机器。机器产生的火花可能会引燃粉尘或气体。
7. 身体状况 - 请勿在药品、酒精或其他接受医疗的情况下操作修剪机。

准备

1. 操作本修剪机时，务必穿戴厚实的鞋子和长裤。请勿在赤脚或穿着露趾凉鞋时操作本修剪机。避免穿着或佩戴宽松或带有线绳的衣服或首饰。它们可能会被卷入运动部件中。
2. 使用前，务必观察修剪机是否有损坏，保护罩或隔离罩是否缺失或者位置错误。
3. 修剪草坪前确保作业区域内无其他人员。如有任何人进入作业区域，请停止修剪机。
4. 准备使用时才可将电池组插入修剪机。
5. 使用个人防护装置。始终佩戴护目镜。防护装置，诸如适当条件下使用防尘面具、防滑安全鞋、安全帽、听力防护等装置能减少人身伤害。

6. 使用电动工具时请始终佩带护目镜以免伤害眼睛。护目镜须符合美国ANSI Z87.1、欧洲EN 166或者澳大利亚 / 新西兰的AS/NZS 1336的规定。在澳大利亚 / 新西兰，法律要求佩带面罩保护脸部。



- 雇主有责任监督工具操作者和其他近工作区域人员佩带合适的安全防护设备。
7. 操作之前，请仔细检查修剪机刀片或修剪机刀片螺栓上是否有裂缝或损坏。应立即更换有裂缝或损坏的修剪机刀片或修剪机刀片螺栓。
 8. 修剪草坪前，请清除作业区域内的石块、铁丝、瓶子、骨头和大的树枝等异物，以防止人员受伤或损坏修剪机。
 9. 修剪机刀片撞击异物会导致严重的人身伤害。每次修剪前，请务必仔细检查草坪并清除所有异物。
 10. 观察有无孔洞、坑槽、鼓包、石头或其它隐藏的物体。地面不平会导致打滑和摔倒。高草丛会隐藏障碍物。
 11. 保持手柄和握持表面干燥、清洁，不得沾有油脂。在意外的情况下，湿滑的手柄不能保证握持的安全和对工具的控制。

操作

1. 操作时手不要伸得太长。始终保持平衡。在斜坡上时，请确保立足稳固。操作时请行走，切勿跑动。
2. 停止修剪机并取出电池组，确保所有运动部件已完全停止：
 - 放置修剪机时；
 - 清除堵塞物或疏通滑槽前；
 - 检查、清洁或处理机器前；
 - 击打到异物后。在重新启动并操作机器前，检查修剪机有无损坏并进行修理。
 - 修剪机开始异常振动时。

3. 在保护罩或隔离罩有损坏，或者安全装置（如火花挡板和/或草篮）未安装到位时，请勿操作修剪机。
4. 请避免在恶劣天气尤其是雷电天气条件下使用修剪机。
5. 操作修剪机时，请务必穿戴护目眼镜和结实的鞋子。
6. 仅可在光线充足或良好照明的情况下操作本修剪机。
7. 根据操作指示小心开启修剪机，并使脚远离修剪机刀片。
8. 小心避免修剪机刀片伤及脚和手。
9. 务必确保通风口无任何碎片。
10. 修剪斜面草坪时，切勿上下颠簸。在斜面上改变方向时，请务必小心谨慎。请勿修剪较陡的倾斜面。
11. 反转或向自身拉修剪机时，务必小心谨慎。
12. 如果通过非草坪表面时以及搬运修剪机进出使用区域时必须倾斜修剪机搬运，请停止修剪机刀片。
13. 除必须倾斜修剪机进行启动的情况外，请勿在开启电机时倾斜修剪机。需要倾斜修剪机时，切勿使倾斜度大于必要的程度，并仅提起离操作者较远的部分。将本修剪机放回地面时，务必将双手放在操作位置上。
14. 勿使手和脚靠近旋转部件或置于其下。请勿在任何时间与排出口成直线站立。
15. 请勿在修剪机开启时进行搬运。
16. 避免危险的环境。请勿在潮湿或淋雨的环境下使用机器。机器受潮将增加触电的风险。
17. 避免在湿草上操作本修剪机。
18. 切勿在雨中操作本修剪机。
19. 请务必紧握手柄。
20. 拿起或握住修剪机时，请勿抓握外露的修剪机刀片或刀刃。
21. 手和脚应远离旋转的修剪机刀片。小心 - 关闭修剪机后修剪机刀片仍会旋转。
22. 若发现有任何异常，请立即停止操作。关闭修剪机并取出电池组。然后检查修剪机。
23. 如果草坪机具有切割高度调节功能，切勿在草坪机运转时调节切割高度。
24. 在穿过车道、人行道、道路或任何碎石覆盖的区域前，请释放开关柄并等待修剪机刀片停止旋转。在放置修剪机、捡取修剪路径上的异物或遭遇任何可能分散注意力的情况时，请务必取出电池组。
25. 如果修剪机撞击到异物，请执行以下步骤：
 - 停止修剪机，释放开关柄并等待修剪机刀片完全停止。
 - 取出电池组。
 - 彻底检查修剪机有无损伤。
 - 如果修剪机刀片有任何损伤，请予以更换。重新启动并继续操作修剪机前，请修复任何损伤。
26. 请勿在站立在排出口前部时启动修剪机。
27. 如果修剪机开始异常振动（立即检查）
 - 检查损伤；
 - 更换或修复任何损坏部件；
 - 检查并拧紧松散的部件。
28. 严禁将排出的物料对准任何人。避免紧靠墙壁或障碍物排出物料。物料可能会朝向操作者反弹。通过碎石面时，停止修剪机刀片。
29. 除非绝对需要，否则禁止向后拉修剪机。不得从栅栏或其它类似障碍物处后拉修剪机时，移动前和移动期间要注意脚下和身后。
30. 拆下草篮之前，先关闭电机并等待修剪机刀片完全停止。小心关机后修剪机刀片仍会旋转。

保养和存放

1. 出于安全需要，请更换磨损或损坏的部件。仅使用原厂正品替换部件和附件。
2. 定期检查和保养修剪机。
3. 不使用时，将修剪机存放在儿童无法触及的地方。
4. 保证所有螺母、螺栓和螺丝都已拧紧，确保设备处于安全的工作状态。
5. 时常检查草篮是否有磨损或劣化。存放时，务必确保清空草篮。出于安全需要，请使用新的原厂替换草篮更换磨损的草篮。
6. 请仅使用本说明书中指定的制造商正品修剪机刀片。
7. 调整修剪机时请小心谨慎，防止手指卷入移动的修剪机刀片和修剪机的固定部件之间。
8. 请勿用水管冲洗，避免电机和电气连接部件进水。

9. 安装修剪机刀片时，请务必牢固安装修剪机刀片。仔细阅读并遵循使用说明书。固定不充分或不完全可能会造成人身伤害。
10. 时常检查修剪机刀片安装螺栓，确保紧固妥当。
11. 存放前，务必使修剪机充分冷却。
12. 请注意，在维修修剪机刀片时，即便已切断电源，修剪机刀片仍可以移动。
13. 严禁拆下或改动安全装置。定期检查是否正常运行。严禁干扰安全装置的预定功能或者降低其保护能力。

电池式工具使用和注意事项

1. 仅使用生产者规定的充电器充电。将适用于某种电池包的充电器用到其他电池包时可能会发生着火危险。
2. 仅使用配有专用电池包的电动工具。使用其他电池包可能会产生伤害和着火危险。
3. 当电池包不用时，将它远离其他金属物体，例如回形针、硬币、钥匙、钉子、螺钉或其他小金属物体，以防电池包一端与另一端连接。电池组端部短路可能会引起燃烧或着火。
4. 在滥用条件下，液体可能会从电池组中溅出；应避免接触。如果意外碰到液体，用水冲洗。如果液体碰到了眼睛，还应寻求医疗帮助。从电池中溅出的液体可能会发生腐蚀或燃烧。
5. 不要使用损坏或改装过的电池包或工具。损坏或改装过的电池组可能呈现无法预测的结果，导致着火、爆炸或伤害。
6. 不要将电池包暴露于火或高温中。电池包暴露于火或高于130 °C的高温中可能导致爆炸。
7. 遵循所有充电说明。不要在说明书中指定的温度范围之外给电池包或电动工具充电。不正确或在指定的温度范围外充电可能会损坏电池和增加着火的风险。

电气和电池安全

1. 请勿将电池弃于火中。否则会引起电池爆炸。请查阅当地法规了解适当的特殊处理说明。
2. 请勿打开或拆解电池。溢出的电解质具有腐蚀性，可能会对眼睛或皮肤造成损伤。吞服则有致毒危险。
3. 请勿在雨中或潮湿的地方充电。
4. 勿在室外对电池充电。
5. 请勿用湿手操作充电器，包括充电器插头和充电器端子。

维修

1. 让专业维修人员使用相同的备件维修电动工具。这将保证所维修的电动工具的安全。
2. 决不能维修损坏的电池包。电池包仅能由生产者或其授权的维修服务商进行维修。

请保留此说明书。

警告： 请勿为图方便或因对产品足够熟悉（由于重复使用而获得的经验）而不严格遵循相关产品安全规则。

使用不当或不遵循使用说明书中的安全规则会导致严重的人身伤害。

电池组的重要安全注意事项

1. 在使用电池组之前，请仔细阅读所有的说明以及（1）电池充电器，（2）电池，以及（3）使用电池的产品上的警告标记。
2. 切勿拆卸或改装电池组。否则可能引起火灾、过热或爆炸。
3. 如果机器运行时间变得过短，请立即停止使用。否则可能会导致过热、起火甚至爆炸。
4. 如果电解液进入您的眼睛，用清水将其冲洗干净并立即就医。否则可能会导致视力受损。
5. 请勿使电池组短路：
 - (1) 请勿使任何导电材料碰触到端子。
 - (2) 避免将电池组与其他金属物品如钉子、硬币等放置在同一容器内。
 - (3) 请勿将电池组置于水中或使其淋雨。电池短路将产生大的电流，导致过热，并可能导致起火甚至击穿。
6. 请勿在温度可能达到或超过50°C（122°F）的场所存放以及使用工具和电池组。
7. 即使电池组已经严重损坏或完全磨损，也请勿焚烧电池组。电池组会在火中爆炸。
8. 请勿对电池组射钉，或者切削、挤压、抛掷、掉落电池组，又或者用硬物撞击电池组。否则可能引起火灾、过热或爆炸。
9. 请勿使用损坏的电池。

10. 本工具附带的锂离子电池需符合危险品法规要求。

第三方或转运营代理等进行商业运输时，应遵循包装和标识方面的特殊要求。有关运输项目的准备作业，咨询危险品方面的专业人士。同时，请遵守可能更为详尽的国家法规。

请使用胶带保护且勿遮掩表面的联络信息，并牢固封装电池，使电池在包装内不可动。

11. 丢弃电池组时，需将其从工具上卸下并在安全地带进行处理。关于如何处理废弃的电池，请遵循当地法规。
12. 仅将电池用于Makita（牧田）指定的产品。将电池安装至不兼容的产品会导致起火、过热、爆炸或电解液泄漏。
13. 如长时间未使用工具，必须将电池从工具内取出。
14. 使用工具期间以及使用工具之后，电池组温度可能较高易引起灼伤或低温烫伤。处理高温电池组时请小心操作。
15. 在使用工具后请勿立即触碰工具的端子，否则可能引起灼伤。
16. 避免锯屑、灰尘或泥土卡入电池组的端子、孔口和凹槽内。否则可能会导致过热、着火、爆炸和工具/电池组故障，导致烫伤或人身伤害。
17. 除非工具支持在高压电源线路附近使用，否则请勿在高压电源线路附近使用电池组。否则可能导致工具或电池组故障或失常。
18. 确保电池远离儿童。

请保留此说明书。

小心： 请仅使用Makita（牧田）原装电池。使用非Makita（牧田）原装电池或经过改装的电池可能会导致电池爆炸，从而造成火灾、人身伤害或物品受损。同时也会导致牧田工具和充电器的牧田保修服务失效。

保持电池最大使用寿命的提示

1. 在电池组电量完全耗尽前及时充电。发现工具电量低时，请停止工具操作，并给电池组充电。
2. 请勿对已充满电的电池组重新充电。过度充电将缩短电池的使用寿命。
3. 请在10 °C - 40 °C (50 °F - 104 °F) 的室温条件下给电池组充电。请在灼热的电池组冷却后再充电。

4. 不使用电池组时，请将其从工具或充电器上拆除。
5. 如果电池组长时间（超过六个月）未使用，请给其充电。

功能描述

小心： 调节或检查本机功能之前，请务必关闭机器电源并取出电池组。

显示电池的剩余电量

仅限带指示灯的电池组

► 图片1: 1. 指示灯 2. CHECK（查看）按钮

按电池组上的CHECK（查看）按钮可显示电池剩余电量。指示灯将亮起数秒。

指示灯			剩余电量
■ 点亮	□ 熄灭	▧ 闪烁	
■ ■ ■ ■			75%至100%
■ ■ ■ □			50%至75%
■ ■ □ □			25%至50%
■ □ □ □			0%至25%
▧ □ □ □			给电池充电。
■ ■ □ □			电池可能出现故障。
□ □ ■ ■			

注： 在不同的使用条件及环境温度下，指示灯所示电量可能与实际情况略有不同。

注： 当电池保护系统启动时，第一个（最左侧）指示灯将闪烁。

调节修剪高度

警告： 调节修剪高度时，切勿使手和腿置于修剪机机身之下。

小心： 在调节修剪高度之前，请务必关闭机器电源并取出电池组。

可在10 mm至55 mm范围内调节修剪高度。

► **图片2：** 1. 锁定按钮 2. 调节杆

将一只手放在本机的主机上，然后用另一只手在按下调节杆上锁定按钮的同时，将调节杆向前或向后移动到所需高度。在所需高度松开锁定按钮。

► **图片3**

注意： 调节后请务必将锁定按钮正确锁定。

注： 仅可将修剪高度数值作为参考。草坪和地面的状况会使草坪高度与设定的高度略有不同。

注： 请在不显眼的位置进行测试修剪以获得理想的修剪高度。

开关操作

警告： 在安装电池组之前，请务必检查开关柄是否能扣动自如，释放时能否退回至原位。若机器上的开关无法扣动自如，将可能导致失控，并造成严重的人身伤害。

警告： 为了您的安全，本机器配备了锁止按钮，可防止机器误启动。如果在拉动开关柄，但没有按下锁止按钮的情况下机器仍可启动，则切勿使用本机器。请当地Makita（牧田）维修服务中心进行修复。

警告： 切勿禁用锁定功能或封住锁止按钮。

注意： 在没有压下锁止按钮的情况下，请勿用力拉动开关柄。否则开关可能会损坏。

要启动机器，首先压下锁止按钮，然后扣动左侧或右侧的开关柄。要停止机器，释放开关柄。开关柄释放时，锁止按钮将自动返回锁定位置。

► **图片4：** 1. 锁止按钮 2. 开关柄

机器 / 电池保护系统

本机器配备有机器 / 电池保护系统。该系统可自动切断电机电源以延长机器和电池寿命。作业时，如果机器或电池处于以下任一情况，机器将会自动停止运转。

过载保护

以导致异常高电流的方式操作机器/电池时，机器会自动停止运转并且指示灯将呈红色点亮。在这种情况下，请关闭机器并停止导致机器过载的应用程序。然后开启机器以重新启动。

过热保护

当机器过热时，机器会自动停止运转并且指示灯呈红色点亮。请等待机器冷却后再重新启动工具。

过放电保护

当剩余的电池电量过低时，指示灯会呈红色闪烁。此时若继续使用，机器将停止运转并且指示灯将呈红色亮起。在这种情况下，请给电池组充电。

► **图片5：** 1. 指示灯

其他原因防护

保护系统还能够在出现其他可能导致机器受损的情况时使机器自动停止运转。请在机器暂时或中途停止工作时，执行以下所有步骤以排除故障源。

1. 关闭机器，然后再次重新启动。
2. 给电池充电或更换为充电电池。
3. 请等待机器和电池冷却。

如果保护系统恢复后仍无改善，请联络当地的Makita（牧田）维修服务中心。

注： 指示灯亮起的时间取决于工作场所的温度和电池组的状态。

电子功能

- 电动制动器
本机器配备有电动制动器。
如果在释放开关柄后，工具始终无法快速停止，请交由Makita（牧田）维修中心进行维修。
- 软启动
打开开关时，电机以最小回弹开始顺畅旋转。

装配

⚠️小心：对机器执行任何操作前，请务必取出电池组。未取出电池组可能会因意外启动而导致严重的人身伤害。

提起把手

向内滑动两个锁定杆，用另一只手提起把手直至其停止。

- ▶ **图片6：** 1. 锁定杆 2. 把手
- ▶ **图片7**

展开把手

打开把手两侧的锁定杆，然后拉动把手将其展开。在所需高度闭合锁定杆。

- ▶ **图片8：** 1. 锁定杆

安装草篮

将草篮挂在机器的后侧。

- ▶ **图片9：** 1. 草篮 2. 框架

注意： 务必将草篮框架放入机器的凹槽内，以便将草篮安装到正确位置。

- ▶ **图片10**

安装或拆卸电池组

⚠️小心： 安装或拆卸电池组之前，请务必关闭机器电源。

⚠️小心： 请勿用湿手插入或取出电池。否则会造成触电。

⚠️小心： 安装或拆卸电池组时，请握紧机器和电池组。否则它们可能从您的手中滑落，导致机器和电池组受损，甚至造成人身伤害。

⚠️小心： 使用前务必锁紧电池盖。以免泥土、灰尘或有水进入，使产品或电池组受损。

⚠️小心： 务必将电池组完全装入。否则，它可能会从机器中意外脱落，从而造成您自身或他人受伤。

⚠️小心： 请勿强行安装电池组。如果电池组难以插入，可能是插入方法不当。

⚠️小心： 打开或关闭电池盖时请小心不要夹住您的手指。

安装电池组；

1. 打开电池盖。
2. 将电池组上的舌簧与修剪机上的槽对齐，然后滑动电池组，直到电池组锁定并发出卡嗒声为止。
3. 关闭电池盖并推动直至其与卡钩扣合。

从修剪机上拆下电池组；

1. 打开电池盖。
 2. 向上滑动电池组前侧的按钮，同时将电池组从修剪机中抽出。然后关闭电池盖。
- ▶ **图片11：** 1. 电池盖 2. 电池组 3. 按钮

操作

修剪

⚠️警告： 操作修剪机前，请务必佩戴带有侧面罩的护目镜或安全眼镜。

⚠️警告： 开始修剪操作前，请清除修剪区域内的树枝和石块。此外，还要事先清除修剪区域内的任何杂草。

- ▶ **图片12**

⚠️小心： 如果割掉的草或异物堵塞在修剪机机身内部，请务必取下电池组，然后佩戴手套清除草或异物。

注意： 本机器仅作修剪草坪之用。请勿使用本机器修剪杂草。

修剪时务必双手牢牢握住把手。

- ▶ **图片13**

修剪速度建议为每米2至4秒左右1。

- ▶ **图片14**

机器前部两侧的标签是修剪宽度的参照线。以标签为参照线，进行长条形修剪。与上一次的长条形重叠二分之一至三分之一，以均匀修剪草坪。

- ▶ **图片15：** 1. 修剪宽度 2. 重叠区域 3. 修剪宽度标签

每次都要改变修剪方向，以免草坪纹路只朝一个方向。

- ▶ **图片16：** 1. 第一次 2. 第二次 3. 第三次

定期检查草篮中剪除的草。在草篮装满前将其清空。每次定期检查前务必停止机器。

注：在草篮已满的情况下使用修剪机，会有碍于修剪机刀片顺畅旋转并给电机施加额外负载，这可能会导致故障。

修剪长草草坪

请勿试图一次性修剪较长的草。相反，请分阶段修剪草坪。可间隔一天或两天进行修剪，直至草坪高度统一。

▶ **图片17**

注：一次性将较长的草修剪得比较短，可能会导致草枯萎。切割下来的草也可能会堵塞修剪机机身内部。

搬运和存放

⚠小心：折叠把手时，请小心以免手指卡入。

⚠小心：务必将把手正确固定到止动器中。

搬运

⚠小心：搬运修剪机时，务必使修剪机刀片位于外侧并远离身体。

要搬运修剪机，请固定把手，并如图所示搬运。

▶ **图片18：1. 修剪机刀片**

存放

取下草篮，然后缩短把手。（参考“装配”。）折叠把手，直至把手由止动器固定到位。如图所示放置机器和钩挂草篮。

▶ **图片19：1. 止动器**

存放锁定销和六角扳手

锁定销和六角扳手可存放在电池盖内。不使用时，请贮存锁定销和六角扳手以防丢失。

▶ **图片20：1. 锁定销 2. 六角扳手**

保养

⚠警告：执行保养前，请从机器取下电池组，然后确认修剪机刀片已完全静止。

⚠小心：执行保养时务必佩戴手套。

为了保证产品的安全与可靠性，维修、任何其他维修保养或调节需由Makita（牧田）授权的或工厂维修服务中心完成。务必使用Makita（牧田）的替换部件。

修剪后执行保养

修剪后，请使用干布或浸有肥皂水的布擦拭机器。还要用软刷毛刷掉修剪机刀片上的草屑和泥土。

⚠小心：清洁时，请勿将水喷洒或倾倒在机器上。请勿用水管冲洗，避免电机和电气连接部件进水。

注意：切勿使用汽油、苯、稀释剂、酒精或类似物品清洁工具。否则可能会导致工具变色、变形或出现裂缝。

更换修剪机刀片

⚠小心：请勿使用除标准六角扳手以外的任何其他扳手更换修剪机刀片。使用其他扳手会导致过紧或松动，从而造成人身伤害。

1. 从修剪机上拆下电池组。将其存放于儿童接触不到的安全位置。

2. 折叠把手，然后翻转机器。

▶ **图片21**

3. 将锁定销穿过底板内的孔，将其插入机体内的孔中。

▶ **图片22：1. 底板 2. 锁定销 3. 孔**

4. 使用六角扳手拧松六角螺栓。

▶ **图片23：1. 六角螺栓 2. 锁定销 3. 六角扳手**

5. 拧松固定底板的两个六角螺栓，然后拆下底板。

▶ **图片24：1. 底板 2. 六角螺栓**

6. 拆下六角螺栓、外法兰和修剪机刀片。

▶ **图片25：1. 六角螺栓 2. 外法兰 3. 修剪机刀片**

7. 放置新修剪机刀片、外法兰和六角螺栓，然后暂时拧紧六角螺栓。务必使底板上的箭头和修剪机刀片上的箭头都指向相同方向。

► **图片26:** 1. 六角螺栓 2. 外法兰 3. 修剪机刀片

8. 按如图所示的顺序安装底板，然后拧紧两个六角螺栓。

► **图片27:** 1. 凹槽 2. 底板 3. 六角螺栓

⚠小心： 务必将底板完全插入机器，使机器上的突起完全插入底板的凹槽中。否则可能会造成人身伤害，因为底板可能会由于六角螺栓错位而脱落。

9. 将锁定销插入底板上的孔中，然后使用六角扳手牢固拧紧六角螺栓将修剪机刀片固定。

► **图片28:** 1. 六角螺栓 2. 锁定销 3. 六角扳手

选购附件

⚠小心： 这些附件或装置专用于本说明书所列的**Makita（牧田）**工具。如使用其他厂牌附件或装置，可能导致人身伤害。仅可将附件或装置用于规定目的。

如您需要了解更多关于这些选购附件的信息，请咨询当地的**Makita（牧田）**维修服务中心。

- 修剪机刀片
- **Makita（牧田）**原装电池和充电器

注： 本列表中的一些部件可能作为标准配件包含于工具包装内。它们可能因销往国家之不同而异。

SPESIFIKASI

Model:		DLM230
Kecepatan tanpa beban		7.000 min ⁻¹
Ketinggian pemotongan		10 mm - 55 mm
Lebar pemotongan		230 mm
Dimensi (P x L x T)	selama pengoperasian (dengan keranjang rumput)	P: 860 mm hingga 1.105 mm L: 256 mm T: 680 mm hingga 920 mm
	pada saat disimpan (tanpa keranjang rumput) (dengan posisi tegak lurus)	264 mm x 363 mm x 780 mm
Tegangan terukur		D.C. 18 V
Berat bersih		8,6 - 8,9 kg
Derajat perlindungan		IPX4

- Karena kesinambungan program penelitian dan pengembangan kami, spesifikasi yang disebutkan di sini dapat berubah tanpa pemberitahuan.
- Spesifikasi dapat berbeda dari satu negara ke negara lainnya.
- Berat alat mungkin berbeda tergantung perangkat tambahan yang dipasang, termasuk kartrid baterai. Kombinasi alat terberat dan teringan, sesuai Prosedur EPTA 01/2014, ditunjukkan pada tabel.

Kartrid dan pengisi daya baterai yang dapat digunakan

Kartrid baterai	BL1820B / BL1830B / BL1840B / BL1850B / BL1860B
Pengisi daya	DC18RC / DC18RD / DC18RE / DC18SD / DC18SE / DC18SF / DC18SH

- Beberapa kartrid baterai dan pengisi daya yang tercantum di atas mungkin tidak tersedia, tergantung wilayah tempat tinggal Anda.


⚠ PERINGATAN: Hanya gunakan kartrid dan pengisi daya baterai yang tercantum di atas. Penggunaan kartrid dan pengisi daya baterai lain dapat menimbulkan risiko cedera dan/atau kebakaran.


⚠ PERINGATAN: Jangan menggunakan suplai daya berkabel seperti adaptor baterai atau paket daya portabel dengan mesin ini. Kabel suplai daya dapat menghalangi pengoperasian dan mengakibatkan cedera pribadi.


Simbol


Berikut ini adalah simbol-simbol yang dapat digunakan pada peralatan ini. Pastikan Anda memahami arti masing-masing simbol sebelum menggunakan peralatan.

 Berhati-hatilah dan pusatkan perhatian Anda.

 Baca petunjuk penggunaan.

 Bahaya; hati-hati terhadap objek yang terlempar.

 Jarak antara peralatan dan orang-orang di sekitar harus sedikitnya 15 m.

 Jangan letakkan tangan dan kaki Anda di dekat pisau pemotong di bawah pemotong rumput. Pisau pemotong masih tetap berputar setelah motor dimatikan.



Peringatan; Lepaskan baterai sebelum melakukan pemeliharaan.



Pastikan untuk memasang keranjang rumput sebelum digunakan.



Peringatan; Jangan mendekatkan tangan, jari, atau kaki ke pisau pemotong.

Penggunaan

Mesin ini digunakan untuk memotong rumput.

PERINGATAN KESELAMATAN

PETUNJUK KESELAMATAN PENTING

⚠️ PERINGATAN: Bacalah semua peringatan keselamatan dan semua petunjuk. Kelalaian mematuhi peringatan dan petunjuk dapat menyebabkan sengatan listrik, kebakaran dan/atau cedera serius.

Simpanlah semua peringatan dan petunjuk untuk acuan di masa depan.

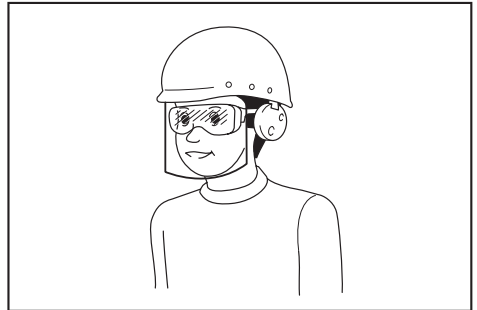
Pelatihan

1. Baca petunjuk dengan saksama. Pahami kontrol dan cara penggunaan pemotong yang benar.
2. Jangan biarkan pemotong rumput ini digunakan oleh anak-anak atau orang yang tidak terbiasa menggunakannya. Peraturan setempat mungkin membatasi usia operator.
3. Jangan gunakan pemotong jika ada orang, khususnya anak-anak, atau binatang peliharaan di dekatnya.
4. Selalu ingat bahwa operator atau pengguna bertanggung jawab atas kecelakaan atau bahaya yang terjadi pada orang-orang lain atau propertinya.
5. Awasi anak-anak untuk memastikan mereka tidak bermain-main dengan pemotong rumput ini.
6. Jangan mengoperasikan mesin dalam lingkungan yang dapat memicu ledakan, misalnya jika ada cairan, gas, atau debu yang mudah terbakar. Mesin menimbulkan bunga api yang dapat membakar debu atau uap.
7. Kondisi fisik - Jangan mengoperasikan pemotong rumput saat Anda dalam pengaruh obat-obatan terlarang, alkohol, atau obat-obatan lainnya.

Persiapan

1. Saat mengoperasikan pemotong, selalu kenakan alas kaki dan celana panjang yang memadai. Jangan mengoperasikan pemotong rumput tanpa mengenakan alas kaki, atau hanya dengan mengenakan sandal. Hindari memakai pakaian atau perhiasan yang longgar atau yang memiliki gantungan atau ikatan. Bagian-bagian tersebut mungkin saja tersangkut pada komponen mesin yang bergerak.
2. Sebelum digunakan, selalu periksa secara visual pemotong untuk menemukan pengaman atau pelindung yang rusak, hilang atau salah ditempatkan.

3. Pastikan tidak ada orang lain di sekitar sebelum mulai memotong rumput. Hentikan pemotong apabila ada orang yang masuk ke area kerja.
4. Jangan masukkan kartrid baterai ke dalam pemotong sampai siap digunakan.
5. Gunakan alat pelindung diri. Selalu gunakan pelindung mata. Peralatan pelindung seperti masker debu, sepatu pengaman anti-selip, helm pengaman, atau pelindung telinga yang digunakan untuk kondisi yang sesuai akan mengurangi risiko cedera badan.
6. Selalu kenakan kacamata pelindung untuk melindungi mata dari cedera saat menggunakan mesin listrik. Kacamata harus sesuai dengan ANSI Z87.1 di Amerika Serikat, EN 166 di Eropa, atau AS/NZS 1336 di Australia/Selandia Baru. Di Australia/Selandia Baru, secara hukum Anda juga diwajibkan mengenakan pelindung wajah untuk melindungi wajah Anda.



Menjadi tanggung jawab atasannya untuk menerapkan penggunaan alat pelindung keselamatan yang tepat bagi operator mesin dan orang lain yang berada di area kerja saat itu.

7. Sebelum dioperasikan, periksa pisau pemotong atau baut pisau pemotong dengan saksama untuk memastikan tidak ada bagian yang retak atau rusak. Segera ganti pisau pemotong atau baut pisau pemotong yang retak atau rusak.
8. Untuk menghindari cedera perseorangan atau kerusakan pada pemotong, singkirkan benda-benda asing seperti batu, kawat, botol, tulang, dan tongkat besar dari area kerja sebelum mulai memotong rumput.
9. Objek yang terpental dari mata pisau pemotong dapat menyebabkan cedera berat pada manusia. Rumput harus diperiksa dengan cermat dan dibersihkan dari segala objek setiap kali sebelum mulai memotong.
10. Perhatikan lubang, bekas roda, gundukan, batu, atau benda tersembunyi lainnya. Medan yang tidak rata dapat menyebabkan kecelakaan terpeleset dan jatuh. Rumput yang tinggi dapat menutupi penghalang.

11. Jagalah agar gagang dan permukaan pegangan tetap kering, bersih, dan bebas dari minyak dan pelumas. Gagang dan permukaan pegangan yang licin tidak mendukung keamanan penanganan dan pengendalian mesin dalam situasi-situasi tak terduga.
14. Jangan letakkan tangan atau kaki di dekat atau di bawah bagian yang berputar. Selalu jaga jarak dari lubang pembuangan.

Pengoperasian

1. Bekerjalah sesuai jangkauan Anda. Jaga keseimbangan yang tepat. Pastikan pijakan sempurna saat berdiri di area miring. Berjalanlah, jangan berlari.
2. Hentikan pemotong dan lepaskan kartrid baterai, dan pastikan semua bagian yang bergerak telah berhenti sepenuhnya:
 - saat Anda meninggalkan pemotong,
 - sebelum membersihkan sumbatan atau saat membersihkan saluran yang tersumbat
 - sebelum memeriksa, membersihkan atau menggunakan pemotong,
 - setelah membentur benda asing. Periksa apakah ada kerusakan pada pemotong, dan lakukan perbaikan sebelum kembali menyalakan dan mengoperasikannya,
 - saat pemotong mulai bergetar secara abnormal.
3. Jangan pernah mengoperasikan pemotong dengan mengenakan pengaman atau pelindung yang cacat, atau tanpa memasang perangkat pengaman, misalnya deflektor dan/atau keranjang rumput.
4. Hindari menggunakan pemotong saat kondisi cuaca buruk, terutama jika terdapat risiko adanya sambaran petir.
5. Gunakan pelindung mata dan sepatu dengan bahan kulit saat mengoperasikan pemotong.
6. Gunakan mesin pemotong hanya di siang hari atau dalam kondisi cahaya mencukupi.
7. Nyalakan pemotong perlahan sesuai instruksi, dan jaga jarak kaki Anda dari pisau pemotong.
8. Berhati-hatilah terhadap cedera pada kaki dan tangan karena pisau pemotong.
9. Selalu pastikan saluran ventilasi bebas dari serpihan.
10. Untuk area miring, lakukan pemotongan melintasi permukaan bagian miringnya, bukan naik dan turun. Perhatikan pada saat mengubah arah di area miring. Jangan memotong secara berlebihan di area miring yang curam.
11. Sangat berhati-hatilah saat memundurkan atau menarik pemotong ke arah Anda.
12. Hentikan pisau pemotong jika pemotong harus digerakkan dengan cara dimiringkan saat melintasi permukaan selain rumput, serta saat Anda memindahkan pemotong ke dan dari area kerja.
13. Jangan memiringkan pemotong saat menyalakan motornya, kecuali jika pemotong harus dimiringkan saat dinyalakan. Dalam hal ini, jangan memiringkan pemotong secara berlebihan, dan angkatlah hanya bagian yang semestinya, yaitu yang berjauhan dengan operator. Selalu pastikan kedua tangan berada pada posisi pengoperasian sebelum mengembalikan pemotong ke tanah.
15. Jangan memindahkan pemotong selama masih dalam kondisi menyala.
16. Hindari lingkungan yang berbahaya. Jangan gunakan mesin di lokasi yang lembap dan basah, atau membiarkannya terkena hujan. Air yang masuk ke dalam mesin akan meningkatkan risiko sengatan listrik.
17. Hindari penggunaan pemotong pada rumput basah.
18. Jangan gunakan pemotong saat hujan.
19. Selalu pegang kuat-kuat pada bagian pegangannya.
20. Saat mengangkat atau memegang mesin pemotong, jangan menggenggam pisau pemotong atau tepian pemotong yang terlihat.
21. Jauhkan tangan dan kaki dari pisau pemotong yang berputar. Perhatian - Pisau pemotong masih akan berputar melambat setelah sakelar mesin dimatikan.
22. Segera hentikan pengoperasian jika Anda merasa ada yang tidak normal. Matikan pemotong dan lepaskan kartrid baterai. Kemudian, periksa pemotong.
23. Jangan pernah mencoba menyetel ketinggian pemotongan ketika mesin sedang bekerja apabila terdapat fitur tersebut pada mesin.
24. Lepaskan tuas sakelar dan tunggu hingga pisau pemotong berhenti berputar sebelum melintasi area parkir, area pejalan kaki, jalan, dan area-area lain yang tertutup kerikil. Selain itu, cabut kartrid baterai jika Anda akan meninggalkan pemotong, mengambil atau menyingkirkan sesuatu di sekitar Anda, atau melakukan hal-hal lain yang dapat mengalihkan perhatian dari pekerjaan Anda.
25. Jika pemotong membentur benda asing, ikuti langkah-langkah berikut:
 - Hentikan pemotong, lepaskan tuas sakelar dan tunggu hingga pisau pemotong berhenti sepenuhnya.
 - Lepaskan kartrid baterai.
 - Periksa mesin secara menyeluruh untuk memastikan apakah ada bagian yang rusak.
 - Gantilah pisau pemotong jika rusak. Perbaiki segala kerusakan sebelum kembali menyalakan mesin dan melanjutkan pengoperasian pemotong rumput.
26. Jangan menyalakan pemotong saat Anda berdiri di depan lubang pembuangan.
27. Jika pemotong tiba-tiba bergetar secara tidak biasa (segera periksa)
 - periksa apakah ada kerusakan,
 - ganti atau perbaiki semua komponen yang rusak,
 - periksa dan kencangkan semua komponen yang kendur.
28. Jangan pernah mengarahkan bahan yang dikeluarkan ke siapa pun. Hindari mengeluarkan bahan ke arah dinding atau penghalang. Bahan dapat memantul kembali ke arah operator. Hentikan pisau pemotong saat melewati permukaan berkerikil.

29. **Jangan tarik pemotong ke belakang kecuali jika benar-benar diperlukan.** Ketika Anda terpaksa untuk menarik pemotong rumput dari pagar atau penghalang serupa lainnya, lihat ke bawah dan ke belakang sebelum dan saat bergerak ke belakang.
30. **Matikan motor dan tunggu sampai pisau pemotong berhenti sepenuhnya sebelum melepas keranjang rumput.** Berhati-hatilah karena pisau pemotong masih berputar setelah dimatikan.

Perawatan dan penyimpanan

1. **Ganti bagian yang aus atau rusak untuk menjamin keamanan.** Gunakan hanya komponen dan aksesoris pengganti yang asli.
2. **Periksa dan rawat pemotong secara rutin.**
3. **Saat tidak digunakan, simpan mesin pemotong jauh dari jangkauan anak-anak.**
4. **Kencangkan semua mur, baut, dan sekrup pengencang untuk memastikan bahwa mesin aman untuk digunakan.**
5. **Sering-seringlah memeriksa keranjang rumput untuk memastikan tidak ada bagian yang aus atau cacat.** Untuk penyimpanan, selalu pastikan keranjang rumput kosong. Untuk menjamin keamanan, ganti keranjang rumput yang aus dengan komponen pengganti dari pabrik.
6. **Gunakan hanya pisau pemotong asli dari pabrik yang ditentukan dalam buku petunjuk ini.**
7. **Berhati-hatilah saat menyesuaikan pengaturan pemotong agar jari-jemari Anda tidak tersangkut di antara pisau pemotong yang bergerak dan bagian tidak bergerak pada pemotong.**
8. **Jangan mencuci pemotong dengan selang; jangan sampai ada air yang masuk ke dalam motor atau sambungan listrik.**
9. **Saat memasang pisau pemotong, pastikan pisau pemotong terpasang dengan kuat.** Baca dan ikuti instruksi buku petunjuk ini dengan saksama. Pemasangan yang tidak memadai atau tidak lengkap dapat menyebabkan cedera.
10. **Periksa baut pemasangan pisau pemotong secara berkala dan sering untuk memastikan kecanggihannya.**
11. **Selalu biarkan pemotong mendingin sebelum disimpan.**
12. **Saat memperbaiki pisau pemotong, perhatikan bahwa walaupun sakelar mesin telah dimatikan, pisau pemotong masih tetap dapat bergerak.**
13. **Jangan pernah melepas atau merusak alat keselamatan.** Periksa pengoperasian yang tepat secara rutin. Jangan pernah melakukan apa pun untuk menginterferensi fungsi alat keselamatan yang dimaksudkan atau untuk mengurangi perlindungan yang diberikan oleh alat keselamatan.

Penggunaan dan pemeliharaan mesin bertenaga baterai

1. **Isi ulang baterai hanya dengan pengisi daya yang ditentukan oleh pabrik.** Pengisi daya yang cocok untuk satu jenis paket baterai dapat menimbulkan risiko kebakaran ketika digunakan untuk paket baterai yang lain.
2. **Gunakan mesin listrik hanya dengan paket baterai yang telah ditentukan secara khusus.** Penggunaan paket baterai lain dapat menimbulkan risiko cedera dan kebakaran.
3. **Ketika paket baterai tidak digunakan, jauhkan dari benda logam lain, seperti penjepit kertas, uang logam, kunci, paku, sekrup atau benda logam kecil lainnya, yang dapat menghubungkan satu terminal ke terminal lain.** Hubungan singkat terminal baterai dapat menyebabkan luka bakar atau kebakaran.
4. **Pemakaian yang salah, dapat menyebabkan keluarnya cairan dari baterai; hindari kontak.** Jika terjadi kontak secara tidak sengaja, bilas dengan air. Jika cairan mengenai mata, cari bantuan medis. Cairan yang keluar dari baterai bisa menyebabkan iritasi atau luka bakar.
5. **Jangan menggunakan paket baterai atau mesin yang sudah rusak atau telah diubah.** Baterai yang rusak atau telah diubah dapat menyebabkan hal-hal yang tidak dapat diprediksi yang dapat menyebabkan kebakaran, ledakan atau risiko cedera.
6. **Jangan membiarkan paket baterai atau mesin dekat dengan api atau suhu yang berlebihan.** Paparan api atau suhu di atas 130 °C dapat menyebabkan ledakan.
7. **Ikuti semua petunjuk pengisian daya dan jangan mengisi daya paket baterai atau mesin di luar rentang suhu yang ditentukan di panduan.** Mengisi daya secara tidak tepat atau pada suhu di luar rentang yang ditentukan dapat merusak baterai dan meningkatkan risiko kebakaran.

Keselamatan listrik dan baterai

1. **Jangan buang baterai ke nyala api.** Sel baterai dapat meledak. Periksa kode setempat untuk petunjuk pembuangan khusus yang memungkinkannya.
2. **Jangan buka atau bongkar baterai.** Elektrolit yang terlepas bersifat korosif dan dapat melukai mata atau kulit. Zat tersebut dapat beracun jika tertelan.
3. **Jangan mengisi daya baterai saat hujan, atau di lokasi yang basah.**
4. **Jangan mengisi daya baterai di luar ruangan.**
5. **Jangan memegang pengisi daya, termasuk steker pengisi daya, dan terminal pengisi daya dengan tangan basah.**

Servis

1. Berikan mesin listrik untuk diperbaiki hanya kepada oleh teknisi yang berkualifikasi dengan menggunakan hanya suku cadang pengganti yang serupa. Hal ini akan menjamin terjaganya keamanan mesin listrik.
2. Jangan pernah memperbaiki paket baterai yang sudah rusak. Perbaikan paket baterai harus dilakukan hanya oleh produsen atau penyedia servis resmi.

SIMPAN PETUNJUK INI.

⚠️PERINGATAN: JANGAN biarkan kenyamanan atau terbiasanya Anda dengan produk (karena penggunaan berulang) mengurangi kepatuhan yang ketat terhadap aturan keselamatan untuk produk yang terkait.

PENYALAHGUNAAN atau kelalaian mematuhi kaidah keselamatan yang tertera dalam petunjuk ini dapat menyebabkan cedera badan serius.

Petunjuk keselamatan penting untuk kartrid baterai

1. Sebelum menggunakan kartrid baterai, bacalah semua petunjuk dan penandaan pada (1) pengisi daya baterai, (2) baterai, dan (3) produk yang menggunakan baterai.
2. Jangan membongkar atau memodifikasi kartrid baterai. Tindakan tersebut dapat menimbulkan api, panas berlebih, atau ledakan.
3. Jika waktu beroperasinya menjadi sangat singkat, segera hentikan penggunaan. Hal tersebut dapat menimbulkan risiko panas berlebih, kemungkinan mengalami luka bakar atau bahkan terjadi ledakan.
4. Jika elektrolit mengenai mata Anda, basuh dengan air bersih dan segera cari pertolongan medis. Hal tersebut dapat mengakibatkan hilangnya kemampuan penglihatan Anda.
5. Jangan menghubungkan terminal kartrid baterai:
 - (1) Jangan menyentuh terminal dengan bahan penghantar listrik apa pun.
 - (2) Hindari menyimpan kartrid baterai pada wadah yang berisi benda logam lain seperti paku, uang logam, dsb.
 - (3) Jangan membiarkan baterai terkena air atau kehujanan.Hubungan singkat baterai dapat menyebabkan aliran arus listrik yang besar, panas berlebih, kemungkinan mengalami luka bakar dan bahkan kerusakan pada baterai.
6. Jangan menyimpan dan menggunakan mesin dan kartrid baterai pada lokasi dengan suhu yang bisa mencapai atau melebihi 50 °C (122 °F).
7. Jangan membuang kartrid baterai di tempat pembakaran sampah walaupun benar-benar rusak atau tidak bisa digunakan sama sekali. Kartrid baterai bisa meledak jika terbakar.
8. Jangan memaku, memotong, menghancurkan, melempar, menjatuhkan kartrid baterai, atau memukulkan benda keras ke kartrid baterai. Tindakan tersebut dapat menimbulkan api, panas berlebih, atau ledakan.
9. Jangan menggunakan baterai yang rusak.
10. **Baterai litium-ion yang disertakan sesuai dengan persyaratan Perundangan Makanan Berbahaya.** Harus ada pengawasan untuk pengangkutan komersial misalnya oleh pihak ketiga, ekspeditor, persyaratan khusus terhadap pengemasan dan pelabelan. Diperlukan adanya konsultasi dengan ahli mengenai material berbahaya untuk persiapan barang yang akan dikirimkan. Perhatikan pula peraturan nasional yang lebih terperinci yang mungkin ada. Beri perekat atau tutupi bagian yang terbuka dan kemasi baterai dengan cara yang tidak akan menimbulkan pergeseran dalam pengemasan.
11. Ketika membuang kartrid baterai, lepaskan dari mesin dan buang ke tempat yang aman. Patuhi peraturan setempat yang berkaitan dengan pembuangan baterai.
12. Gunakan baterai hanya dengan produk yang ditentukan oleh Makita. Memasang baterai pada produk yang tidak sesuai dapat menyebabkan kebakaran, kelebihan panas, ledakan, atau kebocoran elektrolit.
13. Jika mesin tidak digunakan dalam jangka waktu yang lama, baterai harus dilepas dari mesin.
14. Selama dan setelah digunakan, kartrid baterai mungkin menyimpan panas yang dapat menyebabkan luka bakar atau luka bakar suhu rendah. Perhatikan cara memegang kartrid baterai yang masih panas.
15. Jangan langsung menyentuh terminal mesin setelah digunakan karena suhunya mungkin cukup panas untuk menyebabkan luka bakar.
16. Jangan biarkan serpihan, debu, atau tanah menempel di terminal, lubang, dan alur kartrid baterai. Hal tersebut dapat menyebabkan pemanasan, kebakaran, ledakan, dan kegagalan fungsi mesin atau kartrid baterai, yang mengakibatkan luka bakar atau cedera diri.
17. Kecuali jika mesin mendukung penggunaan di dekat saluran listrik bertegangan tinggi, jangan gunakan kartrid baterai di dekat saluran listrik bertegangan tinggi. Hal tersebut dapat mengakibatkan kegagalan fungsi atau kerusakan mesin maupun kartrid baterai.
18. Jauhkan baterai dari jangkauan anak-anak.

SIMPAN PETUNJUK INI.

⚠️PERHATIAN: Gunakan baterai asli Makita. Penggunaan baterai Makita yang tidak asli, atau baterai yang sudah diubah, akan mengakibatkan baterai mudah terbakar, cedera dan kerusakan. Akan menghilangkan garansi Makita pada pengisi daya dan alat Makita.

Tip untuk menjaga agar umur pemakaian baterai maksimum

1. Isi ulang kartrid baterai sebelum habis sama sekali. Selalu hentikan penggunaan mesin dan ganti kartrid baterai jika Anda melihat bahwa mesin kurang tenaga.
2. Jangan pernah mengisi ulang kartrid baterai yang sudah diisi penuh. Pengisian ulang yang berlebih memperpendek umur pemakaian baterai.
3. Isi ulang kartrid baterai pada suhu ruangan 10 °C - 40 °C. Biarkan kartrid baterai yang panas menjadi dingin terlebih dahulu sebelum diisi ulang.
4. Saat kartrid baterai tidak digunakan, lepaskan dari mesin atau pengisi daya.
5. Isi ulang daya kartrid baterai jika Anda tidak menggunakannya untuk jangka waktu yang lama (lebih dari enam bulan).

DESKRIPSI FUNGSI

PERHATIAN: Selalu pastikan bahwa mesin sudah dimatikan dan kartrid baterai dilepas sebelum menyetel atau memeriksa fungsi mesin.

Mengindikasikan kapasitas baterai yang tersisa

Hanya untuk kartrid baterai dengan indikator

► **Gbr.1:** 1. Lampu indikator 2. Tombol pemeriksaan

Tekan tombol pemeriksaan pada kartrid baterai untuk melihat kapasitas baterai yang tersisa. Lampu indikator menyala selama beberapa detik.

Lampu indikator			Kapasitas yang tersisa
Menyala	Mati	Berkedip	
			75% hingga 100%
			50% hingga 75%
			25% hingga 50%
			0% hingga 25%
			Isi ulang baterai.
			Baterai mungkin sudah rusak.

CATATAN: Tergantung kondisi penggunaan dan suhu lingkungannya, penunjukkan mungkin saja sedikit berbeda dari kapasitas sebenarnya.

CATATAN: Lampu indikator pertama (ujung kiri) akan berkedip ketika sistem perlindungan mesin bekerja.

Menyesuaikan ketinggian pemotongan

PERINGATAN: Jangan letakkan kaki atau tangan Anda di bawah badan pemotong saat menyesuaikan ketinggian pemotongan.

PERHATIAN: Selalu pastikan bahwa mesin dimatikan dan kartrid baterai dilepas sebelum menyesuaikan ketinggian pemotongan.

Anda dapat menyesuaikan ketinggian pemotongan di kisaran 10 mm hingga 55 mm.

► **Gbr.2:** 1. Tombol kunci 2. Tuas penyetel

Letakkan satu tangan pada unit utama mesin, dan kemudian gerakkan tuas penyetel ke depan atau ke belakang ke ketinggian yang diinginkan dengan tangan lainnya sambil menekan tombol pengunci pada tuas penyetel. Lepaskan tombol kunci pada ketinggian yang dikehendaki.

► **Gbr.3**

PEMBERITAHUAN: Pastikan tombol kunci terkunci dengan benar setelah penyetelan.

CATATAN: Gambar ketinggian pemotongan harus digunakan sebagai panduan saja. Tergantung pada kondisi rumput atau tanah, ketinggian rumput yang sebenarnya mungkin saja sedikit berbeda dari ketinggian yang disetel.

CATATAN: Lakukan percobaan dengan memotong rumput di tempat yang aman untuk menentukan ketinggian yang sesuai.

Kerja sakelar

PERINGATAN: Sebelum memasang kartrid baterai, selalu pastikan bahwa tuas sakelar bergerak sebagaimana mestinya dan kembali ke posisi awalnya saat dilepaskan. Penggunaan mesin dengan sakelar yang tidak berfungsi dengan baik dapat menyebabkan kehilangan kontrol dan cedera serius.

PERINGATAN: Untuk keselamatan Anda, mesin ini dilengkapi tombol buka kunci untuk mencegah hidupnya mesin secara tidak disengaja. Jangan pernah menggunakan mesin jika mesin tersebut menyala ketika Anda hanya menarik tuas sakelarnya tanpa menekan tombol buka kunci. Mintalah kepada Pusat Layanan Makita terdekat untuk memperbaikinya.

PERINGATAN: Jangan pernah menonaktifkan fungsi pengunci atau melakkan tombol buka kunci.

PEMBERITAHUAN: Jangan menarik tuas sakelar dengan paksa tanpa menekan tombol buka kunci. Sakelar dapat patah.

Untuk menghidupkan mesin, pertama-tama tekan tombol buka kunci dan tekan tuas sakelar kiri maupun kanan. Untuk menghentikan mesin, lepaskan tuas sakelar. Saat tuas sakelar dilepaskan, tombol buka kunci akan kembali secara otomatis ke posisi terkunci.

► **Gbr.4:** 1. Tombol pengunci 2. Tuas sakelar

Sistem perlindungan mesin / baterai

Mesin ini dilengkapi dengan sistem perlindungan mesin/baterai. Sistem ini memutuskan aliran daya ke motor secara otomatis untuk memperpanjang umur pakai mesin dan baterai. Mesin akan berhenti secara otomatis saat dioperasikan jika mesin atau baterai mengalami salah satu dari kondisi-kondisi berikut.

Perlindungan kelebihan beban

Jika mesin atau baterai digunakan dengan cara yang menjadikan baterai mengeluarkan arus tinggi yang berlebihan, mesin akan berhenti secara otomatis dan lampu indikator menyala merah. Dalam situasi ini, matikan mesin dan hentikan pekerjaan yang menyebabkan peralatan mengalami kelebihan beban. Kemudian, nyalakan mesin untuk kembali melanjutkan pekerjaan.

Perlindungan panas berlebih

Saat mesin menjadi terlalu panas, mesin akan berhenti secara otomatis dan lampu indikator akan menyala merah. Biarkan mesin menjadi dingin sebelum dinyalakan kembali.

Perlindungan pengisian daya berlebih

Saat kapasitas baterai yang tersisa lemah, lampu indikator akan berkedip warna merah. Bila terus digunakan, mesin akan berhenti dan lampu indikator akan menyala warna merah. Untuk situasi ini, lakukan pengisian daya kartrid baterai.

► **Gbr.5:** 1. Lampu indikator

Perlindungan terhadap penyebab lain

Sistem perlindungan juga dirancang untuk penyebab lain yang dapat merusak mesin dan memungkinkan mesin untuk berhenti secara otomatis. Lakukan semua langkah berikut ini untuk mengatasi penyebabnya, saat mesin dihentikan sementara atau berhenti beroperasi.

1. Matikan mesin, dan kemudian hidupkan kembali untuk memulai ulang.
2. Isi baterai atau ganti dengan baterai yang sudah diisi ulang.
3. Biarkan mesin dan baterai menjadi dingin.

Jika tidak ada peningkatan yang dapat ditemukan dengan memulihkan sistem perlindungan, hubungi Pusat Servis Makita setempat Anda.

CATATAN: Kondisi tersebut, saat lampu menyala, tergantung pada suhu di tempat kerja dan kondisi kartrid baterai.

Fungsi elektronik

- Rem elektrik
Mesin ini dilengkapi dengan rem elektrik. Jika mesin selalu gagal melakukan pemberhentian cepat setelah tuas sakelar dilepaskan, servis mesin di pusat servis Makita.
- Awal pengerjaan yang lembut
Saat sakelar dihidupkan, motor mulai berputar dengan lancar dengan recoil minimal.

PERAKITAN

PERHATIAN: Selalu pastikan kartrid baterai telah dilepas sebelum melakukan pekerjaan apa pun pada mesin. Kelalaian dalam melepaskan kartrid baterai dapat mengakibatkan cedera badan yang serius akibat penyalaaan yang tidak disengaja.

Menaikkan pegangan

Geser kedua tuas kunci ke dalam dan angkat pegangan dengan tangan lainnya hingga berhenti.

► **Gbr.6:** 1. Tuas kunci 2. Pegangan

► **Gbr.7**

Merentangkan pegangan

Buka tuas kunci di kedua sisi pegangan, dan kemudian rentangkan pegangan dengan menariknya. Tutup tuas kunci pada ketinggian yang dikehendaki.

► **Gbr.8:** 1. Tuas kunci

Memasang keranjang rumput

Kaitkan keranjang rumput ke sisi belakang mesin.

► **Gbr.9:** 1. Keranjang rumput 2. Rangka

PEMBERITAHUAN: Pastikan untuk memasang keranjang rumput pada posisi yang benar dengan mengatur rangka keranjang rumput pada alur mesin.

► **Gbr.10**

Memasang atau melepas baterai

⚠️ PERHATIAN: Selalu matikan mesin sebelum memasang atau melepas kartrid baterai.

⚠️ PERHATIAN: Jangan memasang atau mengeluarkan baterai dengan tangan yang basah. Jika tidak, sengatan listrik dapat terjadi.

⚠️ PERHATIAN: Pegang mesin dan kartrid baterai dengan kuat saat memasang atau melepas kartrid baterai. Apabila mesin dan kartrid baterai tidak dipegang dengan kuat, mesin dapat terlepas dari tangan Anda dan mengakibatkan kerusakan pada kartrid baterai dan serta menyebabkan cedera badan.

⚠️ PERHATIAN: Pastikan Anda telah mengunci penutup baterai sebelum menggunakan mesin. Jika tidak, kartrid baterai mungkin saja rusak akibat lumpur, kotoran, atau air.

⚠️ PERHATIAN: Selalu pasang kartrid baterai dengan penuh. Jika tidak, kartrid baterai dapat terlepas dari mesin secara tidak sengaja, menyebabkan cedera pada Anda atau orang di sekitar Anda.

⚠️ PERHATIAN: Jangan memasang kartrid baterai secara paksa. Jika kartrid tidak dapat didorong masuk dengan mudah, berarti cara pemasangannya salah.

⚠️ PERHATIAN: Berhati-hatilah agar jari Anda tidak terjepit saat membuka atau menutup penutup baterai.

Untuk memasang kartrid baterai;

1. Buka penutup baterai.
2. Sesuaikan lidah pada kartrid baterai dengan celah pada pemotong, kemudian dorong baterai hingga terpasang di tempatnya dan berbunyi klik pelan.
3. Tutuplah penutup baterai dan tekan hingga terkunci oleh kait.

Untuk melepas kartrid baterai dari pemotong;

1. Buka penutup baterai.
 2. Tarik kartrid baterai dari pemotong sambil menggeser tombol di bagian depan kartrid. Kemudian tutup penutup baterai.
- **Gbr.11:** 1. Penutup baterai 2. Kartrid baterai
3. Tombol

PENGUNAAN

Pemotongan

⚠️ PERINGATAN: Selalu kenakan kaca mata pelindung atau kaca mata pengaman dengan pelindung samping saat mengoperasikan pemotong.

⚠️ PERINGATAN: Sebelum memotong, bersihkan semua batang dan batu dari area pemotongan. Selain itu, bersihkan terlebih dahulu semua semak dari area pemotongan.

► **Gbr.12**

⚠️ PERHATIAN: Jika rumput yang terpotong atau benda asing menyumbat bagian dalam bodi pemotong, pastikan Anda melepas kartrid baterai serta mengenakan sarung tangan sebelum membersihkan rumput atau benda asing tersebut.

PEMBERITAHUAN: Gunakan mesin hanya untuk memotong rumput. Jangan memotong semak-semak dengan mesin ini.

Saat memotong, genggam pegangan kencang-kencang dengan kedua tangan Anda.

► **Gbr.13**

Kecepatan pemotongan menurut pedoman adalah sekitar 2 hingga 4 detik per 1 meter.

► **Gbr.14**

Label di kedua sisi bagian depan mesin adalah panduan untuk lebar pemotongan. Dengan mengacu pada label tersebut, potong rumput secara berlajur. Potong lajur berikutnya dengan menimpa setengah hingga sepertiga bagian dari lebar lajur potongan sebelumnya, agar rumput terpotong secara merata.

► **Gbr.15:** 1. Lebar pemotong 2. Bagian yang ditimpa
3. Label lebar pemotongan

Ganti arah pemotongan tiap lajur untuk mencegah pola helai rumput terbentuk hanya ke satu arah.

► **Gbr.16:** 1. Pertama kali 2. Kedua kali 3. Ketiga kali

Periksa isi keranjang rumput secara rutin. Kosongkan keranjang sebelum penuh. Sebelum pemeriksaan rutin, pastikan Anda telah mematikan mesin.

CATATAN: Pengoperasian pemotong dengan keranjang rumput dalam kondisi penuh akan menghambat laju putaran pisau pemotong dan mengakibatkan beban lebih besar pada motor, yang dapat menyebabkan mesin macet.

Memotong rumput tinggi

Jangan mencoba memotong rumput tinggi sekaligus. Sebaliknya, potong rumput secara bertahap. Beri jeda satu atau dua hari antar pemotongan hingga rumput terpotong pendek secara merata.

► **Gbr.17**

CATATAN: Memotong rumput tinggi sekaligus hingga langsung menjadi pendek dapat mengakibatkan rumput mati. Potongan rumput juga mungkin menggumpal di dalam badan pemotong.

PEMINDAHAN DAN PENYIMPANAN

PERHATIAN: Berhati-hatilah agar jari tidak terjepit saat melipat pegangan.

PERHATIAN: Pastikan pegangan telah terpasang dengan benar pada penahan.

Memindahkan peralatan

PERHATIAN: Saat memindahkan pemotong rumput, pastikan pisau pemotong berada di luar dan jauh dari tubuh Anda.

Untuk memindahkan pemotong rumput, kencangkan pegangan, dan bawa sebagaimana ditunjukkan dalam gambar.

► **Gbr.18:** 1. Pisau pemotong

Penyimpanan

Lepaskan keranjang rumput, kemudian pendekkan pegangan. (Baca "PERAKITAN".) Lipat pegangan hingga pegangan berada di tempatnya oleh penahan.

Tempatkan mesin dan kaitkan keranjang rumput sebagaimana ditunjukkan dalam gambar.

► **Gbr.19:** 1. Penahan

Menyimpan pin pengunci dan kunci L

Pin pengunci dan kunci L dapat disimpan di dalam penutup baterai.

Saat tidak digunakan, simpan pin pengunci dan kunci L agar tidak hilang.

► **Gbr.20:** 1. Pin pengunci 2. Kunci L

PERAWATAN

PERINGATAN: Sebelum melakukan perawatan, keluarkan kartrid baterai dari mesin, dan pastikan bahwa pisau pemotong telah berhenti total.

PERHATIAN: Ketika melakukan perawatan, selalu kenakan sarung tangan.

Untuk menjaga KEAMANAN dan KEANDALAN mesin, perbaikan, perawatan atau penyetelan lainnya harus dilakukan oleh Pusat Layanan Resmi atau Pabrik Makita; selalu gunakan suku cadang pengganti buatan Makita.

Perawatan setelah memotong rumput

Setelah memotong rumput, lap mesin dengan kain kering atau kain yang dicelupkan dalam air sabun. Selain itu, gunakan sikat lembut untuk membersihkan potongan rumput dan kotoran dari pisau pemotong.

PERHATIAN: Saat membersihkan, jangan menyemprotkan atau menuangkan air ke mesin. Jangan mencuci pemotong dengan selang; jangan sampai ada air yang masuk ke dalam motor atau sambungan listrik.

PEMBERITAHUAN: Jangan sekali-kali menggunakan bensin, tiner, alkohol, atau bahan sejenisnya. Penggunaan bahan demikian dapat menyebabkan perubahan warna, perubahan bentuk atau timbulnya retakan.

Mengganti pisau pemotong

PERHATIAN: Jangan gunakan kunci pas selain kunci L standar untuk mengganti pisau pemotong. Menggunakan kunci pas lain dapat menyebabkan pengencangan berlebih atau kurang, yang dapat mengakibatkan cedera.

1. Lepas kartrid baterai dari pemotong. Simpan di tempat yang aman dari jangkauan anak-anak.
2. Lipat pegangan dan balikkan mesin.
► **Gbr.21**
3. Masukkan pin pengunci melalui lubang di pelat bawah dan masukkan ke lubang di bodi utama.
► **Gbr.22:** 1. Pelat bawah 2. Pin pengunci 3. Lubang
4. Gunakan kunci L untuk mengendurkan baut segi enam.
► **Gbr.23:** 1. Baut segi enam 2. Pin pengunci 3. Kunci L
5. Kendurkan kedua baut segi enam yang menahan pelat bawah, dan lepaskan pelat bawah.
► **Gbr.24:** 1. Pelat bawah 2. Baut segi enam
6. Lepas baut segi enam, flensa luar, dan pisau pemotong.
► **Gbr.25:** 1. Baut segi enam 2. Flensa luar 3. Pisau pemotong

7. Tempatkan pisau pemotong baru, flensa luar, dan baut segi enam, dan kemudian kencangkan baut segi enam untuk sementara. Pastikan bahwa panah pada pelat bawah dan panah pada pisau pemotong mengarah ke arah yang sama.

► **Gbr.26:** 1. Baut segi enam 2. Flensa luar 3. Pisau pemotong

8. Pasang pelat bawah sesuai urutan yang ditunjukkan dalam gambar, dan kemudian kencangkan kedua baut segi enam.

► **Gbr.27:** 1. Takik 2. Pelat bawah 3. Baut segi enam

⚠PERHATIAN: Pastikan untuk memasukkan pelat bawah sepenuhnya ke dalam mesin sehingga tonjolan pada mesin dimasukkan sepenuhnya ke dalam takik pelat bawah. Kegagalan untuk melakukannya dapat menyebabkan cedera karena pelat bawah dapat terlepas karena ketidaksejajaran baut segi enam.

9. Masukkan pin pengunci ke dalam lubang di pelat bawah, dan kemudian kencangkan baut segi enam dengan kuat menggunakan kunci L untuk mengencangkan pisau pemotong.

► **Gbr.28:** 1. Baut segi enam 2. Pin pengunci 3. Kunci L

AKSESORI PILIHAN

⚠PERHATIAN: Dianjurkan untuk menggunakan aksesori atau perangkat tambahan ini dengan mesin Makita Anda yang ditentukan dalam petunjuk ini. Penggunaan aksesori atau perangkat tambahan lain bisa menyebabkan risiko cedera pada manusia. Hanya gunakan aksesori atau perangkat tambahan sesuai dengan peruntukannya.

Jika Anda memerlukan bantuan lebih rinci berkenaan dengan aksesori ini, tanyakan pada Pusat Layanan Makita terdekat.

- Pisau pemotong
- Baterai dan pengisi daya asli buatan Makita

CATATAN: Beberapa item dalam daftar tersebut mungkin sudah termasuk dalam paket mesin sebagai aksesori standar. Hal tersebut dapat berbeda dari satu negara ke negara lainnya.

SPEKIFIKASI

Model:		DLM230
Kelajuan tanpa beban		7,000 min ⁻¹
Ketinggian pemotongan		10 mm - 55 mm
Lebar pemotongan		230 mm
Dimensi (P x L x T)	semasa pengendalian (dengan bakul rumput)	P: 860 mm hingga 1,105 mm L: 256 mm T: 680 mm hingga 920 mm
	apabila disimpan (tanpa bakul rumput) (dengan kedudukan tegak)	264 mm x 363 mm x 780 mm
Voltan terkadar		D.C. 18 V
Berat bersih		8.6 - 8.9 kg
Tahap perlindungan		IPX4

- Disebabkan program penyelidikan dan pembangunan kami yang berterusan, spesifikasi yang terkandung di dalam ini adalah tertakluk kepada perubahan tanpa notis.
- Spesifikasi mungkin berbeza mengikut negara.
- Berat mungkin berbeza bergantung kepada pemasangan, termasuk kartrij bateri. Kombinasi paling ringan dan paling berat, mengikut Prosedur EPTA 01/2014, ditunjukkan di dalam jadual.

Kartrij bateri dan pengecas yang boleh digunakan

Kartrij bateri	BL1820B / BL1830B / BL1840B / BL1850B / BL1860B
Pengecas	DC18RC / DC18RD / DC18RE / DC18SD / DC18SE / DC18SF / DC18SH






- Sesetengah kartrij bateri dan pengecas yang disenaraikan di atas mungkin tidak tersedia bergantung pada kawasan kediaman anda.




⚠️ AMARAN: Hanya menggunakan kartrij bateri dan pengecas yang disenaraikan di atas. Penggunaan mana-mana kartrij bateri dan pengecas lain boleh menyebabkan kecederaan dan/atau kebakaran.

⚠️ AMARAN: Tidak menggunakan bekalan kuasa yg dikodkan dgn tali seperti penyesuai bateri atau pek kuasa mudah alih dengan mesin ini. Kabel bekalan kuasa mungkin menghalang pengendalian dan mengakibatkan kecederaan peribadi.

Simbol

Berikut menunjukkan simbol-simbol yang boleh digunakan untuk alat ini. Pastikan anda memahami maksudnya sebelum menggunakan.

	Sila gunakan dengan berhati-hati dan penuh perhatian.
	Baca manual arahan.
	Bahaya; berhati-hati dengan objek terbang.
	Jarak antara alat dan orang sekeliling mesti sekurang-kurangnya 15 m.
	Jangan letakkan tangan dan kaki anda berdekatan bilah pemangkas di bawah pemangkas. Bilah pemangkas terus berputar selepas motor dimatikan.

	Amaran; Cabut bateri sebelum penyelenggaraan.
	Pastikan untuk memasang bakul rumput sebelum digunakan.
	Amaran; Jangan letakkan tangan, jari atau kaki berdekatan dengan bilah pemangkas.

Tujuan penggunaan

Mesin ini bertujuan untuk memangkas rumput.

AMARAN KESELAMATAN

ARAHAN KESELAMATAN PENTING

⚠️AMARAN: Baca semua amaran keselamatan dan semua arahan. Kegagalan mematuhi amaran dan arahan boleh menyebabkan kejutan elektrik, kebakaran dan/atau kecederaan serius.

Simpan semua amaran dan arahan untuk rujukan masa depan.

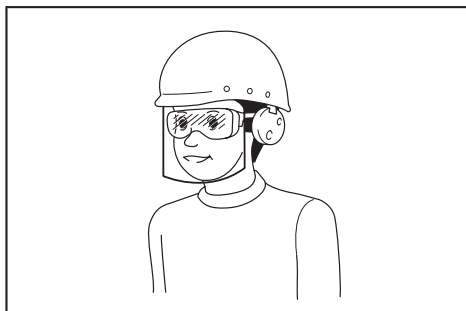
Latihan

1. Baca manual arahan dengan teliti. Biasakan dengan kawalan dan penggunaan pemangkas yang betul.
2. Jangan sekali-kali benarkan kanak-kanak atau orang yang tidak biasa dengan arahan ini untuk menggunakan pemangkas. Peraturan keselamatan setempat boleh menyekat umur pengendali.
3. Jangan sekali-kali kendalikan pemangkas ketika orang, terutamanya kanak-kanak atau haiwan peliharaan berdekatan.
4. Ingat bahawa pengendali atau pengguna bertanggungjawab ke atas sebarang kemalangan atau bahaya yang berlaku kepada orang lain atau harta benda mereka.
5. Kanak-kanak harus diselia untuk memastikan mereka tidak bermain dengan pemangkas ini.
6. Jangan kendalikan mesin dalam atmosfera yang mudah meletup, seperti dengan kehadiran cecair, gas atau debu mudah terbakar. Mesin menghasilkan percikan api yang boleh menyalakan debu atau wasap.
7. Keadaan fizikal - Jangan kendalikan pemangkas semasa di bawah pengaruh dadah, alkohol atau sebarang ubat.

Persediaan

1. Semasa mengendalikan pemangkas, sentiasa pakai kasut yang betul dan seluar panjang. Jangan kendalikan pemangkas semasa berkaki ayam atau memakai sandal terbuka. Elakkan memakai pakaian atau barang kemas yang longgar atau mempunyai tali atau ikatan yang tergantung. Ia boleh tersangkut pada bahagian yang sedang bergerak.
2. Sebelum guna, sentiasa memeriksa secara visual pemangkas untuk pengawal atau perisai yang rosak, hilang atau tersalah letak.
3. Pastikan tidak terdapat orang lain di kawasan sebelum memangkas. Hentikan pemangkas jika sesiapa sahaja memasuki kawasan.
4. Jangan masukkan kartrij bateri ke dalam pemangkas sehingga ia sedia untuk digunakan.

5. Gunakan peralatan pelindung diri. Sentiasa pakai pelindung mata. Peralatan pelindung seperti topeng debu, kasut keselamatan tak mudah tergelincir, topi keselamatan atau pelindung pendengaran yang digunakan untuk keadaan yang sesuai akan mengurangkan kecederaan diri.
6. Sentiasa pakai kaca mata pelindung untuk melindungi mata anda daripada kecederaan apabila menggunakan alat kuasa. Kaca mata mestilah mematuhi ANSI Z87.1 di AS, EN 166 di Eropah, atau AS/NZS 1336 di Australia/New Zealand. Di Australia/New Zealand, undang-undang mengarahkan untuk memakai pelindung muka bagi melindungi muka anda, juga.



Menjadi tanggungjawab majikan untuk menguatkuasa penggunaan peralatan perlindungan keselamatan yang bersesuaian oleh pengendali alat dan oleh orang lain dalam kawasan bekerja semasa.

7. Periksa bilah pemangkas atau bolt bilah pemangkas dengan teliti untuk retak atau kerosakan sebelum pengendalian. Gantikan bilah pemangkas yang retak atau rosak dengan segera.
8. Keluaran benda asing seperti batu, wayar, botol, tulang dan kayu besar dari kawasan kerja sebelum memangkas untuk mengelakkan kecederaan peribadi dan kerosakan pada pemangkas.
9. Objek yang tersangkut oleh bilah pemangkas boleh mengakibatkan kecederaan parah kepada seseorang. Laman harus sentiasa diperiksa dengan berhati-hati dan dibersihkan daripada semua objek bagi setiap kali pemangkasan.
10. Lihat lubang, bekas roda, bonggol, batu, atau objek tersembunyi yang lain. Kawasan tidak sekata boleh menyebabkan kecederaan tergelincir dan jatuh. Rumput yang tinggi boleh menyembunyikan halangan.
11. Pastikan pemegang dan permukaan pegangan kering, bersih dan bebas dari minyak dan gris. Pemegang dan permukaan pegangan yang licin tidak membolehkan pengendalian dan kawalan selamat bagi alat dalam situasi yang tidak dijangka.

Pengendalian

1. Jangan lampau jangkau. Jaga keseimbangan pada setiap masa. Sentiasa pastikan pijak anda pada cerun. Berjalan, jangan sekali-kali berlari.
2. Hentikan pemangkas dan keluarkan kartrij bateri dan pastikan semua bahagian bergerak telah berhenti sepenuhnya:
 - pada bila-bila masa anda meninggalkan pemangkas,
 - sebelum anda membersihkan sekatan atau membuang sumbatan pada pelongsor,
 - sebelum memeriksa, bersihkan atau bekerja dengan pemangkas,
 - selepas terkena objek asing. Periksa pemangkas sebarang kerosakan dan baik sebelum memulakan semula dan mengendalikan pemangkas,
 - setiap kali pemangkas mula bergetar tidak seperti biasa.
3. Jangan sekali-kali mengendalikan pemangkas dengan pengadang atau pelindung yang telah rosak, atau tanpa alat keselamatan, sebagai contoh pemotong dan/atau pengumpul rumput di tempatnya.
4. Elakkan menggunakan pemangkas dalam keadaan cuaca yang buruk terutama apabila terdapat risiko kilat.
5. Pakai perlindungan mata dan kasut kuat pada setiap masa semasa mengendalikan mesin pemangkas.
6. Kendalikan pemangkas hanya pada siang hari atau dalam cahaya buatan yang baik.
7. Hidupkan pemangkas dengan berhati-hati mengikut arahan dan kaki berada jauh daripada bilah pemangkas.
8. Berwaspada terhadap kecederaan pada kaki dan tangan daripada bilah pemangkas.
9. Sentiasa pastikan yang bukaan pengudaraan bebas daripada habuk.
10. Pangkas merentasi muka cerun, jangan sekali-kali ke atas dan ke bawah. Amalkan lebih pengawasan semasa mengubah arah pada cerun. Jangan memangkas secara berlebihan pada cerun curam.
11. Gunakan lebih pengawasan semasa menterbalikkan atau menarik pemangkas ke arah anda.
12. Hentikan bilah pemangkas jika pemangkas perlu dicondongkan untuk diangkat apabila menyeberangi permukaan selain daripada rumput dan apabila mengangkat pemangkas ke dan dari kawasan untuk digunakan.
13. Jangan condongkan pemangkas semasa menghidupkan motor, kecuali jika pemangkas hendak dicondongkan untuk hidup. Dalam keadaan ini, jangan sengetkan ia lebih daripada yang diperlukan dan angkat hanya bahagian yang jauh daripada pengendali. Sentiasa memastikan bahawa kedua-dua tangan berada dalam kedudukan pengendalian sebelum mengembalikan pemangkas ke tanah.
14. Jangan letakkan tangan atau kaki berdekatan atau di bawah bahagian berputar. Sentiasa pastikan bukaan buangan bersih setiap masa.
15. Jangan angkut pemangkas semasa pemangkas dihidupkan.
16. Elakkan persekitaran yang bahaya. Jangan gunakan mesin dalam lokasi sampah atau basah atau menedahkan mesin kepada hujan. Air yang memasuki mesin akan meningkatkan risiko kejutan elektrik.
17. Elakkan mengendalikan pemangkas dalam rumput yang basah.
18. Jangan sekali-kali mengendalikan pemangkas dalam hujan.
19. Sentiasa pegang dengan kemas pada pemegang.
20. Jangan genggam bilah pemangkas atau hujung pemotong yang terdedah semasa mengutip atau memegang pemangkas.
21. Jauhkan tangan dan kaki daripada bilah pemangkas yang berputar. Awas - Bilah pemangkas meluncur selepas pemangkas dimatikan.
22. Hentikan operasi serta-merta jika anda mendapati sesuatu yang luar biasa. Matikan pemangkas dan keluarkan kartrij bateri. Kemudian, periksa pemangkas.
23. Jangan sekali-kali cuba membuat pelarasan ketinggian pemotong semasa pemangkas sedang berjalan jika pemangkas mempunyai ciri pelarasan ketinggian pemangkas.
24. Lepaskan tuil suis dan tunggu putaran bilah pemangkas berhenti sebelum menyeberang jalan masuk rumah, laluan, jalan dan sebarang kawasan kerikil. Keluarkan juga kartrij bateri jika anda meninggalkan pemangkas, mencapai untuk mengutip atau mengeluarkan sesuatu dari laluan anda atau apa-apa sebab lain yang mungkin mengganggu perkara yang sedang anda lakukan.
25. Jika pemangkas terkena objek asing, ikuti langkah berikut:
 - Hentikan pemangkas, lepaskan tuil suis dan tunggu sehingga bilah pemangkas berhenti sepenuhnya.
 - Keluarkan kartrij bateri.
 - Periksa pemangkas dengan teliti bagi melihat sebarang kerosakan.
 - Gantikan bilah pemangkas jika ia rosak dalam apa keadaan pun. Baik sebarang kerosakan sebelum memulakan semula dan meneruskan operasi pemangkas.
26. Jangan hidupkan pemangkas semasa berdiri di hadapan bukaan buangan.
27. Jika pemangkas mula bergetar secara tidak normal (periksa serta-merta)
 - periksa kerosakan,
 - ganti atau baik mana-mana bahagian yang rosak,
 - periksa dan ketatkan mana-mana bahagian longgar.
28. Jangan sekali-kali mengarahkan bahan yang dilepaskan ke arah sesiapa sahaja. Elakkan daripada mengeluarkan bahan bertentangan dinding atau halangan. Bahan boleh memantul kembali ke arah pengendali. Hentikan bilah pemangkas ketika melintasi permukaan kerikil.

29. **Jangan tarik pemangkas ke belakang melainkan jika perlu.** Jika anda memaksa menyokong pemangkas dari pagar atau halangan lain yang sama, lihat ke bawah dan belakang sebelum dan semasa menggerakkan ke belakang.
30. **Matikan motor dan tunggu sehingga bilah pemangkas selesai berhenti sebelum mengeluarkan bakul rumput.** Berhati-hati bahawa bilah pemangkas meluncur selepas dimatikan.

Penyelenggaraan dan penyimpanan

1. **Gantikan bahagian yang haus atau rosak untuk keselamatan.** Gunakan alat ganti dan aksesori gantian yang asli sahaja.
2. **Memeriksa dan mengekalkan pemangkas dengan kerap.**
3. **Apabila tidak guna, simpan pemangkas jauh daripada kanak-kanak.**
4. **Pastikan semua nat, bolt dan skru ketat untuk memastikan alat dalam keadaan kerja yang selamat.**
5. **Periksa bakul rumput secara kerap untuk sebarang kehausan atau kecacatan.** Untuk penyimpanan, sentiasa pastikan bakul rumput kosong. Menggantikan bakul rumput yang lama dengan pengganti kilang baru untuk keselamatan.
6. **Gunakan hanya bilah pemangkas asli pengeluar yang dinyatakan dalam manual ini.**
7. **Berhati-hati semasa pelarasan pemangkas untuk mengelakkan jari terperangkap di antara bilah pemangkas yang bergerak dan bahagian tetap pemangkas.**
8. **Jangan basuh dengan hos; elakkan air terkena pada motor dan sambungan elektrik.**
9. **Apabila memasang bilah pemangkas, pastikan bilah pemangkas dipasang dengan kukuh. Baca dan ikuti manual arahan dengan berhati-hati.** Penetapan yang tidak mencukupi dan tidak lengkap mungkin mengakibatkan kecederaan.
10. **Periksa bolt pelekapan bilah pemangkas secara kerap untuk memastikan ia diketatkan dengan betul.**
11. **Sentiasa biarkan pemangkas sejuk sebelum menyimpan.**
12. **Semasa melakukan servis pada bilah pemangkas, perhatikan bahawa walaupun sumber kuasa dimatikan, bilah pemangkas masih boleh bergerak.**
13. **Jangan sekali-kali mengeluarkan atau menyentuh peranti keselamatan.** Semak operasi yang betul dengan kerap. Jangan sekali-kali melakukan apa-apa untuk mengganggu fungsi yang dimaksudkan untuk peranti keselamatan atau untuk mengurangkan perlindungan yang disediakan oleh peranti keselamatan.

Penggunaan dan penjagaan alat bateri

1. **Cas semula dengan pengecas yang ditentukan oleh pengeluar sahaja.** Pengecas yang sesuai untuk satu jenis pek bateri mungkin menimbulkan risiko kebakaran apabila digunakan dengan pek bateri lain.
2. **Gunakan alat kuasa dengan pek bateri yang ditentukan secara khusus sahaja.** Penggunaan mana-mana pek bateri lain mungkin menimbulkan risiko kecederaan dan kebakaran.
3. **Apabila pek bateri tidak digunakan, jauhkannya daripada objek logam lain, seperti klip kertas, duit syiling, kunci, paku, skru atau objek logam kecil lain, yang boleh membuat sambungan dari satu terminal ke terminal yang lain.** Memintas terminal bateri bersama-sama mungkin menyebabkan lecuran atau kebakaran.
4. **Di bawah keadaan kasar, cecair mungkin dikeluarkan daripada bateri; elakkan sentuhan.** Jika tersentuh secara tidak sengaja, siram dengan air. Jika cecair terkena mata, dapatkan bantuan perubatan di samping siraman air. Cecair yang dikeluarkan dari bateri mungkin menyebabkan kegatalan atau luka kebakaran.
5. **Jangan gunakan pek bateri atau alat yang rosak atau diubah suai.** Bateri yang rosak atau diubah suai mungkin menunjukkan perilaku yang tidak dijangka menyebabkan kebakaran, letupan atau risiko kecederaan.
6. **Jangan dedahkan pek bateri atau alat kepada api atau suhu yang berlebihan.** Pendedahan kepada api atau suhu melebihi 130 °C mungkin menyebabkan letupan.
7. **Ikut semua arahan pengecasan dan jangan cas pek bateri atau alat di luar julat suhu yang ditetapkan dalam arahan.** Mengecas dengan tidak betul atau pada suhu di luar julat yang dinyatakan mungkin merosakkan bateri dan meningkatkan risiko kebakaran.

Keselamatan elektrik dan bateri

1. **Jangan hapuskan bateri dengan membakarnya.** Sel mungkin meletup. Periksa dengan kod tempatan untuk kemungkinan arahan pelupusan khas.
2. **Jangan buka atau merosakkan bateri.** Elektrolit yang dibebaskan adalah menghakis dan boleh menyebabkan kerosakan kepada mata atau kulit. Ia mungkin toksik jika tertelan.
3. **Jangan cas bateri dalam hujan, atau di lokasi yang basah.**
4. **Jangan cas bateri di luar.**
5. **Jangan kendalikan pengecas, termasuk palam pengecas, dan terminal pengecas dengan tangan yang basah.**

Servis

1. **Pastikan alat kuasa anda diservis oleh orang yang berkelayakan dengan hanya menggunakan alat ganti yang sama.** Ini akan memastikan keselamatan alat kuasa dapat dikekalkan.
2. **Jangan sekali-kali melakukan servis pada pek bateri yang telah rosak.** Servis pek bateri hanya boleh dilakukan oleh pengeluar atau penyedia servis yang sah.

SIMPAN ARAHAN INI.

AMARAN: JANGAN biarkan keselesaan atau kebiasaan dengan produk (daripada penggunaan berulang) menggantikan pematuhan ketat terhadap peraturan keselamatan untuk produk yang ditetapkan.

SALAH GUNA atau kegagalan mematuhi peraturan-peraturan keselamatan yang dinyatakan dalam manual arahan ini boleh menyebabkan kecederaan diri yang serius.

Arahan keselamatan penting untuk kartrij bateri

1. Sebelum menggunakan kartrij bateri, baca semua arahan dan tanda amaran pada (1) pengecas bateri, (2) bateri, dan (3) produk menggunakan bateri.
2. Jangan buka atau cabut kartrij bateri. Ia boleh mengakibatkan kebakaran, haba berlebihan, atau letupan.
3. Jika masa operasi menjadi sangat pendek, berhenti operasi serta merta. Ia mungkin menyebabkan risiko pemanasan lampau, melecur bahkan letupan.
4. Jika elektrolit masuk ke dalam mata anda, bilas mata dengan air jernih dan dapatkan rawatan perubatan serta merta. Ia mungkin menyebabkan kehilangan penglihatan.
5. Jangan pintaskan kartrij bateri:
 - (1) Jangan sentuh terminal dengan bahan berkonduksi.
 - (2) Elakkan menyimpan kartrij bateri dalam bekas bersama-sama objek besi lain seperti paku, duit syiling, dll.
 - (3) Jangan dedahkan kartrij bateri kepada air atau hujan.Pintasan bateri boleh menyebabkan aliran kuasa yang besar, pemanasan lampau, melecur dan juga kerosakan.
6. Jangan simpan dan gunakan alat dan kartrij bateri di lokasi yang suhunya mungkin mencapai atau melebihi 50 °C (122 °F).
7. Jangan bakar kartrij bateri walaupun jika ia rosak teruk atau haus sepenuhnya. Kartrij bateri boleh meletup dalam kebakaran.
8. Jangan paku, potong, pecahkan, buang, jatuhkan kartrij bateri, atau tekan objek keras pada kartrij bateri. Perbuatan sedemikian boleh mengakibatkan kebakaran, haba berlebihan, atau letupan.
9. Jangan gunakan bateri yang rosak.

10. **Bateri litium ion yang terkandung adalah tertakluk kepada keperluan Perundangan Barangan Berbahaya.**

Bagi pengangkutan komersil cth. oleh pihak ketiga, ejen penghantar, keperluan khas pada pembungkusan dan pelabelan mestilah diperhatikan.

Bagi persediaan item yang dihantar, berunding dengan pakar bahan berbahaya adalah diperlukan. Sila juga perhatikan sebolehnya peraturan kebangsaan yang lebih terperinci. Lekatkan atau balut bahagian terbuka dan pek bateri supaya ia tidak bergerak dalam pembungkusan.
11. **Apabila melupuskan kartrij bateri, keluarkan ia daripada alat dan lupuskan ia di tempat selamat. Ikut peraturan tempatan anda mengenai pelupusan bateri.**
12. **Gunakan bateri hanya dengan produk yang ditentukan oleh Makita.** Memasang bateri kepada produk yang tidak patuh mungkin menyebabkan kebakaran, pemanasan lampau, atau kebocoran elektrolit.
13. **Jika alat tidak digunakan untuk tempoh masa yang lama, bateri mesti dikeluarkan daripada alat.**
14. **Semasa dan selepas penggunaan, kartrij bateri mungkin ada haba yang boleh menyebabkan terbakar atau suhu rendah terbakar. Beri perhatian kepada pengendalian kartrij bateri yang panas.**
15. **Jangan sentuh terminal alat itu selepas digunakan kerana ia mungkin panas menyebabkan terbakar.**
16. **Jangan biarkan cip, habuk, atau tanah terperangkap ke dalam terminal, lubang, dan alur cahaya kartrij bateri.** Ia mungkin menyebabkan pemanasan, terbakar, meletup dan pincang tugas alat atau kartrij bateri, seterusnya menyebabkan lecur atau kecederaan diri.
17. **Melainkan alat ini menyokong penggunaan yang hampir dari talian kuasa elektrik voltan tinggi, jangan gunakan kartrij bateri berhampiran talian kuasa elektrik voltan tinggi.** Ia mungkin menyebabkan kerosakan atau pecah pada alat atau kartrij bateri.
18. **Jauhkan bateri daripada kanak-kanak.**

SIMPAN ARAHAN INI.

PERHATIAN: Hanya gunakan bateri asli Makita. Penggunaan bateri tidak asli Makita, atau bateri yang telah diubah suai, mungkin menyebabkan bateri meletup menyebabkan kebakaran, kecederaan diri dan kerosakan. Ia juga membatalkan jaminan Makita untuk alat Makita dan pengecas.

Tip untuk mengekalkan hayat bateri maksimum

1. Cas kartrij bateri sebelum ternyahcas sepenuhnya. Sentiasa hentikan operasi alat dan cas kartrij bateri apabila anda menyedari kurang kuasa alat.
2. Jangan cas semula kartrij bateri yang dicas sepenuhnya. Terlebih cas memendekkan hayat servis bateri.
3. Cas kartrij bateri dengan suhu bilik pada 10 °C - 40 °C (50 °F - 104 °F). Biarkan kartrij bateri yang panas menyejuk sebelum mengecasnya.
4. Apabila tidak menggunakan kartrij bateri, tanggalkannya dari alat atau pengecas.
5. Cas kartrij bateri jika anda tidak gunakannya untuk tempoh yang lama (lebih daripada enam bulan).

KETERANGAN FUNGSI

















PERHATIAN: Sentiasa pastikan mesin dimatikan dan kartrij bateri ditanggalkan sebelum menyelaraskan atau memeriksa fungsi pada mesin.

Menunjukkan kapasiti bateri yang tinggal

Hanya untuk kartrij bateri dengan penunjuk

► **Rajah1:** 1. Lampu penunjuk 2. Butang semak

Tekan butang semak pada kartrij bateri untuk menunjukkan kapasiti bateri yang tinggal. Lampu penunjuk menyala untuk beberapa saat.

Lampu penunjuk			Kapasiti yang tinggal
 Dinyalakan	 Mati	 Berkelip	
			75% hingga 100%
			50% hingga 75%
			25% hingga 50%
			0% hingga 25%
			Cas bateri.
			Bateri mungkin telah rosak.
		↑ ↓	

NOTA: Bergantung kepada keadaan penggunaan dan suhu persekitaran, penunjuk mungkin berbeza sedikit daripada kapasiti sebenar.

NOTA: Lampu penunjuk (kiri jauh) pertama akan berkedip apabila sistem perlindungan bateri berfungsi.

Laraskan ketinggian pemangkas

AMARAN: Jangan sekali-kali letakkan tangan atau kaki di bawah bilah pemangkas semasa melaraskan ketinggian pemangkas.

PERHATIAN: Sentiasa pastikan mesin dimatikan dan kartrij bateri dikeluarkan sebelum melaraskan ketinggian pemangkas.

Anda boleh melaraskan ketinggian pemangkas dalam julat 10 mm hingga 55 mm.

► **Rajah2:** 1. Butang kunci 2. Tuil pelaras

Letakkan sebelah tangan pada unit utama mesin dan kemudian gerakkan tuil pelarasan ke depan atau ke belakang pada ketinggian yang diinginkan dengan sebelah tangan yang lain semasa menekan butang kunci pada tuil pelaras. Lepaskan butang kunci pada ketinggian yang diinginkan.

► **Rajah3**

NOTIS: Pastikan butang kunci dikunci dengan betul selepas pelarasan.

NOTA: Nilai ketinggian pemangkas hendaklah digunakan hanya sebagai garis panduan. Bergantung kepada keadaan rumput atau tanah, ketinggian rumput yang sebenar mungkin menjadi sedikit berbeza daripada ketinggian set.

NOTA: Cuba uji pemangkasan rumput di tempat mudah dilihat untuk mendapatkan ketinggian yang anda kehendaki.

Tindakan suis

AMARAN: Sebelum memasang kartrij bateri, sentiasa periksa untuk melihat tuil suis bergerak dengan betul dan kembali ke posisi asal apabila dilepaskan. Mengendalikan mesin dengan suis yang tidak bergerak dengan betul boleh menyebabkan hilang kawalan dan kecederaan diri yang serius.

AMARAN: Untuk keselamatan anda, mesin ini dilengkapi dengan butang buka kunci yang mengelakkan mesin bermula dengan tidak disengajakan. Jangan sekali-kali gunakan mesin jika ia bermula apabila anda menarik tuil suis tanpa menekan butang buka kunci. Tanya Pusat Servis Makita tempatan anda untuk pembaikan.

AMARAN: Jangan menahdayakan fungsi kunci atau melekatkan pita pada butang buka kunci.

NOTIS: Jangan tarik tuil suis secara paksa tanpa menekan butang buka kunci. Suis boleh rosak.

Untuk menghidupkan mesin, pertama sekali tekan butang kunci dan himpit masuk kiri atau kanan tuil suis. Untuk menghentikan mesin, lepaskan tuil suis. Apabila tuil suis dilepaskan, butang buka kunci akan kembali secara automatik ke kedudukan terkunci.

► **Rajah4:** 1. Butang buka kunci 2. Tuil suis

Sistem perlindungan bateri / mesin

Mesin dilengkapi dengan sistem perlindungan mesin/bateri. Sistem ini memotong kuasa kepada motor secara automatik untuk memanjangkan hayat mesin dan bateri. Mesin akan berhenti secara automatik ketika operasi jika mesin atau bateri berada di bawah salah satu keadaan yang berikut.

Perlindungan lebih beban

Jika mesin/bateri telah dikendalikan mengikut cara yang menyebabkan ia menarik arus tinggi yang luar biasa, mesin berhenti secara automatik dan lampu penunjuk menyala merah. Dalam situasi ini, matikan mesin dan hentikan penggunaan yang menyebabkan mesin menjadi terlebih beban. Kemudian hidupkan mesin untuk mula semula.

Perlindungan pemanasan lampau

Jika mesin terlampau panas, mesin berhenti secara automatik dan lampu penunjuk menyala merah. Biarkan mesin sejuk sebelum menghidupkan semula mesin.

Perlindungan lebih nyahcas

Apabila kapasiti bateri yang tinggal menjadi lemah, lampu penunjuk berkelip merah. Dengan kegunaan seterusnya, mesin berhenti dan lampu penunjuk menyala merah. Dalam situasi ini, cas kartrij bateri.

► **Rajah5:** 1. Lampu penunjuk

Perlindungan terhadap punca lain

Sistem perlindungan juga direka bentuk untuk punca lain yang boleh merosakkan mesin dan membolehkan mesin berhenti secara automatik. Ambil semua langkah yang berikut untuk membuang punca, apabila mesin telah dibawa kepada berhenti sementara atau berhenti beroperasi.

1. Matikan mesin dan kemudian hidupkan peralatan lagi untuk mula semula.
2. Cas bateri atau gantikan bateri dengan bateri yang telah dicas.
3. Biarkan mesin dan bateri menyejuk.

Jika tiada penambahbaikan boleh didapati melalui pemulihan sistem perlindungan, maka hubungi Pusat Servis Makita tempatan anda.

NOTA: Masa lampu penunjuk menyala bergantung pada suhu di tempat kerja dan keadaan kartrij bateri.

Fungsi elektronik

- Brek elektrik
Mesin ini dilengkapi dengan brek elektrik. Jika alat ini secara konsisten gagal untuk berhenti dengan cepat selepas tuil suis dilepaskan, servis alat di pusat servis Makita.
- Mula ringan
Apabila suis dihidupkan, motor mula berputar dengan lancar dengan sentakan yang minimum.

PEMASANGAN

PERHATIAN: Sentiasa pastikan kartrij bateri dikeluarkan sebelum menjalankan sebarang kerja pada mesin. Kegagalan untuk mengeluarkan kartrij bateri mungkin menyebabkan kecederaan diri yang serius daripada permulaan tanpa sengaja.

Menaikkan pemegang

Luncurkan kedua tuil kunci ke dalam dan naikkan pemegang dengan sebelah tangan yang lain sehingga berhenti.

- **Rajah6:** 1. Tuil kunci 2. Pemegang
► **Rajah7**

Memanjangkan pemegang

Buka tuil kunci pada kedua-dua sisi pemegang dan kemudian panjangkan pemegang dengan menariknya. Tutup tuil kunci pada ketinggian yang diinginkan.

- **Rajah8:** 1. Tuil kunci

Memasang bakul rumput

Cangkukkan bakul rumput pada bahagian belakang mesin.

- **Rajah9:** 1. Bakul rumput 2. Bingkai

NOTIS: Pastikan untuk memasang bakul rumput dalam kedudukan yang betul dengan menetapkan bingkai bakul rumput dalam alur mesin.

- **Rajah10**

Memasang atau mengeluarkan kartrij bateri

⚠️PERHATIAN: Sentiasa matikan mesin sebelum memasang atau mengeluarkan kartrij bateri.

⚠️PERHATIAN: Jangan masukkan atau keluarkan bateri dengan tangan basah. Jika tidak kejutan elektrik akan berlaku.

⚠️PERHATIAN: Pegang mesin dan kartrij bateri dengan kukuh apabila memasang atau mengeluarkan kartrij bateri. Kegagalan untuk memegang mesin dan kartrij bateri dengan kukuh boleh menyebabkan ia terlepas daripada tangan anda dan mengakibatkan kerosakan kepada mesin dan kartrij bateri serta kecederaan diri.

⚠️PERHATIAN: Pastikan anda mengunci penutup bateri sebelum penggunaan. Jika tidak, lumpur, kotoran atau air boleh mengakibatkan kerosakan pada produk atau kartrij bateri.

⚠️PERHATIAN: Sentiasa pasang kartrij bateri sepenuhnya. Jika tidak, ia mungkin terjatuh daripada mesin, menyebabkan kecederaan kepada anda atau seseorang di sekeliling anda.

⚠️PERHATIAN: Jangan pasang kartrij bateri secara paksa. Jika kartrij tidak meluncur dengan mudah, ia tidak dimasukkan dengan betul.

⚠️PERHATIAN: Berhati-hati supaya tidak terkepit jari anda semasa membuka atau menutup penutup bateri.

Untuk memasang kartrij bateri;

1. Buka penutup bateri.
2. Jajarkan lidah pada kartrij bateri dengan slot pada pemangkas dan kemudian luncurkan kartrij sehingga ia terkunci di tempat dengan hanya satu klik.
3. Tutup penutup bateri dan tolak sehingga penutup melekap pada cangkuk.

Untuk mengeluarkan kartrij bateri dari pemangkas;

1. Buka penutup bateri.
 2. Tarik keluar kartrij bateri daripada pemangkas apabila meluncurkan butang di hadapan kartrij. Kemudian, tutup penutup bateri.
- **Rajah11:** 1. Penutup bateri 2. Kartrij bateri 3. Butang

OPERASI

Memangkas

⚠️AMARAN: Sentiasa pakai goggles keselamatan atau kaca mata keselamatan dengan pelindung sisi semasa mengendalikan pemangkas.

⚠️AMARAN: Sebelum memangkas, alihkan kayu dan batu dari kawasan memangkas. Kemudian alihkan sebarang rumpai dari kawasan pemangkas terlebih dahulu.

► **Rajah12**

⚠️PERHATIAN: Jika potongan rumput atau objek asing menghalang dalam badan pemangkas, pastikan anda mengeluarkan kartrij bateri dan memakai sarung tangan sebelum mengeluarkan rumput atau objek asing.

NOTIS: Gunakan mesin ini untuk memangkas rumput sahaja. Jangan memangkas rumput dengan mesin ini.

Pegang perlahan-lahan dengan kedua-dua tangan apabila memangkas.

► **Rajah13**

Garis panduan kelajuan memangkas kira-kira 2 hingga 4 saat setiap 1 meter.

► **Rajah14**

Label pada kedua-dua belah hadapan mesin adalah garis panduan untuk kelebaran memangkas. Menggunakan label sebagai garis panduan, pangkas dalam jalur. Melakukan penindihan separuh hingga satu pertiga jalur sebelumnya untuk memangkas rumput secara rata.

► **Rajah15:** 1. Lebar memangkas 2. Kawasan pertindihan 3. Label lebar memangkas

Menukar arah memotong setiap masa untuk mengelakkan corak tekstur rumput membentuk hanya dalam satu arah.

► **Rajah16:** 1. Kali pertama 2. Kali kedua 3. Kali ketiga

Periksa secara berkala bakul rumput untuk memangkas rumput. Kosongkan bakul sebelum ia menjadi penuh. Sebelum pemeriksaan berkala, pastikan untuk menghentikan mesin.

NOTA: Menggunakan pemangkas dengan bakul rumput yang penuh menghalang kelancaran putaran bilah pemangkas dan mengenakan beban lebihan pada motor yang boleh menyebabkan kerosakan.

Memangkas laman yang berumput panjang

Jangan cuba untuk memotong rumput panjang terus. Sebaliknya, memangkas rumput mengikut langkah-langkah. Tinggalkan satu atau dua hari antara pemangkasan sehingga rumput menjadi sama rata.

► **Rajah17**

NOTA: Memangkas rumput yang panjang kepada pendek menyebabkan rumput mati. Rumput yang di potong juga boleh menghalang alat pemangkas.

MEMBAWA DAN PENYIMPANAN

PERHATIAN: Berhati-hati supaya jari tidak terperangkap semasa melipat ke bawah pemegang.

PERHATIAN: Pastikan pemegang dikukuhkan dengan betul ke dalam penyumbat.

Membawa

PERHATIAN: Semasa membawa pemangkas, pastikan bilah pemangkas berada di bahagian luar dan jauh daripada badan anda.

Untuk membawa pemangkas, kukuhkan pemegang dan bawa seperti yang ditunjukkan dalam rajah.

► **Rajah18:** 1. Bilah pemangkas

Penyimpanan

Alih keluar bakul rumput kemudian pendekkan pemegang. (Rujuk kepada "PEMASANGAN".) Lipat ke bawah pemegang sehingga pemegang diletakkan pada tempatnya oleh penyumbat. Letakkan mesin dan cangkukkan bakul rumput seperti yang ditunjukkan dalam rajah.

► **Rajah19:** 1. Penahan

Menyimpan pin kunci dan kunci allen

Pin kunci dan kunci allen boleh disimpan dalam penutup bateri.

Apabila tidak digunakan, simpan pin kunci dan kunci allen supaya tidak hilang.

► **Rajah20:** 1. Pin kunci 2. Kunci allen

PENYELENGGARAN

AMARAN: Sebelum melakukan penyelenggaraan, keluarkan kartrij bateri daripada mesin dan sahkan bahawa bilah pemangkas telah berhenti sepenuhnya.

PERHATIAN: Semasa melakukan penyelenggaraan, sentiasa pakai sarung tangan.

Untuk mengekalkan KESELAMATAN dan KEBOLEHPERCAYAAN produk, pembaikan, apa-apa penyelenggaraan atau penyesuaian lain perlu dilakukan oleh Kilang atau Pusat Servis Makita yang Diiktiraf, sentiasa gunakan alat ganti Makita.

Penyelenggaraan selepas memangkas

Selepas memangkas, lap mesin dengan menggunakan kain kering atau kain yang dilembapkan dengan air sabun. Juga gunakan brus lembut untuk memberus keluar potongan rumput dan kotoran daripada bilah pemangkas.

PERHATIAN: Jangan sembur atau tuang air pada mesin semasa membersihkan. Jangan basuh dengan hos; elakkan air terkena pada motor dan sambungan elektrik.

NOTIS: Jangan gunakan petrol, benzin, pencair, alkohol atau bahan yang serupa. Ia boleh menyebabkan perubahan warna, bentuk atau keretakan.

Menggantikan bilah pemangkas

PERHATIAN: Jangan gunakan sepana selain daripada kunci allen biasa semasa menggantikan bilah pemangkas. Penggunaan sepana yang berbeza boleh menyebabkan pengetatan atau kelonggaran yang berlebihan yang boleh menyebabkan kecederaan.

1. Keluarkan kartrij bateri daripada pemangkas. Simpan ia di tempat yang selamat jauh daripada jangkauan kanak-kanak.
2. Lipat ke bawah pemegang dan pusingkan mesin.
► **Rajah21**
3. Masukkan pin kunci melalui lubang dalam plat bawah dan masukkan ke dalam lubang dalam badan utama.
► **Rajah22:** 1. Plat bawah 2. Pin kunci 3. Lubang
4. Gunakan kunci allen untuk melonggarkan bolt heksagon.
► **Rajah23:** 1. Bolt heksagon 2. Pin kunci 3. Kunci allen
5. Longgarkan kedua-dua bolt heksagon yang mengukuhkan plat bawah dan keluarkan plat bawah.
► **Rajah24:** 1. Plat bawah 2. Bolt heksagon

6. Keluarkan bolt heksagon, bebibir luar dan bilah pemangkas.

► **Rajah25:** 1. Bolt heksagon 2. Bebibir luar 3. Bilah pemangkas

7. Letakkan bilah pemangkas, bebibir luar dan bolt heksagon yang baharu dan kemudian ketatkan bolt heksagon sementara. Pastikan anak panah pada plat bawah dan anak panah pada bilah pemangkas menunjuk ke arah yang sama.

► **Rajah26:** 1. Bolt heksagon 2. Bebibir luar 3. Bilah pemangkas

8. Pasangkan plat bawah dalam turutan seperti yang ditunjukkan dalam rajah dan kemudian ketatkan kedua-dua bolt heksagon.

► **Rajah27:** 1. Takuk 2. Plat bawah 3. Bolt heksagon

⚠PERHATIAN: Pastikan untuk memasukkan plat bawah sepenuhnya ke dalam mesin supaya penonjolan pada mesin dimasukkan sepenuhnya ke dalam bahagian bawah plat bawah. Kegagalan berbuat demikian boleh menyebabkan kecederaan kerana plat bawah mungkin terkeluar disebabkan oleh ketidaksejajaran bolt heksagon.

9. Masukkan pin kunci ke dalam lubang pada plat bawah dan kemudian ketatkan bolt heksagon dengan kukuh menggunakan kunci allen untuk mengukuhkan bilah pemangkas.

► **Rajah28:** 1. Bolt heksagon 2. Pin kunci 3. Kunci allen

AKSESORI PILIHAN

⚠PERHATIAN: Aksesori-aksesori atau lampiran-lampiran ini adalah disyorkan untuk digunakan dengan alat Makita anda yang ditentukan dalam manual ini. Penggunaan mana-mana aksesori-aksesori atau lampiran-lampiran lain mungkin mengakibatkan risiko kecederaan kepada orang. Hanya gunakan aksesori atau lampiran untuk tujuan yang dinyatakannya.

Jika anda memerlukan sebarang bantuan untuk maklumat lebih lanjut mengenai aksesori ini, tanya Pusat Perkhidmatan Makita tempatan anda.

- Bilah pemangkas
- Bateri dan pengecas asli Makita

NOTA: Beberapa item dalam senarai mungkin disertakan dalam pakej alat sebagai aksesori standard. Item mungkin berbeza mengikut negara.

THÔNG SỐ KỸ THUẬT

Kiểu máy:		DLM230
Tốc độ không tải		7.000 min ⁻¹
Chiều cao cắt		10 mm - 55 mm
Chiều rộng cắt		230 mm
Kích thước (Dài x Rộng x Cao)	trong quá trình vận hành (có gió đưng cỏ)	Dài: 860 mm đến 1.105 mm Rộng: 256 mm Cao: 680 mm đến 920 mm
	khi cắt giữ (không có gió đưng cỏ) (với vị trí thẳng đứng)	264 mm x 363 mm x 780 mm
Điện áp định mức		D.C. 18 V
Khối lượng tịnh		8,6 - 8,9 kg
Cấp bảo vệ		IPX4

- Do chương trình nghiên cứu và phát triển liên tục của chúng tôi nên các thông số kỹ thuật trong đây có thể thay đổi mà không cần thông báo trước.
- Các thông số kỹ thuật có thể thay đổi tùy theo từng quốc gia.
- Khối lượng có thể khác nhau tùy thuộc vào (các) phụ kiện, bao gồm cả hộp pin. Tổ hợp nhẹ nhất và nặng nhất, theo Quy trình EPTA 01/2014, được trình bày trong bảng.

Hộp pin và sạc pin có thể áp dụng

Hộp pin	BL1820B / BL1830B / BL1840B / BL1850B / BL1860B
Bộ sạc	DC18RC / DC18RD / DC18RE / DC18SD / DC18SE / DC18SF / DC18SH







- Một số hộp pin và sạc pin được nêu trong danh sách ở trên có thể không khả dụng tùy thuộc vào khu vực cư trú của bạn.

⚠ CẢNH BÁO: Chỉ sử dụng hộp pin và sạc pin được nêu trong danh sách ở trên. Việc sử dụng bất cứ hộp pin và sạc pin nào khác có thể gây ra thương tích và/hoặc hỏa hoạn.

⚠ CẢNH BÁO: Không sử dụng nguồn điện có dây chằng hạn như bộ chuyển đổi pin hoặc bộ cấp nguồn di động đeo vai cho máy này. Cấp của nguồn cấp điện đó có thể cản trở vận hành và gây thương tích cá nhân.

Ký hiệu

Phần dưới đây cho biết các ký hiệu có thể được dùng cho thiết bị. Đảm bảo rằng bạn hiểu rõ ý nghĩa của các ký hiệu này trước khi sử dụng.

	Hãy cẩn thận và đặc biệt chú ý.
	Đọc tài liệu hướng dẫn.
	Nguy hiểm; chú ý các đối tượng bị ném.
	Khoảng cách giữa dụng cụ và người xung quanh ít nhất phải là 15 m.
	Tuyệt đối không để tay và chân của bạn gần lưỡi cắt có bên dưới máy cắt cỏ. Lưỡi cắt cỏ vẫn tiếp tục quay sau khi tắt động cơ.
	Cảnh báo; Ngắt kết nối pin trước khi bảo dưỡng.



Đảm bảo đã lắp gio đưng cỏ trước khi sử dụng.



Cảnh báo; Không đặt bàn tay, ngón tay hoặc chân gần lưỡi cắt cỏ.

Mục đích sử dụng

Máy này được dùng để cắt cỏ.

CẢNH BÁO AN TOÀN

CÁC HƯỚNG DẪN AN TOÀN QUAN TRỌNG

⚠ CẢNH BÁO: Đọc tất cả các cảnh báo an toàn và tất cả hướng dẫn. Việc không tuân theo các cảnh báo và hướng dẫn có thể dẫn đến điện giật, hỏa hoạn và/hoặc thương tích nghiêm trọng.

Lưu giữ tất cả cảnh báo và hướng dẫn để tham khảo sau này.

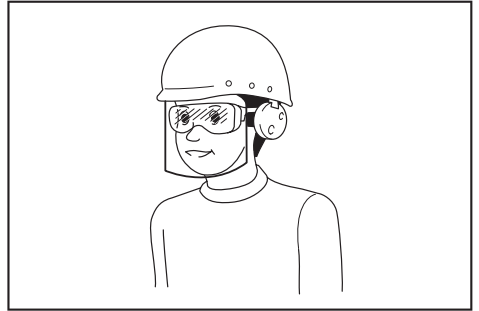
Hướng dẫn

1. Đọc hướng dẫn cẩn thận. Làm quen với việc điều khiển và cách sử dụng máy cắt cỏ đúng cách.
2. Không bao giờ cho phép trẻ em hoặc những người không có hiểu biết về các hướng dẫn này sử dụng xe cắt cỏ. Các quy định của địa phương có thể hạn chế độ tuổi của người vận hành.
3. Không bao giờ vận hành xe cắt cỏ này khi có người, đặc biệt là trẻ em hoặc thú cưng ở gần.
4. Hãy nhớ rằng người vận hành hoặc người sử dụng phải chịu trách nhiệm về tai nạn hoặc nguy hiểm xảy ra cho người khác hoặc tài sản của họ.
5. Trẻ em cần được giám sát để đảm bảo rằng chúng sẽ không nghịch xe cắt cỏ.
6. Không vận hành máy trong môi trường dễ cháy nổ, chẳng hạn như môi trường có sự hiện diện của các chất lỏng, khí hoặc bụi dễ cháy. Máy sẽ tạo tia lửa điện có thể làm bụi hoặc khí bốc cháy.
7. Điều kiện thể chất - Không vận hành xe cắt cỏ khi đang chịu ảnh hưởng của ma túy, rượu hoặc bất kỳ loại thuốc nào.

Chuẩn bị

1. Trong khi vận hành xe cắt cỏ, luôn mang giày đủ tiêu chuẩn và quần dài. Không vận hành xe cắt cỏ khi chân trần hoặc mang dép không cài quai. Tránh mặc quần áo rộng hoặc đeo trang sức lỏng lẻo hoặc những vật có dây treo hoặc nút buộc. Chúng có thể bị mắc kẹt vào các bộ phận di chuyển.
2. Trước khi sử dụng, luôn kiểm tra bằng mắt xem máy cắt cỏ có bị hư hỏng, thiếu hay đặt sai phần bảo vệ hoặc tấm bảo vệ hay không.
3. Đảm bảo khu vực cắt không có người khác trước khi cắt. Ngừng xe cắt cỏ nếu có bất kỳ ai đi vào khu vực cắt cỏ.
4. Không lắp hộp pin vào máy cắt cỏ cho đến khi máy sẵn sàng để sử dụng.
5. Sử dụng thiết bị bảo hộ cá nhân. Luôn đeo thiết bị bảo vệ mắt. Các thiết bị bảo hộ như mặt nạ chống bụi, giày an toàn chống trượt, mũ bảo hộ hay thiết bị bảo vệ thính giác được sử dụng trong các điều kiện thích hợp sẽ giúp giảm thương tích cá nhân.

6. Luôn luôn mang kính bảo hộ để bảo vệ mắt khỏi bị thương khi đang sử dụng các dụng cụ máy. Kính bảo hộ phải tuân thủ ANSI Z87.1 ở Mỹ, EN 166 ở Châu Âu, hoặc AS/NZS 1336 ở Úc/New Zealand. Tại Úc/New Zealand, theo luật pháp, bạn cũng phải mang mặt nạ che mặt để bảo vệ mặt.



- Trách nhiệm của chủ lao động là bắt buộc người vận hành dụng cụ và những người khác trong khu vực làm việc cạnh đó phải sử dụng các thiết bị bảo hộ an toàn thích hợp.
7. Kiểm tra lưới cắt cỏ hoặc bu-lông lưới cắt cỏ cẩn thận xem có bị nứt hoặc hư hỏng gì không trước khi vận hành. Thay thế lưới cắt cỏ bị nứt hoặc hư hỏng hoặc bu-lông lưới cắt cỏ ngay lập tức.
 8. Loại bỏ các ngoại vật như đá, dây điện, chai lọ, xương và các cành cây lớn khỏi khu vực làm việc trước khi cắt để tránh thương tích cá nhân hoặc làm hỏng xe cắt cỏ.
 9. Các vật do lưới cắt cỏ cắt văng ra có thể gây thương tích nghiêm trọng cho con người. Bãi cỏ luôn cần được kiểm tra cẩn thận và dọn sạch tất cả các đồ vật trước mỗi lần cắt cỏ.
 10. Cẩn thận với các lỗ, vết lõm, chỗ lồi lên, đá hoặc các vật bị khuất khác. Địa hình không bằng phẳng có thể gây ra tai nạn trượt ngã. Cỏ cao có thể che khuất các vật cản.
 11. Giữ tay cầm và bề mặt tay cầm khô, sạch, không dính dầu và mỡ. Tay cầm trơn trượt và bề mặt tay cầm không cho phép xử lý an toàn và kiểm soát dụng cụ trong các tình huống bất ngờ.
- #### Vận hành
1. Không vọt quá cao. Luôn giữ thẳng bằng tại mọi thời điểm. Luôn đảm bảo chỗ để chân trên mặt nghiêng. Chỉ đi bộ, không được chạy.
 2. Dừng máy cắt cỏ, tháo hộp pin và đảm bảo tất cả bộ phận chuyển động phải chuyển sang trạng thái dừng hoàn toàn:
 - bắt cứ khi nào bạn rời khỏi xe cắt cỏ,
 - trước khi làm thông chỗ tắc nghẽn hoặc tháo máng chắn,
 - trước khi kiểm tra, làm sạch hoặc làm việc trên xe cắt cỏ,
 - sau khi gỡ bỏ ngoại vật. Kiểm tra hư hỏng của máy cắt cỏ và sửa chữa trước khi khởi động lại và vận hành máy cắt cỏ,
 - bắt cứ khi nào máy cắt cỏ bắt đầu rung chấn bất thường.

3. Không bao giờ vận hành xe cắt cỏ với phần bảo vệ hoặc tấm bảo vệ hông, hoặc không có thiết bị an toàn, ví dụ như tấm chắn và/hoặc giỏ đựng cỏ ở đúng vị trí.
 4. Tránh sử dụng máy cắt cỏ trong điều kiện thời tiết xấu, đặc biệt là khi có nguy cơ sấm sét.
 5. Đeo dụng cụ bảo vệ mắt và mang giày bền chắc tại mọi thời điểm trong khi vận hành máy cắt cỏ.
 6. Chỉ vận hành xe cắt cỏ vào ban ngày hoặc trong điều kiện ánh sáng nhân tạo tốt.
 7. Bật máy cắt cỏ cẩn thận theo hướng dẫn và đặt chân luôn cách xa khỏi (các) lưỡi cắt cỏ.
 8. Hãy cẩn thận để không làm tổn thương chân và tay do lưỡi cắt cỏ.
 9. Luôn đảm bảo rằng các lỗ mở thông gió không có mảnh vụn.
 10. Cắt ngang mặt nghiêng, không bao giờ đưa lên xuống. Đặc biệt thận trọng khi thay đổi hướng trên mặt nghiêng. Không cắt quá lâu trên mặt nghiêng đứng.
 11. Đặc biệt cẩn trọng khi lùi hoặc kéo xe cắt cỏ về phía bạn.
 12. Dừng (các) lưỡi cắt cỏ nếu cần phải đặt nghiêng máy cắt cỏ để vận chuyển khi đi qua các bề mặt không phải cỏ, và khi vận chuyển máy cắt cỏ đến và đi từ khu vực được sử dụng.
 13. Không nghiêng máy cắt cỏ khi bật động cơ, trừ khi máy cắt cỏ cần phải đặt nghiêng để khởi động. Trong trường hợp này, không nghiêng nếu không hoàn toàn cần thiết và chỉ nâng bộ phận cách xa người vận hành. Luôn đảm bảo rằng cả hai tay đang ở vị trí vận hành trước khi đưa máy cắt cỏ xuống đất.
 14. Không để tay hoặc chân ở gần hoặc ở dưới các bộ phận đang quay. Giữ sạch cửa xả tại mọi thời điểm.
 15. Không vận chuyển xe cắt cỏ trong khi bật xe cắt cỏ.
 16. Tránh môi trường nguy hiểm. Không sử dụng máy tại những nơi bừa bộn hoặc ẩm ướt hay dễ chứng tiếp xúc với mưa. Nước lọt vào máy sẽ làm tăng nguy cơ điện giật.
 17. Tránh vận hành xe cắt cỏ trên cỏ ướt.
 18. Không bao giờ vận hành xe cắt cỏ trong trời mưa.
 19. Luôn cầm chặt tay nắm.
 20. Không cầm phần lưỡi cắt cỏ lộ ra hoặc cạnh cắt khi nhắc lên hoặc giữ máy cắt cỏ.
 21. Giữ tay và chân tránh xa lưỡi cắt cỏ đang quay. Cẩn trọng - Lưỡi cắt cỏ chạy theo đà quán tính sau khi tắt máy cắt cỏ.
 22. Ngừng vận hành ngay lập tức nếu bạn nhận thấy bất cứ điều gì khác thường. Tắt máy cắt cỏ và tháo hộp pin ra. Sau đó kiểm tra máy cắt cỏ.
 23. Nếu máy cắt cỏ có tính năng điều chỉnh chiều cao cắt, không được cố điều chỉnh chiều cao cắt trong khi máy cắt cỏ đang chạy.
 24. Nhà cần công tắc và đợi vòng quay lưỡi cắt cỏ dừng lại trước khi băng qua lối đi, đường đi, con đường, và bất kỳ khu vực rải sỏi nào. Cũng phải tháo hộp pin ra nếu bạn rời khỏi máy cắt cỏ, tiếp cận để nhắc hoặc lấy thứ gì đó ra khỏi đường đi của bạn, hoặc vì lý do nào khác có thể làm bạn xao lãng khỏi những gì bạn đang làm.
 25. Nếu xe cắt cỏ va phải ngoại vật, làm theo các bước sau:
 - Ngừng máy cắt cỏ, nhà cần công tắc và chờ đến khi lưỡi cắt cỏ dừng hoàn toàn.
 - Tháo hộp pin.
 - Kiểm tra cẩn thận mọi hư hỏng của xe cắt cỏ.
 - Thay thế lưỡi cắt cỏ nếu lưỡi cắt cỏ bị hỏng dưới bất kỳ hình thức nào. Sửa chữa mọi hư hỏng trước khi khởi động lại và tiếp tục vận hành máy cắt cỏ.
 26. Không khởi động xe cắt cỏ khi đứng trước cửa xả.
 27. Nếu xe cắt cỏ bắt đầu rung bất thường (kiểm tra ngay lập tức)
 - kiểm tra hư hỏng,
 - thay thế hoặc sửa chữa các bộ phận bị hỏng,
 - kiểm tra và vận chặt các bộ phận bị lỏng.
 28. Tuyệt đối không hướng vật liệu xả về phía bất kỳ ai. Tránh xả vật liệu vào tường hoặc vật cản. Vật liệu có thể nảy bật lại về phía người vận hành. Dừng lưỡi cắt cỏ khi đi qua bề mặt có sỏi.
 29. Không kéo máy cắt cỏ về phía sau trừ khi thật cần thiết. Khi bạn buộc phải khống chế máy cắt cỏ từ hàng rào hoặc vật cản tương tự khác, hãy nhìn xuống dưới và phía sau trước và trong khi di chuyển về phía sau.
 30. Tắt động cơ và chờ cho đến khi lưỡi cắt cỏ dừng hẳn trước khi tháo giỏ đựng cỏ. Để phòng lưỡi cắt cỏ chạy theo đà quán tính sau khi tắt.
- Bảo dưỡng và cất giữ**
1. Thay thế các bộ phận bị mòn hoặc bị hỏng để an toàn. Chỉ sử dụng phụ tùng và các bộ phận thay thế chính hãng.
 2. Kiểm tra và bảo dưỡng máy cắt cỏ thường xuyên.
 3. Khi không sử dụng, cất giữ máy cắt cỏ ngoài tầm với trẻ em.
 4. Giữ cho tất cả các đai ốc, bu-lông, ốc vít đều vận chặt để đảm bảo thiết bị ở trong điều kiện làm việc an toàn.
 5. Thường xuyên kiểm tra gio đựng cỏ xem có bị mòn hay xuống cấp không. Đối với việc cất giữ, luôn đảm bảo gio đựng cỏ rỗng. Thay thế gio đựng cỏ đã mòn bằng thiết bị thay thế nhà máy mới để an toàn.
 6. Chỉ sử dụng các lưỡi cắt cỏ chính hãng của nhà sản xuất được quy định trong sách hướng dẫn này.
 7. Cẩn thận trong khi điều chỉnh máy cắt cỏ để tránh bị kẹt các ngón tay ở giữa lưỡi cắt cỏ đang di chuyển và các bộ phận cố định của máy cắt cỏ.
 8. Không rửa bằng vòi; tránh để nước đi vào động cơ và các kết nối điện.

9. Khi lắp lưới cắt cỏ, hãy đảm bảo rằng lưới cắt cỏ được lắp chắc chắn. Đọc và làm theo tài liệu hướng dẫn một cách cẩn thận. Cố định không phù hợp hoặc không khớp hoàn toàn có thể gây ra chấn thương.
10. Thường xuyên kiểm tra bu-lông gắn lưới cắt cỏ xem có vận chặt đúng cách không.
11. Luôn để cho xe cắt cỏ nguội trước khi cắt giữ.
12. Khi bảo trì lưới cắt cỏ cần nhận thức rằng, mặc dù nguồn điện đã tắt, lưới cắt cỏ vẫn có thể di chuyển được.
13. Tuyệt đối không tháo hoặc làm thay đổi các thiết bị an toàn. Kiểm tra việc vận hành đúng cách của các thiết bị này thường xuyên. Tuyệt đối không làm bất cứ việc gì để can thiệp vào chức năng như được thiết kế của thiết bị an toàn hoặc để giảm sự bảo vệ do thiết bị an toàn đem đến.

Sử dụng và bảo quản dụng cụ dùng pin

1. Chỉ sạc pin lại với bộ sạc do nhà sản xuất quy định. Bộ sạc phù hợp với một loại bộ pin này có thể gây ra nguy cơ hỏa hoạn khi được dùng cho một bộ pin khác.
2. Chỉ sử dụng các dụng cụ máy với các bộ pin được quy định cụ thể. Việc sử dụng bất cứ bộ pin nào khác có thể gây ra thương tích và hỏa hoạn.
3. Khi không sử dụng bộ pin, hãy giữ tránh xa các đồ vật khác bằng kim loại, chẳng hạn như kẹp giấy, tiền xu, chìa khóa, đinh, ốc vít hoặc các vật nhỏ bằng kim loại mà có thể làm nối tất các đầu cực pin. Các đầu cực pin bị đoản mạch có thể gây cháy hoặc hỏa hoạn.
4. Trong điều kiện sử dụng quá mức, pin có thể bị chày nước; hãy tránh tiếp xúc. Nếu vô tình tiếp xúc với pin bị chày nước, hãy rửa sạch bằng nước. Nếu dung dịch từ pin tiếp xúc với mắt, cần đi khám bác sĩ thêm. Dung dịch chày ra từ pin có thể gây rát da hoặc bỏng.
5. Không sử dụng bộ pin hoặc dụng cụ bị hư hỏng hoặc đã bị sửa đổi. Pin đã bị hư hỏng hoặc đã bị sửa đổi có thể hành động theo cách không thể đoán trước dẫn đến cháy, nổ hoặc nguy cơ chấn thương.
6. Không để bộ pin hoặc dụng cụ tiếp xúc với lửa hoặc nhiệt độ quá cao. Tiếp xúc với lửa hoặc nhiệt độ trên 130 °C có thể gây ra cháy nổ.
7. Làm theo tất cả các hướng dẫn sạc pin và không được sạc bộ pin hoặc dụng cụ vượt giới hạn nhiệt độ quy định trong hướng dẫn. Sạc pin không đúng hoặc ở nhiệt độ vượt giới hạn nhiệt độ có thể gây hư hỏng cho pin và làm tăng nguy cơ cháy.

An toàn về điện và pin

1. Không thái bỏ (các) viên pin vào lửa. Viên pin có thể phát nổ. Kiểm tra bằng mã địa phương để biết hướng dẫn thái bỏ đặc biệt nếu có.
2. Không mờ hay cắt xén (các) viên pin. Chất điện phân thái ra có tính ăn mòn và có thể gây tổn thương cho mắt hoặc da. Có thể độc hại nếu nuốt phải.
3. Không sạc pin trong mưa, hoặc nơi ẩm ướt.
4. Không sạc pin ở ngoài trời.

5. Không tháo tác bộ sạc, bao gồm phích cắm của bộ sạc, và điện cực của bộ sạc bằng tay ướt.

Bảo dưỡng

1. Để nhân viên sửa chữa đủ trình độ bảo dưỡng dụng cụ máy của bạn và chỉ sử dụng các bộ phận thay thế đồng nhất. Việc này sẽ đảm bảo dụng cụ được độ an toàn của dụng cụ máy.
2. Không bao giờ sử dụng bộ pin đã hỏng. Dịch vụ bảo hành bộ pin chỉ nên thực hiện bởi nhà sản xuất hoặc các nhà cung cấp dịch vụ được ủy quyền.

LƯU GIỮ CÁC HƯỚNG DẪN NÀY.

⚠ CẢNH BÁO: KHÔNG vì đã thoải mái hay quen thuộc với sản phẩm (có được do sử dụng nhiều lần) mà không tuân thủ nghiêm ngặt các quy định về an toàn dành cho sản phẩm này.

VIỆC DÙNG SAI hoặc không tuân theo các quy định về an toàn được nêu trong tài liệu hướng dẫn này có thể dẫn đến thương tích cá nhân nghiêm trọng.

Hướng dẫn quan trọng về an toàn dành cho hộp pin

1. Trước khi sử dụng hộp pin, hãy đọc kỹ tất cả các hướng dẫn và dấu hiệu cảnh báo trên (1) bộ sạc pin, (2) pin và (3) sản phẩm sử dụng pin.
2. Không tháo rời hoặc làm thay đổi hộp pin. Việc này có thể dẫn đến hỏa hoạn, quá nhiệt hoặc nổ.
3. Nếu thời gian vận hành ngắn hơn quá mức, hãy ngừng vận hành ngay lập tức. Điều này có thể dẫn đến rỉ rỉ quá nhiệt, có thể gây bỏng và thậm chí là nổ.
4. Nếu chất điện phân rơi vào mắt, hãy rửa sạch bằng nước sạch và đến cơ sở y tế ngay lập tức. Chất này có thể khiến bạn giảm thị lực.
5. Không để hộp pin ở tình trạng đoản mạch:
 - (1) Không chạm vào cực pin bằng vật liệu dẫn điện.
 - (2) Tránh cất giữ hộp pin trong hộp có các vật kim loại khác như đinh, tiền xu, v.v...
 - (3) Không được để hộp pin tiếp xúc với nước hoặc mưa.
 Đoản mạch pin có thể gây ra dòng điện lớn, quá nhiệt, có thể gây bỏng và thậm chí là hỏng hóc.
6. Không cất giữ cũng như sử dụng dụng cụ và hộp pin ở nơi nhiệt độ có thể lên tới hoặc vượt quá 50 °C (122 °F).
7. Không đốt hộp pin ngay cả khi hộp pin đã bị hư hại nặng hoặc hư hỏng hoàn toàn. Hộp pin có thể nổ khi tiếp xúc với lửa.
8. Không đóng đinh, cắt, nghiền nát, ném, làm rơi hộp pin hoặc va vật cứng vào hộp pin. Làm như thế có thể dẫn đến hỏa hoạn, quá nhiệt hoặc nổ.
9. Không sử dụng pin đã hỏng.

- Pin nén lithium-ion là đối tượng có yêu cầu bắt buộc theo Luật Hàng hoá Nguy hiểm.**
Đối với vận tải thương mại, ví dụ như vận tải do bên thứ ba, đại lý giao nhận, thì yêu cầu đặc biệt về đóng gói và nhãn ghi phải được giám sát.
Để chuẩn bị cho mặt hàng cần vận chuyển, cần phải tham khảo ý kiến chuyên gia về vật liệu nguy hiểm. Nếu được, vui lòng tuân thủ các quy định quốc gia chi tiết hơn.
Buộc hoặc niêm phong các tiếp điểm mở và đóng gói pin theo cách đó để nó không thể di chuyển trong bao bì.
- Khi rút bỏ hộp pin, hãy tháo chúng khỏi dụng cụ và thải bỏ ở nơi an toàn. Phải tuân thủ theo các quy định của địa phương liên quan đến việc thải bỏ pin.**
- Chỉ sử dụng pin cho các sản phẩm Makita chỉ định.** Lắp pin vào sản phẩm không thích hợp có thể gây ra hỏa hoạn, quá nhiệt, nổ, hoặc rò chất điện phân.
- Nếu dụng cụ không được sử dụng trong một thời gian dài, cần phải tháo pin ra khỏi dụng cụ.**
- Trong và sau khi sử dụng, hộp pin có thể bị nóng, có thể gây bỏng hoặc bỏng ở nhiệt độ thấp. Chú ý xử lý hộp pin nóng.**
- Không chạm vào điện cực của dụng cụ ngay sau khi sử dụng vì điện cực đủ nóng để gây bỏng.**
- Không để vụn bào, bụi hoặc đất bám vào các điện cực, lỗ và rãnh của hộp pin.** Điều này có thể làm nóng, bắt lửa, nổ và gây trục trặc cho dụng cụ hoặc hộp pin, dẫn đến bỏng hoặc thương tích cá nhân.
- Trừ khi dụng cụ hỗ trợ sử dụng gần đường dây điện cao thế, không sử dụng hộp pin gần đường dây điện cao thế.** Việc này có thể dẫn đến trục trặc hoặc hỏng hóc dụng cụ hay hộp pin.
- Giữ pin tránh xa trẻ em.**

LƯU GIỮ CÁC HƯỚNG DẪN NÀY.

⚠ THẬN TRỌNG: Chỉ sử dụng pin Makita chính hãng. Việc sử dụng pin không chính hãng Makita, hoặc pin đã được sửa đổi, có thể dẫn đến nổ pin gây ra cháy, thương tích và thiệt hại cá nhân. Nó cũng sẽ làm mất hiệu lực bảo hành của Makita dành cho dụng cụ của Makita và bộ sạc.

Mẹo duy trì tuổi thọ tối đa cho pin

- Sạc hộp pin trước khi pin bị xả điện hoàn toàn.** Luôn dừng việc vận hành dụng cụ và sạc pin khi bạn nhận thấy công suất dụng cụ bị giảm.
- Không được phép sạc lại một hộp pin đã được sạc đầy.** Sạc quá mức sẽ làm giảm tuổi thọ của pin.
- Sạc pin ở nhiệt độ phòng 10°C - 40°C.** Để cho hộp pin nóng nguội lại dần trước khi sạc pin.
- Khi không sử dụng hộp pin, hãy tháo hộp pin ra khỏi dụng cụ hoặc bộ sạc.**

- Sạc pin sáu tháng một lần nếu bạn không sử dụng dụng cụ trong một thời gian dài (hơn sáu tháng).**

MÔ TẢ CHỨC NĂNG

⚠ THẬN TRỌNG: Luôn đảm bảo rằng đã tắt công tắc máy và tháo hộp pin ra trước khi thực hiện việc điều chỉnh hoặc kiểm tra chức năng trên máy.

Chỉ báo dung lượng pin còn lại

Chỉ dành cho hộp pin có đèn chỉ báo

► **Hình1:** 1. Các đèn chỉ báo 2. Nút Check (kiểm tra)

Ấn nút check (kiểm tra) trên hộp pin để chỉ báo dung lượng pin còn lại. Các đèn chỉ báo bật sáng lên trong vài giây.

Các đèn chỉ báo			Dung lượng còn lại
Bật sáng	Tắt	Nhấp nháy	
■ ■ ■ ■			75% đến 100%
■ ■ ■ □			50% đến 75%
■ □ □ □			25% đến 50%
■ □ □ □			0% đến 25%
■ □ □ □		⚡	Sạc pin.
■ ■ □ □		↑ ↓	Pin có thể đã bị hỏng.
□ □ ■ ■			

LƯU Ý: Tùy thuộc vào các điều kiện sử dụng và nhiệt độ xung quanh, việc chỉ báo có thể khác biệt một chút so với dung lượng thực sự.

LƯU Ý: Đèn chỉ báo (phía xa bên trái) đầu tiên sẽ nhấp nháy khi hệ thống bảo vệ pin hoạt động.

Điều chỉnh chiều cao cắt

⚠ CẢNH BÁO: Không bao giờ đặt tay hoặc chân của bạn dưới thân máy cắt khi đang điều chỉnh chiều cao cắt.

⚠ THẬN TRỌNG: Luôn đảm bảo rằng đã tắt máy và tháo hộp pin ra trước khi điều chỉnh chiều cao cắt.

Bạn có thể điều chỉnh chiều cao cắt - trong phạm vi từ 10 mm đến 55 mm.

► **Hình2:** 1. Nút khóa 2. Cần điều chỉnh

Đặt một tay lên bộ phận chính của máy, và sau đó dùng tay kia di chuyển cần điều chỉnh về phía trước hoặc về phía sau đến chiều cao mong muốn trong khi nhấn nút khóa trên cần điều chỉnh. Nhả nút khóa ở độ cao mong muốn.

► **Hình3**

CHÚ Ý: Đảm bảo rằng nút khóa đã được khóa đúng cách sau khi điều chỉnh.

LƯU Ý: Chỉ số chiều cao cần nên được sử dụng theo như hướng dẫn. Tùy thuộc vào điều kiện của bãi cỏ hoặc mặt đất, chiều cao cỏ thực tế có thể khác một chút so với chiều cao đã cài đặt.

LƯU Ý: Thử kiểm tra việc cắt cỏ ở nơi ít bị chú ý để có được chiều cao mong muốn.

Hoạt động công tắc

⚠ CẢNH BÁO: Trước khi lắp hộp pin, luôn luôn kiểm tra xem cần công tắc có hoạt động bình thường hay không và trả về vị trí ban đầu khi nhả ra. Vận hành máy bằng công tắc không khởi động đúng có thể dẫn đến mất điều khiển và thương tích cá nhân nghiêm trọng.

⚠ CẢNH BÁO: Để bạn được an toàn, máy này được trang bị nút nhà khóa nhằm ngăn ngừa vô ý khởi động máy. Không sử dụng máy này nếu nó khởi động khi bạn chỉ kéo cần công tắc mà không nhấn nút nhà khóa. Nhờ Trung tâm Dịch vụ Makita ở địa phương bạn để sửa chữa.

⚠ CẢNH BÁO: Không bao giờ tắt chức năng khóa hoặc giữ nhấn chặt nút nhà khóa.

CHÚ Ý: Không được kéo cưỡng chế cần công tắc mà không nhấn nút nhà khóa. Công tắc có thể bị vỡ.

Để khởi động máy, trước tiên hãy nhấn nút nhà khóa và bóp cần công tắc trái hoặc phải vào. Để dừng máy, hãy nhả cần công tắc. Khi nhả cần công tắc, nút nhà khóa sẽ tự động trả về vị trí khóa.

► **Hình4:** 1. Nút nhà khóa 2. Cần công tắc

Hệ thống bảo vệ xe / pin

Máy này được trang bị hệ thống bảo vệ máy/pin. Hệ thống này sẽ tự động ngắt nguồn điện đến động cơ để kéo dài tuổi thọ máy và pin. Máy sẽ tự động dừng lại trong quá trình vận hành nếu máy hoặc pin ở một trong những trường hợp sau đây.

Bảo vệ quá tải

Khi vận hành máy/pin trong điều kiện làm máy tiêu tốn dòng cao bất thường, máy sẽ tự động dừng lại và đèn chỉ báo sáng lên màu đỏ. Trong trường hợp này, hãy tắt máy và ngừng việc sử dụng đã làm cho máy trở nên quá tải. Sau đó bật máy lên để khởi động lại.

Bảo vệ quá nhiệt

Khi máy bị quá nhiệt, máy sẽ tự động dừng lại và đèn chỉ báo sáng lên màu đỏ. Hãy để máy nguội bớt trước khi bật lại.

Bảo vệ xả điện quá mức

Khi dung lượng pin còn lại thấp, đèn chỉ báo sẽ nhấp nháy màu đỏ. Khi sử dụng thêm nữa, máy sẽ dừng lại và đèn chỉ báo sáng lên màu đỏ. Trong tình huống này, hãy sạc lại hộp pin.

► **Hình5:** 1. Đèn chỉ báo

Bảo vệ chống lại các nguyên nhân khác

Hệ thống bảo vệ cũng được thiết kế để chống lại các nguyên nhân khác có thể làm hư hỏng máy và cho phép máy tự động dừng lại. Thực hiện tất cả các bước sau đây để lại bộ nguyên nhân, khi máy đã được tạm dừng hoặc ngừng hoạt động.

1. Tắt máy, sau đó bật lại lần nữa để khởi động lại.
2. Sạc (các) pin hoặc thay pin/các pin bằng (các) pin đã sạc.
3. Để máy và (các) pin nguội dần.

Nếu không thấy cải thiện bằng cách khôi phục hệ thống bảo vệ, hãy liên hệ với Trung tâm Dịch vụ Makita tại địa phương của bạn.

LƯU Ý: Thời gian mà tại đó các đèn chỉ báo sáng lên sẽ phụ thuộc vào nhiệt độ nơi làm việc và tình trạng hộp pin.

Chức năng điện tử

- Phan điện tử
Máy này được trang bị phan điện tử. Nếu dụng cụ không thể dừng nhanh sau khi đã nhả cần công tắc, hãy mang dụng cụ đến trung tâm dịch vụ của Makita.
- Khởi động mềm
Khi công tắc được bật, động cơ bắt đầu xoay mượt mà với độ dội ngược nhỏ lại.

LẮP RÁP

⚠ THẬN TRỌNG: Luôn đảm bảo rằng đã tháo hộp pin ra trước khi thực hiện bất cứ công việc nào trên máy. Không tháo hộp pin có thể dẫn đến các thương tích cá nhân nghiêm trọng do vô tình khởi động máy.

Nâng tay cầm lên

Trượt hai cần khóa vào trong và nâng tay cầm bằng tay kia cho đến khi tay cầm dừng lại.

► **Hình6:** 1. Cần khóa 2. Tay cầm

► **Hình7**

Mở rộng tay cầm

Mở các cần khóa ở cả hai bên tay cầm, và sau đó kéo để mở rộng tay cầm. Đóng cần khóa ở độ cao mong muốn.

► **Hình8:** 1. Cần khóa

Lắp giỏ đựng cỏ

Treo giỏ đựng cỏ vào mặt sau của máy.

► **Hình9:** 1. Giỏ đựng cỏ 2. Khung

CHÚ Ý: Đảm bảo gắn giỏ đựng cỏ vào đúng vị trí bằng cách đặt khung của giỏ đựng cỏ vào các rãnh của máy.

► **Hình10**

Lắp hoặc tháo hộp pin

⚠ THẬN TRỌNG: Luôn tắt máy trước khi lắp hoặc tháo hộp pin.

⚠ THẬN TRỌNG: Không dùng tay ướt lắp hoặc tháo pin. Nếu không có thể bị điện giật.

⚠ THẬN TRỌNG: Giữ máy và hộp pin thật chắc khi lắp hoặc tháo hộp pin. Không giữ máy và hộp pin thật chắc có thể làm trượt chúng khỏi tay và làm hư hỏng máy và hộp pin hoặc gây thương tích cá nhân.

⚠ THẬN TRỌNG: Đảm bảo rằng bạn đã khóa nắp đẩy pin trước khi sử dụng. Nếu không, bùn, bụi, hoặc nước có thể làm hỏng sản phẩm hoặc hộp pin.

⚠ THẬN TRỌNG: Luôn lắp đặt hộp pin hết mức. Nếu không, hộp pin có thể vó ý rơi ra khỏi máy, gây thương tích cho bạn hoặc người khác ở xung quanh.

⚠ THẬN TRỌNG: Không được dùng sức lắp hộp pin. Nếu hộp pin không nhẹ nhàng trượt vào vị trí, có nghĩa là pin vẫn chưa được lắp đúng.

⚠ THẬN TRỌNG: Cẩn thận tránh kẹp ngón tay của bạn khi mở hoặc đóng nắp pin.

Đề lắp hộp pin;

1. Mở nắp đẩy pin.
2. Đặt thẳng hàng phần chốt nhỏ ra của hộp pin vào phần rãnh nằm trên máy cắt cỏ, rồi trượt hộp pin cho đến khi chốt khóa vào đúng vị trí với một tiếng cách nhẹ.
3. Đóng nắp đẩy pin và đẩy cho đến khi gài được móc.

Đề tháo hộp pin ra khỏi xe cắt cỏ;

1. Mở nắp đẩy pin.
2. Vừa rút hộp pin ra khỏi máy cắt cỏ vừa đẩy trượt nút ở phía trước hộp pin. Sau đó đóng nắp đẩy pin.

► **Hình11:** 1. Nắp đẩy pin 2. Hộp pin 3. Nút

VẬN HÀNH

Cắt

⚠ CẢNH BÁO: Luôn mang kính bảo hộ hoặc kính an toàn có tấm chắn khi vận hành xe cắt cỏ.

⚠ CẢNH BÁO: Trước khi cắt, lấy hết gậy và đá ra khỏi khu vực cắt. Ngoài ra, phải làm sạch trước cỏ dại ra khỏi khu vực.

► **Hình12**

⚠ THẬN TRỌNG: Nếu cỏ đã cắt hoặc dị vật chặn bên trong thân máy cắt, hãy đảm bảo đã tháo hộp pin và đeo găng tay trước khi loại bỏ cỏ hoặc dị vật.

CHÚ Ý: Chỉ sử dụng máy này cho mục đích cắt cỏ. Không cắt cỏ dại bằng máy này.

Cầm chặt tay nắm bằng cả hai tay khi cắt.

► **Hình13**

Hướng dẫn tốc độ cắt xấp xỉ 2 đến 4 giây mỗi 1 mét.

► **Hình14**

Các nhãn trên cả hai bên phía trước của máy là chỉ dẫn về chiều rộng cắt. Sử dụng nhãn làm chỉ dẫn, cắt cỏ theo dải băng. Cắt chồng khoảng một nửa đến một phần ba lên hàng cắt trước đó để cắt cỏ đồng đều.

► **Hình15:** 1. Chiều rộng cắt 2. Khoảng cắt chồng 3. Nhãn chiều rộng cắt

Thay đổi hướng cắt mỗi lần để tránh hình thành vạt cỏ xuôi theo một hướng.

► **Hình16:** 1. Lần đầu tiên 2. Lần thứ hai 3. Lần thứ ba

Kiểm tra định kỳ cỏ đã cắt trong giỏ đựng cỏ. Để cỏ đi trước khi giỏ đựng cỏ đầy. Trước mỗi lần kiểm tra định kỳ, hãy đảm bảo dừng máy.

LƯU Ý: Sử dụng máy cắt cỏ với giỏ đựng cỏ đầy sẽ ngăn không cho vòng quay lưỡi cắt có tròn tru và đặt thêm tải trọng lên động cơ, có thể gây ra hỏng hóc.

Cắt bãi cỏ dài

Không cố cắt tất cả cỏ dài trong một lần cắt. Thay vào đó, cắt bãi cỏ dài theo nhiều bước. Dành ra một hoặc hai ngày giữa mỗi lần cắt cho đến khi bãi cỏ trở nên ngắn đều.

► **Hình17**

LƯU Ý: Cắt tất cả cỏ dài đến một chiều dài ngắn trong một lần cắt có thể làm cho cỏ chết. Cỏ đã cắt cũng có thể chất thành khối bên trong thân máy cắt.

MANG ĐI VÀ CẮT GIỮ

⚠ THẬN TRỌNG: Cần thận không để vương ngón tay khi gấp tay cầm xuống.

⚠ THẬN TRỌNG: Đảm bảo rằng tay cầm được cố định đúng cách vào các cỡ chặn.

Mang đi

⚠ THẬN TRỌNG: Khi mang máy cắt cỏ, hãy đảm bảo rằng lưỡi cắt cỏ nằm ở bên ngoài và cách xa cơ thể bạn.

Để mang máy cắt cỏ đi, hãy cố định tay cầm và mang máy như thể hiện trong hình.

► **Hình18:** 1. Lưỡi cắt cỏ

Cắt giữ

Tháo gio đỡ đỡ cỏ, sau đó thu ngắn tay cầm. (Tham khảo “LẮP RÁP”.)

Gấp tay cầm xuống cho đến khi tay cầm được đặt đúng vị trí bằng cỡ chặn.

Đặt máy và móc gio đỡ đỡ cỏ như thể hiện trong hình.

► **Hình19:** 1. Cỡ chặn

Cắt giữ chốt khóa và cờ lê sáu cạnh

Chốt khóa và cờ lê sáu cạnh có thể được cắt giữ bên trong nắp hộp pin.

Khi không sử dụng, hãy cắt giữ chốt khóa và cờ lê lục giác để tránh làm mất.

► **Hình20:** 1. Chốt khóa 2. Cờ lê lục giác

BẢO TRÌ

⚠ CẢNH BÁO: Trước khi thực hiện bảo trì, tháo hộp pin ra khỏi máy và xác nhận rằng lưỡi cắt cỏ đã dừng hẳn.

⚠ THẬN TRỌNG: Khi thực hiện việc bảo trì, luôn luôn đeo găng tay.

Để đảm bảo ĐỘ AN TOÀN và ĐỘ TIN CẬY của sản phẩm, việc sửa chữa hoặc bất cứ thao tác bảo trì, điều chỉnh nào đều phải được thực hiện bởi các Trung tâm Dịch vụ Nhà máy hoặc Trung tâm được Makita Ủy quyền và luôn sử dụng các phụ tùng thiết bị thay thế của Makita.

Bảo trì sau khi cắt cỏ

Sau khi cắt cỏ, lau máy bằng vải khô hoặc một miếng vải nhúng vào nước xà phòng. Ngoài ra, sử dụng bàn chải mềm để phủ cỏ và bụi bẩn bám trên lưỡi cắt cỏ.

⚠ THẬN TRỌNG: Không phun hoặc đổ nước lên máy khi vệ sinh. Không rửa bằng vòi; tránh để nước đi vào động cơ và các kết nối điện.

CHÚ Ý: Không được phép dùng xăng, ét xăng, dung môi, cồn hoặc hóa chất tương tự. Có thể xảy ra hiện tượng mất màu, biến dạng hoặc nứt vỡ.

Thay thế lưỡi cắt cỏ

⚠ THẬN TRỌNG: Không sử dụng bất kỳ cờ lê nào khác ngoài cờ lê sáu cạnh tiêu chuẩn khi thay thế lưỡi cắt cỏ. Sử dụng cờ lê khác có thể dẫn đến vận quá chặt hoặc quá lỏng, điều này có thể gây thương tích.

1. Tháo hộp pin ra khỏi máy cắt cỏ. Đặt nó ở nơi an toàn tránh xa tầm tay trẻ em.
2. Gấp tay cầm xuống và lật máy lại.

► **Hình21**

3. Lắp chốt khóa xuyên qua lỗ ở tấm đáy và lắp chốt vào lỗ trên thân máy chính.

► **Hình22:** 1. Tấm đáy 2. Chốt khóa 3. Lỗ

4. Sử dụng khóa lục giác để nới lỏng bu-lông lục giác.

► **Hình23:** 1. Bu-lông lục giác 2. Chốt khóa 3. Cờ lê lục giác

5. Nới lỏng hai bu-lông lục giác cố định tấm đáy, và tháo tấm đáy.

► **Hình24:** 1. Tấm đáy 2. Bu-lông lục giác

6. Tháo bu-lông-lục giác, vành ngoài, và lưỡi cắt cỏ.

► **Hình25:** 1. Bu-lông lục giác 2. Vành ngoài 3. Lưỡi cắt cỏ

7. Đặt lưỡi cắt cỏ mới, vành ngoài, và bu-lông lục giác, và sau đó tạm thời vận chặt bu-lông lục giác. Đảm bảo rằng mũi tên trên tấm đáy và mũi tên trên lưỡi cắt cỏ đều chỉ cùng hướng.

► **Hình26:** 1. Bu-lông lục giác 2. Vành ngoài 3. Lưỡi cắt cỏ

8. Gắn tấm đáy theo thứ tự thể hiện trong hình, sau đó vận chặt hai bu-lông lục giác.

► **Hình27:** 1. Rãnh khóa 2. Tấm đáy 3. Bu-lông lục giác

⚠ THẬN TRỌNG: Đảm bảo chèn tấm đáy hoàn toàn vào máy sao cho các phần nhô ra trên máy được lắp hoàn toàn vào các rãnh của tấm đáy. Nếu không làm như vậy có thể gây ra thương tích vì tấm đáy có thể rơi ra do các bu-lông lục giác bị lệch.

9. Lắp chốt khóa vào lỗ trên tấm đáy, và sau đó vận chặt bu-lông lục giác bằng cờ lê lục giác để cố định lưỡi cắt cỏ.

► **Hình28:** 1. Bu-lông lục giác 2. Chốt khóa 3. Cờ lê lục giác

PHỤ KIỆN TÙY CHỌN

⚠ THẬN TRỌNG: Các phụ kiện hoặc phụ tùng gắn thêm này được khuyến cáo sử dụng với dụng cụ Makita của bạn theo như quy định trong hướng dẫn này. Việc sử dụng bất cứ phụ kiện hoặc phụ tùng gắn thêm nào khác đều có thể gây ra rủi ro thương tích cho người. Chỉ sử dụng phụ kiện hoặc phụ tùng gắn thêm cho mục đích đã quy định sẵn của chúng.

Nếu bạn cần bất kỳ sự hỗ trợ nào để biết thêm chi tiết về các phụ tùng này, hãy hỏi Trung tâm Dịch vụ của Makita tại địa phương của bạn.

- Lưỡi cắt cỏ
- Pin và bộ sạc chính hãng của Makita

LƯU Ý: Một số mục trong danh sách có thể được bao gồm trong gói dụng cụ làm phụ kiện tiêu chuẩn. Các mục này ở mỗi quốc gia có thể khác nhau.

ข้อมูลจำเพาะ

รุ่น:	DLM230	
ความเร็วหมุนเปล่า	7,000 min ⁻¹	
ความสูงในการตัด	10 mm - 55 mm	
ความกว้างในการตัด	230 mm	
ขนาด (ยาว x กว้าง x สูง)	ในระหว่างการทำงาน (รวม ตะกร้าเก็บหญ้า)	ยาว: 860 mm ถึง 1,105 mm กว้าง: 256 mm สูง: 680 mm ถึง 920 mm
	เมื่อเก็บ (โดยไม่มีตะกร้าเก็บหญ้า) (ในตำแหน่งตั้งตรง)	264 mm x 363 mm x 780 mm
แรงดันไฟฟ้าที่กำหนด	D.C. 18 V	
น้ำหนักสุทธิ	8.6 - 8.9 kg	
ระดับการป้องกัน	IPX4	

- เนื่องจากการค้นคว้าวิจัยและพัฒนาอย่างต่อเนื่อง ข้อมูลจำเพาะในเอกสารฉบับนี้อาจเปลี่ยนแปลงได้โดยไม่ต้องแจ้งให้ทราบล่วงหน้า
- ข้อมูลจำเพาะอาจแตกต่างกันไปในแต่ละประเทศ
- น้ำหนักอาจแตกต่างกันไปตามอุปกรณ์เสริม รวมถึงตลับแบตเตอรี่ การตัดอุปกรณ์เสริมที่เบาที่สุดและหนักที่สุดตามข้อบังคับของ EPTA 01/2014 มีแสดงอยู่ในตาราง

ตลับแบตเตอรี่และเครื่องชาร์จที่ใช้ได้

ตลับแบตเตอรี่	BL1820B / BL1830B / BL1840B / BL1850B / BL1860B
เครื่องชาร์จ	DC18RC / DC18RD / DC18RE / DC18SD / DC18SE / DC18SF / DC18SH









- ตลับแบตเตอรี่และเครื่องชาร์จบางรายการที่แสดงอยู่ด้านบนอาจไม่มีวางจำหน่ายขึ้นอยู่กับภูมิภาคที่คุณอาศัยอยู่

คำเตือน: ใช้ตลับแบตเตอรี่และเครื่องชาร์จที่ระบุไว้ข้างบนเท่านั้น การใช้ตลับแบตเตอรี่และเครื่องชาร์จประเภทอื่นอาจก่อให้เกิดความเสี่ยงที่จะได้รับบาดเจ็บและ/หรือเกิดไฟไหม้

คำเตือน: อย่าใช้แหล่งจ่ายไฟที่มีสาย เช่น อะแดปเตอร์แบตเตอรี่ หรือชุดต้นกำลังแบบพกพา กับเครื่องนี้ สายไฟของแหล่งจ่ายไฟดังกล่าวอาจกีดขวางการทำงานและส่งผลให้ได้รับบาดเจ็บได้

สัญลักษณ์

ต่อไปนี้เป็นสัญลักษณ์ที่อาจใช้สำหรับอุปกรณ์ โปรดศึกษาความหมายของสัญลักษณ์ให้เข้าใจก่อนการใช้งาน

	ใช้ความระมัดระวังและความสนใจเป็นพิเศษ
	อ่านคู่มือการใช้งาน
	อันตราย ระวังชิ้นส่วนที่กระเด็นมา
	เครื่องมือและผู้ที่อยู่ข้างเคียงจะต้องมีระยะห่างระหว่างกันอย่างน้อย 15 m
	อย่านำมือและเท้าเข้าไปใกล้ใบมีดเครื่องตัดหญ้าที่อยู่ใต้เครื่อง ใบมีดเครื่องตัดหญ้าจะยังคงหมุนต่อหลังจากปิดสวิตช์มอเตอร์แล้ว
	คำเตือน ถอดแบตเตอรี่ก่อนทำการบำรุงรักษา
	ตรวจสอบให้แน่ใจว่าได้ติดตั้งตะกร้าเก็บหญ้าก่อนใช้งาน
	คำเตือน อย่าวางมือ นิ้ว หรือเท้าใกล้กับใบมีดเครื่องตัดหญ้า

จุดประสงค์การใช้งาน

เครื่องนี้ใช้สำหรับตัดหญ้าในสนามหญ้า

คำเตือนด้านความปลอดภัย

คำแนะนำด้านความปลอดภัยที่สำคัญ

คำเตือน: อ่านคำเตือนด้านความปลอดภัยและคำแนะนำทั้งหมด การไม่ปฏิบัติตามคำเตือนและคำแนะนำดังกล่าวอาจส่งผลให้ไฟฟ้าช็อต ไฟไหม้ และ/หรือได้รับบาดเจ็บร้ายแรง

เก็บรักษาคำเตือนและคำแนะนำทั้งหมดไว้เป็นข้อมูลอ้างอิงในอนาคต

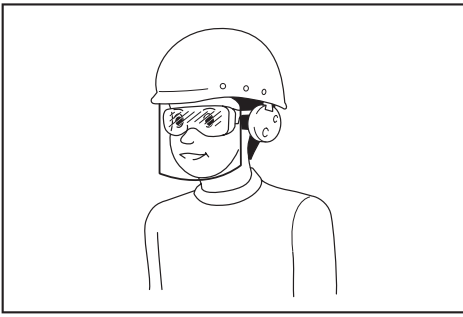
การฝึกปฏิบัติ

1. อ่านคำแนะนำอย่างละเอียด ทำความคุ้นเคยกับการควบคุมและการใช้งานเครื่องตัดหญ้าอย่างเหมาะสม
2. ห้ามอนุญาตให้เด็กหรือผู้ที่ไม่คุ้นเคยกับคู่มือการใช้งานเครื่องตัดหญ้า ช้อกกำหนดในท้องถิ่นสามารถจำกัดอายุของผู้ปฏิบัติงาน

3. ห้ามใช้งานเครื่องตัดหญ้าขณะที่ผู้อื่น โดยเฉพาะเด็ก หรือสัตว์เลี้ยงอยู่ใกล้เคียง
4. โปรดทราบว่าผู้ปฏิบัติงานหรือผู้ใช้จะต้องเป็นผู้รับผิดชอบต่ออุบัติเหตุหรืออันตรายที่เกิดขึ้นต่อบุคคลหรือทรัพย์สินของบุคคลอื่น
5. เด็กต้องได้รับการดูแลเพื่อให้มั่นใจว่าเด็กจะไม่เล่นเครื่องตัดหญ้า
6. อย่าใช้งานเครื่องในสภาพที่อาจเกิดการระเบิด เช่น ในสถานที่ที่มีของเหลว ก๊าซ หรือฝุ่นผงที่มีคุณสมบัติไวไฟ เครื่องอาจสร้างประกายไฟและทำให้ฝุ่นหรือไอระเหยติดไฟได้
7. สภาพทางกายภาพ - อย่าใช้งานเครื่องตัดหญ้าขณะอยู่ในสภาพที่มึนเมาจากยาเสพติด เครื่องดื่มแอลกอฮอล์ หรือการไช้ยา

การเตรียมความพร้อม

1. ระหว่างที่ใช้งานเครื่องตัดหญ้า ต้องใส่รองเท้าที่แข็งแรงและกางเกงขายาว อย่าใช้งานเครื่องตัดหญ้าขณะที่เท้าเปล่าหรือใส่รองเท้าแตะที่เปิดโล่ง หลีกเลี่ยงการใส่เสื้อผ้าหรือเครื่องประดับที่หลวมหรือมีสายหรือเชือกผูกห้อยอยู่ เนื่องจากอาจเข้าไปติดในชิ้นส่วนที่เคลื่อนไหวได้
2. ก่อนใช้งาน ให้ตรวจสอบเครื่องตัดหญ้าด้วยสายตาว่ามีความเสียหาย ที่ป้องกันหรือก้างไม่อยู่ในที่หรืออยู่ผิดที่หรือไม่
3. ตรวจสอบให้แน่ใจว่าพื้นที่ดังกล่าวไม่มีบุคคลอื่นก่อนทำการตัดหญ้า หยุดเครื่องตัดหญ้าหากมีบุคคลอื่นเข้ามาในพื้นที่
4. อย่าสอดด้ามแบตเตอรี่ลงในเครื่องตัดหญ้าจนกว่าเครื่องจะพร้อมใช้งาน
5. ใช้อุปกรณ์ป้องกันส่วนบุคคล สวมแว่นตาป้องกันแสงมอ อุปกรณ์ป้องกัน เช่น หน้ากากกันฝุ่น รองเท้านิรภัยกันลื่น หมวกนิรภัย หรือเครื่องป้องกันการได้ยินที่ใช้ในสภาพที่เหมาะสมจะช่วยลดการบาดเจ็บ
6. สวมใส่แว่นครอบตานิรภัยเพื่อปกป้องดวงตาของคุณจากการบาดเจ็บเมื่อใช้เครื่องมือไฟฟ้า แวนครอบตาจะต้องได้มาตรฐาน ANSI Z87.1 ในสหรัฐอเมริกา, EN 166 ในยุโรป หรือ AS/NZS 1336 ในออสเตรเลีย/นิวซีแลนด์ ในออสเตรเลีย/นิวซีแลนด์ จะต้องสวมเกราะป้องกันใบหน้าเพื่อปกป้องใบหน้าของคุณอย่างถูกต้องตามกฎหมายด้วย



ผู้ว่าจ้างมีหน้าที่รับผิดชอบในการบังคับผู้ใช้งานเครื่องมือและบุคคลอื่นๆ ที่อยู่ในบริเวณที่ปฏิบัติงานให้ใช้อุปกรณ์ป้องกันที่เหมาะสม

7. ตรวจสอบใบมีดเครื่องตัดหญ้าหรือสลักเกลียวของใบมีดเครื่องตัดหญ้าด้วยความละเอียดรอบคอบว่ามีรอยแตกหรือความเสียหายหรือไม่ก่อนใช้งาน เปลี่ยนใบมีดเครื่องตัดหญ้าหรือสลักเกลียวของใบมีดเครื่องตัดหญ้าที่แตกหรือเสียหายทันที
8. กำจัดสิ่งแปลกปลอม เช่น ก้อนหิน เส้นลวด ขวด กระดุก และชิ้นไม้ขนาดใหญ่ออกจากพื้นที่ทำงานก่อนตัดหญ้า เพื่อป้องกันไม่ให้เกิดการบาดเจ็บหรือความเสียหายต่อเครื่องตัดหญ้า
9. สิ่งติดอยู่กับใบมีดของเครื่องตัดหญ้าสามารถก่อให้เกิดบาดแผลรุนแรงได้ ควรมีการตรวจสอบสนามหญ้าอย่างละเอียดและกำจัดสิ่งต่างๆ ออกไปก่อนทำการตัดหญ้าในแต่ละครั้ง
10. ระวัง รู้อะซิด ฟันหนู หิน หรือวัตถุที่ซ่อนอยู่อื่นๆ พื้นที่ไม้ราบเรียบอาจทำให้เกิดอุบัติเหตุที่เกิดจากการลื่นและล้มได้ หญ้าที่สูงอาจบังสิ่งกีดขวางต่างๆ
11. ดูแลมือจับและบริเวณมือจับให้แห้ง สะอาด และไม่มีน้ำมันและจาระบีเปื้อน มือจับและบริเวณมือจับที่ลื่นจะทำให้ไม่สามารถจับและควบคุมเครื่องมือได้อย่างปลอดภัยในสถานการณ์ที่ไม่คาดคิด

การใช้งาน

1. อย่าทำงานในระบะที่แดดจ้า อ่อน รักษาความสมดุลอยู่เสมอ ตรวจสอบท่ายืนให้มั่นคงบนทางลาดเสมอ โปรดเดิน ห้ามวิ่ง
2. หยุดใช้งานเครื่องตัดหญ้าและถอดตัวแบตเตอรี่ออกจากนั้นตรวจสอบให้แน่ใจว่าชิ้นส่วนเคลื่อนที่ทั้งหมดหยุดนิ่งแล้ว
 - ทุกครั้งที่คุณวางเครื่องตัดหญ้าทิ้งไว้
 - ก่อนกำจัดสิ่งกีดขวางหรือทำความสะอาดรางส่งที่อุดตัน
 - ก่อนตรวจสอบ ทำความสะอาด หรือจัดการเครื่องตัดหญ้า

- หลังจากกระแทกเข้ากับวัตถุแปลกปลอม ตรวจสอบเครื่องตัดหญ้าว่ามีความเสียหายหรือไม่ แล้วทำการซ่อมแซมก่อนเริ่มเครื่องและใช้งานเครื่องตัดหญ้าอีกครั้ง
 - เมื่อเครื่องตัดหญ้าเริ่มสั่นสะเทือนผิดปกติ
3. ห้ามใช้งานเครื่องตัดหญ้าที่มีที่ป้องกันหรือกำบังที่เสียหาย หรือไม่มีอุปกรณ์ป้องกันกันภัย เช่น ที่ปิดเศษไม้และ/หรือตะกร้าเก็บหญ้า ติดตั้งอยู่
 4. หลีกเลี่ยงการใช้งานเครื่องตัดหญ้าในสภาพอากาศที่ไม่ดี โดยเฉพาะอย่างยิ่งเมื่อมีความเสี่ยงที่จะเกิดฟ้าผ่า
 5. สวมอุปกรณ์ป้องกันดวงตาและรองเท้าที่แข็งแรงตลอดเวลาในขณะใช้งานเครื่องตัดหญ้า
 6. ใช้งานเครื่องตัดหญ้าในเวลากลางวันหรือมีแสงเทียมส่องสว่างเท่านั้น
 7. เปิดเครื่องตัดหญ้าด้วยความระมัดระวังตามคำแนะนำและวางเท้าให้ห่างจากใบมีดเครื่องตัดหญ้า
 8. ดูแลมือและเท้าอย่าให้บาดเจ็บจากใบมีดเครื่องตัดหญ้า
 9. ตรวจสอบอยู่เสมอว่าช่องระบายอากาศไม่มีเศษขยะ
 10. ตัดหญ้าตามพื้นผิวแนวลาด ไม่ตัดขึ้นและลง ใช้ความระมัดระวังอย่างมากในการเปลี่ยนทิศทางแนวลาดอย่าตัดหญ้าในแนวลาดชันเกินไป
 11. ใช้ความระมัดระวังอย่างมากเมื่อเดินถอยหลังหรือดึงเครื่องตัดหญ้าเข้าหาตัว
 12. หยุดใบมีดเครื่องตัดหญ้าหากต้องเอียงเครื่องตัดหญ้าเพื่อขนย้ายเมื่อต้องข้ามพื้นผิวอื่นนอกเหนือจากหญ้า และเมื่อขนย้ายเครื่องตัดหญ้าไปยังและออกจากพื้นที่ที่จะใช้งาน
 13. อย่าเอียงเครื่องตัดหญ้าขณะที่เปิดสวิตช์มอเตอร์ ยกเว้นเมื่อต้องเอียงเครื่องตัดหญ้าเพื่อเริ่มใช้งาน ในกรณีนี้ อย่าเอียงเครื่องเกินกว่าที่จำเป็น และยกแค่ส่วนดังกล่าวให้ไกลจากผู้ปฏิบัติงาน ตรวจสอบให้แน่ใจเสมอว่ามือทั้งสองข้างอยู่ในตำแหน่งการใช้งานก่อนวางเครื่องตัดหญ้ากลับลงบนพื้น
 14. อย่าวางมือหรือเท้าใกล้หรือใช้ชิ้นส่วนที่หมุน อย่าเข้าใกล้ช่องปล่อยเศษหญ้าเด็ดขาด
 15. อย่าขนย้ายเครื่องตัดหญ้าขณะที่ยังเปิดเครื่องตัดหญ้า
 16. หลีกเลี่ยงการใช้งานในสภาพแวดล้อมที่อันตราย ห้ามใช้เครื่องในพื้นที่เปียกชื้นหรือโดนเม็ดฝน น้ำที่เข้าไปในเครื่องจะเพิ่มความเสี่ยงในการเกิดไฟฟ้าช็อต
 17. หลีกเลี่ยงการใช้งานเครื่องตัดหญ้ากับหญ้าเปียก
 18. ห้ามใช้งานเครื่องตัดหญ้าขณะฝนตก
 19. จับมือจับให้มั่นเสมอ

20. อย่าจับใบมีดเครื่องตัดหญ้าหรือขอบการตัดเมื่อยกหรือถือเครื่องตัดหญ้า
21. ดูลมมือและเท้าให้อยู่ห่างจากใบมีดเครื่องตัดหญ้าที่หมุนอยู่ ข้อควรระวัง - ใบมีดเครื่องตัดหญ้าจะยังคงหมุนอยู่หลังจากปิดสวิตช์เครื่องตัดหญ้าแล้ว
22. หยุดทำงานทันทีหากคุณพบว่าไม่มีสิ่งผิดปกติ ปิดสวิตช์เครื่องตัดหญ้าและถอดปลั๊กแบตเตอรี่ จากนั้นให้ตรวจสอบเครื่องตัดหญ้า
23. ห้ามพยายามปรับความสูงในการตัดในขณะที่เครื่องตัดหญังกำลังทำงานอยู่ หากเครื่องตัดหญ้ามีคุณสมบัติการปรับความสูงในการตัด
24. ปลอ่ยก้านสวิตช์และรอกจนกระทั่งใบมีดเครื่องตัดหญ้าหยุดหมุนก่อนข้ามทางรถ ทางเดินเท้า ถนน และพื้นที่ที่ปกคลุมด้วยหินกรวด นอกจากนี้ ให้ถอดปลั๊กแบตเตอรี่ออกหากคุณละจากเครื่องตัดหญ้า เอื้อมไปหยิบหรือนำวัตถุที่ขวางทางอยู่ออก หรือเหตุผลอื่นใดที่อาจทำให้คุณเสียสมาธิจากสิ่งที่คุณกำลังทำอยู่
25. ถ้าเครื่องตัดหญ้ากระแทกเข้ากับสิ่งแปลกปลอม ให้ทำตามขั้นตอนดังนี้
 - หยุดเครื่องตัดหญ้า ปลอ่ยก้านสวิตช์ และรอกจนกระทั่งใบมีดเครื่องตัดหญ้าหยุดนิ่งแล้ว
 - ถอดปลั๊กแบตเตอรี่
 - ตรวจสอบความเสียหายของเครื่องตัดหญ้าอย่างละเอียด
 - เปลี่ยนใบมีดเครื่องตัดหญ้าหากมีความเสียหายใดๆ ซ่อมความเสียหายใดๆ ก่อนเริ่มใช้งานและใช้งานเครื่องตัดหญ้าต่อ
26. อย่าเริ่มใช้งานเครื่องตัดหญ้าขณะยืนอยู่หน้าของปลอ่ยเศษหญ้า
27. ถ้าเครื่องตัดหญ้าเริ่มสั่นผิดปกติ (ตรวจสอบทันที)
 - ตรวจสอบความเสียหาย
 - เปลี่ยนหรือซ่อมแซมชิ้นส่วนที่เสียหาย
 - ตรวจสอบชิ้นส่วนที่หลวมและขันให้แน่น
28. ห้ามปลอ่ยวัสดุไปทางบุคคลใดๆ หลีกเลี่ยงการปลอ่ยวัสดุไปทางกำแพงหรือสิ่งกีดขวาง วัสดุอาจเด็นกลับมาจากผู้ปฏิบัติงานได้ หยุดใบมีดเครื่องตัดหญ้าเมื่อข้ามพื้นที่ที่ปกคลุมด้วยหินกรวด
29. อย่างใดเครื่องตัดหญ้าถอยหลังหากไม่จำเป็นโดยเด็ดขาด เมื่อคุณจำเป็นต้องบังคับเครื่องตัดหญ้ามาทางด้านหลังเพื่อให้ออกห่างจากรูหรือสิ่งกีดขวางอื่นๆ ที่คล้ายกันนี้ ให้มองด้านล่างและด้านหลังก่อนและขณะเคลื่อนเครื่องตัดหญ้าถอยหลัง

30. ปิดมอเตอร์และรอกจนกระทั่งใบมีดเครื่องตัดหญ้าหยุดนิ่งแล้วก่อนนำตะกร้าเก็บหญ้าออก โปรดทราบว่าใบมีดเครื่องตัดหญ้าจะยังคงหมุนอยู่แม้ว่าจะปิดเครื่องแล้ว

การบำรุงรักษาและการเก็บรักษา

1. เปลี่ยนชิ้นส่วนที่สึกหรอหรือเสียหายเพื่อความปลอดภัย ใช้ชิ้นส่วนอะไหล่และอุปกรณ์เสริมของแท้เท่านั้น
2. ตรวจสอบและบำรุงรักษาเครื่องตัดหญ้าเป็นประจำ
3. เมื่อไม่ใช้งาน ให้เก็บเครื่องตัดหญ้าให้ห่างจากมือเด็ก
4. ชันน็อต สลักเกลียว และสกรูทุกตัวให้แน่นเพื่อให้มั่นใจว่าอุปกรณ์อยู่ในสภาพการใช้งานที่ปลอดภัย
5. ตรวจสอบความสึกหรอหรือการเสื่อมสภาพของตะกร้าเก็บหญ้าเป็นประจำ ในการเก็บรักษา ตรวจสอบให้แน่ใจว่าตะกร้าเก็บหญ้าว่างอยู่เสมอ เปลี่ยนตะกร้าเก็บหญ้าที่สึกหรอด้วยผลิตภัณฑ์ชิ้นใหม่จากโรงงานเพื่อความปลอดภัย
6. ใช้เฉพาะใบมีดเครื่องตัดหญ้าของแท้ของผู้ผลิตที่ระบุในคู่มือนี้เท่านั้น
7. ใช้ความระมัดระวังในระหว่างการปรับเครื่องตัดหญ้าเพื่อป้องกันนิ้วเข้าไประหว่างใบมีดเครื่องตัดหญ้าที่เคลื่อนที่ได้และชิ้นส่วนคงที่ของเครื่องตัดหญ้า
8. อยาล้างด้วยสายยาง หลีกเลี่ยงการทำให้น้ำเข้ามอเตอร์และจุดเชื่อมต่อไฟฟ้าต่างๆ
9. เมื่อทำการติดตั้งใบมีดเครื่องตัดหญ้า ตรวจสอบให้แน่ใจว่าติดตั้งใบมีดเครื่องตัดหญ้าแน่นดีแล้ว อ่านและปฏิบัติตามคู่มือการใช้งานด้วยความละเอียดรอบคอบ การยึดที่ไม่แน่นเพียงพอหรือไม่สมบูรณ์อาจทำให้เกิดการบาดเจ็บได้
10. ตรวจสอบสลักเกลียวยึดใบมีดเครื่องตัดหญ้าเป็นระยะว่าขันแน่นอย่างเหมาะสมแล้ว
11. ทิ้งเครื่องตัดหญ้าไว้ให้เย็นลงก่อนเก็บเสมอ
12. เมื่อทำการซ่อมบำรุงใบมีดเครื่องตัดหญ้า โปรดทราบว่า แม้ว่าจะปิดสวิตช์แหล่งกำเนิดไฟฟ้าแล้ว ใบมีดเครื่องตัดหญ้าจะยังคงหมุนอยู่
13. ห้ามถอดหรือทำการเปลี่ยนแปลงอุปกรณ์ป้องกันภัย ตรวจสอบการทำงานที่เหมาะสมเสมอ ห้ามทำการใดๆ เพื่อขัดขวางการทำงานที่กำหนดของอุปกรณ์ป้องกันภัยหรือเพื่อลดการป้องกันของอุปกรณ์ป้องกันภัย

การใช้งานและดูแลเครื่องมือที่ใช้แบตเตอรี่

1. ชาร์จไฟใหม่ด้วยเครื่องชาร์จที่ระบุโดยผู้ผลิตเท่านั้น เครื่องชาร์จที่เหมาะสมสำหรับชุดแบตเตอรี่ประเภทหนึ่ง อาจเสี่ยงที่จะเกิดไฟไหม้หากนำไปใช้กับชุดแบตเตอรี่อีกประเภทหนึ่ง
2. ใช้เครื่องมือไฟฟ้ากับชุดแบตเตอรี่ที่กำหนดมาโดยเฉพาะเท่านั้น การใช้ชุดแบตเตอรี่ประเภทอื่นอาจทำให้เสี่ยงที่จะได้รับบาดเจ็บและเกิดไฟไหม้
3. เมื่อไม่ใช้งานชุดแบตเตอรี่ ให้เก็บห่างจากวัตถุที่เป็นโลหะอื่นๆ เช่น คลิปหนีบกระดาษ เหรียญ กุญแจ กรรไกรตัดเล็บ สกรู หรือวัตถุที่เป็นโลหะขนาดเล็กอื่นๆ ที่สามารถเชื่อมต่อชั่วคราวกับอีกขั้วหนึ่งได้ การลัดวงจรขั้วแบตเตอรี่อาจทำให้อ่อนจัดหรือเกิดไฟไหม้
4. ในกรณีที่ใช้งานไม่ถูกต้อง อาจมีของเหลวไหลออกจากแบตเตอรี่ ให้หลีกเลี่ยงการสัมผัส หากสัมผัสโดนของเหลวโดยไม่ตั้งใจ ให้ล้างออกด้วยน้ำ หากของเหลวกระเด็นเข้าตา ให้รีบไปพบแพทย์ ของเหลวที่ไหลออกจากแบตเตอรี่อาจทำให้ผิวหนังระคายเคืองหรือไหม้
5. ห้ามใช้ชุดแบตเตอรี่หรือเครื่องมือที่ชำรุดหรือมีการแก้ไข แบตเตอรี่ที่เสียหายหรือมีการแก้ไขอาจทำให้เกิดสิ่งที่คาดไม่ถึงได้ เช่น ไฟไหม้ ระเบิด หรือเสี่ยงต่อการบาดเจ็บ
6. ห้ามให้ชุดแบตเตอรี่อยู่ใกล้ไฟ หรือบริเวณที่มีอุณหภูมิสูงเกิน หากโดนไฟ หรืออุณหภูมิสูงเกิน 130 °C อาจก่อให้เกิดการระเบิดได้
7. กรุณาปฏิบัติตามคำแนะนำสำหรับการชาร์จไฟ และห้ามชาร์จแบตเตอรี่หรือเครื่องมือในบริเวณที่มีอุณหภูมินอกเหนือไปจากที่ระบุในคำแนะนำ การชาร์จไฟที่ไม่เหมาะสม หรืออุณหภูมินอกเหนือไปจากช่วงอุณหภูมิที่ระบุในคำแนะนำอาจทำให้แบตเตอรี่เสียหายและเป็นการเพิ่มความเสี่ยงในการเกิดไฟไหม้

ความปลอดภัยทางไฟฟ้าและแบตเตอรี่

1. อย่าก่อกำจัดแบตเตอรี่ในไฟ แบตเตอรี่อาจระเบิดได้ ตรวจสอบรหัสท้องถิ่นสำหรับคำแนะนำเกี่ยวกับการกำจัดทั้งแบบพิเศษ
2. อย่าเปิดหรือทำให้แบตเตอรี่เสียหาย อิเล็กโทรไลต์ที่ถูกปล่อยออกมามีคุณสมบัติกัดกร่อน และอาจทำลายดวงตาหรือผิวหนังได้ อาจเป็นพิษหากกลืนกินเข้าไป
3. อย่าชาร์จแบตเตอรี่กลางฝนหรือในสถานที่ที่เปียก
4. ห้ามชาร์จไฟนอกบ้าน หรือกลางแจ้ง
5. ห้ามจับอุปกรณ์ชาร์จรวมถึงปลั๊กเครื่องชาร์จและขั้วอุปกรณ์ชาร์จด้วยมือที่เปียก

การซ่อมบำรุง

1. นำเครื่องมือไฟฟ้าเข้ารับบริการจากช่างซ่อมที่ผ่านการรับรองโดยใช้อะไหล่แบบเดียวกันเท่านั้น เพราะจะทำให้การใช้เครื่องมือไฟฟ้ามีความปลอดภัย
2. ห้ามใช้ชุดแบตเตอรี่ที่เสียหาย ชุดแบตเตอรี่ที่ใช้ควรเป็นชุดที่มาจากผู้ผลิต หรือผู้ให้บริการที่ได้รับอนุญาตเท่านั้น

ปฏิบัติตามคำแนะนำเหล่านี้

⚠ คำเตือน: อย่าให้ความไม่ระมัดระวังหรือความคุ้นเคยกับผลิตภัณฑ์ (จากการใช้งานซ้ำหลายครั้ง) อยู่เหนือการปฏิบัติตามกฎเกณฑ์ด้านความปลอดภัยในการใช้งานผลิตภัณฑ์อย่างเคร่งครัด

การใช้งานอย่างไม่เหมาะสมหรือการไม่ปฏิบัติตามกฎเกณฑ์ด้านความปลอดภัยในคู่มือการใช้งานนี้อาจทำให้ได้รับบาดเจ็บรุนแรง

คำแนะนำเพื่อความปลอดภัยที่สำคัญสำหรับดัลลิบแบตเตอรี่

1. ก่อนใช้งานดัลลิบแบตเตอรี่ ให้อ่านคำแนะนำและเครื่องหมายเตือนทั้งหมดบน (1) เครื่องชาร์จแบตเตอรี่ (2) แบตเตอรี่ และ (3) ตัวผลิตภัณฑ์ที่ใช้แบตเตอรี่
2. อย่าถอดแยกชิ้นส่วนหรือทำการดัดแปลงดัลลิบแบตเตอรี่ เนื่องจากอาจทำให้เกิดไฟไหม้ ความร้อนที่สูงเกินไป หรือระเบิดได้
3. หากระยะเวลาที่เครื่องทำงานสั้นเกินไป ให้หยุดใช้งานทันที เนื่องจากอาจมีความเสี่ยงที่จะร้อนจัด ไหม้หรือระเบิดได้
4. หากสารละลายอิเล็กโทรไลต์กระเด็นเข้าตา ให้ล้างออกด้วยน้ำเปล่าและรีบไปพบแพทย์ทันที เนื่องจากอาจทำให้ตาบอด
5. ห้ามลัดวงจรดัลลิบแบตเตอรี่:
 - (1) ห้ามแตะขั้วกับวัตถุที่เป็นสื่อนำไฟฟ้าใดๆ
 - (2) หลีกเลี่ยงการเก็บดัลลิบแบตเตอรี่ไว้ในภาชนะร่วมกับวัตถุที่เป็นโลหะ เช่น กรรไกรตัดเล็บ เหรียญ ฯลฯ
 - (3) อย่าให้ดัลลิบแบตเตอรี่ถูกนำหรือฝน แบตเตอรี่ลัดวงจรอาจทำให้เกิดการไหลของกระแสไฟฟ้า ร้อนจัด ไหม้หรือเสียหายได้
6. ห้ามเก็บและใช้เครื่องมือและดัลลิบแบตเตอรี่ไว้ในสถานที่ที่มีอุณหภูมิสูงถึงหรือเกิน 50 °C (122 °F)

7. ห้ามเผาถลับแบตเตอรี่ทิ้ง แม้ว่าแบตเตอรี่จะเสียหายจนใช้การไม่ได้หรือเสื่อมสภาพแล้ว ถลับแบตเตอรี่อาจจะระเบิดในกองไฟ
8. อย่าถอดตะปู ตัด บด ขั้ววง หรือทำถลับแบตเตอรี่หล่นพื้น หรือกระแทกถลับแบตเตอรี่กับวัตถุของแข็ง การกระทำดังกล่าวอาจส่งผลให้เกิดไฟไหม้ ความร้อนที่สูงเกินไป หรือระเบิดได้
9. ห้ามใช้แบตเตอรี่ที่เสียหาย
10. แบตเตอรี่ลิเทียมไอออนที่มีมาให้มาเป็นไปตามข้อกำหนดของ Dangerous Goods Legislation สำหรับการขนส่งเพื่อการพาณิชย์ เช่น โดยบุคคลที่สาม ตัวแทนขนส่งสินค้า จะต้องตรวจสอบข้อกำหนดพิเศษในด้านการบรรจุหีบห่อหรือการติดป้ายสินค้าในการเตรียมสินค้าที่จะขนส่ง ให้ปรึกษาผู้เชี่ยวชาญด้านวัตถุอันตราย โปรดตรวจสอบข้อกำหนดในประเทศที่อาจมีรายละเอียดอื่น ๆ เพิ่มเติม ให้ติดเทปหรือปิดหน้าสัมผัสและห่อแบตเตอรี่ในลักษณะที่แบตเตอรี่จะไม่เคลื่อนที่ไปมาในหีบห่อ
11. เมื่อกำจัดถลับแบตเตอรี่ ให้ถอดถลับแบตเตอรี่ออกจากเครื่องมือและกำจัดในสถานที่ที่ปลอดภัย ปฏิบัติตามข้อบังคับในท้องถิ่นที่เกี่ยวกับการกำจัดแบตเตอรี่
12. ใช้แบตเตอรี่กับผลิตภัณฑ์ที่ระบุโดย Makita เท่านั้น การติดตั้งแบตเตอรี่ในผลิตภัณฑ์ที่ไม่ใช่ตามที่ระบุอาจทำให้เกิดไฟไหม้ ความร้อนสูง ระเบิด หรืออิเล็กทรอนิกส์รั่วไหลได้
13. หากไม่ใช่เครื่องมือเป็นระยะเวลานาน จะต้องถอดแบตเตอรี่ออกจากเครื่องมือ
14. ในระหว่างและหลังการใช้งาน ถลับแบตเตอรี่อาจร้อนซึ่งอาจลวกผิวหรือทำให้ผิวหนังไหม้ที่อุณหภูมิต่ำได้ โปรดระมัดระวังในการจัดการกับแบตเตอรี่ที่ร้อน
15. อย่าสัมผัสขั้วของเครื่องมือทันทีหลังจากการใช้งาน เนื่องจากอาจมีความร้อนพอที่จะทำให้ผิวหนังไหม้ได้
16. อย่าปล่อยให้เศษวัสดุ ฝุ่นผง หรือดินเข้าไปติดอยู่ในขั้ว รู และร่องของถลับแบตเตอรี่ เนื่องจากอาจทำให้เกิดความร้อน ไฟไหม้ ระเบิด และทำให้เครื่องมือหรือถลับแบตเตอรี่ทำงานผิดปกติ ส่งผลให้โดนลวกหรือเกิดการบาดเจ็บได้
17. หากเครื่องมือไม่รองรับสายไฟแรงดันสูง อย่าใช้ถลับแบตเตอรี่ใกล้กับสายไฟแรงดันสูง เนื่องจากเครื่องมือหรือถลับแบตเตอรี่อาจทำงานผิดปกติหรือเสียหายได้
18. เก็บแบตเตอรี่ให้ห่างจากเด็ก

ปฏิบัติตามคำแนะนำเหล่านี้

⚠ ข้อควรระวัง: ใช้แบตเตอรี่ของแท้จาก Makita เท่านั้น การใช้แบตเตอรี่ Makita ที่ไม่แท้ หรือแบตเตอรี่ที่ถูกเปลี่ยน อาจทำให้แบตเตอรี่ระเบิด ก่อให้เกิดเพลิงลุกไหม้ การบาดเจ็บ และความเสียหายได้ และจะทำให้การรับประกันของ Makita สำหรับเครื่องมือและแท่นชาร์จของ Makita เป็นโมฆะด้วย

เคล็ดลับในการรักษาอายุการใช้งานของแบตเตอรี่ให้ยาวนานที่สุด

1. ชาร์จถลับแบตเตอรี่ก่อนที่ไฟจะหมด หยุดการใช้งานแล้วชาร์จประจุไฟฟ้าใหม่ทุกครั้งเมื่อคุณรู้สึกว่าคุณประณมีกำลังลดลง
2. อย่าชาร์จถลับแบตเตอรี่ที่มีไฟเต็มแล้ว การชาร์จประจุไฟฟ้ามากเกินไปอาจจะทำให้อายุการใช้งานของถลับแบตเตอรี่สั้นลง
3. ชาร์จประจุไฟฟ้าถลับแบตเตอรี่ในห้องที่มีอุณหภูมิระหว่าง 10 °C - 40 °C ปล่อยให้ถลับแบตเตอรี่เย็นลงก่อนที่จะชาร์จไฟ
4. เมื่อไม่ใช้ถลับแบตเตอรี่ ให้ถอดออกจากเครื่องมือหรือเครื่องชาร์จ
5. ชาร์จไฟถลับแบตเตอรี่หากคุณไม่ต้องการใช้เป็นเวลานาน (เกินกว่าหกเดือน)








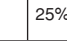

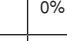





คำอธิบายการทำงาน

⚠ ข้อควรระวัง: ตรวจสอบให้แน่ใจเสมอว่าปิดสวิตซ์เครื่องและนำถลับแบตเตอรี่ออกแล้วก่อนทำการปรับหรือตรวจสอบฟังก์ชันของเครื่อง

การระบุระดับพลังงานแบตเตอรี่ที่เหลืออยู่

สำหรับถลับแบตเตอรี่ที่มีตัวแสดงสถานะเท่านั้น

- ▶ หมายเลข 1: 1. ไฟแสดงสถานะ 2. ปุ่มตรวจสอบ กดปุ่ม ตรวจสอบ บนถลับแบตเตอรี่เพื่อดูปริมาณแบตเตอรี่ที่เหลือ ไฟแสดงสถานะจะสว่างขึ้นเป็นเวลาสองสามวินาที

ไฟแสดงสถานะ			แบตเตอรี่ที่เหลือ
			
			75% ถึง 100%
			50% ถึง 75%
			25% ถึง 50%
			0% ถึง 25%
			ชาร์จไฟแบตเตอรี่
	 ↑  ↓ 		แบตเตอรี่อาจจะเสีย

หมายเหตุ: ขึ้นอยู่กับสภาพการใช้งานและอุณหภูมิโดยรอบ การแสดงสถานะอาจจะแตกต่างจากปริมาณแบตเตอรี่จริงเล็กน้อย

หมายเหตุ: ไฟแสดงสถานะดวงแรก (ซ้ายสุด) จะกะพริบเมื่อระบบป้องกันแบตเตอรี่ทำงาน

การปรับความสูงของการตัดหญ้า

คำเตือน: ห้ามวางมือหรือขาไว้ได้เครื่องตัดหญ้าขณะปรับความสูงของการตัดหญ้า

ข้อควรระวัง: ตรวจสอบให้แน่ใจเสมอว่าปิดสวิทช์เครื่องและนำด้ามแบตเตอรี่ออกแล้วก่อนทำการปรับความสูงในการตัดหญ้า

คุณสามารถปรับความสูงการตัดหญ้าในช่วงระหว่าง 10 มม ถึง 55 มม

▶ **หมายเลข 2:** 1. ปุ่มล๊อค 2. ก้านปรับ

วางมือข้างหนึ่งไว้บนตัวเครื่องหลัก จากนั้นเลื่อนก้านปรับไปข้างหน้าหรือข้างหลังตามความสูงที่ต้องการด้วยมืออีกข้างโดยกดปุ่มล๊อคบนก้านปรับเอาไว้ ปล่อยปุ่มล๊อคที่ความสูงที่ต้องการ

▶ **หมายเลข 3**

ข้อสังเกต: ตรวจสอบให้แน่ใจว่าปุ่มล๊อคถูกล๊อคอย่างเหมาะสมแล้วก่อนทำการปรับ

หมายเหตุ: ควรใช้ตัวเลขความสูงในการตัดเป็นแนวทางความสูงของสนามหญ้าจริงอาจแตกต่างจากความสูงที่ตั้งค่าไว้เล็กน้อย ขึ้นอยู่กับสภาพของสนามหญ้าหรือพื้นดิน

หมายเหตุ: ลองทดสอบตัดหญ้าในที่แจ้งเพื่อให้ได้ความสูงที่ต้องการ

การทำงานของสวิทช์

คำเตือน: ก่อนใส่ด้ามแบตเตอรี่ให้ตรวจสอบว่าก้านสวิทช์สามารถทำงานได้อย่างถูกต้อง และกลับไปยังตำแหน่งเดิมเมื่อปล่อย การใช้งานเครื่องโดยที่สวิทช์ไม่ทำงานอย่างถูกต้องอาจนำไปสู่การสูญเสียการควบคุมและการบาดเจ็บสาหัสได้

คำเตือน: เพื่อความปลอดภัยของคุณ เครื่องมือนี้จะมีปุ่มปลดล๊อคติดตั้งมาเพื่อป้องกันเครื่องมือจากการเริ่มทำงานโดยไม่ได้ตั้งใจ ห้ามใช้เครื่องหากเครื่องเริ่มทำงานเมื่อคุณดึงก้านสวิทช์โดยไม่ได้กดปุ่มปลดล๊อค สอบถามศูนย์บริการ Makita ใกล้บ้านคุณเพื่อทำการซ่อมแซม

คำเตือน: ห้ามปิดการทำงานแบบล๊อคหรือติดเทปทับปุ่มปลดล๊อค

ข้อสังเกต: อย่าฝืนดึงก้านสวิทช์โดยไม่กดปุ่มปลดล๊อค สวิทช์อาจแตกได้

การเริ่มใช้งานเครื่องมือ ให้กดปุ่มปลดล๊อคก่อน จากนั้นบีบก้านสวิทช์ด้านซ้ายหรือขวาเข้า การหยุดเครื่องมือ ให้ปล่อยก้านสวิทช์ เมื่อก้านสวิทช์ถูกปล่อย ปุ่มปลดล๊อคจะกลับไปยังตำแหน่งล๊อคโดยอัตโนมัติ

▶ **หมายเลข 4:** 1. ปุ่มล๊อค 2. ก้านสวิทช์

ระบบป้องกันเครื่องมือ / แบตเตอรี่

เครื่องมือนี้มระบบป้องกันเครื่องมือ/แบตเตอรี่ ระบบนี้จะตัดไฟที่ส่งไปยังมอเตอร์โดยอัตโนมัติเพื่อยืดอายุการใช้งานเครื่องมือและแบตเตอรี่ เครื่องจะหยุดทำงานโดยอัตโนมัติในระหว่างการทำงานหากเครื่องหรือแบตเตอรี่อยู่ในสภาวะการทำงานใดๆ ต่อไปนี้

การป้องกันโอเวอร์โหลด

เมื่อเครื่องมือ/แบตเตอรี่ถูกใช้งานในลักษณะที่ทำให้เกิดการดึงกระแสไฟฟ้าสูงผิดปกติ เครื่องจะหยุดทำงานโดยอัตโนมัติและไฟแสดงสถานะจะสว่างเป็นสีแดง ในกรณีเช่นนี้ ให้ปิดเครื่องและหยุดการใช้งานที่ทำให้เครื่องทำงานหนักเกินไป จากนั้นเปิดเครื่องเพื่อเริ่มการทำงานอีกครั้ง

การป้องกันความร้อนสูงเกิน

เมื่อเครื่องเกิดความร้อนสูงเกินไป เครื่องจะหยุดทำงานโดยอัตโนมัติและไฟแสดงสถานะจะสว่างเป็นสีแดง ปลดปล่อยให้เครื่องเย็นลงก่อนที่จะเปิดเครื่องอีกครั้ง

การป้องกันไฟหมด

เมื่อความจุแบตเตอรี่เหลือน้อย ไฟแสดงสถานะจะกะพริบเป็นสีแดง หากใช้งานต่อ เครื่องจะหยุดทำงานและไฟแสดงสถานะจะสว่างเป็นสีแดง ในกรณีนี้ ให้ชาร์จตัวแบตเตอรี่

▶ **หมายเลข 5:** 1. ไฟแสดงสถานะ

การป้องกันจากสาเหตุอื่นๆ

ระบบป้องกันยังได้รับการออกแบบสำหรับสาเหตุอื่นๆ ที่อาจทำให้เครื่องเสียหายและช่วยให้เครื่องหยุดทำงานได้โดยอัตโนมัติ ให้ปฏิบัติตามขั้นตอนต่อไปน้เพื่อแก้ไขสาเหตุเมื่อเครื่องหยุดชะงักชั่วคราวหรือหยุดทำงาน

1. ปิดเครื่องแล้วเปิดใหม่เพื่อเริ่มใช้งานอีกครั้ง
2. ชาร์จหรือเปลี่ยนแบตเตอรี่โดยนำแบตเตอรี่ที่ชาร์จแล้วมาใช้แทน
3. ปลดปล่อยเครื่องและแบตเตอรี่เย็นลง

หากอาการไม่ดีขึ้นเมื่อเปิดระบบป้องกันอีกครั้ง ให้ติดต่อศูนย์บริการ Makita ใกล้บ้านคุณ

หมายเหตุ: ระยะเวลาที่ดวงไฟจะสว่างขึ้นนั้นขึ้นอยู่กับอุณหภูมิของสถานที่ทำงานและสภาพของตัวแบตเตอรี่

ระบบไฟฟ้า

- เบรกไฟฟ้า
เครื่องมือนี้เบรกไฟฟ้า
หากเครื่องมือไม่หยุดทำงานอย่างรวดเร็วอย่างต่อเนื่องหลังจากปล่อยคันสวิตช์แล้ว ให้นำเครื่องมือไปรับการซ่อมที่ศูนย์บริการของ Makita
- ขอพต์สตาร์ท
เมื่อเปิดสวิตช์ มอเตอร์จะเริ่มหมุนอย่างราบรื่นโดยจะถอยหลังเล็กน้อย

การประกอบ

⚠ ข้อควรระวัง: ตรวจสอบให้แน่ใจทุกครั้งว่าถอดตัวแบตเตอรี่ออกแล้วก่อนดำเนินการใดๆ กับเครื่องมือ การไม่ถอดตัวแบตเตอรี่ออกอาจจะเป็นสาเหตุของการบาดเจ็บร้ายแรงเนื่องจากการเริ่มทำงานโดยไม่ตั้งใจได้

การยกมือจับ

เลื่อนก้านล็อกของอินเข้าด้านในแล้วมือจับด้วยมืออีกข้างขึ้นจนกระทั่งหยุด

▶ **หมายเลข 6:** 1. ก้านล็อก 2. มือจับ

▶ **หมายเลข 7**

การยึดมือจับออก

เปิดก้านล็อกที่อยู่ทั้งสองข้างของมือจับ จากนั้นยึดมือจับโดยการดึงออก ปิดก้านล็อกที่ตำแหน่งความสูงที่ต้องการ

▶ **หมายเลข 8:** 1. ก้านล็อก

การติดตั้งตะกร้าเก็บหญ้า

เกี่ยวตะกร้าเก็บหญ้าไว้ที่ด้านหลังของเครื่อง

▶ **หมายเลข 9:** 1. ตะกร้าเก็บหญ้า 2. โครง

ข้อสังเกต: ตรวจสอบให้แน่ใจว่าได้ติดตั้งตะกร้าเก็บหญ้าในตำแหน่งที่ถูกต้องโดยติดตั้งโครงของตะกร้าเก็บหญ้าในร่องของเครื่อง

▶ **หมายเลข 10**

การใส่หรือการถอดตัล็บแบตเตอรี่

⚠ ข้อควรระวัง: ปิดสวิตช์เครื่องก่อนทำการติดตั้งหรือการถอดตัล็บแบตเตอรี่เสมอ

⚠ ข้อควรระวัง: อย่าใส่หรือถอดตัล็บแบตเตอรี่ด้วยมือที่เปียก ไม่เช่นนั้นอาจเกิดไฟช็อตได้

⚠ ข้อควรระวัง: ถือเครื่องและตัล็บแบตเตอรี่ให้แน่นขณะใส่หรือถอดตัล็บแบตเตอรี่ หากไม่ถือเครื่องและตัล็บแบตเตอรี่ให้แน่นอาจทำให้เครื่องและแบตเตอรี่ลื่นหลุดออกจากมือของคุณ ซึ่งส่งผลให้เครื่องและตัล็บแบตเตอรี่เสียหาย รวมถึงทำให้ได้รับบาดเจ็บได้

⚠ ข้อควรระวัง: ตรวจสอบให้แน่ใจว่าคุณล็อกฝาครอบแบตเตอรี่ก่อนใช้งาน มิฉะนั้น โคลน ฝุ่น หรือน้ำอาจทำให้เกิดความเสียหายต่อผลิตภัณฑ์หรือตัล็บแบตเตอรี่ได้

⚠ ข้อควรระวัง: ติดตั้งตัล็บแบตเตอรี่เข้าจนสุดเสมอ ไม่เช่นนั้นตัล็บแบตเตอรี่อาจหลุดออกจากเครื่องมือโดยไม่ได้ตั้งใจ ทำให้คุณหรือคนรอบข้างได้รับบาดเจ็บ

⚠ ข้อควรระวัง: อย่าฝืนติดตั้งตัล็บแบตเตอรี่โดยใช้แรงมากเกินไป หากตัล็บแบตเตอรี่ไม่เลื่อนเข้าไปโดยง่าย แสดงว่าใส่ไม่ถูกต้อง

⚠ ข้อควรระวัง: ระวังอย่าให้หนีบนิ้วขณะเปิดหรือปิดฝาครอบแบตเตอรี่

หากต้องการติดตั้งตัล็บแบตเตอรี่

1. เปิดฝาครอบแบตเตอรี่
2. จัดตำแหน่งลิ้นบนตัล็บแบตเตอรี่ให้ตรงกับช่องบนเครื่องตัดหญ้า จากนั้นเลื่อนตัล็บแบตเตอรี่จนล็อกเข้าที่โดยจะได้ยินเสียงคลิกเบาๆ
3. ปิดฝาครอบแบตเตอรี่และกดจนกว่าจะล็อกเข้ากับขอเกี่ยว

หากต้องการถอดตัล็บแบตเตอรี่ออกจากเครื่องตัดหญ้า

1. เปิดฝาครอบแบตเตอรี่
 2. ดึงตัล็บแบตเตอรี่ออกจากเครื่องตัดหญ้าขณะที่เลื่อนปุ่มที่ด้านหน้าของตัล็บขึ้น จากนั้นปิดฝาครอบแบตเตอรี่
- ▶ **หมายเลข 11:** 1. ฝาครอบแบตเตอรี่ 2. ตัล็บแบตเตอรี่ 3. ปุ่ม

การใช้งาน

การตัดหญ้า

⚠ คำเตือน: ใส่แว่นตานิรภัยหรือแว่นนิรภัยที่มีที่ป้องกันด้านข้างเมื่อใช้งานเครื่องตัดหญ้า

⚠ คำเตือน: ก่อนตัดหญ้า ให้กำจัดท่อนไม้และหินออกจากพื้นที่ตัดหญ้า นอกจากนั้น ให้กำจัดวัชพืชจากพื้นที่ตัดหญ้าก่อน

▶ **หมายเลข 12**

⚠ ข้อควรระวัง: หากหญ้าที่ตัดหรือวัชพืชปลอมหลุดตันอยู่ด้านในของตัวเครื่องตัดหญ้า ให้ตรวจสอบจนแน่ใจว่าได้นำตัล็บแบตเตอรี่ออกแล้ว และสวมถุงมือก่อนนำหญ้าหรือวัชพืชปลอมออก

ข้อสังเกต: ใช้เครื่องมือสำหรับการตัดหญ้าในสนามหญ้าเท่านั้น อย่าตัดวัชพืชด้วยเครื่องมือ

จับมือจับให้แน่นด้วยมือทั้งสองข้างขณะตัดหญ้า

▶ **หมายเลข 13**

มาตรฐานความเร็วของเครื่องตัดหญ้าอยู่ที่ประมาณ 2 ถึง 4 วินาทีต่อ 1 เมตร

▶ **หมายเลข 14**

ฉลากที่ติดอยู่บนทั้งสองด้านที่ด้านหน้าเครื่องมือเป็นแนวทางสำหรับความกว้างในการตัดหญ้า ใช้ฉลากเป็นแนวทาง ตัดเป็นแถว ให้ตัดเหลือมครึ่งหนึ่งหรือหนึ่งในสามของแถวที่ตัดก่อนหน้าจะทำให้ตัดหญ้าในสนามได้เท่ากัน

▶ **หมายเลข 15:** 1. ความกว้างในการตัดหญ้า 2. พื้นที่เหลือม 3. สัญลักษณ์ความกว้างในการตัดหญ้า

เปลี่ยนทิศทางการตัดหญ้าทุกครั้งที่ตัดเพื่อป้องกันไม่ให้สายหญ้ามีรูปแบบแคบทิศทางเดียว

▶ **หมายเลข 16:** 1. ครั้งแรก 2. ครั้งที่สอง 3. ครั้งที่สาม

ตรวจสอบหญ้าที่ตัดได้ในตะกร้าเก็บหญ้าเป็นระยะ เทหญ้าออกจากตะกร้าก่อนตะกร้าเต็ม ก่อนการตรวจเช็คแต่ละระยะ ให้ตรวจสอบให้แน่ใจว่าได้หยุดการทำงานของเครื่องแล้ว

หมายเหตุ: การใช้เครื่องตัดหญ้าที่ตะกร้าเก็บหญ้าเต็มจะทำให้ใบมีดเครื่องตัดหญ้าหมุนได้ไม่ราบรื่น และการวางสิ่งของที่มีน้ำหนักมากบนมอเตอร์อาจทำให้เครื่องเสียได้

การตัดสนามหยุ่ที่ยาว

อย่าพยายามตัดหยุ่ที่ยาวภายในครั้งเดียว แต่ควรตัดหยุ่หลายๆ ครั้งแทน เว้นระยะเวลาไว้หนึ่งหรือสองวันระหว่างการตัดแต่ละครั้งจนกว่าหยุ่ในสนามจะสั้นเท่ากัน

▶ หมายเลข 17

หมายเหตุ: การตัดหยุ่ยาวให้สั้นทั้งหมดภายในครั้งเดียว อาจทำให้หยุ่ตายได้ หยุ่ที่ถูกตัดไปแล้วอาจอดต้นอยู่ในเครื่องตัดหยุ่

การเคลื่อนย้ายและการจัดเก็บ

⚠ ข้อควรระวัง: ระวังอย่าให้นิ้วติดในขณะที่ทำการพับมือจับลง

⚠ ข้อควรระวัง: ตรวจสอบให้แน่ใจว่ามีมือจับถูกยึดในสตัดอปเปอร์อย่างเหมาะสมแล้ว

การถือ

⚠ ข้อควรระวัง: เมื่อถือเครื่องตัดหยุ่ ตรวจสอบให้แน่ใจว่ามีมือจับยึดอยู่ด้านนอกและอยู่ห่างจากร่างกายคุณ

การถือเครื่องตัดหยุ่ ให้จับที่มือจับ แล้วถือเครื่องตามที่แสดงในภาพ

▶ หมายเลข 18: 1. ใบมีดเครื่องตัดหยุ่

การจัดเก็บ

ถอดตะกร้าเก็บหยุ่ออก จากนั้นกดมือจับให้สั้นลง (อ้างอิง “การประกอบ”)

พับมือจับลงจนกระทั่งมือจับอยู่ในตำแหน่งด้วยสตัดอปเปอร์วางเครื่องและแขนตะกร้าเก็บหยุ่ตามที่แสดงในภาพ

▶ หมายเลข 19: 1. สตัดอปเปอร์

การเก็บเข็มลีดและประแจหกเหลี่ยม

สามารถเก็บเข็มลีดและประแจหกเหลี่ยมไว้ในภาครอบใบมีดเตอรีได้

เมื่อไม่ใช้งาน ให้เก็บเข็มลีดและประแจหกเหลี่ยมไว้เพื่อป้องกันการสูญหาย

▶ หมายเลข 20: 1. เข็มลีด 2. ประแจหกเหลี่ยม

การบำรุงรักษา

⚠ คำเตือน: ก่อนทำการบำรุงรักษา ให้ถอดดลับแบตเตอรี่ออกจากเครื่องมือ แล้วตรวจสอบว่ามีมีดเครื่องตัดหยุ่หยุดนิ่งแล้ว

⚠ ข้อควรระวัง: เมื่อทำการบำรุงรักษา ให้สวมถุงมือเสมอ

เพื่อความปลอดภัยและน่าเชื่อถือของผลิตภัณฑ์ ควรให้ศูนย์บริการหรือโรงงานที่ผ่านการรับรองจาก Makita เป็นผู้ดำเนินการซ่อมแซม บำรุงรักษาและทำการปรับตั้งอื่นๆ นอกจากนี้ให้ใช้อะไหล่ของแท้จาก Makita เสมอ

การบำรุงรักษาหลังการตัดหยุ่

หลังตัดหยุ่ ให้เช็ดเครื่องด้วยผ้าแห้งหรือผ้าชุบน้ำสบู่ นอกจากนี้ ให้ใช้แปรงขนนุ่มในการขัดหยุ่และสิ่งสกปรกออกจากใบมีดเครื่องตัดหยุ่

⚠ ข้อควรระวัง: อย่าฉีดพ่นหรือเทน้ำลงบนเครื่องมือ เมื่อทำความสะอาด อย่าล้างด้วยสายยาง หลีกเลี่ยงการทำให้น้ำเข้ามอเตอร์และจุดเชื่อมต่อไฟฟ้าต่างๆ

ข้อสังเกต: อย่าใช้น้ำมันเชื้อเพลิง เบนซิน ทินเนอร์ แอลกอฮอล์ หรือวัสดุประเภทเดียวกัน เนื่องจากอาจทำให้ลีสซิดาง เสียรูป หรือแตกร้าวได้

การเปลี่ยนใบมีดเครื่องตัดหยุ่

⚠ ข้อควรระวัง: อย่าใช้ประแจอื่นนอกเหนือจากประแจหกเหลี่ยมมาตรฐานเมื่อทำการเปลี่ยนใบมีดเครื่องตัดหยุ่ การใช้ประแจอื่นอาจทำให้ชิ้นแน่นเกินไปหรือหลวมเกินไปซึ่งอาจเป็นสาเหตุให้ได้รับบาดเจ็บได้

1. ถอดดลับแบตเตอรี่ออกจากเครื่องตัดหยุ่ เก็บไว้ในที่ที่ปลอดภัย ห่างจากมือเด็ก

2. พับมือจับลงแล้วหงายเครื่องมือขึ้น

▶ หมายเลข 21

3. ใส่เข็มลีดผ่านรูในแผ่นด้านล่าง แล้วใส่ลงในรูในตัวเครื่องหลัก

▶ หมายเลข 22: 1. แผ่นด้านล่าง 2. เข็มลีด 3. รู

4. ใช้ประแจหกเหลี่ยมเพื่อคลายสลักเกลียวหกเหลี่ยม

▶ หมายเลข 23: 1. สลักเกลียวหกเหลี่ยม 2. เข็มลีด 3. ประแจหกเหลี่ยม

5. คลายสลักเกลียวหกเหลี่ยมสองตัวที่ยึดแผ่นด้านล่าง แล้วถอดแผ่นด้านล่างออก

▶ **หมายเลข 24:** 1. แผ่นด้านล่าง 2. สลักเกลียวหกเหลี่ยม

6. ถอดสลักเกลียวหกเหลี่ยม แกนตัวนอก และใบมีดเครื่องตัดหญ้าออก

▶ **หมายเลข 25:** 1. สลักเกลียวหกเหลี่ยม 2. แกนตัวนอก 3. ใบมีดเครื่องตัดหญ้า

7. วางใบมีดเครื่องตัดหญ้าใบใหม่ แกนตัวนอก และสลักเกลียวหกเหลี่ยม จากนั้นขันสลักเกลียวหกเหลี่ยมไว้ชั่วคราว ตรวจสอบให้แน่ใจว่าลูกศรบนแผ่นด้านล่างและลูกศรบนใบมีดเครื่องตัดหญ้าชี้ไปในทิศทางเดียวกัน

▶ **หมายเลข 26:** 1. สลักเกลียวหกเหลี่ยม 2. แกนตัวนอก 3. ใบมีดเครื่องตัดหญ้า

8. ติดตั้งแผ่นด้านล่างตามลำดับตามที่แสดงในภาพ จากนั้นขันให้แน่นด้วยสลักเกลียวหกเหลี่ยมสองตัว

▶ **หมายเลข 27:** 1. รอยบาก 2. แผ่นด้านล่าง 3. สลักเกลียวหกเหลี่ยม

⚠ ข้อควรระวัง: ตรวจสอบให้แน่ใจว่าใส่แผ่นด้านล่างในเครื่องมือลงล็อกดีแล้ว โดยให้ส่วนที่ยื่นออกมาบนเครื่องมือสอดเข้าไปในรอยบากของแผ่นด้านล่างจนสุด ไม่เช่นนั้นอาจส่งผลให้เกิดการบาดเจ็บเพราะแผ่นด้านล่างอาจหลุดออกเนื่องจากสลักเกลียวหกเหลี่ยมไม่อยู่ในตำแหน่งที่ถูกต้อง

9. ใส่เข็มลิ้อคลงในรูบนแผ่นด้านล่าง จากนั้นขันสลักเกลียวหกเหลี่ยมให้แน่นโดยใช้ประแจหกเหลี่ยมเพื่อยึดใบมีดเครื่องตัดหญ้า

▶ **หมายเลข 28:** 1. สลักเกลียวหกเหลี่ยม 2. เข็มลิ้อค 3. ประแจหกเหลี่ยม

อุปกรณ์เสริม

⚠ ข้อควรระวัง: ขอแนะนำให้ใช้เฉพาะอุปกรณ์เสริมหรืออุปกรณ์ต่อพ่วงเหล่านี้กับเครื่องมือ Makita ที่ระบุในคู่มือการใช้งานใช้อุปกรณ์เสริมหรืออุปกรณ์ต่อพ่วงอื่นๆ อาจมีความเสี่ยงที่จะได้รับบาดเจ็บ ใช้อุปกรณ์เสริมหรืออุปกรณ์ต่อพ่วงตามวัตถุประสงค์ที่ระบุไว้เท่านั้น

หากต้องการทราบรายละเอียดเพิ่มเติมเกี่ยวกับอุปกรณ์เสริมเหล่านี้ โปรดสอบถามศูนย์บริการ Makita ใกล้บ้านคุณ

- ใบมีดเครื่องตัดหญ้า

- แบตเตอรี่และเครื่องชาร์จ Makita ของแท้

หมายเหตุ: อุปกรณ์บางรายการอาจจะรวมอยู่ในชุดเครื่องมือเป็นอุปกรณ์มาตรฐาน ซึ่งอาจแตกต่างกันไปในแต่ละประเทศ

Makita Corporation
3-11-8, Sumiyoshi-cho,
Anjo, Aichi 446-8502 Japan
www.makita.com

885940-378
EN, ZHCN, ID, MS,
VI, TH
20211115