



VN	VIETNAM
----	---------

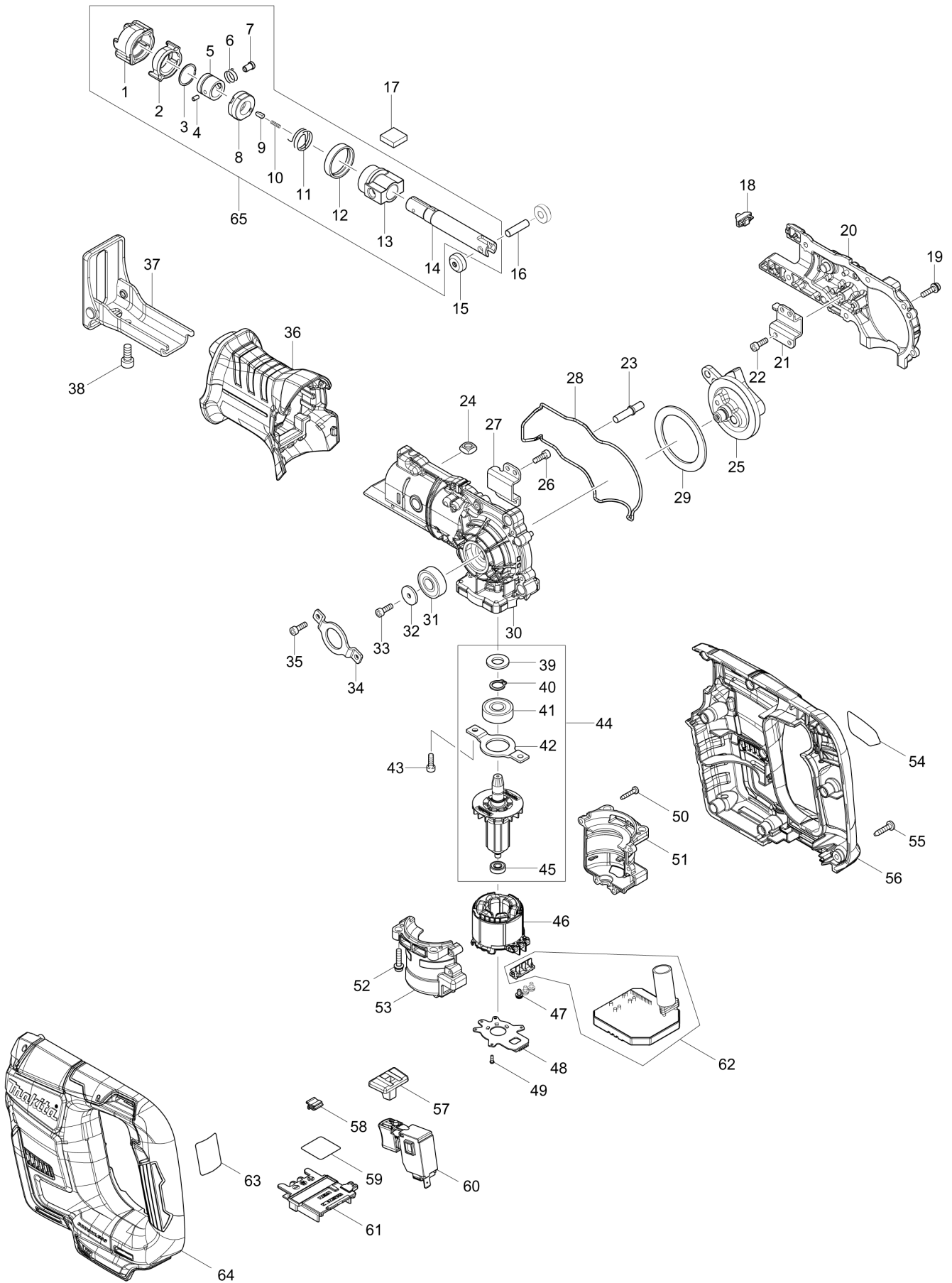
# Diagram / Parts List

**DJR188**

**CORDLESS RECIPRO SAW**



(VN) DJR188 / CORDLESS RECIPRO SAW



<b>VN</b>	<b>VIETNAM</b>
-----------	----------------

### DJR188 / CORDLESS RECIPRO SAW

Item	Sub	Parts No.	Parts Description	Qty	I/C	E/C No.	Close No.	Remark
001		422223-4	PROTECTOR	1				
002		310848-5	DRIVING SLEEVE	1				
003		257952-8	RETAINING RING (EXT) 18	1			C8033	
003-1		257430-8	RETAINING RING(EXT)18	1	S	C8033		
004		268094-3	PIN 3	1				
005		331720-8	GUIDE SLEEVE	1			C8033	
005-1		327043-0	GUIDE SLEEVE	1	S	C8033		
006		234381-2	COMPRESSION SPRING 6	1				
007		256569-4	SHOULDER PIN 5	1				
008		458113-5	CONNECTING SLEEVE	1			C4734	
008-1		458968-8	CONNECTING SLEEVE	1	O	C4734		
009		310859-0	PUSH PIN	1			C5468	
009-1		310912-2	PUSH PIN	1	S	C5468		
010		233025-1	COMPRESSION SPRING 2	1			C5468	
010-1		232472-3	COMPRESSION SPRING 2	1	S	C5468		
011		233594-2	TORSION SPRING 17	1				
012		424762-0	RUBBER RING	1				
013		144012-4	SLIDER GUIDE COMPLETE	1				
	C10	213151-2	OIL SEAL 14	1				
	C20	213174-0	X RING 14	1				
014		161796-9	SLIDER	1				
015		310663-7	ROLLER	2				
016		268341-2	PIN 6	1				
017		424902-0	FELT 16X16	1				
018		620434-7	LED CIRCUIT	1				
019		911128-8	P.H.SCREW M4X16 WITH WR	6				
020		144809-1	GEAR HOUSING R COMPLETE	1				
021		347303-4	ROD GUIDE R	1				
022		265353-6	HEX. SOCKET HEAD BOLT M4X12	2				
023		256567-8	SHOULDER PIN 6-8	1				
024		252157-5	SQUARE NUT M6	1				
025		144806-7	GEAR COMPLETE	1				
026		265353-6	HEX. SOCKET HEAD BOLT M4X12	2				
027		347302-6	ROD GUIDE L	1				
028		422224-2	SEAL RING	1				
029		267336-2	FLAT WASHER 45	1				
030		144808-3	GEAR HOUSING L COMPLETE	1				
	C10	213445-5	O-RING 26	1				
031		210059-1	BALL BEARING 6000DDW	1				
032		253400-5	FLAT WASHER 4	1				
033		265353-6	HEX. SOCKET HEAD BOLT M4X12	1				
034		285031-2	BEARING RETAINER 51	1				
035		265353-6	HEX. SOCKET HEAD BOLT M4X12	2				
036		422221-8	INSULATION COVER	1				
037		161795-1	SHOE	1				
038		265531-8	HEX.SOCKET HEAD BOLT M6X14	1				
039		422225-0	FELT RING 10	1				
040		961006-2	RETAINING RING S-10	1				
041		210059-1	BALL BEARING 6000DDW	1				
042		285032-0	BEARING RETAINER 55	1				
043		265353-6	HEX. SOCKET HEAD BOLT M4X12	2				
044		519457-9	ROTOR ASS'Y	1				
	D10		INC. 39-42,45					
045		210039-7	BALL BEARING 695DDW	1				
046		629292-8	STATOR	1				
047		652069-6	FLAT HEAD SCREW M3X6	3				
048		620760-4	CONTROLLER B	1				
049		266490-9	TAPPING SCREW PT 2X6	3				
050		266429-2	TAPPING SCREW 3X16	5				
051		183H44-4	MOTOR HOUSING SET	1				
	D10		INC. 53					
052		911531-3	P.H.SCREW M4X18 WITH WRM	4				
053		183H44-4	MOTOR HOUSING SET	1				
	D10		INC. 51					
054		853U83-3	DJR188 NAME PLATE	1				

B:DJR188RFJ(H)  
C:DJR188RTJ(H)  
D:DJR188RMJ(H)

Interchange  
O : Yes  
X : No  
< : the new part can be substituted for the current.  
> : the current part can be substituted for the new.  
S : Interchangeable as a set.

