



VN	VIETNAM
----	---------

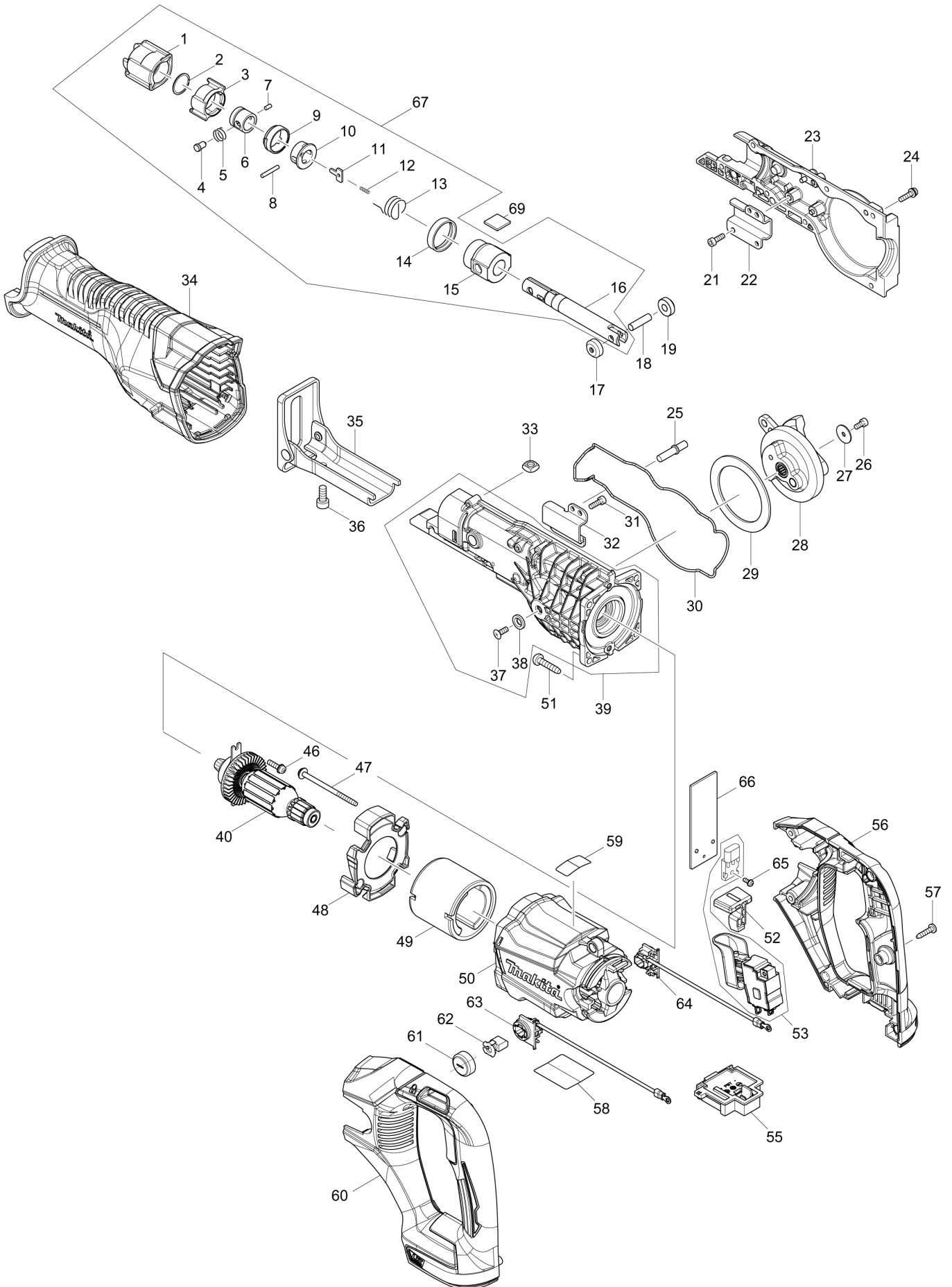
# Diagram / Parts List

**DJR186**

**CORDLESS RECIPRO SAW**



(VN) DJR186 / CORDLESS RECIPRO SAW



<b>VN</b>	<b>VIETNAM</b>
-----------	----------------

### DJR186 / CORDLESS RECIPRO SAW

Item	Sub	Parts No.	Parts Description	Qty	I/C	E/C No.	Close No.	Remark
001		424763-8	PROTECTOR	1				
002		257952-8	RETAINING RING (EXT) 18	1			C8033	
002-1		257430-8	RETAINING RING(EXT)18	1	S	C8033		
003		310662-9	DRIVING SLEEVE	1				
004		256569-4	SHOULDER PIN 5	1				
005		234381-2	COMPRESSION SPRING 6	1				
006		331720-8	GUIDE SLEEVE	1			C8033	
006-1		327043-0	GUIDE SLEEVE	1	S	C8033		
007		268094-3	PIN 3	1				
008		256158-5	PIN 3	1				
009		417791-0	DRIVING SLEEVE GUIDE	1				
010		418311-3	SLEEVE	1				
011		345214-7	PUSH PLATE	1				
012		233025-1	COMPRESSION SPRING 2	1				
013		231687-9	TORSION SPRING 17	1				
014		424762-0	RUBBER RING	1				
015		143365-8	SLIDER GUIDE COMPLETE	1				
	C10	213151-2	OIL SEAL 14	1				
	C20	213174-0	X RING 14	1				
016		161376-1	SLIDER	1				
017		310663-7	ROLLER	1				
018		268341-2	PIN 6	1				
019		310663-7	ROLLER	1				
021		922117-8	HEX. SOCKET HEAD BOLT M4X12	2			B7611	
021-1		265353-6	HEX. SOCKET HEAD BOLT M4X12	2	<	B7611		
022		346936-2	ROD GUIDE R	1				
023		143381-0	GEAR HOUSING R COMPLETE	1				
024		911128-8	P.H.SCREW M4X16 WITH WR	7				
025		256567-8	SHOULDER PIN 6-8	1				
026		922107-1	HEX. SOCKET HEAD BOLT M4X8	1			B7611	
026-1		265911-8	HEX. SOCKET HEAD BOLT M4X8	1	<	B7611		
027		267491-0	FLAT WASHER 4	1				
028		143377-1	GEAR COMPLETE	1				
029		267490-2	FLAT WASHER 54	1				
030		424764-6	SEAL RING	1				
031		922117-8	HEX. SOCKET HEAD BOLT M4X12	2			B7611	
031-1		265353-6	HEX. SOCKET HEAD BOLT M4X12	2	<	B7611		
032		346935-4	ROD GUIDE L	1				
033		252157-5	SQUARE NUT M6	1				
034		424768-8	INSULATION COVER	1				
035		161375-3	SHOE	1			C1877	
035-1		161810-1	SHOE	1	O	C1877		
036		265531-8	HEX.SOCKET HEAD BOLT M6X14	1				
037		912112-6	COUNTERSUNK HEAD SCREW M4X10	1			B7611	
037-1		265135-6	+ COUNTERSUNK HEAD SCREW M4X10	1	<	B7611		
038		253825-3	FLAT WASHER 6	1				
039		123511-9	GEAR HOUSING L ASSEMBLY	1			B7611	
	D10		INC. 37,38				B7611	
039-1		126678-2	GEAR HOUSING L ASSEMBLY	1	<	B7611		
	D10		INC. 37,38				B7611	
040		519392-1	ARMATURE ASS'Y 18V	1				
	C10	961055-9	RETAINING RING S-15	1		Y07339		
	C20	211247-3	BALL BEARING 6002DDW	1		Y07339		
	C30	227650-8	SPIRAL BEVEL GEAR 7	1		Y07339		
	C40	285740-3	BEARING RETAINER 66	1		Y07339		
	C50	210062-2	BALL BEARING 607ZZ	1		Y07339		
	D10		INC. 41-45				Y07339	
041		961055-9	RETAINING RING S-15	1			Y07339	
042		211247-3	BALL BEARING 6002DDW	1			Y07339	
043		227650-8	SPIRAL BEVEL GEAR 7	1			Y07339	
044		285740-3	BEARING RETAINER 66	1			Y07339	
045		210062-2	BALL BEARING 607ZZ	1			Y07339	
046		911128-8	P.H.SCREW M4X16 WITH WR	2				
047		266292-3	TAPPING SCREW 4X65	2				
048		456207-0	BAFFLE PLATE	1				

B:DJR186RME(H)  
C:DJR186RFE(H)  
D:DJR186RTE(H)

Interchange  
O : Yes  
X : No  
< : the new part can be substituted for the current.  
> : the current part can be substituted for the new.  
S : Interchangeable as a set.

<b>VN</b>	<b>VIETNAM</b>
-----------	----------------

### DJR186 / CORDLESS RECIPRO SAW

Item	Sub	Parts No.	Parts Description	Qty	I/C	E/C No.	Close No.	Remark
049		638571-3	YOKE UNIT	1				
050		456206-2	MOTOR HOUSING	1				
051		266041-8	TAPPING SCREW 5X25	4				
052		456208-8	LOCK OFF BUTTON	1				
053		650760-0	SWITCH TG573FSB-9V	1			B3201	
053-1		650760-0	SWITCH TG573FSB-9V	1	O	B3201		
055		644808-8	TERMINAL	1			B4531	
055-1		644809-6	TERMINAL	1	S	B4531		
056		183C48-6	HANDLE SET	1			B4531	
	C10	263005-3	RUBBER PIN 6	2			B4531	
	D10		INC. 60				B4531	
056-1		183C49-4	HANDLE SET	1	S	B4531		
	C10	263005-3	RUBBER PIN 6	2		B4531		
	D10		INC. 60			B4531		
057		266326-2	TAPPING SCREW 4X18	6				
058		851R04-1	DJR186 NAME PLATE	1				
060		183C48-6	HANDLE SET	1			B4531	
	C10	263005-3	RUBBER PIN 6	2			B4531	
	D10		INC. 56				B4531	
060-1		183C49-4	HANDLE SET	1	S	B4531		
	C10	263005-3	RUBBER PIN 6	2		B4531		
	D10		INC. 56			B4531		
061		643829-7	HOLDER CAP	2				
062		195022-4	CARBON BRUSH SET CB-441	1				
063		643505-3	BRUSH HOLDER	1				
064		643506-1	BRUSH HOLDER	1				
065		911011-9	PAN HEAD SCREW M3X10	1				
066		689204-3	HEAT SINK	1				
067		123510-1	SLIDER ASSEMBLY	1			C8033	
	D10		INC. 1-16				C8033	
067-1		127397-3	SLIDER ASSEMBLY	1	<	C8033		
	D10		INC. 1-16			C8033		
069		424858-7	FELT 16X16	1				
A01		B-05169	RECIPROSAWBLADE FOR METAL	1				
A02		B-05175	RECIPROSAWBLADE FOR WOOD	1				
A03B		821620-5	PLASTIC CARRYING CASE	1				
	C10	162271-8	LATCH	2				
A03C		821620-5	PLASTIC CARRYING CASE	1				
	C10	162271-8	LATCH	2				
A03D		821620-5	PLASTIC CARRYING CASE	1				
	C10	162271-8	LATCH	2				
A04B		808A63-4	DJR186RME PLASTIC CASE LABEL	2				
A04C		808A69-2	DJR186RFE PLASTIC CASE LABEL	2				
A04D		808A74-9	DJR186RTE PLASTIC CASE LABEL	2				
A05B		450128-8	BATTERY COVER	1				
A05C		450128-8	BATTERY COVER	1				
A05D		450128-8	BATTERY COVER	1				
A06B		***DC18RC	DC18RC FAST CHARGER	1				
	D10		COMPO-PARTS					
A06C		***DC18RC	DC18RC FAST CHARGER	1				
	D10		COMPO-PARTS					
A06D		***DC18RC	DC18RC FAST CHARGER	1				
	D10		COMPO-PARTS					
A07B		197265-4	BATTERY BL1840B SET	2			C5218	
A07C		194204-5	BATTERY BL1830 SET	2			B2535	
A07D		197280-8	BATTERY BL1850B SET	2			C5219	
A07-1B		197265-4	BATTERY BL1840B SET	2	O	C5218		
A07-1C		197600-6	BATTERY BL1830B SET	2	<	B2535	C4176	
A07-1D		197280-8	BATTERY BL1850B SET	2	O	C5219		
A07-2C		197600-6	BATTERY BL1830B SET	2	O	C4176		

B:DJR186RME(H)  
C:DJR186RFE(H)  
D:DJR186RTE(H)

Interchange  
O : Yes  
X : No  
< : the new part can be substituted for the current.  
> : the current part can be substituted for the new.  
S : Interchangeable as a set.