



VN	VIETNAM
----	---------

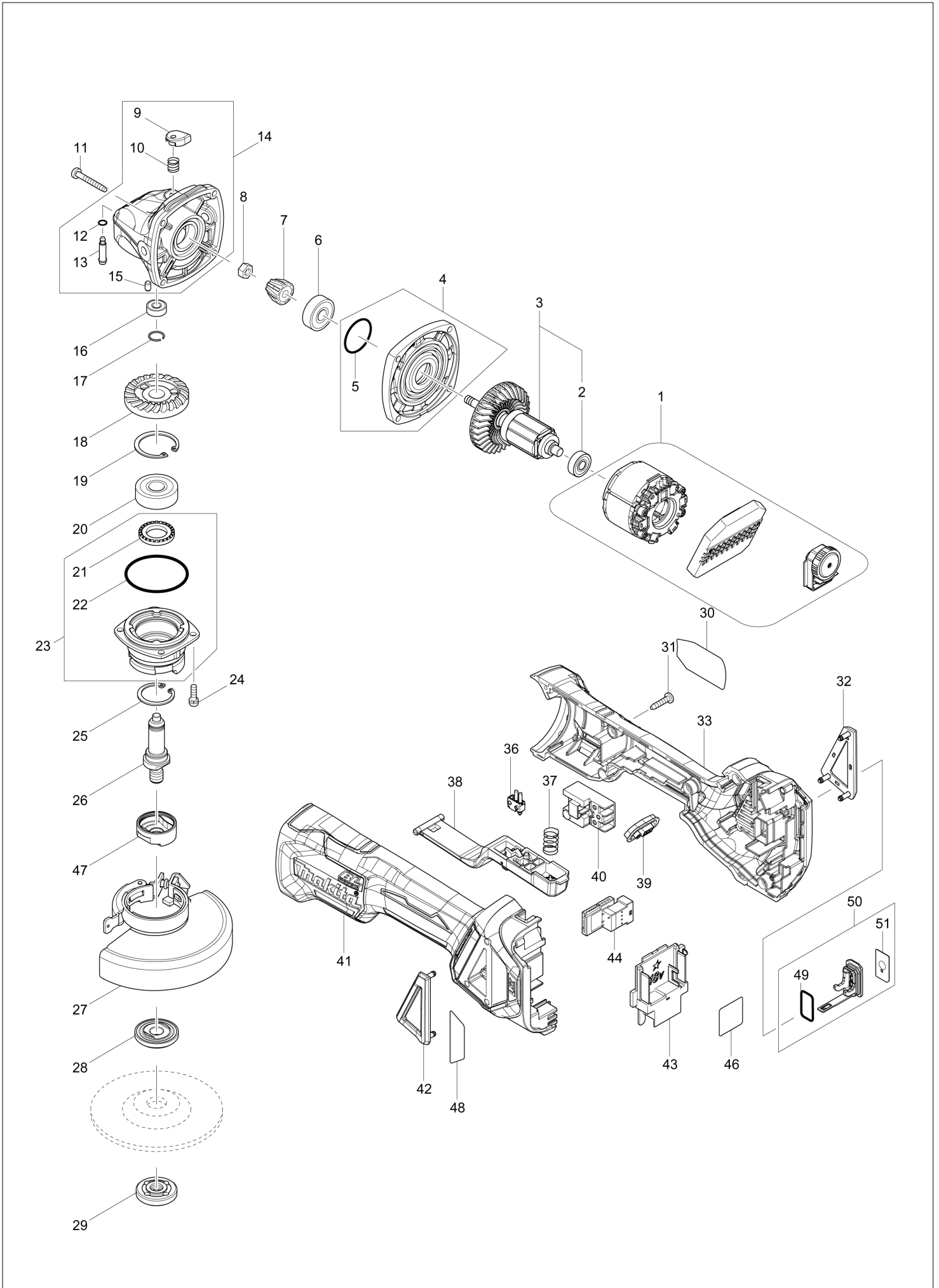
# Diagram / Parts List

**DGA418**

**100MM CORDLESS ANGLE GRINDER**



# (VN) DGA418 / 100MM CORDLESS ANGLE GRINDER



<b>VN</b>	<b>VIETNAM</b>
-----------	----------------

### DGA418 / 100MM CORDLESS ANGLE GRINDER

Item	Sub	Parts No.	Parts Description	Qty	I/C	E/C No.	Close No.	Remark
001		629305-5	STATOR COMPLETE	1				
002		210169-4	BALL BEARING 607LLB	1				
003		510329-1	ROTOR ASS'Y	1				
	D10		INC. 2					
004		135930-7	GEAR HOUSING COVER ASSEMBLY	1				
	D10		INC. 5					
005		213445-5	O-RING 26	1				
006		210042-8	BALL BEARING 629LLB	1				
007A		227541-3	SPIRAL BEVEL GEAR 10	1			C3594	
007B		227541-3	SPIRAL BEVEL GEAR 10	1			C3594	
007-1A		226861-2	SPIRAL BEVEL GEAR 10	1	S	C3594		
007-1B		226861-2	SPIRAL BEVEL GEAR 10	1	S	C3594		
007-1C		226861-2	SPIRAL BEVEL GEAR 10	1				
008		252186-8	HEX. NUT M6	1				
009		417771-6	PIN CAP	1				
010		233072-2	COMPRESSION SPRING 8	1				
011		266361-0	TAPPING SCREW 4X30	4				
012		213960-9	O RING 5	1				
013		256546-6	SHOULDER PIN 4	1				
014		135929-2	GEAR HOUSING ASSEMBLY	1				
	D10		INC. 9,10,12,13,15					
015		263002-9	RUBBER PIN 4	1				
016		210033-9	BALL BEARING 696ZZ	1				
017		233950-6	RING SPRING 11	1				
018A		227641-9	SPIRAL BEVEL GEAR 37	1			C3594	
018B		227641-9	SPIRAL BEVEL GEAR 37	1			C3594	
018-1A		226862-0	SPIRAL BEVEL GEAR 37	1	S	C3594		
018-1B		226862-0	SPIRAL BEVEL GEAR 37	1	S	C3594		
018-1C		226862-0	SPIRAL BEVEL GEAR 37	1				
019		962151-6	RETAINING RING R-32	1				
020		211129-9	BALL BEARING 6201DDW	1				
021		262153-5	FELT RING 16	1				
022		213622-9	O RING 45	1				
023		135949-6	BEARING BOX ASSEMBLY	1				
	D10		INC. 21,22					
024		911121-2	PAN HEAD SCREW M4X14	4				
025		962105-3	RETAINING RING R-26	1				
026		326669-5	SPINDLE	1				
027		122893-6	TOOLLESS WHEEL COVER 100K ASSY	1				
	C10	213009-5	O RING 4	1				
	C20	265180-1	PAN HEAD SCREW M5X16	1				
028		224483-2	INNER FLANGE 30	1				
029		224559-5	LOCK NUT 10-30	1				
030		853Y51-0	DGA418 NAME PLATE	1				
031		266326-2	TAPPING SCREW 4X18	5				
032		455450-8	DUST COVER R	1				
033		183H85-0	MOTOR HOUSING SET	1				
	C10	263005-3	RUBBER PIN 6	2				
	D10		INC. 41					
036		632E12-1	SWITCH UNIT	1				
037		234357-9	COMPRESSION SPRING 11	1				
038		142976-6	SWITCH LEVER COMPLETE	1				
039		142901-7	INDICATOR PANEL COMPLETE	1				
040		650734-1	SWITCH TG73BDS-2	1				
041		183H85-0	MOTOR HOUSING SET	1				
	C10	263005-3	RUBBER PIN 6	2				
	D10		INC. 33					
042		455449-3	DUST COVER L	1				
043		643874-2	TERMINAL	1				
044		620752-3	SUB CONTROLLER	1				
046		853Y54-4	DGA418 SERIAL NO. LABEL	1				
047		310516-0	LEAD FLANGE B	1				
048		816D93-9	INDICATION LABEL	1				
049A		213275-4	O RING 18	1			C2104	
049B		213218-6	O RING 16	1			DA223	

A:DGA418ZU(N)  
 B:DGA418Z(N)  
 C:DGA418RTE(H)

Interchange  
 O : Yes  
 X : No  
 < : the new part can be substituted for the current.  
 > : the current part can be substituted for the new.  
 S : Interchangeable as a set.

