



VN	VIETNAM
----	---------

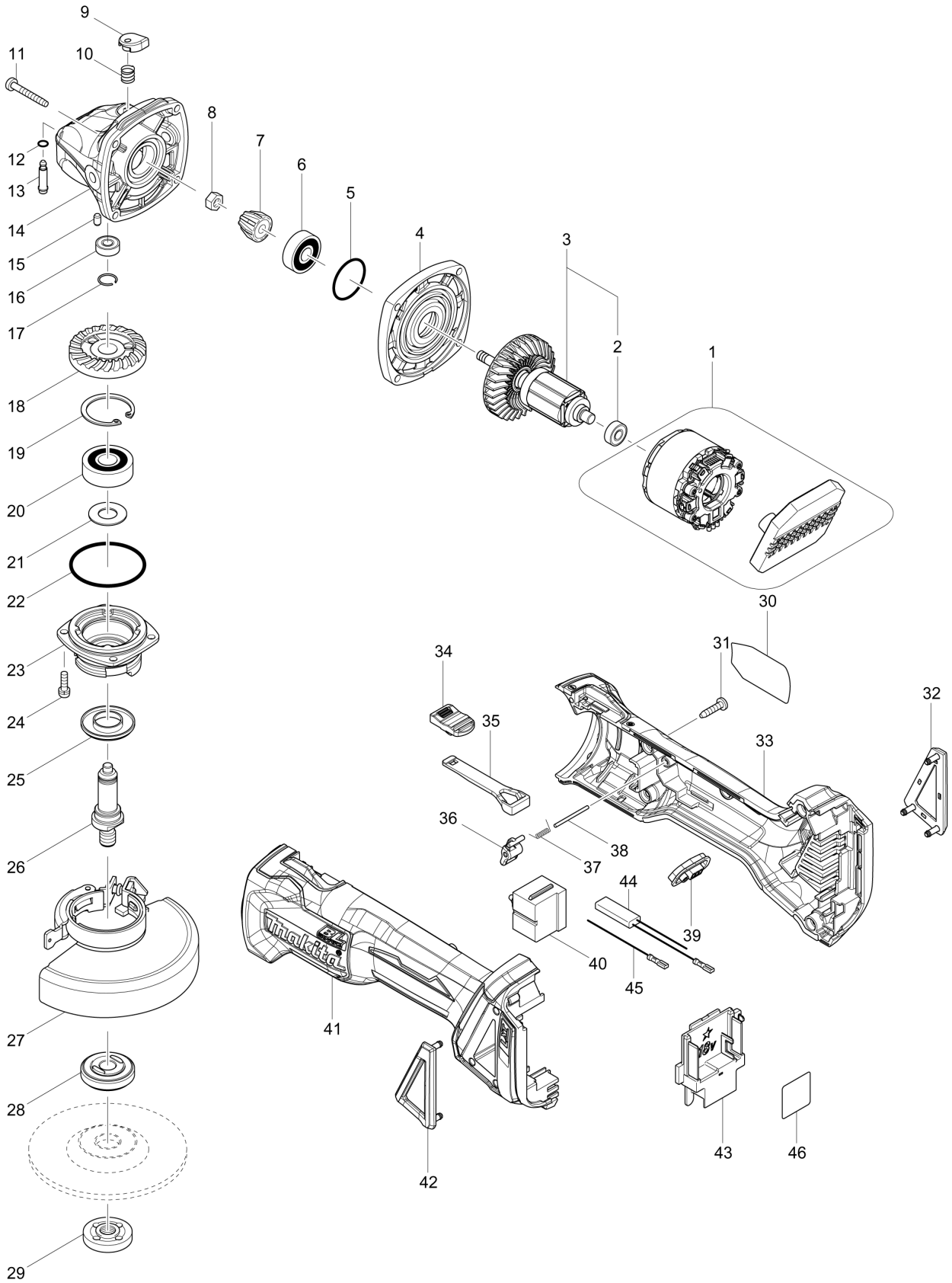
Diagram / Parts List

DGA404

100MM CORDLESS ANGLE GRINDER



(VN) DGA404 / 100MM CORDLESS ANGLE GRINDER



VN	VIETNAM
-----------	----------------

DGA404 / 100MM CORDLESS ANGLE GRINDER

Item	Sub	Parts No.	Parts Description	Qty	I/C	E/C No.	Close No.	Remark
001A		629134-6	STATOR COMPLETE	1			B0251	
001B		629134-6	STATOR COMPLETE	1			B0251	
001C		629134-6	STATOR COMPLETE	1			B0251	
001-1A		629173-6	STATOR COMPLETE	1	S	B0251	B4436	
001-1B		629173-6	STATOR COMPLETE	1	S	B0251	B4436	
001-1C		629173-6	STATOR COMPLETE	1	S	B0251	B4436	
001-1E		629173-6	STATOR COMPLETE	1			B4436	
001-2		629176-0	STATOR COMPLETE	1	O	B4436		
002		210034-7	BALL BEARING 607LLB	1			B6701	
002-1		210169-4	BALL BEARING 607LLB	1	<	B6701		
003A		519354-9	ROTOR ASS'Y	1			B0509	
	D10		INC. 2				B0509	
003B		519354-9	ROTOR ASS'Y	1			B0509	
	D10		INC. 2				B0509	
003C		519354-9	ROTOR ASS'Y	1			B0509	
	D10		INC. 2				B0509	
003-1A		519378-5	ROTOR ASS'Y	1	O	B0509	B6701	
	D10		INC. 2			B0509	B6701	
003-1B		519378-5	ROTOR ASS'Y	1	O	B0509	B6701	
	D10		INC. 2			B0509	B6701	
003-1C		519378-5	ROTOR ASS'Y	1	O	B0509	B6701	
	D10		INC. 2			B0509	B6701	
003-1E		519378-5	ROTOR ASS'Y	1			B6701	
	D10		INC. 2				B6701	
003-2		510329-1	ROTOR ASS'Y	1	<	B6701		
	D10		INC. 2			B6701		
004		319214-3	GEAR HOUSING COVER	1				
005		213445-5	O-RING 26	1				
006		210042-8	BALL BEARING 629LLB	1				
007		227541-3	SPIRAL BEVEL GEAR 10	1			C3594	
007-1		226861-2	SPIRAL BEVEL GEAR 10	1	S	C3594		
008		252186-8	HEX. NUT M6	1				
009		417771-6	PIN CAP	1				
010		233072-2	COMPRESSION SPRING 8	1				
011		266361-0	TAPPING SCREW 4X30	4				
012		213960-9	O RING 5	1				
013		256546-6	SHOULDER PIN 4	1				
014		319213-5	GEAR HOUSING	1				
015		263002-9	RUBBER PIN 4	1				
016		210033-9	BALL BEARING 696ZZ	1				
017		233950-6	RING SPRING 11	1				
018		227641-9	SPIRAL BEVEL GEAR 37	1			C3594	
018-1		226862-0	SPIRAL BEVEL GEAR 37	1	S	C3594		
019		962151-6	RETAINING RING R-32	1				
020		211129-9	BALL BEARING 6201DDW	1				
021		267113-2	FLAT WASHER 12	1			D7262	
021-1		267238-2	FLAT WASHER 12	1	O	D7262		
022		213622-9	O RING 45	1				
023		318331-6	BEARING BOX	1				
024		911121-2	PAN HEAD SCREW M4X14	4				
025		345464-4	LABYRINTH RING	1				
026		324956-6	SPINDLE	1				
027A		122893-6	TOOLLESS WHEEL COVER 100K ASSY	1			B1218	
	C10	213009-5	O RING 4	1			B1218	
	C20	265180-1	PAN HEAD SCREW M5X16	1			B1218	
027B		122893-6	TOOLLESS WHEEL COVER 100K ASSY	1			B1218	
	C10	213009-5	O RING 4	1			B1218	
	C20	265180-1	PAN HEAD SCREW M5X16	1			B1218	
027C		122893-6	TOOLLESS WHEEL COVER 100K ASSY	1			B1218	
	C10	213009-5	O RING 4	1			B1218	
	C20	265180-1	PAN HEAD SCREW M5X16	1			B1218	
027-1A		125885-4	WHEEL COVER 100AK ASS'Y	1	O	B1218		
	C10	213009-5	O RING 4	1		B1218		
	C20	265180-1	PAN HEAD SCREW M5X16	1		B1218		
027-1B		125885-4	WHEEL COVER 100AK ASS'Y	1	O	B1218		

A:DGA404Z(N)
 B:DGA404RFE(H)
 C:DGA404RME(H)
 E:DGA404RTJ2(H)

Interchange
 O : Yes
 X : No
 < : the new part can be substituted for the current.
 > : the current part can be substituted for the new.
 S : Interchangeable as a set.

VN	VIETNAM
-----------	----------------

DGA404 / 100MM CORDLESS ANGLE GRINDER

Item	Sub	Parts No.	Parts Description	Qty	I/C	E/C No.	Close No.	Remark
	C10	213009-5	O RING 4	1		B1218		
	C20	265180-1	PAN HEAD SCREW M5X16	1		B1218		
027-1C		125885-4	WHEEL COVER 100AK ASS'Y	1	O	B1218		
	C10	213009-5	O RING 4	1		B1218		
	C20	265180-1	PAN HEAD SCREW M5X16	1		B1218		
027-1E		125885-4	WHEEL COVER 100AK ASS'Y	1				
	C10	213009-5	O RING 4	1				
	C20	265180-1	PAN HEAD SCREW M5X16	1				
028		224314-5	INNER FLANGE 30	1				
029		224559-5	LOCK NUT 10-30	1				
030		850J12-1	DGA404 NAME PLATE	1				
031		266326-2	TAPPING SCREW 4X18	5				
032		455450-8	DUST COVER R	1				
033		187998-9	MOTOR HOUSING SET	1				
	C10	263005-3	RUBBER PIN 6	2				
	D10		INC. 41					
034		455447-7	SWITCH KNOB	1				
035		455446-9	SWITCH LEVER	1				
036		455448-5	LEVER	1				
037		231679-8	TORSION SPRING 2	1				
038		268330-7	PIN 2	1				
039		142901-7	INDICATOR PANEL COMPLETE	1				
040		650579-7	SWITCH 1246.3223	1				
041		187998-9	MOTOR HOUSING SET	1				
	C10	263005-3	RUBBER PIN 6	2				
	D10		INC. 33					
042		455449-3	DUST COVER L	1				
043		643899-6	TERMINAL	1				
044A		632E34-1	RESISTOR UNIT	1			B0251	
044B		632E34-1	RESISTOR UNIT	1			B0251	
044C		632E34-1	RESISTOR UNIT	1			B0251	
045A		632E33-3	LEAD UNIT	1			B0251	
045B		632E33-3	LEAD UNIT	1			B0251	
045C		632E33-3	LEAD UNIT	1			B0251	
046		850J17-1	DGA404 SERIAL NO. LABEL	1				
A01		A-80852	GRINDING WHEEL 100X6X16	1				
A02		158237-4	GRIP 36 COMPLETE	1				
A03		782420-7	LOCK NUT WRENCH 20	1				
A04B		***DC18RC	DC18RC FAST CHARGER	1				
A04C		***DC18RC	DC18RC FAST CHARGER	1				
A04E		***DC18RC	DC18RC FAST CHARGER	1				
A05B		194204-5	BATTERY BL1830 SET	2			A5588	
A05C		196399-0	BATTERY BL1840 SET	2			A5588	
A05-1B		194204-5	BATTERY BL1830 SET	2	O	A5588	B2535	
A05-1C		196399-0	BATTERY BL1840 SET	2	O	A5588	A9784	
A05-2B		197600-6	BATTERY BL1830B SET	2	<	B2535	C4176	
A05-2C		197265-4	BATTERY BL1840B SET	2	<	A9784	C5218	
A05-2E		197280-8	BATTERY BL1850B SET	2			C5219	
A05-3B		197600-6	BATTERY BL1830B SET	2	O	C4176		
A05-3C		197265-4	BATTERY BL1840B SET	2	O	C5218		
A05-3E		197280-8	BATTERY BL1850B SET	2	O	C5219		
A06B		450128-8	BATTERY COVER	1				
A06C		450128-8	BATTERY COVER	1				
A06E		450128-8	BATTERY COVER	1				
A07B		821636-0	PLASTIC CASE	1			B9155	
	C10	162315-4	LATCH	2			B9155	
A07C		821636-0	PLASTIC CASE	1			B9155	
	C10	162315-4	LATCH	2			B9155	
A07E		821551-8	CONNECTOR PLASTIC CASE (TYPE3)	1				
	C10	453974-8	LATCH	4				
A07-1B		821734-0	PLASTIC CASE	1	O	B9155	D1862	
	C10	162315-4	LATCH	2		B9155	D1862	
A07-1C		821734-0	PLASTIC CASE	1	O	B9155	D1862	
	C10	162315-4	LATCH	2		B9155	D1862	
A07-2B		821817-6	PLASTIC CASE	1	O	D1862		

A:DGA404Z(N)
 B:DGA404RFE(H)
 C:DGA404RME(H)
 E:DGA404RTJ2(H)

Interchange
 O : Yes
 X : No
 < : the new part can be substituted for the current.
 > : the current part can be substituted for the new.
 S : Interchangeable as a set.

