



VN	VIETNAM
----	---------

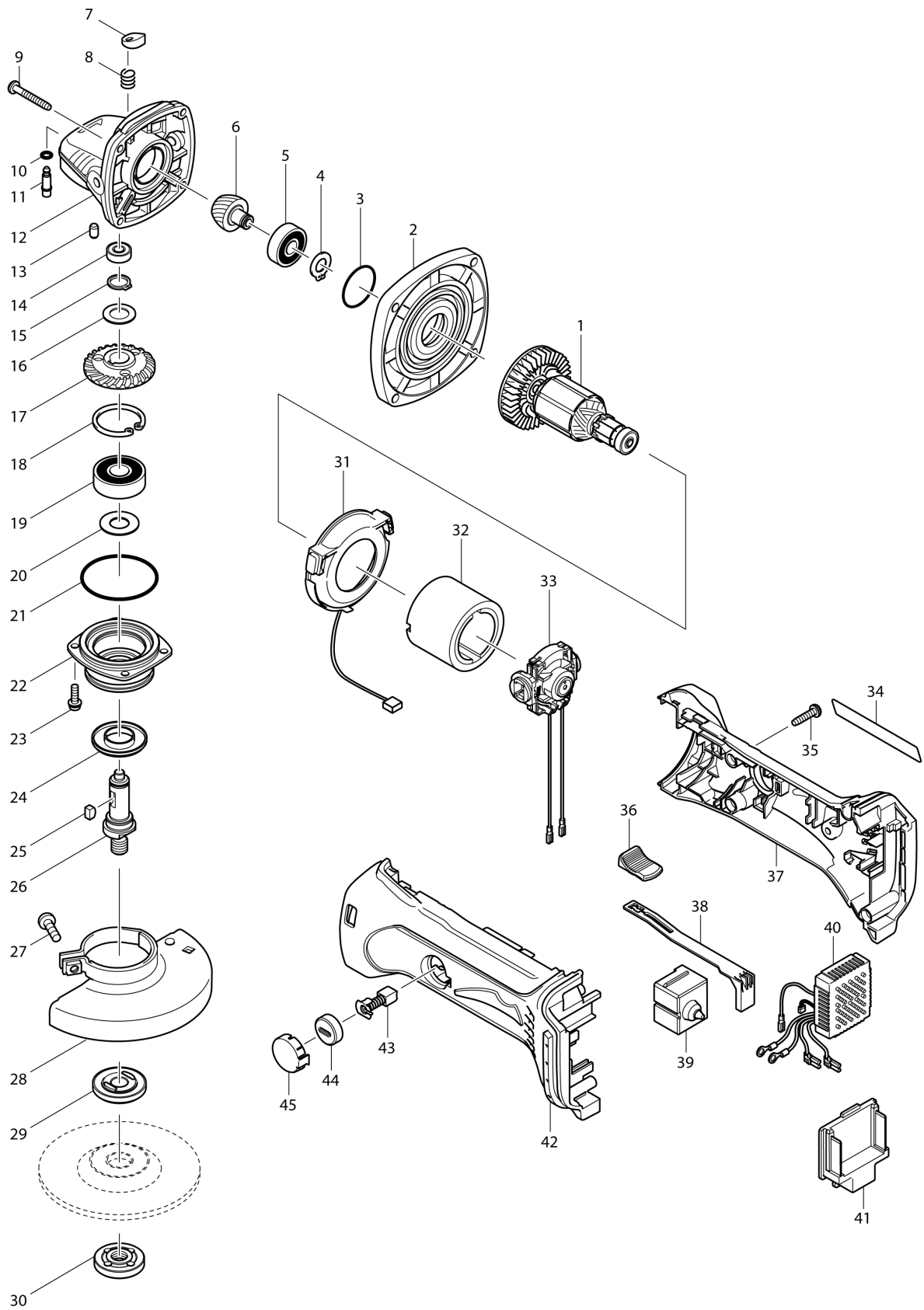
Diagram / Parts List

DGA402

CORDLESS ANGLE GRINDER 100MM



(VN) DGA402 / CORDLESS ANGLE GRINDER 100MM



VN	VIETNAM
-----------	----------------

DGA402 / CORDLESS ANGLE GRINDER 100MM

Item	Sub	Parts No.	Parts Description	Qty	I/C	E/C No.	Close No.	Remark
001		619218-8	ARMATURE	1				
	C10	210039-7	BALL BEARING 695DDW	1				
	C20	421977-0	RUBBER RING 13	1				
002		317821-6	GEAR HOUSING COVER	1				
003		213445-5	O-RING 26	1				
004		961005-4	RETAINING RING S-9	1				
005		210042-8	BALL BEARING 629LLB	1				
006		227501-5	SPIRAL BEVEL GEAR 19	1			DC130	
006-1		227959-8	SPIRAL BEVEL GEAR 19	1	S	DC130		
007		417771-6	PIN CAP	1				
008		233072-2	COMPRESSION SPRING 8	1				
009		266050-7	TAPPING SCREW 4X30	4				
010		213960-9	O RING 5	1				
011		256496-5	SHOULDER PIN 4	1				
012		318051-2	GEAR HOUSING	1				
013		263002-9	RUBBER PIN 4	1				
014		210033-9	BALL BEARING 696ZZ	1				
015		961052-5	RETAINING RING S-12	1				
016		253744-3	FLAT WASHER 12	1				
017		227502-3	SPIRAL BEVEL GEAR 39	1			DC130	
017-1		227960-3	SPIRAL BEVEL GEAR 39	1	S	DC130		
018		962151-6	RETAINING RING R-32	1				
019		211129-9	BALL BEARING 6201DDW	1				
020		267238-2	FLAT WASHER 12	1				
021		213622-9	O RING 45	1				
022		317819-3	BEARING BOX	1				
023		911121-2	PAN HEAD SCREW M4X14	4				
024		345464-4	LABYRINTH RING	1				
025		254011-9	WOODRUFF KEY 4	1				
026		324488-3	SPINDLE	1				
027		265103-9	PAN HEAD SCREW M5X14	1				
028		135196-9	WHEEL COVER ASS'Y	1			B6931	
	D10		INC. 27				B6931	
028-1		125266-2	WHEEL COVER 100 ASSEMBLY	1	O	B6931		
	D10		INC. 27			B6931		
029		224314-5	INNER FLANGE 30	1				
030		224559-5	LOCK NUT 10-30	1				
031		631714-6	LED CIRCUIT	1				
032		638627-2	YOKE UNIT	1				
033		638448-2	ENDBELL COMPLETE	1				
034B		815R68-9	DGA402 NAME PLATE	1		A2383		
034C		815R68-9	DGA402 NAME PLATE	1				
034D		815R68-9	DGA402 NAME PLATE	1				
035		265995-6	TAPPING SCREW 4X18	5				
036		419566-3	SWITCH KNOB	1				
037		187839-9	HOUSING SET	1				
	C10	263005-3	RUBBER PIN 6	2				
	D10		INC. 42					
038		419519-2	SWITCH LEVER	1				
039		650579-7	SWITCH 1246.3223	1				
040		620243-4	CONTROLLER	1				
041		644808-8	TERMINAL	1				
042		187839-9	HOUSING SET	1				
	C10	263005-3	RUBBER PIN 6	2				
	D10		INC. 37					
043		195018-5	CARBON BRUSH SET CB-430	1				
044		643954-4	BRUSH HOLDER CAP	2				
045		419518-4	HOLDER CAP COVER	2				
A01		782420-7	LOCK NUT WRENCH 20	1				
A02B		***DC18RC	DC18RC FAST CHARGER	1				
A02C		***DC18RC	DC18RC FAST CHARGER	1				
A03B		194204-5	BATTERY BL1830 SET	2			A5588	
A03C		196399-0	BATTERY BL1840 SET	2			A5588	
A03-1B		194204-5	BATTERY BL1830 SET	2	O	A5588	B2535	
A03-1C		196399-0	BATTERY BL1840 SET	2	O	A5588	A9784	

B:DGA402RFE(H)
C:DGA402RME(H)
D:DGA402Z(N)

Interchange
O : Yes
X : No
< : the new part can be substituted for the current.
> : the current part can be substituted for the new.
S : Interchangeable as a set.

