



| | |
|----|---------|
| VN | VIETNAM |
|----|---------|

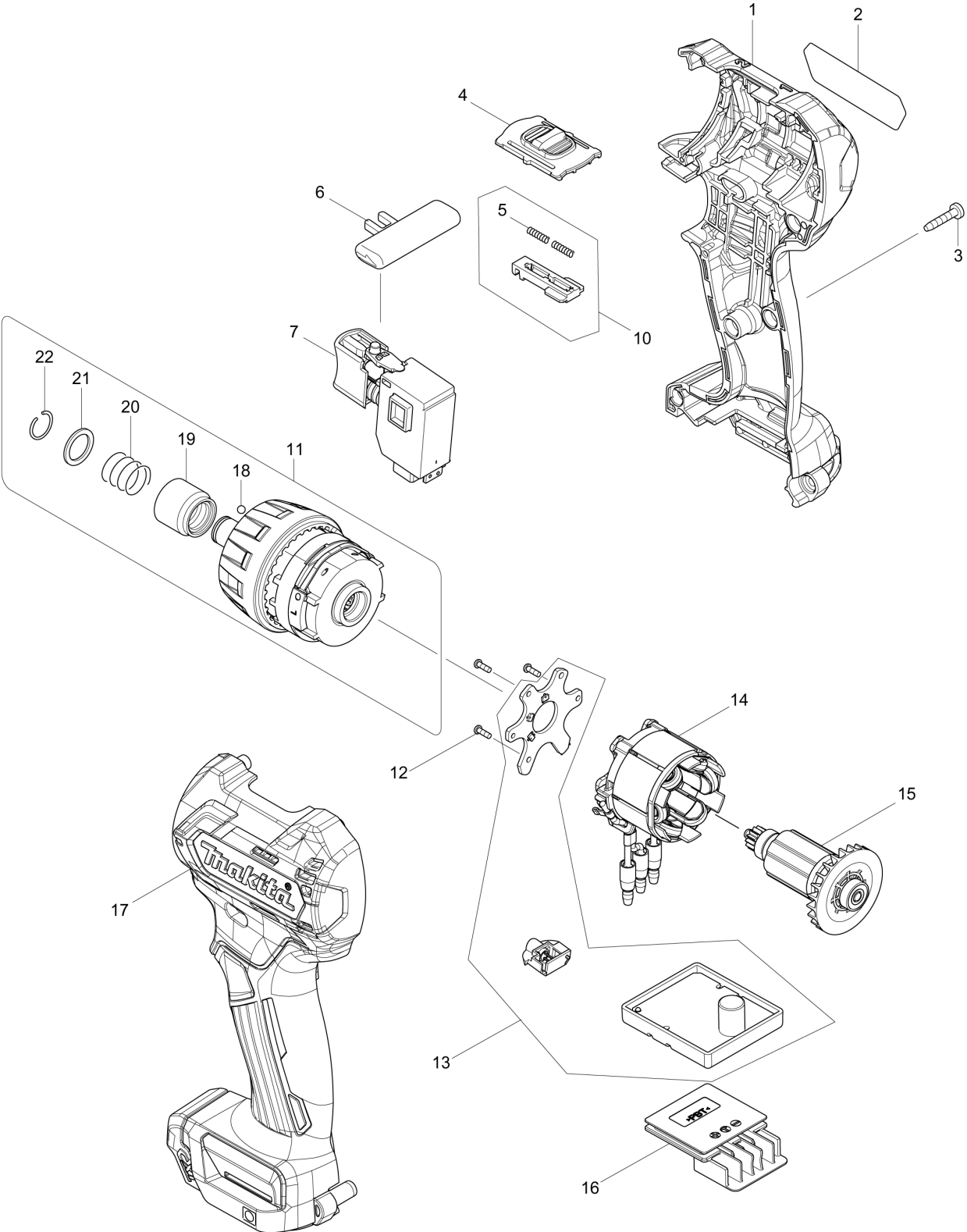
Diagram / Parts List

DF032D

CORDLESS DRIVER DRILL



(VN) DF032D / CORDLESS DRIVER DRILL



| | |
|-----------|----------------|
| VN | VIETNAM |
|-----------|----------------|

DF032D / CORDLESS DRIVER DRILL

| Item | Sub | Parts No. | Parts Description | Qty | I/C | E/C No. | Close No. | Remark |
|--------|-----|-----------|------------------------|-----|-----|---------|-----------|--------|
| 001 | | 183C34-7 | HOUSING SET | 1 | | | | |
| | D10 | | INC. 17 | | | | | |
| 002 | | 851U10-4 | DF032D NAME PLATE | 1 | | | Y07746 | |
| 002-1 | | 851U09-9 | DF032D NAME PLATE | 1 | < | Y07746 | | |
| 003 | | 266429-2 | TAPPING SCREW 3X16 | 8 | | | | |
| 004 | | 456532-9 | SPEED CHANGE LEVER | 1 | | | | |
| 005 | | 233025-1 | COMPRESSION SPRING 2 | 2 | | | | |
| 006 | | 419041-9 | F/R CHANGE LEVER | 1 | | | | |
| 007 | | 650689-0 | SWITCH C3JW-2B | 1 | | | | |
| 010 | | 123587-6 | CHANGE LEVER ASS'Y | 1 | | | | |
| | D10 | | INC. 5 | | | | | |
| 011 | | 123550-9 | GEAR ASSEMBLY | 1 | | | B4380 | |
| | D10 | | INC. 18-22 | | | | B4380 | |
| 011-1 | | 123869-6 | GEAR ASSEMBLY N | 1 | O | B4380 | D0925 | |
| | D10 | | INC. 18-22 | | | B4380 | D0925 | |
| 011-2 | | 123869-6 | GEAR ASSEMBLY N | 1 | O | D0925 | D7899 | |
| | D10 | | INC. 18-22 | | | D0925 | D7899 | |
| 011-3 | | 123869-6 | GEAR ASSEMBLY N | 1 | O | D7899 | | |
| | D10 | | INC. 18-22 | | | D7899 | | |
| 012 | | 266490-9 | TAPPING SCREW PT 2X6 | 3 | | | | |
| 013 | | 620487-6 | CONTROLLER | 1 | | | B2645 | |
| 013-1 | | 620487-6 | CONTROLLER | 1 | O | B2645 | D1154 | |
| | C10 | 620553-9 | LED CIRCUIT | 1 | | B2645 | D1154 | |
| 013-2 | | 620B33-7 | CONTROLLER | 1 | < | D1154 | | |
| | C10 | 620553-9 | LED CIRCUIT | 1 | | D1154 | | |
| 014 | | 629178-6 | STATOR | 1 | | | | |
| 015 | | 619393-0 | ROTOR | 1 | | | B5873 | |
| 015-1 | | 619410-6 | ROTOR | 1 | O | B5873 | D0256 | |
| 015-2 | | 619410-6 | ROTOR | 1 | O | D0256 | | |
| 016 | | 644813-5 | TERMINAL | 1 | | | | |
| 017 | | 183C34-7 | HOUSING SET | 1 | | | | |
| | D10 | | INC. 1 | | | | | |
| 018 | | 216019-1 | STEEL BALL 3 | 2 | | | | |
| 019 | | 326677-6 | BIT SLEEVE | 1 | | | | |
| 020 | | 233005-7 | COMPRESSION SPRING 13 | 1 | | | | |
| 021 | | 347004-4 | BIT WASHER | 1 | | | | |
| 022 | | 231965-7 | RING SPRING 10 | 1 | | | | |
| A01 | | 251314-2 | + SCREW M4X12 | 1 | | | | |
| A02 | | 346909-5 | HOOK | 1 | | | | |
| A03 | | 784202-3 | PHILLIPS BIT 2-45 | 1 | | | | |
| A04B | | 456128-6 | BATTERY COVER | 1 | | | | |
| A04C | | 456128-6 | BATTERY COVER | 1 | | | | |
| A05B | | ***DC10SB | DC10SB BATTERY CHARGER | 1 | | | | |
| | D10 | | COMPO-PARTS | | | | | |
| A05C | | ***DC10SB | DC10SB BATTERY CHARGER | 1 | | | | |
| | D10 | | COMPO-PARTS | | | | | |
| A06B | | 197393-5 | BATTERY BL1016 SET | 2 | | | | |
| A06C | | 197396-9 | BATTERY BL1021B SET | 2 | | | C5226 | |
| A06-1C | | 197396-9 | BATTERY BL1021B SET | 2 | O | C5226 | | |
| A07B | | 821661-1 | PLASTIC CARRYING CASE | 1 | | | | |
| | C10 | 417724-5 | LATCH | 2 | | | | |
| A07C | | 821661-1 | PLASTIC CARRYING CASE | 1 | | | | |
| | C10 | 417724-5 | LATCH | 2 | | | | |
| E01 | | 163400-6 | HANDSTRAP | 1 | | DB968 | | |

B:DF032DSYE(H)
C:DF032DSAE(H)

Interchange
O : Yes
X : No
< : the new part can be substituted for the current.
> : the current part can be substituted for the new.
S : Interchangeable as a set.