



VN	VIETNAM
----	---------

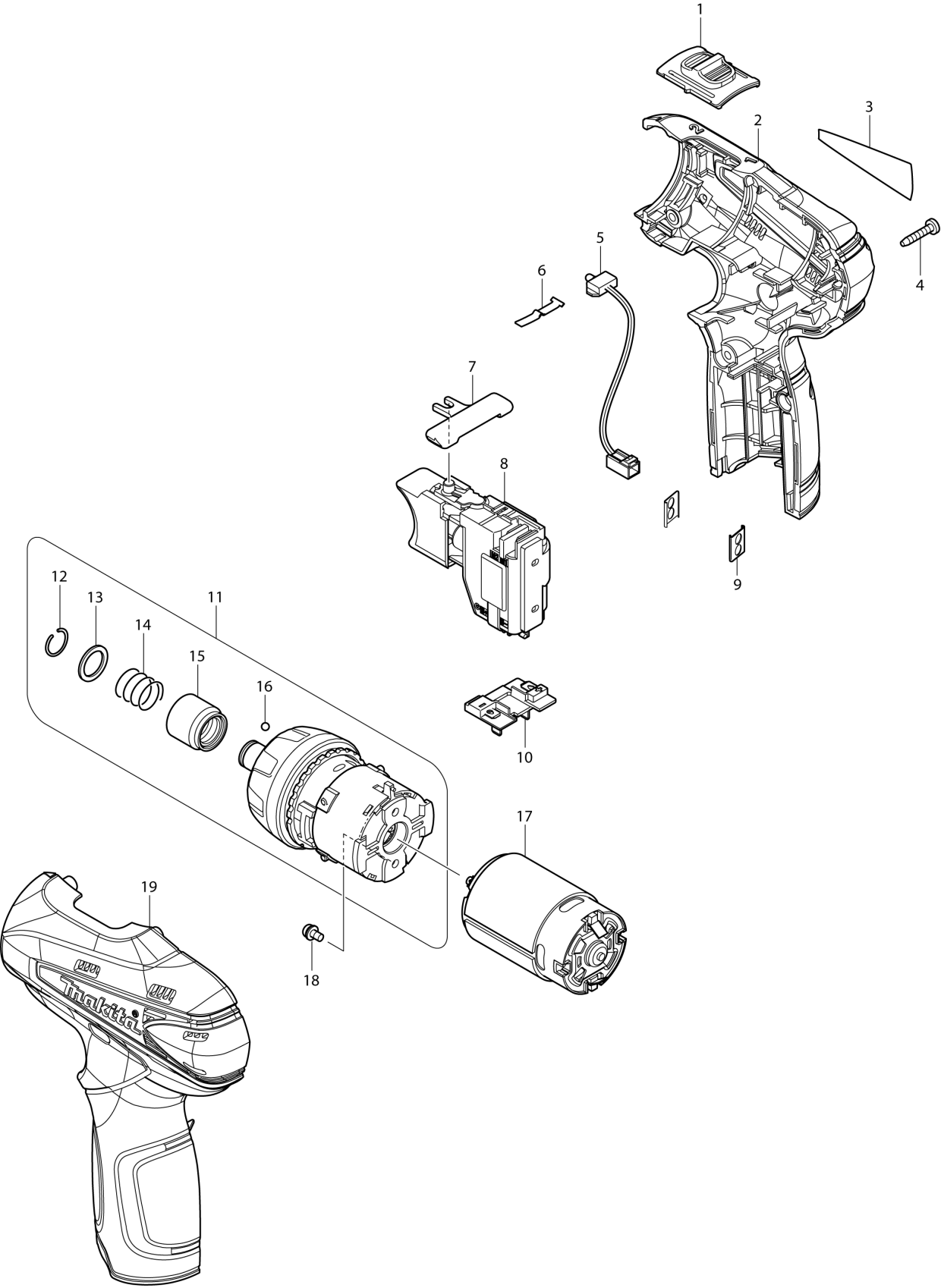
Diagram / Parts List

DF030D

CORDLESS DRIVER DRILL



(VN) DF030D / CORDLESS DRIVER DRILL



VN	VIETNAM
-----------	----------------

DF030D / CORDLESS DRIVER DRILL

Item	Sub	Parts No.	Parts Description	Qty	I/C	E/C No.	Close No.	Remark
001		125461-4	SPEED CHANGE LEVER ASSEMBLY	1			95509	
	C10	231433-0	COMPRESSION SPRING 4	2			95509	
001-1		126233-0	SPEED CHANGE LEVER ASSEMBLY	1	<	95509		
	C10	231433-0	COMPRESSION SPRING 4	2		95509		
002		188498-2	HOUSING SET	1			91765	
	D10		INC. 19				91765	
002-1		187147-8	HOUSING SET	1	X	91765	94907	
	D10		INC. 19			91765	94907	
002-2		187359-3	HOUSING SET	1	O	94907		
	D10		INC. 19			94907		
003		865041-1	DF030D NAME PLATE	1				
004		266130-9	TAPPING SCREW BIND PT 3X16	6				
005A		631813-4	LED CIRCUIT	1			90876	
006		232239-9	LEAF SPRING	1				
007		450504-6	F/R CHANGE LEVER	1				
008A		650599-1	SWITCH C3HY-1A-LM	1			90876	
008-1A		650645-0	SWITCH C3HY-1A-LF1M	1	<	90876	96587	
008-1B		650645-0	SWITCH C3HY-1A-LF1M	1			96587	
008-2		650699-7	SWITCH C3HW-3A-LF1M	1	X	96587		
009		345998-7	SET PLATE	2				
010		643830-2	TERMINAL	1				
011		125460-6	GEAR ASSEMBLY	1			B0280	
	D10		INC. 12-16				B0280	
011-1		123505-4	GEAR ASS'Y	1	O	B0280		
	D10		INC. 12-16			B0280		
012		231965-7	RING SPRING 10	1				
013		267143-3	FLAT WASHER 11	1				
014		233005-7	COMPRESSION SPRING 13	1				
015		324919-2	BIT SLEEVE	1				
016		216019-1	STEEL BALL 3	2				
017		629853-4	DC MOTOR	1				
018		911003-8	PAN HEAD SCREW M3X6	2				
019		188498-2	HOUSING SET	1			91765	
	D10		INC. 2				91765	
019-1		187147-8	HOUSING SET	1	X	91765	94907	
	D10		INC. 2			91765	94907	
019-2		187359-3	HOUSING SET	1	O	94907		
	D10		INC. 2			94907		
020		533020-4	LEAD ASS'Y	1		Y06340		
021		533019-9	LEAD ASS'Y	1		Y06340		
A01A		168467-9	HOLSTER	1				
A02A		***DC10WA	DC10WA BATTERY CHARGER	1				
A03A		194550-6	BATTERY BL1013 SET	2			C9571	
A03-1A		196066-7	BATTERY BL1013 SET	2	O	C9571		
A04		784250-2	+ BIT 2-45	1			98115	
A04-1		784202-3	PHILLIPS BIT 2-45	1	O	98115		
A05A		824781-0	PLASTIC CASE	1				
A06A		824842-6	PLASTIC CARRYING CASE	1			A0996	
	C10	417724-5	LATCH	2			A0996	
A06-1A		141104-0	PLASTIC CARRYING CASE COMPLETE	1	<	A0996		
	C10	417724-5	LATCH	2		A0996		

A:DF030DWE(H)
B:DF030DZ(N)

Interchange
O : Yes
X : No
< : the new part can be substituted for the current.
> : the current part can be substituted for the new.
S : Interchangeable as a set.