



|    |         |
|----|---------|
| VN | VIETNAM |
|----|---------|

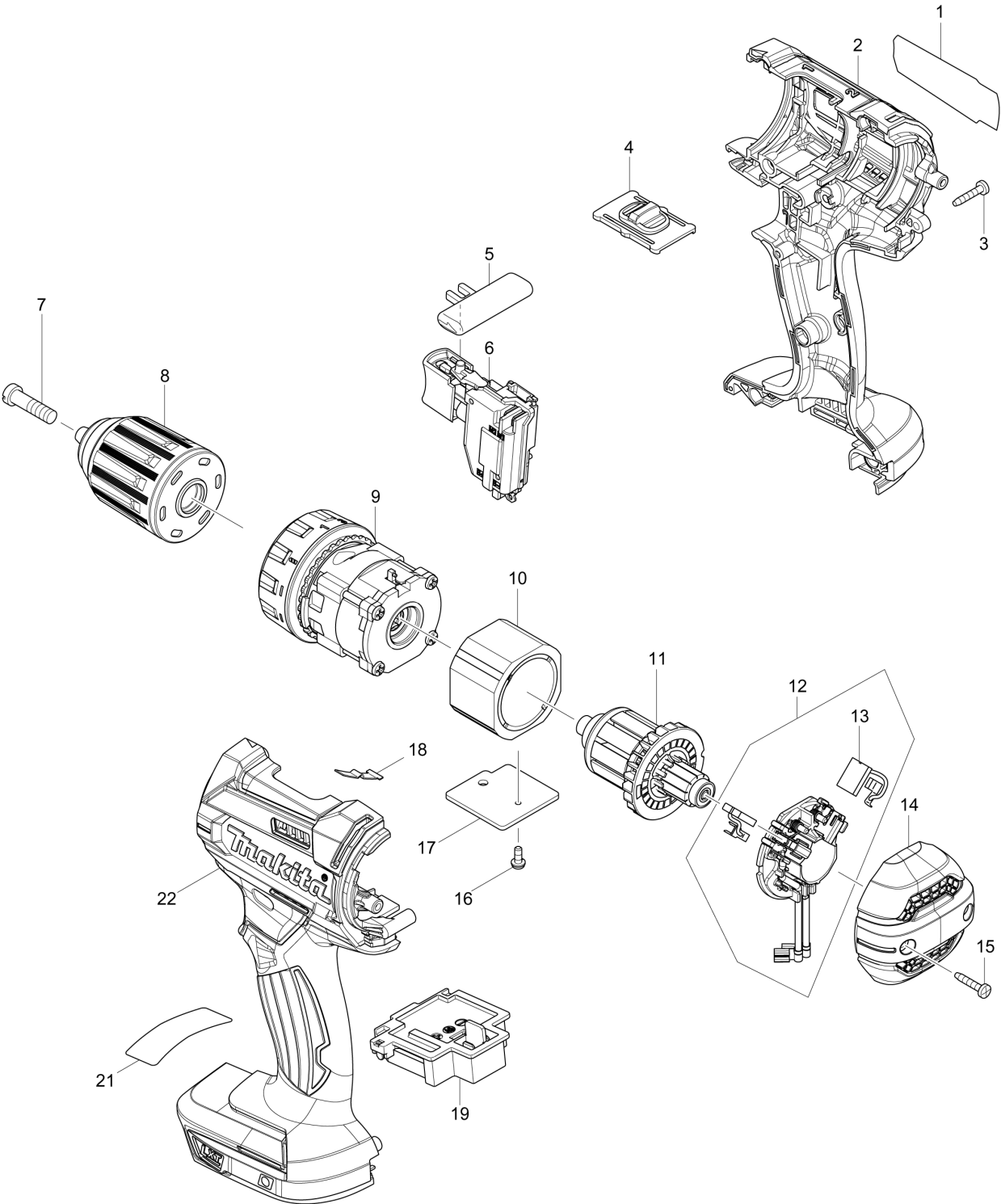
# Diagram / Parts List

**DDF482**

**CORDLESS DRIVER DRILL**



(VN) DDF482 / CORDLESS DRIVER DRILL



|    |         |
|----|---------|
| VN | VIETNAM |
|----|---------|

**DDF482 / CORDLESS DRIVER DRILL**

| Item   | Sub | Parts No. | Parts Description              | Qty | I/C | E/C No. | Close No. | Remark |
|--------|-----|-----------|--------------------------------|-----|-----|---------|-----------|--------|
| 001    |     | 851E35-2  | DDF482 NAME PLATE              | 1   |     |         |           |        |
| 002    |     | 183B65-0  | HOUSING SET                    | 1   |     |         |           |        |
|        | C10 | 263005-3  | RUBBER PIN 6                   | 2   |     |         |           |        |
|        | D10 |           | INC. 22                        |     |     |         |           |        |
| 003    |     | 266429-2  | TAPPING SCREW 3X16             | 9   |     |         |           |        |
| 004    |     | 123442-2  | SPEED CHANGE LEVER ASSEMBLY    | 1   |     |         |           |        |
|        | C10 | 233438-6  | COMPRESSION SPRING 4           | 2   |     |         |           |        |
| 005    |     | 419041-9  | F/R CHANGE LEVER               | 1   |     |         |           |        |
| 006    |     | 650753-7  | SWITCH C3HA-Z1A-TLF1MS         | 1   |     |         |           |        |
|        | C10 | 620444-4  | LED CIRCUIT                    | 1   |     |         |           |        |
| 007    |     | 251468-5  | - FLAT HEAD SCREW M6X22        | 1   |     |         |           |        |
| 008    |     | 766027-7  | KEYLESS DRILL CHUCK 13         | 1   |     |         |           |        |
| 009    |     | 123444-8  | GEAR ASSEMBLY                  | 1   |     |         | C9294     |        |
| 009-1  |     | 127323-2  | GEAR ASSEMBLY                  | 1   | <   | C9294   | C9820     |        |
| 009-2  |     | 127511-1  | GEAR ASSEMBLY                  | 1   | <   | C9820   |           |        |
| 010    |     | 632F32-1  | YOKE UNIT                      | 1   |     |         | B5029     |        |
| 010-1  |     | 632J70-7  | YOKE UNIT                      | 1   | <   | B5029   |           |        |
| 011    |     | 619380-9  | ARMATURE                       | 1   |     |         |           |        |
| 012    |     | 632F22-4  | BRUSH HOLDER COMPLETE          | 1   |     |         |           |        |
|        | D10 |           | INC. 13                        |     |     |         |           |        |
| 013    |     | 195021-6  | CARBON BRUSH SET CB-440        | 1   |     |         |           |        |
| 014    |     | 456099-7  | REAR COVER                     | 1   |     |         |           |        |
| 015    |     | 266429-2  | TAPPING SCREW 3X16             | 2   |     |         |           |        |
| 016    |     | 911006-2  | PAN HEAD SCREW M3X8            | 1   |     |         | B1225     |        |
| 016-1  |     | 652066-2  | +PAN HEAD SCREW M3X9 WITH W    | 1   | <   | B1225   |           |        |
| 017    |     | 689070-8  | HEAT SINK                      | 1   |     |         |           |        |
| 018    |     | 232182-2  | LEAF SPRING                    | 1   |     |         |           |        |
| 019    |     | 644808-8  | TERMINAL                       | 1   |     |         |           |        |
| 022    |     | 183B65-0  | HOUSING SET                    | 1   |     |         |           |        |
|        | C10 | 263005-3  | RUBBER PIN 6                   | 2   |     |         |           |        |
|        | D10 |           | INC. 2                         |     |     |         |           |        |
| A01    |     | 251314-2  | + SCREW M4X12                  | 1   |     |         |           |        |
| A02A   |     | 346317-0  | HOOK                           | 1   |     |         |           |        |
| A02B   |     | 346449-3  | HOOK                           | 1   |     |         |           |        |
| A02C   |     | 346317-0  | HOOK                           | 1   |     |         |           |        |
| A03    |     | 784637-8  | + - BIT 2-45                   | 1   |     |         |           |        |
| A04B   |     | 141856-3  | PLASTIC CARRYING CASE COMPLETE | 1   |     |         |           |        |
|        | C10 | 162302-3  | LATCH                          | 2   |     |         |           |        |
|        | C20 | 324207-7  | SHAFT                          | 1   |     |         |           |        |
|        | C30 | 451749-9  | HANDLE                         | 1   |     |         |           |        |
| A04C   |     | 141856-3  | PLASTIC CARRYING CASE COMPLETE | 1   |     |         |           |        |
|        | C10 | 162302-3  | LATCH                          | 2   |     |         |           |        |
|        | C20 | 324207-7  | SHAFT                          | 1   |     |         |           |        |
|        | C30 | 451749-9  | HANDLE                         | 1   |     |         |           |        |
| A05B   |     | 450128-8  | BATTERY COVER                  | 1   |     |         |           |        |
| A05C   |     | 450128-8  | BATTERY COVER                  | 1   |     |         |           |        |
| A06B   |     | ***DC18RC | DC18RC FAST CHARGER            | 1   |     |         |           |        |
| A06C   |     | ***DC18RC | DC18RC FAST CHARGER            | 1   |     |         |           |        |
| A07B   |     | 196460-3  | BATTERY BL1820 SET             | 2   |     |         | B1798     |        |
| A07C   |     | 194204-5  | BATTERY BL1830 SET             | 2   |     |         | B2535     |        |
| A07-1B |     | 197254-9  | BATTERY BL1820B SET            | 2   | <   | B1798   | C2085     |        |
| A07-1C |     | 197600-6  | BATTERY BL1830B SET            | 2   | <   | B2535   | C4176     |        |
| A07-2B |     | 197254-9  | BATTERY BL1820B SET            | 2   | O   | C2085   |           |        |
| A07-2C |     | 197600-6  | BATTERY BL1830B SET            | 2   | O   | C4176   |           |        |
| A08B   |     | 807S78-6  | DDF482RAE PLASTIC CASE LABEL   | 2   |     |         |           |        |
| A08C   |     | 808N51-9  | DDF482RFE PLASTIC CASE LABEL   | 2   |     |         |           |        |
| E01    |     | 163400-6  | HANDSTRAP                      | 1   |     | DB968   |           |        |

A:DDF482Z(N)  
 B:DDF482RAE(H)  
 C:DDF482RFE(H)

Interchange  
 O : Yes  
 X : No  
 < : the new part can be substituted for the current.  
 > : the current part can be substituted for the new.  
 S : Interchangeable as a set.