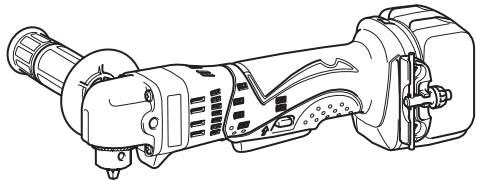




EN	Cordless Angle Drill	INSTRUCTION MANUAL	4
ZHCN	充电式角向电钻	使用说明书	11
ID	Bor Sudut Tanpa Kabel	PETUNJUK PENGGUNAAN	18
VI	Máy Khoan Góc Cầm Tay Hoạt Động Bằng Pin	TÀI LIỆU HƯỚNG DẪN	25
TH	สว่านไฟฟ้าไร้สายแบบเข้ามุม	คู่มือการใช้งาน	32

DDA340
DDA350



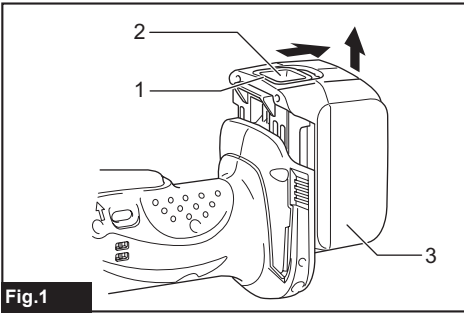


Fig.1

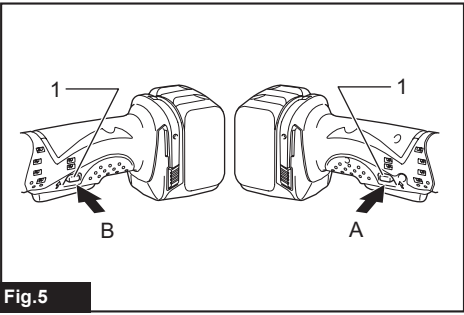


Fig.5

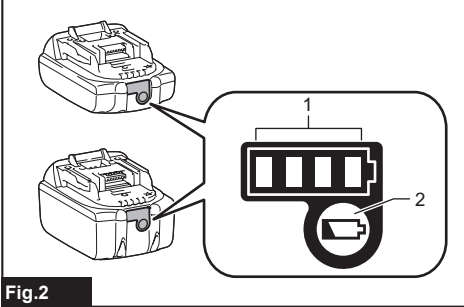


Fig.2

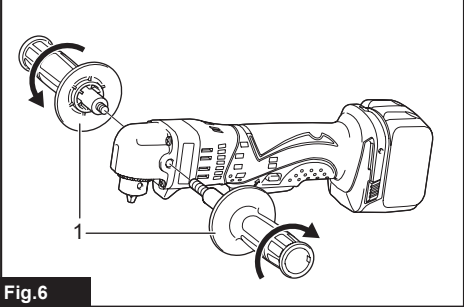


Fig.6

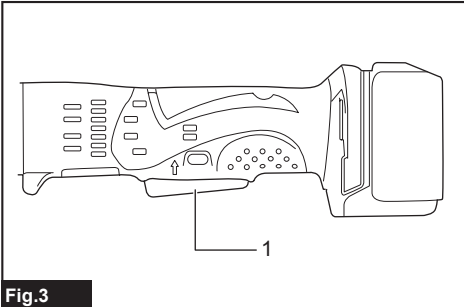


Fig.3

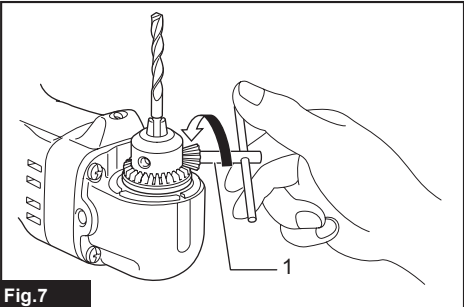


Fig.7

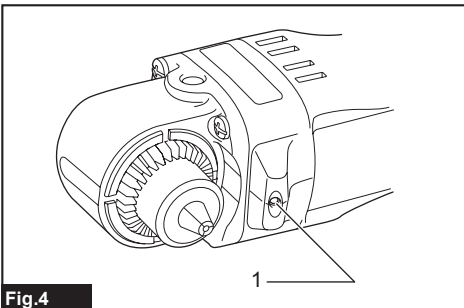


Fig.4

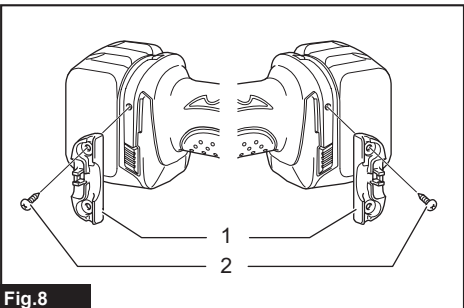
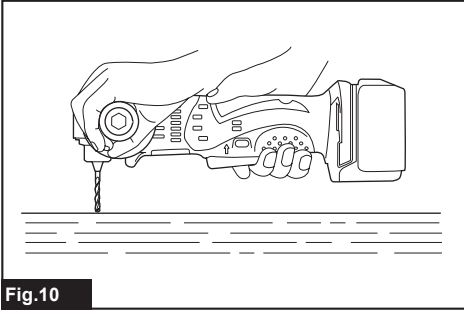
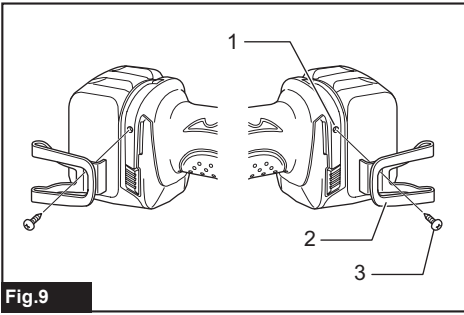


Fig.8



SPECIFICATIONS

Model:		DDA340	DDA350
Drilling capacities	Steel	10 mm	
	Wood	25 mm	
No load speed		0 - 1,700 min ⁻¹	0 - 1,800 min ⁻¹
Overall length		314 mm	
Rated voltage		D.C. 14.4 V	D.C. 18 V
Net weight		1.5 - 1.7 kg	1.5 - 1.8 kg

- Due to our continuing program of research and development, the specifications herein are subject to change without notice.
- Specifications and battery cartridge may differ from country to country.
- The weight may differ depending on the attachment(s), including the battery cartridge. The lightest and heaviest combinations, according to EPTA-Procedure 01/2014, are shown in the table.

Applicable battery cartridge and charger

Battery cartridge	D.C. 14.4 V Model	BL1415N / BL1430 / BL1430B / BL1440 / BL1450 / BL1460B
	D.C. 18 V Model	BL1815N / BL1820 / BL1820B / BL1830 / BL1830B / BL1840 / BL1840B / BL1850 / BL1850B / BL1860B
Charger	DC18RC / DC18RD / DC18RE / DC18SD / DC18SE / DC18SF / DC18SH	

- Some of the battery cartridges and chargers listed above may not be available depending on your region of residence.

⚠ WARNING: Only use the battery cartridges and chargers listed above. Use of any other battery cartridges and chargers may cause injury and/or fire.

Symbols

The followings show the symbols which may be used for the equipment. Be sure that you understand their meaning before use.



Read instruction manual.



Ni-MH
Li-ion

Only for EU countries
Do not dispose of electric equipment or battery pack together with household waste material!
In observance of the European Directives, on Waste Electric and Electronic Equipment and Batteries and Accumulators and Waste Batteries and Accumulators and their implementation in accordance with national laws, electric equipment and batteries and battery pack(s) that have reached the end of their life must be collected separately and returned to an environmentally compatible recycling facility.

Intended use

The tool is intended for drilling in wood, metal and plastic.

SAFETY WARNINGS

General power tool safety warnings

⚠ WARNING: Read all safety warnings, instructions, illustrations and specifications provided with this power tool. Failure to follow all instructions listed below may result in electric shock, fire and/or serious injury.

Save all warnings and instructions for future reference.

The term "power tool" in the warnings refers to your mains-operated (corded) power tool or battery-operated (cordless) power tool.

Work area safety

1. **Keep work area clean and well lit.** Cluttered or dark areas invite accidents.
2. **Do not operate power tools in explosive atmospheres, such as in the presence of flammable liquids, gases or dust.** Power tools create sparks which may ignite the dust or fumes.
3. **Keep children and bystanders away while operating a power tool.** Distractions can cause you to lose control.

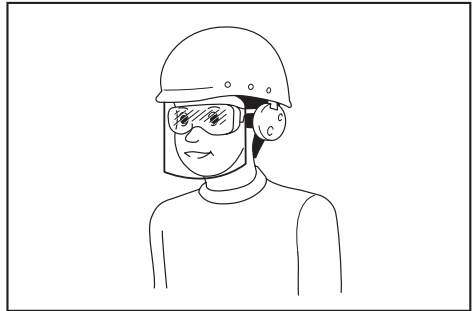
Electrical safety

1. **Power tool plugs must match the outlet. Never modify the plug in any way. Do not use any adapter plugs with earthed (grounded) power tools.** Unmodified plugs and matching outlets will reduce risk of electric shock.
2. **Avoid body contact with earthed or grounded surfaces, such as pipes, radiators, ranges and refrigerators.** There is an increased risk of electric shock if your body is earthed or grounded.
3. **Do not expose power tools to rain or wet conditions.** Water entering a power tool will increase the risk of electric shock.
4. **Do not abuse the cord. Never use the cord for carrying, pulling or unplugging the power tool. Keep cord away from heat, oil, sharp edges or moving parts.** Damaged or entangled cords increase the risk of electric shock.
5. **When operating a power tool outdoors, use an extension cord suitable for outdoor use.** Use of a cord suitable for outdoor use reduces the risk of electric shock.
6. **If operating a power tool in a damp location is unavoidable, use a residual current device (RCD) protected supply.** Use of an RCD reduces the risk of electric shock.
7. **Power tools can produce electromagnetic fields (EMF) that are not harmful to the user.** However, users of pacemakers and other similar medical devices should contact the maker of their device and/or doctor for advice before operating this power tool.

Personal safety

1. **Stay alert, watch what you are doing and use common sense when operating a power tool. Do not use a power tool while you are tired or under the influence of drugs, alcohol or medication.** A moment of inattention while operating power tools may result in serious personal injury.
2. **Use personal protective equipment. Always wear eye protection.** Protective equipment such as a dust mask, non-skid safety shoes, hard hat or hearing protection used for appropriate conditions will reduce personal injuries.
3. **Prevent unintentional starting. Ensure the switch is in the off-position before connecting to power source and/or battery pack, picking up or carrying the tool.** Carrying power tools with your finger on the switch or energising power tools that have the switch on invites accidents.
4. **Remove any adjusting key or wrench before turning the power tool on.** A wrench or a key left attached to a rotating part of the power tool may result in personal injury.
5. **Do not overreach. Keep proper footing and balance at all times.** This enables better control of the power tool in unexpected situations.
6. **Dress properly. Do not wear loose clothing or jewellery. Keep your hair and clothing away from moving parts.** Loose clothes, jewellery or long hair can be caught in moving parts.

7. **If devices are provided for the connection of dust extraction and collection facilities, ensure these are connected and properly used.** Use of dust collection can reduce dust-related hazards.
8. **Do not let familiarity gained from frequent use of tools allow you to become complacent and ignore tool safety principles.** A careless action can cause severe injury within a fraction of a second.
9. **Always wear protective goggles to protect your eyes from injury when using power tools. The goggles must comply with ANSI Z87.1 in the USA, EN 166 in Europe, or AS/NZS 1336 in Australia/New Zealand. In Australia/New Zealand, it is legally required to wear a face shield to protect your face, too.**



It is an employer's responsibility to enforce the use of appropriate safety protective equipments by the tool operators and by other persons in the immediate working area.

Power tool use and care

1. **Do not force the power tool. Use the correct power tool for your application.** The correct power tool will do the job better and safer at the rate for which it was designed.
2. **Do not use the power tool if the switch does not turn it on and off.** Any power tool that cannot be controlled with the switch is dangerous and must be repaired.
3. **Disconnect the plug from the power source and/or remove the battery pack, if detachable, from the power tool before making any adjustments, changing accessories, or storing power tools.** Such preventive safety measures reduce the risk of starting the power tool accidentally.
4. **Store idle power tools out of the reach of children and do not allow persons unfamiliar with the power tool or these instructions to operate the power tool.** Power tools are dangerous in the hands of untrained users.
5. **Maintain power tools and accessories. Check for misalignment or binding of moving parts, breakage of parts and any other condition that may affect the power tool's operation. If damaged, have the power tool repaired before use.** Many accidents are caused by poorly maintained power tools.
6. **Keep cutting tools sharp and clean.** Properly maintained cutting tools with sharp cutting edges are less likely to bind and are easier to control.

7. **Use the power tool, accessories and tool bits etc. in accordance with these instructions, taking into account the working conditions and the work to be performed.** Use of the power tool for operations different from those intended could result in a hazardous situation.
8. **Keep handles and grasping surfaces dry, clean and free from oil and grease.** Slippery handles and grasping surfaces do not allow for safe handling and control of the tool in unexpected situations.
9. **When using the tool, do not wear cloth work gloves which may be entangled.** The entanglement of cloth work gloves in the moving parts may result in personal injury.

Battery tool use and care

1. **Recharge only with the charger specified by the manufacturer.** A charger that is suitable for one type of battery pack may create a risk of fire when used with another battery pack.
2. **Use power tools only with specifically designated battery packs.** Use of any other battery packs may create a risk of injury and fire.
3. **When battery pack is not in use, keep it away from other metal objects, like paper clips, coins, keys, nails, screws or other small metal objects, that can make a connection from one terminal to another.** Shorting the battery terminals together may cause burns or a fire.
4. **Under abusive conditions, liquid may be ejected from the battery; avoid contact. If contact accidentally occurs, flush with water. If liquid contacts eyes, additionally seek medical help.** Liquid ejected from the battery may cause irritation or burns.
5. **Do not use a battery pack or tool that is damaged or modified.** Damaged or modified batteries may exhibit unpredictable behaviour resulting in fire, explosion or risk of injury.
6. **Do not expose a battery pack or tool to fire or excessive temperature.** Exposure to fire or temperature above 130 °C may cause explosion.
7. **Follow all charging instructions and do not charge the battery pack or tool outside the temperature range specified in the instructions.** Charging improperly or at temperatures outside the specified range may damage the battery and increase the risk of fire.

Service

1. **Have your power tool serviced by a qualified repair person using only identical replacement parts.** This will ensure that the safety of the power tool is maintained.
2. **Never service damaged battery packs.** Service of battery packs should only be performed by the manufacturer or authorized service providers.
3. **Follow instruction for lubricating and changing accessories.**

Cordless drill safety warnings

Safety instructions for all operations

1. **Use the auxiliary handle(s).** Loss of control can cause personal injury.
2. **Hold the power tool by insulated gripping surfaces, when performing an operation where the cutting accessory may contact hidden wiring.** Cutting accessory contacting a "live" wire may make exposed metal parts of the power tool "live" and could give the operator an electric shock.
3. **Always be sure you have a firm footing. Be sure no one is below when using the tool in high locations.**
4. **Hold the tool firmly.**
5. **Keep hands away from rotating parts.**
6. **Do not leave the tool running. Operate the tool only when hand-held.**
7. **Do not touch the drill bit or the workpiece immediately after operation; they may be extremely hot and could burn your skin.**
8. **Some material contains chemicals which may be toxic. Take caution to prevent dust inhalation and skin contact. Follow material supplier safety data.**
9. **If the drill bit cannot be loosened even you open the jaws, use pliers to pull it out.** In such a case, pulling out the drill bit by hand may result in injury by its sharp edge.

Safety instructions when using long drill bits

1. **Never operate at higher speed than the maximum speed rating of the drill bit.** At higher speeds, the bit is likely to bend if allowed to rotate freely without contacting the workpiece, resulting in personal injury.
2. **Always start drilling at low speed and with the bit tip in contact with the workpiece.** At higher speeds, the bit is likely to bend if allowed to rotate freely without contacting the workpiece, resulting in personal injury.
3. **Apply pressure only in direct line with the bit and do not apply excessive pressure.** Bits can bend causing breakage or loss of control, resulting in personal injury.

SAVE THESE INSTRUCTIONS.

⚠WARNING: DO NOT let comfort or familiarity with product (gained from repeated use) replace strict adherence to safety rules for the subject product. MISUSE or failure to follow the safety rules stated in this instruction manual may cause serious personal injury.

Important safety instructions for battery cartridge

1. **Before using battery cartridge, read all instructions and cautionary markings on (1) battery charger, (2) battery, and (3) product using battery.**
2. **Do not disassemble battery cartridge.**

3. If operating time has become excessively shorter, stop operating immediately. It may result in a risk of overheating, possible burns and even an explosion.
4. If electrolyte gets into your eyes, rinse them out with clear water and seek medical attention right away. It may result in loss of your eyesight.
5. Do not short the battery cartridge:
 - (1) Do not touch the terminals with any conductive material.
 - (2) Avoid storing battery cartridge in a container with other metal objects such as nails, coins, etc.
 - (3) Do not expose battery cartridge to water or rain.

A battery short can cause a large current flow, overheating, possible burns and even a breakdown.

6. Do not store and use the tool and battery cartridge in locations where the temperature may reach or exceed 50 °C (122 °F).
7. Do not incinerate the battery cartridge even if it is severely damaged or is completely worn out. The battery cartridge can explode in a fire.
8. Be careful not to drop or strike battery.
9. Do not use a damaged battery.
10. The contained lithium-ion batteries are subject to the Dangerous Goods Legislation requirements.

For commercial transports e.g. by third parties, forwarding agents, special requirement on packaging and labeling must be observed.

For preparation of the item being shipped, consulting an expert for hazardous material is required. Please also observe possibly more detailed national regulations.

Tape or mask off open contacts and pack up the battery in such a manner that it cannot move around in the packaging.

11. When disposing the battery cartridge, remove it from the tool and dispose of it in a safe place. Follow your local regulations relating to disposal of battery.
12. Use the batteries only with the products specified by Makita. Installing the batteries to non-compliant products may result in a fire, excessive heat, explosion, or leak of electrolyte.
13. If the tool is not used for a long period of time, the battery must be removed from the tool.

SAVE THESE INSTRUCTIONS.

CAUTION: Only use genuine Makita batteries. Use of non-genuine Makita batteries, or batteries that have been altered, may result in the battery bursting causing fires, personal injury and damage. It will also void the Makita warranty for the Makita tool and charger.

Tips for maintaining maximum battery life

1. Charge the battery cartridge before completely discharged. Always stop tool operation and charge the battery cartridge when you notice less tool power.
2. Never recharge a fully charged battery cartridge. Overcharging shortens the battery service life.
3. Charge the battery cartridge with room temperature at 10 °C - 40 °C (50 °F - 104 °F). Let a hot battery cartridge cool down before charging it.
4. Charge the battery cartridge if you do not use it for a long period (more than six months).

FUNCTIONAL DESCRIPTION

CAUTION: Always be sure that the tool is switched off and the battery cartridge is removed before adjusting or checking function on the tool.

Installing or removing battery cartridge

CAUTION: Always switch off the tool before installing or removing of the battery cartridge.

CAUTION: Hold the tool and the battery cartridge firmly when installing or removing battery cartridge. Failure to hold the tool and the battery cartridge firmly may cause them to slip off your hands and result in damage to the tool and battery cartridge and a personal injury.

► Fig.1: 1. Red indicator 2. Button 3. Battery cartridge

To remove the battery cartridge, slide it from the tool while sliding the button on the front of the cartridge.

To install the battery cartridge, align the tongue on the battery cartridge with the groove in the housing and slip it into place. Insert it all the way until it locks in place with a little click. If you can see the red indicator on the upper side of the button, it is not locked completely.

CAUTION: Always install the battery cartridge fully until the red indicator cannot be seen. If not, it may accidentally fall out of the tool, causing injury to you or someone around you.

CAUTION: Do not install the battery cartridge forcibly. If the cartridge does not slide in easily, it is not being inserted correctly.

Indicating the remaining battery capacity

Only for battery cartridges with the indicator

► Fig.2: 1. Indicator lamps 2. Check button

Press the check button on the battery cartridge to indicate the remaining battery capacity. The indicator lamps light up for a few seconds.

Indicator lamps			Remaining capacity
Lighted	Off	Blinking	
			75% to 100%
			50% to 75%
			25% to 50%
			0% to 25%
			Charge the battery.
			The battery may have malfunctioned.

NOTE: Depending on the conditions of use and the ambient temperature, the indication may differ slightly from the actual capacity.

Tool / battery protection system

The tool is equipped with a tool/battery protection system. This system automatically cuts off the power to extend tool and battery life. The tool will automatically stop during operation if the tool or battery is placed under one of the following conditions:

Overload protection

This protection works when the tool is operated in a manner that causes it to draw an abnormally high current. In this situation, turn the tool off and stop the application that caused the tool to become overloaded. Then turn the tool on to restart.

Overheat protection

This protection works when the tool or battery is overheated. In this situation, let the tool and battery cool before turning the tool on again.

Overdischarge protection

This protection works when the remaining battery capacity gets low. In this situation, remove the battery from the tool and charge the battery.

Switch action

CAUTION: Before installing the battery cartridge into the tool, always check to see that the switch lever actuates properly and returns to the "OFF" position when released.

CAUTION: Be sure to hold the tool firmly before the tool is switched off.

► Fig.3: 1. Switch lever

To start the tool, simply pull the switch lever. Tool speed is increased by increasing pressure on the switch lever. Release the switch lever to stop.

Lighting up the front lamp

CAUTION: Do not look in the light or see the source of light directly.

► Fig.4: 1. Lamp

Pull the switch lever to light up the lamp. The lamp keeps on lighting while the switch lever is being pulled. The light automatically goes out approximately 10 seconds after the switch lever is released.

NOTE: Use a dry cloth to wipe the dirt off the lens of the lamp. Be careful not to scratch the lens of lamp, or it may lower the illumination.

Reversing switch action

► Fig.5: 1. Reversing switch lever

CAUTION: Always check the direction of rotation before operation.

CAUTION: Use the reversing switch only after the tool comes to a complete stop. Changing the direction of rotation before the tool stops may damage the tool.

CAUTION: When not operating the tool, always set the reversing switch lever to the neutral position.

This tool has a reversing switch to change the direction of rotation. Depress the reversing switch lever from the A side for clockwise rotation or from the B side for counterclockwise rotation.

When the reversing switch lever is in the neutral position, the switch lever cannot be pulled.

ASSEMBLY

CAUTION: Always be sure that the tool is switched off and the battery cartridge is removed before carrying out any work on the tool.

Installing side grip (auxiliary handle)

CAUTION: Always be sure that the side grip is installed securely before operation.

Screw the side grip on the tool securely. The side grip can be installed on either side of the tool, whichever is convenient.

► Fig.6: 1. Side grip

Installing or removing drill bit

Optional accessory

► Fig.7: 1. Chuck key

To install the drill bit, place it in the chuck as far as it will go. Tighten the chuck by hand. Place the chuck key in each of the three holes and tighten clockwise. Be sure to tighten all three chuck holes evenly.

To remove the drill bit, turn the chuck key counterclockwise in just one hole, then loosen the chuck by hand.

After use, return the chuck key to the storage cavity on the tool.

Chuck key holder

► Fig.8: 1. Chuck key holder 2. Screw

To install the chuck key holder, fix it to the convex portion of the tool housing on either side and then secure it with a screw. To remove, loosen the screw and then take it out.

Installing hook

CAUTION: When installing the hook, always secure it with the screw firmly. If not, the hook may come off from the tool and result in the personal injury.

► Fig.9: 1. Groove 2. Hook 3. Screw

The hook is convenient for temporarily hanging the tool. This can be installed on either side of the tool. To install the hook, insert it into a groove in the tool housing on either side and then secure it with a screw. To remove, loosen the screw and then take it out.

OPERATION

CAUTION: Always insert the battery cartridge all the way until it locks in place. If you can see the red indicator on the upper side of the button, it is not locked completely. Insert it fully until the red indicator cannot be seen. If not, it may accidentally fall out of the tool, causing injury to you or someone around you.

CAUTION: When the speed comes down extremely, reduce the load or stop the tool to avoid the tool damage.

CAUTION: Hold the tool firmly with one hand on the gripping part of the tool and the other hand on the side grip when performing the tool.

► Fig.10

Drilling operation

Drilling in wood

When drilling in wood, the best results are obtained with wood drills equipped with a guide screw. The guide screw makes drilling easier by pulling the drill bit into the workpiece.

Drilling in metal

To prevent the drill bit from slipping when starting a hole, make an indentation with a center-punch and hammer at the point to be drilled. Place the point of the drill bit in the indentation and start drilling.

Use a cutting lubricant when drilling metals. The exceptions are iron and brass which should be drilled dry.

CAUTION: Pressing excessively on the tool will not speed up the drilling. In fact, this excessive pressure will only serve to damage the tip of your drill bit, decrease the tool performance and shorten the service life of the tool.

CAUTION: Hold the tool firmly and exert care when the drill bit begins to break through the workpiece. There is a tremendous force exerted on the tool/drill bit at the time of hole break through.

CAUTION: A stuck drill bit can be removed simply by setting the reversing switch to reverse rotation in order to back out. However, the tool may back out abruptly if you do not hold it firmly.

CAUTION: Always secure workpieces in a vise or similar hold-down device.

CAUTION: If the tool is operated continuously until the battery cartridge has discharged, allow the tool to rest for 15 minutes before proceeding with a fresh battery.

MAINTENANCE

⚠ CAUTION: Always be sure that the tool is switched off and the battery cartridge is removed before attempting to perform inspection or maintenance.

NOTICE: Never use gasoline, benzine, thinner, alcohol or the like. Discoloration, deformation or cracks may result.

To maintain product SAFETY and RELIABILITY, repairs, any other maintenance or adjustment should be performed by Makita Authorized or Factory Service Centers, always using Makita replacement parts.

OPTIONAL ACCESSORIES

⚠ CAUTION: These accessories or attachments are recommended for use with your Makita tool specified in this manual. The use of any other accessories or attachments might present a risk of injury to persons. Only use accessory or attachment for its stated purpose.

If you need any assistance for more details regarding these accessories, ask your local Makita Service Center.

- Drill bits
- Chuck key
- Chuck key holder
- Hook
- Plastic carrying case
- Makita genuine battery and charger

NOTE: Some items in the list may be included in the tool package as standard accessories. They may differ from country to country.

规格

型号:		DDA340	DDA350
钻孔能力	钢材	10 mm	
	木材	25 mm	
空载速度		0 - 1,700 r/min	0 - 1,800 r/min
长度		314 mm	
额定电压		D.C. 14.4 V	D.C. 18 V
净重		1.5 - 1.7 kg	1.5 - 1.8 kg

- 生产者保留变更规格不另行通知之权利。
- 规格和电池组可能因销往国家之不同而异。
- 重量因附件（包括电池组）而异。根据EPTA-Procedure 01/2014，最重与最轻的组合见表格。

适用电池组和充电器

电池组	D.C.14.4 V型	BL1415N / BL1430 / BL1430B / BL1440 / BL1450 / BL1460B
	D.C.18 V型	BL1815N / BL1820 / BL1820B / BL1830 / BL1830B / BL1840 / BL1840B / BL1850 / BL1850B / BL1860B
充电器		DC18RC / DC18RD / DC18RE / DC18SD / DC18SE / DC18SF / DC18SH

- 部分以上所列电池组和充电器是否适用视用户所在地区而异。

警告： 请仅使用以上所列电池组和充电器。使用其他类型的电池组或充电器可能会导致人身伤害和 / 或失火。

符号

以下显示本设备可能会使用的符号。在使用工具之前，请务必理解其含义。



阅读使用说明书。



仅限于欧盟国家
请勿将电气设备或电池组与家庭普通废弃物一同丢弃！
请务必遵守欧洲关于废弃电子电气设备、电池和蓄电池以及废弃电池和蓄电池的指令并根据法律法规执行。达到使用寿命的电气设备和电池组必须分类回收至符合环境保护规定的再循环机构。

用途

本工具用于在木材、金属和塑料中钻孔。

安全警告

电动工具通用安全警告

警告： 阅读随电动工具提供的所有安全警告、说明、图示和规定。不遵照以下所列说明会导致电击、着火和 / 或严重伤害。

保存所有警告和说明书以备查阅。

警告中的术语“电动工具”是指市电驱动（有线）电动工具或电池驱动（无线）电动工具。

工作场地的安全

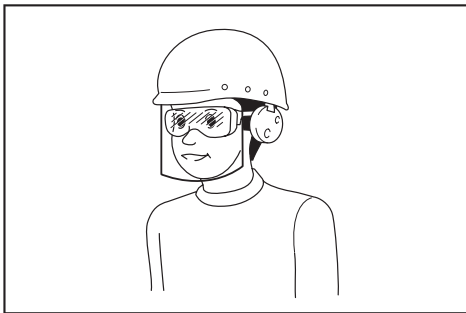
1. 保持工作场地清洁和明亮。杂乱和黑暗的场地会引发事故。
2. 不要在易爆环境，如有易燃液体、气体或粉尘的环境下操作电动工具。电动工具产生的火花会点燃粉尘或气体。
3. 操作电动工具时，远离儿童和旁观者。注意力不集中会使你失去对工具的控制。

电气安全

1. 电动工具插头必须与插座相配。绝不能以任何方式改装插头。需接地的电动工具不能使用任何转换插头。未经改装的插头和相配的插座将降低电击风险。
2. 避免人体接触接地表面，如管道、散热片和冰箱。如果你身体接触接地表面会增加电击风险。
3. 不得将电动工具暴露在雨中或潮湿环境中。水进入电动工具将增加电击风险。
4. 不得滥用软线。绝不能用软线搬运、拉动电动工具或拔出其插头。使软线远离热源、油、锐边或运动部件。受损或缠绕的软线会增加电击风险。
5. 当在户外使用电动工具时，使用适合户外使用的延长线。适合户外使用的电线将降低电击风险。
6. 如果无法避免在潮湿环境中操作电动工具，应使用带有剩余电流装置（RCD）保护的电源。RCD的使用可降低电击风险。
7. 电动工具会产生对用户无害的电磁场（EMF）。但是，起搏器和其他类似医疗设备的用户应在操作本电动工具前咨询其设备的制造商和 / 或医生寻求建议。

人身安全

1. 保持警觉，当操作电动工具时关注所从事的操作并保持清醒。当你感到疲倦，或在有药物、酒精或治疗反应时，不要操作电动工具。在操作电动工具时瞬间的疏忽会导致严重人身伤害。
2. 使用个人防护装置。始终佩戴护目镜。防护装置，诸如适当条件下使用防尘面具、防滑安全鞋、安全帽、听力防护等装置能减少人身伤害。
3. 防止意外起动。在连接电源和/或电池包、拿起或搬运工具前确保开关处于关闭位置。手指放在开关上搬运工具或开关处于接通时通电会导致危险。
4. 在电动工具接通之前，拿掉所有调节钥匙或扳手。遗留在电动工具旋转零件上的扳手或钥匙会导致人身伤害。
5. 手不要过分伸展。时刻注意立足点和身体平衡。这样能在意外情况下能更好地控制住电动工具。
6. 着装适当。不要穿宽松衣服或佩戴饰品。让你的头发和衣服远离运动部件。宽松衣服、佩饰或长发可能会卷入运动部件。
7. 如果提供了与排屑、集尘设备连接用的装置，要确保其连接完好且使用得当。使用集尘装置可降低尘屑引起的危险。
8. 不要因为频繁使用工具而产生的熟悉感而掉以轻心，忽视工具的安全准则。某个粗心的动作可能在瞬间导致严重的伤害。
9. 使用电动工具时请始终佩戴护目镜以免伤害眼睛。护目镜须符合美国ANSI Z87.1、欧洲EN 166或者澳大利亚 / 新西兰的AS/NZS 1336的规定。在澳大利亚 / 新西兰，法律要求佩戴面罩保护脸部。



雇主有责任监督工具操作者和其他近工作区域人员佩戴合适的安全防护设备。

电动工具使用和注意事项

1. 不要勉强使用电动工具，根据用途使用合适的电动工具。选用合适的按照额定值设计的电动工具会使你工作更有效、更安全。
2. 如果开关不能接通或关断电源，则不能使用该电动工具。不能通过开关来控制电动工具是危险的且必须进行修理。
3. 在进行任何调节、更换附件或贮存电动工具之前，必须从电源上拔掉插头和/或卸下电池包（如可拆卸）。这种防护性的安全措施降低了电动工具意外起动的风险。
4. 将闲置不用的电动工具贮存在儿童所及范围之外，并且不允许不熟悉电动工具和不了解这些说明的人操作电动工具。电动工具在未经培训的使用者手中是危险的。
5. 维护电动工具及其附件。检查运动部件是否调整到位或卡住，检查零件破损情况和影响电动工具运行的其他状况。如有损坏，应在使用前修理好电动工具。许多事故是由维护不良的电动工具引发的。
6. 保持切削刀具锋利和清洁。维护良好地有锋利切削刃的刀具不易卡住而且容易控制。
7. 按照使用说明书，并考虑作业条件和要进行的作业来选择电动工具、附件和工具的刀头等。将电动工具用于那些与其用途不符的操作可能会导致危险情况。
8. 保持手柄和握持表面干燥、清洁，不得沾有油脂。在意外的情况下，湿滑的手柄不能保证握持的安全和对工具的控制。
9. 使用本工具时，请勿佩戴可能会缠绕的布质工作手套。布质工作手套卷入移动部件可能会造成人身伤害。

电池式工具使用和注意事项

1. 仅使用生产者规定的充电器充电。将适用于某种电池包的充电器用到其他电池包时可能会发生着火危险。
2. 仅使用配有专用电池包的电动工具。使用其他电池包可能会产生伤害和着火危险。
3. 当电池包不用时，将它远离其他金属物体，例如回形针、硬币、钥匙、钉子、螺钉或其他小金属物体，以防电池包一端与另一端连接。电池组端部短路可能会引起燃烧或着火。

4. 在滥用条件下，液体可能会从电池组中溅出；应避免接触。如果意外碰到液体，用水冲洗。如果液体碰到了眼睛，还应寻求医疗帮助。从电池中溅出的液体可能会发生腐蚀或燃烧。
5. 不要使用损坏或改装过的电池包或工具。损坏或改装过的电池组可能呈现无法预测的结果，导致着火、爆炸或伤害。
6. 不要将电池包暴露于火或高温中。电池包暴露于火或高于130℃的高温中可能导致爆炸。
7. 遵循所有充电说明。不要在说明书中指定的温度范围之外给电池包或电动工具充电。不正确或在指定的温度范围外充电可能会损坏电池和增加着火的风险。

维修

1. 让专业维修人员使用相同的备件维修电动工具。这将保证所维修的电动工具的安全。
2. 决不能维修损坏的电池包。电池包仅能由生产者或其授权的维修服务商进行维修。
3. 上润滑油及更换附件时请遵循本说明书指示。

充电式电钻使用安全警告

所有操作的安全注意事项

1. 使用辅助手柄。失控会造成人身伤害。
2. 当进行作业时切割附件可能会接触到隐藏的电线，请握住电动工具的绝缘抓握表面。切割附件接触到“带电”的电线时，电动工具上暴露的金属部分可能也会“带电”，并使操作者触电。
3. 请务必确保立足稳固。在高处使用工具时确保下方无人。
4. 请牢握本工具。
5. 手应远离旋转的部件。
6. 运行中的工具不可离手放置。只可在手握工具的情况下操作工具。
7. 操作之后，请勿立刻触摸钻头或工件，因为它们可能会非常烫而导致烫伤皮肤。
8. 某些材料含有有毒化学物质。小心不要吸入粉尘，并避免皮肤接触。遵循材料供应商的安全提示。
9. 如果打开卡爪依然无法拧松钻头，请使用虎钳将其拉出。在这种情况下，徒手拉出钻头会因尖锐的边缘受伤。

使用长钻头时的安全注意事项

1. 操作时的速度切勿高于钻头的额定速度。在高速状态下，如果让钻头不接触工件空转，则钻头可能会弯曲，造成人身伤害。
2. 务必以低速开始钻孔，并将钻头的端部与工件接触。在高速状态下，如果让钻头不接触工件空转，则钻头可能会弯曲，造成人身伤害。
3. 只在与钻头对齐的位置施加压力，切勿过度施压。否则钻头可能弯曲导致破损或失控，造成人身伤害。

请保留此说明书。

警告： 请勿为图方便或因对产品足够熟悉（由于重复使用而获得的经验）而不严格遵循相关产品安全规则。使用不当或不遵循使用说明书中的安全规则会导致严重的人身伤害。

电池组的重要安全注意事项

1. 在使用电池组之前，请仔细通读所有的说明以及（1）电池充电器，（2）电池，以及（3）使用电池的产品上的警告标记。
2. 请勿拆解电池组。
3. 如果机器运行时间变得过短，请立即停止使用。否则可能会导致过热、起火甚至爆炸。
4. 如果电解液进入您的眼睛，用清水将其冲洗干净并立即就医。否则可能会导致视力受损。
5. 请勿使电池组短路：
 - （1）请勿使任何导电材料碰触到端子。
 - （2）避免将电池组与其他金属物品如钉子、硬币等放置在同一容器内。
 - （3）请勿将电池组置于水中或使其淋雨。电池短路将产生大的电流，导致过热，并可能导致起火甚至击穿。
6. 请勿在温度可能达到或超过50°C (122°F) 的场所存放以及使用工具和电池组。
7. 即使电池组已经严重损坏或完全磨损，也请勿焚烧电池组。电池组会在火中爆炸。
8. 请小心，勿撞击电池或使其掉落。
9. 请勿使用损坏的电池。

10. 本工具附带的锂离子电池需符合危险品法规要求。

第三方或转运代理等进行商业运输时，应遵循包装和标识方面的特殊要求。有关运输项目的准备作业，咨询危险品方面的专业人士。同时，请遵守可能更为详尽的国家法规。

请使用胶带保护且勿遮掩表面的联络信息，并牢固封装电池，使电池在包装内不可动。

11. 丢弃电池组时，需将其从工具上卸下并在安全地带进行处理。关于如何处理废弃的电池，请遵循当地法规。
12. 仅将电池用于Makita（牧田）指定的产品。将电池安装至不兼容的产品会导致起火、过热、爆炸或电解液泄漏。
13. 如长时间未使用工具，必须将电池从工具内取出。

请保留此说明书。

小心： 请仅使用Makita（牧田）原装电池。使用非Makita（牧田）原装电池或经过改装的电池可能会导致电池爆炸，从而造成火灾、人身伤害或物品受损。同时也会导致牧田工具和充电器的牧田保修服务失效。

保持电池最大使用寿命的提示

1. 在电池组电量完全耗尽前及时充电。发现工具电量低时，请停止工具操作，并给电池组充电。
2. 请勿对已充满电的电池组重新充电。过度充电将缩短电池的使用寿命。
3. 请在10°C - 40°C (50°F - 104°F) 的室温条件下给电池组充电。请在灼热的电池组冷却后再充电。
4. 如果电池组长时间（超过六个月）未使用，请给其充电。

功能描述

⚠小心： 调节或检查工具功能之前，请务必关闭工具的电源并取出电池组。

安装或拆卸电池组

⚠小心： 安装或拆卸电池组之前，请务必关闭工具电源。

⚠小心： 安装或拆卸电池组时请握紧工具和电池组。否则它们可能从您的手中滑落，导致工具和电池组受损，甚至造成人身伤害。

► **图片1：** 1. 红色指示灯 2. 按钮 3. 电池组

拆卸电池组时，按下电池组前侧的按钮，同时将电池组从工具中抽出。

安装电池组时，要将电池组上的舌簧与外罩上的凹槽对齐，然后推滑到位。将其完全插入到位，直到电池组被锁定并发出卡嗒声为止。如果插入后仍能看到按钮上侧的红色指示灯，则说明电池组未完全锁紧。

⚠小心： 务必完全装入电池组，直至看不见红色指示灯。否则它可能会意外从工具中脱落，从而造成自身或他人受伤。

⚠小心： 请勿强行安装电池组。如果电池组难以插入，可能是插入方法不当。

显示电池的剩余电量

仅限带指示灯的电池组

► **图片2：** 1. 指示灯 2. CHECK（查看）按钮

按电池组上的CHECK（查看）按钮可显示电池剩余电量。指示灯将亮起数秒。

指示灯			剩余电量
■ 点亮	□ 熄灭	▧ 闪烁	
■ ■ ■ ■			75%至100%
■ ■ ■ □			50%至75%
■ ■ □ □			25%至50%
■ □ □ □			0%至25%
▧ □ □ □			给电池充电。
■ ■ □ □	↑ □ □ ■ ■		电池可能出现故障。

注： 在不同的使用条件及环境温度下，指示灯所示电量可能与实际情况略有不同。

工具 / 电池保护系统

本工具配备有工具 / 电池保护系统。该系统可自动切断电源以延长工具和电池寿命。作业时，如果工具或电池处于以下情况，工具将会自动停止运转。

过载保护

以导致异常高电流的方式操作工具时，此保护功能将启动。在这种情况下，请关闭工具并停止导致工具过载的应用程序。然后开启工具重新启动。

过热保护

当工具或电池过热时，将启动此保护功能。在这种情况下，请待工具和电池冷却后再开启工具。

过放电保护

当剩余电池电量变低时，将启动此保护功能。此时，请取出工具中的电池并予以充电。

开关操作

⚠️小心：在将电池组安装至工具之前，请务必检查开关柄是否能扣动自如，松开时能否退回至“关闭”位置。

⚠️小心：工具已关闭前请务必握紧工具。

▶ 图片3: 1. 开关柄

启动工具时，只要扣动开关柄即可。随着在开关柄上施加压力的增大，工具速度会提高。释放开关柄可使工具停止。

点亮前灯

⚠️小心：请勿直视灯光或光源。

▶ 图片4: 1. 照明灯

扣动开关柄点亮照明灯。在扣动开关柄期间此灯保持亮起。释放开关扳机约10秒后，灯自动熄灭。

注：请使用干布擦拭灯头灰。注意不要刮花灯头，否则会降低亮度。

反转开关的操作

▶ 图片5: 1. 反转切换柄

⚠️小心：操作前请务必确认工具的旋转方向。

⚠️小心：只有当工具完全停止转动后方可使用反转开关。如果在工具停止之前改变旋转方向，可能会损坏工具。

⚠️小心：不使用工具时，请务必将反转切换柄置于空档位置。

本工具设有反转开关，可改变旋转方向。自A侧按压反转切换柄可进行顺时针方向旋转；自B侧按压则进行逆时针方向旋转。当反转切换柄在中间位置时，无法扣动开关柄。

装配

⚠️小心：对工具进行任何装配操作前，请务必关闭工具电源，并取出电池组。

安装侧把手（辅助手柄）

⚠️小心：在进行操作之前，请务必将侧柄牢固地安装在工具上。

将侧把手牢固安装在工具上。根据实际使用的方便，可以将侧把手安装在工具的任一側。

▶ 图片6: 1. 侧把手

安装或拆卸钻头

选购附件

▶ 图片7: 1. 卡盘键

安装钻头时，应将钻头装入钻机卡盘，尽量将其推到底。用手旋紧卡盘。将卡盘键依次放入三个孔中并顺时针旋紧。请务必均匀旋紧三个卡盘孔。

拆下钻头时，将卡盘键插入一个孔中并逆时针旋转，然后用手拧松卡盘。

使用后，请将卡盘键放回至工具上的存储盒内。

卡盘键盒

▶ 图片8: 1. 卡盘键盒 2. 螺丝

安装卡盘键盒时，将其固定在工具外壳上任意一侧的突起部分，然后用螺丝加以紧固。要拆卸挂钩，请将螺丝拧松，然后将其取出。

安装挂钩

⚠️小心：安装挂钩时，务必使用螺丝将其固定。否则挂钩可能会脱离工具，导致人身伤害。

▶ 图片9: 1. 凹槽 2. 挂钩 3. 螺丝

挂钩便于临时悬挂工具。可安装在工具的任一側。要安装挂钩，请将其插入工具外壳上任一側的凹槽中，然后用螺丝加以紧固。要拆卸挂钩，请将螺丝拧松，然后将其取出。

操作

⚠️小心： 插入电池组时请务必使其完全锁紧到位。如果插入后仍能看到按钮上侧的红色指示灯，则说明电池组未完全锁紧。此时，须将电池适配器完全插入，直到红色指示灯不亮为止。否则它可能会意外从工具中脱落，从而造成自身或他人受伤。

⚠️小心： 如果速度极速降低，请减小负荷或停止工具以避免损坏工具。

⚠️小心： 进行操作时，一手握住工具的把手部分，再用另一只手握住工具的侧把手。

▶ 图片10

钻孔操作

在木材上钻孔

在木材上钻孔时，使用带有前导螺丝的木材用钻头将获得最佳效果。这种前导螺丝可令钻孔操作更加轻松。

在金属上钻孔

开始钻孔时，为了防止钻头打滑，可用一尖冲头和锤子金属板上想要钻孔的地方打一痕迹。将钻头尖端放入凹痕，然后开始钻孔。在金属上钻孔时请使用切割油。但在铁和铜材料上钻孔时应干钻。

⚠️小心： 过分用力按压工具并不会提高钻孔效率。事实上，过大的压力只会损坏钻头尖，降低工具性能，缩短工具使用寿命。

⚠️小心： 钻头即将钻穿工件时需握紧工具，注意力集中。钻穿时工具 / 钻头会受到极大的突然扭力。

⚠️小心： 取出卡住的钻头时，只需将反转开关设为反向旋转便可退出工具。但如果不紧紧握住工具，工具可能突然退出。

⚠️小心： 请务必用虎钳或类似夹紧装置固定工件。

⚠️小心： 如果工具连续工作到电池组电量耗尽，则应暂停使用工具15分钟，再用充电后的电池继续操作。

保养

⚠️小心： 检查或保养工具之前，请务必关闭工具电源并取出电池组。

注意： 切勿使用汽油、苯、稀释剂、酒精或类似物品清洁工具。否则可能会导致工具变色、变形或出现裂缝。

为了保证产品的安全与可靠性，维修、任何其他维修保养或调节需由Makita（牧田）授权的或工厂维修服务中心完成。务必使用Makita（牧田）的替换部件。

选购附件

⚠️小心： 这些附件或装置专用于本说明书所列的Makita（牧田）工具。如使用其他厂牌附件或装置，可能导致人身伤害。仅可将附件或装置用于规定目的。

如果您需要了解更多关于这些选购附件的信息，请咨询当地的Makita（牧田）维修服务中心。

- 钻头
- 卡盘键
- 卡盘键盒
- 挂钩
- 塑料携带箱
- Makita（牧田）原装电池和充电器

注： 本列表中的一些部件可能作为标准配件包含于工具包装内。它们可能因销往国家之不同而异。

SPEKIFIKASI

Model:		DDA340	DDA350
Kapasitas pengeboran	Baja	10 mm	
	Kayu	25 mm	
Kecepatan tanpa beban		0 - 1.700 min ⁻¹	0 - 1.800 min ⁻¹
Panjang keseluruhan		314 mm	
Tegangan terukur		D.C. 14,4 V	D.C. 18 V
Berat bersih		1,5 - 1,7 kg	1,5 - 1,8 kg

- Karena kesinambungan program penelitian dan pengembangan kami, spesifikasi yang disebutkan di sini dapat berubah tanpa pemberitahuan.
- Spesifikasi dan kartrid baterai dapat berbeda dari satu negara ke negara lainnya.
- Berat alat mungkin berbeda tergantung perangkat tambahan yang dipasang, termasuk kartrid baterai. Kombinasi alat terberat dan teringan, sesuai Prosedur EPTA 01/2014, ditunjukkan pada tabel.

Kartrid dan pengisi daya baterai yang dapat digunakan

Kartrid baterai	Model D.C.14,4 V	BL1415N / BL1430 / BL1430B / BL1440 / BL1450 / BL1460B
	Model D.C.18 V	BL1815N / BL1820 / BL1820B / BL1830 / BL1830B / BL1840 / BL1840B / BL1850 / BL1850B / BL1860B
Pengisi daya	DC18RC / DC18RD / DC18RE / DC18SD / DC18SE / DC18SF / DC18SH	

- Beberapa kartrid baterai dan pengisi daya yang tercantum di atas mungkin tidak tersedia, tergantung wilayah tempat tinggal Anda.

⚠️ PERINGATAN: Hanya gunakan kartrid dan pengisi daya baterai yang tercantum di atas. Penggunaan kartrid dan pengisi daya baterai lain dapat menimbulkan risiko cedera dan/atau kebakaran.

Simbol

Berikut ini adalah simbol-simbol yang dapat digunakan pada peralatan ini. Pastikan Anda memahami arti masing-masing simbol sebelum menggunakan peralatan.



Baca petunjuk penggunaan.



Ni-MH
Li-Ion

Hanya untuk negara-negara UE
Jangan membuang peralatan listrik atau paket baterai bersama-sama dengan bahan limbah rumah tangga!
Dengan memerhatikan Petunjuk Eropa, tentang Limbah Peralatan Listrik dan Elektronik serta Baterai dan Akumulator serta Limbah Baterai dan Akumulator dan pelaksanaannya sesuai dengan ketentuan hukum nasional, peralatan listrik dan baterai dan paket baterai yang telah habis umur pakainya harus dikumpulkan secara terpisah dan dikembalikan ke fasilitas daur ulang yang kompatibel secara lingkungan.

Penggunaan

Mesin ini digunakan untuk mengebor kayu, logam, dan plastik.

PERINGATAN KESELAMATAN

Peringatan keselamatan umum mesin listrik

⚠️ PERINGATAN: Bacalah semua peringatan keselamatan, petunjuk, ilustrasi dan spesifikasi yang disertakan bersama mesin listrik ini. Kelalaian untuk mematuhi semua petunjuk yang tercantum di bawah ini dapat menyebabkan sengatan listrik, kebakaran dan/atau cedera serius.

Simpanlah semua peringatan dan petunjuk untuk acuan di masa depan.

Istilah "mesin listrik" dalam semua peringatan mengacu pada mesin listrik yang dijalankan dengan sumber listrik jala-jala (berkabel) atau baterai (tanpa kabel).

Keselamatan tempat kerja

1. **Jaga tempat kerja selalu bersih dan berpenerangan cukup.** Tempat kerja yang berantakan dan gelap mengundang kecelakaan.

2. **Jangan gunakan mesin listrik dalam lingkungan yang mudah meledak, misalnya jika ada cairan, gas, atau debu yang mudah menyala.** Mesin listrik menimbulkan bunga api yang dapat menyalakan debu atau uap tersebut.
3. **Jauhkan anak-anak dan orang lain saat menggunakan mesin listrik.** Bila perhatian terpecah, anda dapat kehilangan kendali.

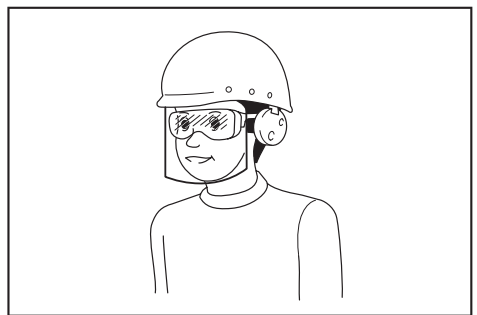
Keamanan Kelistrikan

1. **Steker mesin listrik harus cocok dengan stopkontak. Jangan sekali-kali mengubah steker dengan cara apa pun. Jangan menggunakan steker adaptor dengan mesin listrik terbumi (dibumikan).** Steker yang tidak diubah dan stopkontak yang cocok akan mengurangi risiko sengatan listrik.
2. **Hindari sentuhan tubuh dengan permukaan terbumi atau yang dibumikan seperti pipa, radiator, kompor, dan kulkas.** Risiko sengatan listrik bertambah jika tubuh Anda terbumikan atau dibumikan.
3. **Jangan membiarkan mesin listrik kehujanan atau kebasahan.** Air yang masuk ke dalam mesin listrik akan meningkatkan risiko sengatan listrik.
4. **Jangan menyalahgunakan kabel. Jangan sekali-kali menggunakan kabel untuk membawa, menarik, atau mencabut mesin listrik dari stopkontak. Jauhkan kabel dari panas, minyak, tepian tajam, atau bagian yang bergerak.** Kabel yang rusak atau kusut memperbesar risiko sengatan listrik.
5. **Bila menggunakan mesin listrik di luar ruangan, gunakan kabel ekstensi yang sesuai untuk penggunaan di luar ruangan.** Penggunaan kabel yang sesuai untuk penggunaan luar ruangan mengurangi risiko sengatan listrik.
6. **Jika mengoperasikan mesin listrik di lokasi lembap tidak terhindarkan, gunakan pasokan daya yang dilindungi peranti imbasan arus (residual current device - RCD).** Penggunaan RCD mengurangi risiko sengatan listrik.
7. **Mesin listrik dapat menghasilkan medan magnet (EMF) yang tidak berbahaya bagi pengguna.** Namun, pengguna alat pacu jantung atau peralatan medis sejenisnya harus berkonsultasi dengan produsen peralatan tersebut dan/atau dokter mereka sebelum mengoperasikan mesin listrik ini.

Keselamatan Diri

1. **Jaga kewaspadaan, perhatikan pekerjaan Anda dan gunakan akal sehat bila menggunakan mesin listrik. Jangan menggunakan mesin listrik saat Anda lelah atau di bawah pengaruh obat bius, alkohol, atau obat.** Sekejap saja lalai saat menggunakan mesin listrik dapat menyebabkan cedera badan serius.
2. **Gunakan alat pelindung diri. Selalu gunakan pelindung mata.** Peralatan pelindung seperti masker debu, sepatu pengaman anti-selip, helm pengaman, atau pelindung telinga yang digunakan untuk kondisi yang sesuai akan mengurangi risiko cedera badan.

3. **Cegah penyalaan yang tidak disengaja. Pastikan bahwa sakelar berada dalam posisi mati (off) sebelum menghubungkan mesin ke sumber daya dan/atau paket baterai, atau mengangkat atau membawanya.** Membawa mesin listrik dengan jari Anda pada sakelarnya atau mengalirkan listrik pada mesin listrik yang sakelarnya hidup (on) akan mengundang kecelakaan.
4. **Lepaskan kunci-kunci penyetel sebelum menghidupkan mesin listrik.** Kunci-kunci yang masih terpasang pada bagian mesin listrik yang berputar dapat menyebabkan cedera.
5. **Jangan meraih terlalu jauh. Jagalah pijakan dan keseimbangan sepanjang waktu.** Hal ini memungkinkan kendali yang lebih baik atas mesin listrik dalam situasi yang tidak diharapkan.
6. **Kenakan pakaian yang memadai. Jangan memakai pakaian yang longgar atau perhiasan. Jaga jarak antara rambut dan pakaian Anda dengan komponen mesin yang bergerak.** Pakaian yang longgar, perhiasan, atau rambut yang panjang dapat tersangkut pada komponen yang bergerak.
7. **Jika tersedia fasilitas untuk menghisap dan mengumpulkan debu, pastikan fasilitas tersebut terhubung listrik dan digunakan dengan baik.** Penggunaan pembersih debu dapat mengurangi bahaya yang terkait dengan debu.
8. **Jangan sampai Anda lengah dan mengabaikan prinsip keselamatan mesin ini hanya karena sudah sering mengoperasikannya dan sudah merasa terbiasa.** Tindakan yang lalai dapat menyebabkan cedera berat dalam sepersekian detik saja.
9. **Selalu kenakan kacamata pelindung untuk melindungi mata dari cedera saat menggunakan mesin listrik. Kacamata harus sesuai dengan ANSI Z87.1 di Amerika Serikat, EN 166 di Eropa, atau AS/NZS 1336 di Australia/Selandia Baru. Di Australia/Selandia Baru, secara hukum Anda juga diwajibkan mengenakan pelindung wajah untuk melindungi wajah Anda.**



Menjadi tanggung jawab atasan untuk menerapkan penggunaan alat pelindung keselamatan yang tepat bagi operator mesin dan orang lain yang berada di area kerja saat itu.

Penggunaan dan pemeliharaan mesin listrik

1. **Jangan memaksa mesin listrik. Gunakan mesin listrik yang tepat untuk keperluan Anda.** Mesin listrik yang tepat akan menuntaskan pekerjaan dengan lebih baik dan aman pada kecepatan sesuai rancangannya.
2. **Jangan gunakan mesin listrik jika sakelar tidak dapat menyala dan memikannya.** Mesin listrik yang tidak dapat dikendalikan dengan sakelarnya adalah berbahaya dan harus diperbaiki.
3. **Cabut steker dari sumber listrik dan/atau lepas paket baterai, jika dapat dilepas, dari mesin listrik sebelum melakukan penyetulan apa pun, mengganti aksesoris, atau menyimpan mesin listrik.** Langkah keselamatan preventif tersebut mengurangi risiko hidupnya mesin secara tak sengaja.
4. **Simpan mesin listrik jauh dari jangkauan anak-anak dan jangan biarkan orang yang tidak paham mengenai mesin listrik tersebut atau petunjuk ini menggunakan mesin listrik.** Mesin listrik sangat berbahaya di tangan pengguna yang tak terlatih.
5. **Rawatlah mesin listrik dan aksesoris. Periksa apakah ada komponen bergerak yang tidak lurus atau macet, komponen yang pecah, dan kondisi-kondisi lain yang dapat memengaruhi pengoperasian mesin listrik. Jika rusak, perbaiki mesin listrik terlebih dahulu sebelum digunakan.** Banyak kecelakaan disebabkan oleh kurangnya pemeliharaan mesin listrik.
6. **Jaga agar mesin pemotong tetap tajam dan bersih.** Mesin pemotong yang terawat baik dengan mata pemotong yang tajam tidak mudah macet dan lebih mudah dikendalikan.
7. **Gunakan mesin listrik, aksesoris, dan mata mesin, dll. sesuai dengan petunjuk ini, dengan memperhitungkan kondisi kerja dan jenis pekerjaan yang dilakukan.** Penggunaan mesin listrik untuk penggunaan yang lain dari peruntukan dapat menimbulkan situasi berbahaya.
8. **Jagalah agar gagang dan permukaan pegangan tetap kering, bersih, dan bebas dari minyak dan pelumas.** Gagang dan permukaan pegangan yang licin tidak mendukung keamanan penanganan dan pengendalian mesin dalam situasi-situasi tak terduga.
9. **Ketika menggunakan mesin, jangan menggunakan sarung tangan kain yang dapat tersangkut.** Sarung tangan kain yang tersangkut pada komponen bergerak dapat mengakibatkan cedera pada pengguna.

Penggunaan dan pemeliharaan mesin bertenaga baterai

1. **Isi ulang baterai hanya dengan pengisi daya yang ditentukan oleh pabrikan.** Pengisi daya yang cocok untuk satu jenis paket baterai dapat menimbulkan risiko kebakaran ketika digunakan untuk paket baterai yang lain.
2. **Gunakan mesin listrik hanya dengan paket baterai yang telah ditentukan secara khusus.** Penggunaan paket baterai lain dapat menimbulkan risiko cedera dan kebakaran.

3. **Ketika paket baterai tidak digunakan, jauhkan dari benda logam lain, seperti penjepit kertas, uang logam, kunci, paku, sekrup atau benda logam kecil lainnya, yang dapat menghubungkan satu terminal ke terminal lain.** Hubungan singkat terminal baterai dapat menyebabkan luka bakar atau kebakaran.
4. **Pemakaian yang salah, dapat menyebabkan keluarnya cairan dari baterai; hindari kontak. Jika terjadi kontak secara tidak sengaja, bilas dengan air. Jika cairan mengenai mata, cari bantuan medis.** Cairan yang keluar dari baterai bisa menyebabkan iritasi atau luka bakar.
5. **Jangan menggunakan paket baterai atau mesin yang sudah rusak atau telah diubah.** Baterai yang rusak atau telah diubah dapat menyebabkan hal-hal yang tidak dapat diprediksi yang dapat menyebabkan kebakaran, ledakan atau risiko cedera.
6. **Jangan membiarkan paket baterai atau mesin dekat dengan api atau suhu yang berlebihan.** Paparan api atau suhu di atas 130 °C dapat menyebabkan ledakan.
7. **Ikuti semua petunjuk pengisian daya dan jangan mengisi daya paket baterai atau mesin di luar rentang suhu yang ditentukan di panduan.** Mengisi daya secara tidak tepat atau pada suhu di luar rentang yang ditentukan dapat merusak baterai dan meningkatkan risiko kebakaran.

Servis

1. **Berikan mesin listrik untuk diperbaiki hanya kepada oleh teknisi yang berkualifikasi dengan menggunakan hanya suku cadang pengganti yang serupa.** Hal ini akan menjamin terjaganya keamanan mesin listrik.
2. **Jangan pernah memperbaiki paket baterai yang sudah rusak.** Perbaikan paket baterai harus dilakukan hanya oleh produsen atau penyedia servis resmi.
3. **Patuhi petunjuk pelumasan dan penggantian aksesoris.**

Peringatan keselamatan bor tanpa kabel

Petunjuk keselamatan untuk semua pengoperasian

1. **Gunakan gagang tambahan.** Kehilangan kendali dapat menyebabkan cedera.
2. **Pegang mesin listrik pada permukaan genggam yang terisolasi saat melakukan pekerjaan bila aksesoris pemotong mungkin bersentuhan dengan kawat yang tersembunyi.** Aksesoris pemotong yang menyentuh kawat yang "aktif" dapat menyebabkan bagian logam pada mesin teraliri arus listrik "aktif" dan menyengat pengguna.
3. **Selalu pastikan Anda memiliki pijakan kuat. Pastikan tidak ada orang di bawah Anda ketika menggunakan mesin di lokasi tinggi.**
4. **Pegang mesin kuat-kuat.**
5. **Jauhkan tangan dari bagian yang berputar.**

6. Jangan tinggalkan mesin dalam keadaan hidup. Jalankan mesin hanya ketika digenggam tangan.
7. Jangan menyentuh mata bor atau benda kerja segera setelah pengoperasian; suhunya mungkin masih sangat panas dan dapat membakar kulit Anda.
8. Bahan tertentu mengandung zat kimia yang mungkin beracun. Hindari menghirup debu dan persentuhan dengan kulit. Ikuti data keselamatan bahan dari pemasok.
9. Jika mata bor tidak dapat dikendurkan bahkan saat Anda membuka rahang, gunakan tang untuk menariknya keluar. Dalam kasus semacam itu, menarik mata bor dengan tangan dapat mengakibatkan cedera dikarenakan ujungnya yang tajam.

Petunjuk keselamatan saat menggunakan mata bor panjang

1. Jangan sekali-kali mengoperasikan dengan kecepatan yang melebihi nilai kecepatan maksimum mata bor. Pada kecepatan yang lebih tinggi, mata bor kemungkinan dapat bengkok jika dibiarkan berputar bebas tanpa menyentuh benda kerja, dan dapat mengakibatkan cedera.
2. Selalu gunakan kecepatan rendah saat mulai mengebor dan pastikan ujung mata bor menyentuh benda kerja. Pada kecepatan yang lebih tinggi, mata bor kemungkinan dapat bengkok jika dibiarkan berputar bebas tanpa menyentuh benda kerja, dan dapat mengakibatkan cedera.
3. Berikan tekanan hanya di garis langsung dengan mata bor dan jangan memberi tekanan berlebihan. Mata bor dapat bengkok dan menyebabkan kerusakan atau hilangnya kendali yang mengakibatkan cedera.

SIMPAN PETUNJUK INI.

⚠️ PERINGATAN: JANGAN biarkan kenyamanan atau terbiasanya Anda dengan produk (karena penggunaan berulang) mengurangi kepatuhan yang ketat terhadap aturan keselamatan untuk produk yang terkait. PENYALAHGUNAAN atau kelalaian mematuhi kaidah keselamatan yang tertera dalam petunjuk ini dapat menyebabkan cedera badan serius.

Petunjuk keselamatan penting untuk kartrid baterai

1. Sebelum menggunakan kartrid baterai, bacalah semua petunjuk dan penandaan pada (1) pengisi daya baterai, (2) baterai, dan (3) produk yang menggunakan baterai.
2. Jangan membongkar kartrid baterai.
3. Jika waktu beroperasinya menjadi sangat singkat, segera hentikan penggunaan. Hal tersebut dapat menimbulkan risiko panas berlebih, kemungkinan mengalami luka bakar atau bahkan terjadi ledakan.
4. Jika elektrolit mengenai mata Anda, basuh dengan air bersih dan segera cari pertolongan medis. Hal tersebut dapat mengakibatkan hilangnya kemampuan penglihatan Anda.

5. Jangan menghubungkan terminal kartrid baterai:
 - (1) Jangan menyentuh terminal dengan bahan penghantar listrik apa pun.
 - (2) Hindari menyimpan kartrid baterai pada wadah yang berisi benda logam lain seperti paku, uang logam, dsb.
 - (3) Jangan membiarkan baterai terkena air atau kehujanan.

Hubungan singkat baterai dapat menyebabkan aliran arus listrik yang besar, panas berlebih, kemungkinan mengalami luka bakar dan bahkan kerusakan pada baterai.
6. Jangan menyimpan dan menggunakan mesin dan kartrid baterai pada lokasi dengan suhu yang bisa mencapai atau melebihi 50 °C (122 °F).

7. Jangan membuang kartrid baterai di tempat pembakaran sampah walaupun benar-benar rusak atau tidak bisa digunakan sama sekali. Kartrid baterai bisa meledak jika terbakar.
8. Berhati-hatilah jangan sampai baterai jatuh atau terbentur.
9. Jangan menggunakan baterai yang rusak.
10. **Baterai litium-ion yang disertakan sesuai dengan persyaratan Perundangan Makanan Berbahaya.**

Harus ada pengawasan untuk pengangkutan komersial misalnya oleh pihak ketiga, ekspediter, persyaratan khusus terhadap pengemasan dan pelabelan.

Diperlukan adanya konsultasi dengan ahli mengenai material berbahaya untuk persiapan barang yang akan dikirimkan. Perhatikan pula peraturan nasional yang lebih terperinci yang mungkin ada.

Beri perekat atau tutupi bagian yang terbuka dan kemasan baterai dengan cara yang tidak akan menimbulkan pergeseran dalam pengemasan.
11. Ketika membuang kartrid baterai, lepaskan dari mesin dan buang ke tempat yang aman. Patuhi peraturan setempat yang berkaitan dengan pembuangan baterai.
12. Gunakan baterai hanya dengan produk yang ditentukan oleh Makita. Memasang baterai pada produk yang tidak sesuai dapat menyebabkan kebakaran, kelebihan panas, ledakan, atau kebocoran elektrolit.
13. Jika mesin tidak digunakan dalam jangka waktu yang lama, baterai harus dilepas dari mesin.

SIMPAN PETUNJUK INI.

⚠️ PERHATIAN: Gunakan baterai asli Makita. Penggunaan baterai Makita yang tidak asli, atau baterai yang sudah diubah, akan mengakibatkan baterai mudah terbakar, cedera dan kerusakan. Akan menghilangkan garansi Makita pada pengisi daya dan alat Makita.

Tip untuk menjaga agar umur pemakaian baterai maksimum

1. Isi ulang kartrid baterai sebelum habis sama sekali. Selalu hentikan penggunaan mesin dan ganti kartrid baterai jika Anda melihat bahwa mesin kurang tenaga.
2. Jangan pernah mengisi ulang kartrid baterai yang sudah diisi penuh. Pengisian ulang yang berlebih memperpendek umur pemakaian baterai.
3. Isi ulang kartrid baterai pada suhu ruangan 10 °C - 40 °C. Biarkan kartrid baterai yang panas menjadi dingin terlebih dahulu sebelum diisi ulang.
4. Isi ulang daya kartrid baterai jika Anda tidak menggunakannya untuk jangka waktu yang lama (lebih dari enam bulan).

DESKRIPSI FUNGSI

⚠️ PERHATIAN: Selalu pastikan bahwa mesin dimatikan dan kartrid baterai dilepas sebelum menyatel atau memeriksa kerja mesin.

Memasang atau melepas baterai

⚠️ PERHATIAN: Selalu matikan mesin sebelum memasang atau melepas kartrid baterai.

⚠️ PERHATIAN: Pegang mesin dan kartrid baterai kuat-kuat saat memasang atau melepas kartrid baterai. Kelalaian untuk memegang mesin dan kartrid baterai kuat-kuat bisa menyebabkan keduanya tergelincir dari tangan Anda dan mengakibatkan kerusakan pada mesin dan kartrid baterai dan cedera diri.

► **Gbr.1:** 1. Indikator berwarna merah 2. Tombol 3. Kartrid baterai

Untuk melepas kartrid baterai, geser dari mesin sambil menggeser tombol pada bagian depan kartrid.

Untuk memasang kartrid baterai, sejajarkan lidah kartrid baterai dengan alur pada rumah dan masukkan ke dalam tempatnya. Masukkan seluruhnya sampai terkunci pada tempatnya dan terdengar bunyi klik kecil. Jika Anda bisa melihat indikator berwarna merah pada sisi atas tombol, berarti tidak terkunci sepenuhnya.

⚠️ PERHATIAN: Selalu pasang kartrid baterai sepenuhnya sampai indikator berwarna merah tidak terlihat. Jika tidak, bisa terlepas dari mesin secara tidak sengaja, menyebabkan luka pada Anda atau orang di sekitar Anda.

⚠️ PERHATIAN: Jangan memasang kartrid baterai secara paksa. Jika kartrid tidak bergeser dengan mudah, berarti tidak dimasukkan dengan benar.

Mengindikasikan kapasitas baterai yang tersisa

Hanya untuk kartrid baterai dengan indikator

► **Gbr.2:** 1. Lampu indikator 2. Tombol pemeriksaan

Tekan tombol pemeriksaan pada kartrid baterai untuk melihat kapasitas baterai yang tersisa. Lampu indikator menyala selama beberapa detik.

Lampu indikator			Kapasitas yang tersisa
Menyala	Mati	Berkedip	
■ ■ ■ ■			75% hingga 100%
■ ■ ■ □			50% hingga 75%
■ ■ □ □			25% hingga 50%
■ □ □ □			0% hingga 25%
▣ □ □ □			Isi ulang baterai.
■ ■ □ □			Baterai mungkin sudah rusak.
□ □ ■ ■			

CATATAN: Tergantung kondisi penggunaan dan suhu lingkungannya, penunjukkan mungkin saja sedikit berbeda dari kapasitas sebenarnya.

Sistem perlindungan mesin / baterai

Mesin ini dilengkapi dengan sistem perlindungan mesin/ baterai. Sistem ini secara otomatis memutuskan daya untuk memperpanjang usia pakai mesin dan baterai. Mesin akan berhenti secara otomatis saat dioperasikan jika mesin atau baterai mengalami salah satu dari kondisi berikut ini:

Perlindungan kelebihan beban

Perlindungan ini bekerja saat mesin dijalankan dengan cara yang menyebabkannya tertariknya arus tinggi yang tidak normal. Dalam situasi ini, matikan mesin dan hentikan pekerjaan yang menyebabkan mesin mengalami kelebihan beban. Kemudian, nyalakan mesin untuk kembali melanjutkan pekerjaan.

Perlindungan panas berlebih

Perlindungan ini bekerja saat suhu mesin atau baterai terlalu tinggi. Dalam situasi ini, biarkan mesin dan baterai dingin terlebih dahulu sebelum dinyalakan kembali.

Perlindungan pengisian daya berlebih

Perlindungan ini bekerja saat kapasitas baterai yang tersisa rendah. Dalam situasi ini, lepaskan baterai dari mesin dan isi ulang daya baterai.

Kerja sakelar

⚠️ PERHATIAN: Sebelum memasang kartrid baterai pada mesin, pastikan tuas sakelar berfungsi dengan baik dan kembali ke posisi “MATI” saat dilepas.

⚠️ PERHATIAN: Pastikan untuk memegang mesin kuat-kuat sebelum mesin dimatikan.

► **Gbr.3:** 1. Tuas sakelar

Untuk menjalankan mesin, cukup tarik tuas sakelar. Kecepatan mesin akan ditingkatkan saat tuas sakelar ditekan lebih dalam. Lepaskan tuas sakelar untuk berhenti.

Menyalakan lampu depan

⚠️ PERHATIAN: Jangan melihat lampu atau sumber cahaya secara langsung.

► **Gbr.4:** 1. Lampu

Tarik tuas sakelar untuk menyalakan lampu. Lampu tetap menyala selama tuas sakelar ditarik. Lampu akan padam secara otomatis sekitar 10 detik setelah tuas sakelar dilepas.

CATATAN: Gunakan kain kering untuk mengelap kotoran dari lensa lampu. Hati-hati jangan sampai menggores lensa lampu, atau hal tersebut dapat menurunkan tingkat penerangannya.

Kerja saklar pembalik arah

► **Gbr.5:** 1. Tuas saklar pembalik arah

⚠️ PERHATIAN: Selalu periksa arah putaran sebelum penggunaan.

⚠️ PERHATIAN: Gunakan saklar pembalik arah hanya setelah mesin benar-benar berhenti. Mengubah arah putaran sebelum mesin berhenti dapat merusak mesin.

⚠️ PERHATIAN: Saat mesin tidak digunakan, selalu posisikan tuas saklar pembalik arah pada posisi netral.

Mesin ini memiliki saklar pembalik arah untuk mengubah arah putaran. Tekan tuas saklar pembalik arah dari sisi A untuk putaran searah jarum jam atau dari sisi B untuk putaran berlawanan arah jarum jam. Ketika tuas sakelar pengganti arah pada posisi netral, tuas sakelar tidak bisa ditarik.

PERAKITAN

⚠️ PERHATIAN: Selalu pastikan bahwa mesin dimatikan dan kartrid baterai dilepas sebelum melakukan pekerjaan apa pun pada mesin.

Memasang gagang sisi (pegangan tambahan)

⚠️ PERHATIAN: Selalu pastikan bahwa gagang sisi terpasang dengan kuat sebelum penggunaan.

Pasang gagang sisi pada mesin dengan menggunakan sekrup. Gagang sisi bisa dipasang pada salah satu sisi mesin, sesuai dengan keinginan.

► **Gbr.6:** 1. Gagang sisi

Memasang atau melepas mata bor

Pilihan Aksesori

► **Gbr.7:** 1. Kunci cekam

Untuk memasang mata bor, masukkan mata bor ke dalam cekam sedalam mungkin. Kencangkan cekam dengan tangan. Masukkan kunci cekam ke dalam tiga lubang yang ada dan kencangkan searah jarum jam. Pastikan ketiga lubang cekam dikencangkan secara seragam.

Untuk melepas mata bor, putar kunci cekam bor berlawanan arah jarum jam pada satu lubang saja, lalu kendurkan cekam dengan tangan.

Setelah penggunaan, kembalikan kunci cekam ke lubang penyimpanan pada mesin.

Pemegang kunci cekam

► **Gbr.8:** 1. Pemegang kunci cekam 2. Sekrup

Untuk memasang pemegang kunci cekam, pasang pada bagian cembung rumah mesin pada salah satu sisi dan kemudian kencangkan dengan sekrup. Untuk melepasnya, kendurkan sekrup dan kemudian tarik kait keluar.

Memasang kait

⚠️ PERHATIAN: Ketika memasang kait, selalu kencangkan sekrup kuat-kuat. Jika tidak, kait mungkin akan terlepas dari alat dan mengakibatkan cedera badan.

► **Gbr.9:** 1. Alur 2. Kait 3. Sekrup

Kait bisa digunakan untuk menggantung mesin sementara. Bisa dipasang pada salah satu sisi mesin. Untuk memasang kait, masukkan ke dalam alur pada rumah mesin pada salah satu sisinya dan kemudian kencangkan dengan sekrup. Untuk melepasnya, kendurkan sekrup dan kemudian tarik keluar.

PENGUNAAN

⚠️PERHATIAN: Selalu masukkan baterai seluruhnya sampai terkunci pada tempatnya. Jika Anda bisa melihat indikator berwarna merah pada sisi atas tombol, berarti tidak terkunci sepenuhnya. Masukkan sepenuhnya sampai indikator berwarna merah tidak terlihat. Jika tidak, baterai bisa terlepas dari mesin secara tidak sengaja, menyebabkan luka pada Anda atau orang di sekitar Anda.

⚠️PERHATIAN: Ketika kecepatan menurun dengan drastis, kurangi muatan atau hentikan mesin untuk menghindari kerusakan mesin.

⚠️PERHATIAN: Pegang mesin kuat-kuat dengan satu tangan pada bagian genggam mesin sementara tangan yang lain pada gagang sisi ketika menjalankan mesin.

► Gbr.10

Pekerjaan pengeboran

Mengebor kayu

Ketika mengebor kayu, hasil terbaik didapat dengan mata bor kayu yang dilengkapi sekrup pemandu. Sekrup pemandu mempermudah pengeboran dengan menarik mata bor ke dalam benda kerja.

Mengebor logam

Untuk mencegah mata bor selip ketika mulai membuat lubang, buatlah takik dengan penitik lalu palu pada titik yang akan dibor. Letakkan ujung mata bor pada takik dan mulailah mengebor.

Gunakan cairan pendingin saat mengebor logam. Pencegualian untuk besi dan kuningan yang harus dibor kering.

⚠️PERHATIAN: Menekan mesin secara berlebihan tidak akan mempercepat pengeboran. Bahkan, tekanan yang berlebihan hanya akan merusak mata bor Anda, mengurangi kinerja mesin dan memperpendek usia pakai mesin.

⚠️PERHATIAN: Pegang mesin dengan kuat dan berhati-hatilah saat mata bor menembus benda kerja. Akan timbul gaya yang sangat kuat pada mesin/mata bor saat menembus lubang.

⚠️PERHATIAN: Mata bor yang macet dapat dicabut dengan menyetel saklar pembalik arah agar mesin berputar berlawanan arah untuk mundur. Tetapi, mesin bisa saja mundur mendadak jika Anda tidak memegangnya dengan kuat.

⚠️PERHATIAN: Selalu kencangkan benda kerja menggunakan ragum atau perangkat penahan yang serupa.

⚠️PERHATIAN: Jika mesin terus-menerus digunakan sampai kartrid baterai habis, istirahatkan mesin selama 15 menit sebelum melakukannya lagi dengan baterai yang penuh.

PERAWATAN

⚠️PERHATIAN: Selalu pastikan bahwa mesin dimatikan dan kartrid baterai dilepas sebelum melakukan pemeriksaan atau perawatan.

PEMBERITAHUAN: Jangan sekali-kali menggunakan bensin, tiner, alkohol, atau bahan sejenisnya. Penggunaan bahan demikian dapat menyebabkan perubahan warna, perubahan bentuk atau timbulnya retakan.

Untuk menjaga KEAMANAN dan KEANDALAN mesin, perbaikan, perawatan atau penyetulan lainnya harus dilakukan oleh Pusat Layanan Resmi atau Pabrik Makita; selalu gunakan suku cadang pengganti buatan Makita.

AKSESORI PILIHAN

⚠️PERHATIAN: Dianjurkan untuk menggunakan aksesoris atau perangkat tambahan ini dengan mesin Makita Anda yang ditentukan dalam petunjuk ini. Penggunaan aksesoris atau perangkat tambahan lain bisa menyebabkan risiko cedera pada manusia. Hanya gunakan aksesoris atau perangkat tambahan sesuai dengan peruntukannya.

Jika Anda memerlukan bantuan lebih rinci berkenaan dengan aksesoris ini, tanyakan pada Pusat Layanan Makita terdekat.

- Mata bor
- Kunci cekam
- Pemegang kunci cekam
- Kait
- Tas jinjing plastik
- Baterai dan pengisi daya asli buatan Makita

CATATAN: Beberapa item dalam daftar tersebut mungkin sudah termasuk dalam paket mesin sebagai aksesoris standar. Hal tersebut dapat berbeda dari satu negara ke negara lainnya.

THÔNG SỐ KỸ THUẬT

Kiểu máy:		DDA340	DDA350
Khả năng khoan	Thép	10 mm	
	Gỗ	25 mm	
Tốc độ không tải		0 - 1.700 min ⁻¹	0 - 1.800 min ⁻¹
Chiều dài tổng thể		314 mm	
Điện áp định mức		14,4 V một chiều	18 V một chiều
Khối lượng tịnh		1,5 - 1,7 kg	1,5 - 1,8 kg

- Do chương trình nghiên cứu và phát triển liên tục của chúng tôi nên các thông số kỹ thuật trong đây có thể thay đổi mà không cần thông báo trước.
- Các thông số kỹ thuật và hộp pin có thể thay đổi tùy theo từng quốc gia.
- Khối lượng có thể khác nhau tùy thuộc vào (các) phụ kiện, bao gồm cả hộp pin. Tổ hợp nhẹ nhất và nặng nhất, theo Quy trình EPTA 01/2014, được trình bày trong bảng.

Hộp pin và sạc pin có thể áp dụng

Hộp pin	Kiểu D.C. 14,4 V	BL1415N / BL1430 / BL1430B / BL1440 / BL1450 / BL1460B
	Kiểu D.C. 18 V	BL1815N / BL1820 / BL1820B / BL1830 / BL1830B / BL1840 / BL1840B / BL1850 / BL1850B / BL1860B
Bộ sạc	DC18RC / DC18RD / DC18RE / DC18SD / DC18SE / DC18SF / DC18SH	

- Một số hộp pin và sạc pin được nêu trong danh sách ở trên có thể không khả dụng tùy thuộc vào khu vực cư trú của bạn.

⚠ CẢNH BÁO: Chỉ sử dụng hộp pin và sạc pin được nêu trong danh sách ở trên. Việc sử dụng bất cứ hộp pin và sạc pin nào khác có thể gây ra thương tích và/hoặc hỏa hoạn.

Ký hiệu

Phản dưới đây cho biết các ký hiệu có thể được dùng cho thiết bị. Đảm bảo rằng bạn hiểu rõ nghĩa của các ký hiệu này trước khi sử dụng.



Đọc tài liệu hướng dẫn.



Chỉ dành cho các quốc gia EU
Không tháo bỏ thiết bị điện hoặc bộ pin cùng với các chất thải sinh hoạt!
Đề tuân thủ các Chỉ thị của Châu Âu về thiết bị điện và điện tử thải bỏ, và về pin và ắc quy và pin và ắc quy thải bỏ, và thi hành những chỉ thị này phù hợp với luật lệ quốc gia, các thiết bị điện tử và pin và (các) bộ pin không còn sử dụng được nữa phải được thu nhặt riêng và đưa trở lại một cơ sở tái chế tương thích với môi trường.

Mục đích sử dụng

Dụng cụ này dùng để khoan gỗ, kim loại và nhựa.

CẢNH BÁO AN TOÀN

Cảnh báo an toàn chung dành cho dụng cụ máy

⚠ CẢNH BÁO: Xin đọc tất cả các cảnh báo an toàn, hướng dẫn, minh họa và thông số kỹ thuật đi kèm với dụng cụ máy này. Việc không tuân theo các hướng dẫn được liệt kê dưới đây có thể dẫn đến điện giật, hỏa hoạn và/hoặc thương tích nghiêm trọng.

Lưu giữ tất cả cảnh báo và hướng dẫn để tham khảo sau này.

Thuật ngữ “dụng cụ máy” trong các cảnh báo đề cập đến dụng cụ máy (có dây) được vận hành bằng nguồn điện chính hoặc dụng cụ máy (không dây) được vận hành bằng pin của bạn.

An toàn tại nơi làm việc

1. **Giữ nơi làm việc sạch sẽ và có đủ ánh sáng.**
Nơi làm việc bừa bộn hoặc tối thường dễ gây ra tai nạn.

2. **Không vận hành dụng cụ máy trong môi trường cháy nổ, ví dụ như môi trường có sự hiện diện của các chất lỏng, khí hoặc bụi dễ cháy.** Các dụng cụ máy tạo tia lửa điện có thể làm bụi hoặc khí bốc cháy.
3. **Giữ trẻ em và người ngoài tránh xa nơi làm việc khi đang vận hành dụng cụ máy.** Sự xao lãng có thể khiến bạn mất khả năng kiểm soát.

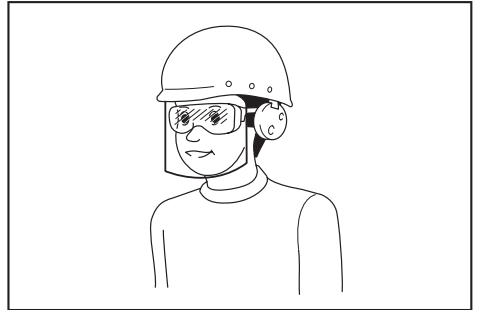
An toàn về Điện

1. **Phích cắm của dụng cụ máy phải khớp với ổ cắm. Không được sửa đổi phích cắm theo bất kỳ cách nào. Không sử dụng bất kỳ phích chuyển đổi nào với các dụng cụ máy được nối đất (tiếp đất).** Các phích cắm còn nguyên vẹn và ổ cắm phù hợp sẽ giảm nguy cơ điện giật.
2. **Tránh để cơ thể tiếp xúc với các bề mặt nóng đất hoặc tiếp đất như đường ống, bộ tản nhiệt, bếp ga và tủ lạnh.** Nguy cơ bị điện giật sẽ tăng lên nếu cơ thể bạn được nối đất hoặc tiếp đất.
3. **Không để dụng cụ máy tiếp xúc với mưa hoặc trong điều kiện ẩm ướt.** Nước lọt vào dụng cụ máy sẽ làm tăng nguy cơ điện giật.
4. **Không lạm dụng dây điện. Không được phép sử dụng dây để mang, kéo hoặc tháo phích cắm dụng cụ máy. Giữ dây tránh xa nguồn nhiệt, dầu, các mép sắc hoặc các bộ phận chuyển động.** Dây bị hỏng hoặc bị rối sẽ làm tăng nguy cơ điện giật.
5. **Khi vận hành dụng cụ máy ngoài trời, hãy sử dụng dây kéo dài phù hợp cho việc sử dụng ngoài trời.** Việc dùng dây phù hợp cho việc sử dụng ngoài trời sẽ giảm nguy cơ điện giật.
6. **Nếu bắt buộc phải vận hành dụng cụ máy ở nơi ẩm ướt, hãy sử dụng nguồn cấp điện được bảo vệ bằng thiết bị ngắt dòng điện rò (RCD).** Việc sử dụng RCD sẽ làm giảm nguy cơ điện giật.
7. **Các dụng cụ máy có thể tạo ra từ trường điện (EMF) có hại cho người dùng.** Tuy nhiên, người dùng máy trợ tim và những thiết bị y tế tương tự khác nên liên hệ với nhà sản xuất thiết bị và/hoặc bác sỹ để được tư vấn trước khi vận hành dụng cụ này.

An toàn Cá nhân

1. **Luôn tỉnh táo, quan sát những việc bạn đang làm và sử dụng những phán đoán theo kinh nghiệm khi vận hành dụng cụ máy. Không sử dụng dụng cụ máy khi bạn đang mệt mỏi hoặc chịu ảnh hưởng của ma túy, rượu hay thuốc.** Chỉ một khoảnh khắc không tập trung khi đang vận hành dụng cụ máy cũng có thể dẫn đến thương tích cá nhân nghiêm trọng.
2. **Sử dụng thiết bị bảo hộ cá nhân. Luôn đeo thiết bị bảo vệ mắt.** Các thiết bị bảo hộ như mũ bảo hộ chống bụi, giày an toàn chống trượt, mũ bảo hộ hay thiết bị bảo vệ thính giác được sử dụng trong các điều kiện thích hợp sẽ giúp giảm thương tích cá nhân.
3. **Tránh vô tình khởi động dụng cụ máy. Đám bảo công tắc ở vị trí off (tắt) trước khi nối nguồn điện và/hoặc bộ pin, cắm hoặc di chuyển dụng cụ máy.** Việc di chuyển dụng cụ máy khi đang đặt ngón tay ở vị trí công tắc hoặc cấp điện cho dụng cụ máy đang bật thường dễ gây ra tai nạn.

4. **Tháo tất cả các khóa hoặc cờ lê điều chỉnh trước khi bật dụng cụ máy.** Việc cờ lê hoặc khóa vẫn còn gắn vào bộ phận quay của dụng cụ máy có thể dẫn đến thương tích cá nhân.
5. **Không vớ quá cao. Luôn giữ thẳng bằng tốt và có chỗ để chân phù hợp.** Điều này cho phép điều khiển dụng cụ máy tốt hơn trong những tình huống bất ngờ.
6. **Ăn mặc phù hợp. Không mặc quần áo rộng hay đeo đồ trang sức. Giữ tóc và quần áo tránh xa các bộ phận chuyển động.** Quần áo rộng, đồ trang sức hay tóc dài có thể mắc vào các bộ phận chuyển động.
7. **Nếu các thiết bị được cung cấp để kết nối các thiết bị thu gom và hút bụi, hãy đảm bảo chúng được kết nối và sử dụng hợp lý.** Việc sử dụng thiết bị thu gom bụi có thể làm giảm những mối nguy hiểm liên quan đến bụi.
8. **Không vì quen thuộc do thường xuyên sử dụng các dụng cụ mà cho phép bạn trở nên tự mãn và bỏ qua các nguyên tắc an toàn dụng cụ.** Một hành động bất cẩn có thể gây ra thương tích nghiêm trọng trong một phần của một giây.
9. **Luôn luôn mang kính bảo hộ để bảo vệ mắt khỏi bị thương khi đang sử dụng các dụng cụ máy. Kính bảo hộ phải tuân thủ ANSI Z87.1 ở Mỹ, EN 166 ở Châu Âu, hoặc AS/NZS 1336 ở Úc/New Zealand. Tại Úc/New Zealand, theo luật pháp, bạn cũng phải mang mặt nạ che mặt để bảo vệ mặt.**



Trách nhiệm của chủ lao động là bắt buộc người vận hành dụng cụ và những người khác trong khu vực làm việc cạnh đó phải sử dụng các thiết bị bảo hộ an toàn thích hợp.

Sử dụng và bảo quản dụng cụ máy

1. **Không dùng lực đối với dụng cụ máy. Sử dụng đúng dụng cụ máy cho công việc của bạn.** Sử dụng đúng dụng cụ máy sẽ giúp tiết kiệm công việc tốt hơn và an toàn hơn theo giá trị định mức được thiết kế của dụng cụ máy đó.
2. **Không sử dụng dụng cụ máy nếu công tắc không bật và tắt được dụng cụ máy đó.** Mọi dụng cụ máy không thể điều khiển được bằng công tắc đều rất nguy hiểm và phải được sửa chữa.

- Rút phích cắm ra khỏi nguồn điện và/hoặc tháo kết nối bộ pin khỏi dụng cụ máy, nếu có thể tháo rời trước khi thực hiện bất kỳ công việc điều chỉnh, thay đổi phụ tùng hay cất giữ dụng cụ máy nào.** Những biện pháp an toàn phòng ngừa này sẽ giảm nguy cơ vô tình khởi động dụng cụ máy.
- Cất giữ các dụng cụ máy không sử dụng ngoài tầm với của trẻ em và không cho bất kỳ người nào không có hiểu biết về dụng cụ máy hoặc các hướng dẫn này vận hành dụng cụ máy.** Dụng cụ máy sẽ rất nguy hiểm nếu được sử dụng bởi những người dùng chưa qua đào tạo.
- Bảo dưỡng dụng cụ máy và các phụ kiện.** Kiểm tra tình trạng lịch trực hoặc bộ kẹp của các bộ phận chuyển động, hiện tượng nứt vỡ của các bộ phận và mọi tình trạng khác mà có thể ảnh hưởng đến hoạt động của dụng cụ máy. Nếu có hỏng hóc, hãy sửa chữa dụng cụ máy trước khi sử dụng. Nhiều tai nạn xảy ra là do không bảo quản tốt dụng cụ máy.
- Luôn giữ cho dụng cụ cất được sắc bén và sạch sẽ.** Những dụng cụ cất được bảo quản tốt có mức cất sắc sẽ ít bị kẹt hơn và dễ điều khiển hơn.
- Sử dụng dụng cụ máy, phụ tùng và đầu dụng cụ cắt, v.v... theo các hướng dẫn này, có tính đến điều kiện làm việc và công việc được thực hiện.** Việc sử dụng dụng cụ máy cho các công việc khác với công việc dự định có thể gây nguy hiểm.
- Giữ tay cầm và bề mặt tay cầm khô, sạch, không dính dầu và mỡ.** Tay cầm trơn trượt và bề mặt tay cầm không cho phép xử lý an toàn và kiểm soát dụng cụ trong các tình huống bất ngờ.
- Khi sử dụng dụng cụ, không được đi giày tay lao động bằng vải, có thể bị vướng.** Việc giày tay lao động bằng vải vướng vào các bộ phận chuyển động có thể gây ra thương tích cá nhân.

- Sử dụng và bảo quản dụng cụ dùng pin**
- Chỉ sạc pin lại với bộ sạc do nhà sản xuất quy định.** Bộ sạc phù hợp với một loại bộ pin này có thể gây ra nguy cơ hỏa hoạn khi được dùng cho một bộ pin khác.
 - Chỉ sử dụng các dụng cụ máy với các bộ pin được quy định có thể.** Việc sử dụng bất cứ bộ pin nào khác có thể gây ra thương tích và hỏa hoạn.
 - Khi không sử dụng bộ pin, hãy giữ tránh xa các đồ vật khác bằng kim loại, chẳng hạn như kẹp giấy, tiền xu, chìa khóa, đinh, ốc vít hoặc các vật nhỏ bằng kim loại mà có thể làm nối tắt các đầu cực pin.** Các đầu cực pin bị đoản mạch có thể gây cháy hoặc hỏa hoạn.
 - Trong điều kiện sử dụng quá mức, pin có thể bị chảy nước; hãy tránh tiếp xúc.** Nếu vô tình tiếp xúc với pin bị chảy nước, hãy rửa sạch bằng nước. Nếu dung dịch từ pin tiếp xúc với mắt, cần đi khám bác sĩ thêm. Dung dịch chảy ra từ pin có thể gây rát da hoặc bỏng.
 - Không sử dụng bộ pin hoặc dụng cụ bị hư hỏng hoặc đã bị sửa đổi.** Pin đã bị hư hỏng hoặc đã bị sửa đổi có thể hành động theo cách không thể đoán trước dẫn đến cháy, nổ hoặc nguy cơ chấn thương.

- Không để bộ pin hoặc dụng cụ tiếp xúc với lửa hoặc nhiệt độ quá cao.** Tiếp xúc với lửa hoặc nhiệt độ trên 130 °C có thể gây ra cháy nổ.
- Làm theo tất cả các hướng dẫn sạc pin và không được sạc bộ pin hoặc dụng cụ vượt giới hạn nhiệt độ quy định trong hướng dẫn.** Sạc pin không đúng hoặc ở nhiệt độ vượt giới hạn nhiệt độ có thể gây hư hỏng cho pin và làm tăng nguy cơ cháy.

Bảo dưỡng

- Đề nghị viên sửa chữa đủ trình độ bảo dưỡng dụng cụ máy của bạn và chỉ sử dụng các bộ phận thay thế đồng nhất.** Việc này sẽ đảm bảo duy trì được độ an toàn của dụng cụ máy.
- Không bao giờ sử dụng bộ pin đã hỏng.** Dịch vụ bảo hành bộ pin chỉ nên thực hiện bởi nhà sản xuất hoặc các nhà cung cấp dịch vụ được ủy quyền.
- Tuân theo hướng dẫn dành cho việc bôi trơn và thay phụ tùng.**

Cảnh báo an toàn với máy khoan chạy pin

Hướng dẫn an toàn cho mọi thao tác

- Sử dụng (có) tay cầm phụ.** Việc mất khả năng kiểm soát có thể dẫn đến thương tích cá nhân.
- Cầm dụng cụ điện bằng bề mặt tay cầm cách điện khi thực hiện một thao tác trong đó phụ kiện cắt có thể tiếp xúc với dây điện ngầm.** Phụ kiện cắt tiếp xúc với dây dẫn "có điện" có thể khiến các bộ phận kim loại bị hở của dụng cụ máy "có điện" và làm cho người vận hành bị điện giật.
- Luôn chắc chắn rằng bạn có chỗ tựa chân vững chắc.** Đảm bảo rằng không có ai ở bên dưới khi sử dụng dụng cụ ở những vị trí trên cao.
- Cầm chắc dụng cụ.**
- Giữ tay tránh xa các bộ phận quay.**
- Không để mặc dụng cụ hoạt động.** Chỉ vận hành dụng cụ khi cầm trên tay.
- Không chạm vào mũi khoan hoặc phôi gia công ngay sau khi vận hành; chúng có thể rất nóng và có thể gây bỏng da.**
- Một số vật liệu có thể chứa hóa chất độc hại.** Phải cẩn trọng tránh hít phải bụi và để tiếp xúc với da. Tuân theo dữ liệu an toàn của nhà cung cấp vật liệu.
- Nếu mũi khoan không thể rời lồng ngay khi bạn mở ngàm kẹp, hãy dùng kim để kéo nó ra.** Trong trường hợp đó, việc dùng tay kéo mũi khoan ra có thể khiến các cạnh mép sắc nhọn gây thương tích cho bạn.

Hướng dẫn an toàn khi sử dụng mũi khoan dài

- Không được vận hành máy ở tốc độ cao hơn tốc độ tối đa của mũi khoan.** Ở tốc độ cao hơn, mũi khoan có khả năng bị cong nếu để nó xoay tự do mà không tiếp xúc với phôi gia công, dẫn đến thương tích cá nhân.
- Luôn bắt đầu khoan ở tốc độ thấp và khoan với đầu mũi có tiếp xúc với phôi gia công.** Ở tốc độ cao hơn, mũi khoan có khả năng bị cong nếu để nó xoay tự do mà không tiếp xúc với phôi gia công, dẫn đến thương tích cá nhân.

- Chỉ dùng lực theo đường thẳng với mũi khoan và không nhấn lực quá mức. Các mũi khoan có thể bị uốn cong dẫn đến nứt hoặc mất kiểm soát, gây ra thương tích cá nhân.

LƯU GIỮ CÁC HƯỚNG DẪN NÀY.

⚠CẢNH BÁO: KHÔNG vì đã thoải mái hay quen thuộc với sản phẩm (có được do sử dụng nhiều lần) mà không tuân thủ nghiêm ngặt các quy định về an toàn dành cho sản phẩm này. VIỆC DÙNG SAI hoặc không tuân theo các quy định về an toàn được nêu trong tài liệu hướng dẫn này có thể dẫn đến thương tích cá nhân nghiêm trọng.

Hướng dẫn quan trọng về an toàn dành cho hộp pin

- Trước khi sử dụng hộp pin, hãy đọc kỹ tất cả các hướng dẫn và dấu hiệu cảnh báo trên (1) bộ sạc pin, (2) pin và (3) sản phẩm sử dụng pin.
- Không tháo rời hộp pin.
- Nếu thời gian vận hành ngắn hơn quá mức, hãy ngừng vận hành ngay lập tức. Điều này có thể dẫn đến rủi ro quá nhiệt, có thể gây bỏng và thậm chí là nổ.
- Nếu chất điện phân rơi vào mắt, hãy rửa sạch bằng nước sạch và đến cơ sở y tế ngay lập tức. Chất này có thể khiến bạn giảm thị lực.
- Không để hộp pin ở tình trạng đoản mạch:
 - Không chạm vào cực pin bằng vật liệu dẫn điện.
 - Tránh cất giữ hộp pin trong hộp có các vật kim loại khác như đinh, tiền xu, v.v...
 - Không được để hộp pin tiếp xúc với nước hoặc mưa.

Đoản mạch pin có thể gây ra dòng điện lớn, quá nhiệt, có thể gây bỏng và thậm chí là hỏng hóc.
- Không cất giữ cũng như sử dụng dụng cụ và hộp pin ở nơi nhiệt độ có thể lên tới hoặc vượt quá 50 °C (122 °F).
- Không đốt hộp pin ngay cả khi hộp pin đã bị hư hại nặng hoặc hư hỏng hoàn toàn. Hộp pin có thể nổ khi tiếp xúc với lửa.
- Hãy cẩn trọng không làm rơi hoặc làm méo pin.
- Không sử dụng pin đã hỏng.
- Pin nén lithium-ion là đối tượng có yêu cầu bắt buộc theo Luật Hàng hoá Nguy hiểm.
 Đối với vận tải thương mại, ví dụ như vận tải do bên thứ ba, đại lý giao nhận, thì yêu cầu đặc biệt về đóng gói và nhãn ghi phải được giám sát.
 Để chuẩn bị cho mặt hàng cần vận chuyển, cần phải tham khảo ý kiến chuyên gia về vật liệu nguy hiểm. Nếu được, vui lòng tuân thủ các quy định quốc gia chi tiết hơn.
 Buộc hoặc niêm phong các tiếp điểm mở và đóng gói pin theo cách đó để nó không thể di chuyển trong bao bì.

- Khí vút bỏ hộp pin, hãy tháo chúng khỏi dụng cụ và thả bỏ ở nơi an toàn. Phải tuân thủ theo các quy định của địa phương liên quan đến việc thải bỏ pin.
- Chỉ sử dụng pin cho các sản phẩm Makita chỉ định. Lắp pin vào sản phẩm không thích hợp có thể gây ra hỏa hoạn, quá nhiệt, nổ, hoặc rò chất điện phân.
- Nếu dụng cụ không được sử dụng trong một thời gian dài, cần phải tháo pin ra khỏi dụng cụ.

LƯU GIỮ CÁC HƯỚNG DẪN NÀY.

⚠THẬN TRỌNG: Chỉ sử dụng pin Makita chính hãng. Việc sử dụng pin không chính hãng Makita, hoặc pin đã được sửa đổi, có thể dẫn đến nổ pin gây ra cháy, thương tích và thiệt hại cá nhân. Nó cũng sẽ làm mất hiệu lực bảo hành của Makita dành cho dụng cụ của Makita và bộ sạc.

Mẹo duy trì tuổi thọ tối đa cho pin

- Sạc hộp pin trước khi pin bị xả điện hoàn toàn. Luôn dừng việc vận hành dụng cụ và sạc pin khi bạn nhận thấy công suất dụng cụ bị giảm.
- Không được phép sạc lại một hộp pin đã được sạc đầy. Sạc quá mức sẽ làm giảm tuổi thọ của pin.
- Sạc pin ở nhiệt độ phòng 10°C - 40°C. Để cho hộp pin nóng nguội lại dần trước khi sạc pin.
- Sạc pin sáu tháng một lần nếu bạn không sử dụng dụng cụ trong một thời gian dài (hơn sáu tháng).

MÔ TẢ CHỨC NĂNG

⚠THẬN TRỌNG: Luôn đảm bảo rằng đã tắt dụng cụ và tháo hộp pin ra trước khi thực hiện việc điều chỉnh hoặc kiểm tra chức năng trên dụng cụ.

Lắp hoặc tháo hộp pin

⚠THẬN TRỌNG: Luôn tắt dụng cụ trước khi lắp hoặc tháo hộp pin.

⚠THẬN TRỌNG: Giữ dụng cụ và hộp pin thật chắc khi lắp hoặc tháo hộp pin. Không giữ dụng cụ và hộp pin thật chắc có thể làm trượt chúng khỏi tay và làm hư hỏng dụng cụ và hộp pin hoặc gây thương tích cá nhân.

► **Hình1:** 1. Đèn chỉ báo màu đỏ 2. Nút 3. Hộp pin

Để tháo hộp pin, vừa trượt pin ra khỏi dụng cụ vừa đẩy trượt nút ở phía trước hộp pin.

Đề lắp hộp pin, đặt thẳng hàng phần chốt nhô ra của hộp pin vào phần rãnh nằm trên vỏ và trượt hộp pin vào vị trí. Đưa hộp pin vào cho đến khi chốt khóa vào đúng vị trí với một tiếng “cách” nhẹ. Nếu bạn vẫn còn nhìn thấy đèn chỉ báo màu đỏ ở mặt trên của nút, điều đó có nghĩa là chốt vẫn chưa được khóa hoàn toàn.

⚠ THẬN TRỌNG: Luôn lắp hộp pin khớp hoàn toàn vào vị trí cho đến khi không thể nhìn thấy đèn chỉ báo màu đỏ. Nếu không, hộp pin có thể vô tình rơi ra khỏi dụng cụ, gây thương tích cho bạn hoặc người khác xung quanh.

⚠ THẬN TRỌNG: Không được dùng sức lắp hộp pin. Nếu hộp pin không nhẹ nhàng trượt vào vị trí, có nghĩa là pin vẫn chưa được lắp đúng.

Chỉ báo dung lượng pin còn lại

Chỉ dành cho hộp pin có đèn chỉ báo

► **Hình2:** 1. Các đèn chỉ báo 2. Nút Check (kiểm tra)

Ấn nút check (kiểm tra) trên hộp pin để chỉ báo dung lượng pin còn lại. Các đèn chỉ báo bật sáng lên trong vài giây.

Các đèn chỉ báo			Dung lượng còn lại
Bật sáng	Tắt	Nhấp nháy	
			75% đến 100%
			50% đến 75%
			25% đến 50%
			0% đến 25%
			Sạc pin.
			Pin có thể đã bị hỏng.

LƯU Ý: Tùy thuộc vào các điều kiện sử dụng và nhiệt độ xung quanh, việc chỉ báo có thể khác biệt một chút so với dung lượng thực sự.

Hệ thống bảo vệ dụng cụ / pin

Dụng cụ này được trang bị hệ thống bảo vệ dụng cụ / pin. Hệ thống này sẽ tự động ngắt nguồn điện để kéo dài tuổi thọ dụng cụ và pin. Dụng cụ sẽ tự động dừng vận hành khi dụng cụ hoặc pin ở một trong những trường hợp sau đây:

Bảo vệ quá tải

Tính năng bảo vệ này sẽ hoạt động khi dụng cụ được vận hành theo cách gây ra dòng điện cao bất thường. Trong trường hợp này, hãy tắt dụng cụ và ngừng ứng dụng làm cho dụng cụ trở nên quá tải. Sau đó bật dụng cụ lên để khởi động lại.

Bảo vệ quá nhiệt

Tính năng bảo vệ này sẽ hoạt động khi dụng cụ hoặc pin bị quá nhiệt. Trong tình huống này, hãy để dụng cụ và pin nguội trước khi bật dụng cụ lại.

Bảo vệ xả điện quá mức

Tính năng bảo vệ này sẽ hoạt động khi dung lượng pin còn lại ít. Trong tình huống này, hãy tháo pin khỏi dụng cụ và sạc pin lại.

Hoạt động công tắc

⚠ THẬN TRỌNG: Trước khi lắp đặt hộp pin vào dụng cụ, luôn luôn kiểm tra xem cần công tắc có hoạt động bình thường hay không và trả về vị trí “TẮT” khi nhả ra.

⚠ THẬN TRỌNG: Đảm bảo giữ chắc dụng cụ trước khi tắt dụng cụ.

► **Hình3:** 1. Cần công tắc

Để khởi động dụng cụ, chỉ cần kéo cần công tắc. Tốc độ dụng cụ được giảm xuống bằng cách tăng lực ép lên cần công tắc. Nhả cần công tắc ra để dừng.

Bật sáng đèn phía trước

⚠ THẬN TRỌNG: Đừng nhìn thẳng trực tiếp vào đèn hoặc nguồn sáng.

► **Hình4:** 1. Đèn

Kéo cần công tắc để bật sáng đèn. Đèn sẽ vẫn sáng trong lúc cần công tắc đang được kéo. Đèn sẽ tự động tắt khoảng 10 giây sau khi nhả cần công tắc.

LƯU Ý: Dùng vải khô để lau bụi bẩn trên kính đèn. Cần thận không được làm xước kính đèn, nếu không đèn có thể bị giảm độ sáng.

Hoạt động công tắc đảo chiều

► **Hình5:** 1. Cần công tắc đảo chiều

⚠ THẬN TRỌNG: Luôn luôn kiểm tra hướng xoay trước khi vận hành.

⚠ THẬN TRỌNG: Chỉ sử dụng công tắc đảo chiều sau khi dụng cụ đã dừng hoàn toàn. Việc thay đổi hướng xoay trước khi dụng cụ dừng có thể làm hỏng dụng cụ.

⚠ THẬN TRỌNG: Khi vận hành dụng cụ, luôn đặt nút công tắc đảo chiều ở vị trí chính giữa.

Dụng cụ này có một công tắc đảo chiều để thay đổi chiều xoay. Nhấn nút công tắc đảo chiều từ mặt A để xoay theo chiều kim đồng hồ hoặc từ mặt B để xoay ngược chiều kim đồng hồ. Khi cần công tắc đảo chiều ở vị trí chính giữa, không thể kéo cần công tắc được.

LẮP RÁP

⚠ THẬN TRỌNG: Luôn đảm bảo rằng đã tắt dụng cụ và tháo hộp pin ra trước khi thực hiện bất cứ thao tác nào trên dụng cụ.

Lắp đặt tay cầm hông (tay cầm phụ)

⚠ THẬN TRỌNG: Luôn đảm bảo rằng tay cầm hông được gắn chặt trước khi vận hành.

Vặn tay cầm hông trên dụng cụ thật chặt. Tay cầm hông có thể được gắn ở cả hai bên của dụng cụ tùy theo bên nào thuận tiện.

► **Hình6:** 1. Tay cầm hông

Lắp hoặc tháo gỡ mũi khoan

Phụ kiện tùy chọn

► **Hình7:** 1. Khóa ngàm

Để lắp đặt mũi khoan, hãy lắp nó vào trong ngàm kẹp hết mức có thể. Vặn chặt ngàm kẹp bằng tay. Đặt khóa ngàm vào một trong ba lỗ nhỏ rồi vặn chặt theo chiều kim đồng hồ. Đảm bảo vặn chặt cả ba lỗ ngàm đều nhau.

Để tháo mũi khoan, hãy xoay khóa ngàm ngược chiều kim đồng hồ chỉ ở một lỗ, sau đó vặn lỏng bộ phận ngàm bằng tay.

Sau khi sử dụng, đặt khóa ngàm vào khoang chứa trên dụng cụ.

Giá gắn khóa ngàm

► **Hình8:** 1. Giá gắn khóa ngàm 2. Vít

Để lắp giá gắn khóa ngàm, hãy cố định nó vào phần lõi ra trên vỏ dụng cụ ở hai bên và sau đó vặn vít thật chặt. Để tháo ra, hãy vặn lỏng vít rồi lấy móc treo ra.

Lắp móc treo

⚠ THẬN TRỌNG: Khi lắp đặt móc treo, luôn siết vít thật chặt. Nếu không làm vậy, móc treo có thể rơi ra khỏi dụng cụ và gây thương tích cho nhân.

► **Hình9:** 1. Rãnh 2. Móc treo 3. Vít

Móc treo rất thuận tiện cho việc treo tạm dụng cụ. Móc treo có thể được lắp ở cả hai bên của dụng cụ. Để lắp đặt móc treo, hãy lắp nó vào rãnh trên vỏ dụng cụ trên bất cứ mặt nào và sau đó siết chặt lại bằng vít. Để tháo ra, hãy vặn lỏng vít rồi lấy móc treo ra.

VẬN HÀNH

⚠ THẬN TRỌNG: Luôn luôn lắp hộp pin vào hết mức cho đến khi nó khóa đúng vào vị trí. Nếu bạn vẫn còn nhìn thấy đèn chỉ báo màu đỏ ở mặt trên của nút, điều đó có nghĩa là chốt vẫn chưa được khóa hoàn toàn. Lắp chốt hoàn toàn vào vị trí cho đến khi không thể nhìn thấy đèn chỉ báo màu đỏ. Nếu không, hộp pin có thể vô tình rơi ra khỏi dụng cụ, gây thương tích cho bạn hoặc người khác xung quanh.

⚠ THẬN TRỌNG: Khi tốc độ giảm xuống đang kể, hãy giảm tải hoặc dừng dụng cụ để tránh làm hỏng dụng cụ.

⚠ THẬN TRỌNG: Giữ dụng cụ thật chắc bằng một tay trên phần dùng để cầm của dụng cụ và tay kia trên tay cầm hông khi vận hành dụng cụ.

► **Hình10**

Thao tác khoan

Khoan vào gỗ

Khi khoan vào gỗ, để có kết quả tốt nhất cần sử dụng các mũi khoan dùng để khoan gỗ và vít dẫn. Vít dẫn hướng giúp khoan dễ dàng hơn bằng cách kéo đầu mũi khoan vào trong phôi gia công.

Khoan vào kim loại

Để phòng ngừa đầu mũi khoan bị trượt ra lúc bắt đầu khoan lỗ, hãy tạo một vết lõm bằng cách dùng dùi đục tâm và đóng vào điểm cần khoan. Đặt điểm đầu mũi khoan vào chỗ lõm này và bắt đầu khoan. Sử dụng dầu nhờn để cắt khi khoan kim loại. Trừ các trường hợp dùng sắt và đồng thau cần phải được khoan khô.

⚠ THẬN TRỌNG: Nhấn dụng cụ quá mức sẽ không tăng tốc độ khoan lên được. Trên thực tế, việc nhấn mạnh thêm này sẽ chỉ gây hỏng đầu mũi khoan của bạn, làm giảm hiệu năng và tuổi thọ hoạt động của dụng cụ.

⚠ THẬN TRỌNG: Giữ chặt dụng cụ và chuẩn bị ghìm lực quán tính lại khi mũi khoan xuyên thủng phôi gia công. Sẽ có lực quán tính rất lớn tác động lên dụng cụ/đầu mũi khoan khi lỗ khoan được xuyên thủng.

⚠ THẬN TRỌNG: Đầu mũi khoan bị kẹt có thể được tháo ra đơn giản bằng cách đặt công tắc đảo chiều sang chế độ xoay ngược lại để rút mũi khoan ra. Tuy nhiên, dụng cụ có thể quay ngược ra bất ngờ nếu bạn không giữ chặt.

⚠ THẬN TRỌNG: Luôn luôn giữ chặt các phôi gia công bằng kim hoặc dụng cụ kẹp tương tự.

⚠ THẬN TRỌNG: Nếu dụng cụ được vận hành liên tục cho đến khi hộp pin đã bị xả kiệt, hãy để dụng cụ nghỉ 15 phút trước khi thực hiện tiếp bằng pin mới.

BẢO TRÌ

⚠ THẬN TRỌNG: Hãy luôn chắc chắn rằng dụng cụ đã được tắt và hộp pin đã được tháo ra trước khi cố gắng thực hiện việc kiểm tra hay bảo dưỡng.

CHÚ Ý: Không được phép dùng xăng, ét xăng, dung môi, cồn hoặc hóa chất tương tự. Có thể xảy ra hiện tượng mất màu, biến dạng hoặc nứt vỡ.

Để đảm bảo ĐỘ AN TOÀN và ĐỘ TIN CẬY của sản phẩm, việc sửa chữa hoặc bất cứ thao tác bảo trì, điều chỉnh nào đều phải được thực hiện bởi các Trung tâm Dịch vụ Nhà máy hoặc Trung tâm được Makita Ủy quyền và luôn sử dụng các phụ tùng thiết bị thay thế của Makita.

PHỤ KIỆN TỰY CHỌN

⚠ THẬN TRỌNG: Các phụ kiện hoặc phụ tùng gắn thêm này được khuyến cáo sử dụng với dụng cụ Makita của bạn theo như quy định trong hướng dẫn này. Việc sử dụng bất cứ phụ kiện hoặc phụ tùng gắn thêm nào khác đều có thể gây ra rủi ro thương tích cho người. Chỉ sử dụng phụ kiện hoặc phụ tùng gắn thêm cho mục đích đã quy định sẵn của chúng.

Nếu bạn cần bất kỳ sự hỗ trợ nào để biết thêm chi tiết về các phụ tùng này, hãy hỏi Trung tâm Dịch vụ của Makita tại địa phương của bạn.

- Các mũi khoan
- Khóa ngàm
- Giá gắn khóa ngàm
- Móc treo
- Hộp nhựa chứa dụng cụ
- Pin và bộ sạc chính hãng của Makita

LƯU Ý: Một số mục trong danh sách có thể được bao gồm trong gói dụng cụ làm phụ kiện tiêu chuẩn. Các mục này ở mỗi quốc gia có thể khác nhau.

ข้อมูลจำเพาะ

รุ่น:		DDA340	DDA350
ความสามารถในการเจาะ	โลหะ	10 mm	
	ไม้	25 mm	
ความเร็วหมุนเปล่า		0 - 1,700 min ⁻¹	0 - 1,800 min ⁻¹
ความยาวโดยรวม		314 mm	
แรงดันไฟฟ้าสูงสุด		D.C. 14.4 V	D.C. 18 V
น้ำหนักสุทธิ		1.5 - 1.7 kg	1.5 - 1.8 kg

- เนื่องจากการค้นคว้าวิจัยและพัฒนาอย่างต่อเนื่อง ข้อมูลจำเพาะในเอกสารฉบับนี้อาจเปลี่ยนแปลงได้โดยไม่ต้องแจ้งให้ทราบล่วงหน้า
- ข้อมูลจำเพาะและตลับแบตเตอรี่อาจแตกต่างกันไปในแต่ละประเทศ
- น้ำหนักอาจแตกต่างกันไปตามอุปกรณ์เสริม รวมถึงตลับแบตเตอรี่ การติดอุปกรณ์เสริมที่เบาที่สุดและหนักที่สุดตามข้อบังคับของ EPTA 01/2014 มีแสดงอยู่ในตาราง

ตลับแบตเตอรี่และเครื่องชาร์จที่ใช้ได้

ตลับแบตเตอรี่	รุ่น D.C. 14.4 V	BL1415N / BL1430 / BL1430B / BL1440 / BL1450 / BL1460B
	รุ่น D.C. 18 V	BL1815N / BL1820 / BL1820B / BL1830 / BL1830B / BL1840 / BL1840B / BL1850 / BL1850B / BL1860B
เครื่องชาร์จ		DC18RC / DC18RD / DC18RE / DC18SD / DC18SE / DC18SF / DC18SH

- ตลับแบตเตอรี่และเครื่องชาร์จบางรายการที่แสดงอยู่ด้านบนอาจไม่มีวางจำหน่ายขึ้นอยู่กับภูมิภาคที่คุณอาศัยอยู่

คำเตือน: ใช้ตลับแบตเตอรี่และเครื่องชาร์จที่ระบุไว้ข้างบนเท่านั้น การใช้ตลับแบตเตอรี่และเครื่องชาร์จประเภทอื่นอาจก่อให้เกิดความเสี่ยงที่จะได้รับบาดเจ็บและ/หรือเกิดไฟไหม้

สัญลักษณ์

ต่อไปนี้เป็นสัญลักษณ์ที่อาจใช้สำหรับอุปกรณ์ โปรดศึกษาความหมายของสัญลักษณ์ให้เข้าใจก่อนการใช้งาน



อ่านคู่มือการใช้งาน



สำหรับประเทศในสหภาพยุโรปเท่านั้น ห้ามทิ้งอุปกรณ์ไฟฟ้าหรือชุดแบตเตอรี่รวมกับขยะครัวเรือนทั่วไป!

เพื่อให้เป็นไปตามกฎระเบียบของยุโรปเกี่ยวกับขยะจำพวกอุปกรณ์ไฟฟ้าและอิเล็กทรอนิกส์ และขยะจำพวกแบตเตอรี่และหม้อสะสมไฟฟ้า และการปฏิบัติตามกฎหมายในประเทศ ต้องเก็บอุปกรณ์ไฟฟ้าและแบตเตอรี่และชุดแบตเตอรี่ที่หมดอายุการใช้งานแล้วแยกต่างหาก และส่งกลับไปยังศูนย์รีไซเคิลที่เป็นมิตรต่อสิ่งแวดล้อม

จุดประสงค์การใช้งาน

เครื่องมือนี้ใช้สำหรับเจาะไม้ โลหะ และพลาสติก

คำเตือนด้านความปลอดภัย

คำเตือนด้านความปลอดภัยของเครื่องมือไฟฟ้าทั่วไป

⚠ คำเตือน: โปรดอ่านคำเตือนด้านความปลอดภัย คำแนะนำ ภาพประกอบ และข้อมูลจำเพาะต่างๆ ที่หามากับเครื่องมือไฟฟ้านี้อย่างละเอียด การไม่ปฏิบัติตามคำแนะนำดังต่อไปนี้อาจส่งผลให้เกิดไฟฟ้าช็อต ไฟไหม้ และ/หรือได้รับบาดเจ็บอย่างร้ายแรงได้

เก็บรักษาคำเตือนและคำแนะนำทั้งหมดไว้

เป็นข้อมูลอ้างอิงในอนาคต

คำว่า “เครื่องมือไฟฟ้า” ในคำเตือนนี้หมายถึงเครื่องมือไฟฟ้า (มีสาย) ที่ทำงานโดยใช้กระแสไฟฟ้าหรือเครื่องมือไฟฟ้า (ไร้สาย) ที่ทำงานโดยใช้แบตเตอรี่

ความปลอดภัยของพื้นที่ทำงาน

1. ดูแลพื้นที่ทำงานให้มีความสะอาดและมีแสงไฟสว่าง พื้นที่รกกระเจะระเกะหรือมืดทึบอาจนำไปสู่การเกิดอุบัติเหตุได้
2. อย่าใช้งานเครื่องมือไฟฟ้าในสภาพที่อาจเกิดการระเบิด เช่น ในสถานที่ที่มีของเหลว ก๊าซ หรือฝุ่นผงที่มีคุณสมบัติไวไฟ เครื่องมือไฟฟ้าอาจสร้างประกายไฟและจุดชนวนฝุ่นผงหรือก๊าซดังกล่าว
3. ดูแลไม่ให้มีเด็ก หรือบุคคลอื่นอยู่ในบริเวณที่กำลังใช้เครื่องมือไฟฟ้า การมีสิ่งรบกวนสมาธิอาจทำให้คุณสูญเสียการควบคุม

ความปลอดภัยด้านไฟฟ้า

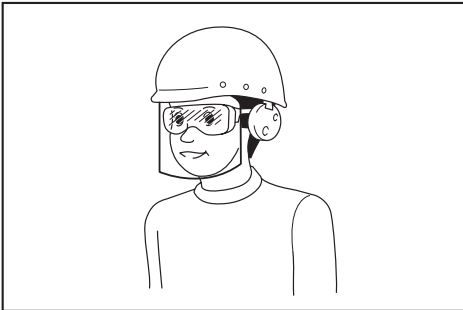
1. ปลั๊กของเครื่องมือไฟฟ้าต้องพอดีกับเต้ารับ อย่าดัดแปลงปลั๊กไม่ว่ากรณีใดๆ อย่าใช้ปลั๊กอะแดปเตอร์กับเครื่องมือไฟฟ้าที่ต่อสายดิน ปลั๊กที่ไม่ถูกดัดแปลงและเต้ารับที่เข้ากันพอดีจะช่วยลดความเสี่ยงของการเกิดไฟฟ้าช็อต
2. ระวังอย่าให้ร่างกายสัมผัสกับพื้นผิวที่ต่อสายดิน เช่น ท่อ เครื่องนำความร้อน เตาहु่งต้ม และตู้เย็น มีความเสี่ยงที่จะเกิดไฟฟ้าช็อตสูงขึ้น หากร่างกายของคุณสัมผัสกับพื้น
3. อย่าให้เครื่องมือไฟฟ้าถูกน้ำหรืออยู่ในสภาพเปียกชื้น น้ำที่ไหลเข้าไปในเครื่องมือไฟฟ้าจะเพิ่มความเสี่ยงของการเกิดไฟฟ้าช็อต

4. อย่าใช้สายไฟอย่างไม่เหมาะสม อย่าใช้สายไฟเพื่อยก ดึง หรือถอดปลั๊กเครื่องมือไฟฟ้า เก็บสายไฟให้ห่างจากความร้อน น้ำมัน ของมีคม หรือชิ้นส่วนที่เคลื่อนที่ สายที่ชำรุดหรือพันกันจะเพิ่มความเสี่ยงของการเกิดไฟฟ้าช็อต
5. ขณะที่ใช้งานเครื่องมือไฟฟ้านอกอาคาร ควรใช้สายต่อพ่วงที่เหมาะสมกับงานภายนอกอาคาร การใช้งานที่เหมาะสมกับงานภายนอกอาคารจะลดความเสี่ยงของการเกิดไฟฟ้าช็อต
6. หากต้องใช้งานเครื่องมือไฟฟ้าในสถานที่เปียกชื้น ให้ใช้อุปกรณ์ป้องกันกระแสไฟรั่ว (RCD) การใช้ RCD จะลดความเสี่ยงของการเกิดไฟฟ้าช็อต
7. เครื่องมือไฟฟ้าอาจสร้างสนามแม่เหล็ก (EMF) ที่ไม่เป็นอันตรายต่อผู้ใช้ อย่างไรก็ตาม ผู้ใช้ที่ใส่เครื่องกระตุ้นหัวใจและอุปกรณ์ทางการแพทย์ที่คล้ายกันนี้ ควรติดต่อผู้ผลิตรายการและ/หรือแพทย์เพื่อรับคำแนะนำก่อนใช้งานเครื่องมือไฟฟ้า

ความปลอดภัยส่วนบุคคล

1. ให้ระมัดระวังและมึสติอยู่เสมอขณะใช้งานเครื่องมือไฟฟ้า อย่าใช้งานเครื่องมือไฟฟ้าในขณะที่ดื่มแอลกอฮอล์ เหนื่อย หรือในสภาพที่มึนเมาจากยาเสพติด เครื่องดื่ม แอลกอฮอล์ หรือการไช้ยา ช่วงเวลาที่ขาดความระมัดระวังเมื่อกำลังใช้งานเครื่องมือไฟฟ้าอาจทำให้ได้รับบาดเจ็บร้ายแรง
2. ใช้อุปกรณ์ป้องกันส่วนบุคคล สวมแว่นตาป้องกันเสมอ อุปกรณ์ป้องกัน เช่น หมวกกันน็อก รองเท้านิรภัย กันลื่น หมวกนิรภัย หรือเครื่องป้องกันการได้ยินที่ใช้ในสภาพที่เหมาะสมจะช่วยลดการบาดเจ็บ
3. ป้องกันไม่ให้เกิดการเปิดใช้งานโดยไม่ตั้งใจ ตรวจสอบให้แน่ใจว่าสวิตช์ปิดอยู่ก่อนที่จะเชื่อมต่อกับแหล่งจ่ายไฟ และ/หรือชุดแบตเตอรี่ รวมทั้งตรวจสอบก่อนการยกหรือเคลื่อนย้ายเครื่องมือ การสอดนิ้วมือบริเวณสวิตช์เพื่อถือเครื่องมือไฟฟ้า หรือการชาร์จไฟเครื่องมือไฟฟ้าในขณะที่เปิดสวิตช์อยู่อาจนำไปสู่การเกิดอุบัติเหตุ
4. นำคู่มือฉบับปรับปรุงหรือประจำออกก่อนที่จะเปิดเครื่องมือไฟฟ้า ประแจหรือคู่มือที่เสียบค้างอยู่ในชิ้นส่วนที่หมุนได้ของเครื่องมือไฟฟ้าอาจทำให้ได้รับบาดเจ็บ
5. อย่าทำงานในระยะที่สุดเอื้อม จัดท่ากรยีนและการทรงตัวให้เหมาะสมตลอดเวลา เพราะจะทำให้ควบคุมเครื่องมือไฟฟ้าได้ดีขึ้นในสถานการณ์ที่ไม่คาดคิด

6. แต่งกายให้เหมาะสม อย่าสวมเครื่องแต่งกายที่หลวมเกินไป หรือสวมเครื่องประดับ อย่าใส่เส้นผมและเสื้อผ้าอยู่ใกล้ชิ้นส่วนที่เคลื่อนที่ เสื้อผ้ารุ่มร่าม เครื่องประดับ หรือผมที่มีความยาวอาจเข้าไปติดในชิ้นส่วนที่เคลื่อนที่
7. หากมีการจัดอุปกรณ์สำหรับดูดและจัดเก็บฝุ่นไว้ในสถานที่ ให้ตรวจสอบว่าได้เชื่อมต่อและใช้งานอุปกรณ์นั้นอย่างเหมาะสม การใช้เครื่องดูดและจัดเก็บฝุ่นจะช่วยลดอันตรายที่เกิดจากฝุ่นลงได้
8. อย่าให้ความดันเคยจากการใช้งานเครื่องมือเป็นประจำทำให้คุณทำตัวตามสบายและละเลยหลักการเพื่อความปลอดภัยในการใช้เครื่องมือ การกระทำที่ไม่ระมัดระวังอาจทำให้เกิดการบาดเจ็บร้ายแรงภายในเสี้ยววินาที
9. สวมใส่แว่นครอบตาที่รับภัยเพื่อปกป้องดวงตาของคุณจากการบาดเจ็บเมื่อใช้เครื่องมือไฟฟ้า แว่นครอบตาจะต้องได้มาตรฐาน ANSI Z87.1 ในสหรัฐอเมริกา, EN 166 ในยุโรป หรือ AS/NZS 1336 ในออสเตรเลีย/นิวซีแลนด์ ในออสเตรเลีย/นิวซีแลนด์ จะต้องสวมเกราะป้องกันใบหน้าเพื่อปกป้องใบหน้าของคุณอย่างถูกต้องตามกฎหมายด้วย



ผู้ว่าจ้างมีหน้าที่รับผิดชอบในการบังคับผู้ใช้งานเครื่องมือและบุคคลอื่นๆ ที่อยู่ในบริเวณที่ปฏิบัติงานให้ใช้อุปกรณ์ป้องกันที่เหมาะสม

การใช้และดูแลเครื่องมือไฟฟ้า

1. อย่าฝืนใช้เครื่องมือไฟฟ้า ใช้เครื่องมือไฟฟ้าที่เหมาะสมกับการใช้งานของคุณ เครื่องมือไฟฟ้าที่เหมาะสมจะทำให้ได้งานที่มีประสิทธิภาพและปลอดภัยกว่าตามขีดความสามารถของเครื่องที่ได้รับการออกแบบมา
2. อย่าใช้เครื่องมือไฟฟ้า หากสวิตช์ไม่สามารถเปิดปิดได้ เครื่องมือไฟฟ้าที่ควบคุมด้วยสวิตช์ไม่ได้เป็นอันตรายและต้องได้รับการซ่อมแซม

3. ถอดปลั๊กจากแหล่งจ่ายไฟ และ/หรือชุดแบตเตอรี่ออกจากเครื่องมือไฟฟ้าก่อนทำการปรับตั้ง เปลี่ยนอุปกรณ์เสริม หรือจัดเก็บเครื่องมือไฟฟ้า วิธีการป้องกันด้านความปลอดภัยดังกล่าวจะช่วยลดความเสี่ยงในการเปิดใช้งานเครื่องมือไฟฟ้าโดยไม่ตั้งใจ
4. จัดเก็บเครื่องมือไฟฟ้าที่ไม่ได้ใช้งานให้ห่างจากมือเด็ก และอย่าอนุญาตให้บุคคลที่ไม่คุ้นเคยกับเครื่องมือไฟฟ้าหรือคำแนะนำเหล่านี้ใช้งานเครื่องมือไฟฟ้า เครื่องมือไฟฟ้าจะเป็นอันตรายเมื่ออยู่ในมือของผู้ที่ไม่ได้รับการฝึกอบรม
5. บำรุงรักษาเครื่องมือไฟฟ้าและอุปกรณ์เสริม ตรวจสอบการประกอบที่ไม่ถูกต้องหรือการเชื่อมต่อของชิ้นส่วนที่เคลื่อนที่ การแตกหักของชิ้นส่วน หรือสภาพอื่นๆ ที่อาจส่งผลกระทบต่อการทำงานของเครื่องมือไฟฟ้า หากมีความเสียหาย ให้นำเครื่องมือไฟฟ้าไปซ่อมแซมก่อนการใช้งาน อุบัติเหตุจำนวนมากเกิดจากการดูแลรักษาเครื่องมือไฟฟ้าอย่างไม่ถูกต้อง
6. ทำความสะอาดเครื่องมือตัดและลับให้คมอยู่เสมอ เครื่องมือการตัดที่มีการดูแลอย่างถูกต้องและมีขอบการตัดคมมักจะมีปัญหาติดขัดน้อยและควบคุมได้ง่ายกว่า
7. ใช้เครื่องมือไฟฟ้า อุปกรณ์เสริม และวัสดุสิ้นเปลือง ฯลฯ ตามคำแนะนำดังกล่าว พิจารณาสภาพการทำงานและงานที่จะลงมือทำ การใช้เครื่องมือไฟฟ้าเพื่อทำงานอื่นนอกเหนือจากที่กำหนดไว้อาจทำให้เกิดอันตราย
8. ดูแลมือจับและบริเวณมือจับให้แห้ง สะอาด และไม่มีน้ำมันและจาระบีเปื้อน มือจับและบริเวณมือจับที่ลื่นจะทำให้ไม่สามารถจับและควบคุมเครื่องมือได้อย่างปลอดภัยในสถานการณ์ที่ไม่คาดคิด
9. ขณะใช้งานเครื่องมือ อย่าสวมใส่ถุงมือผ้าที่อาจเข้าไปติดในเครื่องมือได้ หากถุงมือผ้าเข้าไปติดในชิ้นส่วนที่กำลังเคลื่อนที่ที่อยู่อาจทำให้ได้รับบาดเจ็บ

การใช้งานและดูแลเครื่องมือที่ใช้แบตเตอรี่

1. ชาร์จไฟใหม่ด้วยเครื่องชาร์จที่ระบุโดยผู้ผลิตเท่านั้น เครื่องชาร์จที่เหมาะสมสำหรับชุดแบตเตอรี่ประเภทนี้อาจเสี่ยงที่จะเกิดไฟไหม้หากนำไปใช้กับชุดแบตเตอรี่อีกประเภทหนึ่ง
2. ใช้เครื่องมือไฟฟ้ากับชุดแบตเตอรี่ที่กำหนดมาโดยเฉพาะเท่านั้น การใช้ชุดแบตเตอรี่ประเภทนี้อาจทำให้เสี่ยงที่จะได้รับบาดเจ็บและเกิดไฟไหม้

- เมื่อไม่ใช้งานชุดแบตเตอรี่ ให้เก็บห่างจากวัตถุที่เป็นโลหะอื่นๆ เช่น คลิปหนีบกระดาษ เหรียญ กุญแจ กรรไกร ตัดเล็บ สกรู หรือวัตถุที่เป็นโลหะขนาดเล็กอื่นๆ ที่สามารถเชื่อมต่อชั่วคราวหนึ่งกับอีกชั่วคราวหนึ่งได้ การลัดวงจรขั้วแบตเตอรี่อาจทำให้ร้อนจัดหรือเกิดไฟไหม้
- ในกรณีที่ใช้งานไม่ถูกต้อง อาจมีของเหลวไหลออกจากแบตเตอรี่ ให้หลีกเลี่ยงการสัมผัส หากสัมผัสโดนของเหลวโดยไม่ตั้งใจ ให้ล้างออกด้วยน้ำ หากของเหลวกระเด็นเข้าตา ให้รีบไปพบแพทย์ ของเหลวที่ไหลออกจากแบตเตอรี่อาจทำให้ผิวหนังระคายเคืองหรือไหม้
- ห้ามใช้ชุดแบตเตอรี่หรือเครื่องมือที่ชำรุดหรือมีการแก้ไข แบตเตอรี่ที่เสียหายหรือมีการแก้ไขอาจทำให้เกิดสิ่งที่ไม่ถึงได้ เช่น ไฟไหม้ ระเบิด หรือเสี่ยงต่อการบาดเจ็บ
- ห้ามใช้ชุดแบตเตอรี่อยู่ใกล้ไฟ หรือบริเวณที่มีอุณหภูมิสูงเกิน หากโดนไฟ หรืออุณหภูมิสูงเกิน 130 °C อาจก่อให้เกิดการระเบิดได้
- กรุณาปฏิบัติตามคำแนะนำสำหรับการชาร์จไฟ และห้ามชาร์จแบตเตอรี่หรือเครื่องมือในบริเวณที่มีอุณหภูมินอกเหนือไปจากที่ระบุในคำแนะนำ การชาร์จไฟที่ไม่เหมาะสม หรืออุณหภูมินอกเหนือไปจากช่วงอุณหภูมิที่ระบุในคำแนะนำอาจทำให้แบตเตอรี่เสียหายและเป็นการเพิ่มความเสี่ยงในการเกิดไฟไหม้

การซ่อมบำรุง

- นำเครื่องมือไฟฟ้าเข้ารับบริการจากช่างซ่อมที่ผ่านการรับรองโดยใช้อะไหล่แบบเดียวกันเท่านั้น เพราะจะทำให้การใช้เครื่องมือไฟฟ้ามีความปลอดภัย
- ห้ามใช้ชุดแบตเตอรี่ที่เสียหาย ชุดแบตเตอรี่ที่ใช้ควรเป็นชุดที่มาจากผู้ผลิต หรือผู้ให้บริการที่ได้รับอนุญาตเท่านั้น
- ปฏิบัติตามคำแนะนำในการหล่อลื่นและการเปลี่ยนอุปกรณ์เสริม

คำเตือนด้านความปลอดภัยของส่วนไฟฟ้าแบบไร้สาย

คำแนะนำด้านความปลอดภัยสำหรับการทำงานทั้งหมด

- ใช้ที่จับเสริม การสูญเสียการควบคุมอาจทำให้ได้รับบาดเจ็บได้

- จับเครื่องมือไฟฟ้าที่พื้นผิวมือจับที่มีฉนวนหุ้มเมื่อใช้งานในที่ที่อุปกรณ์เสริมสำหรับตัดอาจสัมผัสกับสายไฟที่ซ่อนอยู่ อุปกรณ์ตัดที่สัมผัสกับสายไฟที่ “มีกระแสไฟฟ้าไหลผ่าน” อาจทำให้ชิ้นส่วนโลหะของเครื่องมือไฟฟ้า “มีกระแสไฟฟ้าไหลผ่าน” และทำให้ผู้ใช้ใช้งานถูกไฟฟ้าช็อตได้
- ตรวจสอบให้แน่ใจว่าได้ยึดอย่างมั่นคง หากใช้งานเครื่องมือในพื้นที่สูง ระวังอย่าให้มืออยู่ด้านล่าง
- จับเครื่องมือให้แน่น
- ระวังอย่าให้มือสัมผัสกับชิ้นส่วนที่หมุนได้
- อย่าปล่อยให้เครื่องมือทำงานค้างไว้ ใช้งานเครื่องมือในขณะที่ถืออยู่เท่านั้น
- ห้ามสัมผัสกับดอกสว่านหรือชิ้นงานทันทีที่ทำงานเสร็จ เนื่องจากดอกสว่านหรือชิ้นงานอาจมีความร้อนสูงและลวกผิวหนังของคุณได้
- วัสดุบางอย่างอาจมีสารเคมีที่เป็นพิษ ระวังอย่าสูดดมฝุ่นหรือสัมผัสกับผิวหนัง ปฏิบัติตามข้อมูลด้านความปลอดภัยของผู้ผลิตวัสดุ
- หากดอกสว่านไม่คลายออกแม้คุณจะมีเปิดฟันของหัวจับแล้ว ให้ใช้คีมดึงออก ในกรณีดังกล่าว การดึงดอกสว่านด้วยมืออาจทำให้ได้รับบาดเจ็บจากขอบที่คมของดอกสว่านได้

คำแนะนำด้านความปลอดภัยเมื่อใช้ดอกสว่านแบบยาว

- ห้ามใช้งานที่ความเร็วสูงกว่าระดับความเร็วสูงสุดของดอกสว่าน ที่ความเร็วสูงดอกจะมีแนวโน้มที่จะโค้งงอ หากถูกทำให้หมุนได้อย่างอิสระโดยไม่ได้สัมผัสชิ้นงาน ซึ่งจะทำให้ได้รับบาดเจ็บได้
- เริ่มการเจาะที่ความเร็วต่ำและให้ปลายของดอกสัมผัสกับชิ้นงานเสมอ ที่ความเร็วสูงดอกจะมีแนวโน้มที่จะโค้งงอหากถูกทำให้หมุนได้อย่างอิสระโดยไม่ได้สัมผัสชิ้นงาน ซึ่งจะทำให้ได้รับบาดเจ็บได้
- ใช้แรงกดในทิศทางตรงกับดอกเท่านั้นและอย่าใช้แรงกดมากเกินไป ดอกอาจงอได้ ซึ่งเป็นสาเหตุที่ทำให้เกิดการแตกหรือสูญเสียการควบคุม ส่งผลให้เกิดการบาดเจ็บได้

ปฏิบัติตามคำแนะนำเหล่านี้

คำเตือน: อย่าให้ความไม่ระมัดระวังหรือความคุ้นเคยกับผลิตภัณฑ์ (จากการใช้งานซ้ำหลายครั้ง) อยู่เหนือการปฏิบัติตามกฎเกณฑ์ด้านความปลอดภัยในการใช้งานผลิตภัณฑ์อย่างเคร่งครัด การใช้งานอย่างไม่เหมาะสมหรือการไม่ปฏิบัติตามกฎเกณฑ์ด้านความปลอดภัยในคู่มือการใช้งานนี้อาจทำให้ได้รับบาดเจ็บร้ายแรง

คำแนะนำเพื่อความปลอดภัยที่สำคัญสำหรับ ดัลล์แบตเตอรี่

1. ก่อนใช้งานดัลล์แบตเตอรี่ให้อ่านคำแนะนำและ
เครื่องหมายเตือนทั้งหมดบน (1) เครื่องชาร์จ
แบตเตอรี่ (2) แบตเตอรี่ และ (3) ตัวผลิตภัณฑ์ที่ใช้
แบตเตอรี่
2. ห้ามถอดแยกส่วนดัลล์แบตเตอรี่
3. หากระยะเวลาที่เครื่องทำงานสั้นเกินไป ให้หยุดใช้งาน
ทันที เนื่องจากอาจมีความเสี่ยงที่จะร้อนจัดไหม้หรือ
ระเบิดได้
4. หากสารละลายอิเล็กโทรไลต์กระเด็นเข้าตา ให้ล้าง
ออกด้วยน้ำเปล่าและรีบไปพบแพทย์ทันที เนื่องจาก
อาจทำให้ตาบอด
5. ห้ามลัดวงจรดัลล์แบตเตอรี่:
 - (1) ห้ามแตะขั้วกับวัตถุที่เป็นสื่อไฟฟ้าใดๆ
 - (2) หลีกเลี่ยงการเก็บดัลล์แบตเตอรี่ไว้ในภาชนะร่วมกับวัตถุที่เป็นโลหะ เช่น กรรไกรตัดเล็บ เหรียญ
 ฯลฯ
 - (3) อย่าให้ดัลล์แบตเตอรี่ถูกน้ำหรือฝน
แบตเตอรี่ลัดวงจรอาจทำให้เกิดการไหลของกระแส
ไฟฟ้า ร้อนจัดไหม้หรือเสียหายได้
6. ห้ามเก็บและใช้เครื่องมือและดัลล์แบตเตอรี่ไว้ในสถานที่
ที่มีอุณหภูมิสูงถึงหรือเกิน 50 °C (122 °F)
7. ห้ามเผาดัลล์แบตเตอรี่ทิ้ง แม้ว่าแบตเตอรี่จะเสียหาย
จนใช้การไม่ได้หรือเสื่อมสภาพแล้ว ดัลล์แบตเตอรี่
อาจจะระเบิดในกองไฟ
8. ระวังอย่าทำแบตเตอรี่ตกหล่นหรือกระทบกระแทก
9. ห้ามใช้แบตเตอรี่ที่เสียหาย
10. แบตเตอรี่ลิเทียมไอออนที่มีมาให้มาเป็นไปตามข้อ
กำหนดของ Dangerous Goods Legislation
สำหรับการขนส่งเพื่อการพาณิชย์ เช่น โดยบุคคลที่
สาม ตัวแทนขนส่งสินค้า จะต้องตรวจสอบข้อกำหนด
พิเศษในด้านการบรรจุหีบห่อหรือการติดป้ายสินค้า
ในการเตรียมสินค้าที่จะขนส่ง ให้ปรึกษาผู้เชี่ยวชาญ
ด้านวัตถุอันตราย โปรดตรวจสอบข้อกำหนดใน
ประเทศที่อาจมีรายละเอียดอื่นๆ เพิ่มเติม
ให้ติดเทปหรือปิดหน้าสัมผัสและห่อแบตเตอรี่ใน
ลักษณะที่แบตเตอรี่จะไม่เคลื่อนที่ไปมาในหีบห่อ
11. เมื่อกำจัดดัลล์แบตเตอรี่ ให้ถอดดัลล์แบตเตอรี่ออก
จากเครื่องมือและกำจัดในสถานที่ที่ปลอดภัย ปฏิบัติ
ตามข้อบังคับในท้องถิ่นที่เกี่ยวกับการกำจัดแบตเตอรี่

12. ใช้แบตเตอรี่กับผลิตภัณฑ์ที่ระบุโดย Makita เท่านั้น
การติดตั้งแบตเตอรี่ในผลิตภัณฑ์ที่ไม่ใช่ตามที่ระบุอาจ
ทำให้เกิดไฟไหม้ ความร้อนสูง ระเบิด หรืออิเล็กโทร
ไลต์รั่วไหลได้
13. หากไม่ใช่เครื่องมือเป็นระยะเวลานาน จะต้องถอด
แบตเตอรี่ออกจากเครื่องมือ

ปฏิบัติตามคำแนะนำเหล่านี้

⚠️ ข้อควรระวัง: ใช้แบตเตอรี่ของแท้จาก Makita เท่านั้น
การใช้แบตเตอรี่ Makita ที่ไม่แท้ หรือแบตเตอรี่ที่ถูก
เปลี่ยน อาจทำให้แบตเตอรี่ระเบิด ก่อให้เกิดเพลิงลุกไหม้
การบาดเจ็บ และความเสี่ยงภัยได้ และจะทำการรับประกัน
ประกันของ Makita สำหรับเครื่องมือและแท่นชาร์จของ
Makita เป็นโมฆะด้วย

เคล็ดลับในการรักษาอายุการใช้งานของ แบตเตอรี่ให้ยาวนานที่สุด

1. ชาร์จดัลล์แบตเตอรี่ก่อนที่ไฟจะหมด หยุดการใช้
งานแล้วชาร์จประจุไฟฟ้าใหม่ทุกครั้งเมื่อคุณรู้สึกว่า
อุปกรณ์มีกำลังลดลง
2. อย่าชาร์จดัลล์แบตเตอรี่ที่มีไฟเต็มแล้ว การชาร์จ
ประจุไฟฟ้ามากเกินไปอาจจะทำให้อายุการใช้งานของ
ดัลล์แบตเตอรี่สั้นลง
3. ชาร์จประจุไฟฟ้าดัลล์แบตเตอรี่ในห้องที่มีอุณหภูมิ
ระหว่าง 10 °C - 40 °C ปล่อยให้ดัลล์แบตเตอรี่เย็น
ลงก่อนที่จะชาร์จไฟ
4. ชาร์จไฟดัลล์แบตเตอรี่หากคุณไม่ต้องการใช้เป็นเวลา
นาน (เกินกว่าหกเดือน)

คำอธิบายการทำงาน

⚠ ข้อควรระวัง: ตรวจสอบให้แน่ใจว่าได้ปิดสวิทช์เครื่องมือและถอดตลับแบตเตอรี่ออกก่อนปรับตั้งหรือตรวจสอบการทำงานของเครื่องมือ

การใส่หรือการถอดตลับแบตเตอรี่

⚠ ข้อควรระวัง: ปิดสวิทช์เครื่องมือก่อนทำการติดตั้งหรือการถอดตลับแบตเตอรี่ทุกครั้ง

⚠ ข้อควรระวัง: ถือเครื่องมือและตลับแบตเตอรี่ให้แน่นในระหว่างการติดตั้งหรือการถอดตลับแบตเตอรี่ หากไม่ถือเครื่องมือและตลับแบตเตอรี่ให้แน่น อาจทำให้ตลับแบตเตอรี่และเครื่องมือสั้นหลุดมือ และทำให้เครื่องมือและตลับแบตเตอรี่เสียหายหรือได้รับบาดเจ็บได้

▶ **หมายเลข 1:** 1. ไฟแสดงสถานะสีแดง 2. ปุ่ม 3. ตลับแบตเตอรี่

เมื่อต้องการถอดตลับแบตเตอรี่ ให้เลื่อนปุ่มที่ด้านหน้าของตลับแล้วดึงออกจากเครื่องมือ

เมื่อต้องการติดตั้งตลับแบตเตอรี่ ให้จัดแนวสันบนตลับแบตเตอรี่ให้ตรงกับร่องบนตัวเครื่องมือ แล้วเลื่อนตลับแบตเตอรี่เข้าที่ ติดตั้งตลับแบตเตอรี่เข้าจนสุดจนกระทั่งได้ยินเสียงคลิกล็อกเข้าที่ หากยังเห็นส่วนสีแดงที่ด้านบนของปุ่ม แสดงว่าตลับแบตเตอรี่ยังไม่ล็อกเข้าที่

⚠ ข้อควรระวัง: ให้ดันตลับแบตเตอรี่เข้าจนสุดจนไม่เห็นส่วนสีแดงอีก ไม่เช่นนั้น ตลับแบตเตอรี่อาจหลุดออกจากเครื่องมือทำให้คุณหรือคนรอบข้างได้รับบาดเจ็บ

⚠ ข้อควรระวัง: อย่าฝืนติดตั้งตลับแบตเตอรี่โดยใช้แรงมากเกินไป หากตลับแบตเตอรี่ไม่เลื่อนเข้าไปโดยง่าย แสดงว่าใส่ไม่ถูกต้อง

การระบุระดับพลังงานแบตเตอรี่ที่เหลืออยู่

สำหรับตลับแบตเตอรี่ที่มีตัวแสดงสถานะเท่านั้น

▶ **หมายเลข 2:** 1. ไฟแสดงสถานะ 2. ปุ่มตรวจสอบ

กดปุ่ม ตรวจสอบ บนตลับแบตเตอรี่เพื่อดูปริมาณแบตเตอรี่ที่เหลือ ไฟแสดงสถานะจะสว่างขึ้นเป็นเวลาสองสามวินาที

ไฟแสดงสถานะ			แบตเตอรี่ที่เหลือ
ไฟสว่าง	ดับ	กะพริบ	
■ ■ ■ ■	□ □ □ □	▣ ▣ ▣ ▣	75% ถึง 100%
■ ■ ■ □	□ □ □ □	□ □ □ □	50% ถึง 75%
■ ■ □ □	□ □ □ □	□ □ □ □	25% ถึง 50%
■ □ □ □	□ □ □ □	□ □ □ □	0% ถึง 25%
▣ □ □ □	□ □ □ □	□ □ □ □	ชาร์จไฟแบตเตอรี่
■ ■ □ □	□ □ □ □	□ □ □ □	แบตเตอรี่อาจจะเสียหาย
□ □ ■ ■	□ □ □ □	□ □ □ □	

หมายเหตุ: ขึ้นอยู่กับสภาพการใช้งานและอุณหภูมิ โดยรอบ การแสดงสถานะอาจจะแตกต่างจากปริมาณแบตเตอรี่จริงเล็กน้อย

ระบบป้องกันเครื่องมือ/แบตเตอรี่

เครื่องมือที่มีระบบป้องกันเครื่องมือ/แบตเตอรี่ ระบบนี้จะตัดไฟโดยอัตโนมัติเพื่อหยุดการใช้งานของเครื่องมือและแบตเตอรี่ เครื่องมือจะหยุดทำงานระหว่างการใช้งานโดยอัตโนมัติ หากเครื่องมือหรือแบตเตอรี่อยู่ภายใต้สถานการณ์ต่อไปนี้

การป้องกันโอเวอร์โหลต

การป้องกันนี้จะทำงานเมื่อเครื่องมือทำงานในลักษณะที่ทำให้เกิดกระแสไฟฟ้าสูงผิดปกติ ในสถานการณ์เช่นนี้ ให้ปิดเครื่องมือและหยุดการใช้ที่ทำให้เครื่องมือทำงานหนักเกินไป จากนั้นเปิดเครื่องมือเพื่อเริ่มการทำงานอีกครั้ง

การป้องกันความร้อนสูงเกิน

การป้องกันนี้จะทำงานเมื่อเครื่องมือหรือแบตเตอรี่ร้อนเกินไป ในกรณีนี้ ปล่อยให้เครื่องมือและแบตเตอรี่เย็นลงก่อนที่จะเปิดเครื่องมืออีกครั้ง

การป้องกันไฟไหม้

การป้องกันนี้จะทำงานเมื่อความจุแบตเตอรี่เหลือน้อย ในสถานการณ์เช่นนี้ ให้ถอดแบตเตอรี่ออกจากเครื่องมือและนำแบตเตอรี่ไปชาร์จไฟ

การทำงานของสวิตช์

⚠ ข้อควรระวัง: ก่อนติดตั้งถลับแบตเตอรี่ลงในเครื่องมือ ให้ตรวจสอบว่าก้านสวิตช์สามารถทำงานได้อย่างถูกต้อง และกลับไปยังตำแหน่ง "ปิด" เมื่อปล่อย

⚠ ข้อควรระวัง: ต้องแน่ใจว่าได้ถือเครื่องมือไว้อย่างมั่นคงก่อนเปิดสวิตช์เครื่องมือ

▶ **หมายเลข 3:** 1. ก้านสวิตช์

เมื่อต้องการเปิดใช้เครื่องมือให้ดึงก้านสวิตช์ ความเร็วเครื่องมือจะเพิ่มขึ้นเมื่อเพิ่มแรงกดที่ก้านสวิตช์ ปล่อยก้านสวิตช์เพื่อหยุดทำงาน

การเปิดดวงไฟด้านหลัง

⚠ ข้อควรระวัง: อย่ามองเข้าไปในดวงไฟหรือจ้องดูแหล่งกำเนิดแสงโดยตรง

▶ **หมายเลข 4:** 1. ดวงไฟ

ดึงก้านสวิตช์เพื่อเปิดไฟ ดวงไฟจะสว่างอยู่ตลอดเวลาเมื่อดึงก้านสวิตช์ ดวงไฟจะดับลงเองอัตโนมัติภายในประมาณ 10 วินาทีหลังจากปล่อยก้านสวิตช์

หมายเหตุ: ใช้ผ้าแห้งเพื่อเช็ดสิ่งสกปรกออกจากเลนส์ของดวงไฟ ระวังอย่าขีดข่วนเลนส์ของดวงไฟ ไม่เช่นนั้น อาจทำให้ส่องสว่างได้น้อยลง

การใช้งานสวิตช์เปลี่ยนทิศทาง

▶ **หมายเลข 5:** 1. ก้านสวิตช์เปลี่ยนทิศทาง

⚠ ข้อควรระวัง: ตรวจสอบทิศทางการหมุนก่อนการใช้งานเสมอ

⚠ ข้อควรระวัง: ใช้สวิตช์เปลี่ยนทิศทางหลังจากเครื่องมือหยุดสนิทแล้วเท่านั้น การเปลี่ยนทิศทางการหมุนก่อนเครื่องมือหยุดสนิทอาจทำให้เครื่องมือเสียหายได้

⚠ ข้อควรระวัง: เมื่อไม่ได้ใช้งานเครื่องมือ ให้เลื่อนก้านสวิตช์เปลี่ยนทิศทางไปที่ตำแหน่งปกติเสมอ

เครื่องมือนี้มีสวิตช์เปลี่ยนทิศทาง เพื่อใช้เปลี่ยนทิศทางการหมุน ดันก้านสวิตช์เปลี่ยนทิศทางจากด้าน A เพื่อให้หมุนตามเข็มนาฬิกา หรือจากด้าน B เพื่อให้หมุนทวนเข็มนาฬิกา

เมื่อก้านสวิตช์เปลี่ยนทิศทางอยู่ในตำแหน่งปกติ จะไม่สามารถดึงก้านสวิตช์ได้

การประกอบ

⚠ ข้อควรระวัง: ตรวจสอบให้แน่ใจว่าได้ปิดสวิตช์เครื่องมือและถอดถลับแบตเตอรี่ออกก่อนดำเนินการใดๆ กับเครื่องมือ

การติดตั้งด้ามจับด้านข้าง (มือจับเสริม)

⚠ ข้อควรระวัง: ตรวจสอบให้แน่ใจทุกครั้งว่าด้ามจับด้านข้างติดตั้งอยู่อย่างมั่นคงก่อนที่จะทำงาน

ขันสกรูด้ามจับด้านข้างของเครื่องมือให้แน่น ด้ามจับด้านข้างสามารถติดตั้งได้ทั้งสองด้านของเครื่องมือตามความสะดวก

▶ **หมายเลข 6:** 1. ด้ามจับด้านข้าง

การติดตั้งหรือถอดดอกสว่าน

อุปกรณ์เสริม

▶ **หมายเลข 7:** 1. ประแจขันหัวจับ

เมื่อต้องการติดตั้งดอกสว่าน ให้ใส่ดอกสว่านลงในหัวจับจนสุด ขันหัวจับให้แน่นด้วยมือ ใช้ประแจขันหัวจับให้แน่นทั้งสามรูตามเข็มนาฬิกา อย่าลืมนขันหัวจับทั้งสามรูให้แน่นเท่ากัน

เมื่อต้องการถอดดอกสว่าน ให้หมุนประแจขันหัวจับทวนเข็มนาฬิกาเพียงรูเดียว จากนั้นคลายหัวจับด้วยมือหลังจากที่ใช้งานแล้ว ให้เก็บประแจขันหัวจับไว้ที่ช่องสำหรับเก็บประแจบนเครื่องมือ

ตัวยึดประแจขันหัวจับ

▶ **หมายเลข 8:** 1. ตัวยึดประแจขันหัวจับ 2. สกรู

เพื่อติดตั้งตัวยึดประแจขันหัวจับ ให้ติดตั้งตัวยึดเข้ากับส่วนที่โค้งนูนของเสื่อเครื่องมือที่อยู่บนด้านใดด้านหนึ่งแล้วยึดตัวจับด้วยสกรู เมื่อต้องการถอดออก ให้คลายสกรูแล้วดึงออกมา

ขอเกี่ยวติดตั้ง

⚠ ข้อควรระวัง: เมื่อทำการติดตั้งขอเกี่ยว ให้ขันสกรูให้แน่นเสมอ ไม่เช่นนั้น ขอเกี่ยวอาจหลุดออกจากเครื่องมือและอาจทำให้ได้รับบาดเจ็บได้

▶ **หมายเลข 9:** 1. ร่อง 2. ขอเกี่ยว 3. สกรู

ขอเกี่ยวให้ความสะดวกสำหรับการแขวนเครื่องมือไว้ชั่วคราว ซึ่งสามารถติดตั้งไว้ที่ด้านใดด้านหนึ่งของเครื่องมือ เมื่อต้องการติดตั้งขอเกี่ยว ให้ใส่ขอเกี่ยวลงในร่องบนตัวเครื่องมือที่ด้านใดด้านหนึ่ง แล้วยึดติดไว้ด้วยสกรู เมื่อต้องการถอดออก ให้คลายสกรูแล้วดึงออกมา

การใช้งาน

⚠ ข้อควรระวัง: ให้แน่ใจว่าสวิตช์แบตเตอรี่เข้าจนสุดจนกระทั่งได้ยินเสียงล็อกเข้าที่ หากยังเห็นส่วนสีแดงที่ด้านบนของปุ่ม แสดงว่าสวิตช์แบตเตอรี่ยังไม่ล็อกเข้าที่ ให้ดันสวิตช์แบตเตอรี่เข้าจนสุดจนไม่เห็นส่วนสีแดงอีก ไม่นั้นนั้น สวิตช์แบตเตอรี่อาจหลุดออกจากเครื่องมือทำให้คุณหรือคนรอบข้างได้รับบาดเจ็บ

⚠ ข้อควรระวัง: เมื่อความเร็วลดลงอย่างมาก ให้ลดน้ำหนักโหลดหรือหยุดเครื่องมือเพื่อหลีกเลี่ยงไม่ให้เครื่องมือเสียหาย

⚠ ข้อควรระวัง: จับเครื่องมือให้แน่นด้วยมือข้างหนึ่งที่ตั้งำจับของเครื่องมือและใช้มืออีกข้างหนึ่งที่ตั้งำจับด้านข้างเมื่อใช้งานเครื่องมือ

▶ หมายเลข 10

การเจาะ

การเจาะไม้

เพื่อให้ได้ผลดีในการเจาะไม้ ควรใช้สว่านเจาะไม้ควบคู่กับสกรูนำ สกรูนำจะช่วยให้การเจาะง่ายขึ้น โดยการดึงดอกสว่านลงในชิ้นงาน

การเจาะโลหะ

เพื่อป้องกันดอกสว่านเลื่อนเมื่อเริ่มเจาะรู ให้ทำรอยตัดด้วยเหล็กเจาะนำศูนย์และค้อนในจุดที่จะเจาะ วางปลายดอกสว่านที่รอยตัด และเริ่มเจาะ ใช้สารหล่อลื่นสำหรับการตัดเมื่อเจาะโลหะ ยกเว้นการเจาะเหล็กและทองเหลือง ซึ่งควรเจาะแบบแห้ง

⚠ ข้อควรระวัง: การออกแรงกดบนเครื่องมือไม่ช่วยให้การเจาะเร็วขึ้น ตามข้อเท็จจริงแล้ว แรงกดที่มากเกินไปจะทำให้ปลายดอกสว่านเสียหาย ลดประสิทธิภาพและอายุการใช้งานของเครื่องมือ

⚠ ข้อควรระวัง: จับเครื่องมือให้แน่น และมีटरระวังเมื่อดอกสว่านเริ่มเจาะทะลุชิ้นงาน จะมีแรงกดบนเครื่องมือ/ดอกสว่านอย่างมากขณะเจาะรู

⚠ ข้อควรระวัง: ดอกสว่านที่ติดอยู่ที่ชิ้นงานสามารถนำออกมาได้ง่ายโดยการเลื่อนสวิตช์เปลี่ยนทิศทางให้ดอกสว่านหมุนย้อนกลับ อย่างไรก็ตาม เครื่องมืออาจถอยออกทันทีโดยที่คุณไม่ทันตั้งตัว คุณจึงควรจับเครื่องมือไว้ให้แน่น

⚠ ข้อควรระวัง: ยึดชิ้นงานด้วยปากกาจับงาน หรืออุปกรณ์จับยึดที่คล้ายคลึงกันเสมอ

⚠ ข้อควรระวัง: หากใช้งานเครื่องมืออย่างต่อเนื่องจนกระทั่งสวิตช์แบตเตอรี่หมดไฟ ให้พักเครื่องมือไว้ประมาณ 15 นาทีก่อนใส่แบตเตอรี่ที่ชาร์จไฟใหม่

การบำรุงรักษา

⚠ ข้อควรระวัง: ตรวจสอบให้แน่ใจว่าได้ปิดสวิตช์เครื่องมือและถอดสวิตช์แบตเตอรี่ออกก่อนทำการตรวจสอบหรือบำรุงรักษา

ข้อสังเกต: อย่าใช้น้ำมันเชื้อเพลิง เบนซิน ทินเนอร์ แอลกอฮอล์ หรือวัสดุประเภทเดียวกัน เนื่องจากอาจทำให้ลื่นหรือเสียหายได้

เพื่อความปลอดภัยและนำเชื้ออื้อของผลิตภัณฑ์ ควรให้ศูนย์บริการหรือโรงงานที่ผ่านการรับรองจาก Makita เป็นผู้ดำเนินการซ่อมแซม บำรุงรักษาและทำการปรับตั้งอื่นๆ นอกจากนี้ให้ใช้ของไหลของแท้จาก Makita เสมอ

อุปกรณ์เสริม

⚠ ข้อควรระวัง: ขอแนะนำให้ใช้เฉพาะอุปกรณ์เสริมหรืออุปกรณ์ต่อพ่วงเหล่านี้กับเครื่องมือ Makita ที่ระบุในคู่มือการใช้อุปกรณ์เสริมหรืออุปกรณ์ต่อพ่วงอื่นๆ อาจมีความเสี่ยงที่จะได้รับบาดเจ็บ ใช้อุปกรณ์เสริมหรืออุปกรณ์ต่อพ่วงตามวัตถุประสงค์ที่ระบุไว้เท่านั้น

หากต้องการทราบรายละเอียดเพิ่มเติมเกี่ยวกับอุปกรณ์เสริมเหล่านี้ โปรดสอบถามศูนย์บริการ Makita ใกล้บ้านคุณ

- ดอกสว่าน
- ประแจขันหัวจับ
- ดัวยึดประแจขันหัวจับ
- ขอบเกี่ยว
- กระเป๋าดึงพลาสติก
- แบตเตอรี่และเครื่องชาร์จ Makita ของแท้

หมายเหตุ: อุปกรณ์บางรายการอาจจะรวมอยู่ในชุดเครื่องมือเป็นอุปกรณ์มาตรฐาน ซึ่งอาจแตกต่างกันไปในแต่ละประเทศ

Makita Corporation
3-11-8, Sumiyoshi-cho,
Anjo, Aichi 446-8502 Japan
www.makita.com

885283B376
EN, ZHCN, ID,
VI, TH
20200211