



VN	VIETNAM
----	---------

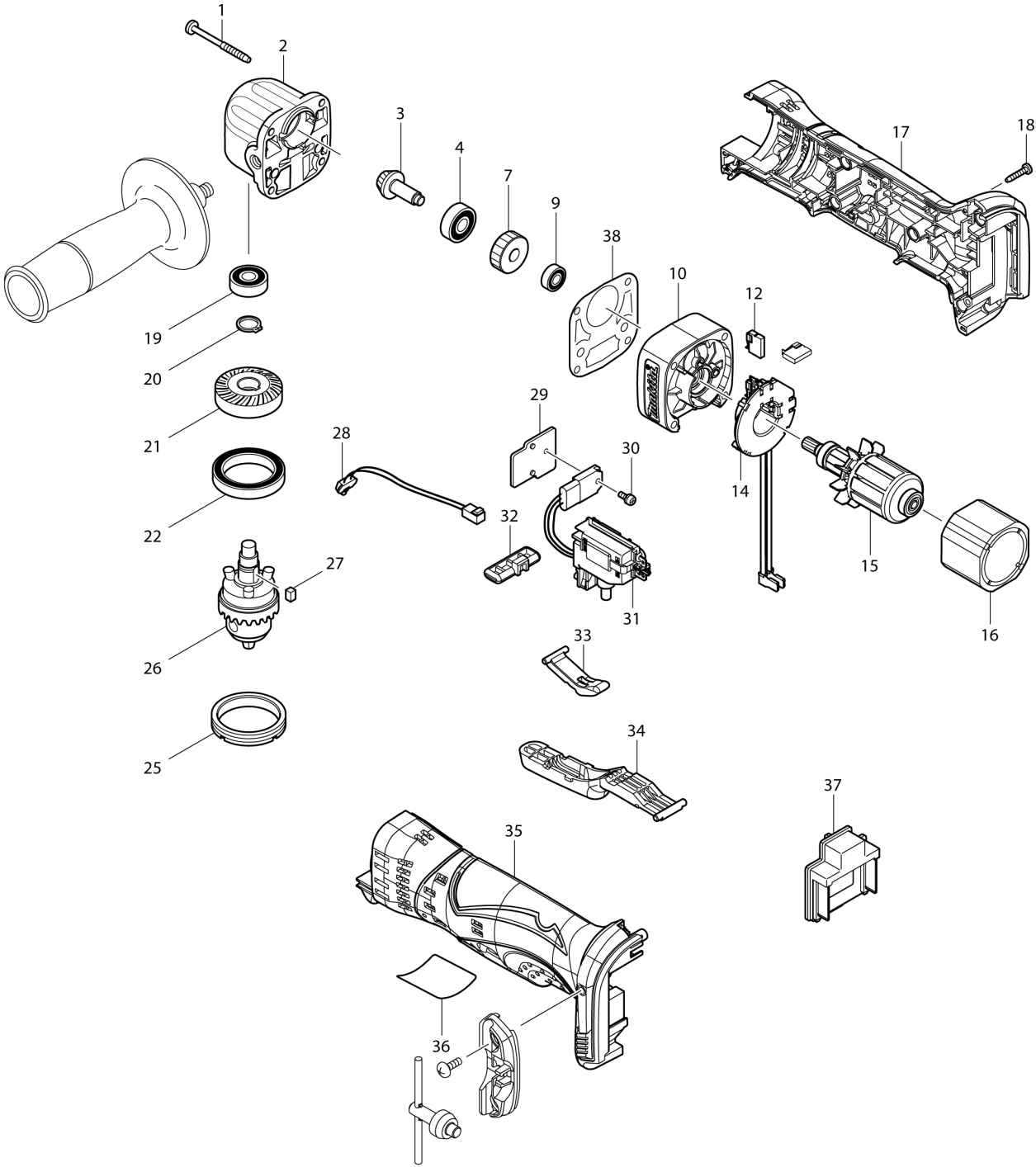
Diagram / Parts List

DDA340

CORDLESS ANGLE DRILL 10MM



(VN) DDA340 / CORDLESS ANGLE DRILL 10MM



VN	VIETNAM
-----------	----------------

DDA340 / CORDLESS ANGLE DRILL 10MM

Item	Sub	Parts No.	Parts Description	Qty	I/C	E/C No.	Close No.	Remark
001		266069-6	TAPPING SCREW 4X45	4				
002		317635-3	GEAR HOUSING	1				
003		227436-0	SPIRAL BEVEL GEAR 9	1				
004		210029-0	BALL BEARING 608ZZ	1				
007		227230-0	SPUR GEAR 29	1				
009		210033-9	BALL BEARING 696ZZ	1				
010		450607-6	GEAR HOUSING COVER	1				
012		195021-6	CARBON BRUSH SET CB-440	1				
014		539189-2	BRUSH HOLDER ASSY	1				
	D10		INC. 12					
015		619232-4	ARMATURE	1				
016		638613-3	YOKE UNIT	1				
017		187129-0	HOUSING SET	1				
	D10		INC. 35					
018		266130-9	TAPPING SCREW BIND PT 3X16	5				
019		210029-0	BALL BEARING 608ZZ	1				
020		961052-5	RETAINING RING S-12	1				
021		227536-6	SPIRAL BEVEL GEAR 26	1				
022		211423-9	BALL BEARING 6806DDW	1				
025		285842-5	BEARING RETAINER 36-43	1				
026		763174-5	DRILL CHUCK S10	1				
027		254201-4	KEY 4	1				
028		631814-2	LED CIRCUIT	1				
029		689098-6	HEAT SINK	1				
030		911006-2	PAN HEAD SCREW M3X8	1				
031		632B91-1	SWITCH UNIT	1				
032		450610-7	F/R CHANGE LEVER	1				
033		450609-2	LINK	1				
034		450608-4	SWITCH LAVER	1				
035		187129-0	HOUSING SET	1				
	D10		INC. 17					
036		815N93-6	DDA340 NAME PLATE	1				
037		643867-9	TERMINAL	1				
038		418036-9	GASKET	1				
A01		153489-2	GRIP 36 COMPLETE	1				
A02		251314-2	+ SCREW M4X12	1				
A03		450688-0	KEY HOLDER	1				
A04		763415-9	CHUCK KEY S10	1				
A05B		***DC18RC	DC18RC FAST CHARGER	1				
A05C		***DC18RC	DC18RC FAST CHARGER	1				
A06B		194065-3	BATTERY BL1430 SET	2			A5785	
A06-1B		194065-3	BATTERY BL1430 SET	2	O	A5785	B2743	
A06-1C		196388-5	BATTERY BL1440 SET	2			C2086	
A06-2B		197616-1	BATTERY BL1430B SET	2	<	B2743	C6747	
A06-2C		196388-5	BATTERY BL1440 SET	2	O	C2086		
A06-3B		197616-1	BATTERY BL1430B SET	2	O	C6747		
A07B		450128-8	BATTERY COVER	1				
A07C		450128-8	BATTERY COVER	1				
A08B		141358-9	PLASTIC CARRYING CASE	1				
	C10	163455-1	LATCH	2				
	C20	419360-3	HANDLE	1				
A08C		141358-9	PLASTIC CARRYING CASE	1				
	C10	163455-1	LATCH	2				
	C20	419360-3	HANDLE	1				

B:DDA340RFE(H)
C:DDA340RME(H)

Interchange
O : Yes
X : No
< : the new part can be substituted for the current.
> : the current part can be substituted for the new.
S : Interchangeable as a set.