



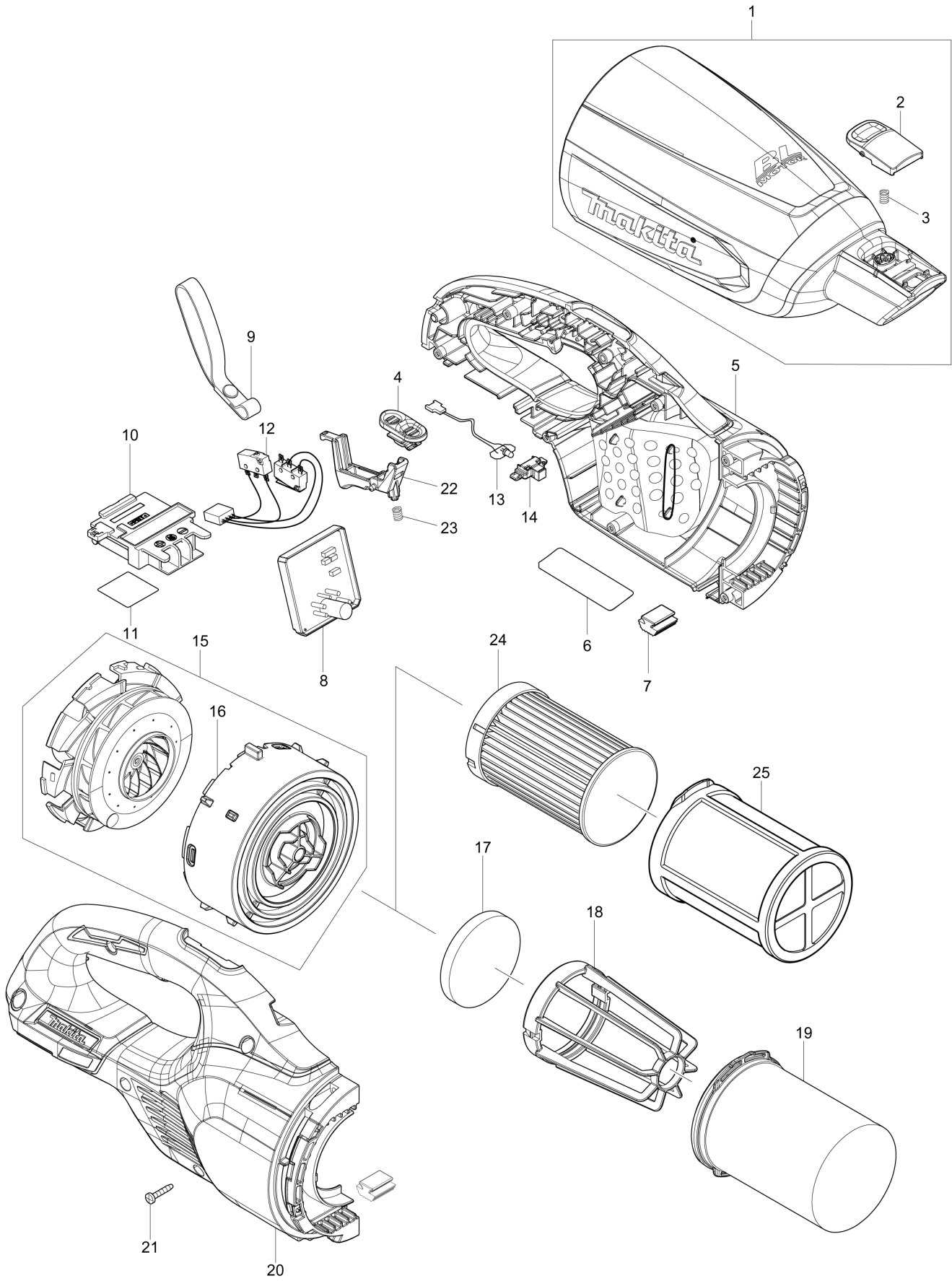
VN	VIETNAM
----	---------

Diagram / Parts List

DCL280F

CORDLESS CLEANER

(VN) DCL280F / CORDLESS CLEANER



VN	VIETNAM
-----------	----------------

DCL280F / CORDLESS CLEANER

Item	Sub	Parts No.	Parts Description	Qty	I/C	E/C No.	Close No.	Remark
001A		136105-1	CAPSULE ASS'Y	1				
001B		136105-1	CAPSULE ASS'Y	1				
001C		136096-6	CAPSULE COMPLETE ASS'Y	1				
001D		136096-6	CAPSULE COMPLETE ASS'Y	1				
001E		136106-9	CAPSULE ASS'Y	1				
	C10	266326-2	TAPPING SCREW 4X18	1				
	C20	424208-6	VALVE	1				
	C30	941051-3	FLAT WASHER 4	1				
	D10		INC. 2,3					
002		458939-5	BUTTON A	1				
003		232485-4	COMPRESSION SPRING 5	1				
004		459326-1	SLIDE SWITCH	1				
005A		183M07-0	HOUSING SET	1				
005B		183M07-0	HOUSING SET	1				
005C		183L72-3	HOUSING SET	1				
005D		183L72-3	HOUSING SET	1				
005E		183M09-6	HOUSING SET	1				
	C10	263005-3	RUBBER PIN 6	2				
	C20	422458-7	SPONGE SHEET 55-80	2				
	C30	213008-7	O RING 22.4	2				
	D10		INC. 7,20					
006		855S96-8	DCL280F NAME PLATE	1				
007		422460-0	RUBBER PLATE	2				
008		620A74-7	CONTROLLER	1				
009		163400-6	HANDSTRAP	1		DB918		
010		643874-2	TERMINAL	1				
011		855T03-7	DCL280F SERIAL NO. LABEL	1				
012		632N57-3	SWITCH UNIT	1				
013		620A76-3	LED CIRCUIT	1			D5628	
013-1		620E82-2	LED CIRCUIT	1	<	D5628		
014		459478-8	LENS CASE	1				
015		136091-6	MOTOR ASS'Y	1				
	D10		INC. 16					
016		459322-9	FAN COVER	1				
020A		183M07-0	HOUSING SET	1				
020B		183M07-0	HOUSING SET	1				
020C		183L72-3	HOUSING SET	1				
020D		183L72-3	HOUSING SET	1				
020E		183M09-6	HOUSING SET	1				
	C10	263005-3	RUBBER PIN 6	2				
	C20	422458-7	SPONGE SHEET 55-80	2				
	C30	213008-7	O RING 22.4	2				
	D10		INC. 5,7					
021		266429-2	TAPPING SCREW 3X16	7				
022		459324-5	SWITCH LEVER	1				
023		232485-4	COMPRESSION SPRING 5	1				
024		199989-8	FILTER H SET	1				
025		198750-0	PRE FILTER SET	1			D2127	
025-1		199966-0	EASY SHAKE OFF FILTER B SET	1	O	D2127		
A01A		123488-8	FLOOR T-NOZZLE 28 BLU	1				
A01B		123488-8	FLOOR T-NOZZLE 28 BLU	1				
A01C		123486-2	FLOOR T-NOZZLE 28 WHI	1				
A01D		123486-2	FLOOR T-NOZZLE 28 WHI	1				
A01E		123539-7	FLOOR T-NOZZLE 28 BLA	1				
	C10	451410-8	ROLLER	4				
	C20	268208-4	PIN 3	4				
	C30	424096-1	WIPER	1				
A02A		451243-1	SASH NOZZLE 28 BLU	1				
A02B		451243-1	SASH NOZZLE 28 BLU	1				
A02C		451240-7	SASH NOZZLE 28 WHI	1				
A02D		451240-7	SASH NOZZLE 28 WHI	1				
A02E		456586-6	SASH NOZZLE 28 BLK	1				
A03A		459356-2	PIPE	1				
A03B		459356-2	PIPE	1				
A03C		459353-8	PIPE	1				

A:DCL280FZ(N)
 B:DCL280FRF(H)
 C:DCL280FZW(N)
 D:DCL280FRFW(H)
 E:DCL280FZB(N)

Interchange
 O : Yes
 X : No
 < : the new part can be substituted for the current.
 > : the current part can be substituted for the new.
 S : Interchangeable as a set.

