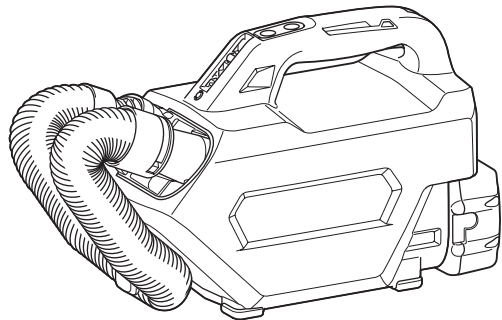




EN	Cordless Cleaner	INSTRUCTION MANUAL	8
ZHCN	充电式吸尘器	使用说明书	16
ID	Pembersih Tanpa Kabel	PETUNJUK PENGGUNAAN	24
MS	Pembersih Tanpa Kord	MANUAL ARAHAN	33
VI	Máy Hút Bụi Cầm Tay Hoạt Động Bằng Pin	TÀI LIỆU HƯỚNG DẪN	42
TH	เครื่องดูดฝุ่นไร้สาย	คู่มือการใช้งาน	50

DCL184



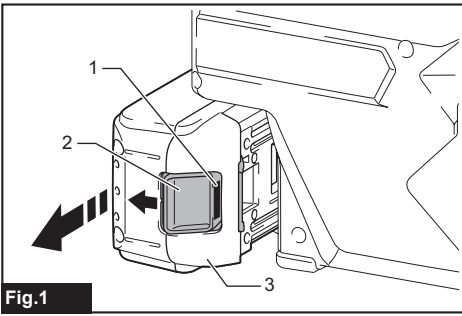


Fig.1

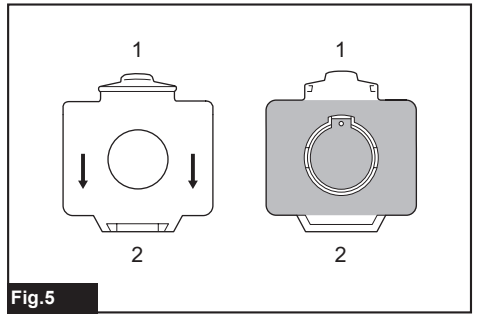


Fig.5

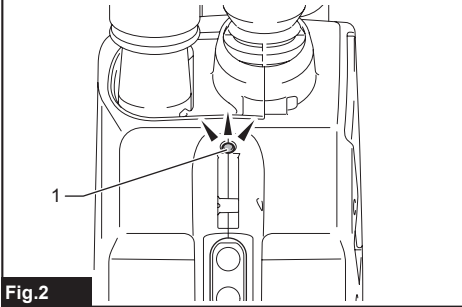


Fig.2

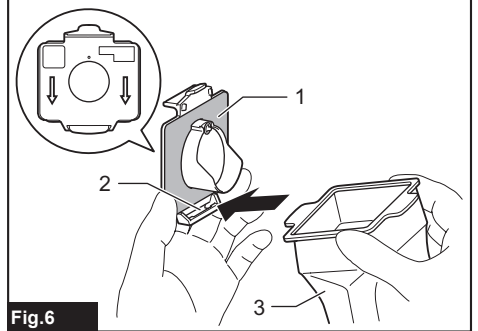


Fig.6

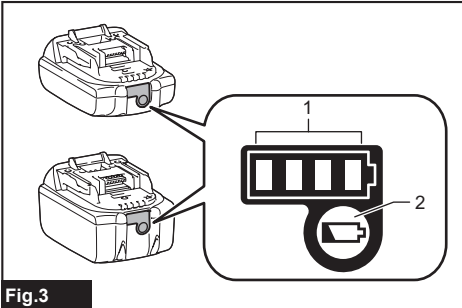


Fig.3

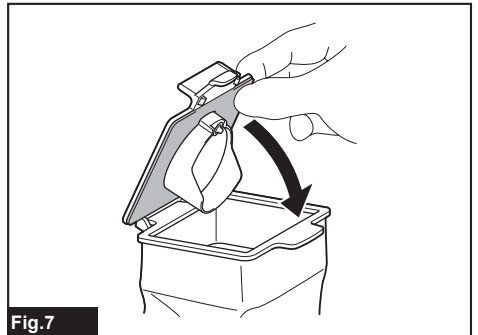


Fig.7

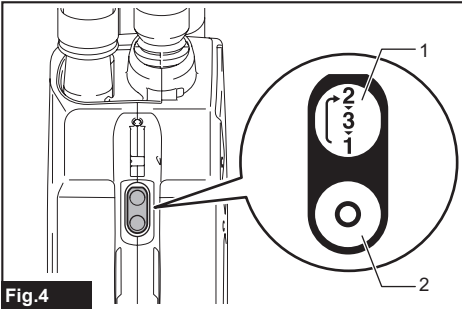


Fig.4

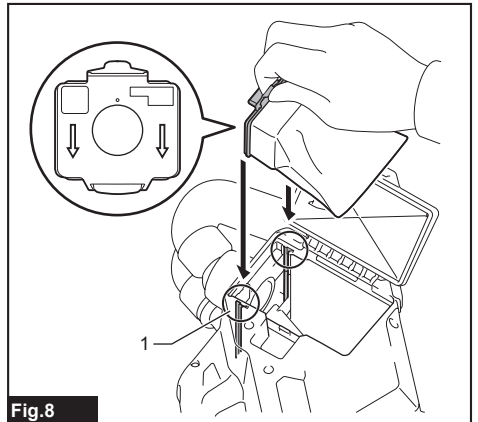


Fig.8

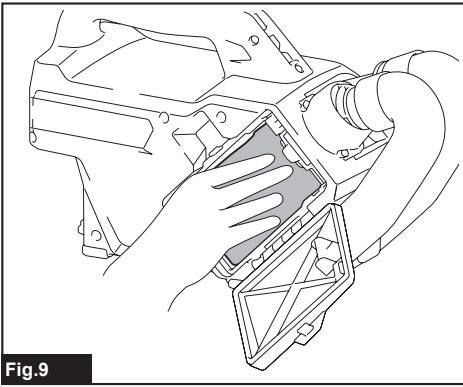


Fig.9

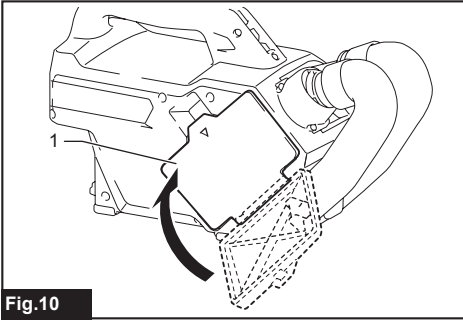


Fig.10

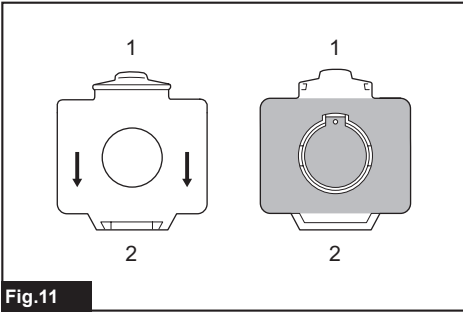


Fig.11

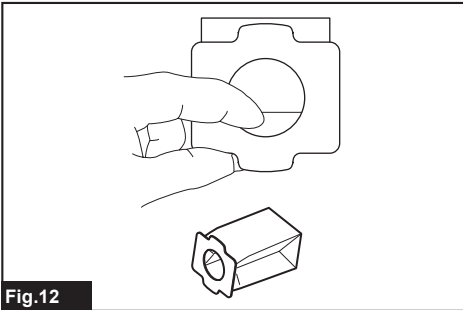


Fig.12

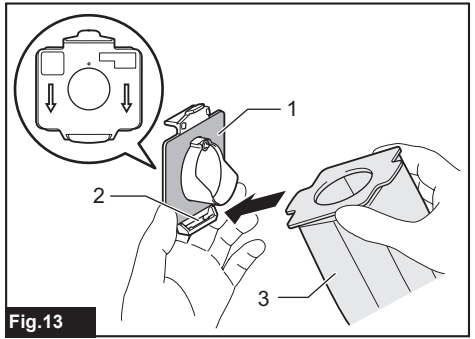


Fig.13

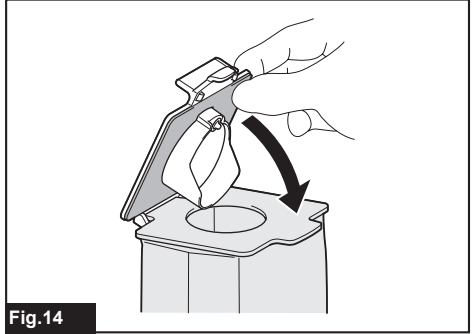


Fig.14

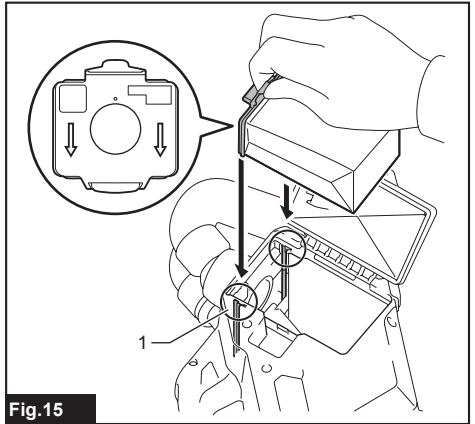


Fig.15

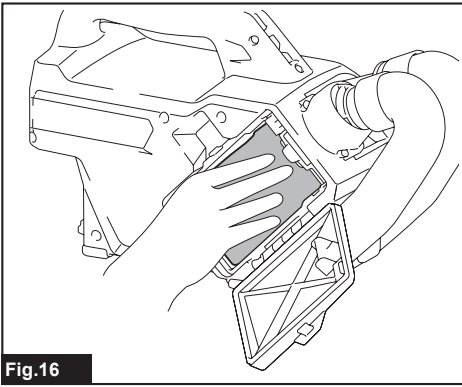


Fig.16

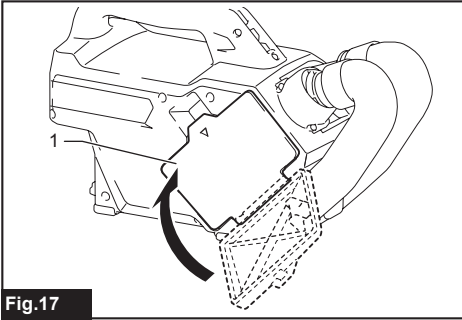


Fig.17

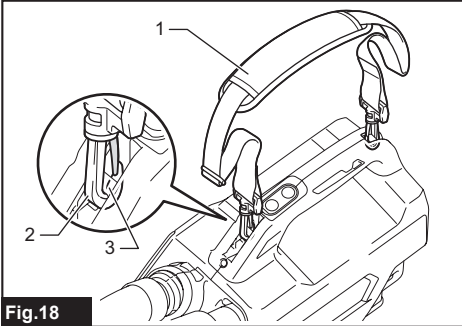


Fig.18

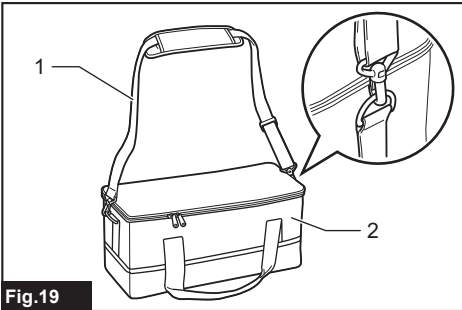


Fig.19

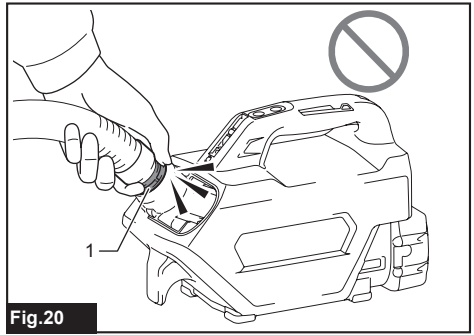


Fig.20

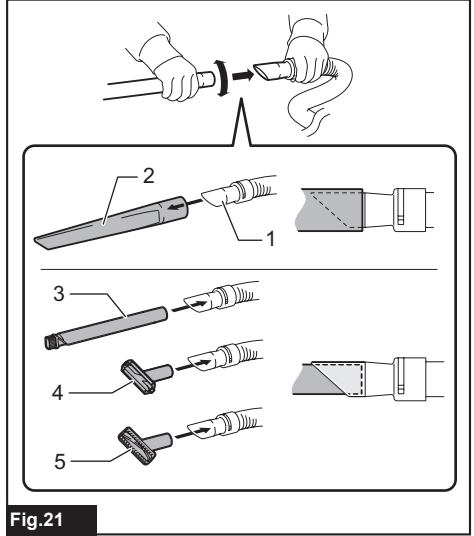


Fig.21

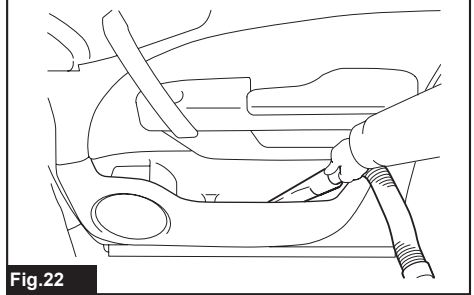
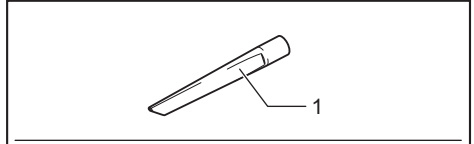


Fig.22

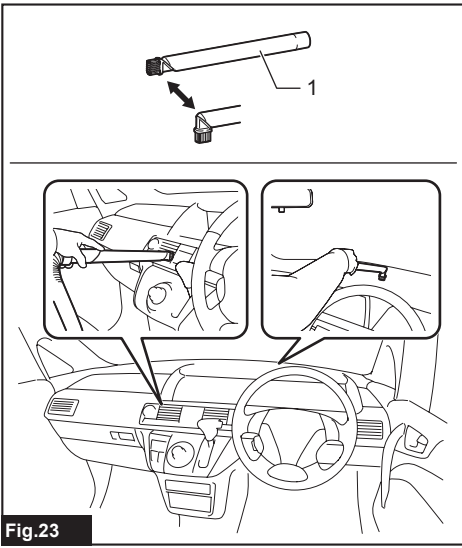


Fig. 23

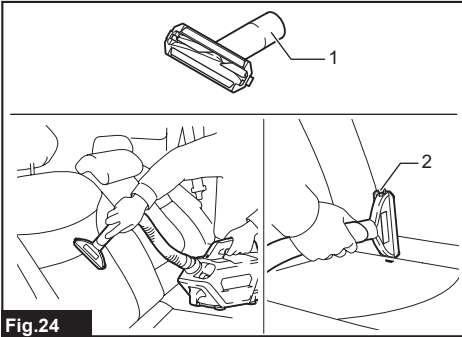


Fig. 24

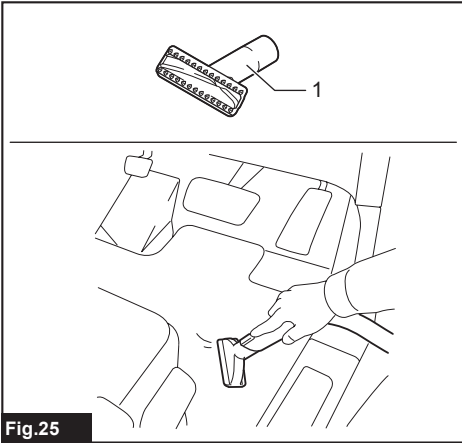


Fig. 25

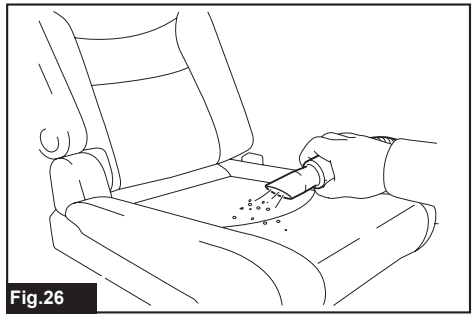


Fig. 26

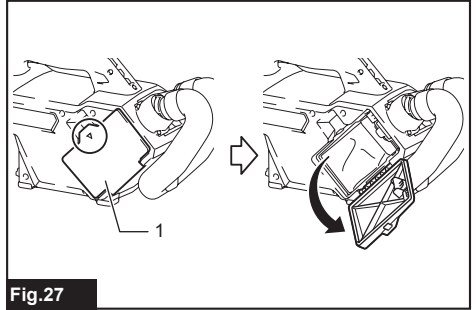


Fig. 27

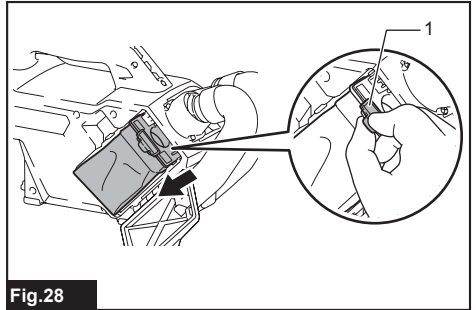


Fig. 28

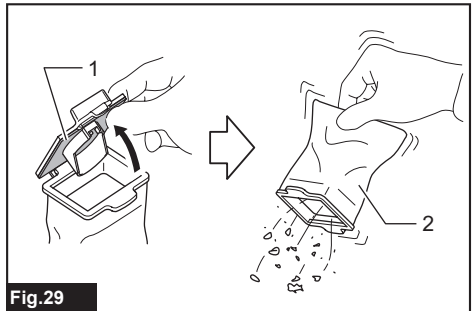


Fig. 29

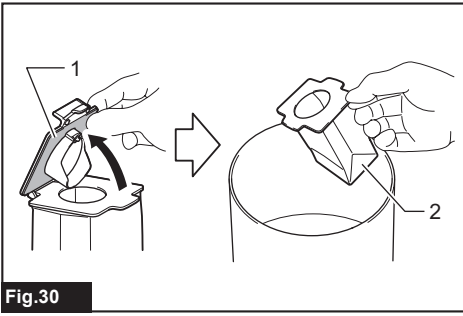


Fig.30

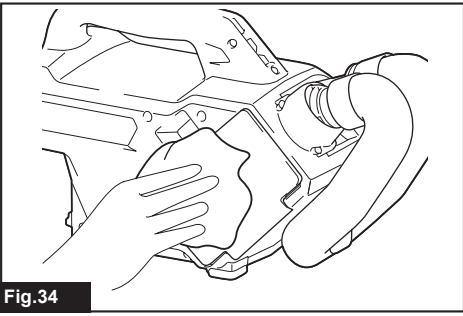


Fig.34

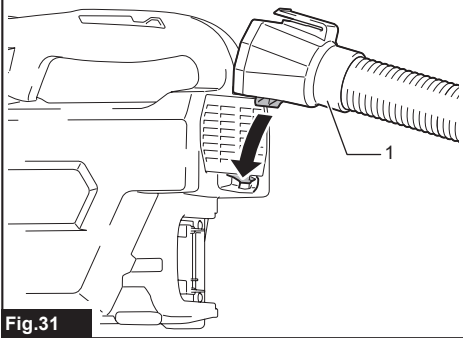


Fig.31

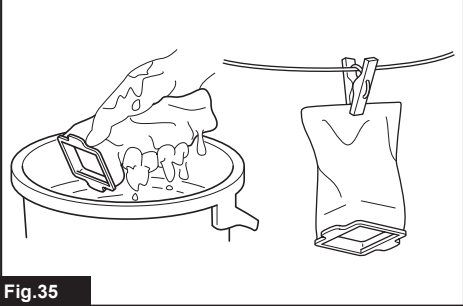


Fig.35

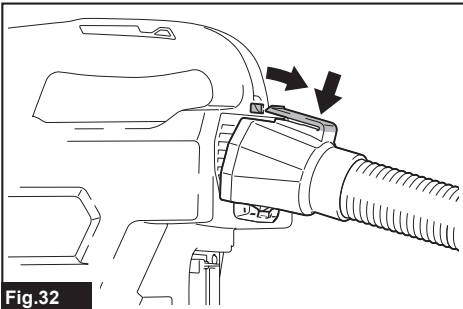


Fig.32

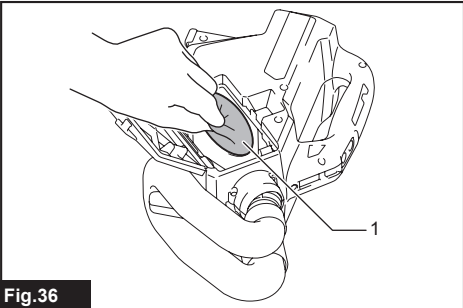


Fig.36

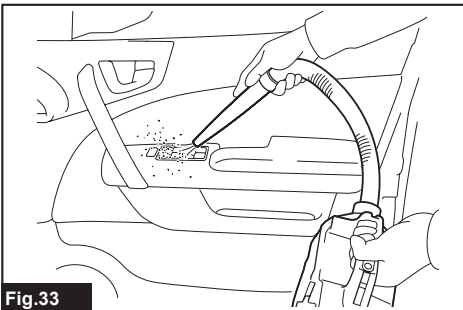


Fig.33

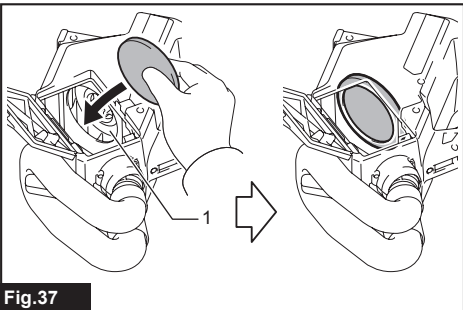


Fig.37

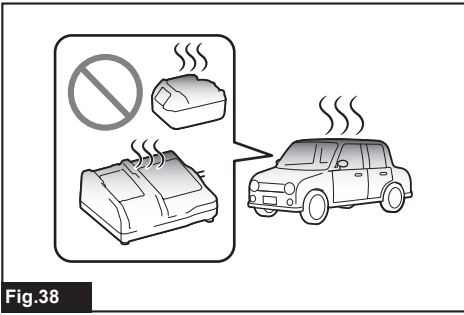


Fig.38

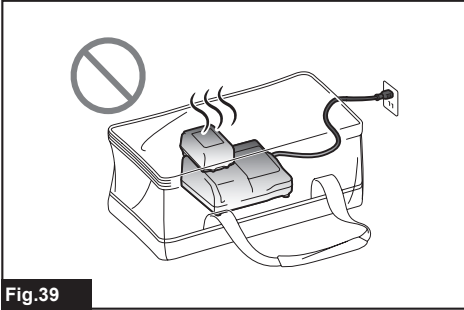


Fig.39

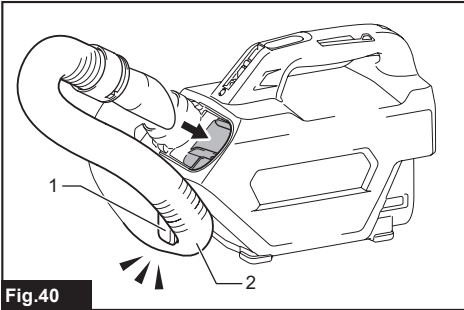


Fig.40

WARNING

- This appliance can be used by children aged from 8 years and above and persons with reduced physical, sensory or mental capabilities or lack of experience and knowledge if they have been given supervision or instruction concerning use of the appliance in a safe way and understand the hazards involved.
- Children shall not play with the appliance. Cleaning and user maintenance shall not be made by children without supervision.
- See the chapter "SPECIFICATIONS" for the type reference of the battery.
- See the section "Installing or removing battery cartridge" for how to remove or install the battery.
- When disposing the battery cartridge, remove it from the tool and dispose of it in a safe place. Follow your local regulations relating to disposal of battery.
- If the tool is not used for a long period of time, the battery must be removed from the tool.
- Do not short the battery cartridge.
- See the chapter "MAINTENANCE" for the appropriate details of precautions during user maintenance.

SPECIFICATIONS

Model:		DCL184
Capacity	with a dust bag	500 mL
	with a paper filter	330 mL
Continuous use (with battery BL1830B)	1 (Normal speed mode)	Approx. 80 min
	2 (High speed mode)	Approx. 30 min
	3 (Max speed mode)	Approx. 20 min
Overall length (with battery BL1830B)		365 mm
Rated voltage		D.C. 18 V
Net weight		1.8 - 2.2 kg

- Due to our continuing program of research and development, the specifications herein are subject to change without notice.
- Specifications may differ from country to country.
- The weight does not include accessories but battery cartridge(s). The lightest and heaviest combination weight of the appliance and battery cartridge(s) are shown in the table.

Applicable battery cartridge and charger

Battery cartridge	BL1815N / BL1820B / BL1830B / BL1840B / BL1850B / BL1860B
Charger	DC18RC / DC18RD / DC18RE / DC18SD / DC18SE / DC18SF / DC18SH

- Some of the battery cartridges and chargers listed above may not be available depending on your region of residence.

⚠ WARNING: Only use the battery cartridges and chargers listed above. Use of any other battery cartridges and chargers may cause injury and/or fire.

Symbols

The followings show the symbols which may be used for the equipment. Be sure that you understand their meaning before use.



Read instruction manual.



Ni-MH
Li-ion

Only for EU countries

Due to the presence of hazardous components in the equipment, waste electrical and electronic equipment, accumulators and batteries may have a negative impact on the environment and human health. Do not dispose of electrical and electronic appliances or batteries with household waste!

In accordance with the European Directive on waste electrical and electronic equipment and on accumulators and batteries and waste accumulators and batteries, as well as their adaptation to national law, waste electrical equipment, batteries and accumulators should be stored separately and delivered to a separate collection point for municipal waste, operating in accordance with the regulations on environmental protection.

This is indicated by the symbol of the crossed-out wheeled bin placed on the equipment.

Intended use

The tool is intended for collecting dry dust.

SAFETY WARNINGS

Cordless cleaner safety warnings

⚠ WARNING: IMPORTANT! READ CAREFULLY all safety warnings and all instructions BEFORE USE. Failure to follow the warnings and instructions may result in electric shock, fire and/or serious injury.

1. Do not expose to rain. Store indoors.
2. Do not allow to be used as a toy. Close attention is necessary when used by or near children.
3. Use only as described in this manual. Use only manufacturer's recommended attachments.
4. Do not use with damaged battery. If appliance is not working as it should, has been dropped, damaged, left outdoors, or dropped into water, return it to a service center.
5. Do not handle appliance with wet hands.
6. Do not put any object into openings. Do not use with any opening blocked; keep free of dust, lint, hair, and anything that may reduce air flow.
7. Keep hair, loose clothing, fingers, and all parts of body away from openings and moving parts.
8. Turn off all controls before removing the battery.
9. Use extra care when cleaning on stairs.

10. Do not use to pick up flammable or combustible liquids, such as gasoline, or use in areas where they may be present.
11. Use only the charger supplied by the manufacturer to recharge.
12. Do not pick up anything that is burning or smoking, such as cigarettes, matches, or hot ashes.
13. Do not use without dust bag and/or filters in place.
14. Do not charge the battery outdoors.
15. Recharge only with the charger specified by the manufacturer. A charger that is suitable for one type of battery pack may create a risk of fire when used with another battery pack.
16. Use power tools only with specifically designated battery packs. Use of any other battery packs may create a risk of injury and fire.
17. When (the) battery pack is not in use, keep it away from other metal objects, like paper clips, coins, keys, nails, screws or other small metal objects, that can make a connection from one terminal to another.
18. Under abusive conditions, liquid may be ejected from the battery; avoid contact. If contact accidentally occurs, flush with water.
19. Do not use a battery pack or tool that is damaged or modified. Damaged or modified batteries may exhibit unpredictable behaviour resulting in fire, explosion or risk of injury.
20. Do not expose a battery pack or tool to fire or excessive temperature. Exposure to fire or temperature above 130 °C may cause explosion.
21. Follow all charging instructions and do not charge the battery pack or tool outside the temperature range specified in the instructions. Charging improperly or at temperatures outside the specified range may damage the battery and increase the risk of fire.

SAVE THESE INSTRUCTIONS.

ADDITIONAL SAFETY RULES

This appliance is intended for household use.

1. Read this instruction manual and the charger instruction manual carefully before use.
2. Do not pick up the following materials:
 - Hot materials such as lit cigarettes or spark/metal dust generated by grinding/cutting metal
 - Flammable materials such as gasoline, thinner, benzene, kerosene or paint
 - Explosive materials like nitroglycerin
 - Ignitable materials such as Aluminum, zinc, magnesium, titanium, phosphorus or celluloid
 - Wet dirt, water, oil or the like
 - Hard pieces with sharp edges, such as wood chips, metals, stones, glasses, nails, pins or razors
 - Powder to clot such as cement or toner
 - Conductive dust such as metal or carbon
 - Fine particle like concrete dust

- Such action may cause fire, injury and/or property damage.
- 3. Stop operation immediately if you notice anything abnormal.
- 4. If you drop or strike the cleaner, check it carefully for cracks or damage before operation.
- 5. Do not bring close to stoves or other heat sources.
- 6. Do not block the intake hole or vent holes.

SAVE THESE INSTRUCTIONS.

Important safety instructions for battery cartridge

1. Before using battery cartridge, read all instructions and cautionary markings on (1) battery charger, (2) battery, and (3) product using battery.
2. Do not disassemble or tamper with the battery cartridge. It may result in a fire, excessive heat, or explosion.
3. If operating time has become excessively shorter, stop operating immediately. It may result in a risk of overheating, possible burns and even an explosion.
4. If electrolyte gets into your eyes, rinse them out with clear water and seek medical attention right away. It may result in loss of your eyesight.
5. Do not short the battery cartridge:
 - (1) Do not touch the terminals with any conductive material.
 - (2) Avoid storing battery cartridge in a container with other metal objects such as nails, coins, etc.
 - (3) Do not expose battery cartridge to water or rain.

A battery short can cause a large current flow, overheating, possible burns and even a breakdown.

6. Do not store and use the tool and battery cartridge in locations where the temperature may reach or exceed 50 °C (122 °F).
7. Do not incinerate the battery cartridge even if it is severely damaged or is completely worn out. The battery cartridge can explode in a fire.
8. Do not nail, cut, crush, throw, drop the battery cartridge, or hit against a hard object to the battery cartridge. Such conduct may result in a fire, excessive heat, or explosion.
9. Do not use a damaged battery.
10. The contained lithium-ion batteries are subject to the Dangerous Goods Legislation requirements.

For commercial transports e.g. by third parties, forwarding agents, special requirement on packaging and labeling must be observed.

For preparation of the item being shipped, consulting an expert for hazardous material is required. Please also observe possibly more detailed national regulations.

Tape or mask off open contacts and pack up the battery in such a manner that it cannot move around in the packaging.

11. When disposing the battery cartridge, remove it from the tool and dispose of it in a safe place. Follow your local regulations relating to disposal of battery.
12. Use the batteries only with the products specified by Makita. Installing the batteries to non-compliant products may result in a fire, excessive heat, explosion, or leak of electrolyte.
13. If the tool is not used for a long period of time, the battery must be removed from the tool.
14. During and after use, the battery cartridge may take on heat which can cause burns or low temperature burns. Pay attention to the handling of hot battery cartridges.
15. Do not touch the terminal of the tool immediately after use as it may get hot enough to cause burns.
16. Do not allow chips, dust, or soil stuck into the terminals, holes, and grooves of the battery cartridge. It may result in poor performance or breakdown of the tool or battery cartridge.
17. Unless the tool supports the use near high-voltage electrical power lines, do not use the battery cartridge near high-voltage electrical power lines. It may result in a malfunction or breakdown of the tool or battery cartridge.
18. Keep the battery away from children.

SAVE THESE INSTRUCTIONS.

⚠ CAUTION: Only use genuine Makita batteries. Use of non-genuine Makita batteries, or batteries that have been altered, may result in the battery bursting causing fires, personal injury and damage. It will also void the Makita warranty for the Makita tool and charger.

Tips for maintaining maximum battery life

1. Charge the battery cartridge before completely discharged. Always stop tool operation and charge the battery cartridge when you notice less tool power.
2. Never recharge a fully charged battery cartridge. Overcharging shortens the battery service life.
3. Charge the battery cartridge with room temperature at 10 °C - 40 °C (50 °F - 104 °F). Let a hot battery cartridge cool down before charging it.
4. When not using the battery cartridge, remove it from the tool or the charger.
5. Charge the battery cartridge if you do not use it for a long period (more than six months).

FUNCTIONAL DESCRIPTION

CAUTION: Always be sure that the tool is switched off and the battery cartridge is removed before adjusting or checking function on the tool.

CAUTION: Take care not to trap finger(s) between cleaner and battery when loading battery. Trapping finger(s) may cause injury.

Installing or removing battery cartridge

CAUTION: Always switch off the tool before installing or removing of the battery cartridge.

CAUTION: Hold the tool and the battery cartridge firmly when installing or removing battery cartridge. Failure to hold the tool and the battery cartridge firmly may cause them to slip off your hands and result in damage to the tool and battery cartridge and a personal injury.

► Fig.1: 1. Red indicator 2. Button 3. Battery cartridge

To remove the battery cartridge, slide it from the tool while sliding the button on the front of the cartridge.

To install the battery cartridge, align the tongue on the battery cartridge with the groove in the housing and slip it into place. Insert it all the way until it locks in place with a little click. If you can see the red indicator as shown in the figure, it is not locked completely.

CAUTION: Always install the battery cartridge fully until the red indicator cannot be seen. If not, it may accidentally fall out of the tool, causing injury to you or someone around you.

CAUTION: Do not install the battery cartridge forcibly. If the cartridge does not slide in easily, it is not being inserted correctly.

Tool / battery protection system

The tool is equipped with a tool/battery protection system. This system automatically cuts off power to the motor to extend tool and battery life.

The tool will automatically stop during operation if the tool or battery are placed under one of the following conditions. In some conditions, the indication lamp lights up.

► Fig.2: 1. Indication lamp

Overload protection

When the tool is operated in a manner that causes it to draw an abnormally high current, the tool stops automatically and the indicator lights up for about 60 seconds. In this situation, turn the tool off and stop the application that caused the tool to become overloaded. Then turn the tool on to restart.

Overheat protection

When the tool/battery is overheated, the tool stops automatically and the battery indicator lights up for about 60 seconds. The tool does not start even if you turn the tool on. In this situation, let the battery cool before turning the tool on again.

Overdischarge protection

When the remaining battery capacity gets low, the indicator blinks. By further use, the tool stops and the indicator lights up for about 60 seconds. If you turn the tool on, the motor runs again but stops soon. In this situation, charge the battery cartridge.

NOTE: The timing, at which the lamp lights up, depends on the temperature at work place and the battery cartridge conditions.

Indicating the remaining battery capacity

Only for battery cartridges with the indicator

► Fig.3: 1. Indicator lamps 2. Check button

Press the check button on the battery cartridge to indicate the remaining battery capacity. The indicator lamps light up for a few seconds.

Indicator lamps			Remaining capacity
Lighted	Off	Blinking	
■ ■ ■ ■			75% to 100%
■ ■ ■ □			50% to 75%
■ ■ □ □			25% to 50%
■ □ □ □			0% to 25%
▣ □ □ □			Charge the battery.
■ ■ □ □			The battery may have malfunctioned.
□ □ ■ ■			

NOTE: Depending on the conditions of use and the ambient temperature, the indication may differ slightly from the actual capacity.

NOTE: The first (far left) indicator lamp will blink when the battery protection system works.

Switch action

► **Fig.4:** 1. ON/speed change button 2. OFF button

To start the cleaner, simply push the ON/speed change button. To switch off, push the OFF button.

You can change the cleaner speed in three steps by pushing the ON/speed change button.

The first push on this button is for high speed mode, the second push for max speed mode and the third push for normal speed mode. Each push on this button repeats the high/max/normal speed cycle alternatively.

ASSEMBLY

⚠ CAUTION: Always be sure that the tool is switched off and the battery cartridge is removed before carrying out any work on the tool.

Dust bag and paper filter

Install either dust bag or paper filter before using cleaner.

Use the dust stopper when installing either dust bag or paper filter.

Dust bag are usable many times repeatedly by cleaning it out.

Paper filter is a throw-away type. Throw away the entire paper filter without emptying when it has become full.

NOTICE: To prevent dust from getting into the motor:

- **Make sure that the dust bag or paper filter is installed before use.**
- **Insert the dust stopper together with the dust bag or paper filter all the way into the slots when installing them.**
- **Do not use a broken or ripped bag.**

Otherwise the motor may be broken.

NOTICE: Do not fold the cardboard at its opening when installing the paper filter.

NOTICE: Never throw away the dust stopper because it needs to be used repeatedly whenever either the dust bag or the paper filter is used.

NOTICE: The paper filter for the cleaner is an important component for maintaining the tool performance. Using other than the genuine paper filter may cause smokes or ignition.

Installing dust bag

Use the dust stopper when installing dust bag. Be careful not to take the upper side for the lower side by mistake because they are different each other.

► **Fig.5:** 1. Upper side of the dust stopper 2. Lower side of the dust stopper

1. Insert the protrusion of the dust bag into the groove on the dust stopper as shown in the figure.

The dust bag does not have distinction between the upper and lower sides. You can insert its protrusion of either side into the groove of the dust stopper.

► **Fig.6:** 1. Dust stopper 2. Groove 3. Dust bag

2. Overlap the frame of dust stopper with that of the dust bag.

► **Fig.7**

3. Place the dust stopper and the dust bag together into the cleaner cavity in the same direction of arrow on the dust stopper. Insert them all the way into the slots in the cleaner cavity.

► **Fig.8:** 1. Slot

4. Place the entire cloth part of the dust bag inside the cleaner itself.

► **Fig.9**

5. Close the dust case cover completely.

► **Fig.10:** 1. Dust case cover

NOTE: When the dust bag is not installed in the cleaner, the dust case cover does not close completely.

Installing the paper filter

Use the dust stopper also when installing paper filter.

Be careful not to take the upper side for the lower side by mistake because they are different each other.

► **Fig.11:** 1. Upper side of the dust stopper 2. Lower side of the dust stopper

1. Unfold the entrance of the paper filter before setting it on the dust stopper.

► **Fig.12**

2. Insert the protrusion of the paper filter into the groove on the dust stopper as shown in the figure.

The paper filter does not have distinction between the upper and lower sides. You can insert its protrusion of either side into the groove of the dust stopper.

► **Fig.13:** 1. Dust stopper 2. Groove 3. Paper filter

3. Overlap the frame of dust stopper with that of the paper filter.

► **Fig.14**

4. Place the dust stopper and the paper filter together into the cleaner cavity in the same direction of arrow on the dust stopper. Insert them all the way into the slots in the cleaner cavity.

► **Fig.15:** 1. Slot

5. Place the entire container part of the paper filter inside the tool itself.

► **Fig.16**

6. Close the dust case cover completely.

► **Fig.17:** 1. Dust case cover

NOTE: When the paper filter is not installed in the cleaner, the dust case cover does not close completely.

Installing the shoulder strap

CAUTION: Be careful not to get the shoulder strap caught by objects in your surroundings.

CAUTION: Be careful not to slip the shoulder strap off your shoulder when using the cleaner. For stable handling of the cleaner, it is recommended to wear the shoulder strap crossed in front of your chest.

Attach the hooks of the shoulder strap onto the mounts of the cleaner as shown in the figure.

► **Fig.18:** 1. Shoulder strap 2. Hook 3. Mount

NOTE: You can also attach the shoulder strap to the soft bag (optional accessory) as illustrated.

► **Fig.19:** 1. Shoulder strap 2. Soft bag

OPERATION

CAUTION: Always hold the handle when carrying the cleaner. If you hold the attachment part to carry, it may come off from the cleaner and result in personal injury.

CAUTION: Do not use the appliance while driving a car or the engine is running.

CAUTION: Do not grasp the hose joint as shown in the figure. Holding the hose joint may get your finger pinched.

► **Fig.20:** 1. Hose joint

Using as a vacuum cleaner

NOTE: Remove the blower attachment before vacuum cleaning. If the blower attachment is attached to the cleaner, the suction power will be reduced.

Installing or removing the cleaner attachment

To connect an attachment such as a nozzle, twist and insert it securely to the hose. To disconnect, twist and remove it.

The way of installation varies depending on the nozzles as illustrated.

► **Fig.21:** 1. Hose 2. Rubber nozzle 3. Soft brush
4. Seat nozzle 5. Mat nozzle

Vacuum cleaning

Rubber nozzle

This nozzle is convenient for cleaning bottom corners such as a door pocket. The rubber nozzle is gentle to the cleaning surface.

► **Fig.22:** 1. Rubber nozzle

Soft brush

This nozzle is convenient for cleaning the air conditioner vents, dashboard, etc. The head of the soft brush can be turned to right angle.

► **Fig.23:** 1. Soft brush

Seat nozzle

This nozzle has lint brush to clean the seat surface. The side brush on the nozzle is useful for raking dust out of the seams.

► **Fig.24:** 1. Seat nozzle 2. Side brush

Mat nozzle

This nozzle is used for cleaning the floor mat and carpet. The teeth on the nozzle help raking out sand grains.

► **Fig.25:** 1. Mat nozzle

NOTICE: Always use the mat nozzle for cleaning a mat. Using the mat nozzle for other materials may scratch its surface.

Cleaning without nozzle

You can perform vacuum cleaning without the nozzle.

► **Fig.26**

Disposing of dust

CAUTION: Empty the dust bag or replace the paper filter before it becomes full. If not, the suction/blowing force weakens.

CAUTION: When closing the dust case cover, be careful not to pinch your fingers.

NOTICE: Never throw away the dust stopper because it should be used whenever either the dust bag or the paper filter is used.

NOTICE: When the dust bag/paper filter is not inside of the cleaner, the dust case cover does not close completely. Do not force to close the dust case cover. It may result in deforming or breakage of the tool.

NOTICE: When disposing of dust, also clean the room for the dust bag/paper filter. The remaining dust and dirt in the room may cause the sponge filter to be clogged or the motor to be damaged.

1. Open the dust case cover.

► **Fig.27:** 1. Dust case cover

2. Pull out both the orange-colored dust stopper and dust bag/paper filter together at the same time.

► **Fig.28:** 1. Dust stopper

3. When using the dust bag

Remove the dust stopper and empty the dust bag.

► **Fig.29:** 1. Dust stopper 2. Dust bag

When using the paper filter

Remove the dust stopper and dispose of the paper filter.

► **Fig.30:** 1. Dust stopper 2. Paper filter

4. Place the dust bag/new paper filter and dust stopper together into the cleaner and close the dust case cover.

Using as a blower

CAUTION: Never point the nozzle at anyone in the vicinity.

CAUTION: To prevent inhaling dust, it is recommended to open the windows, and also wear protective goggles and mask while operating.

CAUTION: Do not pull the blower attachment. It may come off from the cleaner.

CAUTION: Do not use the cleaner for blowing air into objects, like rubber rafting, balls or other inflatable products. Increased motor revolution may cause dangerous fan breakage.

CAUTION: Never block suction inlet and/or blower outlet. Be careful not to block suction inlet or blower outlet with dust or dirt when operating in dusty area.

CAUTION: Do not use nozzles other than the nozzles provided by Makita.

Installing or removing the blower attachment

To attach the blower attachment, align the protrusion of the blower attachment port with the groove on the vent, and then push it until clicks.

► Fig.31: 1. Blower attachment

To remove the blower attachment, pull the port downward while pressing its top as illustrated.

► Fig.32

Blowing

Point the tip of blower attachment to the object to blow off and then turn on the tool.

► Fig.33

MAINTENANCE

CAUTION: Always be sure that the tool is switched off and the battery cartridge is removed before attempting to perform inspection or maintenance.

NOTICE: Never use gasoline, benzene, thinner, alcohol or the like. Discoloration, deformation or cracks may result.

To maintain product SAFETY and RELIABILITY, repairs, any other maintenance or adjustment should be performed by Makita Authorized or Factory Service Centers, always using Makita replacement parts.

Cleaning

From time to time wipe off the outside (cleaner body) of the cleaner using a cloth dampened in soapy water. Clean out also the suction opening, dust bag/paper filter mounting area and the dust stopper.

► Fig.34

Wash the dust bag in soapy water when it is clogged with dust and the cleaner power becomes weak. Dry it out thoroughly before use. An insufficiently dried filter may cause poor suction and shorten the service life of the motor.

► Fig.35

NOTE: Paper filter is a throw-away type.

When the sponge filter is clogged with dust, remove it from the cleaner and then wipe it off or wash in water.

Removing and installing the sponge filter

CAUTION: After cleaning sponge filter, be sure to install it on the cleaner. If washed in water, dry it up before installing. An insufficiently dried sponge filter may shorten the service life of the motor.

To remove the sponge filter, remove the dust bag or paper filter and then pinch and take it out.

► Fig.36: 1. Sponge filter

Press in the whole edge of the sponge filter against the recessed wall inside the dust bag/paper filter mounting area.

► Fig.37: 1. Recessed wall

Storage

WARNING: Never leave the battery cartridge and charger in a car. The temperature inside a car sitting in the sun may exceed 50 °C (122 °F). It may cause the battery cartridge deteriorated and result in liquid ejection, smoke emission or a fire.

► Fig.38

WARNING: Never use the charger while storing it in the storage bag. Blocking the air vent may result in smoking emission or a fire.

► Fig.39

WARNING: Never charge the battery cartridge with on-vehicle inverter. It may cause abnormal heat and result in a fire.

WARNING: Never charge the battery cartridge in a car. If the battery cartridge is exposed to the temperature range out of 10°C (50 °F) - 40°C (104 °F), it may generate heat and/or fire or explode.

CAUTION: Always store the hose as illustrated to avoid tripping, when the cleaner is not used. Unfolded hose may catch your foot and cause personal injury.

► Fig.40: 1. Hook 2. Hose

Troubleshooting

Before asking for repairs, check the following points.

Symptom	Area to be investigated	Fixing method
Weak suction power	Is dust bag or paper filter full of dust ?	Empty dust bag or paper filter.
	Is dust bag clogged ?	Dust down or wash the dust bag.
	Is paper filter clogged ?	Replace paper filter.
	Is the battery cartridge discharged?	Charge the battery cartridge.
Not working	Is the battery cartridge discharged?	Charge the battery cartridge.
Dust case cover does not close	Is dust bag or paper filter set ?	Set dust bag or paper filter.

NOTICE: Do not attempt to repair cleaner by yourself.

OPTIONAL ACCESSORIES

⚠ CAUTION: These accessories or attachments are recommended for use with your Makita tool specified in this manual. The use of any other accessories or attachments might present a risk of injury to persons. Only use accessory or attachment for its stated purpose.

If you need any assistance for more details regarding these accessories, ask your local Makita Service Center.

- Extension wand (Straight pipe)
- Nozzle
- Nozzle for carpet
- Shelf brush
- Corner nozzle
- Round brush
- Flexible hose
- Paper filter
- Free nozzle
- Seat nozzle
- Crevice nozzle
- Cyclone attachment
- Dust bag
- High performance dust bag
- Soft bag
- Makita genuine battery and charger

NOTE: Some items in the list may be included in the tool package as standard accessories. They may differ from country to country.

警告

- 在有人监督或在接受安全操作指导并清楚可能存在的危险后，8岁及以上的儿童以及体力、感觉、心智不健全或原本缺乏经验和相关知识的人员可操作本工具。
- 请勿让儿童玩耍本工具。在无人监督的情况下，请勿让儿童单独进行清洁和保养工作。
- 有关电池的类型信息，请参阅“规格”章节。
- 有关如何拆卸或安装电池的信息，请参阅“安装或拆卸电池组”部分。
- 丢弃电池组时，需将其从工具上卸下并在安全地带进行处理。关于如何处理废弃的电池，请遵循当地法规。
- 如长时间不使用工具，必须将电池从工具内取出。
- 请勿使电池组短路。
- 有关用户维护期间的注意事项的详情，请参阅“维护”章节。

规格

型号:		DCL184
集尘能力	使用集尘袋	500 mL
	使用纸滤器	330 mL
持续使用时间 (带电池 BL1830B)	1. (常规速度模式)	约80 min
	2. (高速模式)	约30 min
	3. (最大速度模式)	约20 min
长度 (含电池BL1830B)		365 mm
额定电压		D.C. 18 V
净重		1.8 - 2.2 kg

- 生产者保留变更规格不另行通知之权利。
- 规格可能因销往国家之不同而异。
- 重量不含附件，但包含电池组。设备和电池组的最轻和最重组合重量见表格。

适用电池组和充电器

电池组	BL1815N / BL1820B / BL1830B / BL1840B / BL1850B / BL1860B
充电器	DC18RC / DC18RD / DC18RE / DC18SD / DC18SE / DC18SF / DC18SH

- 部分以上所列电池组和充电器是否适用视用户所在地区而异。

警告： 请仅使用以上所列电池组和充电器。使用其他类型的电池组或充电器可能会导致人身伤害和 / 或失火。

符号

以下显示本设备可能会使用的符号。在使用工具之前，请务必理解其含义。



阅读使用说明书。



仅限于欧盟国家

由于本设备中包含有害成分，因此废弃的电气和电子设备、蓄电池和普通电池可能会对环境和人体健康产生负面影响。请勿将电气和电子工具或电池与家庭普通废弃物放在一起处置！

根据欧洲关于废弃电气电子设备、蓄电池和普通电池的指令及其国家层面的修订法案，废弃的电气设备、普通电池和蓄电池应当单独存放并递送至城市垃圾收集点，根据环保法规进行处置。

此规定由标有叉形标志的带轮垃圾桶符号表示。

用途

本工具用于收集干尘。

安全警告

充电式吸尘器使用安全警告

警告：重要事项 使用前请仔细阅读所有的安全警告和所有的说明事项。若不遵循警告和说明事项，可能导致触电、起火和/或严重的人身伤害。

1. 勿使本工具淋雨。室内存放。
2. 勿用作玩具。由儿童使用或在其附近使用时，务必注意安全。
3. 仅用作本说明书描述的用途。仅使用制造商推荐的装置。
4. 请勿使用损坏的电池。如果工具因坠落、损坏、置于室外，或落入水中而不能正常工作，请将其送至维修中心。
5. 勿用湿手操作工具。

6. 勿将任何物体置于吸嘴中。吸嘴堵塞时请勿继续使用工具，注意防止灰尘、皮棉、毛发和任何可能阻挡气流的物体堵塞吸嘴。
7. 头发、宽松衣服、手指以及身体所有部位请勿靠近吸嘴和移动的部件。
8. 取出电池前关闭所有控制开关。
9. 清洁楼梯时要特别注意安全。
10. 请勿用本工具吸取汽油等易燃或可燃液体或在易燃或可燃液体附近使用本工具。
11. 仅使用制造商提供的充电器进行充电。
12. 请勿用本工具吸取香烟、火柴或热灰等燃烧或冒烟的物体。
13. 集尘袋和/或过滤器未放置到位时请勿使用。
14. 勿在室外对电池充电。
15. 请仅使用制造商指定的充电器进行充电。将适用于某一种类型电池组的充电器用于其他类型的电池组时，可能会导致起火。
16. 电动工具仅可使用专门指定的电池组。使用其他类型的电池组可能会导致人身伤害或起火。
17. 不使用电池组时请将其远离纸夹、硬币、钥匙、钉子、螺丝或其他小型金属物体放置。这些物体可能会使电池端子短路。
18. 使用过度时，电池中可能溢出液体。请避免接触。如果意外接触到电池漏液，请用水冲洗。
19. 不要使用损坏或改装过的电池包或工具。损坏或改装过的电池组可能呈现无法预测的结果，导致着火、爆炸或伤害。
20. 不要将电池包暴露于火或高温中。电池包暴露于火或高于130℃的高温中可能导致爆炸。
21. 遵循所有充电说明。不要在说明书中指定的温度范围之外给电池包或电动工具充电。不正确或在指定的温度范围外充电可能会损坏电池和增加着火的风险。

请保留此说明书。

补充安全规则

本工具供室内使用。

1. 使用前请仔细阅读本说明书和充电器说明书。
2. 请勿吸取以下材料：
 - 高温物体，例如，点燃的香烟或磨削/切割金属时产生的火花/金属粉末
 - 易燃物，例如，汽油、稀释剂、苯、煤油或油漆

- 易爆物体，例如，硝化甘油
 - 可燃物，例如，铝、锌、镁、钛、磷或赛璐珞
 - 湿土、水、油或类似物质
 - 带有锐边的较硬物体，例如，木片、金属、石头、玻璃、铁钉、销钉或刀片
 - 易结块粉末，例如，水泥或墨粉
 - 导电粉尘，例如，金属或碳
 - 细颗粒，例如，水泥灰
- 否则会导致起火、人身伤害和 / 或财产损失。
3. 若发现有任何异常请立即停止操作。
 4. 如果您掉落或碰撞了吸尘器，操作前请仔细检查工具上是否有裂缝或损伤。
 5. 勿将工具靠近火炉或其他热源。
 6. 勿堵塞吸嘴或通风口。

请保留此说明书。

电池组的重要安全注意事项

1. 在使用电池组之前，请仔细阅读所有的说明以及 (1) 电池充电器，(2) 电池，以及 (3) 使用电池的产品上的警告标记。
2. 切勿拆卸或改装电池组。否则可能引起火灾、过热或爆炸。
3. 如果机器运行时间变得过短，请立即停止使用。否则可能会导致过热、起火甚至爆炸。
4. 如果电解液进入您的眼睛，用清水将其冲洗干净并立即就医。否则可能会导致视力受损。
5. 请勿使电池组短路：
 - (1) 请勿使任何导电材料碰到到端子。
 - (2) 避免将电池组与其他金属物品如钉子、硬币等放置在同一容器内。
 - (3) 请勿将电池组置于水中或使其淋雨。电池短路将产生大的电流，导致过热，并可能导致起火甚至击穿。
6. 请勿在温度可能达到或超过 50°C (122°F) 的场所存放以及使用工具和电池组。
7. 即使电池组已经严重损坏或完全磨损，也请勿焚烧电池组。电池组会在火中爆炸。
8. 请勿对电池组射钉，或者切削、挤压、抛掷、掉落电池组，又或者用硬物撞击电池组。否则可能引起火灾、过热或爆炸。
9. 请勿使用损坏的电池。

10. 本工具附带的锂离子电池需符合危险品法规要求。

第三方或转运代理等进行商业运输时，应遵循包装和标识方面的特殊要求。有关运输项目的准备作业，咨询危险品方面的专业人士。同时，请遵守可能更为详尽的国家法规。

请使用胶布保护且勿遮掩表面的联络信息，并牢固封装电池，使电池在包装内不可动。

11. 丢弃电池组时，需将其从工具上卸下并在安全地带进行处理。关于如何处理废弃的电池，请遵循当地法规。
12. 仅将电池用于 Makita (牧田) 指定的产品。将电池安装至不兼容的产品会导致起火、过热、爆炸或电解液泄漏。
13. 如长时间未使用工具，必须将电池从工具内取出。
14. 使用工具期间以及使用工具之后，电池组温度可能较高易引起灼伤或低温烫伤。处理高温电池组时请小心操作。
15. 在使用工具后请勿立即触碰工具的端子，否则可能引起灼伤。
16. 避免锯屑、灰尘或泥土卡入电池组的端子、孔口和凹槽内。否则可能导致工具或电池组性能下降或故障。
17. 除非工具支持在高压电源线路附近使用，否则请勿在高压电源线路附近使用电池组。否则可能导致工具或电池组故障或失常。
18. 确保电池远离儿童。

请保留此说明书。

⚠小心： 请仅使用 Makita (牧田) 原装电池。使用非 Makita (牧田) 原装电池或经过改装的电池可能会导致电池爆炸，从而造成火灾、人身伤害或物品受损。同时也会导致牧田工具和充电器的牧田保修服务失效。

保持电池最大使用寿命的提示

1. 在电池组电量完全耗尽前及时充电。发现工具电量低时，请停止工具操作，并给电池组充电。
2. 请勿对已充满电的电池组重新充电。过度充电将缩短电池的使用寿命。
3. 请在 10°C - 40°C (50°F - 104°F) 的室温条件下给电池组充电。请在灼热的电池组冷却后再充电。
4. 不使用电池组时，请将其从工具或充电器上拆除。

5. 如果电池组长时间（超过六个月）未使用，请给其充电。

功能描述

⚠️小心： 调节或检查工具功能之前，请务必关闭工具的电源并取出电池组。

⚠️小心： 安装电池时注意勿让手指卡在吸尘器¹和电池之间。否则可能会令手指受伤。

安装或拆卸电池组

⚠️小心： 安装或拆卸电池组之前，请务必关闭工具电源。

⚠️小心： 安装或拆卸电池组时请握紧工具和电池组。否则它们可能从您的手中滑落，导致工具和电池组受损，甚至造成人身伤害。

▶ **图片1：** 1. 红色指示器 2. 按钮 3. 电池组

拆卸电池组时，按下电池组前侧的按钮，同时将电池组从工具中抽出。

安装电池组时，要将电池组上的舌簧与外罩上的凹槽对齐，然后推滑到位。将其完全插入到位，直到锁定并发出咔哒声为止。若能看到图示中的红色指示器，则说明未完全锁紧。

⚠️小心： 务必完全装入电池组，直至看不见红色指示器为止。否则，它可能会从工具中意外脱落，从而造成自身或他人受伤。

⚠️小心： 请勿强行安装电池组。如果电池组难以插入，可能是插入方法不当。

工具 / 电池保护系统

本工具配备有工具 / 电池保护系统。该系统可自动切断电机电源以延长工具和电池寿命。作业时，如果工具或电池处于以下情况时工具将会自动停止运转。某些情况下，指示灯会亮起。

▶ **图片2：** 1. 指示灯

过载保护

以导致异常高电流的方式操作工具时，工具会自动停止运转且指示灯亮起约60秒。在这种情况下，请关闭工具并停止导致工具过载的应用程序。然后开启工具以重新启动。

过热保护

工具/电池过热时，工具将自动停止运转且电池指示灯亮起约60秒。即使开启工具，工具也不会启动。在这种情况下，请待电池冷却后再开启工具。

过放电保护

当电池的剩余电量变低时，指示灯会闪烁。进一步使用时，工具将停止运转且指示灯亮起约60秒。如果启动工具，电机将再次运行，但将很快停止。在这种情况下，请给电池组充电。

注： 指示灯亮起的时间取决于工作场所的温度和电池组的状态。

显示电池的剩余电量

仅限带指示灯的电池组

▶ **图片3：** 1. 指示灯 2. CHECK (查看) 按钮
按电池组上的CHECK (查看) 按钮可显示电池剩余电量。指示灯将亮起数秒。

指示灯			剩余电量
■ 点亮	□ 熄灭	▨ 闪烁	
■ ■ ■ ■			75%至100%
■ ■ ■ □			50%至75%
■ ■ □ □			25%至50%
■ □ □ □			0%至25%
▨ □ □ □			给电池充电。
■ ■ □ □			电池可能出现故障。
□ □ ■ ■			

注： 在不同的使用条件及环境温度下，指示灯所示电量可能与实际情况略有不同。

注： 当电池保护系统启动时，第一个（最左侧）指示灯将闪烁。

开关操作

- **图片4:** 1. ON (开) / 变速按钮
2. OFF (关) 按钮

要启动吸尘器时，只需按ON (开) / 变速按钮即可。要关闭工具，则请按OFF (关) 按钮。

您可以通过按下ON (开) / 变速按钮分3档变换吸尘器速度。

首次按该按钮工具会进入高速模式，第二次按该按钮会切换为最大速度模式，第三次按该按钮，则会以常规速度运转。重复按此按钮可交替调节工具的高 / 最大 / 常规速度。

装配

⚠小心：对工具进行任何装配操作前，请务必关闭工具电源，并取出电池组。

集尘袋和纸滤器

使用吸尘器之前，请安装集尘袋或纸滤器。安装集尘袋或纸滤器时，请使用防尘塞。集尘袋可在及时清空后重复使用多次。纸滤器为一次性使用物品。请整个扔掉集满灰尘的纸滤器，而不必清空。

注意：为防止灰尘进入电机：

- 确保在使用前已安装集尘袋或纸滤器。
- 安装防尘塞和集尘袋或纸滤器时，将防尘塞和集尘袋或纸滤器一起插入凹槽到底。
- 请勿使用已受损或破裂的集尘袋。

否则可能会损坏电机。

注意：安装纸滤器时，请勿折叠其开口处的纸板。

注意：切勿扔掉防尘塞，因为在使用集尘袋或纸滤器时须重复使用。

注意：用于本吸尘器的纸滤器是保持工具良好性能的重要部件。使用非原装正品纸滤器可能会导致烟雾产生或着火。

安装集尘袋

请在安装集尘袋时使用防尘塞。注意勿搞混防尘塞上侧和下侧，两者有所不同。

- **图片5:** 1. 防尘塞上侧 2. 防尘塞下侧

1. 如图所示，请将集尘袋的凸起部分插入防尘塞的凹槽中。

集尘袋的上侧和下侧之间没有区别。您可任选一侧的凸起部分插入防尘塞的凹槽中。

- **图片6:** 1. 防尘塞 2. 凹槽 3. 集尘袋

2. 叠合防尘塞的框架和集尘袋的框架。

- **图片7**

3. 按照与防尘塞上的相同的箭头方向将防尘塞和集尘袋一起置入吸尘器内腔中。然后将它们径直插入吸尘器内腔的凹槽中。

- **图片8:** 1. 插槽

4. 将集尘袋的整个布袋放入吸尘器内部。

- **图片9**

5. 完全关闭集尘盒盖板。

- **图片10:** 1. 集尘盒盖板

注：吸尘器中没有安装集尘袋时，集尘盒盖板不会完全关闭。

安装纸滤器

安装纸滤器时也应使用防尘塞。注意勿搞混防尘塞上侧和下侧，两者有所不同。

- **图片11:** 1. 防尘塞上侧 2. 防尘塞下侧

1. 将纸滤器安装至防尘塞之前，请展开其开口部分。

- **图片12**

2. 如图所示，请将纸滤器的凸起部分插入防尘塞的凹槽中。

纸滤器的上侧和下侧之间没有区别。您可任选一侧的凸起部分插入防尘塞的凹槽中。

- **图片13:** 1. 防尘塞 2. 凹槽 3. 纸滤器

3. 叠合防尘塞的框架和纸滤器的框架。

- **图片14**

4. 按照与防尘塞上的相同的箭头方向将防尘塞和纸滤器一起置入吸尘器内腔中。然后将它们径直插入吸尘器内腔的凹槽中。

- **图片15:** 1. 插槽

5. 将纸滤器的整个纸袋部分放入工具内部。

- **图片16**

6. 完全关闭集尘盒盖板。

- **图片17:** 1. 集尘盒盖板

注：吸尘器中没有安装纸滤器时，集尘盒盖板不会完全关闭。

肩带的安装

⚠️小心： 注意不要使肩带被您周围的物体卡住。

⚠️小心： 使用吸尘器时，注意不要使肩带从您的肩部滑脱。为稳定操作吸尘器，建议您采用斜挎的方式佩带肩带。

按照图中所示方法将肩带的挂钩挂至吸尘器的挂杆上。

► **图片18：** 1. 肩带 2. 挂钩 3. 挂杆

注： 您也可以按照图中所示将肩带装至软袋（选购附件）。

► **图片19：** 1. 肩带 2. 软袋

操作

⚠️小心： 搬运吸尘器时务必握持把手。如果搬运时握持附件部分，它可能会从吸尘器上脱开并造成人身伤害。

⚠️小心： 请勿在开车或发动机运转时使用本工具。

⚠️小心： 不要按图中所示抓握软管接头。握持软管接头可能会夹住手指。

► **图片20：** 1. 软管接头

用作吸尘器

注： 吸尘清洁前，请拆下吹风机附件。如果将吹风机附件安装到吸尘器，吸力将会下降。

安装或拆卸吸尘器附件

连接集尘口等附件时，边转动边插入集尘口将其固定至软管。要断开时，边转动边将其抽出。

如图所示，安装方法因集尘口而异。

► **图片21：** 1. 软管 2. 橡胶集尘口 3. 软刷
4. 座椅集尘口 5. 地垫集尘口

吸尘清洁

橡胶集尘口

本集尘口便于清洁门套等底部边角。橡胶集尘口可轻柔清洁表面。

► **图片22：** 1. 橡胶集尘口

软刷

本集尘口便于清洁空调通风口、仪表板等。软刷的头部可直角转动。

► **图片23：** 1. 软刷

座椅集尘口

本集尘口带有毛刷，用于清洁座椅表面。集尘口上的边刷可很方便地清除接缝中的灰尘。

► **图片24：** 1. 座椅集尘口 2. 边刷

地垫集尘口

本集尘口用于清洁地垫或地毯。集尘口上的清洁齿可帮助清除砂粒。

► **图片25：** 1. 地垫集尘口

注意： 始终使用地垫集尘口来清洁垫子。将地垫集尘口用于其他材料可能会刮伤其表面。

无集尘口清洁

您在吸尘清洁可不使用集尘口。

► **图片26**

灰尘处理

⚠️小心： 在变满前清空集尘袋或更换纸滤器。否则会导致吸力/吹力下降。

⚠️小心： 关闭集尘盒盖板时，请小心勿夹住手指。

注意： 切勿扔掉防尘塞，因为在使用集尘袋或纸滤器时会用到。

注意： 吸尘器中没有安装集尘袋/纸滤器时，集尘盒盖板不会完全关闭。请勿强力关闭集尘盒盖板。否则可能会导致工具变形或破裂。

注意： 清理灰尘时，请同时清洁集尘袋/纸滤器的腔体。腔体内积聚灰尘或污垢可能会导致海绵过滤器堵塞或电机受损。

1. 打开集尘盒盖板。

► **图片27：** 1. 集尘盒盖板

2. 同时拉出橙色防尘塞和集尘袋/纸滤器。

► **图片28：** 1. 防尘塞

3. 使用集尘袋时

取下防尘塞并清空集尘袋。

► **图片29：** 1. 防尘塞 2. 集尘袋



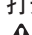


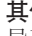
使用纸滤器时

取下防尘塞并丢弃纸滤器。

► **图片30：** 1. 防尘塞 2. 纸滤器

4. 同时将集尘袋/新纸过滤器和防尘塞安装至吸尘器并关闭集尘盒盖板。

用作吹风机

-  **小心：** 切勿将喷嘴指向附近的人员。
-  **小心：** 为防止吸入灰尘，建议在操作时打开窗户，并佩戴护目镜和面罩。
-  **小心：** 不要拉动吹风机附件。否则可能会使其从吸尘器上脱落。
-  **小心：** 请勿用此吸尘器为橡皮艇、球或其他充气物品充气。增大发动机转速可能会导致危险的风扇故障。
-  **小心：** 切勿堵塞吸气口和 / 或出气口。在灰尘较大的区域内操作时，请注意避免吹风机吸气口或出气口被灰尘或污垢堵塞。
-  **小心：** 请勿使用非Makita（牧田）提供的集尘口。

安装或拆卸吹风机附件

安装吹风机附件时，请对准吹风机附件端口的凸起部分和通风口上的凹槽，然后按压直至发出咔嚓声。

► **图片31：** 1. 吹风机附件

拆下吹风机附件时，请如图所示按压其顶部，同时向下拉端口。


► **图片32**

吹扫

将吹风机附件的端部对准吹扫对象，然后启动工具。

► **图片33**

保养

 **小心：** 检查或保养工具之前，请务必关闭工具电源并取出电池组。

注意： 切勿使用汽油、苯、稀释剂、酒精或类似物品清洁工具。否则可能会导致工具变色、变形或出现裂缝。

为了保证产品的安全与可靠性，维修、任何其他维修保养或调节需由Makita（牧田）授权的或工厂维修服务中心完成。务必使用Makita（牧田）的替换部件。

清洁

要经常使用蘸有肥皂水的抹布擦除吸尘机外部（吸尘机主机）的灰尘。并清洁吸嘴、集尘袋 / 纸过滤器安装区和防尘塞。

► **图片34**


当灰尘堵塞集尘袋且吸尘器吸力降低时，可用肥皂水清洗集尘袋。待其充分干燥后再使用。未经充分干燥的过滤器可能会降低吸尘性能和电机寿命。

► **图片35**

注： 纸过滤器为一次性使用物品。

当海绵过滤器被灰尘堵塞时，请将其从吸尘机上拆下并擦拭干净或用清水清洗。

海绵过滤器的拆卸和安装

 **小心：** 完成海绵过滤器的清洁后，请务必将其安装至吸尘机。如果是使用清水清洗，请待其干燥后安装。没有充分干燥的海绵过滤器可能会降低电机寿命。


要拆下海绵过滤器时，请拆下集尘袋或纸过滤器，然后捏住过滤器并取出。

► **图片36：** 1. 海绵过滤器


将海绵过滤器的整个边缘按入集尘袋 / 纸过滤器内部的凹陷壁面。

► **图片37：** 1. 凹陷壁面


存放


 **警告：** 切勿将电池组和充电器留在车内。阳光照射下的车内温度可能会超过 50 °C (122 °F)。这可能会导致电池组劣化并造成漏液、冒烟或起火。

► **图片38**

 **警告：** 切勿在充电器存放于存储袋中的情况下使用充电器。堵塞通风口可能会导致冒烟或起火。

► **图片39**

 **警告：** 切勿使用车载逆变器给电池组充电。否则会导致异常发热和起火。

 **警告：** 切勿在车内给电池组充电。如果电池组暴露在 10 °C (50 °F) - 40 °C (104 °F) 以外的温度下，则可能会发热和/或造成起火或爆炸。

⚠小心： 不使用吸尘器时，请始终按图中所示存放软管以避免牵绊。展开的软管可能会绊脚并造成人身伤害。

► **图片40：** 1. 管夹 2. 软管

故障排除

在请求维修前，请检查以下要点。

症状	检查区域	解决方法
吸力降低	集尘袋或纸滤器是否集满灰尘？	清空集尘袋和纸滤器。
	集尘袋是否被堵塞？	清除灰尘或清洗集尘袋。
	纸滤器是否被堵塞？	更换纸滤器。
	电池组是否已放电？	给电池组充电。
不工作	电池组是否已放电？	给电池组充电。
集尘盒盖板未关闭	是否安装了集尘袋或纸滤器？	安装集尘袋或纸滤器。

注意： 请勿自行修理吸尘器。

选购附件

⚠小心： 这些附件或装置专用于本说明书所列的**Makita（牧田）工具**。如使用其他厂牌附件或装置，可能导致人身伤害。仅可将附件或装置用于规定目的。

如您需要了解更多关于这些选购附件的信息，请咨询当地的**Makita（牧田）**维修服务中心。

- 伸延杆（直管）
- 集尘口
- 地毯清洁专用集尘口
- 货架刷
- 角落集尘口
- 圆刷
- 软管
- 纸滤器
- 通用集尘口
- 座椅吸嘴
- 缝隙集尘口
- 气旋组件
- 集尘袋
- 高性能集尘袋
- 软袋
- **Makita（牧田）**原装电池和充电器

注： 本列表中的一些部件可能作为标准配件包含于工具包装内。它们可能因销往国家之不同而异。

PERINGATAN

- Peralatan ini dapat digunakan oleh anak-anak berumur 8 tahun ke atas dan orang dengan kekurangan kemampuan fisik, indra, atau jiwa atau kurangnya pengalaman dan pengetahuan jika mereka diawasi atau panduan yang berkaitan dengan penggunaan peralatan secara aman dan pemahaman bahaya yang dapat terjadi.
- Jangan membiarkan anak-anak bermain dengan peralatan ini. Pembersihan dan perawatan pengguna tidak boleh dilakukan oleh anak-anak tanpa pengawasan.
- Lihat bagian “SPESIFIKASI” untuk mengetahui referensi tipe baterai.
- Lihat bagian “Memasang atau melepas kartrid baterai” untuk mengetahui cara mengganti atau memasang baterai.
- Ketika membuang kartrid baterai, lepaskan dari mesin dan buang ke tempat yang aman. Patuhi peraturan setempat yang berkaitan dengan pembuangan baterai.
- Jika mesin tidak digunakan dalam jangka waktu yang lama, baterai harus dilepas dari mesin.
- Jangan menghubungkan terminal kartrid baterai.
- Lihat bagian “PEMELIHARAAN” untuk mengetahui detail tindakan pencegahan yang sesuai selama perawatan oleh pengguna.

SPESIFIKASI

Model:		DCL184
Kapasitas	dengan kantong debu	500 mL
	dengan saringan kertas	330 mL
Penggunaan secara terus menerus (dengan baterai BL1830B)	1 (Mode kecepatan normal)	Sekitar. 80 min
	2 (Mode kecepatan tinggi)	Sekitar. 30 min
	3 (Mode kecepatan maks)	Sekitar. 20 min
Panjang keseluruhan (dengan baterai BL1830B)		365 mm
Tegangan terukur		D.C. 18 V
Berat bersih		1,8 - 2,2 kg

- Karena kesinambungan program penelitian dan pengembangan kami, spesifikasi yang disebutkan di sini dapat berubah tanpa pemberitahuan.
- Spesifikasi dapat berbeda dari satu negara ke negara lainnya.
- Berat tidak termasuk aksesoris selain kartrid baterai. Berat gabungan paling ringan dan paling berat dari peralatan dan kartrid baterai ditampilkan dalam tabel.

Kartrid dan pengisi daya baterai yang dapat digunakan

Kartrid baterai	BL1815N / BL1820B / BL1830B / BL1840B / BL1850B / BL1860B
Pengisi daya	DC18RC / DC18RD / DC18RE / DC18SD / DC18SE / DC18SF / DC18SH

- Beberapa kartrid baterai dan pengisi daya yang tercantum di atas mungkin tidak tersedia, tergantung wilayah tempat tinggal Anda.

⚠ PERINGATAN: Hanya gunakan kartrid dan pengisi daya baterai yang tercantum di atas. Penggunaan kartrid dan pengisi daya baterai lain dapat menimbulkan risiko cedera dan/atau kebakaran.

Simbol

Berikut ini adalah simbol-simbol yang dapat digunakan pada peralatan ini. Pastikan Anda memahami arti masing-masing simbol sebelum menggunakan peralatan.



Baca petunjuk penggunaan.



Hanya untuk negara-negara UE
Akibat adanya komponen berbahaya dalam peralatan, limbah peralatan listrik dan elektronik, aki dan baterai dapat memiliki dampak negatif pada lingkungan dan kesehatan manusia.
Jangan buang peralatan listrik dan elektronik atau baterai bersama limbah rumah tangga!
Sesuai dengan Petunjuk Eropa tentang limbah peralatan listrik dan elektronik dan tentang aki dan baterai serta limbah aki dan baterai, serta penyesuaiannya terhadap undang-undang nasional, limbah peralatan listrik, baterai dan aki harus disimpan secara terpisah dan dikirim ke tempat pengumpulan terpisah untuk sampah kota, beroperasi sesuai dengan peraturan tentang perlindungan lingkungan.
Hal ini ditunjukkan dengan simbol tempat sampah bersilang yang ditempatkan pada peralatan.

Penggunaan

Mesin ini digunakan untuk membersihkan debu kering.

PERINGATAN KESELAMATAN

Peringatan keselamatan pembersih tanpa kabel

⚠ PERINGATAN: PENTING BACALAH semua peringatan keselamatan dan semua petunjuk **SEBELUM MENGGUNAKAN DENGAN SAKSAMA.** Kelalaian mematuhi peringatan dan petunjuk dapat menyebabkan sengatan listrik, kebakaran, dan/atau cedera serius.

1. **Jangan membiarkan alat kehujanan. Simpan di dalam ruangan.**
2. **Jangan jadikan alat ini sebagai mainan. Perhatikan dengan saksama saat digunakan oleh anak-anak atau dekat dengan mereka.**
3. **Gunakan hanya sebagaimana dijelaskan dalam buku panduan ini. Gunakan hanya peralatan tambahan yang direkomendasikan produsen.**
4. **Jangan digunakan dengan baterai yang rusak. Jika peralatan tidak bekerja dengan semestinya, terjatuh, rusak, tertinggal di luar, atau terjatuh ke dalam air, kembalikan peralatan ke pusat servis.**

5. **Jangan menggunakan peralatan dengan tangan yang basah.**
6. **Jangan menaruh benda apa pun di dalam bukaan. Jangan digunakan saat bukaan terhalang; bersihkan dari debu, benang, rambut, dan apa pun yang dapat mengurangi aliran udara.**
7. **Jauhkan rambut, pakaian yang longgar, jari, dan semua bagian tubuh dari bukaan dan bagian yang bergerak.**
8. **Matikan semua kontrol sebelum melepas baterai.**
9. **Berhati-hatilah saat membersihkan lantai.**
10. **Jangan digunakan untuk membersihkan cairan yang mudah terbakar, seperti bensin, atau digunakan di area di mana terdapat cairan tersebut.**
11. **Hanya gunakan pengisi daya yang disertakan oleh produsen untuk mengisi daya.**
12. **Jangan membersihkan apa pun yang bisa terbakar atau berasap, seperti rokok, abu atau abu panas.**
13. **Jangan menggunakan tanpa kantong debu dan/atau saringan pada tempatnya.**
14. **Jangan mengisi daya baterai di luar ruangan.**
15. **Isi ulang baterai hanya dengan pengisi daya yang ditentukan oleh pabrik.** Pengisi daya yang cocok untuk satu jenis paket baterai dapat menimbulkan risiko kebakaran ketika digunakan untuk paket baterai yang lain.
16. **Gunakan mesin listrik hanya dengan paket baterai yang telah ditentukan secara khusus.** Penggunaan paket baterai lain dapat menimbulkan risiko cedera dan kebakaran.
17. **Ketika paket baterai tidak digunakan, jauhkan dari benda logam lain, seperti penjepit kertas, uang logam, kunci, paku, sekrup, atau benda logam kecil lainnya, yang dapat menghubungkan satu terminal ke terminal lain.**
18. **Pemakaian yang salah, dapat menyebabkan keluarnya cairan dari baterai; hindari kontak. Jika terjadi kontak secara tidak sengaja, bilas dengan air.**
19. **Jangan menggunakan paket baterai atau mesin yang sudah rusak atau telah diubah. Baterai yang rusak atau telah diubah dapat menyebabkan hal-hal yang tidak dapat diprediksi yang dapat menyebabkan kebakaran, ledakan atau risiko cedera.**
20. **Jangan membiarkan paket baterai atau mesin dekat dengan api atau suhu yang berlebihan.** Paparan api atau suhu di atas 130 °C dapat menyebabkan ledakan.
21. **Ikuti semua petunjuk pengisian daya dan jangan mengisi daya paket baterai atau mesin di luar rentang suhu yang ditentukan di panduan. Mengisi daya secara tidak tepat atau pada suhu di luar rentang yang ditentukan dapat merusak baterai dan meningkatkan risiko kebakaran.**

SIMPAN PETUNJUK INI.

ATURAN KESELAMATAN TAMBAHAN

Peralatan ini ditujukan untuk penggunaan rumah tangga.

1. Baca petunjuk penggunaan dan petunjuk instruksi pengisian daya ini dengan hati-hati sebelum menggunakan alat.
2. Jangan membersihkan bahan-bahan berikut:
 - Bahan panas seperti rokok atau percikan/debu logam yang ditimbulkan dari proses gerinda/pemotongan logam
 - Bahan-bahan mudah terbakar seperti bensin, tiner, kerosin atau cat
 - Bahan-bahan mudah meledak seperti nitrogliserin
 - Bahan-bahan yang dapat menyulut api seperti Aluminium, seng, magnesium, titanium, fosforus atau seluloid
 - Debu basah, air, minyak atau sejenisnya
 - Potongan keras dengan tepian tajam seperti serpihan kayu, logam, batu, kaca, paku, pin atau pisau cukur
 - Bubuk menggumpal seperti semen atau toner
 - Debu konduktif seperti logam atau karbon
 - Partikel halus seperti debu betonTindakan tersebut dapat menyebabkan kebakaran, cedera dan/atau kerusakan properti.
3. Segera hentikan pengoperasian segera jika Anda melihat adanya sesuatu yang tidak wajar.
4. Jika Anda menjatuhkan atau menabrakkan pembersih, periksa secara hati-hati apakah terdapat keretakan atau kerusakan sebelum pengoperasian.
5. Jangan digunakan dekat dengan kompor atau sumber panas lainnya.
6. Jangan menghalangi lubang asupan atau lubang ventilasi.

SIMPAN PETUNJUK INI.

Petunjuk keselamatan penting untuk kartrid baterai

1. Sebelum menggunakan kartrid baterai, bacalah semua petunjuk dan penandaan pada (1) pengisi daya baterai, (2) baterai, dan (3) produk yang menggunakan baterai.
2. Jangan membongkar atau memodifikasi kartrid baterai. Tindakan tersebut dapat menimbulkan api, panas berlebih, atau ledakan.
3. Jika waktu beroperasinya menjadi sangat singkat, segera hentikan penggunaan. Hal tersebut dapat menimbulkan risiko panas berlebih, kemungkinan mengalami luka bakar atau bahkan terjadi ledakan.
4. Jika elektrolit mengenai mata Anda, basuh dengan air bersih dan segera cari pertolongan medis. Hal tersebut dapat mengakibatkan hilangnya kemampuan penglihatan Anda.

5. Jangan menghubungkan terminal kartrid baterai:
 - (1) Jangan menyentuh terminal dengan bahan penghantar listrik apa pun.
 - (2) Hindari menyimpan kartrid baterai pada wadah yang berisi benda logam lain seperti paku, uang logam, dsb.
 - (3) Jangan membiarkan baterai terkena air atau kehujanan.Hubungan singkat baterai dapat menyebabkan aliran arus listrik yang besar, panas berlebih, kemungkinan mengalami luka bakar dan bahkan kerusakan pada baterai.
6. Jangan menyimpan dan menggunakan mesin dan kartrid baterai pada lokasi dengan suhu yang bisa mencapai atau melebihi 50 °C (122 °F).
7. Jangan membuang kartrid baterai di tempat pembakaran sampah walaupun benar-benar rusak atau tidak bisa digunakan sama sekali. Kartrid baterai bisa meledak jika terbakar.
8. Jangan memaku, memotong, menghancurkan, melempar, menjatuhkan kartrid baterai, atau memukulkan benda keras ke kartrid baterai. Tindakan tersebut dapat menimbulkan api, panas berlebih, atau ledakan.
9. Jangan menggunakan baterai yang rusak.
10. Baterai litium-ion yang disertakan sesuai dengan persyaratan Perundangan Makanan Berbahaya.

Harus ada pengawasan untuk pengangkutan komersial misalnya oleh pihak ketiga, ekspeditor, persyaratan khusus terhadap pengemasan dan pelabelan.

Diperlukan adanya konsultasi dengan ahli mengenai material berbahaya untuk persiapan barang yang akan dikirimkan. Perhatikan pula peraturan nasional yang lebih terperinci yang mungkin ada.

Beri perekat atau tutupi bagian yang terbuka dan kemasi baterai dengan cara yang tidak akan menimbulkan pergeseran dalam pengemasan.

11. Ketika membuang kartrid baterai, lepaskan dari mesin dan buang ke tempat yang aman. Patuhi peraturan setempat yang berkaitan dengan pembuangan baterai.
12. Gunakan baterai hanya dengan produk yang ditentukan oleh Makita. Memasang baterai pada produk yang tidak sesuai dapat menyebabkan kebakaran, kelebihan panas, ledakan, atau kebocoran elektrolit.
13. Jika mesin tidak digunakan dalam jangka waktu yang lama, baterai harus dilepas dari mesin.
14. Selama dan setelah digunakan, kartrid baterai mungkin menyimpan panas yang dapat menyebabkan luka bakar atau luka bakar suhu rendah. Perhatikan cara memegang kartrid baterai yang masih panas.
15. Jangan langsung menyentuh terminal mesin setelah digunakan karena suhunya mungkin cukup panas untuk menyebabkan luka bakar.

16. Jangan biarkan serpihan, debu, atau tanah menempel di terminal, lubang, dan alur kartrid baterai. Hal tersebut dapat mengakibatkan kinerja buruk atau kerusakan mesin maupun kartrid baterai.
17. Kecuali jika mesin mendukung penggunaan di dekat saluran listrik bertegangan tinggi, jangan gunakan kartrid baterai di dekat saluran listrik bertegangan tinggi. Hal tersebut dapat mengakibatkan kegagalan fungsi atau kerusakan mesin maupun kartrid baterai.
18. Jauhkan baterai dari jangkauan anak-anak.

SIMPAN PETUNJUK INI.

⚠️PERHATIAN: Gunakan baterai asli Makita. Penggunaan baterai Makita yang tidak asli, atau baterai yang sudah diubah, akan mengakibatkan baterai mudah terbakar, cedera dan kerusakan. Akan menghilangkan garansi Makita pada pengisi daya dan alat Makita.

Tip untuk menjaga agar umur pemakaian baterai maksimum

1. Isi ulang kartrid baterai sebelum habis sama sekali. Selalu hentikan penggunaan mesin dan ganti kartrid baterai jika Anda melihat bahwa mesin kurang tenaga.
2. Jangan pernah mengisi ulang kartrid baterai yang sudah diisi penuh. Pengisian ulang yang berlebihan memperpendek umur pemakaian baterai.
3. Isi ulang kartrid baterai pada suhu ruangan 10 °C - 40 °C. Biarkan kartrid baterai yang panas menjadi dingin terlebih dahulu sebelum diisi ulang.
4. Saat kartrid baterai tidak digunakan, lepaskan dari mesin atau pengisi daya.
5. Isi ulang daya kartrid baterai jika Anda tidak menggunakannya untuk jangka waktu yang lama (lebih dari enam bulan).

DESKRIPSI FUNGSI

⚠️PERHATIAN: Selalu pastikan bahwa mesin dimatikan dan kartrid baterai dilepas sebelum menyetel atau memeriksa kerja mesin.

⚠️PERHATIAN: Berhati-hatilah agar jari Anda tidak terjepit antara pembersih dan baterai saat memasang baterai. Jari yang terjepit dapat menyebabkan cedera.

Memasang atau melepas baterai

⚠️PERHATIAN: Selalu matikan mesin sebelum memasang atau melepas kartrid baterai.

⚠️PERHATIAN: Pegang mesin dan kartrid baterai kuat-kuat saat memasang atau melepas kartrid baterai. Kelalaian untuk memegang mesin dan kartrid baterai kuat-kuat bisa menyebabkan keduanya tergelincir dari tangan Anda dan mengakibatkan kerusakan pada mesin dan kartrid baterai dan cedera diri.

- **Gbr.1:** 1. Indikator berwarna merah 2. Tombol 3. Kartrid baterai

Untuk melepas kartrid baterai, geser dari mesin sambil menggeser tombol pada bagian depan kartrid.

Untuk memasang kartrid baterai, sejajarkan lidah kartrid baterai dengan alur pada rumah dan masukkan ke dalam tempatnya. Masukkan seluruhnya sampai terkunci pada tempatnya dan terdengar bunyi klik kecil. Jika Anda bisa melihat indikator berwarna merah seperti yang ditunjukkan pada gambar, ini artinya kartrid baterai tidak terkunci sempurna.

⚠️PERHATIAN: Selalu pasang kartrid baterai sepenuhnya sampai indikator berwarna merah tidak terlihat. Jika tidak, bisa terlepas dari mesin secara tidak sengaja, menyebabkan luka pada Anda atau orang di sekitar Anda.

⚠️PERHATIAN: Jangan memasang kartrid baterai secara paksa. Jika kartrid tidak bergeser dengan mudah, berarti tidak dimasukkan dengan benar.

Sistem perlindungan mesin/baterai

Mesin ini dilengkapi dengan sistem perlindungan mesin/baterai. Sistem ini memutuskan aliran daya ke motor secara otomatis untuk memperpanjang umur pakai mesin dan baterai.

Mesin akan berhenti saat penggunaan jika mesin atau baterai berada dalam salah satu kondisi berikut ini. Dalam beberapa kondisi, lampu indikator akan menyala.

- **Gbr.2:** 1. Lampu indikator

Perlindungan kelebihan beban

Bila mesin dijalankan dengan cara yang menyebabkannya menarik arus tinggi yang tidak normal, mesin akan berhenti secara otomatis dan indikator menyala sekitar 60 detik. Dalam situasi ini, matikan mesin dan hentikan pekerjaan yang menyebabkan mesin mengalami kelebihan beban. Kemudian, nyalakan mesin untuk kembali melanjutkan pekerjaan.

Perlindungan panas berlebih

Bila mesin/baterai mengalami panas berlebih, mesin akan berhenti secara otomatis dan indikator baterai menyala selama sekitar 60 detik. Mesin tidak akan menyala meskipun Anda menyalakannya. Dalam situasi ini, biarkan baterai mendingin sebelum kembali menyalakan mesin.

Perlindungan penggunaan daya berlebih

Saat kapasitas baterai yang tersisa lemah, indikator akan berkedip. Bila terus digunakan, mesin akan berhenti dan indikator menyala selama sekitar 60 detik. Jika Anda menyalakan mesin, motor akan menyala lagi tetapi segera berhenti. Untuk situasi ini, lakukan pengisian daya kartrid baterai.

CATATAN: Kondisi tersebut, saat lampu menyala, tergantung pada suhu di tempat kerja dan kondisi kartrid baterai.

Mengindikasikan kapasitas baterai yang tersisa

Hanya untuk kartrid baterai dengan indikator

► **Gbr.3:** 1. Lampu indikator 2. Tombol pemeriksaan

Tekan tombol pemeriksaan pada kartrid baterai untuk melihat kapasitas baterai yang tersisa. Lampu indikator menyala selama beberapa detik.

Lampu indikator			Kapasitas yang tersisa
Menyala	Mati	Berkedip	
■	□	◐	75% hingga 100%
■	■	□	50% hingga 75%
■	□	□	25% hingga 50%
■	□	□	0% hingga 25%
◐	□	□	Isi ulang baterai.
■	■	□	Baterai mungkin sudah rusak.
□	□	■	

CATATAN: Tergantung kondisi penggunaan dan suhu lingkungannya, penunjukkan mungkin saja sedikit berbeda dari kapasitas sebenarnya.

CATATAN: Lampu indikator pertama (ujung kiri) akan berkedip ketika sistem perlindungan mesin bekerja.

Kerja sakelar

► **Gbr.4:** 1. Tombol pengubah kecepatan/ON
2. Tombol OFF (Mati)

Untuk memulai pengoperasian, cukup tekan tombol pengubah kecepatan/ON. Untuk mematikan, tekan tombol OFF.

Anda dapat mengubah kecepatan pengoperasian melalui tiga langkah dengan menekan tombol pengubah kecepatan/ON.

Menekan pertama pada tombol ini adalah untuk mode kecepatan tinggi, tekanan kedua untuk mode kecepatan maksimal dan tekanan ketiga untuk kecepatan normal. Setiap menekan pada tombol ini akan mengulangi siklus kecepatan tinggi/maksimal/normal secara bergantian.

PERAKITAN

PERHATIAN: Selalu pastikan bahwa mesin dimatikan dan kartrid baterai dilepas sebelum melakukan pekerjaan apa pun pada mesin.

Kantong debu dan saringan kertas

Pasang kantong debu atau saringan kertas sebelum menggunakan pembersih. Gunakan penahan debu saat memasang kantong debu atau saringan kertas.

Kantong debu dapat digunakan secara berulang kali dengan membersihkannya.

Saringan debu adalah tipe pakai-buang. Buang keseluruhan saringan kertas tanpa mengosongkannya saat sudah terisi penuh.

PEMBERITAHUAN: Untuk mencegah debu masuk ke dalam motor:

- Pastikan kantong debu atau saringan kertas telah terpasang sebelum digunakan.
- Masukkan penahan debu bersamaan dengan kantong debu atau saringan kertas seluruhnya ke dalam celah saat memasang keduanya.
- Jangan menggunakan kantong yang rusak atau sobek.

Jika tidak, motor bisa rusak.

PEMBERITAHUAN: Jangan melipat papan saat memasang saringan kertas.

PEMBERITAHUAN: Jangan membuang penahan debu karena harus digunakan secara berulang kali kapan pun saat kantong debu atau saringan kertas digunakan.

PEMBERITAHUAN: Saringan kertas untuk pembersih adalah komponen yang penting untuk menjaga kinerja mesin. Menggunakan saringan kertas palsu dapat menyebabkan asap atau terbakar.

Memasang kantong debu

Gunakan penahan debu saat memasang kantong debu. Berhati-hatilah untuk tidak memasang sisi bagian atas untuk sisi bagian bawah karena kedua sisi tersebut berbeda satu sama lain.

► **Gbr.5:** 1. Sisi bagian atas penahan debu 2. Sisi bagian bawah penahan debu

1. Masukkan tonjolan kantong debu ke dalam alur pada penahan debu seperti ditunjukkan pada gambar.

Tidak ada perbedaan antara kantong debu sisi atas dan sisi bawah. Anda dapat memasukkan tonjolan salah satu sisi ke dalam alur penahan debu.

► **Gbr.6:** 1. Penahan debu 2. Alur 3. Kantong debu

2. Sesuaikan rangka penahan debu dengan kantong debu.

► **Gbr.7**

3. Tempatkan penahan debu dan kantong debu secara bersamaan ke dalam lubang pembersih searah dengan tanda panah pada penahan debu. Masukkan seluruhnya ke dalam celah di lubang pembersih.

► **Gbr.8:** 1. Celah

4. Pasang keseluruhan bagian kain pada kantong debu di dalam pembersih.

► **Gbr.9**

5. Tutup penutup wadah debu sepenuhnya.

► **Gbr.10:** 1. Penutup wadah debu

CATATAN: Jika kantong debu tidak terpasang di dalam pembersih, penutup wadah debu tidak tertutup sepenuhnya.

Memasang saringan kertas

Gunakan juga penahan debu saat memasang saringan kertas. Berhati-hatilah untuk tidak memasang sisi bagian atas untuk sisi bagian bawah karena kedua sisi tersebut berbeda satu sama lain.

► **Gbr.11:** 1. Sisi bagian atas penahan debu 2. Sisi bagian bawah penahan debu

1. Buka lipatan saringan kertas sebelum memasangnya pada penahan debu.

► **Gbr.12**

2. Masukkan tonjolan saringan kertas ke dalam alur pada penahan debu seperti ditunjukkan pada gambar.

Tidak ada perbedaan antara saringan kertas sisi atas dan sisi bawah. Anda dapat memasukkan tonjolan salah satu sisi ke dalam alur penahan debu.

► **Gbr.13:** 1. Penahan debu 2. Alur 3. Saringan kertas

3. Sesuaikan rangka penahan debu dengan saringan kertas.

► **Gbr.14**

4. Tempatkan penahan debu dan saringan kertas secara bersamaan ke dalam lubang pembersih searah dengan tanda panah pada penahan debu. Masukkan seluruhnya ke dalam celah di lubang pembersih.

► **Gbr.15:** 1. Celah

5. Pasang keseluruhan bagian wadah pada saringan kertas di dalam mesin.

► **Gbr.16**

6. Tutup penutup wadah debu sepenuhnya.

► **Gbr.17:** 1. Penutup wadah debu

CATATAN: Jika saringan kertas tidak terpasang di dalam pembersih, penutup wadah debu tidak tertutup sepenuhnya.

Memasang tali bahu

PERHATIAN: Berhati-hatilah agar tali bahu tidak tersangkut benda di sekitar Anda.

PERHATIAN: Berhati-hatilah agar tali bahu tidak terlepas dari bahu saat menggunakan pembersih. Agar tetap stabil saat bekerja dengan pembersih, disarankan untuk memakai tali bahu yang disilangkan di depan dada Anda.

Pasang kait tali bahu pada gantungan mesin seperti ditunjukkan pada gambar.

► **Gbr.18:** 1. Tali bahu 2. Kait 3. Gantungan

CATATAN: Anda juga dapat memasang tali bahu ke tas portabel (aksesori opsional) seperti yang diilustrasikan.

► **Gbr.19:** 1. Tali bahu 2. Tas portabel

PENGUNAAN

PERHATIAN: Selalu tahan pegangan ketika membawa pembersih. Jika Anda memegang bagian perangkat tambahan untuk dibawa, perangkat dapat terlepas dari pembersih dan menyebabkan cedera.

PERHATIAN: Jangan menggunakan peralatan saat mengemudikan mobil atau mesin sedang menyala.

PERHATIAN: Jangan memegang sambungan selang seperti yang ditunjukkan pada gambar. Memegang sambungan selang dapat membuat jari Anda terjepit.

► **Gbr.20:** 1. Sambungan selang

Menggunakan sebagai pengisap debu

CATATAN: Lepaskan perangkat tambahan blower sebelum melakukan pengisapan debu. Jika perangkat tambahan blower terpasang pada pembersih, daya isap akan berkurang.

Memasang atau melepas perangkat tambahan pembersih

Untuk menyambungkan perangkat tambahan seperti nosel, putar dan masukkan perangkat tambahan dengan kuat ke selang. Untuk melepaskan, putar dan lepaskan.

Cara pemasangan berbeda-beda tergantung pada nosel seperti yang diilustrasikan berikut.

► **Gbr.21:** 1. Selang 2. Nosel karet 3. Sikat lembut 4. Nosel kursi 5. Nosel karpet

Pengisapan debu

Nosel karet

Nosel ini sesuai untuk membersihkan sudut bawah seperti pintu geser. Nosel karet lembut untuk membersihkan permukaan.

► **Gbr.22:** 1. Nosel karet

Sikat lembut

Nosel ini sesuai untuk membersihkan ventilasi AC, dasbor, dll. Kepala sikat lembut dapat diputar ke sudut kanan.

► **Gbr.23:** 1. Sikat lembut

Nosel kursi

Nosel ini memiliki sikat kain untuk membersihkan permukaan kursi. Sikat samping pada nosel berguna untuk membersihkan debu dari jahitan.

► **Gbr.24:** 1. Nosel kursi 2. Sikat samping

Nosel karpet

Nosel ini digunakan untuk membersihkan tikar lantai dan karpet. Gigi pada nosel membantu mengeluarkan butiran pasir.

► **Gbr.25:** 1. Nosel karpet

PEMBERITAHUAN: Selalu gunakan nosel karpet untuk membersihkan karpet. Menggunakan nosel karpet untuk bahan-bahan lain dapat menggores permukaan nosel.

Membersihkan tanpa nosel

Anda dapat melakukan pengisapan debu tanpa nosel.

► **Gbr.26**

Membuang debu

PERHATIAN: Kosongkan kantong debu atau ganti saringan kertas sebelum penuh. Jika tidak, daya isap/hembusan akan melemah.

PERHATIAN: Saat menutup penutup wadah debu, berhati-hatilah agar jari Anda tidak terjepit.

PEMBERITAHUAN: Jangan membuang penahan debu karena harus digunakan kapan pun saat kantong debu atau saringan kertas digunakan.

PEMBERITAHUAN: Jika saringan kantong debu/saringan kertas tidak terpasang di dalam pembersih, penutup wadah debu tidak tertutup sepenuhnya. Jangan menutup paksa penutup wadah debu. Hal tersebut dapat mengakibatkan perubahan bentuk atau kerusakan pada mesin.

PEMBERITAHUAN: Saat membuang debu, bersihkan juga ruang untuk kantong debu/saringan kertas. Debu dan kotoran yang tersisa di dalamnya dapat menyebabkan saringan spons tersumbat atau motor menjadi rusak.

1. Buka penutup wadah debu.
► **Gbr.27:** 1. Penutup wadah debu
2. Tarik penahan debu berwarna jingga dan kantong debu/saringan kertas secara bersamaan.
► **Gbr.28:** 1. Penahan debu
3. Ketika menggunakan kantong debu
Lepaskan penahan debu dan kosongkan kantong debu.
► **Gbr.29:** 1. Penahan debu 2. Kantong debu

Ketika menggunakan saringan kertas

Lepaskan penahan debu dan buang saringan kertas.

► **Gbr.30:** 1. Penahan debu 2. Saringan kertas

4. Pasang kantong debu/saringan kertas baru dan penahan debu ke dalam pembersih dan tutup penutup wadah debu.

Menggunakan sebagai blower

PERHATIAN: Jangan pernah mengarahkan nosel pada siapa pun di sekitar Anda.

PERHATIAN: Untuk mencegah agar debu tidak terhirup, Anda disarankan untuk membuka jendela serta mengenakan kacamata dan masker pelindung saat mengoperasikannya.

PERHATIAN: Jangan menarik perangkat tambahan blower. Perangkat dapat terlepas dari pembersih jika ditarik.

PERHATIAN: Jangan menggunakan pembersih untuk meniupkan udara ke suatu objek, seperti perahu karet, bola, atau produk dapat dipompa lainnya. Putaran motor yang meningkat dapat menyebabkan bahaya rusaknya kipas.

PERHATIAN: Jangan menghalangi inlet pengisap dan/atau outlet blower. Berhati-hatilah agar inlet pengisap atau outlet blower tidak tersumbat oleh debu atau kotoran saat mengoperasikan di area berdebu.

PERHATIAN: Jangan gunakan nosel selain yang disediakan oleh Makita.

Memasang atau melepas perangkat tambahan blower

Untuk memasang perangkat tambahan blower, sejajarkan tonjolan port perangkat tambahan blower dengan alur di ventilasi, lalu dorong hingga berbunyi klik.

► **Gbr.31:** 1. Perangkat tambahan blower

Untuk melepas perangkat tambahan blower, tarik port ke bawah sambil menekan bagian atasnya seperti yang diilustrasikan berikut.

► **Gbr.32**

Meniup

Arahkan ujung perangkat tambahan blower ke objek yang akan ditiupkan, kemudian hidupkan mesin.

► **Gbr.33**

PERAWATAN

PERHATIAN: Selalu pastikan bahwa mesin dimatikan dan kartrid baterai dilepas sebelum melakukan pemeriksaan atau perawatan.

PEMBERITAHUAN: Jangan sekali-kali menggunakan bensin, tiner, alkohol, atau bahan sejenisnya. Penggunaan bahan demikian dapat menyebabkan perubahan warna, perubahan bentuk atau timbulnya retakan.

Untuk menjaga KEAMANAN dan KEANDALAN mesin, perbaikan, perawatan atau penyetelan lainnya harus dilakukan oleh Pusat Layanan Resmi atau Pabrik Makita; selalu gunakan suku cadang pengganti buatan Makita.

Pembersihan

Bersihkan bagian luar (badan pembersih) mesin dari waktu ke waktu dengan menggunakan kain yang dicelup air sabun.

Bersihkan juga lubang pengisap, area pemasangan kantong debu/saringan kertas dan penahan debu.

► **Gbr.34**

Cuci kantong debu dengan air sabun jika tersumbat oleh debu dan daya pembersih mulai melemah. Keringkan secara menyeluruh sebelum digunakan. Saringan yang tidak cukup kering dapat menyebabkan pengisapan menjadi buruk dan memperpendek usia pakai motor.

► **Gbr.35**

CATATAN: Saringan debu adalah tipe pakai-buang.

Saat saringan spons dipenuhi dengan debu, lepaskan dari pembersih dan kemudian bersihkan atau cuci dengan air.

Melepas dan memasang saringan spons

PERHATIAN: Setelah membersihkan saringan spons, pastikan untuk memasangnya pada pembersih. Jika dicuci dengan air, keringkan terlebih dahulu sebelum dipasang. Saringan spons yang tidak cukup kering dapat memperpendek usia pakai motor.

Untuk melepas saringan spons, lepaskan kantong debu atau saringan kertas, kemudian jepit dan keluarkan.

► **Gbr.36:** 1. Saringan spons

Tekan seluruh tepi dari saringan spons terhadap dinding ceruk di dalam area pemasangan kantong debu/saringan kertas.

► **Gbr.37:** 1. Dinding ceruk

Penyimpanan

PERINGATAN: Jangan pernah meninggalkan kartrid baterai dan pengisi daya di dalam mobil. Suhu di dalam mobil yang berada di bawah sinar matahari dapat lebih dari 50 °C (122 °F). Hal ini dapat merusak kartrid baterai dan menyebabkan keluarnya cairan, emisi asap, atau kebakaran.

► **Gbr.38**

PERINGATAN: Jangan pernah menggunakan pengisi daya saat menyimpannya dalam tas penyimpanan. Ventilasi udara yang terhalang dapat menyebabkan emisi asap atau kebakaran.

► **Gbr.39**

PERINGATAN: Jangan mengisi kartrid baterai dengan inverter di kendaraan. Hal ini dapat menyebabkan panas yang tidak normal dan mengakibatkan kebakaran.

PERINGATAN: Jangan pernah mengisi daya kartrid baterai di dalam mobil. Jika kartrid baterai terpapar suhu dengan rentang 10 °C (50 °F) - 40 °C (104 °F), kartrid baterai dapat menghasilkan panas dan/atau api atau ledakan.

PERHATIAN: Selalu simpan selang seperti yang diilustrasikan berikut untuk mencegah seseorang tersandung, ketika pembersih tidak digunakan. Selang yang tidak dilipat dapat menjerat kaki Anda dan menyebabkan cedera.

► **Gbr.40:** 1. Kait 2. Selang

Pemecahan masalah

Sebelum meminta perbaikan, periksa poin-poin berikut.

Gejala	Bagian yang harus diperiksa	Metode perbaikan
Daya pengisapan lemah	Apakah kantong debu atau saringan kertas penuh dengan debu?	Kosongkan kantong debu atau saringan kertas.
	Apakah kantong debu tersumbat?	Buang debu atau cuci kantong debu.
	Apakah saringan kertas tersumbat?	Ganti saringan kertas.
	Apakah daya kartrid baterai habis?	Isi ulang kartrid baterai.
Tidak bekerja	Apakah daya kartrid baterai habis?	Isi ulang kartrid baterai.
Penutup wadah debu tidak tertutup	Apakah kantong debu atau saringan kertas sudah terpasang?	Pasang kantong debu atau saringan kertas.

PEMBERITAHUAN: Jangan mencoba memperbaiki pembersih oleh Anda sendiri.

AKSESORI PILIHAN

⚠️ PERHATIAN: Dianjurkan untuk menggunakan aksesori atau perangkat tambahan ini dengan mesin Makita Anda yang ditentukan dalam petunjuk ini. Penggunaan aksesori atau perangkat tambahan lain bisa menyebabkan risiko cedera pada manusia. Hanya gunakan aksesori atau perangkat tambahan sesuai dengan peruntukannya.

Jika Anda memerlukan bantuan lebih rinci berkenaan dengan aksesori ini, tanyakan pada Pusat Layanan Makita terdekat.

- Pipa sambungan (Pipa lurus)
- Nosel
- Nosel untuk karpet
- Sikat rak
- Nosel sudut
- Sikat bulat
- Selang fleksibel
- Saringan kertas
- Mulut pipa serbaguna
- Nosel dudukan
- Nosel celah
- Perangkat tambahan siklon
- Kantong debu
- Kantong debu berperforma tinggi
- Tas portabel
- Baterai dan pengisi daya asli buatan Makita

CATATAN: Beberapa item dalam daftar tersebut mungkin sudah termasuk dalam paket mesin sebagai aksesori standar. Hal tersebut dapat berbeda dari satu negara ke negara lainnya.

AMARAN

- Alat ini boleh digunakan oleh kanak-kanak berumur 8 tahun ke atas dan orang yang mengalami kecacatan fizikal, deria atau kurang keupayaan mental atau kurang pengalaman dan pengetahuan jika mereka telah diberi pengawasan atau arahan berkenaan penggunaan alat ini secara selamat dan memahami bahaya yang terlibat.
- Kanak-kanak tidak boleh bermain dengan alat ini. Pembersihan dan penyelenggaraan pengguna tidak boleh dilakukan oleh kanak-kanak tanpa pengawasan.
- Lihat bab "SPESIFIKASI" untuk rujukan jenis bateri.
- Lihat bahagian "Memasang atau mengeluarkan kartrij bateri" untuk cara mengeluarkan atau memasang bateri.
- Apabila melupuskan kartrij bateri, keluarkan ia daripada alat dan lupuskan ia di tempat selamat. Ikut peraturan tempatan anda mengenai pelupusan bateri.
- Jika alat tidak digunakan untuk tempoh masa yang lama, bateri mesti dikeluarkan daripada alat.
- Jangan pintaskan kartrij bateri.
- Lihat bab "PENYELENGGARAAN" untuk mendapatkan butiran langkah berjaga-jaga yang sesuai semasa penyelenggaraan pengguna.

SPESIFIKASI

Model:		DCL184
Kapasiti	dengan beg habuk	500 mL
	dengan penapis kertas	330 mL
Penggunaan berterusan (dengan bateri BL1830B)	1 (Mod kelajuan normal)	Kira-kira 80 min
	2 (Mod kelajuan tinggi)	Kira-kira 30 min
	3 (Mod kelajuan maks)	Kira-kira 20 min
Panjang keseluruhan (dengan bateri BL1830B)		365 mm
Voltan terkadar		D.C. 18 V
Berat bersih		1.8 - 2.2 kg

- Disebabkan program penyelidikan dan pembangunan kami yang berterusan, spesifikasi yang terkandung di dalam ini adalah tertakluk kepada perubahan tanpa notis.
- Spesifikasi mungkin berbeza mengikut negara.
- Berat tidak termasuk aksesori tetapi kartrij bateri. Berat kombinasi paling ringan dan paling berat perkakas dan kartrij bateri ditunjukkan di dalam jadual.

Kartrij bateri dan pengecas yang boleh digunakan

Kartrij bateri	BL1815N / BL1820B / BL1830B / BL1840B / BL1850B / BL1860B
Pengecas	DC18RC / DC18RD / DC18RE / DC18SD / DC18SE / DC18SF / DC18SH

- Sesetengah kartrij bateri dan pengecas yang disenaraikan di atas mungkin tidak tersedia bergantung pada kawasan kediaman anda.

⚠AMARAN: Hanya menggunakan kartrij bateri dan pengecas yang disenaraikan di atas. Penggunaan mana-mana kartrij bateri dan pengecas lain boleh menyebabkan kecederaan dan/atau kebakaran.

Simbol

Berikut menunjukkan simbol-simbol yang boleh digunakan untuk alat ini. Pastikan anda memahami maksudnya sebelum menggunakan.



Baca manual arahan.



Hanya untuk negara-negara EU
Disebabkan kehadiran komponen berbahaya dalam peralatan, sisa peralatan elektrik dan elektronik, akumulator dan bateri boleh memberi kesan negatif terhadap persekitaran dan kesihatan manusia.
Jangan buang alat elektrik dan elektronik atau bateri bersama dengan bahan buangan isi rumah!
Mengikut Arahan Eropah mengenai sisa peralatan elektrik dan elektronik dan mengenai akumulator dan bateri dan sisa akumulator dan bateri serta penyesuaian dengan undang-undang negara, sisa peralatan elektrik, bateri dan akumulator hendaklah disimpan secara berasingan dan dihantar ke tempat pengumpulan berasingan untuk sisa perbandaran, beroperasi mengikut peraturan perlindungan persekitaran.
Ini ditunjukkan oleh simbol tong sampah beroda yang bersilang pada peralatan.

Tujuan penggunaan

Tujuan penggunaan alat untuk mengumpul debu kering.

AMARAN KESELAMATAN

Amaran keselamatan pembersih tanpa kord

⚠️ AMARAN: PENTING! BACA DENGAN TELITI semua amaran keselamatan dan semua arahan SEBELUM GUNA. Kegagalan mematuhi amaran dan arahan boleh menyebabkan kejutan elektrik, kebakaran dan/atau kecederaan serius.

1. **Jangan dedahkan kepada hujan. Simpan di dalam rumah.**
2. **Jangan biarkan digunakan sebagai mainan. Perhatian yang teliti diperlukan apabila digunakan oleh atau berdekatan dengan kanak-kanak.**
3. **Gunakan seperti yang dinyatakan dalam manual ini sahaja. Gunakan sambungan yang disyorkan pengilang sahaja.**
4. **Jangan gunakan dengan bateri yang rosak. Jika alat tidak berfungsi seperti yang sepatutnya, terjatuh, rosak, dibiarkan di luar, atau terjatuh ke dalam air, kembalikan ke pusat servis.**
5. **Jangan kendalikan alat dengan tangan basah.**

6. **Jangan letakkan sebarang objek ke dalam bukaan. Jangan gunakan dengan mana-mana bukaan tersekat; bebas dari habuk, lin, rambut, dan apa-apa sahaja yang boleh mengurangkan aliran udara.**
7. **Pastikan rambut, pakaian longgar, jari-jemari, dan semua anggota badan jauh dari bukaan dan bahagian bergerak.**
8. **Matikan semua kawalan sebelum mengeluarkan bateri.**
9. **Gunakan dengan lebih berhati-hati semasa membersihkan tangga.**
10. **Jangan gunakan untuk menyedut cecair mudah terbakar atau bahan bakar, seperti gasolin, atau digunakan di kawasan yang mungkin terdapat bahan tersebut.**
11. **Gunakan pengecas yang dibekalkan oleh pengeluar sahaja untuk mengecap semula.**
12. **Jangan menyedut apa-apa yang terbakar atau berasap, seperti rokok, mancis, atau abu panas.**
13. **Jangan gunakan tanpa beg habuk dan/atau penapis dipasang.**
14. **Jangan cas bateri di luar.**
15. **Cas semula dengan pengecas yang ditentukan oleh pengeluar sahaja.** Pengecas yang sesuai untuk satu jenis pek bateri mungkin menimbulkan risiko kebakaran apabila digunakan dengan pek bateri lain.
16. **Gunakan alat kuasa dengan pek bateri yang ditentukan secara khusus sahaja.** Penggunaan mana-mana pek bateri lain mungkin menimbulkan risiko kecederaan dan kebakaran.
17. **Apabila pek bateri tidak digunakan, jauhkannya daripada objek logam lain, seperti klip kertas, duit syiling, paku, skru atau objek logam kecil lain, yang boleh membuat sambungan dari satu terminal ke terminal yang lain.**
18. **Di bawah keadaan kasar, cecair mungkin dikeluarkan daripada bateri; elakkan sentuhan. Jika tersentuh secara tidak sengaja, siram dengan air.**
19. **Jangan gunakan pek bateri atau alat yang rosak atau diubah suai.** Bateri yang rosak atau diubah suai mungkin menunjukkan perilaku yang tidak dijangka menyebabkan kebakaran, letupan atau risiko kecederaan.
20. **Jangan dedahkan pek bateri atau alat kepada api atau suhu yang berlebihan.** Pendedahan kepada api atau suhu melebihi 130 °C mungkin menyebabkan letupan.
21. **Ikut semua arahan pengecasan dan jangan cas pek bateri atau alat di luar julat suhu yang ditetapkan dalam arahan.** Mengecap dengan tidak betul atau pada suhu di luar julat yang dinyatakan mungkin merosakkan bateri dan meningkatkan risiko kebakaran.

SIMPAN ARAHAN INI.

PERATURAN KESELAMATAN TAMBAHAN

Alat ini bertujuan untuk kegunaan di rumah.

1. Baca manual arahan ini dan manual arahan pengecasan dengan teliti sebelum penggunaan.
2. Jangan sedut bahan berikut:
 - Bahan panas seperti rokok yang menyala atau percikan/habuk logam yang dihasilkan oleh pengisaran/pemotongan logam
 - Bahan mudah terbakar seperti gasolin, pencair, benzin, kerosin atau cat
 - Bahan letupan seperti nitrogliserin
 - Bahan mudah nyala seperti Aluminium, zink, magnesium, titanium, fosforus atau seluloid
 - Kotoran basah, air, minyak atau yang serupa
 - Kepingan keras dengan tepi tajam, seperti serpihan kayu, logam, batu, kaca, paku, pin atau pisau cukur
 - Serbuk yang membeku seperti simen atau pengeton
 - Habuk konduksi seperti logam atau karbon
 - Zarah halus seperti debu konkritTindakan sedemikian boleh menyebabkan kebakaran, kecederaan dan/atau kerosakan harta benda.
3. Hentikan operasi serta-merta jika anda mendapati sesuatu yang tidak normal.
4. Jika anda terjatuhkan atau terlanggar pembersih, Periksa dengan teliti untuk keretakan atau kerosakan sebelum operasi.
5. Jangan dekatkan dengan dapur atau sumber haba lain.
6. Jangan halang lubang pengambilan atau lubang bolong.

SIMPAN ARAHAN INI.

Arahan keselamatan penting untuk kartrij bateri

1. Sebelum menggunakan kartrij bateri, baca semua arahan dan tanda amaran pada (1) pengecas bateri, (2) bateri, dan (3) produk menggunakan bateri.
2. Jangan buka atau cabut kartrij bateri. Ia boleh mengakibatkan kebakaran, haba berlebihan, atau letupan.
3. Jika masa operasi menjadi sangat pendek, berhenti operasi serta merta. Ia mungkin menyebabkan risiko pemanasan lampau, melecur bahkan letupan.
4. Jika elektrolit masuk ke dalam mata anda, bilas mata dengan air jernih dan dapatkan rawatan perubatan serta merta. Ia mungkin menyebabkan kehilangan penglihatan.

5. Jangan pintaskan kartrij bateri:
 - (1) Jangan sentuh terminal dengan bahan berkonduksi.
 - (2) Elakkan menyimpan kartrij bateri dalam bekas bersama-sama objek besi lain seperti paku, duit syiling, dll.
 - (3) Jangan dedahkan kartrij bateri kepada air atau hujan.Pintasan bateri boleh menyebabkan aliran kuasa yang besar, pemanasan lampau, melecur dan juga kerosakan.
6. Jangan simpan dan gunakan alat dan kartrij bateri di lokasi yang suhunya mungkin mencapai atau melebihi 50 °C (122 °F).
7. Jangan bakar kartrij bateri walaupun jika ia rosak teruk atau haus sepenuhnya. Kartrij bateri boleh meletup dalam kebakaran.
8. Jangan paku, potong, pecahkan, buang, jatuhkan kartrij bateri, atau tekan objek keras pada kartrij bateri. Perbuatan sedemikian boleh mengakibatkan kebakaran, haba berlebihan, atau letupan.
9. Jangan gunakan bateri yang rosak.
10. **Bateri litium ion yang terkandung adalah tertakluk kepada keperluan Perundangan Barangan Berbahaya.**

Bagi pengangkutan komersil cth. oleh pihak ketiga, ejen penghantar, keperluan khas pada pembungkusan dan pelabelan mestilah diperhatikan.

Bagi persediaan item yang dihantar, berunding dengan pakar bahan berbahaya adalah diperlukan. Sila juga perhatikan sebolehnya peraturan kebangsaan yang lebih terperinci. Lekatkan atau balut bahagian terbuka dan pek bateri supaya ia tidak bergerak dalam pembungkusan.
11. **Apabila melupuskan kartrij bateri, keluarkan ia daripada alat dan lupuskan ia di tempat selamat.** Ikut peraturan tempatan anda mengenai pelupusan bateri.
12. **Gunakan bateri hanya dengan produk yang ditentukan oleh Makita.** Memasang bateri kepada produk yang tidak patuh mungkin menyebabkan kebakaran, pemanasan lampau, atau kebocoran elektrolit.
13. **Jika alat tidak digunakan untuk tempoh masa yang lama, bateri mesti dikeluarkan daripada alat.**
14. **Semasa dan selepas penggunaan, kartrij bateri mungkin ada haba yang boleh menyebabkan terbakar atau suhu rendah terbakar.** Beri perhatian kepada pengendalian kartrij bateri yang panas.
15. **Jangan sentuh terminal alat itu selepas digunakan kerana ia mungkin panas** menyebabkan terbakar.
16. **Jangan biarkan cip, habuk, atau tanah terperangkap ke dalam terminal, lubang, dan alur kartrij bateri.** Ia mungkin menyebabkan prestasi atau pecahan yang buruk dari alat atau kartrij bateri.

17. **Melainkan alat ini menyokong penggunaan yang hampir dari talian kuasa elektrik voltan tinggi, jangan gunakan kartrij bateri berhampiran talian kuasa elektrik voltan tinggi.** Ia mungkin menyebabkan kerosakan atau pecah pada alat atau kartrij bateri.
18. **Jauhkan bateri daripada kanak-kanak.**

SIMPAN ARAHAN INI.

⚠️PERHATIAN: Hanya gunakan bateri asli Makita. Penggunaan bateri tidak asli Makita, atau bateri yang telah diubah suai, mungkin menyebabkan bateri meletup menyebabkan kebakaran, kecederaan diri dan kerosakan. Ia juga membatalkan jaminan Makita untuk alat Makita dan pengelasan.

Tip untuk mengekalkan hayat bateri maksimum

1. **Cas kartrij bateri sebelum ternyahcas sepenuhnya. Sentiasa hentikan operasi alat dan cas kartrij bateri apabila anda menyedari kurang kuasa alat.**
2. **Jangan cas semula kartrij bateri yang dicas sepenuhnya. Terlebih cas memendekkan hayat servis bateri.**
3. **Cas kartrij bateri dengan suhu bilik pada 10 °C - 40 °C (50 °F - 104 °F). Biarkan kartrij bateri yang panas menyejuk sebelum mengcasnya.**
4. **Apabila tidak menggunakan kartrij bateri, tanggalkannya dari alat atau pengcas.**
5. **Cas kartrij bateri jika anda tidak menggunakannya untuk tempoh yang lama (lebih daripada enam bulan).**

KETERANGAN FUNGSI

⚠️PERHATIAN: Sentiasa pastikan alat dimatikan dan kartrij bateri dikeluarkan sebelum menyelaras atau menyemak fungsi pada alat.

⚠️PERHATIAN: Berhati-hatilah supaya tidak terperangkap jari-jemari di antara pembersih dan bateri apabila memasukkan bateri. Jari-jemari yang terperangkap boleh menyebabkan kecederaan.

Memasang atau mengeluarkan kartrij bateri

⚠️PERHATIAN: Sentiasa matikan alat sebelum memasang atau mengeluarkan kartrij bateri.

⚠️PERHATIAN: Pegang alat dan kartrij bateri dengan kukuh apabila memasang atau mengeluarkan kartrij bateri. Gagal untuk memegang alat dan kartrij bateri dengan kukuh mungkin menyebabkan mereka terlepas daripada tangan anda dan mengakibatkan kerosakan kepada alat dan kartrij bateri dan kecederaan peribadi.

- **Rajah1:** 1. Penunjuk merah 2. Butang 3. Kartrij bateri

Untuk mengeluarkan kartrij bateri, luncurkan ia daripada alat apabila meluncurkan butang di hadapan kartrij.

Untuk memasang kartrij bateri, selaraskan lidah pada kartrij bateri dengan alur pada perumahan dan gelincirkan ia ke tempatnya. Masukkan ia sepenuhnya sehingga ia terkunci di tempatnya dengan klik kecil. Jika anda boleh melihat penunjuk merah seperti yang ditunjukkan dalam rajah, ia tidak dikunci sepenuhnya.

⚠️PERHATIAN: Sentiasa pasang kartrij bateri sepenuhnya sehingga penunjuk merah tidak boleh dilihat. Jika tidak, ia mungkin jatuh tanpa sengaja daripada alat, menyebabkan kecederaan kepada anda atau seseorang di sekeliling anda.

⚠️PERHATIAN: Jangan pasang kartrij bateri secara paksa. Jika kartrij tidak meluncur dengan mudah, ia tidak dimasukkan dengan betul.

Sistem perlindungan alat / bateri

Alat dilengkapi dengan sistem perlindungan alat/bateri. Sistem ini memotong kuasa kepada motor secara automatik untuk memanjangkan hayat alat dan bateri. Alat akan berhenti secara automatik semasa operasi jika alat atau bateri diletakkan di bawah salah satu keadaan yang berikut. Dalam keadaan tertentu, lampu penunjuk menyala.

- **Rajah2:** 1. Lampu penunjuk

Perlindungan lebih beban

Apabila alat beroperasi dengan cara yang menyebabkan ia menarik arus tinggi yang luar biasa, alat secara automatik terhenti dan penunjuk menyala selama kira-kira 60 saat. Dalam situasi ini, matikan alat dan hentikan penggunaan yang menyebabkan alat menjadi terlebih beban. Kemudian hidupkan alat untuk mula semula.

Perlindungan pemanasan lampau

Apabila alat/bateri terlampau panas, alat berhenti secara automatik dan penunjuk bateri menyala selama kira-kira 60 saat. Alat tidak bermula walaupun anda menghidupkan alat. Dalam situasi ini, biarkan bateri sejuk sebelum hidupkan alat semula.

Perlindungan lebih nyahcas

Semasa kapasiti bateri yang tinggal menjadi rendah, penunjuk berkelip. Dengan kegunaan seterusnya, alat berhenti dan penunjuk menyala selama kira-kira 60 saat. Jika anda menghidupkan alat, motor berjalan semula tetapi kemudiannya berhenti. Dalam situasi ini, cas kartrij bateri.

NOTA: Masa lampu penunjuk menyala bergantung kepada suhu di tempat kerja dan keadaan kartrij bateri.

Menunjukkan kapasiti bateri yang tinggal

Hanya untuk kartrij bateri dengan penunjuk

► **Rajah3:** 1. Lampu penunjuk 2. Butang semak

Tekan butang semak pada kartrij bateri untuk menunjukkan kapasiti bateri yang tinggal. Lampu penunjuk menyala untuk beberapa saat.

Lampu penunjuk			Kapasiti yang tinggal
Dinyalakan	Mati	Berkelip	
■	□	◐	75% hingga 100%
■	■	■	50% hingga 75%
■	■	□	25% hingga 50%
■	□	□	0% hingga 25%
◐	□	□	Cas bateri.
■	■	□	Bateri mungkin telah rosak.
□	□	■	

NOTA: Bergantung kepada keadaan penggunaan dan suhu persekitaran, penunjuk mungkin berbeza sedikit daripada kapasiti sebenar.

NOTA: Lampu penunjuk (kiri jauh) pertama akan berkedip apabila sistem perlindungan bateri berfungsi.

Tindakan suis

► **Rajah4:** 1. Butang ON/tukar kelajuan 2. Butang OFF

Untuk memulakan pembersih, hanya tekan butang ON/ tukar kelajuan. Untuk mematikan, tekan butang OFF. Anda boleh menukar kelajuan pembersih dalam tiga langkah dengan menekan butang ON/tukar kelajuan. Tekanan yang pertama pada butang ini adalah untuk mod kelajuan tinggi, tekanan yang kedua untuk mod kelajuan maksimum dan tekanan yang ketiga untuk mod kelajuan normal. Setiap tekanan pada butang ini mengulangi kitaran kelajuan tinggi/maks/normal secara berselang-seli.

PEMASANGAN

PERHATIAN: Sentiasa pastikan alat dimatikan dan kartrij bateri dikeluarkan sebelum menjalankan sebarang kerja pada alat.

Beg habuk dan penapis kertas

Pasang sama ada beg habuk atau penapis kertas sebelum menggunakan pembersih. Gunakan penyumbat habuk apabila memasang sama ada beg habuk atau penapis kertas. Beg habuk boleh digunakan berkali-kali dengan membersihkannya. Penapis kertas adalah jenis pakai buang. Buang keseluruhan penapis kertas tanpa mengosongkannya apabila sudah penuh.

NOTIS: Untuk mengelakkan habuk daripada masuk ke dalam motor:

- Pastikan beg habuk atau penapis kertas dipasang sebelum digunakan.
- Masukkan penyumbat habuk bersama dengan beg habuk atau penapis kertas sepenuhnya ke dalam slot apabila memasangnya.
- Jangan gunakan beg yang rosak atau koyak.

Jika tidak, motor boleh rosak.

NOTIS: Jangan lipat kadkod pada bukannya apabila memasang penapis kertas.

NOTIS: Jangan sekali-kali membuang penyumbat habuk kerana ia perlu digunakan berulang kali sama ada ketika beg habuk atau penapis kertas digunakan.

NOTIS: Penapis kertas untuk pembersih adalah komponen penting bagi mengekalkan prestasi alat. Menggunakan selain daripada penapis kertas tulen boleh menyebabkan asap atau penyalaan.

Memasang Beg habuk

Gunakan penyumbat habuk apabila memasang beg habuk. Berhati-hati supaya tidak tertukar bahagian atas sebagai bahagian bawah tanpa sengaja kerana ia berbeza antara satu sama lain.

► **Rajah5:** 1. Bahagian atas penyumbat habuk 2. Bahagian bawah penyumbat habuk

1. Masukkan tonjolan beg habuk ke dalam alur pada penyumbat habuk seperti yang ditunjukkan dalam rajah.

Beg habuk tidak mempunyai perbezaan antara bahagian atas dan bawah. Anda boleh memasukkan tonjolannya pada mana-mana bahagian ke dalam alur penyumbat habuk.

► **Rajah6:** 1. Penyumbat habuk 2. Alur 3. Beg habuk

2. Tindihkan rangka penyumbat habuk dengan rangka beg habuk.

► **Rajah7**

3. Letakkan penyumbat habuk dan beg habuk bersama-sama ke dalam rongga pembersih dalam arah yang sama dengan anak panah pada penyumbat habuk. Masukkan ia sepenuhnya ke dalam slot dalam rongga pembersih.

► **Rajah8:** 1. Slot

4. Letakkan keseluruhan bahagian kain beg habuk ke dalam pembersih itu sendiri.

► **Rajah9**

5. Tutup penutup bekas habuk sepenuhnya.

► **Rajah10:** 1. Penutup bekas habuk

NOTA: Apabila beg habuk tidak dipasang di dalam pembersih, penutup bekas habuk tidak ditutup sepenuhnya.

Memasang penapis kertas

Gunakan juga penyumbat habuk apabila memasang penapis kertas. Berhati-hati supaya tidak tertukar bahagian atas sebagai bahagian bawah tanpa sengaja kerana ia berbeza antara satu sama lain.

► **Rajah11:** 1. Bahagian atas penyumbat habuk
2. Bahagian bawah penyumbat habuk

1. Buka lipatan bukaan penapis kertas sebelum meletakkannya pada penyumbat habuk.

► **Rajah12**

2. Masukkan tonjolan penapis kertas ke dalam alur pada penyumbat habuk seperti yang ditunjukkan dalam rajah.

Penapis kertas tidak mempunyai perbezaan antara bahagian atas dan bawah. Anda boleh memasukkan tonjolannya pada mana-mana bahagian ke dalam alur penyumbat habuk.

► **Rajah13:** 1. Penyumbat habuk 2. Alur 3. Penapis kertas

3. Tindihkan rangka penyumbat habuk dengan rangka penapis kertas.

► **Rajah14**

4. Letakkan penyumbat habuk dan penapis kertas bersama-sama ke dalam rongga pembersih dalam arah yang sama dengan anak panah pada penyumbat habuk. Masukkan ia sepenuhnya ke dalam slot dalam rongga pembersih.

► **Rajah15:** 1. Slot

5. Letakkan keseluruhan bahagian bekas penapis kertas ke dalam pembersih itu sendiri.

► **Rajah16**

6. Tutup penutup bekas habuk sepenuhnya.

► **Rajah17:** 1. Penutup bekas habuk

NOTA: Apabila penapis kertas tidak dipasang di dalam pembersih, penutup bekas habuk tidak ditutup sepenuhnya.

Memasang tali gelas

PERHATIAN: Berhati-hati agar tali gelas tidak tersangkut pada objek di persekitaran anda.

PERHATIAN: Berhati-hatilah agar tali gelas tidak terluat dari bahu anda apabila menggunakan pembersih. Untuk pengendalian stabil pembersih, disarankan untuk memakai tali gelas disilangkan di depan dada anda.

Pasang cangkuk tali gelas ke atas cagak pembersih seperti ditunjukkan dalam rajah.

► **Rajah18:** 1. Tali gelas 2. Cangkuk 3. Cagak

NOTA: Anda juga boleh memasang tali bahu ke beg lembut (aksesori pilihan) seperti digambarkan.

► **Rajah19:** 1. Tali gelas 2. Beg lembut

OPERASI

PERHATIAN: Sentiasa memegang pemegang apabila membawa pembersih. Jika anda memegang bahagian sambungan untuk membawa, ia mungkin tertanggal dari pembersih dan mengakibatkan kecederaan diri.

PERHATIAN: Jangan gunakan alat semasa memandu kereta atau enjin sedang berjalan.

PERHATIAN: Jangan tarik sambungan hos seperti yang ditunjukkan dalam rajah tersebut. Memegang sambungan hos boleh menyebabkan jari anda tersepit.

► **Rajah20:** 1. Sambungan hos

Menggunakan pembersih hampagas

NOTA: Tanggalkan sambungan penghembus sebelum pembersihan hampagas. Jika sambungan penghembus dipasang pada pembersih, kuasa sedutan akan berkurang.

Memasang atau mengeluarkan sambungan pembersih

Untuk menyambung sambungan seperti muncung, putar dan masukkan dengan kukuh ke hos. Untuk cabut sambungan, putar dan tanggalkan ia.

Cara pemasangan berbeza-beza bergantung kepada muncung seperti yang digambarkan.

► **Rajah21:** 1. Hos 2. Muncung getah 3. Berus lembut
4. Muncung tempat duduk 5. Muncung tikan

Pembersihan hampagas

Muncung getah

Muncung ini memudahkan pembersihan bucu bawah seperti poket pintu. Muncung getah adalah lembut pada permukaan pembersihan.

► **Rajah22:** 1. Muncung getah

Berus lembut

Muncung ini memudahkan pembersihan bolong pendingin udara, papan pemuka dan lain-lain. Kepala berus lembut boleh dipusingkan ke sudut kanan.

► **Rajah23:** 1. Berus lembut

Muncung tempat duduk

Muncung ini mempunyai berus lin untuk membersihkan permukaan tempat duduk. Berus sisi pada muncung adalah berguna untuk mengirai habuk dari pelipat.

► **Rajah24:** 1. Muncung tempat duduk 2. Berus sisi

Muncung tikar

Muncung ini digunakan untuk membersihkan tikar lantai dan permaidani. Gigi pada muncung membantu mengirai biji pasir.

► **Rajah25:** 1. Muncung tikar

NOTIS: Sentiasa gunakan muncung tikar untuk membersihkan tikar. Menggunakan muncung tikar untuk bahan lain boleh mencalarakan permukaannya.

Membersih tanpa muncung

Anda boleh melakukan pembersihan hampagas tanpa muncung.

► **Rajah26**

Pembuangan habuk

PERHATIAN: Kosongkan beg habuk atau gantikan penapis kertas sebelum ia menjadi penuh. Jika tidak, daya sedutan/hembusan menjadi semakin lemah.

PERHATIAN: Apabila menutup penutup bekas habuk, berhati-hati agar tidak tersepit jari-jemari anda.

NOTIS: Jangan sekali-kali membuang penyumbat habuk kerana ia harus digunakan setiap kali beg habuk atau penapis kertas digunakan.

NOTIS: Apabila beg habuk/penapis kertas tiada di dalam pembersih, penutup bekas habuk tidak ditutup sepenuhnya. Jangan paksa untuk menutup penutup bekas habuk. Ia boleh mengakibatkan kecacatan atau pecahan alat.

NOTIS: Semasa membuang habuk, bersihkan juga ruang untuk beg habuk/penapis kertas. Sisa habuk dan kotoran di dalam ruang tersebut boleh menyebabkan penapis span tersumbat atau merosakkan motor.

1. Buka penutup bekas habuk.

► **Rajah27:** 1. Penutup bekas habuk

2. Tarik penyumbat habuk berwarna jingga dan beg habuk/penapis kertas pada masa yang sama.

► **Rajah28:** 1. Penyumbat habuk

3. Apabila menggunakan beg habuk

Keluarkan penyumbat habuk dan kosongkan beg habuk.

► **Rajah29:** 1. Penyumbat habuk 2. Beg habuk

Apabila menggunakan penapis kertas

Keluarkan penyumbat habuk dan buang penapis kertas.

► **Rajah30:** 1. Penyumbat habuk 2. Penapis kertas

4. Letakkan beg habuk/penapis kertas baharu dan penyumbat habuk bersama-sama ke dalam pembersih dan tutup penutup bekas habuk.

Menggunakan sebagai penghembus

PERHATIAN: Jangan sekali-kali halakan muncung kepada sesiapa sahaja di kawasan itu.

PERHATIAN: Untuk mengelakkan tersedut habuk, disarankan untuk membuka tingkap, dan juga memakai goggles dan topeng perlindungan ketika pengendalian.

PERHATIAN: Jangan tarik sambungan penghembus. Ia mungkin tertanggal dari pembersih.

PERHATIAN: Jangan gunakan pembersih untuk meniup udara ke dalam objek, seperti rakit getah, bola atau produk boleh kembung yang lain. Peningkatan putaran motor boleh menyebabkan kerosakan kipas yang berbahaya.

PERHATIAN: Jangan sekali-kali menyekat salur masuk sedutan dan/atau salur keluar penghembus. Berhati-hati supaya tidak menyekat salur masuk sedutan atau salur keluar penghembus dengan habuk atau kotoran semasa beroperasi di kawasan yang berdebu.

PERHATIAN: Jangan gunakan muncung selain daripada muncung yang disediakan oleh Makita.

Memasang atau menanggalkan sambungan penghembus

Untuk memasang sambungan penghembus, jajarkan tonjolan port sambungan penghembus dengan alur pada bolong, dan kemudian tekan sehingga berbunyi klik.

► **Rajah31:** 1. Sambungan penghembus

Untuk menanggalkan sambungan penghembus, tarik port ke bawah sambil menekan bahagian atasnya seperti yang digambarkan.

► **Rajah32**

Menghembus

Halakan hujung sambungan penghembus ke arah objek untuk menghembus dan kemudian hidupakan alat.

► **Rajah33**

PENYELENGGARAAN

⚠️PERHATIAN: Sentiasa pastikan alat dimatikan dan kartrij bateri dikeluarkan sebelum cuba menjalankan pemeriksaan atau penyelenggaraan.

NOTIS: Jangan gunakan petrol, benzin, pencair, alkohol atau bahan yang serupa. Ia boleh menyebabkan perubahan warna, bentuk atau keretakan.

Untuk mengekalkan KESELAMATAN dan KEBOLEHPERCAYAAN produk, pembaikan, apa-apa penyelenggaraan atau penyesuaian lain perlu dilakukan oleh Kilang atau Pusat Servis Makita yang Diiktiraf, sentiasa gunakan alat ganti Makita.

Membersih

Dari semasa ke semasa lap bahagian luar (badan pembersih) pembersih menggunakan kain yang dilembapkan dalam air sabun.

Bersihkan juga bukaan sedutan, kawasan lekapan beg habuk/penapis kertas dan penyumbat habuk.

► **Rajah34**

Basuh beg habuk di dalam air sabun apabila ia tersumbat dengan habuk dan kuasa pembersih menjadi lemah. Keringkan ia sepenuhnya sebelum penggunaan. Penapis yang tidak dikeringkan secukupnya boleh menyebabkan sedutan yang lemah dan memendekkan hayat perkhidmatan motor.

► **Rajah35**

NOTA: Penapis kertas adalah jenis pakai buang.

Apabila penapis span tersumbat dengan habuk, keluarkan dari pembersih dan kemudian lap atau cuci di dalam air.

Mengeluarkan dan memasang penapis span

⚠️PERHATIAN: Selepas membersihkan penapis span, pastikan untuk memasangnya pada pembersih. Jika dicuci di dalam air, keringkan sebelum memasang. Penapis span yang tidak dikeringkan secukupnya boleh memendekkan hayat perkhidmatan motor.

Untuk mengeluarkan penapis span, keluarkan beg debu atau penapis kertas dan kemudian cubit dan keluarkannya.

► **Rajah36:** 1. Penapis span

Tekan seluruh bahagian hujung penapis span pada dinding berlekuk di dalam kawasan lekapan beg habuk/penapis kertas.

► **Rajah37:** 1. Dinding berlekuk

Penyimpanan

⚠️AMARAN: Jangan sekali-kali tinggalkan kartrij bateri dan pengecas di dalam kereta. Suhu di dalam kereta yang terletak di bawah matahari boleh melebihi 50 °C (122 °F). Ia boleh menyebabkan kartrij bateri rosak dan mengakibatkan pancutan cecair, pelepasan asap atau kebakaran.

► **Rajah38**

⚠️AMARAN: Jangan sekali-kali gunakan pengecas semasa menyimpannya di dalam beg penyimpanan. Menyekat bolong udara boleh menyebabkan pelepasan asap atau kebakaran.

► **Rajah39**

⚠️AMARAN: Jangan sekali-kali mengecas kartrij bateri dengan penyongsang dalam kenderaan. Ia boleh menyebabkan haba tidak normal dan menyebabkan kebakaran.

⚠️AMARAN: Jangan sekali-kali mengecas kartrij bateri di dalam kereta. Jika kartrij bateri terdedah kepada julat suhu antara 10°C (50 °F) - 40°C (104 °F), ia boleh menjana haba dan/atau terbakar atau meletup.

⚠️PERHATIAN: Sentiasa simpan hos seperti digambarkan untuk mengelakkan tersadung, apabila pembersih tidak digunakan. Hos yang tidak digulung mungkin tersangkut pada kaki anda dan menyebabkan kecederaan diri.

► **Rajah40:** 1. Cangkuk 2. Hos

Menyelesaikan masalah

Sebelum meminta pembaikan, periksa perkara berikut.

Gejala	Kawasan yang perlu disiasat	Kaedah pemasangan
Kuasa sedutan lemah	Adakah beg habuk atau penapis kertas penuh dengan habuk?	Kosongkan beg habuk atau penapis kertas.
	Adakah beg habuk tersumbat?	Buang habuk atau basuh beg habuk.
	Adakah penapis kertas tersumbat?	Gantikan penapis kertas.
	Adakah kartrij bateri telah ternyahcas?	Cas kartrij bateri.
Tidak berfungsi	Adakah kartrij bateri telah ternyahcas?	Cas kartrij bateri.
Penutup bekas habuk tidak tertutup	Adakah beg habuk atau penapis kertas dipasang?	Pasangkan beg habuk atau penapis kertas.

NOTIS: Jangan cuba membaiki sendiri pembersih.

AKSESORI PILIHAN

⚠ PERHATIAN: Aksesori-aksesori atau lampiran-lampiran ini adalah disyorkan untuk digunakan dengan alat Makita anda yang ditentukan dalam manual ini. Penggunaan mana-mana aksesori-aksesori atau lampiran-lampiran lain mungkin mengakibatkan risiko kecederaan kepada orang. Hanya gunakan aksesori atau lampiran untuk tujuan yang dinyatakannya.

Jika anda memerlukan sebarang bantuan untuk maklumat lebih lanjut mengenai aksesori ini, tanya Pusat Perkhidmatan Makita tempatan anda.

- Tongkat sambungan (Paip lurus)
- Muncung
- Muncung untuk permaidani
- Berus para-para
- Muncung penjuru
- Berus bulat
- Hos fleksibel
- Penapis kertas
- Muncung bebas
- Muncung tempat duduk
- Muncung celah
- Sambungan siklon
- Beg habuk
- Beg habuk berprestasi tinggi
- Beg lembut
- Bateri dan pengecas asli Makita

NOTA: Beberapa item dalam senarai mungkin disertakan dalam pakej alat sebagai aksesori standard. Item mungkin berbeza mengikut negara.

CẢNH BÁO

- Trẻ em trong độ tuổi từ 8 tuổi trở lên và người suy giảm thể chất, giác quan hoặc khả năng trí óc hoặc thiếu kinh nghiệm và kiến thức có thể sử dụng thiết bị này nếu họ được giám sát hoặc hướng dẫn sử dụng thiết bị an toàn và hiểu được những tác hại nguy hiểm khi sử dụng.
- Trẻ em không được nghịch thiết bị. Không nên để trẻ em thực hiện vệ sinh và bảo dưỡng mà không có sự giám sát.
- Xem chương “THÔNG SỐ KỸ THUẬT” để biết loại tham chiếu dành cho pin.
- Xem phần “Lắp hoặc tháo hộp pin” để biết cách tháo hoặc lắp pin.
- Khi vứt bỏ hộp pin, hãy tháo chúng khỏi dụng cụ và thải bỏ ở nơi an toàn. Phải tuân thủ theo các quy định của địa phương liên quan đến việc thải bỏ pin.
- Nếu dụng cụ không được sử dụng trong một thời gian dài, cần phải tháo pin ra khỏi dụng cụ.
- Không để hộp pin ở tình trạng đoản mạch.
- Xem chương “BẢO DƯỠNG” để biết các chi tiết thích hợp về các biện pháp phòng ngừa trong quá trình bảo dưỡng của người dùng.

THÔNG SỐ KỸ THUẬT

Kiểu máy:		DCL184
Dung lượng	với một túi chứa bụi	500 mL
	với bộ lọc giấy	330 mL
Tiếp tục sử dụng (với pin BL1830B)	1 (Chế độ tốc độ bình thường)	Khoảng 80 min
	2 (Chế độ tốc độ cao)	Khoảng 30 min
	3 (Chế độ tốc độ tối đa)	Khoảng 20 min
Tổng chiều dài (với pin BL1830B)		365 mm
Điện áp định mức		18 V một chiều
Khối lượng tịnh		1,8 - 2,2 kg

- Do chương trình nghiên cứu và phát triển liên tục của chúng tôi nên các thông số kỹ thuật trong đây có thể thay đổi mà không cần thông báo trước.
- Các thông số kỹ thuật có thể thay đổi tùy theo từng quốc gia.
- Khối lượng không bao gồm các phụ kiện, ngoại trừ (các) hộp pin. Khối lượng kết hợp nhẹ nhất, nặng nhất của thiết bị và (các) hộp pin được thể hiện như trong bảng.

Hộp pin và sạc pin có thể áp dụng

Hộp pin	BL1815N / BL1820B / BL1830B / BL1840B / BL1850B / BL1860B
Bộ sạc	DC18RC / DC18RD / DC18RE / DC18SD / DC18SE / DC18SF / DC18SH

- Một số hộp pin và sạc pin được nêu trong danh sách ở trên có thể không khả dụng tùy thuộc vào khu vực cư trú của bạn.

⚠ CẢNH BÁO: Chỉ sử dụng hộp pin và sạc pin được nêu trong danh sách ở trên. Việc sử dụng bất cứ hộp pin và sạc pin nào khác có thể gây ra thương tích và/hoặc hỏa hoạn.

Ký hiệu

Phần dưới đây cho biết các ký hiệu có thể được dùng cho thiết bị. Đảm bảo rằng bạn hiểu rõ ý nghĩa của các ký hiệu này trước khi sử dụng.



Đọc tài liệu hướng dẫn.



Chỉ dành cho các quốc gia EU
Do có các thành phần nguy hiểm bên trong thiết bị điện và điện tử, ắc quy và pin thải bỏ nên có thể có tác động không tốt đến môi trường và sức khỏe con người.
Không vứt bỏ các thiết bị điện và điện tử hoặc pin với rác thải sinh hoạt!
Theo Chỉ thị của Châu Âu về thiết bị điện và điện tử thải bỏ và về pin và ắc quy và pin và ắc quy thải bỏ, cũng như sự thích ứng của chúng với luật pháp quốc gia, các thiết bị điện, pin và ắc quy thải phải được cất giữ riêng biệt và chuyển đến một điểm thu gom rác thải đô thị riêng, hoạt động theo các quy định về bảo vệ môi trường. Điều này được biểu thị bằng biểu tượng thùng rác có bánh xe gạch chéo được đặt trên thiết bị.

Mục đích sử dụng

Dụng cụ này được dùng để gom bụi khô.

CẢNH BÁO AN TOÀN

Cảnh báo an toàn cho máy hút bụi chạy pin

⚠ CẢNH BÁO: LƯU Ý ĐỌC KỸ tất cả các cảnh báo an toàn và các hướng dẫn TRƯỚC KHI SỬ DỤNG. Việc không tuân theo các cảnh báo và hướng dẫn có thể dẫn đến điện giật, hỏa hoạn và/hoặc thương tích nghiêm trọng.

1. Không được tiếp xúc với mưa. Cất giữ trong nhà.
2. Không được phép sử dụng thiết bị như là đồ chơi. Cần chú ý kỹ khi sử dụng bởi hoặc gần trẻ em.
3. Chỉ sử dụng theo mô tả trong sách hướng dẫn này. Chỉ sử dụng các phụ tùng được khuyến nghị của nhà sản xuất.
4. Không sử dụng khi pin đã hỏng. Nếu thiết bị hoạt động không đúng cách, bị rơi, bị hư hỏng, để ngoài trời, hoặc bị rơi vào nước, hãy đưa về trung tâm bảo hành.
5. Không sử dụng thiết bị khi tay ướt.
6. Không đưa bất cứ vật gì vào trong miệng máy. Không sử dụng khi miệng máy bị kẹt; giữ máy khỏi bụi, xơ vải, tóc hay bất cứ thứ gì có thể làm giảm lưu lượng dòng khí.
7. Giữ cho tóc, quần áo rộng, ngón tay, và tất cả các bộ phận của cơ thể tránh xa phần miệng máy và các bộ phận chuyển động.
8. Tắt tất cả điều khiển trước khi tháo pin.

9. Sử dụng cẩn thận khi làm sạch trên các bậc thang.
10. Không sử dụng để hút chất lỏng để bắt lửa hoặc dễ cháy như xăng, hoặc sử dụng trong các khu vực có thể có chúng.
11. Chỉ sử dụng bộ sạc được cung cấp bởi nhà sản xuất để sạc.
12. Không hút bất cứ thứ gì đang cháy hoặc bốc khói, như thuốc lá, diêm, hoặc tro nóng.
13. Không sử dụng khi không có túi chứa bụi và/hoặc các bộ lọc đúng vị trí.
14. Không sạc pin ở ngoài trời.
15. Chỉ sạc pin lại với bộ sạc do nhà sản xuất quy định. Bộ sạc phù hợp với một loại bộ pin này có thể gây ra nguy cơ hỏa hoạn khi được dùng cho một bộ pin khác.
16. Chỉ sử dụng các dụng cụ máy với các bộ pin được quy định cụ thể. Việc sử dụng bất cứ bộ pin nào khác có thể gây ra thương tích và hỏa hoạn.
17. Khi không sử dụng (bộ) pin, hãy giữ tránh xa các đồ vật khác bằng kim loại, chẳng hạn như kẹp giấy, tiền xu, chìa khóa, đinh, ốc vít hoặc các vật nhỏ bằng kim loại mà có thể làm nối tất các đầu cực pin.
18. Trong điều kiện sử dụng quá mức, pin có thể bị cháy nước; hãy tránh tiếp xúc. Nếu vô tình tiếp xúc với pin bị cháy nước, hãy rửa sạch bằng nước.
19. Không sử dụng bộ pin hoặc dụng cụ bị hư hỏng hoặc đã bị sửa đổi. Pin đã bị hư hỏng hoặc đã bị sửa đổi có thể hành động theo cách không thể đoán trước dẫn đến cháy, nổ hoặc nguy cơ chấn thương.
20. Không để bộ pin hoặc dụng cụ tiếp xúc với lửa hoặc nhiệt độ quá cao. Tiếp xúc với lửa hoặc nhiệt độ trên 130 °C có thể gây ra cháy nổ.
21. Làm theo tất cả các hướng dẫn sạc pin và không được sạc bộ pin hoặc dụng cụ vượt giới hạn nhiệt độ quy định trong hướng dẫn. Sạc pin không đúng hoặc ở nhiệt độ vượt giới hạn nhiệt độ có thể gây hư hỏng cho pin và làm tăng nguy cơ cháy.

LƯU GIỮ CÁC HƯỚNG DẪN NÀY.

CÁC QUY ĐỊNH AN TOÀN BỔ SUNG

Thiết bị này chỉ dùng trong gia đình.

1. Đọc kỹ tài liệu hướng dẫn này và tài liệu hướng dẫn sạc pin trước khi sử dụng.
2. Không hút những vật chất sau:
 - Những vật nóng như mẩu thuốc lá, hoặc bụi tía lửa/kim loại sinh ra do nghiền/cắt kim loại
 - Những vật chất dễ cháy như xăng, dung môi, ét xăng, dầu hỏa hoặc sơn
 - Những vật chất dễ cháy nổ như nitro glycerin
 - Những vật chất dễ bắt lửa như nhôm, kẽm, magiê, titan, phot pho hoặc nhựa

- Đắt ướt, nước, dầu hoặc những chất tương tự
- Những mảnh cứng với cạnh sắc nhọn, như dăm gỗ, kim loại, đá, kính, móng tay, móng chân hoặc dao cạo
- Bột đồng cục lại như xi măng hoặc mực
- Bụi dẫn điện như kim loại hoặc các-bon
- Hạt mịn như bụi bê tông

Những hành động như vậy có thể gây ra cháy, thương tích và/hoặc thiệt hại tài sản.

3. Ngừng vận hành ngay lập tức nếu bạn nhận thấy bất cứ điều gì bất thường.
4. Nếu bạn làm rơi hoặc va đập máy, hãy kiểm tra cẩn thận xem máy hút bụi có bị nứt hoặc bị hư hỏng hay không trước khi vận hành.
5. Không mang lại gần bếp lò hoặc các nguồn nhiệt khác.
6. Không chặn lỗ ra vào và các lỗ thông hơi.

LƯU GIỮ CÁC HƯỚNG DẪN NÀY.

Hướng dẫn quan trọng về an toàn dành cho hộp pin

1. Trước khi sử dụng hộp pin, hãy đọc kỹ tất cả các hướng dẫn và dấu hiệu cảnh báo trên (1) bộ sạc pin, (2) pin và (3) sản phẩm sử dụng pin.
2. Không tháo rời hoặc làm thay đổi hộp pin. Việc này có thể dẫn đến hỏa hoạn, quá nhiệt hoặc nổ.
3. Nếu thời gian vận hành ngắn hơn quá mức, hãy ngừng vận hành ngay lập tức. Điều này có thể dẫn đến rùi ro quá nhiệt, có thể gây bỏng và thậm chí là nổ.
4. Nếu chất điện phân rơi vào mắt, hãy rửa sạch bằng nước sạch và đến cơ sở y tế ngay lập tức. Chất này có thể khiến bạn giảm thị lực.
5. Không để hộp pin ở tình trạng đoản mạch:
 - (1) Không chạm vào cực pin bằng vật liệu dẫn điện.
 - (2) Tránh cất giữ hộp pin trong hộp có các vật kim loại khác như đinh, tiền xu, v.v...
 - (3) Không được để hộp pin tiếp xúc với nước hoặc mưa.

Đoản mạch pin có thể gây ra dòng điện lớn, quá nhiệt, có thể gây bỏng và thậm chí là hỏng hóc.
6. Không cất giữ cũng như sử dụng dụng cụ và hộp pin ở nơi nhiệt độ có thể lên tới hoặc vượt quá 50 °C (122 °F).
7. Không đốt hộp pin ngay cả khi hộp pin đã bị hư hại nặng hoặc hư hỏng hoàn toàn. Hộp pin có thể nổ khi tiếp xúc với lửa.
8. Không đóng đinh, cắt, nghiền nát, ném, làm rơi hộp pin hoặc va vật cứng vào hộp pin. Làm như thế có thể dẫn đến hỏa hoạn, quá nhiệt hoặc nổ.
9. Không sử dụng pin đã hỏng.

10. Pin nén lithium-ion là đối tượng có yêu cầu bắt buộc theo Luật Hàng hoá Nguy hiểm. Đối với vận tải thương mại, ví dụ như vận tải do bên thứ ba, đại lý giao nhận, thì yêu cầu đặc biệt về đóng gói và nhãn ghi phải được giám sát. Để chuẩn bị cho mặt hàng cần vận chuyển, cần phải tham khảo ý kiến chuyên gia về vật liệu nguy hiểm. Nếu được, vui lòng tuân thủ các quy định quốc gia chi tiết hơn. Buộc phải niêm phong các tiếp điểm mở và đóng pin theo cách đó để nó không thể di chuyển trong bao bì.
11. Khi vứt bỏ hộp pin, hãy tháo chúng khỏi dụng cụ và thải bỏ ở nơi an toàn. Phải tuân thủ theo các quy định của địa phương liên quan đến việc thải bỏ pin.
12. Chỉ sử dụng pin cho các sản phẩm Makita chỉ định. Lắp pin vào sản phẩm không thích hợp có thể gây ra hỏa hoạn, quá nhiệt, nổ, hoặc rò chất điện phân.
13. Nếu dụng cụ không được sử dụng trong một thời gian dài, cần phải tháo pin ra khỏi dụng cụ.
14. Trong và sau khi sử dụng, hộp pin có thể bị nóng, có thể gây bỏng hoặc bỏng ở nhiệt độ thấp. Chú ý xử lý hộp pin nóng.
15. Không chạm vào điện cực của dụng cụ ngay sau khi sử dụng vì điện cực đủ nóng để gây bỏng.
16. Không để vụn bào, bụi hoặc đất bám vào các điện cực, lỗ và rãnh của hộp pin. Việc này có thể dẫn đến hiệu suất kém hoặc hỏng hóc dụng cụ hay hộp pin.
17. Trừ khi dụng cụ hỗ trợ sử dụng gần đường dây điện cao thế, không sử dụng hộp pin gần đường dây điện cao thế. Việc này có thể dẫn đến trực trặc hoặc hỏng hóc dụng cụ hay hộp pin.
18. Giữ pin tránh xa trẻ em.

LƯU GIỮ CÁC HƯỚNG DẪN NÀY.

⚠ THẬN TRỌNG: Chỉ sử dụng pin Makita chính hãng. Việc sử dụng pin không chính hãng Makita, hoặc pin đã được sửa đổi, có thể dẫn đến nổ pin gây ra cháy, thương tích và thiệt hại cá nhân. Nó cũng sẽ làm mất hiệu lực bảo hành của Makita dành cho dụng cụ của Makita và bộ sạc.

Mẹo duy trì tuổi thọ tối đa cho pin

1. Sạc hộp pin trước khi pin bị xả điện hoàn toàn. Luôn dừng việc vận hành dụng cụ và sạc pin khi bạn nhận thấy công suất dụng cụ bị giảm.
2. Không được phép sạc lại một hộp pin đã được sạc đầy. Sạc quá mức sẽ làm giảm tuổi thọ của pin.
3. Sạc pin ở nhiệt độ phòng 10°C - 40°C. Để cho hộp pin nóng nguội lại dần trước khi sạc pin.
4. Khi không sử dụng hộp pin, hãy tháo hộp pin ra khỏi dụng cụ hoặc bộ sạc.
5. Sạc pin sáu tháng một lần nếu bạn không sử dụng dụng cụ trong một thời gian dài (hơn sáu tháng).

MÔ TẢ CHỨC NĂNG

⚠ THẬN TRỌNG: Luôn đảm bảo rằng đã tắt dụng cụ và tháo hộp pin ra trước khi thực hiện việc điều chỉnh hoặc kiểm tra chức năng trên dụng cụ.

⚠ THẬN TRỌNG: Cẩn thận để không vướng (các) ngón tay vào giữa máy và pin khi nạp pin. Vướng (các) ngón tay vào có thể gây ra thương tích.

Lắp hoặc tháo hộp pin

⚠ THẬN TRỌNG: Luôn tắt dụng cụ trước khi lắp hoặc tháo hộp pin.

⚠ THẬN TRỌNG: Giữ dụng cụ và hộp pin thật chắc khi lắp hoặc tháo hộp pin. Không giữ dụng cụ và hộp pin thật chắc có thể làm trượt chúng khỏi tay và làm hư hỏng dụng cụ và hộp pin hoặc gây thương tích cá nhân.

► **Hình1:** 1. Chỉ báo màu đỏ 2. Nút 3. Hộp pin

Để tháo hộp pin, vừa trượt pin ra khỏi dụng cụ vừa đẩy trượt nút ở phía trước hộp pin.

Để lắp hộp pin, đặt thẳng hàng phần chốt nhô ra của hộp pin vào phần rãnh nằm trên vỏ và trượt hộp pin vào vị trí. Đưa hộp pin vào hết mức cho đến khi chốt khóa vào đúng vị trí với một tiếng cách nhẹ. Nếu bạn có thể nhìn thấy chỉ báo màu đỏ như thể hiện trong hình, điều đó có nghĩa vẫn chưa được khóa hoàn toàn.

⚠ THẬN TRỌNG: Luôn lắp hộp pin khớp hoàn toàn vào vị trí cho đến khi không thể nhìn thấy chỉ báo màu đỏ. Nếu không, hộp pin có thể vô tình rơi ra khỏi dụng cụ, gây thương tích cho bạn hoặc người khác xung quanh.

⚠ THẬN TRỌNG: Không được dùng sức lắp hộp pin. Nếu hộp pin không nhẹ nhàng trượt vào vị trí, có nghĩa là pin vẫn chưa được lắp đúng.

Hệ thống bảo vệ dụng cụ / pin

Dụng cụ này được trang bị hệ thống bảo vệ dụng cụ / pin. Hệ thống này sẽ tự động ngắt nguồn điện đến động cơ để kéo dài tuổi thọ dụng cụ và pin.

Dụng cụ sẽ tự động dừng vận hành khi dụng cụ hoặc pin ở một trong những tình huống sau đây. Trong một số trường hợp, đèn chỉ báo sẽ sáng lên.

► **Hình2:** 1. Đèn chỉ báo

Bảo vệ quá tải

Khi vận hành dụng cụ trong điều kiện làm máy tiêu tốn dòng điện cao bất thường, dụng cụ sẽ tự động dừng lại và đèn chỉ báo sẽ sáng lên trong khoảng 60 giây. Trong trường hợp này, hãy tắt dụng cụ và ngừng ứng dụng làm cho dụng cụ trở nên quá tải. Sau đó bật dụng cụ lên để khởi động lại.

Bảo vệ quá nhiệt

Khi bị quá nhiệt, dụng cụ/pin sẽ tự động dừng, và đèn chỉ báo pin sẽ sáng lên khoảng 60 giây. Dụng cụ sẽ không khởi động ngay cả khi bạn bật dụng cụ. Trong tình huống này, hãy để pin nguội trở lại trước khi bật dụng cụ lại.

Bảo vệ xả điện quá mức

Khi dung lượng pin còn lại thấp, đèn chỉ báo sẽ nhấp nháy. Khi sử dụng tiếp nữa, dụng cụ sẽ dừng lại và đèn chỉ báo sẽ bật sáng khoảng 60 giây. Nếu bạn bật dụng cụ, động cơ vẫn tiếp tục chạy lại nhưng sẽ dừng lại ngay. Trong tình huống này, hãy sạc lại hộp pin.

LƯU Ý: Thời gian mà tại đó các đèn chỉ báo sáng lên sẽ phụ thuộc vào nhiệt độ nơi làm việc và tình trạng hộp pin.

Chỉ báo dung lượng pin còn lại

Chỉ dành cho hộp pin có đèn chỉ báo

► **Hình3:** 1. Các đèn chỉ báo 2. Nút Check (kiểm tra)

Ấn nút check (kiểm tra) trên hộp pin để chỉ báo dung lượng pin còn lại. Các đèn chỉ báo bật sáng lên trong vài giây.

Các đèn chỉ báo			Dung lượng còn lại
Bật sáng	Tắt	Nhấp nháy	
			75% đến 100%
			50% đến 75%
			25% đến 50%
			0% đến 25%
			Sạc pin.
			Pin có thể đã bị hỏng.

LƯU Ý: Tùy thuộc vào các điều kiện sử dụng và nhiệt độ xung quanh, việc chỉ báo có thể khác biệt một chút so với dung lượng thực sự.

LƯU Ý: Đèn chỉ báo (phía xa bên trái) đầu tiên sẽ nhấp nháy khi hệ thống bảo vệ pin hoạt động.

Hoạt động công tắc

► **Hình4:** 1. Nút ON (BẬT)/thay đổi tốc độ 2. Nút OFF (TẮT)

Để khởi động máy hút bụi, chỉ cần nhấn nút ON (BẬT)/thay đổi tốc độ. Để tắt, nhấn nút OFF (TẮT). Bạn có thể thay đổi tốc độ máy hút bụi trong ba bước bằng cách nhấn nút ON (BẬT)/thay đổi tốc độ. Nhấn nút này lần đầu sẽ là chế độ tốc độ cao, nhấn lần thứ hai sẽ là chế độ tốc độ tối đa và lần thứ ba là chế độ tốc độ bình thường. Mỗi lần nhấn nút này máy sẽ lặp lại chu kỳ tốc độ cao/tối đa/bình thường.

LẮP RÁP

⚠ THẬN TRỌNG: Luôn đảm bảo rằng đã tắt dụng cụ và tháo hộp pin ra trước khi thực hiện bất cứ thao tác nào trên dụng cụ.

Túi chứa bụi và bộ lọc giấy

Lắp đặt cả túi chứa bụi và bộ lọc giấy trước khi sử dụng máy hút bụi.

Sử dụng bộ phận chặn bụi khi lắp đặt túi chứa bụi và bộ lọc giấy.

Có thể sử dụng túi chứa bụi nhiều lần liên tục bằng cách vệ sinh thật sạch.

Bộ lọc giấy là loại dùng một lần. Vứt bỏ bộ lọc giấy mà không cần phải làm rỗng khi bộ lọc bị đầy.

CHÚ Ý: Để ngăn ngừa bụi rơi vào trong động cơ:

- Đảm bảo rằng túi chứa bụi hoặc bộ lọc giấy đã được lắp đặt trước khi sử dụng.
- Lắp bộ phận chặn bụi cùng với túi chứa bụi hoặc bộ lọc giấy vào hết trong khe cắm khi lắp đặt chúng.
- Không sử dụng túi bị vỡ hoặc bị rách.

Nếu không động cơ có thể bị hỏng.

CHÚ Ý: Không gấp tấm bia lúc tấm bia đang mở khi đang lắp đặt bộ lọc giấy.

CHÚ Ý: Không bao giờ vứt bộ phận chặn bụi bởi vì bộ phận này cần được sử dụng nhiều lần, bất cứ khi nào sử dụng túi chứa bụi hoặc bộ lọc giấy.

CHÚ Ý: Bộ lọc giấy cho máy hút bụi là một bộ phận quan trọng trong việc duy trì hiệu năng dụng cụ. Sử dụng bộ lọc giấy không phải hàng chính hãng có thể gây ra khói hoặc đánh lửa.

Lắp túi chứa bụi

Sử dụng bộ phận chặn bụi khi lắp đặt túi chứa bụi. Cần thận để không nhầm lẫn mặt trên với mặt dưới bởi vì chúng khác nhau.

► **Hình5:** 1. Mặt trên của bộ phận chặn bụi 2. Mặt dưới của bộ phận chặn bụi

1. Lắp phần nhô ra của túi chứa bụi vào rãnh trong bộ phận chặn bụi như thể hiện trong hình.

Không có sự phân biệt giữa mặt trên và mặt dưới của túi chứa bụi. Bạn có thể lắp phần nhô của mỗi mặt vào trong rãnh của bộ phận chặn bụi.

► **Hình6:** 1. Bộ phận chặn bụi 2. Rãnh 3. Túi chứa bụi

2. Chồng khung của bộ phận chặn bụi lên khung của túi chứa bụi.

► **Hình7**

3. Đặt bộ phận chặn bụi cùng túi chứa bụi vào trong khoang máy hút bụi theo một hướng mũi tên trên bộ phận chặn bụi. Lắp tất cả các bộ phận vào hết trong khe cắm trong khoang máy hút bụi.

► **Hình8:** 1. Khe

4. Đặt toàn bộ phần vải của túi chứa bụi vào bên trong máy hút bụi.

► **Hình9**

5. Đóng nắp hộp chứa bụi hoàn toàn.

► **Hình10:** 1. Nắp hộp chứa bụi

LƯU Ý: Khi túi chứa bụi không được lắp đặt trong khoang máy, nắp hộp chứa bụi sẽ không được đóng hoàn toàn.

Lắp đặt bộ lọc giấy

Cũng sử dụng bộ phận chặn bụi khi lắp đặt bộ lọc giấy. Cần thận để không nhầm lẫn mặt trên với mặt dưới bởi vì chúng khác nhau.

► **Hình11:** 1. Mặt trên của bộ phận chặn bụi 2. Mặt dưới của bộ phận chặn bụi

1. Không gấp đường vào của bộ lọc giấy trước khi cài đặt vào bộ phận chặn bụi.

► **Hình12**

2. Lắp phần nhô ra của bộ lọc giấy vào rãnh trong bộ phận chặn bụi như thể hiện trong hình.

Không có sự phân biệt giữa mặt trên và mặt dưới của bộ lọc giấy. Bạn có thể lắp phần nhô của mỗi mặt vào trong rãnh của bộ phận chặn bụi.

► **Hình13:** 1. Bộ phận chặn bụi 2. Rãnh 3. Bộ lọc giấy

3. Chồng khung của bộ phận chặn bụi với khung của bộ lọc giấy.

► **Hình14**

4. Đặt bộ phận chặn bụi và bộ lọc giấy cùng nhau vào trong khoang máy hút bụi theo cùng hướng mũi tên trên bộ phận chặn bụi. Lắp tất cả các bộ phận vào hết trong khe cắm trong khoang máy hút bụi.

► **Hình15:** 1. Khe

5. Đặt toàn bộ phần chứa của bộ lọc giấy vào trong dụng cụ.

► **Hình16**

6. Đóng nắp hộp chứa bụi hoàn toàn.

► **Hình17:** 1. Nắp hộp chứa bụi

LƯU Ý: Khi bộ lọc giấy không được lắp đặt trong khoang máy, nắp hộp chứa bụi sẽ không được đóng hoàn toàn.

Lắp đặt dây đeo vai

⚠ THẬN TRỌNG: Hãy cẩn thận đừng để dây đeo vai vướng vào các vật ở xung quanh bạn.

⚠ THẬN TRỌNG: Hãy cẩn thận đừng để dây đeo vai tuột khỏi vai khi sử dụng máy hút bụi. Để sử dụng máy hút bụi vững chắc, bạn nên đeo dây đeo vai chéo ở trước ngực.

Gắn các móc của dây đeo vai vào các đế của máy hút bụi như minh họa trong hình.

► **Hình18:** 1. Dây đeo vai 2. Móc treo 3. Bệ đỡ

LƯU Ý: Bạn cũng có thể gắn dây đeo vai vào túi xếp (phụ kiện tùy chọn) như minh họa.

► **Hình19:** 1. Dây đeo vai 2. Túi xếp

VẬN HÀNH

⚠ THẬN TRỌNG: Luôn giữ tay cầm khi mang máy hút bụi. Nếu như bạn cầm giữ các phụ tùng của máy, nó có thể sẽ rơi ra khỏi máy và gây thương tích cá nhân.

⚠ THẬN TRỌNG: Không sử dụng thiết bị trong khi lái xe hoặc động cơ đang chạy.

⚠ THẬN TRỌNG: Không cầm vào mối nối ống như thể hiện trong hình. Việc giữ mối nối ống có thể làm cho ngón tay của bạn bị kẹt.

► **Hình20:** 1. Mối nối ống

Sử dụng làm máy hút bụi cầm tay hoạt động bằng cơ điện

LƯU Ý: Tháo phụ tùng máy thổi bên trong máy trước khi hút bụi. Nếu gắn phụ tùng máy thổi vào trong máy hút bụi, thì lực hút sẽ bị giảm đi.

Lắp hoặc tháo phụ tùng máy hút bụi

Để nối các phụ tùng như vòi hút, vận và lắp thật chắc vào ống dẫn. Để tháo ra, hãy vận và rút ra.

Cách lắp đặt sẽ khác nhau tùy thuộc vào vòi hút như minh họa.

► **Hình21:** 1. Ống dẫn 2. Vòi phun cao su 3. Bàn chải mềm 4. Vòi phun ở đế 5. Vòi phun có đệm lót

Hút bụi

Vòi phun cao su

Vòi phun này thuận tiện cho việc làm sạch các góc cạnh của mặt ghế như túi cửa. Vòi phun cao su nhẹ nhàng làm sạch bề mặt.

► **Hình22:** 1. Vòi phun cao su

Bàn chải mềm

Vòi phun này thuận tiện cho việc làm sạch lỗ thông hơi điều hòa không khí, bảng điều khiển, v.v... Có thể xoay đầu bàn chải mềm sang góc bên phải.

► **Hình23:** 1. Bàn chải mềm

Vòi phun ở đế

Vòi phun này có bàn chải bằng vải để làm sạch bề mặt ghế ngồi. Bàn chải quét cạnh của vòi phun được sử dụng để lấy bụi bẩn từ đường nối.

► **Hình24:** 1. Vòi phun ở đế 2. Bàn chải quét cạnh

Vòi phun có đệm lót

Vòi phun này được sử dụng để làm sạch thảm sàn và thảm. Các răng cưa trên vòi phun giúp làm sạch các hạt cát.

► **Hình25:** 1. Vòi phun có đệm lót

CHÚ Ý: Luôn sử dụng vòi phun có đệm lót để làm sạch đệm. Sử dụng vòi phun có đệm lót cho các vật liệu khác có thể cào xước bề mặt của vật liệu đó.

Vệ sinh mà không có vòi hút

Bạn có thể thực hiện vệ sinh mà không cần vòi hút.

► **Hình26**

Thải bụi

⚠ THẬN TRỌNG: Đổ hết bụi trong túi chứa bụi hoặc thay bộ lọc giấy trước khi nó đầy. Nếu không, lực hút/thổi sẽ bị yếu đi.

⚠ THẬN TRỌNG: Hãy cẩn thận đừng để ngón tay bị kẹp khi đóng nắp hộp chứa bụi.

CHÚ Ý: Không được vứt bộ phận chặn bụi bởi vì bộ phận này nên được sử dụng cùng với túi chứa bụi hoặc bộ lọc giấy.

CHÚ Ý: Khi túi chứa bụi/bộ lọc giấy không được lắp đặt trong khoang máy, nắp hộp chứa bụi sẽ không được đóng hoàn toàn. Không cố dùng lực để đóng nắp hộp chứa bụi. Việc này có thể sẽ khiến dụng cụ bị biến dạng hoặc bị hỏng.

CHÚ Ý: Bạn cần phải làm sạch buồng cho túi chứa bụi/bộ lọc giấy khi thải bỏ bụi. Khi bụi bẩn còn sót lại trong buồng cũng có thể khiến cho bộ lọc bọt biển bị kẹt hoặc động cơ bị hư hỏng.

1. Mở nắp hộp chứa bụi.

► **Hình27:** 1. Nắp hộp chứa bụi

2. Kéo cả bộ phận chặn bụi màu cam lẫn túi chứa bụi/bộ lọc giấy ra ngoài cùng một lúc.

► **Hình28:** 1. Bộ phận chặn bụi

3. Khi sử dụng túi chứa bụi,

Tháo bộ phận chặn bụi và vứt bỏ túi chứa bụi.

► **Hình29:** 1. Bộ phận chặn bụi 2. Túi chứa bụi

Khi sử dụng túi chứa bụi,

Tháo bộ phận chặn bụi và vứt bỏ bộ lọc giấy.

► **Hình30:** 1. Bộ phận chặn bụi 2. Bộ lọc giấy

4. Đặt túi chứa bụi/bộ lọc giấy mới và bộ phận chặn bụi vào trong khoang máy hút bụi và đóng nắp hộp chứa bụi.

Sử dụng làm máy thổi cầm tay hoạt động bằng động cơ điện

⚠ THẬN TRỌNG: Không hướng vòi phun về phía bất kỳ ai ở gần.

⚠ THẬN TRỌNG: Để tránh hít phải bụi, chúng tôi khuyến nghị nên mở cửa sổ, đồng thời đeo kính bảo hộ và mặt nạ trong khi vận hành.

⚠ THẬN TRỌNG: Không kéo phụ tùng máy thổi. Phụ tùng máy thổi có thể rơi khỏi máy hút bụi.

⚠ THẬN TRỌNG: Không dùng dụng cụ để thổi không khí vào các vật thể, như bề cao su, bóng hoặc các sản phẩm bơm hơi khác. Tăng số vòng quay của động cơ có thể làm gãy cánh quạt gây nguy hiểm.

⚠ THẬN TRỌNG: Không bao giờ được chặn ngõ vào đầu hút và/hoặc ngõ ra máy thổi. Hãy cẩn thận không để bụi hoặc bụi bẩn chặn ngõ vào đầu hút hoặc ngõ ra máy thổi khi vận hành ở khu vực bụi bặm.

⚠ THẬN TRỌNG: Không sử dụng vòi phun nào khác ngoài vòi phun được Makita cung cấp.

Lắp hoặc tháo phụ tùng máy thổi

Để gắn phụ tùng máy thổi, căn chỉnh phần nhô ra của cổng máy thổi với rãnh trên lỗ thông hơi, sau đó đẩy vào cho đến kêu cách.

► **Hình31:** 1. Phụ tùng máy thổi

Để tháo phụ tùng máy thổi, kéo công xuống trong khi nhấn phần đầu như hình minh họa.

► **Hình32**

Thổi gió

Hướng đầu quạt đến đối tượng cần thổi bay và bật dụng cụ.

► **Hình33**

BẢO TRÌ

⚠ THẬN TRỌNG: Hãy luôn chắc chắn rằng dụng cụ đã được tắt và hộp pin đã được tháo ra trước khi cố gắng thực hiện việc kiểm tra hay bảo dưỡng.

CHÚ Ý: Không được phép dùng xăng, ết xăng, dung môi, cồn hoặc hóa chất tương tự. Có thể xảy ra hiện tượng mất màu, biến dạng hoặc nứt vỡ.

Để đảm bảo ĐỘ AN TOÀN và ĐỘ TIN CẬY của sản phẩm, việc sửa chữa hoặc bất cứ thao tác bảo trì, điều chỉnh nào đều phải được thực hiện bởi các Trung tâm Dịch vụ Nhà máy hoặc Trung tâm được Makita Ủy quyền và luôn sử dụng các phụ tùng thiết bị thay thế của Makita.

Vệ sinh

Thỉnh thoảng lau sạch bên ngoài (thân máy hút bụi) bằng vải đã làm ẩm bằng nước xà phòng. Vệ sinh cả miệng hút, khu vực gắn túi chứa bụi/bộ lọc giấy và bộ phận chặn bụi.

► **Hình34**

Rửa túi chứa bụi bằng nước xà phòng khi bị tắc nghẽn do bụi và lực máy hút bụi bị yếu đi. Làm khô hoàn toàn trước khi sử dụng. Một bộ lọc chưa khô có thể làm giảm lực hút và rút ngắn tuổi thọ của động cơ.

► **Hình35**

LƯU Ý: Bộ lọc giấy là loại dùng một lần.

Khi bộ lọc bọt biển bị tắc nghẽn do bụi, tháo nó ra khỏi máy hút bụi và chùi sạch hoặc rửa bằng nước.

Tháo và lắp đặt bộ lọc bọt biển

⚠ THẬN TRỌNG: Sau khi làm sạch bộ lọc bọt biển, đảm bảo đã lắp nó vào máy hút bụi. Nếu rửa bằng nước, làm khô bộ lọc trước khi lắp vào. Bộ lọc bọt biển chưa khô có thể làm giảm tuổi thọ của động cơ.

Để tháo bộ lọc bọt biển, tháo túi chứa bụi hoặc bộ lọc giấy rời sau đó kẹp chặt để lấy nó ra.

► **Hình36:** 1. Bộ lọc bọt biển

Nhấn toàn bộ phần mép của bộ lọc bọt biển vào rãnh trên tường bên trong khu vực gắn túi chứa bụi/bộ lọc bằng giấy.

► **Hình37:** 1. Rãnh trên tường

Cất giữ

⚠ CẢNH BÁO: Không để hộp pin và bộ sạc trong xe. Nhiệt độ bên trong xe ở dưới ánh sáng mặt trời có thể vượt quá 50 °C (122 °F). Do đó nó có thể làm cho hộp pin bị hỏng và dẫn đến phóng điện, bốc khói hoặc hỏa hoạn.

► **Hình38**

⚠ CẢNH BÁO: Không bao giờ sử dụng bộ sạc khi đang cất giữ trong túi bảo quản. Việc chặn lỗ thông hơi có thể dẫn đến bốc khói hoặc hỏa hoạn.

► **Hình39**

⚠ CẢNH BÁO: Không sạc pin cho hộp pin với bộ biến tần trên xe. Nó có thể gây ra nhiệt độ bất thường và dẫn đến hỏa hoạn.

⚠ CẢNH BÁO: Không sạc hộp pin trong xe. Nếu hộp pin tiếp xúc với nhiệt độ trong khoảng 10 °C (50 °F) - 40 °C (104 °F), có thể tạo ra nhiệt và/hoặc cháy hoặc phát nổ.

⚠ THẬN TRỌNG: Luôn cất giữ ống như minh họa để tránh bị vấp ngã, khi không sử dụng máy hút bụi. Ống không cuộn vào có thể sẽ làm móc vào chân và gây thương tích cá nhân.

► **Hình40:** 1. Móc treo 2. Ống dẫn

Xử lý sự cố

Trước khi yêu cầu sửa chữa, kiểm tra những điểm sau.

Hiện tượng	Khu vực cần kiểm tra	Phương pháp sửa
Lực hút yếu	Túi chứa bụi hoặc bộ lọc giấy có đầy bụi không?	Túi chứa bụi hoặc bộ lọc giấy rỗng.
	Túi chứa bụi bị tắc nghẽn phải không?	Phủ bụi hay là rửa túi chứa bụi.
	Bộ lọc giấy bị tắc nghẽn phải không?	Thay thế bộ lọc giấy.
	Có phải hộp pin đã được tháo không?	Sạc pin cho hộp pin.
Không hoạt động	Có phải hộp pin đã được tháo không?	Sạc pin cho hộp pin.
Không đóng nắp hộp chứa bụi	Túi chứa bụi hoặc bộ lọc giấy có được đặt không?	Đặt túi chứa bụi hoặc bộ lọc giấy.

CHÚ Ý: Không được tự mình cố sửa chữa máy hút bụi.

PHỤ KIỆN TỰ CHỌN

⚠ THẬN TRỌNG: Các phụ kiện hoặc phụ tùng gắn thêm này được khuyến cáo sử dụng với dụng cụ Makita của bạn theo như quy định trong hướng dẫn này. Việc sử dụng bất cứ phụ kiện hoặc phụ tùng gắn thêm nào khác đều có thể gây ra rủi ro thương tích cho người. Chỉ sử dụng phụ kiện hoặc phụ tùng gắn thêm cho mục đích đã quy định sẵn của chúng.

Nếu bạn cần bất kỳ sự hỗ trợ nào để biết thêm chi tiết về các phụ tùng này, hãy hỏi Trung tâm Dịch vụ của Makita tại địa phương của bạn.

- Ống nối nối dài (Ống thẳng)
- Vòi xả
- Vòi hút dành cho thảm
- Bàn chải dẹt
- Vòi hút góc
- Bàn chải tròn
- Ống mềm
- Bộ lọc giấy
- Vòi rời
- Vòi phun ở đế
- Đầu hút khe
- Phụ tùng đầu hút xoáy
- Túi chứa bụi
- Túi chứa bụi hiệu suất cao
- Túi xốp
- Pin và bộ sạc chính hãng của Makita

LƯU Ý: Một số mục trong danh sách có thể được bao gồm trong gói dụng cụ làm phụ kiện tiêu chuẩn. Các mục này ở mỗi quốc gia có thể khác nhau.

คำเตือน

- เด็กอายุตั้งแต่ 8 ปีขึ้นไป หรือบุคคลที่มีลักษณะทุพพลภาพ มีปัญหาในเรื่องของสภาพจิต หรือขาดประสบการณ์และความรู้เกี่ยวกับการใช้งาน สามารถใช้งานเครื่องมือนี้ได้ หากได้รับคำแนะนำการใช้งานอย่างปลอดภัยและเข้าใจถึงอันตรายที่อาจเกิดขึ้น
- ไม่ควรให้เด็กเล่นกับเครื่องมือนี้ ไม่ควรให้เด็กทำความสะอาดและซ่อมบำรุงตามลำพังโดยไม่มีผู้ดูแล
- โปรดอ้างอิงบท “ข้อมูลจำเพาะ” สำหรับอ้างอิงประเภทแบตเตอรี่
- โปรดอ้างอิงส่วน “การติดตั้งหรือการถอดกลับแบตเตอรี่” สำหรับวิธีถอดหรือติดตั้งแบตเตอรี่
- เมื่อกำจัดกลับแบตเตอรี่ ให้ถอดกลับแบตเตอรี่ออกจากเครื่องมือและกำจัดในสถานที่ที่ปลอดภัย ปฏิบัติตามข้อบังคับเกี่ยวกับการกำจัดแบตเตอรี่ที่บังคับใช้ในท้องถิ่น
- หากไม่ใช้เครื่องมือเป็นระยะเวลานาน จะต้องถอดแบตเตอรี่ออกจากเครื่องมือ
- อย่าลัดวงจรกลับแบตเตอรี่
- โปรดอ้างอิงบท “การบำรุงรักษา” สำหรับรายละเอียดข้อควรระวังในระหว่างการซ่อมบำรุง

ข้อมูลจำเพาะ

รุ่น:	DCL184	
ความจุ	มีดงเก็บฝุ่น	500 mL
	มีกระดาดากรอง	330 mL
ใช้งานต่อเนื่อง (พร้อมแบตเตอรี่ BL1830B)	1 (โหมดความเร็วปกติ)	ประมาณ 80 min
	2 (โหมดความเร็วสูง)	ประมาณ 30 min
	3 (โหมดความเร็วสูงสุด)	ประมาณ 20 min
ความยาวโดยรวม (รวมแบตเตอรี่ BL1830B)	365 mm	
แรงดันไฟฟ้าสูงสุด	D.C. 18 V	
น้ำหนักสุทธิ	1.8 - 2.2 kg	

- เนื่องจากการค้นคว้าวิจัยและพัฒนาอย่างต่อเนื่อง ข้อมูลจำเพาะในเอกสารฉบับนี้อาจเปลี่ยนแปลงได้โดยไม่ต้องแจ้งให้ทราบล่วงหน้า
- ข้อมูลจำเพาะอาจแตกต่างกันไปในแต่ละประเทศ
- น้ำหนักไม่รวมอุปกรณ์เสริมยกเว้นกลับแบตเตอรี่ น้ำหนักของเครื่องใช้และกลับแบตเตอรี่รวมกันที่น้อยที่สุดและมากที่สุดแสดงอยู่ในตาราง

กลับแบตเตอรี่และเครื่องชาร์จที่ใช้ได้

กลับแบตเตอรี่	BL1815N / BL1820B / BL1830B / BL1840B / BL1850B / BL1860B
เครื่องชาร์จ	DC18RC / DC18RD / DC18RE / DC18SD / DC18SE / DC18SF / DC18SH

- กลับแบตเตอรี่และเครื่องชาร์จบางรายการที่แสดงอยู่ด้านบนอาจไม่มีวางจำหน่ายขึ้นอยู่กับภูมิภาคที่คุณอาศัยอยู่

คำเตือน: ใช้ตัวแบตเตอรี่และเครื่องชาร์จที่ระบุไว้ข้างบนเท่านั้น การใช้ตัวแบตเตอรี่และเครื่องชาร์จประเภทอื่นอาจก่อให้เกิดความเสี่ยงที่จะได้รับบาดเจ็บและ/หรือเกิดไฟไหม้

สัญลักษณ์

ต่อไปนี้เป็นสัญลักษณ์ที่อาจใช้สำหรับอุปกรณ์ โปรดศึกษาความหมายของสัญลักษณ์ให้เข้าใจก่อนการใช้งาน



อ่านคู่มือการใช้งาน



Ni-MH
Li-ion

สำหรับประเทศในสหภาพยุโรปเท่านั้น เนื่องจากในอุปกรณ์มีส่วนประกอบอันตราย ชยะจำพวกอุปกรณ์ไฟฟ้าและอิเล็กทรอนิกส์ แบตเตอรี่ และหม้อแบตเตอรี่จึงอาจส่งผลกระทบต่อสิ่งแวดล้อมและสุขภาพของมนุษย์ในเชิงลบ

อย่าทิ้งเครื่องใช้ไฟฟ้าและอิเล็กทรอนิกส์หรือแบตเตอรี่รวมกับวัสดุเหลือทิ้งในครัวเรือน!

เพื่อให้เป็นไปตามกฎระเบียบของยุโรปว่าด้วยชยะจำพวกอุปกรณ์ไฟฟ้าและอิเล็กทรอนิกส์ และหม้อสะสมไฟฟ้าและแบตเตอรี่ รวมถึงการบังคับใช้ตามกฎหมายภายในประเทศ ควรมีการจัดเก็บชยะจำพวกอุปกรณ์ไฟฟ้า แบตเตอรี่ และหม้อสะสมไฟฟ้าแยกต่างหากและส่งไปยังจุดรับชยะต่างหากในเขตเทศบาลซึ่งมีการดำเนินการตามระเบียบว่าด้วยการดูแลสิ่งแวดล้อม

โดยระบุด้วยสัญลักษณ์เส้นคาดขวางรูปถังชยะแบบมีล้อไว้บนอุปกรณ์

จุดประสงค์การใช้งาน

เครื่องมือนี้ใช้สำหรับทำความสะอาดฝุ่น ผง ที่แห้งเท่านั้น

คำเตือนด้านความปลอดภัย

คำเตือนด้านความปลอดภัยของเครื่องดูดฝุ่นไร้สาย

คำเตือน: ข้อควรจำ โปรดอ่านคำเตือนด้านความปลอดภัยและคำแนะนำทั้งหมดอย่างละเอียดก่อนใช้งาน การไม่ปฏิบัติตามคำเตือนและคำแนะนำดังกล่าวอาจส่งผลให้ไฟฟ้าช็อต ไฟไหม้ และ/หรือได้รับบาดเจ็บร้ายแรง

- ห้ามโดนฝน เก็บในที่ร่ม
- ห้ามใช้เป็นของเล่น หากผู้ใช้งานเป็นเด็ก หรือนำไปใช้งานใกล้เด็กต้องได้รับการเอาใจใส่อย่างใกล้ชิด
- ใช้เฉพาะตามที่ได้ระบุไว้ในคู่มือการใช้งานฉบับนี้เท่านั้น ใช้งานตามเอกสารแนบที่ได้รับการแนะนำโดยผู้ผลิตเท่านั้น
- ห้ามใช้แบตเตอรี่ที่เสียหาย หากเครื่องใช้ทำงานได้ไม่ต่ออย่างที่ควรจะเป็น ทำให้อายุสั้น เสียหาย ทิ้งไว้กลางแจ้ง หรือหล่นลงน้ำ ให้นำส่งศูนย์บริการ
- ห้ามจับหรือสัมผัสเครื่องใช้ด้วยมือที่เปียก
- ห้ามใส่วัตถุใดๆ ลงในช่อง ห้ามใช้งานขณะมีสิ่งอุดตัน ควรทำให้โล่งเพื่อที่จะได้ดูดฝุ่น ผง เส้นขน และอย่าให้มีสิ่งต่างๆ อื่นอาจทำให้อัตราการไหลของอากาศลดลง
- โปรดระวัง ให้เก็บเส้นผม ขน เสื้อผ้าที่หลวม นิ้วมือ ตลอดจนอวัยวะต่างๆ อยู่ห่างจากช่องและชิ้นส่วนที่มีการเคลื่อนที่
- ปิดการควบคุมทั้งหมดก่อนที่จะถอดแบตเตอรี่
- ใช้งานอย่างระมัดระวังให้มากขณะทำความสะอาดบันได
- ห้ามใช้เครื่องใช้ในการหยิบหรือรับของเหลวที่สามารถก่อให้เกิดเปลวไฟหรือการเผาไหม้ได้ เช่น แก๊สโซลีน หรือ แม้แต่ในบริเวณอันอาจมีของเหลวดังกล่าวอยู่
- ในการชาร์จไฟ ให้ใช้เครื่องชาร์จจากผู้ผลิตเท่านั้น
- ห้ามใช้เครื่องใช้ในการหยิบหรือรับของที่กำลังเผาไหม้หรือมีควัน เช่น บุหรี่ ไม้ขีดไฟ หรือเก้าอี้ที่ร้อนอยู่
- ห้ามใช้งานหากไม่ได้ใส่ถุงเก็บฝุ่น และ/หรือตัวกรองไว้
- ห้ามชาร์จไฟนอกบ้าน หรือกลางแจ้ง
- ชาร์จไฟใหม่ด้วยเครื่องชาร์จที่ระบุโดยผู้ผลิตเท่านั้น เครื่องชาร์จที่เหมาะสมสำหรับชุดแบตเตอรี่ประเภทนี้อาจเสี่ยงที่จะเกิดไฟไหม้หากนำไปใช้กับชุดแบตเตอรี่อีกประเภทหนึ่ง
- ใช้เครื่องมือไฟฟ้ากับชุดแบตเตอรี่ที่กำหนดโดยเฉพาะเท่านั้น การใช้ชุดแบตเตอรี่ประเภทอื่นอาจทำให้เสี่ยงที่จะได้รับบาดเจ็บและเกิดไฟไหม้
- เมื่อไม่ใช้งานชุดแบตเตอรี่ ให้เก็บห่างจากวัตถุที่เป็นโลหะอื่นๆ เช่น คลิปหนีบกระดาษ เหรียญ กุญแจ กรรไกรตัดเล็บ สกรู หรือวัตถุที่เป็นโลหะขนาดเล็กอื่นๆ ที่สามารถเชื่อมต่อกับขั้วหนึ่งกับอีกขั้วหนึ่งได้

18. ในกรณีที่ใช้จานไม่ถูกต้อง อาจมีของเหลวไหลออกจากแปดเตอรี ให้หลีกเลี่ยงการสัมผัส หากสัมผัสผิวดินของเหลวโดยไม่ตั้งใจ ให้ล้างออกด้วยน้ำ
19. ห้ามใช้ชุดแปดเตอรีหรือเครื่องมือที่ชำรุดหรือมีการแก้ไข แปดเตอรีที่เสียหายหรือมีการแก้ไขอาจทำให้เกิดสิ่งที่ไม่ถึงได้ เช่น ไฟไหม้ ระเบิด หรือเสียงต่อการบาดเจ็บ
20. ห้ามใช้ชุดแปดเตอรีอยู่ใกล้ไฟ หรือบริเวณที่มีอุณหภูมิสูงเกิน หากโดนไฟ หรืออุณหภูมิสูงเกิน 130 °C อาจก่อให้เกิดการระเบิดได้
21. กรุณาปฏิบัติตามคำแนะนำสำหรับการชาร์จไฟ และห้ามชาร์จแปดเตอรีหรือเครื่องมือในบริเวณที่มีอุณหภูมิบนนอกเหนือไปจากที่ระบุในคำแนะนำ การชาร์จไฟที่ไม่เหมาะสม หรืออุณหภูมิบนนอกเหนือไปจากช่วงอุณหภูมิที่ระบุในคำแนะนำอาจทำให้แปดเตอรีเสียหายและเป็นการเพิ่มความเสี่ยงในการเกิดไฟไหม้

ปฏิบัติตามคำแนะนำเหล่านี้

กฎด้านความปลอดภัยเพิ่มเติม

เครื่องใช้สำหรับใช้ในครัวเรือนเท่านั้น

1. ก่อนการใช้งานกรุณาอ่านคู่มือการใช้งานและคู่มือการใช้งานเครื่องชาร์จไฟอย่างละเอียด
2. ห้ามใช้หีบ หรือรับสิ่งของดังต่อไปนี้:
 - วัตถุร้อน เช่น บุหรี่ที่มีไฟติดอยู่ หรือประกายไฟ/ละอองโลหะที่เกิดจากการขัด/การตัดโลหะ
 - วัตถุไวไฟ เช่น แก๊สโซลีน ทินเนอร์ น้ำมันเบนซิน คีโรซีน หรือ สี
 - วัตถุระเบิด เช่น ไนโตรกลีเซอรีน
 - วัตถุที่สามารถติดไฟได้ เช่น อะลูมิเนียม สังกะสีแมกนีเซียม โทเทเนียม ฟอสฟอรัส หรือ เซลลูลอยด์
 - สิ่งสกปรกและเปียก น้ำ น้ำมัน และอื่น ๆ ในลักษณะเดียวกันนี้
 - ของแข็งที่มีสันคม เช่น เศษไม้ โลหะ หิน เศษแก้ว ตะปู เข็มหรือใบมีดโกน
 - ผงที่สามารถจับตัวเป็นก้อนได้ เช่น ซีเมนต์ หรือผงหมึก
 - ผงฝุ่นที่สามารถนำไฟฟ้าได้ เช่น โลหะ หรือคาร์บอน
 - ฝุ่นละเอียด เช่น ฝุ่นคอนกรีต
 หากทำเช่นนั้น อาจก่อให้เกิดไฟไหม้ การบาดเจ็บและ/หรือความเสียหายต่อทรัพย์สิน
3. หยุดทำงานทันทีหากคุณพบว่า มีสิ่งผิดปกติ

4. หากเครื่องดูดฝุ่นนี้ตกลงหรือมีการกระทบกระแทก กรุณาตรวจสอบว่ามีการแตกเสียหายอย่างละเอียด ก่อนการใช้งาน
5. ห้ามนำไปใกล้เตาไฟ หรือแหล่งความร้อน
6. ห้ามอุดช่องทางเข้า หรือช่องลม

ปฏิบัติตามคำแนะนำเหล่านี้

คำแนะนำเพื่อความปลอดภัยที่สำคัญสำหรับดัลลิบแปดเตอรี

1. ก่อนใช้งานดัลลิบแปดเตอรี ให้อ่านคำแนะนำและเครื่องหมายเตือนทั้งหมดบน (1) เครื่องชาร์จแปดเตอรี (2) แปดเตอรี และ (3) ตัวผลิตภัณฑ์ที่ใช้แปดเตอรี
2. อย่าถอดแยกชิ้นส่วนหรือทำการดัดแปลงดัลลิบแปดเตอรี เนื่องจากอาจทำให้เกิดไฟไหม้ ความร้อนที่สูงเกินไป หรือระเบิดได้
3. หากระยะเวลาที่เครื่องทำงานสั้นเกินไป ให้หยุดใช้งานทันที เนื่องจากอาจมีความเสี่ยงที่จะร้อนจัด โหมหรือระเบิดได้
4. หากสารละลายอิเล็กโทรไลต์กระเด็นเข้าตา ให้ล้างออกด้วยน้ำเปล่าและรีบไปพบแพทย์ทันที เนื่องจากอาจทำให้ตาบอด
5. ห้ามลัดวงจรดัลลิบแปดเตอรี:
 - (1) ห้ามแตะขั้วกับวัตถุที่เป็นสื่อนำไฟฟ้าใดๆ
 - (2) หลีกเลี่ยงการเก็บดัลลิบแปดเตอรีไว้ในภาชนะร่วมกับวัตถุที่เป็นโลหะ เช่น กรรไกรตัดเล็บ เหรียญ ฯลฯ
 - (3) อย่าให้ดัลลิบแปดเตอรีถูกน้ำหรือฝน แปดเตอรีลัดวงจรอาจทำให้เกิดการไหลของกระแสไฟฟ้า ร้อนจัด โหมหรือเสียหายได้
6. ห้ามเก็บและใช้เครื่องมือและดัลลิบแปดเตอรีไว้ในสถานที่ที่มีอุณหภูมิสูงถึงหรือเกิน 50 °C (122 °F)
7. ห้ามเผาดัลลิบแปดเตอรีทิ้ง แม้ว่าแปดเตอรีจะเสียหายจนใช้การไม่ได้หรือเสื่อมสภาพแล้ว ดัลลิบแปดเตอรีอาจจะระเบิดในกองไฟ
8. อย่าถอดตะปู ตัด บด ขั้วง หรือทำดัลลิบแปดเตอรีหล่นพื้น หรือกระทบดัลลิบแปดเตอรีกับวัตถุของแข็ง การกระทำดังกล่าวอาจส่งผลให้เกิดไฟไหม้ ความร้อนที่สูงเกินไป หรือระเบิดได้
9. ห้ามใช้แปดเตอรีที่เสียหาย

10. แบตเตอรี่ลิเทียมไอออนที่มีมาให้เห็นเป็นไปตามข้อกำหนดของ Dangerous Goods Legislation สำหรับการขนส่งเพื่อการพาณิชย์ เช่น โดยบุคคลที่สาม ตัวแทนขนส่งสินค้า จะต้องตรวจสอบข้อกำหนดพิเศษในด้านความปลอดภัยหรือการติดป้ายสินค้าในการเตรียมสินค้าที่จะขนส่ง ให้ปรึกษาผู้เชี่ยวชาญด้านวัตถุอันตราย โปรดตรวจสอบข้อกำหนดในประเทศที่อาจมีรายละเอียดอื่นๆ เพิ่มเติม ให้ติดเทปหรือปิดหน้าสัมผัสและห่อแบตเตอรี่ในลักษณะที่แบตเตอรี่จะไม่เคลื่อนที่ไปมาในหีบห่อ
11. เมื่อกำจัดดัดแบตเตอรี่ ให้ถอดดัดแบตเตอรี่ออกจากเครื่องมือและกำจัดในสถานที่ที่ปลอดภัย ปฏิบัติตามข้อบังคับในท้องถิ่นที่เกี่ยวข้องกับการกำจัดแบตเตอรี่
12. ใช้แบตเตอรี่กับผลิตภัณฑ์ที่ระบุโดย Makita เท่านั้น การติดตั้งแบตเตอรี่ในผลิตภัณฑ์ที่ไม่ใช่ตามที่ระบุอาจทำให้เกิดไฟไหม้ ความร้อนสูง ระเบิด หรืออิเล็กทรอนิกส์รั่วไหลได้
13. หากไม่ใช้เครื่องมือเป็นระยะเวลานาน จะต้องถอดแบตเตอรี่ออกจากเครื่องมือ
14. ในระหว่างและหลังการใช้งาน ดัดแบตเตอรี่อาจร้อนซึ่งอาจลวกผิวหรือทำให้ผิวไหม้ที่อุณหภูมิต่ำได้ โปรดระมัดระวังในการจัดการกับแบตเตอรี่ที่ร้อน
15. อย่าสัมผัสขั้วของเครื่องมือทันทีหลังจากการใช้งาน เนื่องจากอาจมีความร้อนพอที่จะทำให้ผิวไหม้ได้
16. อย่าปล่อยให้เศษวัสดุ ผุ่นผง หรือดินเข้าไปติดอยู่ในขั้ว รู และร่องของดัดแบตเตอรี่ เนื่องจากอาจทำให้เครื่องมือหรือดัดแบตเตอรี่มีประสิทธิภาพลดลงหรือเสียหายได้
17. หากเครื่องมือไม่รองรับสายไฟแรงดันสูง อย่าใช้ดัดแบตเตอรี่ใกล้กับสายไฟแรงดันสูง เนื่องจากเครื่องมือหรือดัดแบตเตอรี่อาจทำงานผิดปกติหรือเสียหายได้
18. เก็บแบตเตอรี่ให้ห่างจากเด็ก

ปฏิบัติตามคำแนะนำเหล่านี้

⚠ ข้อควรระวัง: ใช้แบตเตอรี่ของแท้จาก Makita เท่านั้น การใส่แบตเตอรี่ Makita ที่ไม่แท้ หรือแบตเตอรี่ที่ถูกเปลี่ยน อาจทำให้แบตเตอรี่ระเบิด ก่อให้เกิดเพลิงลุกไหม้ การบาดเจ็บ และความเสียหายได้ และจะทำให้การรับประกันของ Makita สำหรับเครื่องมือและแท่นชาร์จของ Makita เป็นโมฆะด้วย

เคล็ดลับในการรักษาอายุการใช้งานของ

แบตเตอรี่ให้ยาวนานที่สุด

1. ชาร์จดัดแบตเตอรี่ก่อนที่ไฟจะหมด หยุดการใช้งานแล้วชาร์จประจุไฟฟ้าใหม่ทุกครั้งเมื่อคุณรู้สึกว่าคุณปรารถนีกำลังลดลง
2. อย่าชาร์จดัดแบตเตอรี่ที่มีไฟเต็มแล้ว การชาร์จประจุไฟฟ้ามากเกินไปอาจจะทำให้อายุการใช้งานของดัดแบตเตอรี่สั้นลง
3. ชาร์จประจุไฟฟ้าดัดแบตเตอรี่ในห้องที่มีอุณหภูมิระหว่าง 10 °C - 40 °C ปล่อยให้ดัดแบตเตอรี่เย็นลงก่อนที่จะชาร์จไฟ
4. เมื่อไม่ใช้ดัดแบตเตอรี่ ให้ถอดออกจากเครื่องมือหรือเครื่องชาร์จ
5. ชาร์จไฟดัดแบตเตอรี่หากคุณไม่ต้องการใช้เป็นเวลานาน (เกินกว่าหกเดือน)

คำอธิบายการทำงาน

⚠ ข้อควรระวัง: ตรวจสอบให้แน่ใจว่าได้ปิดสวิตช์เครื่องมือและถอดดัดแบตเตอรี่ออกก่อนปรับตั้งหรือตรวจสอบการทำงานของเครื่องมือ

⚠ ข้อควรระวัง: ดูแลอย่าให้นิ้วเข้าไปติดระหว่างเครื่องดูดฝุ่นและแบตเตอรี่เมื่อใส่แบตเตอรี่ หากนิ้วเข้าไปติดอาจทำให้ได้รับบาดเจ็บได้

การใส่หรือการถอดดัดแบตเตอรี่

⚠ ข้อควรระวัง: ปิดสวิตช์เครื่องมือก่อนทำการติดตั้งหรือการถอดดัดแบตเตอรี่ทุกครั้ง

⚠ ข้อควรระวัง: ถอดเครื่องมือและดัดแบตเตอรี่ให้แน่นในระหว่างการติดตั้งหรือการถอดดัดแบตเตอรี่ หากไม่ถอดเครื่องมือและดัดแบตเตอรี่ให้แน่น อาจทำให้ดัดแบตเตอรี่และเครื่องมือสั้นหลุดมือ และทำให้เครื่องมือและดัดแบตเตอรี่เสียหายหรือได้รับบาดเจ็บได้

► หมายเลข 1: 1. ชีลส์แดง 2. ปุ่ม 3. ดัดแบตเตอรี่

เมื่อต้องการถอดดัดแบตเตอรี่ ให้เลื่อนปุ่มที่ด้านหน้าของดัดแล้วดึงออกจากเครื่องมือ

การติดตั้งดัดแบตเตอรี่ ให้จัดตำแหน่งลิ้นของดัดแบตเตอรี่ให้ตรงกับร่องของเครื่อง แล้วเลื่อนเข้าไปใส่ดัดแบตเตอรี่เข้าจนสุดจนกระทั่งได้ยินเสียงคลิกล็อกเข้าที่ หากยังเห็นชีลส์แดงตามที่แสดงในภาพ แสดงว่าดัดแบตเตอรี่ยังไม่ล็อกเข้าที่

⚠️ ข้อควรระวัง: ให้ดันดัลป์แบตเตอรี่เข้าจนสุดจนไม่เห็นขีลสีแดงอีก ไม่เช่นนั้น ดัลป์แบตเตอรี่อาจหลุดออกจากเครื่องมือทำให้คุณหรือคนรอบข้างได้รับบาดเจ็บ

⚠️ ข้อควรระวัง: อย่าฝืนติดตั้งดัลป์แบตเตอรี่โดยใช้แรงมากเกินไป หากดัลป์แบตเตอรี่ไม่เลื่อนเข้าไปโดยง่าย แสดงว่าใส่ไม่ถูกต้อง

ระบบป้องกันเครื่องมือ/แบตเตอรี่

เครื่องมือนี้มียระบบป้องกันเครื่องมือ/แบตเตอรี่ ระบบนี้จะตัดไฟที่ส่งไปยังมอเตอร์โดยอัตโนมัติเพื่อยืดอายุการใช้งานเครื่องมือและแบตเตอรี่

เครื่องมือจะหยุดทำงานระหว่างการใช้งานโดยอัตโนมัติ หากเครื่องมือหรือแบตเตอรี่อยู่ภายใต้สภาวะต่อไปนี้ ในบางสภาวะ ไฟแสดงสถานะอาจสว่างขึ้น

▶ **หมายเลข 2:** 1. ไฟแสดงสถานะ

การป้องกันโอเวอร์โหลด

เมื่อเครื่องมือทำงานในลักษณะที่จะทำให้ใช้กระแสไฟฟ้าสูงผิดปกติ เครื่องมือจะหยุดทำงานโดยอัตโนมัติ และไฟแสดงสถานะจะสว่างขึ้นเป็นเวลาประมาณ 60 วินาที ในสถานการณ์เช่นนี้ ให้ปิดเครื่องมือและหยุดการใช้ทันที เครื่องมือทำงานหนักเกินไป จากนั้นเปิดเครื่องมือเพื่อเริ่มการทำงานอีกครั้ง

การป้องกันความร้อนสูงเกินไป

เมื่อเครื่องมือ/แบตเตอรี่ร้อนเกินไป เครื่องมือจะหยุดทำงานโดยอัตโนมัติ และไฟแสดงสถานะแบตเตอรี่จะสว่างขึ้นเป็นเวลาประมาณ 60 วินาที เครื่องมือจะไม่เริ่มทำงานแม้ว่าคุณจะเปิดเครื่องแล้ว ในกรณีนี้ให้ปล่อยให้แบตเตอรี่ให้เย็นลงก่อนที่จะเปิดเครื่องมืออีกครั้ง

การป้องกันการปล่อยประจุออกมามากเกินไป

เมื่อความจุแบตเตอรี่เหลือน้อย ไฟแสดงสถานะจะกะพริบ หากใช้ต่อ เครื่องมือจะหยุดทำงาน และไฟแสดงสถานะจะสว่างขึ้นเป็นเวลาประมาณ 60 วินาที หากคุณเปิดใช้เครื่องมือ มอเตอร์จะเริ่มทำงานอีกครั้ง แต่อีกสักพักจะหยุดทำงาน ในกรณีนี้ให้เปลี่ยนดัลป์แบตเตอรี่

หมายเหตุ: ระยะเวลาที่ดวงไฟจะสว่างขึ้นนั้นขึ้นอยู่กับอุณหภูมิของสถานที่ทำงานและสภาพของดัลป์แบตเตอรี่

การระบุระดับพลังงานแบตเตอรี่ที่เหลืออยู่

สำหรับดัลป์แบตเตอรี่ที่มีตัวแสดงสถานะเท่านั้น

▶ **หมายเลข 3:** 1. ไฟแสดงสถานะ 2. ปุ่มตรวจสอบ

กดปุ่ม ตรวจสอบ บนดัลป์แบตเตอรี่เพื่อดูปริมาณแบตเตอรี่ที่เหลือ ไฟแสดงสถานะจะสว่างขึ้นเป็นเวลาสองสามวินาที

ไฟแสดงสถานะ			แบตเตอรี่ที่เหลือ
ไฟสว่าง	ดับ	กะพริบ	
■ ■ ■ ■	□ □ □ □	▣ □ □ □	75% ถึง 100%
■ ■ ■ □	□ □ □ □	▣ □ □ □	50% ถึง 75%
■ ■ □ □	□ □ □ □	▣ □ □ □	25% ถึง 50%
■ □ □ □	□ □ □ □	▣ □ □ □	0% ถึง 25%
▣ □ □ □	□ □ □ □	▣ □ □ □	ชาร์จไฟแบตเตอรี่
■ ■ □ □	□ □ □ □	▣ □ □ □	แบตเตอรี่อาจจะเสีย
□ □ ■ ■	□ □ □ □	▣ □ □ □	

หมายเหตุ: ขึ้นอยู่กับสภาพการใช้งานและอุณหภูมิ โดยรอบ การแสดงสถานะอาจจะแตกต่างจากปริมาณแบตเตอรี่จริงเล็กน้อย

หมายเหตุ: ไฟแสดงสถานะดวงแรก (ซ้ายสุด) จะกะพริบเมื่อระบบป้องกันแบตเตอรี่ทำงาน

การทำงานของสวิตช์

▶ **หมายเลข 4:** 1. เปิด/ปุ่มเปลี่ยนความเร็ว 2. ปุ่มปิด

ในการเปิดเครื่องดูดฝุ่นเพื่อเริ่มการใช้งาน เพียงแค่กดปุ่มเปิด/ปุ่มเปลี่ยนความเร็ว ในการปิดสวิตช์ กดปุ่มปิด คุณสามารถเปลี่ยนความเร็วเครื่องดูดฝุ่นได้ด้วยสามขั้น โดยการกดปุ่ม เปิด/ปุ่มเปลี่ยนความเร็ว การกดปุ่มครั้งที่หนึ่ง จะเป็นโหมดความเร็วสูง การกดปุ่มครั้งที่สอง จะเป็นโหมดความเร็วสูงสุด การกดปุ่มครั้งที่สาม จะเป็นโหมดความเร็วปกติ ในแต่ละครั้งที่กดปุ่มนี้ วนซ้ำเป็นโหมดความเร็ว สูง/สูงสุด/ปกติ ตามที่คุณเลือก

การประกอบ

⚠ ข้อควรระวัง: ตรวจสอบให้แน่ใจว่าได้ปิดสวิทช์เครื่องมือและถอดปลั๊กแบตเตอรี่ออกก่อนดำเนินการใดๆ กับเครื่องมือ

ถุงเก็บฝุ่น และกระดาษกรอง

ไม่ว่าจะเป็นถุงเก็บฝุ่น หรือกระดาษกรอง ให้ติดตั้งก่อนการใช้งาน

ในการติดตั้งถุงเก็บฝุ่น หรือกระดาษกรอง ต้องใช้ที่กักฝุ่น ถุงเก็บฝุ่น สามารถใช้ซ้ำได้หลายครั้ง โดยการทำความสะอาดแล้วนำกลับมาใช้

กระดาษกรองเป็นชนิดใช้แล้วทิ้ง ให้ทั้งกระดาษกรองทั้งหมดไปพร้อมกับถุงฝุ่นขณะยังเต็มอยู่โดยไม่ต้องเทออก

ข้อสังเกต: การป้องกันไม่ให้ฝุ่นเข้าไปที่มอเตอร์:

- ตรวจสอบให้แน่ใจว่าได้ติดตั้งถุงเก็บฝุ่น หรือกระดาษกรองแล้วก่อนการใช้งาน
- ใส่ที่กักฝุ่นลงไปพร้อมกับถุงเก็บฝุ่นหรือกระดาษกรองโดยใส่ให้เข้าที่และตรงร่องขณะติดตั้ง
- ห้ามใช้ถุงที่ขาดหรือฉีก

มิฉะนั้นมอเตอร์อาจเสียหายได้

ข้อสังเกต: ห้ามพับกระดาษแข็งบริเวณทางเข้า ขณะติดตั้งกระดาษกรอง

ข้อสังเกต: ห้ามทั้งที่กักฝุ่นเพราะจะต้องใช้ซ้ำด้วยกันกับถุงเก็บฝุ่นและกระดาษกรอง

ข้อสังเกต: กระดาษกรองเป็นส่วนประกอบสำคัญสำหรับเครื่องดูดฝุ่นในการรักษาสสมรรถนะการใช้งานของเครื่องมือ การใช้กระดาษกรองอื่นใดที่ไม่ใช่ของแท้จะทำให้เกิดควัน หรือติดไฟได้

การติดตั้งถุงเก็บฝุ่น

ขณะติดตั้งถุงเก็บฝุ่น ให้ใช้ที่กักฝุ่น โปรตระวังอย่าปล่อยให้ด้านบนเป็นด้านล่างเพราะว่ามันแตกต่างกัน

▶ **หมายเลข 5:** 1. ด้านบนของที่กักฝุ่น 2. ด้านล่างของที่กักฝุ่น

1. สอดส่วนที่ยื่นออกมาของถุงดักฝุ่นเข้าไปในร่องของที่กักฝุ่นตามที่แสดงในภาพ

ด้านบนและด้านล่างของถุงดักฝุ่นไม่แตกต่างกัน คุณสามารถสอดส่วนที่ยื่นออกมาของด้านใดก็ได้เข้าไปในร่องของที่กักฝุ่น

▶ **หมายเลข 6:** 1. ที่กักฝุ่น 2. ร่อง 3. ถุงเก็บฝุ่น

2. วางกรอบของที่กักฝุ่นกับกรอบของถุงเก็บฝุ่นให้ทับซ้อนกัน

▶ **หมายเลข 7**

3. วางที่กักฝุ่นและถุงเก็บฝุ่นด้วยกันที่ช่องว่างตรงกลางภายในเครื่องดูดฝุ่นโดยให้อยู่ในทิศทางเดียวกับลูกศรที่อยู่บนที่กักฝุ่น วางลงไปให้เข้าที่ด้วยกันพอดีกับซอกของช่องว่างตรงกลางภายในเครื่องดูดฝุ่น

▶ **หมายเลข 8:** 1. ช่อง

4. เก็บส่วนที่เป็นผ้าทั้งหมดของถุงเก็บฝุ่นเข้าข้างในเครื่องดูดฝุ่นให้เรียบร้อย

▶ **หมายเลข 9**

5. ปิดฝาครอบกล่องดักฝุ่นให้เรียบร้อย

▶ **หมายเลข 10:** 1. ฝาครอบกล่องดักฝุ่น

หมายเหตุ: เมื่อไม่ได้ติดตั้งถุงดักฝุ่นในเครื่องดูดฝุ่น ฝาครอบกล่องดักฝุ่นจะปิดไม่สนิท

การติดตั้งกระดาษกรอง

ขณะติดตั้งกระดาษกรอง ให้ใช้ที่กักฝุ่นด้วย โปรตระวังอย่าปล่อยให้ด้านบนเป็นด้านล่างเพราะว่ามันแตกต่างกัน

▶ **หมายเลข 11:** 1. ด้านบนของที่กักฝุ่น 2. ด้านล่างของที่กักฝุ่น

1. คลี่ปากทางเข้าของกระดาษกรองออก ก่อนที่จะใส่เข้ากับที่กักฝุ่น

▶ **หมายเลข 12**

2. สอดส่วนที่ยื่นออกมาของกระดาษกรองลงในร่องของที่กักฝุ่นตามที่แสดงในภาพ

ด้านบนและด้านล่างของกระดาษกรองไม่แตกต่างกัน คุณสามารถสอดส่วนที่ยื่นออกมาของด้านใดก็ได้เข้าไปในร่องของที่กักฝุ่น

▶ **หมายเลข 13:** 1. ที่กักฝุ่น 2. ร่อง 3. กระดาษกรอง

3. วางกรอบของที่กักฝุ่นกับกรอบของกระดาษกรองให้ทับซ้อนกัน

▶ **หมายเลข 14**

4. วางที่กักฝุ่นและกระดาษกรองด้วยกันที่ช่องว่างตรงกลางภายในเครื่องดูดฝุ่นโดยให้อยู่ในทิศทางเดียวกับลูกศรที่อยู่บนที่กักฝุ่น วางลงไปให้เข้าที่ด้วยกันพอดีกับซอกของช่องว่างตรงกลางภายในเครื่องดูดฝุ่น

▶ **หมายเลข 15:** 1. ช่อง

5. เก็บส่วนต่างๆ ทั้งหมดของกระดาษกรองเข้าข้างในเครื่องมือให้เรียบร้อย

▶ **หมายเลข 16**

6. ปิดฝาครอบกล่องตุ๊กฝุ่นให้เรียบร้อย

► หมายเลข 17: 1. ฝาครอบกล่องตุ๊กฝุ่น

หมายเหตุ: เมื่อไม่ได้ติดตั้งกระต่ายกรองในเครื่องดูดฝุ่น ฝาครอบกล่องตุ๊กฝุ่นจะปิดไม่สนิท

การติดตั้งสายสะพายไหล่

⚠ **ข้อควรระวัง:** ระวังอย่าให้สายสะพายไหล่เข้าไปติดกับวัตถุที่อยู่รอบๆ

⚠ **ข้อควรระวัง:** ระวังอย่าให้สายสะพายไหล่เลื่อนหลุดออกจากไหล่ของคุณเมื่อใช้งานเครื่องดูดฝุ่น เพื่อให้ถือเครื่องดูดฝุ่นได้อย่างมั่นคง ขอแนะนำให้สวมสายสะพายไหล่พาดที่ด้านหลังหน้าอกของคุณ

ต่อขอเกี่ยวของสายสะพายไหล่บนที่ยึดของที่ตุ๊กฝุ่นตามทีแสดงในภาพ

► หมายเลข 18: 1. สายสะพายไหล่ 2. ขอเกี่ยว 3. ที่ยึด

หมายเหตุ: คุณยังสามารถติดตั้งสายสะพายไหล่เข้ากับกระเป่าผ้า (อุปกรณ์เสริม) ได้ตามภาพอีกด้วย

► หมายเลข 19: 1. สายสะพายไหล่ 2. กระเป่าผ้า

การใช้งาน

⚠ **ข้อควรระวัง:** จับมือจับไว้เสมอเมื่อถือเครื่องดูดฝุ่น หากคุณจับส่วนอุปกรณ์ต่อพ่วงเพื่อเคลื่อนย้าย ส่วนอุปกรณ์ต่อพ่วงอาจหลุดจากเครื่องดูดฝุ่นและทำให้ได้รับบาดเจ็บได้

⚠ **ข้อควรระวัง:** อย่าใช้อุปกรณ์ขณะขับรถยนต์หรือเมื่อเครื่องยนต์กำลังทำงาน

⚠ **ข้อควรระวัง:** อย่าจับข้อต่อที่แสดงในภาพ การจับข้อต่อที่ดังกล่าวยังอาจทำให้น้ำคุณถูกหนีบได้

► หมายเลข 20: 1. ข้อต่อท่อ

การใช้ที่ตุ๊กฝุ่น

หมายเหตุ: ถอดอุปกรณ์ต่อพ่วงเครื่องเป่าลมออกก่อนทำการดูดฝุ่น หากอุปกรณ์ต่อพ่วงเครื่องเป่าลมอยู่กับเครื่องดูดฝุ่นอยู่ กำลังในการดูดจะลดลง

การติดตั้งและการถอดอุปกรณ์ต่อพ่วงของเครื่องดูดฝุ่น

การเชื่อมต่ออุปกรณ์ต่อพ่วง เช่น หัวดูด ให้บิดและสอดอุปกรณ์ต่อพ่วงเข้ากับท่อให้แน่น และเมื่อต้องการถอดออก ให้บิดและถอดออก

วิธีการติดตั้งจะแตกต่างกันไปตามหัวดูดดังกล่าว

► หมายเลข 21: 1. ท่อ 2. หัวดูดยาง 3. แปรงขนนุ่ม 4. หัวดูดสำหรับที่นั่ง 5. หัวดูดเสื่อ

การดูดฝุ่น

หัวดูดยาง

หัวดูดนี้สะดวกสำหรับการทำความสะอาดมุมที่มีความลึก เช่น ช่องใส่ของที่ประตู หัวดูดยางนี้อ่อนโยนต่อการทำงานสะอาดพื้นผิว

► หมายเลข 22: 1. หัวดูดยาง

แปรงขนนุ่ม

หัวดูดนี้สะดวกสำหรับการทำความสะอาดช่องระบายอากาศของเครื่องปรับอากาศ, แผงหน้าปัดรถยนต์ ฯลฯ สามารถปรับหัวของแปรงขนนุ่มในมุมที่ต้องการได้

► หมายเลข 23: 1. แปรงขนนุ่ม

หัวดูดสำหรับที่นั่ง

หัวดูดนี้มีแปรงใยผ้าสำหรับทำความสะอาดพื้นผิวของที่นั่ง แปรงด้านข้างบนหัวดูดมีประโยชน์สำหรับกวาดฝุ่นออกจากแนวตะเข็บ

► หมายเลข 24: 1. หัวดูดสำหรับที่นั่ง 2. แปรงด้านข้าง

หัวดูดเสื่อ

หัวดูดนี้ใช้สำหรับทำความสะอาดเสื่อและพรมที่ใช้ปูพื้น พื้นของหัวดูดจะช่วยกวาดเศษทรายออก

► หมายเลข 25: 1. หัวดูดเสื่อ

ข้อสังเกต: ใช้หัวดูดเสื่อในการทำความสะอาดพรมเสมอ การใช้หัวดูดเสื่อกับวัสดุอื่นจะทำให้พื้นผิวมีรอยขีดข่วนได้

การทำความสะอาดโดยไม่ใช้หัวดูดฝุ่น

คุณสามารถดูดฝุ่นโดยไม่มีหัวดูดได้

► หมายเลข 26

การนำถุงฝุ่นออกไปทิ้ง

⚠ ข้อควรระวัง: นำฝุ่นออกจากถุงดักฝุ่นให้หมดหรือเปลี่ยนกระดาษกรองก่อนที่จะเติม ไม่เช่นนั้นกำลังการดูดแรงเป่าอาจลดลงได้

⚠ ข้อควรระวัง: เมื่อปิดฝาครอบกล่องดักฝุ่น ระวังอย่าให้หนิบนนิ้วมือของคุณ

ข้อสังเกต: ห้ามทิ้งที่กักฝุ่นเพราะจะต้องใช้ด้วยกันกับถุงดักฝุ่นและกระดาษกรอง

ข้อสังเกต: เมื่อถุงดักฝุ่น/กระดาษกรองไม่อยู่ภายในเครื่องดูดฝุ่น ฝาครอบกล่องดักฝุ่นจะปิดไม่สนิท อย่าฝืนปิดฝาครอบกล่องดักฝุ่น เนื่องจากอาจทำให้เครื่องมือผิดรูปหรือเสียหายได้

ข้อสังเกต: เมื่อนำฝุ่นไปทิ้ง ให้ทำความสะอาดช่องสำหรับถุงดักฝุ่น/กระดาษกรองด้วย ฝุ่นและสิ่งสกปรกที่หลงเหลืออยู่ในช่องอาจทำให้กรองฟองน้ำอุดตันหรือมอเตอร์เสียหายได้

- เปิดฝาครอบกล่องดักฝุ่น
 - ▶ หมายเลข 27: 1. ฝาครอบกล่องดักฝุ่น
 - ดึงทั้งที่กักฝุ่นสีส้มและถุงดักฝุ่น/กระดาษกรองออกพร้อมๆ กัน
 - ▶ หมายเลข 28: 1. ที่กักฝุ่น
 - เมื่อใช้ถุงดักฝุ่นถอดที่กักฝุ่นออกและเทฝุ่นในถุงดักฝุ่นทิ้ง
 - ▶ หมายเลข 29: 1. ที่กักฝุ่น 2. ถุงดักฝุ่น
- เมื่อใช้กระดาษกรอง
- ถอดที่กักฝุ่นออกและนำกระดาษกรองไปทิ้ง
- ▶ หมายเลข 30: 1. ที่กักฝุ่น 2. กระดาษกรอง
- ใส่ถุงดักฝุ่น/กระดาษกรองอันใหม่และที่กักฝุ่นลงในเครื่องดูดฝุ่น แล้วปิดฝาครอบกล่องดักฝุ่น

การใช้เป็นเครื่องเป่าลม

⚠ ข้อควรระวัง: ห้ามชี้หัวดูดไปที่บุคคลอื่นซึ่งอยู่ในบริเวณใกล้เคียง

⚠ ข้อควรระวัง: เพื่อป้องกันการสูดดมฝุ่นขอแนะนำให้เปิดหน้าต่างและสวมแว่นตาป้องกันและหน้ากากขณะใช้งาน

⚠ ข้อควรระวัง: อย่าวางอุปกรณ์ต่อพ่วงเครื่องเป่าลม อาจทำให้หลุดออกจากเครื่องดูดฝุ่น

⚠ ข้อควรระวัง: อย่าวางเครื่องดูดฝุ่นเพื่อเป่าลมเข้าไปในวัตถุ เช่น แพยาง ลูกบอล และผลิตภัณฑ์ซึ่งทำให้พองได้ อื่นๆ รอบการหมุนของมอเตอร์ที่เพิ่มขึ้นอาจทำให้พัดลมแตกหักซึ่งเป็นอันตรายได้

⚠ ข้อควรระวัง: อย่าวาดช่องดูดลมและ/หรือช่องเป่าลมเด็ดขาด ระวังอย่าให้ฝุ่นหรือสิ่งสกปรกมาอุดทางเข้าของช่องดูดลมหรือช่องเป่าลมเมื่อทำงานในพื้นที่ที่มีฝุ่นมาก

⚠ ข้อควรระวัง: อย่าวางหัวเป่านอกเหนือจากหัวเป่าที่กำหนดโดย Makita

การติดตั้งและการถอดอุปกรณ์ต่อพ่วงเครื่องเป่าลม

การติดตั้งอุปกรณ์ต่อพ่วงเครื่องเป่าลม ให้จัดส่วนที่ยื่นออกมาของพอร์ตของอุปกรณ์ต่อพ่วงเครื่องเป่าลมให้ตรงกับร่องบนช่องระบายอากาศ จากนั้นดันเข้าไปจนกระทั่งได้ยินเสียงคลิก

▶ หมายเลข 31: 1. อุปกรณ์ต่อพ่วงเครื่องเป่าลม

การถอดอุปกรณ์ต่อพ่วงเครื่องเป่าลม ให้ดึงพอร์ตลงมาในขณะที่กดด้านบนไว้ตามภาพ

▶ หมายเลข 32

การเป่าลม

หันปลายอุปกรณ์ต่อพ่วงเครื่องเป่าลมไปทางวัตถุที่ต้องการเป่าออก จากนั้นให้เปิดเครื่อง

▶ หมายเลข 33

การบำรุงรักษา

⚠ ข้อควรระวัง: ตรวจสอบให้แน่ใจว่าได้ปิดสวิตช์เครื่องมือและถอดปลั๊กแบตเตอรี่ออกก่อนทำการตรวจสอบหรือบำรุงรักษา

ข้อสังเกต: อย่าใช้น้ำมันเชื้อเพลิง เบนซิน ทินเนอร์ แอลกอฮอล์ หรือวัสดุประเภทเดียวกัน เนื่องจากอาจทำให้เกิดควัน เสียวรูป หรือแตกร้าวได้

เพื่อความปลอดภัยและนำเชื่อถือของผลิตภัณฑ์ ควรให้ศูนย์บริการหรือโรงงานที่ผ่านการรับรองจาก Makita เป็นผู้ดำเนินการซ่อมแซม บำรุงรักษาและทำการปรับตั้งอื่นๆ นอกจากนี้ให้ซื้ออะไหล่ของแท้จาก Makita เสมอ

การทำความสะอาด

หมั่นทำความสะอาดภายนอก (ตัวเครื่อง) ของเครื่องดูดฝุ่นโดยใช้ผ้าชุบน้ำหมาบ

แล้วก็ทำความสะอาด ช่องดูดฝุ่น ดុងเก็บฝุ่น/กระต่ายกรอง บริเวณฐาน และบริเวณที่กักฝุ่นด้วย

▶ หมายเลข 34

ล้างดักฝุ่นในน้ำสบู่เมื่อถุงอุดตันด้วยฝุ่น และเมื่อกำลังการดูดลดลง รอให้แห้งสนิทก่อนการใช้งาน หากไม่แห้งพออาจทำให้การดูดฝุ่นไม่ดีพอ และยังคงทำให้อายุการใช้งานมอเตอร์สั้นลงด้วย

▶ หมายเลข 35

หมายเหตุ: กระต่ายกรองเป็นชนิดใช้แล้วทิ้ง

เมื่อกรองฟองน้ำอุดตันด้วยฝุ่น ให้นำออกจากเครื่องดูดฝุ่นแล้วเช็ดออกหรือล้างด้วยน้ำ

ถอดกรองฟองน้ำออกแล้วก็ติดตั้งเข้าไปอีกครั้ง

⚠ ข้อควรระวัง: หลังจากทำความสะอาดกรองฟองน้ำแล้ว อย่าลืมติดตั้งกรองฟองน้ำลงบนเครื่องดูดฝุ่นนั้นด้วย หากทำความสะอาดด้วยการล้างน้ำ จะต้องทำให้แห้งเสียก่อนจึงทำการติดตั้ง หากกรองฟองน้ำแห้งไม่ดีพอ อาจทำให้อายุการใช้งานมอเตอร์สั้นลง

ในการถอดกรองฟองน้ำ ให้ถอดดุงเก็บฝุ่น หรือกระต่ายกรอง จากนั้นก็ค่อยๆ ถอดกรองฟองน้ำออก

▶ หมายเลข 36: 1. กรองฟองน้ำ

กดขอบทั้งหมดของกรองฟองน้ำเข้ากับผนังกันด้านในบริเวณฐานของดุงเก็บฝุ่น/กระต่ายกรอง

▶ หมายเลข 37: 1. ผนังกัน

การเก็บรักษา

⚠ คำเตือน: ห้ามวางตลับแบตเตอรี่และเครื่องชาร์จทิ้งไว้ในรถยนต์ อุ่นหมุกภายในส่วนที่หนึ่งของรถยนต์ซึ่งจอดไว้กลางแดดอาจสูงถึง 50 °C (122 °F) ซึ่งอาจทำให้ตลับแบตเตอรี่เสื่อมสภาพ และอาจทำให้มีขงเหลวไหลออกมา เกิดควันหรือไฟไหม้ได้

▶ หมายเลข 38

⚠ คำเตือน: ห้ามใช้เครื่องชาร์จขณะที่ยังอยู่ในถุงเก็บ การปิดกั้นช่องระบายอากาศอาจทำให้เกิดควันหรือไฟไหม้ได้

▶ หมายเลข 39

⚠ คำเตือน: ห้ามชาร์จตลับแบตเตอรี่ด้วยอุปกรณ์แปลงไฟในรถ เนื่องจากอาจทำให้เกิดความร้อนผิดปกติและทำให้เกิดไฟไหม้ได้

⚠ คำเตือน: ห้ามชาร์จตลับแบตเตอรี่ในรถยนต์ หากตลับแบตเตอรี่สัมผัสกับอุณหภูมิในระยะที่เกินกว่า 10°C (50 °F) - 40°C (104 °F) แบตเตอรี่อาจเกิดความร้อนและ/หรือไฟไหม้ หรือระเบิดได้

⚠ ข้อควรระวัง: เก็บท่อไว้ตามภาพเสมอเพื่อหลีกเลี่ยงการสะดุดเมื่อไม่ได้ใช้เครื่องดูดฝุ่น ท่อที่ไม่ได้พันเก็บไว้ อาจทำให้คุณสะดุดและทำให้ได้รับบาดเจ็บได้

▶ หมายเลข 40: 1. ขอบเกี่ยว 2. ท่อ

การแก้ไขปัญหา

ก่อนที่จะมีการซ่อม กรุณาตรวจสอบดังต่อไปนี้

อาการหรือสิ่งที่เกิดขึ้น	บริเวณที่จะตรวจสอบ	วิธีการซ่อม
แรงดูดลดลง	ผงฝุ่นเต็มถุงเก็บฝุ่นหรือกระดาษกรองหรือไม่?	นำผงฝุ่นทิ้งเพื่อให้ถุงเก็บฝุ่นหรือกระดาษกรองว่าง
	ถุงเก็บฝุ่นอุดตันหรือไม่?	ทำให้ฝุ่นพร่องลงหรือทำความสะอาดถุงเก็บฝุ่น
	กระดาษกรองอุดตันหรือไม่?	เปลี่ยนกระดาษกรอง
	แบตเตอรี่หมดหรือไม่?	ชาร์จไฟถลับแบตเตอรี่
ใช้การไม่ได้	แบตเตอรี่หมดหรือไม่?	ชาร์จไฟถลับแบตเตอรี่
ฝาครอบกล่องดักฝุ่นไม่ปิด	ติดตั้งถุงดักฝุ่นหรือกระดาษกรองไว้แล้วหรือไม่?	ติดตั้งถุงดักฝุ่นหรือกระดาษกรอง

ข้อสังเกต: ห้ามพยายามที่จะซ่อมเครื่องดูดฝุ่นด้วยตนเอง

อุปกรณ์เสริม

⚠ ข้อควรระวัง: ขอแนะนำให้ใช้เฉพาะอุปกรณ์เสริมหรืออุปกรณ์ต่อพ่วงเหล่านี้กับเครื่องมือ Makita ที่ระบุในคู่มือการใช้อุปกรณ์เสริมหรืออุปกรณ์ต่อพ่วงอื่นๆ อาจมีความเสี่ยงที่จะได้รับบาดเจ็บ ใช้อุปกรณ์เสริมหรืออุปกรณ์ต่อพ่วงตามวัตถุประสงค์ที่ระบุไว้เท่านั้น

- แบตเตอรี่และเครื่องชาร์จ Makita ของแท้

หมายเหตุ: อุปกรณ์บางรายการอาจจะรวมอยู่ในชุดเครื่องมือเป็นอุปกรณ์มาตรฐาน ซึ่งอาจแตกต่างกันไปในแต่ละประเทศ

หากต้องการทราบรายละเอียดเพิ่มเติมเกี่ยวกับอุปกรณ์เสริมเหล่านี้ โปรดสอบถามศูนย์บริการ Makita ใกล้บ้านคุณ

- ท่อต่อ (ท่อตรง)
- หัวดูดฝุ่น
- หัวดูดฝุ่นสำหรับพื้นพรม
- แปรงสำหรับชั้นวาง
- หัวดูดฝุ่นสำหรับมุมอับ
- แปรงกลม
- ท่อที่อ่อนตัวได้
- กระดาษกรอง
- หัวดูด
- หัวดูดสำหรับที่นั่ง
- หัวดูดสำหรับร่องที่เข้าถึงยาก
- อุปกรณ์ต่อพ่วงระบบไซโคลนอน
- ถุงดักฝุ่น
- ถุงดักฝุ่นประสิทธิภาพสูง
- กระเป่าผ้า

Makita Corporation
3-11-8, Sumiyoshi-cho,
Anjo, Aichi 446-8502 Japan
www.makita.com

885803A378
EN, ZHCN, ID, MS,
VI, TH
20210108