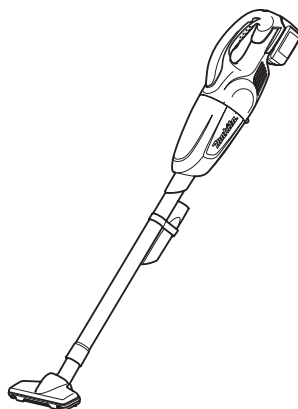




EN	Cordless Cleaner	INSTRUCTION MANUAL	9
SL	Brezžični čistilnik	NAVODILO ZA UPORABO	16
SQ	Pastruesi me bateri	MANUALI I PËRDORIMIT	23
BG	Акумулаторна прахосмукачка	РЪКОВОДСТВО ЗА ЕКСПЛОАТАЦИЯ	31
HR	Bežični usisivač	PRIRUČNIK S UPUTAMA	40
MK	Безжичен чистач	УПАТСТВО ЗА УПОТРЕБА	47
RO	Aspirator cu acumulator	MANUAL DE INSTRUCȚIUNI	56
SR	Бежични чистач	УПУТСТВО ЗА УПОТРЕБУ	64
RU	Аккумуляторный пылесос	РУКОВОДСТВО ПО ЭКСПЛУАТАЦИИ	72
UK	Бездротовий очищувач	ІНСТРУКЦІЯ З ЕКСПЛУАТАЦІЇ	80

DCL140
DCL180
DCL180F



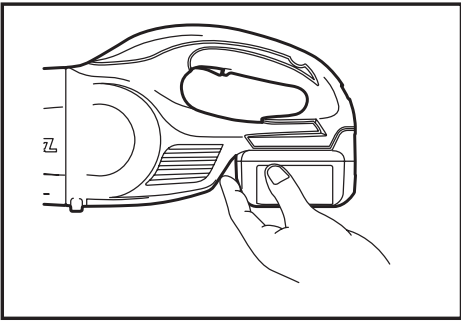


Fig.1

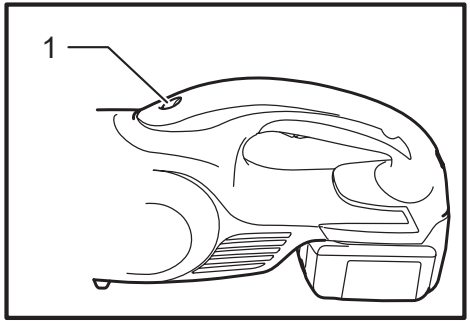


Fig.5

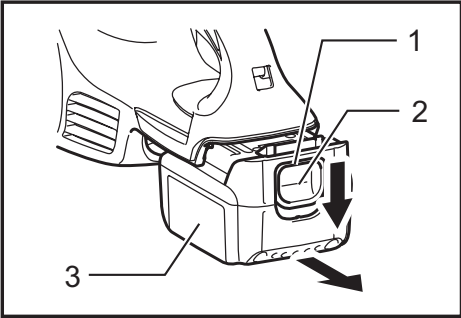


Fig.2

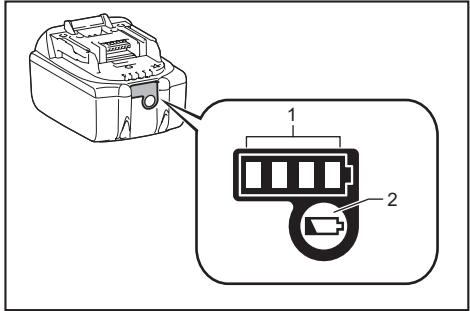


Fig.6

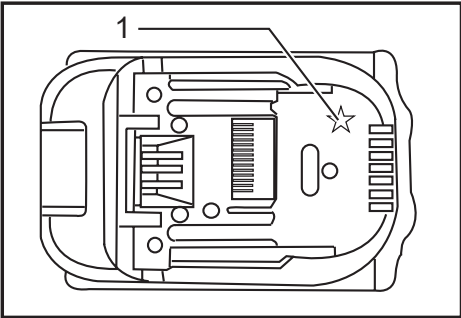


Fig.3

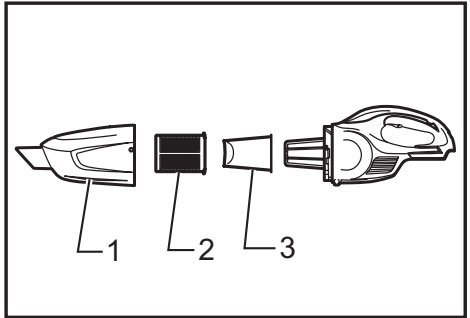


Fig.7

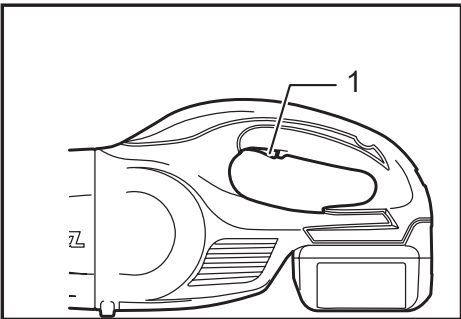


Fig.4

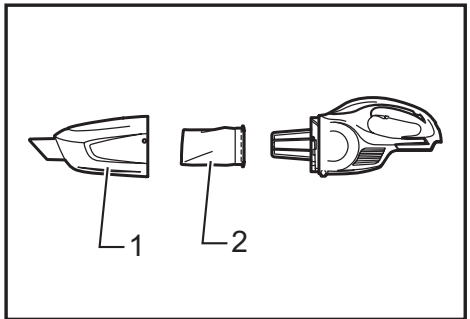


Fig.8

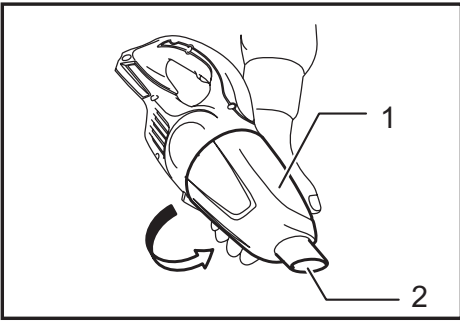


Fig.9

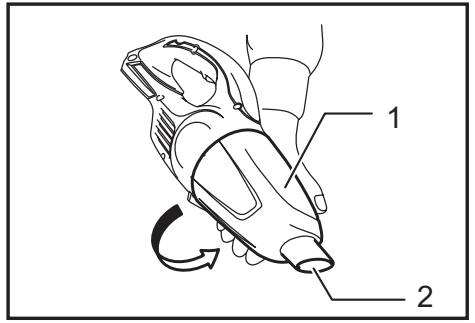


Fig.13

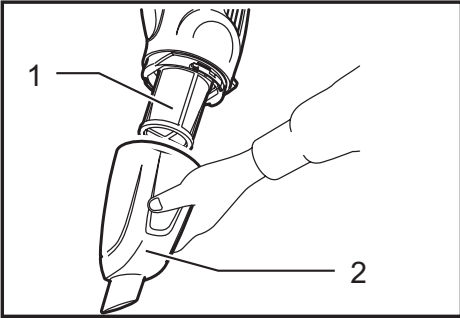


Fig.10

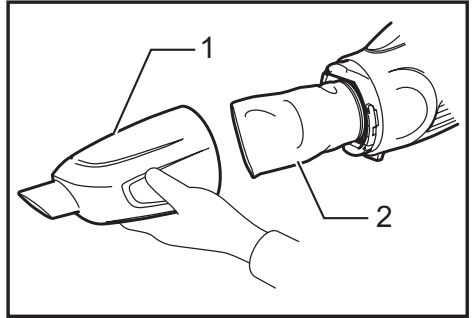


Fig.14

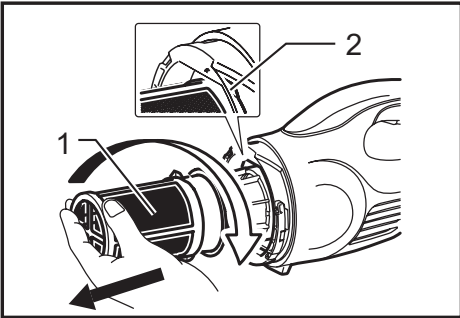


Fig.11

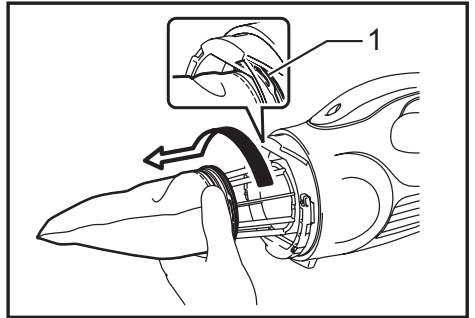


Fig.15

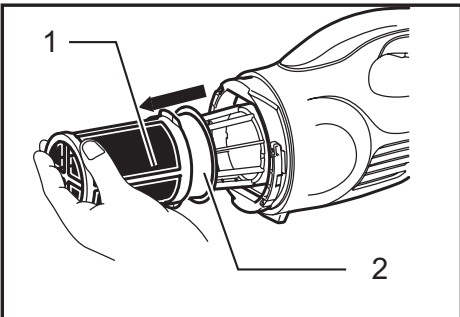


Fig.12

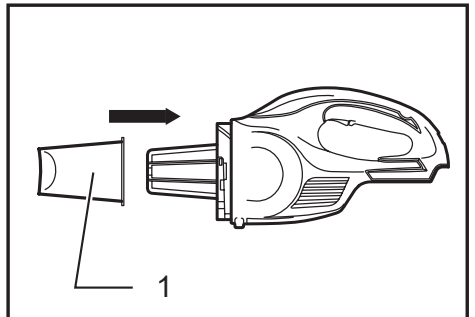


Fig.16

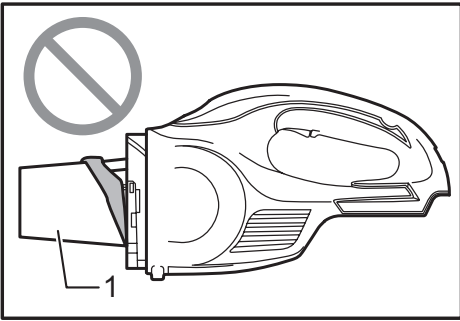


Fig.17

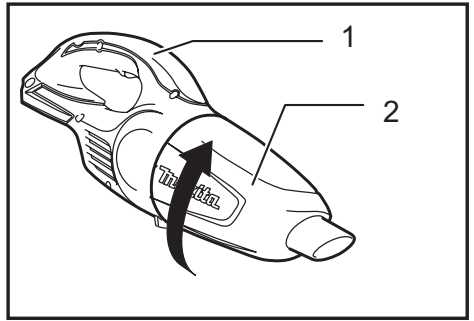


Fig.21

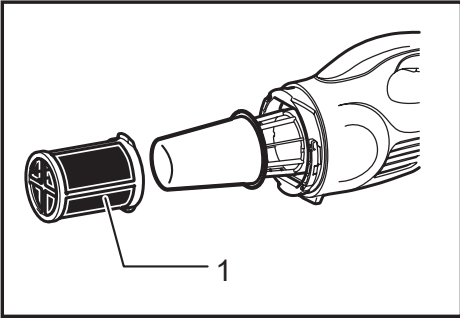


Fig.18

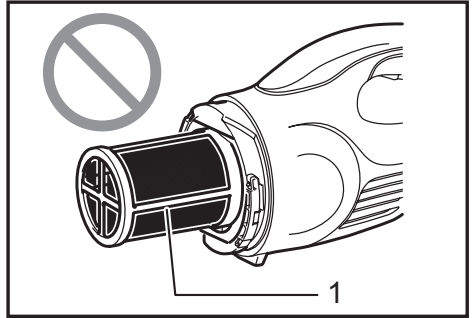


Fig.22

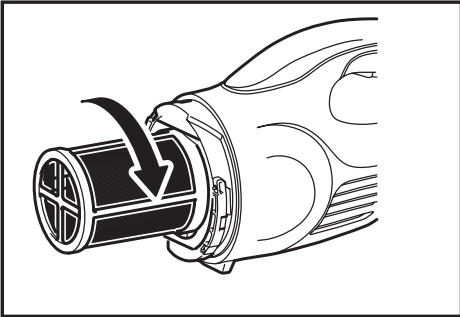


Fig.19

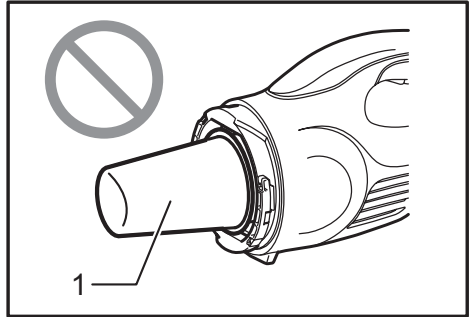


Fig.23

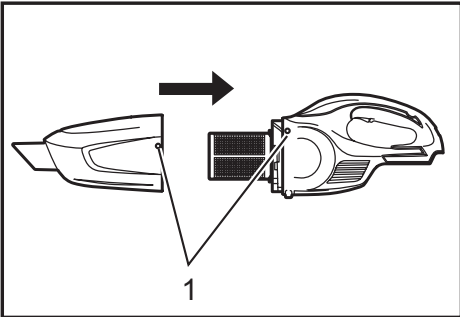


Fig.20

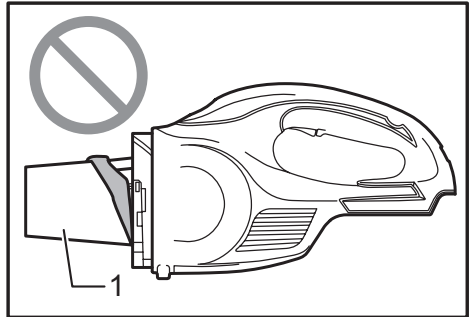


Fig.24

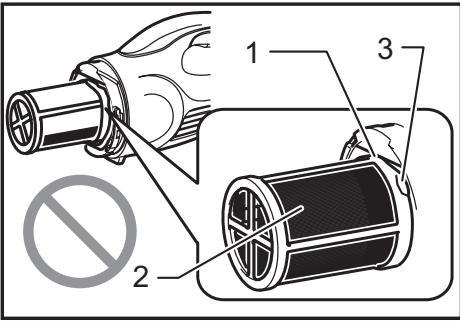


Fig.25

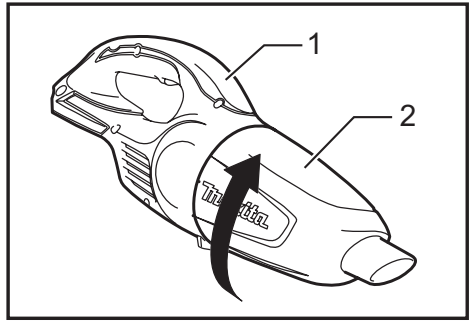


Fig.29

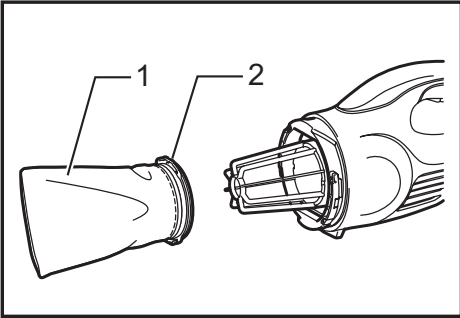


Fig.26

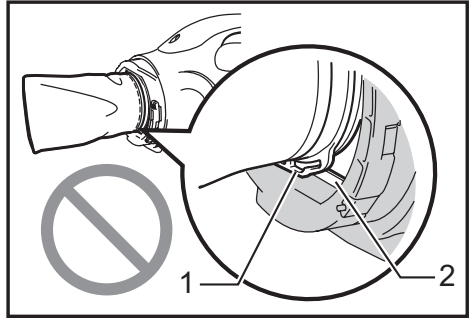


Fig.30

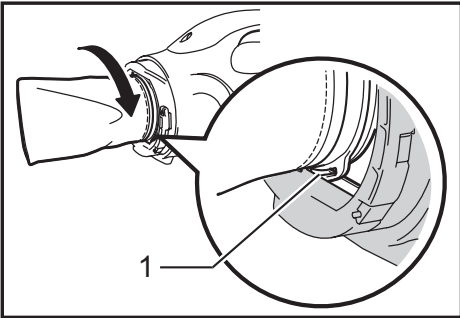


Fig.27

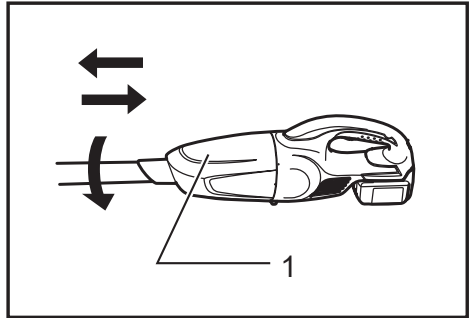


Fig.31

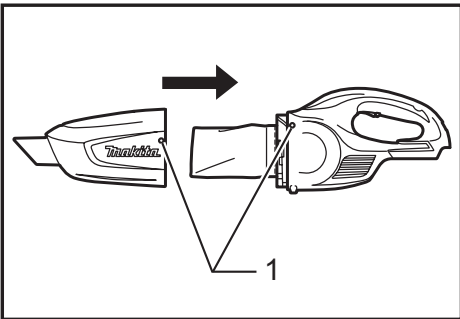


Fig.28

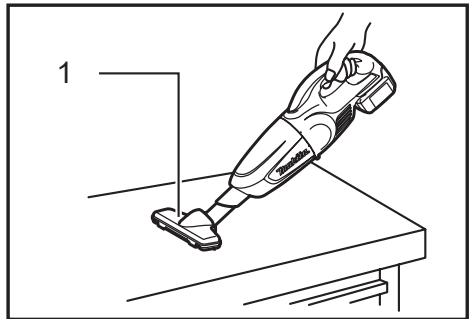


Fig.32

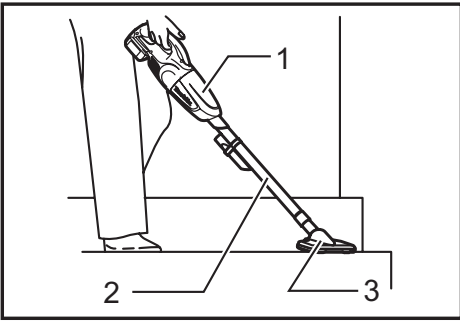


Fig.33

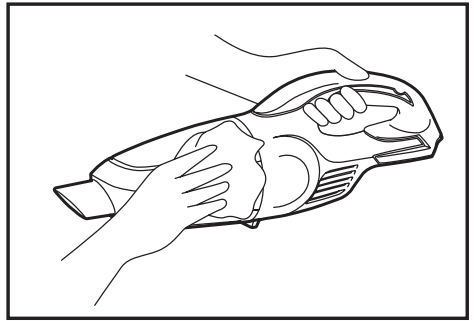


Fig.37

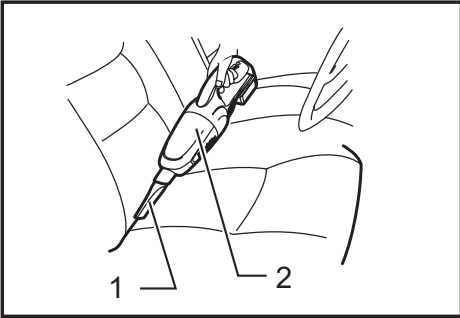


Fig.34

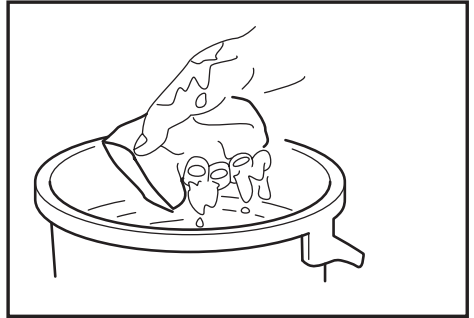


Fig.38

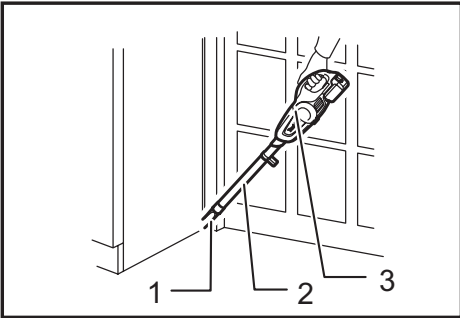


Fig.35

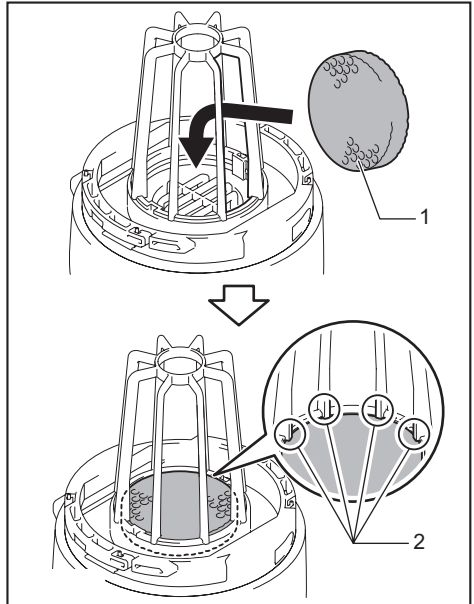


Fig.39

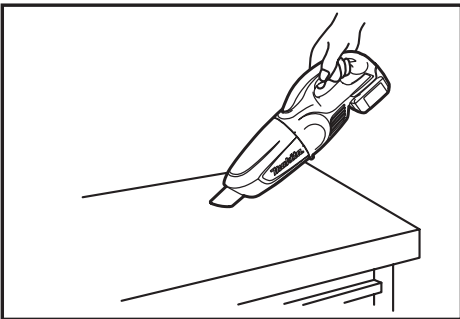


Fig.36

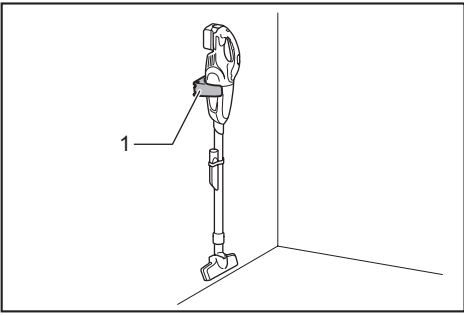


Fig.40

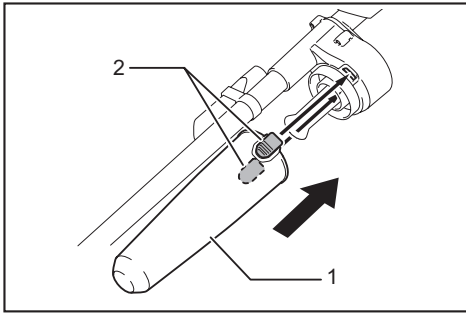


Fig.43

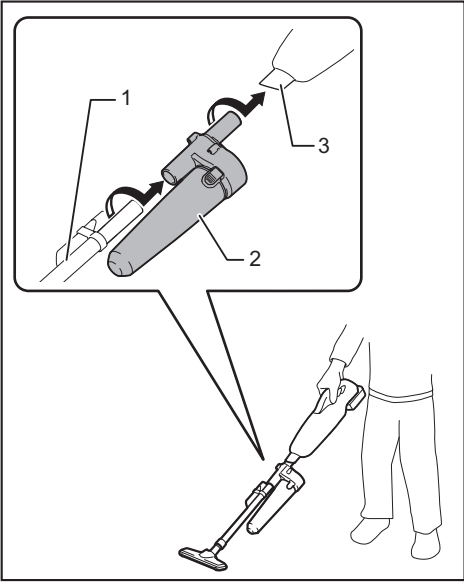


Fig.41

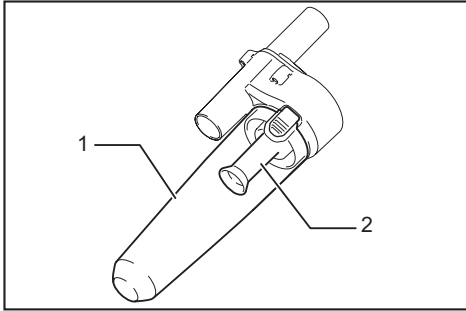


Fig.44

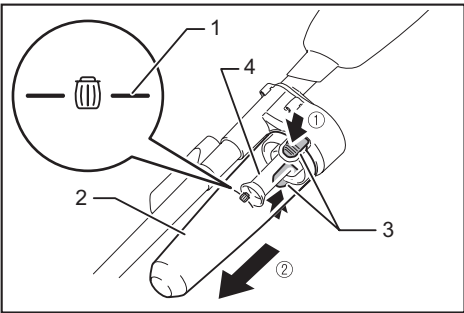


Fig.42

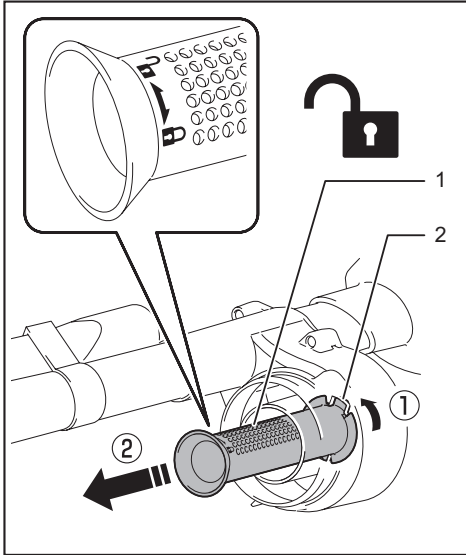


Fig.45

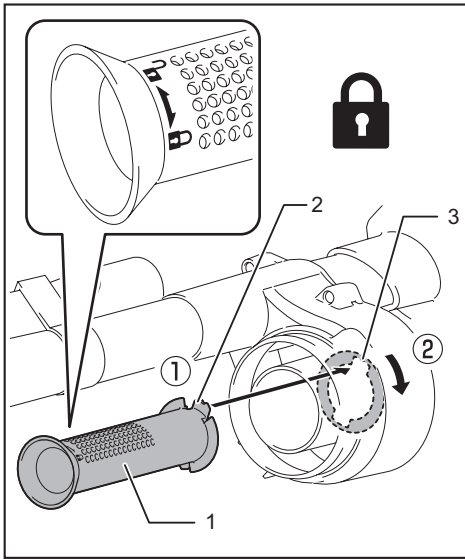


Fig.46

WARNING

This appliance can be used by children aged from 8 years and above and persons with reduced physical, sensory or mental capabilities or lack of experience and knowledge if they have been given supervision or instruction concerning use of the appliance in a safe way and understand the hazards involved. Children shall not play with the appliance. Cleaning and user maintenance shall not be made by children without supervision.

SPECIFICATIONS

Model	DCL140	DCL180	DCL180F
Capacity	650 mL		
Continuous use	Approx. 20 min		
Overall length	981 mm	999 mm	
Net weight	1.2 - 1.4 kg	1.2 - 1.5 kg	1.3 - 1.6 kg
Rated voltage	D.C. 14.4 V		D.C. 18 V

- Due to our continuing program of research and development, the specifications herein are subject to change without notice.
- Specifications may differ from country to country.
- The weight does not include accessories but battery cartridge(s). The lightest and heaviest combination weight of the appliance and battery cartridge(s) are shown in the table.

Applicable battery cartridge and charger

Battery cartridge	D.C. 14.4 V Model	BL1415N / BL1430 / BL1430B / BL1440 / BL1450 / BL1460B
	D.C. 18 V Model	BL1815N / BL1820 / BL1820B / BL1830 / BL1830B / BL1840 / BL1840B / BL1850 / BL1850B / BL1860B
Charger	DC18RC / DC18RD / DC18RE / DC18SD / DC18SE / DC18SF / DC18SH	

- Some of the battery cartridges and chargers listed above may not be available depending on your region of residence.

⚠ WARNING: Only use the battery cartridges and chargers listed above. Use of any other battery cartridges and chargers may cause injury and/or fire.

Symbols

The followings show the symbols which may be used for the equipment. Be sure that you understand their meaning before use.



Read instruction manual.



Only for EU countries
Do not dispose of electric equipment or battery pack together with household waste material! In observance of the European Directives, on Waste Electric and Electronic Equipment and Batteries and Accumulators and Waste Batteries and Accumulators and their implementation in accordance with national laws, electric equipment and batteries and battery pack(s) that have reached the end of their life must be collected separately and returned to an environmentally compatible recycling facility.

Intended use

The tool is intended for collecting dry dust.

Cordless cleaner safety warnings

⚠ WARNING: IMPORTANT! READ CAREFULLY all safety warnings and all instructions BEFORE USE. Failure to follow the warnings and instructions may result in electric shock, fire and/or serious injury.

1. Do not expose to rain. Store indoors.
2. Do not allow to be used as a toy. Close attention is necessary when used by or near children.
3. Use only as described in this manual. Use only manufacturer's recommended attachments.
4. Do not use with damaged battery. If appliance is not working as it should, has been dropped, damaged, left outdoors, or dropped into water, return it to a service center.
5. Do not handle appliance with wet hands.
6. Do not put any object into openings. Do not use with any opening blocked; keep free of dust, lint, hair, and anything that may reduce air flow.
7. Keep hair, loose clothing, fingers, and all parts of body away from openings and moving parts.
8. Turn off all controls before removing the battery.
9. Use extra care when cleaning on stairs.
10. Do not use to pick up flammable or combustible liquids, such as gasoline, or use in areas where they may be present.
11. Use only the charger supplied by the manufacturer to recharge.
12. Do not pick up anything that is burning or smoking, such as cigarettes, matches, or hot ashes.
13. Do not use without dust bag and/or filters in place.
14. Do not charge the battery outdoors.
15. Recharge only with the charger specified by the manufacturer. A charger that is suitable for one type of battery pack may create a risk of fire when used with another battery pack.
16. Use power tools only with specifically designated battery packs. Use of any other battery packs may create a risk of injury and fire.
17. When (the) battery pack is not in use, keep it away from other metal objects, like paper clips, coins, keys, nails, screws or other small metal objects, that can make a connection from one terminal to another.
18. Under abusive conditions, liquid may be ejected from the battery; avoid contact. If contact accidentally occurs, flush with water.
19. Do not use a battery pack or tool that is damaged or modified. Damaged or modified batteries may exhibit unpredictable behaviour resulting in fire, explosion or risk of injury.
20. Do not expose a battery pack or tool to fire or excessive temperature. Exposure to fire or temperature above 130 °C may cause explosion.
21. Follow all charging instructions and do not charge the battery pack or tool outside the temperature range specified in the instructions. Charging improperly or at temperatures outside the specified range may damage the battery and increase the risk of fire.

SAVE THESE INSTRUCTIONS.

ADDITIONAL SAFETY RULES

This appliance is intended for household use.

1. Read this instruction manual and the charger instruction manual carefully before use.
2. Do not pick up the following materials:
 - Hot materials such as lit cigarettes or spark/metal dust generated by grinding/cutting metal
 - Flammable materials such as gasoline, thinner, benzene, kerosene or paint
 - Explosive materials like nitroglycerin
 - Ignitable materials such as Aluminum, zinc, magnesium, titanium, phosphorus or celluloid
 - Wet dirt, water, oil or the like
 - Hard pieces with sharp edges, such as wood chips, metals, stones, glasses, nails, pins or razors
 - Powder to clot such as cement or toner
 - Conductive dust such as metal or carbon
 - Fine particle like concrete dustSuch action may cause fire, injury and/or property damage.
3. Stop operation immediately if you notice anything abnormal.
4. If you drop or strike the cleaner, check it carefully for cracks or damage before operation.
5. Do not bring close to stoves or other heat sources.
6. Do not block the intake hole or vent holes.

SAVE THESE INSTRUCTIONS.

Important safety instructions for battery cartridge

1. Before using battery cartridge, read all instructions and cautionary markings on (1) battery charger, (2) battery, and (3) product using battery.
2. Do not disassemble battery cartridge.
3. If operating time has become excessively shorter, stop operating immediately. It may result in a risk of overheating, possible burns and even an explosion.
4. If electrolyte gets into your eyes, rinse them out with clear water and seek medical attention right away. It may result in loss of your eyesight.
5. Do not short the battery cartridge:
 - (1) Do not touch the terminals with any conductive material.
 - (2) Avoid storing battery cartridge in a container with other metal objects such as nails, coins, etc.
 - (3) Do not expose battery cartridge to water or rain.A battery short can cause a large current flow, overheating, possible burns and even a breakdown.
6. Do not store the tool and battery cartridge in locations where the temperature may reach or exceed 50 °C (122 °F).

7. **Do not incinerate the battery cartridge even if it is severely damaged or is completely worn out. The battery cartridge can explode in a fire.**
8. **Be careful not to drop or strike battery.**
9. **Do not use a damaged battery.**
10. **The contained lithium-ion batteries are subject to the Dangerous Goods Legislation requirements.**
For commercial transports e.g. by third parties, forwarding agents, special requirement on packaging and labeling must be observed.
For preparation of the item being shipped, consulting an expert for hazardous material is required. Please also observe possibly more detailed national regulations.
Tape or mask off open contacts and pack up the battery in such a manner that it cannot move around in the packaging.
11. **When disposing the battery cartridge, remove it from the tool and dispose of it in a safe place. Follow your local regulations relating to disposal of battery.**
12. **Use the batteries only with the products specified by Makita.** Installing the batteries to non-compliant products may result in a fire, excessive heat, explosion, or leak of electrolyte.
13. **If the tool is not used for a long period of time, the battery must be removed from the tool.**

SAVE THESE INSTRUCTIONS.

⚠ CAUTION: Only use genuine Makita batteries. Use of non-genuine Makita batteries, or batteries that have been altered, may result in the battery bursting causing fires, personal injury and damage. It will also void the Makita warranty for the Makita tool and charger.

Tips for maintaining maximum battery life

1. **Charge the battery cartridge before completely discharged. Always stop tool operation and charge the battery cartridge when you notice less tool power.**
2. **Never recharge a fully charged battery cartridge. Overcharging shortens the battery service life.**
3. **Charge the battery cartridge with room temperature at 10 °C - 40 °C (50 °F - 104 °F). Let a hot battery cartridge cool down before charging it.**
4. **Charge the battery cartridge if you do not use it for a long period (more than six months).**

FUNCTIONAL DESCRIPTION

⚠ CAUTION:

- Always be sure that the tool is switched off and the battery cartridge is removed before adjusting or checking function on the tool.
- Take care not to trap finger(s) between cleaner and battery as shown in diagram when loading battery. Trapping finger(s) may cause injury.

► Fig.1

Installing or removing battery cartridge

► Fig.2: 1. Red indicator 2. Button 3. Battery cartridge

⚠ CAUTION:

- Always switch off the tool before installing or removing of the battery cartridge.
- **Hold the tool and the battery cartridge firmly when installing or removing battery cartridge.** Failure to hold the tool and the battery cartridge firmly may cause them to slip off your hands and result in damage to the tool and battery cartridge and a personal injury.

To remove the battery cartridge, slide it from the tool while sliding the button on the front of the cartridge. To install the battery cartridge, align the tongue on the battery cartridge with the groove in the housing and slip it into place. Insert it all the way until it locks in place with a little click. If you can see the red indicator on the upper side of the button, it is not locked completely.

⚠ CAUTION:

- Always install the battery cartridge fully until the red indicator cannot be seen. If not, it may accidentally fall out of the tool, causing injury to you or someone around you.
- Do not install the battery cartridge forcibly. If the cartridge does not slide in easily, it is not being inserted correctly.

Battery protection system (Lithium-ion battery with star marking)

► Fig.3: 1. Star marking

Lithium-ion batteries with a star marking are equipped with a protection system. This system automatically cuts off power to the tool to extend battery life. The tool will automatically stop during operation if the tool and/or battery are placed under one of the following conditions:

- **Overloaded:**
The tool is operated in a manner that causes it to draw an abnormally high current. In this situation, release the trigger switch on the tool and stop the application that caused the tool to become overloaded. Then pull the trigger switch again to restart. If the tool does not start, the battery is overheated. In this situation, let the battery cool before pulling the trigger switch again.
- **Low battery voltage:**
The remaining battery capacity is too low and the tool will not operate. In this situation, remove and recharge the battery.

Switch action

► Fig.4: 1. Switch trigger

⚠ CAUTION:

- Before inserting the battery cartridge into the tool, always check to see that the switch trigger actuates properly and returns to the "OFF" position when released.

To start the tool, simply pull the switch trigger. Release the switch trigger to stop.

Lighting the lamp

For Model DCL180F only

⚠ CAUTION:

- Never look into the light directly. Direct light causes damage to your eyes.

► Fig.5: 1. Lamp

Pull the switch trigger to light up the lamp. Release the switch trigger to turn off.

Indicating the remaining battery capacity

Only for battery cartridges with the indicator

► Fig.6: 1. Indicator lamps 2. Check button

Press the check button on the battery cartridge to indicate the remaining battery capacity. The indicator lamps light up for a few seconds.

Indicator lamps			Remaining capacity
Lighted	Off	Blinking	
			75% to 100%
			50% to 75%
			25% to 50%
			0% to 25%
			Charge the battery.
			The battery may have malfunctioned.

NOTE: Depending on the conditions of use and the ambient temperature, the indication may differ slightly from the actual capacity.

ASSEMBLY

⚠ CAUTION:

- Always be sure that the tool is switched off and the battery cartridge is removed before carrying out any work on the tool.

Type of filter

Normal filter

► Fig.7: 1. Capsule 2. Prefilter 3. Filter

High performance filter

► Fig.8: 1. Capsule 2. High performance filter

Disposing of dust

⚠ CAUTION:

- Empty the cleaner before it becomes too full, or the suction force weakens.
- Be sure to empty out the dust inside the cleaner itself. Failure to do so may cause the filter to be clogged or the motor to be damaged.

Disposing of dust for normal filter

In order to drop dust sticking on the filter in the capsule, tap the capsule 4 or 5 times with your hand.

Now point suction inlet downwards, turn capsule in direction of arrow in diagram, and disconnect capsule slowly and straight.

► Fig.9: 1. Capsule 2. Suction inlet

NOTE:

- Dust may spill out when capsule is opened, so be sure to set a garbage bag beneath capsule.

Remove accumulated dust from inside of capsule and off of prefilter.

► Fig.10: 1. Prefilter 2. Capsule

Twist prefilter in direction of arrow to unfasten securing lip from cleaner unit and then pull off prefilter.

► Fig.11: 1. Prefilter 2. Securing lip

Clean out fine dust from prefilter. Next, remove filter, and lightly tap to dislodge dust.

► Fig.12: 1. Prefilter 2. Filter

Disposing of dust for high performance filter

In order to drop dust sticking on the filter in the capsule, tap the capsule 4 or 5 times with your hand.

Now point suction inlet downwards, turn capsule in direction of arrow in diagram, and disconnect capsule slowly and straight.

► Fig.13: 1. Capsule 2. Suction inlet

NOTE:

- Dust may spill out when capsule is opened, so be sure to set a garbage bag beneath capsule.

Remove accumulated dust from inside of capsule and off of high performance filter.

► Fig.14: 1. Capsule 2. High performance filter

Twist high performance filter in direction of arrow to unfasten securing lip from cleaner unit and then pull off the filter.

► **Fig.15:** 1. Securing lip

Clean out the fine dust and lightly tap to dislodge dust from high performance filter.

Reassembly

Reassembly for normal filter

Put on filter until it is fully in position on the cleaner unit.

► **Fig.16:** 1. Filter

NOTE:

- Make sure filter is put on straight without being peeled back. If filter is put on incorrectly as shown in diagram, dust will get into motor housing, and cause motor failure.

► **Fig.17:** 1. Filter

Connect prefilter. At this time, make sure to twist prefilter so that securing lip is firmly locked into cleaner unit.

► **Fig.18:** 1. Prefilter

► **Fig.19**

Connect capsule. Align O symbol on capsule with O symbol on handle and then firmly twist capsule in direction of arrow until it is secured.

► **Fig.20:** 1. O Mark

► **Fig.21:** 1. Handle 2. Capsule

NOTE:

- Always remove dust ahead of time, as suction power will be reduced if there is too much dust in cleaner.
- Always be sure to check that both filter and prefilter are loaded correctly prior to using cleaner. If they are not loaded correctly, dust will get into the motor housing, and cause motor failure. If the following examples occur, filter and prefilter are not loaded correctly. Reload them correctly to rectify problem.

Problem Examples

Example 1: Only prefilter has been loaded (no filter)

► **Fig.22:** 1. Prefilter

Example 2: Only filter has been loaded (no prefilter)

► **Fig.23:** 1. Filter

Example 3: Filter has been loaded in a peeled back state

► **Fig.24:** 1. Filter

Example 4: Prefilter's securing lip is not firmly locked into groove of cleaner housing

► **Fig.25:** 1. Groove of cleaner housing 2. Prefilter 3. Securing lip

Reassembly for high performance filter

Connect high performance filter. At this time, make sure to twist high performance filter so that securing lip is firmly locked into cleaner unit.

► **Fig.26:** 1. High performance filter 2. Securing lip

► **Fig.27:** 1. Securing lip

Connect capsule. Align O symbol on capsule with O symbol on handle and then firmly twist capsule in direction of arrow until it is secured.

► **Fig.28:** 1. O Mark

► **Fig.29:** 1. Handle 2. Capsule

NOTE:

- Always remove dust ahead of time, as suction power will be reduced if there is too much dust in cleaner.
- Always be sure to check that high performance filter is loaded correctly prior to using cleaner. If they are not loaded correctly, dust will get into the motor housing, and cause motor failure. If the following examples occur, high performance filter is not loaded correctly. Reload them correctly to rectify problem.

Problem Examples

Securing lip of high performance filter is not firmly locked into groove of cleaner housing.

► **Fig.30:** 1. Securing lip 2. Groove of cleaner housing

OPERATION

CAUTION:

- To connect attachments, such as nozzle, twist-insert attachment in direction of arrow to ensure secure connection during use. To disconnect attachment, twist-extract also in direction of arrow. If attachment is twisted in the opposite direction, when being connected or disconnected, capsule may become loose.

► **Fig.31:** 1. Capsule

Cleaning (Suction)

Nozzle

Attach the nozzle to clean off tables, desks, furniture, etc. Nozzle slips on easily.

► **Fig.32:** 1. Nozzle

Nozzle + Extension wand (Straight pipe)

The extension wand fits in between the nozzle and the cleaner itself. This arrangement is convenient for cleaning a floor while standing erect.

► **Fig.33:** 1. Cleaner body 2. Extension wand 3. Nozzle

Corner nozzle

Fit on the corner nozzle for cleaning corners and crevices of a car or furniture.

► **Fig.34:** 1. Corner nozzle 2. Cleaner body

Corner nozzle +Extension wand (Straight pipe)

In tight quarters where the cleaner itself cannot squeeze in, or in high places hard to reach, use this arrangement.

► **Fig.35:** 1. Corner nozzle 2. Extension wand 3. Cleaner body

Cleaning without nozzle

You can pick up powder and dust without nozzle.

► Fig.36

MAINTENANCE

⚠ CAUTION:

- Always be sure that the tool is switched off before attempting to perform inspection or maintenance.

Cleaning

NOTICE: Never use gasoline, benzine, thinner, alcohol or the like. Discoloration, deformation or cracks may result.

NOTICE: Do not blow dust sticking on the cleaner and filters by air duster. It brings dust into the housing and causes failure.

NOTICE: After washing filters, dry them thoroughly before use. Insufficiently dried filters may cause poor suction and shorten the service life of the motor.

NOTICE: After cleaning filters and sponge filter, be sure to re-install them before use. If you use the cleaner without filters and sponge filter, dust comes into the motor housing and cause malfunction.

Cleaner body

From time to time wipe off the outside (cleaner body) of the cleaner using a cloth dampened in soapy water. Clean out also the suction opening and filter mounting area.

► Fig.37

Things to Check Before Asking for Repairs

Symptom	Area to be investigated	Fixing method
Weak suction power	• Is capsule full of dust?	• Empty dust from capsule.
	• Is filter clogged?	• Dust down or wash filter.
	• Is battery exhausted?	• Recharge battery.
Not working	• Is battery exhausted?	• Recharge battery.

NOTE:

- Do not attempt to repair cleaner by yourself.

To maintain product SAFETY and RELIABILITY, repairs, any other maintenance or adjustment should be performed by Makita Authorized Service Centers, always using Makita replacement parts.

Filter

Wash the filter in soapy water when it is clogged with dust and the cleaner power becomes weak. Dry it out thoroughly before use.

► Fig.38

Sponge filter

When the sponge filter becomes dirty, clean it as follows.

1. Remove the filter.
2. Pull out the sponge filter from between the pillars.
3. Clean the sponge filter by tapping or washing. If you wash it, dry it out thoroughly before use.
4. Insert the sponge filter from between the pillars and set it in the original position. Make sure that each bottom edge of the pillar holds down the sponge filter, and there is no gap between the sponge filter and suction opening.

► Fig.39: 1. Sponge filter 2. Bottom edge of pillar

Wall mount for cordless cleaner

Optional accessory

NOTE: The screw to mount the holder is not included. Prepare a screw which fits with the material to screw into.

Attach the wall mount for cordless cleaner to a hard wooden wall, beam or column, where the wall mount for cordless cleaner can be firmly secured. Always be sure that the wall mount for cordless cleaner is securely attached before hanging the cleaner.

► Fig.40: 1. Wall mount for cordless cleaner

⚠ CAUTION: Do not hang the cleaner to the wall mount violently or hang other appliances than the cleaner.

OPTIONAL ACCESSORIES

⚠ CAUTION:

- These accessories or attachments are recommended for use with your Makita tool specified in this manual. The use of any other accessories or attachments might present a risk of injury to persons. Only use accessory or attachment for its stated purpose.

If you need any assistance for more details regarding these accessories, ask your local Makita Service Center.

- Extension wand (Straight pipe)
- Nozzle
- Nozzle for carpet
- Shelf brush
- Corner nozzle
- Round brush
- Flexible hose
- Filter
- Prefilter
- High performance filter
- Wall mount for cordless cleaner
- Cyclone attachment
- Makita genuine battery and charger

NOTE:

- Some items in the list may be included in the tool package as standard accessories. They may differ from country to country.

Cyclone attachment

- Fig.41: 1. Straight pipe 2. Cyclone attachment 3. Suction inlet

About the cyclone attachment

Using the cleaner with the cyclone attachment installed reduces the amount of dust that enters the capsule, which helps to prevent the suction force from weakening. In addition, cleaning after use is also simple.

⚠ CAUTION: Always be sure that the tool is switched off and the battery cartridge is removed before carrying out any work on the tool. If the battery cartridge is left inserted, the cleaner may start unexpectedly and result in injury.

⚠ CAUTION: Clean the mesh filter of the cyclone attachment and the filters of the cleaner unit when they become clogged. Continued use in the clogged condition may result in heating or smoke.

NOTICE: When the cyclone attachment is attached, do not use the cleaner in the horizontal or upward facing condition. Doing so may cause the mesh filter to become clogged.

NOTICE: Always use the cleaner with the filters installed, even when using the cyclone attachment. Using the cleaner without the filters installed may result in a motor malfunction.

NOTE: Check that the cyclone attachment, cleaner, and straight pipe are locked properly before use.

NOTE: Empty the dust case of the cyclone attachment and the capsule of the cleaner when dust has accumulated. Continued use will result in weakened suction force.

Disposing of dust

When dust has accumulated up to the full line of the dust case, follow the procedure below and dispose of the dust.

1. Hold the dust case firmly, press and hold the two buttons, and remove the dust case.

► Fig.42: 1. Full line 2. Dust case 3. Button (two locations) 4. Mesh filter

2. Dispose of the dust inside the dust case and remove any dust and powder adhered to the surface of the mesh filter.

3. Insert the dust case all the way until the two buttons lock with a click.

► Fig.43: 1. Dust case 2. Button (two locations)

NOTE: Check that the cyclone attachment, cleaner, and straight pipe are all firmly connected before restarting operation.

NOTE: If the suction force does not recover even after disposing of the dust and cleaning the mesh filter, check whether dust has accumulated in the capsule of the cleaner or clogging has occurred.

Cleaning

When the dust case becomes dirty or the mesh filter is clogged, remove and wash them with water. (Refer to "Disposing of dust" for the removal procedure.)

Dry the parts thoroughly before reinstallation and use.

► Fig.44: 1. Dust case 2. Mesh filter

When the mesh filter gets dirty badly, clean it in the following procedures.

1. Turn the mesh filter counterclockwise and remove it while the hooks are unlocked.

► Fig.45: 1. Mesh filter 2. Hook

2. Remove the dust on the mesh filter and then wash it with water. After that, dry it thoroughly.

3. Insert the mesh filter into the base while the hooks are aligned with the port. Turn the mesh filter clockwise until the hooks are locked with a click. Make sure that the mesh filter is installed securely.

► Fig.46: 1. Mesh filter 2. Hook 3. Port

OPOZORILO

To napravo lahko na varen način, če razumejo vključena tveganja, uporabljajo otroci, stari 8 let in več ter osebe z zmanjšanimi fizičnimi, čutilnimi ali psihičnimi sposobnostmi, ter s pomanjkanjem izkušenj in znanja, če so pod ustreznim nadzorom ali so prejeli navodila v zvezi z uporabo naprave. Otroci se z napravo ne smejo igrati. Otroci brez nadzora ne smejo izvajati čiščenja in uporabniškega vzdrževanja.

TEHNIČNI PODATKI

Model	DCL140	DCL180	DCL180F
Kapaciteta	650 ml		
Neprekinjena uporaba	Približno 20 min		
Celotna dolžina	981 mm	999 mm	
Neto teža	1,2 - 1,4 kg	1,2 - 1,5 kg	1,3 - 1,6 kg
Nazivna napetost	D.C. 14,4 V		D.C. 18 V

- Ker nenehno opravljamo raziskave in razvijamo svoje izdelke, se lahko tehnični podatki v tem dokumentu spremenijo brez obvestila.
- Tehnični podatki se lahko razlikujejo od države do države.
- Teža ne vključuje pripomočkov, vključuje pa akumulatorske baterije. Najlažja in najtežja kombinacija teže naprave in akumulatorskih baterij sta prikazani v tabeli.

Uporabna akumulatorska baterija in polnilnik

Baterijski vložek	Model D.C. 14,4 V	BL1415N / BL1430 / BL1430B / BL1440 / BL1450 / BL1460B
	Model D.C. 18 V	BL1815N / BL1820 / BL1820B / BL1830 / BL1830B / BL1840 / BL1840B / BL1850 / BL1850B / BL1860B
Polnilnik	DC18RC / DC18RD / DC18RE / DC18SD / DC18SE / DC18SF / DC18SH	

- Nekatere zgoraj navedene akumulatorske baterije in polnilniki morda v vaši državi prebivališča niso na voljo.

⚠ OPOZORILO: Uporabljajte le zgoraj navedene akumulatorske baterije in polnilnike. Uporaba drugih akumulatorskih baterij in polnilnikov lahko povzroči telesne poškodbe in/ali požar.

Simboli

Naslednji simboli se lahko uporabljajo v povezavi s strojem. Pred uporabo izdelka se obvezno seznanite z njihovim pomenom.



Preberite navodila za uporabo.



Samo za države EU
Električnega orodja in akumulatorske baterije ne odlagajte skupaj z gospodinjstvi odpadki! V skladu z evropskimi direktivami o odpadni električni in elektronski opremi, baterijah in akumulatorjih, odpadnih baterijah in akumulatorjih ter upoštevanjem njihovih določil v skladu z državno zakonodajo je treba električno opremo, baterije in akumulatorje, katerih življenjska doba je pretekla, zbirati ločeno in jih dostaviti v ustrezen obrat za recikliranje, ki deluje skladno z okoljevarstvenimi zahtevami.

Predvidena uporaba

Orodje je namenjeno za zbiranje suhega prahu.

Varnostna opozorila za brezžični čistilnik

⚠ OPOZORILO: POMEMBNO! POZORNO
PREBERITE vsa varnostna opozorila in navodila pred uporabo. Zaradi neupoštevanja opozoril in navodil lahko pride do električnega šoka, požara in/ali hudih telesnih poškodb.

1. Ne izpostavljajte dežju. Hranite v notranjih prostorih.
2. Ne dovolite igranja z napravo. Potrebna je posebna pozornost, kadar napravo uporabljajo otroci ali se uporablja v njihovi bližini.
3. Uporabljajte le v skladu z opisi v tem priročniku. Uporabljajte le priključke, ki jih priporoča proizvajalec.
4. Ne uporabljajte naprave s poškodovanim akumulatorjem. Če naprava ne deluje, kot bi morala, je padla, je poškodovana, pozabljena na prostem ali je padla v vodo, jo odnesite v servis.
5. Ne rokujte z napravo z mokrimi rokami.
6. Ne vstavljajte predmetov v odprtine. Ne uporabljajte z zamašenimi odprtinami; odstranite prah, vlakna, lase in vse, kar bi lahko zmanjšalo pretok zraka.
7. Las, ohlapnih oblačil, prstov in nobenih delov telesa ne približujte odprtinam in premikajočim se delom.
8. Preden odstranite akumulator, izklopite vse upravljalne elemente.
9. Med čiščenjem na stopnicah bodite izjemno previdni.
10. Ne uporabljajte za pobiranje vnetljivih ali gorljivih tekočin, kot je bencin, in ne uporabljajte v območjih, kjer so lahko prisotne.
11. Za polnjenje uporabljajte samo polnilnik, ki ga dobavlja proizvajalec.
12. Ne pobirajte ničesar, kar gori ali iz česar se vije dim, kot so cigarete, vžigalice ali vroč pepel.
13. Ne uporabljajte brez vrečke za prah in/ali nameščenih filtrov.
14. Akumulatorja ne polnite na prostem.
15. Orodje polnite samo s polnilnikom, ki ga je določil proizvajalec. Polnilnik, ki je primeren za eno vrsto akumulatorskega sklopa, lahko pomeni nevarnost požara, če ga uporabljate z drugim akumulatorskim sklopom.
16. Električno orodje uporabljajte le s posebej označenimi akumulatorskimi sklopi. Uporaba drugih akumulatorskih sklopov lahko povzroči nevarnost telesnih poškodb in požara.
17. Ko akumulatorskega sklopa ne uporabljate, ga ne hranite ob kovinskih predmetih, kot so sponke za papir, kovanci, ključiči, žebelji, vijaki ali drugi manjši kovinski predmeti, ki lahko povežejo oba terminala.
18. V neprimernih pogojih lahko iz akumulatorja uhaja tekočina; izogibajte se stiku. Če pride do nenamernega stika, sperite z vodo.
19. Ne uporabljajte akumulatorskega sklopa ali orodja, ki je poškodovano ali spremenjeno. Delovanje poškodovanih ali spremenjenih akumulatorjev je nepredvidljivo in lahko povzroči požar, eksplozijo ali telesne poškodbe.

20. Akumulatorskega sklopa in orodja ne izpostavljajte ognju ali previsoki temperaturi. Izpostavljenost ognju ali temperaturam nad 130 °C lahko povzroči eksplozijo.
21. Upoštevajte vsa navodila glede polnjenja in akumulatorskih baterij ali orodja ne polnite zunaj določenega temperaturnega obsega. Nepravilno polnjenje ali polnjenje pri temperaturah, ki so zunaj določenega obsega, lahko poškoduje akumulator in poveča nevarnost požara.

SHRANITE TA NAVODILA.

DODATNA VARNOSTNA PRAVILA

Ta naprava je namenjena le za domačo uporabo.

1. Pred uporabo pazno preberite ta navodila za uporabo in navodila za uporabo polnilnika.
2. Ne pobirajte naslednjih materialov:
 - vročega materiala, kot so prižgane cigarete ali iskre/kovinski prah, ki nastane zaradi brušenja/rezanja kovin
 - vnetljivih materialov, kot je bencin, razredčilo, kerozin ali barva
 - eksplozivnih materialov, npr. nitroglicerina
 - vnetljivih materialov, kot je aluminij, cink, magnezij, titan, fosfor ali celuloza
 - mokre zemlje, vode olja ipd.
 - trdih predmetov z ostrimi robovi, kot so lesni ostružki, kovine, kamni, steklo, žebelji, bučke ali britvice
 - prahu, ki se strdi, kot je cement ali toner
 - prevodnega prahu, kot je kovina ali ogljik
 - finih delcev, kot je betonski prahTakšna dejanja lahko povzročijo požar, telesne poškodbe in/ali materialno škodo.
3. Če opazite karkoli neobičajnega, takoj prenehajte uporabljati orodje.
4. Če vam čistilnik pade iz rok ali če z njim kam udarite, ga pred uporabo skrbno pregledajte, da preverite, ali je razpokan ali poškodovan.
5. Ne približujte ga pečicam ali drugim virom vročine.
6. Ne zamašite vhodne odprtine ali odprtin za prezračenje.

SHRANITE TA NAVODILA.

Pomembna varnostna navodila za akumulatorsko baterijo

1. Pred uporabo baterijskega vložka preberite vsa navodila in opozorilne oznake na (1) polnilniku akumulatorja, (2) akumulatorju in (3) izdelku, ki uporablja akumulator.
2. Ne razstavljajte baterijskega vložka.
3. Če se je čas delovanja občutno skrajšal, takoj prenehajte uporabljati orodje. V nasprotnem primeru lahko pride do pregretja, morebitnih opeklin in celo eksplozije.
4. Če pride do elektrolit v stik z očmi, jih sperite s čisto vodo in takoj poiščite zdravniško pomoč. Posledica je lahko izguba vida.

5. Ne povzročite kratkega stika baterijskega vložka:

- (1) Ne dotikajte se priključkov s kakršnim koli prevodnim materialom.
- (2) Izogibajte se shranjevanju baterijskega vložka v vsebniku z drugimi kovinskimi predmeti kot so žebliji, kovanci itn.
- (3) Ne izpostavljajte baterijskega vložka vodi ali dežju.

Kratek stik akumulatorja lahko povzroči velik električni tok, pregrevanje, morebitne opekline in celo okvaro.

6. Ne shranjujte orodja in baterijskega vložka na mestih, kjer lahko temperatura doseže ali preseže 50 °C.
7. Ne sežigajte baterijskega vložka, tudi če je hudo poškodovan ali v celoti izpraznjen. Baterijski vložek lahko v ognju eksplodira.
8. Poskrbite, da akumulator ne bo izpostavljen padcem ali udarcem.
9. Ne uporabljajte poškodovanih akumulatorjev.
10. Priložene litij-ionske baterije ustrezajo zahtevam zakonodaje v zvezi z nevarnim blagom. Za komercialne prevoze, npr. tiste, ki jih opravljajo tretje stranke in carinski posredniki, je treba upoštevati posebne zahteve v zvezi z embalažo in označevanjem. Med postopkom priprave na odpremo izdelka se je treba posvetovati s strokovnjakom za nevarne snovi. Pri tem upoštevajte tudi podrobnejše nacionalne predpise. Odprte stike oblepite z lepilnim trakom ali jih drugače zaščitite, baterijo pa zapakirajte tako, da se v embalaži ne more premikati.
11. Ko odstranjujete akumulatorsko baterijo, jo vzemite iz orodja in varno zavržite. Upoštevajte lokalne uredbe glede odlaganja baterije.
12. Baterije uporabljajte le z izdelki, ki jih določijo Makita. Če namestite baterije v neskladne izdelke, lahko pride do požara, pregrevanja, eksplozije ali puščanja elektrolita.
13. Če orodja dlje časa ne uporabljate, morate iz njega odstraniti baterijo.

SHRANITE TA NAVODILA.

⚠ POZOR: Uporabljajte le originalne baterije Makita. Če uporabljate neoriginalne baterije Makita ali baterije, ki so bile spremenjene, lahko pride do eksplozije baterije in posledično do požara, telesnih poškodb ali materialne škode. S takšno uporabo boste tudi razveljavili garancijo Makita za orodje in polnilnik Makita.

Nasveti za ohranjanje največje zmogljivosti akumulatorja

1. Napolnite baterijski vložek, preden se v celoti izprazni. Ko opazite, da ima orodje manjšo moč, vedno ustavite delovanje orodja in napolnite baterijski vložek.
2. Nikoli znova ne polnite popolnoma napolnjenega baterijskega vložka. Prenapolnjenje skrajša življenjsko dobo akumulatorja.
3. Baterijski vložek s sobno temperaturo polnite pri temperaturi okolja od 10 °C do 40 °C. Počakajte, da se vroč baterijski vložek pred polnjenjem ohladi.
4. Če baterijskega vložka ne uporabljate dalj časa (več kot 6 mesecev), ga napolnite.

OPIS DELOVANJA

⚠ POZOR:

- Pred vsako nastavitvijo ali pregledom delovanja orodja se prepričajte, da je le to izključeno in da je akumulatorska baterija odstranjena.
- Pazite, da si med nameščanjem akumulatorja ne priprete prstov med čistilnik in akumulator, kot je prikazano na diagramu. S tem se lahko poškodujete.

► SI.1

Nameščanje ali odstranjevanje akumulatorske baterije

► SI.2: 1. Rdeči indikator 2. Gumb 3. Baterijski vložek

⚠ POZOR:

- Vedno izklopite orodje, preden namestite ali odstranite akumulatorsko baterijo.
- **Kadar nameščate ali odstranjujete akumulatorsko baterijo, trdno držite orodje in akumulatorsko baterijo.** Če orodja in akumulatorske baterije ne držite trdno, se lahko zgodi, da vam zdrsneta iz rok, posledica pa je poškodba orodja in akumulatorske baterije ter telesna poškodba.

Za odstranitev akumulatorske baterije iz orodja jo premaknite iz orodja, ob tem pa premaknite gumb na sprednji strani akumulatorske baterije. Pri vstavljanju akumulatorske baterije poravnajte jeziček na akumulatorski bateriji z utorom na ohišju in ga potisnite v ležišče. Akumulatorsko baterijo vstavite do konca, da se razločno zaskoči. Če vidite rdeči indikator na zgornji strani gumba, ta ni popolnoma zaklenjen.

⚠ POZOR:

- Vedno namestite akumulatorsko baterijo, tako da rdeči indikator ni več viden. Če tega ne upoštevate, lahko akumulator nepričakovano izpade iz orodja in poškoduje vas ali osebe v neposredni bližini.
- Ne nameščajte akumulatorske baterije s silo. Če se akumulatorska baterija ne zaskoči zlahka, ni pravilno vstavljena.

Sistem za zaščito akumulatorja (litij-ionske akumulatorji z zvezdico)

► SI.3: 1. Oznaka z zvezdico

Litij-ionske akumulatorji so opremljene z zaščitnim sistemom. Ta sistem samodejno izklopi dovajanje električne energije v orodje, da bi podaljšal življenjsko dobo baterije. Orodje se bo samodejno zaustavilo med delovanjem, če sta orodje in/ali baterija zamenjana pod naslednjimi pogoji:

- Preobremenjeno:
Orodje deluje na način, ki povzroča, da povečje nenormalno visok tok. V tem primeru sprostite sprožilno stikalo na orodju in ustavite uporabo, ki povzroča preobremenjenost orodja. Za ponovni vklop nato ponovno povlecite sprožilno stikalo. Če se orodje ne vklopi, je akumulator pregret. V tem primeru pustite, da se akumulator ohladi, preden ponovno povlečete sprožilno stikalo.

- Nizka napetost akumulatorja:
Preostala zmogljivost akumulatorja je preznizka in orodje ne bo delovalo. V tem primeru odstranite in napolnite akumulator.

Delovanje stikala

- **SI.4:** 1. Sprožilno stikalo

⚠ POZOR:

- Preden vstavite akumulatorsko baterijo v orodje se vedno prepričajte, da je stikalo brezhibno in da se vrača v položaj za izklop (OFF), ko ga spustite.

Za zagon orodja povlecite sprožilno stikalo. Za izklop orodja spustite sprožilno stikalo.

Pržižiganje lučke

Samo za model DCL180F

⚠ POZOR:

- Nikoli ne glejte neposredno v lučko. Neposredna svetloba poškoduje vaše oči.

- **SI.5:** 1. Svetilka

Za vklop svetilke pritisnite sprožilno stikalo. Če želite ustaviti orodje, spustite sprožilec.

Prikazuje preostalo raven napolnjenosti akumulatorja

Samo za akumulatorske baterije z indikatorjem

- **SI.6:** 1. Indikatorске lučke 2. Gumb za preverjanje

Pritisnite gumb za preverjanje na baterijskem vložku, da preverite raven napolnjenosti akumulatorja. Indikatorске lučke na kratko zasvetijo.

Indikatorske lučke			Prikaz preostale ravni napolnjenosti
Sveti	Ne sveti	Utripa	
■	□	◐	
■ ■ ■ ■			od 75 % do 100 %
■ ■ ■ □			od 50 % do 75 %
■ ■ □ □			od 25 % do 50 %
■ □ □ □			od 0 % do 25 %
◐ □ □ □			Napolnite akumulator.
■ ■ □ □			Akumulator je morda okvarjen.
□ □ ■ ■			

OPOMBA: Odvisno od pogojev uporabe in okoljske temperature se označba lahko nekoliko razlikuje od dejanske napolnjenosti.

MONTAŽA

⚠ POZOR:

- Pred vsako izvedbo dela na orodju se prepričajte, da je le to izključeno in da je akumulatorska baterija odstranjena.

Vrsta filtra

Običajen filter

- **SI.7:** 1. Kapsula 2. Prefilter 3. Filter

Visokozmogljivostni filter

- **SI.8:** 1. Kapsula 2. Visokozmogljivostni filter

Odstranjevanje prahu

⚠ POZOR:

- Izpraznite čistilnik, preden se preveč napolni, ali pa bo sesalna moč manjša.
- Izprazniti morate tudi prah iz sesalnika. V nasprotnem primeru lahko pride do zamašitve filtra ali poškodb motorja.

Odstranjevanje prahu z običajnega filtra

Za odstranjevanje prahu, ki se nabira na filtru v kapsuli, 4- ali 5-krat narahlo udarite z roko po kapsuli. Nato usmerite sesalni vhod navzdol, obrnite kapsulo v smer, ki jo prikazuje puščica na skici, ter jo počasi in naravnost odklopite.

- **SI.9:** 1. Kapsula 2. Sesalni vhod

OPOMBA:

- Ko kapsulo odprete, se lahko iz nje vsuje prah, zato pod kapsulo podstavite vrečko za smeti.

Odstranite nabrani prah iz notranjosti kapsule in s prefiltra.

- **SI.10:** 1. Prefilter 2. Kapsula

Obrnite prefILTER v smeri puščice, da sprostite pritrdilni jeziček s sesalne enote, nato pa snemite prefILTER.

- **SI.11:** 1. Prefilter 2. Pritrdilni jeziček

Očistite fini prah s prefiltra. Nato odstranite filter in rahlo udarjajte, da odstranite prah.

- **SI.12:** 1. Prefilter 2. Filter

Odstranjevanje prahu z visokozmogljivostnega filtra

Za odstranjevanje prahu, ki se nabira na filtru v kapsuli, 4- ali 5-krat narahlo udarite z roko po kapsuli.

Nato usmerite sesalni vhod navzdol, obrnite kapsulo v smer, ki jo prikazuje puščica na skici, ter jo počasi in naravnost odklopite.

- **SI.13:** 1. Kapsula 2. Sesalni vhod

OPOMBA:

- Ko kapsulo odprete, se lahko iz nje vsuje prah, zato pod kapsulo podstavite vrečko za smeti.

Odstranite nabrani prah iz notranjosti kapsule in z visokozmogljivostnega predfiltra.

► **SI.14:** 1. Kapsula 2. Visokozmogljivostni filter

Obrnite visokozmogljivostni filter v smeri puščice, da sprostite pritrdilni jeziček s sesalne enote, nato pa snemite filter.

► **SI.15:** 1. Pritrdilni jeziček

Očistite fini prah in rahlo udarjajte, da odstranite prah z visokozmogljivostnega filtra.

Ponovno sestavljanje

Ponovno sestavljanje običajnega filtra

Namestite filter v ustrezen položaj na sesalni enoti.

► **SI.16:** 1. Filter

OPOMBA:

- Prepričajte se, da je filter nameščen naravnost in se ne zvija nazaj. Če je filter nepravilno nameščen, kot je prikazano na skici, bo prah prišel v ohišje motorja in povzročil okvaro motorja.

► **SI.17:** 1. Filter

Priključite predfilter. V tem trenutku obrnite predfilter, tako da se pritrdilni jeziček trdno zaskoči na sesalno enoto.

► **SI.18:** 1. Predfilter

► **SI.19**

Priključite kapsulo. Poravnajte simbol O na kapsuli s simbolom O na ročaju, nato pa čvrsto obrnite kapsulo v smeri puščice, da se zaskoči.

► **SI.20:** 1. Oznaka O

► **SI.21:** 1. Ročaj 2. Kapsula

OPOMBA:

- Vedno pravočasno odstranite prah, saj bo moč sesanja zmanjšana, če je v sesalniku preveč prahu.
- Pred uporabo sesalnika vedno preverite, ali sta filter in predfilter pravilno nameščena. Če nista pravilno nameščena, bo prah prišel v ohišje motorja in povzročil okvaro. Če pride do spodaj opisanih primerov, filter in predfilter nista pravilno nameščena. Pravilno ju namestite, da odpravite težavo.

Primeri težav

1. primer: Nameščen je le predfilter (ni filtra)

► **SI.22:** 1. Predfilter

2. primer: Nameščen je le filter (ni predfiltra)

► **SI.23:** 1. Filter

3. primer: Filter je nameščen v olupljenem stanju

► **SI.24:** 1. Filter

4. primer: Pritrdilni jeziček predfiltra ni trdno nameščen v utor ohišja sesalnika

► **SI.25:** 1. Utor ohišja sesalnika 2. Predfilter 3. Pritrdilni jeziček

Ponovno sestavljanje visokozmogljivostnega filtra

Priključite visokozmogljivostni filter. V tem trenutku obrnite visokozmogljivostni filter, tako da se pritrdilni jeziček trdno zaskoči na sesalno enoto.

► **SI.26:** 1. Visokozmogljivostni filter 2. Pritrdilni jeziček

► **SI.27:** 1. Pritrdilni jeziček

Priključite kapsulo. Poravnajte simbol O na kapsuli s simbolom O na ročaju, nato pa čvrsto obrnite kapsulo v smeri puščice, da se zaskoči.

► **SI.28:** 1. Oznaka O

► **SI.29:** 1. Ročaj 2. Kapsula

OPOMBA:

- Vedno pravočasno odstranite prah, saj bo moč sesanja zmanjšana, če je v sesalniku preveč prahu.
- Pred uporabo sesalnika vedno preverite, ali je visokozmogljivostni filter pravilno nameščen. Če ni pravilno nameščen, bo prah prišel v ohišje motorja in povzročil okvaro. Če pride do spodaj opisanih primerov, visokozmogljivostni filter ni pravilno nameščen. Pravilno ju namestite, da odpravite težavo.

Primeri težav

Pritrdilni jeziček visokozmogljivostnega filtra ni trdno nameščen v utor ohišja sesalnika.

► **SI.30:** 1. Pritrdilni jeziček 2. Utor ohišja sesalnika

DELOVANJE

⚠ POZOR:

- Za povezavo priključkov, kot je šoba, jih zvijete in vstavite v smeri puščice, da zagotovite trdno pritrditev med uporabo. Za odklop priključka jih prav tako zvijete in izvlecite v smeri puščice. Če priključek med priklopom ali odklopom zvijete v nasprotno smer, se lahko kapsula razrahlja.

► **SI.31:** 1. Kapsula

Čiščenje (sesanje)

Šoba

Priključite šobo za čiščenje miz, delovnih miz, pohištva itd. Namestitev šobe je enostavna.

► **SI.32:** 1. Šoba

Šoba + razširitvena palica (ravna cev)

Razširitvena palica se prilega med šobo in čistilnik. Ta sklop je priročen za čiščenje tal, medtem ko stojite pokonci.

► **SI.33:** 1. Telo čistilnika 2. Razširitvena palica 3. Šoba

Kotna šoba

Namestite kotno šobo za čiščenje kotov in špranj v avtomobilu ali pohištvu.

► **SI.34:** 1. Kotna šoba 2. Telo čistilnika

Kotna šoba + razširitvena palica (ravna cev)

Ta sklop uporabite v tesnih prostorih, kamor se čistilnik sam ne prilaga, ali na visokih mestih, ki jih težko dosežete.

- **SI.35:** 1. Kotna šoba 2. Razširitvena palica 3. Telo čistilnika

Čiščenje brez šobe

Brez šobe lahko sesate prašek in prah.

- **SI.36**

VZDRŽEVANJE

▲ POZOR:

- Preden se lotite pregledovanja ali vzdrževanja orodja, se vedno prepričajte, ali je orodje izklopljeno.

Čiščenje

OBVESTILO: Nikoli ne uporabljajte bencina, razredčila, alkohola ali podobnega sredstva. V tem primeru se lahko orodje razbarva ali deformira oziroma lahko nastanejo razpoke.

OBVESTILO: Ne pihajte prahu s čistilnika in filtrov s pihalnikom zraka. S tem bo prah prišel v ohišje in povzročil okvaro.

OBVESTILO: Ko filtre operete, jih pred uporabo temeljito posušite. Ne zadostno posušeni filtri lahko povzročijo slabo sesanje in skrajšajo življenjsko dobo motorja.

OBVESTILO: Ko očistite filtre in gobasti filter, jih pred uporabo znova namestite. Če čistilnik uporabljate brez filtrov in gobastega filtra, prah vstopi v ohišje motorja in povzroči okvaro.

Ohišje čistilnika

Občasno obrišite zunanost (ohišje) čistilnika s krpo, namočeno v milnico.

Očistite tudi sesalno odprtino in območje za namestitev filtra.

- **SI.37**

Filter

Ko se filter zamaši s prahom, ga operite v milnici, saj se zaradi umazanega filtra moč čistilnika zmanjša. Pred uporabo ga temeljito posušite.

- **SI.38**

Gobasti filter

Ko se gobasti filter umaže, ga očistite skladno s spodnjim postopkom.

1. Odstranite filter.
2. Izvlecite gobasti filter izmed stebrov.
3. Očistite gobasti filter tako, da ga otresete ali operete. Če ga operete, ga pred uporabo temeljito posušite.
4. Vstavite gobasti filter med stebre in ga postavite v izvorni položaj. Poskrbite, da spodnji robovi stebra čvrsto držijo gobasti filter ter da med gobastim filtrom in sesalno odprtino ni vrzeli.

- **SI.39:** 1. Gobasti filter 2. Spodnji rob stebra

Stenski nastavek za brezžični čistilnik

Dodatna oprema

OPOMBA: Vijak za namestitev držala ni priložen. Pripravite vijak, ki ustreza materialu, v katerega boste vrtali.

Stenski nastavek za brezžični čistilnik pritrдите na trdo leseno steno, tram ali steber, kamor ga lahko trdno pritrđite. Preden obesite čistilnik, se vedno prepričajte, da je stenski nastavek za brezžični čistilnik trdno pritrjen.

- **SI.40:** 1. Stenski nastavek za brezžični čistilnik

▲ POZOR: Pri obešanju čistilnika na stenski nastavek ne bodite grobi in nanj ne obešajte nobenih drugih naprav razen čistilnika.

Stvari, ki jih morate preveriti, preden zaprosite za popravilo

Simptom	Območje, ki ga je treba pregledati	Metoda pritrjevanja
Majhna sesalna moč	<ul style="list-style-type: none">• Ali je kapsula polna prahu?• Ali je filter zamašen?• Ali je akumulator iztrošen?	<ul style="list-style-type: none">• Izpraznite prah iz kapsule.• Očistite ali operite filter.• Napolnite akumulator.
Ne deluje	<ul style="list-style-type: none">• Ali je akumulator iztrošen?	<ul style="list-style-type: none">• Napolnite akumulator.

OPOMBA:

- Ne poskušajte sami popravljati čistilnika.

VARNO in ZANESLJIVO delovanje tega izdelka bo zagotovljeno le, če boste popravila, vzdrževanje in nastavitve prepustili pooblaščenemu servisu za orodja Makita, ki vgrajuje izključno originalne nadomestne dele.

DODATNI PRIBOR

▲ POZOR:

- Ta dodatni pribor ali pripomočki so predvideni za uporabo z orodjem Makita, ki je opisano v teh navodilih za uporabo. Pri uporabi drugega pribora ali pripomočkov obstaja nevarnost telesnih poškodb. Dodatni pribor ali pripomočke uporabljajte samo za navedeni namen.

Za več informacij o dodatnem priboru in opremi se obrnite na najbližji pooblaščen Makita servis.

- Razširitvena palica (ravna cev)
- Šoba
- Šoba za preprogo
- Krtača za police
- Kotna šoba
- Okrogla krtača
- Gibljiva cev
- Filter
- Prefilter
- Visokozmogljivostni filter
- Stenski nastavek za brezžični čistilnik
- Nastavek za ciklonski sesalnik
- Originalna akumulator in polnilnik Makita

OPOMBA:

- Nekateri predmeti na seznamu so lahko priloženi orodju kot standardni pribor. Lahko se razlikuje od države do države.

Nastavek za ciklonski sesalnik

- **SI.41:** 1. Ravna cev 2. Nastavek za ciklonski sesalnik 3. Sesalni vhod

O nastavku za ciklonski sesalnik

Uporaba sesalnika z nameščenim nastavkom za ciklonski sesalnik zmanjša količino prahu, ki vstopi v kapsulo, kar pomaga preprečiti zmanjšanje moči sesanja. Poleg tega je čiščenje po uporabi preprosto.

▲ POZOR: Pred vsako izvedbo dela na orodju se prepričajte, da je le to izključeno in da je akumulatorska baterija odstranjena. Če pustite akumulatorska baterija v napravi, se lahko sesalnik nepričakovano prižge in povzroči telesno poškodbo.

▲ POZOR: Mrežasti filter nastavka za ciklonski sesalnik in filtre sesalne enote očistite, ko se zamašijo. Če nadaljujete z uporabo, ko sta filter in vrečka zamašena, lahko pride do pregrevanja ali se pojavi dim.

OBVESTILO: Ko je nastavek za ciklonski sesalnik pritrjen, ne uporabljajte sesalnika v vodoravnem položaju ali obrnjenega navzgor. Če to storite, se lahko mrežasti filter zamaši.

OBVESTILO: Sesalnik vedno uporabljajte z nameščenimi filtri, tudi ko uporabljate nastavek za ciklonski sesalnik. Če sesalnik uporabljate brez nameščenih filtrov, lahko pride do okvare motorja.

OPOMBA: Pred uporabo preverite, da so nastavek za ciklonski sesalnik, sesalnik in ravna cev dobro pritrjeni.

OPOMBA: Posodo za prah nastavka za ciklonski sesalnik in kapsulo sesalnika očistite, ko se nabere prah. Če nadaljujete z uporabo, se bo zmanjšala moč sesanja.

Odstranjevanje prahu

Ko se v posodi za prah nabere prah do zgornje meje, sledite spodnjem postopku in odstranite prah.

1. Trdno primite posodo za prah, pritisnite in zadržite dva gumba in odstranite posodo za prah.

► **SI.42:** 1. Zgornja meja 2. Posoda za prah 3. Gumb (na dveh mestih) 4. Mrežasti filter

2. Odstranite prah iz posode za prah in odstranite prah in delce, nabrane na površju mrežastega filtra.

3. Vstavite posodo za prah tako, da oba gumba klikneta.

► **SI.43:** 1. Posoda za prah 2. Gumb (na dveh mestih)

OPOMBA: Pred ponovno uporabo preverite, da so nastavek za ciklonski sesalnik, sesalnik in ravna cev trdno pritrjeni.

OPOMBA: Če se sesalna moč ne povrne tudi ko odstranite nabrani prah iz posode za prah in po čiščenju mrežastega filtra, preverite, če se je v kapsuli sesalnika nabral prah ali je prišlo do zamašitve.

Čiščenje

Ko se posoda za prah umaže ali se mrežasti filter zamaši, ju odstranite in operite z vodo. (Glejte »Odstranjevanje prahu« za postopek odstranitve.)

Dobro osušite dele preden jih ponovno namestite in uporabite.

► **SI.44:** 1. Posoda za prah 2. Mrežasti filter

Ko se mrežasti filter močno umaže, ga očistite z naslednjimi postopki.

1. Mrežasti filter obrnite v obratni smeri od urnega kazalca in ga odstranite, ko se kavlja odkleneta.

► **SI.45:** 1. Mrežasti filter 2. Kavelj

2. Odstranite prah z mrežastega filtra in ga operite z vodo. Po tem ga dobro osušite.

3. Mrežasti filter vstavite v osnovno enoto tako, da sta kavlja poravnana z vrati. Mrežasti filter obrnite v smeri urnega kazalca tako, da se kavlja zakleneta s klikom. Preverite, ali je mrežasti filter trdno nameščen.

► **SI.46:** 1. Mrežasti filter 2. Kavelj 3. Priključek

PARALAJMËRIM

Kjo pajisje mund të përdoret nga fëmijë të moshës 8 vjeçare e lart dhe persona me aftësi të kufizuara fizike, shqisore ose mendore, ose që u mungon përvoja dhe njohuria, nëse janë nën mbikëqyrje apo kanë marrë udhëzime në lidhje me përdorimin e sigurt të pajisjes dhe kuptimin e rreziqeve të mundshme. Fëmijët nuk duhet të luajnë me pajisjen. Pastrimi dhe mirëmbajtja nga përdoruesi nuk duhet të kryhet nga fëmijë pa mbikëqyrje.

SPECIFIKIMET

Modeli	DCL140	DCL180	DCL180F
Kapaciteti	650 mL		
Përdorim i vazhdueshëm	Afërsisht 20 min		
Gjatësia e përgjithshme	981 mm	999 mm	
Pesha neto	1,2 - 1,4 kg	1,2 - 1,5 kg	1,3 - 1,6 kg
Tensioni nominal	DC 14,4 V		DC 18 V

- Për shkak të programit tonë të vazhdueshëm të kërkim-zhvillimit, specifikimet që jepen këtu mund të ndryshojnë pa dhënë njoftim.
- Specifikimet mund të ndryshojnë nga njëri shtet në tjetrin.
- Pesha nuk përfshin aksesoret, por kutinë(të) e baterisë. Pesha më e lehtë dhe më e rëndë e kombinuar e pajisjes dhe e kutisë(ve) të baterisë tregohet në tabelë.

Kutia e aplikueshme e baterisë dhe karikuesi

Kutia e baterisë	Modeli D.C.14,4 V	BL1415N / BL1430 / BL1430B / BL1440 / BL1450 / BL1460B
	Modeli D.C.18 V	BL1815N / BL1820 / BL1820B / BL1830 / BL1830B / BL1840 / BL1840B / BL1850 / BL1850B / BL1860B
Karikuesi	DC18RC / DC18RD / DC18RE / DC18SD / DC18SE / DC18SF / DC18SH	

- Disa prej kutive të baterive dhe karikuesve të renditura më lart mund të mos jenë të disponueshme në varësi të zonës ku ju banoni.

▲ PARALAJMËRIM: Përdorni vetëm kutitë e baterisë dhe karikuesit e listuar më lart. Përdorimi i karikuesve dhe kutive të tjera të baterisë mund të shkaktojë lëndim dhe/ose zjarr.

Simbolet

Pjesët në vazhdim tregojnë simbolet që mund të përdoren për pajisjen. Sigurohuni që merrni vesh kuptimin e tyre përpara përdorimit.



Lexoni manualin e përdorimit.



Ni-MH
Li-ion

Vetëm për vendet e BE-së
Mos i hidhni pajisjet elektrike ose paketën e baterisë së bashku me mbeturinat e shtëpisë! Në përputhje me Direktivën Evropiane për mbetjet nga pajisjet elektrike dhe elektronike, për bateritë dhe akumulatorët dhe mbetjet nga bateritë dhe akumulatorët dhe implementimin e tyre në përputhje me legjislacionin kombëtar, pajisjet elektrike, bateritë dhe paketën(at) e baterisë që kanë arritur fundin e jetëgjatësisë së tyre duhet të mblihen veçmas dhe të dorëzohen në një objekt riciklimi që nuk dëmton mjedisin.

Përdorimi i synuar

Vegla është synuar për mbledhjen e pluhurit të thatë.

Paralajmërimi për sigurinë e pastruesit me bateri

▲ PARALAJMËRIM: E RËNDËSISHME
LEXONI ME KUJDES të gjitha paralajmërimet dhe udhëzimet PARA PËRDORIMIT. Moszbatimi i paralajmërimeve dhe udhëzimeve mund të rezultojë në goditje elektrike, zjarr dhe/ose lëndim serioz.

1. Mos e ekspozoni në kohë me shi. Ruajeni në ambiente të brendshme.
2. Mos lejoni të përdoret si lodër. Nevojitet vëmendje e kujdesshme kur përdoret nga ose në afërsi të fëmijëve.
3. Të përdoret vetëm sipas udhëzimeve të këtij manuali. Përdorni vetëm pjesët shtesë të rekomanduara nga kompania prodhuese.
4. Mos përdorni bateri të dëmtuar. Nëse pajisja nuk funksionon siç duhet, është përplasar, dëmtuar, lënë në ambiente të jashtme ose ka rënë në ujë, dërgojeni në një qendër shërbimi.
5. Mos e përdorni pajisjen me duar të lagura.
6. Mos vendosni objekte në pjesët e hapura. Mos e përdorni me pjesët e hapura të bllokuara; mbajeni të pastër nga pluhurat, fijet, flokët dhe çfarëdo gjë që mund të pengojë rrjedhjen e ajrit.
7. Mbajini flokët, veshjet e lirshme, gishtat dhe të gjitha pjesët e trupit larg nga pjesët e hapura dhe të lëvizshme.
8. Fikni të gjitha kontrollet para se të hiqni baterinë.
9. Tregoni kujdes maksimal kur pastroni në shkallë.
10. Mos e përdorni për të mbledhur lëngje të ndezshme ose të djegshme si benzina apo mos e përdorni në zona ku mund të gjenden ato.
11. Për karikim, përdorni vetëm karikuesin e dhënë nga kompania prodhuese.
12. Mos mblidhni ndonjë gjë që digjet apo është e ndezur, si cigaret, shkrepsët apo hiri i nxehtë.
13. Mos e përdorni pa vendosur qesen e pluhurit dhe/ose filtrat në vend.
14. Mos e karikoni baterinë në ambiente të jashtme.
15. Karikojeni vetëm me karikuesin e specifikuar nga prodhuesi. Karikuesi që është i përshatshëm për një lloj pakete baterie mund të shkaktojë rrezik zjarri kur përdoret me një paketë tjetër baterie.
16. Përdorini veglat elektrike vetëm me paketat e baterisë të përcaktuara në mënyrë specifike. Përdorimi i paketave të tjera të baterisë mund të paraqesë rrezik lëndimi dhe zjarri.
17. Kur paketa e baterisë nuk përdoret, mbajeni larg objekteve të tjera metalike, si kapëset e letrave, monedhat, çelësat, gozhdët, vidat ose objektet e tjera të vogla metalike që mund të bëjnë lidhje nga njëri terminal tek tjetri.
18. Në kushte sforcimi mund të dalë lëng nga bateria; shmangni kontaktin. Nëse aksidentalisht ndodh kontakt, shpëlani me ujë.

19. Mos e përdorni një kuti baterie apo vegël që është e dëmtuar ose e modifikuar. Bateritë e dëmtuara ose të modifikuara mund të shfaqin sjellje të paparashkueshme që rezultojnë në zjarr, shpërthime apo rrezik plagosjeje.
20. Mos e ekspozoni kutinë e baterisë ose veglën në zjarr ose ndaj temperaturave ekstreme. Ekspozimi ndaj zjarrit ose temperaturave mbi 130 °C mund të shkaktojë shpërthim.
21. Ndiqni të gjitha udhëzimet e karikimit dhe mos e karikoni kutinë e baterisë ose veglën jashtë kufijve të temperaturës të specifikuar të udhëzimit. Karikimi i pasaktë ose në temperatura jashtë kufijve të specifikuar mund të dëmtojë baterinë dhe të rrisë rrezikun e zjarrit.

RUAJINI KËTO UDHËZIME.

RREGULLA TË TJERA SIGURIE

Kjo pajisje synohet për përdorim shtëpiak.

1. Lexoni me kujdes këtë manual përdorimi dhe manualin e përdorimit të karikuesit para përdorimit.
2. Mos i mblidhni materialet në vijim:
 - Sendet si cigaret e ndezura apo pluhurin e shkëndijave/metaleve të krijuar nga gërryerja/prerja e metaleve
 - Materialet e djegshme si gazolina, holluesi, vajguri apo boja
 - Materialet shpërthyes si nitroglicerina
 - Materialet e ndezshme si alumini, zinku, magnezi, titani, fosfori apo celuloidi
 - Baltë të njomë, ujë, vaj ose sende të ngjashme
 - Sende të ngurta me cepa të mprehtë si ashkla druri, metale, gurë, xhama, gozhdë, gjilpëra ose brisqe
 - Pluhur që mpikset si cimento apo toner
 - Pluhur përcjellës si metal apo karbon
 - Grimca të imëta si pluhur betoni
3. Ndalon menjëherë punën nëse vini re diçka jonormale.
4. Nëse pastruesi ju rrëzohet ose goditet, kontrolloni me kujdes për plasaritje ose dëmtim para përdorimit.
5. Mos e afroni me sobat apo burime të tjera nxehtësie.
6. Mos e bllokoni vrimën e hyrjes së ajrit apo vrimat e ventilimit.

RUAJINI KËTO UDHËZIME.

Udhëzime të rëndësishme rreth sigurisë për kutinë e baterisë

1. Përpara se ta përdorni kutinë e baterisë, lexoni të gjitha udhëzimet dhe shënimet e masave parandaluese të (1) ngarkuesi i baterisë, (2) bateria dhe (3) produkti që përdor baterinë.
2. Mos e hiqni kutinë e baterisë.

3. Nëse koha e përdorimit është shkurtuar jashtë mase, ndalojeni punën menjëherë. Kjo mund të rezultojë në rrezik mbinxheje, djegie të mundshme, madje edhe shpërthim.
4. Nëse ju futen elektrolite në sy, shpëlajini sytë me ujë të pastër dhe kërkoni ndihmë mjekësore menjëherë. Kjo gjë mund të rezultojë në humbje të shikimit.
5. Mos bëni lidhje të shkurtër me kutinë e baterisë:
 - (1) Mos i prekni terminalët me materiale përcjellëse.
 - (2) Shmangni ruajtjen e kutisë së baterisë në një kuti me objekte të tjera metalike, si gozhdë, monedha etj.
 - (3) Mos e ekspozoni kutinë e baterisë në ujë ose shi.

Qarku i shkurtër i baterisë mund të shkaktojë qarkullim të madh të rrymës elektrike, mbinxheje, djegie të mundshme dhe madje prishje.

6. Mos e ruani pajisjen dhe kutinë e baterisë në vende ku temperatura mund të arrijë ose tejkalojë 50 °C.
7. Mos e digjni kutinë e baterisë, edhe nëse është shumë e dëmtuar ose është konsumuar plotësisht. Kutia e baterisë mund të shpërthejë në zjarr.
8. Bëni kujdes që të mos e rrëzoni ose ta godisni baterinë.
9. Mos përdorni bateri të dëmtuar.
10. Bateritë e përfshira të litiumit, u nënshtrohen kërkesave të legjislacionit për mallrat e rrezikshme.

Për transport tregtar p.sh. nga palë të treta, agjentë të ndërmjetëm, duhet të ndiqni kërkesa specifike mbi paketimin dhe etiketimin.

Për përgatitjen e artikullit për transport, është i nevojshëm konsultimi i një eksperti për materiale të rrezikshme. Ju lutemi, ndiqni gjithashtu rregulloret me gjasë më të detajuara vendore. Mbuloni me ngjitime ose maskoni kontaktet e zhveshura dhe paketojeni baterinë në mënyrë të tillë që të mos lëvizë në paketim.

11. Kur hidhni kutinë e baterisë, hiqeni nga vegla dhe hidhni në një vend të sigurt. Zbatoni rregulloret lokale rreth hedhjes së baterisë.
12. Përdorini bateritë vetëm me produktet e specifikuar nga Makita. Instalimi i baterive në produkte të papajtueshme mund të rezultojë në zjarr, nxehtësi të lartë, shpërthim ose rrjedhje të elektroliteve.
13. Nëse vegla nuk përdoret për një periudhë të gjatë kohe, bateria duhet të hiqet nga vegla.

RUAJINI KËTO UDHËZIME.

▲KUJDES: Përdorni vetëm bateri origjinale Makita. Përdorimi i baterive jo-origjinale Makita ose baterive që mund të jenë modifikuar, mund të rezultojë në marrjen flakë të baterisë, lëndime personale apo dëmtime. Kjo do të anulojë gjithashtu edhe garancinë e Makita-s për veglën e Makita-s dhe ngarkuesin.

Këshilla për të ruajtur jetëgjatësinë maksimale të baterisë

1. Ngarkojeni baterinë përpara se të shkarkohet plotësisht. Gjithmonë ndaloni punën me pajisjen dhe ngarkoni baterinë kur vëreni ulje të fuqisë së pajisjes.
2. Asnjëherë mos e ringarkoni baterinë e ngarkuar plotësisht. Mbingarkimi shkurtor jetëgjatësinë e shërbimit të baterisë.
3. Ngarkojeni baterinë në temperaturën e dhomës në 10 °C - 40 °C. Lëreni kutinë e nxehtë të baterisë të ftohet përpara se ta ngarkoni atë.
4. Ngarkojeni baterinë nëse nuk e përdorni për një kohë të gjatë (mbi gjashtë muaj).

PËRSHKRIMI I PUNËS

▲KUJDES:

- Sigurohuni gjithmonë që vegla të jetë e fikur dhe kutia e baterisë të jetë hequr përpara se ta rregulloni apo t'i kontrolloni funksionet e veglës.
- Bëni kujdes të mos ju ngecin gishtat midis pastruesit dhe baterisë, si në skemë, kur të ngarkoni baterinë. Nëse ju ngecin gishtat mund të lëndoheni.

► Fig.1

Instalimi ose heqja e kutisë së baterisë

► Fig.2: 1. Treguesi i kuq 2. Butoni 3. Kutia e baterisë

▲KUJDES:

- Fikeni gjithmonë veglën përpara se të instaloni ose hiqni kutinë e baterisë.
- **Mbajeni fort veglën dhe kutinë e baterisë kur vendosni ose hiqni kutinë e baterisë.** Mosmbajtja fort e veglës dhe kutisë së baterisë mund të bëjë që ato t'ju rrëshqasin nga duart dhe të sjellë dëmtimin e veglës dhe të kutisë së baterisë, si dhe lëndimin e personit.

Për të hequr kutinë e baterisë, rrëshqiteni atë nga vegla ndërsa rrëshqasin butonin në pjesën e përparme të kutisë së baterisë.

Për të vendosur kutinë e baterisë, bashkërenditni gjuhëzën e kutisë së baterisë me kanalën e folesë dhe rrëshqiteni për ta futur. Futeni deri në fund, derisa të kërcasë dhe të bllokohet në vend. Nëse shikoni treguesin e kuq në anën e sipërme të butonit, ajo nuk është bllokuar plotësisht.

▲KUJDES:

- Vendoseni gjithnjë plotësisht kutinë e baterisë derisa treguesi i kuq të mos duket. Nëse jo, ajo mund të bjerë aksidentalisht nga vegla duke ju lënduar ju ose personat pranë.
- Mos e vendosni me forcë kutinë e baterisë. Nëse kutia nuk rrëshqet me lehtësi brenda, ajo nuk është futur siç duhet.

Sistemi i mbrojtjes së baterisë (bateri litiumi e shënuar me yll)

► Fig.3: 1. Shënim me yll

Bateritë e litiumit të shënuara me yll janë të pajisura me një sistem mbrojtjeje. Ky sistem ndërpret automatikisht energjinë në vegël për të zgjatur jetëgjatësinë e baterisë.

Vegla do të ndalojë automatikisht gjatë punës nëse vegla dhe/ose bateria janë vendosur sipas një prej kushteve të mëposhtme:

- I mbingarkuar:
Vegla përdoret në një mënyrë që e bën atë të marrë rrymë të lartë anormale. Në këtë situatë, lëshoni çelësin në vegël dhe ndaloni aplikacionin që shkaktoi mbingarkesën e veglës. Më pas tërhiqni përsëri çelësin për të rifilluar. Nëse vegla nuk ndizet, bateria është e mbinxehur. Në këtë situatë, lëreni baterinë të ftohet përpara se ta tërhiqni përsëri çelësin.
- Tension i ulët i baterisë:
Kapaciteti i mbetur i baterisë është shumë i ulët dhe vegla nuk do të punojë. Në këtë situatë, hiqni dhe ngarkoni baterinë.

Veprimi i ndërrimit

► Fig.4: 1. Këmbëza e çelësit

▲KUJDES:

- Përpara se ta vendosni kutinë e baterisë në vegël, kontrolloni gjithmonë për të parë nëse çelësi është në pozicionin e duhur dhe nëse kthehet në pozicionin "OFF" (fikur) kur lëshohet.

Për ta ndezur veglën, thjesht tërhiqni çelësin. Lëshoni çelësin për ta ndaluar.

Ndezja e llambës

Vetëm për modelin DCL180F

▲KUJDES:

- Mos shikoni asnjëherë drejtpërdrejt te drita. Drita e drejtpërdrejtë shkakton dëmtim të syve.

► Fig.5: 1. Llamba

Tërhiqni këmbëzën e çelësit për të ndezur llambën. Lëshoni këmbëzën e çelësit për ta fikur.

Treguesi i kapacitetit të mbetur të baterive

Vetëm për kuti baterie me llambë

► Fig.6: 1. Llambat treguese 2. Butoni i kontrollit Shtypni butonin e kontrollit në kutinë e baterisë për të treguar kapacitetin e mbetur të baterisë. Llambat treguese ndizen për pak sekonda.

Llambat treguese			Kapaciteti i mbetur
Ndezur	Fikur	Duke pulsuar	
■ ■ ■ ■	□ □ □ □	▬ ▬ ▬ ▬	75% deri 100%
■ ■ ■ □	□ □ □ □	▬ ▬ ▬ ▬	50% deri 75%
■ ■ □ □	□ □ □ □	▬ ▬ ▬ ▬	25% deri 50%
■ □ □ □	□ □ □ □	▬ ▬ ▬ ▬	0% deri 25%
▬ □ □ □	□ □ □ □	▬ ▬ ▬ ▬	Ngarkojeni baterinë.
■ ■ □ □	□ □ □ □	▬ ▬ ▬ ▬	Llambushka mund të ketë keqfunksionuar.

SHËNIM: Në varësi të kushteve të përdorimit dhe të temperaturës së ambientit, treguesi mund të ndryshojë paksa nga kapaciteti aktual.

MONTIMI

▲KUJDES:

- Sigurohuni gjithmonë që vegla të jetë e fikur dhe kutia e baterisë të jetë hequr përpara se të kryeni ndonjë punë në vegël.

Lloji i filtrit

Filtri normal

► Fig.7: 1. Kapsula 2. Parafiltri 3. Filtri

Filtri me performancë të lartë

► Fig.8: 1. Kapsula 2. Filtri me performancë të lartë

Flakja e pluhurit

▲KUJDES:

- Boshatiseni pastruesin para se të mbushet plot ose nëse dobësohet fuqia e thithjes.
- Sigurohuni që të boshatisni edhe pluhurin brenda fshesës. Moskryerja e kësaj mund të shkaktojë bllokimin e filtrit ose dëmtimin e motorit.

Hedhja e pluhurit për filtrin normal

Për të hequr pluhurin që është ngjitur në filtrin në kapsulë, goditeni lehtë kapsulën 4 ose 5 herë me dorë. Tani drejtojeni folenë e thithjes me pamje poshtë, rrotulloni kapsulën në drejtimin e shigjetës në diagram dhe nxirreni kapsulën ngadalë dhe drejt.

► Fig.9: 1. Kapsula 2. Foleja e thithjes

SHËNIM:

- Mund të bjerë pluhur kur hapet kapsula, kështu që sigurohuni të mbani një qese plehrash nën kapsulë.

Hiqni pluhurin e grumbulluar nga brenda kapsulës dhe jashtë parafiltrit.

► **Fig.10:** 1. Parafiltri 2. Kapsula

Rrotullojeni parafiltrin në drejtimin e shigjetës për të liruar buzën e sigurisë nga njësia e fshesës dhe hiqeni parafiltrin.

► **Fig.11:** 1. Parafiltri 2. Buza e sigurisë

Pastroni pluhurin e imët nga parafiltri. Në vijim, hiqni filtrin dhe prekni lehtë për të hequr pluhurin.

► **Fig.12:** 1. Parafiltri 2. Filtri

Hedhja e pluhurit për filtrin me performancë të lartë

Për të hequr pluhurin që është ngjitur në filtrin në kapsulë, goditeni lehtë kapsulën 4 ose 5 herë me dorë. Tani drejtojeni folenë e thithjes me pamje poshtë, rrotulloni kapsulën në drejtimin e shigjetës në diagram dhe nxirreni kapsulën ngadalë dhe drejt.

► **Fig.13:** 1. Kapsula 2. Foleja e thithjes

SHËNIM:

- Mund të bjerë pluhur kur hapet kapsula, kështu që sigurohuni të mbani një qese plehrash nën kapsulë.

Hiqni pluhurin e grumbulluar nga brenda kapsulës dhe jashtë filtrit me performancë të lartë.

► **Fig.14:** 1. Kapsula 2. Filtri me performancë të lartë

Rrotullojeni filtrin me performancë të lartë në drejtimin e shigjetës për të liruar buzën e sigurisë nga njësia e fshesës dhe hiqeni filtrin.

► **Fig.15:** 1. Buza e sigurisë

Pastroni pluhurin e imët dhe goditeni lehtë për të hequr pluhurin nga filtri me performancë të lartë.

Rimontimi

Rimontimi për filtrin normal

Vendoseni filtrin derisa të hyjë tërësisht në pozicion në njësinë e fshesës.

► **Fig.16:** 1. Filtri

SHËNIM:

- Sigurohuni që filtri të vendoset drejt pa u zhveshur nga mbrapa. Nëse filtri vendoset gabim, si në skemë, pluhuri do të hyjë në folenë e motorit dhe do të shkaktojë avari të motorit.

► **Fig.17:** 1. Filtri

Lidhni parafiltrin. Në këtë çast, sigurohuni ta rrotulloni parafiltrin në mënyrë që buza e sigurisë të ngecë mirë në njësinë e fshesës.

► **Fig.18:** 1. Parafiltri

► **Fig.19**

Lidhni kapsulën. Drejtvijoni simbolin O në kapsulë me simbolin O në dorezë dhe rrotulloni fort kapsulën në drejtimin e shigjetës derisa të sigurohet.

► **Fig.20:** 1. Shenja O

► **Fig.21:** 1. Doreza 2. Kapsula

SHËNIM:

- Hiqeni pluhurin gjithmonë përpara pune, pasi fuqia e thithjes do të bjerë nëse ka shumë pluhur në fshesë.
- Sigurohuni gjithmonë të kontrolloni nëse filtri dhe parafiltri janë ngarkuar siç duhet përpara se të përdorni fshesën. Nëse nuk janë ngarkuar siç duhet, filtri do të futet në folenë e motorit dhe do të shkaktojë avari të motorit. Nëse ndodhin shembujt e mëposhtëm, filtri dhe parafiltri nuk janë ngarkuar siç duhet. Ringarkojini siç duhet për të ndrequr problemin.

Shembuj të problemeve

Shembull 1: Është ngarkuar vetëm parafiltri (pa filtër)

► **Fig.22:** 1. Parafiltri

Shembull 2: Është ngarkuar vetëm filtri (pa parafiltër)

► **Fig.23:** 1. Filtri

Shembull 3: Filtri është ngarkuar në gjendje të zhveshur

► **Fig.24:** 1. Filtri

Shembull 4: Buza e sigurisë e parafiltrit nuk ka ngecur mirë në kanalën e folesë së fshesës

► **Fig.25:** 1. Kanali i folesë së fshesës 2. Parafiltri 3. Buza e sigurisë

Rimontimi për filtrin me performancë të lartë

Lidhni filtrin me performancë të lartë. Në këtë çast, sigurohuni ta rrotulloni filtrin me performancë të lartë në mënyrë që buza e sigurisë të ngecë mirë në njësinë e fshesës.

► **Fig.26:** 1. Filtri me performancë të lartë 2. Buza e sigurisë

► **Fig.27:** 1. Buza e sigurisë

Lidhni kapsulën. Drejtvijoni simbolin O në kapsulë me simbolin O në dorezë dhe rrotulloni fort kapsulën në drejtimin e shigjetës derisa të sigurohet.

► **Fig.28:** 1. Shenja O

► **Fig.29:** 1. Doreza 2. Kapsula

SHËNIM:

- Hiqeni pluhurin gjithmonë përpara pune, pasi fuqia e thithjes do të bjerë nëse ka shumë pluhur në fshesë.
- Sigurohuni gjithmonë të kontrolloni nëse filtri me performancë të lartë është ngarkuar siç duhet përpara se të përdorni fshesën. Nëse nuk janë ngarkuar siç duhet, filtri do të futet në folenë e motorit dhe do të shkaktojë avari të motorit. Nëse ndodhin shembujt e mëposhtëm, filtri me performancë të lartë nuk është ngarkuar siç duhet. Ringarkojini siç duhet për të ndrequr problemin.

Shembuj të problemeve

Buza e sigurisë e filtrit me performancë të lartë nuk është kyçur mirë në kanalën e folesë së fshesës.

► **Fig.30:** 1. Buza e sigurisë 2. Kanali i folesë së fshesës

PËRDORIMI

▲KUJDES:

- Për të lidhur shtojcat, si hundëza, rrotullojeni dhe futeni shtojcën në drejtimin e shigjetës për të garantuar lidhje të sigurt gjatë përdorimit. Për të shkëputur shtojcën, rrotullojeni dhe hiqeni njësoj në drejtimin e shigjetës. Nëse shtojca rrotullohet në drejtimin e kundërt kur lidhet apo shkëputet, kapsula mund të lirohet.

► Fig.31: 1. Kapsula

Pastrimi (Thithja)

Hundëza

Bashkoni hundëzën për të pastruar tavolina, tryeza, mobilie etj. Hundëza vendoset lehtësisht.

► Fig.32: 1. Hundëza

Hundëza + Shkopi zgjatues (Tubi i drejtë)

Shkopi zgjatues vendoset ndërmjet hundëzës dhe pastruesit. Kjo vendosje është e volitshme për pastrimin e dyshemesë duke qëndruar në këmbë.

► Fig.33: 1. Trupi i pastruesit 2. Shkop zgjatues 3. Hundëza

Hundëza me kënd

Vendosni hundëzën me kënd për pastrimin e këndeve dhe qoshet e një makine apo mobilieje.

► Fig.34: 1. Hundëza me kënd 2. Trupi i pastruesit

Hundëza me kënd + Shkopi zgjatues (Tubi i drejtë)

Në kënde të ngushta ku nuk mund të futet pastruesi ose në vende të vështira për t'u arritur, përdorni këtë mënyrë.

► Fig.35: 1. Hundëza me kënd 2. Shkop zgjatues 3. Trupi i pastruesit

Pastrimi pa hundëz

Mund të pastroni pluhurin pa përdorur hundëzën.

► Fig.36

MIRËMBAJTJA

▲KUJDES:

- Sigurohuni gjithnjë që vegla të jetë fikur dhe të jetë hequr nga korrenti përpara se të kryeni inspektimin apo mirëmbajtjen.

Pastrimi

VINI RE: Mos përdorni kurrë benzinë, benzinë pastrimi, hollues, alkoool dhe të ngjashme. Mund të shkaktoni çngjyrosje, deformime ose krisje.

VINI RE: Mos e fryni pluhurin që është ngjitur në pastrues dhe filtra me kompresor me ajër. Kjo do të fusë pluhurin në fole dhe do të shkaktojë avari.

VINI RE: Pas larjes së filtrave, thajini ata plotësisht përpara përdorimit. Filtrat e patharë mirë mund të shkaktojnë thithje të dobët dhe të shkurtojë jetëgjatësinë e shërbimit të motorit.

VINI RE: Pas pastrimit të filtrave dhe filtrit prej sfungjeri, sigurohuni që t'i riinstalononi ata përpara përdorimit. Nëse e përdorni pastruesin pa filtrat dhe filtrin prej sfungjeri, në fole të motorit futet pluhur dhe shkakton avari.

Trupi i pastruesit

Herë pas here fshijeni pjesën e jashtme (trupin e pastruesit) të pastruesit duke përdorur një leckë të njomur me ujë me sapun. Pastroni gjithashtu grykën e thithjes dhe zonën e montimit të filtrit.

► Fig.37

Filtri

Lajeni filtrin me ujë me sapun kur bllokohet me pluhur dhe bie fuqia e pastruesit. Thajeni plotësisht para përdorimit.

► Fig.38

Filtri prej sfungjeri

Kur filtri i sfungjerit ndotet, pastrojeni atë si vijon.

- Hiqni filtrin.
 - Nxirrni filtrin prej sfungjeri nga mes shtyllave.
 - Pastroni filtrin prej sfungjeri duke e goditur ose duke e larë. Nëse e lani, thajeni atë plotësisht para përdorimit.
 - Futni filtrin prej sfungjeri nga mes shtyllave dhe vendoseni në pozicionin fillestar. Sigurohuni që çdo fund i poshtëm i shtyllës të mbajë filtrin prej sfungjeri dhe që të mos ketë hapësirë mes filtrit prej sfungjeri dhe grykës së thithjes.
- Fig.39: 1. Filtri prej sfungjeri 2. Fundi i poshtëm i shtyllës

Kllapa e murit për pastruesin me bateri

Aksesorë opsionalë

SHËNIM: Nuk përfshihet vida për të montuar mbajtësin. Përgatitni një vidë që përshatet për materialin në të cilin do të vidhohet.

Bashkoni kllapën e murit për pastruesin me bateri në një mur me dru të fortë, tra ose kolonë, ku kllapa e murit për pastruesin me bateri mund të fiksohet mirë. Gjithmonë sigurohuni që kllapa e murit për pastruesin me bateri të jetë fiksuar mirë përpara se të varni pastruesin.

► Fig.40: 1. Kllapa e murit për pastruesin me bateri

▲KUJDES: Mos e varni pastruesin në kllapën e murit me dhunë ose mos varni pajisje të tjera përveç pastruesit.

Çfarë të kontrolloni përpara se të kërkontë riparim

Simptoma	Zonë për t'u kontrolluar	Mënyra e rregullimit
Fuqi thithëse e dobët	<ul style="list-style-type: none">• A është kapsula plot me pluhur?• A është bllokuar filtri?• A ka shteruar bateria?	<ul style="list-style-type: none">• Boshatisni pluhurin nga kapsula.• Fshini ose lani filtrin.• Ringarkoni baterinë.
Nuk funksionon	<ul style="list-style-type: none">• A ka shteruar bateria?	<ul style="list-style-type: none">• Ringarkoni baterinë.

SHËNIM:

- Mos u përipiqi ta riparoni vetë pastruesin.

Për të ruajtur SIGURINË dhe QËNDRUESHMËRINË, riparimet dhe çdo mirëmbajtje apo rregullim tjetër duhen kryer nga qendrat e autorizuar të shërbimit të Makita-s, duke përdorur gjithnjë pjesë këmbimi të Makita-s.

AKSESORË OPSIONALE

⚠️KUJDES:

- Këta aksesore ose shtojca rekomandohen për përdorim me veglën Makita të përcaktuar në këtë manual. Përdorimi i aksesoreve apo shtojcave të tjera ndryshe nga këto mund të përbëjë rrezik lëndimi. Aksesoret ose shtojcat përdorini vetëm për qëllimin e tyre të përcaktuar.

Nëse keni nevojë për më shumë të dhëna në lidhje me aksesoret, pyesni qendrën vendore të shërbimit të Makita-s.

- Shkopi zgjatues (Tubi i drejtë)
- Hundëza
- Hundëza për tapete
- Furçë rafti
- Hundëza me kënd
- Furça e rumbullakët
- Tubi fleksibël
- Filtri
- Parafiltri
- Filtri me performancë të lartë
- Kllapa e murit për pastruesin me bateri
- Aksesori Cyclone
- Bateri dhe ngarkues origjinal Makita

SHËNIM:

- Disa artikuj të listës mund të përfshihen në paketën e veglës si aksesore standardë. Ato mund të ndryshojnë nga njëri shtet në tjetrin.

Aksesori Cyclone

- **Fig.41:** 1. Tubi i drejtë 2. Aksesori Cyclone 3. Foleja e thithjes

Rreth aksesorit Cyclone

Përdorimi i fshesës me aksesoren Cyclone të vendosur redukton sasinë e pluhurit që hyn në kapsulë, gjë që ndihmon në parandalimin e dobësimit të forcës së thithjes. Gjithashtu, edhe pastrimi pas përdorimit është i thjeshtë.

⚠️KUJDES: Sigurohuni gjithmonë që vegla të jetë e fikur dhe kutia e baterisë të jetë hequr përpara se të kryeni ndonjë punë në vegël. Nëse kutia e baterisë lihet e futur, fshesa mund të nisët papritur dhe të rezultojë në lëndim.

⚠️KUJDES: Pastrojeni filtrin rrjetë të aksesorit Cyclone dhe filtrat e njësisë së fshesës kur ato bllokohen. Vazhdimi i përdorimit në gjendje të bllokuar mund të rezultojë në nxehtësi ose tym.

VINI RE: Kur aksesori Cyclone është i vendosur, mos e përdorni fshesën në pozicion horizontal ose lart. Nëse veproni kështu mund të bëni që filtri prej rrjete të bllokohet.

VINI RE: Gjithmonë përdoreni fshesën me filtrat të vendosur, edhe kur përdorni aksesoren Cyclone. Përdorimi i fshesës pa filtrat mund të rezultojë në keqfunksionim të motorit.

SHËNIM: Kontrolloni që aksesori Cyclone, fshesa dhe tubi i drejtë të jenë kyçur mirë përpara përdorimit.

SHËNIM: Zbrazeni kutinë e pluhurit të aksesorit Cyclone dhe kapsulën e fshesës kur është grumbulluar pluhur. Vazhdimi i përdorimit do të rezultojë në forcë të dobësuar thithjeje.

Flakja e pluhurit

Kur është grumbulluar pluhur deri në vijën plot të kutisë së pluhurit, ndiqni procedurën më poshtë dhe hidhjeni pluhurin.

1. Mbajeni kutinë e pluhurit fort, shtypni dhe mbani shtypur dy butonat, dhe hiqni kutinë e pluhurit.
► **Fig.42:** 1. Vija plot 2. Kutia e pluhurit 3. Butoni (dy vendndodhje) 4. Filtri rrjetë
2. Hidhjeni pluhurin brenda kutisë së pluhurit dhe hiqni çdo pluhur të ngjitur në sipërfaqen e filtrit rrjetë.
3. Futeni kutinë e pluhurit deri në fund derisa dy butonat të kyçen në vend me një kërcitje të lehtë.
► **Fig.43:** 1. Kutia e pluhurit 2. Butoni (dy vendndodhje)

SHËNIM: Kontrolloni që aksesori Cyclone, fshesa dhe tubi i drejtë të jenë lidhur mirë përpara rinisjes së përdorimit.

SHËNIM: Nëse forca e thithjes nuk rikuperohet pas hedhjes së pluhurit dhe pastrimit të filtrit rrjetë, kontrolloni nëse në kapsulë është grumbulluar pluhur nga fshesa ose nëse ka bllokim.

Pastrimi

Kur kutia e pluhurit ndotet ose filtri rrjetë bllokohet, hiqini dhe lajini ato me ujë. (Referojuni "Flakja e pluhurit" për procedurën e heqjes.)

Thajini pjesët plotësisht përpara rivendosjes dhe përdorimit.

► **Fig.44:** 1. Kutia e pluhurit 2. Filtri rrjetë

Kur filtri rrjetë ndotet shumë, pastrojini atë sipas procedurave të mëposhtme.

1. Rrotullojeni filtrin rrjetë në drejtim të kundër të akrepave të orës dhe hiqeni derisa grepat të shkyçen.

► **Fig.45:** 1. Filtri rrjetë 2. Grep

2. Hiqeni pluhurin nga filtri rrjetë dhe më pas lajeni me ujë. Pas kësaj, thajeni plotësisht.

3. Futeni filtrin rrjetë në bazë duke pasur grepat të bashkërenditur me portën. Rrotullojeni filtrin rrjetë në drejtim të akrepave të orës derisa grepat të kyçen me një kërcitje të lehtë. Sigurohuni që filtri rrjetë të jetë vendosur mirë.

► **Fig.46:** 1. Filtri rrjetë 2. Grep 3. Porta

ПРЕДУПРЕЖДЕНИЕ

Този уред може да се използва от деца на възраст от 8 или повече години и от хора с намалени физически, сетивни или умствени възможности, или без опит и знания, ако те са под надзор или са били обучени относно безопасното използване на уреда и разбират възможните опасности. Децата не трябва да си играят с уреда. Почистването и техническото обслужване от потребителя не трябва да се извършват от деца без надзор.

СПЕЦИФИКАЦИИ

Модел	DCL140	DCL180	DCL180F
Капацитет	650 мл		
Непрекъснат режим на работа	Прибл. 20 мин		
Обща дължина	981 мм	999 мм	
Нето тегло	1,2 - 1,4 кг	1,2 - 1,5 кг	1,3 - 1,6 кг
Номинално напрежение	Постоянно напрежение 14,4 V		Постоянно напрежение 18 V

- Поради нашата непрекъсната научно-развойна дейност посочените тук спецификации могат да бъдат променени без предизвестие.
- Спецификациите може да са различни в различните държави.
- В теглото не са включени принадлежностите, а само акумулаторната/ите батерия/и. В таблицата са показани най-леката и най-тежката комбинации за тегло на уреда и акумулаторната/ите батерия/и.

Приложима акумулаторна батерия и зарядно устройство

Акумулаторна батерия	Модел за постоянно напрежение 14,4 V	BL1415N / BL1430 / BL1430B / BL1440 / BL1450 / BL1460B
	Модел за постоянно напрежение 18 V	BL1815N / BL1820 / BL1820B / BL1830 / BL1830B / BL1840 / BL1840B / BL1850 / BL1850B / BL1860B
Зарядно устройство		DC18RC / DC18RD / DC18RE / DC18SD / DC18SE / DC18SF / DC18SH

- Някои от акумулаторните батерии и зарядните устройства, посочени по-горе, може да не са налични в зависимост от региона на местоживеене.

▲ ПРЕДУПРЕЖДЕНИЕ: Използвайте само посочените по-горе акумулаторни батерии и зарядни устройства. Използването на други акумулаторни батерии и зарядни устройства може да причини нараняване и/или пожар.

Символи

По-долу са описани символите, които може да се използват за тази машина. Задължително е да се запознаете с техните значения, преди да пристъпите към работа.



Прочетете ръководството за експлоатация.



Само за страни от ЕС

Не извършвайте електрооборудване или акумулаторни батерии с битовите отпадъци! При спазване на Европейската директива относно отпадъците от електрическо и електронно оборудване и директивата относно батерии и акумулатори и отпадъци от батерии и акумулатори и приложението им съгласно националното законодателство, бракуваното електрическо оборудване и батерии и пакет(и) батерии трябва да се събират отделно и да се връщат в места за рециклиране, съобразени с изискванията за опазване на околната среда.

Предназначение

Уредът е предназначен за събиране на сух прах.

Предупреждения за безопасност за акумулаторната прахосмукачка

▲ ПРЕДУПРЕЖДЕНИЕ: ВАЖНО, ПРОЧЕТЕТЕ ВНИМАТЕЛНО всички предупреждения за безопасност и всички инструкции **ПРЕДИ РАБОТА**. При пренебрегване на предупрежденията и инструкциите има опасност от токов удар, пожар и/или тежко нараняване.

1. **Пазете машината от дъжд. Съхранявайте я вътре в помещението.**
2. **Не разрешавайте да се използва като играчка. Изисква се повишено внимание, когато се използва от или покрай деца.**
3. **Да се използва само в съответствие с описанието в ръководството. Да се използват само аксесоари, препоръчани от производителя.**
4. **Да не се използва с повредени акумулаторни батерии. Ако уредът не работи нормално, бил е изпуснат, повреден, оставен на открито или е паднал в близост до вода, изпратете го в център за обслужване.**
5. **Не пипайте уреда с мокри ръце.**
6. **Не поставяйте никакви предмети в отворите. Не го използвайте, когато има запушени отвори; пазете го от прах, конци, коса и всичко, което може да пречи на въздушния поток.**
7. **Дръжте косата си, свободното облекло, пръстите и останалите части от тялото далече от отвори и движещи се части.**
8. **Изключете всички органи за управление, преди да извадите акумулаторната батерия.**
9. **При почистване на стълби бъдете особено внимателни.**
10. **Не използвайте за събиране на възпламеними или горими течности като бензин или в места, където може да има такива материали.**
11. **За зареждане използвайте само зарядното устройство, доставено от производителя.**
12. **Не събирайте неща, които горят или пушат като цигари, кибритени клечки или гореща пепел.**
13. **Не използвайте без поставена торба за прах и/или филтри.**
14. **Не зареждайте акумулаторната батерия на открито.**
15. **Презареждайте само със зарядното устройство, което е посочено от производителя. Зарядно устройство, което е подходящо за едни акумулаторни батерии, може да създаде риск от пожар, ако се използва с други акумулаторни батерии.**
16. **Използвайте електрическите инструменти само с акумулаторни батерии, конкретно предназначени за тях. Използването на други акумулаторни батерии може да създаде риск от нараняване и пожар.**

17. **Когато акумулаторният пакет не се използва, дръжте го далеч от други метални предмети като кламери, монети, ключове, пирони, винтове или други дребни метални предмети, които могат да дадат накъсо двете клеми.**
18. **При грубо манипулиране е възможно изхвърляне на течност от батериите; избягвайте контакт с тях. При случайно докосване изплакнете с вода.**
19. **Не използвайте батерията или инструмента, който е повреден или променен. Повредените или променените батерии могат да проявяват непредвидимо поведение, което може да доведе до пожар, експлозия или опасност от нараняване.**
20. **Не излагайте батерията или инструмента на огън или прекомерна температура. Излагането на огън или температура над 130°C може да доведе до експлозия.**
21. **Спазвайте всички инструкции за зареждане и не зареждайте батерията или инструмента извън диапазона на температура, посочен в инструкциите. Неправилното зареждане или при температура извън посочения диапазон може да доведе до повреда на батерията и да повиши опасността от пожар.**

ЗАПАЗЕТЕ НАСТОЯЩИТЕ ИНСТРУКЦИИ.

ДОПЪЛНИТЕЛНИ ПРАВИЛА ЗА БЕЗОПАСНОСТ

Този уред е за домакински цели.

1. **Преди работа прочетете ръководството за експлоатация и ръководството за зарядното устройство.**
2. **Не събирайте с машината следните материали:**
 - Горещи предмети като запалени цигари или искри/стърготини от метал, получавани при шлифоване/рязане на метал
 - Запалими материали като бензин, разредител, бензол, керосин или боя
 - Взривни материали като нитроглицерин
 - Възпламеними материали като алуминий, цинк, магнезий, титан, фосфор или целулоид
 - Мокра кал, вода, масло и подобни
 - Твърди парчета с остри ъгли като стружки, метали, камъни, стъкло, пирони, карфици и ножчета за бръснене
 - Буци от втвърден прах – цимент или тонер
 - Токопроводящ прах като от метал или въглерод
 - Фини частици като прах от бетонТакива действия могат да предизвикат пожар, нараняване и/или щети на имущество.

3. Незабавно прекратете работа, ако забележите нещо необичайно.
4. Ако изпуснете или ударите прахосмукачката, внимателно я проверете за пукнатини или повреди, преди да работите с нея.
5. Не я използвайте близо до печки или други източници на топлина.
6. Не запущвайте отворите за засмукване или за вентилация.

ЗАПАЗЕТЕ НАСТОЯЩИТЕ ИНСТРУКЦИИ.

Важни инструкции за безопасност за акумулаторната батерия

1. Преди да използвате акумулаторната батерия, прочетете всички инструкции и предупредителни маркировки на (1) зарядното устройство за батериите, (2) за батериите и (3) за използвания батериите продукт.
2. Не разглобявайте акумулаторните батерии.
3. Ако мощността на машината намалее много, веднага спрете да работите. Това може да доведе до риск от прегряване, до възможни изгаряния и даже до експлозии.
4. Ако в очите ви попадне електролит, изплакнете ги с чиста вода и веднага потърсете лекарска помощ. Това може да доведе до загуба на зрението ви.
5. Не давайте на късо акумулаторните батерии:
 - (1) Не докосвайте клемите с проводими материали.
 - (2) Избягвайте съхраняването на акумулаторните батерии в контейнер с други метални предмети като пирони, монети и други подобни.
 - (3) Не излагайте акумулаторните батерии на вода или дъжд.

Закъсяването на акумулаторна батерия може да доведе до протичане на много силен ток, до прегряване, до възможни изгаряния и даже до разпадане на батерията.

6. Не съхранявайте инструмента и акумулаторните батерии на места, където температурата може да достигне или надмине 50 °C (122 °F).
7. Не изгаряйте акумулаторните батерии даже и ако те са сериозно повредени или напълно износени. Акумулаторната батерия може да експлодира в огън.
8. Внимавайте да не изпускате или удярате акумулаторната батерия.
9. Не използвайте повредени акумулаторни батерии.
10. Съдържащите се литиево-йонни акумулаторни батерии са обект на изискванията на законодателството за опасни стоки.
При търговски превози, напр. от трети страни, следители, трябва да се спазват специални изисквания за опаковане и етикетирание.
За подготовка на артикула, който трябва да бъде изпратен, е необходима консултация с експерт по опасните материали. Моля, спазвайте и евентуално по-подробните национални разпоредби.

Залепете с лента или покрийте откритите контакти и опаковайте акумулаторната батерия по такъв начин, че да не може да се премества в опаковката.

11. При изхвърляне на акумулаторната батерия я извадете от инструмента и я изхвърлете на подходящо място. Спазвайте местните разпоредби за изхвърляне на акумулаторни батерии.
12. Използвайте батериите само с продуктите, определени от Makita. Поставянето на батериите към неодобрени продукти може да предизвика пожар, прегряване, взрив или изтичане на електролит.
13. Ако инструментът няма да се използва продължително време, батерията трябва да се извади от него.

ЗАПАЗЕТЕ НАСТОЯЩИТЕ ИНСТРУКЦИИ.

▲ВНИМАНИЕ: Използвайте само оригинални акумулаторни батерии на Makita. При използване на различни от акумулаторните батерии на Makita или стари акумулаторни батерии може да се получи пръскане на акумулаторната батерия, което да доведе до пожар, нараняване или повреда. Това също ще анулира гаранцията на Makita за инструмента и зарядното устройство Makita.

Съвети за поддържане на максимално дълъг живот на акумулаторните батерии

1. Зареждайте акумулаторните батерии, преди те да са се разреждали напълно. Когато забележите, че мощността на инструмента намалява, винаги спирайте работата с инструмента и заредете акумулаторната батерия.
2. Никога не презареждайте напълно заредена акумулаторна батерия. Презарядът скъсява експлоатационния живот на батерията.
3. Зареждайте акумулаторната батерия при стайна температура от 10 °C – 40 °C (50 °F – 104 °F). Оставете заретите акумулаторни батерии да се охладят, преди да ги заредите.
4. Заредете акумулаторната батерия, ако не сте го използвали дълъг период от време (повече от шест месеца).

ФУНКЦИОНАЛНО ОПИСАНИЕ

⚠ ВНИМАНИЕ:

- Преди да регулирате или проверявате работата на инструмента, задължително проверете дали той е изключен и акумулаторната батерия е извадена.
- Внимавайте да не прищипете пръстите си между прахосмукачката и батерията, както е показано на фигурата, когато зареждате батерията. Прищипването на пръсти може да предизвика нараняване.

► Фиг.1

Поставяне и изваждане на акумулаторната батерия

► Фиг.2: 1. Червен индикатор 2. Бутон 3. Акумулатор

⚠ ВНИМАНИЕ:

- Винаги изключвайте инструмента преди поставяне или изваждане на батерията.
- **При инсталиране или изваждане на акумулатора хванете здраво инструмента и акумулатора.** Ако не успеете здраво да задържите инструмента и акумулатора, те могат да се изплъзнат от ръцете ви, което да доведе до повреждане на инструмента, акумулатора или нараняване.

За да извадите акумулаторната батерия, приплъзнете я извън инструмента, плъзгайки същевременно бутон в предната част на батерията.

За да поставите акумулатора, изравнете езичето на акумулатора с жлеба в корпуса и го плъзнете на мястото му. Вмъкнете го докрай, докато ключалката го задържи на място с малко прищракване. В случай, че виждате червения индикатор в горната част на бутон, това означава, че той не е заключен напълно.

⚠ ВНИМАНИЕ:

- Винаги вмъквайте акумулатора докрай, така че червеният индикатор да се скрие. В противен случай, той може неволно да изпадне, което може да нарани вас или някого около вас.
- Не инсталирайте акумулатора със сила. Ако акумулаторът не се движи свободно, той не е бил поставен правилно.

Система за предпазване на батерията (литиево-йонна батерия, обозначена със звезда)

► Фиг.3: 1. Маркировка звезда

Литиево-йонните батерии, обозначени със звезда са снабдени със система за предпазване. Тази система автоматично прекъсва захранването на инструмента за да осигури по-дълъг живот на батерията.

Инструментът ще спре автоматично по време на работа, ако инструментът и/или батерията са поставени при едно от следните условия:

- Претоварване:
Инструментът се използва по начин, който налага използването на наднормен ток. При това положение, отпуснете спусъка на прекъсвача на инструмента и спрете операцията, която претоварва инструмента. Натиснете спусъка отново за да действат наново.
Ако инструментът не стартира отново, батерията е прегряла. При това положение, оставете батерията да изстине и натиснете спусъка на прекъсвача отново.
- Ниско напрежение на батерията:
Оставащият в батерията капацитет е твърде малък, за да може да осигури работа на инструмента. При такъв случай, извадете и заредете батерията.

Включване

► Фиг.4: 1. Пусков прекъсвач

⚠ ВНИМАНИЕ:

- Преди да поставите батерията в инструмента, винаги проверявайте дали пусковият прекъсвач работи нормално и се връща в положение "OFF" (Изкл. при отпускането му).

За да включите инструмента, само натиснете спусъка на прекъсвача. За спиране отпуснете спусъка на прекъсвача.

Включване на лампата

Само за модел DCL180F

⚠ ВНИМАНИЕ:

- Никога не гледайте директно към светлината. Директната светлина може да увреди очите Ви.

► Фиг.5: 1. Лампа

Натиснете пусковия прекъсвач, за да включите лампата. За изключване отпуснете пусковия прекъсвач.

Индикация на оставащия капацитет на акумулаторната батерия

Само за акумулаторни батерии с индикатор

► Фиг.6: 1. Светлинни индикатори 2. Бутон за проверка

Натиснете бутон за проверка на акумулаторната батерия за показване на оставащия заряд на батерията. Светлинните индикатори ще светнат за няколко секунди.

Светлинни индикатори			Оставащ заряд на батерията
Свети	Изкл.	Мига	
			75% до 100%
			50% до 75%
			25% до 50%
			0% до 25%
			Заредете батерията.
			Батерията може да не работи правилно.

ЗАБЕЛЕЖКА: В зависимост от условията на употреба и околната температура е възможно показанията леко да се различават от действителния капацитет.

СГЛОБЯВАНЕ

⚠ АВАНИМАНИЕ:

- Преди да извършите някакви дейности по инструмента задължително проверете дали той е изключен и акумулаторната батерия е извадена.

Тип на филтъра

Нормален филтър

- **Фиг.7:** 1. Капсула 2. Предварителен филтър
3. Филтър

Високопроизводителен филтър

- **Фиг.8:** 1. Капсула 2. Високопроизводителен филтър

Изхвърляне на праха

⚠ АВАНИМАНИЕ:

- Изпразвайте прахосмукачката, преди да се прегълни или да отслабне силата на засмукване.
- Непременно изхвърляйте праха, който е вътре в самата прахосмукачка. Ако това не се прави, филтърът може да се задръсти или моторът може да се повреди.

Изхвърляне на прах за нормален филтър

За отстраняване на праха, прилепнал към филтъра в капсулата, чукнете капсулата 4 или 5 пъти с ръка. Сега насочете смукателния отвор надолу, завъртете капсулата по посока на стрелката на фигурата и отделете капсулата бавно и направо.

- **Фиг.9:** 1. Капсула 2. Отвор за засмукване

ЗАБЕЛЕЖКА:

- При отварянето на капсулата може да се разпилее прах, затова непременно поставете торбичка за боклук под капсулата.

Отстранете натрупания прах от вътрешната страна на капсулата и от предварителния филтър.

- **Фиг.10:** 1. Предварителен филтър 2. Капсула

Завъртете предварителния филтър по посоката на стрелката, за да освободите закрепващото зъбче от прахосмукачката, и след това издърпайте предварителния филтър.

- **Фиг.11:** 1. Предварителен филтър 2. Закрепващо зъбче

Почистете финия прах от предварителния филтър. След това извадете филтъра и го чукнете леко, за да се отдели прахът.

- **Фиг.12:** 1. Предварителен филтър 2. Филтър

Изхвърляне на прах за високопроизводителен филтър

За отстраняване на праха, прилепнал към филтъра в капсулата, чукнете капсулата 4 или 5 пъти с ръка. Сега насочете смукателния отвор надолу, завъртете капсулата по посока на стрелката на фигурата и отделете капсулата бавно и направо.

- **Фиг.13:** 1. Капсула 2. Отвор за засмукване

ЗАБЕЛЕЖКА:

- При отварянето на капсулата може да се разпилее прах, затова непременно поставете торбичка за боклук под капсулата.

Отстранете натрупания прах от вътрешната страна на капсулата и от високопроизводителния филтър.

- **Фиг.14:** 1. Капсула 2. Високопроизводителен филтър

Завъртете високопроизводителния филтър по посоката на стрелката, за да освободите закрепващото зъбче от прахосмукачката, и след това издърпайте филтъра.

- **Фиг.15:** 1. Закрепващо зъбче

Почистете финия прах и чукнете леко, за да се отдели прахът от високопроизводителния филтър.

Повторен монтаж

Повторен монтаж на нормален филтър

Поставете филтъра, докато не застане докрай на мястото си в прахосмукачката.

- **Фиг.16:** 1. Филтър

ЗАБЕЛЕЖКА:

- Уверете се, че филтърът е поставен в право положение, без да се отлепва. Ако филтърът е поставен неправилно, както е показано на фигурата, в гнездото на мотора ще влиза прах и ще предизвика повреждане на мотора.

► **Фиг.17:** 1. Филтър

Свържете предварителния филтър. В този момент непременно завъртете предварителния филтър така, че закрепващото зъбче да бъде заключено здраво в прехосмукачката.

► **Фиг.18:** 1. Предварителен филтър

► **Фиг.19**

Свържете капсулата. Изравнете знака О върху капсулата със символа О върху дръжката и след това здраво завъртете капсулата по посоката на стрелката, докато тя се захване здраво.

► **Фиг.20:** 1. Знак О

► **Фиг.21:** 1. Дръжка 2. Капсула

ЗАБЕЛЕЖКА:

- Винаги отстранявайте праха навреме, защото когато има прекалено много прах в прехосмукачката, смукателната мощност намалява.
- Винаги проверявайте дали филтърът и предварителният филтър са поставени правилно, преди да работите с прехосмукачката. Ако те не са поставени правилно, в корпуса на мотора ще влиза прах и ще предизвика повреждане на мотора. Следващите примери показват, че филтърът и предварителният филтър не са поставени правилно. За отстраняване на проблема ги поставете правилно.

Примери за проблеми

Пример 1: Поставен е само предварителният филтър (няма филтър)

► **Фиг.22:** 1. Предварителен филтър

Пример 2: Поставен е само филтърът (няма предварителен филтър)

► **Фиг.23:** 1. Филтър

Пример 3: Филтърът е поставен в наклонено положение

► **Фиг.24:** 1. Филтър

Пример 4: Закрепващото зъбче на предварителния филтър не е фиксирано здраво в отвора на корпуса на прехосмукачката

► **Фиг.25:** 1. Отвор на корпуса на прехосмукачката 2. Предварителен филтър 3. Закрепващо зъбче

Повторен монтаж на високопроизводителен филтър

Свържете високопроизводителния филтър. В този момент непременно завъртете високопроизводителния филтър така, че закрепващото зъбче да бъде заключено здраво в прехосмукачката.

► **Фиг.26:** 1. Високопроизводителен филтър 2. Закрепващо зъбче

► **Фиг.27:** 1. Закрепващо зъбче

Свържете капсулата. Изравнете знака О върху капсулата със символа О върху дръжката и след това здраво завъртете капсулата по посоката на стрелката, докато тя се захване здраво.

► **Фиг.28:** 1. Знак О

► **Фиг.29:** 1. Дръжка 2. Капсула

ЗАБЕЛЕЖКА:

- Винаги отстранявайте праха навреме, защото когато има прекалено много прах в прехосмукачката, смукателната мощност намалява.
- Винаги проверявайте дали високопроизводителния филтър е поставен правилно, преди да работите с прехосмукачката. Ако те не са поставени правилно, в корпуса на мотора ще влиза прах и ще предизвика повреждане на мотора. Следващите примери показват, че високопроизводителният филтър не е поставен правилно. За отстраняване на проблема ги поставете правилно.

Примери за проблеми

Закрепващото зъбче на високопроизводителния филтър не е фиксирано здраво в отвора на корпуса на прехосмукачката.

► **Фиг.30:** 1. Закрепващо зъбче 2. Отвор на корпуса на прехосмукачката

РАБОТА

⚠ ВНИМАНИЕ:

- За поставяне на аксесоари, например найкрайник, завъртете аксесоарите по посоката на стрелката и ги напъхайте, за да се гарантира стабилна връзка по време на работа. За сваляне на аксесоарите, завъртете и извадете също така по посоката на стрелката. Ако аксесоарът бъде завъртан в обратната посока при поставяне или изваждане, възможно е и капсулата да се разхлаби.

► **Фиг.31:** 1. Капсула

Чистене (смучене)

Накрайник

Сложете найкрайника за почистване на маси, бюра, мебели и подобни. Този найкрайник се поставя лесно.

► **Фиг.32:** 1. Найкрайник

Накрайник + Удължител (права тръба)

Удължителят пасва между найкрайника и самата прехосмукачка. Тази конфигурация е удобна за почистване на подове от изправено положение.

► **Фиг.33:** 1. Тяло на прехосмукачката 2. Удължител 3. Найкрайник

Ъглов накрайник

Поставяйте ъгловия накрайник за почистване около ъгли и стеснения в коли или мебели.

- **Фиг.34:** 1. Ъглов накрайник 2. Тяло на прахосмукачката

Ъглов накрайник + Удължител (права тръба)

Използвайте тази конфигурация в тесни места, където самата прахосмукачка не влиза, или във високи места, трудни за достигане.

- **Фиг.35:** 1. Ъглов накрайник 2. Удължител 3. Тяло на прахосмукачката

Чистене без накрайник

Можете да събирате прах и прахообразни материали без накрайник.

- **Фиг.36**

ПОДДРЪЖКА

⚠ВНИМАНИЕ:

- Преди да проверявате или извършвате поддръжка на инструмента се уверете, че той е изключен.

Почистване

БЕЛЕЖКА: Не използвайте бензин, нафта, разреждател, спирт и др. подобни. Това може да причини обезцветяване, деформация или пукнатини.

БЕЛЕЖКА: Не издухвайте полепналия по прахосмукачката и филтрите прах с пистолет със сгъстен въздух. Така прахът ще навлезе в корпуса и ще доведе до повреда.

БЕЛЕЖКА: След измиване на филтрите, подсушете ги старателно, преди да ги използвате. Недостатъчно сухи филтри могат да предизвикат влошено засмукване и да намалят експлоатационния живот на мотора.

БЕЛЕЖКА: След почистване на филтрите и филтъра-гъба, не забравяйте да ги монтирате отново преди употреба. Ако използвате прахосмукачката без филтри и филтър-гъба, прахът ще навлезе в корпуса на двигателя и ще причини неизправности.

Корпус на прахосмукачката

Периодично избърсвайте външно прахосмукачката (тялото на прахосмукачката) с кърпа, овлажнена със сапунена вода.

Почиствайте също и отвора за засмукване и монтажната зона на филтъра.

- **Фиг.37**

Филтър

Измивайте филтъра със сапунена вода, ако се задръсти с прах и мощността на прахосмукачката намалее. Преди работа го подсушавайте грижливо.

- **Фиг.38**

Филтър-гъба

Когато филтърът-гъба се замърси, почистете го по следния начин.

1. Отстранете филтъра.
 2. Издърпайте филтъра-гъба от стойката.
 3. Почистете филтъра-гъба, като го изгупате или измиете. Ако го измиете, подсушете го грижливо преди работа.
 4. Вмъкнете филтъра-гъба в стойката и го поставете в началното му положение. Погрижете се долният ръб на стойката да захване филтъра-гъба и да няма луфт между него и смукателния отвор.
- **Фиг.39:** 1. Филтър-гъба 2. Долен ръб на стойката

Стенна поставка за акумулаторна прахосмукачка

Допълнителни аксесоари

ЗАБЕЛЕЖКА: Винтът за монтиране на държача не е включен в комплекта. Подгответе винт, подходящ за материала, в който ще се завинтва.

Закрепете стенната поставка за акумулаторна прахосмукачка към стена от твърдо дърво, греда или колона, където поставката може да бъде монтирана стабилно. Преди да окачите акумулаторната прахосмукачка, винаги се уверявайте, че стенната й поставка е здраво закрепена.

- **Фиг.40:** 1. Стенна поставка за акумулаторна прахосмукачка

⚠ВНИМАНИЕ: Не окачвайте със сила прахосмукачката на поставката и не окачвайте там други уреди.

Какво да проверите, преди да предприемете ремонт

Симптом	Къде трябва да се проверява	Начин за отстраняване
Слаба мощност на засмукване	<ul style="list-style-type: none">• Пълна ли е капсулата с прах?• Задръстен ли е филтърът?• Изтощена ли е батерията?	<ul style="list-style-type: none">• Изпразнете праха от капсулата.• Почистете или измийте филтъра.• Презаредете батерията.
Не работи	<ul style="list-style-type: none">• Изтощена ли е батерията?	<ul style="list-style-type: none">• Презаредете батерията.

ЗАБЕЛЕЖКА:

- Не се опитвайте да ремонтирате прахосмукачката сами.

За да се поддържа БЕЗОПАСНОСТТА и НАДЕЖДНОСТТА на инструмента, ремонтите, обслужването или регулирането трябва да се извършват от упълномощен сервиз на Makita, като се използват резервни части от Makita.

ДОПЪЛНИТЕЛНИ АКСЕСОАРИ

⚠ ВНИМАНИЕ:

- Препоръчва се използването на тези аксесоари или накрайници с вашия инструмент Makita, описан в настоящото ръководство. Използването на други аксесоари или накрайници може да доведе до опасност от телесни наранявания. Използвайте съответния аксесоар или накрайник само по предназначение.

Ако имате нужда от помощ за повече подробности относно тези аксесоари, се обърнете към местния сервизен център на Makita.

- Удължител (права тръба)
- Накрайник
- Накрайник за килим
- Четка за полици
- Ъглов накрайник
- Кръгла четка
- Гъвкав маркуч
- Филтър
- Предварителен филтър
- Високопроизводителен филтър
- Стенна поставка за акумулаторна прахосмукачка
- Накрайник „Циклон“
- Оригинална акумулаторна батерия и зарядно устройство на Makita

ЗАБЕЛЕЖКА:

- Някои артикули от списъка може да са включени в комплекта на инструмента, като стандартни аксесоари. Те може да са различни в различните държави.

Накрайник „Циклон“

- **Фиг.41:** 1. Права тръба 2. Накрайник „Циклон“
3. Смукателен отвор

За накрайника „Циклон“

При използване на прахосмукачката с монтиран накрайник „Циклон“ количеството прах, влизащо в капсулата, намалява, което предотвратява отслабването на силата на всмукване. Заедно с това и почистването след използване е лесно.

⚠ ВНИМАНИЕ: Преди да извършите никакви дейности по инструмента, задължително проверете дали той е изключен и акумулаторната батерия е извадена. Ако акумулаторната батерия е оставена вътре, прахосмукачката може да се задейства неочаквано и да доведе до нараняване.

⚠ ВНИМАНИЕ: Почиствайте мрежестия филтър на накрайника „Циклон“ и филтрите на прахосмукачката, когато се запушат. Продължителната употреба на прахосмукачката, докато те са запущени, може да предизвика заграване или поява на дим.

БЕЛЕЖКА: Когато е поставен накрайника „Циклон“, не използвайте прахосмукачката в хоризонтално положение или обърната нагоре. Ако го направите, мрежестият филтър може да се запуши.

БЕЛЕЖКА: Винаги използвайте прахосмукачката с монтирани филтри дори когато използвате накрайника „Циклон“. Използването на прахосмукачката без монтирани филтри може да доведе до неизправност на мотора.

ЗАБЕЛЕЖКА: Преди да използвате, проверете дали накрайникът „Циклон“, прахосмукачката и правата тръба са заключени правилно.

ЗАБЕЛЕЖКА: Когато се събере прах, изпразнете контейнера за прах на накрайника „Циклон“ и капсулата на прахосмукачката. Продължителната употреба ще доведе до отслабване на силата на засмукване.

Изхвърляне на праха

Когато се събере прах до линията за максимално ниво на контейнера за прах, следвайте процедурата по-долу и изхвърлете праха.

1. Хванете здраво контейнера за прах, натиснете и задръжте двата бутона, извадете контейнера за прах.

► **Фиг.42:** 1. Линия за максимално ниво
2. Контейнер за прах 3. Бутон (две местоположения) 4. Мрежест филтър

2. Отстранявайте праха от контейнера за прах, както и целия прах и пращинките, полепнали по повърхността на мрежестия филтър.

3. Напъхайте контейнера за прах докрай, докато двата бутона се заключат с щракване.

► **Фиг.43:** 1. Контейнер за прах 2. Бутон (две местоположения)

ЗАБЕЛЕЖКА: Преди да започнете отново работа, проверете дали накрайникът „Циклон“, прахосмукачката и правата тръба са свързани стабилно.

ЗАБЕЛЕЖКА: Ако силата на всмукване не се възстанови дори след отстраняването на праха и почистването на мрежестия филтър, проверете дали не се е натрупал прах в капсулата на прахосмукачката или дали няма запушване.

Почистване

Когато контейнерът за прах се замърси или мрежестият филтър се запуши, свалете ги и ги измийте с вода. (Вижте „Изхвърляне на праха“ относно процедурата за сваляне.)

Подсушете щателно частите преди повторното им монтиране и използване.

► **Фиг.44:** 1. Контейнер за прах 2. Мрежест филтър

Когато мрежестият филтър се замърси силно, почистете го чрез следните процедури.

1. Завъртете мрежестия филтър обратно на часовниковата стрелка и го извадете, докато фиксаторите са отключени.

► **Фиг.45:** 1. Мрежест филтър 2. Фиксатор

2. Отстранете праха от мрежестия филтър и след това го измийте с вода. После го подсушете щателно.

3. Поставете мрежестия филтър в основата, докато фиксаторите се подравнят с отвора. Завъртете мрежестия филтър по часовниковата стрелка, докато фиксаторите се заключат с щракване. Уверете се, че мрежестият филтър е монтиран стабилно.

► **Фиг.46:** 1. Мрежест филтър 2. Фиксатор 3. Отвор

UPOZORENJE

Ovaj uređaj mogu koristiti djeca u dobi od 8 i više godina i osobe sa smanjenim fizičkim, osjetilnim ili mentalnim sposobnostima ili s nedovoljnim iskustvom i znanjem ako su pod nadzorom ili dobivaju upute za rukovanje bitne za uporabu uređaja na siguran način i razumiju opasnosti koje s time dolaze. Djeci je zabranjeno igranje uređajem. Djeci je zabranjeno čistiti i provoditi korisničko održavanje bez nadzora.

SPECIFIKACIJE

Model	DCL140	DCL180	DCL180F
Kapacitet	650 ml		
Kontinuirana uporaba	Otprilike 20 min		
Ukupna dužina	981 mm	999 mm	
Neto masa	1,2 - 1,4 kg	1,2 - 1,5 kg	1,3 - 1,6 kg
Nazivni napon	DC 14,4 V		DC 18 V

- Zahvaljujući našem stalnom programu razvoja i istraživanja, navedene specifikacije podložne su promjenama bez obavijesti.
- Specifikacije mogu biti različite ovisno o zemlji.
- Težina ne uključuje dodatni pribor osim baterijskih uložaka. U tablici su prikazane najveća i najmanja ukupna težina uređaja i baterijskih uložaka.

Odgovarajući baterijski uložak i punjač

Baterija	Model D.C.14,4 V	BL1415N / BL1430 / BL1430B / BL1440 / BL1450 / BL1460B
	Model D.C.18 V	BL1815N / BL1820 / BL1820B / BL1830 / BL1830B / BL1840 / BL1840B / BL1850 / BL1850B / BL1860B
Punjač	DC18RC / DC18RD / DC18RE / DC18SD / DC18SE / DC18SF / DC18SH	

- Neki od navedenih baterijskih uložaka i punjača možda neće biti dostupni ovisno o regiji u kojoj se nalazite.

⚠ UPOZORENJE: Upotrebljavajte samo navedene baterijske uloške i punjače. Upotreba bilo koje druge vrste baterijskih uložaka i punjača može prouzročiti ozljede i/ili požar.

Simboli

U nastavku su prikazani simboli koji se upotrebljavaju za opremu. Prije korištenja provjerite jeste li razumjeli njihovo značenje.



Pročitajte priručnik s uputama.



Samo za države EU-a
Ne odlažite električnu opremu ili baterije zajedno s komunalnim otpadom! Sukladno europskim direktivama o otpadnoj električnoj i elektroničkoj opremi, baterijama i akumulatorima te otpadnim baterijama i akumulatorima te njihovoj primjeni sukladno nacionalnim zakonima, električna oprema i baterije na kraju vijeka trajanja moraju se zasebno prikupiti i vratiti u ekološki kompatibilno postrojenje za recikliranje.

Namjena

Alat je namijenjen za skupljanje suhe prašine.

Sigurnosna upozorenja za bežični usisavač

⚠ UPOZORENJE: VAŽNO POZORNO PROČITAJTE sva sigurnosna upozorenja i sve upute **PRIJE UPOTREBE**. Nepodrižavanje upozorenja ili uputa može rezultirati strujnim udarom, požarom i/ili ozbiljnim ozljedama.

1. Nemojte izlagati kiši. Pohranite u zatvorenom prostoru.
2. Ne dopustite da se koristi kao igračka. Posebno pazite kad ga koriste djeca ili kad se koristi u blizini djece.
3. Koristite samo na način opisan u ovom priručniku. Koristite isključivo preporučene dodatke proizvođača.
4. Ne koristite s oštećenom baterijom. Ako uređaj ne radi kako bi trebao ili je pao, bio oštećen, ostavljen na otvorenom ili ispušten u vodu, vratite ga u servis.
5. Nemojte rukovati uređajem mokrim rukama.
6. Ne stavljajte predmete u otvore. Ne koristite s blokiranim otvorima, zaštitite ga od prašine, dlačica, kose i bilo čega drugoga što bi moglo smanjiti protok zraka.
7. Držite kosu, široku odjeću i sve dijelove tijela dalje od otvora i pomičnih dijelova.
8. Isključite sve kontrole prije uklanjanja baterije.
9. Posebno pazite kad čistite stube.
10. Ne koristite za skupljanje zapaljivih tekućina kao što je benzin i ne koristite na mjestima gdje se one mogu nalaziti.
11. Za punjenje koristite isključivo isporučeni punjač proizvođača.
12. Ne usisavajte stvari koje gore ili se dime, kao što su cigarete, šibice ili vrući pepeo.
13. Ne koristite bez postavljene vreće za prašinu i/ili filtera.
14. Ne punite bateriju na otvorenom.
15. Baterije punite isključivo punjačem koji preporučuje proizvođač. Punjač koji je prikladan za jednu vrstu baterija može uzrokovati opasnost od požara ako se koristi za drugu vrstu baterija.
16. Ručni alat koristite isključivo s namjenskim i propisanim baterijama. Korištenje bilo koje druge vrste baterija može uzrokovati opasnost od ozljede i požara.
17. Kad se ne koristite baterijama, držite ih podalje od drugih metalnih predmeta poput spajalica, kovanica, ključeva, čavala, vijaka i drugih sitnih metalnih predmeta koji mogu uzrokovati spoj između polova.
18. Pod djelovanjem sile tekućina može iscuriti iz baterije; izbjegavajte kontakt. Ako slučajno dođe do kontakta, isperite vodom.
19. Ne koristite oštećenu ili preinačenu bateriju ili alat. Oštećene ili preinačene baterije mogu se neočekivano ponašati te prouzročiti požar, eksploziju ili ozljede.
20. Ne izlažite bateriju ili alat plamenu ili previsokoj temperaturi. Izlaganje plamenu ili temperaturi višoj od 130 °C može prouzročiti eksploziju.

21. Pridržavajte se svih uputa za punjenje i nemojte puniti bateriju ili alat izvan temperaturnog raspona navedenog u uputama. Neispravno punjenje ili punjenje pri temperaturama izvan navedenog raspona mogu oštetiti bateriju i povećati opasnost od požara.

ČUVAJTE OVE UPUTE.

DODATNA SIGURNOSNA PRAVILA

Ovaj je uređaj namijenjen za kućnu uporabu.

1. Pažljivo pročitajte ovaj priručnik s uputama i priručnik s uputama za punjač prije uporabe.
2. Ne usisavajte sljedeće materijale:
 - Vruće materijale kao što su zapaljive cigarete ili iskre/metalna prašina koja nastaje brušenjem/rezanjem metala
 - Zapaljive materijale kao što su benzin, razrjeđivač, kerozin ili boja
 - Eksplozivne materijale kao što je nitroglicerina
 - Zapaljive materijale kao što su aluminij, cink, magnezij, titanij, fosfor ili celuloid
 - Mokru prašinu, vodu, ulje i slično
 - Tvrdne dijelove s oštrim rubovima, kao što su komadići drva, metali, kamenje, staklo, čavli, pribadače ili britve
 - Praške koji se grušaju kao što su cement ili toner
 - Prašinu koja provodi struju kao što je metalna ili ugljična prašina
 - Sitne čestice kao što je prašina betonaTakve radnje mogu prouzročiti požar, ozljedu i/ili štetu na imovini.
3. Odmah prestanite s radom ako primijetite nešto neobično.
4. Ako ispustite ili udarite usisivač, pažljivo provjerite ima li pukotina ili oštećenja prije rada s njime.
5. Ne približavajte ga štednjacima i drugim izvorima topline.
6. Ne blokirajte ulaznu rupu ili ventilacijske rupe.

ČUVAJTE OVE UPUTE.

Važne sigurnosne upute za bateriju

1. Prije uporabe baterije pročitajte sve upute i oznake upozorenja na (1) punjaču za baterije, (2) bateriji i (3) proizvodu koji koristi bateriju.
2. Ne rastavljajte bateriju.
3. Ako se vrijeme rada znatno skratilo, odmah prestanite raditi. Može doći do pregrijavanja, mogućih opekлина pa čak i eksplozije.
4. Ako vam elektrolit dospje u oči, isperite ih čistom vodom i odmah se obratite liječniku. Tako možete izgubiti vid.
5. Nemojte kratko spajati bateriju:
 - (1) Ne dovodite terminale u kontakt s provodljivim materijalima.
 - (2) Ne čuvajte bateriju u spremniku s drugim metalnim predmetima poput čavala, kovanica itd.
 - (3) Ne izlažite bateriju vodi ili kiši.

Kratki spoj baterije može uzrokovati velik protok struje, pregrijavanje, moguće opekline pa čak i kvar.

6. Ne držite alat i bateriju na mjestima gdje temperatura može premašiti 50 °C.
7. Ne spaljujte bateriju čak ni ako je ozbiljno oštećena ili potpuno istrošena. Baterija može eksplodirati u vatri.
8. Pazite da vam baterija ne ispadne ili da je ne udarite.
9. Ne koristite oštećene baterije.
10. Sadržane litij-ionske baterije podliježu odredbama zakonskih propisa o opasnim tvarima. Kada se radi o komercijalnom transportu koji obavljaju npr. dobavljači ili špediteri, moraju se poštovati posebni zahtjevi na pakiranju i oznakama. Prilikom pripreme isporuke takve stavke potražite savjet stručnjaka za opasne tvari. Pogledajte i moguće podrobnije nacionalne propise. Prekrijte trakom ili zaštitite otvorene kontakte i bateriju zapakirajte tako da se ne može pomicati u pakiranju.
11. Kada odlažete baterijski uložak u otpad, uklonite ga iz alata i zbrinite na sigurnom mjestu. Pridržavajte se lokalnih zakonskih propisa za zbrinjavanje baterija.
12. Upotrebljavajte baterije samo s proizvodima koje je odobrila tvrtka Makita. Umetanje baterija u neprikladne proizvode može dovesti do požara, prekomjerne topline, eksplozije ili curenja elektrolita.
13. Ako se alat ne upotrebljava dulje vrijeme, bateriju morate ukloniti iz alata.

ČUVAJTE OVE UPUTE.

⚠OPREZ: Uvijek upotrebljavajte originalne baterije Makita. Upotreba baterija koje nisu originalne baterije Makita ili su izmijenjene može dovesti do rasprskavanja baterije i uzrokovati požar, tjelesnu ozljedu ili štetu. To će također poništiti jamstvo tvrtke Makita za alat i punjač Makita.

Savjeti za održavanje najduljeg vijeka trajanja baterije

1. Napunite bateriju prije nego što se potpuno isprazni. Uvijek zaustavite alat i napunite bateriju kad primijetite da alat slabije radi.
2. Nikad ne punite već do kraja napunjenu bateriju. Pretjerano punjenje skraćuje radni vijek baterije.
3. Bateriju punite na sobnoj temperaturi između 10 °C i 40 °C. Vruću bateriju prije punjenja ostavite da se ohladi.
4. Napunite bateriju ako je ne mislite koristiti duže vrijeme (duže od 6 mjeseci).

FUNKCIONALNI OPIS

⚠OPREZ:

- Obavezno provjerite je li stroj isključen i baterija uklonjena prije podešavanja ili provjere funkcije na alatu.
- Pazite da prilikom punjenja baterije ne prignječite prst(e) između usisavača i baterije kako je prikazano na crtežu. Prignječenje prsta može prouzročiti ozljedu.

► SI.1

Instalacija ili uklanjanje baterije

► SI.2: 1. Crveni indikator 2. Gumb 3. Baterija

⚠OPREZ:

- Uvijek isključite alat prije instalacije ili uklanjanja baterije.
- **Čvrsto držite alat i bateriju dok instalirate ili uklanjate bateriju.** Ako ne držite čvrsto alat i bateriju, mogu vam iskliznuti uz ruku, što može uzrokovati štetu alata ili baterije i ozljede.

Za uklanjanje baterije, gurnite je iz alata, pritiskom tipke na prednjoj strani uloška.

Za instalaciju baterije poravnajte jezičac na bateriji s utorom na kućištu i gurnite ga na mjesto. Gurajte ga do kraja dok ne sjedne na mjesto uz mali klik. Ako možete vidjeti crveni indikator na gornjoj strani tipke, to znači da baterija nije zaključana u potpunosti.

⚠OPREZ:

- Uvijek instalirajte bateriju dok kraja tako da ne možete vidjeti crveni indikator. U suprotnom može slučajno ispasti iz alata, što može dovesti do ozljede vas ili nekog u blizini.
- Ne instalirajte bateriju silom. Ako baterija ne klizne lagano, znači da nije ispravno umetnuta.

Sustav zaštite baterije (litij-ionska baterija sa zvjezdicom)

► SI.3: 1. Zvjezdasta oznaka

Litij-ionske baterije sa zvjezdicom opremljene su sustavom zaštite. Ovaj sustav automatski prekida napajanje alata da bi produžio vijek trajanja baterije.

Alat automatski prestaje raditi ako se alat i / ili baterija nađu u sljedećim uvjetima:

- Pod opterećenjem:
Alat radi na način koji uzrokuje abnormalno visoku struju.
U ovoj situaciji, otpustite prekidač na alatu i zaustaviti primjenu koja je izazvala preopterećene alata. Zatim povucite uključno/isključnu sklopku za ponovno pokretanje. Ako se alat ne pokrene, baterija je pregrijana. U ovoj situaciji, pričekajte da se baterija ohladi prije nego što opet povučete uključno/isključnu sklopku.
- Slab napon baterije:
Preostali kapacitet baterije je preizak i alat neće raditi. U ovoj situaciji, uklonite i napunite akumulator.

Uključivanje i isključivanje

► **SI.4:** 1. Uključno/isključna sklopka

OPREZ:

- Prije uključivanja baterije na električnu mrežu provjerite radi li uključno/isključna sklopka i vraća li se u položaj za isključivanje "OFF" nakon otpuštanja.

Za pokretanja alata jednostavno povucite uključno/isključnu sklopku. Za isključivanje stroja otpustite uključno/isključnu sklopku.

Uključivanje žaruljice

Samo za model DCL180F

OPREZ:

- Nikada nemojte gledati izravno u svjetlo. Izravno svjetlo može oštetiti oči.










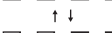
► **SI.5:** 1. Svjetiljka

Povucite uključno/isključnu sklopku da bi se uključila žaruljica. Za isključivanje otpustite uključno/isključnu sklopku.

Prikaz preostalog kapaciteta baterije

Samo za baterijske uloške s indikatorom

► **SI.6:** 1. Žaruljice indikatora 2. Gumb za provjeru
Pritisnite gumb za provjeru na bateriji kako biste provjerili preostali kapacitet baterije. Žaruljica indikatora zasvijetlit će na nekoliko sekundi.

Žaruljice indikatora			Preostali kapacitet
 Svjetli	 Isključeno	 Treperi	
			75 % do 100 %
			50 % do 75 %
			25 % do 50 %
			0 % do 25 %
			Napunite bateriju.
			Baterija je možda neispravna.
			

NAPOMENA: Ovisno o uvjetima upotrebe i temperaturi okoline, prikaz indikatora može se donekle razlikovati od stvarnog kapaciteta.

MONTAŽA

OPREZ:

- Obavezno provjerite je li stroj isključen i baterija uklonjena prije nego što izvedete bilo kakav rad na alatu.

Vrsta filtra

Standardni filter

► **SI.7:** 1. Kapsula 2. Predfilter 3. Filter

Filter visoke učinkovitosti

► **SI.8:** 1. Kapsula 2. Filter visoke učinkovitosti

Odlaganje prašine

OPREZ:

- Ispraznite usisavač prije nego se napuni ili će snaga usisa oslabiti.
- Obavezno ispraznite prašinu iz samog usisivača. Ako to ne učinite, može doći do začepljenja filtra ili oštećenja motora.

Odlaganje prašine ako je postavljen standardni filter

Da biste smanjili lijepljenje prašine na filteru u kapsuli, 4 ili 5 puta lagano lupnite kapsulu rukom.

Zatim okrenite otvor za usis prema dolje, okrenite kapsulu u smjeru strelice na crtežu te polako i ravno odvojite kapsulu.

► **SI.9:** 1. Kapsula 2. Otvor za usis

NAPOMENA:

- Prašina bi mogla ispasti kada se kapsula otvori pa svakako pod kapsulu podmetnite vrećicu za smeće.

Uklonite nakupljenu prašinu iz kapsule i s predfiltera.

► **SI.10:** 1. Predfilter 2. Kapsula

Zakrenite predfilter u smjeru strelice da biste otpustili zaštitni rub s usisavača te skinite predfilter.

► **SI.11:** 1. Predfilter 2. Zaštitni rub

Uklonite sitne čestice prašine s predfiltera. Zatim uklonite filter i lagano ga pritisnite da biste izbacili prašinu.

► **SI.12:** 1. Predfilter 2. Filter

Odlaganje prašine ako je postavljen filter visoke učinkovitosti

Da biste smanjili lijepljenje prašine na filteru u kapsuli, 4 ili 5 puta lagano lupnite kapsulu rukom.

Zatim okrenite otvor za usis prema dolje, okrenite kapsulu u smjeru strelice na crtežu te polako i ravno odvojite kapsulu.

► **SI.13:** 1. Kapsula 2. Otvor za usis

NAPOMENA:

- Prašina bi mogla ispasti kada se kapsula otvori pa svakako pod kapsulu podmetnite vrećicu za smeće.

Uklonite nakupljenu prašinu iz kapsule i s filtra visoke učinkovitosti.

► **SI.14:** 1. Kapsula 2. Filtar visoke učinkovitosti

Zakrenite filtár visoke učinkovitosti u smjeru strelice da biste otpustili zaštitni rub s usisavača te skinite filtár.

► **SI.15:** 1. Zaštitni rub

Uklonite sitne čestice prašine i lagano lupnite da biste izbacili prašinu s filtra visoke učinkovitosti.

Ponovno sastavljanje

Ponovno sastavljanje ako postavljen standardni filtár

Postavite filtár tako da sjedne na svoje mjesto u usisavaču.

► **SI.16:** 1. Filtár

NAPOMENA:

- Provjerite je li filtár postavljen ravno, odnosno da nije nakrivljen. Ako filtár postavite neispravno kao što je prikazano na crtežu, prašina će ući u kućište motora i prouzročiti kvar motora.

► **SI.17:** 1. Filtár

Spojite predfiltár. Potom zakrenite predfiltár tako da se zaštitni rub čvrsto priklubi uz usisavač.

► **SI.18:** 1. Predfiltár

► **SI.19**

Spojite kapsulu. Poravnajte oznaku O na kapsuli s oznakom O na ručki i čvrsto zakrenite kapsulu u smjeru strelice dok se ne učvrsti.

► **SI.20:** 1. Oznaka O

► **SI.21:** 1. Ručka 2. Kapsula

NAPOMENA:

- Uvijek pravovremeno uklonite prašinu jer će se usisna snaga smanjiti ako u usisavaču ima previše prašine.
- Prije uporabe usisavača uvijek provjerite jesu li filtár i predfiltár ispravno postavljeni. Ako nisu ispravno postavljeni, prašina će ući u kućište motora i prouzročiti kvar motora. Ako se jave sljedeći problemi, filtár i predfiltár nisu ispravno postavljeni. Ponovno ih postavite na ispravan način kako biste otklonili problem.

Primjeri problema

Primjer 1: Samo je predfiltár postavljen (bez filtra)

► **SI.22:** 1. Predfiltár

Primjer 2: Samo je filtár postavljen (bez predfiltra)

► **SI.23:** 1. Filtár

Primjer 3: Filtár je postavljen, ali je nakrivljen

► **SI.24:** 1. Filtár

Primjer 4: Zaštitni rub predfiltra nije čvrsto zategnut u žlijeb kućišta usisavača

► **SI.25:** 1. Žlijeb kućišta usisavača 2. Predfiltár 3. Zaštitni rub

Ponovno sastavljanje ako je postavljen filtár visoke učinkovitosti

Spojite filtár visoke učinkovitosti. Potom zakrenite filtár visoke učinkovitosti tako da se zaštitni rub čvrsto priklubi uz usisavač.

► **SI.26:** 1. Filtár visoke učinkovitosti 2. Zaštitni rub

► **SI.27:** 1. Zaštitni rub

Spojite kapsulu. Poravnajte oznaku O na kapsuli s oznakom O na ručki i čvrsto zakrenite kapsulu u smjeru strelice dok se ne učvrsti.

► **SI.28:** 1. Oznaka O

► **SI.29:** 1. Ručka 2. Kapsula

NAPOMENA:

- Uvijek pravovremeno uklonite prašinu jer će se usisna snaga smanjiti ako u usisavaču ima previše prašine.
- Prije uporabe usisavača uvijek provjerite je li filtár visoke učinkovitosti ispravno postavljen. Ako nije ispravno postavljen, prašina će ući u kućište motora i prouzročiti kvar motora. Ako se jave sljedeći problemi, filtár visoke učinkovitosti nije ispravno postavljen. Ponovno ih postavite na ispravan način kako biste otklonili problem.

Primjeri problema

Zaštitni rub filtra visoke učinkovitosti nije čvrsto zategnut u žlijeb kućišta usisavača.

► **SI.30:** 1. Zaštitni rub 2. Žlijeb kućišta usisavača

RAD SA STROJEM

OPREZ:

- Za spajanje dodataka poput mlaznice, zakrenite i umetnite dodatak u smjeru strelice kako bi bio spojen na siguran način tijekom uporabe. Da biste odspojili dodatak, zakrenite i izvadite ga u smjeru strelice. Ako dodatak zakrenete u suprotnom smjeru dok ga spajate i odspajate, kapsula bi se mogla odvojiti.

► **SI.31:** 1. Kapsula

Čišćenje (usis)

Mlaznica

Pričvrstite mlaznicu za čišćenje stolova, namještaja i sl. Mlaznica se jednostavno postavlja.

► **SI.32:** 1. Rasprskivač

Mlaznica + produžna cijev (ravna cijev)

Mjesto produžne cijevi je između mlaznice i usisavača. Takav raspored je prikladan za čišćenje podova dok stojite.

► **SI.33:** 1. Kućište usisavača 2. Produžna cijev 3. Rasprskivač

Mlaznica u kutu

Postavite kutnu mlaznicu za čišćenje kutova i procjepa auta ili namještaja.

► **SI.34:** 1. Kutna mlaznica 2. Kućište usisivača

Kutna mlaznica + produžna cijev (ravna cijev)

Koristite ovaj raspored u uskim prostorima gdje ne možete raditi s usisivačem ili na visokim mjestima koja je teško doseći.

► **SI.35:** 1. Kutna mlaznica 2. Produžna cijev
3. Kućište usisivača

Čišćenje bez mlaznice

Možete usisati praške i prašinu bez mlaznice.

► **SI.36**

ODRŽAVANJE

⚠OPREZ:

- Prije svih pregleda i održavanja alata uvijek provjerite jeste li isključili alat.

Čišćenje

NAPOMENA: Nikada nemojte koristiti benzin, mješavinu benzina, razrjeđivač, alkohol ili slično. Kao rezultat toga može se izgubiti boja, pojaviti deformacija ili pukotine.

NAPOMENA: Nemojte ispuhivati prašinu koja se zaljepila za usisavač i filtre uz pomoć čistača s komprimiranim zrakom. Tako se prašina gura u kućište zbog čega dolazi do kvara.

NAPOMENA: Oprane filtre dobro osušite prije upotrebe. Nedovoljno suhi filtri mogu uzrokovati slab usis i skratiti vijek trajanja motora.

NAPOMENA: Očišćene filtre i spužvasti filter nemojte zaboraviti ponovno postaviti prije upotrebe. Ako upotrebljavate čistač bez filtera i spužvastog filtera, prašina ulazi u kućište motora i može uzrokovati kvar.

Kućište usisivača

Povremeno obrišite vanjski dio (kućište) usisivača tkaninom navlaženom u vodi sa sapunicom.

Očistite i usisni otvor i područje za postavljanje filtera.

► **SI.37**

Filter

Operite filter u vodi sa sapunicom kad se začepe s prašinom i kad se smanji snaga usisavanja. Temeljito ga osušite prije korištenja.

► **SI.38**

Spužvasti filter

Kad se spužvasti filter zaprlja, očistite ga na sljedeći način.

1. Izvadite filter.
 2. Izvucite spužvasti filter između stupića.
 3. Spužvasti filter očistite lupkanjem ili pranjem. Ako ga perete, dobro ga osušite prije upotrebe.
 4. Umetnite spužvasti filter između stupića i postavite ga na originalno mjesto. Provjerite je li spužvasti filter dobro učvršćen ispod donjeg ruba stupića te da nema razmaka između spužvastog filtera i usisnog otvora.
- **SI.39:** 1. Spužvasti filter 2. Donji rub stupića

Zidni nosač za bežični usisavač

Dodatni pribor

NAPOMENA: Vijak za pričvršćivanje nosača nije priložen. Pripremite vijak koji odgovara materijalu na koji će se pričvrstiti.

Postavite zidni nosač za bežični usisavač na tvrdi drveni zid, gredu ili stup, gdje ga je moguće dobro pričvrstiti. Uvijek provjerite je li zidni nosač za bežični usisavač sigurno pričvršćen prije vješanja usisavača.

► **SI.40:** 1. Zidni nosač za bežični usisavač

⚠OPREZ: Nemojte prisilno vješati usisavač na zidni nosač i nemojte vješati druge uređaje osim usisavača.

Stavke koje trebate provjeriti prije nego što zatražite popravak

Simptom	Dio koji treba provjeriti	Način popravka
Slaba snaga usisavanja	<ul style="list-style-type: none">• Je li se kapsula napunila prašinom?• Je li filter začepljen?• Je li baterija ispražnjena?	<ul style="list-style-type: none">• Uklonite prašinu iz kapsule.• Obrišite prašinu ili operite filter.• Ponovno napunite bateriju.
Ne radi	<ul style="list-style-type: none">• Je li baterija ispražnjena?	<ul style="list-style-type: none">• Ponovno napunite bateriju.

NAPOMENA:

- Ne pokušavajte sami popraviti usisivač.

Da biste zadržali SIGURNOST I POUZDANOST proizvoda, održavanje ili namještanja morate prepustiti ovlaštenim Makita servisnim centrima, uvijek rabite originalne rezervne dijelove.

DODATNI PRIBOR

⚠ OPREZ:

- Ovaj dodatni pribor ili priključci se preporučuju samo za uporabu sa Vašim Makita strojem preciziranim u ovom priručniku. Uporaba bilo kojih drugih pribora ili priključaka može donijeti opasnost od ozljeda. Rabite dodatak ili priključak samo za njegovu navedenu namjenu.

Ako Vam je potrebna pomoć za više detalja u pogledu ovih dodatnih pribora, obratite se najbližem Makita servisnom centru.

- Produžna cijev (ravna cijev)
- Mlaznica
- Mlaznica za tepih
- Četkica za police
- Mlaznica u kutu
- Okrugla četka
- Fleksibilno crijevo
- Filtar
- Predfiltar
- Filtar visoke učinkovitosti
- Zidni nosač za bežični usisavač
- Nastavak ciklona
- Izvorna Makita baterija i punjač

NAPOMENA:

- Neke stavke iz popisa se mogu isporučiti zajedno sa strojem kao standardni dodatni pribori. Oni mogu biti različiti ovisno o zemlji.

Nastavak ciklona

- **SI.41:** 1. Ravna cijev 2. Nastavak ciklona 3. Otvor za usis

O nastavku ciklona

Upotreba usisavača s montiranim nastavkom ciklona smanjuje količinu prašine koja ulazi u kapsulu čime se sprečava slabljenje usisne snage. Osim toga, jednostavno je i čišćenje nakon upotrebe.

⚠ OPREZ: Prije izvođenja bilo kakve radnje na alatu obavezno provjerite je li stroj isključen i baterija uklonjena. Ako je baterijski uložak ostao umetnut, usisavač se može neočekivano pokrenuti i dovesti do ozljede.

⚠ OPREZ: Očistite mrežasti filtari nastavka ciklona i filtre jedinice usisavača kada se oni začepi. Njihova produljena upotreba kada su začepljeni može dovesti do zagrijavanja ili dima.

NAPOMENA: Kada je priključen nastavak ciklona, usisavač nemojte upotrebljavati u vodoravnom ili uspravnom položaju. To bi moglo prouzročiti začepljenje mrežastog filtra.

NAPOMENA: Usisavač uvijek upotrebljavajte s postavljenim filterima, čak i kada upotrebljavate nastavak ciklona. Njegova upotreba bez filtera može dovesti do neispravnosti motora.

NAPOMENA: Prije upotrebe provjerite jesu li nastavak ciklona, usisavač i ravna cijev ispravno zavravljeni.

NAPOMENA: Ispraznite kutiju za prašinu nastavka ciklona i kapsulu usisavača kada se prašina nakupi. Produljena upotreba dovest će do slabljenja usisne snage.

Odlaganje prašine

Kada se prašina nakupi do crte punog spremnika kutije za prašinu, pratite postupak u nastavku i odložite prašinu.

1. Čvrsto uhvatite kutiju za prašinu, držite pritisnutim dva gumba i skinite kutiju za prašinu.

- **SI.42:** 1. Crta punog spremnika 2. Kutija za prašinu 3. Gumb (dva položaja) 4. Mrežasti filtari

2. Ispraznite prašinu iz kutije za prašinu i uklonite prašinu i prah koji su se zalijepili na površinu mrežastog filtra.

3. Umetnite kutiju za prašinu do kraja sve dok se dva ne zatvore uz klik.

- **SI.43:** 1. Kutija za prašinu 2. Gumb (dva položaja)

NAPOMENA: Prije nastavka rada provjerite jesu li nastavak ciklona, usisavač i ravna cijev čvrsto spojeni.

NAPOMENA: Ako se usisna snaga ne obnovi čak niti nakon vađenja prašine i čišćenja mrežastog filtra, provjerite je li se prašina nakupila u kapsuli usisavača ili je li došlo do začepjenja.

Čišćenje

Kada se zaprlja kutija za prašinu ili se začepi mrežasti filtari, skinite ih i operite vodom. (Postupak skidanja pogledajte u dijelu „Odlaganje prašine“.)

Dijelove potpuno osušite prije ponovnog postavljanja i upotrebe.

- **SI.44:** 1. Kutija za prašinu 2. Mrežasti filtari

Kada se mrežasti filtari jako zaprlja, očistite ga primjenjujući sljedeći postupak.

1. Okrenite mrežasti filtari u smjeru suprotnom od smjera kazaljke na satu i skinite ga dok su kuke otključane.

- **SI.45:** 1. Mrežasti filtari 2. Kuka

2. Uklonite prašinu s mrežastog filtra i operite ga vodom. Nakon tog temeljito ga osušite.

3. Umetnite mrežasti filtari u postolje dok su kuke poravnate s priključkom. Okrećite mrežasti filtari u smjeru kazaljke na satu dok se kuke ne zaključaju uz klik. Provjerite je li mrežasti filtari ispravno postavljeni.

- **SI.46:** 1. Mrežasti filtari 2. Kuka 3. Ulaz

ПРЕДУПРЕДУВАЊЕ

Овој уред може да се користи од страна на деца на возраст од 8 години или постари, и лица со намалени физички, сетилни или ментални капацитети, или без доволно искуство и познавање ако се под надзор или им се даваат упатства за користење на уредот на безбеден начин и ги разбираат вклучените ризици. Децата не смеат да си играат со уредот. Чистењето и одржувањето од корисникот не смеат да се вршат од страна на деца без надзор.

ТЕХНИЧКИ ПОДАТОЦИ

Модел	DCL140	DCL180	DCL180F
Капацитет	650 мл		
Континуирана употреба	Приближно 20 мин.		
Вкупна должина	981 мм	999 мм	
Нето тежина	1,2 - 1,4 кг	1,2 - 1,5 кг	1,3 - 1,6 кг
Номинален напон	D.C. 14,4 V		D.C. 18 V

- Поради нашата континуирана програма за истражување и развој, спецификациите тука подлежат на промена без најава.
- Спецификациите може да се разликуваат од држава до држава.
- Тежината не ги вклучува додатоците освен касетите за батерија. Најлесните и најтешките комбинации на тежина на уредот и касетите за батерија се прикажани во табелата.

Применлива касета за батерија и полнач

Касета за батерија	Модел D.C. 14,4 V	BL1415N / BL1430 / BL1430B / BL1440 / BL1450 / BL1460B
	Модел D.C. 18 V	BL1815N / BL1820 / BL1820B / BL1830 / BL1830B / BL1840 / BL1840B / BL1850 / BL1850B / BL1860B
Полнач	DC18RC / DC18RD / DC18RE / DC18SD / DC18SE / DC18SF / DC18SH	

- Некои од касетите за батерии и полначите наведени погоре може да не се достапни зависно од регионот во кој живеете.

▲ ПРЕДУПРЕДУВАЊЕ: Користете ги само касетите за батерии и полначите наведени погоре. Користењето какви било поинакви касети за батерии и полначи може да создаде ризик од повреда и/или пожар.

Симболи

Долунаведените ги прикажуваат симболите што може да се користат кај опремата. Пред употребата, проверете дали го разбирате нивното значење.



Прочитајте го упатството за користење.



Само за земјите на ЕУ
Не фрлајте ја електричната опрема или батеријата заедно со домашниот отпад! Земајќи ги предвид европските директиви за отпадна електрична и електронска опрема и за батерии, акумулатори и отпадни батерии и акумулатори и нивното спроведување во согласност со националните закони, електричната опрема и батериите на крајот на нивниот работен век мора да се собираат одделно и да се вратат во еколошки објект за рециклирање.

Наменета употреба

Алатот е наменет за собирање сув прав.

Безбедносни предупредувања за безжичната правосмукалка

▲ ПРЕДУПРЕДУВАЊЕ: ВАЖНО!
ПРОЧИТАЈТЕ ГИ ВНИМАТЕЛНО сите безбедносни предупредувања и сите упатства ПРЕД УПОТРЕБА. Ако не се почитуваат предупредувањата и упатствата, може да дојде до струен удар, пожар и/или тешки повреди.

1. Да не се изложува на дожд. Да се чува во затворена просторија.
2. Не дозволувајте да се користи како играчка. Кога се користи во близина на деца, потребно е да се обрне особено внимание.
3. Користете го само онака како што е опишано во ова упатство. Користете само додатоци што се одобрени од производителот.
4. Не користете оштетена батерија. Ако уредот не работи како што треба, бил испуштен, оштетен, оставен на отворено или паднал во вода, вратете го во сервисен центар.
5. Не ракувајте со уредот со влажни раце.
6. Не ставајте никакви предмети во отворите. Не користете го доколку кој било од отворите е блокиран; одржувајте го чист и без прав, текстилни влакненца, коса и што било друго што може да го намали протокот на воздух.
7. Држете ја косата, лабавата облека и сите делови од телото подалеку од отворите и подвижните делови.
8. Исклучете ги сите контроли пред да ја извадите батеријата.
9. Обрнете особено внимание кога чистите скали.
10. Не користете го за подигање запаливи или согорливи течности, како на пример, бензин, и не користете го во области каде што тие може да бидат присутни.
11. За полнење, користете го само полначот што е испорачан од страна на производителот.
12. Не подигајте ништо што гори или чади, како на пример, цигари, догорчиња или жежок пепел.
13. Н користете го без вреќа за прав и/или без поставени филтри.
14. Не полнете ја батеријата надвор.
15. Полнете само со полначот одреден од страна на производителот. Полнач што е соодветен за еден тип батерија може да создаде ризик од пожар кога се користи со друга батерија.
16. Исклучиво користете ги електричните алати со конкретно наменети батерии. Користењето други батерии може да создаде ризик од повреда и пожар.

17. Кога батеријата не се користи, држете ја настрана од други метални предмети, како што се спојувалки, монети, клучеви, шајки или други мали метални предмети што може да послужат како врска од еден на друг приклучок.
18. При неправилна употреба, од батеријата може да истече течност. Избегнувајте контакт со неа. Ако дојде до ненамерен контакт, измијте со вода.
19. Не користете батерии или алат што се оштетени или менувани. Оштетените или менуваните батерии може да прикажуваат непредвидливо однесување што резултира со оган, експлозија или опасност од повреда.
20. Не изложувајте ги батериите или алатот на оган или прекумерна температура. Изложувањето на оган или температура над 130°C може да предизвика експлозија.
21. Следете ги сите упатства за полнење и не полнете ги батериите или алатот надвор од температурниот опсег наведен во упатството. Неправилното менување или менувањето на температури надвор од наведениот опсег може да ја оштети батеријата и да ја зголеми опасноста од оган.

ЧУВАЈТЕ ГО УПАТСТВОТО.

ДОПОЛНИТЕЛНИ БЕЗБЕДНОСНИ ПРАВИЛА

Овој уред е наменет за употреба во домашноста.

1. Внимателно прочитајте ги ова упатство за употреба и упатството за употреба за полначот пред употребата.
2. Не подигајте ги следниве материјали:
 - Жешките материјали, како на пример запалени цигари или искречки/метален прав што се создава од брусењето/сечењето метал
 - Запаливи материјали, како на пример, бензин, разредувач, газија, керозин или боја
 - Експлозивни материјали, како на пример, нитроглицерин
 - Запаливи материјали, како на пример, алуминиум, цинк, магнезиум, титаниум, фосфор или целулоид
 - Влажен прав, вода, масло или слично
 - Тврди парчиња со остри рабови, како на пример, дрвени делканици, метали, камења, стакло, шајки, игли или жилети
 - Прав што може да предизвика затнување, како на пример, цемент или прав за тонер
 - Проводлив прав, како на пример, метал или јаглерод
 - Мали честички, како на пример, прав од бетонТаквите дејства може да предизвикаат пожар, повреда и/или оштетување на имотот.

3. Ако забележите нешто абнормално, веднаш запрете со работа.
4. Ако ја испуштите или удриле правосмукалката, внимателно проверете дали на неа има пукнатини или оштетувања пред да продолжите со работа.
5. Не доближувајте го до печки или други топлински извори.
6. Не блокирајте ги доводната дупка и дупките за вентилација.

ЧУВАЈТЕ ГО УПАТСТВОТО.

Важни безбедносни упатства за касетата за батеријата

1. Пред користење на касетата за батеријата, прочитајте ги сите упатства и ознаки за претпазливост на (1) полначот за батеријата, (2) батеријата и (3) производот што ја користи батеријата.
 2. Не расклопувајте ја касетата за батеријата.
 3. Ако оперативното времето станало прекумерно кратко, престанете веднаш со работа. Тоа може да резултира со ризик од прегревање, можни изгореници, па дури и експлозија.
 4. Ако електролит навлезе во вашите очи, измијте ги со чиста вода и побарајте медицинска нега веднаш. Тоа може да резултира со губење на вашиот вид.
 5. Не предизвикувајте спој на касетата за батеријата.
 - (1) Не допирајте ги контактите со никаков проводлив материјал.
 - (2) Избегнувајте да ја чувате касетата за батерија во сад со други метални предмети како што се шајки, монети и сл.
 - (3) На изложувајте ја касетата за батеријата на вода или дожд.
- Краткиот спој на батеријата може да предизвика голем проток на електрична енергија, прегревање, можни изгореници, па дури и пад на напојувањето.
6. Не складирајте ги алатот и касетата за батеријата на места каде што температурата може да достигне или надминува 50°C.
 7. Не палете ја касетата за батеријата дури и кога е многу оштетена или целосно потрошена. Касетата за батеријата може да експлодира ако се стави во оган.
 8. Внимавајте да не ја испуштите или удриле батеријата.
 9. Не користете оштетена батерија.
 10. Содржаните батерии со литиумови јони се подложни на условите во Правилата за опасни предмети.

За комерцијален транспорт на пр. од трети лица и посредници, мора да се следат посебните услови на пакувањата или ознаките. При подготовка на предметот кој треба да се испрати, консултирајте се со експерт за опасни материјали. Исто така, следете ги потенцијално подеталните национални правила.

- Залепете ги со леплива лента или маскирајте ги отворените контакти, а батеријата спакувајте ја, така што нема да се движи слободно во пакувањето.
11. Кога ја фрлате во отпад касетата за батеријата, извадете ја од алатот и фрлете ја на безбедно место. Почитувајте ги локалните законски прописи што се однесуваат на фрлање во отпад на батеријата.
12. Користете ги батериите само со производите назначени од Makita. Монтирањето батерии на неусогласените производи може да резултира со пожар, прекумерна топлина, експлозија или истекување на електролитот.
13. Доколку алатот не се користи подолг временски период, батеријата мора да се извади од алатот.

ЧУВАЈТЕ ГО УПАТСТВОТО.

▲ВНИМАНИЕ: Користете само оригинални батерии на Makita. Користењето неоригинални батерии на Makita или батерии што се изменети може да резултира со распакување на батеријата, предизвикувајќи пожар, телесна повреда и оштетување. Тоа исто така ќе ја поништи гаранцијата на Makita за алатот и полначот на Makita.

Совети за одржување максимален работен век на батеријата

1. Заменете ја касетата за батеријата пред целосно да се испразни. Секогаш запирајте ја работата со алатот и заменете ја касетата за батеријата кога ќе забележите дека алатот дава помала моќност.
2. Никогаш немојте да полните целосно полна касета за батерија. Прекумерното полнење го скратува работниот век на батеријата.
3. Полнете ја касетата за батеријата на собна температура од 10°C - 40°C. Дозволете загреаната касета за батерија да се олади пред да ја ставите на полнење.
4. Полнете ја касетата за батеријата доколку не ја користите подолго време (повеќе од шест месеци).

ОПИС НА ФУНКЦИИТЕ

⚠ ВНИМАНИЕ:

- Пред секое прилагодување или проверка на алатот, проверувајте дали е исклучен и батеријата е извадена.
- Внимавајте да не ги потфатите прстите помеѓу чистачот и батеријата, како што е прикажано на дијаграмот, кога ја вметнувате батеријата. Ако ги потфатите прстите, може да дојде до повреда.

► Сл.1

Монтирање или отстранување на батеријата

► Сл.2: 1. Црвен индикатор 2. Копче 3. Батерија

⚠ ВНИМАНИЕ:

- Секогаш исклучувајте го алатот пред ставањето или вадењето на батеријата.
- **Држете ги алатот и батеријата цврсто кога ја монтирате или отстранувате батеријата.** Доколку не ги држите цврсто алатот и батеријата, тоа може да доведе до нивно лизнување од вашите раце и да резултира со оштетување на алатот и на батеријата, како и со телесни повреди.

За да ја извадите батеријата, повлечете ја од алатот додека го лизгате копчето на предната страна на батеријата.

За да ја монтирате батеријата, порамнете го јазичето на батеријата со жлебот во кукиштето и турнете ја да застане во место. Вметнете ја до крај додека не се заклучи во место при што ќе се слушне мало кликнување. Ако можете да го видите црвениот индикатор на горната страна од копчето, тоа значи дека не е заклучена целосно во место.

⚠ ВНИМАНИЕ:

- Секогаш монтирајте ја батеријата целосно додека црвениот индикатор не се изгасне. Во спротивно, може случајно да испадне од алатот, со тоа предизвикувајќи повреда вам или некому околу вас.
- Немојте да ја монтирате батеријата на сила. Ако батеријата не може да се лизне лесно, тоа значи дека не е поставена правилно.

Систем за заштита на батеријата (литиум-јонска батерија со ознака на ѕвезда)

► Сл.3: 1. Ознака со ѕвезда

Литиум-јонските батерии со ознака на ѕвезда се опремени со заштитен систем. Овој систем автоматски го прекинува напојувањето на алатот за да го продолжи работниот век на батеријата.

Алатот автоматски ќе запре за време на работењето ако алатот и/или батеријата се поставени под еден од следниве услови:

- Преоптовареност:
Со алатот се ракува на начин што предизвикува тој да повлекува ненормално висока електрична енергија. Во таква ситуација, отпуштете го прекинувачот на алатот и запрете ја примената што предизвикала алатот да се преоптовари. Потоа повлечете го прекинувачот за стартување повторно за рестартирање на алатот. Ако алатот не се вклучува, тоа значи дека батеријата е прегреана. Во таква ситуација, оставете ја батеријата да се олади пред повторно да го повлечете прекинувачот.
- Низок напон на батеријата:
Преостанатиот капацитет на батеријата е пренизок и алатот нема да работи. Во таква ситуација, извадете ја и наполнете ја батеријата.

Вклучување

► Сл.4: 1. Прекинувач

⚠ ВНИМАНИЕ:

- Пред да ја ставите батеријата во алатот, проверете го прекинувачот дали функционира правилно и дали се враќа во положбата „OFF“ кога ќе се отпушти.

За вклучување на алатот, едноставно повлечете го прекинувачот за стартување. Отпуштете го прекинувачот за исклучување на алатот.

Вклучување на ламбата

Само за моделот DCL180F

⚠ ВНИМАНИЕ:

- Никогаш не гледајте директно во светлината. Директната светлина ги оштетува очите.

► Сл.5: 1. Ламба

Повлечете го прекинувачот за вклучување на лампата. Отпуштете го прекинувачот за стартување за да се исклучи.

Укажување на преостанатиот капацитет на батеријата

Само за батерии со индикатор

► Сл.6: 1. Индикаторски ламбички 2. Копче за проверка

Притиснете го копчето за проверка на касетата за батеријата за укажување на преостанатиот капацитет на батеријата. Индикаторските ламбички светнуваат неколку секунди.

Индикаторски ламбички			Преостанат капацитет
Запалено	Исклучено	Трепка	
			75% до 100%
			50% до 75%
			25% до 50%
			0% до 25%
			Наполнете ја батеријата.
			Батеријата можеби е неисправна.

НАПОМЕНА: Во зависност од условите на користење и амбиенталната температура, индикацијата може да се разликува во мала мера од реалниот капацитет.

СОСТАВУВАЊЕ

⚠ ВНИМАНИЕ:

- Пред секое дотерување или проверка на алатот, секогаш проверувајте дали е исклучен и батеријата е извадена.

Тип на филтер

Нормален филтер

- **Сл.7:** 1. Капсула 2. Предфилтер 3. Филтер

Филтер со високи перформанси

- **Сл.8:** 1. Капсула 2. Филтер со високи перформанси

Фрлање на правот во отпад

⚠ ВНИМАНИЕ:

- Испразнете ја правосмукалката пред да се наполни прекумерно, во спротивно, ќе се намали силата на смукање.
- Испразнете го правот што се наоѓа внатре во самиот чистач. Во спротивно, филтерот може да се затне или моторот може да се оштети.

Отстранување прав кај нормален филтер

За да не се лепи прав на филтерот во капсулата, потчукнете ја капсулата 4 или 5 пати со раката. Сега насочете го отворот за смукање надолу, свртете ја капсулата во правец на стрелката во дијаграмот и полека и исправено откачете ја капсулата.

- **Сл.9:** 1. Капсула 2. Отвор за смукање

НАПОМЕНА:

- Кога капсулата е отворена, може да се истури прав, затоа поставете вреќа за отпад под неа.

Отстранете го насобраниот прав од внатрешноста на капсулата и од предфилтерот.

- **Сл.10:** 1. Предфилтер 2. Капсула

Свртете го предфилтерот во насока на стрелката за да го одвртите прстенот за прицврстување од единицата на чистачот, а потоа, извлечете го предфилтерот.

- **Сл.11:** 1. Предфилтер 2. Прстен за прицврстување

Исчистете го ситниот прав од предфилтерот.

Следно, извадете го филтерот и нежно потчукнете го за да падне правот.

- **Сл.12:** 1. Предфилтер 2. Филтер

Отстранување прав кај филтерот со високи перформанси

За да не се лепи прав на филтерот во капсулата, потчукнете ја капсулата 4 или 5 пати со раката. Сега насочете го отворот за смукање надолу, свртете ја капсулата во правец на стрелката во дијаграмот и полека и исправено откачете ја капсулата.

- **Сл.13:** 1. Капсула 2. Отвор за смукање

НАПОМЕНА:

- Кога капсулата е отворена, може да се истури прав, затоа поставете вреќа за отпад под неа.

Отстранете го насобраниот прав од внатрешноста на капсулата и од филтерот со високи перформанси.

- **Сл.14:** 1. Капсула 2. Филтер со високи перформанси

Свртете го филтерот со високи перформанси во насока на стрелката за да го одвртите прстенот за прицврстување од единицата на чистачот, а потоа, извлечете го филтерот.

- **Сл.15:** 1. Прстен за прицврстување

Исчистете го ситниот прав и лесно потчукнете за да се отстрани правот од филтерот со високи перформанси.

Повторно склопување

Повторно склопување за нормалниот филтер

Поставете го филтерот да дојде целосно во својата положба на единицата на чистачот.

- **Сл.16:** 1. Филтер

НАПОМЕНА:

- Филтерот треба да се постави рамно без да стрчи наназад. Ако филтерот се постави неправилно, како што е покажано на дијаграмот, правот ќе навлезе во кукиштето и ќе предизвика дефект на моторот.

- **Сл.17:** 1. Филтер

Поврзете го предфилтерот. Во овој момент, свиткајте го предфилтерот за да се блокира прстенот за прицврстување цврсто во единицата на чистачот.

► **Сл.18:** 1. Предфилтер

► **Сл.19**

Поврзете капсула. Порамнете го знакот О на капсулата со знакот О на рачката и потоа цврсто стегнете ја капсулата во насока на стрелката додека не се прицврсти добро.

► **Сл.20:** 1. Ознака О

► **Сл.21:** 1. Рачка 2. Капсула

НАПОМЕНА:

- Секогаш отстранувајте го правот пред користење, бидејќи силата на смукање ќе се намали ако има премногу прав во чистачот.
- Секогаш проверувајте дали филтерот и предфилтерот се правилно поставени пред да започнете со употреба на чистачот. Ако тие не се правилно поставени, правот ќе влезе во кукиштето на моторот и ќе предизвика дефект на моторот. Ако се појават следниве примери, тогаш филтерот и предфилтерот не се правилно поставени. Поставете ги правилно одново за да го коригирате проблемот.

Примери на проблем

Пример 1: Поставен е само предфилтерот (нема филтер)

► **Сл.22:** 1. Предфилтер

Пример 2: Поставен е само филтерот (нема предфилтер)

► **Сл.23:** 1. Филтер

Пример 3: Филтерот е поставен во неправилна положба и стрчи наназад

► **Сл.24:** 1. Филтер

Пример 4: Прстенот за прицврстување на предфилтерот не е цврсто блокиран во жлебот на кукиштето на чистачот

► **Сл.25:** 1. Жлеб на кукиштето на чистачот

2. Предфилтер 3. Прстен за прицврстување

Повторно составување на филтерот со високи перформанси

Поврзете го филтерот со високи перформанси. Во овој момент, свиткајте го филтерот со високи перформанси за да се блокира прстенот за прицврстување цврсто во единицата на чистачот.

► **Сл.26:** 1. Филтер со високи перформанси

2. Прстен за прицврстување

► **Сл.27:** 1. Прстен за прицврстување

Поврзете капсула. Порамнете го знакот О на капсулата со знакот О на рачката и потоа цврсто стегнете ја капсулата во насока на стрелката додека не се прицврсти добро.

► **Сл.28:** 1. Ознака О

► **Сл.29:** 1. Рачка 2. Капсула

НАПОМЕНА:

- Секогаш отстранувајте го правот пред користење, бидејќи силата на смукање ќе се намали ако има премногу прав во чистачот.
- Секогаш проверувајте дали филтерот со високи перформанси е правилно поставен пред да започнете со употреба на чистачот. Ако тие не се правилно поставени, правот ќе влезе во кукиштето на моторот и ќе предизвика дефект на моторот. Ако се појават следниве примери, тогаш филтерот со високи перформанси не е правилно поставен. Поставете ги правилно одново за да го коригирате проблемот.

Примери на проблем

Прстенот за прицврстување на филтерот со високи перформанси не е цврсто блокиран во жлебот на кукиштето на чистачот.

► **Сл.30:** 1. Прстен за прицврстување 2. Жлеб на кукиштето на чистачот

РАБОТЕЊЕ

▲ВНИМАНИЕ:

- За да ги приклучите додатоците, како што се прскалките, завртете ги и вметнете ги во насока на стрелката за да се стегнат добро за стабилна работа. За да го откачите додатокот, завртете го и вметнете го во насока на стрелката. Ако додатокот се заврти во спротивната насока кога се прикачува или откачува, капсулата може да се олабави.

► **Сл.31:** 1. Капсула

Чистење (смукање)

Прскалка

Приклучете ја прскалката за чистење маси, бироа, мебел и сл. Прскалката лесно се лизнува на место.

► **Сл.32:** 1. Распрскувач

Прскалка + Издолжувач (права цевка)

Издолжувачот влегува помеѓу прскалката и самиот чистач. Овој распоред е погоден за чистење под додека стоите во исправена положба.

► **Сл.33:** 1. Тело на чистачот 2. Издолжувач 3. Распрскувач

Врв за кошиња

Поставете го врвот за кошиња за чистење на кошињата и недостапните делови на автомобил или мебел.

► **Сл.34:** 1. Врв за кошиња 2. Тело на чистачот

Врв за ќошиња + Издолжувач (права цевка)

На тесни недостапни места, каде што чистачот не може да се протне, или на високи недофатни места, користете го овој распоред.

► **Сл.35:** 1. Врв за ќошиња 2. Издолжувач 3. Тело на чистачот

Чистење без прскалка

Можете да собираете прашина и прав без прскалка.

► **Сл.36**

ОДРЖУВАЊЕ

⚠ВНИМАНИЕ:

- Пред секоја проверка или одржување, осигуравајте алатот да е исклучен.

Чистење

ЗАБЕЛЕШКА: За чистење, не користете нафта, бензин, разредувач, алкохол или слично. Тие средства ја вадат бојата и може да предизвикаат деформации или пукнатини.

ЗАБЕЛЕШКА: Не раздувајте го правот залепен на правосмукалката со помош на компримиран воздух. Со тоа ќе се внесе прав во куќиштето и ќе се предизвика дефект.

ЗАБЕЛЕШКА: По миењето, филтрите треба целосно да се исушат пред употреба. Недоволно исушените филтри може да предизвикаат намалување на моќта на смукање и скратување на работниот век на моторот.

ЗАБЕЛЕШКА: По чистењето на филтрите и сунѓерестиот филтер, не заборавате повторно да ги монтирате пред употреба. Ако ја користите правосмукалката без филтрите и сунѓерестиот филтер, правот ќе влезе во куќиштето на моторот и ќе предизвика дефект.

Тело на правосмукалката

Од време на време бришете ја надворешноста (телото на правосмукалката) на правосмукалката со помош на крпа натопена во вода со сапуница. Искристите ги и пределите кај отворот за смукање и областа за монтирање на филтрите.

► **Сл.37**

Филтер

Ако го измиете филтерот со сапуница кога е затнат со прав, ќе се намали моќта на правосмукалката. Целосно исушете го пред употреба.

► **Сл.38**

Сунѓерест филтер

Кога сунѓерестиот филтер ќе се извалка, искристите го на следниов начин.

1. Отстранете го филтерот.
2. Извлечете го сунѓерестиот филтер од столпчињата.
3. Искристите го сунѓерестиот филтер со тапкање или миење. Ако го миете, целосно исушете го пред употреба.
4. Вметнете го сунѓерестиот филтер меѓу столпчињата и поставете го во оригиналната позиција. Уверете се дека секоја долна ивица на столпчето го држи сунѓерестиот филтер надолу и дека нема слободен простор помеѓу сунѓерестиот филтер и отворот за смукање.

► **Сл.39:** 1. Сунѓерест филтер 2. Долна ивица на столпче

Сиден носач за безжична правосмукалка

Опционален прибор

НАПОМЕНА: Не е вклучен шрафот за монтирање на држачот. Подгответе шраф што одговара на материјалот во кој ќе се шрафи.

Поставете го сидниот носач за безжична правосмукалка на тврд дрвен сид, греда или столб, каде што сидниот носач за безжична правосмукалка може цврсто да се затегне. Пред да ја закачите правосмукалката, секогаш внимавајте сидниот носач за безжична правосмукалка добро да е прицврстен.

► **Сл.40:** 1. Сиден носач за безжична правосмукалка

⚠ВНИМАНИЕ: Не закачувајте ја правосмукалката на сидниот носач со сила, ниту пак закачувајте други уреди освен правосмукалката.

Работи што треба да се проверат пред да се нарача поправка

Симптом	Област што треба да се испита	Начин на прицврстување
Мала моќност на смукање	<ul style="list-style-type: none">• Дали е капсулата полна со прав?• Дали е филтерот затнат?• Дали батеријата е испразнета?	<ul style="list-style-type: none">• Испразнете го правот од капсулата.• Избришете го или измијте го филтерот.• Наполнете ја батеријата.
Не работи	<ul style="list-style-type: none">• Дали батеријата е испразнета?	<ul style="list-style-type: none">• Наполнете ја батеријата.

НАПОМЕНА:

- Не обидувајте се самите да го поправате чистачот.

За да се одржи БЕЗБЕДНОСТА и СИГУРНОСТА на производот, поправките, одржувањата или дотерувањата треба да се вршат во овластени сервисни центри на Makita, секогаш со резервни делови од Makita.

ОПЦИОНАЛЕН ПРИБОР

⚠ВАЖНОСТИ:

- Овој прибор или додатоци се препорачуваат за користење со алатот од Makita дефиниран во упатството. Со користење друг прибор или додатоци може да се изложите на ризик од телесни повреди. Користете ги приборот и додатоците само за нивната намена.

Ако ви треба помош за повеќе детали за приборот, прашајте во локалниот сервисен центар на Makita.

- Издолжувач (права цевка)
- Прскалка
- Прскалка за тепих
- Четка за полици
- Врв за кошиња
- Кружна четка
- Флексибилно црево
- Филтер
- Предфилтер
- Филтер со високи перформанси
- Сиден носач за безжична правосмукалка
- Прилог циклон
- Оригинална батерија и полнач Makita

НАПОМЕНА:

- Некои ставки на листата може да се вклучени со алатот како стандарден прибор. Тоа може да се разликува од земја до земја.

Прилог циклон

- **Сл.41:** 1. Рамна цевка 2. Прилог циклон 3. Отвор за смукање

За прилогот циклон

Користењето на правосмукалната со монтиран прилог циклон ја намалува количината прав што влегува во капсулата, што помага во спречувањето на слабеењето на силата на смукање. Покрај тоа, чистењето по употребата е исто така едноставно.

⚠ВАЖНОСТИ: Пред секое дотерување или проверка на алатот, секогаш проверувајте дали е исклучен и касетата за батеријата е извадена. Доколку касетата за батеријата е оставена вметната, правосмукалната може неочекувано да стартува и да резултира со сериозна повреда.

⚠ВАЖНОСТИ: Исклучете го мрежестиот филтер од прилогот циклон и филтрите од единицата на чистачот кога ќе се затнат. Континуираната употреба во затната состојба може да резултира со греење или чад.

⚠ВАЖНОСТИ: Исклучете го мрежестиот филтер од прилогот циклон и филтрите од единицата на чистачот кога ќе се затнат. Континуираната употреба во затната состојба може да резултира со греење или чад.

ЗАБЕЛЕШКА: Кога прилогот циклон е прикачен, не користете ја правосмукалната во хоризонтална положба или положба свртена нагоре. Тоа може да предизвика затнување на мрежестиот филтер.

ЗАБЕЛЕШКА: Секогаш користете ја правосмукалната со монтирани филтри, дури и кога користите прилогот циклон. Користењето на правосмукалната без монтирани филтри може да резултира со дефект на моторот.

НАПОМЕНА: Пред употреба, проверете дали прилогот циклон, правосмукалната и рамната цевка се правилно блокирани.

НАПОМЕНА: Испразнете ја вреќата за прав од прилогот циклон и капсулата од правосмукалната кога ќе се насобере прашина. Континуираната употреба ќе резултира со помала сила на смукањето.

Фрлање на правот во отпад

Кога правот се насобрал до линијата за наполнетост на кутијата за прав, следете ја постапката подолу и фрлете го правот.

1. Цврсто држете ја кутијата за прав, притиснете ги и држете ги двете копчиња и извадете ја кутијата за прав.

► **Сл.42:** 1. Линија за наполнетост 2. Кутија за прав 3. Копче (две локации) 4. Мрежест филтер

2. Фрлете го правот од внатрешноста на кутијата за прав и извадете ги прашината и правот што се залепени на површината од мрежестиот филтер.

3. Вметнете ја кутијата за прав докрај додека двете копчиња не се заклучат со кликување.

► **Сл.43:** 1. Кутија за прав 2. Копче (две локации)

НАПОМЕНА: Пред повторно стартување, проверете дали прилогот циклон, правосмукалката и рамната цевка се сите цврсто поврзани.

НАПОМЕНА: Доколку силата на смукањето не се оправи дури ни по фрлање на правот и чистење на мрежестиот филтер, проверете дали се насобрал прав во капсулата од правосмукалката или дошло до затнување.

Чистење

Кога кутијата за прав ќе се извалка или мрежестиот филтер е затнат, извадете ги и измијте ги со вода. (Погледнете во „Фрлање на правот во отпад“ за постапката на отстранување.)

Пред повторно монтирање и употреба, темелно исушете ги деловите.

► **Сл.44:** 1. Кутија за прав 2. Мрежест филтер

Кога мрежестиот филтер лошо ќе се извалка, исчистете го во следниве постапки.

1. Свртете го мрежестиот филтер во насока спротивна од стрелките на часовникот и извадете го додека куките се отклучени.

► **Сл.45:** 1. Мрежест филтер 2. Кука

2. Отстранете го правот на мрежестиот филтер и потоа измијте го со вода. Потоа темелно исчистете го.

3. Вметнете го мрежестиот филтер во основата додека куките се порамнети со портата. Свртете го мрежестиот филтер во насока на стрелките на часовникот додека куките не се заклучат со кликување. Осигурете се дека мрежестиот филтер е цврсто монтиран.

► **Сл.46:** 1. Мрежест филтер 2. Кука 3. Отвор

AVERTIZARE

Acest aparat poate fi utilizat de copiii cu vârsta de cel puțin 8 ani și de persoanele cu capacități fizice, senzoriale sau mentale reduse, sau lipsite de experiență și cunoștințe doar dacă sunt supravegheate sau au fost instruite cu privire la utilizarea aparatului în siguranță și înțeleg pericolele implicate. Copiii nu au voie să folosească acest aparat ca jucărie. Curățarea și întreținerea nu vor fi efectuate de copii nesupravegheați.

SPECIFICAȚII

Model	DCL140	DCL180	DCL180F
Capacitate	650 ml		
Utilizare continuă	Aprox. 20 min		
Lungime totală	981 mm	999 mm	
Greutate netă	1,2 - 1,4 kg	1,2 - 1,5 kg	1,3 - 1,6 kg
Tensiune nominală	14,4 V cc.		18 V cc.

- Datorită programului nostru continuu de cercetare și dezvoltare, specificațiile pot fi modificate fără o notificare prealabilă.
- Specificațiile pot varia în funcție de țară.
- Greutatea nu include accesoriile, ci cartușul(ele) acumulatorului. Greutatea combinată cea mai mică și cea mai mare a aparatului și cartușului(elor) acumulatorului sunt prezentate în tabel.

Cartușul acumulatorului și încărcătorul aplicabile

Cartușul acumulatorului	Model de 14,4 V c.c.	BL1415N / BL1430 / BL1430B / BL1440 / BL1450 / BL1460B
	Model de 18 V c.c.	BL1815N / BL1820 / BL1820B / BL1830 / BL1830B / BL1840 / BL1840B / BL1850 / BL1850B / BL1860B
Încărcător	DC18RC / DC18RD / DC18RE / DC18SD / DC18SE / DC18SF / DC18SH	

- Este posibil ca unele cartușe ale acumulatorilor și încărcătoare menționate mai sus să nu fie disponibile în funcție de regiunea dvs. de reședință.

⚠️ AVERTIZARE: Utilizați numai cartușele de acumulator și încărcătoarele enumerate mai sus. Utilizarea oricăror altor cartușe de acumulator și încărcătoare poate duce la rănire și/sau incendiu.

Simboluri

Mai jos sunt prezentate simbolurile care pot fi utilizate pentru echipament. Asigurați-vă că înțelegeți sensul acestora înainte de utilizare.



Citiți manualul de utilizare.



Doar pentru țările din cadrul UE
Nu aruncați aparatele electrice sau acumulatorile în gunoii menajeri! În conformitate cu Directiva europeană privind deșeurile de echipamente electrice și electronice, bateriile și acumulatorile, precum și bateriile și acumulatorile reziduale și implementarea acestora conform legislației naționale, echipamentele electrice și bateriile și acumulatorile care au ajuns la sfârșitul duratei de viață trebuie colectate separat și reciclate corespunzător în vederea protecției mediului.

Destinația de utilizare

Acest aparat este destinat colectării prafului uscat.

Avertismente privind siguranța pentru aspiratorul cu acumulator

⚠️ AVERTIZARE: IMPORTANT CITIȚI CU ATENȚIE toate avertizările de siguranță și toate instrucțiunile ÎNAINTE DE UTILIZARE.

Nerespectarea acestor avertismente și instrucțiuni poate avea ca rezultat electrocutarea, incendiul și/ sau rănirea gravă.

1. Nu expuneți la ploaie. Depozitați în spații interioare.
2. Nu permiteți utilizarea acestuia ca jucărie. Acordați atenție utilizării acestuia de către copii sau în apropierea copiilor.
3. Utilizați doar în modul descris în acest manual. Utilizați doar accesoriile recomandate de producător.
4. Nu folosiți cu un acumulator uzat. În cazul în care aparatul nu funcționează corespunzător, a suferit șocuri, este deteriorat, a fost depozitat în exterior sau a fost scăpat în apă, returnați-l la un centru de service.
5. Nu manipulați aparatul cu mâinile umede.
6. Nu introduceți obiecte în orificii. A nu se utiliza cu orificiile blocate; feriți de praf, scame, păr și orice alte materiale care pot obstrucționa fluxul de aer.
7. Nu vă apropiați părul, hainele largi, degetele și celelalte părți ale corpului de deschideri și de piesele mobile.
8. Dezactivați toate comenzile înainte de a scoate acumulatorul.
9. Acordați atenție specială la curățarea pe trepte.
10. Nu utilizați la colectarea unor lichide inflamabile sau combustibile, cum ar fi benzina și nu utilizați în zone în care acestea ar putea fi prezente.
11. Utilizați doar încărcătorul furnizat de producător pentru reîncărcare.
12. Nu colectați obiecte care ard sau fumează, cum ar fi țigări, chibrituri sau cenușă fierbinte.
13. Nu utilizați fără sac de praf și/sau filtre montate.
14. Nu încărcați acumulatorul în exterior.
15. Efectuați reîncărcarea numai cu încărcătorul specificat de producător. Un încărcător adecvat pentru un anumit tip de acumulator poate prezenta risc de incendiu dacă este utilizat cu alt tip de acumulator.
16. Folosiți mașinile electrice numai cu acumulatorii special destinați acestora. Utilizarea altor acumulatori poate prezenta risc de rănire și de incendiu.
17. Când nu folosiți acumulatorul, țineți-l la distanță de obiecte metalice precum agrafe de birou, monede, chei, cuie, șuruburi sau alte obiecte metalice mici, ce pot constitui o legătură între cele două borne.
18. În condiții extreme, lichidul poate fi eliminat din acumulator; evitați contactul cu acesta. Dacă intrați în contact accidental, clătiți bine cu apă zona afectată.
19. Nu utilizați un acumulator sau o unealtă care este avariată sau modificată. Bateriile avariate sau modificate pot prezenta comportament imprevizibil ce poate cauza incendii, explozii sau risc de rănire.

20. Nu expuneți un acumulator sau o unealtă la foc sau la temperaturi excesive. Expunerea la foc sau la temperaturi mai mari de 130 °C poate cauza explozii.
21. Urmați toate instrucțiunile de încărcare și nu încărcați acumulatorul sau unealta la temperaturi din afara intervalului specificat în instrucțiuni. Încărcarea incorectă sau la temperaturi din afara intervalului specificat poate cauza deteriorarea bateriei și creșterea riscului de incendiu.

PĂSTRAȚI ACESTE INSTRUCȚIUNI.

NORME SUPLIMENTARE DE SECURITATE

Acest aparat este destinat doar uzului casnic.

1. Înainte de utilizare, citiți cu atenție acest manual de instrucțiuni și manualul de instrucțiuni al încărcătorului.
2. Nu aspirați următoarele materiale:
 - Materiale fierbinți, precum țigări aprinse sau praf provenit de la scânteii/metal generat de șlefuirea/tăierea metalului
 - Materiale inflamabile precum petrol, diluant, benzină, kerosen sau vopsea
 - Materiale explosive, cum ar fi nitroglicerina
 - Materiale inflamabile, precum aluminiu, zinc, magneziu, titan, fosfor sau celuloză
 - Murdărie umedă, apă, ulei sau alte lichide
 - Obiecte dure cu margini ascuțite, precum așchii de lemn, metale, pietre, sticlă, cuie, ace sau lame
 - Pudră care formează cheag, precum ciment sau toner
 - Praful conductiv, precum praful de metal sau carbon
 - Particule fine, precum praful de betonO astfel de acțiune poate cauza incendii, accidente și/sau daune.
3. Întrerupeți lucrul imediat dacă observați orice anomalie.
4. Dacă scăpați pe jos sau loviți aspiratorul, înainte de utilizare verificați-l cu atenție în privința fisurării sau deteriorării.
5. Nu țineți în apropierea sobelor sau a altor surse de căldură.
6. Nu obturați orificiile de admisie sau de ventilație.

PĂSTRAȚI ACESTE INSTRUCȚIUNI.

Instrucțiuni importante privind siguranța pentru cartușul acumulatorului

1. Înainte de a folosi cartușul acumulatorului, citiți toate instrucțiunile și atenționările de pe (1) încărcătorul acumulatorului, (2) acumulator și (3) produsul care folosește acumulatorul.
2. Nu dezmembrați cartușul acumulatorului.
3. Dacă timpul de funcționare s-a redus excesiv, întrerupeți imediat funcționarea. Aceasta poate prezenta risc de supraîncălzire, posibile arsuri și chiar explozie.

4. Dacă electrolitul pătrunde în ochi, clătiți bine ochii cu apă curată și consultați imediat un medic. Există risc de orbire.
5. Nu scurtcircuitați cartușul acumulatorului:
 - (1) Nu atingeți bornele cu niciun material conductor.
 - (2) Evitați depozitarea cartușului acumulatorului la un loc cu alte obiecte metalice cum ar fi cuie, monede etc.
 - (3) Nu expuneți cartușul acumulatorului la apă sau ploaie.
6. Nu depozitați mașina și cartușul acumulatorului în spații în care temperatura poate atinge sau depăși 50 °C (122 °F).
7. Nu incinerati cartușul acumulatorului chiar dacă acesta este grav deteriorat sau complet uzat. Cartușul acumulatorului poate exploda în foc.
8. Aveți grijă să nu scăpați sau să loviți acumulatorul.
9. Nu utilizați un acumulator deteriorat.
10. Acumulatorii Li-Ion încorporați se supun cerințelor Legislației privind substanțele periculoase.

Pentru transporturi comerciale, efectuate de exemplu de către părți terțe, expeditori, trebuie respectate cerințele speciale de ambalare și etichetare.

Pentru pregătirea articolului care urmează să fie expedit, este necesară consultarea unui expert în materiale periculoase. Vă rugăm să respectați, de asemenea, reglementările naționale, care pot fi mai detaliate.

Izolați sau acoperiți contactele deschise și împachetați acumulatorul în așa fel încât să nu se poată mișca în ambalaj.

11. Atunci când eliminați la deșeurii cartușul acumulatorului, scoateți-l din mașină și eliminați-l într-un loc sigur. Respectați normele naționale privind eliminarea la deșeurii a acumulatorului.
12. Utilizați acumulatele numai cu produsele specificate de Makita. Instalarea acumulatelelor în produse neconforme poate cauza incendii, căldură excesivă, explozii sau scurgeri de electrolit.
13. Dacă mașina nu este utilizată o perioadă lungă de timp, acumulatorul trebuie scos din acesta.

PĂSTRAȚI ACESTE INSTRUCȚIUNI.

ATENȚIE: Folosiți numai acumulatori Makita originali. Acumulatorii Makita care nu sunt originali și acumulatorii care au suferit modificări se pot aprinde, provocând incendii, leziuni corporale și daune. De asemenea, anulează garanția oferită de Makita pentru unealta și încărcătorul Makita.

Sfaturi pentru obținerea unei durate maxime de exploatare a acumulatorului

1. Încărcați cartușul acumulatorului înainte de a se descărca complet. Întrerupeți întotdeauna funcționarea mașinii și încărcați cartușul acumulatorului când observați o scădere a puterii mașinii.
2. Nu reîncărcați niciodată un acumulator complet încărcat. Supraîncărcarea va scurta durata de exploatare a acumulatorului.
3. Încărcați cartușul acumulatorului la temperatura camerei, între 10 °C - 40 °C (50 °F - 104 °F). Lăsați un acumulator fierbinte să se răcească înainte de a-l încărca.
4. Încărcați cartușul acumulatorului în cazul în care nu a fost utilizat pe o perioadă mai lungă (mai mult de șase luni).

DESCRIERE FUNCȚIONALĂ

ATENȚIE:

- Asigurați-vă întotdeauna că mașina este oprită și cartușul acumulatorului este scos înainte de a ajusta sau verifica funcționarea mașinii.
- Aveți grijă ca la încărcarea bateriei să nu vă prindeți degetul(ele) între aspirator și baterie așa cum se arată în imagine. Prinderea degetului(elor) poate provoca rănirea.

► Fig.1

Instalarea sau scoaterea cartușului acumulatorului

► Fig.2: 1. Indicator roșu 2. Buton 3. Cartușul acumulatorului

ATENȚIE:

- Opriți întotdeauna unealta înainte de montarea sau demontarea cartușului de acumulator.
- Țineți ferm mașina și cartușul acumulatorului la montarea sau demontarea cartușului. În caz contrar, acestea vă pot aluneca din mâini, rezultând defectarea lor și posibile accidente.

Pentru a scoate cartușul acumulatorului, glisați-l din unealtă în timp ce glisați butonul de pe partea frontală a cartușului.

Pentru a instala cartușul acumulatorului, aliniați limba de pe cartușul acumulatorului cu canelura din carcasă și introduceți-l în locaș. Introduceți-l complet, până când se închetează în locaș. Dacă puteți vedea indicatorul roșu din partea superioară a butonului, acesta nu este blocat complet.

ATENȚIE:

- Instalați întotdeauna cartușul acumulatorului complet, până când indicatorul roșu nu mai este vizibil. În caz contrar, acesta poate cădea accidental din mașină provocând rănirea dumneavoastră sau a persoanelor din jur.
- Nu forțați cartușul de acumulator la montare. Dacă acesta nu glisează ușor, înseamnă că a fost introdus incorect.

Sistem de protecție a acumulatorului (acumulator litiu-ion cu marcaj stea)

► Fig.3: 1. Marcaj în stea

Acumulatorii litiu-ion cu un marcaj stea sunt echipate cu un sistem de protecție. Acest sistem oprește automat alimentarea mașinii pentru a prelungi durata de viață a bateriei.

Mașina se va opri automat în timpul funcționării când mașina și/sau acumulatorul se află într-una din situațiile următoare.

- **Suprasarcină:**

Mașina este operată într-o manieră care determină atragerea unui curent de o intensitate anormal de ridicată.

În această situație, eliberați butonul declanșator al mașinii și opriți activitatea care a generat suprasarcina. Apoi trageți din nou butonul declanșator pentru a reporni mașina. Dacă mașina nu pornește, înseamnă că acumulatorul este supraîncălzit. În această situație, lăsați acumulatorul să se răcească înainte de a trage butonul declanșator din nou.

- **Tensiune scăzută acumulator:**

Capacitatea rămasă a bateriei este prea mică, iar mașina nu va funcționa. În această situație, scoateți și reîncărcați acumulatorul.

Acționarea întrerupătorului

► Fig.4: 1. Declanșator întrerupător

⚠ATENȚIE:

- Înainte de a introduce cartușul acumulatorului în mașină, verificați întotdeauna dacă butonul declanșator funcționează corect și revine în poziția "OFF" (oprit) când este eliberat.

Pentru a porni mașina, apăsați pur și simplu butonul declanșator. Eliberați butonul declanșator pentru a opri mașina.

Aprinderea lămpii

Doar pentru modelul DCL180F

⚠ATENȚIE:

- Nu priviți niciodată direct în lumină. Lumina directă vă poate afecta ochii.

► Fig.5: 1. Lampă

Trageți butonul declanșator pentru a aprinde lampa. Eliberați butonul declanșator pentru a stinge.

Indicarea capacității rămase a acumulatorului

Numai pentru cartușe de acumulator cu indicator

► Fig.6: 1. Lămpi indicatoare 2. Buton de verificare

Apăsați butonul de verificare de pe cartușul acumulatorului, astfel încât să se indice capacitățile rămase ale acumulatorului. Lămpile indicatorului vor lumina timp de câteva secunde.

Lămpi indicatoare			Capacitate rămasă
Iluminat	Oprit	Iluminare intermitentă	
■ ■ ■ ■			între 75% și 100%
■ ■ ■ □			între 50% și 75%
■ ■ □ □			între 25% și 50%
■ □ □ □			între 0% și 25%
▤ □ □ □			Încărcați acumulatorul.
■ ■ □ □			Este posibil ca acumulatorul să fie defect.
□ □ ■ ■			

NOTĂ: În funcție de condițiile de utilizare și temperatura ambientală, indicația poate fi ușor diferită de capacitatea reală.

MONTARE

⚠ATENȚIE:

- Asigurați-vă întotdeauna că mașina este oprită și cartușul acumulatorului este scos înainte de a executa orice lucrări la mașină.

Tipul de filtru

Filtru normal

► Fig.7: 1. Capsulă 2. Prefiltru 3. Filtru

Filtru de performanță ridicată

► Fig.8: 1. Capsulă 2. Filtru de performanță ridicată

Eliminarea prafului

⚠ATENȚIE:

- Goliți aspiratorul înainte ca acesta să se umple excesiv, pentru a evita reducerea puterii de aspirare.
- Asigurați-vă că ați eliminat tot praful din interiorul aspiratorului. Neefectuarea acestei operațiuni poate produce înfundarea filtrului sau deteriorarea motorului.

Eliminarea prafului pentru filtrul normal

Pentru a îndepărta depunerile de praf de pe filtrul din capsulă, loviți capsula cu mâna de 4 sau 5 ori. În acest moment, îndreptați intrarea de aspirație în jos, rotiți capsula în direcția săgeții din imagine și deconectați capsula lent și drept.

► Fig.9: 1. Capsulă 2. Oficiu de aspirație

NOTĂ:

- La deschiderea capsulei poate să curgă praf, deci asigurați-vă că ați așezat un sac de gunoi sub capsulă.

Scoateți praful acumulat în interiorul capsulei și din exteriorul prefiltrului.

► **Fig.10:** 1. Prefiltru 2. Capsulă

Rotiți prefiltrul în direcția săgeții pentru a desface buza de fixare de unitatea aspiratorului și apoi trageți prefiltrul în afară.

► **Fig.11:** 1. Prefiltru 2. Buză de fixare

Curățați praful fin de pe prefiltru. În continuare, scoateți filtrul și loviți-l ușor pentru a desprinde praful.

► **Fig.12:** 1. Prefiltru 2. Filtru

Eliminarea prafului pentru filtrul de performanță ridicată

Pentru a îndepărta depunerile de praf de pe filtrul din capsulă, loviți capsula cu mâna de 4 sau 5 ori.

În acest moment, îndreptați intrarea de aspirație în jos, rotiți capsula în direcția săgeții din imagine și deconectați capsula lent și drept.

► **Fig.13:** 1. Capsulă 2. Orificiu de aspirație

NOTĂ:

- La deschiderea capsulei poate să curgă praf, deci asigurați-vă că ați așezat un sac de gunoi sub capsulă.

Scoateți praful acumulat în interiorul capsulei și de pe exteriorul filtrului de performanță ridicată.

► **Fig.14:** 1. Capsulă 2. Filtru de performanță ridicată

Rotiți filtrul de performanță ridicată în direcția săgeții pentru a desface buza de fixare de unitatea aspiratorului și apoi trageți filtrul în afară.

► **Fig.15:** 1. Buză de fixare

Curățați praful fin și loviți ușor pentru a disloca praful din filtrul de performanță ridicată.

Reasamblare

Reasamblare pentru filtrul normal

Așezați filtrul până când acesta este complet în poziție pe unitatea aspiratorului.

► **Fig.16:** 1. Filtru

NOTĂ:

- Asigurați-vă că filtrul este așezat drept, fără a fi „decojit” înapoi. Dacă un filtru este așezat incorect, așa cum se arată în diagramă, praful va pătrunde în compartimentul motorului și va produce defectarea acestuia.

► **Fig.17:** 1. Filtru

Conectați prefiltrul. În acest moment, asigurați-vă că rotiți prefiltrul astfel încât buza de fixare să fie blocată ferm în unitatea aspiratorului.

► **Fig.18:** 1. Prefiltru

► **Fig.19**

Conectați capsula. Aliniați simbolul O de pe capsulă cu simbolul O de pe mâner și rotiți ferm capsula în direcția săgeții până când aceasta se fixează.

► **Fig.20:** 1. Marcaj O

► **Fig.21:** 1. Mâner 2. Capsulă

NOTĂ:

- Întotdeauna scoateți praful din timp, deoarece puterea de aspirație va fi redusă dacă în aspirator există prea mult praf.
- Înainte de a utiliza aspiratorul, asigurați-vă întotdeauna că verificați atât filtrul, cât și prefiltrul în privința montării corecte. Dacă acestea nu sunt montate corect, praful va pătrunde în compartimentul motorului și va produce defectarea acestuia. Dacă apar următoarele situații, filtrul și prefiltrul nu sunt montate corect. Remontați-le corect pentru a remedia problema.

Exemple de probleme

Exemplul 1: A fost montat doar prefiltrul (fără filtru)

► **Fig.22:** 1. Prefiltru

Exemplul 2: A fost montat doar filtrul (fără prefiltru)

► **Fig.23:** 1. Filtru

Exemplul 3: Filtrul a fost montat într-o stare în care se „cojește”

► **Fig.24:** 1. Filtru

Exemplul 4: Buză de fixare a prefiltrului nu este blocată ferm în canelura carcasei aspiratorului

► **Fig.25:** 1. Canelura carcasei aspiratorului
2. Prefiltru 3. Buză de fixare

Reasamblare pentru filtrul de performanță ridicată

Conectați filtrul de performanță ridicată. În acest moment, asigurați-vă că rotiți filtrul de performanță ridicată, astfel încât buza de fixare să fie blocată ferm în unitatea aspiratorului.

► **Fig.26:** 1. Filtru de performanță ridicată 2. Buză de fixare

► **Fig.27:** 1. Buză de fixare

Conectați capsula. Aliniați simbolul O de pe capsulă cu simbolul O de pe mâner și rotiți ferm capsula în direcția săgeții până când aceasta se fixează.

► **Fig.28:** 1. Marcaj O

► **Fig.29:** 1. Mâner 2. Capsulă

NOTĂ:

- Întotdeauna scoateți praful din timp, deoarece puterea de aspirație va fi redusă dacă în aspirator există prea mult praf.
- Înainte de a utiliza aspiratorul, asigurați-vă întotdeauna că verificați dacă filtrul de performanță ridicată este montat corect. Dacă acestea nu sunt montate corect, praful va pătrunde în compartimentul motorului și va produce defectarea acestuia. Dacă apar următoarele situații, filtrul de performanță ridicată nu este montat corect. Remontați-le corect pentru a remedia problema.

Exemple de probleme

Buză de fixare a filtrului de performanță ridicată nu este blocată bine în canelura carcasei aspiratorului.

► **Fig.30:** 1. Buză de fixare 2. Canelura carcasei aspiratorului

FUNCȚIONARE

⚠️ ATENȚIE:

- Pentru a conecta un atașament cum ar fi duza, introduceți-l prin rotire în direcția săgeții pentru a asigura o conexiune sigură în timpul utilizării. Pentru a scoate atașamentul, extrageți-l de asemenea prin răsucire în direcția săgeții. Dacă atașamentul este rotit în direcția opusă, când este conectat sau deconectat, capsula se poate slăbi.

► Fig.31: 1. Capsulă

Curățarea (Aspirarea)

Duză

Montați duza pentru a curăța mesele, birourile, mobila etc. Duza alunecă foarte ușor.

► Fig.32: 1. Duză

Duză + Tub de extensie (Țeavă dreaptă)

Tubul de extensie se montează între duză și aspiratorul propriu-zis. Această configurație este confortabilă pentru curățarea podelei în timp ce stați în picioare.

► Fig.33: 1. Corp aspirator 2. Tub de extensie 3. Duză

Duză cotită

Montați duza pentru colțuri pentru a curăța colțurile și spațiile înguste ale unei mașini sau ale mobilei.

► Fig.34: 1. Duză de colț 2. Corp aspirator

Duză pentru colțuri + Tub de extensie (Țeavă dreaptă)

În locurile strâmte unde aspiratorul nu poate fi introdus, sau în locurile înalte la care este greu de ajuns, utilizați această configurație.

► Fig.35: 1. Duză de colț 2. Tub de extensie 3. Corp aspirator

Curățarea fără duză

Puteți ridica pulberea și praful fără duză.

► Fig.36

ÎNȚREȚINERE

⚠️ ATENȚIE:

- Asigurați-vă întotdeauna că aspiratorul este oprit, înainte de a încerca să efectuați inspecția sau întreținerea.

Curățarea

NOTĂ: Nu utilizați niciodată gazolină, benzină, diluant, alcool sau alte substanțe asemănătoare. În caz contrar, pot rezulta decolorări, deformări sau fisuri.

NOTĂ: Nu suflați depunerile de praf de pe aspirator și de pe filtre cu un dispozitiv de îndepărtare a prafului prin suflare cu aer comprimat. Acest lucru permite pătrunderea prafului în carcasă și cauzează defecțiuni.

NOTĂ: După spălare, uscați filtrele complet înainte de utilizare. Filtrele uscate insuficient pot avea ca efect o putere mică de aspirare și pot scurta durata de viață a motorului.

NOTĂ: După curățare, asigurați-vă că reinstalați filtrele și filtrul spongios înainte de utilizare. Praful pătrunde în carcasa motorului și cauzează defecțiuni dacă utilizați aspiratorul fără filtre și fără filtrul spongios.

Corp aspirator

Din când în când ștergeți suprafața exterioară (corpul aspiratorului) a aspiratorului utilizând o lavetă umezită în apă cu săpun.

Curățați și deschiderea de aspirare și zona de montaj a filtrului.

► Fig.37

Filtru

Spălați filtrul în apă cu săpun atunci când acesta este înfundat și când se reduce puterea aspiratorului. Uscați-l complet înainte de utilizare.

► Fig.38

Filtru spongios

Atunci când este murdar, curățați filtrul spongios respectând procedura următoare.

1. Scoateți filtrul.
2. Trageți filtrul spongios dintre stâlpi.
3. Curățați filtrul spongios, lovindu-l ușor cu palma sau spălându-l. Dacă îl spălați, uscați-l complet înainte de utilizare.
4. Introduceți filtrul spongios între stâlpi și fixați-l în poziția inițială. Asigurați-vă că fiecare margine inferioară a stâlpului apasă filtrul spongios și că nu există niciun spațiu liber între filtrul spongios și deschiderea de aspirare.

► Fig.39: 1. Filtru spongios 2. Margine inferioară a stâlpului

Suport de perete pentru aspirator cu acumulator

Accesorii opționale

NOTĂ: Șurubul pentru fixarea suportului nu este inclus. Pregătiți un șurub care să corespundă materialului de înșurubat.

Fixați suportul de perete pentru aspirator cu acumulator de un perete, o grindă sau o coloană solidă din lemn, unde suportul de perete pentru aspiratorul cu acumulator poate fi bine fixat. Asigurați-vă întotdeauna că suportul de perete pentru aspiratorul cu acumulator este bine fixat înainte de a agăța aspiratorul.

► **Fig.40:** 1. Suport de perete pentru aspirator cu acumulator

ATENȚIE: Nu agățați aspiratorul de suportul de perete într-un mod violent și nu agățați de el alte aparate electrocasnice.

Elemente care trebuie verificate înainte de a solicita reparațiile

Simptom	Zona care trebuie investigată	Metoda de fixare
Putere slabă de aspirație	<ul style="list-style-type: none">• Capsula este plină de praf?• Este filtrul înfundat?• Este bateria uzată?	<ul style="list-style-type: none">• Goliți praful din capsulă.• Scuturați de praf sau spălați filtrul.• Reîncărcați bateria.
Nu funcționează	<ul style="list-style-type: none">• Este bateria uzată?	<ul style="list-style-type: none">• Reîncărcați bateria.

NOTĂ:

- Nu încercați să reparați singur aspiratorul.

Pentru a menține siguranța și fiabilitatea mașinii, reparațiile și reglajele trebuie să fie efectuate numai la Centrele de service autorizat Makita, folosindu-se piese de schimb Makita.

ACCESORII OPȚIONALE

ATENȚIE:

- Folosiți accesoriile sau piesele auxiliare recomandate pentru mașina dumneavoastră în acest manual. Utilizarea oricăror alte accesorii sau piese auxiliare poate cauza vătămări. Folosiți accesoriile pentru operațiunea pentru care au fost concepute.

Dacă aveți nevoie de asistență sau de mai multe detalii referitoare la aceste accesorii, adresați-vă centrului local de service Makita.

- Tub de extensie (Țeavă dreaptă)
- Duză
- Duză pentru covoare
- Perie pentru rafturi
- Duză cotită
- Perie rotundă
- Furtun flexibil
- Filtru
- Prefiltru
- Filtru de performanță ridicată
- Suport de perete pentru aspirator cu acumulator
- Ciclon pentru colectarea prafului
- Acumulator și încărcător original Makita

NOTĂ:

- Unele articole din listă pot fi incluse ca accesorii standard în ambalajul de scule. Acestea pot diferi în funcție de țară.

Ciclon pentru colectarea prafului

► **Fig.41:** 1. Țeavă dreaptă 2. Ciclon pentru colectarea prafului 3. Orificiu de aspirație

Despre cicloul pentru colectarea prafului

Utilizarea aspiratorului cu cicloul pentru colectarea prafului montat reduce cantitatea de praf care ajunge în capsulă, ceea ce ajută la prevenirea diminuării forței de aspirare. În plus, și curățarea după utilizare este simplă.

ATENȚIE: Înainte de a executa orice lucrări la mașină, asigurați-vă întotdeauna că mașina este oprită și cartușul acumulatorului este scos. În cazul în care cartușul acumulatorului este lăsat în aspirator, acesta ar putea porni în mod neașteptat și poate provoca vătămări.

ATENȚIE: Curățați filtrul cu găuri al cicloului pentru colectarea prafului și filtrele unității aspiratorului atunci când se înfundă. Continuarea utilizării acestora atunci când sunt înfundate poate duce la încălzire sau la apariția emisiilor de fum.

NOTĂ: Când cicloul pentru colectarea prafului este atașat, nu utilizați aspiratorul în poziție orizontală sau orientat în sus. În caz contrar, filtrul cu găuri se poate înfunda.

NOTĂ: Utilizați întotdeauna aspiratorul cu filtrele montate, chiar și atunci când utilizați cicloul pentru colectarea prafului. Utilizarea aspiratorului fără filtrele montate poate provoca funcționarea necorespunzătoare a motorului.

NOTĂ: Înainte de utilizare, asigurați-vă că aspiratorul, cicloul pentru colectarea prafului și țeava dreaptă sunt blocate în mod corespunzător.

NOTĂ: Goliți cutia pentru praf a cicloului pentru colectarea prafului și capsula aspiratorului atunci când s-a acumulat praf. Continuarea utilizării va provoca diminuarea forței de aspirare.

Eliminarea prafului

Când s-a acumulat praf până la linia de pe cutia de praf care indică nivelul maxim, urmați procedura de mai jos și eliminați praful.

1. Țineți bine cutia pentru praf, apăsați și țineți apăsată cele două butoane și apoi scoateți cutia pentru praf.

► **Fig.42:** 1. Linia care indică nivelul maxim 2. Cutie pentru praf 3. Buton (două locuri) 4. Filtru cu găuri

2. Eliminați praful din cutia pentru praf și îndepărtați praful și particulele care s-au prins pe suprafața filtrului cu găuri.

3. Introduceți cutia pentru praf până la capăt, până când cele două butoane se blochează cu un clic.

► **Fig.43:** 1. Cutie pentru praf 2. Buton (două locuri)

NOTĂ: Înainte de reluarea operației, asigurați-vă că aspiratorul, cicloul pentru colectarea prafului și țeava dreaptă sunt toate bine conectate.

NOTĂ: Dacă forța de aspirare nu revine la normal nici după eliminarea prafului și curățarea filtrului cu găuri, verificați dacă s-a acumulat praf în capsula aspiratorului sau dacă aspiratorul este înfundat.

Curățarea

Când cutia de praf se murdărește sau filtrul cu găuri se înfundă, scoateți-le și spălați-le cu apă. (Pentru procedura de îndepărtare, consultați secțiunea „Eliminarea prafului”.)

Înainte de remontare și utilizare, uscați bine componentele.

► **Fig.44:** 1. Cutie pentru praf 2. Filtru cu găuri

Când filtrul cu găuri devine extrem de murdar, spălați-l urmând procedurile de mai jos.

1. Rotiți filtrul cu găuri în sens antiorar și scoateți-l când cârligele sunt deblocate.

► **Fig.45:** 1. Filtru cu găuri 2. Cârlig

2. Îndepărtați praful de pe filtrul cu găuri și spălați-l cu apă. Apoi, uscați-l bine.

3. Introduceți filtrul cu găuri în suport atunci când cârligele sunt aliniate cu orificiul. Rotiți filtrul cu găuri în sens orar până când cârligele se blochează cu un clic. Asigurați-vă că filtrul cu găuri este bine fixat în poziție.

► **Fig.46:** 1. Filtru cu găuri 2. Cârlig 3. Orificiu

УПОЗОРЕЊЕ

Деца старија од 8 година, особе са ограниченим физичким, сензорним или менталним способностима, као и особе без искуства и знања могу да користе овај апарат ако су под надзором или су били поучени о безбедној употреби апарата и разумеју потенцијалне опасности у вези са његовом употребом. Деца не смеју да се играју апаратом. Деца не смеју да чисте апарат и да обављају корисничко одржавање без надзора.

ТЕХНИЧКИ ПОДАЦИ

Модел	DCL140	DCL180	DCL180F
Капацитет	650 мл		
Континуирана примена	Око 20 мин		
Укупна дужина	981 мм	999 мм	
Нето тежина	1,2 - 1,4 кг	1,2 - 1,5 кг	1,3 - 1,6 кг
Номинални напон	DC 14,4 V		DC 18 V

- На основу нашег непрестаног истраживања и развоја задржавамо право измена наведених техничких података без претходне најаве.
- Спецификације могу да се разликују у различитим земљама.
- Тежина не укључује други прибор осим уложака батерије. У табели су приказане најлакше и најтеже комбинације тежине уређаја и уложка батерије.

Применљив уложак батерије и пуњач

Уложак батерије	DC 14,4 V модел	BL1415N / BL1430 / BL1430B / BL1440 / BL1450 / BL1460B
	DC 18 V модел	BL1815N / BL1820 / BL1820B / BL1830 / BL1830B / BL1840 / BL1840B / BL1850 / BL1850B / BL1860B
Пуњач	DC18RC / DC18RD / DC18RE / DC18SD / DC18SE / DC18SF / DC18SH	

- Неки горенаведени улошци батерија и пуњачи можда неће бити доступни у зависности од места становања.

▲ УПОЗОРЕЊЕ: Користите само горенаведене улошке батерије и пуњаче. Коришћење других уложака батерије и пуњача може узроковати повреде и/или пожар.

Симболи

У наставку су приказани симболи који се односе на опрему. Пре употребе се обавезно упознајте са њиховим значењем.



Прочитајте упутство за употребу.



Ni-MH
Li-ion

Само за земље ЕУ
Немојте да одлажете електричну опрему или батерију заједно са отпадом из домаћинства! У складу са европским директивама о електричном и електронском отпаду, батеријама и акумулаторима и истрошеним батеријама и акумулаторима и применом ових директива у складу са државним законима, електричну опрему, батерије и њихова паковања на крају радног века неопходно је одвојено прикупити и вратити у еколошки прихватљиво постројење за рециклажу.

Намена

Овај алат је намењен за сакупљање суве прашине.

Безбедносна упозорења за бежични чистач

▲ УПОЗОРЕЊЕ: ВАЖНО ПАЖЉИВО
ПРОЧИТАЈТЕ сва безбедносна упозорења и
упутства ПРЕ КОРИШЋЕЊА. Непοштовање
упозорења и упутстава може изазвати струјни
удар, пожар и/или тешке телесне повреде.

1. Алат немојте излагати киши. Чувајте у затвореном.
2. Не дозволите да се алат користи као играчка. Неопходна је велика пажња приликом коришћења алата од стране или у близини деце.
3. Користите алат само на начин описан у овом приручнику. Користите искључиво наставке које препоручује произвођач.
4. Немојте да користите алат са оштећеном батеријом. Ако апарат не ради правилно, ако се испусти, оштети, остави напољу или упадне у воду, вратите га у сервисни центар.
5. Немојте руковати апаратом мокрым рукама.
6. Не стављајте никакве предмете у отворе. Немојте да користите алат ако је неки отвор блокиран; уклањајте праšину, отпатке од предива, длаке и све што би могло да умањи проток ваздуха.
7. Држите косу, широку одећу, прсте и све делове тела даље од отвора и покретних делова.
8. Пре уклањања батерије искључите све контроле.
9. Будите нарочито пажљиви када чистите док сте на степеницама.
10. Немојте да користите уређај за сакупљање запаљивих течности као што је бензин, или у подручјима у којима би оне могле да буду присутне.
11. За пуњење користите искључиво пуњач који је доставио произвођач.
12. Немојте да сакупљате ништа што гори или се дими, као што су цигарете, шибнице или врели пепео.
13. Немојте да користите уређај без постављене вреће за праšину и/или филтера.
14. Немојте да пуните батерију на отвореном.
15. Пуните батерију искључиво помоћу пуњача који је навео произвођач. Ако се пуњач који је намењен за одређену врсту батерије користи са другом батеријом, може да дође до опасности од пожара.
16. Електричне алате користите само са батеријама које су предвиђене за њих. Коришћење других врста батерија може да изазове ризик од повреде и пожара.
17. Када се батерија не користи, држите је даље од других металних предмета, попут спајалица, новчића, кључева, ексера, завртања и других малих металних предмета који могу да преспоје два прикључка.
18. У случају злоупотребе батерије из ње може исцурити течност. У том случају, пазите да не дођете у додир с њом. Ако случајно дођете у додир с батеријом, исперите место додира водом.

19. Немојте да користите батерију или алат који су оштећени или модификовани. Оштећене или модификоване батерије могу испољити непредвидиво понашање које може довести до пожара, експлозије или ризика од задобијања повреда.
20. Немојте да излагате батерију или алат ватри или високој температури. Излагање ватри или температури изнад 130 °C може довести до експлозије.
21. Придржавајте се свих упутстава за пуњење и немојте да пуните батерију или алат изнад опсега температуре који је наведен у упутствима. Неисправно пуњење или пуњење на температурама изнад наведеног опсега може оштетити батерију и повећати ризик од пожара.

САЧУВАЈТЕ ОВО УПУТСТВО.

ДОДАТНА БЕЗБЕДНОСНА ПРАВИЛА

Овај уређај је намењен за кућну употребу.

1. Пре употребе пажљиво прочитајте овај приручник са упутствима и приручник са упутствима за пуњач.
2. Немојте да скупљате следеће материјале:
 - Вреле материјале, као што су запаљене цигарете или варнице / метална прашина настала брушењем/сечењем метала
 - Запаљиве материјале као што су бензин, разређивач, керозин или фарба
 - Експлозивне материјале као што је нитроглицерин
 - Запаљиве материјале као што су алуминијум, цинк, магнезијум, титанијум, фосфор или целулоид
 - Мокру праšину, воду, уље и слично
 - Чврсте предмете са оштрим ивицама, као што су опилци дрвета, метали, камен, стакло, ексери, клинови или жилети
 - Прах који се згушава, као што је цемент или тонер
 - Проводну праšину попут металне или угљене праšине
 - Фине честице, као што је бетонска прашинаТо би могло да доведе до пожара, повреде и/или оштећења имовине.
3. Одмах престаните са радом ако приметите било шта необично.
4. Ако испустите или ударите чистач, пре рада пажљиво проверите да ли на њему има пукотина или оштећења.
5. Немојте да користите уређај у близини шпорета или других топлотних извора.
6. Немојте да блокирате улазни отвор или вентилационе отворе.

САЧУВАЈТЕ ОВО УПУТСТВО.

Важна безбедносна упутства која се односе на уложак батерије

1. Пре употребе уложка батерије, прочитајте сва упутства и безбедносне ознаке на (1) пуњачу батерије, (2) батерији и (3) производу који користи батерију.
2. Немојте да расклапате уложак батерије.
3. Ако се време рада знатно скратило, одмах престаните са коришћењем. То може да доведе до ризика од прегревања, могућих опекотина, па чак и експлозије.
4. Ако електролит доспе у очи, исперите их чистом водом и одмах затражите помоћ лекара. То може да доведе до губитка вида.
5. Немојте да изазивате кратак спој уложка батерије:
 - (1) Немојте додиривати прикључке било којим проводним материјалом.
 - (2) Избегавајте складиштење уложка батерије у кутији са другим металним предметима као што ексери, новчићи итд.
 - (3) Немојте да излажете уложак батерије води или киши.Кратак спој батерије може да доведе до великог протока струје, прегревања, могућих опекотина, па чак и прегоривања.
6. Немојте да складиштите алат и уложак батерије на местима где температура може да достигне или премаши 50°C (122°F).
7. Немојте да палите уложак батерије чак ни када је озбиљно оштећен или потпуно похабан. Уложак батерије може да експлодира у ватри.
8. Пазите да не испустите и не ударите батерију.
9. Немојте да користите оштећену батерију.
10. Садржане литијум-јонске батерије подлежу Закону о превозу опасних материја. Приликом комерцијалног превоза, нпр. од стране трећих лица и превозника, мора се обратити посебна пажња на специјалне захтеве паковања и обележавања. Приликом припреме материјала за превоз, потребно је саветовати се са стручњаком за опасне материје. Такође обратите пажњу на евентуалне даље националне прописе. Омотајте траком или прекријте отворене контакте и запакујте батерију тако да се не може померати унутар паковања.
11. Када одлажете уложак батерије на отпад, извадите га из алата и одложите на безбедно место. Придржавајте се локалних прописа у вези са одлагањем батерије.
12. Батерије користите само са произвођима које је навела компанија Makita. Постављање батерије на производе који нису усаглашени може да доведе до пожара, прекомерне топлоте, експлозије или цурења електролита.
13. Ако се алат не користи током дужег периода, батерија мора да се извади из алата.

САЧУВАЈТЕ ОВО УПУТСТВО.

ПАЖЊА: Користите само оригиналне Makita батерије. Коришћење Makita батерија које нису оригиналне или батерија које су измењене може да доведе до пуцања батерије, које може да изазове пожар, телесне повреде или штету. То ће такође поништити гаранцију компаније Makita за Makita алат и пуњач.

Савети за максимално трајање батерије

1. Напуните уложак батерије пре него што се потпуно испразни. Сваки пут прекините рад са алатом и напуните уложак батерије када приметите да је снага алата слабија.
2. Никада немојте да поново пуните потпуно напуњени уложак батерије. Препуњавање скраћује радни век батерије.
3. Пуните уложак батерије на собној температури између 10°C и 40°C (између 50°F и 104°F). Сачекајте да се врући уложак батерије охлади пре пуњења.
4. Напуните уложак батерије ако га нећете користити дуже време (више од шест месеци).

ОПИС ФУНКЦИЈА АЛАТА

ПАЖЊА:

- Пре подешавања или провере функција алата увек проверите да ли је алат искључен и акумулатор одвојен пре подешавања и провере функција алата.
- Приликом убацивања батерије водите рачуна да вам се прсти не заглаве између чистача и батерије, као што је приказано на слици. То може да доведе до повреде.

► Слика1

Постављање или скидање акумулатора

► Слика2: 1. Црвени индикатор 2. Дугме 3. Кертриц батерије

ПАЖЊА:

- Увек искључите алат пре убацивања или уклањања акумулатора.
- Чврсто држите алат и кертриц батерије приликом инсталирања или уклањања кертрица батерије. Ако не budete чврсто држали алат и кертриц батерије, могу да вам исклизну из руку, што може да доведе до оштећења алата и кертрица батерије, као и телесних повреда.

Да бисте уклонили акумулатор, избаците га из алата притиском на тастер на предњој страни акумулатора.

За постављање кертрица батерије, поравнајте језичак на кертрицу батерије са жлебом на кућишту и убаците га. Убаците га у потпуности док не легне у на место и благо се зачује клик. Ако можете видети црвени индикатор на горњој страни тастера, кертриц није у потпуности у исправној позицији.

ПАЖЊА:

- Увек поставите кертриџ батерије у потпуности тако да се црвени индикатор не види. У супротном, случајно може испасти из алата, изазивајући повреду код вас или особе у вашој близини.
- Немојте на силу да инсталирате кертриџ батерије. Ако кертриџ не легне у позицију једноставно, не постављате га исправно.

Систем за заштиту акумулатора (литијум-јонска батерија за ознаком звезде)

Слика3: 1. Звездаста ознака

Литијум-јонске батерије са ознаком звездеце су опремљене системом за заштиту. Овај систем аутоматски прекида напајање алата како би продужио трајање батерије.

Алат ће аутоматски прекинути са радом ако се алат и/или акумулатор ставе у једно од следећих стања:

- Преоптерећење:**

Алатом се управља на начин који доводи до трошења абнормалне количине струје. У овој ситуацији, пустите прекидач на алату и престаните са употребом која је довела до преоптерећења алата. Потом повуците прекидач да бисте почели поново.

Ако алат не почне са радом, акумулатор је прегрејан. У овој ситуацији, дозволите батерији да се охлади пре поновног повлачења прекидача.
- Низак напон батерије:**

Преостали капацитет акумулатора је пренизак и алат неће функционисати. У овој ситуацији, извадите и напуните акумулатор.

Функционисање прекидача

Слика4: 1. Прекидач

ПАЖЊА:

- Пре убацивања акумулатора у алат, увек проверите да ли прекидач ради правилно и да ли се враћа у положај „OFF“ (искључивање) пошто га пустите.

За покретање алата, једноставно повуците прекидач. За заустављање алата пустите окидач.

Укључивање лампе

Само за модел DCL180F

ПАЖЊА:

- Никада не гледајте директно у светлост. Директна светлост штети вашим очима.

Слика5: 1. Лампа

Притисните окидач прекидача да бисте укључили лампицу. Отпустите окидач прекидача да бисте је искључили.

Приказ преосталог капацитета батерије

Само за улошке батерије са индикатором

Слика6: 1. Индикаторске лампице 2. Дугме за проверу

Притисните дугме за проверу на улошку батерије да бисте приказали преостали капацитет батерије. Индикаторске лампице ће се укључити на неколико секунди.

Индикаторске лампице			Преостали капацитет
Светли	Искључено	Трепће	
			Од 75% до 100%
			Од 50% до 75%
			Од 25% до 50%
			Од 0% до 25%
			Напуните батерију.
			Могуће је да је батерија постала неисправна.

НАПОМЕНА: У зависности од услова коришћења и температуре околине, приказани капацитет може донекле да се разликује од стварног.

МОНТАЖА

ПАЖЊА:

- Пре подешавања или провере функција алата увек проверите да ли је алат искључен и акумулатор одвојен пре обављања било каквог посла на алату.

Врста филтера

Нормални филтер

Слика7: 1. Капсула 2. Предфилтер 3. Филтер

Филтер високих перформанси

Слика8: 1. Капсула 2. Филтер високих перформанси

Одлагање прашине

ПАЖЊА:

- Испразните чистач пре него што се превише напуни или пре него што се смањи усисна снага.
- Обавезно избаците прашину унутар самог усисивача. Ако то не урадите може да се запуши филтер или да се оштети мотор.

Одлагање прашине код нормалних филтера

Да бисте избацили прашину која се залепила за филтер у капсули, ударите капсулу руком 4 или 5 пута.

Сада окрените усисни отвор на доле, окрените капсулу у смеру стрелице на слици и полако је одвојите.

► **Слика9:** 1. Капсула 2. Улаз за усисавање

НАПОМЕНА:

- Прашина може да се проспе приликом отварања капсуле, па испод капсуле обавезно поставите врећу за смеће.

Уклоните нагомилану прашину унутар капсуле и са предфилтера.

► **Слика10:** 1. Предфилтер 2. Капсула

Окрените предфилтер у смеру стрелице да бисте одвојили сигурносну ивицу са јединице усисивача, а затим извуците предфилтер.

► **Слика11:** 1. Предфилтер 2. Сигурносна ивица

Уклоните фину прашину са предфилтера. Затим скините филтер и лагано га ударајте да бисте избацили прашину.

► **Слика12:** 1. Предфилтер 2. Филтер

Одлагање прашине код филтера високих перформанси

Да бисте избацили прашину која се залепила за филтер у капсули, ударите капсулу руком 4 или 5 пута.

Сада окрените усисни отвор на доле, окрените капсулу у смеру стрелице на слици и полако је одвојите.

► **Слика13:** 1. Капсула 2. Улаз за усисавање

НАПОМЕНА:

- Прашина може да се проспе приликом отварања капсуле, па испод капсуле обавезно поставите врећу за смеће.

Уклоните нагомилану прашину унутар капсуле и са филтера високих перформанси.

► **Слика14:** 1. Капсула 2. Филтер високих перформанси

Окрените филтер високих перформанси у смеру стрелице да бисте одвојили сигурносну ивицу са јединице усисивача, а затим извуците филтер високих перформанси.

► **Слика15:** 1. Сигурносна ивица

Уклоните фину прашину и лагано га ударајте да бисте избацили прашину са филтера високих перформанси.

Склапање

Склапање код нормалних филтера

Поставите јединицу филтера на јединицу усисивача, тако да буде у потпуности на свом месту.

► **Слика16:** 1. Филтер

НАПОМЕНА:

- Филтер обавезно поставите право да се његов површински слој не би пресавио. Ако се филтер погрешно постави, као што је приказано на слици, прашина ће улазити у кућиште мотора и довести до квара мотора.

► **Слика17:** 1. Филтер

Поставите предфилтер. Затим обавезно окрените предфилтер тако да сигурносна ивица буде добро причвршћена за јединицу усисивача.

► **Слика18:** 1. Предфилтер

► **Слика19**

Поставите капсулу. Поравнајте симбол О на капсули са симболом О на ручки, а затим снажно окрените капсулу у смеру стрелице док се не причврсти.

► **Слика20:** 1. Ознака О

► **Слика21:** 1. Ручка 2. Капсула

НАПОМЕНА:

- Увек уклањајте прашину раније јер ће усисна снага бити смањена ако је у усисивачу превише прашине.
- Пре употребе усисивача увек проверите да ли су филтер и предфилтер правилно постављени. Ако нису правилно постављени, прашина ће улазити у кућиште мотора и узроковати квар мотора. Ако се појаве следећи проблеми, то значи да филтер и предфилтер нису правилно постављени. Поново их правилно поставите да бисте отклонили проблем.

Примери проблема

Пример 1: Постављен је само предфилтер (нема филтера)

► **Слика22:** 1. Предфилтер

Пример 2: Постављен је само филтер (нема предфилтера)

► **Слика23:** 1. Филтер

Пример 3: Филтер је постављен са пресавијеним површинским слојем

► **Слика24:** 1. Филтер

Пример 4: Сигурносна ивица предфилтера није добро убачена у жлеб кућишта усисивача

► **Слика25:** 1. Жлеб кућишта усисивача
2. Предфилтер 3. Сигурносна ивица

Склапање код филтера високих перформанси

Поставите филтер високих перформанси. Затим обавезно окрените филтер високих перформанси тако да сигурносна ивица буде добро причвршћена за јединицу усисивача.

► **Слика26:** 1. Филтер високих перформанси
2. Сигурносна ивица

► **Слика27:** 1. Сигурносна ивица

Поставите капсулу. Поравнајте симбол О на капсули са симболом О на ручки, а затим снажно окрените капсулу у смеру стрелице док се не причврсти.

► **Слика28:** 1. Ознака О

► **Слика29:** 1. Ручка 2. Капсула

НАПОМЕНА:

- Увек уклањајте праšину раније јер ће усисна снага бити смањена ако је у усисивачу превише праšине.
- Пре употребе усисивача увек проверите да ли је филтер високих перформанси правилно постављен. Ако није правилно постављен, прашина ће улазити у кућиште мотора и узроковати квар мотора. Ако се појаве следећи проблеми, то значи да филтер високих перформанси није правилно постављен. Поново га правилно поставите да бисте отклонили проблем.

Примери проблема

Сигурносна ивица филтера високих перформанси није добро убачена у жлеб кућишта усисивача.

- **Слика30:** 1. Сигурносна ивица 2. Жлеб кућишта усисивача

РАД

⚠ ПАЖЊА:

- Да бисте повезали наставке као што је млазница, убаците их уз окретање у смеру стрелице да бисте обезбедили сигуран спој током употребе. Да бисте скинули наставке, извуците их уз окретање у смеру стрелице. Ако се наставак окрене у супротном смеру приликом повезивања или скидања, капсула може да се олабави.

- **Слика31:** 1. Капула

Чишћење (усисавање)

Млазница

Поставите млазницу за чишћење столова, радних столова, намештаја итд. Млазница се лако навлачи.

- **Слика32:** 1. Млазница

Млазница + телескопска цев (права цев)

Телескопска цев се убацује између млазнице и самог чистача. Овај склоп је погодан за чишћење подова из усправног положаја.

- **Слика33:** 1. Тело чистача 2. Телескопска цев 3. Млазница

Угаона цев

Поставите угаону цев за чишћење хошкова и превоја у аутомобилу или на намештају.

- **Слика34:** 1. Угаона цев 2. Тело чистача

Угаона цев + телескопска цев (права цев)

Овај склоп користите у скученим просторима у које не може да стане сам чистач, или на високим местима која је тешко дохватити.

- **Слика35:** 1. Угаона цев 2. Телескопска цев 3. Тело чистача

Чишћење без млазнице

Праш и праšину можете да уклоните без млазнице.

- **Слика36**

ОДРЖАВАЊЕ

⚠ ПАЖЊА:

- Пре него што почнете с прегледом или одржавањем алата, увек проверите да ли је алат искључен.

Чишћење

ОБАВЕШТЕЊЕ: Никад немојте да користите нафту, бензин, разређивач, алкохол и слична средства. Може доћи до губитка боје, деформације или оштећења.

ОБАВЕШТЕЊЕ: Немојте да чистите праšину која се залепила за чистач и филтере помоћу распршивача ваздуха. На тај начин се прашина уноси у кућиште и изазива кварове.

ОБАВЕШТЕЊЕ: Након што оперете филтере, добро их осушите пре употребе. Недовољно осушени филтери могу да доведу до лошег усисавања и скрате радни век мотора.

ОБАВЕШТЕЊЕ: Након што очистите филтере и сунђерасти филтер, обавезно их поново монтирајте пре употребе. Ако користите чистач без филтера и сунђерастог филтера, прашина улази у кућиште мотора и изазива кварове.

Тело чистача

С времена на време обришите спољашњост (кућиште) чистача помоћу тканине натопљене сапуницом.

Очистите и отвор за усисавање и област за монтирање филтера.

- **Слика37**

Филтер

Филтер оперите сапуницом када се запуши од праšине и када се смањи снага чистача. Добро га осушите пре употребе.

- **Слика38**

Сунђерасти филтер

Када се сунђерасти филтер запрља, очистите га на следећи начин.

1. Скините филтер.
 2. Извуците сунђерасти филтер између стубова.
 3. Очистите сунђерасти филтер лупкањем или прањем. Ако га оперете, добро га осушите пре употребе.
 4. Убаците сунђерасти филтер између стубова и поставите га у првобитни положај. Уверите се да доња ивица сваког стуба држи сунђерасти филтер и да између сунђерастог филтера и отвора за усисавање нема размака.
- **Слика39:** 1. Сунђерасти филтер 2. Доња ивица стуба

Зидни носач за бежични чистач

Опциони додатни прибор

НАПОМЕНА: Завртањ за монтирање зидног носача није укључен. Припремите завртањ који одговара материјалу у који га постављате.

Поставите зидни носач за бежични чистач на чврсти зид од дрвета, греду или стуб, на место на којем зидни носач за бежични чистач може безбедно да се причврсти. Увек се уверите да је зидни носач за бежични чистач добро причвршћен пре него што окачите чистач.

► **Слика40:** 1. Зидни носач за бежични чистач

ПАЖЊА: Немојте насилно да качите чистач на зидни носач и немојте да качите друге апарате.

Ствари које би требало проверити пре него што се затражи поправка

Симптом	Шта треба проверити	Начин поправке
Мала усисна снага	<ul style="list-style-type: none">• Да ли је капсула пуна прашине?• Да ли је филтер запушен?• Да ли се батерија испразнила?	<ul style="list-style-type: none">• Избаците прашину из капсуле.• Обришите прашину са филтера или га исперите.• Поново напуните батерију.
Не ради	<ul style="list-style-type: none">• Да ли се батерија испразнила?	<ul style="list-style-type: none">• Поново напуните батерију.

НАПОМЕНА:

- Не покушавајте да сами поправите чистач.

БЕЗБЕДАН и ПОУЗДАН рад алата гарантујемо само ако поправке, свако друго одржавање или подешавање, препустите овлашћеном сервису за алат Makita, уз употребу оригиналних резервних делова Makita.

ОПЦИОНИ ДОДАТНИ ПРИБОР

ПАЖЊА:

- Ова опрема и прибор намењени су за употребу са алатом Makita описаним у овом упутству за употребу. Употреба друге опреме и прибора може да доведе до повреда. Делове прибора или опрему користите само за предвиђену намену.

Да бисте сазнали детаље у вези са овим додатним прибором обратите се локалном сервисном центру Makita.

- Телескопска цев (права цев)
- Млазница
- Млазница за тепих
- Четка за полице
- Угаона цев
- Округла четка
- Савитљиво црево
- Филтер
- Предфилтер
- Филтер високих перформанси
- Зидни носач за бежични чистач
- Додатак за циклон
- Makita оригинална батерија и пуњач

НАПОМЕНА:

- Поједине ставке на листи могу бити укључене у садржај паковања алата као стандардна опрема. Могу се разликовати од земље до земље.

Додатак за циклон

► **Слика41:** 1. Права цев 2. Додатак за циклон 3. Улаз за усисавање

О додатку за циклон

Коришћење чистача са постављеним додатком за циклон смањује количину прашине која улази у капсулу и на тај начин спречава да се снага усисавања смањи. Поред тога, чишћење након употребе је такође једноставно.

ПАЖЊА: Пре обављања било каквог посла на алату увек проверите да ли је он искључен и да ли је уложак батерије уклоњен. Ако је уложак батерије уметнут, чистач може неочекивано да се покрене и доведе до телесне повреде.

ПАЖЊА: Очистите мрежасте филтер додатка за циклон и филтере јединице чистача када се запуше. Ако наставите да користите чистач у запушеном стању, може доћи до загревања или дима.

ОБАВЕШТЕЊЕ: Када је додатак за циклон постављен, немојте да користите чистач у хоризонталном или усправном положају. У супротном, мрежасте филтер може да се загуши.

ОБАВЕШТЕЊЕ: Увек користите чистач са постављеним филтерима чак и када користите додатак за циклон. Коришћење чистача без постављених филтера може да доведе до квара мотора.

НАПОМЕНА: Пре употребе проверите да ли су додатак за циклон, чистач и права цев правилно причвршћени.

НАПОМЕНА: Испразните кућиште за праšину додатка за циклон и капсулу чистача када се накупи прашина. Ако наставите да користите чистач, снага усисавања може да се смањи.

Одлагање праšине

Када се прашина накупи до пуне линије кућишта за праšину, следите поступке у наставку и одложите праšину.

1. Чврсто држите кућиште за праšину, притисните и држите два дугмета и уклоните кућиште за праšину.
► **Слика42:** 1. Пуна линија 2. Кућиште за праšину 3. Дугме (два места) 4. Мрежаст филтер
2. Одложите праšину унутар кућишта за праšину и уклоните праšину и прах накупњен на површини мрежастог филтера.
3. Уметните кућиште за праšину скроз до краја, док не чујете да су два дугмета улегла.
► **Слика43:** 1. Кућиште за праšину 2. Дугме (два места)

НАПОМЕНА: Пре почетка примене проверите да ли су додатак за циклон, чистач и права цев чврсто повезани.

НАПОМЕНА: Ако се снага усисавања не врати ни након одлагања праšине и чишћења мрежастог филтера, проверите да ли има праšине у капсули чистача или је дошло до запушења.

Чишћење

Када се кућиште за праšину запрља или мрежаст филтер запуши, уклоните и исперите их водом. (Погледајте „Одлагање праšине“ ради поступка за уклањање.)

Добро осушите делове пре поновног постављања и коришћења.

- **Слика44:** 1. Кућиште за праšину 2. Мрежаст филтер

Када се мрежаст филтер веома запрља, очистите га предузимајући следеће поступке.

1. Мрежаст филтер окрените налево и уклоните га док су кукe откључане.
► **Слика45:** 1. Мрежаст филтер 2. Кука
2. Уклоните праšину са мрежастог филтера, а затим га исперите водом. Након тога, добро га осушите.
3. Уметните мрежаст филтер у постоље док су кукe поравнате са отвором. Мрежаст филтер окрените надесно док не чујете да су кукe улегле. Проверите да ли је мрежаст филтер безбедно постављен.
► **Слика46:** 1. Мрежаст филтер 2. Кука 3. Отвор

ОСТОРОЖНО

Данный инструмент могут использовать дети с 8 лет и лица с ограниченными физическими, сенсорными или умственными способностями, а также не имеющие надлежащего опыта и знаний, только в случаях, когда они действуют под руководством или после надлежащего инструктажа по безопасному использованию инструмента и осознают возможные опасности. Не разрешайте детям играть с инструментом. Детям запрещается проводить чистку и обслуживание без контроля со стороны взрослых.

ТЕХНИЧЕСКИЕ ХАРАКТЕРИСТИКИ

Модель	DCL140	DCL180	DCL180F
Производительность	650 мл		
Продолжительность использования	Приблизительно 20 мин		
Общая длина	981 мм	999 мм	
Вес нетто	1,2 - 1,4 кг	1,2 - 1,5 кг	1,3 - 1,6 кг
Номинальное напряжение	14,4 В пост. Тока		18 В пост. Тока

- Благодаря нашей постоянно действующей программе исследований и разработок указанные здесь технические характеристики могут быть изменены без предварительного уведомления.
- Технические характеристики могут различаться в зависимости от страны.
- В значение массы не входит масса принадлежностей, только масса блок(ов) аккумулятора. Наименьшая и наибольшая совокупная масса инструмента и блока(ов) аккумулятора указана в таблице.

Подходящий блок аккумулятора и зарядное устройство

Блок аккумулятора	Модель 14,4 В пост. тока	BL1415N / BL1430 / BL1430B / BL1440 / BL1450 / BL1460B
	Модель 18 В пост. тока	BL1815N / BL1820 / BL1820B / BL1830 / BL1830B / BL1840 / BL1840B / BL1850 / BL1850B / BL1860B
Зарядное устройство		DC18RC / DC18RD / DC18RE / DC18SD / DC18SE / DC18SF / DC18SH

- В зависимости от региона проживания некоторые блоки аккумуляторов и зарядные устройства, перечисленные выше, могут быть недоступны.

⚠ ОСТОРОЖНО: Используйте только перечисленные выше блоки аккумуляторов и зарядные устройства. Использование других блоков аккумуляторов и зарядных устройств может привести к травме и/или пожару.

Символы

Ниже приведены символы, которые могут использоваться для обозначения оборудования. Перед использованием убедитесь в том, что вы понимаете их значение.



Прочитайте руководство по эксплуатации.



Только для стран ЕС
Не выбрасывайте электрооборудование или аккумуляторы вместе с бытовым мусором! В соответствии с европейскими директивами об утилизации электрического и электронного оборудования, о батареях и аккумуляторах, а также использованных батареях и аккумуляторах и их применении в соответствии с местными законами электрооборудование, батареи и аккумуляторы, срок эксплуатации которых истек, должны утилизироваться отдельно и передаваться для утилизации на предприятие, соответствующее применяемым правилам охраны окружающей среды.

Назначение

Данный инструмент предназначен для сбора сухой пыли.

Правила техники безопасности при эксплуатации аккумуляторного пылесоса

▲ ОСТОРОЖНО: ВАЖНО! ВНИМАТЕЛЬНО ОЗНАКОМЬТЕСЬ со всеми инструкциями и рекомендациями по технике безопасности ДО НАЧАЛА РАБОТЫ. Невыполнение инструкций и рекомендаций может привести к поражению электротоком, пожару и/или тяжелым травмам.

1. Берегите от дождя. Храните в помещении.
2. Не позволяйте использовать в качестве игрушки. Если инструмент используют дети или инструмент используется рядом с детьми, соблюдайте особую осторожность.
3. Используйте только так, как описано в настоящем руководстве. Используйте только принадлежности, рекомендованные производителем.
4. Не используйте с поврежденным аккумулятором. Если инструмент не работает должным образом, был уронен, поврежден, забыт на улице или попал в воду, отнесите его в сервисный центр.
5. Не берите инструмент мокрыми руками.
6. Не помещайте какие-либо предметы в отверстие. Не используйте, если какое-либо отверстие заблокировано. Предотвращайте попадание пыли, пуха, волос и других материалов, способных уменьшить поток воздуха.
7. Держите волосы, свободную одежду, пальцы и другие части тела подальше от отверстий и движущихся деталей.
8. Перед снятием аккумулятора выключите все регуляторы.
9. Проявляйте особую осторожность при чистке на лестницах.
10. Не используйте для сбора огнеопасных или воспламеняющихся жидкостей, например бензина, и не используйте там, где они могут присутствовать.
11. Для зарядки используйте только зарядное устройство, поставляемое производителем.
12. Не собирайте ничего, что горит или дымится, например, окурки, спички или горячий пепел.
13. Не используйте без установленных фильтров и/или пылесборного мешка.
14. Не заряжайте аккумулятор на улице.
15. Заряжайте аккумулятор только зарядным устройством, указанным изготовителем. Зарядное устройство, подходящее для одного типа аккумуляторных блоков, может привести к пожару при его использовании с другим аккумуляторным блоком.
16. Используйте электроинструмент только с указанными аккумуляторными блоками. Использование других аккумуляторных блоков может привести к травме или пожару.

17. Когда аккумуляторный блок не используется, храните его отдельно от металлических предметов, таких как скрепки, монеты, ключи, гвозди, шурупы или другие небольшие металлические предметы, которые могут привести к короткому замыканию контактов аккумуляторного блока.
18. При неправильном обращении из аккумуляторного блока может потечь жидкость. Избегайте контакта с ней. В случае контакта с кожей промойте место контакта обильным количеством воды.
19. Не используйте поврежденные или модифицированные инструменты и аккумуляторные блоки. Поврежденные или модифицированные аккумуляторы могут работать некорректно, что может привести к пожару, взрыву или травмированию.
20. Не подвергайте аккумуляторный блок или инструмент воздействию огня или высокой температуры. Воздействие огня или температуры выше 130 °C может привести к взрыву.
21. Следуйте всем инструкциям по зарядке и не заряжайте аккумуляторный блок или инструмент при температурных условиях, выходящих за пределы диапазона, указанного в инструкции. Зарядка ненадлежащим образом или при температурных условиях, выходящих за пределы указанного диапазона, может привести к повреждению батареи и повысить риск пожара.

СОХРАНИТЕ ДАННЫЕ ИНСТРУКЦИИ.

ДОПОЛНИТЕЛЬНЫЕ ПРАВИЛА ТЕХНИКИ БЕЗОПАСНОСТИ

Этот инструмент предназначен для домашнего использования.

1. Перед использованием внимательно прочитайте это руководство по эксплуатации и руководство по эксплуатации зарядного устройства.
2. Запрещается собирать следующие материалы:
 - горячие материалы (напр., зажженные сигареты) или искры/стружку при шлифовке/резании металла
 - горючие материалы (например, бензин, растворитель, бензол, керосин или краска)
 - взрывоопасные материалы (например, нитроглицерин)
 - воспламеняющиеся материалы (например, алюминий, цинк, магний, титан, фосфор или целлулоид)
 - жидкую грязь, воду, масло и подобные материалы
 - твердые частицы с острыми краями (например, древесные стружки, металлы, камни, стекла, гвозди, штифты или бритвы)
 - пыль от цемента или тонера

- электропроводящую пыль (например, металлов или угля)
- тонкодисперсные частицы (например, пыль от бетона)

Подобные действия могут привести к пожару, травмам и/или повреждению имущества.

3. Немедленно прекратите работу, если вы заметили какие-либо отклонения.
4. Тщательно проверьте пылесос перед началом эксплуатации на предмет наличия трещин и повреждений, если вы уронили или ударили его.
5. Не подносите близко к печам и источникам тепла.
6. Не блокируйте входные и вентиляционные отверстия.

СОХРАНИТЕ ДАННЫЕ ИНСТРУКЦИИ.

Важные правила техники безопасности для работы с аккумуляторным блоком

1. Перед использованием аккумуляторного блока прочитайте все инструкции и предупреждения надписи на (1) зарядном устройстве, (2) аккумуляторном блоке и (3) инструменте, работающем от аккумуляторного блока.
2. Не разбирайте аккумуляторный блок.
3. Если время работы аккумуляторного блока значительно сократилось, немедленно прекратите работу. В противном случае, может возникнуть перегрев блока, что приведет к ожогам и даже к взрыву.
4. В случае попадания электролита в глаза промойте их обильным количеством чистой воды и немедленно обратитесь к врачу. Это может привести к потере зрения.
5. Не замыкайте контакты аккумуляторного блока между собой:
 - (1) Не прикасайтесь к контактам какими-либо токопроводящими предметами.
 - (2) Не храните аккумуляторный блок в контейнере вместе с другими металлическими предметами, такими как гвозди, монеты и т. п.
 - (3) Не допускайте попадания на аккумуляторный блок воды или дождя.
 Замыкание контактов аккумуляторного блока между собой может привести к возникновению большого тока, перегреву, возможному ожогу и даже поломке блока.
6. Не храните инструмент и аккумуляторный блок в местах, где температура может достигать или превышать 50 °C (122 °F).
7. Не бросайте аккумуляторный блок в огонь, даже если он сильно поврежден или полностью вышел из строя. Аккумуляторный блок может взорваться под действием огня.
8. Не роняйте и не ударяйте аккумуляторный блок.

9. Не используйте поврежденный аккумуляторный блок.
10. Входящие в комплект литий-ионные аккумуляторы должны эксплуатироваться в соответствии с требованиями законодательства об опасных товарах. При коммерческой транспортировке, например, третьей стороной или экспедитором, необходимо нанести на упаковку специальные предупреждения и маркировку. В процессе подготовки устройства к отправке обязательно проконсультируйтесь со специалистом по опасным материалам. Также соблюдайте местные требования и нормы. Они могут быть строже. Закройте или закрепите разомкнутые контакты и упакуйте аккумулятор так, чтобы он не перемещался по упаковке.
11. Для утилизации блока аккумулятора извлеките его из инструмента и утилизируйте безопасным способом. Выполняйте требования местного законодательства по утилизации аккумуляторного блока.
12. Используйте аккумуляторы только с продукцией, указанной Makita. Установка аккумуляторов на продукцию, не соответствующую требованиям, может привести к пожару, перегреву, взрыву или утечке электролита.
13. Если инструментом не будут пользоваться в течение длительного периода времени, извлеките аккумулятор из инструмента.

СОХРАНИТЕ ДАННЫЕ ИНСТРУКЦИИ.

▲ВНИМАНИЕ: Используйте только фирменные аккумуляторные батареи Makita. Использование аккумуляторных батарей, не произведенных Makita, или батарей, которые были подвергнуты модификациям, может привести к взрыву аккумулятора, пожару, травмам и повреждению имущества. Это также автоматически аннулирует гарантию Makita на инструмент и зарядное устройство Makita.

Советы по обеспечению максимального срока службы аккумулятора

1. Заряжайте блок аккумуляторов перед его полной разрядкой. Обязательно прекратите работу с инструментом и зарядите блок аккумуляторов, если вы заметили снижение мощности инструмента.
2. Никогда не подзаряжайте полностью заряженный блок аккумуляторов. Перезарядка сокращает срок службы аккумулятора.
3. Заряжайте блок аккумуляторов при комнатной температуре в 10 - 40 °C (50 - 104 °F). Перед зарядкой горячего блока аккумуляторов дайте ему остыть.
4. Зарядите ионно-литиевый аккумуляторный блок, если вы не будете пользоваться инструментом длительное время (более шести месяцев).

ОПИСАНИЕ ФУНКЦИОНИРОВАНИЯ

⚠ ВНИМАНИЕ:

- Перед регулировкой или проверкой функционирования всегда отключайте инструмент и вынимайте блок аккумуляторов.
- Соблюдайте осторожность, чтобы при установке батареи не защемить пальцы между пылесосом и батареей, как показано на рисунке. Это может привести к травме.

► Рис.1

Установка или снятие блока аккумуляторов

► Рис.2: 1. Красный индикатор 2. Кнопка 3. Блок аккумулятора

⚠ ВНИМАНИЕ:

- Обязательно выключайте инструмент перед установкой и извлечением аккумуляторного блока.
- При установке или снятии аккумуляторного блока надежно удерживайте инструмент и аккумуляторный блок. Иначе инструмент или аккумуляторный блок могут выскользнуть из рук, что может привести к травмам или повреждению инструмента и аккумуляторного блока.

Для снятия аккумуляторного блока нажмите кнопку на лицевой стороне и извлеките блок.

Для установки аккумуляторного блока совместите выступ блока с пазом в корпусе и задвиньте его на место. Устанавливайте блок до упора так, чтобы он зафиксировался на месте с небольшим щелчком. Если вы можете видеть красный индикатор на верхней части клавиши, аккумуляторный блок не полностью установлен на месте.

⚠ ВНИМАНИЕ:

- Обязательно устанавливайте аккумуляторный блок до конца, чтобы красный индикатор не был виден. В противном случае аккумуляторный блок может выпасть из инструмента и нанести травму вам или другим людям.
- Не прилагайте чрезмерных усилий при установке аккумуляторного блока. Если блок не двигается свободно, значит он вставлен неправильно.

Система защиты аккумуляторной батареи (ионно-литиевый аккумуляторный блок со звездочкой)

► Рис.3: 1. Звездочка

В ионно-литиевых аккумуляторных блоках со звездочкой предусмотрена система защиты. Она автоматически отключает питание для продления срока службы аккумуляторного блока. Инструмент автоматически остановится во время работы при возникновении указанных ниже ситуаций:

- Перегрузка:
Из-за способа эксплуатации инструмент потребляет очень большое количество тока. В этом случае отпустите курковый переключатель на инструменте и прекратите использование, повлекшее перегрузку инструмента. Затем снова нажмите на курковый выключатель для перезапуска. Если инструмент не включается, значит, перегрелся аккумуляторный блок. В этом случае дайте ему остыть перед повторным нажатием на курковый выключатель.
- Низкое напряжение аккумуляторной батареи:
Уровень оставшегося заряда аккумулятора слишком низкий и инструмент не работает. В этом случае снимите и зарядите аккумуляторный блок.

Действие выключателя

► Рис.4: 1. Курковый выключатель

⚠ ВНИМАНИЕ:

- Перед вставкой блока аккумуляторов в инструмент, всегда проверяйте, что триггерный переключатель работает надлежащим образом и возвращается в положение "ВЫКЛ", если его отпустить.

Для запуска инструмента просто нажмите триггерный переключатель. Отпустите триггерный переключатель для остановки.

Включение лампы

Только для модели DCL180F

⚠ ВНИМАНИЕ:

- Не смотрите непосредственно на источник света. Прямое попадание света в глаза может привести к травме глаз.

► Рис.5: 1. Лампа

Нажмите триггерный переключатель, чтобы включить лампу. Отпустите триггерный переключатель для отключения лампы.




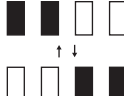
Индикация оставшегося заряда аккумулятора

Только для блоков аккумулятора с индикатором

► Рис.6: 1. Индикаторы 2. Кнопка проверки

Нажмите кнопку проверки на аккумуляторном блоке для проверки заряда. Индикаторы загорятся на несколько секунд.

Индикаторы			Уровень заряда
Горит	Выкл.	Мигает	
■ ■ ■ ■	□	□	от 75 до 100%
■ ■ ■ □	□	□	от 50 до 75%
■ ■ □ □	□	□	от 25 до 50%
■ □ □ □	□	□	от 0 до 25%
▣ □ □ □	□	□	Зарядите аккумуляторную батарею.

Индикаторы			Уровень заряда
 Горит	 Выкл.	 Мигает	
			Возможно, аккумуляторная батарея неисправна.

ПРИМЕЧАНИЕ: В зависимости от условий эксплуатации и температуры окружающего воздуха индикация может незначительно отличаться от фактического значения.

МОНТАЖ

⚠ ВНИМАНИЕ:

- Перед проведением каких-либо работ с инструментом всегда проверяйте, что инструмент отключен, а блок аккумуляторов снят.

Тип фильтра

Обычный фильтр

► **Рис.7:** 1. Контейнер 2. Фильтр предварительной очистки 3. Фильтр

Высокоэффективный фильтр

► **Рис.8:** 1. Контейнер 2. Высокоэффективный фильтр

Удаление пыли

⚠ ВНИМАНИЕ:

- Опорожните пылесос до того, как он заполнится, или сила всасывания уменьшится.
- Обязательно удалите пыль внутри самого пылесоса. Невыполнение этого условия может привести к загрязнению фильтра или к повреждению мотора.

Очистка обычного фильтра от пыли

Чтобы стряхнуть грязь, налипшую на фильтр, постучите рукой по фильтру 4 - 5 раз. Переверните всасывающим отверстием вниз, поверните контейнер по стрелке и отсоедините контейнер, осторожно потянув в прямом направлении.

► **Рис.9:** 1. Контейнер 2. Впускное отверстие всасывания

ПРИМЕЧАНИЕ:

- При открытии контейнера пыль может высыпаться, поэтому не забудьте подставить под контейнер мусорное ведро.

Удалите скопившуюся пыль из контейнера и из фильтра предварительной очистки.

► **Рис.10:** 1. Фильтр предварительной очистки 2. Контейнер

Поверните фильтр предварительной очистки по стрелке, чтобы вывести из зацепления фиксирующий буртик, и снимите фильтр.

► **Рис.11:** 1. Фильтр предварительной очистки 2. Фиксирующий буртик

Удалите мелкую пыль из фильтра предварительной очистки. Затем снимите фильтр и слегка постучите, чтобы выбить пыль.

► **Рис.12:** 1. Фильтр предварительной очистки 2. Фильтр

Очистка высокоэффективного фильтра от пыли

Чтобы стряхнуть грязь, налипшую на фильтр, постучите рукой по фильтру 4 - 5 раз.

Переверните всасывающим отверстием вниз, поверните контейнер по стрелке и отсоедините контейнер, осторожно потянув в прямом направлении.

► **Рис.13:** 1. Контейнер 2. Впускное отверстие всасывания

ПРИМЕЧАНИЕ:

- При открытии контейнера пыль может высыпаться, поэтому не забудьте подставить под контейнер мусорное ведро.

Удалите скопившуюся пыль из контейнера и из высокоэффективного фильтра.

► **Рис.14:** 1. Контейнер 2. Высокоэффективный фильтр

Поверните высокоэффективный фильтр по стрелке, чтобы вывести из зацепления фиксирующий буртик, и снимите фильтр.

► **Рис.15:** 1. Фиксирующий буртик

Удалите мелкую пыль и слегка постучите, чтобы удалить пыль с высокоэффективного фильтра.

Сборка

Сборка обычного фильтра

Установите фильтр в пылесос до упора.

► **Рис.16:** 1. Фильтр

ПРИМЕЧАНИЕ:

- Убедитесь, что фильтр установлен прямо и не завернулся. Если фильтр установлен неправильно, как показано на рисунке, пыль проникнет в мотор, что приведет к выходу его из строя.

► **Рис.17:** 1. Фильтр

Подсоедините фильтр предварительной очистки. При этом поверните фильтр предварительной очистки так, чтобы фиксирующий буртик плотно вошел в зацепление с пылесосом.

► **Рис.18:** 1. Фильтр предварительной очистки

► **Рис.19**

Подсоедините контейнер. Совместите значок O на контейнере со значком O на рукоятке, затем уверенно поверните контейнер по стрелке до фиксации.

► **Рис.20:** 1. Значок O

► **Рис.21:** 1. Рукоятка 2. Контейнер

ПРИМЕЧАНИЕ:

- Обязательно заблаговременно удаляйте пыль, так как сила всасывания снижается, если в пылесосе скопилось много пыли.
- Перед включением пылесоса обязательно проверяйте правильность установки предварительного и основного фильтра. Если они установлены неправильно, пыль попадет в корпус мотора и станет причиной его поломки. Возникновение приведенных ниже ситуаций означает, что предварительный и основной фильтры установлены неправильно. Чтобы устранить проблему, установите их правильно.

Примеры проблем

Пример 1: Установлен только фильтр предварительной очистки (без основного фильтра)

► **Рис.22:** 1. Фильтр предварительной очистки

Пример 2: Установлен только основной фильтр (без фильтра предварительной очистки)

► **Рис.23:** 1. Фильтр

Пример 3: Фильтр при установке завернулся

► **Рис.24:** 1. Фильтр

Пример 4: Фиксирующий буртик фильтра предварительной очистки недостаточно прочно зафиксирован в пазе кожуха пылесоса

► **Рис.25:**

1. Паз в корпусе пылесоса
2. Фильтр предварительной очистки
3. Фиксирующий буртик

Сборка высокоэффективного фильтра

Установите высокоэффективный фильтр. Для этого поверните высокоэффективный фильтр так, чтобы фиксирующий буртик плотно вошел в зацепление с пылесосом.

► **Рис.26:** 1. Высокоэффективный фильтр
2. Фиксирующий буртик

► **Рис.27:** 1. Фиксирующий буртик

Подсоедините контейнер. Совместите значок О на контейнере со значком О на рукоятке, затем уверенно поверните контейнер по стрелке до фиксации.

► **Рис.28:** 1. Значок О

► **Рис.29:** 1. Рукоятка 2. Контейнер

ПРИМЕЧАНИЕ:

- Обязательно заблаговременно удалите пыль, так как сила всасывания снижается, если в пылесосе скопилось много пыли.
- Перед включением пылесоса обязательно проверяйте правильность установки высокоэффективного фильтра. Если они установлены неправильно, пыль попадет в корпус мотора и станет причиной его поломки. Возникновение приведенных ниже ситуаций означает, что высокоэффективный фильтр установлен неправильно. Чтобы устранить проблему, установите их правильно.

Примеры проблем

Фиксирующий буртик высокоэффективного фильтра недостаточно прочно закреплен в пазе корпуса пылесоса.

► **Рис.30:** 1. Фиксирующий буртик 2. Паз в корпусе пылесоса

ЭКСПЛУАТАЦИЯ

ВНИМАНИЕ:

- Для подсоединения насадок, таких как сопло, поверните и вставьте насадку по стрелке, чтобы обеспечить надежное крепление во время работы. Для отсоединения насадки поверните и извлеките ее по стрелке. Если при установке или снятии повернуть насадку в другую сторону, контейнер может отсоединиться.

► **Рис.31:** 1. Контейнер

Чистка (Всасывание)

Патрубок

Прикрепите патрубок для чистки столов, письменных столов, мебели и т.д. Патрубок легко скользит.

► **Рис.32:** 1. Форсунка

Патрубок + Удлиняющая труба (Прямая труба)

Удлиняющая труба вставляется между патрубком и самим пылесосом. С помощью такого приспособления удобно чистить полы, стоя вертикально.

► **Рис.33:** 1. Корпус пылесоса 2. Удлиняющая труба 3. Форсунка

Угловой патрубок

Прикрепите угловой патрубок для чистки углов и щелей автомобилей или мебели.

► **Рис.34:** 1. Угловой патрубок 2. Корпус пылесоса

Угловой патрубок + Удлиняющая труба (Прямая труба)

Используйте это приспособление в тесных углах, где невозможно поместить сам пылесос, или в труднодоступных высоких местах.

► **Рис.35:** 1. Угловой патрубок 2. Удлиняющая труба 3. Корпус пылесоса

Чистка без сопла

Порошок и пыль можно собирать без сопла.

► **Рис.36**

ТЕХОБСЛУЖИВАНИЕ

ВНИМАНИЕ:

- Перед выполнением осмотра или обслуживания инструмента убедитесь, что устройство выключено.

Очистка

ПРИМЕЧАНИЕ: Запрещается использовать бензин, растворители, спирт и другие подобные жидкости. Это может привести к обесцвечиванию, деформации и трещинам.

ПРИМЕЧАНИЕ: Не удаляйте пыль с пылесоса и фильтров с помощью пылеуловителя. При этом пыль попадает внутрь корпуса, что становится причиной неполадок.

ПРИМЕЧАНИЕ: После промывки фильтров высушите их перед использованием. Использование влажного фильтра может привести к плохому всасыванию и уменьшить срок службы двигателя.

ПРИМЕЧАНИЕ: Очистив основной и губчатый фильтры, установите их на место перед использованием. При эксплуатации пылесоса без основного и губчатого фильтров пыль попадает в корпус двигателя и вызывает неполадки.

Корпус пылесоса

Время от времени протирайте внешнюю часть (корпус) пылесоса с помощью тряпки, смоченной мыльной водой.

Также прочистите всасывающее отверстие и область установки фильтра.

► Рис.37

Фильтр

Когда в фильтре скопится пыль и мощность пылесоса уменьшится, промойте фильтр в мыльной воде. Тщательно высушите его перед использованием.

► Рис.38

Губчатый фильтр

Ниже описана процедура очистки губчатого фильтра.

1. Снимите основной фильтр.
2. Вытяните губчатый фильтр из проема между стойками.
3. Очистите губчатый фильтр, постукая по нему или промыв. В случае промывки тщательно высушите фильтр перед использованием.
4. Вставьте фильтр в проем между стойками в его исходное положение. Убедитесь, что губчатый фильтр плотно прижат к нижнему краю стоек и между ним и всасывающим отверстием нет зазора.

► Рис.39: 1. Губчатый фильтр 2. Нижний край стоек

Настенное крепление для аккумуляторного пылесоса

Дополнительные принадлежности

ПРИМЕЧАНИЕ: Винт для крепления держателя в комплект не входит. Выберите винт в соответствии с типом материала.

Прикрепите настенное крепление для аккумуляторного пылесоса к стене, балке или колонне, сделанной из твердой древесины, где можно надежно закрепить аккумуляторный пылесос. Перед креплением пылесоса всегда проверяйте, чтобы настенное крепление для аккумуляторного пылесоса было надежно закреплено.

► Рис.40: 1. Настенное крепление для аккумуляторного пылесоса

ВНИМАНИЕ: Вешайте пылесос на настенное крепление осторожно и не вешайте никакие другие устройства, кроме пылесоса.

Перечень проверок перед обращением в ремонтную мастерскую

Признак	Что проверить	Способ крепления
Недостаточная сила всасывания	<ul style="list-style-type: none">• Контейнер заполнен пылью?• Фильтр засорен?• Заряд батареи недостаточен?	<ul style="list-style-type: none">• Очистите контейнер от пыли.• Вытряхните пыль или промойте фильтр.• Зарядите батарею.
Не работает	<ul style="list-style-type: none">• Заряд батареи недостаточен?	<ul style="list-style-type: none">• Зарядите батарею.

ПРИМЕЧАНИЕ:

- Не пытайтесь чинить пылесос самостоятельно.

Для обеспечения БЕЗОПАСНОСТИ и НАДЕЖНОСТИ оборудования, ремонт, любое другое техобслуживание или регулировку необходимо производить в уполномоченных сервис-центрах Makita, с использованием только сменных частей производства Makita.

ДОПОЛНИТЕЛЬНЫЕ ПРИНАДЛЕЖНОСТИ

ВНИМАНИЕ:

- Эти принадлежности или насадки рекомендуются использовать вместе с вашим инструментом Makita, описанным в данном руководстве. Использование каких-либо других принадлежностей или насадок может представлять опасность получения травм. Используйте принадлежность или насадку только по указанному назначению.

Если вам необходимо содействие в получении дополнительной информации по этим принадлежностям, свяжитесь со своим местным сервис-центром Makita.

- Удлиняющая труба (Прямая труба)
- Патрубок
- Насадка для чистки ковра
- Щетка для чистки полок
- Угловой патрубок
- Круглая щетка
- Гибкий шланг
- Фильтр
- Фильтр предварительной очистки
- Высокоэффективный фильтр

- Настенное крепление для аккумуляторного пылесоса
- Циклонный фильтр
- Оригинальный аккумулятор и зарядное устройство Makita

ПРИМЕЧАНИЕ:

- Некоторые элементы списка могут входить в комплект инструмента в качестве стандартных приспособлений. Они могут отличаться в зависимости от страны.

Циклонный фильтр

- **Рис.41:** 1. Прямая труба 2. Циклонный фильтр
3. Впускное отверстие

Информация о циклонном фильтре

Использование пылесоса с циклонным фильтром уменьшает попадающее в контейнер количество пыли, предотвращая снижение силы всасывания. Кроме того, это значительно упрощает очистку после использования.

⚠ ВНИМАНИЕ: Перед проведением каких-либо работ с инструментом обязательно отключите инструмент и извлеките блок аккумулятора. Если блок аккумулятора оставить в устройстве, пылесос может неожиданно запускаться и стать причиной травмы.

⚠ ВНИМАНИЕ: Очищайте сетчатый фильтр циклонного фильтра и фильтры пылесоса, когда они засоряются. Дальнейшее использование в засоренном состоянии может привести к нагреванию или появлению дыма.

ПРИМЕЧАНИЕ: Не используйте пылесос с установленным циклонным фильтром в горизонтальном положении или в положении, когда пылесос направлен вверх. Это может привести к засорению сетчатого фильтра.

ПРИМЕЧАНИЕ: Всегда используйте пылесос с установленными фильтрами даже при использовании циклонного фильтра. Использование пылесоса без установленных фильтров может привести к неисправности двигателя.

ПРИМЕЧАНИЕ: Перед использованием убедитесь в том, что циклонный фильтр, пылесос и прямая труба зафиксированы надлежащим образом.

ПРИМЕЧАНИЕ: Опорожняйте корпус для сбора пыли циклонного фильтра и контейнер пылесоса при заполнении пылью. Дальнейшее использование может привести к снижению силы всасывания.

Удаление пыли

При заполнении пылью до уровня линии заполнения в корпусе для сбора пыли выполните описанную далее процедуру и утилизируйте пыль.

1. Крепко удерживая корпус для сбора пыли, нажмите и удерживайте две кнопки, после чего снимите корпус для сбора пыли.
- **Рис.42:** 1. Линия заполнения 2. Корпус для сбора пыли 3. Кнопка (два положения)
4. Сетчатый фильтр

2. Удалите пыль из корпуса для сбора пыли и удалите пыль и мелкую пыль с поверхности сетчатого фильтра.

3. Полностью вставьте корпус для сбора пыли таким образом, чтобы две кнопки зафиксировались со щелчком.

- **Рис.43:** 1. Корпус для сбора пыли 2. Кнопка (два положения)

ПРИМЕЧАНИЕ: Перед возобновлением работы убедитесь в том, что циклонный фильтр, пылесос и прямая труба надежно соединены.

ПРИМЕЧАНИЕ: Если сила всасывания не восстановится даже после удаления пыли и очистки сетчатого фильтра, убедитесь в том, что пыль не скопилась в контейнере пылесоса, или в том, что не произошло засорения.

Очистка

Когда загрязнится корпус для сбора пыли или засорится сетчатый фильтр, извлеките и промойте их водой. (Процедуру удаления см. в разделе “Утилизация пыли”).

Тщательно просушите детали перед повторной установкой и использованием.

- **Рис.44:** 1. Корпус для сбора пыли 2. Сетчатый фильтр

Если сетчатый фильтр сильно загрязнен, очистите его, выполнив указанные далее процедуры.

1. Поверните сетчатый фильтр против часовой стрелки и извлеките его, пока крючки находятся в незафиксированном положении.

- **Рис.45:** 1. Сетчатый фильтр 2. Крючок

2. Удалите пыль из сетчатого фильтра и промойте его водой. После этого тщательно просушите его.

3. Вставьте сетчатый фильтр в основание таким образом, чтобы крючки расположились на одной линии с отверстием. Поверните сетчатый фильтр по часовой стрелке до фиксации крючков со щелчком. Убедитесь в том, что сетчатый фильтр надежно зафиксирован.

- **Рис.46:** 1. Сетчатый фильтр 2. Крючок
3. Отверстие

ПОПЕРЕДЖЕННЯ

Цей прилад дозволяється використовувати дітям віком від 8 років або старше, а також особам з обмеженими фізичними, сенсорними або розумовими здібностями та особам з недостатнім досвідом і знаннями, якщо за ними встановлений нагляд або їм були надані інструкції стосовно безпечного використання цього приладу та вони усвідомлюють потенційну небезпеку від його використання. Дітям не дозволяється грати з цим приладом. Дітям не дозволяється виконувати чищення або проводити технічне обслуговування приладу без нагляду дорослих.

ТЕХНІЧНІ ХАРАКТЕРИСТИКИ

Модель	DCL140	DCL180	DCL180F
Потужність	650 мл		
Безперервне використання	Прибл. 20 хв		
Загальна довжина	981 мм	999 мм	
Чиста вага	1,2 - 1,4 кг	1,2 - 1,5 кг	1,3 - 1,6 кг
Номінальна напруга	14,4 В пост. струму	18 В пост. струму	

- Оскільки наша програма наукових досліджень і розробок триває безперервно, наведені тут технічні характеристики можуть бути змінені без попередження.
- У різних країнах технічні характеристики можуть бути різними.
- Вага не включає жодних додаткових приладів, окрім касети (касет) з акумулятором. Найменша або найбільша комбінація ваги пристрою та касети (касет) з акумулятором наведені в таблиці.

Застосовна касета з акумулятором і зарядний пристрій

Касета з акумулятором	Модель 14,4 В пост. тока	BL1415N / BL1430 / BL1430B / BL1440 / BL1450 / BL1460B
	Модель 18 В пост. тока	BL1815N / BL1820 / BL1820B / BL1830 / BL1830B / BL1840 / BL1840B / BL1850 / BL1850B / BL1860B
Зарядний пристрій	DC18RC / DC18RD / DC18RE / DC18SD / DC18SE / DC18SF / DC18SH	

- Деякі касети з акумулятором і зарядні пристрої, які вказано вище, можуть бути недоступними залежно від вашого регіону або місця перебування.

⚠ ПОПЕРЕДЖЕННЯ: Використовуйте лише касети з акумулятором і зарядні пристрої, перелічені вище. Використання будь-яких інших касет з акумулятором і зарядних пристроїв може призвести до травмування й/або пожежі.

Символи

Далі наведено символи, які можуть застосовуватися для позначення обладнання. Перед користуванням переконайтеся, що ви розумієте їхнє значення.



Читайте посібник з експлуатації.



Тільки для країн ЄС
Не викидайте електроприлади або акумуляторні батареї разом із побутовими сміттями! Згідно з європейськими директивами про утилізацію електричного та електронного обладнання та про утилізацію батарей і акумуляторів, а також батарей та акумуляторів, термін служби яких закінчився, та їх використанням із дотриманням національних законів, електричне обладнання, батареї та акумулятори, термін служби яких закінчився, потрібно збирати окремо та відправляти на екологічно чисті підприємства з їхньої переробки.

Призначення

Інструмент призначено для збирання сухого пилю.

Попередження про необхідну обережність під час роботи з бездротовим пирососом

▲ ПОПЕРЕДЖЕННЯ: ВАЖЛИВО!
ПРОЧИТАЙТЕ УВАЖНО всі попередження про необхідну обережність під час роботи та всі інструкції **ПЕРЕД ВИКОРИСТАННЯМ**. Недотримання попереджень та інструкцій може призвести до ураження електричним струмом, до виникнення пожежі та/або до отримання серйозних травм.

1. Не залишайте інструмент під дощем. Зберігайте у приміщенні.
2. Не допускайте, щоб з цим приладом гралися діти. Потрібно бути пильним, якщо інструмент використовується дітьми або поблизу від них.
3. Використовуйте лише у відповідності з цією інструкцією. Використовуйте лише допоміжне обладнання, яке рекомендоване виробником.
4. Не використовуйте, якщо акумулятор пошкоджений. Якщо прилад не працює належним чином, його впустили, пошкодили, залишили під дощем або зронили у воду, його слід відправити до сервісного центру.
5. Не торкайтеся приладу мокрими руками.
6. Не встромляйте жодних предметів у отвори. Не використовуйте прилад із заблокованими отворами; не допускайте їх блокування пилом, пухом, волоссям або будь-чим, що може послабити потік повітря.
7. Слідкуйте, щоб волосся, просторий одяг, а також пальці та інші частини тіла не потрапили до отворів та рухомих частин приладу.
8. Перед зніманням акумулятора вимикайте всі елементи керування.
9. Будьте особливо обережні під час прибирання на сходах.
10. Уникайте потрапляння на прилад займих або палих рідин, наприклад бензину, та не використовуйте прилад в місцях їх застосування.
11. Для перезаряджання акумулятора використовуйте тільки зарядний пристрій, що постачається виробником.
12. Уникайте контакту приладу з будь-якими речовинами та предметами, що горять або димлять, наприклад цигарками, сірниками або гарячим попялом.
13. Не використовуйте без мішка для пилю і (або) встановлених фільтрів.
14. Перезаряджайте акумулятор тільки в приміщенні.

15. Перезаряджайте акумулятор лише за допомогою зарядного пристрою, вказаного виробником. Зарядний пристрій, який підходить для одного типу акумуляторів, може призвести до пожежі при використанні з акумулятором іншого типу.
16. Використовуйте електроінструменти лише з акумуляторами того типу, який призначений саме для цих електроінструментів. Використання акумуляторів інших типів може призвести до отримання травм і виникнення пожежі.
17. Коли акумулятор не використовується, тримайте його подалі від таких металевих предметів, що можуть закортити клеми акумулятора, наприклад скріпок, монет, ключів, цвяхів, гвинтів тощо.
18. За неналежних умов зберігання з акумулятора може витекти рідина, контакту з якою слід уникати. У разі випадкового потрапляння рідини на тіло уражену частину необхідно промити водою.
19. Не користуйтеся акумулятором або інструментом, які було змінено чи пошкоджено. Експлуатація акумуляторів, що їх було пошкоджено або до конструкції яких було внесено зміни, може бути небезпечною і може спричинити пожежу, вибух або травму.
20. Не піддавайте акумулятор або інструмент впливу вогню чи надмірної температури. Вплив вогню або температури вище 130° C може спричинити вибух.
21. Дотримуйтеся усіх вказівок із заряджання й не заряджайте акумулятор або інструмент за температури за межами зазначеного в інструкції діапазону. Неправильне заряджання або заряджання за межами вказаного температурного діапазону може призвести до пошкодження акумулятора і підвищити небезпеку займання.

ЗБЕРІГАЙТЕ ЦІ ВКАЗІВКИ.

ДОДАТКОВІ ПРАВИЛА БЕЗПЕКИ

Цей прилад призначений тільки для побутового використання.

1. Перед використанням уважно прочитайте цю інструкцію, а також інструкцію до зарядного пристрою.
2. Уникайте таких речовин та предметів, як:
 - гарячі речовини та предмети, наприклад запалені цигарки або іскри й металевий пил, що утворюються під час шліфування або різання металу
 - пальні речовини, наприклад газолін, розчинники, бензин, гас або фарби
 - вибухові речовини, наприклад нітрогліцерин
 - займісті речовини, наприклад алюміній, цинк, магній, титан, фосфор або целулоїд
 - вологий бруд, вода, мастило та подібні речовини

- тверді предмети з гострими кутами, наприклад тріска, метали, каміння, скло, цвяхи, шпильки або бритви
 - порошок або грудки, наприклад цемент або тонер
 - електропровідний пил, наприклад металевий або вугільний
 - дрібні частки, наприклад бетонний пил.
- У протилежному випадку це може призвести до пожежі, травми та (або) пошкодження майна.
3. негайно зупиніть інструмент, якщо помітите відхилення в його роботі.
 4. Якщо ви впустили або вдарили пиლოსос, перед подальшим використанням його слід ретельно оглянути на наявність тріщин або пошкоджень.
 5. Заборонено підносити інструмент близько до кухонних плит або інших джерел тепла.
 6. Заборонено блокувати забірний або вентиляційні отвори.

ЗБЕРІГАЙТЕ ЦІ ВКАЗІВКИ.

Важливі інструкції з безпеки для касети з акумулятором

1. Перед тим як користуватися касетою з акумулятором, слід прочитати всі інструкції та застережні знаки щодо (1) зарядного пристрою акумулятора, (2) акумулятора та (3) виробів, що працюють від акумулятора.
2. Не слід розбирати касету з акумулятором.
3. Якщо період роботи дуже покоротшав, слід негайно припинити користування. Це може призвести до виникнення ризику перегріву, опіку та навіть вибуху.
4. У разі потрапляння електроліту в очі слід промити їх чистою водою та негайно звернутися до лікаря. Це може призвести до втрати зору.
5. Не закоротіть касету з акумулятором.
 - (1) Не слід торкатися клем будь-яким струмопровідним матеріалом.
 - (2) Не слід зберігати касету з акумулятором у ємності з іншими металевими предметами, такими як цвяхи, монети тощо.
 - (3) Не залишайте касету з акумулятором під дощем, запобігайте контакту з водою.

Коротке замикання може призвести до появи значного струму, перегріву, можливих опіків та навіть виходу з ладу.
6. Не слід зберігати інструмент та касету з акумулятором в місцях, де температура може сягнути чи перевищити 50°C (122°F).
7. Не слід спалювати касету з акумулятором, навіть якщо вона була неодноразово пошкоджена або повністю спрацьована. Касета з акумулятором може вибухнути у вогні.
8. Не слід кидати або ударяти акумулятор.
9. Не слід використовувати пошкоджений акумулятор.

10. Літій-іонні акумулятори, що містяться в інструменті, мають відповідати вимогам законів про небезпечні товари. Під час транспортування за допомогою комерційних перевезень, наприклад із залученням третьої сторони та експедиторів, необхідно дотримуватись особливих вимог, вказаних на пакуванні й у маркуванні. Під час підготування позиції до відправлення необхідно проконсультуватись зі спеціалістом з небезпечних матеріалів. Крім того, слід виконувати більш докладні національні настанови, якщо такі є. Заклейте відкриті контакти стрічкою або заховайте їх і запакуйте акумулятор таким чином, щоб він не міг рухатися в пакуванні.
11. Для утилізації касети з акумулятором витягніть її з інструмента та утилізуйте безпечним способом. Дотримуйтеся норм місцевого законодавства щодо утилізації акумуляторів.
12. Використовуйте акумулятори лише з виробами, указаними компанією Makita. Установлення акумуляторів у невідповідні виробу може призвести до пожежі, надмірного нагрівання, вибуху чи витoku електроліту.
13. Якщо інструментом не користуватимуться протягом тривалого періоду часу, вийміть акумулятор з інструмента.

ЗБЕРІГАЙТЕ ЦІ ВКАЗІВКИ.

▲ОБЕРЕЖНО: Використовуйте тільки акумулятори Makita. Використання акумуляторів, інших ніж оригінальні акумулятори Makita, або акумуляторів, конструкцію яких було змінено, може призвести до вибуху акумулятора і спричинити пожежу, травму або пошкодження. У зв'язку з цим також буде анульовано гарантію Makita на інструмент Makita і на зарядний пристрій.

Поради з забезпечення максимального строку експлуатації акумулятора

1. Касету з акумулятором слід заряджати до того, як він розрядиться повністю. Завжди слід зупинити роботу інструмента та зарядити акумулятор, якщо ви помітили зменшення потужності інструмента.
2. Ніколи не слід заряджати повторно повністю заряджену касету з акумулятором. Перезарядження скорочує строк експлуатації акумулятора.
3. Заряджайте касету з акумулятором при кімнатній температурі 10°C - 40°C (50°F - 104°F). Перед тим як заряджати касету з акумулятором, слід зачекати, доки вона охолоне.
4. Якщо касета з акумулятором не використовувалася тривалий час (понад шість місяців), її слід зарядити.

ІНСТРУКЦІЯ З ВИКОРИСТАННЯ

⚠ ОБЕРЕЖНО:

- Завжди перевіряйте, щоб прилад був вимкнений, а касета з акумулятором була знята, перед регулюванням або перевіркою функціонування інструмента.
- Заряджаючи акумулятор, будьте обережні, щоб між очищувачем та акумулятором не потрапив(ли) палець(ці), як показано на малюнку. Защемлення пальця(ів) може призвести до травм.

► Рис.1

Встановлення та зняття касети з акумулятором

► Рис.2: 1. Червоний індикатор 2. Кнопка 3. Касета з акумулятором

⚠ ОБЕРЕЖНО:

- Завжди вимикайте інструмент перед встановленням або зніманням касети з акумулятором.
- Під час встановлення або зняття касети з акумулятором надійно утримуйте інструмент і касету з акумулятором. Інакше інструмент або касета з акумулятором можуть вислизнути з рук, що може призвести до травм або пошкодження інструмента й касети з акумулятором.

Щоб зняти касету з акумулятором, слід витягнути її з інструмента, натиснувши на кнопку в передній частині касети. Щоб установити касету з акумулятором, слід сумістити шпонку касети з акумулятором із пазом у корпусі та вставити касету на місце. Уставляйте її, доки не почуєте клацання. Якщо на верхній частині кнопки видно червоний індикатор, це означає, що вона заблокована не повністю.

⚠ ОБЕРЕЖНО:

- Завжди уставляйте касету повністю, аж поки червоний індикатор стане невидимим. Якщо цього не зробити, касета може випадково випасти з інструмента та завдати травми вам або людям, що знаходяться поруч.
- Не встановлюйте касету з акумулятором із зусиллям. Якщо касета не вставляється легко, то це означає, що Ви її невірно вставляєте.

Система захисту акумулятора (літій-іонний акумулятор з маркувальною зірочкою)

► Рис.3: 1. Маркувальна зірочка

Літій-іонні акумулятори з маркувальною зірочкою оснащені системою захисту. Ця система автоматично вимикає живлення інструмента з метою збільшення робочого часу акумулятора. Інструмент буде автоматично вимкнений під час роботи, якщо він та/або акумулятор знаходиться в таких умовах:

- Перенавантаження: Інструмент споживає струм занадто високої потужності під час роботи. У такому разі відпустіть курковий перемикач інструмента та зупиніть роботу, яка призвела до перенавантаження інструмента. Потім натисніть на курковий перемикач, щоб знову запустити інструмент. Якщо інструмент неможливо запустити, це означає, що акумулятор перегрівся. У такому разі дайте акумулятору охолонути, перш ніж знову натиснути на курковий перемикач.
- Низька напруга акумулятора: Залишковий заряд акумулятора занадто низький, тому інструмент не буде працювати. У такому разі зніміть та зарядіть акумулятор.

Дія вмикача

► Рис.4: 1. Курковий вмикач

⚠ ОБЕРЕЖНО:

- Перед тим, як вставляти касету з акумулятором в інструмент, слід перевірити належну роботу курка вмикача, тобто щоб він повертався у положення "ВИМК.", коли його відпускають.

Для того, щоб запустити інструмент, слід просто натиснути на курок вмикача. Для зупинення роботи курок слід відпустити.

Увімкнення лампи

Тільки для моделі DCL180F

⚠ ОБЕРЕЖНО:

- Ніколи не дивіться прямо на світло. Пряме світло завдає шкоди очам.

► Рис.5: 1. Ліхтар




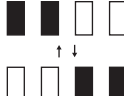
Потягніть за курок вмикача, щоб увімкнути лампу. Щоб вимкнути, відпустіть курок вмикача.

Відображення залишкового заряду акумулятора

Тільки для касет з акумулятором, які мають індикатори

► Рис.6: 1. Індикаторні лампи 2. Кнопка перевірки
Натисніть кнопку перевірки на касеті з акумулятором для відображення залишкового ресурсу акумулятора. Індикаторні лампи загоряться на кілька секунд.

Індикаторні лампи			Залишковий ресурс
Горить	Вимк.	Блимає	
■ ■ ■ ■	□	□	від 75 до 100%
■ ■ ■ □	□	□	від 50 до 75%
■ ■ □ □	□	□	від 25 до 50%
■ □ □ □	□	□	від 0 до 25%
■ □ □ □	□	□	Зарядіть акумулятор.

Індикаторні лампи			Залишковий ресурс
 Горить	 Вимк.	 Блимає	
			Можливо, акумулятор вийшов з ладу.

ПРИМІТКА: Залежно від умов використання та температури оточуючого середовища показання можуть незначним чином відрізнятися від дійсного ресурсу.

КОМПЛЕКТУВАННЯ

⚠ОБЕРЕЖНО:

- Завжди перевіряйте, щоб прилад був вимкнений, а касета з акумулятором була знята, перед тим, як проводити будь-які роботи на інструменті.

Тип фільтра

Звичайний фільтр

- Рис.7: 1. Контейнер 2. Первинний фільтр
3. Фільтр

Фільтр підвищеної ефективності

- Рис.8: 1. Контейнер 2. Фільтр підвищеної ефективності

Видалення пилу

⚠ОБЕРЕЖНО:

- Пилосос слід спорожнювати до повного заповнення, інакше силу всмоктування буде послаблено.
- Обов'язково видаляйте пил безпосередньо зсередини пилососа. Невиконання цієї вимоги може призвести до засмічення фільтра або пошкодження двигуна.

Видалення пилу зі звичайного фільтра

Для видалення пилу, налиплого на фільтрі в контейнері, постукайте рукою по контейнеру 4—5 разів. Тепер поверніть отвір усмоктування вниз, поверніть контейнер у напрямку, показаному стрілкою на малюнку, та повільно від'єднайте контейнер, тримаючи його прямо.

- Рис.9: 1. Контейнер 2. Отвір усмоктування

ПРИМІТКА:

- Під час відкриття контейнера пил може висипатися, тому під ним обов'язково встановлюйте мішок для сміття.

Видаліть накопичений пил із контейнера й первинного фільтра.

- Рис.10: 1. Первинний фільтр 2. Контейнер

Поверніть первинний фільтр у напрямку, показаному стрілкою, щоб відстігнути кріпильний фланець від корпусу пилососа, після чого витягніть первинний фільтр.

- Рис.11: 1. Первинний фільтр 2. Кріпильний фланець

Вичистіть дрібний пил із первинного фільтра. Потім зніміть фільтр і злегка постукайте по ньому, щоб вибити пил.

- Рис.12: 1. Первинний фільтр 2. Фільтр

Видалення пилу з фільтра підвищеної ефективності

Для видалення пилу, налиплого на фільтрі в контейнері, постукайте рукою по контейнеру 4—5 разів. Тепер поверніть отвір усмоктування вниз, поверніть контейнер у напрямку, показаному стрілкою на малюнку, та повільно від'єднайте контейнер, тримаючи його прямо.

- Рис.13: 1. Контейнер 2. Отвір усмоктування

ПРИМІТКА:

- Під час відкриття контейнера пил може висипатися, тому під ним обов'язково встановлюйте мішок для сміття.

Видаліть накопичений пил із контейнера й фільтра підвищеної ефективності.

- Рис.14: 1. Контейнер 2. Фільтр підвищеної ефективності

Поверніть фільтр підвищеної ефективності в напрямку, показаному стрілкою, щоб відстігнути кріпильний фланець від корпусу пилососа, після чого витягніть фільтр підвищеної ефективності.

- Рис.15: 1. Кріпильний фланець

Вичистіть дрібний пил і злегка постукайте по фільтру підвищеної ефективності, щоб вибити пил.

Складання

Складання зі звичайним фільтром

Встановіть фільтр до кінця в корпус пилососа.

- Рис.16: 1. Фільтр

ПРИМІТКА:

- Переконайтеся, що фільтр встановлено прямо й не відігнуто назад. Якщо фільтр встановлено неправильно (див. малюнок), пил потраплятиме в корпус двигуна, що призведе до пошкодження двигуна.

- Рис.17: 1. Фільтр

Приєднайте первинний фільтр. Одночасно переконайтеся, що первинний фільтр повернуто таким чином, щоб кріпильний фланець було щільно зафіксовано в корпусі пилососа.

- Рис.18: 1. Первинний фільтр

- Рис.19

Приєднайте контейнер. Сумістіть позначку «O» на контейнері з позначкою «O» на ручці, потім щільно поверніть контейнер у напрямку, показаному стрілкою, до його повної фіксації.

- Рис.20: 1. Позначка «O»

- Рис.21: 1. Ручка 2. Контейнер

ПРИМІТКА:

- Пил слід видаляти заздалегідь, оскільки накопичування в пілососі великої кількості пилу призводить до послаблення сили всмоктування.
- Перед використанням пілососа слід завжди перевіряти, щоб фільтр і первинний фільтр були встановлені правильно. Якщо вони будуть встановлені неправильно, пил потраплятиме в корпус двигуна, і це призведе до пошкодження двигуна. Виникнення ситуацій, наведених у наступних прикладах, вказує на те, що фільтр і первинний фільтр встановлені неправильно. Перевстановіть їх належним чином, щоб усунути проблему.

Приклади проблем

Приклад 1: було встановлено тільки первинний фільтр (основний фільтр відсутній)

► **Рис.22:** 1. Первинний фільтр

Приклад 2: було встановлено тільки основний фільтр (первинний фільтр відсутній)

► **Рис.23:** 1. Фільтр

Приклад 3: фільтр було встановлено у відігнутому назад положенні

► **Рис.24:** 1. Фільтр

Приклад 4: кріпильний фланець первинного фільтра недостатньо щільно зафіксований у пазу на корпусі пілососа

► **Рис.25:** 1. Паз у корпусі пілососа 2. Первинний фільтр 3. Кріпильний фланець

Складання з фільтром підвищеної ефективності

Приєднайте фільтр підвищеної ефективності.

Одночасно переконайтеся, що фільтр підвищеної ефективності повернуто таким чином, щоб кріпильний фланець було щільно зафіксовано в корпусі пілососа.

► **Рис.26:** 1. Фільтр підвищеної ефективності 2. Кріпильний фланець

► **Рис.27:** 1. Кріпильний фланець

Приєднайте контейнер. Сумістіть позначку «О» на контейнері з позначкою «О» на ручці, потім щільно поверніть контейнер у напрямку, показаному стрілкою, до його повної фіксації.

► **Рис.28:** 1. Позначка «О»

► **Рис.29:** 1. Ручка 2. Контейнер

ПРИМІТКА:

- Пил слід видаляти заздалегідь, оскільки накопичування в пілососі великої кількості пилу призводить до послаблення сили всмоктування.
- Перед використанням пілососа слід завжди перевіряти, щоб фільтр підвищеної ефективності був встановлений правильно. Якщо вони будуть встановлені неправильно, пил потраплятиме в корпус двигуна, і це призведе до пошкодження двигуна. Виникнення ситуацій, наведених у наступних прикладах, вказує на те, що фільтр підвищеної ефективності встановлений неправильно. Перевстановіть їх належним чином, щоб усунути проблему.

Приклади проблем

Кріпильний фланець фільтра підвищеної ефективності недостатньо щільно зафіксований у пазу на корпусі пілососа.

► **Рис.30:** 1. Кріпильний фланець 2. Паз у корпусі пілососа

ЗАСТОСУВАННЯ**⚠ОБЕРЕЖНО:**

- Щоб приєднати приладдя, наприклад, штуцер, вставте його, повертаючи у напрямку, показаному стрілкою, щоб забезпечити надійне з'єднання при використанні. Щоб від'єднати приладдя, витягніть його, повертаючи у напрямку, також показаному стрілкою. Якщо приладдя повернути у протилежному напрямку під час приєднання або від'єднання, контейнер може відкритися.

► **Рис.31:** 1. Контейнер

Чищення (всмоктування)**Штуцер**

Для чищення столів, парт, меблів та ін. встановлюйте штуцер. Він легко вдягається.

► **Рис.32:** 1. Штуцер

Штуцер + подовжувач (пряма труба)

Подовжувач вставляється між штуцером та очищувачем. Така конструкція є зручною для чищення підлоги стоячи.

► **Рис.33:** 1. Корпус очищувача 2. Подовжувач 3. Штуцер

Кутовий штуцер

Для чищення кутів та щілин в салоні автомобіля встановіть кутовий штуцер.

► **Рис.34:** 1. Кутовий штуцер 2. Корпус очищувача

Кутовий штуцер + подовжувач (пряма труба)

Цю конструкцію слід використовувати там, де очищувач не може пройти в стислом просторі, або у високих місцях, до яких важко дотягнутися.

► **Рис.35:** 1. Кутовий штуцер 2. Подовжувач 3. Корпус очищувача

Чищення без штуцера

Ви можете збирати пил без штуцера.

► **Рис.36**

ТЕХНІЧНЕ ОБСЛУГОВУВАННЯ

⚠ ОБЕРЕЖНО:

- Перед тим, як проводити перевірку або обслуговування, слід завжди перевіряти, щоб інструмент був вимкнений.

Чистка

УВАГА: Ніколи не використовуйте газолін, бензин, розріджувач, спирт та подібні речовини. Їх використання може призвести до зміни кольору, деформації або появи тріщин.

УВАГА: Не видаляйте пил з пилососа та фільтрів за допомогою повітродувки. При цьому пил потрапляє всередину корпусу і може спричинити несправності.

УВАГА: Після промивання фільтрів висушіть їх перед використанням. Вологий фільтр може стати причиною послаблення всмоктування та скорочення терміну служби двигуна.

УВАГА: Очистивши основний та губчатий фільтри, установіть їх на місце перед використанням. Під час експлуатації пилососа без основного й губчатого фільтрів пил потрапляє до корпусу двигуна й спричиняє несправності.

Корпус пилососа

Слід періодично протирати зовнішню поверхню (корпус) пилососа ганчіркою, зволоженою мильною водою.

Не забудьте прочистити отвір усмоктування та ділянку встановлення фільтра.

► Рис.37

Фільтр

Коли фільтр засмічується та потужність пилососа зменшується, фільтр слід вимити в мильній воді. Перед використанням його слід ретельно висушити.

► Рис.38

Губчатий фільтр

Нижче описано процедуру очищення губчатого фільтра.

1. Зніміть основний фільтр.
2. Витягніть губчатий фільтр із отвору між стійками.
3. Очистіть губчатий фільтр постукуванням або промиванням. У разі промивання ретельно висушіть фільтр перед використанням.
4. Установіть губчатий фільтр в отвір між стійками в початкове положення. Переконайтеся, що губчатий фільтр міцно притиснутий до нижнього краю стійок, а між фільтром та отвором усмоктування немає зазорів.

► Рис.39: 1. Губчатий фільтр 2. Нижній край стійок

Настінне кріплення для бездротового пилососа

Додаткове приладдя

ПРИМІТКА: Гвинт для кріплення тримача до комплекту не входить. Виберіть гвинт відповідно до типу матеріалу.

Прикріпіть настінне кріплення для бездротового пилососа до стіни, балки або колони, зроблених із твердої деревини, де можна надійно закріпити бездротовий пилосос. Перед кріпленням пилососа завжди перевіряйте, щоб настінне кріплення для бездротового пилососа було надійно закріплено.

► Рис.40: 1. Настінне кріплення для бездротового пилососа

⚠ ОБЕРЕЖНО: Вішайте пилосос на настінне кріплення обережно й не вішайте жодних інших пристроїв, окрім пилососа.

Що слід перевірити, перш ніж здавати пристрій до ремонту

Ознака	Ділянка, яку слід обстежити	Спосіб прикріплення
Слабка сила всмоктування	<ul style="list-style-type: none">• Чи заповнений контейнер пилом?• Чи засмічений фільтр?• Чи розряджений акумулятор?	<ul style="list-style-type: none">• Видаліть пил з контейнера.• Витрусіть пил з фільтра або промийте його.• Перезарядіть акумулятор.
Пристрій не працює	<ul style="list-style-type: none">• Чи розряджений акумулятор?	<ul style="list-style-type: none">• Перезарядіть акумулятор.

ПРИМІТКА:

- Не намагайтеся відремонтувати очищувач самотужки.

Для того, щоб підтримувати БЕЗПЕКУ та НАДІЙНІСТЬ, ремонт, технічне обслуговування або регулювання мають виконувати уповноважені центри обслуговування "Макіта", де використовуються лише стандартні запчастини "Макіта".

ДОДАТКОВЕ ПРИЛАДДЯ

⚠ ОБЕРЕЖНО:

- Це оснащення або приладдя рекомендовано для використання з інструментами "Макіта", що описані в інструкції з експлуатації. Використання якогось іншого оснащення або приладдя може спричинити травмування. Оснащення або приладдя слід використовувати лише за призначенням.

У разі необхідності, отримати допомогу в більш детальному ознайомленні з оснащенням звертайтеся до місцевого Сервісного центру "Макіта".

- Подовжувач (пряма труба)
- Штуцер
- Штуцер для килима
- Щітка для полиць
- Кутувий штуцер
- Кругла щітка
- Гнучкий шланг
- Фільтр
- Первинний фільтр
- Фільтр підвищеної ефективності
- Настінне кріплення для бездротового пилососа
- Циклонний фільтр
- Оригінальний акумулятор та заряджаючий пристрій Makita

ПРИМІТКА:

- Деякі елементи списку можуть входити до комплекту інструмента як стандартне приладдя. Вони можуть відрізнятися залежно від країни.

Циклонний фільтр

- **Рис.41:** 1. Пряма труба 2. Циклонний фільтр
3. Отвір усмоктування

Про циклонний фільтр

Використання пилососа із циклонним фільтром зменшує кількість пилу, що потрапляє в контейнер, що запобігає зниженню сили всмоктування. Крім того, це значно спрощує очищення після використання.

⚠ ОБЕРЕЖНО: Обов'язково переконайтеся в тому, що інструмент вимкнено, а касету з акумулятором знято, перш ніж проводити будь-які роботи з інструментом. Якщо касету з акумулятором залишити в пристрої, пилосос може несподівано запуститися й стати причиною травми.

⚠ ОБЕРЕЖНО: Очищуйте сітчастий фільтр циклонного фільтра й фільтри пилососа, коли вони засмічуються. Подальше використання в засміченому стані може призвести до перегріву або утворення диму.

УВАГА: Не використовуйте пилосос з установленим циклонним фільтром у горизонтальному положенні або в положенні, коли його спрямовано вгору. Це може привести до засмічення сітчастого фільтра.

УВАГА: Завжди використовуйте пилосос з установленим фільтром навіть за використання циклонного фільтра. Використання пилососа без установлених фільтрів може привести до несправності двигуна.

ПРИМІТКА: Перед використанням переконайтеся в тому, що циклонний фільтр, пилосос і пряму трубу зафіксовано належним чином.

ПРИМІТКА: Спорожніть корпус для збору пилу циклонного фільтра й контейнер пилососа, коли вони заповнилися пилом. Подальше використання може призвести до зниження сили всмоктування.

Видалення пилу

Після заповнення пилом до рівня лінії заповнення в корпусі для збору пилу виконайте описану далі процедуру й утилізуйте пил.

1. Міцно втримуючи корпус для збору пилу, натисніть і утримуйте дві кнопки, після чого зніміть корпус для збору пилу.

► **Рис.42:** 1. Лінія заповнення 2. Корпус для збору пилу 3. Кнопка (два положення) 4. Сітчастий фільтр

2. Видаліть пил із корпусу для збору пилу й видаліть пил і дрібний пил із поверхні сітчастого фільтра.

3. Вставте корпус для збору пилу таким чином, щоб дві кнопки зафіксувалися з клацанням.

► **Рис.43:** 1. Корпус для збору пилу 2. Кнопка (два положення)

ПРИМІТКА: Перед подальшим використанням переконайтеся в тому, що циклонний фільтр, пилосос і пряму трубу з'єднано належним чином.

ПРИМІТКА: Якщо сила всмоктування не відновиться навіть після видалення пилу й очищення сітчастого фільтра, переконайтеся в тому, що пил не накопився в контейнері пилососа, або у відсутності засмічення.

Чищення

Коли забрудниться корпус для збору пилу чи засмітиться сітчастий фільтр, витягніть і промийте їх водою. (Процедуру видалення див. у розділі «Утилізація пилу».)

Ретельно просушіть деталі перед повторним установленням і використанням.

► **Рис.44:** 1. Корпус для збору пилу 2. Сітчастий фільтр

Якщо сітчастий фільтр сильно забруднений, очистьте його, виконавши вказані далі процедури.

1. Поверніть сітчастий фільтр проти годинникової стрілки й вийміть його, поки гачки перебувають у незафіксованому положенні.

► **Рис.45:** 1. Сітчастий фільтр 2. Гачок

2. Видаліть пил із сітчастого фільтра й промийте його водою. Після цього ретельно просушіть його.

3. Вставте сітчастий фільтр в основу таким чином, щоб гачки розташувалися на одній лінії з отвором. Поверніть сітчастий фільтр за годинниковою стрілкою до фіксації гачків із клацанням. Переконайтеся в тому, що сітчастий фільтр надійно зафіксовано.

► **Рис.46:** 1. Сітчастий фільтр 2. Гачок 3. Отвір

Makita Europe N.V. Jan-Baptist Vinkstraat 2,
3070 Kortenberg, Belgium

Makita Corporation 3-11-8, Sumiyoshi-cho,
Anjo, Aichi 446-8502 Japan

www.makita.com

885261G962
EN, SL, SQ, BG,
HR, MK, RO, SR,
RU, UK
20200203