



VN	VIETNAM
----	---------

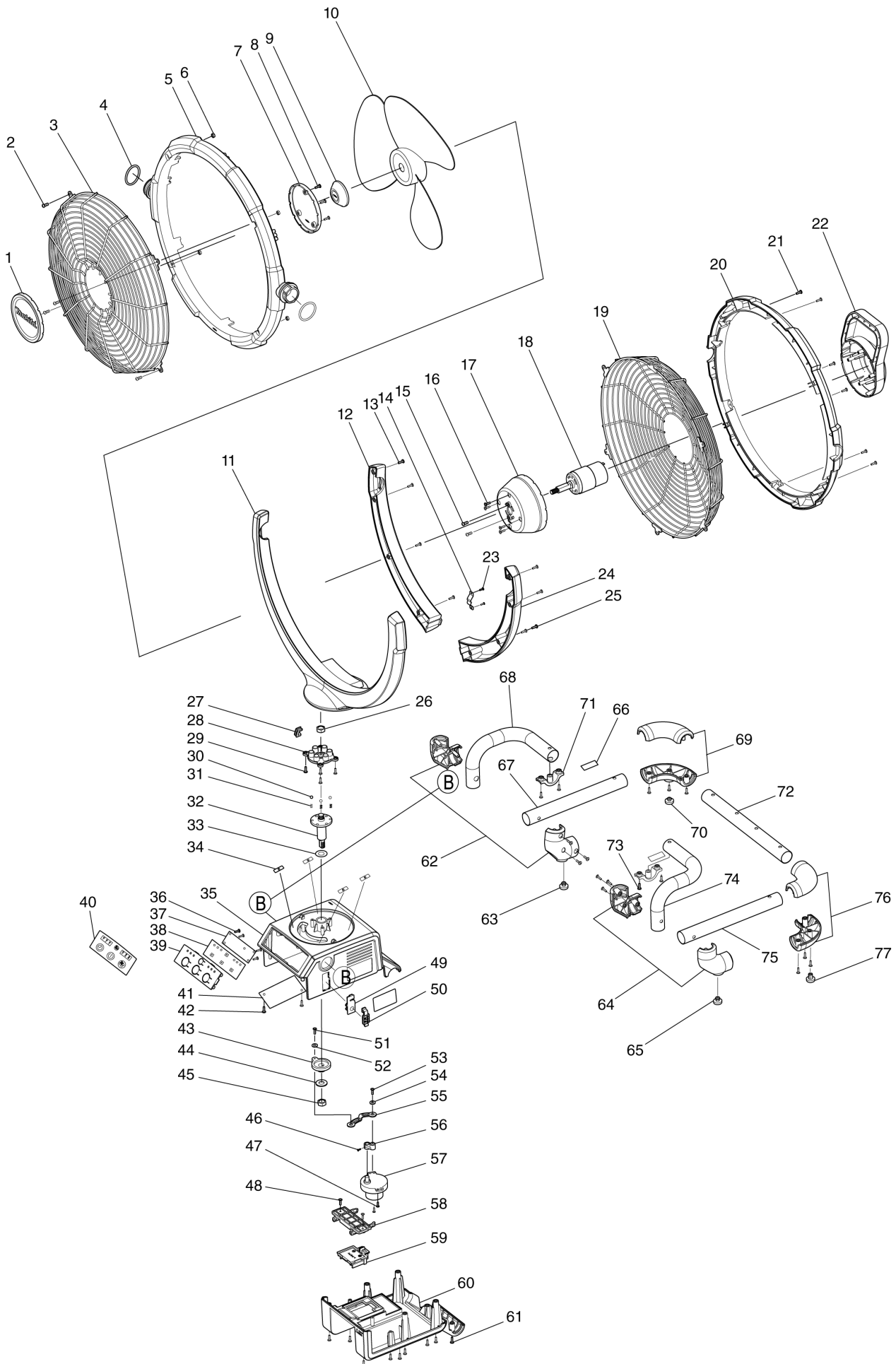
Diagram / Parts List

DCF300

CORDLESS FAN



(VN) DCF300 / CORDLESS FAN



VN	VIETNAM
-----------	----------------

DCF300 / CORDLESS FAN

Item	Sub	Parts No.	Parts Description	Qty	I/C	E/C No.	Close No.	Remark
001		TE00000046	LOGO FRONT PLATE	1				
002		TE00000101	PHILLIPS HEAD SCREW M4X10	4				
003		TE00000047	FRONT GUARD	1				
004		TE00000048	O-RING 32	2				
005		TE00000049	FRONT FRAME	1				
006		TE00000092	NUT M4	4				
007		TE00000050	LOGO REAR PLATE	1				
008		TE00000104	SCREW B 3X10	3				
009		TE00000051	FAN BLADE LOCK	1				
010		TE00000052	FAN BLADE	1				
011		TE00000053	FRONT ARM	1				
012		TE00000054	REAR ARM R	1				
013		TE00000103	SCREW A 3X14	4				
014		TE00000055	LEAF SPRING	1				
015		TE00000101	PHILLIPS HEAD SCREW M4X10	2				
016		TE00000103	SCREW A 3X14	4				
017		TE00000056	MOTOR FRONT COVER	1				
018		TE00000057	MOTOR	1			Y08507	
018-1		TE00000509	MOTOR ASSY	1	<	Y08507		
	D10		INC. 79			Y08507		
019		TE00000058	REAR GUARD	1				
020		TE00000059	REAR FRAME	1				
021		TE00000103	SCREW A 3X14	6				
022		TE00000060	MOTOR REAR COVER	1				
023		TE00000104	SCREW B 3X10	2				
024		TE00000100	REAR ARM L	1				
025		TE00000103	SCREW A 3X14	4				
026		TE00000069	LOCKNUT M10	1				
027		TE00000061	WIRE PROTECTOR	1				
028		TE00000062	COUPLING	1				
029		TE00000103	SCREW A 3X14	4				
030		TE00000063	STEEL BALL 6	3				
031		TE00000064	COMPRESSION SPRING-5	3				
032		TE00000065	SPINDLE	1				
033		TE00000090	POM FLAT WASHER 16	1				
034		TE00000089	POM PLATE	4			Y08261	
034-1		TE00000474	POM PLATE	4	O	Y08261		
035		TE00000066	UPPER BASE	1				
036		TE00000104	SCREW B 3X10	4				
037		TE00000088	SEAT	1				
038		TE00000154	SWITCH PCB BOARD	1			Y08442	
038-1		TE00000479	SWITCH PCB BOARD	1	O	Y08442		
039		TE00000067	SWITCH PANEL	1				
040		TE00000093	LABEL	1				
041		TE00000086	PCB	1			Y08264	
041-1		TE00000475	PCB	1	O	Y08264		
042		TE00000103	SCREW A 3X14	2				
043		TE00000068	FLANGE	1				
044		TE00000091	FLAT WASHER 10	1				
045		TE00000069	LOCKNUT M10	1				
046		TE00000102	PHILLIPS HEAD SCREW M3X14	1				
047		TE00000105	SCREW C 3X14	2				
048		TE00000103	SCREW A 3X14	2				
049		TE00000070	ADAPTOR PLATE	1				
050		TE00000071	ROBBER CAP	1				
051		TE00000104	SCREW B 3X10	1				
052		TE00000087	FLAT WASHER 3	1				
053		TE00000104	SCREW B 3X10	1				
054		TE00000087	FLAT WASHER 3	1				
055		TE00000072	LINK A	1				
056		TE00000073	LINK B	1				
057		TE00000155	SUB MOTOR	1				
058		TE00000075	TERMINAL HOLDER	1				
059		TE00000076	TERMINAL +WIRE	1			Y07933	
059-1		TE00000315	TERMINAL WITH WIRE	1	O	Y07933		

Interchange
O : Yes
X : No
< : the new part can be substituted for the current.
> : the current part can be substituted for the new.
S : Interchangeable as a set.

