



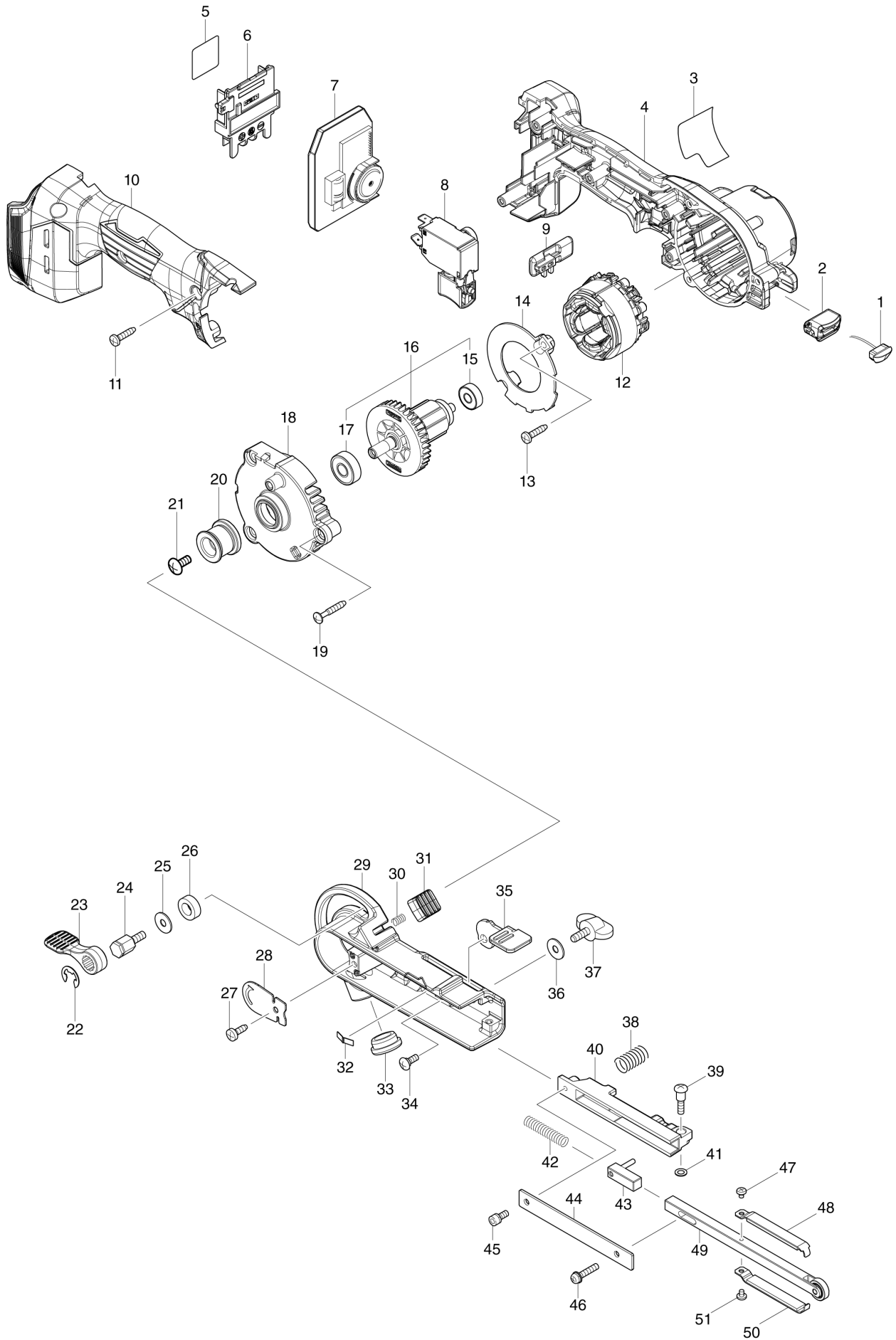
VN	VIETNAM
----	---------

# Diagram / Parts List

**DBS180**

**9MM CORDLESS BELT SANDER**

# (VN) DBS180 / 9MM CORDLESS BELT SANDER



<b>VN</b>	<b>VIETNAM</b>
-----------	----------------

### DBS180 / 9MM CORDLESS BELT SANDER

Item	Sub	Parts No.	Parts Description	Qty	I/C	E/C No.	Close No.	Remark
001		620D54-1	LED CIRCUIT	1				
002		412719-3	LED HOUSING	1				
003		857S44-3	DBS180 NAME PLATE	1				
004		183R39-7	MOTOR HOUSING HANDLE COVER SE	1				
	C10	263005-3	RUBBER PIN 6	2				
	D10		INC. 10					
005		857S52-4	DBS180 SERIAL NO. LABEL	1				
006		643874-2	TERMINAL	1				
007		620D53-3	CONTROLLER	1				
008		651493-0	SWITCH C3JW-4CM-1L	1				
009		412720-8	CHANGE LEVER	1				
010		183R39-7	MOTOR HOUSING HANDLE COVER SE	1				
	C10	263005-3	RUBBER PIN 6	2				
	D10		INC. 4					
011		266326-2	TAPPING SCREW 4X18	5				
012		629A24-9	STATOR	1				
013		266326-2	TAPPING SCREW 4X18	2				
014		412718-5	BAFFLE PLATE	1				
015		210031-3	BALL BEARING 606DDW	1				
016		519645-8	ROTOR ASSY	1				
	D10		INC. 15,17					
017		210005-4	BALL BEARING 608DDW	1				
018		312A10-4	BRACKET	1				
019		265999-8	TAPPING SCREW 4X25	3				
020		317522-6	DRIVING ROLLER	1				
021		265092-8	TRUSS HEAD SCREW M5X12	1				
022		961014-3	STOP RING E-8	1				
023		272229-0	LEVER 40	1				
024		265494-8	HEX. BOLT M5X13	1				
025		253807-5	FLAT WASHER 5	1				
026		257249-5	RING 9	1				
027		266026-4	TAPPING SCREW BIND CT 4X12	1				
028		345196-3	SAFETY COVER	1				
029		140U96-6	PULLEY COVER COMPLETE	1				
030		231026-3	COMPRESSION SPRING 4	1			DA415	
030-1		233054-4	COMPRESSION SPRING 4	1	<	DA415		
031		412721-6	KNOB	1				
032		232185-6	LEAF SPRING	1				
033		421198-4	CAP	1				
034		265028-7	+ PAN HEAD SCREW M4X11	1				
035		345197-1	CAM LEVER	1				
036		253807-5	FLAT WASHER 5	1			D5862	
036-1		253111-2	FLAT WASHER 6	1	<	D5862		
037		265720-5	THUMB SCREW M5X14	1				
038		233333-0	COMPRESSION SPRING 10	1				
039		265090-2	+ PAN HEAD SCREW M4X20	1				
040		317525-0	ARM HOLDER	1				
041		941052-1	FLAT WASHER 4	1				
042		233332-2	COMPRESSION SPRING 6	1				
043		153312-1	ARM TENSIONER COMPLETE	1				
044		345195-5	ARM COVER	1				
045		922111-0	HEX. SOCKET HEAD BOLT M4X10	1				
046		911138-5	P.H.SCREW M4X20 WITH WR	1				
047		265040-7	+ PAN HEAD SCREW M3X4	1				
048		153314-7	SHOE 9 COMPLETE	1				
049		153310-5	ARM 9 COMPLETE	1				
050		153314-7	SHOE 9 COMPLETE	1				
051		265040-7	+ PAN HEAD SCREW M3X4	1				
A01		A-34469	ABRASIVE BELT 9X533-AA80	1				
A03		140W02-3	GRIP BASE COMPLETE	1				
A04		144163-3	GRIP 36 COMPLETE	1				
A05B		450128-8	BATTERY COVER	1				
A06B		***DC18RC	DC18RC FAST CHARGER	1				
	D10		COMPO-PARTS					
A07B		197280-8	BATTERY BL1850B SET	2				

B:DBS180RTJ(H)

Interchange  
O : Yes  
X : No  
< : the new part can be substituted for the current.  
> : the current part can be substituted for the new.  
S : Interchangeable as a set.

