



VN	VIETNAM
----	---------

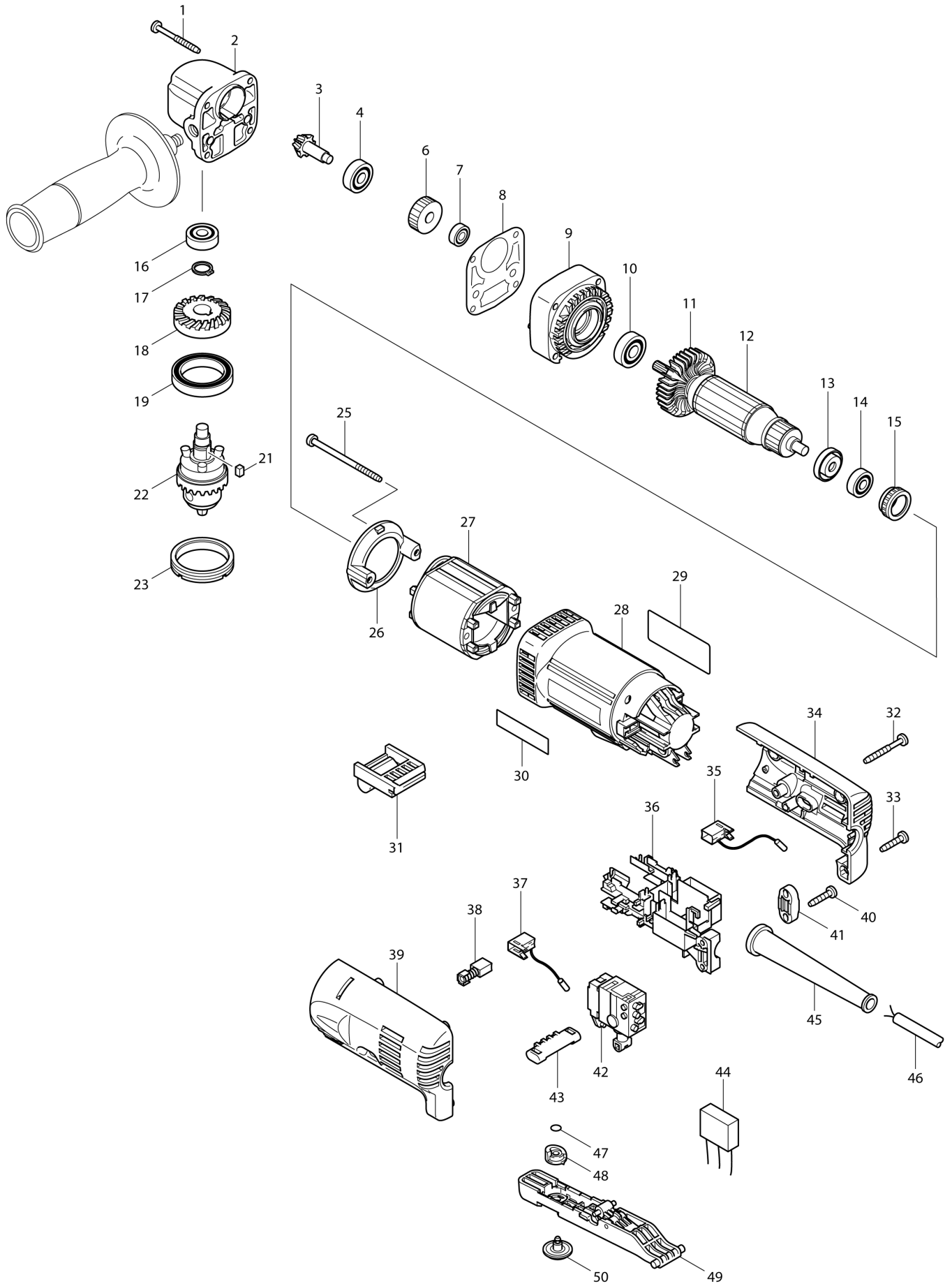
Diagram / Parts List

DA3010

ANGLE DRILL 10MM



(VN) DA3010 / ANGLE DRILL 10MM



VN	VIETNAM
-----------	----------------

DA3010 / ANGLE DRILL 10MM

Item	Sub	Parts No.	Parts Description	Qty	I/C	E/C No.	Close No.	Remark
001		266048-4	TAPPING SCREW 4X40	4				
002-1		317635-3	GEAR HOUSING	1				
003		227436-0	SPIRAL BEVEL GEAR 9	1				
004-1		210029-0	BALL BEARING 608ZZ	1				
006		226567-2	HELICAL GEAR 28	1				
007		210026-6	BALL BEARING 696ZZ	1				
008		418036-9	GASKET	1				
009		418042-4	GEAR HOUSING COVER	1				
010		211051-0	BALL BEARING 609LLB	1				
011		240061-0	FAN 48	1				
012		517583-8	ARMATURE ASS'Y 220-240V	1				
	D10		INC. 10,11,13,14					
013		681636-0	INSULATION WASHER	1				
014		211021-9	BALL BEARING 607LLB	1				
015		421494-0	RUBBER RING 19	1				
016-1		210029-0	BALL BEARING 608ZZ	1				
017		961052-5	RETAINING RING S-12	1				
018		227437-8	SPIRAL BEVEL GEAR 26	1				
019		211419-0	BALL BEARING 6806DDW	1			94528	
019-1		211423-9	BALL BEARING 6806DDW	1	O	94528		
021		254201-4	KEY 4	1				
022		763174-5	DRILL CHUCK S10	1				
023		285842-5	BEARING RETAINER 36-43	1				
025		266315-7	TAPPING SCREW MT 4X65	2				
026		418033-5	BAFFLE PLATE	1				
027		635078-0	FIELD	1				
028		183560-8	MOTOR HOUSING	1				
	D10		INC. 30					
029		850078-1	NAME PLATE DA3010	1				
030		819063-3	MAKITA LABEL	1				
031		418039-3	COVER	1				
032		266053-1	TAPPING SCREW 4X35	1				
033		265995-6	TAPPING SCREW 4X18	3				
034		183559-3	REAR COVER SET	1				
	D10		INC. 39					
035		643802-7	BRUSH HOLDER	1			A7793	
035-1		643801-9	BRUSH HOLDER	1	<	A7793		
036		687139-2	SUPPORT	1				
037		643802-7	BRUSH HOLDER	1			A7793	
037-1		643801-9	BRUSH HOLDER	1	<	A7793		
038		A-81284	CARBON BRUSH CB-419A	1			83185	
038-1		B-80086	CARBON BRUSH SET CB-419A	1	O	83185	85070	
038-2		B-80422	CARBON BRUSH SET CB-419A	1	<	85070		
039		183559-3	REAR COVER SET	1				
	D10		INC. 34					
040		265995-6	TAPPING SCREW 4X18	2				
041		687053-2	STRAIN RELIEF	1				
042		650539-9	SWITCH TG803BSA-1	1				
043		418038-5	F/R CHANGE LEVER	1				
044		645253-0	NOISE SUPPRESSOR	1		A7793		
045		682566-8	CORD GUARD 10	1				
046		691015-4	POWER SUPPLY CORD 0.75-2-2.5	1				
047		213034-6	O RING 3	1				
048		418040-8	CAM	1				
049		153477-9	SWITCH LEVER COMPLETE	1				
050		418037-7	SPEED CHANGE DIAL	1				
A01		411780-7	KEY HOLDER 10	1				
A02		763415-9	CHUCK KEY S10	1				
A03		A-81284	CARBON BRUSH CB-419A	2			83185	
A03-1		B-80086	CARBON BRUSH SET CB-419A	2	O	83185	85070	
A03-2		B-80422	CARBON BRUSH SET CB-419A	2	<	85070	87444	

Interchange
O : Yes
X : No
< : the new part can be substituted for the current.
> : the current part can be substituted for the new.
S : Interchangeable as a set.