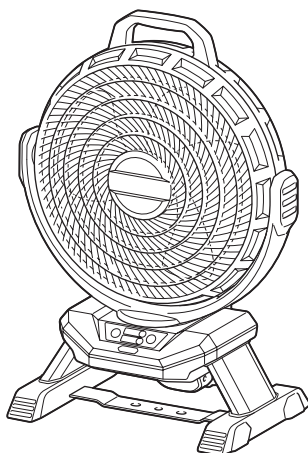




EN	Cordless Fan	INSTRUCTION MANUAL	5
PTBR	Ventilador a Bateria	MANUAL DE INSTRUÇÕES	12
ES	Ventilador Inalámbrico	MANUAL DE INSTRUCCIONES	20
ZHCN	充电式风扇	使用说明书	28
ZHTW	充電式電風扇	使用說明書	35
KO	충전 선풍기	취급 설명서	42
VI	Quạt Hoạt Động Bằng Điện Và Pin	TÀI LIỆU HƯỚNG DẪN	48
TH	พัดลมไร้สาย	คู่มือการใช้งาน	55
FA	پنکه شارژی	دفترچه راهنما	68
AR	المروحة اللاسلكية	دليل الإرشادات	74

CF002G



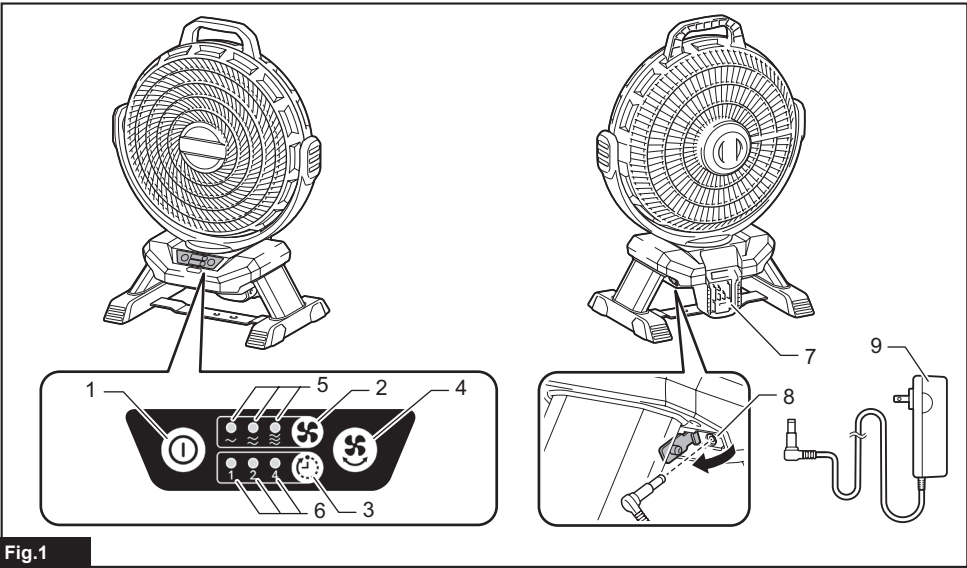


Fig.1

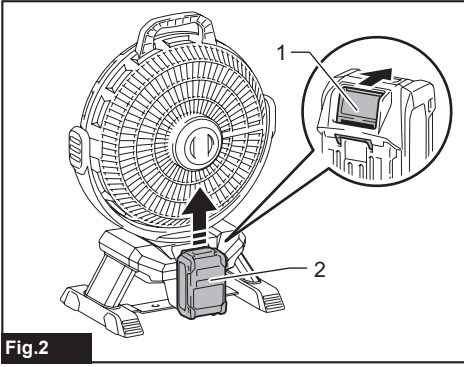


Fig.2

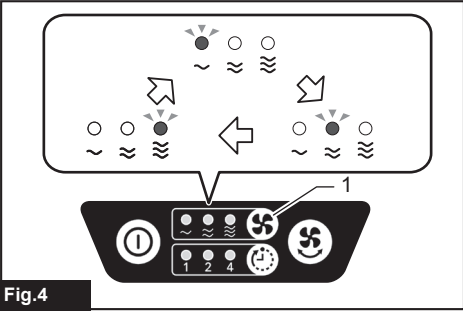


Fig.4

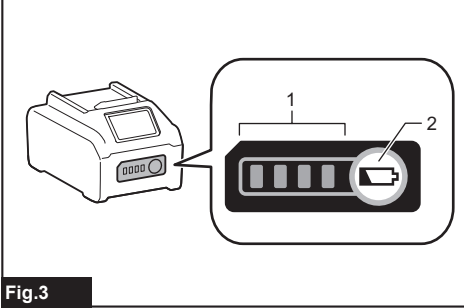


Fig.3

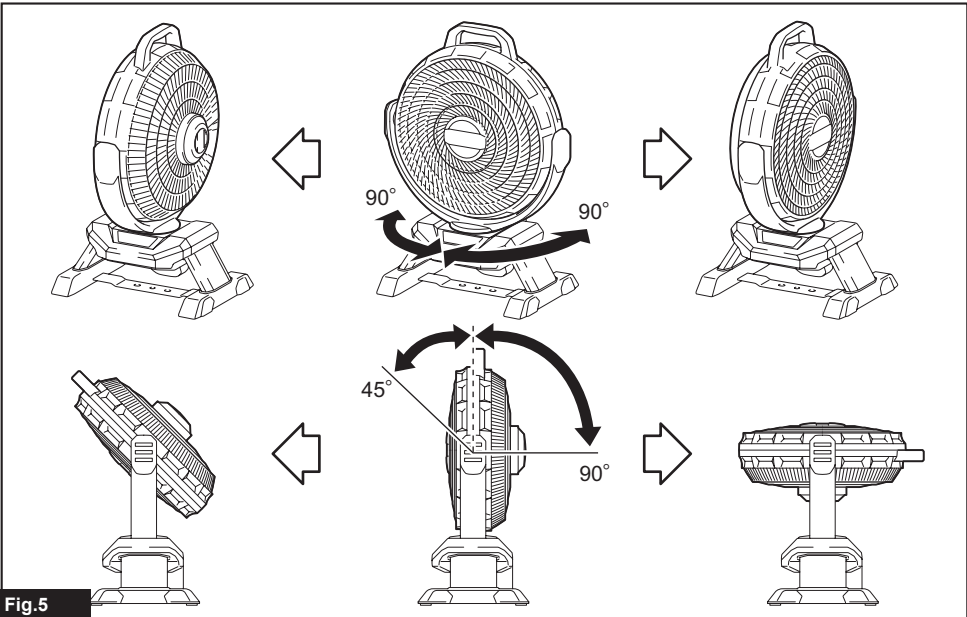


Fig.5

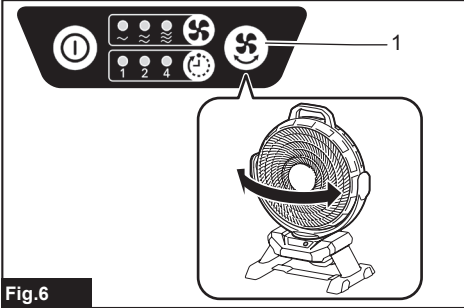


Fig.6

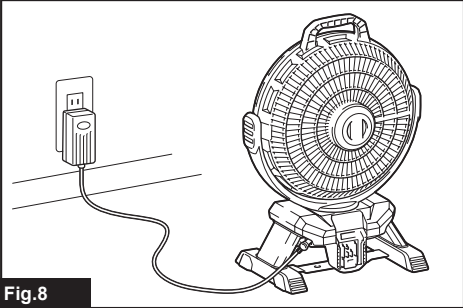


Fig.8

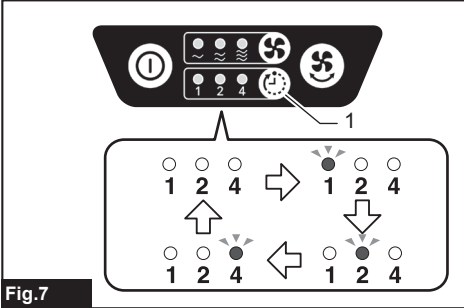


Fig.7

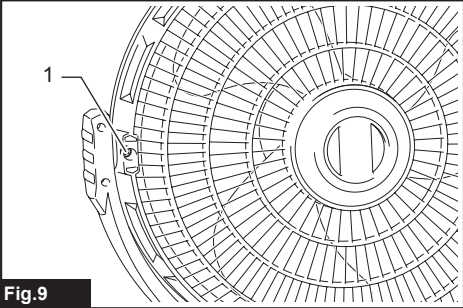
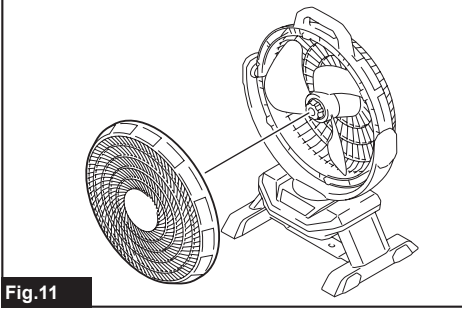
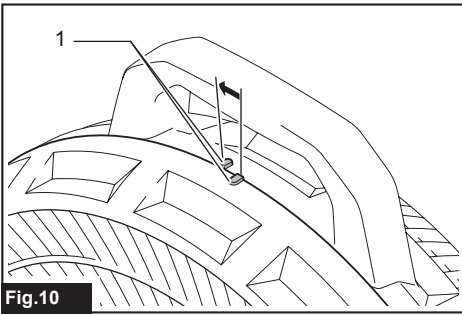


Fig.9



WARNING

- For users in Europe: This appliance can be used by children aged from 8 years and above and persons with reduced physical, sensory or mental capabilities or lack of experience and knowledge if they have been given supervision or instruction concerning use of the appliance in a safe way and understand the hazards involved. Children shall not play with the appliance. Cleaning and user maintenance shall not be made by children without supervision.
- For users in areas other than Europe: This appliance is not intended for use by persons (including children) with reduced physical, sensory or mental capabilities, or lack of experience and knowledge, unless they have been given supervision or instruction concerning use of the appliance by a person responsible for their safety. Children should be supervised to ensure that they do not play with the appliance.

SPECIFICATIONS

This fan is equipped with 3-speed control, fan head oscillation, and auto-off timer functions. Power supply can be with Makita battery cartridge or AC adaptor.

Model:		CF002G
Rated voltage		D.C. 36 V - 40 V max
AC adaptor	Input	100 – 240 V, 50 / 60 Hz, 1.2 A max
	Output	12 V, 3.5 A
Dimensions (L x W x H)		261 x 439 x 602 mm
Net weight (without battery cartridge)		3.8 kg

- Due to our continuing program of research and development, the specifications herein are subject to change without notice.
- Specifications may differ from country to country.

Applicable battery cartridge and charger

Battery cartridge	BL4020 / BL4025 / BL4040 / BL4050F
Charger	DC40RA / DC40RB / DC40RC

- Some of the battery cartridges and chargers listed above may not be available depending on your region of residence.

⚠ WARNING: Only use the battery cartridges and chargers listed above. Use of any other battery cartridges and chargers may cause injury and/or fire.

Battery running time

Following table refers to some of battery cartridges from Makita. The estimated running time of full charged battery is shown:

Battery cartridge	Wind speed		
	High	Medium	Low
BL4025	200 min	400 min	640 min
BL4040	320 min	640 min	1020 min

Symbols

The followings show the symbols which may be used for the equipment. Be sure that you understand their meaning before use.



Read instruction manual.



Only for EU countries

Due to the presence of hazardous components in the equipment, waste electrical and electronic equipment, accumulators and batteries may have a negative impact on the environment and human health. Do not dispose of electrical and electronic appliances or batteries with household waste!

In accordance with the European Directive on waste electrical and electronic equipment and on accumulators and batteries and waste accumulators and batteries, as well as their adaptation to national law, waste electrical equipment, batteries and accumulators should be stored separately and delivered to a separate collection point for municipal waste, operating in accordance with the regulations on environmental protection.

This is indicated by the symbol of the crossed-out wheeled bin placed on the equipment.



Only for EU countries

Correct Disposal of this product
This marking indicates that this product should not be disposed with other household wastes throughout the EU. To prevent possible harm to the environment or human health from uncontrolled waste disposal, recycle it responsibly to promote the sustainable reuse of material resources. To return your used device, please use the return and collection systems or contact the retailer where the product was purchased. They can take this product for environmental safe recycling.

Due to the presence of hazardous components in the equipment, used electrical and electronic equipment may have a negative impact on the environment and human health.

Intended use

The appliance is intended for generating air flow.

SAFETY WARNINGS

To prevent serious injury, please read and understand all warnings and instructions before use.

You will need this manual for the safety warnings and precautions, assembly, operating, inspection, maintenance procedures. Keep this manual in a safe and dry place for future reference.

IMPORTANT SAFETY INSTRUCTIONS

When using an electrical appliance, basic precautions should always be followed, including the following:

READ ALL INSTRUCTIONS BEFORE USING THIS APPLIANCE.

WARNING

To reduce the risk of fire, electric shock or injury:

1. Do not expose to rain. Store indoors.
2. Do not allow to be used as a toy. Close attention is necessary when used by or near children.
3. Use only as described in this manual. Use only manufacturer's recommended attachments.
4. Do not use with damaged battery. If appliance is not working as it should has been dropped, damaged, left outdoors, or dropped into water, return it to our service center.
5. Do not handle the appliance with wet hands.
6. Do not put any object into openings.
7. Keep hair, loose clothing, finger and all parts of body away from openings and moving parts.
8. Turn off all controls before removing the battery.
9. Use only the AC adaptor and charger supplied by the manufacturer. Accessories that may be suitable for the appliance may become hazardous when used on others.
10. Do not charge the battery outdoors.
11. Do not expose to fire or high temperatures.
12. Do not use near open flames, glowing embers or explosive atmospheres, such as in presence of flammable liquids, gases or dust. The appliance creates sparks which may ignite the dust or fumes.
13. Never use the appliance in humid locations such as in a bathroom.
14. This appliance is indoor use only. Never use the appliance outdoors.
15. This appliance is intended for household use.

16. Read this instruction manual and the charger instruction manual carefully before use.
17. Stop operation immediately if you notice any abnormal.
18. If you drop or strike the appliance, check it carefully for cracks or damage before operation.
19. Do not bring the appliance close to stoves or other heat sources.
20. Do not use if broken, bent, cracked or damaged parts are present. Any appliance that appears damaged in any way or operates abnormally must be removed from service immediately. Inspect before each operation.
21. Do not leave the appliance energized and unattended.
22. Don't abuse the AC adaptor. Never use the adaptor cord to carry the appliance or pull the plug out from an outlet. Keep the AC adaptor away from heat, oil, sharp edges, or moving parts. Replace damaged adaptor immediately. Damaged adaptor may increase the risk of electric shock.

Battery tool use and care

1. **Recharge only with the charger specified by the manufacturer.** A charger that is suitable for one type of battery pack may create a risk of fire when used with another battery pack.
2. **Use power tools only with specifically designated battery packs.** Use of any other battery packs may create a risk of injury and fire.
3. **When battery pack is not in use, keep it away from other metal objects, like paper clips, coins, keys, nails, screws or other small metal objects, that can make a connection from one terminal to another.** Shorting the battery terminals together may cause burns or a fire.
4. **Under abusive conditions, liquid may be ejected from the battery; avoid contact. If contact accidentally occurs, flush with water. If liquid contacts eyes, additionally seek medical help.** Liquid ejected from the battery may cause irritation or burns.
5. **Do not use a battery pack or tool that is damaged or modified.** Damaged or modified batteries may exhibit unpredictable behaviour resulting in fire, explosion or risk of injury.
6. **Do not expose a battery pack or tool to fire or excessive temperature.** Exposure to fire or temperature above 130 °C may cause explosion.
7. **Follow all charging instructions and do not charge the battery pack or tool outside the temperature range specified in the instructions.** Charging improperly or at temperatures outside the specified range may damage the battery and increase the risk of fire.

CORDLESS FAN USE AND CARE

1. Use the correct cordless fan for your application. Do not use the fan for a purpose for which it is not intended.
2. The appliance can work by Makita Li-ion battery cartridge designated in "SPECIFICATIONS" section in this instruction manual or AC adaptor. Use of any other batteries may create a risk of fire. Recharge batteries only with the specified charger. A charger that may be suitable for one type of battery may create a risk of fire when used with another battery.
3. Store idle appliance out of reach of children and other untrained persons.
4. Disconnect battery cartridge and the AC adaptor from the power source before storing the appliance, performing any inspection, maintenance, or cleaning procedures. Such preventive safety measures may reduce the risk of starting the appliance accidentally.
5. When battery cartridge is not in use, keep it away from other metal objects. Shortening the battery terminals together may cause sparks, burns or a fire.
6. Unplug unit and allow it to cool before performing any inspection, maintenance, cleaning procedures or storage.
7. Do not allow familiarity with appliances to make you careless. Remember that a careless fraction of a second is sufficient to inflict serious injury.
8. Always place the appliance on a level and stable surface. If the appliance falls, it may cause personal injury or damage to the appliance.
9. Do not use any batteries, attachments or accessories not recommended by the manufacturer of this appliance. The use of batteries, attachments or accessories not recommended can result in serious personal injury.
10. Keep hair or loose clothing like a scarf away from the fan. It may be caught in the fan and result in personal injury.
11. Ensure the switch is in the off-position before picking up or carrying the appliance. Carrying the appliance with your finger on the switch invites accidents.
12. Do not modify or attempt to repair the appliance or the battery cartridge except as indicated in the instructions for use and care.

SERVICE

1. This appliance service must be performed only by qualified repair personnel. Service or maintenance performed by unqualified personnel could result in a risk of injury.
2. When servicing this appliance, use only identical replacement parts. Use of unauthorized parts or failure to follow maintenance instructions may create a risk of electric shock or injury.
3. Do not incinerate this appliance, even if it is severely damaged. The batteries can explode in a fire. Dispose of the appliance in accordance with the local regulations.

Important safety instructions for battery cartridge

1. Before using battery cartridge, read all instructions and cautionary markings on (1) battery charger, (2) battery, and (3) product using battery.
2. Do not disassemble or tamper the battery cartridge. It may result in a fire, excessive heat, or explosion.
3. If operating time has become excessively shorter, stop operating immediately. It may result in a risk of overheating, possible burns and even an explosion.
4. If electrolyte gets into your eyes, rinse them out with clear water and seek medical attention right away. It may result in loss of your eyesight.
5. Do not short the battery cartridge:
 - (1) Do not touch the terminals with any conductive material.
 - (2) Avoid storing battery cartridge in a container with other metal objects such as nails, coins, etc.
 - (3) Do not expose battery cartridge to water or rain.
6. Do not store and use the tool and battery cartridge in locations where the temperature may reach or exceed 50 °C (122 °F).
7. Do not incinerate the battery cartridge even if it is severely damaged or is completely worn out. The battery cartridge can explode in a fire.
8. Do not nail, cut, crush, throw, drop the battery cartridge, or hit against a hard object to the battery cartridge. Such conduct may result in a fire, excessive heat, or explosion.
9. Do not use a damaged battery.
10. The contained lithium-ion batteries are subject to the Dangerous Goods Legislation requirements.

For commercial transports e.g. by third parties, forwarding agents, special requirement on packaging and labeling must be observed.
For preparation of the item being shipped, consulting an expert for hazardous material is required. Please also observe possibly more detailed national regulations.
Tape or mask off open contacts and pack up the battery in such a manner that it cannot move around in the packaging.

11. When disposing the battery cartridge, remove it from the tool and dispose of it in a safe place. Follow your local regulations relating to disposal of battery.
12. Use the batteries only with the products specified by Makita. Installing the batteries to non-compliant products may result in a fire, excessive heat, explosion, or leak of electrolyte.
13. If the tool is not used for a long period of time, the battery must be removed from the tool.
14. During and after use, the battery cartridge may take on heat which can cause burns or low temperature burns. Pay attention to the handling of hot battery cartridges.
15. Do not touch the terminal of the tool immediately after use as it may get hot enough to cause burns.
16. Do not allow chips, dust, or soil stuck into the terminals, holes, and grooves of the battery cartridge. It may result in poor performance or breakdown of the tool or battery cartridge.
17. Unless the tool supports the use near high-voltage electrical power lines, do not use the battery cartridge near a high-voltage electrical power lines. It may result in a malfunction or breakdown of the tool or battery cartridge.
18. Keep the battery away from children.

SAVE THESE INSTRUCTIONS.

CAUTION: Only use genuine Makita batteries. Use of non-genuine Makita batteries, or batteries that have been altered, may result in the battery bursting causing fires, personal injury and damage. It will also void the Makita warranty for the Makita tool and charger.

Tips for maintaining maximum battery life

1. Charge the battery cartridge before completely discharged. Always stop tool operation and charge the battery cartridge when you notice less tool power.
2. Never recharge a fully charged battery cartridge. Overcharging shortens the battery service life.
3. Charge the battery cartridge with room temperature at 10 °C - 40 °C (50 °F - 104 °F). Let a hot battery cartridge cool down before charging it.
4. When not using the battery cartridge, remove it from the tool or the charger.
5. Charge the battery cartridge if you do not use it for a long period (more than six months).

PARTS DESCRIPTION

► Fig.1

1	Power switch button	2	Wind speed change button	3	Auto-off timer button
4	Oscillation button	5	Wind speed indicator	6	Auto-off timer indicator
7	Battery slot	8	12V DC socket	9	AC adaptor

FUNCTIONAL DESCRIPTION

CAUTION: Always be sure that the appliance is switched off and the battery cartridge is removed before adjusting or checking function on the appliance.

Installing or removing battery cartridge

CAUTION: Always switch off the appliance before installing or removing of the battery cartridge.

CAUTION: Hold the appliance and the battery cartridge firmly when installing or removing battery cartridge. Failure to hold the appliance and the battery cartridge firmly may cause them to slip off your hands and result in damage to the appliance and battery cartridge and a personal injury.

To remove the battery cartridge, slide it from the appliance while sliding the button on the front of the cartridge.

To install the battery cartridge, align the tongue on the battery cartridge with the groove in the housing and slip it into place. Insert it all the way until it locks in place with a little click.

► Fig.2: 1. Button 2. Battery cartridge

CAUTION: Always install the battery cartridge fully. If not, it may accidentally fall out of the appliance, causing injury to you or someone around you.

CAUTION: Do not install the battery cartridge forcibly. If the cartridge does not slide in easily, it is not being inserted correctly.

Indicating the remaining battery capacity

Press the check button on the battery cartridge to indicate the remaining battery capacity. The indicator lamps light up for a few seconds.

► Fig.3: 1. Indicator lamps 2. Check button

Indicator lamps			Remaining capacity
Lighted	Off	Blinking	
■ ■ ■ ■			75% to 100%
■ ■ ■ □			50% to 75%
■ ■ □ □			25% to 50%
■ □ □ □			0% to 25%
▣ □ □ □			Charge the battery.
■ ■ □ □			The battery may have malfunctioned.
□ □ ■ ■			

NOTE: Depending on the conditions of use and the ambient temperature, the indication may differ slightly from the actual capacity.

NOTE: The first (far left) indicator lamp will blink when the battery protection system works.

Appliance / battery protection system

The appliance is equipped with the protection system. This system automatically cuts off power to the motor to extend appliance and battery life. The appliance will automatically stop during operation if the appliance or battery is placed under one of the following conditions.

- **Overload protection :** When the appliance or battery is operated in a manner that causes it to draw an abnormally high current, the appliance automatically stops without any indication. In this situation, turn the appliance off and stop the application that caused the appliance to become overloaded. Then turn the appliance on to restart.
- **Overheat protection :** When the appliance or battery is overheated, the appliance automatically stops. Let the appliance cool down before turning it on again.
- **Overdischarge protection :** When the battery capacity becomes low, the appliance stops automatically. If the appliance does not operate even when the switches are operated, remove the battery cartridge from the appliance and charge it.

OPERATION

⚠ CAUTION: The fan is made from polypropylene resin. Some kind of oil agent or chemicals which deteriorate resin may break the fan and cause an injury.

Starting / stopping the fan

Press the power switch button to turn on the fan. Press the power switch button again to turn off the fan.

Adjusting fan head angle

The angle of the fan head can be adjusted manually. The adjustable range of the fan head is as shown in the figure.
► Fig.5

NOTICE: Do not turn the fan head beyond the adjustable range.

Oscillating the fan head

⚠ CAUTION: When oscillating the fan head, keep obstacles clear of the moving range of the fan head. The cordless fan may be pushed and fall by the oscillation.

⚠ CAUTION: Do not stop the oscillation by holding the fan head. Always press the oscillation button to stop.

Press the oscillation button to oscillate the fan head. Press the button again to stop the oscillation. The fan head begins to oscillate from the current position when the oscillation button is pressed. The fan head oscillates in the range of 90-degrees.

► Fig.6: 1. Oscillation button

NOTE: Depending on the fan head position, the fan head may not oscillate soon after the oscillation button is pressed because of the oscillation mechanism.

Auto-off timer

Press the auto-off timer button while the fan is running. The duration to activate auto-off timer changes every time you press the button (1 hour / 2 hours / 4 hours / off). The number under each auto-off timer indicator shows the remaining hour(s) to turn off the fan. The auto-off timer indicator will turn off with time.

► Fig.7: 1. Auto-off timer button

NOTE: Depending on the battery cartridge type and its remaining capacity, the auto-off timer may be activated earlier than the set time.

Changing wind speed

Press the wind speed change button while the fan is running. The wind speed increases every time you press the button. The wind speed will return to the lowest speed when running in the highest speed. The cordless fan will start in the same speed as the previous setting.

► Fig.4: 1. Wind speed change button

Using AC adaptor

⚠ WARNING: Never use the appliance when the cord or plug is damaged.

⚠ WARNING: Do not handle the plug with wet or greasy hand.

⚠ WARNING: Do not leave the AC adaptor disconnected from the appliance while the power is supplied from the mains. Small children may put the live plug in their mouth and cause injury.

⚠ WARNING: Do not put the live plug or cord into your mouth. Doing so might cause an electric shock.

Insert the 12V DC plug of AC adaptor into the 12V DC socket, and then plug the AC pins into a main power supply. Make sure that the voltage rating of the main power supply corresponds with that of the adaptor.

► Fig.8

NOTE: After the AC adaptor is connected, the appliance may take 3–5 seconds to start.

NOTE: The adaptor might creak while using it for the power supply. This doesn't affect normal use.

NOTE: Even operating in DC power mode, the appliance is automatically changed into AC power mode when plugged in.

NOTE: When the cordless fan switches the power mode from DC to AC, and vice versa, the wind speed may change temporarily.

NOTE: The AC adaptor does not charge the battery inserted to the appliance.

MAINTENANCE

⚠ CAUTION: Always be sure that the appliance is switched off, unplugged, and the battery cartridge is removed before attempting to perform inspection or maintenance.

NOTICE: Never use gasoline, benzene, thinner, alcohol or the like. Discoloration, deformation or cracks may result.

To maintain product SAFETY and RELIABILITY, repairs, any other maintenance or adjustment should be performed by Makita Authorized or Factory Service Centers, always using Makita replacement parts.

General maintenance

After the appliance is cooled, use clean clothes to remove dirt, dust, oil, grease etc.

⚠ WARNING: All parts should be replaced at an Authorized Service Center.

Fan Cleaning

⚠ CAUTION: Ensure that the fan is switched off from the supply mains before removing the guard.

When cleaning the inside of fan-cover, remove the fan-cover by following way.

1. Loosen the screw located on the back of the fan-cover.

▶ Fig.9: 1. Screw

2. Turn the fan-cover counterclockwise, and remove the fan-cover when the markings are aligned as illustrated.

▶ Fig.10: 1. Marking

▶ Fig.11

Wipe off the fan and fan-cover using a cloth dampened in soapy water.

To attach the fan-cover, follow the removing procedure in reverse. When attaching the fan-cover, make sure that the fan-cover is locked with a click.

⚠ CAUTION: Always make sure that the fan-cover is attached before use.

⚠ CAUTION: Attach the fan-cover securely. If the fan-cover is attached halfway or incorrectly, it may come off and result in personal injury or damage to the appliance.

NOTICE: Avoid applying too much load on the fan-cover. It may lead to breakage.

Storage

To prevent fire or burning, allow the appliance to cool down completely before you store it. Do not store the discharged battery for long periods, as it can shorten its service life.

OPTIONAL ACCESSORIES

⚠ CAUTION: These accessories or attachments are recommended for use with your Makita appliance specified in this manual. The use of any other accessories or attachments might present a risk of injury to persons. Only use accessory or attachment for its stated purpose.

If you need any assistance for more details regarding these accessories, ask your local Makita Service Center.

- Makita genuine battery and charger

NOTE: Some items in the list may be included in the tool package as standard accessories. They may differ from country to country.

AVISO

- Para usuários da região europeia: Este aparelho pode ser usado por crianças de 8 anos de idade ou mais, por pessoas sem experiência ou conhecimento, ou ainda com capacidade física, sensorial ou mental reduzida, desde que sejam supervisionadas ou recebam instruções sobre o uso seguro do aparelho e entendam os perigos envolvidos. Crianças não devem brincar com o aparelho. A limpeza e manutenção não devem ser feitas por crianças sem supervisão.
- Para usuários em áreas fora da Europa: Este equipamento não se destina ao uso por pessoas (incluindo crianças) com capacidades físicas, sensoriais ou mentais reduzidas ou falta de experiência e conhecimento, a menos que estejam sob supervisão ou tenham recebido instruções relativas ao uso do equipamento de uma pessoa responsável por sua segurança. Crianças devem ser supervisionadas para garantir que não brinquem com o aparelho.

ESPECIFICAÇÕES

Este ventilador é equipado com funções de controle de 3 velocidades, oscilação do cabeçote do ventilador e temporizador de desligamento automático. A alimentação de energia pode ser feita com uma bateria ou adaptador CA da Makita.

Modelo:	CF002G	
Tensão nominal	36 V - 40 V máx. CC	
Adaptador CA	Entrada	100 - 240 V, 50 / 60 Hz, 1,2 A máx.
	Saída	12 V, 3,5 A
Dimensões (C x L x A)	261 x 439 x 602 mm	
Peso líquido (sem a bateria)	3,8 kg	

- Devido ao nosso contínuo programa de pesquisa e desenvolvimento, reservamo-nos o direito de alterar especificações de partes e acessórios que constam neste manual, sem aviso prévio.
- As especificações podem diferir de país para país.

Bateria e carregador aplicáveis

Bateria	BL4020 / BL4025 / BL4040 / BL4050F
Carregador	DC40RA / DC40RB / DC40RC

- Alguns dos carregadores e baterias listados acima podem não estar disponíveis na sua região de residência.

⚠️ AVISO: Use somente as baterias e carregadores listados acima. O uso de outras baterias e carregadores pode provocar ferimentos e/ou incêndios.

Autonomia da bateria

A tabela a seguir refere-se a algumas baterias da Makita. A autonomia estimada de uma bateria com carga plena é mostrada:

Bateria	Velocidade do vento		
	Alta	Média	Baixa
BL4025	200 mín.	400 mín.	640 mín.
BL4040	320 mín.	640 mín.	1020 mín.

Símbolos

Os símbolos mostrados a seguir podem ser usados para o equipamento. Certifique-se de compreender o significado deles antes de usar o equipamento.



Leia o manual de instruções.



Ni-MH
Li-Ion

Apenas para países da UE
Devido à presença de componentes perigosos nos equipamentos, resíduos de equipamentos elétricos e eletrônicos, acumuladores e baterias podem gerar impactos negativos sobre o meio ambiente e a saúde humana.

Não descarte aparelhos elétricos e eletrônicos ou baterias juntamente com o lixo doméstico!

De acordo com a Diretiva Europeia relativa aos resíduos de equipamentos elétricos e eletrônicos, e a acumuladores, baterias e os resíduos destes, bem como sua adaptação como legislação nacional, resíduos de equipamentos elétricos e eletrônicos, baterias e acumuladores devem ser armazenados separadamente e enviados para um ponto de coleta de resíduos municipais separado, que opere em conformidade com as regulamentações de proteção ambiental.

Isso é indicado pelo símbolo da lixeira com um X afixado no equipamento.



Apenas para países da UE
Descarte correto deste produto
Esta marcação indica que este produto não deve ser descartado com outros resíduos domésticos em toda a UE. Para prevenir possíveis danos ao meio ambiente ou à saúde humana decorrentes do descarte descontrolado de resíduos, recicle-o de modo responsável para promover a reutilização sustentável dos recursos materiais. Para retornar seu dispositivo usado, utilize os sistemas de retorno e coleta ou entre em contato com o varejista onde o produto foi comprado. Ele poderá receber este produto e providenciar a reciclagem ambientalmente segura.
Devido à presença de componentes perigosos, equipamentos elétricos e eletrônicos podem gerar impactos negativos sobre o meio ambiente e a saúde humana.

Indicação de uso

Este aparelho se destina à geração de fluxo de ar.

AVISOS DE SEGURANÇA

Para prevenir ferimentos sérios, leia e entenda todos os avisos e instruções antes de utilizar.

Você precisará deste manual para consultar os avisos e precauções de segurança, bem como os procedimentos de montagem, operação, inspeção e manutenção. Mantenha este manual em um local seguro e seco para consulta futura.

INSTRUÇÕES DE SEGURANÇA IMPORTANTES

Quando usar um aparelho elétrico, siga sempre as precauções básicas, incluindo as seguintes:

LEIA TODAS AS INSTRUÇÕES ANTES DE USAR ESTE APARELHO.

AVISO

Para reduzir o risco de incêndio, choques elétricos ou ferimentos:

1. Não exponha à chuva. Guarde em ambientes fechados.
2. Não permita que seja usado como brinquedo. Preste especial atenção quando o aparelho for usado por crianças ou próximo a elas.
3. Use somente conforme descrito neste manual. Use somente os acessórios recomendados pelo fabricante.
4. Não use se a bateria estiver danificada. Se o aparelho não estiver funcionando como deveria, se tiver sido derrubado, danificado, deixado ao ar livre ou se tiver caído na água, leve-o ao nosso centro de assistência técnica.
5. Não manuseie o aparelho com as mãos molhadas.
6. Não coloque nenhum objeto nas aberturas.
7. Mantenha os cabelos, roupas largas, dedos e outras partes do corpo afastados das aberturas e de peças móveis.
8. Desligue todos os controles antes de retirar a bateria.
9. Use somente o adaptador CA e o carregador fornecidos pelo fabricante. Acessórios adequados para este aparelho podem se tornar perigosos quando utilizados em outros.
10. Não carregue a bateria ao ar livre.
11. Não exponha a chamas ou altas temperaturas.

12. Não use próximo a chamas abertas, brasas incandescentes ou em atmosferas explosivas, como por exemplo, na presença de líquidos, gases ou poeiras inflamáveis. O aparelho pode criar faíscas, as quais podem inflamar poeiras ou fumos.
 13. Nunca use o aparelho em locais úmidos, tais como em um banheiro.
 14. Este aparelho se destina somente ao uso em áreas internas. Nunca use o aparelho em áreas ao ar livre.
 15. Este aparelho se destina ao uso doméstico.
 16. Antes de usar o aparelho, leia cuidadosamente este manual de instruções e o manual de instruções do carregador.
 17. Interrompa a operação imediatamente se observar algo anormal.
 18. Se derrubar ou bater o aparelho, inspecione-o cuidadosamente para verificar se há trincas ou danos antes de iniciar a operação.
 19. Não aproxime o aparelho de fogões ou outras fontes de calor.
 20. Não use se houver peças quebradas, deformadas, trincadas ou danificadas. Todo aparelho que apresentar algum tipo de dano ou estiver operando de modo anormal deve ser retirado de serviço imediatamente. Inspeção sempre antes de operar.
 21. Não se afaste do aparelho energizado, deixando-o sem supervisão.
 22. Não utilize indevidamente o adaptador CA. Nunca use o cabo do adaptador para carregar o aparelho, nem para puxar o plugue da tomada. Mantenha o adaptador CA afastado do calor, óleo, bordas cortantes ou partes móveis. Troque o adaptador imediatamente se estiver danificado. Um adaptador danificado pode aumentar o risco de choques elétricos.
6. **Não exponha a bateria nem a ferramenta a chamas ou a temperaturas excessivas.** A exposição a chamas ou a uma temperatura acima de 130 °C podem causar explosão.
 7. **Siga todas as instruções de carregamento e não carregue a bateria nem a ferramenta fora da faixa de temperatura especificada nas instruções.** O carregamento inadequado ou a temperaturas fora da faixa especificada pode danificar a bateria e aumentar o risco de incêndio.

USO E CUIDADOS COM O VENTILADOR A BATERIA

Uso e cuidados de manuseio da bateria

1. **Recarregue somente com o carregador especificado pelo fabricante.** Um carregador que é adequado para um tipo de bateria pode criar risco de incêndio quando usado com outra bateria.
 2. **Use as ferramentas elétricas somente com as baterias especificamente designadas.** O uso de qualquer outro tipo de bateria pode criar riscos de lesão e incêndio.
 3. **Quando a bateria não estiver em uso, mantenha-a longe de outros objetos metálicos, como cliques, moedas, chaves, pregos, parafusos, etc., que podem conectar um terminal ao outro.** O curto-circuito dos terminais da bateria pode causar queimaduras ou incêndio.
 4. **Sob condições extremas, a bateria pode ejetar líquido; evite contato com tal líquido. Se ocorrer um contato acidental, lave com água. Se o líquido entrar nos olhos, procure também assistência médica.** O líquido ejetado pela bateria pode causar irritação e queimaduras.
 5. **Não use uma bateria ou ferramenta que esteja danificada ou tenha sido modificada.** Baterias danificadas ou modificadas podem exibir um comportamento imprevisível, resultando em incêndio, explosão ou risco de lesões.
1. Use o ventilador a bateria correto para a sua aplicação. Não use o ventilador para uma finalidade à qual ele não se destina.
 2. O aparelho pode operar com a bateria de íons de Li Makita indicada na seção “ESPECIFICAÇÕES” deste manual de instruções, ou com o adaptador CA. O uso de outras baterias pode criar riscos de incêndio. Recarregue as baterias usando somente o carregador especificado. Um carregador adequado para um tipo de bateria pode criar um risco de incêndio se usado com outra bateria.
 3. Enquanto fora de uso, guarde o aparelho afastado do alcance de crianças e de outras pessoas não treinadas.
 4. Desconecte a bateria e o adaptador CA da fonte de alimentação antes de guardar o aparelho, ou de executar procedimentos de inspeção, manutenção ou limpeza. Estas medidas preventivas de segurança podem reduzir o risco de o aparelho ser acionado acidentalmente.
 5. Se a bateria não estiver sendo usada, mantenha-a afastada de outros objetos metálicos. Se os terminais da bateria forem colocados em curto, isso poderá gerar faíscas, causar queimaduras ou iniciar um incêndio.
 6. Desconecte a unidade da tomada e aguarde até que ela esfrie antes de executar qualquer procedimento de inspeção, manutenção ou limpeza, ou ainda antes de guardá-la.
 7. Não permita que a familiaridade com os aparelhos leve ao descuido com seu uso. Lembre-se de que uma fração de segundo de descuido é suficiente para causar ferimentos sérios.
 8. Mantenha sempre o aparelho em uma superfície nivelada e estável. Se o aparelho cair, ele poderá causar ferimentos ou sofrer danos.
 9. Não use baterias, acessórios ou complementos que não sejam recomendados pelo fabricante deste aparelho. O uso de baterias, acessórios ou complementos não recomendados pode resultar em ferimentos pessoais sérios.
 10. Mantenha os cabelos ou acessórios soltos de roupas, tais como cachecóis, afastados do ventilador. Eles podem ficar presos no ventilador e causar ferimentos pessoais.
 11. Certifique-se de que o interruptor está na posição desligado antes de pegar ou carregar o aparelho. Carregar o aparelho com o dedo no interruptor favorece a ocorrência de acidentes.

12. Não modifique nem tente reparar o aparelho ou a bateria, exceto conforme indicado nas instruções de uso e cuidados.

ASSISTÊNCIA TÉCNICA

1. A assistência técnica do aparelho deve ser somente realizada por pessoal de reparos qualificado. A assistência técnica ou manutenção realizada por pessoal não qualificado pode resultar em risco de ferimentos.
2. Ao fazer a manutenção deste aparelho, utilize somente peças de reposição idênticas. O uso de peças não autorizadas, ou o descumprimento das instruções de manutenção, podem criar riscos de choques elétricos ou de ferimentos.
3. Não incinere este aparelho, mesmo se ele estiver seriamente danificado. As baterias podem explodir no fogo. Descarte o aparelho de acordo com as regulamentações locais.

Instruções de segurança importantes para o cartucho da bateria

1. **Antes de utilizar a bateria, leia todas as instruções e notas de precaução do (1) carregador de bateria, da (2) bateria e do (3) produto usando a bateria.**
2. **Não desmonte nem adultere a bateria.** Isto poderia resultar em incêndio, aquecimento excessivo ou explosão.
3. **Se o tempo de operação se tornar excessivamente mais curto, pare imediatamente a operação.** Operação nessas condições poderá resultar em superaquecimento, possíveis queimaduras e até explosão.
4. **Caso caia eletrólitos em seus olhos, lave-os com água limpa e procure assistência de um médico imediatamente.** Esse acidente pode resultar na perda de visão.
5. **Não provoque um curto-circuito na bateria:**
 - (1) Não toque nos terminais com nenhum material condutor.
 - (2) Não guarde a bateria junto com outros objetos metálicos, tais como pregos, moedas, etc.
 - (3) Não exponha a bateria à chuva ou água. Um curto-circuito na bateria pode causar sobrecarga de corrente, aquecimento excessivo ou possíveis queimaduras ou avarias.
6. **Não guarde nem use a ferramenta e a bateria em locais onde a temperatura possa atingir ou ultrapassar 50°C.**
7. **Não queime a bateria mesmo se estiver severamente danificada ou gasta. A bateria pode explodir no fogo.**
8. **Não perfure, corte, amasse, arremesse ou derrube a bateria, nem a atinja com um objeto rígido.** Isto poderia resultar em incêndio, aquecimento excessivo ou explosão.
9. **Não utilize uma bateria danificada.**

10. **As baterias de íons de lítio desta máquina estão sujeitas aos requisitos da legislação de produtos perigosos.**

Para transportes comerciais, por exemplo por terceiros e agentes de embarque, os requisitos especiais referentes a embalagem e rotulagem devem ser obedecidos.

Para a preparação do item sendo expedido, é necessário consultar um especialista em materiais perigosos. Considere também que as regulamentações nacionais podem ser mais detalhadas e devem ser obedecidas.

Coloque fita ou tape os contatos abertos e embale a bateria de maneira que não se mova dentro da embalagem.

11. **Para descartar a bateria, retire-a da ferramenta e descarte-a em um local seguro. Siga as regulamentações locais referentes ao descarte de baterias.**
12. **Use as baterias somente com os produtos especificados pela Makita.** A instalação das baterias com produtos não compatíveis poderá resultar em incêndio, aquecimento excessivo, explosão ou vazamento de eletrólito.
13. **A bateria deverá ser retirada da ferramenta caso esta não vá ser usada por um período de tempo prolongado.**
14. **Durante e após o uso, a bateria pode ficar quente e causar queimaduras normais ou queimaduras de baixa temperatura. Preste atenção ao manusear baterias quentes.**
15. **Não toque no terminal da ferramenta imediatamente depois de usá-la, uma vez que ele pode ficar quente o bastante para provocar queimaduras.**
16. **Não permita que aparas, poeira ou solo fiquem presos nos terminais, furos e ranhuras da bateria.** Isso poderia resultar no desempenho deficiente ou em avarias da ferramenta ou da bateria.
17. **A menos que a ferramenta seja compatível com o uso nas proximidades de linhas elétricas de alta tensão, não a use próximo a estas.** Isso poderia resultar em problemas de funcionamento ou em avarias da ferramenta ou da bateria.
18. **Mantenha a bateria fora do alcance de crianças.**

GUARDE ESTAS INSTRUÇÕES.

⚠PRECAUÇÃO: Use somente baterias Makita originais. O uso de baterias Makita não originais ou baterias que foram alteradas pode causar a explosão da bateria e resultar em incêndio, ferimentos às pessoas na área e danos aos equipamentos. O uso de baterias não originais cancela a garantia Makita tanto para a ferramenta quanto para o carregador da bateria.

Dicas para manter a vida útil máxima da bateria

1. Carregue a bateria antes de uma descarga completa. Sempre pare a operação da ferramenta e carregue a bateria quando notar perda de potência.
2. Nunca recarregue uma bateria completamente carregada. O carregamento demorado diminuirá a vida útil da bateria.
3. Carregue a bateria em uma temperatura ambiente entre 10°C e 40°C. Deixe a bateria esfriar antes de carregá-la.
4. Quando não estiver usando a bateria, remova-a da ferramenta ou do carregador.
5. Carregue a bateria se não utilizá-la por um longo período de tempo (mais de seis meses).

DESCRIÇÃO DAS PEÇAS

► Fig.1

1	Botão liga/desliga	2	Botão de mudança de velocidade do vento	3	Botão do temporizador de desligamento automático
4	Botão de oscilação	5	Indicador de velocidade do vento	6	Indicador do temporizador de desligamento automático
7	Encaixe da bateria	8	Soquete de 12 V CC	9	Adaptador CA

DESCRIÇÃO FUNCIONAL

⚠️ PRECAUÇÃO: Certifique-se sempre de que o aparelho está desligado e que a bateria foi retirada antes de executar ajustes ou de verificar o funcionamento do aparelho.

Instalação ou remoção da bateria

⚠️ PRECAUÇÃO: Desligue sempre o aparelho antes de instalar ou remover a bateria.

⚠️ PRECAUÇÃO: Segure o aparelho e a bateria com firmeza ao instalar ou remover a bateria. Não segurar o aparelho e a bateria com firmeza pode fazer com que eles escorreguem de suas mãos, danificando o aparelho e a bateria e causando ferimentos pessoais.

Para retirar a bateria, deslize-a para fora do aparelho, ao mesmo tempo em que desliza o botão na frente da bateria.

Para instalar a bateria, alinhe a lingueta desta à ranhura no compartimento e encaixe-a em posição. Coloque-a até o fim, até ela travar em posição com um leve clique.

► Fig.2: 1. Botão 2. Bateria

⚠️ PRECAUÇÃO: Coloque sempre a bateria até o fim. Caso contrário, ela poderá acidentalmente se soltar do aparelho e provocar ferimentos em você ou em pessoas próximas.

⚠️ PRECAUÇÃO: Não force a colocação da bateria. Se ela não deslizar com facilidade é porque não está sendo colocada corretamente.

Indicação da capacidade restante das baterias

Pressione o botão de checagem na bateria para ver a capacidade restante das baterias. As lâmpadas indicadoras acendem por alguns segundos.

► Fig.3: 1. Lâmpadas indicadoras 2. Botão de checagem

Lâmpadas indicadoras			Capacidade restante
Acesa	Desl	Piscando	
■	■	■	75% a 100%
■	■	□	50% a 75%
■	□	□	25% a 50%
■	□	□	0% a 25%
▬	□	□	Carregue a bateria.
■	■	□	A bateria pode ter falhado.
□	□	■	

NOTA: Dependendo das condições de uso e da temperatura ambiente, a indicação pode ser um pouco diferente da capacidade real.

NOTA: A primeira lâmpada indicadora (extrema esquerda) pisca quando o sistema de proteção da bateria funciona.

Sistema de proteção do aparelho / bateria

O aparelho é equipado com um sistema de proteção. Esse sistema corta automaticamente a alimentação de energia do motor para prolongar a vida útil do aparelho e da bateria. O aparelho para automaticamente durante a operação se uma das condições a seguir ocorrer com ele ou com a bateria.

- Proteção contra sobrecarga: Quando a operação do aparelho ou da bateria provoca um consumo anormalmente alto de corrente, o aparelho para automaticamente sem nenhum aviso. Nesse caso, desligue o aparelho e interrompa a operação que provocou a sobrecarga. Em seguida, ligue o aparelho para reiniciar.
- Proteção contra aquecimento excessivo: Quando o aparelho ou a bateria sofrem um aquecimento excessivo, o aparelho para automaticamente. Espere o aparelho esfriar antes de ligá-lo novamente.
- Proteção contra descarga excessiva: Quando a carga da bateria fica baixa, o aparelho para automaticamente. Se o aparelho não operar mesmo quando os interruptores forem acionados, retire a bateria do aparelho e recarregue-a.

Como ajustar o ângulo do cabeçote do ventilador

O ângulo do cabeçote do ventilador pode ser ajustado manualmente. A amplitude de ajuste do cabeçote do ventilador é mostrada na figura.

► Fig.5

OBSERVAÇÃO: Não gire o cabeçote do ventilador além de sua amplitude de ajuste.

Como oscilar o cabeçote do ventilador

PRECAUÇÃO: Mantenha obstáculos fora da amplitude de movimento do cabeçote do ventilador ao oscilá-lo. O ventilador a bateria pode ser empurrado pela oscilação e tombar.

PRECAUÇÃO: Não interrompa a oscilação segurando o cabeçote do ventilador. Para parar, pressione sempre o botão de oscilação.

Pressione o botão de oscilação para oscilar o cabeçote do ventilador. Pressione o botão novamente para interromper a oscilação. O cabeçote do ventilador começa a oscilar na posição em que está quando o botão de oscilação é pressionado. O cabeçote do ventilador oscila em uma amplitude de 90 graus.

► Fig.6: 1. Botão de oscilação

NOTA: Dependendo da posição do cabeçote do ventilador, talvez ele não oscile logo que o botão de oscilação for pressionado, devido ao mecanismo de oscilação.

OPERAÇÃO

PRECAUÇÃO: O ventilador é fabricado em resina de polipropileno. Alguns tipos de agentes oleosos ou produtos químicos que deterioram a resina podem avariar o ventilador e provocar ferimentos.

Como ligar / parar o ventilador

Pressione o botão liga/desliga para ligar o ventilador. Pressione o botão liga/desliga mais uma vez para desligar o ventilador.

Como mudar a velocidade do vento

Pressione o botão de mudança de velocidade do vento com o ventilador funcionando. A velocidade do vento aumenta toda vez que o botão é pressionado. Se o ventilador estiver funcionando na velocidade mais alta, ele retornará à velocidade do vento mais baixa. Ao ser ligado, o ventilador a bateria opera no mesmo ajuste de velocidade em que foi deixado anteriormente.

► Fig.4: 1. Botão de mudança de velocidade do vento

Temporizador de desligamento automático

Pressione o botão do temporizador de desligamento automático com o ventilador funcionando. O tempo levado para acionar o desligamento automático muda cada vez que o botão é pressionado (1 hora / 2 horas / 4 horas / desativado). O número abaixo de cada indicador do temporizador de desligamento automático mostra o tempo que levará, em horas, para que o ventilador seja desligado. O indicador do temporizador de desligamento automático desligará quando esse tempo for atingido.

► Fig.7: 1. Botão do temporizador de desligamento automático

NOTA: Dependendo do tipo de bateria e da carga remanescente dela, a função de desligamento automático poderá ser acionada antes do tempo ajustado.

Como usar o adaptador CA

⚠️ AVISO: Nunca use o aparelho se o cabo ou o plugue estiverem danificados.

⚠️ AVISO: Não manuseie o plugue com as mãos molhadas ou gorduradas.

⚠️ AVISO: Não deixe o adaptador CA desconectado do aparelho enquanto estiver sendo alimentado através da rede. Crianças pequenas podem colocar o plugue energizado na boca e se ferir.

⚠️ AVISO: Não coloque o plugue ou o cabo energizados na boca. Fazer isso pode resultar em choque elétrico.

Insira o plugue de 12 V CC do adaptador CA no conector de 12V CC e conecte os pinos CA a uma fonte de alimentação da rede. Certifique-se de que a tensão nominal da fonte de alimentação da rede corresponda à do adaptador.

► Fig.8

NOTA: Depois que o adaptador CA estiver conectado, poderá levar de 3 a 5 segundos para que o aparelho comece a funcionar.

NOTA: O adaptador poderá ranger enquanto estiver sendo usado como fonte de alimentação. Isso não afeta o uso normal.

NOTA: Mesmo quando operado no modo de alimentação CC, o aparelho passa automaticamente para o modo de alimentação CA quando conectado à tomada.

NOTA: Quando o ventilador a bateria passa do modo de alimentação CC para CA, e vice-versa, a velocidade do vento pode mudar temporariamente.

NOTA: O adaptador CA não carrega a bateria se esta estiver inserida no aparelho.

MANUTENÇÃO

⚠️ PRECAUÇÃO: Antes de realizar qualquer inspeção ou manutenção, verifique sempre se o aparelho está desligado, desconectado da tomada e se a bateria foi removida.

👁️ OBSERVAÇÃO: Nunca use gasolina, benzina, diluente, álcool ou produtos semelhantes. Pode ocorrer descoloração, deformação ou rachaduras.

Para manter a SEGURANÇA e a CONFIABILIDADE do produto, os reparos e qualquer outra manutenção ou ajustes devem ser feitos pelos centros autorizados de assistência técnica da Makita ou na própria fábrica da Makita, utilizando sempre peças originais Makita.

Manutenção geral

Depois que o aparelho houver resfriado, use panos limpos para remover sujeira, pó, óleos, graxas, etc.

⚠️ AVISO: Todas as peças devem ser substituídas em um centro de assistência técnica autorizado.

Limpeza do ventilador

⚠️ PRECAUÇÃO: Certifique-se de que o ventilador está desconectado da rede antes de remover o protetor.

Para limpar o interior da tampa do ventilador, remova-a como se segue.

1. Solte o parafuso localizado na parte traseira da tampa do ventilador.

► Fig.9: 1. Parafuso

2. Gire a tampa do ventilador para a esquerda e retire-a quando as marcações ficarem alinhadas, conforme mostrado na ilustração.

► Fig.10: 1. Marcação

► Fig.11

Limpe o ventilador e a tampa do ventilador com um pano umedecido em água e sabão.

Para instalar a tampa do ventilador, siga o processo de remoção na ordem inversa. Depois de colocar a tampa do ventilador, certifique-se de travá-la até ouvir um clique.

⚠️ PRECAUÇÃO: Certifique-se sempre de que a tampa do ventilador está presa antes de usar.

⚠️ PRECAUÇÃO: Prenda a tampa do ventilador com firmeza. Se a tampa do ventilador for acoplada somente até a metade, ou incorretamente, ela poderá se soltar e causar ferimentos pessoais ou danos ao aparelho.

👁️ OBSERVAÇÃO: Evite aplicar muita carga à tampa do ventilador. Isso poderia causar a sua quebra.

Armazenamento

Para prevenir incêndios ou queimaduras, aguarde até que o aparelho esfrie completamente antes de guardá-lo. Não armazene a bateria descarregada por períodos de tempo prolongados, uma vez que isso poderia encurtar sua vida útil.

ACESSÓRIOS OPCIONAIS

⚠PRECAUÇÃO: Estes acessórios ou complementos são recomendados para uso com o aparelho Makita especificado neste manual. A utilização de outros acessórios ou complementos pode oferecer risco de ferimentos em pessoas. Somente utilize o acessório ou complemento para o fim a que se destina.

Se necessitar de informações adicionais relativas a estes acessórios, solicite-as ao centro de assistência técnica Makita em sua região.

- Baterias e carregadores originais Makita

NOTA: Alguns itens da lista podem estar incluídos na embalagem da ferramenta como acessórios padrão. Eles podem variar de país para país.

ADVERTENCIA

- Para usuarios en Europa: Este aparato puede ser utilizado por niños de 8 o más años de edad y personas con capacidades físicas, sensoriales o mentales mermadas, o sin experiencia y conocimiento, si han recibido supervisión o instrucción para el uso del aparato de forma segura y son conscientes del peligro que implica. Los niños no deben jugar con el aparato. La limpieza y mantenimiento que debe hacer el usuario no deben ser realizados por niños sin supervisión.
- Para usuarios en zonas distintas de Europa: Este aparato no ha sido previsto para ser utilizado por personas (incluidos niños) con capacidades físicas, sensoriales o mentales reducidas, o falta de experiencia y conocimiento, a menos que una persona responsable por su seguridad les haya dado supervisión o instrucción concerniente al uso del aparato. Los niños pequeños deberán ser supervisados para asegurarse de que no juegan con el aparato.

ESPECIFICACIONES

Este ventilador está equipado con funciones de control de 3 velocidades, oscilación del cabezal del ventilador, y temporizador de apagado automático. El suministro de alimentación se puede hacer con un cartucho de batería o el adaptador de CA de Makita.

Modelo:	CF002G	
Tensión nominal	CC 36 V - 40 V máx.	
Adaptador de CA	Entrada	100 - 240 V, 50 / 60 Hz, 1,2 A máx.
	Salida	12 V, 3,5 A
Dimensiones (La x An x Al)	261 x 439 x 602 mm	
Peso neto (sin cartucho de batería)	3,8 kg	

- Debido a nuestro continuado programa de investigación y desarrollo, las especificaciones aquí dadas están sujetas a cambios sin previo aviso.
- Las especificaciones pueden ser diferentes de país a país.

Cartucho de batería y cargador aplicables

Cartucho de batería	BL4020 / BL4025 / BL4040 / BL4050F
Cargador	DC40RA / DC40RB / DC40RC

- Algunos de los cartuchos de batería y cargadores indicados arriba puede que no estén disponibles dependiendo de su región de residencia.

⚠ ADVERTENCIA: Utilice solamente los cartuchos de batería y cargadores indicados arriba. La utilización de cualquier otro cartucho de batería y cargador puede ocasionar heridas y/o un incendio.

Tiempo de funcionamiento de la batería

La tabla siguiente hace referencia a algunos de los cartuchos de batería de Makita. Se muestra el tiempo de funcionamiento estimado de una batería completamente cargada:

Cartucho de batería	Velocidad del viento		
	Alta	Media	Baja
BL4025	200 min	400 min	640 min
BL4040	320 min	640 min	1020 min

Símbolos

A continuación se muestran los símbolos que pueden ser utilizados para el equipo. Asegúrese de que entiende su significado antes de utilizar.



Lea el manual de instrucciones.



NI-MH
Li-Ion

Sólo para países de la Unión Europea
Debido a la presencia de componentes peligrosos en el equipo, el equipo eléctrico y electrónico, los acumuladores y las baterías desechados pueden tener un impacto negativo para el medioambiente y la salud humana.

¡No tire los aparatos eléctricos y electrónicos ni las baterías junto con los residuos domésticos!

De conformidad con las Directivas Europeas sobre residuos de aparatos eléctricos y electrónicos y sobre acumuladores y baterías, así como la adaptación de las mismas a la ley nacional, el equipo eléctrico, las baterías y los acumuladores desechados deberán ser almacenados por separado y trasladados a un punto distinto de recogida de desechos municipales, que cumpla con los reglamentos sobre protección medioambiental.

Esto se indica mediante el símbolo de cubo de basura tachado colocado en el equipo.



Sólo para países de la Unión Europea
Desecho correcto de este producto
Esta marca indica que este producto no debe ser desechado junto con otros residuos domésticos en toda la UE. Para evitar posibles daños al medioambiente o a la salud de las personas debidos al desecho incontrolado de los residuos, reciclelo responsablemente con objeto de impulsar la reutilización sostenible de los recursos materiales. Para retornar su dispositivo usado, por favor, utilice los sistemas de retorno y recogida o póngase en contacto con el vendedor donde fue comprado el producto. Ellos pueden aceptar este producto para su reciclado respetuoso con el medioambiente de forma segura.
Debido a la presencia de componentes peligrosos en el equipo, el equipo eléctrico y electrónico desechado puede tener un impacto negativo para el medioambiente y la salud humana.

Uso previsto

El aparato ha sido previsto para generar flujo de aire.

ADVERTENCIAS DE SEGURIDAD

Para evitar heridas graves, lea y entienda todas las advertencias e instrucciones antes de utilizar. **Necesitará este manual para las advertencias y precauciones de seguridad y los procedimientos de montaje, operación, inspección y mantenimiento. Guarde este manual en un lugar seguro y seco para consultarlo en el futuro.**

INSTRUCCIONES DE SEGURIDAD IMPORTANTES

Cuando utilice un aparato eléctrico, deberá observar siempre unas precauciones básicas, incluyendo lo siguiente:

LEA TODAS LAS INSTRUCCIONES ANTES DE UTILIZAR ESTE APARATO.

ADVERTENCIA

Para reducir el riesgo de incendio, descarga eléctrica o heridas:

1. No esponga el aparato a la lluvia. Almacene el aparato en interiores.
2. No permita que el aparato sea utilizado como juguete. Es necesario prestar mucha atención cuando el aparato sea utilizado por niños o cerca de ellos.
3. Utilícelo solamente como se describe en este manual. Utilice solamente acoplamientos recomendados por el fabricante.
4. No lo utilice con una batería dañada. Si el aparato no está funcionando como debería porque se le ha caído, se ha dañado, lo ha dejado en exteriores, o se ha caído al agua, llévelo a nuestro centro de servicio.
5. No maneje el aparato con las manos mojadas.
6. No ponga ningún objeto en las aberturas.
7. Mantenga el cabello, ropa holgada, dedos y todas las partes de su cuerpo alejados de las aberturas y las partes en movimiento.
8. Desactive todos los controles antes de extraer la batería.
9. Utilice solamente el adaptador de CA y el cargador suministrados por el fabricante. Los accesorios que pueden ser apropiados para un aparato pueden resultar peligrosos cuando se utilizan en otros.

10. No cargue la batería en exteriores.
 11. No exponga al fuego ni a altas temperaturas.
 12. No utilice cerca de llamas libres, brasas fulgurantes ni en atmósferas explosivas, como en presencia de líquidos, gases o polvo inflamables. El aparato crea chispas que pueden prender fuego al polvo o los humos.
 13. No utilice nunca el aparato en lugares húmedos tal como en un cuarto de baño.
 14. Este aparato es para uso en interiores solamente. No utilice nunca el aparato en exteriores.
 15. Este aparato ha sido previsto para ser utilizado en el hogar.
 16. Lea este manual de instrucciones y el manual de instrucciones del cargador atentamente antes de utilizar el aparato.
 17. Detenga la operación inmediatamente si nota algo anormal.
 18. Si deja caer o golpea el aparato, compruebe atentamente si tiene grietas o algún daño antes de iniciar la operación.
 19. No acerque el aparato a estufas u otras fuentes de calor.
 20. No utilice si hay presentes partes rotas, dobladas, agrietadas o dañadas. Cualquier aparato que parezca estar dañado de cualquier manera o que su funcionamiento no sea normal se deberá dejar de utilizar inmediatamente. Inspecciónelo antes de cada operación.
 21. No deje el aparato con la corriente conectada y sin atenderlo.
 22. No haga mal uso del adaptador de CA. No utilice nunca el cable del adaptador para transportar el aparato ni para desenchufar la clavija de la toma de corriente. Mantenga el adaptador de CA alejado del calor, aceite, bordes cortantes o partes en movimiento. Reemplace el adaptador dañado inmediatamente. El adaptador dañado puede aumentar el riesgo de que se produzca una descarga eléctrica.
4. **En condiciones abusivas, es posible que salga expulsado líquido de la batería; evite el contacto con él. Si se produce un contacto accidental, enjuague con agua. Si el líquido entra en los ojos, además de enjuagarlos, solicite asistencia médica.** El líquido expulsado de la batería puede ocasionar irritación y quemaduras.
 5. **No utilice una batería o herramienta que esté dañada o modificada.** Las baterías dañadas o modificadas pueden comportarse de forma impredecible resultando en un incendio, explosión o riesgo de heridas.
 6. **No exponga una batería o herramienta al fuego o a temperatura excesiva.** La exposición al fuego o a una temperatura superior a los 130 °C puede ocasionar una explosión.
 7. **Siga todas las instrucciones de carga y no cargue la batería o la herramienta fuera del rango de temperatura especificado en las instrucciones.** Cargar incorrectamente o a temperaturas fuera del rango especificado puede dañar la batería y aumentar el riesgo de incendio.

UTILIZACIÓN Y CUIDADO DEL VENTILADOR INALÁMBRICO

Utilización y cuidado de la herramienta a batería

1. **Cargue la batería solamente con el cargador especificado por el fabricante.** Un cargador que es apropiado para un tipo de batería puede crear un riesgo de incendio cuando se utiliza con otra batería.
2. **Utilice las herramientas eléctricas solamente con las baterías designadas específicamente para ellas.** La utilización de cualquier otra batería puede crear un riesgo de heridas o incendio.
3. **Cuando la batería no esté siendo utilizada, guárdela alejada de otros objetos metálicos, como sujetapapeles, monedas, llaves, clavos, tornillos u otros objetos metálicos pequeños, que puedan hacer conexión entre un terminal y el otro.** Si se cortocircuitan entre sí los terminales de la batería podrán producirse quemaduras o un incendio.
1. Utilice el ventilador inalámbrico correcto para su aplicación. No utilice el ventilador con un propósito para el que no ha sido previsto.
2. El aparato puede funcionar con el cartucho de batería de litio-ion de Makita designado en la sección "ESPECIFICACIONES" en este manual de instrucciones o el adaptador de CA. La utilización de cualquier otra batería puede crear un riesgo de incendio. Recargue la batería solamente con el cargador especificado. Un cargador que puede ser apropiado para un tipo de batería puede crear un riesgo de incendio cuando se utiliza con otra batería.
3. Guarde el aparato que no esté utilizando fuera del alcance de los niños y otras personas no preparadas.
4. Desconecte el cartucho de batería y el adaptador de CA de la toma de corriente antes de almacenar el aparato, realizar cualquier procedimiento de inspección, mantenimiento, o limpieza. Tales medidas de seguridad preventiva pueden reducir el riesgo de que el aparato pueda ser puesto en marcha accidentalmente.
5. Cuando el cartucho de batería no esté siendo utilizado, manténgalo alejado de otros objetos metálicos. Si se cortocircuitan los terminales de la batería podrán producirse chispas, quemaduras o un incendio.
6. Desenchufe la unidad y deje que se enfríe antes de realizar cualquier procedimiento de inspección, mantenimiento, limpieza o almacenamiento.
7. No permita que la familiaridad con los aparatos lo vuelva descuidado. Recuerde que un descuido de una fracción de segundo es suficiente para infligirle graves heridas.
8. Ponga siempre el aparato sobre una superficie nivelada y estable. Si el aparato se cae, puede ocasionar heridas personales o daños al mismo aparato.

9. No utilice ninguna batería, acoplamiento o accesorio no recomendado por el fabricante de este aparato. La utilización de baterías, acoplamientos o accesorios no recomendados pueden resultar en heridas personales graves.
10. Mantenga el cabello o la ropa holgada como una bufanda alejado del ventilador. Se puede enganchar en el ventilador y resultar en heridas personales.
11. Asegúrese de que el interruptor está en la posición desactivada antes de recoger o transportar el aparato. Transportar el aparato con el dedo en el interruptor es una invitación a accidentes.
12. No modifique o intente reparar el aparato o el cartucho de batería excepto como se indica en las instrucciones para la utilización y cuidado.

SERVICIO

1. El servicio de este aparato deberá ser realizado solamente por personal de reparación cualificado. Un servicio o mantenimiento realizado por personal no cualificado podrá resultar en un riesgo de sufrir heridas.
2. Cuando haga el servicio a este aparato, utilice solamente piezas de repuesto idénticas. La utilización de piezas no autorizadas o el no seguir las instrucciones de mantenimiento puede crear un riesgo de descarga eléctrica o heridas.
3. No incinere este aparato, aunque esté dañado severamente. Las baterías pueden explotar si se tiran al fuego. Deseche el aparato de acuerdo con los reglamentos locales.

Instrucciones de seguridad importantes para el cartucho de batería

1. **Antes de utilizar el cartucho de batería, lea todas las instrucciones e indicaciones de precaución sobre (1) el cargador de baterías, (2) la batería, y (3) el producto con el que se utiliza la batería.**
2. **No desensamble ni manipule el cartucho de batería.** Podrá resultar en un incendio, calor excesivo, o una explosión.
3. **Si el tiempo de uso se acorta demasiado, cese la operación inmediatamente.** Podría resultar en un riesgo de recalentamiento, posibles quemaduras e incluso una explosión.
4. **Si entra electrolito en sus ojos, aclárelos con agua limpia y acuda a un médico inmediatamente.** Existe el riesgo de poder perder la vista.
5. **No cortocircuite el cartucho de batería:**
 - (1) **No toque los terminales con ningún material conductor.**
 - (2) **Evite guardar el cartucho de batería en un cajón junto con otros objetos metálicos, como clavos, monedas, etc.**
 - (3) **No esponga el cartucho de batería al agua ni a la lluvia.**

Un cortocircuito en la batería puede producir una gran circulación de corriente, un recalentamiento, posibles quemaduras e incluso una rotura de la misma.

6. **No guarde ni utilice la herramienta y el cartucho de batería en lugares donde la temperatura pueda alcanzar o exceder los 50 °C.**
7. **Nunca incinere el cartucho de batería incluso en el caso de que esté dañado seriamente o ya no sirva en absoluto. El cartucho de batería puede explotar si se tira al fuego.**
8. **No clave, corte, aplaste, lance, deje caer el cartucho de batería, ni golpee contra un objeto duro el cartucho de batería.** Tal conducta podrá resultar en un incendio, calor excesivo, o una explosión.
9. **No utilice una batería dañada.**
10. **Las baterías de litio-ion contenidas están sujetas a los requisitos de la Legislación para Materiales Peligrosos.**
Para transportes comerciales, p.ej., por terceras personas y agentes de transportes, se deberán observar requisitos especiales para el empaquetado y etiquetado.
Para la preparación del artículo que se va a enviar, se requiere consultar con un experto en materiales peligrosos. Por favor, observe también la posibilidad de reglamentos nacionales más detallados.
Cubra con cinta aislante o enmascare los contactos expuestos y empaquete la batería de tal manera que no se pueda mover alrededor dentro del embalaje.
11. **Para desechar el cartucho de batería, retírelo de la herramienta y deséchelo en un lugar seguro. Siga los reglamentos locales referentes al desecho de la batería.**
12. **Utilice las baterías solamente con los productos especificados por Makita.** La instalación de las baterías en productos no compatibles puede resultar en un incendio, calor excesivo, explosión, o fuga de electrolito.
13. **Si la herramienta no va a ser utilizada durante un periodo de tiempo largo, la batería deberá ser retirada de la herramienta.**
14. **Durante y después de la utilización, el cartucho de batería podrá acumular calor, lo cual puede ocasionar quemaduras o quemaduras de baja temperatura.** Preste atención al manejo de cartuchos de batería calientes.
15. **No toque el terminal de la herramienta inmediatamente después de utilizar, dado que puede calentarse lo suficiente como para ocasionar quemaduras.**
16. **No permita que virutas, polvo, o tierra se adhieran dentro de los terminales, orificios, y ranuras del cartucho de batería.** Podría resultar en un mal rendimiento o rotura de la herramienta o el cartucho de batería.
17. **A menos que la herramienta pueda utilizarse cerca de cables eléctricos de alta tensión, no utilice el cartucho de batería cerca de cables eléctricos de alta tensión.** Podrá resultar en un mal funcionamiento o rotura de la herramienta o el cartucho de batería.

18. Mantenga la batería alejada de los niños.

GUARDE ESTAS INSTRUCCIONES.

⚠PRECAUCIÓN: Utilice solamente baterías genuinas de Makita. La utilización de baterías no genuinas de Makita, o baterías que han sido alteradas, puede resultar en una explosión de la batería ocasionando incendios, heridas personales y daños. También anulará la garantía de Makita para la herramienta y el cargador de Makita.

Consejos para alargar al máximo la vida de servicio de la batería

1. Cargue el cartucho de batería antes de que se descargue completamente. Detenga siempre la operación y cargue el cartucho de batería cuando note menos potencia en la herramienta.
2. No cargue nunca un cartucho de batería que esté completamente cargado. La sobrecarga acortará la vida de servicio de la batería.
3. Cargue el cartucho de batería a temperatura ambiente de 10 °C - 40 °C. Si un cartucho de batería está caliente, déjelo enfriar antes de cargarlo.
4. Cuando no esté utilizando el cartucho de batería, retírelo de la herramienta o del cargador.
5. Cargue el cartucho de batería si no lo utiliza durante un periodo de tiempo prolongado (más de seis meses).

DESCRIPCIÓN DE LAS PARTES

► Fig.1

1	Botón interruptor de la alimentación	2	Botón de cambio de velocidad del viento	3	Botón de temporizador de apagado automático
4	Botón de oscilación	5	Indicador de velocidad del viento	6	Indicador de temporizador de apagado automático
7	Ranura para batería	8	Conector de 12 V CC	9	Adaptador de CA

DESCRIPCIÓN DEL FUNCIONAMIENTO

⚠PRECAUCIÓN: Asegúrese siempre de que el aparato está apagado y el cartucho de batería ha sido retirado antes de ajustar o comprobar una función en el aparato.

Instalación o extracción del cartucho de batería

⚠PRECAUCIÓN: Apague siempre el aparato antes de instalar o retirar el cartucho de batería.

⚠PRECAUCIÓN: Sujete el aparato y el cartucho de batería firmemente cuando instale o retire el cartucho de batería. Si no sujeta el aparato y el cartucho de batería firmemente podrán caérsele de las manos y resultar en daños al aparato y cartucho de batería y heridas personales.

Para retirar el cartucho de batería, deslícelo hacia afuera del aparato mientras desliza el botón de la parte delantera del cartucho.

Para instalar el cartucho de batería, alinee la lengüeta del cartucho de batería con la ranura de la carcasa y deslícelo hasta que encaje en su sitio. Insértelo a tope hasta que se bloquee en su sitio produciendo un pequeño chasquido.

► Fig.2: 1. Botón 2. Cartucho de batería

⚠PRECAUCIÓN: Instale siempre el cartucho de batería completamente. En caso contrario, podrá caerse accidentalmente del aparato y ocasionarle heridas a usted o a alguien que esté cerca de usted.

⚠PRECAUCIÓN: No instale el cartucho de batería empleando fuerza. Si el cartucho no se desliza al interior fácilmente, será porque no está siendo insertado correctamente.

Modo de indicar la capacidad de batería restante

Presione el botón de comprobación en el cartucho de batería para indicar la capacidad de batería restante. Las lámparas indicadoras se iluminan durante unos pocos segundos.

► **Fig.3:** 1. Lámparas indicadoras 2. Botón de comprobación

Lámparas indicadoras			Capacidad restante
Iluminada	Apagada	Parpadeando	
			75% a 100%
			50% a 75%
			25% a 50%
			0% a 25%
			Cargue la batería.
			Puede que la batería no esté funcionando bien.

NOTA: Dependiendo de las condiciones de utilización y de la temperatura ambiente, la indicación podrá variar ligeramente de la capacidad real.

NOTA: La primera lámpara indicadora (extremo izquierdo) parpadeará cuando el sistema de protección de la batería esté funcionando.

Sistema de protección del aparato / batería

El aparato está equipado con un sistema de protección. Este sistema corta automáticamente la alimentación del motor para alargar la vida útil del aparato y la batería. El aparato se detendrá automáticamente durante la operación si el aparato o la batería es puesto en una de las condiciones siguientes.

Ajuste del ángulo del cabezal del ventilador

El ángulo del cabezal del ventilador se puede ajustar manualmente. El rango ajustable del cabezal del ventilador es como se muestra en la figura.

► **Fig.5**

AVISO: No gire el cabezal del ventilador más allá de su rango ajustable.

- **Protección contra sobrecarga:** Cuando el aparato o la batería sea utilizado de manera que tenga que absorber una corriente anormalmente alta, el aparato se parará automáticamente sin ninguna indicación. En esta situación, apague el aparato y detenga la tarea que ocasiona la sobrecarga del aparato. Después encienda el aparato para volver a empezar.
- **Protección contra recalentamiento:** Cuando el aparato o la batería se recaliente, el aparato se detendrá automáticamente. Deje que el aparato se enfríe antes de encenderlo otra vez.
- **Protección contra descarga excesiva:** Cuando la capacidad de batería sea baja, el aparato se detendrá automáticamente. Si el aparato no funciona aun cuando los interruptores sean accionados, retire el cartucho de batería del aparato y cárguelo.

OPERACIÓN

⚠PRECAUCIÓN: El ventilador está hecho de resina de polipropileno. Algunos derivados del petróleo o productos químicos que deterioran la resina pueden romper el ventilador y ocasionar heridas.

Puesta en marcha / parada del ventilador

Presione el botón interruptor de la alimentación para encender el ventilador. Presione el botón interruptor de la alimentación otra vez para apagar el ventilador.

Cambio de la velocidad del viento

Presione el botón de cambio de velocidad del viento mientras el ventilador está en marcha. La velocidad del viento aumenta cada vez que presiona el botón. La velocidad del viento volverá a la velocidad más baja cuando esté funcionando a la velocidad más alta. El ventilador inalámbrico comenzará a la misma velocidad que la del ajuste anterior.

► **Fig.4:** 1. Botón de cambio de velocidad del viento

Oscilación del cabezal del ventilador

⚠PRECAUCIÓN: Cuando oscile el cabezal del ventilador, mantenga los obstáculos alejados del recorrido del cabezal del ventilador. La oscilación puede empujar y hacer caer el ventilador inalámbrico.

⚠PRECAUCIÓN: No detenga la oscilación sujetando el cabezal del ventilador. Presione siempre el botón de oscilación para parar.

Presione el botón de oscilación para oscilar el cabezal del ventilador. Presione el botón otra vez para detener la oscilación. El cabezal del ventilador comenzará a oscilar desde la posición actual cuando se presione el botón de oscilación. El cabezal del ventilador oscila en el rango de 90 grados.

► **Fig.6:** 1. Botón de oscilación

NOTA: Según la posición del cabezal del ventilador, es posible que el cabezal del ventilador no oscile enseguida después de haber presionado el botón de oscilación debido al mecanismo de oscilación.

Temporizador de apagado automático

Presione el botón de temporizador de apagado automático mientras el ventilador está funcionando. La duración para activar el temporizador de apagado automático cambiará cada vez que presione el botón (1 hora / 2 horas / 4 horas / desactivado). El número debajo de cada indicador de temporizador de apagado automático muestra la hora u horas restantes hasta que el ventilador se apague. El indicador de temporizador de apagado automático se apagará una vez transcurrido el tiempo.

► **Fig.7:** 1. Botón de temporizador de apagado automático

NOTA: El temporizador de apagado automático podrá activarse antes del tiempo programado en función del tipo de cartucho de batería y su capacidad restante.

Utilización del adaptador de CA

⚠ADVERTENCIA: No utilice nunca el aparato cuando el cable o la clavija esté dañado.

⚠ADVERTENCIA: No maneje la clavija con las manos mojadas o grasientas.

⚠ADVERTENCIA: No deje el adaptador de CA desconectado del aparato mientras está siendo suministrada alimentación de la toma de corriente. Los niños pequeños pueden poner la clavija con corriente en su boca y ocasionar heridas.

⚠ADVERTENCIA: No ponga la clavija o el cable con corriente en su boca. Si lo hace podrá ocasionar una descarga eléctrica.

Inserte la clavija de 12 V CC del adaptador de CA en el conector de 12 V CC, y después enchufe la clavija de CA a una toma de corriente. Asegúrese de que la tensión nominal de la toma de corriente corresponde con la del adaptador.

► **Fig.8**

NOTA: Después de haber conectado el adaptador de CA, el aparato podrá tardar de 3 a 5 segundos en ponerse en marcha.

NOTA: Es posible que el adaptador cruja mientras se está utilizando para el suministro de alimentación. Esto no afectará al uso normal.

NOTA: Incluso funcionando en modo de alimentación CC, el aparato cambia automáticamente a modo de alimentación CA cuando se enchufa.

NOTA: Cuando el ventilador inalámbrico cambie el modo de alimentación de CC a CA, y viceversa, es posible que la velocidad del viento cambie temporalmente.

NOTA: El adaptador de CA no carga la batería insertada en el aparato.

MANTENIMIENTO

⚠PRECAUCIÓN: Asegúrese siempre de que el aparato está apagado, desenchufado, y el cartucho de batería ha sido retirado antes de intentar hacer una inspección o mantenimiento.

AVISO: No utilice nunca gasolina, bencina, disolvente, alcohol o similares. Podría producir descoloración, deformación o grietas.

Para mantener la SEGURIDAD y FIABILIDAD del producto, las reparaciones, y cualquier otra tarea de mantenimiento o ajuste deberán ser realizadas en centros de servicio o de fábrica autorizados por Makita, empleando siempre repuestos Makita.

Mantenimiento general

Después de que el aparato se haya enfriado, utilice un paño limpio para retirar la suciedad, polvo, aceite, grasa, etc.

⚠ADVERTENCIA: Todas las partes deberán ser reemplazadas en un Centro de Servicio Autorizado.

Limpieza del ventilador

⚠ PRECAUCIÓN: Asegúrese de que el ventilador está desconectado de la toma de corriente antes de retirar el protector.

Cuando limpie el interior de la cubierta del ventilador, retire la cubierta del ventilador de la forma siguiente.

1. Afloje el tornillo ubicado en la parte trasera de la cubierta del ventilador.

► **Fig.9:** 1. Tornillo

2. Gire la cubierta del ventilador hacia la izquierda, y retire la cubierta del ventilador cuando las marcas estén alineadas como se muestra en la ilustración.

► **Fig.10:** 1. Marca

► **Fig.11**

Limpie el ventilador y la cubierta del ventilador utilizando un paño humedecido en agua jabonosa. Para colocar la cubierta del ventilador, siga el procedimiento de desmontaje a la inversa. Cuando coloque la cubierta del ventilador, asegúrese de que la cubierta del ventilador se bloquea con un chasquido.

⚠ PRECAUCIÓN: Asegúrese siempre de que la cubierta del ventilador está colocada antes de utilizar.

⚠ PRECAUCIÓN: Coloque la cubierta del ventilador firmemente. Si la cubierta del ventilador está colocada a medias o incorrectamente, podrá soltarse y resultar en heridas personales o daños al aparato.

AVISO: Evite aplicar demasiada carga sobre la cubierta del ventilador. Podría dar lugar a una rotura.

Almacenamiento

Para evitar un incendio o quemaduras, deje que el aparato se enfríe completamente antes de almacenarlo. No almacene durante largo tiempo una batería descargada, porque su vida de servicio se podrá acortar.

ACCESORIOS OPCIONALES

⚠ PRECAUCIÓN: Estos accesorios o aditamentos están recomendados para utilizar con su aparato Makita especificado en este manual. El uso de otros accesorios o aditamentos puede suponer un riesgo de heridas personales. Solo use el accesorio o aditamento para su fin específico.

Si necesita cualquier ayuda para más detalles en relación con estos accesorios, pregunte al centro de servicio Makita local.

- Batería y cargador genuinos de Makita

NOTA: Algunos elementos de la lista podrán estar incluidos en el paquete de la herramienta como accesorios estándar. Pueden variar de un país a otro.

警告

- 致欧洲用户: 在有人监督或接受安全操作指导并清楚可能存在的危险后, 8岁以上的儿童以及体力、感觉及心智不健全或原本缺乏经验和相关知识的人员可操作本工具。请勿让儿童玩耍本工具。在无人监督的情况下, 请勿让儿童单独进行清洁和保养工作。
- 致非欧洲地区用户: 本设备不得由不熟悉操作说明的人员(包括小孩)和体力、感觉及心智不健全或缺乏经验和知识的人员使用, 除非由负责他们安全的人员在使用时对他们进行监督和指导。应看管好儿童, 勿让其玩耍本工具。

规格

本风扇具有3速控制、风扇头摆动和自动关机定时器功能。可使用Makita (牧田) 电池组或AC适配器供电。

型号:	CF002G	
额定电压	D.C. 36 V - 40 V (最大)	
AC适配器	输入	100 - 240 V, 50 / 60 Hz, 1.2 A 最大
	输出	12 V, 3.5 A
尺寸 (长 × 宽 × 高)	261 x 439 x 602 mm	
净重 (不含电池组)	3.8 kg	

- 生产者保留变更规格不另行通知之权利。
- 规格可能因销往国家之不同而异。

适用电池组和充电器

电池组	BL4020 / BL4025 / BL4040 / BL4050F
充电器	DC40RA / DC40RB / DC40RC

- 部分以上所列电池组和充电器是否适用视用户所在地区而异。

⚠警告: 请仅使用以上所列电池组和充电器。使用其他类型的电池组或充电器可能会导致人身伤害和/或失火。

电池运行时间

下表数据是Makita（牧田）的一些电池组。所示为充满电的电池的预估运行时间。

电池组	风速		
	高	中	低
BL4025	200分钟	400分钟	640分钟
BL4040	320分钟	640分钟	1020分钟

符号

以下显示本设备可能会使用的符号。在使用工具之前，请务必理解其含义。



阅读使用说明书。



仅限于欧盟国家

由于本设备中包含有害成分，因此废弃的电气和电子设备、蓄电池和普通电池可能会对环境和人体健康产生负面影响。请勿将电气和电子工具或电池与家庭普通废弃物放在一起处置！

根据欧洲关于废弃电气电子设备、蓄电池和普通电池的指令及其国家层面的修订法案，废弃的电气设备、普通电池和蓄电池应当单独存放并递送至城市垃圾收集点，根据环保法规进行处置。

此规定由标有叉形标志的带轮垃圾桶符号表示。



仅限于欧盟国家
正确弃置本产品

此标记表明于欧盟境内，本产品不应与其他家庭普通废弃物一同丢弃。为防止任意丢弃废弃物的潜在危害，请为材料资源的可持续循环使用贡献一己之力。如需回收设备，请使用退还回收系统或联系当地该产品的经销商。经销商可用确保环境安全的方式回收本产品。由于本设备中包含有害成分，因此使用过的电气和电子设备可能会对环境和人体健康产生负面影响。

用途

本工具用于产生气流。

安全警告

为防止造成人身伤害，请在使用前阅读并理解所有警告和说明事项。

您将需要本说明书来了解安全警告和注意事项以及组装、操作、检查和保养步骤。请将本说明书保存在安全干燥处以备将来参考。

重要安全注意事项

使用电气工具时，应遵循以下基本注意事项：

使用本工具前请阅读所有的注意事项。

警告

旨在降低起火、触电或人身伤害的风险：

1. 勿使本工具淋雨。室内存放。
2. 勿用作玩具。由儿童使用或在其附近使用时，务必注意安全。
3. 仅用作本说明书描述的用途。仅使用制造商推荐的装置。
4. 请勿使用损坏的电池。如果工具因坠落、损坏、置于室外，或落入水中而不能正常工作，请将其送至我们的维修中心。
5. 勿用湿手操作工具。
6. 勿将任何物体置于吸嘴中。
7. 头发、宽松衣服、手指以及身体所有部位请勿靠近吸嘴和移动的部件。
8. 取出电池前关闭所有控制开关。
9. 仅使用制造商提供的AC适配器和充电器。将适用于本工具的附件用于其他工具可能会导致危险情况。
10. 勿在室外对电池充电。
11. 勿暴露在火中或高温条件下。

12. 请勿在靠近明火、发热余烬或存有可燃液体、气体或粉尘的易爆环境中使用。本工具产生的火花可能会引燃粉尘或气体。
13. 切勿在浴室等潮湿场所使用本工具。
14. 本工具仅供室内使用。切勿在室外使用本工具。
15. 本工具供室内使用。
16. 使用前请仔细阅读本说明书和充电器说明书。
17. 若发现有任何异常请立即停止操作。
18. 如果您掉落或碰撞了本工具，操作前请仔细检查工具上是否有裂缝或损伤。
19. 勿将本工具靠近火炉或其他热源。
20. 如果有破损、弯折、开裂或受损部件，请勿使用。任何受损或操作异常的工具都必须立即停止使用。每次操作前进行检查。
21. 勿将工具置于通电而无人照看的状态。
22. 不得滥用AC适配器。切勿使用适配器导线携带工具或将插头拉出插座。避免使AC适配器受热、沾染油脂，碰到尖锐的边缘或移动的部件。立即更换损坏的适配器。损坏的适配器会增加触电的危险。

用电池驱动的电动工具的使用和保养

1. **请仅使用制造商指定的充电器进行充电。**将适用于某一种类型电池组的充电器用于其他类型的电池组时，可能会导致起火。
2. **电动工具仅可使用专门指定的电池组。**使用其他类型的电池组可能会导致人身伤害或起火。
3. **不使用电池组时请将其远离纸夹、硬币、钥匙、钉子、螺丝或其他小型金属物体放置。**这些物体可能会使电池端子短路。这些物体可能会使电池端子短路，引起燃烧或起火。
4. **使用过度时，电池中可能溢出液体。请避免接触。如果意外接触到电池漏液，请用水冲洗。如果液体接触到眼睛，请就医。**电池漏液可能会导致过敏发炎或灼伤。
5. **不要使用损坏或改装过的电池包或工具。**损坏或改装过的电池组可能呈现无法预测的结果，导致着火、爆炸或伤害。
6. **不要将电池包暴露于火或高温中。**电池包暴露于火或高于130℃的高温中可能导致爆炸。
7. **遵循所有充电说明。不要在说明书中指定的温度范围之外给电池包或电动工具充电。**不正确或在指定的温度范围外充电可能会损坏电池和增加着火的风险。

充电式风扇使用和维护

1. 根据用途使用正确的充电式风扇。勿将风扇用于非设计的用途。
2. 本工具可使用本说明书中“规格”章节指定的Makita（牧田）锂离子电池组或AC适配器。使用任何其他电池可能会导致起火。仅使用指定的充电器给电池充电。将适用于某一类型电池的充电器用于其他类型的电池可能会导致起火。
3. 将闲置的工具存放在儿童或其他未经培训人员接触不到的位置。
4. 存放工具前断开电池组并从电源断开AC适配器，执行所有检查、保养或清洁步骤。这些安全防护措施可降低工具意外起动的危险。
5. 不使用电池组时，使其远离其他金属物体。这些物体可能会使电池端子短路，导致产生火花、燃烧或起火。
6. 执行任何检查、保养、清洁步骤或存储前，请拔掉电源并使其冷却。
7. 请勿因对工具熟悉而疏忽大意。注意，片刻的疏忽足以造成严重的人身伤害。
8. 务必将工具放置在平坦稳定的表面上。如果工具跌落，可能会造成人身伤害或工具损坏。
9. 不要使用本工具制造商未推荐的任何电池、装置或附件。使用未推荐的电池、装置或附件会导致严重的人身伤害。
10. 使头发或松散的衣物（如围巾）远离风扇。否则其可能会缠入风扇，造成人身伤害。
11. 在拿起或搬运工具之前，请确保开关处于关闭位置。手指放在开关上搬运工具会招致事故。
12. 除非使用和维护说明中另有指示，否则请勿改装或尝试维修工具或电池组。

维修

1. 本工具的维修仅可由具备资格的维修人员执行。不具资格的人员执行维修或保养会导致人身伤害。
2. 维修本工具时，请仅使用与原来相同的更换部件。使用未经认可的部件或不遵守保养说明可能会导致触电或人身伤害。
3. 即使本工具已严重损坏，也请勿焚烧。电池会在火中爆炸。根据当地法规处理工具。

电池组的重要安全注意事项

1. 在使用电池组之前，请仔细阅读所有的说明以及 (1) 电池充电器，(2) 电池，以及 (3) 使用电池的产品上的警告标记。
2. 切勿拆卸或改装电池组。否则可能引起火灾、过热或爆炸。
3. 如果机器运行时间变得过短，请立即停止使用。否则可能会导致过热、起火甚至爆炸。
4. 如果电解液进入您的眼睛，用清水将其冲洗干净并立即就医。否则可能会导致视力受损。
5. 请勿使电池组短路：
 - (1) 请勿使任何导电材料碰触到端子。
 - (2) 避免将电池组与其他金属物品如钉子、硬币等放置在同一容器内。
 - (3) 请勿将电池组置于水中或使其淋雨。电池短路将产生大的电流，导致过热，并可能导致起火甚至击穿。
6. 请勿在温度可能达到或超过50°C (122°F) 的场所存放以及使用工具和电池组。
7. 即使电池组已经严重损坏或完全磨损，也请勿焚烧电池组。电池组会在火中爆炸。
8. 请勿对电池组射钉，或者切削、挤压、抛掷、掉落电池组，又或者用硬物撞击电池组。否则可能引起火灾、过热或爆炸。
9. 请勿使用损坏的电池。
10. 本工具附带的锂离子电池需符合危险品法规要求。

第三方或转运代理等进行商业运输时，应遵循包装和标识方面的特殊要求。有关运输项目的准备作业，咨询危险品方面的专业人士。同时，请遵守可能更为详尽的国家法规。

请使用胶带保护且勿遮掩表面的联络信息，并牢固封装电池，使电池在包装内不可动。
11. 丢弃电池组时，需将其从工具上卸下并在安全地带进行处理。关于如何处理废弃的电池，请遵循当地法规。
12. 仅将电池用于Makita (牧田) 指定的产品。将电池安装至不兼容的产品会导致起火、过热、爆炸或电解液泄漏。
13. 如长时间未使用工具，必须将电池从工具内取出。
14. 使用工具期间以及使用工具之后，电池组温度可能较高易引起灼伤或低温烫伤。处理高温电池组时请小心操作。

15. 在使用工具后请勿立即触碰工具的端子，否则可能引起灼伤。
16. 避免锯屑、灰尘或泥土卡入电池组的端子、孔口和凹槽内。否则可能导致工具或电池组性能下降或故障。
17. 除非工具支持在高压电源线路附近使用，否则请勿在高压电源线路附近使用电池组。否则可能导致工具或电池组故障或失常。
18. 确保电池远离儿童。

请保留此说明书。

小心： 请仅使用Makita (牧田) 原装电池。使用非Makita (牧田) 原装电池或经过改装的电池可能会导致电池爆炸，从而造成火灾、人身伤害或物品受损。同时也会导致牧田工具和充电器的牧田保修服务失效。

保持电池最大使用寿命的提示

1. 在电池组电量完全耗尽前及时充电。发现工具电量低时，请停止工具操作，并给电池组充电。
2. 请勿对已充满电的电池组重新充电。过度充电将缩短电池的使用寿命。
3. 请在10°C - 40°C (50°F - 104°F) 的室温条件下给电池组充电。请在灼热的电池组冷却后再充电。
4. 不使用电池组时，请将其从工具或充电器上拆除。
5. 如果电池组长时间 (超过六个月) 未使用，请给其充电。

部件说明

► 图片1

1	电源开关按钮	2	风速变换按钮	3	自动关机定时器按钮
4	摆动按钮	5	风速指示灯	6	自动关机定时器指示灯
7	电池槽	8	12V DC插口	9	AC适配器

功能描述

⚠️小心： 调节或检查工具功能之前，请务必关闭工具的电源并取出电池组。

安装或拆卸电池组

⚠️小心： 安装或拆卸电池组之前，请务必关闭工具电源。

⚠️小心： 安装或拆卸电池组时请握紧工具和电池组。否则它们可能从您的手中滑落，导致工具和电池组受损，甚至造成人身伤害。

拆卸电池组时，按下电池组前侧的按钮，同时将电池组从工具中抽出。

安装电池组时，要将电池组上的舌簧与外罩上的凹槽对齐，然后推滑到位。将其完全插入到位，直到锁定并发出卡嗒声为止。

► 图片2: 1. 按钮 2. 电池组

⚠️小心： 务必将电池组完全装入。否则它可能会从工具中意外脱落，从而造成自身或他人受伤。

⚠️小心： 请勿强行安装电池组。如果电池组难以插入，可能是插入方法不当。

显示电池的剩余电量

按电池组上的CHECK（查看）按钮可显示电池剩余电量。指示灯将亮起数秒。

► 图片3: 1. 指示灯 2. CHECK（查看）按钮

指示灯			剩余电量
■ 点亮	□ 熄灭	▣ 闪烁	
■	■	■	75%至100%
■	■	□	50%至75%
■	□	□	25%至50%
■	□	□	0%至25%
▣	□	□	给电池充电。
■	■	□	电池可能出现故障。
□	□	■	

注： 在不同的使用条件及环境温度下，指示灯所示电量可能与实际情况略有不同。

注： 当电池保护系统启动时，第一个（最左侧）指示灯将闪烁。

工具 / 电池保护系统

本工具配备有保护系统。该系统可自动切断电机电源以延长工具和电池寿命。作业时，如果工具或电池处于以下情况，工具将会自动停止运转。

- 过载保护：以导致异常高电流的方式操作工具或电池时，工具会自动停止运转而无任何指示。在这种情况下，请关闭工具并停止导致工具过载的应用操作。然后开启工具重新启动。

- 过热保护：工具或电池过热时，它会自动停止运转。请等待工具冷却后再启动。
- 过放电保护：电池剩余电量变低时，工具会自动停止运转。如果开启开关仍不能使工具运转，请从工具上取出电池组并予以充电。

操作

⚠小心： 风扇采用聚丙烯树脂制作。某些会使树脂变质的油剂或化学药品可能会损坏风扇并造成人身伤害。

调节风扇头角度

风扇头的角度可手动调节。风扇头的可调节范围如下图所示。

► **图片5**

注意： 请勿超范围调节风扇头。

摆动风扇头

⚠小心： 摆动风扇头时，请清除风扇头移动范围内的物体。该充电式风扇可能会因摆动而倾倒。

⚠小心： 请勿固定住风扇头使其停止摆动。务必按摆动按钮使其停止。

按摆动按钮摆动风扇头。再次按该按钮停止摆动。按下摆动按钮时，风扇头从当前位置开始摆动。风扇头摆动范围为90度。

► **图片6：1.** 摆动按钮

注： 根据风扇头的位置，由于摆动机构的原因，在按下摆动按钮后风扇头可能不会立即摆动。

自动关机定时器

在风扇运转时按自动关机定时器按钮。每次该按钮都会变换启动自动关机定时器的时长（1小时 / 2小时 / 4小时 / 关闭）。每个自动关机定时器指示灯下方的数字指示关闭风扇前剩余的小时数。自动关机定时器指示灯会随着时间的推移而熄灭。

► **图片7：1.** 自动关机定时器按钮

注： 根据电池组类型和其剩余电量，自动关机定时器可能会早于设定时间启动。

启动 / 停止风扇

按电源开关按钮打开风扇。再次按电源开关按钮关闭风扇。

变换风速

在风扇运转时按风速变换按钮。每按一次该按钮，风速会增大。当达到最高速度时，风速会恢复到最低速度。该充电式风扇将按与之前设定相同的速度启动。

► **图片4：1.** 风速变换按钮

使用AC适配器

⚠警告： 导线或插头受损时，切勿使用本工具。

⚠警告： 不得用潮湿或油腻的手处理插头。

⚠警告： 接通主电源时，不得使AC适配器从工具上断开。幼小儿童可能会将带电插头放入口中并导致受伤。

⚠警告： 不得将带电插头或导线放入口中。否则可能会导致触电。

将AC适配器的12V DC插头插入12V DC插口，然后将AC引脚插入主电源。确保主电源的额定电压符合适配器的电压要求。

► **图片8**

注： 连接好AC适配器后，工具可能需要3-5秒启动。

注： 将适配器连接到电源时可能会发出嘎吱声响。这不会影响正常使用。

注： 插入电源时，即使正在以直流电源模式操作，工具也会自动更改为交流电源模式。

注： 当充电式风扇将电源模式从直流切换为交流，或相反时，风速可能会暂时改变。

注： AC适配器不会给插入工具的电池充电。

保养

⚠小心： 检查或保养工具之前，请务必关闭工具电源，拔出电源插头并取出电池组。

注意： 切勿使用汽油、苯、稀释剂、酒精或类似物品清洁工具。否则可能会导致工具变色、变形或出现裂缝。

为了保证产品的安全与可靠性，维修、任何其他维修保养或调节需由Makita（牧田）授权的或工厂维修服务中心完成。务必使用Makita（牧田）的替换部件。

常规保养

待工具冷却后，使用清洁的布清除污垢、灰尘和油脂等。

⚠警告： 所有部件均应由授权的维修中心更换。

风扇清洁

⚠小心： 拆下保护罩前，确保风扇已从主电源断开。

清洁风扇外壳的内部时，请按以下方法拆下风扇外壳。

1. 松开风扇外壳后部的螺丝。

▶ **图片9：1. 螺丝**

2. 逆时针转动风扇外壳，在如图对齐标记时拆下风扇外壳。

▶ **图片10：1. 标记**

▶ **图片11**

使用蘸有肥皂水的布擦拭风扇和风扇外壳。安装风扇外壳时，请按照与拆卸相反的步骤进行。安装风扇外壳时，确保风扇外壳锁定到位。

⚠小心： 使用前务必确保已安装风扇外壳。

⚠小心： 牢固安装风扇外壳。如果未完全装好风扇外壳或安装不正确，它可能会脱落并导致人身伤害或工具损坏。

注意： 避免对风扇外壳施加过重的负载。否则可能会导致其破裂。

存放

为防止起火或着火，请在存放工具前使其完全冷却。请勿长时间存放亏电的电池，这会导致其寿命缩短。

选购附件

⚠小心： 这些附件或装置专用于本说明书所列的Makita（牧田）工具。使用其他配件或装置存在人身伤害风险。仅可将附件或装置用于规定目的。

如您需要了解更多关于这些选购附件的信息，请咨询当地的Makita（牧田）维修服务中心。

- Makita（牧田）原装电池和充电器

注： 本列表表中的一些部件可能作为标准配件包含于工具包装内。它们可能因销往国家之不同而异。

警告

- 歐洲地區使用者須知：8 歲以上兒童及身體、感官或智力缺陷者，或缺乏使用經驗與知識者，需在人員監督或了解如何安全使用器具，並了解可能產生之危險的情況下使用本器具。兒童不得把玩本器具。在未經監督的情況下，不得讓兒童進行清潔及使用維護。
- 非歐洲地區使用者須知：本器具不適用於身體、感官或智力缺陷者，或缺乏使用經驗與知識者（包括兒童），除非由負責這些人員安全的監護人監督或瞭解如何安全使用器具。應監督兒童，確保他們不會將本器具當成玩具。

規格

本電風扇配備 3 段速控制、風扇頭擺動，以及自動關閉計時器功能。可使用 Makita（牧田）電池組或 AC 變壓器供電。

型號：	CF002G	
額定電壓	D.C. 36 V - 40 V（最大）	
AC 變壓器	輸入	100 – 240 V，50 / 60 Hz，1.2 A（最大）
	輸出	12 V，3.5 A
尺寸（長 × 寬 × 高）	261 x 439 x 602 mm	
淨重（不含電池組）	3.8 kg	

- 生產者保留變更規格不另行通知之權利。
- 規格可能因銷往國家之不同而異。

適用的電池組與充電器

電池組	BL4020 / BL4025 / BL4040 / BL4050F
充電器	DC40RA / DC40RB / DC40RC

- 上述某些電池組與充電器可能會因居住地區而無法使用。

⚠警告：務必使用上述的電池組與充電器。使用任何其他電池組與充電器可能會導致人員受傷和／或火災。

電池運行時間

下表列出部分 Makita（牧田）電池組。完全充電電池的預計運行時間如下所示：

電池組	風速		
	高	中	低
BL4025	200 分鐘	400 分鐘	640 分鐘
BL4040	320 分鐘	640 分鐘	1020 分鐘

符號

以下顯示本設備可能使用的符號。在使用工具前，請務必理解其涵義。



請仔細閱讀使用說明書。



僅用於歐盟國家

由於本設備中存有危險組件，廢棄電氣與電子設備、蓄電池與電池可能會對環境與人體健康產生負面影響。

請勿將電氣與電子器具或電池和家庭廢棄物一同處理！

根據針對廢棄電氣與電子設備、蓄電池與電池及廢棄蓄電池與電池制訂的歐洲指令及其對本國法律的修改版，應依照環境保護法規個別存放廢棄電氣設備、電池與蓄電池，並將其送至都市垃圾獨立回收點。這類設備會在設備上以打叉的滑輪垃圾桶作為符號標示。



僅用於歐盟國家
正確丟棄本產品

此標記代表在歐盟境內，本產品不應與其他家庭廢棄物一同丟棄。為了避免任意丟棄的廢棄物對環境或人體健康造成危害，請負起回收責任，促進物質資源的永續利用。若要回收舊裝置，請善用資源回收系統，或聯絡當初出售本產品的經銷商。經銷商能以環保方式回收本產品。

由於本設備中存有危險組件，廢棄電氣與電子設備可能會對環境與人體健康產生負面影響。

用途

本器具用於產生氣流。

安全警告

為避免嚴重受傷，使用前請詳讀並了解所有警告及說明。

如需安全警告及注意事項、組裝、操作、檢查及保養程序，請參閱本手冊。請將本手冊保存於安全且乾燥的場所，以供日後參照。

重要安全須知

使用電動器具時，請務必遵守下列基本安全注意事項：

使用本器具前，應詳閱所有說明。

警告

為降低火災、觸電或受傷風險：

1. 勿受雨水淋濕。請置放於室內。
2. 請勿當成玩具使用。由兒童使用或在兒童附近使用時，需特別注意。
3. 請依照本手冊內說明使用。僅可使用製造商建議之配件。
4. 請勿使用損壞的電池。若器具無法正常運作、經摔落、損壞、置於室外或掉入水中，請將其送回維修中心。
5. 請勿以潮濕的雙手使用器具。
6. 請勿將任何物體塞入開口處。
7. 頭髮、寬鬆衣物、手指及身體所有部位需與器具開口處及運動部件保持距離。
8. 取下電池前，應將所有機械控制關閉。
9. 僅可使用製造商提供的 AC 變壓器與充電器。其他器具使用本器具適用附件時，可能會產生危害。
10. 請勿於室外進行電池充電。
11. 請勿暴露於火源或高溫環境。
12. 請勿在明火、高溫餘火、易爆環境周遭操作本工具，例如具有可燃液體、氣體或粉塵的環境。器具產生的火花可能會引燃粉塵或氣體。
13. 切勿在浴室等潮濕環境中使用本器具。

14. 本器具僅限於室內使用。切勿於室外使用本器具。
15. 本器具為家用器具。
16. 使用前，請詳閱本說明手冊及充電器說明手冊。
17. 若發現任何異常，請立即停止操作。
18. 若器具遭摔落或撞擊，請於操作前仔細檢查有無破裂或損壞。
19. 請勿使器具接近火爐或其他熱源。
20. 若部件破損、彎曲、破裂或損壞，請勿使用器具。若器具疑似出現任何損壞或異常作動情形，請立即停止使用。每次操作前請先檢查。
21. 請勿在無人看管的情況下使器具繼續通電。
22. 請勿濫用 AC 變壓器。搬運器具或從插座拔除插頭時，切勿拉扯變壓器電線。避免使 AC 變壓器接觸熱源、油脂、尖銳邊緣或運動部件。若變壓器損壞，請立即更換。變壓器受損會增加觸電危險。

用電池驅動的電動工具的使用和注意事項

1. 僅使用製造商指定的充電器進行充電。使用適用於某一類型電池組的充電器給其他電池組充電可能會引起火災。
2. 僅使用專門設計的電池組給電動工具供電。使用任何其他電池組可能會造成人身傷害及火災。
3. 不使用電池組時請將其遠離紙夾、硬幣、鑰匙、釘子、螺絲或其他小型金屬物體放置。這些物體可能會使電池端子短路。短接電池端子可能會引起燃燒或起火。
4. 使用過度時，電池中可能溢出液體；請避免接觸。如果意外接觸到電池漏液，請用水沖洗。如果液體接觸到眼睛，請就醫。電池漏液可能會導致過敏發炎或灼傷。
5. 請勿使用損壞或經修改過的電池組或工具。損壞或經修改過的電池可能會出現無法預料的運作情形，而引發火災、爆炸或人員受傷風險。
6. 請勿將電池組或工具暴露於火源或高溫環境。暴露於火源或 130 °C 以上的高溫可能會發生爆炸。
7. 請遵守所有充電說明，並勿於說明中指定之溫度範圍外進行電池組或工具充電。以錯誤的方式或於指定之溫度範圍外進行充電，可能會損壞電池，並增加火災風險。

充電式電風扇使用及注意事項

1. 根據用途使用適當的充電式電風扇。請勿將電風扇用於非預定用途。
2. 本器具可透過本說明手冊「規格」小節中指定的 Makita（牧田）鋰離子電池組或 AC 變壓器運作。使用任何其他電池可能會有火災風險。請使用專用充電器為電池充電。使用某一類型電池適用的充電器為其他電池充電，可能會引發火災。
3. 請將閒置器具存放於兒童及其他未受訓人員無法取得之處。
4. 存放器具、執行任何檢查、保養或清潔程序前，請將電池組及 AC 變壓器從電源拔除。此類防護性安全措施可降低器具意外起動的風險。
5. 不使用電池組時，請使其遠離其他金屬物體。將電池端子短接可能會產生火花、導致灼傷或起火。
6. 執行任何檢查、保養、清潔程序或存放前，請先拔除設備插頭，並使其冷卻。
7. 請勿因熟悉器具而粗心大意。請牢記，一時疏忽足以導致人員嚴重受傷。
8. 請務必將器具置於水平的穩固表面上。若器具摔落，可能造成人員受傷或器具損壞。
9. 請勿使用任何非本器具製造商建議的電池、配件或附件。使用非建議的電池、配件或附件可能會導致人員嚴重受傷。
10. 頭髮或圍巾等寬鬆衣物請勿接近電風扇。否則可能會捲入電風扇中，進而導致人員受傷。
11. 拿起或搬動器具之前，確保開關處於關閉位置。搬運器具時手指放在開關上可能會發生意外。
12. 除使用及注意事項說明指示外，請勿改裝或嘗試維修器具或電池組。

維修

1. 本器具維修作業僅可由合格維修人員執行。交由非合格人員執行維修或保養可能導致受傷風險。
2. 維修本器具時，僅可使用相同的更換部件。使用未授權部件或未遵守保養說明可能會導致觸電或受傷風險。
3. 即使已嚴重受損，亦不得焚燒本器具。否則，電池會在火中爆炸。請依照當地法規棄置本器具。


電池組的重要安全須知

1. 使用電池組之前，請閱讀（1）充電器、（2）電池和（3）使用電池的產品上的所有指示說明和注意標識。
2. 請勿拆解或改裝電池組。以免引發火災、過熱或爆炸。
3. 如果工具運行時間極短，請立即停止使用。否則可能會導致過熱、起火甚至爆炸。
4. 如果電解液進入眼睛，請立即用清水沖洗並就醫。這種情況可能會導致失明。
5. 請勿短接電池組：
 - (1) 請勿用任何導電材料觸碰電池端子。
 - (2) 避免將電池組與釘子、硬幣等金屬物品存放在同一容器中。
 - (3) 請勿將電池組置於水中或使其淋雨。電池短路會產生較大的電流、導致過熱並可能引起起火甚至擊穿。
6. 請勿在溫度可能達到或超過 50 °C 的場所存放或使用工具和電池組。
7. 請勿焚燒電池組，即使其已嚴重損壞或徹底磨損。電池組會在火中爆炸。
8. 請勿釘牢、切割、輾壓、丟擲、摔落電池組，或使電池組撞擊硬物。這類行為可能會引發火災、過熱或爆炸。
9. 請勿使用損壞的電池。
10. 本工具附帶的鋰離子電池需符合危險品法規要求。

第三方或轉運代理在進行商業運輸時，應遵循包裝和標識方面的特殊要求。有關運輸項目的準備作業，諮詢危險品方面的專業人士。同時，請遵守可能更詳盡的國家法規。

請使用膠帶保護且勿遮掩表面的聯絡資訊，並牢固封裝電池，使電池在包裝內不可動。
11. 廢棄電池須移出工具並安全地棄置。關於如何處理廢棄的電池，請遵循當地法規。
12. 電池僅可用於 **Makita**（牧田）規定產品。將電池裝入非相容產品中可能會導致起火、過熱、爆炸或電解液滲漏情形。
13. 若工具長期間不使用，電池須從工具移出。
14. 使用期間和之後，電池組可能會發燙，因而造成燙傷或低溫灼傷。處理發燙的電池組時，請多加小心。
15. 使用後請勿立即觸碰工具的端子，因為端子溫度極高，足以造成燙傷。
16. 請勿讓碎屑或塵土卡在電池組的端子、孔洞和溝槽。以免造成工具或電池組性能下降或故障。
17. 除非工具支援在高電壓電氣線路附近使用，否則請勿在高電壓電氣線路附近使用電池組。以免造成工具或電池組失常或故障。
18. 將電池置於孩童無法觸及之處。

妥善保存這些手冊。

 **小心：**請僅使用原裝Makita（牧田）電池。使用非原裝Makita（牧田）電池或經過改裝的電池可能會導致電池爆炸，從而造成火災、人身傷害或物品受損。同時也會導致牧田工具和充電器的牧田保修服務失效。

保持電池最大使用壽命的提示

1. 要在電池組完全放電前對其充電。當發現工具動力不足時，一定要停止使用工具並對電池組進行充電。
2. 切勿對已經充滿的電池組再次充電。過度充電會縮短電池的使用壽命。
3. 要在室溫為 10 °C – 40 °C 的條件下對電池組充電。請在充電前使處於發熱狀態的電池組冷卻。
4. 不使用電池組時，請將其從工具或充電器取下。
5. 如果電池組長時間（超過六個月）未使用，請給其充電。

部件說明

► 圖片1

1	電源開關按鈕	2	風速變更按鈕	3	自動關閉計時器按鈕
4	擺動按鈕	5	風速指示燈	6	自動關閉計時器指示燈
7	電池插槽	8	12V DC 插口	9	AC 變壓器

功能描述

⚠️小心：調整或檢查器具功能之前，請務必關閉器具電源開關並取下電池組。

安裝或拆卸電池組

⚠️小心：安裝或拆卸電池組前，請務必先關閉器具電源開關。

⚠️小心：安裝或拆卸電池組時，請握緊器具和電池組。若未握緊，器具和電池組可能會從手中滑落，進而導致器具和電池組損壞及人員受傷。

若要拆卸電池組，請在滑動電池組前方按鈕的同時將其從器具中抽出。

安裝電池組時，將電池組舌片對準外殼上的槽溝，並將其滑入定位。將其插到底，直到聽見喀嗒聲鎖入定位為止。

► **圖片2:** 1. 按鈕 2. 電池組

⚠️小心：務必將電池組完全裝入。否則其可能會從器具意外脫落，導致自身或他人受傷。

⚠️小心：請勿過度用力安裝電池組。如果電池組滑動不平滑，可能是插入不當。

顯示電池的剩餘電量

按下電池組上的檢查按鈕顯示剩餘電池電量。指示燈將亮起數秒。

► **圖片3:** 1. 指示燈 2. 檢查按鈕

指示燈			剩餘電量
亮起	關閉	閃爍	
■ ■ ■ ■			75%至100%
■ ■ ■ □			50%至75%
■ ■ □ □			25%至50%
■ □ □ □			0%至25%
▣ □ □ □			請對電池進行充電。
■ ■ □ □ ↑ ↓ □ □ ■ ■			電池可能存在故障。

注：根據使用條件和環境溫度，指示電量可能於實際電量有稍許不同。

注：電池保護系統運作時，第一個(最左側)指示燈將閃爍。

器具／電池保護系統

本器具配備保護系統。此系統可自動切斷馬達電源，以延長器具和電池使用壽命。若本器具或電池出現以下情況，器具將會自動停止運作。

- 過載保護：以導致器具或電池產生異常高電流的方式操作時，器具會自動停止運作且不會發出任何指示。在此情況下，請關閉器具電源，並停止會導致器具過載的操作方式。接著再打開器具電源，重新啟動器具。
- 過熱保護：器具或電池過熱時，將自動停止運作。請等待器具冷卻後再重新開啟。
- 過放電保護：電池電量變低時，本器具將自動停止運作。如果即使打開開關，本器具仍不運轉，請取下器具電池組並進行充電。

操作

⚠️小心：風扇以聚丙烯樹脂製成。部分會導致樹脂劣化的油劑或化學物質種類，可能使風扇受損並造成人員受傷。

啟動／停止電風扇

按一下電源開關按鈕可開啟電風扇。再按一下電源開關按鈕即可關閉電風扇。

變更風速

電風扇運轉時按一下風速變更按鈕。每按一下按鈕風速會提升。以最高風速運轉時，將回復到最低風速。充電式電風扇將以前次設定的相同風速啟動。

► **圖片4:** 1. 風速變更按鈕

調整電風扇頭角度

可手動調整電風扇頭角度。電風扇頭的可調整範圍如圖所示。

► 圖片5

注意：請勿將電風扇頭轉至可調整範圍外。

擺動電風扇頭

⚠️小心：擺動電風扇頭時，請移除電風扇頭移動範圍內的障礙物。充電式電風扇可能會因擺動而受到推擠並傾倒。

⚠️小心：請勿以固定電風扇頭的方式使其停止擺動。請務必按下擺動按鈕使其停止擺動。

按一下擺動按鈕可使電風扇頭擺動。再按一下按鈕即可停止擺動。按下擺動按鈕時，電風扇頭會從目前位置開始擺動。電風扇頭會在 90 度範圍內擺動。

► 圖片6： 1. 擺動按鈕

注：視電風扇頭位置，電風扇頭可能會因擺動機制而不會在按下擺動按鈕後立即擺動。

自動關閉計時器

電風扇運轉時按一下自動關閉計時器按鈕。每按一下按鈕可變更自動關閉計時器啟動的持續時間（1 小時／2 小時／4 小時／關閉）。每個自動關閉計時器指示燈下方會顯示電風扇關閉的剩餘小時數。自動關閉計時器指示燈將在時間到後熄滅。

► 圖片7： 1. 自動關閉計時器按鈕

注：視電池組類型及其剩餘電量，自動關閉計時器啟動時間可能會早於設定時間。

使用 AC 變壓器

⚠️警告：切勿在電線或插頭受損時使用本器具。

⚠️警告：請勿在手部潮濕或沾有油脂的情形下拿取插頭。

⚠️警告：由市電供電時，請勿將 AC 變壓器從器具拔除。幼童可能會將通電的插頭放入口中而受傷。

⚠️警告：請勿將通電的插頭或電線放入口中。否則可能會觸電。

將 AC 變壓器的 12V DC 插頭插入 12V DC 插口，接著再將 AC 接腳插入主電源。請確認主電源的電壓額定值與變壓器的電壓額定值一致。

► 圖片8

注：連接 AC 變壓器後，本器具需花費 3-5 秒啟動。

注：供電時，變壓器可能會發出聲響。這並不影響正常使用。

注：即使在 DC 電源模式中操作，本器具也會在插入插頭時自動轉換為 AC 電源模式。

注：將充電式電風扇的電源模式從 DC 切換到 AC 或反向切換時，風速可能會暫時改變。

注：AC 變壓器不會為插入器具中的電池充電。

保養

⚠️小心：嘗試執行檢查或保養作業前，請務必關閉器具電源開關、拔除插頭並取下電池組。

注意：切勿使用汽油、苯、稀釋劑、酒精或類似物品清潔工具。否則可能會導致工具變色、變形或出現裂縫。

為了保證產品的安全與可靠性，任何維修或其他維修保養工作需由 Makita（牧田）授權的或工廠維修服務中心來進行。務必使用 Makita（牧田）的更換部件。

一般保養

待器具冷卻後，使用乾淨的布擦除髒汙、灰塵及油漬等。

⚠️警告：所有部件皆應於授權服務中心進行更換。

電風扇清潔

⚠️小心： 拆下護網前，請確認電風扇電源已關閉。

清潔風扇罩內側時，請以下列方式取下風扇罩。

1. 鬆開風扇罩後方的螺絲。
▶ **圖片9:** 1. 螺絲
2. 逆時針轉動風扇罩，並於記號如圖所示對齊時取下風扇罩。
▶ **圖片10:** 1. 記號
▶ **圖片11**

將布沾取肥皂水擦拭電風扇及風扇罩。
若要安裝風扇罩，依拆卸的相反順序重複上述步驟即可。安裝風扇罩時，請確認風扇罩發出喀嗒聲鎖入定位。

⚠️小心： 使用前請務必安裝風扇罩。

⚠️小心： 牢固地安裝風扇罩。若未確實或正確安裝，風扇罩可能會脫落，並導致人員受傷或器具損壞。

注意： 請勿使風扇罩負重。否則會使其損壞。

存放

為避免起火或燃燒，存放前請待器具完全冷卻。請勿將已放電電池長期存放，否則使用壽命將會縮短。

選購附件

⚠️小心： 這類配件或組件為本說明手冊中所列的 **Makita (牧田) 器具專用**。如使用其他廠牌配件或組件，可能會發生人員受傷的危險。僅可將選購配件或組件用於規定目的。

如您需要瞭解更多關於這些選購附件的信息，請諮詢當地的 **Makita (牧田) 維修服務中心**。

- **Makita (牧田) 原裝電池和充電器**

注： 本列表表中的一些部件可能作為標準配件包含於工具包裝內。規格可能因銷往國家之不同而異。

台灣RoHS限用物質含有量標示
請掃描右方QR Code或參考下列網址；
<https://makita.com.tw/rohs/>



生產製造商名稱：**Makita Corporation**

進口商名稱：台灣牧田股份有限公司

電話：02-8601-9898

傳真機：02-8601-2266

地址：新北市 24459 林口區文化三路二段 798 號

경고

- 유럽 지역 사용자를 위한 지침: 안전한 기기 사용에 대한 감독 또는 지시를 받고 기기 사용 시 수반되는 위험을 이해하고 있는 경우에만 8세 이상의 어린이와 신체적, 감각적 또는 정신적 기능이 저하되거나 경험 및 지식이 부족한 사람도 본 기기를 사용할 수 있습니다. 어린이가 기기를 갖고 놀지 않도록 주의하십시오. 청소와 사용자 유지 보수 작업은 감독 없이 어린이가 하면 안 됩니다.
- 유럽 이외 지역의 사용자를 위한 지침: 이 기기를 안전하게 사용할 수 있도록 도와줄 감시자나 교육자가 없다면 체력이 약하거나 주의력이 없거나 지식과 경험이 없는 분(어린이 포함)은 절대로 사용하지 마십시오. 어린이가 본 기기를 가지고 놀지 못하도록 반드시 감독해야 합니다.

사양

이 선풍기는 3단계 속도 제어, 팬 헤드 회전 및 자동 꺼짐 타이머 기능이 있습니다. 마끼다 배터리 카트리지가나 AC 어댑터로 전원 공급을 할 수 있습니다.

모델:	CF002G		
정격 전압	최대 D.C. 36V~40V		
AC 어댑터	입력	100~240V, 50 / 60Hz, 1.2A 최대	
	출력	12V, 3.5A	
치수(L x W x H)	261 x 439 x 602mm		
중량(배터리 카트리지가 포함하지 않음)	3.8kg		

- 지속적인 연구, 개발로 인해 여기에 기재된 사양은 예고 없이 변경될 수 있습니다.
- 사양은 국가별로 상이할 수 있습니다.

사용 가능한 배터리 카트리지와 충전기

배터리 카트리지가	BL4020 / BL4025 / BL4040 / BL4050F
충전기	DC40RA / DC40RB / DC40RC

- 위에 기재된 일부 배터리 카트리지와 충전기는 거주 지역에 따라 이용할 수 없는 경우가 있습니다.

⚠경고: 배터리 카트리지와 충전기는 위에 기재된 것만 사용하셔야 합니다. 다른 배터리 및 충전기를 사용하면 대인 상해 및/또는 화재의 위험이 야기될 수 있습니다.

배터리 작동 시간

다음 표는 마끼다의 배터리 카트리지의 일부를 나타낸 것입니다. 완전 충전된 배터리의 예상 가동 시간입니다.

배터리 카트리지가	풍속		
	강	중	약
BL4025	200분	400분	640분
BL4040	320분	640분	1020분

기호

다음은 본 공구에 사용된 기호를 나타냅니다. 사용하시기 전에 그 의미를 숙지하여 주십시오.



취급 설명서를 참조하여 주십시오.



EU 국가만 해당
장비에는 위험한 부품이 존재하기 때문에 전기 및 전자 장비, 축전지, 배터리 폐기물은 환경과 인체 건강에 부정적인 영향을 미칠 수 있습니다.
전기 및 전자 가전제품 또는 배터리는 가정용 쓰레기와 함께 폐기하지 마십시오!
전기 및 전자 장비 폐기물, 축전지 및 배터리와 축전지 및 배터리 폐기물에 대한 유럽 지침과 이에 따른 국내법에 따라, 전기 장비, 배터리, 축전지 폐기물은 따로 수거하여 환경 보호 규정에 따라 운영되는 별도의 자치체 폐기물 수거 장소로 전달해야 합니다.
장비에 있는 X자 표시된 바퀴 달린 쓰레기통 기호가 이를 나타냅니다.



EU 국가만 해당
본 제품의 올바른 처분 방법이 표시는 본 제품을 EU 전역의 다른 가정용 쓰레기와 함께 처리해서는 안 됨을 나타냅니다. 통제되지 않은 폐기물 처리로 인하여 환경이나 인체에 해를 미칠 수 있는 위험을 예방하려면, 책임감을 가지고 재활용하여 지속 가능한 물질 자원의 재사용을 권장합니다. 사용한 디바이스를 반환하려면 반쯤 및 수거 시스템을 사용하거나 제품을 구입한 소매점에 문의하십시오. 친환경적인 재활용을 위해 이 제품을 사용할 수 있습니다.
장비에는 위험한 부품이 존재하기 때문에 사용된 전기 및 전자 장비는 환경과 인체 건강에 부정적인 영향을 미칠 수 있습니다.

용도

본 기기는 공기 흐름을 발생시키기 위해 제조되었습니다.

안전 경고

심각한 부상을 방지하기 위해 사용하기 전에 모든 경고와 사용 설명서를 읽고 숙지하여 주십시오.
이 설명서는 안전 경고 및 주의사항, 조립, 조작, 점검, 유지 보수 절차 등에 필요합니다. 필요한 경우를 위해서 이 설명서를 안전하고 건조한 장소에 보관하십시오.

중요한 안전 규칙

가전제품을 사용할 경우 다음을 포함한 항상 기본 주의사항을 준수해야 합니다.

본 기기를 사용하기 전에 모든 지침을 읽으십시오.

경고

화재, 감전 또는 부상의 위험을 줄이려면 다음 지침을 따르십시오.

1. 비를 맞지 않도록 하십시오. 실내에 보관하십시오.
2. 장난감으로 사용하지 못하도록 하십시오. 어린이가 사용하거나 어린이 근처에서 사용할 경우 특별한 주의가 필요합니다.

3. 본 설명서에 명시된 대로만 사용하십시오. 제조업체에서 권장한 부속품만 사용하십시오.
4. 손상된 배터리를 사용하지 마십시오. 기기가 정상적으로 작동하지 않거나, 기기가 손상되었거나, 기기를 떨어뜨렸거나, 실외에 보관했거나 물에 빠뜨린 경우 저희 서비스 센터로 보내십시오.
5. 젖은 손으로 기기를 다루지 마십시오.
6. 개구부에 이물질들을 넣지 마십시오.
7. 머리카락, 활거운 옷, 손가락, 신체의 모든 부분이 개구부와 가동 부품에 닿지 않도록 주의하십시오.
8. 배터리를 제거하기 전에 모든 컨트롤을 끄십시오.
9. 제조업체에서 제공한 AC 어댑터 및 충전기만 사용하십시오. 본 기기를 위한 부속품을 다른 제품에 사용하면 위험할 수 있습니다.
10. 실외에서 배터리를 충전하지 마십시오.
11. 불이나 고온에 노출시키지 마십시오.
12. 불, 숯불 또는, 가연성 액체나 가스 또는 먼지와 같이 폭발성 물질이 있는 환경 가까이에서 공구를 사용하지 마십시오. 기기에서 불꽃이 튀어서 입자나 가스가 정화될 수 있습니다.
13. 욕실 안과 같은 습한 곳에서 기기를 절대 사용하지 마십시오.
14. 이 기기는 실내에서만 사용하여 주십시오. 기기를 절대 실외에서 사용하지 마십시오.
15. 본 기기는 가정용으로 제조되었습니다.
16. 사용하기 전에 본 취급 설명서와 충전기의 취급 설명서를 반드시 읽어 주십시오.
17. 조금이라도 비정상적인 상태가 감지되면 즉시 작동을 멈추십시오.
18. 기기를 떨어뜨렸거나 부딪힌 경우, 작동하기 전에 금이 가거나 손상된 곳이 없는지 점검하여 주십시오.
19. 스토브나 다른 발열 기구 가까이에서 기기를 사용하지 마십시오.
20. 깨지거나, 휘어지거나, 갈라지거나 손상된 부품이 있는 경우에는 사용하지 마십시오. 어떤 식으로든 손상되었거나 비정상적으로 작동하는 모든 기기는 즉시 작업에서 제외해야 합니다. 각 작업 전에 점검하십시오.
21. 기기에 전원이 공급된 상태로 자리를 비우지 마십시오.
22. AC 어댑터를 함부로 다루지 마십시오. 기기를 운반할 때나 콘센트에서 플러그를 뽑을 때 어댑터 코드를 사용하지 마십시오. 열, 오일, 날카로운 모서리, 가동 부분으로부터 AC 어댑터를 멀리하여 주십시오. 손상된 어댑터는 즉시 교체하십시오. 어댑터가 손상되면 감전의 위험이 증가합니다.

배터리 공구의 사용 및 관리

1. 제조자가 지정한 충전기로만 충전하여 주십시오. 한 가지 형태의 배터리 팩에 적합한 충전기는 다른 배터리 팩과 함께 사용하면 위험을 야기할 수 있습니다.
2. 지정된 배터리 팩으로만 전동공구를 사용하여 주십시오. 다른 배터리 팩을 사용하면 대인 상해 및 화재의 위험이 야기될 수 있습니다.
3. 배터리 팩을 사용하지 않을 때는 양 전극이 통하도록 하는 종이 클립, 동전, 열쇠, 못, 나사 및 기타 소형 금속 물질을 주변에 두지 마십시오. 배터리 전극을 단락시켜 화상이나 화재가 일어날 수 있습니다.

4. 험한 환경에서 사용할 경우 배터리에서 배터리 액이 누출될 수 있으므로 몸에 닿지 않도록 주의하십시오. 실수로 접촉한 경우에는 물로 씻어 주십시오. 액체가 눈에 들어간 경우에는 의사를 찾아가십시오. 배터리에서 흘러나온 액체는 영증이나 화상을 일으킬 수 있습니다.
5. 손상되거나 개조된 배터리 팩 혹은 공구를 사용하지 마십시오. 손상되거나 개조된 배터리는 예기치 못한 현상으로 화재, 폭발 또는 부상으로 이어질 수 있습니다.
6. 배터리 팩이나 공구를 볼 또는 너무 높은 온도에 노출시키지 마십시오. 불이나 130°C 이상의 높은 온도에 노출시키면 폭발의 원인이 될 수 있습니다.
7. 충전에 관한 모든 지시를 따르고, 설명서에 지정된 온도 범위 밖에서 배터리 팩 혹은 공구를 충전하지 마십시오. 지정된 온도 범위 밖 또는 부적절한 충전은 배터리에 손상을 주고 화재의 위험을 높일 수 있습니다.

충전 선풍기의 사용 및 관리

1. 용도에 맞는 충전 선풍기를 사용하여 주십시오. 용도에 맞지 않는 목적으로 선풍기를 사용하지 마십시오.
2. 이 기기는 본 취급 설명서의 '사양' 부분에서 지정한 마크다 리튬이온 배터리 카트리지 또는 AC 어댑터로 작동할 수 있습니다. 다른 배터리를 사용하면 화재의 위험이 야기될 수 있습니다. 지정된 충전기로만 배터리를 충전하십시오. 한 가지 형태의 배터리에 적합한 충전기는 다른 배터리와 함께 사용하면 화재의 위험이 야기될 수 있습니다.
3. 사용하지 않는 기기는 어린이 또는 훈련을 받지 않은 사람의 손이 닿지 않는 곳에 보관하십시오.
4. 기기를 보관, 점검 또는 유지 보수, 또는 청소 작업을 하기 전에 배터리 카트리지 및 AC 어댑터를 전원에서 분리하십시오. 이러한 안전 조치는 기기가 예기치 않게 작동하는 위험을 줄여 줍니다.
5. 배터리 카트리지를 사용하지 않을 때는 다른 금속 물질과 가까이 두지 마십시오. 배터리 전극을 단락시켜 스파크나 화상 또는 화재가 일어날 수 있습니다.
6. 점검, 유지 보수, 청소 작업 및 보관을 실시하기 전에는 유닛의 플러그를 뽑고 식혀 주십시오.
7. 기기에 익숙해졌다고 해서 부주의하게 다루면 안 됩니다. 잠시 부주의한 것만으로 심각한 부상으로 이어질 수 있다는 것을 잊지 마십시오.
8. 항상 평평하고 안정적인 표면에 기기를 놓으십시오. 기기가 넘어지면 대인 상해 또는 기기 손상의 원인이 될 수 있습니다.
9. 이 기기의 제조업체에서 권장하지 않는 모든 배터리 및 부품은 사용하지 마십시오. 권장하지 않는 배터리 및 부품은 사용하게 되면 심각한 대인 상해를 야기할 수 있습니다.
10. 머리카락 혹은 스카프 같은 험거운 옷은 선풍기에 가까이하지 마십시오. 선풍기에 걸쳐 대인 상해가 발생할 수 있습니다.
11. 기기를 들어 올리거나 운반하기 전에 스위치가 꺼져 있는지 확인하십시오. 기기의 스위치에 손가락을 올린 상태로 이동하면 사고가 날 수 있습니다.
12. 사용 및 관리에 관한 취급에서 설명한 경우를 제외하고 기구나 배터리 카트리지를 개조하거나 수리하지 마십시오.

서비스

1. 기기 서비스는 자격을 갖춘 수리 담당자만 수행할 수 있습니다. 자격을 갖추지 못한 사람이 서비스나 유지 보수를 하면 상해의 위험이 있습니다.
2. 기기 서비스 시에는 동일한 교체 부품만 사용하여 주십시오. 비순정 부품을 사용하거나 유지 보수 지시를 따르지 않으면 감전 또는 부상의 위험이 발생할 수 있습니다.
3. 기기가 심하게 손상된 경우라도 소극하지 마십시오. 배터리가 폭발할 수 있습니다. 기기는 지역 규정에 따라 처리하십시오.

배터리 카트리지에 대한 중요한 안전 규칙

1. 배터리 카트리지를 사용하기 전에 (1) 배터리 충전기 (2) 배터리 (3) 배터리를 사용하는 제품에 관한 모든 지시사항 및 주의 표시를 숙지하여 주십시오.
2. 배터리 카트리지를 분해하거나 개조하지 마십시오. 화재, 과열, 폭발을 유발할 수 있습니다.
3. 작동 시간이 지나치게 짧아진 경우에는 작동을 즉시 멈춰 주십시오. 과열이나 화상 혹은 폭발할 위험이 있습니다.
4. 전해질이 눈에 들어간 경우에는 깨끗한 물로 씻어낸 다음 즉시 치료를 받으십시오. 시력을 잃을 수 있습니다.
5. 배터리 카트리지를 단락시키지 마십시오:
 - (1) 전도성 물질을 단자에 대지 마십시오.
 - (2) 못, 동전 등과 같은 금속 물질이 들어 있는 용기에 배터리 카트리지를 보관하지 마십시오.
 - (3) 배터리 카트리지를 물이나 비에 노출시키지 마십시오.

배터리가 단락되어 과전류, 과열, 화상 및 고장이 일어날 수 있습니다.

6. 온도가 50°C 이상 되는 곳에서 공구와 배터리 카트리지를 보관하거나 사용하지 마십시오.
7. 심하게 손상되었거나 완전히 닳은 경우라도 배터리 카트리지를 태우지 마십시오. 배터리 카트리지가 폭발할 수 있습니다.
8. 배터리 카트리지를 못으로 박거나 자르거나 부수거나 던지거나 떨어뜨리지 말고 딱딱한 물건으로 배터리 카트리지를 두드리지 마십시오. 화재, 과열, 폭발을 유발할 수 있습니다.
9. 손상된 배터리를 사용하지 마십시오.
10. 포함된 리튬이온 배터리는 위험물 규정 요건을 따릅니다. 제3자, 포워딩 업체와 같은 상업적 운송을 이용할 때는 포장 및 라벨에 대한 특별 요건이 반드시 준수되어야 합니다.
 - 품목의 운송 준비에는 위험 물질 전문가에게 상담하십시오. 또한 좀 더 세부적인 것은 각 국가 규정에 따르십시오.
 - 테이프를 붙이거나 개방 접점을 가린 상태로 포장을 해서 운송용 상자 안에서 배터리가 움직이지 못하도록 하십시오.
11. 배터리 카트리지를 폐기할 때는 공구에서 배터리를 꺼내 안전한 장소에 폐기하십시오. 배터리 처리에 관해서는 지역 규정에 따르십시오.
12. 배터리는 마끼다가 지정한 제품에만 사용하십시오. 배터리를 호환성이 없는 제품에 설치하면 화재, 과열, 폭발 또는 전해질 누출을 유발할 수 있습니다.
13. 공구를 장시간 사용하지 않으면 공구에서 배터리를 제거해야 합니다.

14. 사용 중 및 사용 후에는 배터리 카트리지에 열이 가해져 화상이나 저온 화상을 유발할 수 있습니다. 뜨거운 배터리 카트리지를 다룰 때는 취급에 주의하십시오.
15. 사용 직후에는 화상을 입을 정도로 뜨거워질 수 있으므로 공구의 단자를 만지지 마십시오.
16. 배터리 카트리지의 단자, 구멍, 흠에 부스러기, 먼지 또는 흠이 들어가지 않도록 주의하여 주십시오. 공구 또는 배터리 카트리지의 성능이 저하되거나 고장 날 수 있습니다.
17. 공구가 고전압 전력선 근처에서의 사용을 지원하지 않는다면 배터리 카트리지를 고전압 전력선 근처에서 사용하지 마십시오. 공구 또는 배터리 카트리지가 오작동하거나 고장 날 수 있습니다.
18. 어린이의 손이 닿지 않는 곳에 배터리를 보관하십시오.

본 취급 설명서를 잘 보관하여 주십시오.

⚠주의: 정품 마끼다 배터리만 사용하십시오. 순정품이 아닌 마끼다 배터리 또는 개조된 배터리를 사용하면 배터리 폭발이 발생하여 화재, 개인 부상 및 손상의 원인이 될 수 있습니다. 또한, 마끼다 공구 및 충전기에 대한 미끼다 보증이 무효가 됩니다.

배터리 수명을 최대한으로 유지하는 방법

1. 완전히 방전되기 전에 배터리 카트리지를 충전합니다. 공구의 힘이 약해진 것을 감지했을 때 공구의 작동을 멈추고 배터리 카트리지를 충전합니다.
2. 완전히 충전된 배터리 카트리지를 재충전하지 마십시오. 과충전은 배터리의 수명을 단축시킵니다.
3. 실내 온도 **10°C~40°C**에서 배터리 카트리지를 충전합니다. 충전하기 전에 뜨거운 배터리 카트리지를 식힙니다.
4. 배터리 카트리지를 사용하지 않을 때는 공구 또는 충전기에서 배터리를 제거하십시오.
5. 6개월 이상 장기간 배터리 카트리지를 사용하지 않을 때는 충전한 다음 보관해 주십시오.

각부 명칭

▶ 그림1

1	전원 스위치 버튼	2	풍속 변경 버튼	3	자동 꺼짐 타이머 버튼
4	회전 버튼	5	풍속 표시기	6	자동 꺼짐 타이머 표시기
7	배터리 슬롯	8	12V DC 소켓	9	AC 어댑터

기능 설명

⚠주의: 기기의 기능을 조정하거나 점검하기 전에는 항상 기기의 스위치가 꺼져 있고 배터리 카트리지가 분리되어 있는지 확인해 주십시오.

⚠주의: 항상 배터리 카트리지를 완전히 장착합니다. 그렇지 않으면 기기에서 분리되어 작업자나 주변 사람에게 상해를 입힐 수 있습니다.

⚠주의: 배터리 카트리지를 힘으로 장착하지 마십시오. 카트리지가 쉽게 들어가지 않으면 정확하게 삽입한 것이 아닙니다.

배터리 카트리지 설치 및 제거

⚠주의: 배터리 카트리지를 설치하거나 제거하기 전에는 반드시 기기의 스위치를 끕니다.

⚠주의: 배터리 카트리지를 장착하거나 제거할 때 기기와 배터리 카트리지를 단단히 잡아 주십시오. 기기와 배터리 카트리지를 단단히 잡지 않으면 손에서 미끄러져 기기와 배터리 카트리지에 손상이 생기고 대인 상해도 일어날 수 있습니다.

배터리 카트리지를 분리하려면 카트리지 앞면에 있는 버튼을 밀면서 기기에서 빼냅니다.

배터리 카트리지를 장착하려면 구멍 흠에 배터리의 끝부분을 맞추고 그대로 밀어 넣습니다. 딸각 소리가 나면서 제자리에 들어가 잠길 때까지 꼭 밀어 넣습니다.

▶ 그림2: 1. 버튼 2. 배터리 카트리지

남아 있는 배터리 용량 표시

배터리 카트리지에 있는 확인 버튼을 눌러 배터리의 남은 용량을 표시합니다. 표시기 램프가 몇 초간 켜집니다.

▶ **그림3: 1.** 표시기 램프 **2.** 확인 버튼

표시기 램프			남은 용량
켜짐	꺼짐	깜빡임	
■	□	▣	75% - 100%
■ ■ ■ ■			
■ ■ ■	□		50% - 75%
■ ■	□ □		25% - 50%
■	□ □ □		0% - 25%
▣	□ □ □ □		배터리를 충전합니다
■ ■ □ □	□ □	↑ ↓	배터리가 고장일 수 있습니다.
□ □ ■ ■			

참고: 사용 상태와 주변의 온도에 따라 실제 용량보다 조금 다르게 표시될 수 있습니다.

참고: 배터리 보호 시스템이 작동하면 첫 번째(맨 왼쪽) 표시기 램프가 깜빡입니다.

기기/배터리 보호 시스템

본 기기에는 보호 시스템이 장착되어 있습니다. 이 시스템은 자동으로 모터의 전원을 차단해 기기와 배터리 수명을 연장시킵니다. 기기나 배터리가 다음 중 한 가지 상황이 되면 기기가 자동으로 작동을 멈춥니다.

- 과부하 방지: 기기나 배터리가 비정상적으로 높은 전류가 필요한 방법으로 작동하면 기기는 아무런 표시 없이 자동으로 멈춥니다. 이런 경우에는 기기를 끄고 기기에 과부하를 일으키는 용도로의 사용을 중지하십시오. 그런 다음 기기를 켜고 다시 시작합니다.
- 과열 방지: 기기나 배터리가 과열된 경우 기기는 자동으로 멈춥니다. 기기를 다시 켜기 전에 기기가 식을 때까지 기다리십시오.
- 과방전 방지: 배터리 용량이 부족해지면 기기가 자동으로 멈춥니다. 스위치를 켜도 기기가 작동하지 않으면 기기에서 배터리 카트리지를 분리하여 충전하십시오.

작동

▲주의: 팬은 폴리프로필렌 수지로 제작되었습니다. 수지를 열화시키는 일부 유제 또는 화학 물질은 팬을 파손시켜 부상을 입을 수 있습니다.

선풍기 시동/정지

전원 스위치 버튼을 눌러 선풍기를 켭니다. 전원 스위치 버튼을 다시 눌러 선풍기를 끕니다.

풍속 변경

선풍기가 작동하고 있을 때 풍속 변경 버튼을 누릅니다. 버튼을 누를 때마다 풍속이 빨라집니다. 최고속으로 작동하고 있을 때는 풍속이 최저속으로 되돌아옵니다. 충전 선풍기는 마지막에 사용한 설정과 같은 속도로 시작됩니다.

▶ **그림4: 1.** 풍속 변경 버튼

팬 헤드 각도 조정

팬 헤드의 각도는 수동으로 조정할 수 있습니다. 팬 헤드의 조정 범위는 다음 그림과 같습니다.

▶ **그림5**

유의사항: 조정 범위 이상으로 팬 헤드를 돌리지 마십시오.

팬 헤드 회전

▲주의: 팬 헤드를 회전할 때는 팬 헤드의 가동 범위에 있는 장애물을 치우십시오. 충전 선풍기가 회전으로 인해 밀리거나 쓰러질 수 있습니다.

▲주의: 팬 헤드를 잡아서 회전을 중지하지 마십시오. 항상 회전 버튼을 눌러서 멈추십시오.

회전 버튼을 눌러 팬 헤드를 회전시키십시오. 그 버튼을 다시 눌러 회전을 멈추십시오. 회전 버튼을 누르면 팬 헤드는 현재 위치에서 회전하기 시작합니다. 팬 헤드는 90도 범위 내에서 회전합니다.

▶ **그림6: 1.** 회전 버튼

참고: 팬 헤드의 위치에 따라, 회전 메커니즘으로 인해 팬 헤드는 회전 버튼이 눌린 뒤 즉시 회전을 시작하지 않습니다.

자동 꺼짐 타이머

선풍기가 작동하고 있을 때 자동 꺼짐 타이머를 누릅니다. 자동 꺼짐 타이머를 작동하는 시간은 버튼을 한 번 누를 때마다 바뀝니다(1시간/2시간/4시간/꺼짐). 각 자동 꺼짐 타이머 표시기 아래의 숫자는 선풍기를 끄기까지 남은 시간을 표시합니다. 자동 꺼짐 타이머 표시기는 시간이 되면 꺼집니다.

▶ **그림7: 1.** 자동 꺼짐 타이머 버튼

참고: 배터리 카트리지가 타입과 남은 용량에 따라 자동 꺼짐 타이머는 설정한 시간보다 더 일찍 꺼질 수 있습니다.

AC 어댑터 사용

⚠경고: 코드나 플러그가 손상되면 기기를 사용하지 마십시오.

⚠경고: 젖은 손 또는 기름이 묻은 손으로 플러그를 다루지 마십시오.

⚠경고: 주전원에서 전원이 공급될 때는 기기에서 AC 어댑터를 분리한 채로 두지 마십시오. 전기가 흐르는 플러그를 어린이가 입에 넣어 부상을 입을 수 있습니다.

⚠경고: 전기가 통하는 플러그나 코드를 입 안에 넣지 마십시오. 감전될 수 있습니다.

AC 어댑터의 12V DC 플러그를 12V DC 소켓에 삽입하고 나서 AC 핀을 주전원에 꽂습니다. 주전원의 전압 정격이 어댑터의 전압 정격과 맞는지 확인하십시오.

▶ 그림 8

참고: AC 어댑터가 연결된 후 기기가 가동될 때까지 3~5초가 걸립니다.

참고: 전원 공급에 어댑터를 사용할 때 빼격거릴 수 있습니다. 정상적인 사용에는 영향을 끼치지 않습니다.

참고: DC 전원 모드로 작동하는 경우에도 전원 플러그를 연결하면 기기가 자동으로 AC 전원 모드로 전환됩니다.

참고: 충전 선풍기가 전원 모드를 DC에서 AC로 혹은 그 반대로 전환하는 경우 풍속이 일시적으로 바뀔 수 있습니다.

참고: AC 어댑터는 기기에 삽입된 배터리는 충전하지 않습니다.

유지 보수

⚠주의: 점검 또는 유지 보수 작업을 하기 전에 항상 기기의 스위치가 꺼져 있고, 전원이 분리되어 있고, 배터리 카트리지가 분리되었는지 확인하여 주십시오.

유의 사항: 휘발유, 벤젠, 시너, 알코올 등은 사용하지 마십시오. 변색 또는 변형되거나 금이 갈 수 있습니다.

제품의 안정과 신뢰성을 유지하기 위해, 수리 및 기타 유지 보수 또는 조정 시에는 항상 마끼다 순정 부품을 사용하는 마끼다 공인 서비스 센터나 공장 서비스 센터를 이용하여 주십시오.

일반 유지 보수

기기를 식힌 후 깨끗한 천으로 이물, 먼지, 기름, 윤활제 등을 제거하십시오.

⚠경고: 공인된 서비스 센터에서 모든 부품을 교체해야 합니다.

팬 청소

⚠주의: 보호 커버를 분리하기 전에 주 전원 공급 장치에서 선풍기의 스위치를 끈 것을 확인합니다.

팬 커버의 안쪽을 청소할 때는 다음과 같은 방식으로 팬 커버를 분리합니다.

1. 팬 커버 뒤쪽에 위치한 나사를 풉니다.

▶ **그림 9:** 1. 나사

2. 팬 커버를 시계 반대 방향으로 돌리고 마크가 그림과 같이 일치할 때 팬 커버를 분리합니다.

▶ **그림 10:** 1. 마크

▶ **그림 11**

비눗물에 적신 천을 사용해 팬과 팬 커버를 닦아내십시오. 팬 커버를 부착하려면 분리 절차를 반대로 하면 됩니다. 팬 커버를 부착할 때는 팬 커버가 딸각하면서 잠겼는지 확인하십시오.

⚠주의: 사용하기 전에 팬 커버가 부착되어 있는지 확인하십시오.

⚠주의: 팬 커버를 단단하게 부착하십시오. 팬 커버가 중간쯤 또는 올바르게 부착된 경우, 팬 커버가 빠져서 대인 상해 또는 기기 손상이 발생할 수 있습니다.

유의 사항: 팬 커버에 너무 큰 부하를 주지 않도록 하십시오. 파손될 수 있습니다.

보관

화재나 화상을 방지하려면 기기를 보관하기 전에 완전히 식히십시오. 배터리의 수명이 단축될 수 있으니 방전된 배터리를 오랜 기간 보관하지 마십시오.

별매품

⚠주의: 이는 본 취급 설명서에 명시된 마끼다 기기를 사용할 때 권장되는 부속품입니다. 다른 부속품을 사용하면 대인 상해를 야기할 위험이 있습니다. 부속품은 지정된 용도에만 사용하여 주십시오.

본 부속품에 관한 보다 상세한 도움이 필요하신 경우에는 각 지역 마끼다 서비스 센터에 문의하여 주십시오.

- 마끼다 정품 배터리와 충전기

참고: 목록의 몇 가지 품목은 표준 부속품으로 공구 포장에 포함되어 있습니다. 포함된 품목은 국가별로 상이할 수 있습니다.

CẢNH BÁO

- Đối với người dùng khu vực châu Âu: Trẻ em trong độ tuổi từ 8 tuổi trở lên và người suy giảm thể chất, giác quan hoặc khả năng trí óc hoặc thiếu kinh nghiệm và kiến thức có thể sử dụng thiết bị này nếu họ được giám sát hoặc hướng dẫn sử dụng thiết bị an toàn và hiểu được những tác hại nguy hiểm khi sử dụng. Trẻ em không được nghịch thiết bị. Không nên để trẻ em thực hiện vệ sinh và bảo dưỡng mà không có sự giám sát.
- Dành cho người dùng ở các khu vực khác ngoài Châu Âu: Thiết bị này không dành cho những người (bao gồm cả trẻ em) suy giảm thể chất, giác quan hoặc khả năng trí óc, hoặc thiếu kinh nghiệm và kiến thức sử dụng, trừ khi họ được giám sát hoặc hướng dẫn sử dụng thiết bị bởi người có trách nhiệm cho sự an toàn của họ. Cần giám sát trẻ em để đảm bảo rằng chúng sẽ không nghịch thiết bị.

THÔNG SỐ KỸ THUẬT

Loại quạt này được trang bị chức năng điều khiển 3 tốc độ, xoay đầu quạt và hẹn giờ tắt tự động. Nguồn cấp điện có thể đi với hộp pin Makita hoặc bộ tiếp hợp AC.

Kiểu máy:	CF002G	
Điện áp định mức	D.C. 36 V - tối đa 40 V	
Bộ tiếp hợp AC	Đầu vào	100 – 240 V, 50 / 60 Hz, tối đa 1,2 A
	Đầu ra	12 V, 3,5 A
Kích thước (D x R x C)	261 x 439 x 602 mm	
Khối lượng tịnh (không có hộp pin)	3,8 kg	

- Do chương trình nghiên cứu và phát triển liên tục của chúng tôi nên các thông số kỹ thuật trong đây có thể thay đổi mà không cần thông báo trước.
- Các thông số kỹ thuật có thể thay đổi tùy theo từng quốc gia.

Hộp pin và sạc pin có thể áp dụng

Hộp pin	BL4020 / BL4025 / BL4040 / BL4050F
Bộ sạc	DC40RA / DC40RB / DC40RC

- Một số hộp pin và sạc pin được nêu trong danh sách ở trên có thể không khả dụng tùy thuộc vào khu vực cư trú của bạn.

⚠ CẢNH BÁO: Chỉ sử dụng hộp pin và sạc pin được nêu trong danh sách ở trên. Việc sử dụng bất cứ hộp pin và sạc pin nào khác có thể gây ra thương tích và/hoặc hỏa hoạn.

Thời lượng pin

Bảng sau đây đề cập đến một vài hộp pin từ Makita. Thời gian hoạt động ước tính khi pin sạc đầy được hiển thị:

Hộp pin	Tốc độ gió		
	Cao	Vừa phải	Thấp
BL4025	200 min	400 min	640 min
BL4040	320 min	640 min	1020 min

Ký hiệu

Phần dưới đây cho biết các ký hiệu có thể được dùng cho thiết bị. Đảm bảo rằng bạn hiểu rõ ý nghĩa của các ký hiệu này trước khi sử dụng.



Đọc tài liệu hướng dẫn.



Chỉ dành cho các quốc gia EU
Do có các thành phần nguy hiểm bên trong thiết bị điện và điện tử, ắc quy và pin thải bỏ nên có thể có tác động không tốt đến môi trường và sức khỏe con người.
Không vứt bỏ các thiết bị điện và điện tử hoặc pin với rác thải sinh hoạt!
Theo Chỉ thị của Châu Âu về thiết bị điện và điện tử thải bỏ và về pin và ắc quy và pin và ắc quy thải bỏ, cũng như sự thích ứng của chúng với luật pháp quốc gia, các thiết bị điện, pin và ắc quy thải phải được cất giữ riêng biệt và chuyển đến một điểm thu gom rác thải đồ thị riêng, hoạt động theo các quy định về bảo vệ môi trường. Điều này được biểu thị bằng biểu tượng thùng rác có bánh xe gạch chéo được đặt trên thiết bị.



Chỉ dành cho các quốc gia EU
Xử lý thải bỏ đúng cách cho sản phẩm này
Dấu này biểu thị không nên xử lý sản phẩm này cùng với các chất thải sinh hoạt khác cho các quốc gia EU. Để ngăn chặn tác hại có thể xảy ra cho môi trường hoặc sức khỏe con người từ việc xử lý chất thải không kiểm soát, hãy có trách nhiệm tái chế sản phẩm để thúc đẩy việc tái sử dụng các nguồn nguyên liệu lâu dài. Để tái lại thiết bị đã sử dụng của bạn, vui lòng sử dụng hệ thống thu và hoàn trả hoặc liên hệ với nhà bán lẻ nơi mua sản phẩm. Họ có thể lấy sản phẩm này để tái chế an toàn cho môi trường.
Do có các thành phần nguy hiểm bên trong thiết bị, thiết bị điện và điện tử đã qua sử dụng nên có thể có tác động không tốt đến môi trường và sức khỏe con người.

Mục đích sử dụng

Thiết bị này chỉ được dùng để tạo ra luồng gió.

CẢNH BÁO AN TOÀN

Để ngăn ngừa thương tích nghiêm trọng, vui lòng đọc và hiểu rõ các cảnh báo và hướng dẫn trước khi sử dụng.

Bạn sẽ cần hướng dẫn này cho các quy trình cảnh báo an toàn và biện pháp phòng ngừa, lắp đặt, vận hành, kiểm tra, bảo dưỡng. Hãy giữ tài liệu hướng dẫn này ở nơi an toàn và khô ráo để tham khảo sau này.

CÁC HƯỚNG DẪN AN TOÀN QUAN TRỌNG

Khi sử dụng thiết bị điện tử, luôn thực hiện các biện pháp phòng ngừa, bao gồm các điều sau:

ĐỌC KỸ TOÀN BỘ CÁC HƯỚNG DẪN TRƯỚC KHI SỬ DỤNG THIẾT BỊ NÀY.

CẢNH BÁO

Để giảm nguy cơ hỏa hoạn, điện giật hoặc thương tích:

1. Không được tiếp xúc với mưa. Cất giữ trong nhà.
2. Không được phép sử dụng thiết bị như là đồ chơi. Cần chú ý kỹ khi sử dụng bởi hoặc gần trẻ em.
3. Chỉ sử dụng theo mô tả trong sách hướng dẫn này. Chỉ sử dụng các phụ tùng được khuyến nghị của nhà sản xuất.
4. Không sử dụng khi pin đã hỏng. Nếu thiết bị hoạt động không đúng cách, bị rơi, bị hư hỏng, để ngoài trời, hoặc bị rơi vào nước, hãy đưa về trung tâm bảo hành của chúng tôi.
5. Không sử dụng thiết bị khi tay ướt.
6. Không đưa bất cứ vật gì vào trong miệng máy.
7. Giữ cho tóc, quần áo rộng, ngón tay, và tất cả các bộ phận của cơ thể tránh xa phần miệng máy và các bộ phận chuyển động.
8. Tắt tất cả điều khiển trước khi tháo pin.
9. Chỉ sử dụng bộ tiếp hợp AC và bộ sạc do nhà sản xuất cung cấp. Các phụ kiện thích hợp với thiết bị này có thể gây nguy hiểm khi sử dụng trên thiết bị khác.
10. Không sạc pin ở ngoài trời.
11. Không được tiếp xúc với lửa hoặc nhiệt độ cao.
12. Không vận hành sản phẩm gần ngọn lửa, tàn lửa hoặc môi trường dễ cháy nổ, chẳng hạn như môi trường có sự hiện diện của các chất lỏng, khí hoặc bụi dễ cháy. Thiết bị này sẽ tạo tia lửa điện có thể làm bụi hoặc khí bốc cháy.

13. Không sử dụng thiết bị này ở những nơi ẩm ướt như trong phòng tắm.
14. Thiết bị này chỉ sử dụng trong nhà. Không sử dụng thiết bị này ngoài trời.
15. Thiết bị này chỉ dùng trong gia đình.
16. Đọc kỹ tài liệu hướng dẫn này và tài liệu hướng dẫn sạc pin trước khi sử dụng.
17. Ngừng vận hành ngay lập tức nếu bạn nhận thấy bất cứ điều gì bất thường.
18. Nếu bạn làm rơi hoặc va đập thiết bị, hãy kiểm tra cẩn thận xem máy có bị nứt hoặc bị hư hỏng hay không trước khi vận hành.
19. Không mang thiết bị lại gần bếp lò hoặc các nguồn nhiệt khác.
20. Không sử dụng thiết bị nếu các bộ phận có dấu hiệu vỡ, cong, nứt hoặc bị hư hỏng. Bất kỳ thiết bị nào có dấu hiệu hư hỏng trong bất kỳ trường hợp nào hoặc hoạt động bất thường phải ngừng sử dụng ngay lập tức. Kiểm tra trước mỗi lần vận hành.
21. Không để mặc thiết bị vận hành.
22. Không sử dụng bộ tiếp hợp AC sai mục đích. Không cầm dây điện của bộ tiếp hợp để mang vác thiết bị hoặc kéo dây khỏi ổ cắm. Giữ bộ tiếp hợp AC tránh xa nguồn nhiệt, dầu, các mép sắc, hoặc các bộ phận chuyển động. Thay thế bộ tiếp hợp bị hỏng ngay lập tức. Bộ tiếp hợp bị hỏng sẽ làm tăng nguy cơ điện giật.

Sử dụng và bảo quản dụng cụ dùng pin

1. **Chỉ sạc pin lại với bộ sạc do nhà sản xuất quy định.** Bộ sạc phù hợp với một loại bộ pin này có thể gây ra nguy cơ hỏa hoạn khi được dùng cho một bộ pin khác.
2. **Chỉ sử dụng các dụng cụ máy với các bộ pin được quy định có thể.** Việc sử dụng bất cứ bộ pin nào khác có thể gây ra thương tích và hỏa hoạn.
3. **Khi không sử dụng bộ pin, hãy giữ tránh xa các đồ vật khác bằng kim loại, chẳng hạn như kẹp giấy, tiền xu, chìa khóa, đinh, ốc vít hoặc các vật nhỏ bằng kim loại mà có thể làm nối tắt các đầu cực pin.** Các đầu cực pin bị đoản mạch có thể gây cháy hoặc hỏa hoạn.
4. **Trong điều kiện sử dụng quá mức, pin có thể bị chảy nước; hãy tránh tiếp xúc. Nếu vô tình tiếp xúc với pin bị chảy nước, hãy rửa sạch bằng nước. Nếu dung dịch từ pin tiếp xúc với mắt, cần đi khám bác sĩ ngay.** Dung dịch chảy ra từ pin có thể gây rát da hoặc bỏng.
5. **Không sử dụng bộ pin hoặc dụng cụ bị hư hỏng hoặc đã bị sửa đổi.** Pin đã bị hư hỏng hoặc đã bị sửa đổi có thể hành động theo cách không thể đoán trước dẫn đến cháy, nổ hoặc nguy cơ chấn thương.
6. **Không để bộ pin hoặc dụng cụ tiếp xúc với lửa hoặc nhiệt độ quá cao.** Tiếp xúc với lửa hoặc nhiệt độ trên 130 °C có thể gây ra cháy nổ.
7. **Làm theo tất cả các hướng dẫn sạc pin và không được sạc bộ pin hoặc dụng cụ vượt giới hạn nhiệt độ quy định trong hướng dẫn.** Sạc pin không đúng hoặc ở nhiệt độ vượt giới hạn nhiệt độ có thể gây hư hỏng cho pin và làm tăng nguy cơ cháy.

SỬ DỤNG VÀ BẢO QUẢN QUẠT HOẠT ĐỘNG BẰNG ĐIỆN VÀ PIN

1. Sử dụng đúng quạt hoạt động bằng điện và pin cho ứng dụng của bạn. Không sử dụng quạt này cho mục đích nào khác mục đích chỉ định.
2. Thiết bị này có thể hoạt động nhờ hộp pin Makita Li-Ion được chỉ định ở phần "THÔNG SỐ KỸ THUẬT" trong hướng dẫn sử dụng này hoặc bộ tiếp hợp AC. Việc sử dụng bất cứ pin nào khác có thể gây ra hỏa hoạn. Chỉ sạc pin lại với bộ sạc được chỉ định. Bộ sạc chỉ phù hợp với một loại pin có thể gây ra nguy cơ hỏa hoạn khi được dùng cho loại pin khác.
3. Cát thiết bị không sử dụng ngoài tầm với của trẻ em và những người chưa qua đào tạo khác.
4. Tháo hộp pin và bộ tiếp hợp AC ra khỏi nguồn điện trước khi cất thiết bị, thực hiện bất kỳ quy trình kiểm tra, bảo dưỡng, hoặc vệ sinh nào. Những biện pháp an toàn phòng ngừa này sẽ giảm nguy cơ vô tình khởi động thiết bị.
5. Khi không sử dụng, hãy giữ hộp pin tránh xa các đồ vật bằng kim loại khác. Các đầu cực pin bị đoản mạch có thể gây cháy hoặc hỏa hoạn.
6. Tháo phích cắm và để máy nguội trước khi thực hiện bất kỳ quy trình kiểm tra, bảo dưỡng, làm sạch nào hoặc khi cất giữ.
7. Không vì quen thuộc với thiết bị mà khiến bạn bất cẩn. Hãy nhớ rằng chỉ một phần của một giây bất cẩn là đủ để gây ra thương tích nghiêm trọng.
8. Luôn luôn đặt thiết bị trên một bề mặt phẳng và cố định. Nếu thiết bị rơi ra, nó có thể gây thương tích cá nhân, hoặc làm hỏng thiết bị.
9. Không sử dụng bất kỳ loại pin, phụ tùng hoặc phụ kiện nào không theo khuyến cáo của nhà sản xuất thiết bị này. Sử dụng pin, phụ tùng hoặc phụ kiện không được khuyến cáo có thể gây thương tích cá nhân nghiêm trọng.
10. Hãy giữ tóc hoặc quần áo rộng như khăn choàng tránh xa quạt. Những thứ này có thể mắc kẹt vào quạt và dẫn đến thương tích cá nhân.
11. Đảm bảo công tắc ở vị trí tắt trước khi gắn hoặc mang thiết bị. Việc di chuyển thiết bị khi đang đặt ngón tay trên công tắc dễ gây ra tai nạn.
12. Không sửa đổi hoặc cố sửa chữa thiết bị hay hộp pin ngoại trừ trường hợp được thể hiện trong hướng dẫn sử dụng và bảo quản.

BẢO TRÌ

1. Bảo trì thiết bị này chỉ nên được thực hiện bởi nhân viên sửa chữa đủ trình độ. Việc bảo trì hoặc bảo dưỡng thiết bị do nhân viên sửa chữa không đủ trình độ có thể gây ra nguy cơ chấn thương.
2. Khi bảo trì thiết bị này, chỉ sử dụng các bộ phận thay thế giống nhau. Sử dụng các bộ phận trái phép hoặc không theo hướng dẫn bảo dưỡng có thể gây ra nguy cơ điện giật hoặc thương tích.
3. Không đốt thiết bị này, ngay cả khi thiết bị đã hư hỏng nghiêm trọng. Pin có thể nổ khi tiếp xúc với lửa. Vứt thiết bị theo quy định của địa phương.

Hướng dẫn quan trọng về an toàn dành cho hộp pin

1. Trước khi sử dụng hộp pin, hãy đọc kỹ tất cả các hướng dẫn và dấu hiệu cảnh báo trên (1) bộ sạc pin, (2) pin và (3) sản phẩm sử dụng pin.
2. Không tháo rời hoặc làm thay đổi hộp pin. Việc này có thể dẫn đến hỏa hoạn, quá nhiệt hoặc nổ.
3. Nếu thời gian vận hành ngắn hơn quá mức, hãy ngừng vận hành ngay lập tức. Điều này có thể dẫn đến rùi rò quá nhiệt, có thể gây bỏng và thậm chí là nổ.
4. Nếu chất điện phân rơi vào mắt, hãy rửa sạch bằng nước sạch và đến cơ sở y tế ngay lập tức. Chất này có thể khiến bạn giảm thị lực.
5. Không để hộp pin ở tình trạng đoản mạch:
 - (1) Không chạm vào cực pin bằng vật liệu dẫn điện.
 - (2) Tránh cất giữ hộp pin trong hộp có các vật kim loại khác như đinh, tiền xu, v.v...
 - (3) Không được để hộp pin tiếp xúc với nước hoặc mưa.

Đoản mạch pin có thể gây ra dòng điện lớn, quá nhiệt, có thể gây bỏng và thậm chí là hỏng hóc.

6. Không cất giữ cũng như sử dụng dụng cụ và hộp pin ở nơi nhiệt độ có thể lên tới hoặc vượt quá 50 °C (122 °F).
7. Không đốt hộp pin ngay cả khi hộp pin đã bị hư hại nặng hoặc hư hỏng hoàn toàn. Hộp pin có thể nổ khi tiếp xúc với lửa.
8. Không đóng đinh, cắt, nghiền nát, ném, làm rơi hộp pin hoặc va vật cứng vào hộp pin. Làm như thế có thể dẫn đến hỏa hoạn, quá nhiệt hoặc nổ.
9. Không sử dụng pin đã hỏng.
10. Pin nén lithium-ion là đối tượng có yêu cầu bắt buộc theo Luật Hàng hoá Nguy hiểm.

Đối với vận tải thương mại, ví dụ như vận tải do bên thứ ba, đại lý giao nhận, thì yêu cầu đặc biệt về đóng gói và nhãn ghi phải được giám sát.

Để chuẩn bị cho mặt hàng cần vận chuyển, cần phải tham khảo ý kiến chuyên gia về vật liệu nguy hiểm. Nếu được, vui lòng tuân thủ các quy định quốc gia chi tiết hơn.

Buộc hoặc niêm phong các tiếp điểm mở và đóng gói pin theo cách đó để nó không thể di chuyển trong bao bì.

11. Khi vứt bỏ hộp pin, hãy tháo chúng khỏi dụng cụ và thải bỏ ở nơi an toàn. Phải tuân thủ theo các quy định của địa phương liên quan đến việc thải bỏ pin.
12. Chỉ sử dụng pin cho các sản phẩm Makita chỉ định. Lắp pin vào sản phẩm không thích hợp có thể gây ra hỏa hoạn, quá nhiệt, nổ, hoặc rò chất điện phân.
13. Nếu dụng cụ không được sử dụng trong một thời gian dài, cần phải tháo pin ra khỏi dụng cụ.
14. Trong và sau khi sử dụng, hộp pin có thể bị nóng, có thể gây bỏng hoặc bỏng ở nhiệt độ thấp. Chú ý xử lý hộp pin nóng.
15. Không chạm vào điện cực của dụng cụ ngay sau khi sử dụng vì điện cực đủ nóng để gây bỏng.
16. Không để vụn bào, bụi hoặc đất bám vào các điện cực, lỗ và rãnh của hộp pin. Việc này có thể dẫn đến hiệu suất kém hoặc hỏng hóc dụng cụ hay hộp pin.
17. Trừ khi dụng cụ hỗ trợ sử dụng gần đường dây điện cao thế, không sử dụng hộp pin gần đường dây điện cao thế. Việc này có thể dẫn trực tiếp hoặc gián tiếp hỏng dụng cụ hay hộp pin.
18. Giữ pin tránh xa trẻ em.

LƯU GIỮ CÁC HƯỚNG DẪN NÀY.

⚠ THẬN TRỌNG: Chỉ sử dụng pin Makita chính hãng. Việc sử dụng pin không chính hãng Makita, hoặc pin đã được sửa đổi, có thể dẫn đến nổ pin gây ra cháy, thương tích và thiệt hại cá nhân. Nó cũng sẽ làm mất hiệu lực bảo hành của Makita dành cho dụng cụ của Makita và bộ sạc.

Mẹo duy trì tuổi thọ tối đa cho pin

1. Sạc hộp pin trước khi pin bị xả điện hoàn toàn. Luôn dừng việc vận hành dụng cụ và sạc pin khi bạn nhận thấy công suất dụng cụ bị giảm.
2. Không được phép sạc lại một hộp pin đã được sạc đầy. Sạc quá mức sẽ làm giảm tuổi thọ của pin.
3. Sạc pin ở nhiệt độ phòng 10°C - 40°C. Để cho hộp pin nóng nguội lại dần trước khi sạc pin.
4. Khi không sử dụng hộp pin, hãy tháo hộp pin ra khỏi dụng cụ hoặc bộ sạc.
5. Sạc pin sáu tháng một lần nếu bạn không sử dụng dụng cụ trong một thời gian dài (hơn sáu tháng).

MÔ TẢ CÁC BỘ PHẬN

► Hình 1

1	Nút công tắc nguồn	2	Nút thay đổi tốc độ gió	3	Nút hẹn giờ tắt tự động
4	Nút xoay quạt	5	Đèn chỉ báo tốc độ gió	6	Đèn chỉ báo hẹn giờ tắt tự động
7	Rãnh lắp pin	8	12 V DC	9	Bộ tiếp hợp AC

MÔ TẢ CHỨC NĂNG

⚠ THẬN TRỌNG: Luôn đảm bảo rằng đã tắt thiết bị và tháo hộp pin ra trước khi thực hiện việc điều chỉnh hoặc kiểm tra chức năng trên dụng cụ.

Lắp hoặc tháo hộp pin

⚠ THẬN TRỌNG: Luôn tắt thiết bị trước khi lắp hoặc tháo hộp pin.

⚠ THẬN TRỌNG: Giữ thiết bị và hộp pin thật chắc khi lắp hoặc tháo hộp pin. Không giữ thiết bị và hộp pin thật chắc có thể làm trượt chúng khỏi tay và làm hư hỏng thiết bị và hộp pin hoặc gây thương tích cá nhân.

Để tháo hộp pin, vừa trượt pin ra khỏi thiết bị vừa trượt nút ở phía trước hộp pin.

Để lắp hộp pin, đặt thẳng hàng phần chốt nhỏ của hộp pin vào phần rãnh nằm trên vỏ và trượt hộp pin vào vị trí. Đưa hộp pin vào cho đến khi chốt khóa vào đúng vị trí với một tiếng “cách” nhẹ.

► **Hình2:** 1. Nút 2. Hộp pin


















⚠ THẬN TRỌNG: Luôn lắp đặt hộp pin hết mức. Nếu không, hộp pin có thể vô ý rơi ra khỏi thiết bị, gây thương tích cho bạn hoặc người khác ở xung quanh.

⚠ THẬN TRỌNG: Không được dùng sức lắp hộp pin. Nếu hộp pin không nhẹ nhàng trượt vào vị trí, có nghĩa là pin vẫn chưa được lắp đúng.

Chỉ báo dung lượng pin còn lại

Ấn nút check (kiểm tra) trên hộp pin để chỉ báo dung lượng pin còn lại. Các đèn chỉ báo bật sáng lên trong vài giây.

► **Hình3:** 1. Các đèn chỉ báo 2. Nút Check (kiểm tra)

Các đèn chỉ báo			Dung lượng còn lại
 Bật sáng	 Tắt	 Nhấp nháy	
			75% đến 100%
			50% đến 75%
			25% đến 50%
			0% đến 25%
			Sạc pin.
			Pin có thể đã bị hỏng.
			

LƯU Ý: Tùy thuộc vào các điều kiện sử dụng và nhiệt độ xung quanh, việc chỉ báo có thể khác biệt một chút so với dung lượng thực sự.

LƯU Ý: Đèn chỉ báo (phía xa bên trái) đầu tiên sẽ nhấp nháy khi hệ thống bảo vệ pin hoạt động.

Hệ thống bảo vệ thiết bị / pin

Thiết bị này được trang bị hệ thống bảo vệ. Hệ thống này sẽ tự động ngắt nguồn điện đến động cơ để kéo dài tuổi thọ thiết bị và pin. Thiết bị sẽ tự động dừng vận hành khi thiết bị hoặc pin ở một trong những trường hợp sau đây.

- Bảo vệ quá tải: Khi vận hành thiết bị hoặc pin trong điều kiện tiêu tốn dòng điện cao bất thường, thiết bị sẽ tự động dừng lại mà không có bất cứ dấu hiệu nào. Trong trường hợp này, hãy tắt thiết bị và ngừng việc sử dụng đã làm cho thiết bị trở nên quá tải. Sau đó bật thiết bị lên để khởi động lại.
- Bảo vệ quá nhiệt: Khi thiết bị hoặc pin bị quá nhiệt, thiết bị sẽ tự động dừng lại. Hãy để thiết bị nguội bớt trước khi bật lại.
- Bảo vệ xả điện quá mức: Khi dung lượng pin yếu, thì thiết bị sẽ tự động dừng. Nếu thiết bị không vận hành ngay cả khi đã bật công tắc, hãy tháo hộp pin ra khỏi thiết bị và sạc pin.

VẬN HÀNH

⚠ THẬN TRỌNG: Quạt được làm từ nhựa polypropylene. Một số loại tác nhân dầu hoặc hóa chất làm hỏng nhựa có thể sẽ làm gãy quạt và gây thương tích.

Khởi động/ngừng quạt

Nhấn nút công tắc nguồn để bật quạt. Nhấn nút công tắc nguồn lần nữa để tắt quạt.

Thay đổi tốc độ gió

Nhấn nút đổi tốc độ gió khi quạt đang chạy. Tốc độ gió sẽ tăng mỗi khi bạn nhấn nút. Tốc độ gió sẽ trở về tốc độ chậm nhất khi quạt chạy ở tốc độ cao nhất. Quạt hoạt động bằng điện và pin sẽ khởi động với cùng tốc độ với cài đặt trước đó.

► **Hình4:** 1. Nút thay đổi tốc độ gió

Điều chỉnh đầu góc quạt

Có thể điều chỉnh đầu góc quạt bằng tay. Phạm vi có thể điều chỉnh đầu quạt như minh họa trong hình.

► **Hình5**

CHÚ Ý: Không được xoay đầu quạt vượt ra ngoài phạm vi có thể điều chỉnh.

Chỉnh xoay đầu quạt

⚠ THẬN TRỌNG: Khi chỉnh xoay đầu quạt, giữ cho các chứng ngại vật tránh xa phạm vi di chuyển của đầu quạt. Quạt hoạt động bằng điện và pin có thể bị đẩy hoặc rơi khi có dao động.

⚠ THẬN TRỌNG: Không ngừng quạt đang xoay bằng cách giữ chặt đầu quạt. Luôn nhấn nút xoay quạt để dừng.

Nhấn nút xoay quạt để xoay đầu quạt. Nhấn nút lần nữa để dừng chế độ xoay. Đầu quạt bắt đầu xoay từ vị trí hiện tại khi nhấn nút xoay quạt. Đầu quạt xoay trong phạm vi một góc 90 độ.

► **Hình6:** 1. Nút xoay quạt

LƯU Ý: Tùy thuộc vào vị trí đầu quạt, đầu quạt có thể không xoay ngay khi nhấn nút xoay quạt do cơ chế xoay.

Hẹn giờ tắt tự động

Nhấn nút hẹn giờ tắt tự động khi quạt đang chạy. Khoảng thời gian để kích hoạt hẹn giờ tắt tự động sẽ thay đổi mỗi lần bạn nhấn nút (1 giờ / 2 giờ / 4 giờ / tắt). Số bên dưới mỗi đèn chỉ báo hẹn giờ tắt tự động sẽ hiển thị (các) giờ còn lại để tắt quạt. Đèn chỉ báo hẹn giờ tự động tắt sẽ tắt theo thời gian.

► **Hình7:** 1. Nút hẹn giờ tắt tự động

LƯU Ý: Tùy thuộc vào loại hộp pin và dung lượng còn lại của pin, bộ hẹn giờ tắt tự động có thể được kích hoạt sớm hơn thời gian đã đặt.

Sử dụng bộ tiếp hợp AC

⚠ CẢNH BÁO: Không bao giờ sử dụng thiết bị khi dây điện hoặc phích cắm bị hỏng.

⚠ CẢNH BÁO: Không được thao tác phích điện bằng tay ướt hay dính dầu mỡ.

⚠ CẢNH BÁO: Không để bộ tiếp hợp AC bị ngắt kết nối với thiết bị trong khi nguồn vẫn được cung cấp từ nguồn điện. Trẻ nhỏ có thể đưa phích cắm có điện vào miệng và gây chấn thương.

⚠ CẢNH BÁO: Không đưa phích cắm trần hoặc dây điện vào miệng của bạn. Làm như vậy có thể bị ra điện giật.

Lắp phích cắm 12 V DC của bộ tiếp hợp AC vào ổ cắm điện 12 V DC, và sau đó cắm các chân cắm AC vào nguồn điện chính. Đảm bảo rằng định mức điện áp của nguồn điện chính tương ứng với nguồn của bộ tiếp hợp.

► **Hình8**

LƯU Ý: Sau khi bộ tiếp hợp AC được kết nối, thiết bị có thể mất 3–5 giây để khởi động.

LƯU Ý: Bộ tiếp hợp có thể kêu cọt két trong khi sử dụng cho nguồn điện. Điều này không ảnh hưởng đến việc sử dụng thông thường.

LƯU Ý: Ngay cả khi vận hành ở chế độ nguồn cấp điện DC, thiết bị cũng sẽ tự động chuyển sang chế độ nguồn cấp điện AC khi được cắm vào.

LƯU Ý: Khi quạt hoạt động bằng điện và pin chuyển chế độ nguồn cấp điện từ DC sang AC và ngược lại, tốc độ gió có thể tạm thời thay đổi.

LƯU Ý: Bộ tiếp hợp AC không sạc cho pin được lắp vào thiết bị.

BẢO TRÌ

⚠ THẬN TRỌNG: Hãy luôn chắc chắn rằng thiết bị đã được tắt, rút phích cắm và hộp pin đã được tháo ra trước khi cố gắng thực hiện việc kiểm tra hay bảo dưỡng.

CHÚ Ý: Không được phép dùng xăng, ét xăng, dung môi, cồn hoặc hóa chất tương tự. Có thể xảy ra hiện tượng mất màu, biến dạng hoặc nứt vỡ.

Để đảm bảo ĐỘ AN TOÀN và ĐỘ TIN CẬY của sản phẩm, việc sửa chữa hoặc bất cứ thao tác bảo trì, điều chỉnh nào đều phải được thực hiện bởi các Trung tâm Dịch vụ Nhà máy hoặc Trung tâm được Makita Ủy quyền và luôn sử dụng các phụ tùng thiết bị thay thế của Makita.

Bảo dưỡng tổng quát

Sau khi thiết bị đã được làm mát, hãy sử dụng vải sạch để loại bỏ bẩn, bụi, dầu, mỡ v.v...

⚠ CẢNH BÁO: Tất cả các phụ tùng nên được thay thế tại Trung tâm dịch vụ được ủy quyền.

Vệ sinh quạt

⚠ THẬN TRỌNG: Đảm bảo rằng quạt đã được tắt nguồn trước khi tháo bộ phận bảo vệ.

Khi vệ sinh bên trong nắp che cánh quạt, hãy tháo nắp che cánh quạt theo cách sau.

1. Nới lỏng ốc vít nằm ở mặt sau của nắp che cánh quạt.

► **Hình9:** 1. Vít

2. Xoay nắp che cánh quạt ngược chiều kim đồng hồ và tháo nắp che cánh quạt khi các vạch dấu được căn chỉnh như minh họa.

► **Hình10:** 1. Vạch dấu

► **Hình11**

Lau sạch quạt và nắp che cánh quạt bằng vải thấm nước xà phòng.

Đề gắn nắp che cánh quạt, thực hiện ngược lại quy trình tháo. Khi gắn nắp che cánh quạt, đảm bảo rằng nắp che cánh quạt được khóa sau tiếng cách.

⚠ THẬN TRỌNG: Luôn đảm bảo rằng nắp che cánh quạt được gắn vào trước khi vận hành.

⚠ THẬN TRỌNG: Gắn nắp che cánh quạt thật chặt. Nếu nắp che cánh quạt được gắn nửa chừng hoặc gắn không đúng, nó có thể rơi ra dẫn đến thương tích cá nhân hoặc hư hỏng cho thiết bị.

CHÚ Ý: Tránh dùng quá nhiều lượng tải trên nắp che cánh quạt. Nó có thể dẫn đến sớm bị đứt gãy.

Cắt giũa

Đề ngăn hỏa hoạn hoặc bốc cháy, đề thiết bị nguội hoàn toàn trước khi cắt giũa. Không cắt giũa pin đã xả điện trong thời gian dài, vì có thể rút ngắn tuổi thọ pin.

PHỤ KIỆN TỰY CHỌN

⚠ THẬN TRỌNG: Các phụ kiện hoặc phụ tùng gắn thêm này được khuyến cáo sử dụng với thiết bị Makita của bạn theo như quy định trong hướng dẫn này. Việc sử dụng bất cứ phụ kiện hoặc phụ tùng gắn thêm nào khác đều có thể gây ra rủi ro thương tích cho người. Chỉ sử dụng phụ kiện hoặc phụ tùng gắn thêm cho mục đích đã quy định sẵn của chúng.

Nếu bạn cần bất kỳ sự hỗ trợ nào để biết thêm chi tiết về các phụ tùng này, hãy hỏi Trung tâm Dịch vụ của Makita tại địa phương của bạn.

- Pin và bộ sạc chính hãng của Makita

LƯU Ý: Một số mục trong danh sách có thể được bao gồm trong gói dụng cụ làm phụ kiện tiêu chuẩn. Các mục này ở mỗi quốc gia có thể khác nhau.

คำเตือน

- สำหรับผู้ใช้ในภูมิภาคยุโรป: เครื่องรุ่นนี้เด็กอายุตั้งแต่ 8 ปีขึ้นไป หรือบุคคลที่มีลักษณะทุพพลภาพ มีปัญหาในเรื่องของสภาพจิต หรือขาดประสบการณ์และความรู้เกี่ยวกับการใช้งาน สามารถใช้งานได้ หากได้รับคำแนะนำการใช้งานอย่างปลอดภัยและเข้าใจถึงอันตรายที่อาจเกิดขึ้น ไม่ควรให้เด็กเล่นกับเครื่องใช้นี้ ไม่ควรให้เด็กทำความสะอาดและซ่อมบำรุงตามลำพังโดยไม่มีผู้ดูแล
- สำหรับผู้ใช้ในพื้นที่อื่นนอกเหนือจากยุโรป: อุปกรณ์นี้ไม่ได้ออกแบบมาเพื่อให้บุคคล (รวมถึงเด็ก) ที่มีความบกพร่องทางร่างกาย การรับรู้ความรู้สึก หรือทางจิตใจ หรือขาดประสบการณ์และความรู้เกี่ยวกับการใช้งานใช้ เว้นแต่ได้รับคำแนะนำการใช้งานอย่างปลอดภัยโดยบุคคลที่รับผิดชอบความปลอดภัยของพวกเขา ควรดูแลเด็กอย่างใกล้ชิดเพื่อป้องกันไม่ให้เด็กเล่นอุปกรณ์นี้

ข้อมูลจำเพาะ

พัลลมนี่มีฟังก์ชันการควบคุมความเร็ว 3 ระดับ ฟังก์ชันการส่ายของหัวพัลลม และฟังก์ชันนาฬิกาตั้งเวลาปิดอัตโนมัติ โดยสามารถใช้ตลับแบตเตอรี่ของ Makita หรืออะแดปเตอร์ไฟฟ้ากระแสสลับเป็นแหล่งจ่ายไฟได้

รุ่น:	CF002G	
แรงดันไฟฟ้าที่กำหนด	D.C. 36 V - 40 V สูงสุด	
อะแดปเตอร์ไฟฟ้ากระแสสลับ	อินพุต	100 — 240 V, 50 / 60 Hz, 1.2 A สูงสุด
	เอาต์พุต	12 V, 3.5 A
ขนาด (ยาว x กว้าง x สูง)	261 x 439 x 602 mm	
น้ำหนักสุทธิ (ไม่รวมตลับแบตเตอรี่)	3.8 kg	

- เนื่องจากการค้นคว้าวิจัยและพัฒนาอย่างต่อเนื่อง ข้อมูลจำเพาะในเอกสารฉบับนี้อาจเปลี่ยนแปลงได้โดยไม่ต้องแจ้งให้ทราบล่วงหน้า
- ข้อมูลจำเพาะอาจแตกต่างกันไปในแต่ละประเทศ

ตลับแบตเตอรี่และเครื่องชาร์จที่ใช้ได้

ตลับแบตเตอรี่	BL4020 / BL4025 / BL4040 / BL4050F
เครื่องชาร์จ	DC40RA / DC40RB / DC40RC

- ตลับแบตเตอรี่และเครื่องชาร์จบางรายการที่แสดงอยู่ด้านบนอาจไม่มีวางจำหน่ายขึ้นอยู่กับภูมิภาคที่คุณอาศัยอยู่

คำเตือน: ใช้ตลับแบตเตอรี่และเครื่องชาร์จที่ระบุไว้ข้างบนเท่านั้น การใช้ตลับแบตเตอรี่และเครื่องชาร์จประเภทอื่นอาจก่อให้เกิดความเสี่ยงที่จะได้รับบาดเจ็บและ/หรือเกิดไฟไหม้

เวลาการทำงานของแบตเตอรี่

ตารางต่อไปนี้อ้างอิงเกี่ยวกับคลังแบตเตอรี่บางรุ่นจาก Makita เวลาการทำงานโดยประมาณของแบตเตอรี่ที่ชาร์จเต็มแสดงอยู่ด้านล่าง:

คลังแบตเตอรี่	ความเร็วลม		
	สูง	ปานกลาง	ต่ำ
BL4025	200 min	400 min	640 min
BL4040	320 min	640 min	1020 min

สัญลักษณ์

ต่อไปนี้เป็นสัญลักษณ์ที่อาจใช้สำหรับอุปกรณ์ โปรดศึกษาความหมายของสัญลักษณ์ให้เข้าใจก่อนการใช้งาน



อ่านคู่มือการใช้งาน



Ni-MH
Li-ion

สำหรับประเทศในสหภาพยุโรปเท่านั้น เนื่องจากในอุปกรณ์มีส่วนประกอบอันตราย ชยะจำพวกอุปกรณ์ไฟฟ้าและอิเล็กทรอนิกส์ แบตเตอรี่ และหม้อแบตเตอรี่จึงอาจส่งผลกระทบต่อสิ่งแวดล้อมและสุขภาพของมนุษย์ในเชิงลบ อย่างไรก็ตามการใช้ไฟฟ้าและอิเล็กทรอนิกส์หรือแบตเตอรี่ร่วมกับวัสดุเหลือทิ้งในครัวเรือน! เพื่อให้เป็นไปตามกฎระเบียบของยุโรปว่าด้วยชยะจำพวกอุปกรณ์ไฟฟ้าและอิเล็กทรอนิกส์ และหม้อสะสมไฟฟ้าและแบตเตอรี่ รวมถึงการบังคับใช้ตามกฎหมายภายในประเทศ ควรมีการจัดเก็บชยะจำพวกอุปกรณ์ไฟฟ้า แบตเตอรี่ และหม้อสะสมไฟฟ้าแยกต่างหากและส่งไปยังจุดรับชยะต่างหากในเขตเทศบาลซึ่งมีการดำเนินการตามระเบียบว่าด้วยการดูแลสิ่งแวดล้อม

โดยระบุด้วยสัญลักษณ์เส้นคาดขวางรูปถังชยะแบบมีล้อไว้บนอุปกรณ์



สำหรับประเทศในสหภาพยุโรปเท่านั้น การกำจัดผลิตภัณฑ์นี้อาจถูกต้อง เครื่องหมายนี้บ่งบอกว่าไม่ควรกำจัดผลิตภัณฑ์นี้กับของเสียในครัวเรือนอื่นๆ ที่สหภาพยุโรป เพื่อป้องกันอันตรายที่อาจเกิดขึ้นต่อสิ่งแวดล้อมหรือสุขภาพของมนุษย์จากการกำจัดของเสียที่ไม่ได้รับการควบคุม ให้รีไซเคิลผลิตภัณฑ์ด้วยความรับผิดชอบเพื่อส่งเสริมการนำทรัพยากรวัสดุกลับมาใช้ใหม่อย่างยั่งยืน เมื่อต้องการส่งคืนอุปกรณ์ที่ใช้แล้ว โปรดใช้ระบบการคืนและการเก็บรวบรวม หรือติดต่อผู้แทนจำหน่ายที่จำหน่ายผลิตภัณฑ์นั้นๆ ผู้แทนจำหน่ายสามารถนำผลิตภัณฑ์นี้ไปรีไซเคิลได้อย่างปลอดภัยต่อสิ่งแวดล้อม เนื่องจากในอุปกรณ์มีส่วนประกอบอันตราย อุปกรณ์ไฟฟ้าและอิเล็กทรอนิกส์ที่ใช้แล้วจึงอาจส่งผลกระทบต่อสิ่งแวดล้อมและสุขภาพของมนุษย์ในเชิงลบ

จุดประสงค์การใช้งาน

เครื่องใช้ไฟฟ้านี้ใช้สำหรับสร้างกระแสลม

คำเตือนด้านความปลอดภัย

เพื่อป้องกันการบาดเจ็บสาหัส โปรดอ่านและทำความเข้าใจคำเตือนและคำแนะนำทั้งหมดก่อนใช้งาน

คุณจำเป็นต้องใช้คู่มือนี้สำหรับคำเตือนและข้อควรระวังด้านความปลอดภัย ขั้นตอนการประกอบ การใช้งาน การตรวจสอบ การบำรุงรักษา โปรดเก็บคู่มือไว้ในสถานที่ที่ปลอดภัยและแห้งสำหรับอ้างอิงในอนาคต

คำแนะนำด้านความปลอดภัยที่สำคัญ

เมื่อใช้เครื่องใช้ไฟฟ้านี้ โปรดปฏิบัติตามข้อควรระวังพื้นฐาน ซึ่งรวมถึงคำแนะนำต่อไปนี้:

โปรดอ่านคำแนะนำทั้งหมดก่อนใช้งานเครื่องใช้

คำเตือน

การลดความเสี่ยงในการเกิดไฟไหม้ ไฟฟ้าช็อต หรือการบาดเจ็บ:

1. อย่าให้โดนฝน และเก็บไว้ในที่ร่ม
2. ห้ามใช้เป็นของเล่น ต้องดูแลอย่างใกล้ชิดหากผู้ใช้งานเป็นเด็ก หรือนำไปใช้งานใกล้เด็ก
3. ใช้งานเฉพาะตามที่ได้ระบุไว้ในคู่มือการใช้งานฉบับนี้เท่านั้น ใช้อุปกรณ์ต่อพ่วงที่แนะนำโดยผู้ผลิตเท่านั้น
4. ห้ามใช้แบตเตอรี่ที่เสียหาย หากเครื่องใช้ไม่ทำงาน อันเนื่องมาจากการตกหล่น เสียหาย ถูกวางทิ้งไว้ข้างนอก หรือหล่นลงในน้ำ ให้ส่งกลับคืนไปที่ศูนย์บริการของเรา
5. อย่าจับเครื่องใช้ไฟฟ้าด้วยมือที่เปียก
6. ห้ามใส่วัตถุใดๆ ลงในช่องเปิด
7. ดูแลผม เสื้อผ้าที่รุ่มร่าม และส่วนของร่างกายทั้งหมดให้ห่างจากช่องเปิดและชิ้นส่วนเคลื่อนที่
8. ปิดการควบคุมทั้งหมดก่อนที่จะถอดแบตเตอรี่
9. ใช้อะแดปเตอร์ไฟฟ้ากระแสสลับและเครื่องชาร์จที่ผู้ผลิตจัดหาให้เท่านั้น อุปกรณ์เสริมที่ไม่เหมาะสมสำหรับเครื่องใช้ไฟฟ้าอาจเป็นอันตรายเมื่อใช้กับอุปกรณ์เสริมอื่น
10. ห้ามชาร์จแบตเตอรี่นอกอาคาร
11. อย่าให้โดนไฟหรือวางไว้ในที่ที่อุณหภูมิสูง
12. อย่าใช้งานใกล้กับเปลวไฟ ถ่านที่ยังคุกรุ่นอยู่ หรือสภาพแวดล้อมที่เกิดการระเบิดได้ เช่น ในที่มีมีของเหลว ก๊าซ หรือฝุ่นไวไฟ เครื่องใช้ชิ้นนี้จะสร้างประกายไฟซึ่งอาจลุกไหม้ฝุ่นหรือทำให้เกิดควันไฟได้
13. ห้ามใช้เครื่องใช้ชิ้นนี้ในสถานที่ที่ชื้น เช่น ในห้องน้ำ
14. ใช้เครื่องใช้ชิ้นนี้ภายในอาคารเท่านั้น ห้ามใช้เครื่องใช้ชิ้นนอกอาคาร
15. เครื่องใช้ชิ้นนี้มิได้สำหรับใช้ในครัวเรือนเท่านั้น
16. กรุณาอ่านคู่มือการใช้งานและคู่มือการใช้งานเครื่องชาร์จอย่างละเอียดก่อนใช้งาน
17. หยุดใช้งานทันทีหากคุณสังเกตเห็นถึงความผิดปกติใดๆ
18. หากคุณทำเครื่องใช้ชิ้นนี้หล่นหรือกระแทก ให้ตรวจสอบหารอยร้าวหรือความเสียหายอย่างละเอียดก่อนใช้งาน

19. ยอย่านำเครื่องใช้ชิ้นนี้เข้าใกล้เตาไฟหรือแหล่งความร้อนอื่นๆ
20. อย่าใช้งานหากมีชิ้นส่วนที่หัก งอ ร้าว หรือเสียหาย โดยคุณจะต้องหยุดใช้เครื่องใช้ใดๆ ที่มีความเสียหายไม่ว่าจะในลักษณะใด หรือมีความผิดปกติในการใช้งานทันที และทำการตรวจสอบก่อนการใช้งานทุกครั้ง
21. อย่าปล่อยให้เครื่องใช้ทำงานทิ้งไว้และไม่มีผู้ดูแล
22. อย่าใช้อะแดปเตอร์ไฟฟ้ากระแสสลับผิดวัตถุประสงค์ ห้ามใช้สายอะแดปเตอร์ในการยกเครื่องใช้หรือเพื่อตั้งปลั๊กออกจากเต้าเสียบ เกือบอะแดปเตอร์ไฟฟ้ากระแสสลับให้ห่างจากความร้อน น้ำมัน ขอบมีคม หรือชิ้นส่วนเคลื่อนที่ เปลี่ยนอะแดปเตอร์ที่เสียหายทันที อะแดปเตอร์ที่เสียหายอาจเพิ่มความเสี่ยงในการเกิดไฟฟ้ช็อต

การใช้งานและดูแลเครื่องมือที่ใช้แบตเตอรี่

1. ชาร์จไฟใหม่ด้วยเครื่องชาร์จที่ระบุโดยผู้ผลิตเท่านั้น เครื่องชาร์จที่เหมาะสมสำหรับชุดแบตเตอรี่ประเภทหนึ่งอาจเสี่ยงที่จะเกิดไฟไหม้หากนำไปใช้กับชุดแบตเตอรี่อีกประเภทหนึ่ง
2. ใช้เครื่องมือไฟฟ้ากับชุดแบตเตอรี่ที่กำหนดมาโดยเฉพาะเท่านั้น การใช้ชุดแบตเตอรี่ประเภทอื่นอาจทำให้เสี่ยงที่จะได้รับบาดเจ็บและเกิดไฟไหม้
3. เมื่อไม่ใช้งานชุดแบตเตอรี่ ให้เก็บห่างจากวัตถุที่เป็นโลหะอื่นๆ เช่น คลิปหนีบกระดาษ เหรียญ ญาญแจ กรรไกรตัดเล็บ สกรู หรือวัตถุที่เป็นโลหะขนาดเล็กอื่นๆ ที่สามารถเชื่อมต่อกับขั้วหนึ่งกับอีกขั้วหนึ่งได้ การลัดวงจรขั้วแบตเตอรี่อาจทำให้อ่อนจัดหรือเกิดไฟไหม้
4. ในกรณีที่ใช้งานไม่ถูกต้อง อาจมีของเหลวไหลออกจากแบตเตอรี่ ให้หลีกเลี่ยงการสัมผัส หากสัมผัสโดนของเหลวโดยไม่ได้ตั้งใจ ให้ล้างออกด้วยน้ำ หากของเหลวกระเด็นเข้าตา ให้รีบไปพบแพทย์ ของเหลวที่ไหลออกจากแบตเตอรี่อาจทำให้ผิวหนังระคายเคืองหรือไหม้
5. ห้ามใช้ชุดแบตเตอรี่หรือเครื่องมือที่ชาร์จหรือมีการแก้ไข แบตเตอรี่ที่เสียหายหรือมีการแก้ไขอาจทำให้เกิดสิ่งที่ไม่ดีถึงได้ เช่น ไฟไหม้ ระเบิด หรือเสี่ยงต่อการบาดเจ็บ
6. ห้ามให้ชุดแบตเตอรี่อยู่ใกล้ไฟ หรือบริเวณที่มีอุณหภูมิสูงเกิน หากโดนไฟ หรืออุณหภูมิสูงเกิน 130 °C อาจก่อให้เกิดการระเบิดได้

7. กรณูปฏิบัติตามคำแนะนำสำหรับการชาร์จไฟ และห้ามชาร์จแบตเตอรี่หรือเครื่องมือในบริเวณที่มีอุณหภูมินอกเหนือไปจากที่ระบุในคำแนะนำ การชาร์จไฟที่ไม่เหมาะสม หรืออุณหภูมินอกเหนือไปจากช่วงอุณหภูมิที่ระบุในคำแนะนำอาจทำให้แบตเตอรี่เสียหายและเป็นการเพิ่มความเสี่ยงในการเกิดไฟไหม้

การใช้งานและการดูแลรักษาพัฒนาไร้อาย

1. ใช้พัฒนาไร้อายอย่างถูกต้องตามการใช้งานของคุณ อย่าใช้พัฒนาเพื่อวัตถุประสงค์อื่นที่ไม่ได้ระบุไว้
2. เครื่องใช้นี้สามารถทำงานด้วยดัดแปลงแบตเตอรี่ลิเทียมไอออนของ Makita ที่ระบุไว้ในส่วน "ข้อมูลจำเพาะ" ในคู่มือการใช้งานนี้ หรือด้วยอะแดปเตอร์ไฟฟ้ากระแสสลับ การใช้แบตเตอรี่อื่น ๆ อาจเสี่ยงที่จะเกิดไฟไหม้ได้ ชาร์จแบตเตอรี่ด้วยเครื่องชาร์จที่ระบุเท่านั้น เครื่องชาร์จที่อาจไม่เหมาะสมกับประเภทของแบตเตอรี่อาจเสี่ยงที่จะเกิดไฟไหม้เมื่อใช้ชาร์จแบตเตอรี่อื่น ๆ
3. เก็บเครื่องใช้ที่ไม่ได้ใช้งานให้ห่างจากเด็กและผู้ที่ไม่ได้ผ่านการฝึกอบรมมา
4. นำดัดแปลงแบตเตอรี่และอะแดปเตอร์ไฟฟ้ากระแสสลับออกจากแหล่งจ่ายไฟก่อนเก็บเครื่องใช้ ดำเนินการตรวจสอบ บำรุงรักษา หรือทำความสะอาด มาตรการความปลอดภัยเชิงป้องกันดังกล่าวจะลดความเสี่ยงในการเริ่มใช้งานเครื่องใช้โดยไม่ตั้งใจ
5. เมื่อไม่ได้ใช้ดัดแปลงแบตเตอรี่ ให้เก็บรักษาให้ห่างจากวัตถุที่เป็นโลหะอื่น ๆ การลัดวงจรขั้วแบตเตอรี่อาจทำให้เกิดประกายไฟ การเผาไหม้ หรือไฟไหม้ได้
6. ถอดปลั๊กและรอให้เครื่องใช้เย็นลงก่อนดำเนินการตรวจสอบ บำรุงรักษา ทำความสะอาด หรือเก็บรักษา
7. อย่าปล่อยให้ความชื้นเคยกับเครื่องใช้ทำให้คุณขาดความระมัดระวัง พึงระลึกไว้ว่าการขาดความระมัดระวังเพียงวินาทีเดียวก็ทำให้ได้รับบาดเจ็บสาหัสได้
8. วางเครื่องใช้นี้ไว้บนพื้นราบและมั่นคงเสมอ หากเครื่องใช้ตกลงหล่น อาจส่งผลให้ได้รับบาดเจ็บหรือทำให้เครื่องใช้เสียหายได้
9. อย่าใช้แบตเตอรี่ อุปกรณ์ต่อพ่วง หรืออุปกรณ์เสริมใดๆ ที่ไม่ได้แนะนำโดยผู้ผลิตของเครื่องใช้นี้ การใช้แบตเตอรี่ อุปกรณ์ต่อพ่วง หรืออุปกรณ์เสริมที่ไม่ได้อาจส่งผลให้ได้รับบาดเจ็บสาหัสได้
10. ดูแลให้หม้อหรือเสื้อผ้าที่ชุ่มชื้น เช่น ผ้าพันคอ อยู่ห่างจากพัฒนา เนื่องจากอาจเข้าไปติดในพัฒนาและส่งผลให้ได้รับบาดเจ็บได้

11. ตรวจสอบให้แน่ใจว่าสวิตช์อยู่ในตำแหน่งปิดก่อนยกหรือเคลื่อนย้ายเครื่องใช้ การเคลื่อนย้ายเครื่องใช้โดยที่นิ้วของคุณอยู่บนสวิตช์จะทำให้เกิดอุบัติเหตุได้
12. อย่าดัดแปลงหรือพยายามซ่อมเครื่องใช้หรือดัดแปลงแบตเตอรี่ด้วยตนเอง ยกเว้นคำแนะนำในการใช้งานและการดูแลรักษาที่ระบุไว้ในคำแนะนำ

การซ่อมบำรุง

1. การซ่อมบำรุงเครื่องใช้จำเป็นต้องดำเนินการโดยบุคลากรด้านการซ่อมที่ได้รับการรับรองเท่านั้น การซ่อมบำรุงหรือบำรุงรักษาที่ดำเนินการโดยบุคลากรที่ไม่ได้รับการรับรองอาจส่งผลให้ได้รับบาดเจ็บได้
2. เมื่อทำการซ่อมบำรุงเครื่องใช้นี้ ให้ใช้เฉพาะอะไหล่ทดแทนที่เหมือนกันกับชิ้นส่วนที่จะเปลี่ยนเท่านั้น การใช้ชิ้นส่วนที่ไม่ได้รับการรับรองหรือไม่ปฏิบัติตามคำแนะนำในการบำรุงรักษาอาจเสี่ยงที่จะเกิดไฟฟ้าช็อตหรือได้รับบาดเจ็บได้
3. อย่าเผาเครื่องใช้นี้ แม้ว่าจะเสียหายอย่างรุนแรงก็ตาม แบตเตอรี่อาจระเบิดในไฟได้ กำจัดเครื่องใช้นี้ตามข้อบังคับท้องถิ่น

คำแนะนำเพื่อความปลอดภัยที่สำคัญสำหรับดัดแปลงแบตเตอรี่

1. ก่อนใช้งานดัดแปลงแบตเตอรี่ ให้อ่านคำแนะนำและเครื่องหมายเตือนทั้งหมดบน (1) เครื่องชาร์จแบตเตอรี่ (2) แบตเตอรี่ และ (3) ตัวผลิตภัณฑ์ที่ใช้แบตเตอรี่
2. อย่าถอดแยกชิ้นส่วนหรือทำการดัดแปลงดัดแปลงแบตเตอรี่ เนื่องจากอาจทำให้เกิดไฟไหม้ ความร้อนที่สูงเกินไป หรือระเบิดได้
3. หากระยะเวลาที่เครื่องทำงานสั้นเกินไป ให้หยุดใช้งานทันที เนื่องจากอาจมีความเสี่ยงที่จะร้อนจัด ไหม้หรือระเบิดได้
4. หากสารละลายอิเล็กโทรไลต์กระเด็นเข้าตา ให้ล้างออกด้วยน้ำเปล่าและรีบไปพบแพทย์ทันที เนื่องจากอาจทำให้ตาบอด
5. ห้ามลัดวงจรดัดแปลงแบตเตอรี่:
 - (1) ห้ามแตะขั้วกับวัตถุที่เป็นสื่อไฟฟ้าใดๆ
 - (2) หลีกเลี่ยงการเก็บดัดแปลงแบตเตอรี่ไว้ในภาชนะร่วมกับวัตถุที่เป็นโลหะ เช่น กรรไกรตัดเล็บ เหรียญ ฯลฯ
 - (3) อย่าให้ดัดแปลงแบตเตอรี่ถูกนำหรือผสมแบตเตอรี่ลัดวงจรอาจทำให้เกิดการไหลของกระแสไฟฟ้า ร้อนจัด ไหม้หรือเสียหายได้

6. ห้ามเก็บและใช้เครื่องมือและดัลบ์แบตเตอรี่ไว้ในสถานที่ที่มีอุณหภูมิสูงถึงหรือเกิน 50 °C (122 °F)
7. ห้ามเผาตลับแบตเตอรี่ทิ้ง แม้ว่าแบตเตอรี่จะเสียหายจนใช้การไม่ได้หรือเสื่อมสภาพแล้ว ตลับแบตเตอรี่อาจจะระเบิดในกองไฟ
8. อย่าตอกตะปู ตัด บด ขั้ววง หรือทำตลับแบตเตอรี่หล่นพื้น หรือกระทบตลับแบตเตอรี่กับวัตถุของแข็ง การกระทำดังกล่าวอาจส่งผลให้เกิดไฟไหม้ ความร้อนที่สูงเกินไป หรือระเบิดได้
9. ห้ามใช้แบตเตอรี่ที่เสียหาย
10. แบตเตอรี่ลิเทียมไอออนที่มีมาให้มาเป็นไปตามข้อกำหนดของ Dangerous Goods Legislation สำหรับการขนส่งเพื่อการพาณิชย์ เช่น โดยบุคคลที่สาม ตัวแทนขนส่งสินค้า จะต้องตรวจสอบข้อกำหนดพิเศษในด้านการบรรจุหีบห่อหรือการติดป้ายสินค้าในการเตรียมสินค้าที่จะขนส่ง ให้ปรึกษาผู้เชี่ยวชาญด้านวัตถุอันตราย โปรดตรวจสอบข้อกำหนดในประเทศที่อาจมีรายละเอียดอื่นๆ เพิ่มเติม ให้ติดเทปหรือปิดหน้าสัมผัสและห่อแบตเตอรี่ในลักษณะที่แบตเตอรี่จะไม่เคลื่อนที่ไปมาในหีบห่อ
11. เมื่อกำจัดตลับแบตเตอรี่ ให้ถอดตลับแบตเตอรี่ออกจากเครื่องมือและกำจัดในสถานที่ที่ปลอดภัย ปฏิบัติตามข้อบังคับในท้องถิ่นที่เกี่ยวข้องกับการกำจัดแบตเตอรี่
12. ใช้แบตเตอรี่กับผลิตภัณฑ์ที่ระบุโดย Makita เท่านั้น การติดตั้งแบตเตอรี่ในผลิตภัณฑ์ที่ไม่ใช่ตามที่ระบุอาจทำให้เกิดไฟไหม้ ความร้อนสูง ระเบิด หรืออิเล็กทรอนิกส์ล้มเหลวได้
13. หากไม่ใช้เครื่องมือเป็นระยะเวลานาน จะต้องถอดแบตเตอรี่ออกจากเครื่องมือ
14. ในระหว่างและหลังการใช้งาน ตลับแบตเตอรี่อาจร้อนซึ่งอาจลวกผิวหรือทำให้ผิวหนังไหม้ที่อุณหภูมิต่ำได้ โปรดระมัดระวังในการจัดการกับแบตเตอรี่ที่ร้อน
15. อย่าสัมผัสขั้วของเครื่องมือทันทีหลังจากการใช้งาน เนื่องจากอาจมีความร้อนพอที่จะทำให้ผิวไหม้ได้
16. อย่าปล่อยให้เศษวัสดุ ฝุ่นผง หรือดินเข้าไปติดอยู่ในขั้ว รู และร่องของตลับแบตเตอรี่ เนื่องจากอาจทำให้เครื่องมือหรือตลับแบตเตอรี่มีประสิทธิภาพลดลงหรือเสียหายได้
17. หากเครื่องมือไม่รองรับสายไฟแรงดันสูง อย่าใช้ตลับแบตเตอรี่ใกล้กับสายไฟแรงดันสูง เนื่องจากเครื่องมือหรือตลับแบตเตอรี่อาจทำงานผิดปกติหรือเสียหายได้
18. เก็บแบตเตอรี่ให้ห่างจากเด็ก

ปฏิบัติตามคำแนะนำเหล่านี้

⚠️ ข้อควรระวัง: ใช้แบตเตอรี่ของแท้จาก Makita เท่านั้น การใช้แบตเตอรี่ Makita ที่ไม่แท้ หรือแบตเตอรี่ที่ถูกเปลี่ยน อาจทำให้แบตเตอรี่ระเบิด ก่อให้เกิดเพลิงลุกไหม้ การบาดเจ็บ และความเสียหายได้ และจะทำให้การรับประกันของ Makita สำหรับเครื่องมือและแท่นชาร์จของ Makita เป็นโมฆะด้วย

เคล็ดลับในการรักษาอายุการใช้งานของแบตเตอรี่ให้ยาวนานที่สุด

1. ชาร์จตลับแบตเตอรี่ก่อนที่ไฟจะหมด หยุดการใช้งานแล้วชาร์จประจุไฟฟ้าใหม่ทุกครั้งเมื่อคุณรู้สึกว่าอุปกรณ์มีกำลังลดลง
2. อย่าชาร์จตลับแบตเตอรี่ที่มีไฟเต็มแล้ว การชาร์จประจุไฟฟ้ามากเกินไปอาจจะทำให้อายุการใช้งานของตลับแบตเตอรี่สั้นลง
3. ชาร์จประจุไฟฟ้าตลับแบตเตอรี่ในห้องที่มีอุณหภูมิระหว่าง 10 °C - 40 °C ปล่อยให้ตลับแบตเตอรี่เย็นลงก่อนที่จะชาร์จไฟ
4. เมื่อไม่ใช้ตลับแบตเตอรี่ ให้ถอดออกจากเครื่องมือหรือเครื่องชาร์จ
5. ชาร์จไฟตลับแบตเตอรี่หากคุณไม่ต้องการใช้เป็นเวลานาน (เกินกว่าหกเดือน)

คำอธิบายชิ้นส่วนต่างๆ

▶ หมายเลข 1

1	ปุ่มสวิตช์ไฟหลัก	2	ปุ่มเปลี่ยนความเร็วลม	3	ปุ่มนาฬิกาตั้งเวลาปิดอัตโนมัติ
4	ปุ่มสาย	5	ไฟแสดงความเร็วลม	6	ไฟแสดงนาฬิกาตั้งเวลาปิดอัตโนมัติ
7	ช่องใส่แบตเตอรี่	8	เต้ารับไฟฟ้ากระแสตรง 12 V	9	อะแดปเตอร์ไฟฟ้ากระแสสลับ

คำอธิบายการทำงาน

⚠ ข้อควรระวัง: ตรวจสอบให้แน่ใจเสมอว่าปิดสวิตช์เครื่องใช้และนำถลับแบตเตอรี่ออกแล้วก่อนทำการปรับหรือตรวจสอบฟังก์ชันบนเครื่องใช้

การใส่หรือการถอดถลับแบตเตอรี่

⚠ ข้อควรระวัง: ปิดสวิตช์เครื่องใช้ก่อนใส่หรือถอดถลับแบตเตอรี่ออกเสมอ

⚠ ข้อควรระวัง: จับเครื่องใช้และถลับแบตเตอรี่ให้แน่นเมื่อใส่หรือถอดถลับแบตเตอรี่ หากไม่จับเครื่องใช้และถลับแบตเตอรี่ให้แน่นอาจทำให้เครื่องใช้และถลับแบตเตอรี่เสียหาย รวมถึงส่งผลให้ได้รับบาดเจ็บได้

การถอดถลับแบตเตอรี่ออก ให้เลื่อนถลับแบตเตอรี่ออกจากเครื่องใช้ในขณะที่เลือกปุ่มที่อยู่ด้านหน้าถลับไปด้วย

การติดตั้งถลับแบตเตอรี่ ให้จัดตำแหน่งลิ้นของถลับแบตเตอรี่ให้ตรงกับร่องของเครื่อง แล้วเลื่อนเข้าที่ ติดตั้งถลับแบตเตอรี่เข้าจนสุดจนกระทั่งได้ยินเสียงคลิกล๊อคเข้าที่

► หมายเลข 2: 1. ปุ่ม 2. ถลับแบตเตอรี่

⚠ ข้อควรระวัง: ติดตั้งถลับแบตเตอรี่เข้าจนสุดเสมอ ไม่เช่นนั้น ถลับแบตเตอรี่อาจร่วงหล่นออกจากเครื่องใช้โดยไม่ได้ตั้งใจ ซึ่งส่งผลให้คุณหรือผู้ที่อยู่รอบข้างคุณได้รับบาดเจ็บได้

⚠ ข้อควรระวัง: อย่าฝืนติดตั้งถลับแบตเตอรี่โดยใช้แรงมากเกินไป หากถลับแบตเตอรี่ไม่เลื่อนเข้าไปโดยง่าย แสดงว่าใส่ไม่ถูกต้อง

การระบุระดับพลังงานแบตเตอรี่ที่เหลืออยู่

กดปุ่ม ตรวจสอบ บนถลับแบตเตอรี่เพื่อดูปริมาณแบตเตอรี่ที่เหลือ ไฟแสดงสถานะจะสว่างขึ้นเป็นเวลาสองสามวินาที

► หมายเลข 3: 1. ไฟแสดงสถานะ 2. ปุ่มตรวจสอบ

ไฟแสดงสถานะ			แบตเตอรี่ที่เหลือ
ไฟสว่าง	ดับ	กะพริบ	
■ ■ ■ ■			75% ถึง 100%
■ ■ ■ □			50% ถึง 75%
■ ■ □ □			25% ถึง 50%
■ □ □ □			0% ถึง 25%
▣ □ □ □			ชาร์จไฟแบตเตอรี่
■ ■ □ □	↑ ↓		แบตเตอรี่อาจจะเสียหาย

หมายเหตุ: ขึ้นอยู่กับสภาพการใช้งานและอุณหภูมิ โดยรอบ การแสดงสถานะอาจจะแตกต่างจากปริมาณแบตเตอรี่จริงเล็กน้อย

หมายเหตุ: ไฟแสดงสถานะดวงแรก (ซ้ายสุด) จะกะพริบเมื่อระบบป้องกันแบตเตอรี่ทำงาน

ระบบป้องกันเครื่องใช้/แบตเตอรี่

เครื่องใช้มีระบบป้องกัน ระบบนี้จะตัดไฟที่ส่งไปยังมอเตอร์โดยอัตโนมัติเพื่อยืดอายุเครื่องใช้และแบตเตอรี่ เครื่องใช้นี้จะหยุดทำงานโดยอัตโนมัติในระหว่างการใช้งานหากเครื่องใช้หรือแบตเตอรี่อยู่ในสภาวะดังต่อไปนี้

- การป้องกันการทำงานหนักเกินไป: เมื่อเครื่องใช้หรือแบตเตอรี่ทำงานในลักษณะที่มีการดึงให้กระแสไฟสูงผิดปกติ เครื่องใช้จะหยุดทำงานโดยอัตโนมัติโดยไม่มีสัญญาณใดๆ ในสถานการณ์เช่นนี้ ให้ปิดเครื่องใช้และหยุดการใช้ที่จะทำให้เครื่องใช้ทำงานหนักเกินไป จากนั้นให้เปิดเครื่องใช้เพื่อเริ่มใช้งานอีกครั้ง
- การป้องกันการเกิดความร้อนสูงเกินไป: เมื่อเครื่องใช้หรือแบตเตอรี่เกิดความร้อนสูงเกินไป เครื่องใช้จะหยุดทำงานโดยอัตโนมัติ ปล่อยให้เครื่องใช้เย็นลงก่อนเปิดเครื่องอีกครั้ง

- การป้องกันการใช้ปลั๊กพุ่มจุกออกมาเกินไป: เมื่อความจุแบตเตอรี่เหลือน้อย เครื่องใช้จะหยุดทำงานโดยอัตโนมัติ หากเครื่องใช้ไม่ทำงานแม้ว่าจะเปิดสวิตช์แล้ว ให้ถอดดัดปลั๊กแบตเตอรี่ออกจากเครื่องใช้แล้วชาร์จดัดปลั๊กแบตเตอรี่

การเริ่ม/หยุดพัลลม

กดปุ่มสวิตช์ไฟหลักเพื่อเปิดพัลลม กดปุ่มสวิตช์ไฟหลักอีกครั้งเพื่อปิดพัลลม

การเปลี่ยนความเร็วลม

กดปุ่มเปลี่ยนความเร็วลมในขณะที่พัลลมกำลังทำงาน ความเร็วลมจะเพิ่มขึ้นทุกครั้งที่คุณกดปุ่ม ความเร็วลมจะกลับไปความเร็วต่ำสุดเมื่อทำงานที่ความเร็วสูงสุด พัลลมไร้สายจะเริ่มทำงานด้วยความเร็วเดียวกับการตั้งค่าก่อนหน้า

- ▶ **หมายเลข 4:** 1. ปุ่มเปลี่ยนความเร็วลม

การใช้งาน

⚠ ข้อควรระวัง: พัลลมทำจากพอลิโพรไพลีนเรซิน สารหรือสารเคมีที่มีส่วนประกอบของน้ำมันบางชนิดที่มีคุณสมบัติทำลายเรซินอาจทำให้พัลลมแตกและส่งผลให้เกิดการบาดเจ็บได้

การปรับองศาของหัวพัลลม

สามารถปรับองศาของหัวพัลลมได้ด้วยมือ ระยะการปรับหัวพัลลมแสดงอยู่ในภาพ

- ▶ **หมายเลข 5**

ข้อสังเกต: อย่าปรับหัวพัลลมเกินกว่าระยะที่สามารถปรับได้

การปรับให้หัวพัลลมส่าย

⚠ ข้อควรระวัง: เมื่อทำการปรับให้หัวพัลลมส่าย ให้นำสิ่งกีดขวางออกจากระยะการเคลื่อนที่ของหัวพัลลม พัลลมไร้สายอาจถูกดันและร่วงหล่นจากการส่ายได้

⚠ ข้อควรระวัง: อย่าหยุดการส่ายโดยการจับหัวพัลลมไว้ให้กดปุ่มส่ายเพื่อหยุดเสมอ

กดปุ่มส่ายเพื่อปรับให้หัวพัลลมส่าย กดปุ่มอีกครั้งเพื่อหยุดการส่าย หัวพัลลมจะเริ่มส่ายจากตำแหน่งปัจจุบันเมื่อกดปุ่มส่าย หัวพัลลมจะส่ายในระยะ 90 องศา

- ▶ **หมายเลข 6:** 1. ปุ่มส่าย

หมายเหตุ: หัวพัลลมอาจไม่ส่ายทันทีหลังจากกดปุ่มส่าย เนื่องจากกลไกของการส่ายซึ่งขึ้นอยู่กับตำแหน่งของหัวพัลลม

นาฬิกาตั้งเวลาปิดอัตโนมัติ

กดปุ่มนาฬิกาตั้งเวลาปิดอัตโนมัติในขณะที่พัลลมกำลังทำงาน ระยะเวลาในการเปิดใช้นาฬิกาตั้งเวลาปิดอัตโนมัติจะเปลี่ยนไปทุกๆ ครั้งที่คุณกดปุ่ม (1 ชั่วโมง / 2 ชั่วโมง / 4 ชั่วโมง / ปิด) หมายเลขที่อยู่ใต้ไฟแสดงนาฬิกาตั้งเวลาปิดอัตโนมัติแสดงถึงจำนวนชั่วโมงที่เหลืออยู่จนถึงเวลาที่ปิดพัลลม ไฟแสดงนาฬิกาตั้งเวลาปิดอัตโนมัติจะดับลงตามเวลาที่ตั้งไว้

- ▶ **หมายเลข 7:** 1. ปุ่มนาฬิกาตั้งเวลาปิดอัตโนมัติ

หมายเหตุ: นาฬิกาตั้งเวลาปิดอัตโนมัติอาจทำงานก่อนเวลาที่ตั้งไว้โดยขึ้นอยู่กับประเภทดัดปลั๊กแบตเตอรี่และความจุแบตเตอรี่ที่เหลืออยู่

การใช้อะแดปเตอร์ไฟฟ้ากระแสสลับ

⚠ คำเตือน: ห้ามใช้เครื่องใช้เมื่อสายไฟหรือปลั๊กไฟเสียหาย

⚠ คำเตือน: อย่าจับปลั๊กไฟด้วยมือที่เปียกหรือเป็นคราบน้ำมัน

⚠ คำเตือน: อย่าปล่อยให้อะแดปเตอร์ไฟฟ้ากระแสสลับหลุดออกจากเครื่องใช้ในขณะที่มีการจ่ายไฟจากแหล่งจ่ายไฟหลัก เนื่องจากเด็กเล็กอาจนำปลั๊กที่มีกระแสไฟฟ้าไหลผ่านเข้าปากและทำให้ได้รับบาดเจ็บได้

⚠ คำเตือน: อย่านำปลั๊กไฟหรือสายไฟที่มีกระแสไฟฟ้าไหลผ่านเข้าไปในปากของคุณ การทำเช่นนั้นอาจทำให้เกิดไฟช็อตได้

เสียบปลั๊กไฟฟ้ากระแสตรง 12 V ของอะแดปเตอร์ไฟฟ้ากระแสสลับเข้าไปในเต้ารับไฟฟ้ากระแสตรง 12 V จากนั้นเสียบขาปลั๊กไฟฟ้ากระแสสลับ เข้าไปในแหล่งจ่ายไฟหลัก ตรวจสอบให้แน่ใจว่าแรงดันไฟฟ้าที่ระบุของแหล่งจ่ายไฟหลักตรงกับที่ระบุบนอะแดปเตอร์

- ▶ **หมายเลข 8**

หมายเหตุ: หลังจากเชื่อมต่ออะแดปเตอร์ไฟฟ้ากระแสสลับ เครื่องจะใช้เวลาประมาณ 3-5 วินาทีเพื่อเริ่มทำงาน

หมายเหตุ: อะแดปเตอร์อาจส่งเสียงดังเอี๊ยดในขณะที่ใช้สำหรับการจ่ายไฟ ซึ่งนี่จะไม่ส่งผลกระทบต่อการใช้งานตามปกติ

หมายเหตุ: เมื่อใช้งานในโหมดไฟฟ้้ากระแสตรง เครื่องใช้จะเปลี่ยนเป็นโหมดไฟฟ้้ากระแสสลับโดยอัตโนมัติเมื่อเสียบปลั๊ก

หมายเหตุ: เมื่อพัดลมไร้สายสลับโหมดไฟฟ้้าจากไฟฟ้้ากระแสตรงเป็นไฟฟ้้ากระแสสลับ หรือในทางกลับกัน ความเร็วลมอาจเปลี่ยนแปลงชั่วคราว

หมายเหตุ: อะแดปเตอร์ไฟฟ้้ากระแสสลับจะไม่ชาร์จแบตเตอรี่ที่ใส่ลงในเครื่องใช้

2. หมุนฝาครอบพัดลมทวนเข็มนาฬิกา จากนั้นถอดฝาครอบพัดลมออกเมื่อเครื่องหยุดตรงตำแหน่งตามภาพ

▶ **หมายเลข 10:** 1. เครื่องหมาย

▶ **หมายเลข 11**

ขีดพัดลมและฝาครอบพัดลมโดยใช้ผ้าชุบน้ำหมาดๆ การติดตั้งฝาครอบพัดลม ให้ปฏิบัติตามขั้นตอนการถอดในแบบย้อนกลับ เมื่อทำการติดตั้งฝาครอบพัดลม ตรวจสอบให้แน่ใจว่าฝาครอบพัดลมถูกล็อกและได้ยินเสียงคลิกแล้ว

⚠ ข้อควรระวัง: ตรวจสอบให้แน่ใจเสมอว่าได้ติดตั้งฝาครอบพัดลมแล้วก่อนใช้งาน

⚠ ข้อควรระวัง: ติดตั้งฝาครอบพัดลมให้แน่น หากติดตั้งฝาครอบพัดลมแบบครึ่งๆ กาล่างๆ หรือไม่ถูกต้อง ฝาครอบอาจหลุดออกและส่งผลให้ได้รับบาดเจ็บหรือทำให้เครื่องใช้เสียหายได้

ข้อสังเกต: หลีกเลี่ยงการออกแรงมากเกินไปกับฝาครอบพัดลม เนื่องจากอาจทำให้ฝาครอบพัดลมแตกหักได้

การเก็บรักษา

เพื่อหลีกเลี่ยงการเกิดไฟไหม้หรือการเผาไหม้ ให้ปล่อยให้เครื่องใช้เย็นลงก่อนทำการเก็บรักษา อย่าเก็บแบตเตอรี่โดยไม่ชาร์จเป็นเวลานาน เนื่องจากจะทำให้ระยะเวลาการใช้งานลดลง

อุปกรณ์เสริม

⚠ ข้อควรระวัง: อุปกรณ์เสริมหรืออุปกรณ์ต่อพ่วงเหล่านี้ได้รับการแนะนำสำหรับใช้งานกับเครื่องใช้ Makita ของคุณที่ระบุไว้ในคู่มือนี้ การใช้อุปกรณ์เสริมหรืออุปกรณ์ต่อพ่วงอื่นๆ อาจทำให้ได้รับบาดเจ็บได้ ใช้อุปกรณ์เสริมหรืออุปกรณ์ต่อพ่วงตามวัตถุประสงค์ที่ระบุไว้เท่านั้น

หากต้องการทราบรายละเอียดเพิ่มเติมเกี่ยวกับอุปกรณ์เสริมเหล่านี้ โปรดสอบถามศูนย์บริการ Makita ใกล้บ้านคุณ

- แบตเตอรี่และเครื่องชาร์จ Makita ของแท้

หมายเหตุ: อุปกรณ์บางรายการอาจจะรวมอยู่ในชุดเครื่องมือเป็นอุปกรณ์มาตรฐาน ซึ่งอาจแตกต่างกันไปในแต่ละประเทศ

การบำรุงรักษา

⚠ ข้อควรระวัง: ตรวจสอบให้แน่ใจเสมอว่าปิดสวิตช์เครื่องใช้ ถอดปลั๊กไฟ และดับแบตเตอรี่ออกแล้วก่อนดำเนินการตรวจสอบหรือบำรุงรักษา

ข้อสังเกต: อย่าใช้น้ำมันเชื้อเพลิง เบนซิน ทินเนอร์ แอลกอฮอล์ หรือวัสดุประเภทเดียวกัน เนื่องจากอาจทำให้สีซีดจาง เสียวรูป หรือแตกร้าวได้

เพื่อความปลอดภัยและนำเอาเชื้อถือของผลิตภัณฑ์ ควรให้ศูนย์บริการหรือโรงงานที่ผ่านการรับรองจาก Makita เป็นผู้ดำเนินการซ่อมแซม บำรุงรักษาและทำการปรับตั้งอื่นๆ นอกจากนี้ให้ใช้อะไหล่ของแท้จาก Makita เสมอ

การบำรุงรักษาทั่วไป

หลังจากเครื่องใช้เย็นลงแล้ว ให้ใช้ผ้าสะอาดเช็ดสิ่งสกปรกฝุ่น น้ำมัน จาระบี ฯลฯ ออก

⚠ คำเตือน: ชิ้นส่วนทั้งหมดควรได้รับการเปลี่ยนที่ศูนย์บริการที่ได้รับการรับรอง

การทำความสะอาดพัดลม

⚠ ข้อควรระวัง: ตรวจสอบให้แน่ใจว่าปิดสวิตช์พัดลมจากแหล่งจ่ายไฟหลักแล้วก่อนถอดที่ป้องกันออก

เมื่อต้องการทำความสะอาดด้านในฝาครอบพัดลม ให้ถอดฝาครอบพัดลมออกด้วยวิธีดังต่อไปนี้

1. คลายสกรูที่อยู่ด้านหลังของฝาครอบพัดลม

▶ **หมายเลข 9:** 1. สกรู

نگهداری

احتیاط: همیشه پیش از بازدید دستگاه یا انجام هرگونه کار نگهداری، آن را خاموش کرده، از برق کشیده و کارتریج باتری را بردارید.

تذکر: هرگز از بنزین، بنزن، تینر، الکل و مواد مشابه استفاده نکنید. امکان تغییر رنگ، تغییر شکل و یا ترک خوردگی وجود خواهد داشت.

به منظور حفظ ایمنی و اطمینان پذیری دستگاه، تعمیرات، کارهای نگهداری و یا تنظیمات باید توسط مراکز خدمات مجاز ماکیتا یا مراکز خدمات کارخانه و فقط با استفاده از قطعات یدکی اصل ماکیتا انجام شوند.

نگهداری عمومی

بعد از خنک شدن دستگاه، از پارچه های تمیز برای زدودن خاک، گرد و غبار، روغن، گریس و غیره استفاده کنید.

تذکر: تعویض تمام قطعات باید توسط یک مرکز خدمات مجاز انجام شود.

تمیز کردن فن

احتیاط: پیش از برداشتن حفاظ باید اطمینان حاصل کنید که پنکه خاموش بوده و از منبع تغذیه توان جدا شده باشد.

برای تمیز کردن داخل قاب پنکه باید قاب پنکه را به شیوه زیر بردارید.

1. پیچ واقع در پشت قاب پنکه را شل کنید.

◀ شکل 9: 1. پیچ

2. قاب پنکه را در جهت خلاف حرکت عقربه های ساعت بچرخانید و سپس موقعی که علامت ها مطابق شکل میزان شدند قاب پنکه را بردارید.

◀ شکل 10: 1. علامت

◀ شکل 11

پنکه و قاب پنکه را با یک دستمال خیس شده در آب صابون تمیز کنید. برای وصل کردن قاب پنکه، روال برداشتن را به ترتیب عکس انجام دهید. هنگام وصل کردن قاب پنکه باید اطمینان حاصل کنید که قاب پنکه با یک کلیک در جای خود قفل شده باشد.

احتیاط: همیشه پیش از استفاده مطمئن شوید که قاب پنکه وصل شده باشد.

احتیاط: قاب پنکه را محکم وصل کنید. اگر قاب پنکه ناقص یا نادرست وصل شده باشد، ممکن است جدا شده و باعث جراحات شخصی یا آسیب دیدن دستگاه شود.

تذکر: از وارد کردن فشار بیش از حد به قاب پنکه خودداری کنید. این کار می تواند باعث شکستن شود.

قرار دادن در محل نگهداری

برای جلوگیری از آتش سوزی یا سوختگی، قبل از اینکه دستگاه را در محل نگهداری بگذارید اجازه دهید کاملاً خنک شود. باتری تخلیه شده را برای مدت خیلی طولانی در محل نگهداری رها نکنید چون عمر مفید آن کاهش خواهد یافت.

لوازم جانبی اختیاری

احتیاط: این وسایل جانبی یا متعلقات برای استفاده با دستگاه ماکیتای شرح داده شده در این دفترچه راهنما مناسب هستند. استفاده از هرگونه لوازم جانبی یا ضامن متفرقه، خطر بروز جراحات را برای افراد به دنبال خواهد داشت. لوازم جانبی یا ضامن را فقط برای کاربرد تعیین شده آنها استفاده کنید.

اگر درباره هریک از این لوازم جانبی به اطلاعات بیشتری نیاز داشتید، با مرکز محلی خدمات ماکیتا تماس بگیرید.

• باتری و شارژر اصل ماکیتا

توجه: برخی از اقلام فهرست ممکن است بعنوان وسایل و متعلقات استاندارد در بسته ابزار قرار داده شده باشند. اینها ممکن است بر حسب کشور محل عرضه محصول متفاوت باشند.

⚠ احتیاط: فن از رزین پلی پروپیلن ساخته شده است. بعضی از انواع عامل های روغنی یا مواد شیمیایی که باعث تجزیه رزین می شوند ممکن است فن را خراب کرده و باعث جراثیم شوند.

راه اندازی/متوقف کردن پنکه

برای روشن کردن پنکه، دکمه روشن خاموش را فشار دهید. برای خاموش کردن پنکه، دکمه روشن خاموش را دوباره فشار دهید.

تغییر دادن سرعت باد

در حالیکه پنکه کار می کند، دکمه تغییر سرعت باد را فشار دهید. هر بار که دکمه را فشار دهید سرعت باد افزایش خواهد یافت. اگر در بیشترین سرعت کار کند، سرعت باد به پایین ترین سرعت باز خواهد گشت. پنکه شارژی در همان سرعتی شروع به کار خواهد کرد که قبلاً تنظیم شده است. **⚡ شکل: 1.** دکمه تغییر سرعت باد

این دستگاه مجهز به یک سیستم محافظت است. این سیستم به منظور بیشتر کردن عمر دستگاه و باتری، توان ورودی به موتور را بطور خودکار قطع می کند. اگر دستگاه و یا باتری در یکی از شرایط زیر قرار بگیرند، کارکرد دستگاه بطور خودکار متوقف خواهد شد.

- محافظت در برابر اضافه بار: اگر به گونه ای با دستگاه یا باتری کار شود که بیش از حد و غیرعادی جریان بکشد، دستگاه بدون هیچگونه اعلام و نشانه ای بطور خودکار متوقف خواهد شد. در این حالت، دستگاه را خاموش کرده و کاری که باعث وارد آمدن اضافه بار به دستگاه شده است را متوقف نمایند. سپس برای شروع دوباره دستگاه را روشن کنید.
- محافظت در برابر گرم شدن بیش از حد: اگر دستگاه یا باتری بیش از حد گرم شوند، دستگاه بطور خودکار متوقف خواهد شد. پیش از روشن کردن دوباره دستگاه، اجازه دهید خنک شود.
- محافظت در برابر تخلیه بیش از حد: اگر ظرفیت باتری کم شود، دستگاه بطور خودکار متوقف خواهد شد. اگر دستگاه حتی موقعی که کلهپایه آنرا بکار می برید کار نمی کند، کارتریج باتری را از دستگاه جدا کرده و آنرا شارژ کنید.

تنظیم زاویه سر پنکه

زاویه سر پنکه بطور دستی قابل تنظیم می باشد. دامنه قابل تنظیم حرکت سر پنکه در شکل نشان داده شده است. **⚡ شکل: 5**

تذکر: سر پنکه را بیشتر از دامنه حرکت قابل تنظیم آن نچرخانید.

استفاده از آداپتور برق متناوب

⚠ هشدار: اگر سیم یا دوشاخه آسیب دیده اند هرگز نباید از دستگاه استفاده کنید.

⚠ هشدار: دوشاخه را با دستان خیس یا چرب لمس نکنید.

⚠ هشدار: اگر دوشاخه هنوز به برق وصل است نباید آداپتور برق متناوب را از دستگاه جدا کنید. بچه های کوچک ممکن است دوشاخه برق دار را به دهان نبرند و مجروح شوند.

⚠ هشدار: دوشاخه یا سیم برق دار را به دهان نبرید. انجام این کار می تواند باعث برق گرفتگی شود.

فیش 12V برق مستقیم آداپتور برق متناوب را به سوکت 12V برق مستقیم وصل کرده و سپس بین های برق متناوب را به منبع تغذیه توان اصلی وصل کنید. مطمئن شوید که رده بندی ولتاژ منبع تغذیه توان اصلی با آداپتور مطابقت داشته باشد. **⚡ شکل: 8**

توجه: بعد از اینکه آداپتور برق متناوب وصل شد، دستگاه شاید برای شروع به 3 تا 5 ثانیه زمان نیاز داشته باشد.

توجه: در صورتی که از آداپتور برق متناوب بعنوان منبع تغذیه استفاده شود شاید صدای جبر جبر از آن به گوش برسد. این حالت تأثیری در روند استفاده عادی ندارد.

توجه: حتی اگر دستگاه در حالت برق مستقیم باشد، در صورتی که آنرا به برق وصل کنید بطور خودکار به حالت برق متناوب خواهد رفت.

توجه: هنگامی که پنکه شارژی از حالت برق مستقیم به حالت برق متناوب و یا بالعکس می رود، امکان دارد سرعت باد موقتاً تغییر کند.

توجه: آداپتور برق متناوب باتری قرار داده شده در دستگاه را شارژ نمی کند.

حرکت نوسانی سر پنکه

⚠ احتیاط: اگر سر پنکه حرکت نوسانی می کند باید موانع را از دامنه حرکت سر پنکه بردارید. امکان فشار داده شدن و افتادن پنکه شارژی بر اثر حرکت نوسانی وجود دارد.

⚠ احتیاط: سعی نکنید با گرفتن سر پنکه حرکت نوسانی را متوقف کنید. برای متوقف کردن باید همیشه دکمه حرکت نوسانی را فشار دهید.

اینکه سر پنکه حرکت نوسانی داشته باشد باید دکمه حرکت نوسانی را فشار دهید. برای متوقف ساختن حرکت نوسانی دوباره دکمه را فشار دهید. هرگاه دکمه حرکت نوسانی را فشار دهید، سر پنکه از موقعیت کنونی شروع به حرکت نوسانی خواهد کرد. دامنه حرکت نوسانی سر پنکه 90 درجه می باشد.

⚡ شکل: 6. 1. دکمه حرکت نوسانی

توجه: بسته به موقعیت سر پنکه، این امکان وجود دارد که حرکت نوسانی سر پنکه بخاطر مکانیسم حرکت نوسانی بعد از فشار داده شدن دکمه حرکت نوسانی زود شروع نشود.

تایمر خاموش کردن خودکار

دکمه تایمر خاموش کردن خودکار را موقعی که پنکه کار می کند فشار دهید. مدت زمان فعال شدن تایمر خاموش شدن خودکار هر بار که دکمه را فشار می دهید تغییر می کند (1 ساعت / 2 ساعت / 4 ساعت / خاموش). عدد زیر هر نشانگر تایمر خاموش کردن خودکار تعداد ساعت(های) باقیمانده تا خاموش شدن پنکه را نشان می دهد. نشانگر تایمر خاموش کردن خودکار با زمان خاموش خواهد شد.

⚡ شکل: 7. 1. دکمه تایمر خاموش کردن خودکار

توجه: امکان دارد تایمر خاموش شدن خودکار بسته به نوع کارتریج باتری و ظرفیت باقیمانده، زودتر از زمان تعیین شده فعال گردد.

⚠ احتیاط: فقط از باتری های اصل ماکیتا استفاده کنید. استفاده کردن از باتری های غیر اصل ماکیتا، یا باتری هانی که دستکاری شده اند می توانند باعث ترکیدن باتری و ایجاد آتش سوزی، جراحت شخصی و یا خسارت شوند. همچنین گارانتی ماکیتا را برای ابزار و شارژر ماکیتا باطل خواهد کرد.

نکاتی برای به حداکثر رساندن عمر باتری

1. کارتریج باتری را پیش از اینکه کاملاً تخلیه شود شارژ کنید. اگر متوجه افت توان ابزار شدید، همیشه باید کار با ابزار را متوقف کرده و کارتریج باتری را شارژ کنید.
2. هرگز یک کارتریج باتری را که شارژ کامل دارد دوباره شارژ نکنید. شارژ بیش از حد عمر مفید باتری را کاهش می دهد.
3. کارتریج باتری را در دمای اتاق بین 10 تا 40 درجه سانتیگراد (50 تا 104 درجه فارنهایت) شارژ کنید. اگر کارتریج باتری داغ است ابتدا بگذارید خنک شود بعد آنرا شارژ کنید.
4. هنگامی که از کارتریج باتری استفاده نمی کنید، آنرا از ابزار یا شارژر خارج کنید.
5. اگر از کارتریج باتری برای مدت طولانی استفاده نمی کنید (بیشتر از شش ماه) آنرا شارژ کنید.

معرفی اجزا و قطعات

◀ شکل 1

1	دکمه روشن خاموش	2	دکمه تغییر سرعت باد	3	دکمه تایمر خاموش کردن خودکار
4	دکمه حرکت نوسانی	5	نشانگر سرعت باد	6	نشانگر تایمر خاموش کردن خودکار
7	شکاف باتری	8	سوکت 12V برق مستقیم	9	اداپتور برق متناوب

نمایش ظرفیت باقیمانده باتری

برای اینکه ظرفیت باقیمانده باتری نمایش داده شود، دکمه بررسی روی کارتریج باتری را فشار دهید. چراغ های نشانگر برای چند ثانیه روشن خواهند شد.

◀ شکل 3: 1. چراغ های نشانگر 2. دکمه بررسی

تشریح عملکرد دستگاه

⚠ احتیاط: پیش از تنظیم کردن دستگاه با بررسی قابلیت های مختلف آن باید دقت کنید که همیشه دستگاه را خاموش کرده و کارتریج باتری آنرا جدا کرده باشید.

قرار دادن یا برداشتن کارتریج باتری

⚠ احتیاط: همیشه پیش از قرار دادن یا برداشتن کارتریج باتری باید دستگاه را خاموش کنید.

⚠ احتیاط: هنگام قرار دادن یا برداشتن کارتریج باتری، دستگاه و کارتریج باتری را محکم نگه دارید. محکم نگرفتن دستگاه و کارتریج باتری باعث می شود از دست شما بیافتند و در نتیجه با صدمه دیدن دستگاه و کارتریج باتری و جراحت شخصی روبرو خواهید شد.

برای برداشتن کارتریج باتری، در حالی که دکمه جلوی کارتریج را کشیده اید آنرا از دستگاه بیرون بکشید.

برای نصب کارتریج باتری، زبانه روی کارتریج باتری را با شیار جایگاه تراز کرده و آنرا در جای خود بگذارید. آنرا تا انتها وارد کنید تا با یک صدای کلیک خفیف در جای خود قفل شود.

◀ شکل 2: 1، 2. دکمه کارتریج باتری

ظرفیت باقیمانده	چراغ های نشانگر		
	چشمک زن	خاموش	روشن
75% تا 100%	■	■	■
50% تا 75%	■	■	□
25% تا 50%	■	□	□
0% تا 25%	■	□	□
باتری را شارژ کنید.	■	□	□
باتری احتمالاً اشکال دارد.	■	□	□

توجه: بسته به شرایط استفاده و دمای محیطی، این امکان وجود دارد که مقادیر نشان داده شده با ظرفیت واقعی کمی متفاوت باشند.

توجه: هنگامی که سیستم محافظت باتری کار بکند، چراغ نشانگر اول (منتهی الیه سمت چپ) چشمک خواهد زد.

⚠ احتیاط: همیشه کارتریج باتری را تا آخر وارد کنید. در غیر اینصورت امکان دارد که تصادفاً از دستگاه جدا شده و بیافتد و شما یا اطرافیان شما را متضرر کند.

⚠ احتیاط: کارتریج باتری را با توسل به زور قرار ندهید. اگر کارتریج باتری بر راحتی در جای خود قرار نمی گیرد، روش قرار دادن صحیح نیست.

راهنمایی های مهم ایمنی برای کارتریج باتری

1. پیش از اینکه از کارتریج باتری استفاده کنید، کلیه دستورالعملها و علائم هشداردهنده درج شده روی (1) شارژر باتری، و (2) باتری و (3) محصول استفاده کننده از باتری را مطالعه نمایید.
2. کارتریج باتری را باز نکرده یا دستکاری نکنید. این کار می تواند موجب آتش سوزی، گرمای بیش از حد یا انفجار شود.
3. اگر زمان کارکردن بیش از اندازه کوتاه شده است، فوراً کار را متوقف کنید. در این حالت خطر داغ شدن بیش از حد، سوختگی احتمالی و حتی انفجار وجود دارد.
4. اگر الکترولیت وارد چشم شما شد، با آب تمیز آنرا از چشم خود خارج کرده و فوراً به پزشک مراجعه نمایید. خطر از دست دادن بینایی وجود دارد.
5. کارتریج باتری را اتصال کوتاه نکنید:
 - (1) پایانه ها را با مواد هادی لمس نکنید.
 - (2) کارتریج باتری را نباید در کنار اشیای فلزی دیگر مانند میخ، سکه و غیره و یک جعبه یا قوطی کنار هم نگهداری کنید.
 - (3) کارتریج باتری را در معرض آب یا باران قرار ندهید.
6. اتصال کوتاه باتری می تواند باعث برقراری جریان قوی، گرم شدن بیش از حد، سوختگی احتمالی و حتی خرابی شود.
7. ابزار و کارتریج باتری را نباید در مکانی که دمای آن به 50 درجه سانتیگراد (122 درجه فارنهایت) می رسد یا از آن بالاتر می رود نگهداری و استفاده کنید.
8. کارتریج باتری را تحت هیچ شرایطی اگر به شدت آسیب دیده یا بطور کامل از رده خارج شده باشد، نوسوزانید. کارتریج باتری در آتش متفجر خواهد شد.
9. به کارتریج باتری میخ نزنید، آنرا نبرید، له نکنید، پرتاب نکرده و آنرا نبندازید، یا با یک جسم سخت به کارتریج باتری ضربه وارد نکنید. این کارها می تواند موجب آتش سوزی، گرمای بیش از حد یا انفجار شود.
10. از یک باتری آسیب دیده استفاده نکنید.
11. باتری های یون-لیتیوم موجود مشمول الزامات قوانین کالاهای خطرناک می باشند.
 1. الزامات ویژه بسته بندی و برچسب زدن باید در حمل های تجاری، بعنوان مثال مثال توسط طرف های ثالث و شرکت های حمل رعایت گردند.
 2. برای آماده ساختن وسیله جهت حمل باید حتماً با یک متخصص مواد خطرناک مشورت کرد. در صورت وجود قوانین مشروح تر کشوری باید آنها را نیز رعایت کنید.
 3. روی کنتاکت ها نوار چسببند یا آنها را بپوشانید و باتری را طوری بسته بندی کنید که نتواند در بسته بندی به اطراف جابجا شود.
 4. هنگام دور انداختن کارتریج باتری، آنرا از ابزار خارج کرده و در مکانی امن دور بیندازید. قوانین و مقررات محلی خود در ارتباط با دور انداختن باتری را رعایت کنید.
12. باتری ها را فقط با دستگاه های مشخص شده توسط ماکیتا استفاده کنید. قرار دادن باتری ها در دستگاه های فاقد سازگاری می تواند منجر به آتش سوزی، گرم شدن بیش از حد، انفجار، یا نشتی الکترولیت شود.
13. اگر از ابزار برای مدت طولانی استفاده نمی شود، باید باتری را از ابزار خارج سازید.
14. کارتریج باتری ممکن است در طول استفاده و بعد از آن گرم باشد و باعث سوختگی یا سوختگی های دما پایین شود. موقع دست زدن به کارتریج های باتری داغ توجه داشته باشید.
15. درست بعد از استفاده نباید به پایانه ابزار دست بزنید چون می تواند انفجار داغ باشد که باعث سوختگی شود.
16. اجازه ندهید تراشه ها، گرد و غبار یا خاک در پایانه ها، سوراخ ها و شیارهای کارتریج باتری جمع شوند. این امر می تواند باعث افت عملکرد یا خرابی ابزار یا کارتریج باتری شود.
17. از کارتریج باتری در نزدیکی خطوط برق فشار قوی استفاده نکنید. مگر اینکه ابزار قابلیت استفاده در مجاورت خطوط برق فشار قوی را داشته باشد. این امر می تواند باعث بروز اشکالات کاری یا خرابی ابزار یا کارتریج باتری شود.
18. باتری را از دسترس کودکان خارج سازید.

این راهنمایی ها را نگهداری کنید.

6. بسته باتری یا ابزار را در معرض آتش یا دمای خیلی زیاد قرار ندهید. قرار دادن در معرض آتش یا دمای بالای 130 درجه سانتیگراد می تواند موجب انفجار شود.
7. تمام دستورالعمل های شارژ کردن را رعایت کرده و بسته باتری یا ابزار را در خارج از محدوده دمای مشخص شده در دستورالعمل ها شارژ نکنید. شارژ کردن به روش نادرست یا در دمای خارج از محدوده مشخص شده می تواند به باتری آسیب رسانده و خطر آتش سوزی را بالا ببرد.

استفاده و نگهداری از پنکه شارژی

1. برای هر کار از پنکه شارژی مناسب برای آن استفاده کنید. از پنکه برای منظوری که جهت آن طراحی نشده است استفاده نکنید.
2. این دستگاه می تواند با کارتریج باتری یون لیتیوم ماکیتا که در بخش «مشخصات فنی» این دفترچه راهنما معرفی شده است یا با آداپتور برق متناوب کار کند. استفاده کردن از باتری های دیگر می تواند به بروز خطر آتش سوزی منجر شود. باتری ها را فقط با شارژر مشخص شده شارژ کنید. شارژی که برای یک نوع باتری مناسب باشد می تواند در صورت استفاده با یک باتری دیگر خطر آتش سوزی ایجاد نماید.
3. وقتی از دستگاه استفاده نمی شود آنرا دور از دسترس کودکان و سایر افرادی که آموزش ندیده اند نگه دارید.
4. قبل از قرار دادن دستگاه در محل نگهداری آن، انجام هرگونه بازدید، امور نگهداری و یا روال های تمیزکاری باید کارتریج باتری را خارج کرده و آداپتور برق متناوب را از برق جدا کنید. رعایت این نکات پیشگیرانه ایمنی از روشن شدن ناخواسته و اتفاقی دستگاه جلوگیری خواهد کرد.
5. اگر از کارتریج باتری استفاده نمی کنید باید آنرا از اشیای فلزی دور نگه دارید. اتصال کوتاه پایانه های باتری می تواند باعث جرقه زدن، سوختگی یا آتش سوزی شود.
6. قبل از انجام هرگونه بازدید، امور نگهداری، روال های تمیزکاری یا قرار دادن در محل نگهداری باید دستگاه را از منبع برق جدا کرده و بگذارید خنک شود.
7. نگذارید سطح آشنائی شما با دستگاه ها باعث بشود بی دقتی کنید. به یاد داشته باشید کسری از ثانیه بی دقتی برای رخ دادن جراحت های جدی کافی است.
8. همیشه دستگاه را روی یک سطح تخت و مستحکم قرار دهید. اگر دستگاه بیابند، می تواند باعث جراحت شخصی یا آسیب دیدن دستگاه شود.
9. از باتری ها، متعلقات یا لوازم جانبی که توسط سازنده این دستگاه توصیه نشده اند استفاده نکنید. استفاده از باتری ها، متعلقات یا لوازم جانبی توصیه نشده خطر بروز جراحت های شدید را به دنبال خواهد داشت.
10. مو یا پوشاک غیرچسبان مانند شال خود را از پنکه دور نگهدارید. ممکن است به ناگاه در پنکه گیره کرده و باعث بروز جراحت شخصی شود.
11. قبل از بلند کردن یا حمل دستگاه باید همیشه دقت کنید که کلید در وضعیت خاموش باشد. اگر دستگاه را در حالیکه انگشت شما روی کلید است حمل کنید، احتمال رخ دادن حادثه بسیار زیاد خواهد بود.
12. سعی نکنید دستگاه یا کارتریج باتری را دستکاری یا تعمیر کنید مگر در مواردی که در دستورالعمل های استفاده و نگهداری ذکر شده است.

سرویس

1. سرویس این دستگاه فقط باید توسط پرسنل تعمیراتی واجد صلاحیت انجام شود. کار های سرویس یا نگهداری انجام شده توسط پرسنل فاقد صلاحیتی می تواند باعث بروز خطر جراحت شود.
2. هنگام سرویس این دستگاه فقط از قطعات یدکی کاملاً یکسان استفاده کنید. استفاده از قطعات غیرمجاز یا عدم رعایت دستورالعمل های نگهداری می تواند باعث بروز خطر برق گرفتگی یا جراحت شود.
3. این دستگاه را نباید حتی اگر به شدت آسیب دیده است بسوزانید. باتری ها در آتش متفجر خواهند شد. دستگاه را با رعایت کلیه قوانین محلی دور بریزید.

علام و نشانه ها

در اینجا علام و نشانه هایی را مشاهده خواهید کرد که ممکن است برای این دستگاه بکار رفته باشند. پیش از استفاده باید حتماً از معنی آنها آگاه باشید.



دقت فرجه راهنما را مطالعه کنید.



فقط برای کشورهای عضو اتحادیه اروپا (EU) به دلیل وجود اجزای خطرناک در این دستگاه، لوازم مستعمل الکتریکی و الکترونیکی، انباره ها و باتری ها می توانند بر محیط زیست و سلامتی انسانها اثر منفی داشته باشند.

لوازم الکتریکی و الکترونیکی یا باتری ها را همراه با ضایعات و زباله های خانگی دور نیندازید! در تطبیق با مصوبه اروپایی درباره لوازم مستعمل الکتریکی و الکترونیکی و انباره ها و باتری ها و انباره ها و باتری های مستعمل، و اجرای آنها با توجه به مقررات و قوانین کشوری، لوازم مستعمل الکتریکی و الکترونیکی، انباره ها و باتری ها و انباره ها و باتری های مستعمل نباید جداگانه نگهداری شده و به یک محل جمع آوری مجزا برای ضایعات شهری یا مطابق با قوانین و مقررات محافظت از محیط زیست کار می کند، تحویل شوند. این موضوع با علامت سطل زباله خردکن ضربه خورده روی دستگاه مشخص گردیده است.



فقط برای کشورهای عضو اتحادیه اروپا (EU) روش صحیح دور انداختن این محصول

این علامت نشان می دهد که این محصول نباید در سراسر اتحادیه اروپا جزو زباله های خانگی دور انداخته شود. برای جلوگیری از صدمات احتمالی به محیط زیست و سلامت انسان ها بر اثر دور انداختن کنترل نشده ضایعات و زباله ها، لطفاً آنها را با رعایت مسئولیت بازیافت کنید تا زمینه برای استفاده مجدد دوام پذیر از مواد فراهم گردد. برای بازگرداندن وسیله استفاده شده خود، لطفاً از سیستم های بازگرداندن و جمع آوری استفاده کرده و یا با فروشنده ای که محصول را از آنجا خریدید اید تماس بگیرید. آنها می توانند محصول را برای بازیافت به شیوه ای ایمن برای محیط زیست از شما تحویل بگیرند. به دلیل وجود اجزای خطرناک در این دستگاه، لوازم الکتریکی و الکترونیکی استفاده شده می توانند بر محیط زیست و سلامتی انسانها اثر منفی داشته باشند.

موارد استفاده

این دستگاه برای تولید جریان هوا می باشد.

هشدارهای ایمنی

برای جلوگیری از بروز جراحات جدی، لطفاً تمام هشدارها و راهنمایی ها را پیش از استفاده مطالعه کرده و آنها را درک نمایید.

برای هشدارهای ایمنی و نکات احتیاطی، مونتاژ، طرز کار، بازرسی و روال های نگهداری به این راهنما نیاز خواهید داشت. این راهنما را برای استفاده آتی در مکانی محفوظ و خشک نگهداری کنید.

راهنمایی های مهم ایمنی

هنگام استفاده از لوازم برقی باید نکات احتیاطی اساسی، شامل موارد زیر را رعایت کرد:

کلیه راهنمایی ها را پیش از استفاده از این دستگاه مطالعه کنید.

هشدار

برای کاستن از خطر آتش سوزی، برق گرفتگی و با جراحات:

1. در معرض باران قرار ندهید. در داخل ساختمان نگهداری کنید.
2. اجازه ندهید از دستگاه بعنوان اسباب بازی استفاده شود. اگر توسط کودکان و یا نزدیک کودکان استفاده می شود باید توجه و دقت کافی داشته باشید.

3. همیشه فقط مطابق با توضیحات ذکر شده در این راهنما استفاده کنید. فقط از متعلقات توصیه شده توسط سازنده استفاده کنید.
4. با باتری آسیب دیده استفاده نکنید. اگر دستگاه مطابق انتظار کار نمی کند، به زمین افتاده، آسیب دیده، در فضای آزاد قرار داده شده، یا در آب افتاده است، آنرا به یکی از مراکز خدمات ارجاع دهید.
5. با دست های خیس با دستگاه کار نکنید.
6. هیچ چیز داخل دهانه ها قرار ندهید.
7. موی لباس گشاد، انگشت و تمام قسمت های بدن را از دهانه ها و بخش های متحرک دور نگاهدارید.
8. پیش از برداشتن باتری تمام کنترل ها را خاموش کنید.
9. فقط از آداپتور برق متناوب یا شارژر ارائه شده توسط سازنده استفاده کنید. متعلقاتی که برای این دستگاه مناسب هستند شاید در صورت استفاده با دستگاه های دیگر خطرناک باشند.
10. باتری را بیرون از ساختمان شارژ نکنید.
11. در معرض آتش یا دماهای بالا قرار ندهید.
12. در مجاورت شعله های باز، خاکه زغال روشن یا محیط های انفجاری، مانند محیط های حاوی مایعات، گاز ها یا بخارهای قابل اشتعال استفاده نکنید. دستگاه جرقه هایی تولید می کند که می تواند بخارات یا بخارها را شعله ور سازد.
13. هرگز از دستگاه در مکان های مرطوب مانند داخل حمام استفاده نکنید.

این دستگاه فقط برای استفاده در فضای داخلی ساختمان طراحی شده است. هرگز از دستگاه در بیرون از ساختمان استفاده نکنید.

این دستگاه فقط برای استفاده خانگی است.

پیش از استفاده، این دفترچه راهنما و دفترچه راهنمای شارژر را با دقت مطالعه کنید.

اگر متوجه هر مسئله غیر عادی شدید، کار را فوراً متوقف کنید.

اگر دستگاه از دست شما به زمین افتاد یا به جایی برخورد کرد، باید پیش از شروع کار آنرا با دقت بررسی کرده و به دنبال نشانه های ترک خوردگی یا آسیب دیدگی باشید.

دستگاه را به اجاق های خوراک پزی یا سایر منابع گرم از نزدیک نکنید.

در صورت وجود قسمت های شکسته، خم شده، ترک خورده یا آسیب دیده استفاده نکنید. در دستگاه که به هر ترتیب آسیب دیده به نظر برسد یا غیر عادی کار کند باید فوراً از سرویس خارج شود. قبل از هر بار کار بازدید کنید.

دستگاه را در حالت فعال و بدون نظارت رها نکنید.

از آداپتور برق متناوب استفاده نادرست نکنید. هرگز از سیم آداپتور برای حمل دستگاه یا کشیدن دو شاخه از پریز استفاده نکنید. آداپتور برق متناوب را از گرمای، روغن، لکه های تیز یا اجزا و بخشهای متحرک دور نگاهدارید. آداپتور آسیب دیده را فوراً عوض کنید. آداپتور آسیب دیده خطر برق گرفتگی را افزایش می دهد.

استفاده و نگهداری از ابزار شارژی

1. عمل شارژ را فقط با شارژری که سازنده معین کرده است انجام دهید. شارژی که برای یک نوع بسته باتری مناسب باشد می تواند در صورت استفاده با یک بسته باتری دیگر خطر آتش سوزی ایجاد نماید.

2. ابزارهای الکتریکی را فقط با بسته های باتری تعیین شده اختصاصی آنها استفاده کنید. استفاده کردن از بسته های باتری دیگر می تواند به بروز خطر جراحات یا آتش سوزی منجر شود.

3. هنگامی که بسته باتری تحت استفاده نیست، آنرا از سایر اشیای فلزی مانند گیره کاغذ، سکه، کلید، میخ، پیچ یا سایر اشیای فلزی کوچک که می توانند باعث اتصال دو پایانه بهم شوند دور نگه دارید. اتصال کوتاه پایانه های باتری می تواند باعث سوختگی یا آتش سوزی شود.

4. در شرایط نامناسب، امکان دارد مایعی از باتری به بیرون تراوش کند؛ از تماس با آن احتراز کنید. اگر تصادفاً تماس حاصل شد، با آب بشویید. اگر این منابع با چشمان شما تماس پیدا کرد به پزشک نیز مراجعه کنید. مایعی که از باتری تراوش می کند می تواند باعث تحریک و یا سوختگی شود.

5. اگر ابزار یا بسته باتری آسیب دیده یا اصلاح شده اند هرگز نباید از آنها استفاده کنید. باتری های آسیب دیده یا اصلاح یافته ممکن است عملکرد غیرقابل پیش بینی داشته باشند که منجر به آتش سوزی، انفجار یا بروز خطر جراحات خواهد شد.

هشدار

- برای کاربران در اروپا: این وسیله توسط کودکان از سن 8 سال به بالا و اشخاص دارای توانایی جسمانی، حسی و یا ذهنی محدود و یا افراد فاقد تجربه و دانش قابل استفاده می باشد به شرطی که به روشی ایمن درباره طرز کار وسیله آموزش ببینند و یا تحت نظارت با وسیله کار کنند و خطرات موجود را درک نمایند. کودکان نباید با وسیله بازی کنند. تمیز کردن و موارد نگهداری توسط کاربر نبایستی بدون نظارت توسط کودکان انجام شود.
- برای کاربران در نقاطی بغیر از اروپا: این وسیله برای استفاده افراد (شامل کودکان) دارای ناتوانی های جسمانی، حسی یا ذهنی، و یا افرادی که فاقد تجربه و دانش لازم هستند مناسب نیست، مگر آنکه تحت نظارت با وسیله کار کنند و یا فردی که مسئول ایمنی آنهاست تعلیمات لازم را در خصوص استفاده از وسیله به آنها بدهد. کودکان باید همواره تحت سرپرستی باشند تا مطمئن شوید با وسیله بازی نمی کنند.

مشخصات فنی

این پنکه مجهز به سیستم کنترل 3 سرعته، قابلیت نوسان سر پنکه و تایمر خاموش کردن خودکار می باشد. منبع تغذیه دستگاه می تواند کارتریج باتری ماکیتا یا یک آداپتور برق متناوب باشد.

مدل: CF002G		ولتاژ اسمی	
D.C. 36 V - 40 V حداکثر		آداپتور برق متناوب	
1.2 A, 50 / 60 Hz, 100 - 240 V حداکثر		ورودی	
3.5 A, 12 V		خروجی	
261 x 439 x 602 mm		ابعاد (ارتفاع x عرض x طول)	
3.8 kg		وزن خالص (بدون کارتریج باتری)	

- به دلیل اجرای برنامه های مستمر تحقیقات و توسعه امکان دارد مشخصات فنی ذکر شده بدون اعلام قبلی تغییر یابند.
- مشخصات فنی ممکن است بر حسب کشور محل عرضه محصول متفاوت باشد.

کارتریج باتری و شارژر قابل استفاده

BL4050F / BL4040 / BL4025 / BL4020	کارتریج باتری
DC40RC / DC40RB / DC40RA	شارژر

- بعضی از کارتریج های باتری و شارژرهای ذکر شده در بالا ممکن است بسته به منطقه محل سکونت شما در دسترس نباشند.

⚠ هشدار: فقط از کارتریج های باتری و شارژرهای ذکر شده در بالا استفاده کنید. استفاده از کارتریج های باتری و شارژرهای دیگر می تواند خطر جراثحت و/یا آتش سوزی را به دنبال داشته باشد.

مدت کار باتری

جدول زیر مربوط به برخی از کارتریج های باتری ماکیتا می باشند. مدت کار تخمینی باتری دارای شارژ کامل در زیر عنوان شده است:

سرعت باد			کارتریج باتری
کم	متوسط	زیاد	
640 min	400 min	200 min	BL4025
1020 min	640 min	320 min	BL4040

الملحقات الاختيارية

⚠ تنبيه: يوصى باستخدام هذه الملحقات أو المستلزمات مع جهاز **Makita** المحدد في هذا الدليل. فاستعمال أية ملحقات أو مستلزمات أخرى قد يعرض الأشخاص لخطر الإصابة. ولا تستعمل أية ملحقات أو مستلزمات إلا للغرض المعين لها.

إذا كنت بحاجة إلى أي مساعدة للحصول على مزيد من التفاصيل حول هذه الملحقات، فالرجاء الاستفسار من مركز خدمة **Makita** المحلي.

- شاحن وبطارية **Makita** الأصليان

ملاحظة: قد تكون بعض العناصر الواردة بهذه القائمة مرفقة داخل عبوة الأداة كملحقات قياسية. وقد تختلف من بلد لآخر.

ضبط زاوية رأس المروحة

يمكن ضبط رأس المروحة يدويًا. نطاق ضبط رأس المروحة مبين في الشكل 5.

الشكل 5

إشعار: لا تقم بتدوير رأس المروحة بعيدًا عن نطاق الضبط.

اهتزاز رأس المروحة

تنبيه: عند اهتزاز رأس المروحة، أزل أي عوائق في نطاق حركة رأس المروحة. فقد تتدفق المروحة اللاسلكية وتسبب الارتفاع.

تنبيه: لا توقف الاهتزاز من خلال تثبيت رأس المروحة. اضغط دائمًا على زر الاهتزاز لإيقافه.

اضغط على زر الاهتزاز حتى يهتز رأس المروحة. اضغط على الزر مرة أخرى لإيقاف الاهتزاز. تبدأ رأس المروحة في الاهتزاز من الموضع الحالي عند الضغط على زر الاهتزاز. تهتز رأس المروحة في نطاق من 90 درجة. **الشكل 6: 1.** زر الاهتزاز

ملاحظة: بناءً على وضع رأس المروحة، قد لا تهتز رأس المروحة بمجرد الضغط على زر الاهتزاز، والسبب الية الاهتزاز.

مؤقت إيقاف التلقائي

اضغط على زر مؤقت الإيقاف التلقائي أثناء تشغيل المروحة. تتغير مدة تفعيل مؤقت الإيقاف التلقائي في كل مرة تضغط فيها على الزر (ساعة واحدة / ساعتان / 4 ساعات/ إيقاف). يشير الرقم أسفل كل مؤشر مؤقت الإيقاف التلقائي إلى عدد الساعات المتبقية لإيقاف تشغيل المروحة. ينطفئ مؤشر مؤقت الإيقاف التلقائي بعد فترة. **الشكل 7: 1.** زر مؤقت الإيقاف التلقائي

ملاحظة: بناءً على نوع صندوق البطارية وسعته المتبقية، قد يتم تشغيل مؤقت الإيقاف التلقائي قبل الوقت المضبوط.

استخدام مهايئ التيار المتردد

تحذير: لا تستخدم الجهاز عندما يكون السلك أو القابض تالفاً.

تحذير: لا تضع القابض في المقيس بين ممثلة أو بها شحم.

تحذير: لا تترك مهايئ التيار المتردد مفصلاً عن الجهاز أثناء إمداد الجهاز بالكهرباء من الخط الرئيسي. فقد يضع الأطفال الصغار القابض المتصل بالتيار في أفواههم مما قد يسبب لهم إصابة.

تحذير: لا تضع سلكاً أو قابساً متصلاً بالتيار في فمك. فقد يؤدي ذلك إلى صدمة كهربائية.

قم بتركيب قابس 12V DC خاص بمهايئ التيار المتردد في مقيس 12V DC، ثم قم بتوصيل أسنان قابس التيار المتردد في مصدر الإمداد بالطاقة. تأكد من أن تصنيف الفولتية الخاص بمصدر الإمداد بالطاقة مطابق لتصنيف المهايئ. **الشكل 8**

ملاحظة: بعد توصيل مهايئ التيار المتردد، قد يستغرق الجهاز 3-5 ثوانٍ حتى يبدأ.

ملاحظة: قد يصدر المهايئ صوت صرير أثناء استخدام مصدر الإمداد بالطاقة، ولا يؤثر ذلك على الاستخدام العادي.

ملاحظة: حتى في حالة التشغيل في وضع طاقة التيار المباشر، فإن الجهاز يتغير تلقائياً إلى وضع طاقة التيار المتردد عند توصيله بالقابض.

ملاحظة: عندما تقوم المروحة اللاسلكية بتغيير وضع الطاقة من تيار مباشر إلى تيار متردد، والعكس، فإن سرعة الرياح تتغير بشكل مؤقت.

ملاحظة: لا يشحن مهايئ التيار المتردد هذا البطارية التي تم تركيبها في الجهاز.

الصيانة

تنبيه: تأكد دائماً من إيقاف تشغيل الجهاز، ونزع القابض، وإزالة صندوق البطارية قبل محاولة فحصه أو صيانته.

إشعار: تجنب استخدام الجازولين أو البنزين أو التتر أو الكحول أو ما شابه. فقد ينتج عن ذلك تغير لون الجهاز أو تشوه شكله أو تشققه.

للحفاظ على سلامة المنتج وموثوقيته، يجب إجراء أية عمليات إصلاح أو أية إجراءات صيانة أو ضبط أخرى لدى مراكز خدمة المصنع أو Makita المعتمدة، ونوصي دوماً باستعمال قطع غيار من إنتاج Makita.

الصيانة العامة

بعد تبريد الجهاز، استخدم قطعة قماش نظيفة لإزالة الغبار والأتربة والزيوت والشحم، وما إلى ذلك.

تحذير: ينبغي استبدال جميع الأجزاء لدى مركز خدمة معتمد.

تنظيف المروحة

تنبيه: تأكد من فصل المروحة عن مصدر الإمداد بالكهرباء قبل إزالة الواقى.

عد تنظيف غطاء المروحة من الداخل، أزل غطاء المروحة بالطريقة التالية.

- قم بالفك البرغي الموجود خلف غطاء المروحة. **الشكل 9: 1.** البرغي

- أدر غطاء المروحة في عكس اتجاه عقارب الساعة وأزل غطاء المروحة عند محاذاة العلامات، كما هو موضح في الرسم. **الشكل 10: 1.** العلامة

الشكل 11

امسح المروحة وغطاء المروحة بقطعة قماش مبللة بالماء والصابون. لتركيب غطاء المروحة، اتبع إجراءات الإزالة بترتيب معكوس. عند تركيب غطاء المروحة، تأكد من تثبيت غطاء المروحة وصدور صوت نقرة.

تنبيه: تأكد دائماً من تركيب غطاء المروحة قبل بدء الاستخدام.

تنبيه: قم بتركيب غطاء المروحة بإحكام. إذا لم يكتمل تركيب غطاء المروحة، أو إذا تم تركيبه بطريقة غير صحيحة، فقط ينطير، مما يؤدي إلى إصابة جسدية أو تلف الجهاز.

إشعار: تجنب التحميل الزائد على غطاء البطارية. فقد يؤدي ذلك إلى انكساره.

التخزين

لمنع نشوب حريق أو الاحتراق، اترك الجهاز حتى يبرد تماماً قبل تخزينه. لا تخزن بطارية نفدت شحنتها لفترة طويلة، لأن ذلك قد يقلل من عمرها الافتراضي.

زر مفتاح التشغيل	2	زر تغيير سرعة الرياح	3	زر مؤقت الإيقاف التلقائي
زر الاهتزاز	5	مؤشر سرعة الرياح	6	مؤشر مؤقت الإيقاف التلقائي
فتحة البطارية	8	مقيس 12V DC	9	مهايئ تيار متردد

ملاحظة: قد تختلف الإشارة الدالة على سعة البطارية اختلافاً طفيفاً عن السعة الفعلية، وذلك اعتماداً على ظروف الاستخدام ودرجة حرارة البيئة المحيطة.

ملاحظة: يوضع مصباح المؤشر الأول (أقصى اليسار) عند تشغيل نظام حماية البطارية.

نظام حماية الجهاز / البطارية

- يتمتع الجهاز بنظام حماية. يقوم هذا النظام تلقائياً بفصل الطاقة عن المحرك لإطالة عمر الجهاز والبطارية. ويتوقف هذا الجهاز تلقائياً عن التشغيل إذا تم وضع الجهاز أو البطارية في أحد الظروف التالية.
- الحماية من الحمل الزائدة: عند تشغيل الجهاز أو البطارية بطريقة تتسبب في سحب تيار مرتفع بشكل غير طبيعي، سيتوقف الجهاز تلقائياً دون إعطاء أية مؤشرات. وفي هذه الحالة، أوقف تشغيل الجهاز وأوقف المهمة التي تسببت في زيادة حمل البطارية. وبعد ذلك، أعد تشغيل الجهاز.
- الحماية من السخونة الزائدة: عند سخونة الجهاز أو البطارية بشكل زائد، يتوقف الجهاز عن التشغيل تلقائياً. انترك الجهاز حتى يبرد قبل تشغيله مجدداً.
- الحماية من فرط تفريغ الشحنات: عندما تنخفض سعة البطارية، سيتوقف تشغيل الجهاز تلقائياً. وإذا لم يتم تشغيل الجهاز حتى عند تشغيل المفاتيح، فأزل صندوق البطارية من الجهاز وقم بشحنه.

التشغيل

تنبيه: المروحة مصنوعة من راتنج البولي بروبيلين. وبعض أنواع العوامل الزيتية أو المواد الكيميائية التي قد تتسبب في تدهور حالة الراتنج قد تؤدي إلى كسر المروحة مسببة إصابة.

بدء تشغيل / إيقاف المروحة

اضغط على زر مفتاح التشغيل لتشغيل المروحة. اضغط زر مفتاح التشغيل مرة أخرى لإيقاف تشغيل المروحة.

تغيير سرعة الرياح

اضغط على زر تغيير سرعة الرياح أثناء تشغيل المروحة. تزداد سرعة المروحة في كل مرة تضغط فيها على هذا الزر. تعود سرعة المروحة إلى أقل سرعة عند الدوران بأقصى سرعة. تبدأ المروحة الاسلكية بالسرعة ذاتها التي كانت في الإعداد السابق.

الشكل 4: 1. زر تغيير سرعة الرياح

الوصف الوظيفي

تنبيه: تأكد دائماً من إيقاف تشغيل الجهاز وإزالة صندوق البطارية قبل ضبط أي وظيفة به أو فحصه.

تركيب صندوق البطارية أو إزالته

تنبيه: أوقف دائماً تشغيل الجهاز قبل تركيب صندوق البطارية أو إزالته.

تنبيه: أمسك الجهاز وصندوق البطارية بإحكام عند تركيب صندوق البطارية أو إزالته. قد يؤدي عدم الإمساك بالجهاز وصندوق البطارية بإحكام إلى انزلاقهما وسقوطهما من يديك، مما يؤدي إلى تلف الجهاز وصندوق البطارية ووقوع إصابة جسدية.

لإزالة صندوق البطارية، حركه لإخراجه من الجهاز أثناء تحريك الزر الموجود في مقدمة صندوق البطارية.

لتركيب صندوق البطارية، قم بمحاذاة اللسان الموجود في صندوق البطارية مع التجويف الموجود في المبيت ثم حركه لينزلق في مكانه. أدخل صندوق البطارية إلى نهاية المسار حتى يتم تثبيته في مكانه مع صدور صوت طقطقة بسيط.

الشكل 2: 1. الزر، 2. صندوق البطارية

تنبيه: احرص دائماً على تركيب صندوق البطارية بالكامل. إذا لم يحدث ذلك، فقد يسقط فجأة خارج الجهاز، مما يتسبب في إصابتك أو إصابة شخص بجوارك.

تنبيه: لا تقم بتركيب صندوق البطارية عنوة. إذا لم ينزلق صندوق البطارية بسهولة، فذلك يعني إدخاله بشكل خاطئ.

الإشارة إلى سعة شحن البطارية المتبقية

اضغط على زر الفحص الموجود بصندوق البطارية لعرض السعة المتبقية من شحن البطارية. تُضيء مصابيح المؤشر ليضع ثوان.

الشكل 3: 1. مصابيح المؤشر 2. زر الفحص

السعة المتبقية	مصابيح المؤشر		
	مضيء	إيقاف التشغيل	وامض
75% إلى 100%	■ ■ ■ ■	□ □ □ □	□ □ □ □
50% إلى 75%	■ ■ ■ □	□ □ □ □	□ □ □ □
25% إلى 50%	■ ■ □ □	□ □ □ □	□ □ □ □
0% إلى 25%	■ □ □ □	□ □ □ □	□ □ □ □
الشحن البطارية.	■ □ □ □	□ □ □ □	□ □ □ □
قد يكون بالبطارية خلل وظيفي.	■ □ □ □	□ □ □ □	□ □ □ □

استخدام المروحة اللاسلكية والعناية بها

1. لا تخزن الأداة وصندوق البطارية ولا تستخدمهما في الأماكن التي قد تبلغ درجة الحرارة فيها 50°C (122°F) أو تزيد عنها.
2. لا تحرق صندوق البطارية حتى في حالة تعرضه لتلف شديد أو تاكله تمامًا. فقد ينفجر صندوق البطارية ويتسبب في حدوث حريق.
3. لا تقم بثقب صندوق البطارية أو قطعها أو كسرها أو قذفها أو إسقاطها أو الطرق بجسم صلب على صندوق البطارية. فقد يؤدي القيام بذلك إلى نشوب حريق أو تولد حرارة زائدة أو حدوث انفجار.
4. لا تستخدم بطارية تالفة.
5. تخضع بطاريات أيون الليثيوم المرفقة لمطالبات التشريع الخاصة بالصناعات الخطرة.
6. فيما يتعلق بعمليات النقل التجارية، كالتي تجريها الجهات الخارجية أو وكلاء الشحن، يجب الالتزام بمطالبات خاصة بالتغليف والتصنيف.
7. تجنب استشارة خبير بالمواد الخطرة حال التحضير لشحن أي منها.
8. يرجى كذلك مراعاة اللوائح المحلية التي قد تكون أكثر تفصيلاً.
9. قم بتثبيت الوصلات المفتوحة وتغطيتها وتغليف البطارية بطريقة لا تسمح لها بالحركة داخل العبوة.
10. عند التخلص من صندوق البطارية، قم بإزالته من الأداة وتخلص منه في مكان آمن. اتبع القوانين المحلية المتعلقة بالتخلص من البطارية.
11. لا تستخدم سوى البطاريات المرفقة مع المنتجات التي تتحدثها Makita. فتركيب البطاريات بمنتجات غير متوافقة ربما يؤدي إلى نشوب حريق أو توليد حرارة زائدة أو حدوث انفجار أو تسريب الكتروليت.
12. في حالة عدم استخدام هذه الأداة لفترة زمنية طويلة، ينبغي إزالة البطارية منها.
13. أثناء الاستخدام وبعده، قد يتعرض صندوق البطارية للحرارة، الأمر الذي قد يؤدي إلى الإصابة بحروق أو حروق منخفضة الحرارة. توخ الحذر عند التعامل مع صندوق البطارية.
14. لا تلمس طرف الأداة عقب استخدامها؛ فربما تكون ساخنة بدرجة تؤدي إلى الإصابة بحروق.
15. لا تسمح بوصول للشلطيا أو الغبار أو الأتربة المتلصقة بالأطراف والقوالب والتجاويف إلى صندوق البطارية. فقد يؤدي ذلك إلى ضعف الأداء أو تعطل الأداة أو صندوق البطارية.
16. إذا كانت الأداة لا تدعم الاستخدام بالقرب من خطوط الكهرباء ذات الفولطية العالية، فلا تستخدم صندوق البطارية بالقرب منها. فقد يؤدي ذلك إلى حدوث عطل أو تلف بالأداة أو صندوق البطارية.
17. احتفظ بالبطارية بعيداً عن متناول الأطفال.

احتفظ بهذه الإرشادات.

⚠تنبيه: لا تستخدم سوى بطاريات Makita الأصلية؛ حيث أن استخدام بطاريات غير أصلية أو بطاريات معملية قد ينتج عنه انفجار يتسبب في اندلاع حرائق وإصابات شخصية وتلف. وسجول ذلك دون استفادتك من ضمان Makita الخاص بالأدوات والشواحن.

نصائح للحصول على أطول فترة تشغيل ممكنة للبطارية

1. اشحن صندوق البطارية قبل نفاذ شحنها تمامًا. وأوقف دائماً تشغيل الأداة واشحن صندوق البطارية عند ملاحظة انخفاض طاقة الأداة.
2. تجنب إعادة شحن بطارية مشحونة تمامًا. فقد يؤدي الشحن الزائد إلى تقصير فترة تشغيل البطارية.
3. اشحن صندوق البطارية في درجة حرارة الغرفة التي تتراوح من 10 درجات - 40 درجة مئوية. اترك صندوق البطارية الساخن يبرد قبل شحنها.
4. عند عدم استخدام صندوق البطارية، قم بإزالتها من الأداة أو الشاحن.
5. اشحن صندوق البطارية إذا لم تكن ستستخدمه لفترة طويلة (أكثر من ستة أشهر).

1. استخدم المروحة اللاسلكية المناسبة للغرض المطلوب. لا تستخدم المروحة لغرض لم تصمم له.
2. يعمل هذا الجهاز بصندوق بطارية ليثيوم أيون من Makita، كما هو مميّن في قسم "المواصفات" في دليل الإرشادات هذا أو بمهايي تيار متردد. وقد يؤدي استخدام أي بطاريات أخرى إلى خطر نشوب حريق. لا تقم بإعادة الشحن إلا باستخدام المحدد. فقد يؤدي استخدام شاحن مناسب لأحد أنواع البطاريات إلى خطر نشوب حريق عند استخدامه مع بطارية أخرى.
3. قم بتخزين الجهاز، بعد إيقاف تشغيله، بعيداً عن متناول الأطفال والأشخاص غير المتدربين.
4. أفضل صندوق البطارية ومهايي التيار المتردد من مصدر الطاقة قبل تخزين الجهاز وإجراء أي عملية فحص أو صيانة أو تنظيف. فقد تؤدي إجراءات السلامة الوقائية هذه الحد من خطر بدء تشغيل الجهاز بدون قصد.
5. عندما لا تستخدم صندوق البطارية، احتفظ به بعيداً عن الأجسام المعدنية الأخرى. قد يؤدي حدوث قصر في أطراف توصيل البطارية إلى تطاير الشرر والإصابة بحروق أو نشوب حريق.
6. أفضل الوحدة واتركها حتى تبرد قبل إجراء أي عملية فحص أو صيانة أو تنظيف، أو قبل تخزينها.
7. احذر الإهمال عند استخدام الجهاز بسبب درابته به. وتذكر أن الإهمال في جزء من الثانية يؤدي إلى إصابة جسيمة.
8. احرص دائماً على وضع الجهاز على سطح مستو وثابت. إذا سقط الجهاز، فقد يؤدي إلى وقوع إصابة جسدية أو تعرض الجهاز للتلف.
9. لا تستخدم أي بطاريات أو مرفقات أو ملحقات لا توصي بها الشركة المصنعة لهذا الجهاز. فقد يؤدي استخدام البطاريات أو المرفقات أو الملحقات غير الموصى بها إلى وقوع إصابة جسدية جسيمة.
10. أبعاد الشعر أو الملابس الفضفاضة، مثل الشواحن، عن المروحة. فقد تشترك في المروحة وتتسبب في إصابة جسدية.
11. تأكد من أن المفتاح في وضع إيقاف التشغيل قبل رفع الجهاز أو حمله. قد يؤدي حمل الجهاز وإصبعك على المفتاح إلى وقوع حوادث.
12. لا تقم بتعديل/محاولة إصلاح الجهاز أو صندوق البطارية إلا وفقاً للإرشادات الميّنّة للاستخدام والعناية.

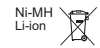
الخدمة

1. ينبغي صيانة هذا الجهاز بمعرفة موظفي إصلاح مؤهلين فقط. قد تؤدي صيانة الجهاز أو خدمته بواسطة أفراد غير مؤهلين إلى خطر وقوع إصابة.
2. عند صيانة الجهاز، استخدم قطع الغيار المتطابقة فقط. وقد يؤدي استخدام قطع غيار غير معتمدة أو عدم اتباع إرشادات الصيانة إلى خطر الصعق بالكهرباء أو وقوع إصابة.
3. لا تحرق هذا الجهاز، حتى في حالة تعرضه لتلف بالغ. فقد تنفجر البطاريات في الحريق. تخلص من الجهاز وفقاً للوائح المحلية.

إرشادات سلامة هامة خاصة بصندوق البطارية

1. قبل استعمال صندوق البطارية، اقرأ جميع الإرشادات والرموز التحذيرية الموجودة على (1) شاحن البطارية و(2) البطارية و(3) المنتج الذي يعمل باستخدام البطارية.
2. لا تفكك صندوق البطارية أو تعبت به. فقد يؤدي ذلك إلى نشوب حريق أو تولد حرارة زائدة أو حدوث انفجار.
3. إذا أصبحت فترة التشغيل أقصر بنسبة كبيرة للغاية، فأوقف التشغيل فوراً. قد يؤدي ذلك إلى خطر زيادة السخونة والحروق المحتملة بل وإلى وقوع انفجار.
4. إذا لامس الإكتروليت عينيك، فاشطفهما بالماء النظيف واطلب المساعدة الطبية فوراً. فقد يؤدي ذلك إلى أن تفقد بصرك.
5. لا تقم بإحداث دائرة قصر في صندوق البطارية:
 - (1) لا تلمس أطراف التوصيل بأي مواد موصلة للتيار.
 - (2) تجنب تخزين صندوق البطارية في حاوية بها أجسام معدنية أخرى مثل المسامير والعملات وما إلى ذلك.
 - (3) لا تعرض صندوق البطارية للماء أو المطر.
 قد يتسبب إحداث دائرة قصر في البطارية في تدفق كمية كبيرة من التيار وزيادة السخونة وحروق محتملة، بل والتعطل أيضاً.

فيما يلي عرض للرموز التي يمكن استخدامها مع هذا الجهاز. فتأكد من فهم معناها قبل الاستعمال.



7. احرص على أن يكون الشعر والملابس الواسعة والإصبع وجميع أعضاء الجسد بعيدة عن الفتحات والأجزاء المتحركة.
8. أوقف تشغيل جميع عناصر التحكم قبل إخراج البطارية.
9. لا تستخدم إلا مهايئ التيار المتردد والشاحن المقدمين من شركة التصنيع. قد تصحح الملحقات المناسبة للجهاز خطرة عند استخدامها بدلاً من ملحقات أخرى.
10. لا تشحن البطارية بالخارج.
11. لا تعرض الجهاز للحرائق أو درجات الحرارة العالية.
12. لا تستخدم الجهاز بالقرب من السنفة اللهب أو النيران أو البيئات المفتوحة، على سبيل المثال بيئة بها سوائل أو غازات أو غبار قابل للاشتعال. قد ينيغ شررٌ من الجهاز، هذا الشرر قد يؤدي إلى اشتعال الغبار أو الأبخرة.
13. لا تستخدم الجهاز أبدًا في مواقع بها رطوبة، مثل الحمام.
14. هذا الجهاز مصمم للاستخدام داخل المبانى فقط. لا تستخدم الجهاز في الخارج.
15. هذا الجهاز مصمم للاستخدام المنزلي.
16. اقرأ دليل الإرشادات هذا ودليل إرشادات الشاحن بعناية قبل الاستخدام.
17. أوقف التشغيل فورا، إذا لاحظت أي شيء غير عادي.
18. إذا سقط الجهاز أو تعرض للارتطام، فافحصه بعناية بحثًا عن أية شقوق أو تلف به قبل التشغيل.
19. لا تقرب الجهاز من المواقف أو مصادر الحرارة الأخرى.
20. لا تستخدم الجهاز في جالة وجود أجزاء مكسورة أو منحنية أو مشقوقة أو تالفة. ينبغي إزالة أي جهاز يبدو تالفًا مهما كانت حالته، أو يعمل بشكل غير طبيعي، من الخدمة فورا. افحص الجهاز قبل التشغيل.
21. لا تترك الجهاز يعمل بدون مراقبة.
22. لا تسئ استخدام مهايئ التيار المتردد. لا تستخدم سلك المهايئ في حمل الجهاز، ولا تصحب القابس من المقبس. احتفظ بمهايئ التيار المتردد بعيدًا عن الحرارة أو الزيت أو الحواف الحادة أو الأجزاء المتحركة. استبدل المهايئ التالف على الفور. قد يزيد المهايئ التالف من خطر الصعق بالكهرباء.

خاص بدول الاتحاد الأوروبي فقط
بسبب وجود مكونات خطيرة في المعدات، قد يكون لفتايات المعدات الكهربائية والإلكترونية والمراكمت والبطاريات تأثير سلبي على البيئة وصحة الإنسان.
ولا تتخلص من الأجهزة الكهربائية والإلكترونية أو البطاريات مع النفايات المنزلية!
ووفقًا للتوجيه الأوروبي حول نفايات المعدات الكهربائية والإلكترونية والمراكمت والبطاريات وتوافقها مع القانون الوطني، يجب تجميع نفايات المعدات الكهربائية والإلكترونية والبطاريات والمراكمت على نحو منفصل وتسليمها إلى نقطة تجميع نفايات البلدية، التي تعمل وفقًا للوائح حماية البيئة. ويُشار إلى هذا برمز سلة ذات عجلات عليها علامة X موضوعة على المعدات.

خاص بدول الاتحاد الأوروبي فقط
التخلص من المنتج بطريقة صحيحة
تشير هذه العلامة إلى عدم جواز التخلص من هذا المنتج مع النفايات المنزلية الأخرى طبقًا لقواعد الاتحاد الأوروبي. لتجنب إمكانية إلحاق ضرر بالبيئة أو صحة الإنسان نتيجة للتخلص من النفايات بدون مراقبة، أعد تدويره بطريقة مسؤولة لتعزيز إعادة الاستخدام المستدام للموارد المادية. لإرجاع جهازك المستعمل، يرجى الاستعانة بالظلمة الإرجاع والتجميع أو الاتصال ببناع التجزئة الذي اشترت منه المنتج. حيث يمكنه أخذ هذا المنتج لإعادة تدويره بطريقة آمنة.
بسبب وجود مكونات خطيرة في المعدات، قد يكون للمعدات الكهربائية والإلكترونية المستخدمة تأثير سلبي على البيئة وصحة الإنسان.



الاستعمال المقصود

هذا الجهاز مصمم لضخ الهواء.

تحذيرات السلامة

لتجنب التعرض لإصابة بالغة، يرجى قراءة التحذيرات والإرشادات كافة وفهمها قبل بدء الاستخدام.

ستحتاج إلى هذا الدليل للتعرف على تحذيرات السلامة والاحتياطات وإجراءات التجميع والتشغيل والفحص والصيانة. احتفظ بهذا الدليل في مكان جاف وآمن للرجوع إليه فيما بعد.

إرشادات مهمة للسلامة

عند استخدام جهاز كهربائي، احرص دائمًا على اتباع الاحتياطات الأساسية، بما في ذلك:

اقرأ جميع الإرشادات قبل استخدام هذا الجهاز.

تحذير

لنجد من خطر نشوب حريق أو الصعق بالكهرباء أو التعرض للإصابة:

1. لا تعرض الجهاز للمطر. وقم بتخزينه داخل المبنى.
 2. لا تسمح باستخدامه كليعي. ويلزم الانتباه له عن قرب عندما يستخدمه الأطفال أو يُستخدَم بالقرب منهم.
 3. لا تستخدم الجهاز إلا على النحر الموصوف في هذا الدليل. لا تستخدم إلا الملحقات التي أوصت بها شركة التصنيع.
 4. لا تستخدم بطارية تالفة. إذا لم يعمل الجهاز كما ينبغي أو تعرض للسقوط أو التلف أو تُرْك بالخارج أو سقط في الماء، فاعده إلى مركز الصيانة التابع لنا.
 5. لا تمسك الجهاز ويدك مبتلتان.
 6. لا تضع أي جسم في الفتحات.
1. لا تقم بإعادة الشحن إلا باستخدام الشاحن الذي حددته شركة التصنيع. فقد يؤدي استخدام شاحن مناسب لنوع معين من البطاريات مع بطارية أخرى إلى خطر نشوب الحريق.
 2. لا تستخدم الأدوات الكهربائية إلا مع حزم البطاريات المصنعة لها خصيصًا. فقد يؤدي استخدام حزم بطاريات أخرى إلى خطر وقوع إصابة أو نشوب حريق.
 3. عند عدم استخدام حزمة البطارية، احتفظ بها بعيدًا عن باقي الأجسام المعدنية مثل مشابك الورق أو المعاملات أو المفاتيح أو المسامير أو البراغي أو أي أجسام معدنية صغيرة أخرى قد تتسبب وصلة من طرف إلى آخر. قد يؤدي حدوث قصر في أطراف توصيل البطارية إلى الإصابة بالحروق أو نشوب حريق.
 4. قد يتدفق السائل من البطارية في حالة الاستعمال التعسفي، وعندئذٍ تجنب ملامسته. إذا لامست هذا السائل دون قصد، فاشطف المنطقة المتأثرة بالماء. واطلب المساعدة الطبية أيضًا إذا لامس هذا السائل العينين. فقد يتسبب السائل المتسرب من البطارية في حدوث تهيج أو حروق.
 5. لا تستخدم مجموعة بطارية أو أداة تالفة أو معدلة؛ فقد تُظهر البطاريات التالفة أو المعدلة سلوكًا غير متوقع ينتج عنه حريق أو انفجار أو التعرض لإصابة.
 6. لا تعرض مجموعة البطارية أو الأداة لحريق أو حرارة مفرطة؛ حيث إن تعريض أي منهما لحريق أو درجة حرارة تزيد عن 130 درجة مئوية قد يتسبب في حدوث انفجار.
 7. اتبع جميع إرشادات الشحن ولا تشحن مجموعة البطارية أو الأداة خارج نطاق درجة الحرارة المحدد في الإرشادات؛ فالشحن بطريقة غير مناسبة أو في درجات حرارة خارج النطاق المحدد قد يتسبب في تلف البطارية وزيادة خطر اندلاع حريق.

تحذير

- للمستخدمين في أوروبا: يمكن للأطفال ابتداءً من 8 سنوات فأكثر والأشخاص ذوي القدرات العقلية أو الحسية أو البدنية المحدودة أو من يفتقرون إلى الخبرة والمعرفة استخدام هذه السترة إذا تم توفير الإشراف والإرشادات المتعلقة باستخدامها بطريقة آمنة لهم وفهموا المخاطر المتعلقة بالأمر. وينبغي ألا يعيثر الأطفال بهذه السترة/الصدرية. كذلك، ينبغي ألا يقوم الأطفال بالتنظيف والصيانة التي يمكن للمستخدم القيام بها دون الإشراف عليهم.
- للمستخدمين في مناطق غير أوروبا: هذه السترة/الصدرية غير مُعدة للاستخدام بواسطة الأشخاص (بما في ذلك الأطفال) ذوي الإعاقات البدنية أو الحسية أو العقلية أو الذين يفتقرون إلى الخبرة والمعرفة إلا في حالة الإشراف عليهم أو تلقيهم التعليمات المتعلقة باستخدام هذه السترة من شخص مسؤول عن سلامتهم. تجب مراقبة الأطفال الصغار للتأكد من أنهم لا يعيثرن بالسترة.

المواصفات

تتمتع هذه المروحة بـ 3 سرعات ووظيفة منع اهتزاز رأس المروحة ووظيفة مؤقت الإيقاف التلقائي. ويمكن تزويدها بالطاقة من خلال صندوق بطارية من Makita أو مهلب تيار متردد.

الطراز:	CF002G
الجهد الكهربائي المقدر	D.C. 36 V - 40 V كحد أقصى
مهلب تيار متردد	الدخل الخروج
	1.2 A, 50 / 60 Hz, 100 - 240 V كحد أقصى
	3.5 A, 12 V
الأبعاد (الطول × العرض × الارتفاع)	602 mm x 439 mm x 261 mm
الوزن الصافي (بدون صندوق البطارية)	3.8 kg

- نظرًا لما يقدمه برنامج البحث والتطوير لدينا بشكل مستمر، فإن المواصفات الواردة في هذا الدليل عرضة للتغيير دون إخطار.
- قد تختلف المواصفات من بلد لآخر.

صندوق البطارية والشاحن الملائمان

صندوق البطارية	BL4050F / BL4040 / BL4025 / BL4020
الشاحن	DC40RC / DC40RB / DC40RA

- بعض صناديق البطارية وأجهزة الشحن المذكورة أعلاه ربما لا تكون متوفرة بناءً على المنطقة التي تقيم بها.

تحذير: لا تستخدم إلا صناديق البطارية والشواحن المذكورة أعلاه. فقد يؤدي استخدام أي صناديق بطارية وشواحن أخرى إلى وقوع إصابة وأو نشوب حريق.

مدة تشغيل البطارية

يشير الجدول التالي إلى بعض صناديق البطارية المقدمة من Makita، ومبين بها مدة التشغيل المقدر عندما تكون البطارية مشحونة بالكامل:

صندوق البطارية	سرعة الرياح		
	منخفضة	متوسطة	مرتفعة
BL4025	640 min	400 min	200 min
BL4040	1020 min	640 min	320 min

Makita Corporation
3-11-8, Sumiyoshi-cho,
Anjo, Aichi 446-8502 Japan
www.makita.com

CF002G-
10L(NON-CE)-2012
EN, PTBR, ES,
ZH-CN, ZH-TW, KO,
VI, TH, FA, AR
20210201