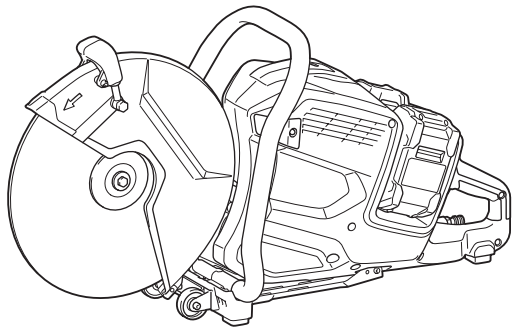
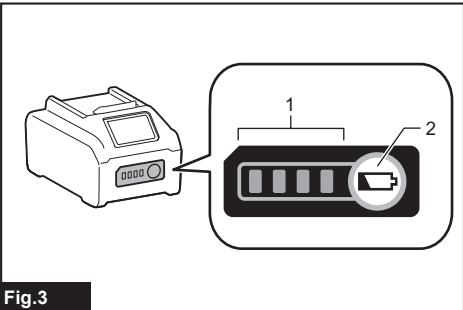
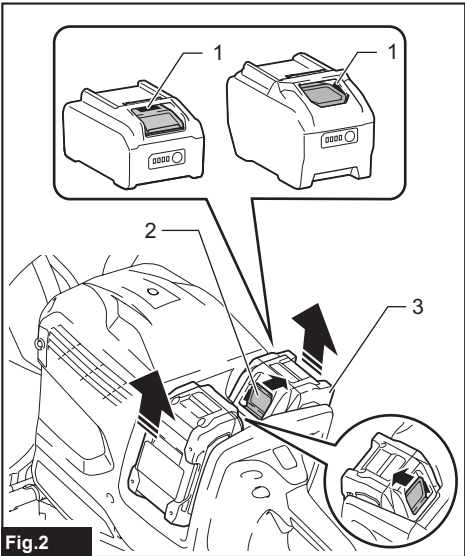
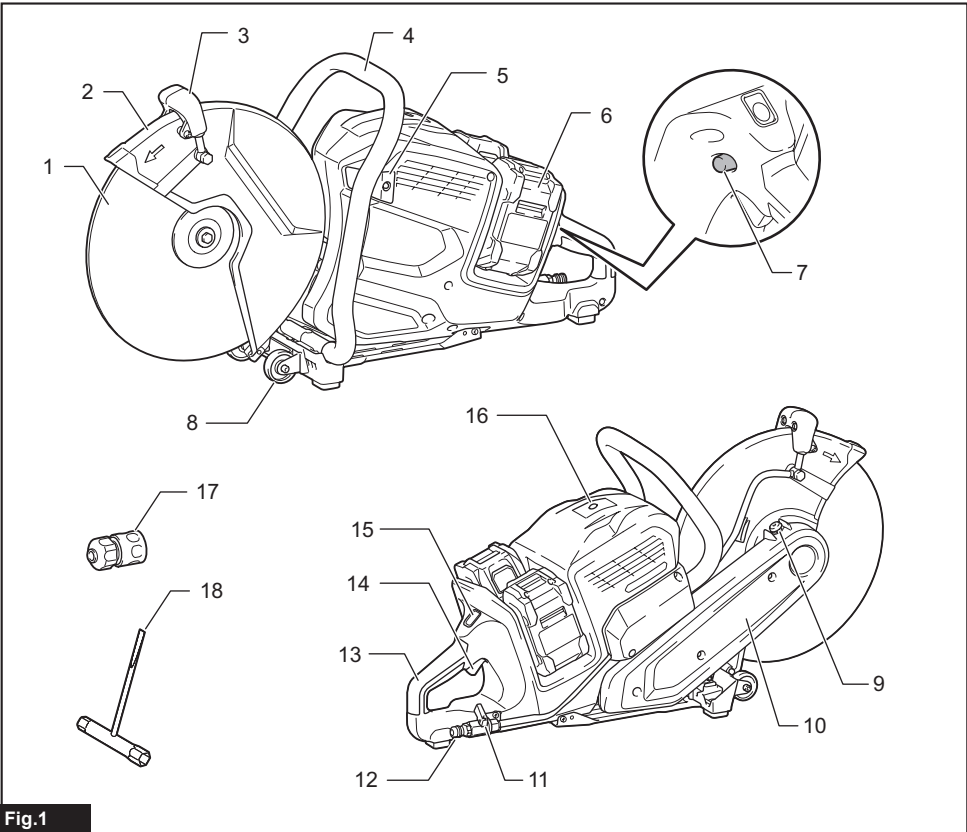




<b>EN</b>	Cordless Power Cutter	<b>INSTRUCTION MANUAL</b>	<b>8</b>
<b>ZHCN</b>	充电式切断锯	使用说明书	<b>18</b>
<b>ID</b>	Mesin Pemotong Tanpa Kabel	<b>PETUNJUK PENGGUNAAN</b>	<b>29</b>
<b>MS</b>	Pemotong Kuasa Tanpa Kord	<b>MANUAL ARAHAN</b>	<b>41</b>
<b>VI</b>	Máy Cắt Bê Tông Cầm Tay Hoạt Động Bằng Pin	<b>TÀI LIỆU HƯỚNG DẪN</b>	<b>52</b>
<b>TH</b>	เครื่องตัดไฟฟ้าไร้สาย	คู่มือการใช้งาน	<b>63</b>

# CE001G





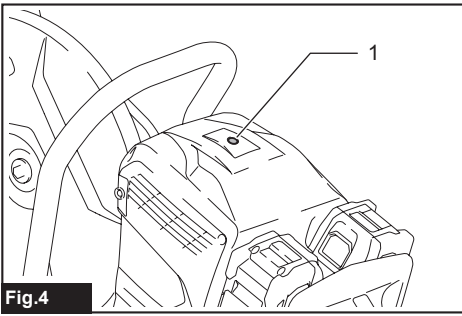


Fig.4

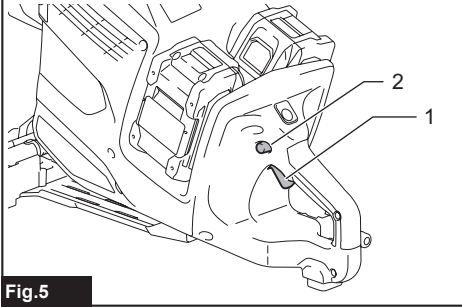


Fig.5

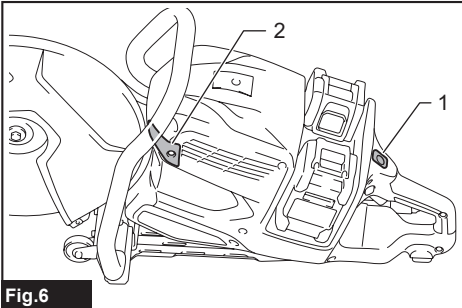


Fig.6

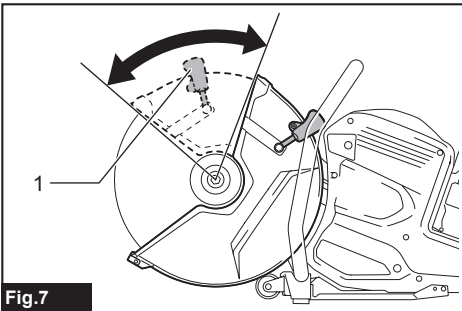


Fig.7

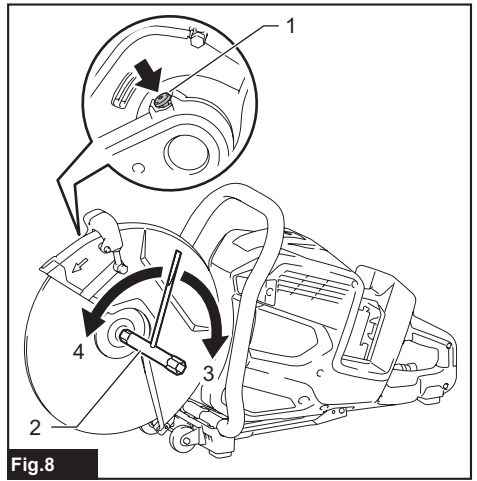


Fig.8

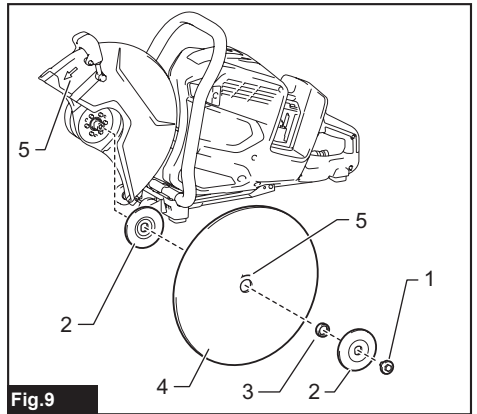


Fig.9

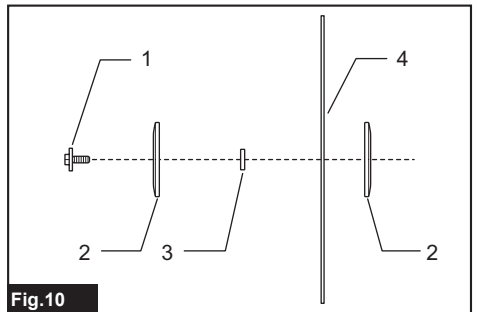
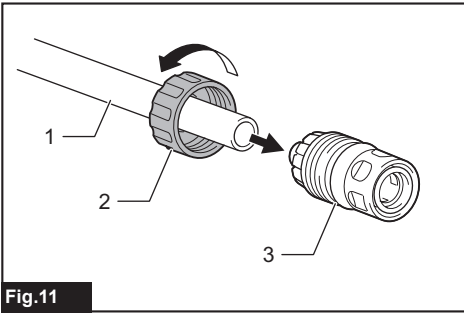
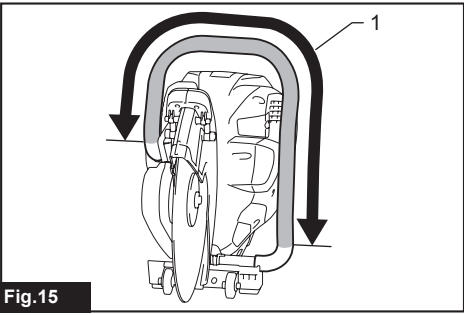


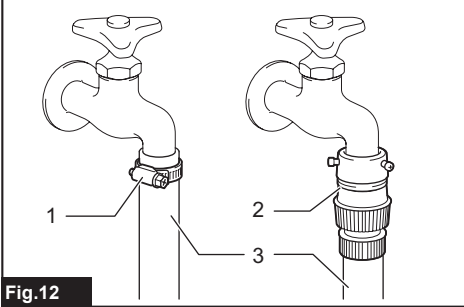
Fig.10



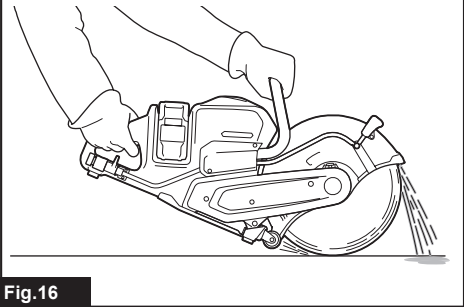
**Fig.11**



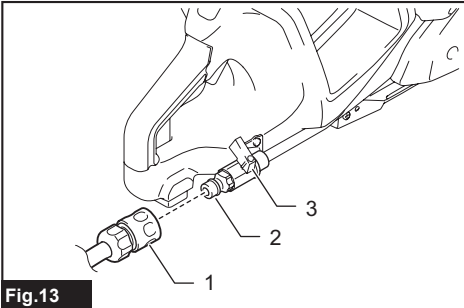
**Fig.15**



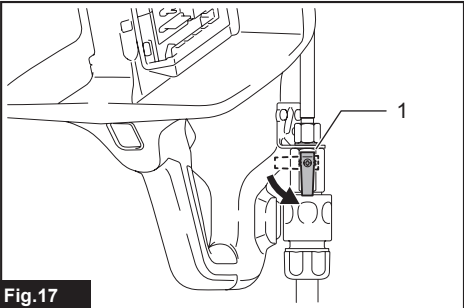
**Fig.12**



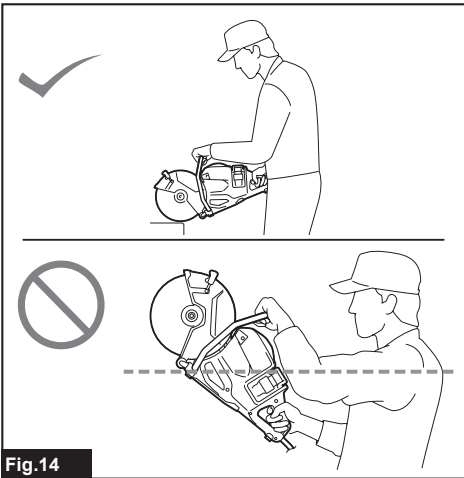
**Fig.16**



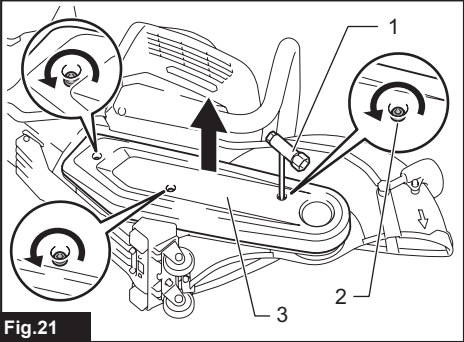
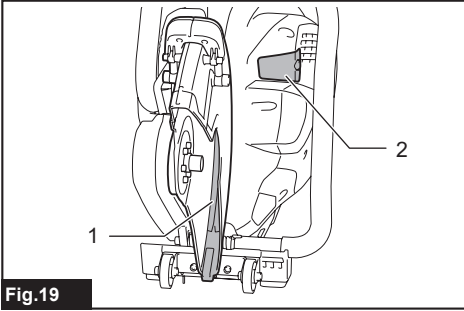
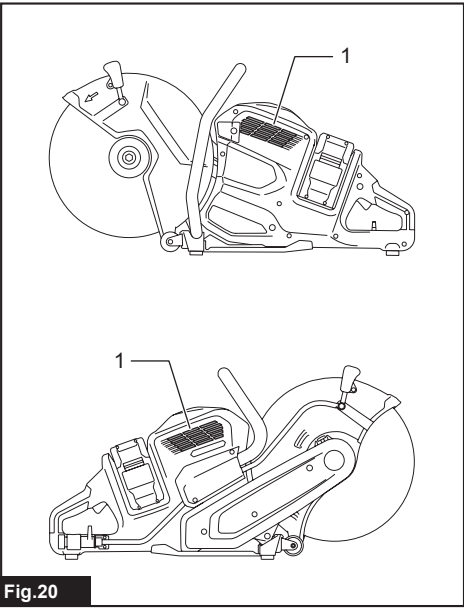
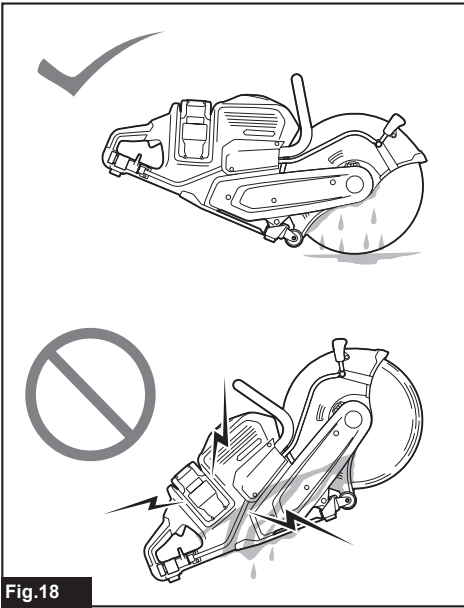
**Fig.13**



**Fig.17**



**Fig.14**



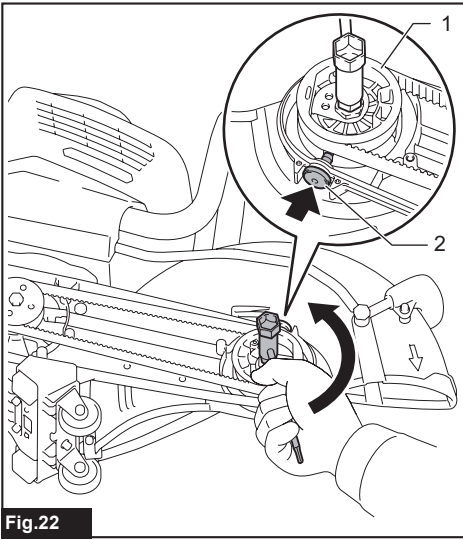


Fig. 22

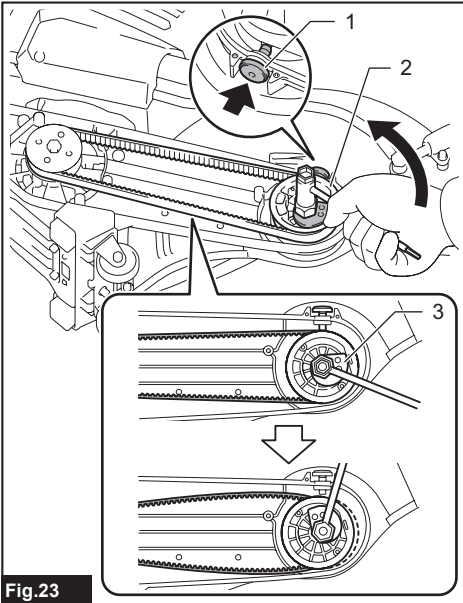


Fig. 23

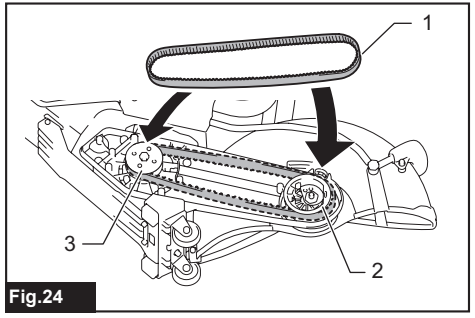


Fig. 24

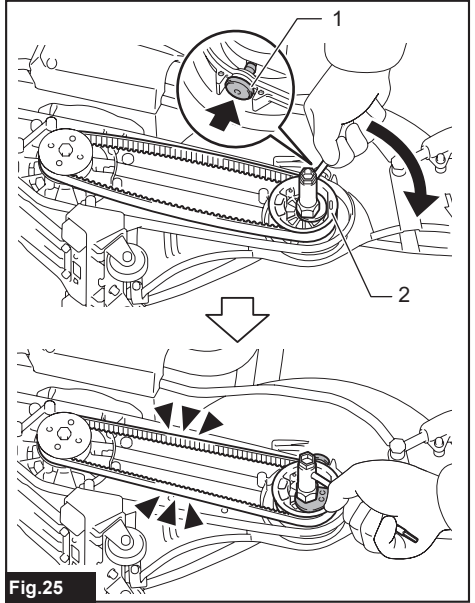


Fig. 25

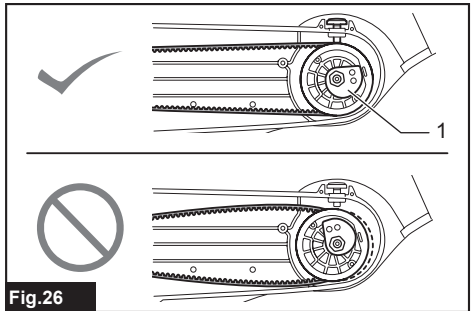
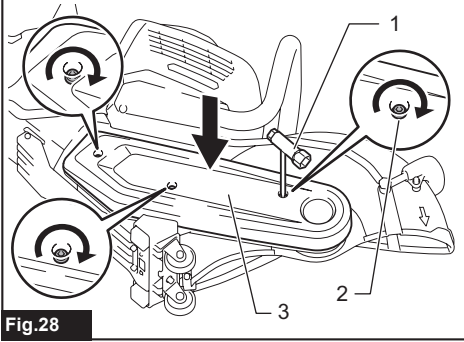
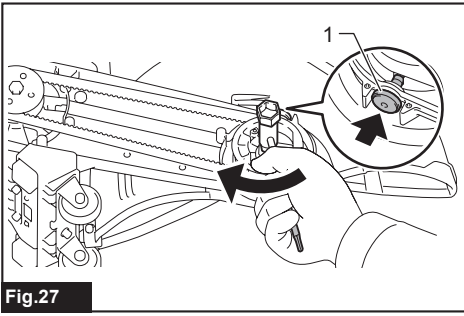


Fig. 26



## SPECIFICATIONS

Model:	CE001G
Wheel diameter	355 mm
Max. wheel thickness	5.0 mm
Max. cutting depth	127 mm
Rated speed	5,300 min <sup>-1</sup>
Rated voltage	D.C. 72 V - 80 V max
Max. permitted pressure of feed-water	5.0 bars
Overall length	786 mm
Net weight	12.3 - 12.9 kg
Protection degree	IPX4

- Due to our continuing program of research and development, the specifications herein are subject to change without notice.
- Specifications may differ from country to country.
- The weight may differ depending on the attachment(s), including the battery cartridge. The lightest and heaviest combination, according to EPTA-Procedure 01/2014, are shown in the table.

### Applicable battery cartridge and charger




Battery cartridge	BL4040 / BL4050F* *: Recommended battery
Charger	DC40RA / DC40RB / DC40RC

- Some of the battery cartridges and chargers listed above may not be available depending on your region of residence.

**⚠ WARNING: Only use the battery cartridges and chargers listed above.** Use of any other battery cartridges and chargers may cause injury and/or fire.

### Symbols

The followings show the symbols which may be used for the equipment. Be sure that you understand their meaning before use.

	Read instruction manual.
 	Wear safety glasses.



Only for EU countries  
Due to the presence of hazardous components in the equipment, waste electrical and electronic equipment, accumulators and batteries may have a negative impact on the environment and human health. Do not dispose of electrical and electronic appliances or batteries with household waste!

In accordance with the European Directive on waste electrical and electronic equipment and on accumulators and batteries and waste accumulators and batteries, as well as their adaptation to national law, waste electrical equipment, batteries and accumulators should be stored separately and delivered to a separate collection point for municipal waste, operating in accordance with the regulations on environmental protection.

This is indicated by the symbol of the crossed-out wheeled bin placed on the equipment.

### Intended use

The tool is intended for cutting in metal materials with an abrasive cut-off wheel and also masonry materials with a diamond wheel.



# SAFETY WARNINGS

## General power tool safety warnings

**⚠ WARNING:** Read all safety warnings, instructions, illustrations and specifications provided with this power tool. Failure to follow all instructions listed below may result in electric shock, fire and/or serious injury.

### Save all warnings and instructions for future reference.

The term "power tool" in the warnings refers to your mains-operated (corded) power tool or battery-operated (cordless) power tool.

#### Work area safety

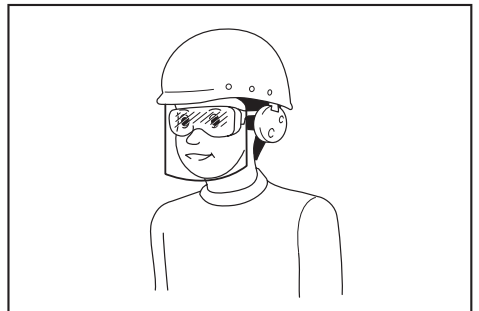
1. **Keep work area clean and well lit.** Cluttered or dark areas invite accidents.
2. **Do not operate power tools in explosive atmospheres, such as in the presence of flammable liquids, gases or dust.** Power tools create sparks which may ignite the dust or fumes.
3. **Keep children and bystanders away while operating a power tool.** Distractions can cause you to lose control.

#### Electrical safety

1. **Power tool plugs must match the outlet. Never modify the plug in any way. Do not use any adapter plugs with earthed (grounded) power tools.** Unmodified plugs and matching outlets will reduce risk of electric shock.
2. **Avoid body contact with earthed or grounded surfaces, such as pipes, radiators, ranges and refrigerators.** There is an increased risk of electric shock if your body is earthed or grounded.
3. **Do not expose power tools to rain or wet conditions.** Water entering a power tool will increase the risk of electric shock.
4. **Do not abuse the cord. Never use the cord for carrying, pulling or unplugging the power tool. Keep cord away from heat, oil, sharp edges or moving parts.** Damaged or entangled cords increase the risk of electric shock.
5. **When operating a power tool outdoors, use an extension cord suitable for outdoor use.** Use of a cord suitable for outdoor use reduces the risk of electric shock.
6. **If operating a power tool in a damp location is unavoidable, use a residual current device (RCD) protected supply.** Use of an RCD reduces the risk of electric shock.
7. **Power tools can produce electromagnetic fields (EMF) that are not harmful to the user.** However, users of pacemakers and other similar medical devices should contact the maker of their device and/or doctor for advice before operating this power tool.

#### Personal safety

1. **Stay alert, watch what you are doing and use common sense when operating a power tool. Do not use a power tool while you are tired or under the influence of drugs, alcohol or medication.** A moment of inattention while operating power tools may result in serious personal injury.
2. **Use personal protective equipment. Always wear eye protection.** Protective equipment such as a dust mask, non-skid safety shoes, hard hat or hearing protection used for appropriate conditions will reduce personal injuries.
3. **Prevent unintentional starting. Ensure the switch is in the off-position before connecting to power source and/or battery pack, picking up or carrying the tool.** Carrying power tools with your finger on the switch or energising power tools that have the switch on invites accidents.
4. **Remove any adjusting key or wrench before turning the power tool on.** A wrench or a key left attached to a rotating part of the power tool may result in personal injury.
5. **Do not overreach. Keep proper footing and balance at all times.** This enables better control of the power tool in unexpected situations.
6. **Dress properly. Do not wear loose clothing or jewellery. Keep your hair and clothing away from moving parts.** Loose clothes, jewellery or long hair can be caught in moving parts.
7. **If devices are provided for the connection of dust extraction and collection facilities, ensure these are connected and properly used.** Use of dust collection can reduce dust-related hazards.
8. **Do not let familiarity gained from frequent use of tools allow you to become complacent and ignore tool safety principles.** A careless action can cause severe injury within a fraction of a second.
9. **Always wear protective goggles to protect your eyes from injury when using power tools. The goggles must comply with ANSI Z87.1 in the USA, EN 166 in Europe, or AS/NZS 1336 in Australia/New Zealand. In Australia/New Zealand, it is legally required to wear a face shield to protect your face, too.**



It is an employer's responsibility to enforce the use of appropriate safety protective equipments by the tool operators and by other persons in the immediate working area.

### Power tool use and care

1. **Do not force the power tool. Use the correct power tool for your application.** The correct power tool will do the job better and safer at the rate for which it was designed.
2. **Do not use the power tool if the switch does not turn it on and off.** Any power tool that cannot be controlled with the switch is dangerous and must be repaired.
3. **Disconnect the plug from the power source and/or remove the battery pack, if detachable, from the power tool before making any adjustments, changing accessories, or storing power tools.** Such preventive safety measures reduce the risk of starting the power tool accidentally.
4. **Store idle power tools out of the reach of children and do not allow persons unfamiliar with the power tool or these instructions to operate the power tool.** Power tools are dangerous in the hands of untrained users.
5. **Maintain power tools and accessories. Check for misalignment or binding of moving parts, breakage of parts and any other condition that may affect the power tool's operation. If damaged, have the power tool repaired before use.** Many accidents are caused by poorly maintained power tools.
6. **Keep cutting tools sharp and clean.** Properly maintained cutting tools with sharp cutting edges are less likely to bind and are easier to control.
7. **Use the power tool, accessories and tool bits etc. in accordance with these instructions, taking into account the working conditions and the work to be performed.** Use of the power tool for operations different from those intended could result in a hazardous situation.
8. **Keep handles and grasping surfaces dry, clean and free from oil and grease.** Slippery handles and grasping surfaces do not allow for safe handling and control of the tool in unexpected situations.
9. **When using the tool, do not wear cloth work gloves which may be entangled.** The entanglement of cloth work gloves in the moving parts may result in personal injury.

### Battery tool use and care

1. **Recharge only with the charger specified by the manufacturer.** A charger that is suitable for one type of battery pack may create a risk of fire when used with another battery pack.
2. **Use power tools only with specifically designated battery packs.** Use of any other battery packs may create a risk of injury and fire.
3. **When battery pack is not in use, keep it away from other metal objects, like paper clips, coins, keys, nails, screws or other small metal objects, that can make a connection from one terminal to another.** Shorting the battery terminals together may cause burns or a fire.
4. **Under abusive conditions, liquid may be ejected from the battery; avoid contact. If contact accidentally occurs, flush with water. If liquid contacts eyes, additionally seek medical help.** Liquid ejected from the battery may cause irritation or burns.

5. **Do not use a battery pack or tool that is damaged or modified.** Damaged or modified batteries may exhibit unpredictable behaviour resulting in fire, explosion or risk of injury.
6. **Do not expose a battery pack or tool to fire or excessive temperature.** Exposure to fire or temperature above 130 °C may cause explosion.
7. **Follow all charging instructions and do not charge the battery pack or tool outside the temperature range specified in the instructions.** Charging improperly or at temperatures outside the specified range may damage the battery and increase the risk of fire.

### Service

1. **Have your power tool serviced by a qualified repair person using only identical replacement parts.** This will ensure that the safety of the power tool is maintained.
2. **Never service damaged battery packs.** Service of battery packs should only be performed by the manufacturer or authorized service providers.
3. **Follow instruction for lubricating and changing accessories.**

### Cordless cutter safety warnings

1. **The guard provided with the tool must be securely attached to the power tool and positioned for maximum safety, so the least amount of wheel is exposed towards the operator. Position yourself and bystanders away from the plane of the rotating wheel.** The guard helps to protect operator from broken wheel fragments and accidental contact with wheel.
2. **Use only bonded reinforced or diamond cut-off wheels for your power tool.** Just because an accessory can be attached to your power tool, it does not assure safe operation.
3. **The rated speed of the accessory must be at least equal to the maximum speed marked on the power tool.** Accessories running faster than their rated speed can break and fly apart.
4. **Wheels must be used only for recommended applications. For example: do not grind with the side of cut-off wheel.** Abrasive cut-off wheels are intended for peripheral grinding, side forces applied to these wheels may cause them to shatter.
5. **Always use undamaged wheel flanges that are of correct diameter for your selected wheel.** Proper wheel flanges support the wheel thus reducing the possibility of wheel breakage.
6. **Do not use worn down reinforced wheels from larger power tools.** Wheels intended for a larger power tool are not suitable for the higher speed of a smaller tool and may burst.
7. **The outside diameter and the thickness of your accessory must be within the capacity rating of your power tool.** Incorrectly sized accessories cannot be adequately guarded or controlled.

8. **The arbour size of wheels and flanges must properly fit the spindle of the power tool.** Wheels and flanges with arbour holes that do not match the mounting hardware of the power tool will run out of balance, vibrate excessively and may cause loss of control.
9. **Do not use damaged wheels. Before each use, inspect the wheels for chips and cracks. If power tool or wheel is dropped, inspect for damage or install an undamaged wheel. After inspecting and installing the wheel, position yourself and bystanders away from the plane of the rotating wheel and run the power tool at maximum no load speed for one minute.** Damaged wheels will normally break apart during this test time.
10. **Wear personal protective equipment. Depending on application, use face shield, safety goggles or safety glasses. As appropriate, wear dust mask, hearing protectors, gloves and shop apron capable of stopping small abrasive or workpiece fragments.** The eye protection must be capable of stopping flying debris generated by various operations. The dust mask or respirator must be capable of filtrating particles generated by your operation. Prolonged exposure to high intensity noise may cause hearing loss.
11. **Keep bystanders a safe distance away from work area. Anyone entering the work area must wear personal protective equipment.** Fragments of workpiece or of a broken wheel may fly away and cause injury beyond immediate area of operation.
12. **Hold the power tool by insulated gripping surfaces only, when performing an operation where the cutting accessory may contact hidden wiring.** Cutting accessory contacting a "live" wire may make exposed metal parts of the power tool "live" and could give the operator an electric shock.
13. **Never lay the power tool down until the accessory has come to a complete stop.** The spinning wheel may grab the surface and pull the power tool out of your control.
14. **Do not run the power tool while carrying it at your side.** Accidental contact with the spinning accessory could snag your clothing, pulling the accessory into your body.
15. **Regularly clean the power tool's air vents.** The motor's fan will draw the dust inside the housing and excessive accumulation of powdered metal may cause electrical hazards.
16. **Do not operate the power tool near flammable materials.** Sparks could ignite these materials.

#### **Kickback and related warnings**

Kickback is a sudden reaction to a pinched or snagged rotating wheel. Pinching or snagging causes rapid stalling of the rotating wheel which in turn causes the uncontrolled power tool to be forced in the direction opposite of the wheel's rotation at the point of the binding.

For example, if an abrasive wheel is snagged or pinched by the workpiece, the edge of the wheel that is entering into the pinch point can dig into the surface of the material causing the wheel to climb out or kick out. The wheel may either jump toward or away from the operator, depending on direction of the wheel's movement at the point of pinching. Abrasive wheels may also break under these conditions.

Kickback is the result of power tool misuse and/or incorrect operating procedures or conditions and can be avoided by taking proper precautions as given below.

1. **Maintain a firm grip on the power tool and position your body and arm to allow you to resist kickback forces. Always use auxiliary handle, if provided, for maximum control over kickback or torque reaction during start-up.** The operator can control torque reactions or kickback forces, if proper precautions are taken.
2. **Never place your hand near the rotating accessory.** Accessory may kickback over your hand.
3. **Do not position your body in line with the rotating wheel.** Kickback will propel the tool in direction opposite to the wheel's movement at the point of snagging.
4. **Use special care when working corners, sharp edges etc. Avoid bouncing and snagging the accessory.** Corners, sharp edges or bouncing have a tendency to snag the rotating accessory and cause loss of control or kickback.
5. **Do not attach a saw chain, woodcarving blade, segmented diamond wheel with a peripheral gap greater than 10 mm or toothed saw blade.** Such blades create frequent kickback and loss of control.
6. **Do not "jam" the wheel or apply excessive pressure. Do not attempt to make an excessive depth of cut.** Overstressing the wheel increases the loading and susceptibility to twisting or binding of the wheel in the cut and the possibility of kickback or wheel breakage.
7. **When wheel is binding or when interrupting a cut for any reason, switch off the power tool and hold the power tool motionless until the wheel comes to a complete stop. Never attempt to remove the wheel from the cut while the wheel is in motion otherwise kickback may occur.** Investigate and take corrective action to eliminate the cause of wheel binding.
8. **Do not restart the cutting operation in the workpiece. Let the wheel reach full speed and carefully re-enter the cut.** The wheel may bind, walk up or kickback if the power tool is restarted in the workpiece.
9. **Support panels or any oversized workpiece to minimize the risk of wheel pinching and kickback.** Large workpieces tend to sag under their own weight. Supports must be placed under the workpiece near the line of cut and near the edge of the workpiece on both sides of the wheel.
10. **Use extra caution when making a "pocket cut" into existing walls or other blind areas.** The protruding wheel may cut gas or water pipes, electrical wiring or objects that can cause kickback.

### Additional Safety Warnings:

1. Before using a segmented diamond wheel, make sure that the diamond wheel has the peripheral gap between segments of 10 mm or less, only with a negative rake angle.
2. Never attempt to cut with the tool held upside down in a vise. This can lead to serious accidents, because it is extremely dangerous.
3. Some material contains chemicals which may be toxic. Take caution to prevent dust inhalation and skin contact. Follow material supplier safety data.
4. Store wheels as per manufacturer recommendations. Improper storage may damage the wheels.
5. Always use the wheel suitable for your work and the material to be cut.
6. Examine the material to be cut before cutting. If the material contains explosive or flammable substances, it may cause an explosion or fire.
7. Do not switch on the tool if a foreign object is jammed between the guard and the wheel. In this case, uninstall the battery cartridge and remove the foreign object.
8. Use clamps or similar to support the workpiece whenever possible.
9. Always wear hearing protection during operation.
10. Do not cut wood materials with this tool.
11. The outside diameter and the thickness of the wheel must be within the capacity rating of your power tool. Incorrectly sized wheels cannot be adequately guarded or controlled.
12. When operating the power tool, maintain a firm grip with both hands on the power tool and position your body and arm to allow you to resist kickback forces.
13. Keep your hands or face away from the rotating wheel.
14. Adjust the wheel cover to a position suitable for your work.
15. When you use the tool on muddy ground, wet slope, or slippery place, pay attention to your footing.
16. Do not submerge the tool into a puddle.
17. Do not leave the tool unattended outdoors in the rain.
18. Do not replace the battery in the rain.
19. When storing the tool, avoid direct sunlight and rain, and store it in a place where it does not get hot or humid.

### SAVE THESE INSTRUCTIONS.

**⚠ WARNING:** DO NOT let comfort or familiarity with product (gained from repeated use) replace strict adherence to safety rules for the subject product. MISUSE or failure to follow the safety rules stated in this instruction manual may cause serious personal injury.

### Important safety instructions for battery cartridge

1. Before using battery cartridge, read all instructions and cautionary markings on (1) battery charger, (2) battery, and (3) product using battery.
2. Do not disassemble or tamper with the battery cartridge. It may result in a fire, excessive heat, or explosion.
3. If operating time has become excessively shorter, stop operating immediately. It may result in a risk of overheating, possible burns and even an explosion.
4. If electrolyte gets into your eyes, rinse them out with clear water and seek medical attention right away. It may result in loss of your eyesight.
5. Do not short the battery cartridge:
  - (1) Do not touch the terminals with any conductive material.
  - (2) Avoid storing battery cartridge in a container with other metal objects such as nails, coins, etc.
  - (3) Do not expose battery cartridge to water or rain.A battery short can cause a large current flow, overheating, possible burns and even a breakdown.
6. Do not store and use the tool and battery cartridge in locations where the temperature may reach or exceed 50 °C (122 °F).
7. Do not incinerate the battery cartridge even if it is severely damaged or is completely worn out. The battery cartridge can explode in a fire.
8. Do not nail, cut, crush, throw, drop the battery cartridge, or hit against a hard object to the battery cartridge. Such conduct may result in a fire, excessive heat, or explosion.
9. Do not use a damaged battery.
10. The contained lithium-ion batteries are subject to the Dangerous Goods Legislation requirements.

For commercial transports e.g. by third parties, forwarding agents, special requirement on packaging and labeling must be observed.

For preparation of the item being shipped, consulting an expert for hazardous material is required. Please also observe possibly more detailed national regulations.

Tape or mask off open contacts and pack up the battery in such a manner that it cannot move around in the packaging.
11. When disposing the battery cartridge, remove it from the tool and dispose of it in a safe place. Follow your local regulations relating to disposal of battery.
12. Use the batteries only with the products specified by Makita. Installing the batteries to non-compliant products may result in a fire, excessive heat, explosion, or leak of electrolyte.
13. If the tool is not used for a long period of time, the battery must be removed from the tool.

14. **During and after use, the battery cartridge may take on heat which can cause burns or low temperature burns. Pay attention to the handling of hot battery cartridges.**
15. **Do not touch the terminal of the tool immediately after use as it may get hot enough to cause burns.**
16. **Do not allow chips, dust, or soil stuck into the terminals, holes, and grooves of the battery cartridge.** It may cause heating, catching fire, burst and malfunction of the tool or battery cartridge, resulting in burns or personal injury.
17. **Unless the tool supports the use near high-voltage electrical power lines, do not use the battery cartridge near a high-voltage electrical power lines.** It may result in a malfunction or breakdown of the tool or battery cartridge.
18. **Keep the battery away from children.**

## SAVE THESE INSTRUCTIONS.

**⚠ CAUTION:** Only use genuine Makita batteries. Use of non-genuine Makita batteries, or batteries that have been altered, may result in the battery bursting causing fires, personal injury and damage. It will also void the Makita warranty for the Makita tool and charger.

## Tips for maintaining maximum battery life

1. **Charge the battery cartridge before completely discharged. Always stop tool operation and charge the battery cartridge when you notice less tool power.**
2. **Never recharge a fully charged battery cartridge. Overcharging shortens the battery service life.**
3. **Charge the battery cartridge with room temperature at 10 °C - 40 °C (50 °F - 104 °F). Let a hot battery cartridge cool down before charging it.**
4. **When not using the battery cartridge, remove it from the tool or the charger.**
5. **Charge the battery cartridge if you do not use it for a long period (more than six months).**

## PARTS DESCRIPTION

► Fig.1

1	Abrasive cut-off wheel / diamond wheel	2	Wheel guard	3	Wheel cover grip	4	Front grip
5	Lamp	6	Battery cartridge	7	Lock-off button	8	Caster
9	Shaft lock button	10	Cover	11	Cock	12	Water inlet
13	Handle	14	Switch trigger	15	Lamp button	16	Overload indicator
17	Coupling sleeve	18	Box wrench	-	-	-	-

## FUNCTIONAL DESCRIPTION

**⚠ CAUTION:** Always be sure that the tool is switched off and the battery cartridge is removed before adjusting or checking function on the tool.

### Installing or removing battery cartridge

**⚠ CAUTION:** Always switch off the tool before installing or removing of the battery cartridge.

**⚠ CAUTION:** Hold the tool and the battery cartridge firmly when installing or removing battery cartridge. Failure to hold the tool and the battery cartridge firmly may cause them to slip off your hands and result in damage to the tool and battery cartridge and a personal injury.

To install the battery cartridge, align the tongue on the battery cartridge with the groove in the housing and slip it into place. Insert it all the way until it locks in place with a little click. If you can see the red indicator on the upper side of the button, it is not locked completely.

► Fig.2: 1. Red indicator 2. Button 3. Battery cartridge

To remove the battery cartridges, lift the battery cartridge while pushing the button on the front of the cartridge.

**⚠ CAUTION:** Always install the battery cartridge fully until the red indicator cannot be seen. If not, it may accidentally fall out of the tool, causing injury to you or someone around you.

**⚠ CAUTION:** Do not install the battery cartridge forcibly. If the cartridge does not slide in easily, it is not being inserted correctly.

**NOTE:** The tool does not work with only one battery cartridge.

## Indicating the remaining battery capacity

Press the check button on the battery cartridge to indicate the remaining battery capacity. The indicator lamps light up for a few seconds.

► **Fig.3:** 1. Indicator lamps 2. Check button

Indicator lamps			Remaining capacity
Lighted	Off	Blinking	
■	□	▧	75% to 100%
■ ■ ■ ■			
■ ■ ■	□		50% to 75%
■ ■	□ □		25% to 50%
■	□ □ □		0% to 25%
▧	□ □ □ □		Charge the battery.
■ ■ □ □			The battery may have malfunctioned.
□ □ ■ ■	↑ ↓		

**NOTE:** Depending on the conditions of use and the ambient temperature, the indication may differ slightly from the actual capacity.

**NOTE:** The first (far left) indicator lamp will blink when the battery protection system works.

## Tool / battery protection system

The tool is equipped with a tool/battery protection system. This system automatically cuts off power to the motor to extend tool and battery life. The tool will automatically stop during operation if the tool or battery is placed under one of the following conditions.

### Overload protection

When the tool/battery is operated in a manner that causes it to draw an abnormally high current, the tool automatically stops. In this situation, turn the tool off and stop the application that caused the tool to become overloaded. Then turn the tool on to restart.

### Overheat protection

When the tool/battery is overheated, the tool stops automatically, and the lamp blinks. In this situation, let the tool cool down before turning the tool on again.

### Overdischarge protection

When the battery capacity becomes low, the tool stops automatically, and the indicator lamp of battery cartridge blinks. If the tool does not operate even when the switches are operated, remove the batteries from the tool and charge the batteries.

## Protections against other causes

Protection system is also designed for other causes that could damage the tool and allows the tool to stop automatically. Take all the following steps to clear the causes, when the tool has been brought to a temporary halt or stop in operation.

1. Turn the tool off, and then turn it on again to restart.
2. Charge the battery(ies) or replace it/them with recharged battery(ies).
3. Let the tool and battery(ies) cool down.

If no improvement can be found by restoring protection system, then contact your local Makita Service Center.

**NOTICE:** If the tool stops due to a cause not described above, refer to the section for troubleshooting.

## Overload alert

If the tool is operated with excessive load, the overload indicator will blink in red. In this situation, reduce the load on the tool. Then, the indicator stops blinking.

► **Fig.4:** 1. Overload indicator

## Switch action

**⚠ WARNING:** Before installing the battery cartridge into the tool, always check to see that the switch trigger actuates properly and returns to the "OFF" position when released.

**⚠ WARNING:** NEVER defeat the lock-off button by taping down or some other means. A switch with a negated lock-off button may result in unintentional operation and serious personal injury.

**⚠ WARNING:** NEVER use the tool if it runs when you simply pull the switch trigger without pressing the lock-off button. A switch in need of repair may result in unintentional operation and serious personal injury. Return tool to a Makita service center for proper repairs BEFORE further usage.

To prevent the switch trigger from being accidentally pulled, a lock-off button is provided. To start the tool, depress the lock-off button and pull the switch trigger. Release the switch trigger to stop.

► **Fig.5:** 1. Switch trigger 2. Lock-off button

**NOTICE:** Do not pull the switch trigger hard without pressing in the lock-off button. This can cause switch breakage.

## Lighting the lamp

**⚠ CAUTION:** Do not look in the light or see the source of light directly.

To turn on the lamp, press the lamp button. To turn off, press the lamp button again.

► **Fig.6:** 1. Lamp button 2. Lamp

**NOTE:** The lamp will automatically be turned off if there is no operation with the tool for one minute.

## Adjusting the wheel cover

Hold the wheel cover grip and adjust the position of the wheel cover suitable for your work.

► **Fig.7:** 1. Wheel cover grip

## Active feedback sensing technology

The tool electronically detects situations where the wheel may be at risk to be bound. In the situation, the tool is automatically shut off to prevent further rotation of the spindle (it does not prevent kickback).

To restart the tool, switch off the tool first, remove the cause of sudden drop in the rotation speed, and then turn the tool on.

## Electric brake

Electric brake is activated after the tool is switched off. The brake does not work when the power supply is shut down, such as the battery is removed accidentally, with the switch still on.

## ASSEMBLY

**⚠ CAUTION:** Always be sure that the tool is switched off and the battery cartridge is removed before carrying out any work on the tool.

## Installing or removing abrasive cut-off wheel / diamond wheel

**⚠ CAUTION:** Use only the Makita wrench to install or remove the wheel.

**⚠ CAUTION:** When installing the wheel, be sure to tighten the bolt securely.

**⚠ CAUTION:** Do not press the shaft lock button when the wheel is rotating.

To remove the wheel, press the shaft lock button and rotate the wheel until the wheel cannot revolve. While the shaft lock is fully locked, turn the hex bolt counter-clockwise using the box wrench. Then remove the hex bolt, flange, wheel, ring, and flange in order.

► **Fig.8:** 1. Shaft lock button 2. Box wrench 3. Tighten 4. Loosen

► **Fig.9:** 1. Hex bolt 2. Flange 3. Ring 4. Abrasive cut-off wheel / diamond wheel 5. Arrow (rotation direction of the wheel)

To install the wheel, follow the removal procedure in reverse.

**BE SURE TO TIGHTEN THE HEX BOLT SECURELY.**

**⚠ CAUTION:** Always install the wheel so that the arrow on it points in the same direction as the arrow on the wheel guard. Otherwise the wheel rotates in reverse, it may cause personal injury.

**⚠ CAUTION:** Only use the wheel that are marked with a speed equal or higher than the speed marked on the tool.

**NOTE:** When installing the wheel, be sure to attach the flanges so that the flat side of flange faces the wheel, and attach the ring that matches the inner diameter of the wheel.

► **Fig.10:** 1. Hex bolt 2. Flange 3. Ring 4. Abrasive cut-off wheel / diamond wheel

## Connecting to water supply

1. Prepare a water hose.
2. Remove the nut on the coupling sleeve and pass the water hose through the nut. Insert the end of the hose into the coupling sleeve and then tighten the nut.  
► **Fig.11:** 1. Water hose 2. Nut of the coupling sleeve 3. Coupling sleeve
3. Connect the water hose to the water supply.

When connecting to a water faucet, use a suitable fitting such as hose band or water tap joint.

► **Fig.12:** 1. Hose band 2. Water tap joint 3. Water hose

**NOTE:** The fitting depends on the shape of the faucet to which you connect. Prepare a suitable commercially-bought fitting.

**NOTE:** If you use a water tap joint, prepare another coupling sleeve and attach it to the other end of the hose.

**NOTE:** When using a water pump, follow the instructions of your water pump to connect the water hose.

4. Push the coupling sleeve into the water inlet until it locks with a click.

► **Fig.13:** 1. Coupling sleeve 2. Water inlet 3. Cock

**NOTICE:** Keep the cock closed until you start the cutting operation with water feeding. For how to feed water, refer to the section for the operation.

## OPERATION

**⚠ CAUTION:** Be sure to hold the workpiece firmly down on a stable bench or table during operation.

**⚠ CAUTION:** Do not twist or force the tool in the cut, or the motor may be overloaded or the workpiece may break.

## Cutting

**⚠ CAUTION:** During operation, do not bring the tool higher than your shoulder height.

► **Fig.14**

Hold the tool firmly. Grasp the handle with your right hand and the front grip with your left hand. To prevent electric shock by accidental cutting of an electric cable, always hold the front grip by the designated portion as shown in the figure.

► **Fig.15:** 1. Part to hold

Move the tool over the workpiece surface, keeping it flat and advancing smoothly until the cutting is completed. Keep your cutting line straight and your speed of advance uniform.

► Fig.16

**NOTE:** When the battery cartridge temperature is low, the tool may not work to its full capacity. At this time, for example, use the tool for a light-duty cut for a while until the battery cartridge warms up as high as room temperature. Then, the tool can work to its full capacity.

**NOTE:** If the cutting action of the diamond wheel begins to diminish, dress the cutting edge of the wheel using an old discarded coarse grit bench grinder wheel or concrete block. Dress by pressing lightly on the outer edge of the diamond wheel.

## When feeding water during cutting

**CAUTION:** When using a wet-type diamond wheel, always feed water during cutting.

Connect the tool to the water supply and turn the cock in the direction of the arrow as illustrated. Adjust the position of the cock to obtain a gentle flow of water.

► Fig.17: 1. Cock

**CAUTION:** When feeding water, always keep the tool head lower than the tool body to prevent water entering into the tool mechanism. Failure to do so may cause electric shock.

► Fig.18

## MAINTENANCE

**CAUTION:** Always be sure that the tool is switched off and the battery cartridge is removed before attempting to perform inspection or maintenance.

**NOTICE:** Never use gasoline, benzine, thinner, alcohol or the like. Discoloration, deformation or cracks may result.

To maintain product SAFETY and RELIABILITY, repairs, any other maintenance or adjustment should be performed by Makita Authorized or Factory Service Centers, always using Makita replacement parts.

## Cleaning the tool

After each use, remove the battery cartridges and the wheel, and then clean dust, dirt or metal chips accumulated inside the wheel guard. Clean the tool body by wiping off dust, dirt with a dry cloth or one dipped in soapy water and wrung out. Use a dry cloth to wipe the dirt off the lens of the lamp. Be careful not to scratch the lens of lamp, or it may lower the illumination.

► Fig.19: 1. Wheel guard 2. Lens of the lamp

## Cleaning the air vent

Regularly clean the tool's air vents or whenever the vents start to become obstructed.

► Fig.20: 1. Air vent

## Replacing the synchro-belt

1. Remove the battery cartridges and the wheel.
2. Loosen the hex socket bolts using the tip of the box wrench, and then remove the cover.  
► Fig.21: 1. Box wrench 2. Hex socket bolt 3. Cover
3. Push in the shaft lock button and hold it to lock the large pulley, and then turn the nut counterclockwise using the thin end of the box wrench.  
► Fig.22: 1. Large pulley 2. Shaft lock button
4. Push in the shaft lock button and hold it to lock the large pulley, and then turn the small disc counterclockwise using the thick end of the box wrench to loosen the synchro-belt.  
► Fig.23: 1. Shaft lock button 2. Large pulley 3. Small disc
5. Remove the belt.
6. With the grooves on the belt inside, attach one end of the belt to the small pulley, and then attach the other end of the belt to the large pulley.  
► Fig.24: 1. Belt 2. Large pulley 3. Small pulley
7. Push in the shaft lock button and hold it to lock the large pulley, and then turn the small disc clockwise using the thick end of the box wrench to tighten the belt.  
► Fig.25: 1. Shaft lock button 2. Large pulley

**NOTE:** Make sure that the small disc is in the position shown in the figure.

► Fig.26: 1. Small disc

8. Push in the shaft lock button and hold it to lock the large pulley, and then turn the nut clockwise using the thin end of the box wrench.  
► Fig.27: 1. Shaft lock button

**NOTE:** When tightening the nut, apply 19 - 21 N·m as tightening torque.

9. Attach the cover, and then tighten the hex socket bolts using the tip of the box wrench.

► Fig.28: 1. Box wrench 2. Hex socket bolt 3. Cover



# TROUBLESHOOTING

Before asking for repairs, conduct your own inspection first. If you find a problem that is not explained in the manual, do not attempt to dismantle the tool. Instead, ask Makita Authorized Service Centers, always using Makita replacement parts for repairs.

State of abnormality	Probable cause (malfunction)	Remedy
Motor does not run.	Battery cartridges are not installed.	Install two battery cartridges. This tool does not work with one battery cartridge.
	Battery problem (under voltage)	Recharge the battery. If recharging is not effective, replace the battery cartridge.
	The drive system does not work correctly.	Ask your local authorized service center for repair.
Motor stops running after a little use.	Battery's charge level is low.	Recharge the battery. If recharging is not effective, replace the battery cartridge.
	Overheating.	Stop using of tool to allow it to cool down.
The wheel rotation does not accelerate properly even after running the tool without load for 20 seconds.	Battery is installed improperly.	Install the battery cartridges as described in this manual.
	Battery power is dropping.	Recharge the battery cartridges. If recharging is not effective, replace the battery cartridge.
	The synchro-belt is slipping.	Replace the synchro-belt with new one.
	The drive system does not work correctly.	Ask your local authorized service center for repair.
Wheel does not rotate: ⇒ stop the machine immediately!	The synchro-belt is slipping.	Replace the synchro-belt with new one.
	Foreign object is jammed between the guard and the wheel.	Uninstall the battery cartridges and then remove the foreign object.
	The drive system does not work correctly.	Ask your local authorized service center for repair.
Abnormal vibration: ⇒ stop the machine immediately!	Improper attachment of the wheel.	Install the wheel as instructed in this manual. Tighten the bolt to secure the wheel firmly.
	The drive system does not work correctly.	Ask your local authorized service center for repair.
Cutting tool and motor cannot stop: ⇒ Remove the battery cartridge immediately!	Electric or electronic malfunction.	Remove the battery cartridges, and ask your local authorized service center for repair.
Poor cutting performance	It is time to replace the wheel.	Replace the wheel with new one.
Water leaks from the inlet.	Water is leaking from the O-ring part.	Ask your local authorized service center for repair.

## OPTIONAL ACCESSORIES

**⚠ CAUTION:** These accessories or attachments are recommended for use with your Makita tool specified in this manual. The use of any other accessories or attachments might present a risk of injury to persons. Only use accessory or attachment for its stated purpose.

If you need any assistance for more details regarding these accessories, ask your local Makita Service Center.

- Abrasive cut-off wheel
- Diamond wheel
- Ring set
- Synchro-belt
- Coupling sleeve
- Box wrench
- Makita genuine battery and charger

**NOTE:** Some items in the list may be included in the tool package as standard accessories. They may differ from country to country.

## 规格

型号:	<b>CE001G</b>
砂轮直径	355 mm
最大砂轮厚度	5.0 mm
最大切割深度	127 mm
额定速度	5,300 r/min
额定电压	D.C. 72 V - 80 V (最大)
可允许的最大供水压力	5.0 bar
总长度	786 mm
净重	12.3 - 12.9 kg
防护等级	IPX4

- 生产者保留变更规格不另行通知之权利。
- 规格可能因销往国家之不同而异。
- 重量因附件（包括电池组）而异。根据EPTA-Procedure 01/2014，最重与最轻的组合见表格。

## 适用电池组和充电器

电池组	BL4040 / BL4050F* *: 建议使用的电池
充电器	DC40RA / DC40RB / DC40RC

- 部分以上所列电池组和充电器是否适用视用户所在地区而异。

**警告：** 请仅使用以上所列电池组和充电器。使用其他类型的电池组或充电器可能会导致人身伤害和/或失火。

## 符号

以下显示本设备可能会使用的符号。在使用工具之前，请务必理解其含义。



阅读使用说明书。



佩带安全眼镜。



仅限于欧盟国家  
由于本设备中包含有害成分，因此废弃的电气和电子设备、蓄电池和普通电池可能会对环境 and 人体健康产生负面影响。请勿将电气和电子工具或电池与家庭普通废弃物放在一起处置！

根据欧洲关于废弃电气电子设备、蓄电池和普通电池的指令及其国家层面的修订法案，废弃的电气设备、普通电池和蓄电池应当单独存放并递送至城市垃圾收集点，根据环保法规进行处置。

此规定由标有叉形标志的带轮垃圾桶符号表示。

## 用途

此工具主要利用切割砂轮切削金属材料 and 利用金刚石砂轮切削砌体材料。

## 安全警告

### 电动工具通用安全警告

**警告：** 阅读随电动工具提供的所有安全警告、说明、图示和规定。不遵照以下所列说明会导致电击、着火和 / 或严重伤害。

## 保存所有警告和说明书以备查阅。

警告中的术语“电动工具”是指市电驱动（有线）电动工具或电池驱动（无线）电动工具。

### 工作场地的安全

1. 保持工作场地清洁和明亮。杂乱和黑暗的场地会引发事故。
2. 不要在易爆环境，如有易燃液体、气体或粉尘的环境下操作电动工具。电动工具产生的火花会点燃粉尘或气体。
3. 操作电动工具时，远离儿童和旁观者。注意力不集中会使你失去对工具的控制。

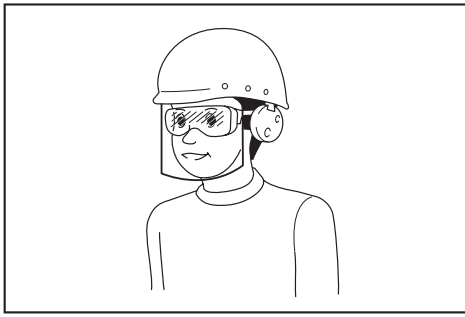
### 电气安全

1. 电动工具插头必须与插座相配。绝不能以任何方式改装插头。需接地的电动工具不能使用任何转换插头。未经改装的插头和相配的插座将降低电击风险。
2. 避免人体接触接地表面，如管道、散热片和冰箱。如果你身体接触接地表面会增加电击风险。
3. 不得将电动工具暴露在雨中或潮湿环境中。水进入电动工具将增加电击风险。
4. 不得滥用软线。绝不能用软线搬运、拉动电动工具或拔出其插头。使软线远离热源、油、锐边或运动部件。受损或缠绕的软线会增加电击风险。
5. 当在户外使用电动工具时，使用适合户外使用的延长线。适合户外使用的电线将降低电击风险。
6. 如果无法避免在潮湿环境中操作电动工具，应使用带有剩余电流装置（RCD）保护的电源。RCD的使用可降低电击风险。

7. 电动工具会产生对用户无害的电磁场（EMF）。但是，起搏器和其他类似医疗设备的用户应在操作本电动工具前咨询其设备的制造商和 / 或医生寻求建议。

### 人身安全

1. 保持警觉，当操作电动工具时关注所从事的操作并保持清醒。当你感到疲倦，或在有药物、酒精或治疗反应时，不要操作电动工具。在操作电动工具时瞬间的疏忽会导致严重人身伤害。
2. 使用个人防护装置。始终佩戴护目镜。防护装置，诸如适当条件下使用防尘面具、防滑安全鞋、安全帽、听力防护等装置能减少人身伤害。
3. 防止意外起动。在连接电源和/或电池包、拿起或搬运工具前确保开关处于关断位置。手指放在开关上搬运工具或开关处于接通时通电会导致危险。
4. 在电动工具接通之前，拿掉所有调节钥匙或扳手。遗留在电动工具旋转零件上的扳手或钥匙会导致人身伤害。
5. 手不要过分伸展。时刻注意立足点和身体平衡。这样能在意外情况下能更好地控制住电动工具。
6. 着装适当。不要穿宽松衣服或佩戴饰品。让你的头发和衣服远离运动部件。宽松衣服、配饰或长发可能会卷入运动部件。
7. 如果提供了与排屑、集尘设备连接用的装置，要确保其连接完好且使用得当。使用集尘装置可降低尘屑引起的危险。
8. 不要因为频繁使用工具而产生的熟悉感而掉以轻心，忽视工具的安全准则。某个粗心的动作可能在瞬间导致严重的伤害。
9. 使用电动工具时请始终佩带护目镜以免伤害眼睛。护目镜须符合美国ANSI Z87.1、欧洲EN 166或者澳大利亚 / 新西兰的AS/NZS 1336的规定。在澳大利亚 / 新西兰，法律要求佩带面罩保护脸部。



雇主有责任监督工具操作者和其他近工作区域人员佩戴合适的安全防护设备。

### 电动工具使用和注意事项

1. 不要勉强使用电动工具，根据用途使用合适的电动工具。选用合适的按照额定值设计的电动工具会使你工作更有效、更安全。
2. 如果开关不能接通或关断电源，则不能使用该电动工具。不能通过开关来控制的电动工具是危险的且必须进行修理。
3. 在进行任何调节、更换附件或贮存电动工具之前，必须从电源上拔掉插头和/或卸下电池包（如可拆卸）。这种防护性的安全措施降低了电动工具意外起动的风险。
4. 将闲置不用的电动工具贮存在儿童所及范围之外，并且不允许不熟悉电动工具和不了解这些说明的人操作电动工具。电动工具在未经培训的使用者手中是危险的。
5. 维护电动工具及其附件。检查运动部件是否调整到位或卡住，检查零件破损情况和影响电动工具运行的其他状况。如有损坏，应在使用前修理好电动工具。许多事故是由维护不良的电动工具引发的。
6. 保持切削刀具锋利和清洁。维护良好地有锋利切削刃的刀具不易卡住而且容易控制。
7. 按照使用说明书，并考虑作业条件和要进行的作业来选择电动工具、附件和工具的刀头等。将电动工具用于那些与其用途不符的操作可能会导致危险情况。
8. 保持手柄和握持表面干燥、清洁，不得沾有油脂。在意外的情况下，湿滑的手柄不能保证握持的安全和对工具的控制。
9. 使用本工具时，请勿佩戴可能会缠绕的布质工作手套。布质工作手套卷入移动部件可能会造成人身伤害。

### 电池式工具使用和注意事项

1. 仅使用生产者规定的充电器充电。将适用于某种电池包的充电器用到其他电池包时可能会发生着火危险。
2. 仅使用配有专用电池包的电动工具。使用其他电池包可能会产生伤害和着火危险。
3. 当电池包不用时，将它远离其他金属物体，例如回形针、硬币、钥匙、钉子、螺钉或其他小金属物体，以防电池包一端与另一端连接。电池组端部短路可能会引起燃烧或着火。
4. 在滥用条件下，液体会可能从电池组中溅出；应避免接触。如果意外碰到液体，用水冲洗。如果液体碰到了眼睛，还应寻求医疗帮助。从电池中溅出的液体可能会发生腐蚀或燃烧。
5. 不要使用损坏或改装过的电池包或工具。损坏或改装过的电池组可能呈现无法预测的结果，导致着火、爆炸或伤害。
6. 不要将电池包暴露于火或高温中。电池包暴露于火或高于 130 °C 的高温中可能导致爆炸。
7. 遵循所有充电说明。不要在说明书中指定的温度范围之外给电池包或电动工具充电。不正确或在指定的温度范围外充电可能会损坏电池和增加着火的风险。

### 维修

1. 让专业维修人员使用相同的备件维修电动工具。这将保证所维修的电动工具的安全。
2. 决不能维修损坏的电池包。电池包仅能由生产者或其授权的维修服务商进行维修。
3. 上润滑油及更换附件时请遵循本说明书指示。

### 充电式切割机使用安全警告

1. 随工具附带的砂轮罩必须牢固安装到电动工具上并放置在最为安全的位置，使得砂轮外露的部分尽可能地少。使您自己和旁观者远离旋转的砂轮。砂轮罩可防止操作者被砂轮碎片划伤或意外接触到砂轮。
2. 只能使用适合当前电动工具专用的高韧度或金刚石切割砂轮。其他附件虽然可安装到电动工具上，但无法确保操作安全。

- 附件的额定速度必须至少等同于电动工具上标示的最大速度。当运转速度大于额定速度时，附件可能会破裂并飞出。
- 仅可将砂轮用于推荐的应用情况。例如：请勿用切割砂轮的侧面进行磨削。切割砂轮用于进行外围磨削，对这些砂轮应用侧力可能会导致其破碎。
- 请务必使用未损坏的砂轮法兰，直径应符合您所选的砂轮。正确的砂轮法兰可减少砂轮破裂的危险。
- 请勿使用从大型电动工具上拆下来的已磨损的高强度砂轮。大型电动工具使用的砂轮不适用于高速运转的小型工具，使用时可能会爆裂。
- 附件的外径和厚度必须在工具的额定能力之内。尺寸不正确的附件将无法安全操控。
- 砂轮和法兰的轴孔尺寸必须与电动工具的主轴匹配。与电动工具的安装硬件不匹配的砂轮和法兰（带轴孔）将失去平衡，振动过度并可能导致失控。
- 请勿使用损坏的砂轮。每次使用前，请检查砂轮有无碎片和裂缝。如果电动工具或砂轮掉落，请检查有无损坏或重新安装一个无损坏的砂轮。检查和安装了砂轮之后，请使旁观者以及您自己远离旋转的砂轮，并以最大空载速度运行电动工具一分钟。损坏的砂轮通常会在此测试期间破裂。
- 请穿戴个人劳防用品。根据应用情况，请使用面罩、安全护目镜或安全眼镜。根据情况佩带可防止较小的砂磨碎片或工件碎片的防尘面罩、耳罩、手套和车间的围裙。护目镜必须具备可以防止多种操作所产生的飞溅的碎片伤害到您的能力。防尘面罩或呼吸器必须具备可过滤操作中产生的微粒的能力。长时间的高强度噪音可能会损伤您的听力。
- 使旁观者远离工作区域，保持一定的安全距离。所有进入工作区域的人员必须穿戴个人劳防用品。工件的碎片或破损的砂轮可能会飞溅到操作区域以外并导致人身伤害。
- 当进行作业时切割附件可能会接触到隐藏的电线，请仅握住电动工具的绝缘抓握表面。切割附件接触到“带电”的电线时，电动工具上曝露的金属部分可能也会“带电”，并使操作者触电。
- 在附件完全停止之前切勿将工具放下。旋转砂轮可能会碰撞地面或工作台面而导致工具失控。
- 您身边携带电动工具时请勿运行工具。防止因不小心接触到旋转附件而导致衣物被卷入，甚至伤及身体。
- 请定期清洁工具的通风口。电机的风扇会将灰尘带入外壳，过多的金属粉末累积会导致电气危害。
- 请勿在可燃物附近运行电动工具。火花可能会点燃这些物品。

### 反弹和相关的警告

反弹是正在旋转的砂轮发生卡滞时突然产生的反作用力。卡滞会导致旋转砂轮快速停止，从而导致在卡滞点处对失控的工具产生与砂轮旋转方向相反的作用力。

例如，如果工件使得砂轮卡滞，则进入卡滞点的砂轮边缘将进入工件材料的表面，导致砂轮跳出或弹出。根据砂轮在卡滞点的运动方向，砂轮可能会跳向或远离操作者。在这种情况下，砂轮也可能会破裂。

电动工具误操作和 / 或不正确的操作步骤或操作条件将导致反弹，遵守以下所述的注意事项即可避免。

- 请牢固握持电动工具的把手，调整身体和手臂位置以防止反弹力。如果提供了辅助手柄，请务必使用，以在启动时最大程度地控制反弹或转矩反作用力。如果正确遵守注意事项，操作者可控制转矩反作用力或反弹力。
- 切勿将手靠近旋转的附件。附件可能会反弹到您手上。
- 请勿与旋转的砂轮成一直线站立。反弹会在卡滞点处以与砂轮运动方向相反的力作用于砂轮。
- 当处理边角、锐利的边缘等处时请特别小心。避免使附件跳跃和卡滞。边角、锐利的边缘或附件发生跳跃可能会使旋转的附件被钩住并导致工具失控或反弹。
- 请勿安装锯链、木雕锯片、外围间隙大于10 mm的扇形金刚石砂轮或齿状锯片。这些锯片会发生频繁的反弹并导致工具失控。
- 请勿“挤压”砂轮或对其过度施压。请勿试图切割过深。对砂轮过度施压会使负荷增加，使砂轮在切割时易于扭曲或卡滞，也使发生反弹或砂轮破裂的可能性增大。
- 当砂轮卡滞或因任何原因中断切割操作时，请关闭电动工具并将工具保持不动，直至砂轮完全停止。当砂轮还在运动中时，切勿试图将砂轮从工件中取出，否则可能会造成反弹。研究并采取正确的措施以避免砂轮卡滞。

8. 请勿在工件中重新启动切割操作。请等到砂轮到达全速后再小心地重新进行切割。如果电动工具在工件中重新启动，则砂轮可能会卡滞、移动或反弹。
9. 请支撑面板或其他大型工件以最大限度地降低砂轮卡滞和反弹的可能。大型工件会因自身的重量而下陷。必须在工件下面靠近切割线和砂轮两侧工件边缘放置支撑件。
10. 当在墙壁或其他盲区进行“袖珍切割”时请尤其小心。凸出的砂轮可能会切割到气管或水管、电线或其他物体，从而导致反弹。

#### 附加安全警告：

1. 使用扇形金钢石砂轮之前，请确保金钢石砂轮节块间的外围间隙为**10 mm**或更小，并且只具有一个负倾角。
2. 切勿试图使用虎钳将工具上下颠倒进行切割。这样做非常危险，可能会导致严重事故。
3. 某些材料含有有毒化学物质。小心不要吸入粉尘，并避免皮肤接触。遵循材料供应商的安全提示。
4. 遵照制造商的推荐存放砂轮。存放不正确可能会损坏砂轮。
5. 务必使用适合工作情况和切割材料的砂轮。
6. 切割前请检查待切割的材料。若材料中包含易燃易爆物体，则可能会引起爆炸或火灾。
7. 当砂轮和砂轮罩之间卡入异物时，请勿开启工具。此时，请拆卸电池组，并清除异物。
8. 如条件允许，请使用夹具或同类工具固定工件。
9. 操作时请务必佩戴耳罩。
10. 请勿使用此工具切割木质材料。
11. 砂轮的外直径和厚度必须在电动工具的额定能力之内。若砂轮尺寸不当，将无法安全操控。
12. 操作电动工具时，请用双手牢固持握电动工具的手柄，调整身体和手臂位置以防止反弹力。
13. 使手部或脸部远离旋转的砂轮。
14. 调节轮罩至适当位置以方便作业。
15. 在泥泞地面、潮湿坡道或湿滑的地方使用工具时，请注意立足稳固。
16. 请勿将工具浸入水坑中。
17. 请勿在雨天将工具置于室外无人看管。

18. 请勿在雨中更换电池。
19. 存放工具时，避免直射阳光和淋雨，将其存放在不会变热或变潮的位置。

## 请保留此说明书。

**警告：** 请勿为图方便或因对产品足够熟悉（由于重复使用而获得的经验）而不严格遵循相关产品安全规则。使用不当或不遵循使用说明书中的安全规则会导致严重的人身伤害。

### 电池组的重要安全注意事项

1. 在使用电池组之前，请仔细阅读所有的说明以及（1）电池充电器，（2）电池，以及（3）使用电池的产品上的警告标记。
2. 切勿拆卸或改装电池组。否则可能引起火灾、过热或爆炸。
3. 如果机器运行时间变得过短，请立即停止使用。否则可能会导致过热、起火甚至爆炸。
4. 如果电解液进入您的眼睛，请用清水将其冲洗干净并立即就医。否则可能会导致视力受损。
5. 请勿使电池组短路：
  - (1) 请勿使任何导电材料碰触到端子。
  - (2) 避免将电池组与其他金属物品如钉子、硬币等放置在同一容器内。
  - (3) 请勿将电池组置于水中或使其淋雨。电池短路将产生大的电流，导致过热，并可能导致起火甚至击穿。
6. 请勿在温度可能达到或超过**50°C**（**122°F**）的场所存放以及使用工具和电池组。
7. 即使电池组已经严重损坏或完全磨损，也请勿焚烧电池组。电池组会在火中爆炸。
8. 请勿对电池组射钉，或者切割、挤压、抛掷、掉落电池组，又或者用硬物撞击电池组。否则可能引起火灾、过热或爆炸。
9. 请勿使用损坏的电池。

10. 本工具附带的锂离子电池需符合危险品法规要求。  
第三方或转运营代理等进行商业运输时，应遵循包装和标识方面的特殊要求。有关运输项目的准备作业，咨询危险方面的专业人士。同时，请遵守可能更为详尽的国家法规。  
请使用胶带保护且勿遮掩表面的联络信息，并牢固封装电池，使电池在包装内不可动。
11. 丢弃电池组时，需将其从工具上卸下并在安全地带进行处理。关于如何处理废弃的电池，请遵循当地法规。
12. 仅将电池用于Makita（牧田）指定的产品。将电池安装至不兼容的产品会导致起火、过热、爆炸或电解液泄漏。
13. 如长时间未使用工具，必须将电池从工具内取出。
14. 使用工具期间以及使用工具之后，电池组温度可能较高易引起灼伤或低温烫伤。处理高温电池组时请小心操作。
15. 在使用工具后请勿立即触碰工具的端子，否则可能引起灼伤。
16. 避免锯屑、灰尘或泥土卡入电池组的端子、孔口和凹槽内。否则可能会导致过热、着火、爆炸和工具/电池组故障，导致烫伤或人身伤害。

17. 除非工具支持在高压电源线路附近使用，否则请勿在高压电源线路附近使用电池组。否则可能导致工具或电池组故障或失常。
18. 确保电池远离儿童。

## 请保留此说明书。

**⚠小心：** 请仅使用Makita（牧田）原装电池。使用非Makita（牧田）原装电池或经过改装的电池可能会导致电池爆炸，从而造成火灾、人身伤害或物品受损。同时也会导致牧田工具和充电器的牧田保修服务失效。

## 保持电池最大使用寿命的提示

1. 在电池组电量完全耗尽前及时充电。发现工具电量低时，请停止工具操作，并给电池组充电。
2. 请勿对已充满电的电池组重新充电。过度充电将缩短电池的使用寿命。
3. 请在10 °C - 40 °C (50 °F - 104 °F) 的室温条件下给电池组充电。请在灼热的电池组冷却后再充电。
4. 不使用电池组时，请将其从工具或充电器上拆除。
5. 如果电池组长时间（超过六个月）未使用，请给其充电。

## 部件说明

### ► 图片1

1	切割砂轮 / 金刚石砂轮	2	砂轮罩	3	轮罩把手	4	前把手
5	照明灯	6	电池组	7	锁止按钮	8	脚轮
9	轴锁按钮	10	护盖（用于V型带）	11	旋塞	12	进水口
13	手柄	14	开关扳机	15	照明灯按钮	16	过载指示灯
17	连接套筒	18	套筒扳手	-	-	-	-

## 功能描述

**⚠小心：** 调节或检查工具功能之前，请务必关闭工具的电源并取出电池组。

## 安装或拆卸电池组

**⚠小心：** 安装或拆卸电池组之前，请务必关闭工具电源。

**⚠小心：** 安装或拆卸电池组时请握紧工具和电池组。否则它们可能从您的手中滑落，导致工具和电池组受损，甚至造成人身伤害。

安装电池组时，要将电池组上的舌簧与外罩上的凹槽对齐，然后推滑到位。将其完全插入到位，直到锁定并发出咔哒声为止。如果插入后仍能看到按钮上侧的红色指示器，则说明其未完全锁紧。

► **图片2:** 1. 红色指示器 2. 按钮 3. 电池组

要拆下电池组时，请在按下电池组前侧按钮的同时取出电池组。

**⚠️小心：** 务必完全装入电池组，直至看不见红色指示灯。否则它可能会意外从工具中脱落，从而造成自身或他人受伤。

**⚠️小心：** 请勿强行安装电池组。如果电池组难以插入，可能是插入方法不当。

**注：** 仅安装单个电池组时，工具无法工作。

## 显示电池的剩余电量

按电池组上的CHECK（查看）按钮可显示电池剩余电量。指示灯将亮起数秒。

► **图片3:** 1. 指示灯 2. CHECK（查看）按钮

指示灯			剩余电量
■ 点亮	□ 熄灭	▧ 闪烁	
■	■	■	75%至100%
■	■	□	50%至75%
■	□	□	25%至50%
■	□	□	0%至25%
▧	□	□	给电池充电。
■	■	□	电池可能出现故障。
□	□	■	

**注：** 在不同的使用条件及环境温度下，指示灯所示电量可能与实际情况略有不同。

**注：** 当电池保护系统启动时，第一个（最左侧）指示灯将闪烁。

## 工具 / 电池保护系统

本工具配备有工具 / 电池保护系统。该系统可自动切断机电源以延长工具和电池寿命。作业时，如果工具或电池处于以下情况，工具将会自动停止运转。部分情况下，指示灯会亮起。

### 过载保护

以导致异常高电流的方式操作工具/电池时，工具会自动停止运转。在这种情况下，请关闭工具并停止导致工具过载的应用操作。然后开启工具重新启动。

### 过热保护

工具 / 电池过热时，工具将自动停止运转且指示灯闪烁。在这种情况下，请等待工具冷却后再重新开启工具。

### 过放电保护

电池电量变低时，工具将自动停止运转并且电池组的指示灯闪烁。如果即使在打开开关时本工具仍不运转，请从工具上拆下电池并给电池充电。

### 其他原因防护

保护系统还适用于其他可能导致工具受损的情况，从而使工具自动停止运转。工具暂时或中途停止工作时，执行以下所有步骤以排除异常原因。

1. 关闭工具，然后再次重新启动。
2. 给电池充电或更换为充电电池。
3. 请等待机器和电池冷却。

如果保护系统恢复后仍无改善，请联络当地的Makita（牧田）维修服务中心。

**注意：** 如果工具因上述所述以外的原因停止，请参阅故障排除部分。

### 过载警告

工具过载操作时，过载指示灯呈红色闪烁。在这种情况下，请降低工具负载。随后，指示灯停止闪烁。

► **图片4:** 1. 过载指示灯



## 开关操作

**警告：** 在将电池组插入工具之前，请务必检查开关扳机是否能扣动自如，松开时能否退回至“OFF”（关闭）位置。

**警告：** 切勿通过按压锁止按钮或其他方法来弃用锁止按钮。使用弃用锁止按钮的开关时可能会出现意外运行的情况并导致严重的人身伤害。

**警告：** 如果当您只是扣动开关扳机而没有按下锁止按钮时，工具即开始运行，则切勿使用此工具。在开关需要维修的情况下，使用工具时可能会出现意外运行的情况并导致严重的人身伤害。在进一步使用该工具之前，请将其送回Makita（牧田）维修中心进行正确的修理。

为避免使用者不小心扣动开关扳机，本工具采用锁止按钮。要启动工具时，按下锁止按钮，然后扣动开关扳机即可。松开开关扳机，工具即停止。

► **图片5：** 1. 开关扳机 2. 锁止按钮

**注意：** 请勿在没有按下锁止按钮的情况下用力扣动开关扳机。否则可能会导致开关破损。

## 点亮照明灯

**小心：** 请勿直视灯光或光源。

要开启照明灯时，请按照照明灯按钮。要关闭时，请再次按照照明灯按钮。

► **图片6：** 1. 照明灯按钮 2. 照明灯

**注：** 若一分钟内未操作工具，照明灯将自动关闭。

## 调节轮罩

握住轮罩把手并调节轮罩至适当位置以方便作业。

► **图片7：** 1. 轮罩把手

## 主动反馈感测技术

本工具可以电子方式检测砂轮是否有卡滞的风险。在这种情况下，本工具会自动切断电源以防止主轴继续旋转（无法防止反弹）。要重新启动工具，请先关闭工具，排除旋转速度突然下降的原因，然后再启动工具。

## 电动制动器

在关闭工具开关后，电动制动器启用。在切断电源（如意外取出电池）但不关闭工具开关的情况下，该制动器不工作。

## 装配

**小心：** 对工具进行任何装配操作前，请务必关闭工具电源，并取出电池组。

## 安装或拆卸切割砂轮 / 金刚石砂轮

**小心：** 请仅使用Makita（牧田）扳手来安装或拆卸砂轮。

**小心：** 安装砂轮时，请务必拧紧螺栓。

**小心：** 当砂轮旋转时，请勿按下轴锁按钮。

若要拆卸砂轮，请按下轴锁按钮，然后旋转砂轮直至砂轮无法转动为止。当轴锁完全锁定时，使用套筒扳手逆时针旋转六角螺栓。然后依次拆下六角螺栓、法兰、砂轮、挡圈和法兰。

► **图片8：** 1. 轴锁按钮 2. 套筒扳手 3. 拧紧 4. 拧松

► **图片9：** 1. 六角螺栓 2. 法兰 3. 挡圈 4. 切割砂轮 / 金刚石砂轮 5. 箭头（砂轮的旋转方向）

若要安装砂轮，请按照与拆卸程序相反的顺序执行操作。

务必将六角螺栓拧紧牢固。

**小心：** 安装砂轮时，使砂轮上的箭头与砂轮罩上的箭头指向同一个方向。否则砂轮会反向旋转，由此可能造成人身伤害。

**小心：** 只能使用标示速度等于或大于工具标示速度的砂轮。

**注：** 安装砂轮时，请务必将法兰平坦侧朝向砂轮安装法兰，并安装匹配砂轮内径的挡圈。

► **图片10：** 1. 六角螺栓 2. 法兰 3. 挡圈 4. 切割砂轮 / 金刚石砂轮

## 连接水源

1. 准备水管。

2. 拆下连接套筒上的螺母，然后将水管穿过螺母。将水管一端插入连接套筒，然后拧紧螺母。

► **图片11:** 1. 水管 2. 连接套筒的螺母 3. 连接套筒

3. 将水管连接至水源。

当连接水龙头时，请使用合适的配件，例如软管束带或水龙头接头。

► **图片12:** 1. 软管束带 2. 水龙头接头 3. 水管

**注：** 配件取决于您所连接的水龙头形状。准备合适的市售配件。

**注：** 若使用水龙头接头，请另外准备一个连接套筒，并将其连接至水管的另一端。

**注：** 在使用水泵时，请按照水泵说明书连接水管。

4. 将连接套筒压入进水口内，直至听到咔哒声确认其锁定为止。

► **图片13:** 1. 连接套筒 2. 进水口 3. 旋塞

**注意：** 在开始供水执行切割操作之前，确保旋塞处于关闭状态。有关供水方法，请参阅操作章节。

## 操作

**⚠小心：** 操作期间，请务必将工件牢牢地固定在稳定的工作台上。

**⚠小心：** 切割期间不要扭歪或用力推工具，否则会使电机超载或者损坏工件。

## 切割

**⚠小心：** 操作工具期间，避免工具高过您的肩部。

► **图片14**

请牢握本工具。用右手抓牢手柄，左手抓牢前把手。为避免意外切割电缆引发触电，请始终握住图中所示前把手上指定的部分。

► **图片15:** 1. 抓持区域

将工具移至工件表面上方，然后使其保持平稳进给，直至切割操作完成。请保持切割线笔直，并确保锯片匀速进给。

► **图片16**

**注：** 电池组温度较低时，工具可能无法完全发挥其性能。这种情况下，请使用工具先进行轻负荷切割，直至电池组的温度升为室温。然后，工具即可完全发挥其性能。

**注：** 如果金刚石砂轮的切割作用减弱了的话，用旧的丢弃的粗糙磨石台式砂轮机用砂轮或者混凝土块打磨砂轮的切割刃。打磨时轻按金刚石砂轮的外刃。

## 在切割期间供水时

**⚠小心：** 当使用湿式金刚石砂轮时，切割过程中应保持供水。

将工具连接至水源，然后沿图示箭头方向旋转旋塞。调节旋塞位置使水流平缓。

► **图片17:** 1. 旋塞

**⚠小心：** 供水时，确保工具头部始终低于工具主体，以防止水进入工具装置内部。否则可能会引发触电。

► **图片18**

## 保养

**⚠小心：** 检查或保养工具之前，请务必关闭工具电源并取出电池组。

**注意：** 切勿使用汽油、苯、稀释剂、酒精或类似物品清洁工具。否则可能会导致工具变色、变形或出现裂缝。

为了保证产品的安全与可靠性，维修、任何其他维修保养或调节需由Makita（牧田）授权的或工厂维修服务中心完成。务必使用Makita（牧田）的替换部件。

## 清洁工具

每次使用后，取下电池组和砂轮，然后清洁砂轮罩内侧累积的灰尘、污垢或金属碎屑。用干布或浸在肥皂水中后拧干的布料擦拭工具主体上的灰尘和污垢。请使用干布清除照明灯镜面上的污垢。注意不要刮花照明灯镜面，否则会降低照明亮度。

► **图片19:** 1. 砂轮罩 2. 照明灯镜面

## 清洁通风口

定期清洁通风口或在通风口开始被堵塞时进行清洁。

► **图片20:** 1. 通风口

## 更换同步带

1. 取下电池组和砂轮。

2. 使用套筒扳手头拧松内六角螺栓，然后拆卸护盖。

► **图片21:** 1. 套筒扳手 2. 内六角螺栓 3. 护盖

3. 推入轴锁按钮并按住以锁定大皮带轮，然后使用套筒扳手的细端逆时针旋转螺母。

► **图片22:** 1. 大皮带轮 2. 轴锁按钮

4. 推入轴锁按钮并按住以锁定大皮带轮，然后使用套筒扳手的粗端逆时针旋转小垫片将同步带松开。

► **图片23:** 1. 轴锁按钮 2. 大皮带轮 3. 小垫片

5. 拆卸皮带。

6. 使凹槽在皮带内侧，将皮带一端安装至小皮带轮，然后将皮带另一端安装至大皮带轮。

► **图片24:** 1. 皮带 2. 大皮带轮 3. 小皮带轮

7. 推入轴锁按钮并按住以锁定大皮带轮，然后使用套筒扳手的粗端顺时针旋转小垫片将同步带拉紧。

► **图片25:** 1. 轴锁按钮 2. 大皮带轮

**注:** 确保小垫片位于如图所示的位置。

► **图片26:** 1. 小垫片

8. 推入轴锁按钮并按住以锁定大皮带轮，然后使用套筒扳手的细端顺时针旋转螺母。

► **图片27:** 1. 轴锁按钮

**注:** 拧紧螺母时，施加19至21 N·m的紧固转矩。

9. 安装护盖，然后使用套筒扳手头拧紧内六角螺栓。

► **图片28:** 1. 套筒扳手 2. 内六角螺栓 3. 护盖

## 故障排除

请求维修前，请首先自行检查。如果您发现本手册中未作说明的问题，请勿拆解工具。而请联络Makita（牧田）授权维修服务中心，务必使用Makita（牧田）的替换部件进行修复。

异常状态	可能原因（故障）	纠正措施
电机不旋转。	未安装电池组。	安装两个电池组。安装单个电池组时，工具无法工作。
	电池故障（欠压）	请给电池充电。如果充电无效，则更换电池组。
	驱动系统未正常工作。	请当地授权的维修服务中心进行维修。
使用一段时间后电机不旋转。	电池电量低。	请给电池充电。如果充电无效，则更换电池组。
	过热。	停止使用工具使之冷却。
在无负载条件下运转20秒之后，砂轮依然无法正常加速。	电池安装不当。	按本手册所述安装电池组。
	电池电力下降。	请给电池组重新充电。如果重新充电无效，则更换电池组。
	同步带打滑。	更换新的同步带。
	驱动系统未正常工作。	请当地授权的维修服务中心进行维修。

异常状态	可能原因（故障）	纠正措施
砂轮未转动： ⇒ 立即停止机器！	同步带打滑。	更换新的同步带。
	异物卡在保护罩和砂轮之间。	请拆下电池组，然后清除异物。
	驱动系统未正常工作。	请当地授权的维修服务中心进行维修。
异常振动： ⇒ 立即停止机器！	砂轮安装不当。	请按本手册所述安装砂轮。拧紧螺栓使砂轮固定牢固。
	驱动系统未正常工作。	请当地授权的维修服务中心进行维修。
切割工具和电机无法停止： ⇒ 立即取出电池组！	电力或电子故障。	拆下电池组并请当地授权维修服务中心进行修复。
切割性能不佳	已到更换砂轮的时间。	更换新的砂轮。
进水口漏水。	O型环部分漏水。	请到当地授权的维修服务中心进行维修。

## 选购附件

**⚠小心：** 这些附件或装置专用于本说明书所列的**Makita（牧田）**工具。如使用其他厂牌附件或装置，可能导致人身伤害。仅可将附件或装置用于规定目的。

如您需要了解更多关于这些选购附件的信息，请咨询当地的**Makita（牧田）**维修服务中心。

- 切割砂轮
- 金刚石砂轮
- 挡圈组
- 同步带
- 连接套筒
- 套筒扳手
- **Makita（牧田）**原装电池和充电器

**注：** 本列表中的一些部件可能作为标准配件包含于工具包装内。它们可能因销往国家之不同而异。

## SPESIFIKASI

Model:	CE001G
Diameter roda	355 mm
Ketebalan roda maks.	5,0 mm
Kedalaman pemotongan maks.	127 mm
Kecepatan terukur	5.300 min <sup>-1</sup>
Tegangan terukur	D.C. 72 V - 80 V maks
Tekanan masuk air maks. yang diizinkan	5,0 bar
Panjang keseluruhan	786 mm
Berat bersih	12,3 - 12,9 kg
Derajat perlindungan	IPX4

- Karena kesinambungan program penelitian dan pengembangan kami, spesifikasi yang disebutkan di sini dapat berubah tanpa pemberitahuan.
- Spesifikasi dapat berbeda dari satu negara ke negara lainnya.
- Berat alat mungkin berbeda tergantung perangkat tambahan yang dipasang, termasuk kartrid baterai. Kombinasi alat terberat dan teringan, sesuai Prosedur EPTA 01/2014, ditunjukkan pada tabel.

## Kartrid dan pengisi daya baterai yang dapat digunakan

Kartrid baterai	BL4040 / BL4050F* *: Baterai yang direkomendasikan
Pengisi daya	DC40RA / DC40RB / DC40RC

- Beberapa kartrid baterai dan pengisi daya yang tercantum di atas mungkin tidak tersedia, tergantung wilayah tempat tinggal Anda.

**⚠ PERINGATAN:** Hanya gunakan kartrid dan pengisi daya baterai yang tercantum di atas. Penggunaan kartrid dan pengisi daya baterai lain dapat menimbulkan risiko cedera dan/atau kebakaran.

## Simbol

Berikut ini adalah simbol-simbol yang dapat digunakan pada peralatan ini. Pastikan Anda memahami arti masing-masing simbol sebelum menggunakan peralatan.



Baca petunjuk penggunaan.



Gunakan kaca mata pengaman.



Hanya untuk negara-negara UE  
Akibat adanya komponen berbahaya dalam peralatan, limbah peralatan listrik dan elektronik, aki dan baterai dapat memiliki dampak negatif pada lingkungan dan kesehatan manusia.

Jangan buang peralatan listrik dan elektronik atau baterai bersama limbah rumah tangga!

Sesuai dengan Petunjuk Eropa tentang limbah peralatan listrik dan elektronik dan tentang aki dan baterai serta limbah aki dan baterai, serta penyesuaiannya terhadap undang-undang nasional, limbah peralatan listrik, baterai dan aki harus disimpan secara terpisah dan dikirim ke tempat pengumpulan terpisah untuk sampah kota, beroperasi sesuai dengan peraturan tentang perlindungan lingkungan.

Hal ini ditunjukkan dengan simbol tempat sampah bersilang yang ditempatkan pada peralatan.

## Penggunaan

Mesin ini ditujukan untuk memotong material logam dengan roda pemotong abrasif dan juga material batu dengan roda intan.

# PERINGATAN KESELAMATAN

## Peringatan keselamatan umum mesin listrik

**⚠️ PERINGATAN:** Bacalah semua peringatan keselamatan, petunjuk, ilustrasi dan spesifikasi yang disertakan bersama mesin listrik ini. Kelalaian untuk mematuhi semua petunjuk yang tercantum di bawah ini dapat menyebabkan sengatan listrik, kebakaran dan/atau cedera serius.

## Simpanlah semua peringatan dan petunjuk untuk acuan di masa depan.

Istilah "mesin listrik" dalam semua peringatan mengacu pada mesin listrik yang dijalankan dengan sumber listrik jala-jala (berkabel) atau baterai (tanpa kabel).

### Keselamatan tempat kerja

1. **Jaga tempat kerja selalu bersih dan berpenerangan cukup.** Tempat kerja yang berantakan dan gelap mengundang kecelakaan.
2. **Jangan gunakan mesin listrik dalam lingkungan yang mudah meledak, misalnya jika ada cairan, gas, atau debu yang mudah menyala.** Mesin listrik menimbulkan bunga api yang dapat menyalakan debu atau uap tersebut.
3. **Jauhkan anak-anak dan orang lain saat menggunakan mesin listrik.** Bila perhatian terpecah, anda dapat kehilangan kendali.

### Keamanan Kelistrikan

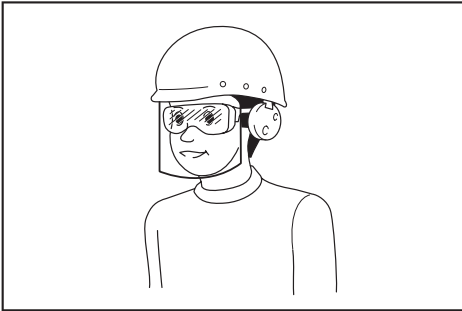
1. **Steker mesin listrik harus cocok dengan stopkontak. Jangan sekali-kali mengubah steker dengan cara apa pun. Jangan menggunakan steker adaptor dengan mesin listrik terbumi (dibumikan).** Steker yang tidak diubah dan stopkontak yang cocok akan mengurangi risiko sengatan listrik.
2. **Hindari sentuhan tubuh dengan permukaan terbumi atau yang dibumikan seperti pipa, radiator, kompor, dan kulkas.** Risiko sengatan listrik bertambah jika tubuh Anda terbumikan atau dibumikan.
3. **Jangan membiarkan mesin listrik kehujanan atau kebasahan.** Air yang masuk ke dalam mesin listrik akan meningkatkan risiko sengatan listrik.
4. **Jangan menyalahgunakan kabel. Jangan sekali-kali menggunakan kabel untuk membawa, menarik, atau mencabut mesin listrik dari stopkontak. Jauhkan kabel dari panas, minyak, tepian tajam, atau bagian yang bergerak.** Kabel yang rusak atau kusut memperbesar risiko sengatan listrik.
5. **Bila menggunakan mesin listrik di luar ruangan, gunakan kabel ekstensi yang sesuai untuk penggunaan di luar ruangan.** Penggunaan kabel yang sesuai untuk penggunaan luar ruangan mengurangi risiko sengatan listrik.

6. **Jika mengoperasikan mesin listrik di lokasi lembap tidak terhindarkan, gunakan pasokan daya yang dilindungi peranti imbasan arus (residual current device - RCD).** Penggunaan RCD mengurangi risiko sengatan listrik.
7. **Mesin listrik dapat menghasilkan medan magnet (EMF) yang tidak berbahaya bagi pengguna.** Namun, pengguna alat pacu jantung atau peralatan medis sejenisnya harus berkonsultasi dengan produsen peralatan tersebut dan/atau dokter mereka sebelum mengoperasikan mesin listrik ini.

### Keselamatan Diri

1. **Jaga kewaspadaan, perhatikan pekerjaan Anda dan gunakan akal sehat bila menggunakan mesin listrik. Jangan menggunakan mesin listrik saat Anda lelah atau di bawah pengaruh obat bius, alkohol, atau obat.** Sekejap saja lalai saat menggunakan mesin listrik dapat menyebabkan cedera badan serius.
2. **Gunakan alat pelindung diri. Selalu gunakan pelindung mata.** Peralatan pelindung seperti masker debu, sepatu pengaman anti-selip, helm pengaman, atau pelindung telinga yang digunakan untuk kondisi yang sesuai akan mengurangi risiko cedera badan.
3. **Cegah penyalaaan yang tidak disengaja. Pastikan bahwa sakelar berada dalam posisi mati (off) sebelum menghubungkan mesin ke sumber daya dan/atau paket baterai, atau mengangkat atau membawanya.** Membawa mesin listrik dengan jari Anda pada sakelarnya atau mengalirkan listrik pada mesin listrik yang sakelarnya hidup (on) akan mengundang kecelakaan.
4. **Lepaskan kunci-kunci penyetel sebelum menghidupkan mesin listrik.** Kunci-kunci yang masih terpasang pada bagian mesin listrik yang berputar dapat menyebabkan cedera.
5. **Jangan meraih terlalu jauh. Jagalah pijakan dan keseimbangan sepanjang waktu.** Hal ini memungkinkan kendali yang lebih baik atas mesin listrik dalam situasi yang tidak diharapkan.
6. **Kenakan pakaian yang memadai. Jangan memakai pakaian yang longgar atau perhiasan. Jaga jarak antara rambut dan pakaian Anda dengan komponen mesin yang bergerak.** Pakaian yang longgar, perhiasan, atau rambut yang panjang dapat tersangkut pada komponen yang bergerak.
7. **Jika tersedia fasilitas untuk menghisap dan mengumpulkan debu, pastikan fasilitas tersebut terhubung listrik dan digunakan dengan baik.** Penggunaan pembersih debu dapat mengurangi bahaya yang terkait dengan debu.
8. **Jangan sampai Anda lelah dan mengabaikan prinsip keselamatan mesin ini hanya karena sudah sering mengoperasikannya dan sudah merasa terbiasa.** Tindakan yang lalai dapat menyebabkan cedera berat dalam sepersekian detik saja.

9. **Selalu kenakan kacamata pelindung untuk melindungi mata dari cedera saat menggunakan mesin listrik. Kacamata harus sesuai dengan ANSI Z87.1 di Amerika Serikat, EN 166 di Eropa, atau AS/NZS 1336 di Australia/Selandia Baru. Di Australia/Selandia Baru, secara hukum Anda juga diwajibkan mengenakan pelindung wajah untuk melindungi wajah Anda.**



**Menjadi tanggung jawab atasannya untuk menerapkan penggunaan alat pelindung keselamatan yang tepat bagi operator mesin dan orang lain yang berada di area kerja saat itu.**

#### **Penggunaan dan pemeliharaan mesin listrik**

- 1. Jangan memaksa mesin listrik. Gunakan mesin listrik yang tepat untuk keperluan Anda.** Mesin listrik yang tepat akan menuntaskan pekerjaan dengan lebih baik dan aman pada kecepatan sesuai rancangannya.
- 2. Jangan gunakan mesin listrik jika sakelar tidak dapat menyakalakan dan mematkannya.** Mesin listrik yang tidak dapat dikendalikan dengan sakelarnya adalah berbahaya dan harus diperbaiki.
- 3. Cabut steker dari sumber listrik dan/atau lepas paket baterai, jika dapat dilepas, dari mesin listrik sebelum melakukan penyetelan apa pun, mengganti aksesoris, atau menyimpan mesin listrik.** Langkah keselamatan preventif tersebut mengurangi risiko hidupnya mesin secara tak sengaja.
- 4. Simpan mesin listrik jauh dari jangkauan anak-anak dan jangan biarkan orang yang tidak paham mengenai mesin listrik tersebut atau petunjuk ini menggunakan mesin listrik.** Mesin listrik sangat berbahaya di tangan pengguna yang tak terlatih.
- 5. Rawatlah mesin listrik dan aksesoris. Periksa apakah ada komponen bergerak yang tidak lurus atau macet, komponen yang pecah, dan kondisi-kondisi lain yang dapat memengaruhi pengoperasian mesin listrik. Jika rusak, perbaiki mesin listrik terlebih dahulu sebelum digunakan.** Banyak kecelakaan disebabkan oleh kurangnya pemeliharaan mesin listrik.
- 6. Jaga agar mesin pemotong tetap tajam dan bersih.** Mesin pemotong yang terawat baik dengan mata pemotong yang tajam tidak mudah macet dan lebih mudah dikendalikan.
- 7. Gunakan mesin listrik, aksesoris, dan mata mesin, dll. sesuai dengan petunjuk ini, dengan memperhitungkan kondisi kerja dan jenis pekerjaan yang dilakukan.** Penggunaan mesin listrik untuk penggunaan yang lain dari peruntukan dapat menimbulkan situasi berbahaya.
- 8. Jagalah agar gagang dan permukaan pegangan tetap kering, bersih, dan bebas dari minyak dan pelumas.** Gagang dan permukaan pegangan yang licin tidak mendukung keamanan penanganan dan pengendalian mesin dalam situasi-situasi tak terduga.
- 9. Ketika menggunakan mesin, jangan menggunakan sarung tangan kain yang dapat tersangkut.** Sarung tangan kain yang tersangkut pada komponen bergerak dapat mengakibatkan cedera pada pengguna.

#### **Penggunaan dan pemeliharaan mesin bertenaga baterai**

- 1. Isi ulang baterai hanya dengan pengisi daya yang ditentukan oleh pabrik.** Pengisi daya yang cocok untuk satu jenis paket baterai dapat menimbulkan risiko kebakaran ketika digunakan untuk paket baterai yang lain.
- 2. Gunakan mesin listrik hanya dengan paket baterai yang telah ditentukan secara khusus.** Penggunaan paket baterai lain dapat menimbulkan risiko cedera dan kebakaran.
- 3. Ketika paket baterai tidak digunakan, jauhkan dari benda logam lain, seperti penjepit kertas, uang logam, kunci, paku, sekrup atau benda logam kecil lainnya, yang dapat menghubungkan satu terminal ke terminal lain.** Hubungan singkat terminal baterai dapat menyebabkan luka bakar atau kebakaran.
- 4. Pemakaian yang salah, dapat menyebabkan keluarnya cairan dari baterai; hindari kontak. Jika terjadi kontak secara tidak sengaja, bilas dengan air. Jika cairan mengenai mata, cari bantuan medis.** Cairan yang keluar dari baterai bisa menyebabkan iritasi atau luka bakar.
- 5. Jangan menggunakan paket baterai atau mesin yang sudah rusak atau telah diubah.** Baterai yang rusak atau telah diubah dapat menyebabkan hal-hal yang tidak dapat diprediksi yang dapat menyebabkan kebakaran, ledakan atau risiko cedera.
- 6. Jangan membiarkan paket baterai atau mesin dekat dengan api atau suhu yang berlebihan.** Paparan api atau suhu di atas 130 °C dapat menyebabkan ledakan.
- 7. Ikuti semua petunjuk pengisian daya dan jangan mengisi daya paket baterai atau mesin di luar rentang suhu yang ditentukan di panduan.** Mengisi daya secara tidak tepat atau pada suhu di luar rentang yang ditentukan dapat merusak baterai dan meningkatkan risiko kebakaran.

## Servis

1. **Berikan mesin listrik untuk diperbaiki hanya kepada oleh teknisi yang berkualifikasi dengan menggunakan hanya suku cadang pengganti yang serupa.** Hal ini akan menjamin terjaganya keamanan mesin listrik.
2. **Jangan pernah memperbaiki paket baterai yang sudah rusak.** Perbaikan paket baterai harus dilakukan hanya oleh produsen atau penyedia servis resmi.
3. **Patuhi petunjuk pelumasan dan penggantian aksesoris.**

## Peringatan keselamatan pemotong tanpa kabel

1. **Pelindung yang disertakan dengan mesin harus terpasang dengan kencang pada mesin listrik dan diposisikan untuk keselamatan maksimal, sehingga bagian roda yang menghadap ke operator menjadi minimal. Posisikan diri Anda dan orang lain jauh dari bidang roda yang berputar.** Pelindung membantu melindungi operator dari pecahan roda yang rusak dan kontak tanpa sengaja dengan roda.
2. **Gunakan hanya roda pemotong kuat atau intan dengan pengikat untuk mesin listrik Anda.** Hanya karena aksesoris tersebut bisa dipasang pada mesin listrik Anda, bukan berarti menjamin keselamatan dalam pengoperasian.
3. **Kecepatan terukur pada aksesoris setidaknya harus sama dengan kecepatan maksimum yang tertera pada mesin listrik.** Aksesoris yang bekerja lebih cepat dari kecepatan terukurnya bisa saja pecah dan terlempar.
4. **Roda harus digunakan hanya untuk penggunaan yang disarankan. Misalnya: jangan menggerinda dengan bagian samping roda pemotong.** Roda pemotong abrasif ditujukan untuk pekerjaan gerinda sisi luar, gaya dari samping pada roda dapat menyebabkan roda pecah.
5. **Selalu gunakan flensa roda yang tidak rusak dengan diameter yang tepat sesuai dengan roda yang Anda pilih.** Flensa roda yang tepat akan menopang roda sehingga mengurangi kemungkinan pecahnya roda.
6. **Jangan gunakan roda kuat dengan kinerja yang sudah rendah dari mesin listrik yang lebih besar.** Roda yang dirancang untuk mesin listrik yang lebih besar tidak cocok untuk digunakan pada alat yang lebih kecil dengan kecepatan yang lebih tinggi dan mungkin saja akan rusak.
7. **Diameter luar dan tebal aksesoris Anda harus berada dalam nilai kapasitas mesin listrik Anda.** Aksesoris dengan ukuran yang tidak tepat tidak bisa terlindung atau terkendali secara memadai.
8. **Ukuran arbor roda dan flensa harus benar-benar sesuai dengan spindel mesin listrik.** Roda dan flensa dengan lubang arbor yang tidak sesuai dengan perangkat keras pemasangan mesin listrik akan bekerja tidak seimbang, getar secara berlebihan dan dapat menyebabkan hilangnya kendali.
9. **Jangan menggunakan roda yang rusak. Sebelum digunakan, selalu periksa roda akan adanya serpihan dan keretakan. Bila mesin listrik atau roda jatuh, periksa akan adanya kerusakan atau pasang roda yang tidak rusak. Setelah memeriksa dan memasang roda, posisikan diri Anda dan orang di sekitar jauh dari bidang roda yang berputar dan jalankan mesin listrik pada kecepatan maksimum tanpa beban selama satu menit.** Roda yang rusak secara normal akan pecah selama waktu pengujian ini.
10. **Kenakan alat pelindung diri. Tergantung pekerjaannya, gunakan pelindung muka, kaca mata pelindung atau kaca mata pengaman. Sesuai dengan pekerjaannya, kenakan masker debu, pelindung telinga, sarung tangan, dan apron bengkel yang mampu menahan debu gerinda atau serpihan benda kerja.** Pelindung mata harus mampu menahan debu yang beterbangan, yang ditimbulkan dari berbagai jenis pekerjaan. Masker debu atau alat pemapasan harus mampu menyangkal partikel yang dihasilkan dari pekerjaan Anda. Terpaan yang berkepanjangan terhadap kebisingan berintensitas tinggi bisa menyebabkan hilangnya pendengaran.
11. **Jaga agar orang di sekitar berada dalam jarak aman yang jauh dari area kerja. Siapa pun yang masuk ke area kerja harus mengenakan alat pelindung diri.** Potongan benda kerja atau roda yang rusak bisa saja terlempar dan menyebabkan cedera di area yang dekat dengan pekerjaan.
12. **Pegang mesin listrik hanya pada permukaan genggam yang terisolasi saat melakukan pekerjaan karena aksesoris pemotong mungkin saja bersentuhan dengan kabel tersembunyi.** Aksesoris pemotong yang menyentuh kawat "hidup" dapat menyebabkan bagian logam pada mesin teraliri arus listrik dan menyengat pengguna.
13. **Jangan sekali-kali meletakkan mesin listrik sampai aksesorinya benar-benar berhenti.** Roda yang berputar bisa menyambar permukaan dan menarik mesin listrik di luar kendali Anda.
14. **Jangan menyalakan mesin listrik sambil membawanya di sisi badan Anda.** Sentuhan yang tidak disengaja oleh aksesoris yang berputar bisa merobek pakaian Anda, yang akan menarik aksesoris ke arah badan Anda.
15. **Bersihkan ventilasi udara mesin listrik secara rutin.** Kipas motor akan menarik debu ke dalam rumah dan serbuk logam yang terkumpul secara berlebihan bisa menyebabkan bahaya listrik.
16. **Jangan mengoperasikan mesin listrik di dekat bahan yang mudah terbakar.** Bunga api bisa membuat bahan tersebut menyala.



### Hentikan balik dan peringatan terkait

Hentikan balik adalah reaksi yang terjadi secara tiba-tiba bila roda yang berputar terjepit, atau tersangkut. Kondisi terjepit atau tersangkut akan menyebabkan roda yang berputar akan berhenti dengan cepat yang kemudian berubah mengakibatkan terdorongnya mesin listrik yang tak terkendali ke arah yang berlawanan dengan putaran roda di titik tempat roda tersebut terjepit.

Sebagai contoh, jika roda ampelas tersangkut atau terjepit oleh benda kerja, tepi roda yang masuk ke titik tempat roda tersebut terjepit bisa menggali permukaan bahan, yang menyebabkan roda tersebut menanjak atau menghentak. Roda bisa saja melompat ke arah atau menjauhi operator, tergantung arah gerakan roda di titik tempat roda tersebut terjepit. Roda ampelas juga bisa saja pecah karena kondisi tersebut.

Hentikan balik merupakan akibat dari salah cara menggunakan mesin listrik dan/atau prosedur atau kondisi pengoperasian yang salah dan dapat dihindari dengan melakukan tindakan kewaspadaan yang tepat sebagaimana diuraikan di bawah ini.

1. **Pertahankan genggaman yang kuat pada mesin listrik serta posisi badan dan lengan Anda agar memungkinkan Anda untuk menahan gaya hentikan balik. Selalu gunakan pegangan tambahan, bila tersedia, untuk mengendalikan hentikan balik atau reaksi torsi secara maksimum selama mesin mulai dihidupkan.** Operator dapat mengendalikan reaksi torsi atau gaya hentikan balik, bila dilakukan tindakan kewaspadaan yang tepat.
2. **Jangan sekali-kali memosisikan tangan Anda di dekat aksesoris yang berputar.** Aksesoris mungkin saja mengentak balik ke arah tangan Anda.
3. **Jangan menempatkan tubuh Anda sejajar dengan roda yang berputar.** Hentikan balik akan memutar mesin dalam arah yang berlawanan dengan gerakan roda di titik tempat roda tersebut tersangkut.
4. **Sangatlah berhati-hati saat bekerja di area sudut, tepi yang tajam, dsb. Hindari jangan sampai aksesoris memantul atau tersangkut.** Area sudut, tepi yang tajam, atau pantulan cenderung membuat aksesoris yang berputar akan tersangkut dan menyebabkan kehilangan kendali atau timbulnya hentikan balik.
5. **Jangan pasang mata rantai gergaji, roda intan bersegmen dengan jarak periferifal lebih dari 10 mm atau mata gergaji bergerak.** Mata mesin seperti itu menghasilkan hentikan balik secara berkali-kali dan menyebabkan kehilangan kendali.
6. **Jangan membuat roda “macet” atau menekannya secara berlebihan. Jangan mencoba memotong terlalu dalam.** Menempatkan tekanan berlebihan pada roda akan meningkatkan beban dan dapat menyebabkan roda berputar atau terjepit pada potongan dan terdapat kemungkinan terjadi hentikan balik atau kerusakan roda.

7. **Ketika roda terjepit atau pemotongan terhenti karena alasan apa pun, matikan mesin listrik dan tahan hingga roda benar-benar berhenti. Jangan pernah mencoba melepas roda dari pekerjaan pemotongan saat roda bergerak, jika tidak, akan terjadi hentikan balik.** Periksa dan ambil tindakan yang tepat untuk menyingkirkan penyebab terikatnya roda.
8. **Jangan ulangi pemotongan pada benda kerja. Biarkan roda mencapai kecepatan penuh dan masukkan kembali dengan hati-hati pada potongan.** Roda mungkin dapat terjepit, bergerak ke atas atau terjadi hentikan balik jika mesin listrik dinyalakan ulang pada benda kerja.
9. **Tahan panel atau benda kerja berukuran besar untuk meminimalkan risiko roda terjepit dan terjadi hentikan balik.** Benda kerja besar cenderung melengkung karena beratnya. Penunjang harus diletakkan di bawah benda kerja dekat garis pemotongan dan dekat ujung benda kerja pada kedua sisi roda.
10. **Berhati-hatilah saat melakukan “pemotongan saku” pada dinding atau area buta lain.** Roda yang mencuat dapat memotong pipa gas atau air, kabel listrik, atau objek lain yang dapat menyebabkan hentikan balik.

### Peringatan Keselamatan Tambahan:

1. **Sebelum menggunakan roda intan bersegmen, pastikan roda intan memiliki jarak periferifal antar segmen sebesar 10 mm atau kurang, hanya dengan sudut negatif.**
2. **Jangan pernah mencoba memotong dengan mesin yang dipasang terbalik pada ragum. Hal ini dapat menyebabkan kecelakaan parah karena sangat berbahaya.**
3. **Bahan tertentu mengandung zat kimia yang mungkin beracun. Hindari menghirup debu dan persentuhan dengan kulit. Ikuti data keselamatan bahan dari pemasok.**
4. **Simpan roda sesuai saran produsen. Penyimpanan yang tidak benar dapat merusak roda.**
5. **Selalu gunakan roda yang cocok untuk pekerjaan Anda dan material yang akan dipotong.**
6. **Periksa material yang akan dipotong sebelum melakukan pemotongan.** Jika material tersebut mengandung bahan yang mudah meledak atau terbakar, pemotongan dapat menyebabkan ledakan atau kebakaran.
7. **Jangan hidupkan mesin jika terdapat benda asing terjepit di antara pelindung dan roda.** Apabila ini terjadi, copot kartrid baterai dan lepaskan benda asing tersebut.
8. **Gunakan penjepit atau sejenisnya untuk menopang benda kerja jika memungkinkan.**
9. **Selalu kenakan pelindung telinga selama pengoperasian.**
10. **Jangan memotong material kayu dengan mesin ini.**
11. **Diameter luar dan ketebalan roda harus berada dalam nilai kapasitas mesin listrik Anda.** Ukuran roda yang salah tidak dapat dilindungi atau dikendalikan secara memadai.

12. Saat mengoperasikan mesin listrik, pertahankan genggaman yang kuat pada mesin listrik menggunakan kedua tangan serta posisikan badan dan lengan Anda sehingga Anda dapat menahan gaya hentakan balik.
  13. Jauhkan tangan atau muka Anda dari roda yang berputar.
  14. Sesuaikan penutup roda ke posisi yang sesuai dengan pekerjaan Anda.
  15. Ketika Anda menggunakan mesin di permukaan berlumpur, lereng basah, atau tempat yang licin, perhatikan pijakan Anda dengan saksama.
  16. Jangan biarkan mesin terendam genangan air.
  17. Jangan meninggalkan mesin tanpa pengawasan di luar saat hujan.
  18. Jangan ganti baterai dalam kondisi hujan.
  19. Ketika menyimpan mesin, hindari terkena cahaya matahari dan hujan langsung, dan simpan di tempat yang jauh dari panas atau lembap.
- (3) Jangan membiarkan baterai terkena air atau kehujanan. Hubungan singkat baterai dapat menyebabkan aliran arus listrik yang besar, panas berlebih, kemungkinan mengalami luka bakar dan bahkan kerusakan pada baterai.
  6. Jangan menyimpan dan menggunakan mesin dan kartrid baterai pada lokasi dengan suhu yang bisa mencapai atau melebihi 50 °C (122 °F).
  7. Jangan membuang kartrid baterai di tempat pembakaran sampah walaupun benar-benar rusak atau tidak bisa digunakan sama sekali. Kartrid baterai bisa meledak jika terbakar.
  8. Jangan memaku, memotong, menghancurkan, melempar, menjatuhkan kartrid baterai, atau memukulkan benda keras ke kartrid baterai. Tindakan tersebut dapat menimbulkan api, panas berlebih, atau ledakan.
  9. Jangan menggunakan baterai yang rusak.
  10. Baterai litium-ion yang disertakan sesuai dengan persyaratan Perundangan Makanan Berbahaya.

## SIMPAN PETUNJUK INI.

**⚠️PERINGATAN:** JANGAN biarkan kenyamanan atau terbiasanya Anda dengan produk (karena penggunaan berulang) mengurangi kepatuhan yang ketat terhadap aturan keselamatan untuk produk yang terkait. **PENYALAHGUNAAN** atau kelalaian mematuhi kaidah keselamatan yang tertera dalam petunjuk ini dapat menyebabkan cedera badan serius.

## Petunjuk keselamatan penting untuk kartrid baterai

1. Sebelum menggunakan kartrid baterai, bacalah semua petunjuk dan penandaan pada (1) pengisi daya baterai, (2) baterai, dan (3) produk yang menggunakan baterai.
2. Jangan membongkar atau memodifikasi kartrid baterai. Tindakan tersebut dapat menimbulkan api, panas berlebih, atau ledakan.
3. Jika waktu beroperasinya menjadi sangat singkat, segera hentikan penggunaan. Hal tersebut dapat menimbulkan risiko panas berlebih, kemungkinan mengalami luka bakar atau bahkan terjadi ledakan.
4. Jika elektrolit mengenai mata Anda, basuh dengan air bersih dan segera cari pertolongan medis. Hal tersebut dapat mengakibatkan hilangnya kemampuan penglihatan Anda.
5. Jangan menghubungkan terminal kartrid baterai:
  - (1) Jangan menyentuh terminal dengan bahan penghantar listrik apa pun.
  - (2) Hindari menyimpan kartrid baterai pada wadah yang berisi benda logam lain seperti paku, uang logam, dsb.
11. Ketika membuang kartrid baterai, lepaskan dari mesin dan buang ke tempat yang aman. Patuhi peraturan setempat yang berkaitan dengan pembuangan baterai.
12. Gunakan baterai hanya dengan produk yang ditentukan oleh Makita. Memasang baterai pada produk yang tidak sesuai dapat menyebabkan kebakaran, kelebihan panas, ledakan, atau kebocoran elektrolit.
13. Jika mesin tidak digunakan dalam jangka waktu yang lama, baterai harus dilepas dari mesin.
14. Selama dan setelah digunakan, kartrid baterai mungkin menyimpan panas yang dapat menyebabkan luka bakar atau luka bakar suhu rendah. Perhatikan cara memegang kartrid baterai yang masih panas.
15. Jangan langsung menyentuh terminal mesin setelah digunakan karena suhunya mungkin cukup panas untuk menyebabkan luka bakar.
16. Jangan biarkan serpihan, debu, atau tanah menempel di terminal, lubang, dan alur kartrid baterai. Hal tersebut dapat menyebabkan pemanasan, kebakaran, ledakan, dan kegagalan fungsi mesin atau kartrid baterai, yang mengakibatkan luka bakar atau cedera diri.

17. Kecuali jika mesin mendukung penggunaan di dekat saluran listrik bertegangan tinggi, jangan gunakan kartrid baterai di dekat saluran listrik bertegangan tinggi. Hal tersebut dapat mengakibatkan kegagalan fungsi atau kerusakan mesin maupun kartrid baterai.
18. Jauhkan baterai dari jangkauan anak-anak.

## SIMPAN PETUNJUK INI.

**⚠️PERHATIAN:** Gunakan baterai asli Makita. Penggunaan baterai Makita yang tidak asli, atau baterai yang sudah diubah, akan mengakibatkan baterai mudah terbakar, cedera dan kerusakan. Akan menghilangkan garansi Makita pada pengisi daya dan alat Makita.

## Tip untuk menjaga agar umur pemakaian baterai maksimum

1. Isi ulang kartrid baterai sebelum habis sama sekali. Selalu hentikan penggunaan mesin dan ganti kartrid baterai jika Anda melihat bahwa mesin kurang tenaga.
2. Jangan pernah mengisi ulang kartrid baterai yang sudah diisi penuh. Pengisian ulang yang berlebih memperpendek umur pemakaian baterai.
3. Isi ulang kartrid baterai pada suhu ruangan 10 °C - 40 °C. Biarkan kartrid baterai yang panas menjadi dingin terlebih dahulu sebelum diisi ulang.
4. Saat kartrid baterai tidak digunakan, lepaskan dari mesin atau pengisi daya.
5. Isi ulang daya kartrid baterai jika Anda tidak menggunakannya untuk jangka waktu yang lama (lebih dari enam bulan).

## DESKRIPSI BAGIAN-BAGIAN MESIN

### ► Gbr.1

1	Roda pemotongan abrasif / roda intan	2	Pelindung roda	3	Gagang penutup roda	4	Gagang depan
5	Lampu	6	Kartrid baterai	7	Tombol pengunci	8	Roda caster
9	Tombol kunci poros	10	Penutup (untuk sabuk V)	11	Keran	12	Inlet air
13	Pegangan	14	Pelatuk sakelar	15	Tombol lampu	16	Indikator kelebihan beban
17	Selongsong kopleng	18	Kunci busi	-	-	-	-

## DESKRIPSI FUNGSI

**⚠️PERHATIAN:** Selalu pastikan bahwa mesin dimatikan dan kartrid baterai dilepas sebelum menyatel atau memeriksa kerja mesin.

### Memasang atau melepas baterai

**⚠️PERHATIAN:** Selalu matikan mesin sebelum memasang atau melepas kartrid baterai.

**⚠️PERHATIAN:** Pegang mesin dan kartrid baterai kuat-kuat saat memasang atau melepas kartrid baterai. Kelalaian untuk memegang mesin dan kartrid baterai kuat-kuat bisa menyebabkan keduanya tergelincir dari tangan Anda dan mengakibatkan kerusakan pada mesin dan kartrid baterai dan cedera diri.

Untuk memasang kartrid baterai, sejajarkan lidah kartrid baterai dengan alur pada rumah dan masukkan ke dalam tempatnya. Masukkan seluruhnya sampai terkunci pada tempatnya dan terdengar bunyi klik kecil. Jika Anda bisa melihat indikator berwarna merah pada sisi atas tombol, berarti tidak terkunci sepenuhnya.

- **Gbr.2:** 1. Indikator berwarna merah 2. Tombol 3. Kartrid baterai

Untuk melepas kartrid baterai, angkat kartrid baterai sambil menekan tombol di bagian depan kartrid.

**⚠️PERHATIAN:** Selalu pasang kartrid baterai sepenuhnya sampai indikator berwarna merah tidak terlihat. Jika tidak, bisa terlepas dari mesin secara tidak sengaja, menyebabkan luka pada Anda atau orang di sekitar Anda.

**⚠️PERHATIAN:** Jangan memasang kartrid baterai secara paksa. Jika kartrid tidak bergeser dengan mudah, berarti tidak dimasukkan dengan benar.

**CATATAN:** Mesin tidak akan bekerja dengan hanya satu kartrid baterai.

## Mengindikasikan kapasitas baterai yang tersisa

Tekan tombol pemeriksaan pada kartrid baterai untuk melihat kapasitas baterai yang tersisa. Lampu indikator menyala selama beberapa detik.

- **Gbr.3:** 1. Lampu indikator 2. Tombol pemeriksaan

Lampu indikator			Kapasitas yang tersisa
Menyala	Mati	Berkedip	
			75% hingga 100%
			50% hingga 75%
			25% hingga 50%
			0% hingga 25%
			Isi ulang baterai.
			Baterai mungkin sudah rusak.

**CATATAN:** Tergantung kondisi penggunaan dan suhu lingkungannya, penunjukkan mungkin saja sedikit berbeda dari kapasitas sebenarnya.

**CATATAN:** Lampu indikator pertama (ujung kiri) akan berkedip ketika sistem perlindungan mesin bekerja.

## Sistem perlindungan mesin / baterai

Mesin ini dilengkapi dengan sistem perlindungan mesin/ baterai. Sistem ini memutuskan daya ke motor secara otomatis untuk memperpanjang umur pemakaian mesin dan baterai. Mesin akan berhenti secara otomatis saat penggunaan jika mesin atau baterai berada dalam salah satu kondisi berikut ini. Dalam kondisi yang sama, indikator akan menyala.

### Perlindungan kelebihan beban

Jika mesin/baterai digunakan dengan cara yang menjadikan baterai mengeluarkan arus tinggi yang berlebihan, mesin akan berhenti secara otomatis. Dalam situasi ini, matikan mesin dan hentikan pekerjaan yang menyebabkan mesin mengalami kelebihan beban. Kemudian, nyalakan mesin untuk kembali melanjutkan pekerjaan.

### Perlindungan panas berlebih

Apabila mesin/baterai terlalu panas, mesin akan berhenti secara otomatis, dan lampu akan berkedip. Untuk situasi ini, biarkan mesin menjadi dingin sebelum menyalakan mesin lagi.

### Perlindungan pengisian daya berlebih

Ketika kapasitas baterai melemah, mesin akan berhenti secara otomatis, dan lampu indikator dari kartrid baterai akan berkedip. Jika mesin tidak beroperasi bahkan ketika sakelar digunakan, lepaskan baterai dari mesin dan isi daya baterai.

## Perlindungan terhadap penyebab lain

Sistem perlindungan juga dirancang untuk penyebab lain yang dapat merusak mesin dan memungkinkan mesin untuk berhenti secara otomatis. Lakukan semua langkah berikut ini untuk mengatasi penyebabnya, saat mesin dihentikan sementara atau berhenti beroperasi.

1. Matikan mesin, dan kemudian hidupkan kembali untuk memulai ulang.
2. Isi baterai atau ganti dengan baterai yang sudah diisi ulang.
3. Biarkan mesin dan baterai menjadi dingin.

Jika tidak ada peningkatan yang dapat ditemukan dengan memulihkan sistem perlindungan, hubungi Pusat Servis Makita setempat Anda.

**PEMBERITAHUAN:** Jika mesin berhenti karena penyebab yang tidak dijelaskan di atas, lihat bagian pemecahan masalah.

## Peringatan kelebihan beban

Jika mesin mengalami kelebihan beban, indikator kelebihan beban akan berkedip merah. Dalam situasi ini, kurangi beban pada mesin. Lalu, indikator berhenti berkedip.

► **Gbr.4:** 1. Indikator kelebihan beban

## Kerja sakelar

**PERINGATAN:** Sebelum memasukkan kartrid baterai pada mesin, pastikan picu saklar berfungsi dengan baik dan kembali ke posisi "OFF" saat dilepas.

**PERINGATAN:** JANGAN PERNAH mengakali tombol buka kunci dengan menyelotip atau menggunakan alat-alat lainnya. Sakelar tanpa tombol buka kunci dapat mengakibatkan pengoperasian yang tidak diinginkan dan cedera badan serius.

**PERINGATAN:** JANGAN PERNAH menggunakan mesin jika mesin tersebut menyala ketika Anda hanya menarik pelatuk sakelarnya tanpa menekan tuas buka kunci. Sakelar yang memerlukan perbaikan dapat mengakibatkan pengoperasian yang tidak diinginkan dan cedera badan serius. Kembalikan mesin ke pusat layanan Makita untuk diperbaiki dengan benar SEBELUM menggunakannya lebih lanjut.

Untuk mencegah pelatuk sakelar tertarik dengan tidak sengaja, tersedia tombol buka kunci. Untuk menjalankan mesin, tekan tombol buka kunci dan tarik pelatuk sakelar. Lepaskan pelatuk sakelar untuk berhenti.

► **Gbr.5:** 1. Pelatuk sakelar 2. Tombol pengunci

**PEMBERITAHUAN:** Jangan menarik dalam-dalam pelatuk sakelar tanpa menekan tombol pengunci. Hal ini bisa merusak sakelar.

## Menyalakan lampu

**PERHATIAN:** Jangan melihat lampu atau sumber cahaya secara langsung.

Untuk menyalakan lampu, tekan tombol lampu. Untuk mematikan, tekan tombol lampu lagi.

► **Gbr.6:** 1. Tombol lampu 2. Lampu

**CATATAN:** Lampu akan mati secara otomatis jika tidak ada pengoperasian mesin selama satu menit.

## Menyetel penutup roda

Pegang gagang penutup roda dan sesuaikan posisi penutup roda yang sesuai dengan pekerjaan Anda.

► **Gbr.7:** 1. Gagang penutup roda

## Teknologi penginderaan umpan balik aktif

Mesin secara elektronik mendeteksi situasi di mana roda mungkin berisiko macet. Dalam situasi ini, mesin dimatikan secara otomatis untuk menghindari perputaran spindel lebih jauh (ini tidak mencegah hentakan).

Untuk menyalakan ulang mesin, matikan mesin terlebih dahulu, hilangkan penyebab jatuh tiba-tiba dalam kecepatan putaran, kemudian nyalakan mesin.

## Rem elektrik

Rem elektrik diaktifkan setelah mesin dimatikan. Rem tidak berfungsi ketika suplai daya dimatikan, seperti saat baterai dilepaskan secara tiba-tiba, dengan saklar yang masih menyala.

## PERAKITAN

**PERHATIAN:** Selalu pastikan bahwa mesin dimatikan dan kartrid baterai dilepas sebelum melakukan pekerjaan apa pun pada mesin.

## Memasang atau melepas roda pemotongan abrasif / roda intan

**PERHATIAN:** Gunakan hanya kunci pas Makita untuk memasang atau melepas roda.

**PERHATIAN:** Saat memasang roda, pastikan untuk mengencangkan baut dengan kuat.

**PERHATIAN:** Jangan menekan tombol kunci poros saat roda berputar.

Untuk melepaskan roda, tekan tombol kunci poros, lalu putar roda sampai tidak bisa berputar lagi. Saat kunci poros sepenuhnya terkunci, putar baut kepala segi enam berlawanan arah jarum jam menggunakan kunci busi. Kemudian lepaskan baut kepala segi enam, flensa, roda, cincin, dan flensa secara berurutan.

► **Gbr.8:** 1. Tombol kunci poros 2. Kunci busi 3. Kencangkan 4. Kendurkan

► **Gbr.9:** 1. Baut kepala segi enam 2. Flensa 3. Cincin 4. Roda pemotongan abrasif / roda intan 5. Tanda panah (arah putaran roda)

Untuk memasang roda, ikuti urutan prosedur pelepasan secara terbalik.

**PASTIKAN UNTUK MENGENCANGKAN BAUT KEPALA SEGI ENAM DENGAN KUAT.**

**PERHATIAN:** Selalu pasang roda sedemikian rupa sehingga tanda panah pada ujung roda searah dengan tanda panah pada pelindung roda. Jika tidak, roda akan berputar terbalik, dan dapat menyebabkan cedera.

**PERHATIAN:** Hanya gunakan roda dengan kecepatan yang sama atau lebih tinggi dari kecepatan yang tertera pada mesin.

**CATATAN:** Saat memasang roda, pastikan Anda memasang flensa sehingga sisi datar flensa menghadap ke roda, dan pasang cincin yang sesuai dengan diameter dalam roda.

► **Gbr.10:** 1. Baut kepala segi enam 2. Flensa 3. Cincin 4. Roda pemotongan abrasif / roda intan

## Menghubungkan ke suplai air

1. Siapkan selang air.
2. Lepaskan mur pada selongsong kopling dan lewatkan selang air melalui mur. Masukkan ujung selang ke selongsong kopling, kemudian kencangkan mur.
- **Gbr.11:** 1. Selang air 2. Mur selongsong kopling 3. Selongsong kopling
3. Hubungkan selang air ke suplai air.

Saat menghubungkan ke keran air, gunakan fitting yang cocok seperti karet selang atau sambungan keran air leding.

► **Gbr.12:** 1. Karet selang 2. Sambungan keran air leding 3. Selang air

**CATATAN:** Fitting tergantung pada bentuk keran yang Anda sambungkan. Persiapkan dudukan yang sudah dibeli dengan sesuai.

**CATATAN:** Jika Anda menggunakan sambungan keran air leding, siapkan selongsong kopling lainnya, lalu pasang ke ujung selang yang lain.

**CATATAN:** Saat menggunakan pompa air, ikuti instruksi pompa air Anda untuk menyambungkan selang air.

4. Tekan selongsong kopling ke inlet air sampai terkunci dan terdengar bunyi klik.
- **Gbr.13:** 1. Selongsong kopling 2. Inlet air 3. Keran

**PEMBERITAHUAN:** Tutup keran sampai Anda memulai operasi pemotongan dengan mengalirkan air. Untuk cara mengalirkan air, lihat bagian untuk pengoperasian.

## PENGUNAAN

**⚠️PERHATIAN:** Pastikan untuk memegang benda kerja dengan kuat di atas meja kerja atau meja yang stabil selama pengoperasian.

**⚠️PERHATIAN:** Jangan memutar atau memaksa mesin pada potongan, atau mesin akan kelebihan beban atau benda kerja akan rusak.

### Pemotongan

**⚠️PERHATIAN:** Selama pengoperasian, jangan mengangkat mesin lebih tinggi dari tinggi bahu Anda.

#### ► Gbr.14

Pegang mesin kuat-kuat. Genggam pegangan dengan tangan kanan Anda dan gagang depan dengan tangan kiri Anda. Untuk mencegah sengatan listrik akibat memotong kabel listrik secara tidak sengaja, selalu pegang gagang depan dengan bagian yang ditentukan seperti ditunjukkan pada gambar.

► **Gbr.15:** 1. Bagian yang dipegang

Gerakkan mesin arah di atas permukaan benda kerja, jaga agar mesin tetap datar dan gerakkan dengan lembut sampai pemotongan selesai. Jaga agar garis pemotongan tetap lurus dan kecepatan gerakan tetap sama.

#### ► Gbr.16

**CATATAN:** Saat suhu kartrid baterai rendah, mesin mungkin tidak bekerja pada kapasitas maksimal. Pada kondisi ini, contohnya, gunakan mesin untuk potongan yang ringan untuk sementara hingga kartrid baterai mencapai panas seperti suhu ruangan. Maka mesin dapat bekerja hingga kapasitas maksimalnya.

**CATATAN:** Jika gerak pemotongan roda intan mulai berkurang, balut ujung roda pemotongan menggunakan roda gerinda ampelas kasar yang sudah terpakai atau blok beton. Balut dengan menekan perlahan tepian luar roda intan.

### Ketika mengumpalkan air selama pemotongan

**⚠️PERHATIAN:** Ketika menggunakan roda intan tipe basah, selalu alirkan air selama pemotongan.

Hubungkan mesin ke suplai air, lalu putar keran sesuai arah panah seperti yang diilustrasikan. Sesuaikan posisi keran untuk mendapatkan aliran air yang lembut.

► **Gbr.17:** 1. Keran

**⚠️PERHATIAN:** Saat mengalirkan air, selalu pertahankan agar kepala mesin lebih rendah dari bodi mesin untuk mencegah air masuk ke dalam mekanisme mesin. Kelalaian dalam melakukannya dapat menyebabkan sengatan listrik.

#### ► Gbr.18

## PERAWATAN

**⚠️PERHATIAN:** Selalu pastikan bahwa mesin dimatikan dan kartrid baterai dilepas sebelum melakukan pemeriksaan atau perawatan.

**PEMBERITAHUAN:** Jangan sekali-kali menggunakan bensin, tiner, alkohol, atau bahan sejenisnya. Penggunaan bahan demikian dapat menyebabkan perubahan warna, perubahan bentuk atau timbulnya retakan.

Untuk menjaga KEAMANAN dan KEANDALAN mesin, perbaikan, perawatan atau penyetulan lainnya harus dilakukan oleh Pusat Layanan Resmi atau Pabrik Makita; selalu gunakan suku cadang pengganti buatan Makita.

### Membersihkan mesin

Setelah setiap kali digunakan, keluarkan kartrid baterai dan roda, lalu bersihkan debu, kotoran, atau serpihan logam yang terkumpul di dalam pelindung roda. Bersihkan mesin bodi mesin dari debu dan kotoran menggunakan kain kering atau dicelupkan di air sabun dan diperas. Gunakan kain kering untuk mengelap kotoran dari lensa lampu. Berhati-hatilah agar tidak menggosok lensa lampu, karena dapat menurunkan tingkat penerangannya.

► **Gbr.19:** 1. Pelindung roda 2. Lensa lampu

### Membersihkan ventilasi udara

Bersihkan ventilasi udara mesin secara teratur atau saat ventilasi mulai terganggu.

► **Gbr.20:** 1. Ventilasi udara

### Mengganti sabuk sinkronisasi

1. Lepaskan kartrid baterai dan roda.
2. Kendurkan baut soket segi enam menggunakan bagian ujung kunci busi, kemudian lepaskan penutupnya.  
► **Gbr.21:** 1. Kunci busi 2. Baut soket segi enam 3. Penutup
3. Tekan tombol kunci poros dan tahan untuk mengunci puli besar, lalu putar mur berlawanan arah jarum jam menggunakan bagian ujung tipis kunci busi.  
► **Gbr.22:** 1. Puli besar 2. Tombol kunci poros
4. Tekan tombol kunci poros dan tahan untuk mengunci puli besar, lalu putar cakram kecil berlawanan arah jarum jam menggunakan bagian ujung tebal kunci busi untuk mengendurkan sabuk sinkronisasi.  
► **Gbr.23:** 1. Tombol kunci poros 2. Puli besar 3. Cakram kecil
5. Lepaskan sabuk.
6. Dengan alur yang ada di sabuk di dalam, pasang salah satu ujung sabuk ke puli kecil, lalu pasang ujung sabuk yang lain ke puli besar.  
► **Gbr.24:** 1. Sabuk 2. Puli besar 3. Puli kecil

7. Tekan tombol kunci poros dan tahan untuk mengunci puli besar, lalu putar cakram kecil searah jarum jam menggunakan bagian ujung tebal kunci busi untuk mengencangkan sabuk.

► **Gbr.25:** 1. Tombol kunci poros 2. Puli besar

**CATATAN:** Pastikan bahwa cakram kecil berada pada posisi seperti yang ditunjukkan dalam gambar.

► **Gbr.26:** 1. Cakram kecil

8. Tekan tombol kunci poros dan tahan untuk mengunci puli besar, lalu putar mur searah jarum jam menggunakan bagian ujung tipis kunci busi.

► **Gbr.27:** 1. Tombol kunci poros

**CATATAN:** Saat mengencangkan mur, gunakan torsi pengencangan sebesar 19 - 21 N•m.

9. Pasang penutup, lalu kencangkan baut soket segi enam menggunakan bagian ujung tipis kunci busi.

► **Gbr.28:** 1. Kunci busi 2. Baut soket segi enam  
3. Penutup

## PEMECAHAN MASALAH

Sebelum meminta perbaikan, lakukan pemeriksaan mandiri terlebih dahulu. Jika Anda menemukan masalah yang tidak dijelaskan dalam buku petunjuk ini, jangan coba membongkar mesin. Sebaliknya, hubungi Pusat Servis Resmi Makita, dan selalu gunakan suku cadang pengganti Makita untuk perbaikan.

Keadaan Tidak Normal	Kemungkinan penyebab (kerusakan fungsi)	Perbaikan
Motor tidak berjalan.	Kartrid baterai tidak terpasang.	Pasang dua kartrid baterai. Mesin tidak akan bekerja hanya dengan satu kartrid baterai.
	Masalah baterai (kekurangan tegangan)	Isi ulang daya baterai. Jika pengisian ulang daya tidak berhasil, gantilah kartrid baterai.
	Sistem penggerak tidak bekerja secara benar.	Mintalah pusat servis resmi setempat untuk melakukan perbaikan.
Motor berhenti setelah digunakan sebentar.	Daya baterai rendah.	Isi ulang daya baterai. Jika pengisian ulang daya tidak berhasil, gantilah kartrid baterai.
	Panas berlebih.	Hentikan penggunaan mesin untuk memungkinkannya mendingin.
Rotasi roda tidak berakselerasi dengan baik meskipun setelah menjalankan mesin tanpa beban selama 20 detik.	Baterai dipasang secara tidak tepat.	Pasang kartrid baterai seperti yang dijelaskan dalam buku petunjuk ini.
	Daya baterai menurun.	Isi ulang daya kartrid baterai. Jika pengisian ulang daya tidak berhasil, gantilah kartrid baterai.
	Sabuk sinkronisasi tergelincir.	Ganti sabuk sinkronisasi dengan yang baru.
	Sistem penggerak tidak bekerja secara benar.	Mintalah pusat servis resmi setempat untuk melakukan perbaikan.
Roda tidak berputar: ⇒ segera hentikan mesin!	Sabuk sinkronisasi tergelincir.	Ganti sabuk sinkronisasi dengan yang baru.
	Benda asing terjepit di antara pelindung dan roda.	Lepas kartrid baterai, lalu lepaskan benda asing tersebut.
	Sistem penggerak tidak bekerja secara benar.	Mintalah pusat servis resmi setempat untuk melakukan perbaikan.
Getaran tidak normal: ⇒ segera hentikan mesin!	Pemasangan roda yang tidak benar.	Pasang roda sebagaimana diinstruksikan dalam buku petunjuk ini. Kencangkan baut untuk mengencangkan roda.
	Sistem penggerak tidak bekerja secara benar.	Mintalah pusat servis resmi setempat untuk melakukan perbaikan.
Mesin pemotongan tidak dapat berhenti: ⇒ Segera lepaskan kartrid baterai!	Gangguan listrik atau elektronik.	Lepaskan kartrid baterai dan mintalah pusat servis resmi setempat untuk melakukan perbaikan.
Kinerja pemotongan yang buruk	Saatnya mengganti roda.	Ganti roda dengan yang baru.
Kebocoran air dari inlet.	Air bocor dari bagian Cincin-O.	Mintalah pusat servis resmi setempat untuk melakukan perbaikan.

## AKSESORI PILIHAN

**⚠️ PERHATIAN:** Dianjurkan untuk menggunakan aksesori atau perangkat tambahan ini dengan mesin Makita Anda yang ditentukan dalam petunjuk ini. Penggunaan aksesori atau perangkat tambahan lain bisa menyebabkan risiko cedera pada manusia. Hanya gunakan aksesori atau perangkat tambahan sesuai dengan peruntukannya.

Jika Anda memerlukan bantuan lebih rinci berkenaan dengan aksesori ini, tanyakan pada Pusat Layanan Makita terdekat.

- Roda pemotong abrasif
- Roda intan
- Kunci pas
- Sabuk sinkronisasi
- Selongsong kopling
- Kunci busi
- Baterai dan pengisi daya asli buatan Makita

**CATATAN:** Beberapa item dalam daftar tersebut mungkin sudah termasuk dalam paket mesin sebagai aksesori standar. Hal tersebut dapat berbeda dari satu negara ke negara lainnya.



## SPEKIFIKASI

Model:	CE001G
Diameter roda	355 mm
Ketebalan roda maks.	5.0 mm
Kedalaman pemotongan maks.	127 mm
Kelajuan terkadar	5,300 min <sup>-1</sup>
Voltan terkadar	D.C. 72 V - 80 V maks
Tekanan memberi air maks. yang dibenarkan	5.0 bar
Panjang keseluruhan	786 mm
Berat bersih	12.3 - 12.9 kg
Tahap perlindungan	IPX4

- Disebabkan program penyelidikan dan pembangunan kami yang berterusan, spesifikasi yang terkandung di dalam ini adalah tertakluk kepada perubahan tanpa notis.
- Spesifikasi mungkin berbeza mengikut negara.
- Berat mungkin berbeza bergantung kepada pemasangan, termasuk kartrij bateri. Kombinasi paling ringan dan paling berat, mengikut Prosedur EPTA 01/2014, ditunjukkan di dalam jadual.

### Kartrij bateri dan pengecas yang boleh digunakan

Kartrij bateri	BL4040 / BL4050F* * : Bateri yang disyorkan
Pengecas	DC40RA / DC40RB / DC40RC

- Sesetengah kartrij bateri dan pengecas yang disenaraikan di atas mungkin tidak tersedia bergantung pada kawasan kediaman anda.

**⚠️ AMARAN:** Gunakan hanya kartrij bateri dan pengecas yang disenaraikan di atas. Penggunaan mana-mana kartrij bateri dan pengecas yang lain mungkin menyebabkan kecederaan dan/atau kebakaran.

### Simbol

Berikut menunjukkan simbol-simbol yang boleh digunakan untuk alat ini. Pastikan anda memahami maksudnya sebelum menggunakan.



Baca manual arahan.



Pakai cermin mata keselamatan.



Ni-MH  
Li-ion

Hanya untuk negara-negara EU  
Disebabkan kehadiran komponen berbahaya dalam peralatan, sisa peralatan elektrik dan elektronik, akumulator dan bateri boleh memberi kesan negatif terhadap persekitaran dan kesihatan manusia.

Jangan buang alat elektrik dan elektronik atau bateri bersama dengan bahan buangan isi rumah!  
Mengikut Arahan Eropah mengenai sisa peralatan elektrik dan elektronik dan mengenai akumulator dan bateri dan sisa akumulator dan bateri serta penyesuaian dengan undang-undang negara, sisa peralatan elektrik, bateri dan akumulator hendaklah disimpan secara berasingan dan dihantar ke tempat pengumpulan berasingan untuk sisa perbandaran, beroperasi mengikut peraturan perlindungan persekitaran.  
Ini ditunjukkan oleh simbol tong sampah beroda yang bersilang pada peralatan.

### Tujuan penggunaan

Alat ini bertujuan untuk memotong bahan logam dengan roda pemotongan pelepas dan juga bahan batu dengan roda intan.

# AMARAN KESELAMATAN

## Amaran keselamatan umum alat kuasa

**⚠️AMARAN:** Baca semua amaran keselamatan, arahan, ilustrasi dan spesifikasi yang disediakan dengan alat kuasa ini. Kegagalan mengikut amaran dan arahan boleh menyebabkan kejutan elektrik, kebakaran dan/atau kecederaan serius.

## Simpan semua amaran dan arahan untuk rujukan masa depan.

Istilah "alat kuasa" dalam amaran merujuk kepada alat kuasa yang menggunakan tenaga elektrik (kabel) atau alat kuasa yang menggunakan bateri (tanpa kord).

### Keselamatan kawasan kerja

1. **Pastikan kawasan kerja bersih dan terang.** Kawasan berselerak atau gelap mengundang kemalangan.
2. **Jangan kendalikan alat kuasa dalam keadaan yang mudah meletup, seperti dalam kehadiran cecair, gas atau habuk yang mudah terbakar.** Alat kuasa menghasilkan percikan api yang boleh menyalakan debu atau wasap.
3. **Jauhkan kanak-kanak dan orang ramai semasa mengendalikan alat kuasa.** Gangguan boleh menyebabkan anda hilang kawalan.

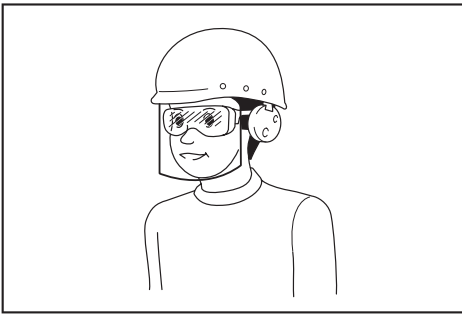
### Keselamatan elektrik

1. **Palam alat kuasa mesti sepadan dengan soket.** Jangan ubah suai palam dalam apa cara sekalipun. Jangan gunakan sebarang palam penyesuai dengan alat kuasa terbumi. Palam yang tidak diubah suai dan soket yang sepadan akan mengurangkan risiko kejutan elektrik.
2. **Elakkan sentuhan badan dengan permukaan terbumi, seperti paip, radiator, dapur dan peti sejuk.** Terdapat peningkatan risiko kejutan elektrik jika elektrik terbumi terkena badan anda.
3. **Jangan biarkan alat kuasa terkena hujan atau basah.** Air yang memasuki alat kuasa akan meningkatkan risiko kejutan elektrik.
4. **Jangan salah gunakan kord.** Jangan gunakan kord untuk membawa, menarik atau mencabut palam alat kuasa. Jauhkan kord dari haba, minyak, bucu tajam atau bahagian yang bergerak. Kord yang rosak atau tersimpul meningkatkan risiko kejutan elektrik.
5. **Semasa mengendalikan alat kuasa di luar, gunakan kord sambungan yang bersesuaian untuk kegunaan luar.** Penggunaan kord yang sesuai untuk kegunaan luar mengurangkan risiko kejutan elektrik.
6. **Sekiranya pengendalian alat kuasa di lokasi lembap tidak dapat dielakkan, gunakan bekalan peranti arus sisa (RCD) yang dilindungi.** Penggunaan RCD mengurangkan risiko kejutan elektrik.

7. **Alat kuasa boleh menghasilkan medan elektromagnetik (EMF) yang tidak berbahaya kepada pengguna.** Walau bagaimanapun, pengguna perentak jantung atau peranti perubatan yang serupa harus menghubungi pembuat peranti mereka dan/atau doktor untuk nasihat sebelum mengendalikan alat kuasa ini.

### Keselamatan diri

1. **Sentiasa berwaspada, perhatikan apa yang anda lakukan dan guna akal budi semasa mengendalikan alat kuasa. Jangan gunakan alat kuasa semasa anda letih atau di bawah pengaruh dadah, alkohol atau ubat.** Kelekaan seketika semasa mengendalikan alat kuasa boleh menyebabkan kecederaan diri yang serius.
2. **Gunakan peralatan pelindungan diri. Sentiasa pakai pelindungan mata.** Peralatan pelindungan seperti topeng debu, kasut keselamatan tak mudah tergelincir, topi keselamatan atau pelindungan pendengaran yang digunakan untuk keadaan yang sesuai akan mengurangkan kecederaan diri.
3. **Elakkan permulaan yang tidak disengajakan. Pastikan suis ditutup sebelum menyambung kepada sumber kuasa dan/atau pek bateri, semasa mengangkat atau membawa alat.** Membawa alat kuasa dengan jari anda pada suis atau menentagakan alat kuasa dengan suis pada kedudukan hidup mengundang kemalangan.
4. **Alihkan sebarang kunci atau sepana pelaras sebelum menghidupkan alat kuasa.** Sepana atau kunci yang ditinggalkan pada bahagian berputar alat kuasa boleh menyebabkan kecederaan diri.
5. **Jangan lampau jangkau. Jaga pijakan dan keseimbangan yang betul pada setiap masa.** Ini membolehkan kawalan alat kuasa yang lebih baik dalam situasi yang tidak dijangka.
6. **Berpakaian dengan betul. Jangan pakai pakaian yang longgar atau barang kemas. Jauhkan rambut dan pakaian anda dari bahagian yang bergerak.** Pakaian longgar, barang kemas atau rambut yang panjang boleh terperangkap dalam bahagian yang bergerak.
7. **Jika peranti disediakan untuk sambungan kemudahan pengekstrakan dan pengumpulan habuk, pastikan ia disambung dan digunakan dengan betul.** Penggunaan pengumpulan habuk boleh mengurangkan bahaya berkaitan habuk.
8. **Jangan biarkan kebiasaan daripada kekerapan penggunaan alat membuatkan anda berpuas hati dan mengabaikan prinsip keselamatan alat.** Kecuaian boleh menyebabkan kecederaan serius dalam sekelip mata.
9. **Sentiasa pakai gogal pelindung untuk melindungi mata anda daripada kecederaan apabila menggunakan alat kuasa.** Gogal mestilah mematuhi ANSI Z87.1 di AS, EN 166 di Eropah, atau AS/NZS 1336 di Australia/New Zealand. Di Australia/New Zealand, undang-undang mengarahkan untuk memakai pelindung muka bagi melindungi muka anda, juga.



**Menjadi tanggungjawab majikan untuk menguatkuasa penggunaan peralatan perlindungan keselamatan yang bersesuaian oleh pengendali alat dan oleh orang lain dalam kawasan bekerja semasa.**

#### **Penggunaan dan penjagaan alat kuasa**

1. **Jangan gunakan alat kuasa dengan kasar. Gunakan alat kuasa yang betul untuk penggunaan anda.** Alat kuasa yang betul akan melakukan tugas dengan lebih baik dan lebih selamat pada kadar mana ia direka cipta.
2. **Jangan gunakan alat kuasa jika suis tidak berfungsi untuk menghidupkan dan mematikannya.** Alat kuasa yang tidak dapat dikawal dengan suis adalah berbahaya dan mesti dibaiki.
3. **Cabut palam dari sumber kuasa dan/atau keluarkan pek bateri, jika boleh ditanggalkan, dari alat kuasa sebelum membuat sebarang pelarasan, menukar aksesori, atau menyimpan alat kuasa.** Langkah-langkah keselamatan pencegahan sedemikian mengurangkan risiko memulakan alat kuasa secara tidak sengaja.
4. **Simpan alat kuasa yang tidak digunakan jauh dari jangkauan kanak-kanak dan jangan biarkan orang yang tidak biasa dengan alat kuasa atau arahan ini untuk mengendalikan alat kuasa.** Alat kuasa adalah berbahaya di tangan pengguna yang tidak terlatih.
5. **Menyelenggara alat kuasa dan aksesori. Periksa salah jajaran atau ikatan pada bahagian yang bergerak, bahagian yang pecah dan apa-apa keadaan lain yang boleh menjejaskan operasi alat kuasa. Jika rosak,baiki alat kuasa sebelum digunakan.** Kebanyakan kemalangan adalah disebabkan oleh alat kuasa yang tidak dijaga dengan baik.
6. **Pastikan alat pemotong tajam dan bersih.** Alat pemotong yang dijaga dengan betul dengan hujung pemotong yang tajam mempunyai kemungkinan yang rendah untuk terikat dan lebih mudah dikendalikan.
7. **Gunakan alat kuasa, aksesori dan alat bit dan sebagainya mengikut arahan ini dengan mengambil kira keadaan kerja dan kerja yang perlu dilakukan.** Penggunaan alat kuasa untuk operasi yang berbeza dari yang dimaksudkan boleh menyebabkan keadaan berbahaya.

8. **Pastikan pemegang dan permukaan pegangan kering, bersih dan bebas dari minyak dan gris.** Pemegang dan permukaan pegangan yang licin tidak membolehkan pengendalian dan kawalan selamat bagi alat dalam situasi yang tidak dijangka.
9. **Apabila menggunakan alat, jangan pakai sarung tangan kerja kain yang mungkin boleh kusut.** Kekusutan sarung tangan kerja kain pada bahagian yang bergerak boleh menyebabkan kecederaan diri.

#### **Penggunaan dan penjagaan alat bateri**

1. **Cas semula dengan pengecas yang ditentukan oleh pengeluar sahaja.** Pengecas yang sesuai untuk satu jenis pek bateri mungkin menimbulkan risiko kebakaran apabila digunakan dengan pek bateri lain.
2. **Gunakan alat kuasa dengan pek bateri yang ditentukan secara khusus sahaja.** Penggunaan mana-mana pek bateri lain mungkin menimbulkan risiko kecederaan dan kebakaran.
3. **Apabila pek bateri tidak digunakan, jauhkannya daripada objek besi lain, seperti klip kertas, duit syiling, paku, skru atau objek besi kecil lain, yang boleh membuat sambungan dari satu terminal ke yang lain.** Memintas terminal bateri bersama-sama mungkin menyebabkan lecuran atau kebakaran.
4. **Di bawah keadaan kasar, cecair mungkin dikeluarkan daripada bateri; elakkan sentuhan. Jika tersentuh secara tidak sengaja, siram dengan air. Jika cecair terkena mata, dapatkan bantuan perubatan di samping siraman air.** Cecair yang dikeluarkan dari bateri mungkin menyebabkan kegatalan atau lecuran.
5. **Jangan gunakan pek bateri atau alat yang rosak atau diubah suai.** Bateri yang rosak atau diubah suai mungkin menunjukkan perilaku yang tidak dijangka menyebabkan kebakaran, letupan atau risiko kecederaan.
6. **Jangan dedahkan pek bateri atau alat kepada api atau suhu yang berlebihan.** Pendedahan kepada api atau suhu melebihi 130 °C mungkin menyebabkan letupan.
7. **Ikut semua arahan pengecasan dan jangan cas pek bateri atau alat di luar julat suhu yang ditetapkan dalam arahan.** Mengecas dengan tidak betul atau pada suhu di luar julat yang dinyatakan mungkin merosakkan bateri dan meningkatkan risiko kebakaran.

#### **Servis**

1. **Pastikan alat kuasa anda diservis oleh orang yang berkelayakan dengan hanya menggunakan alat ganti yang sama.** Ini akan memastikan keselamatan alat kuasa dapat dikekalkan.
2. **Jangan servis pek bateri yang telah rosak.** Servis pek bateri hanya boleh dilakukan oleh pengeluar atau penyedia servis yang sah.
3. **Ikut arahan untuk melincir dan menukar aksesori.**

## Amaran keselamatan pemotong tanpa kord

- 1. Pelindung yang disediakan dengan alat hendaklah dilampirkan dengan selamat kepada alat kuasa dan meletakkan pada keselamatan yang maksimum, oleh itu jumlah roda yang paling sedikit terdedah kepada pengendali. Jauhkan diri anda dan orang ramai dari satah roda berputar.** Pelindung membantu melindungi pengendali daripada serpihan roda yang pecah dan sentuhan dengan roda yang tidak sengaja.
- 2. Hanya menggunakan roda yang terikat atau pemotongan berlian untuk alat kuasa anda.** Hanya kerana aksesori boleh dipasang pada alat kuasa anda, itu tidak menjamin operasi yang selamat.
- 3. Kelajuan kadaran aksesori mesti sekurang-kurangnya sama seperti kelajuan maksimum yang ditandakan pada alat kuasa.** Aksesori yang beroperasi lebih laju daripada kelajuan kadarannya boleh pecah dan berkecai.
- 4. Roda mesti digunakan hanya untuk penggunaan yang disyorkan. Contohnya: jangan kisar dengan sisi roda pemotongan.** Roda pemotongan pelepas bertujuan untuk pengisaran persisian dan daya sisi yang dikenakan kepada roda ini mungkin menyebabkannya pecah.
- 5. Sentiasa gunakan bibir roda yang tidak rosak yang mempunyai diameter yang betul untuk roda yang anda pilih.** Bibir roda yang betul menyokong roda dan dapat mengurangkan kemungkinan roda akan pecah.
- 6. Jangan gunakan roda yang lama dikuatkan daripada alat kuasa yang lebih besar.** Roda yang bertujuan untuk alat kuasa yang lebih besar tidak sesuai untuk kelajuan lebih tinggi pada alat yang lebih kecil dan mungkin meletup.
- 7. Diameter luar dan ketebalan aksesori anda mesti dalam perkadaran kapasiti alat kuasa anda.** Aksesori dengan saiz yang tidak betul tidak boleh dijaga atau dikawal dengan secukupnya.
- 8. Saiz arbor roda dan bibir mestilah betul-betul sepadan dengan spindel alat kuasa.** Roda dan bibir dengan lubang arbor yang tidak sepadan dengan perkakasan pelekapan alat kuasa akan tidak seimbang, bergetar secara berlebihan dan boleh menyebabkan hilang kawalan.
- 9. Jangan gunakan roda yang rosak. Sebelum setiap penggunaan, periksa roda untuk sebarang serpihan atau retakan. Jika alat kuasa atau roda terjatuh, periksa kerosakan atau pasang roda yang tidak rosak. Selepas pemeriksaan dan pemasangan roda, jauhkan diri anda dan orang ramai daripada satah roda yang berputar dan jalankan alat kuasa pada kelajuan tanpa beban maksimum selama seminit.** Roda yang rosak biasanya akan pecah berderai semasa tempoh ujian ini.
- 10. Pakai peralatan pelindung diri. Bergantung kepada penggunaan, gunakan pelindung muka, gogal keselamatan atau cermin mata keselamatan. Sebagaimana yang sesuai, pakai topeng habuk, pelindung pendengaran, sarung tangan dan apron bengkel yang mampu menghalang serpihan pelepas atau bahan kerja yang kecil.** Pengadang mata mesti mampu menghalang serpihan yang terbang yang dihasilkan oleh pelbagai operasi. Topeng habuk atau alat pernafasan mesti mampu menapis zarah yang dihasilkan oleh operasi anda. Pendedahan yang berlanjutan kepada hingar dengan keamatan yang tinggi boleh menyebabkan hilang pendengaran.
- 11. Pastikan orang ramai berada pada jarak yang selamat dari kawasan kerja. Sesiapa sahaja yang memasuki kawasan kerja mesti memakai peralatan pelindung diri.** Serpihan bahan kerja atau roda yang pecah mungkin berterbangan dan menyebabkan kecederaan di luar kawasan operasi terdekat.
- 12. Pegang alat kuasa dengan permukaan mencengkam terkuat sahaja apabila melakukan operasi di mana aksesori pemotong boleh tersentuh wayar tersembunyi.** Aksesori pemotong yang bersentuhan dengan wayar "hidup" boleh menyebabkan bahagian logam terdedah alat kuasa "hidup" dan boleh memberi kejutan elektrik kepada pengendali.
- 13. Jangan sekali-kali meletakkan alat kuasa ke bawah sehingga aksesori telah berhenti sepenuhnya.** Roda yang berputar boleh menyambar permukaan dan menarik alat kuasa daripada kawalan anda.
- 14. Jangan jalankan alat kuasa ketika membawanya di sisi anda.** Sentuhan secara tidak sengaja dengan aksesori yang berputar boleh menyebabkan pakaian anda tersangkut dan menarik aksesori ke badan anda.
- 15. Bersihkan dengan kerap bolong udara alat kuasa.** Kipas motor akan mengeluarkan habuk di dalam perumah dan pengumpulan logam serbuk yang berlebihan boleh menyebabkan bahaya elektrik.
- 16. Jangan kendalikan alat kuasa berhampiran bahan mudah terbakar.** Percikan boleh menyalakan bahan ini.

### Tolak keluar dan amaran berkaitan

Tolak keluar ialah tindak balas tiba-tiba kepada roda berputar yang tersepit atau tersangkut. Tersepit atau tersangkut menyebabkan roda berputar terhenti cepat menyebabkan gilirannya alat kuasa yang tidak terkawal dipaksa ke arah yang bertentangan dengan putaran roda pada titik pengikatan. Sebagai contoh, jika roda pelepas tersangkut atau tersepit pada bahan kerja, bahagian tepi roda yang memasuki titik sepiatan boleh menekan dalam permukaan bahan menyebabkan roda ternaik atau terkeluar. Roda mungkin sama ada melantun ke arah atau jauh daripada pengendali, bergantung kepada arah pergerakan roda ketika aksesori tersepit. Roda pelepas mungkin juga pecah di bawah keadaan ini.

Tolak keluar adalah akibat daripada penyalahgunaan alat kuasa dan/atau prosedur atau keadaan operasi yang tidak betul dan boleh dielakkan dengan mengambil langkah berjaga-jaga yang betul seperti yang diberikan di bawah.

1. **Kekalkan gengaman yang kukuh pada alat kuasa dan pastikan kedudukan badan dan lengan anda membolehkan anda menahan daya tolak keluar. Sentiasa gunakan pemegang tambahan, jika disediakan, untuk kawalan maksimum terhadap tolak keluar atau tindak balas tork semasa permulaan.** Pengendali boleh mengawal tindak balas tork atau daya tolak keluar, jika langkah berjaga-jaga yang betul diambil.
2. **Jangan sekali-kali meletakkan tangan anda dekat dengan aksesori yang berputar.** Aksesori mungkin ditolak keluar ke atas tangan anda.
3. **Pastikan badan anda tidak berada sebaris dengan roda berputar.** Tolak keluar akan mendorong alat ke arah bertentangan kepada pergerakan roda ketika aksesori tersangkut.
4. **Menggunakan dengan lebih berhati-hati apabila bekerja di sudut, pinggir yang tajam dan sebagainya. Elakkan aksesori daripada melantun dan tersangkut.** Sudut, pinggir yang tajam atau melantun mempunyai kecenderungan untuk menyebabkan aksesori berputar tersangkut dan menyebabkan hilang kawalan atau tolak keluar.
5. **Jangan pasang rantai gergaji, bilah pengukir kayu, roda intan bersegmen dengan celah pinggir lebih besar daripada 10 mm atau bilah gergaji bergigi.** Bilah seperti ini akan kerap menghasilkan tolak keluar dan hilang kawalan.
6. **Jangan biarkan roda “tersekat” atau mengenakan tekanan berlebihan. Jangan cuba membuat kedalaman potongan yang berlebihan.** Menghentikan tekanan yang berlebihan kepada roda akan meningkatkan beban dan kecenderungan untuk berputar atau terkapor roda dalam potongan dan kemungkinan tolak keluar atau roda pecah.
7. **Apabila roda tersangkut atau apabila gangguan pemotongan berlaku atas apa jua sebab, matikan alat kuasa dan pegang alat kuasa tidak bergerak sehingga roda berhenti sepenuhnya. Jangan sekali-kali cuba menanggalkan roda daripada potongan ketika roda sedang bergerak, jika tidak tolak keluar mungkin berlaku.** Siasat dan ambil tindakan pembetulan untuk menyingkirkan sebab roda tersangkut.
8. **Jangan mulakan semula operasi pemotongan dalam bahan kerja. Biarkan roda mencapai kelajuan penuh dan masukkan semula roda ke dalam potongan dengan berhati-hati.** Roda boleh mengikat, berjalan atau tolak keluar jika alat kuasa dimulakan semula di dalam bahan kerja.
9. **Menyokong panel atau sebarang bahan kerja yang terlalu besar untuk meminimumkan risiko roda tersepit atau tolak keluar.** Bahan kerja yang besar mudah melendut di bawah beratnya sendiri. Penyokong mesti diletakkan di bawah bahan kerja berhampiran garisan potongan dan berhampiran pinggir bahan kerja pada kedua-dua belah roda.

10. **Menggunakan langkah yang lebih berhati-hati apabila membuat “potongan poket” ke dalam dinding sedia ada atau kawasan terlindung yang lain.** Roda yang menonjol mungkin memotong paip gas atau air, pendawaian elektrik atau objek yang boleh menyebabkan tolak keluar.

#### **Amaran Keselamatan Tambahan:**

1. **Sebelum menggunakan roda intan bersegmen, pastikan roda intan mempunyai celah pinggir antara segmen 10 mm atau kurang, hanya dengan sudut cakar negatif.**
2. **Jangan sekali-kali cuba potong alat yang dipegang terbalik di dalam ragum. Ini boleh mengakibatkan kemalangan serius, kerana ia sangat berbahaya.**
3. **Sesetengah bahan mengandungi bahan kimia yang mungkin toksik. Sila berhati-hati untuk mencegah penyedutan habuk dan sentuhan kulit. Ikut data keselamatan pembekal bahan.**
4. **Simpan roda mengikut saranan pengilang. Penyimpanan yang tidak betul boleh merosakkan roda.**
5. **Sentiasa menggunakan roda yang sesuai untuk kerja anda dan bahan yang akan dipotong.**
6. **Periksa bahan yang akan dipotong sebelum memotong.** Jika bahan itu mengandungi bahan letupan atau yang mudah terbakar, ia boleh menyebabkan letupan atau kebakaran.
7. **Jangan menghidupkan alat jika objek asing tersekat di antara pelindung dan roda.** Dalam kes ini, nyahpasang kartrij bateri dan keluarkan objek asing.
8. **Menggunakan pengapit atau yang serupa untuk menyokong bahan kerja apabila mungkin.**
9. **Sentiasa memakai perlindungan pendengaran semasa operasi.**
10. **Jangan potong bahan kayu dengan alat ini.**
11. **Diameter luar dan ketebalan roda mesti dalam perbandingan kapasiti alat kuasa anda.** Roda dengan saiz yang tidak betul tidak boleh dijaga atau dikawal dengan secukupnya.
12. **Apabila mengendalikan alat kuasa, kekalkan gengaman yang kuat dengan kedua-dua tangan pada alat kuasa dan pastikan kedudukan badan dan lengan anda membolehkan anda menahan daya tolak keluar.**
13. **Jauhkan tangan dan muka anda daripada roda yang berputar.**
14. **Laraskan penutup roda kepada kedudukan yang sesuai untuk kerja anda.**
15. **Apabila anda menggunakan alat di tanah berlumpur, cerun basah, atau tempat yang licin, beri perhatian kepada pijakan anda.**
16. **Jangan menenggelamkan alat ke dalam lopak.**
17. **Jangan biarkan alat di luar rumah tanpa pengawasan di dalam hujan.**
18. **Jangan menggantikan bateri dalam hujan.**
19. **Apabila menyimpan alat, elakkan cahaya matahari langsung dan hujan, dan simpan di tempat yang tidak panas atau lembap.**

## SIMPAN ARAHAN INI.

**AMARAN:** JANGAN biarkan keselesaan atau kebiasaan dengan produk (daripada penggunaan berulang) menggantikan pematuhan ketat terhadap peraturan keselamatan untuk produk yang ditetapkan. SALAH GUNA atau kegagalan mematuhi peraturan-peraturan keselamatan yang dinyatakan dalam manual arahan ini boleh menyebabkan kecederaan diri yang serius.

### Arahan keselamatan penting untuk kartrij bateri

1. Sebelum menggunakan kartrij bateri, baca semua arahan dan tanda amaran pada (1) pengecas bateri, (2) bateri, dan (3) produk menggunakan bateri.
2. Jangan buka atau cabut kartrij bateri. Ia boleh mengakibatkan kebakaran, haba berlebihan, atau letupan.
3. Jika masa operasi menjadi sangat pendek, berhenti operasi serta merta. Ia mungkin menyebabkan risiko pemanasan lampau, melecur bahkan letupan.
4. Jika elektrolit masuk ke dalam mata anda, bilas mata dengan air jernih dan dapatkan rawatan perubatan serta merta. Ia mungkin menyebabkan kehilangan penglihatan.
5. Jangan pintaskan kartrij bateri:
  - (1) Jangan sentuh terminal dengan bahan berkonduksi.
  - (2) Elakkan menyimpan kartrij bateri dalam bekas bersama-sama objek besi lain seperti paku, duit syiling, dll.
  - (3) Jangan dedahkan kartrij bateri kepada air atau hujan.Pintasan bateri boleh menyebabkan aliran kuasa yang besar, pemanasan lampau, melecure dan juga kerosakan.
6. Jangan simpan dan gunakan alat dan kartrij bateri di lokasi yang suhunya mungkin mencapai atau melebihi 50 °C (122 °F).
7. Jangan bakar kartrij bateri walaupun jika ia rosak teruk atau haus sepenuhnya. Kartrij bateri boleh meletup dalam kebakaran.
8. Jangan paku, potong, pecahkan, buang, jatuhkan kartrij bateri, atau tekan objek keras pada kartrij bateri. Perbuatan sedemikian boleh mengakibatkan kebakaran, haba berlebihan, atau letupan.
9. Jangan gunakan bateri yang rosak.

10. **Bateri litium ion yang terkandung adalah tertakluk kepada keperluan Perundangan Barangan Berbahaya.**

Bagi pengangkutan komersil cth. oleh pihak ketiga, ejen penghantar, keperluan khas pada pembungkusan dan pelabelan mestilah diperhatikan.

Bagi persediaan item yang dihantar, berunding dengan pakar bahan berbahaya adalah diperlukan. Sila juga perhatikan sebolehnya peraturan kebangsaan yang lebih terperinci. Lekatkan atau balut bahagian terbuka dan pek bateri supaya ia tidak bergerak dalam pembungkusan.
11. **Apabila melupuskan kartrij bateri, keluarkan ia daripada alat dan lupuskan ia di tempat selamat. Ikut peraturan tempatan anda mengenai pelupusan bateri.**
12. **Gunakan bateri hanya dengan produk yang ditentukan oleh Makita.** Memasang bateri kepada produk yang tidak patuh mungkin menyebabkan kebakaran, pemanasan lampau, atau kebocoran elektrolit.
13. **Jika alat tidak digunakan untuk tempoh masa yang lama, bateri mesti dikeluarkan daripada alat.**
14. **Semasa dan selepas penggunaan, kartrij bateri mungkin ada haba yang boleh menyebabkan terbakar atau suhu rendah terbakar. Beri perhatian kepada pengendalian kartrij bateri yang panas.**
15. **Jangan sentuh terminal alat itu selepas digunakan kerana ia mungkin panas menyebabkan terbakar.**
16. **Jangan biarkan cip, habuk, atau tanah terperangkap ke dalam terminal, lubang, dan alur cahaya kartrij bateri.** Ia mungkin menyebabkan pemanasan, terbakar, meletup dan pincang tugas alat atau kartrij bateri, seterusnya menyebabkan lecur atau kecederaan diri.
17. **Melainkan alat ini menyokong penggunaan yang hampir dari talian kuasa elektrik voltan tinggi, jangan gunakan kartrij bateri berhampiran talian kuasa elektrik voltan tinggi.** Ia mungkin menyebabkan kerosakan atau pecah pada alat atau kartrij bateri.
18. **Jauhkan bateri daripada kanak-kanak.**

## SIMPAN ARAHAN INI.

**PERHATIAN:** Hanya gunakan bateri asli Makita. Penggunaan bateri tidak asli Makita, atau bateri yang telah diubah suai, mungkin menyebabkan bateri meletup menyebabkan kebakaran, kecederaan diri dan kerosakan. Ia juga membatalkan jaminan Makita untuk alat Makita dan pengecas.

## Tip untuk mengekalkan hayat bateri maksimum

1. **Cas kartrij bateri sebelum ternyata habis sepenuhnya. Sentiasa hentikan operasi alat dan cas kartrij bateri apabila anda menyedari kurang kuasa alat.**

- Jangan cas semula kartrij bateri yang dicas sepenuhnya. Terlebih cas memendekkan hayat servis bateri.
- Cas kartrij bateri dengan suhu bilik pada 10 °C - 40 °C (50 °F - 104 °F). Biarkan kartrij bateri yang panas menyejuk sebelum mengecasnya.
- Apabila tidak menggunakan kartrij bateri, tanggalkannya dari alat atau pengecas.
- Cas kartrij bateri jika anda tidak gunakannya untuk tempoh yang lama (lebih daripada enam bulan).

## KETERANGAN BAHAGIAN

### ► Rajah1

1	Roda pemotongan pelepas / roda intan	2	Pelindung roda	3	Pencengkam penutup roda	4	Genggaman depan
5	Lampu	6	Kartrij bateri	7	Butang buka kunci	8	Roda caster
9	Butang kunci aci	10	Penutup (untuk tali sawat V)	11	Picu	12	Salur masuk air
13	Pemegang	14	Pemicu suis	15	Butang lampu	16	Penunjuk beban lebih
17	Lengan gandingan	18	Kotak sepana	-	-	-	-

## KETERANGAN FUNGSI

**⚠PERHATIAN:** Sentiasa pastikan alat dimatikan dan kartrij bateri dikeluarkan sebelum menyelaraskan atau menyemak fungsi pada alat.

### Memasang atau mengeluarkan kartrij bateri

**⚠PERHATIAN:** Sentiasa matikan alat sebelum memasang atau mengeluarkan kartrij bateri.

**⚠PERHATIAN:** Pegang alat dan kartrij bateri dengan kukuh apabila memasang atau mengeluarkan kartrij bateri. Gagal untuk memegang alat dan kartrij bateri dengan kukuh mungkin menyebabkan mereka terlepas daripada tangan anda dan mengakibatkan kerosakan kepada alat dan kartrij bateri dan kecederaan peribadi.

Untuk memasang kartrij bateri, sejajarkan lidah pada kartrij bateri dengan alur pada perumah dan selitkan ia ke tempatnya. Masukkan ia sepenuhnya sehingga ia terkunci di tempatnya dengan klik kecil. Jika anda boleh melihat penunjuk merah di sisi atas butang, ia tidak dikunci sepenuhnya.

► **Rajah2:** 1. Penunjuk merah 2. Butang 3. Kartrij bateri

Untuk mengeluarkan kartrij bateri, angkat kartrij bateri sambil menekan butang di bahagian depan kartrij.

**⚠PERHATIAN:** Sentiasa pasang kartrij bateri sepenuhnya sehingga penunjuk merah tidak boleh dilihat. Jika tidak, ia mungkin jatuh daripada alat, menyebabkan kecederaan kepada anda atau seseorang di sekeliling anda.

**⚠PERHATIAN:** Jangan pasang kartrij bateri secara paksa. Jika kartrij tidak meluncur dengan mudah, ia tidak dimasukkan dengan betul.

**NOTA:** Alat tidak berfungsi dengan hanya satu kartrij bateri.

### Menunjukkan kapasiti bateri yang tinggal

Tekan butang semak pada kartrij bateri untuk menunjukkan kapasiti bateri yang tinggal. Lampu penunjuk menyala untuk beberapa saat.

► **Rajah3:** 1. Lampu penunjuk 2. Butang semak

Lampu penunjuk			Kapasiti yang tinggal
Dinyalakan	Mati	Berkelip	
■ ■ ■ ■			75% hingga 100%
■ ■ ■ □			50% hingga 75%
■ ■ □ □			25% hingga 50%
■ □ □ □			0% hingga 25%
▣ □ □ □			Cas bateri.
■ ■ □ □			Bateri mungkin telah rosak.
□ □ ■ ■			

**NOTA:** Bergantung kepada keadaan penggunaan dan suhu persekitaran, penunjuk mungkin berbeza sedikit daripada kapasiti sebenar.

**NOTA:** Lampu penunjuk (kiri jauh) pertama akan berkelip apabila sistem perlindungan bateri berfungsi.

## Sistem perlindungan alat / bateri

Alat dilengkapi dengan sistem perlindungan alat/bateri. Sistem ini memotong kuasa kepada motor secara automatik untuk memanjangkan hayat alat dan bateri. Alat akan berhenti secara automatik semasa operasi jika alat atau bateri diletakkan di bawah salah satu keadaan berikut.

### Perlindungan lebih beban

Apabila alat/bateri beroperasi dengan cara yang menyebabkan ia menarik arus tinggi yang luar biasa, alat secara automatik terhenti. Dalam situasi ini, matikan alat dan hentikan penggunaan yang menyebabkan alat menjadi terlebih beban. Kemudian hidupkan alat untuk mula semula.

### Perlindungan pemanasan lampau

Apabila alat/bateri terlampau panas, alat akan berhenti secara automatik dan lampu berkelip. Dalam situasi ini, biarkan alat sejuk sebelum menghidupkan semula alat.

### Perlindungan lebih nyahcas

Apabila kapasiti bateri menjadi rendah, mesin akan berhenti secara automatik dan lampu penunjuk kartrij bateri berkelip. Jika alat tidak beroperasi walaupun suis telah dioperasikan, keluarkan bateri daripada alat dan cas bateri.

### Perlindungan terhadap punca lain

Sistem perlindungan juga direka bentuk untuk punca lain yang boleh merosakkan alat dan membolehkan alat berhenti secara automatik. Ambil semua langkah berikut untuk membuang punca, apabila alat telah dibawa kepada berhenti sementara atau berhenti beroperasi.

1. Matikan alat dan kemudian hidupkan alat lagi untuk mula semula.
2. Cas bateri atau gantikan bateri dengan bateri yang telah dicas.
3. Biarkan mesin dan bateri menyejuk.

Jika tiada penambahbaikan boleh didapati melalui pemuliharaan sistem perlindungan, maka hubungi Pusat Servis Makita tempatan anda.

**NOTIS:** Jika alat berhenti kerana sebab yang tidak diterangkan di atas, rujuk bahagian penyelesaian masalah.

### Amaran beban lebih

Jika alat ini dikendalikan dengan beban berlebihan, penunjuk beban lebih akan berkelip merah. Dalam situasi ini, kurangkan beban pada alat itu. Kemudian, penunjuk berhenti berkelip.

► **Rajah4:** 1. Penunjuk beban lebih

## Tindakan suis

**AMARAN:** Sebelum memasang kartrij bateri ke dalam alat, sentiasa periksa untuk melihat pemicu suis bergerak dengan betul dan kembali ke posisi "OFF" apabila dilepaskan.

**AMARAN:** JANGAN SEKALI-KALI gagalkan butang buka kunci dengan mengetuk atau dengan cara yang lain. Suis dengan butang buka kunci yang tidak berfungsi mungkin menyebabkan operasi yang tidak disengajakan dan kecederaan diri yang serius.

**AMARAN:** JANGAN SEKALI-KALI gunakan alat jika ia berjalan apabila anda hanya menarik pemicu suis tanpa menekan butang buka kunci. Suis yang perlu dibaiki mungkin menyebabkan operasi yang tidak disengajakan dan kecederaan diri yang serius. Kembalikan alat kepada pusat servis Makita untuk pembaikan yang betul SEBELUM penggunaan seterusnya.

Untuk mengelakkan pemicu suis daripada ditarik secara tidak sengaja, butang buka kunci disediakan. Untuk memulakan alat, tekan butang buka kunci dan tarik pemicu suis. Lepaskan pemicu suis untuk berhenti.

► **Rajah5:** 1. Pemicu suis 2. Butang buka kunci

**NOTIS:** Jangan tarik pemicu suis dengan kuat tanpa menekan butang buka kunci. Ini boleh menyebabkan suis rosak.

## Menyalakan lampu

**PERHATIAN:** Jangan lihat ke dalam cahaya atau lihat sumber cahaya secara langsung.

Untuk menghidupkan lampu, tekan butang lampu. Untuk mematikan lampu, tekan butang lampu sekali lagi.

► **Rajah6:** 1. Butang lampu 2. Lampu

**NOTA:** Lampu akan dimatikan secara automatik jika tidak beroperasi dengan alat selama satu minit.

## Melaraskan penutup roda

Pegang pencengkam penutup roda dan laraskan kedudukan penutup roda sesuai untuk kerja anda.

► **Rajah7:** 1. Pencengkam penutup roda

## Teknologi penderiaan maklum balas aktif

Alat secara elektronik mengesan situasi roda mungkin berdepan risiko dikekang. Dalam situasi itu, alat secara automatik dimatikan bagi mencegah putaran spindel selanjutnya (ia tidak mencegah tolak keluar).

Untuk mula semula alat, matikan suis alat dahulu, keluarkan punca kejatuhan mengejut dalam kelajuan putaran, kemudian hidupkan alat.



## Brek elektrik

Brek elektrik diaktifkan selepas alat dimatikan. Brek tidak berfungsi apabila bekalan kuasa ditutup, seperti bateri dikeluarkan secara tidak sengaja, dengan suis masih aktif.

## PEMASANGAN

**⚠️PERHATIAN:** Sentiasa pastikan alat dimatikan dan kartrij bateri dikeluarkan sebelum menjalankan sebarang kerja pada alat.

### Memasang atau mengeluarkan roda pemotongan pelepas / roda intan

**⚠️PERHATIAN:** Gunakan hanya perengkuh Makita untuk memasang atau mengeluarkan roda.

**⚠️PERHATIAN:** Apabila memasang roda, pastikan untuk mengetatkan bolt dengan kuat.

**⚠️PERHATIAN:** Jangan tekan butang kunci aci apabila roda sedang berputar.

Untuk mengeluarkan roda, tekan butang kunci aci dan putar roda sehingga roda tidak dapat berputar. Semasa kunci aci dikunci sepenuhnya, putar bolt heksagon ikut lawan jam dengan menggunakan kotak sepana. Kemudian tanggalkan bolt heksagon, roda, gelang dan bebibir mengikut urutan.

► **Rajah8:** 1. Butang kunci aci 2. Kotak sepana 3. Ketatkan 4. Longgarkan

► **Rajah9:** 1. Bolt heksagon 2. Bebibir 3. Gelang 4. Roda pemotongan pelepas / roda intan 5. Anak panah (arah putaran roda)

Untuk memasang roda, ikut prosedur pemuangan di belakang.

**PASTIKAN UNTUK MENGETATKAN BOLT HEKSAGON DENGAN SELAMAT.**

**⚠️PERHATIAN:** Sentiasa memasang roda supaya anak panah pada mata roda di arah yang sama dengan anak panah pada pelindung roda. Jika tidak roda berputar ke belakang, ia boleh menyebabkan kecederaan peribadi.

**⚠️PERHATIAN:** Hanya guna roda yang ditanda dengan kelajuan yang sama atau lebih tinggi daripada kelajuan yang ditanda pada alat.

**NOTA:** Apabila memasang roda, pastikan untuk memasang bebibir supaya sisi leper bebibir menghadap roda, dan pasang gelang yang sepadan dengan diameter dalam roda.

► **Rajah10:** 1. Bolt heksagon 2. Bebibir 3. Gelang 4. Roda pemotongan pelepas / roda intan

## Menyambung kepada bekalan air

1. Sediakan hos air.
2. Keluarkan nat pada lengan gandingan dan memberi hos air melalui nat. Masukkan hujung hos ke dalam lengan gandingan dan kemudian ketatkan nat tersebut.  
► **Rajah11:** 1. Hos air 2. Nat lengan gandingan 3. Lengan gandingan
3. Sambung hos air ke bekalan air.

Apabila menyambung kepada kepala paip air, gunakan pemasangan yang sesuai seperti pengikat hos atau paip air sambung bersama.

► **Rajah12:** 1. Pengikat hos 2. Paip air sambung bersama 3. Hos air

**NOTA:** Pemasangan bergantung kepada bentuk kepala paip yang anda sambung. Sediakan pemasangan dibeli secara komersial yang sesuai.

**NOTA:** Jika anda menggunakan paip air sambung bersama, sediakan lengan gandingan yang lain dan pasangkannya ke hujung hos yang lain.

**NOTA:** Apabila menggunakan pam air, ikuti arahan pam air anda untuk menyambung hos air.

4. Tolak lengan gandingan ke dalam salur masuk air sehingga ia dikunci dengan satu klik.  
► **Rajah13:** 1. Lengan gandingan 2. Salur masuk air 3. Picu

**NOTIS:** Pastikan picu ditutup sehingga anda mula operasi pemotongan dengan memberi air. Untuk cara memberi air, rujuk kepada bahagian operasi.

## OPERASI

**⚠️PERHATIAN:** Pastikan anda memegang bahan kerja dengan kuat pada bangku atau meja yang stabil semasa operasi.

**⚠️PERHATIAN:** Jangan memental atau memaksa alat itu untuk dipotong, atau motor mungkin terlebih beban atau bahan kerja boleh pecah.

### Pemotong

**⚠️PERHATIAN:** Semasa operasi, jangan bawa alat yang lebih tinggi daripada ketinggian bahu anda.

► **Rajah14**

Pegang alat dengan kukuh. Genggam pemegang dengan tangan kanan dan pencengkam depan dengan tangan kiri anda. Untuk mengelakkan kejutan elektrik dengan memotong kabel elektrik secara tidak sengaja, sentiasa memegang pencengkam depan pada bahagian yang ditetapkan seperti yang ditunjukkan dalam rajah.

► **Rajah15:** 1. Bahagian untuk dipegang

Gerakkan alat di atas permukaan bahan kerja, pastikan ia rata dan bergerak dengan lancar sehingga pemotongan selesai. Pastikan garis pemotongan anda lurus dan kelajuan seragam.

► **Rajah16**

**NOTA:** Apabila suhu kartrij bateri adalah rendah, alat itu mungkin tidak berfungsi dengan kapasiti yang penuh. Pada masa ini, sebagai contoh, gunakan alat untuk potongang yang ringan untuk seketika sehingga kartrij bateri panas setinggi suhu bilik. Kemudian, alat ini boleh berfungsi dengan kapasiti penuh.

**NOTA:** Jika tindakan pemotongan roda intan berkurang, kemaskan sisi roda pemotong menggunakan roda pengisar grit bangku kasar atau blok konkrit yang lama. Memotong dengan menekan ringan di pinggir luar roda intan.

## Apabila memberi air semasa memotong

**⚠PERHATIAN:** Apabila menggunakan roda intan jenis basah, sentiasa memberi air semasa memotong.

Sambungkan alat tersebut ke bekalan air dan putar picu ke arah anak panah seperti digambarkan. Laraskan kedudukan picu untuk mendapatkan aliran air yang perlahan.

► **Rajah17:** 1. Picu

**⚠PERHATIAN:** Apabila memberi air, sentiasa simpan kepala alat yang lebih rendah daripada badan alat untuk mencegah air masuk ke dalam mekanisme alat. Kegagalan berbuat demikian boleh menyebabkan kejutan elektrik.

► **Rajah18**

## PENYELENGGARAAN

**⚠PERHATIAN:** Sentiasa pastikan alat dimatikan dan kartrij bateri dikeluarkan sebelum cuba menjalankan pemeriksaan atau penyelenggaraan.

**NOTIS:** Jangan gunakan petrol, benzin, pencair, alkohol atau bahan yang serupa. Ia boleh menyebabkan perubahan warna, bentuk atau keretakan.

Untuk mengekalkan KESELAMATAN dan KEBOLEHPERCAYAAN produk, pembaikan, apa-apa penyelenggaraan atau penyesuaian lain perlu dilakukan oleh Kilang atau Pusat Servis Makita yang Diiktiraf, sentiasa gunakan alat ganti Makita.

## Membersihkan alat

Selepas setiap penggunaan, keluarkan kartrij bateri dan roda, dan kemudian bersihkan habuk, kotoran atau serpihan logam yang terkumpul di dalam pelindung roda. Bersihkan badan alat dengan menyapu habuk, kotor dengan kain kering atau kain yang dicelup dalam air sabun dan diperah. Gunakan kain kering untuk mengelap kotoran daripada lensa lampu. Berhati-hati agar tidak mencalarakan lensa lampu, atau ia mungkin mengurangkan pencahayaan.

► **Rajah19:** 1. Pelindung roda 2. Lensa lampu

## Membersihkan lubang udara

Bersihkan bolong udara alat dengan kerap atau apabila bolong tersebut mula tersekat.

► **Rajah20:** 1. Bolong udara

## Menggantikan tali sawat segerak

1. Keluarkan kartrij bateri dan roda.  
2. Longgarkan bolt soket heksagon menggunakan hujung kotak sepana dan kemudian keluarkan penutup.  
► **Rajah21:** 1. Kotak sepana 2. Bolt soket heksagon 3. Penutup

3. Tolak masuk butang kunci aci dan tahan ia untuk mengunci takal yang besar dan kemudian putarkan nat lawan arah jam menggunakan hujung nipis kotak sepana.  
► **Rajah22:** 1. takal besar 2. Butang kunci aci

4. Tolak masuk butang kunci aci dan tahan ia untuk mengunci takal besar dan kemudian putarkan cakera kecil lawan arah jam menggunakan hujung tebal kotak sepana untuk melonggarkan tali sawat segerak.  
► **Rajah23:** 1. Butang kunci aci 2. Takal besar 3. Cakera kecil

5. Tanggalkan tali sawat.

6. Dengan alur pada bahagian dalam tali sawat, pasang satu hujung tali sawat pada takal kecil dan kemudian pasang satu lagi hujung tali sawat pada takal besar.  
► **Rajah24:** 1. Tali sawat 2. Takal besar 3. Takal kecil

7. Tolak masuk butang kunci aci dan tahan ia untuk mengunci takal besar dan kemudian putarkan cakera kecil mengikut arah jam menggunakan hujung tebal kotak sepana untuk mengetatkan tali sawat.  
► **Rajah25:** 1. Butang kunci aci 2. Takal besar

**NOTA:** Pastikan bahawa cakera kecil berada dalam kedudukan yang ditunjukkan pada rajah.

► **Rajah26:** 1. Cakera kecil

8. Tolak masuk butang kunci aci dan tahan ia untuk mengunci takal besar dan kemudian putarkan nat mengikut arah jam menggunakan hujung nipis kotak sepana.  
► **Rajah27:** 1. Butang kunci aci

**NOTA:** Apabila mengetatkan nat, kenakan 19 - 21 N•m sebagai tork pengetatan.

9. Pasang penutup dan kemudian ketatkan bolt soket heksagon menggunakan hujung kotak sepana.

► **Rajah28:** 1. Kotak sepana 2. Bolt soket heksagon 3. Penutup

## PENYELESAIAN MASALAH

Sebelum meminta pembaikan, jalankan pemeriksaan sendiri terlebih dahulu. Jika anda mendapati masalah tidak diterangkan dalam manual, jangan cuba untuk menanggalkan alat. Sebaliknya, tanya Pusat Servis Sah Makita, sentiasa gunakan alat ganti Makita untuk pembaikan.

Keadaan keabnormalan	Sebab yang mungkin (kerosakan)	Remedi
Motor tidak berjalan.	Kartrij bateri tidak dipasang.	Pasang dua kartrij bateri. Alat ini tidak bekerja dengan hanya satu kartrij bateri.
	Masalah bateri (voltan rendah)	Cas semula bateri. Jika mengecas tidak berkesan, gantikan kartrij bateri.
	Sistem pacuan tidak berfungsi dengan betul.	Tanya pusat servis sah tempatan anda untuk pembaikan.
Motor berhenti berfungsi selepas digunakan seketika.	Tahap bateri terlalu rendah.	Cas semula bateri. Jika mengecas tidak berkesan, gantikan kartrij bateri.
	Pemanasan melampau.	Berhenti menggunakan alat untuk membenarkan ia sejuk.
Putaran roda tidak mempercepatkan dengan betul walaupun selepas menjalankan alat tanpa beban selama 20 saat.	Bateri tidak dipasang dengan betul.	Pasang kartrij bateri seperti yang diterangkan dalam manual ini.
	Kuasa bateri berkurangan.	Cas semula kartrij bateri. Jika mengecas tidak berkesan, gantikan kartrij bateri.
	Tali sawat segerak tergelincir.	Gantikan tali sawat segerak dengan yang baharu.
	Sistem pacuan tidak berfungsi dengan betul.	Tanya pusat servis sah tempatan anda untuk pembaikan.
Roda tidak berputar: ⇒ hentikan mesin serta-merta!	Tali sawat segerak tergelincir.	Gantikan tali sawat segerak dengan yang baharu.
	Objek asing tersekat antara pelindung dan roda.	Nyahpasang kartrij bateri dan kemudian keluarkan objek asing.
	Sistem pacuan tidak berfungsi dengan betul.	Tanya pusat servis sah tempatan anda untuk pembaikan.
Getaran tidak normal: ⇒ hentikan mesin serta-merta!	Sambungan roda yang tidak betul.	Pasang roda seperti yang diarahkan dalam manual ini. Mengetatkan bolt untuk menjamin roda kukuh.
	Sistem pacuan tidak berfungsi dengan betul.	Tanya pusat servis sah tempatan anda untuk pembaikan.
Alat potongan dan motor tidak boleh berhenti: ⇒ Keluarkan kartrij bateri serta-merta!	Pincang tugas elektrik atau elektronik.	Keluarkan kartrij bateri dan tanya pusat servis sah tempatan anda untuk pembaikan.
Prestasi pemotongan yang lemah	Sudah tiba masanya untuk menggantikan roda.	Menggantikan roda dengan yang baru.
Kebocoran air dari salur masuk.	Air bocor dari bahagian gelang O.	Tanya pusat servis sah tempatan anda untuk pembaikan.

## AKSESORI PILIHAN

**⚠PERHATIAN:** Aksesori-aksesori atau lampiran-lampiran ini adalah disyorkan untuk digunakan dengan alat Makita anda yang ditentukan dalam manual ini. Penggunaan mana-mana aksesori-aksesori atau lampiran-lampiran lain mungkin mengakibatkan risiko kecederaan kepada orang. Hanya gunakan aksesori atau lampiran untuk tujuan yang dinyatakannya.

- Roda pemotongan pelepas
- Roda intan
- Set gelang
- Tali sawat segerak
- Lengan gandingan
- Kotak sepana
- Bateri dan pengecas asli Makita

**NOTA:** Beberapa item dalam senarai mungkin disertakan dalam pakej alat sebagai aksesori standard. Item mungkin berbeza mengikut negara.

Jika anda memerlukan sebarang bantuan untuk maklumat lebih lanjut mengenai aksesori ini, tanya Pusat Perkhidmatan Makita tempatan anda.

## THÔNG SỐ KỸ THUẬT

Kiểu máy:	CE001G
Đường kính đĩa mài	355 mm
Độ dày đĩa mài tối đa	5,0 mm
Chiều sâu cắt tối đa	127 mm
Tốc độ định mức	5.300 min <sup>-1</sup>
Điện áp định mức	D.C. 72 V - tối đa 80 V
Áp suất được cho phép tối đa của cấp nước	5,0 bars
Tổng chiều dài	786 mm
Khối lượng tịnh	12,3 - 12,9 kg
Cấp bảo vệ	IPX4

- Do chương trình nghiên cứu và phát triển liên tục của chúng tôi nên các thông số kỹ thuật trong đây có thể thay đổi mà không cần thông báo trước.
- Các thông số kỹ thuật có thể thay đổi tùy theo từng quốc gia.
- Khối lượng có thể khác nhau tùy thuộc vào (các) phụ kiện, bao gồm cả hộp pin. Tổ hợp nhẹ nhất và nặng nhất, theo Quy trình EPTA 01/2014, được trình bày trong bảng.

### Hộp pin và sạc pin có thể áp dụng

Hộp pin	BL4040 / BL4050F* * : Pin được khuyến dùng
Bộ sạc	DC40RA / DC40RB / DC40RC

- Một số hộp pin và sạc pin được nêu trong danh sách ở trên có thể không khả dụng tùy thuộc vào khu vực cư trú của bạn.

**⚠ CẢNH BÁO:** Chỉ sử dụng hộp pin và sạc pin được nêu trong danh sách ở trên. Việc sử dụng bất cứ hộp pin và sạc pin nào khác có thể gây ra thương tích và/hoặc hỏa hoạn.

### Ký hiệu

Phần dưới đây cho biết các ký hiệu có thể được dùng cho thiết bị. Đảm bảo rằng bạn hiểu rõ ý nghĩa của các ký hiệu này trước khi sử dụng.



Đọc tài liệu hướng dẫn.



Mang kính an toàn.



Ni-MH  
Li-ion

Chỉ dành cho các quốc gia EU  
Do có các thành phần nguy hiểm bên trong thiết bị điện và điện tử, ắc quy và pin thải bỏ nên có thể có tác động không tốt đến môi trường và sức khỏe con người. Không vứt bỏ các thiết bị điện và điện tử hoặc pin với rác thải sinh hoạt!  
Theo Chỉ thị của Châu Âu về thiết bị điện và điện tử thải bỏ và về pin và ắc quy và pin và ắc quy thải bỏ, cũng như sự thích ứng của chúng với luật pháp quốc gia, các thiết bị điện, pin và ắc quy thải phải được cất giữ riêng biệt và chuyển đến một điểm thu gom rác thải đô thị riêng, hoạt động theo các quy định về bảo vệ môi trường. Điều này được biểu thị bằng biểu tượng thùng rác có bánh xe gạch chéo được đặt trên thiết bị.

### Mục đích sử dụng

Dụng cụ này được dùng để cắt vật liệu kim loại với đĩa cắt nhám và cả vật liệu gạch đá với đĩa mài kim cương.

# CẢNH BÁO AN TOÀN

## Cảnh báo an toàn chung dành cho dụng cụ máy

**⚠CẢNH BÁO:** Xin đọc tất cả các cảnh báo an toàn, hướng dẫn, minh họa và thông số kỹ thuật đi kèm với dụng cụ máy này. Việc không tuân theo các hướng dẫn được liệt kê dưới đây có thể dẫn đến điện giật, hỏa hoạn và/hoặc thương tích nghiêm trọng.

## Lưu giữ tất cả cảnh báo và hướng dẫn để tham khảo sau này.

Thuật ngữ “dụng cụ máy” trong các cảnh báo đề cập đến dụng cụ máy (có dây) được vận hành bằng nguồn điện chính hoặc dụng cụ máy (không dây) được vận hành bằng pin của bạn.

### An toàn tại nơi làm việc

- Giữ nơi làm việc sạch sẽ và có đủ ánh sáng.** Nơi làm việc bừa bộn hoặc tối thường dễ gây ra tai nạn.
- Không vận hành dụng cụ máy trong môi trường cháy nổ, ví dụ như môi trường có sự hiện diện của các chất lỏng, khí hoặc bụi dễ cháy.** Các dụng cụ máy tạo tia lửa điện có thể làm bụi hoặc khí bốc cháy.
- Giữ trẻ em và người ngoài tránh xa nơi làm việc khi đang vận hành dụng cụ máy.** Sự xao lãng có thể khiến bạn mất khả năng kiểm soát.

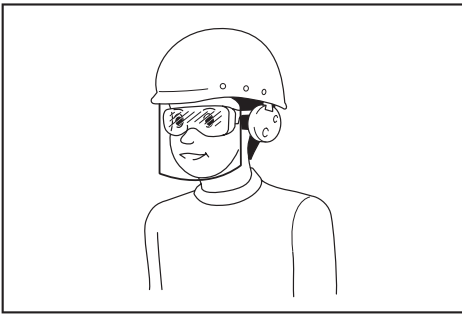
### An toàn về Điện

- Phích cắm của dụng cụ máy phải khớp với ổ cắm.** Không được sửa đổi phích cắm theo bất kỳ cách nào. Không sử dụng bất kỳ phích chuyển đổi nào với các dụng cụ máy được nối đất (tiếp đất). Các phích cắm còn nguyên vẹn và ổ cắm phù hợp sẽ giảm nguy cơ điện giật.
- Tránh đề cơ thể tiếp xúc với các bề mặt nóng đất hoặc tiếp đất như đường ống, bộ tản nhiệt, bếp ga và tủ lạnh.** Nguy cơ bị điện giật sẽ tăng lên nếu cơ thể bạn được nối đất hoặc tiếp đất.
- Không để dụng cụ máy tiếp xúc với mưa hoặc trong điều kiện ẩm ướt.** Nước lọt vào dụng cụ máy sẽ làm tăng nguy cơ điện giật.
- Không lạm dụng dây điện.** Không được phép sử dụng dây để mang, kéo hoặc tháo phích cắm dụng cụ máy. Giữ dây tránh xa nguồn nhiệt, dầu, các mép sắc hoặc các bộ phận chuyển động. Dây bị hỏng hoặc bị rối sẽ làm tăng nguy cơ điện giật.
- Khi vận hành dụng cụ máy ngoài trời, hãy sử dụng dây kéo dài phù hợp cho việc sử dụng ngoài trời.** Việc dùng dây phù hợp cho việc sử dụng ngoài trời sẽ giảm nguy cơ điện giật.
- Nếu bắt buộc phải vận hành dụng cụ máy ở nơi ẩm ướt, hãy sử dụng nguồn cấp điện được bảo vệ bằng thiết bị ngắt dòng điện rò (RCD).** Việc sử dụng RCD sẽ làm giảm nguy cơ điện giật.

- Các dụng cụ máy có thể tạo ra từ trường điện (EMF) có hại cho người dùng.** Tuy nhiên, người dùng máy trợ tim và những thiết bị y tế tương tự khác nên liên hệ với nhà sản xuất thiết bị và/hoặc bác sỹ để được tư vấn trước khi vận hành dụng cụ này.

### An toàn Cá nhân

- Luôn tỉnh táo, quan sát những việc bạn đang làm và sử dụng những phán đoán theo kinh nghiệm khi vận hành dụng cụ máy. Không sử dụng dụng cụ máy khi bạn đang mệt mỏi hoặc chịu ảnh hưởng của ma túy, rượu hay thuốc.** Chỉ một khoảnh khắc không tập trung khi đang vận hành dụng cụ máy cũng có thể dẫn đến thương tích cá nhân nghiêm trọng.
- Sử dụng thiết bị bảo hộ cá nhân. Luôn đeo thiết bị bảo vệ mắt.** Các thiết bị bảo hộ như mặt nạ chống bụi, giày an toàn chống trượt, mũ bảo hộ hay thiết bị bảo vệ thính giác được sử dụng trong các điều kiện thích hợp sẽ giúp giảm thương tích cá nhân.
- Tránh vô tình khởi động dụng cụ máy. Đảm bảo công tắc ở vị trí off (tắt) trước khi nối nguồn điện và/hoặc bộ pin, cầm hoặc di chuyển dụng cụ máy.** Giữ di chuyển dụng cụ máy khi đang đặt ngón tay ở vị trí công tắc hoặc cấp điện cho dụng cụ máy đang bật thường dễ gây ra tai nạn.
- Tháo tất cả các khóa hoặc cờ lê điều chỉnh trước khi bật dụng cụ máy.** Việc cờ lê hoặc khóa vẫn còn gắn vào bộ phận quay của dụng cụ máy có thể dẫn đến thương tích cá nhân.
- Không vớ quá cao. Luôn giữ thăng bằng tốt và có chỗ để chân phù hợp.** Điều này cho phép điều khiển dụng cụ máy tốt hơn trong những tình huống bất ngờ.
- Ăn mặc phù hợp. Không mặc quần áo rộng hay đeo đồ trang sức. Giữ tóc và quần áo tránh xa các bộ phận chuyển động.** Quần áo rộng, đồ trang sức hay tóc dài có thể mắc vào các bộ phận chuyển động.
- Nếu các thiết bị được cung cấp để kết nối các thiết bị thu gom và hút bụi, hãy đảm bảo chúng được kết nối và sử dụng hợp lý.** Việc sử dụng thiết bị thu gom bụi có thể làm giảm những mối nguy hiểm liên quan đến bụi.
- Không vì quen thuộc do thường xuyên sử dụng các dụng cụ mà cho phép bạn trở nên tự mãn và bỏ qua các nguyên tắc an toàn dụng cụ.** Một hành động bất cẩn có thể gây ra thương tích nghiêm trọng trong một phần của một giây.
- Luôn luôn mang kính bảo hộ để bảo vệ mắt khỏi bị thương khi đang sử dụng các dụng cụ máy. Kính bảo hộ phải tuân thủ ANSI Z87.1 ở Mỹ, EN 166 ở Châu Âu, hoặc AS/NZS 1336 ở Úc/New Zealand.** Tại Úc/New Zealand, theo luật pháp, bạn cũng phải mang mặt nạ che mặt để bảo vệ mặt.



Trách nhiệm của chủ lao động là bắt buộc người vận hành dụng cụ và những người khác trong khu vực làm việc cảnh đó phải sử dụng các thiết bị bảo hộ an toàn thích hợp.

### Sử dụng và bảo quản dụng cụ máy

- Không dùng lực đối với dụng cụ máy. Sử dụng đúng dụng cụ máy cho công việc của bạn.** Sử dụng đúng dụng cụ máy sẽ giúp thực hiện công việc tốt hơn và an toàn hơn theo giá trị định mức được thiết kế của dụng cụ máy đó.
- Không sử dụng dụng cụ máy nếu công tắc không bật và tắt được dụng cụ máy đó.** Mọi dụng cụ máy không thể điều khiển được bằng công tắc đều rất nguy hiểm và phải được sửa chữa.
- Rút phích cắm ra khỏi nguồn điện và/hoặc tháo kết nối bộ pin khỏi dụng cụ máy, nếu có thể tháo rời trước khi thực hiện bất kỳ công việc điều chỉnh, thay đổi phụ tùng hay cất giữ dụng cụ máy nào.** Những biện pháp an toàn phòng ngừa này sẽ giảm nguy cơ vô tình khởi động dụng cụ máy.
- Cất giữ các dụng cụ máy không sử dụng ngoài tầm với của trẻ em và không cho bất kỳ người nào không có hiểu biết về dụng cụ máy hoặc các hướng dẫn này vận hành dụng cụ máy.** Dụng cụ máy sẽ rất nguy hiểm nếu được sử dụng bởi những người dùng chưa qua đào tạo.
- Bảo dưỡng dụng cụ máy và các phụ kiện.** Kiểm tra tình trạng lệch trục hoặc bó kẹt của các bộ phận chuyển động, hiện tượng nứt vỡ của các bộ phận và mọi tình trạng khác mà có thể ảnh hưởng đến hoạt động của dụng cụ máy. Nếu có hỏng hóc, hãy sửa chữa dụng cụ máy trước khi sử dụng. Nhiều tai nạn xảy ra là do không bảo quản tốt dụng cụ máy.
- Luôn giữ cho dụng cụ cất được sắc bén và sạch sẽ.** Những dụng cụ cất được bảo quản tốt có mép cắt sắc sẽ ít bị kẹt hơn và dễ điều khiển hơn.
- Sử dụng dụng cụ máy, phụ tùng và đầu dụng cụ cắt, v.v... theo các hướng dẫn này, có tính đến điều kiện làm việc và công việc được thực hiện.** Việc sử dụng dụng cụ máy cho các công việc khác với công việc dự định có thể gây nguy hiểm.
- Giữ tay cầm và bề mặt tay cầm khô, sạch, không dính dầu và mỡ.** Tay cầm trơn trượt và bề mặt tay cầm không cho phép xử lý an toàn và kiểm soát dụng cụ trong các tình huống bất ngờ.

- Khi sử dụng dụng cụ, không được đi giày tay lao động bằng vải, có thể bị vướng.** Việc giày tay lao động bằng vải vướng vào các bộ phận chuyển động có thể gây ra thương tích cá nhân.

### Sử dụng và bảo quản dụng cụ dùng pin

- Chỉ sạc pin lại với bộ sạc do nhà sản xuất quy định.** Bộ sạc phù hợp với một loại bộ pin này có thể gây ra nguy cơ hỏa hoạn khi được dùng cho một bộ pin khác.
- Chỉ sử dụng các dụng cụ máy với các bộ pin được quy định cụ thể.** Việc sử dụng bất cứ bộ pin nào khác có thể gây ra thương tích và hỏa hoạn.
- Khi không sử dụng bộ pin, hãy giữ tránh xa các đồ vật khác bằng kim loại, chẳng hạn như kẹp giấy, tiền xu, chìa khóa, đinh, ốc vít hoặc các vật nhỏ bằng kim loại mà có thể làm nối tắt các đầu cực pin.** Các đầu cực pin bị đoản mạch có thể gây cháy hoặc hỏa hoạn.
- Trong điều kiện sử dụng quá mức, pin có thể bị cháy nước; hãy tránh tiếp xúc.** Nếu vô tình tiếp xúc với pin bị cháy nước, hãy rửa sạch bằng nước. Nếu dung dịch từ pin tiếp xúc với mắt, cần đi khám bác sĩ thêm. Dung dịch chảy ra từ pin có thể gây rát da hoặc bỏng.
- Không sử dụng bộ pin hoặc dụng cụ bị hư hỏng hoặc đã bị sửa đổi.** Pin đã bị hư hỏng hoặc đã bị sửa đổi có thể hành động theo cách không thể đoán trước dẫn đến cháy, nổ hoặc nguy cơ chấn thương.
- Không để bộ pin hoặc dụng cụ tiếp xúc với lửa hoặc nhiệt độ quá cao.** Tiếp xúc với lửa hoặc nhiệt độ trên 130 °C có thể gây ra cháy nổ.
- Làm theo tất cả các hướng dẫn sạc pin và không được sạc bộ pin hoặc dụng cụ vượt giới hạn nhiệt độ quy định trong hướng dẫn.** Sạc pin không đúng hoặc ở nhiệt độ vượt giới hạn nhiệt độ có thể gây hư hỏng cho pin và làm tăng nguy cơ cháy.

### Bảo dưỡng

- Đề nghị viên sửa chữa đủ trình độ bảo dưỡng dụng cụ máy của bạn và chỉ sử dụng các bộ phụ tùng thay thế đồng nhất.** Việc này sẽ đảm bảo phụ trì được an toàn của dụng cụ máy.
- Không bao giờ sử dụng bộ pin đã hỏng.** Dịch vụ bảo hành bộ pin chỉ nên thực hiện bởi nhà sản xuất hoặc các nhà cung cấp dịch vụ được ủy quyền.
- Tuân theo hướng dẫn dành cho việc bôi trơn và thay phụ tùng.**

### Cảnh báo an toàn về máy cắt chạy pin

- Phần bảo vệ đi kèm với dụng cụ phải được gắn chặt vào dụng cụ máy và được để ở vị trí an toàn tối đa, do đó số đĩa mài tiếp xúc với người vận hành là ít nhất. Hãy tìm chỗ đứng cho bản thân mình và những người xung quanh để tránh xa mặt phẳng đĩa mài đang quay. Phần bảo vệ giúp bảo vệ người vận hành khỏi các mảnh đĩa mài bị vỡ và vô tình tiếp xúc với đĩa mài.**

2. **Chỉ sử dụng đĩa cắt tăng cường gắn kết hoặc đĩa cắt kim cương cho dụng cụ máy của bạn.** Bởi nếu có thể gắn phụ kiện vào dụng cụ máy của bạn thì điều đó hoàn toàn không đảm bảo việc vận hành máy an toàn.
  3. **Tốc độ định mức của phụ kiện ít nhất phải bằng tốc độ tối đa được đánh dấu trên dụng cụ máy này.** Các phụ kiện chạy nhanh hơn tốc độ định mức của chúng có thể bị vỡ và bay ra ngoài.
  4. **Chỉ sử dụng đĩa mài cho các ứng dụng được khuyến nghị.** Ví dụ: không mài mặt bên của đĩa mài cắt. Đĩa mài cắt nhám được dùng để mài ngoại vi, tác dụng lực mặt bên lên những đĩa mài này có thể khiến chúng vỡ vụn.
  5. **Luôn luôn sử dụng mặt bích đĩa mài không bị hư hại có đường kính chính xác cho đĩa mài bạn đã chọn.** Các mặt bích đĩa mài phù hợp sẽ hỗ trợ đĩa mài giảm bớt khả năng bị vỡ đĩa mài.
  6. **Không sử dụng các đĩa mài tăng cường đã bị mài mòn từ các dụng cụ máy lớn hơn.** Đĩa mài dùng cho dụng cụ máy lớn hơn sẽ không phù hợp với tốc độ cao hơn của dụng cụ nhỏ hơn và có thể nổ.
  7. **Đường kính bên ngoài và độ dày của phụ kiện phải nằm trong mức đánh giá công suất của dụng cụ máy của bạn.** Các phụ kiện có kích thước không chính xác không thể được bảo vệ hoặc kiểm soát một cách đầy đủ.
  8. **Kích thước trục tâm của mặt bích và đĩa mài phải khớp với vòng hãm của dụng cụ máy này.** Mặt bích và đĩa mài có lỗ định vị giữa không khớp với phần cứng lắp đặt của dụng cụ máy sẽ bị mất cân bằng, rung động quá mức và có thể gây ra mất kiểm soát.
  9. **Không sử dụng đĩa mài đã hỏng.** Trước mỗi lần sử dụng, hãy kiểm tra đĩa mài xem có các mặt vụn và vết nứt hay không. Nếu dụng cụ máy hoặc đĩa mài bị rơi, hãy kiểm tra hư hỏng hoặc lắp lại đĩa mài không bị hư hại. Sau khi kiểm tra và cài đặt đĩa mài, hãy tìm chỗ đứng cho bản thân mình và những người xung quanh để tránh xa mặt phẳng đĩa mài quay và chạy dụng cụ máy này ở tốc độ không tải tối đa trong vòng một phút. Đĩa mài bị hư hỏng thông thường sẽ bị vỡ trong thời gian thử nghiệm này.
  10. **Mang thiết bị bảo hộ cá nhân.** Tùy thuộc vào việc sử dụng máy, hãy dùng mũ an toàn vệ mặt, kính bảo hộ hoặc kính an toàn. Khi thích hợp, hãy mang mặt nạ chống bụi, dụng cụ bảo vệ thính giác, găng tay và tạp dề công xường có khả năng ngăn chặn các mảnh mài mòn hoặc mảnh vỡ từ phôi gia công. Thiết bị bảo vệ mắt phải có khả năng ngăn chặn các mảnh vụn bay ra phát sinh bởi các hoạt động khác nhau. Mặt nạ chống bụi hoặc khẩu trang phải có khả năng lọc được các hạt tạo ra bởi hoạt động của bạn. Tiếp xúc kéo dài với tiếng ồn có cường độ cao có thể gây ra mất thính giác.
  11. **Giữ những người xung quanh tránh xa nơi làm việc một khoảng cách an toàn.** Bắt cứ ai bước vào khu vực làm việc đều phải đeo thiết bị bảo hộ cá nhân. Các mảnh vỡ của phôi gia công hoặc đĩa mài bị vỡ có thể bắn ra và gây thương tích bên ngoài khu vực thao tác cạnh đó.
  12. **Chỉ cầm dụng cụ máy bằng bề mặt tay cầm cách điện khi thực hiện một thao tác trong đó phụ kiện cắt có thể tiếp xúc với dây dẫn "có điện".** Phụ kiện cắt tiếp xúc với dây dẫn "có điện" có thể khiến các bộ phận kim loại bị hở của dụng cụ máy "có điện" và làm cho người vận hành bị điện giật.
  13. **Không bao giờ đặt dụng cụ máy xuống cho đến khi phụ kiện đã dừng hẳn.** Đĩa mài quay có thể quán tính bề mặt và kéo công cụ máy vượt khỏi tầm kiểm soát của bạn.
  14. **Không được chạy dụng cụ máy trong lúc đang mang bên hông bạn.** Tiếp xúc bất ngờ với phụ kiện quay có thể quán lý quần áo của bạn, kéo phụ kiện văng vào người bạn.
  15. **Thường xuyên làm sạch các lỗ thông hơi của dụng cụ máy.** Quạt của động cơ sẽ thu hút bụi vào bên trong vỏ và nhiều bột kim loại tích tụ có thể gây ra các nguy hiểm về điện.
  16. **Không vận hành công cụ máy gần các vật liệu dễ cháy.** Các tia lửa có thể kích cháy các vật liệu dễ cháy.
- Lực đẩy ngược và cảnh báo liên quan**
- Lực đẩy ngược là một phản ứng bất ngờ đối với đĩa mài đang quay nhưng bị kẹt hoặc bị quán. Việc bị kẹt hoặc quán sẽ làm đĩa mài đang quay bị dừng nhanh chóng và do đó dụng cụ máy không kiểm soát được sẽ bị buộc phải theo hướng đối diện hướng quay của đĩa mài tại điểm bị ràng buộc.
- Ví dụ, nếu đĩa nhám bị quán hoặc kẹt bởi phôi gia công, phần mép của đĩa đang đi vào điểm kẹt có thể cày xới bề mặt vật liệu làm đĩa nhám trượt hoặc văng ra ngoài. Đĩa nhám có thể hoặc bật ra về gần hoặc xa khỏi người vận hành, tùy thuộc vào hướng chuyển động của đĩa nhám tại điểm kẹt. Đĩa nhám cũng có thể bị vỡ trong những tình trạng sau.
- Lực đẩy ngược là kết quả của việc sử dụng dụng cụ máy không đúng và/hoặc do các quy trình vận hành hoặc các điều kiện không chính xác và có thể tránh được bằng cách thực hiện các biện pháp phòng ngừa thích hợp như được nêu dưới đây.
1. **Nắm giữ chắc dụng cụ máy và chọn thể đứng và vị trí tay cầm để cho phép bạn chống lại lực đẩy ngược.** Luôn luôn sử dụng tay cầm phụ, nếu được cung cấp, để kiểm soát tối đa lực đẩy ngược hoặc mô-men xoắn trong lúc khởi động. Người vận hành máy có thể kiểm soát mô-men xoắn hay lực đẩy ngược nếu thực hiện các biện pháp phòng ngừa đúng cách.
  2. **Không bao giờ đặt tay bạn gần phụ kiện quay.** Phụ kiện có thể trượt ngược lại lên tay bạn.
  3. **Không được để cơ thể bạn thẳng hàng với đĩa mài đang quay.** Lực đẩy ngược sẽ làm xoay dụng cụ theo hướng ngược lại chuyển động của đĩa mài tại vị trí bị quán.
  4. **Cần đặc biệt cẩn thận khi thao tác với các cạnh góc, mép sắc, v.v... Tránh làm dội ra và quán vào phụ kiện.** Các góc, mép sắc hoặc dội ra có xu hướng làm quán lấy phụ kiện đang quay và gây mất kiểm soát hoặc tạo lực đẩy ngược.
  5. **Không được gắn lưới cửa xích, khắc gỗ, đĩa mài kim cương hình quạt với khoảng cách ngoài vi lớn hơn 10 mm hoặc dính kèm lưới cửa có răng.** Các loại lưới như vậy thường tạo ra lực đẩy ngược và dễ mất kiểm soát.

6. **Không làm “kẹt” đĩa mài hoặc dùng lực quá nhiều. Không cố thực hiện chiều sâu cắt quá mức.** Dùng lực quá nhiều lên đĩa mài sẽ làm tăng tải trọng và dễ bị xoắn hoặc bó kẹt đĩa mài khi cắt và có khả năng đẩy ngược hoặc bị vỡ đĩa mài.
7. **Khi lưỡi cắt bị bó kẹt hoặc khi đường cắt bị gián đoạn vì bất kỳ lý do nào, hãy tắt dụng cụ máy và giữ dụng cụ máy đứng im cho đến khi đĩa mài hoàn toàn dừng lại. Không được cố gỡ đĩa mài ra khỏi đường cắt khi đĩa mài vẫn đang chuyển động nếu không có thể xảy ra hiện tượng bật ngược lại.** Kiểm tra và tiến hành khắc phục để loại bỏ nguyên nhân gây bó kẹt đĩa mài.
8. **Không khởi động lại thao tác cắt trong phôi gia công. Để đĩa mài đạt đến tốc độ tối đa và cân thận nhập lại đường cắt.** Đĩa mài có thể bị bó kẹt, bật lên hoặc bật ngược lại nếu dụng cụ máy được khởi động lại trong phôi gia công.
9. **Đỡ tấm ván hoặc phôi gia công có kích thước quá lớn để giảm thiểu nguy cơ làm kẹt bó đĩa và bật ngược lại.** Phôi gia công lớn thường có xu hướng võng xuống do khối lượng của nó. Phải đặt các giá đỡ dưới phôi gia công gần đường cắt và gần cạnh của phôi gia công ở cả hai phía của đĩa mài.
10. **Đặc biệt cẩn trọng khi thực hiện “cắt luân” vào các tường có sẵn hoặc các vùng khó nhìn khác.** Đĩa mài nhỏ ra có thể cắt phải ống ga hoặc ống nước, dây điện hoặc các vật có khả năng gây nên hiện tượng bật lại.

#### Cảnh báo An toàn Bổ sung:

1. **Trước khi sử dụng đĩa mài kim cương hình quạt, phải đảm bảo đĩa mài kim cương có khoảng cách ngoại vi giữa các chạc bánh răng là 10 mm hoặc ít hơn, chỉ với một góc nghiêng âm.**
2. **Không được cố cắt bằng dụng cụ bị kẹt lớn ngược trong dụng cụ kẹp. Điều này có thể dẫn tới những tai nạn nghiêm trọng, vì cực kỳ nguy hiểm.**
3. **Một số vật liệu có thể chứa hóa chất độc hại. Phải cẩn trọng tránh hít phải bụi và để tiếp xúc với da. Tuân theo dữ liệu an toàn của nhà cung cấp vật liệu.**
4. **Cắt giữ đĩa mài theo các khuyến nghị của nhà sản xuất. Cắt giữ không đúng cách có thể làm hỏng đĩa mài.**
5. **Luôn sử dụng đĩa mài phù hợp với công việc của bạn và vật liệu cần cắt.**
6. **Kiểm tra vật liệu cần cắt trước khi cắt. Nếu vật liệu có chứa chất nổ hoặc dễ cháy, nó có thể gây nổ hoặc hóa hoạn.**
7. **Không bật dụng cụ nếu có ngoại vật bị kẹt giữa chắn bảo vệ và đĩa mài. Trong trường hợp này, tháo hộp pin và gỡ ngoại vật ra.**
8. **Sử dụng kẹp hoặc vật tương tự để giữ chặt phôi gia công bất cứ khi nào có thể.**
9. **Luôn đeo thiết bị bảo vệ tai trong quá trình vận hành.**
10. **Không cắt vật liệu gỗ bằng dụng cụ này.**

11. **Đường kính bên ngoài và độ dày của bánh xe phải nằm trong định mức công suất của dụng cụ máy của bạn. Các bánh xe có kích thước không chính xác không thể được bảo vệ hoặc kiểm soát thích hợp.**
12. **Khi vận hành dụng cụ máy, phải luôn nắm chắc dụng cụ máy bằng cả hai tay và chọn vị trí cơ thể và cánh tay của bạn để cho phép bạn chống lại lực đẩy ngược.**
13. **Giữ tay hoặc mặt của bạn tránh xa bánh xe đang quay.**
14. **Điều chỉnh nắp đẩy bánh xe đến vị trí phù hợp với công việc của bạn.**
15. **Khi bạn sử dụng dụng cụ trên mặt đất bùn lầy, sườn dốc ẩm ướt, hoặc nơi trơn trượt, hãy chú ý đến chỗ để chân của bạn.**
16. **Không nhúng dụng cụ vào vũng nước.**
17. **Không để dụng cụ ngoài trời mà không có người giám sát dưới trời mưa.**
18. **Không thay pin dưới trời mưa.**
19. **Khi cất giữ dụng cụ, tránh ánh nắng trực tiếp và mưa, cất giữ ở nơi không nóng hoặc ẩm ướt.**

## LƯU GIỮ CÁC HƯỚNG DẪN NÀY.

**⚠ CẢNH BÁO: KHÔNG** vì đã thoải mái hay quen thuộc với sản phẩm (có được do sử dụng nhiều lần) mà không tuân thủ nghiêm ngặt các quy định về an toàn dành cho sản phẩm này. **VIỆC DÙNG SAI** hoặc không tuân theo các quy định về an toàn được nêu trong tài liệu hướng dẫn này có thể dẫn đến thương tích cá nhân nghiêm trọng.

## Hướng dẫn quan trọng về an toàn dành cho hộp pin

1. **Trước khi sử dụng hộp pin, hãy đọc kỹ tất cả các hướng dẫn và dấu hiệu cảnh báo trên (1) bộ sạc pin, (2) pin và (3) sản phẩm sử dụng pin.**
  2. **Không tháo rời hoặc làm thay đổi hộp pin. Việc này có thể dẫn đến hỏa hoạn, quá nhiệt hoặc nổ.**
  3. **Nếu thời gian vận hành ngắn hơn quá mức, hãy ngừng vận hành ngay lập tức. Điều này có thể dẫn đến rủi ro quá nhiệt, có thể gây bỏng và thậm chí là nổ.**
  4. **Nếu chất điện phân rơi vào mắt, hãy rửa sạch bằng nước sạch và đến cơ sở y tế ngay lập tức. Chất này có thể khiến bạn giảm thị lực.**
  5. **Không để hộp pin ở tình trạng đoản mạch:**
    - (1) Không chạm vào cực pin bằng vật liệu dẫn điện.
    - (2) Tránh cất giữ hộp pin trong hộp có các vật kim loại khác như đinh, tiền xu, v.v...
    - (3) Không được để hộp pin tiếp xúc với nước hoặc mưa.
- Đoản mạch pin có thể gây ra dòng điện lớn, quá nhiệt, có thể gây bỏng và thậm chí là hỏng hóc.
6. **Không cất giữ cũng như sử dụng dụng cụ và hộp pin ở nơi nhiệt độ có thể lên tới hoặc vượt quá 50 °C (122 °F).**



7. Không đốt hộp pin ngay cả khi hộp pin đã bị hư hại nặng hoặc hư hỏng hoàn toàn. Hộp pin có thể nổ khi tiếp xúc với lửa.
8. Không đóng đinh, cắt, nghiền nát, ném, làm rơi hộp pin hoặc va vật cứng vào hộp pin. Làm như thế có thể dẫn đến hỏa hoạn, quá nhiệt hoặc nổ.
9. Không sử dụng pin đã hỏng.
10. Pin nén lithium-ion là đối tượng có yêu cầu bắt buộc theo Luật Hàng hoá Nguy hiểm. Đối với vận tải thương mại, ví dụ như vận tải do bên thứ ba, đại lý giao nhận, thì yêu cầu đặc biệt về đóng gói và nhãn ghi phải được giám sát. Để chuẩn bị cho mặt hàng cần vận chuyển, cần phải tham khảo ý kiến chuyên gia về vật liệu nguy hiểm. Nếu được, vui lòng tuân thủ các quy định quốc gia chi tiết hơn. Buộc hoặc niêm phong các tiếp điểm mở và đóng gói pin theo cách đó để nó không thể di chuyển trong bao bì.
11. Khi rút bỏ hộp pin, hãy tháo chúng khỏi dụng cụ và thái bỏ ở nơi an toàn. Phải tuân thủ theo các quy định của địa phương liên quan đến việc thái bỏ pin.
12. Chỉ sử dụng pin cho các sản phẩm Makita chỉ định. Lắp pin vào sản phẩm không thích hợp có thể gây ra hỏa hoạn, quá nhiệt, nổ, hoặc rò chất điện phân.
13. Nếu dụng cụ không được sử dụng trong một thời gian dài, cần phải tháo pin ra khỏi dụng cụ.
14. Trong và sau khi sử dụng, hộp pin có thể bị nóng, có thể gây bỏng hoặc bỏng ở nhiệt độ thấp. Chú ý xử lý hộp pin nóng.
15. Không chạm vào điện cực của dụng cụ ngay sau khi sử dụng vì điện cực đủ nóng để gây bỏng.
16. Không để vụn bào, bụi hoặc đất bám vào các điện cực, lỗ và rãnh của hộp pin. Điều này có thể làm nóng, bắt lửa, nổ và gây trục trặc cho dụng cụ hoặc hộp pin, dẫn đến bỏng hoặc thương tích cá nhân.
17. Trừ khi dụng cụ hỗ trợ sử dụng gần đường dây điện cao thế, không sử dụng hộp pin gần đường dây điện cao thế. Việc này có thể dẫn đến trục trặc hoặc hỏng hóc dụng cụ hay hộp pin.
18. Giữ pin tránh xa trẻ em.

## LƯU GIỮ CÁC HƯỚNG DẪN NÀY.

**⚠ THẬN TRỌNG:** Chỉ sử dụng pin Makita chính hãng. Việc sử dụng pin không chính hãng Makita, hoặc pin đã được sửa đổi, có thể dẫn đến nổ pin gây ra cháy, thương tích và thiệt hại cá nhân. Nó cũng sẽ làm mất hiệu lực bảo hành của Makita dành cho dụng cụ của Makita và bộ sạc.

## Mẹo duy trì tuổi thọ tối đa cho pin

1. Sạc hộp pin trước khi pin bị xả điện hoàn toàn. Luôn dừng việc vận hành dụng cụ và sạc pin khi bạn nhận thấy công suất dụng cụ bị giảm.
2. Không được phép sạc lại một hộp pin đã được sạc đầy. Sạc quá mức sẽ làm giảm tuổi thọ của pin.
3. Sạc pin ở nhiệt độ phòng 10°C - 40°C. Để cho hộp pin nóng nguội lại dần trước khi sạc pin.
4. Khi không sử dụng hộp pin, hãy tháo hộp pin ra khỏi dụng cụ hoặc bộ sạc.
5. Sạc pin sáu tháng một lần nếu bạn không sử dụng dụng cụ trong một thời gian dài (hơn sáu tháng).

## MÔ TẢ CÁC BỘ PHẬN

### ► Hình 1

1	Đĩa cắt nhám / đĩa mài kim cương	2	Phần bảo vệ đĩa	3	Tay cầm nắp đậy bánh xe	4	Tay cầm trước
5	Đèn	6	Hộp pin	7	Nút nhả khóa	8	Bánh xe
9	Nút khóa trục	10	Nắp đậy (cho dây curoa chữ V)	11	Vòi	12	Đầu vào nước
13	Tay cầm	14	Cần khởi động công tắc	15	Nút đèn	16	Đèn chỉ báo quá tải
17	Trụ ngoài khớp nối	18	Cờ lê ống lồng	-	-	-	-

## MÔ TẢ CHỨC NĂNG

**⚠ THẬN TRỌNG:** Luôn đảm bảo rằng đã tắt dụng cụ và tháo hộp pin ra trước khi thực hiện việc điều chỉnh hoặc kiểm tra chức năng trên dụng cụ.

## Lắp hoặc tháo hộp pin

**⚠ THẬN TRỌNG:** Luôn tắt dụng cụ trước khi lắp hoặc tháo hộp pin.

**⚠ THẬN TRỌNG:** Giữ dụng cụ và hộp pin thật chắc khi lắp hoặc tháo hộp pin. Không giữ dụng cụ và hộp pin thật chắc có thể làm trượt chúng khỏi tay và làm hư hỏng dụng cụ và hộp pin hoặc gây thương tích cá nhân.

Đề lắp hộp pin, đặt thẳng hàng phần chốt nhô ra của hộp pin vào phần rãnh nằm trên vỏ và trượt hộp pin vào vị trí. Đưa hộp pin vào hết mức cho đến khi chốt khóa vào đúng vị trí với một tiếng cách nhẹ. Nếu bạn có thể nhìn thấy chỉ báo màu đỏ ở mặt trên của nút, điều đó có nghĩa là chốt vẫn chưa được khóa hoàn toàn.

► **Hình2:** 1. Chỉ báo màu đỏ 2. Nút 3. Hộp pin

Đề tháo hộp pin, nhấn hộp pin đồng thời đẩy nút ở phía trước hộp pin.

**⚠ THẬN TRỌNG:** Luôn lắp hộp pin khớp hoàn toàn vào vị trí cho đến khi không thể nhìn thấy đèn chỉ báo màu đỏ. Nếu không, hộp pin có thể vô tình rơi ra khỏi dụng cụ, gây thương tích cho bạn hoặc người khác xung quanh.

**⚠ THẬN TRỌNG:** Không được dùng sức lắp hộp pin. Nếu hộp pin không nhẹ nhàng trượt vào vị trí, có nghĩa là pin vẫn chưa được lắp đúng.

**LƯU Ý:** Dụng cụ này không hoạt động nếu chỉ có một hộp pin.

## Chỉ báo dung lượng pin còn lại

Ấn nút check (kiểm tra) trên hộp pin để chỉ báo dung lượng pin còn lại. Các đèn chỉ báo bật sáng lên trong vài giây.

► **Hình3:** 1. Các đèn chỉ báo 2. Nút Check (kiểm tra)

Các đèn chỉ báo			Dung lượng còn lại
Bật sáng	Tắt	Nhấp nháy	
■ ■ ■ ■			75% đến 100%
■ ■ ■ □			50% đến 75%
■ ■ □ □			25% đến 50%
■ □ □ □			0% đến 25%
▣ □ □ □			Sạc pin.
■ ■ □ □			Pin có thể đã bị hỏng.
□ □ ■ ■			

**LƯU Ý:** Tùy thuộc vào các điều kiện sử dụng và nhiệt độ xung quanh, việc chỉ báo có thể khác biệt một chút so với dung lượng thực sự.

**LƯU Ý:** Đèn chỉ báo (phía xa bên trái) đầu tiên sẽ nhấp nháy khi hệ thống bảo vệ pin hoạt động.

## Hệ thống bảo vệ dụng cụ / pin

Dụng cụ này được trang bị hệ thống bảo vệ dụng cụ / pin. Hệ thống này sẽ tự động ngắt nguồn điện đến động cơ để kéo dài tuổi thọ dụng cụ và pin. Dụng cụ sẽ tự động dừng vận hành khi dụng cụ hoặc pin ở một trong những trường hợp sau đây. Trong một số trường hợp, các đèn chỉ báo này sẽ sáng lên.

### Bảo vệ quá tải

Khi vận hành dụng cụ/pin trong điều kiện làm máy tiêu tốn dòng cao bất thường, dụng cụ sẽ tự động dừng lại. Trong trường hợp này, hãy tắt dụng cụ và ngừng ứng dụng làm cho dụng cụ trở nên quá tải. Sau đó bật dụng cụ lên để khởi động lại.

### Bảo vệ quá nhiệt

Khi dụng cụ/pin bị quá nhiệt, dụng cụ sẽ tự động dừng, và đèn sẽ nhấp nháy. Trong tình huống này, hãy để dụng cụ nguội lại trước khi bật dụng cụ một lần nữa.

### Bảo vệ xả điện quá mức

Khi dung lượng pin yếu, dụng cụ sẽ tự động dừng, và đèn chỉ báo của hộp pin sẽ nhấp nháy. Nếu dụng cụ không vận hành ngay cả khi vận hành công tắc, hãy tháo pin ra khỏi dụng cụ và sạc pin.

### Bảo vệ chống lại các nguyên nhân khác

Hệ thống bảo vệ cũng được thiết kế để chống lại các nguyên nhân khác có thể làm hỏng dụng cụ và cho phép dụng cụ tự động dừng. Thực hiện tất cả các bước sau đây để loại bỏ các nguyên nhân, khi dụng cụ đã được tạm dừng hoặc ngừng hoạt động.

1. Tắt dụng cụ, sau đó bật lại lần nữa để khởi động lại.
2. Sạc (các) pin hoặc thay pin/các pin bằng (các) pin đã sạc.
3. Để máy và (các) pin nguội dần.

Nếu không thấy cải thiện bằng cách khôi phục hệ thống bảo vệ, hãy liên hệ với Trung tâm Dịch vụ Makita tại địa phương của bạn.

**CHÚ Ý:** Nếu dụng cụ dừng vì nguyên nhân không được mô tả bên trên, hãy tham khảo phần xử lý sự cố.

### Cảnh báo quá tải

Nếu vận hành dụng cụ quá mức, đèn chỉ báo quá tải sẽ nhấp nháy màu đỏ. Trong tình huống này, hãy giảm tải trên dụng cụ. Sau đó, đèn chỉ báo ngừng nhấp nháy.

► **Hình4:** 1. Đèn chỉ báo quá tải

## Hoạt động công tắc

**⚠ CẢNH BÁO:** Trước khi lắp hộp pin vào dụng cụ, luôn luôn kiểm tra xem cần khởi động công tắc có hoạt động bình thường hay không và trả về vị trí "OFF" (TẮT) khi nhả ra.

**⚠ CẢNH BÁO:** KHÔNG ĐƯỢC PHÉP làm hỏng nút nhà khóa bằng cách buộc xuống hoặc một số cách khác. Một nút nhà khóa không hiệu quả có thể dẫn đến vận hành vô tình và thương tích cá nhân nghiêm trọng.

**⚠ CẢNH BÁO:** KHÔNG ĐƯỢC PHÉP sử dụng dụng cụ này nếu nó chạy khi bạn chỉ kéo cần khởi động công tắc mà không nhấn nút nhà khóa. Một công tắc cần sửa có thể dẫn đến vận hành vô tình và thương tích cá nhân nghiêm trọng. Hãy trả dụng cụ lại cho một trung tâm dịch vụ Makita để sửa chữa phù hợp TRƯỚC KHI sử dụng tiếp sau này.

Để ngăn ngừa vô tình kéo cần khởi động công tắc, dụng cụ được trang bị một nút nhà khóa. Để khởi động dụng cụ, nhà nút nhà khóa và kéo cần khởi động công tắc. Nhà cần khởi động công tắc ra để dừng.

► **Hình5:** 1. Cò khởi động công tắc 2. Nút nhà khóa

**CHÚ Ý:** Không kéo mạnh cần khởi động công tắc mà không nhấn nút nhà khóa. Điều này có thể làm hỏng công tắc.

## Bật sáng đèn

**⚠ THẬN TRỌNG:** Đừng nhìn thẳng trực tiếp vào đèn hoặc nguồn sáng.

Để bật đèn, nhấn nút đèn. Để tắt, nhấn nút đèn lần nữa.

► **Hình6:** 1. Nút đèn 2. Đèn

**LƯU Ý:** Đèn sẽ tự động được tắt nếu không vận hành với dụng cụ trong một phút.

## Điều chỉnh nắp đẩy bánh xe

Giữ tay cầm nắp đẩy bánh xe và điều chỉnh vị trí của nắp đẩy bánh xe phù hợp với công việc của bạn.

► **Hình7:** 1. Tay cầm nắp đẩy bánh xe

## Công nghệ cảm ứng Active feedback

Dụng cụ này phát hiện bằng điện tử các tình huống mà bánh xe có thể gặp nguy cơ bị đóng chặt. Trong tình huống này, dụng cụ sẽ tự động tắt để phòng ngừa trực tiếp xoay thêm (nó không ngăn cản lực đẩy ngược). Để khởi động lại dụng cụ, trước tiên hãy tắt dụng cụ, loại bỏ nguyên nhân gây ra giảm tốc độ xoay đột ngột, và sau đó bật dụng cụ.

## Phanh điện tử

Phanh điện tử sẽ được kích hoạt sau khi tắt dụng cụ. Phanh không hoạt động khi tắt nguồn cấp điện, chẳng hạn như vô tình tháo pin, với công tắc vẫn còn mở.

## LẮP RÁP

**⚠ THẬN TRỌNG:** Luôn đảm bảo rằng đã tắt dụng cụ và tháo hộp pin ra trước khi thực hiện bất cứ thao tác nào trên dụng cụ.

## Lắp hoặc tháo đĩa cắt nhôm / đĩa mài kim cương

**⚠ THẬN TRỌNG:** Chỉ sử dụng cờ lê Makita để tháo hoặc lắp đĩa mài.

**⚠ THẬN TRỌNG:** Khi lắp đĩa mài, đảm bảo đã vận chặt bu lông.

**⚠ THẬN TRỌNG:** Không nhấn nút khóa trực khi đĩa mài đang xoay.

Để tháo bánh xe, nhấn nút khóa trực và xoay bánh xe cho đến khi bánh xe không thể quay tròn. Trong khi khóa trực được khóa hoàn toàn, vận bu-lông lục giác ngược chiều kim đồng hồ bằng cờ lê ống lồng. Sau đó tháo bu-lông lục giác, mặt bích, bánh xe, vòng và vành theo thứ tự.

► **Hình8:** 1. Nút khóa trực 2. Cờ lê ống lồng 3. Vận chặt 4. Nới lỏng

► **Hình9:** 1. Bu-lông sáu cạnh 2. Vành 3. Vòng 4. Đĩa cắt nhôm / đĩa mài kim cương 5. Mũi tên (hướng xoay của đĩa mài)

Để lắp đĩa mài, hãy làm ngược lại quy trình tháo ra. ĐẢM BẢO ĐÃ VẬN CHẶT BU-LÔNG LỤC GIÁC.

**⚠ THẬN TRỌNG:** Luôn lắp đĩa mài sao cho mũi tên trên đầu mũi chỉ cùng hướng với mũi tên trên phần bảo vệ đĩa. Nếu không đĩa mài sẽ xoay ngược lại, nó có thể gây thương tích cá nhân.

**⚠ THẬN TRỌNG:** Chỉ sử dụng đĩa mài có ghi tốc độ bằng hoặc cao hơn tốc độ ghi trên dụng cụ.

**LƯU Ý:** Khi lắp bánh xe, hãy đảm bảo đã gắn các mặt bích sao cho mặt phẳng của vành hướng về bánh xe, và gắn vòng khớp với đường kính trong của bánh xe.

► **Hình10:** 1. Bu-lông lục giác 2. Vành 3. Vòng 4. Đĩa cắt nhôm / đĩa mài kim cương

## Nối với nguồn cấp nước

1. Chuẩn bị ống dẫn nước.  
2. Tháo đai ốc trên trụ ngoài khớp nối và luồn ống dẫn nước qua đai ốc. Đưa đầu của ống dẫn vào trụ ngoài khớp nối và vận chặt đai ốc.  
► **Hình11:** 1. Ống dẫn nước 2. Đai ốc của trụ ngoài khớp nối 3. Trụ ngoài khớp nối

3. Nối ống dẫn nước với nguồn cấp nước.

Khi nối với vòi nước, sử dụng ống nối thích hợp như đai ống hút hoặc khớp nối khóa nước.

► **Hình12:** 1. Đai ống hút 2. Khớp nối khóa nước 3. Ống dẫn nước

**LƯU Ý:** Ống nối phụ thuộc vào hình dạng của vòi nước mà bạn nối vào. Chuẩn bị ống nối thương mại đã mua phù hợp.

**LƯU Ý:** Nếu bạn sử dụng khớp nối khóa nước, hãy chuẩn bị một trụ ngoài khớp nối khác và gắn nó vào đầu còn lại của ống dẫn.

**LƯU Ý:** Khi sử dụng máy bơm nước, hãy làm theo hướng dẫn về máy bơm nước của bạn để nối ống dẫn nước.

4. Đẩy trụ ngoài khớp nối vào đầu vào nước cho đến khi nó được khóa với một tiếng cách.

► **Hình13:** 1. Trụ ngoài khớp nối 2. Đầu vào nước 3. Vòi

**CHÚ Ý:** Giữ vòi đóng cho đến khi bạn bắt đầu thao tác cắt bằng cách cấp nước. Để biết cách cấp nước, hãy tham khảo phần dành cho vận hành.

## VẬN HÀNH

**⚠ THẬN TRỌNG:** Đảm bảo giữ chặt phôi gia công xuống bàn máy hoặc bàn cố định trong khi vận hành.

**⚠ THẬN TRỌNG:** Không xoắn hoặc dùng lực đột với dụng cụ khi cắt, nếu không động cơ có thể quá tải hoặc phôi gia công có thể bị hỏng.

## CẮT

**⚠ THẬN TRỌNG:** Trong quá trình vận hành, không nâng dụng cụ cao hơn chiều cao vai của bạn.

► **Hình14**

Giữ chặt dụng cụ. Giữ tay cầm bằng tay phải và tay cầm trước bằng tay trái. Để tránh điện giật do vô tình cắt cáp điện, hãy luôn giữ tay cầm trước ở phần được chỉ định như minh họa trong hình.

► **Hình15:** 1. Phần để giữ

Di chuyển dụng cụ lên trên bề mặt phôi gia công, giữ cho nó bằng phẳng và đưa về trước nhẹ nhàng cho đến khi hoàn tất việc cắt. Giữ cho đường cắt thẳng và tốc độ chuyển động tiến đồng đều.

► **Hình16**

**LƯU Ý:** Khi nhiệt độ trong hộp pin thấp, dụng cụ có thể không làm việc theo hết công suất của nó. Ví dụ, vào lúc này, hãy dùng dụng cụ để cắt chế độ nhẹ một lúc cho đến khi hộp pin nóng lên cao bằng nhiệt độ trong phòng. Sau đó, dụng cụ có thể làm việc theo hết công suất của nó.

**LƯU Ý:** Nếu hoạt động cắt của đĩa mài kim cương bắt đầu giảm hiệu quả, hãy bảo nhẵn mép cắt của đĩa mài bằng cách sử dụng đĩa mài của máy mài hai đá mặt giữa thô đã bỏ cũ hoặc khối bê tông. Mài nhẵn bằng cách ấn nhẹ lên mép ngoài của đĩa mài kim cương.

## Khi cấp nước trong quá trình cắt

**⚠ THẬN TRỌNG:** Khi sử dụng đĩa mài kim cương loại ướt, hãy luôn cấp nước trong quá trình cắt.

Kết nối dụng cụ với nguồn cấp nước và xoay vòi theo hướng mũi tên như minh họa. Điều chỉnh vị trí của vòi để có được dòng nước nhẹ.

► **Hình17:** 1. Vòi

**⚠ THẬN TRỌNG:** Khi cấp nước, luôn giữ đầu dụng cụ thấp hơn thân dụng cụ để ngăn nước chảy vào cơ cấu dụng cụ. Không làm như vậy có thể gây ra điện giật.

► **Hình18**

## BẢO TRÌ

**⚠ THẬN TRỌNG:** Hãy luôn chắc chắn rằng dụng cụ đã được tắt và hộp pin đã được tháo ra trước khi cố gắng thực hiện việc kiểm tra hay bảo dưỡng.

**CHÚ Ý:** Không được phép dùng xăng, ết xăng, dung môi, cồn hoặc hóa chất tương tự. Có thể xảy ra hiện tượng mất màu, biến dạng hoặc nứt vỡ.

Để đảm bảo ĐỘ AN TOÀN và ĐỘ TIN CẬY của sản phẩm, việc sửa chữa hoặc bất cứ thao tác bảo trì, điều chỉnh nào đều phải được thực hiện bởi các Trung tâm Dịch vụ Nhà máy hoặc Trung tâm được Makita Ủy quyền và luôn sử dụng các phụ tùng thiết bị thay thế của Makita.

## Làm sạch dụng cụ

Sau mỗi lần sử dụng, tháo hộp pin và bánh xe, sau đó làm sạch bụi, bẩn hoặc mặt kim loại tích tụ bên trong phần bảo vệ đĩa. Làm sạch phần thân dụng cụ bằng cách lau hết bụi, bẩn bằng vải khô hoặc vải nhúng vào nước xà phòng và vắt khô. Dùng vải khô để lau bụi bẩn trên kính đèn. Cần thận không được làm xước kính đèn, nếu không đèn có thể bị giảm độ sáng.

► **Hình19:** 1. Phần bảo vệ đĩa 2. Kính đèn

## Làm sạch lỗ thông hơi

Thường xuyên vệ sinh các lỗ thông hơi của dụng cụ hoặc bất cứ khi nào các lỗ này bắt đầu bị kẹt vướng.

► **Hình20:** 1. Lỗ thông hơi

## Thay thế dây đai đồng bộ

1. Tháo hộp pin và bánh xe.

2. Nới lỏng các bu-lông đầu lỗ lục giác bằng cách sử dụng đầu cờ lê ống lồng, sau đó tháo nắp.

► **Hình21:** 1. Cờ lê ống lồng 2. Bu-lông đầu lỗ lục giác 3. Nắp che

3. Nhấn vào nút khóa trực và giữ nó để khóa pu-li lớn, sau đó vận đai ốc ngược chiều kim đồng hồ bằng cách sử dụng đầu mỏng của cờ lê ống lồng.

► **Hình22:** 1. Pu-li lớn 2. Nút khóa trực

4. Nhấn nút khóa trực và giữ nó để khóa pu-li lớn, sau đó xoay đĩa nhỏ ngược chiều kim đồng hồ bằng cách sử dụng đầu dày của cờ lê ống lồng để nới lỏng dây đai đồng bộ.

► **Hình23:** 1. Nút khóa trực 2. Pu-li lớn 3. Đĩa nhỏ

5. Tháo dây đai.

6. Với các rãnh trên dây đai bên trong, gắn một đầu của dây đai vào pu-li nhỏ, sau đó gắn đầu kia của dây đai vào pu-li lớn.

► **Hình24:** 1. Dây đai 2. Pu-li lớn 3. Pu-li nhỏ

7. Nhấn nút khóa trực và giữ nó để khóa pu-li lớn, sau đó xoay đĩa nhỏ theo chiều kim đồng hồ bằng cách sử dụng đầu dày của cờ lê ống lồng để siết chặt dây đai.

► **Hình25:** 1. Nút khóa trực 2. Pu-li lớn

**LƯU Ý:** Đảm bảo đĩa nhỏ nằm ở vị trí như thể hiện trong hình.

► **Hình26:** 1. Đĩa nhỏ

8. Nhấn vào nút khóa trực và giữ nó để khóa pu-li lớn, và sau đó vận đai ốc theo chiều kim đồng hồ bằng cách sử dụng đầu mỏng của cờ lê ống lồng.

► **Hình27:** 1. Nút khóa trực

**LƯU Ý:** Khi siết chặt đai ốc, hãy đặt 19 - 21 N•m làm mô men xoắn siết chặt.

9. Gắn nắp, sau đó vận chặt các bu-lông đầu lỗ lục giác bằng đầu của cờ lê ống lồng.

► **Hình28:** 1. Cờ lê ống lồng 2. Bu-lông đầu lỗ lục giác 3. Nắp che

## XỬ LÝ SỰ CỐ

Trước khi yêu cầu sửa chữa, đầu tiên hãy tự tiến hành kiểm tra của riêng bạn. Nếu bạn phát hiện vấn đề nào đó không được giải thích trong sách hướng dẫn sử dụng này, đừng cố tháo dỡ dụng cụ. Thay vào đó, hãy nhờ Trung tâm dịch vụ Makita được ủy quyền, luôn sử dụng bộ phận thay thế của Makita để sửa chữa.

Tình trạng bất thường	Nguyên nhân tiềm tàng (sự cố hòng hóc)	Biện pháp khắc phục
Động cơ không chạy.	Hộp pin không được lắp vào.	Lắp hai hộp pin. Dụng cụ này không hoạt động với một hộp pin.
	Vấn đề pin (điện áp thấp)	Sạc lại pin. Nếu sạc pin lại không hiệu quả, thay thế hộp pin.
	Hệ thống truyền động không làm việc đúng cách.	Nhờ trung tâm bảo trì được ủy quyền ở địa phương sửa chữa.
Động cơ ngừng chạy sau khi ít sử dụng đến.	Mức sạc pin thấp.	Sạc lại pin. Nếu sạc pin lại không hiệu quả, thay thế hộp pin.
	Quá nhiệt.	Ngừng sử dụng dụng cụ để nó nguội dần.
Vòng quay đĩa mài không tăng tốc đúng cách ngay cả sau khi chạy dụng cụ mà không tải trong 20 giây.	Pin được lắp đúng cách.	Lắp hộp pin như mô tả trong sách hướng dẫn này.
	Nguồn pin bị tụt áp.	Sạc pin lại cho hộp pin. Nếu sạc pin lại không hiệu quả, thay thế hộp pin.
	Dây đai đồng bộ đang bị trượt.	Thay thế dây đai đồng bộ bằng dây đai mới.
	Hệ thống truyền động không làm việc đúng cách.	Nhờ trung tâm bảo trì được ủy quyền ở địa phương sửa chữa.
Đĩa mài không xoay: ⇒ ngừng máy ngay lập tức!	Dây đai đồng bộ đang bị trượt.	Thay thế dây đai đồng bộ bằng dây đai mới.
	Ngoại vật bị kẹt giữa phần bảo vệ và đĩa mài.	Tháo hộp pin và sau đó gỡ ngoại vật ra.
	Hệ thống truyền động không làm việc đúng cách.	Nhờ trung tâm bảo trì được ủy quyền ở địa phương sửa chữa.
Rung bất thường: ⇒ ngừng máy ngay lập tức!	Phụ tùng không thích hợp của đĩa mài.	Lắp đĩa mài theo chỉ dẫn trong sách hướng dẫn này. Vận chặt bu-lông để cố định đĩa mài chắc chắn.
	Hệ thống truyền động không làm việc đúng cách.	Nhờ trung tâm bảo trì được ủy quyền ở địa phương sửa chữa.
Dụng cụ cắt và động cơ không thể dừng lại: ⇒ Tháo hộp pin ngay lập tức!	Hư hỏng điện hoặc điện tử.	Tháo hộp pin và nhờ trung tâm bảo trì được ủy quyền ở địa phương sửa chữa.
Hiệu suất cắt kém	Là lúc để thay thế đĩa mài.	Thay thế đĩa mài bằng cái mới.
Nước rò rỉ từ đầu vào.	Nước bị rò rỉ từ phần vòng chữ O.	Nhờ trung tâm bảo trì được ủy quyền ở địa phương sửa chữa.

# PHỤ KIỆN TÙY CHỌN

**⚠ THẬN TRỌNG:** Các phụ kiện hoặc phụ tùng gắn thêm này được khuyến cáo sử dụng với dụng cụ Makita của bạn theo như quy định trong hướng dẫn này. Việc sử dụng bất cứ phụ kiện hoặc phụ tùng gắn thêm nào khác đều có thể gây ra rủi ro thương tích cho người. Chỉ sử dụng phụ kiện hoặc phụ tùng gắn thêm cho mục đích đã quy định sẵn của chúng.

Nếu bạn cần bất kỳ sự hỗ trợ nào để biết thêm chi tiết về các phụ tùng này, hãy hỏi Trung tâm Dịch vụ của Makita tại địa phương của bạn.

- Đĩa cắt nhám
- Đĩa mài kim cương
- Cài đặt chuông
- Dây đai đồng bộ
- Trụ ngoài khớp nối
- Cờ lê ống lồng
- Pin và bộ sạc chính hãng của Makita

**LƯU Ý:** Một số mục trong danh sách có thể được bao gồm trong gói dụng cụ làm phụ kiện tiêu chuẩn. Các mục này ở mỗi quốc gia có thể khác nhau.

## ข้อมูลจำเพาะ

รุ่น:	CE001G
เส้นผ่านศูนย์กลางล้อ	355 mm
ความหนาล้อสูงสุด	5.0 mm
ความลึกในการตัดสูงสุด	127 mm
อัตราความเร็ว	5,300 min <sup>-1</sup>
แรงดันไฟฟ้าสูงสุด	D.C. 72 V - 80 V สูงสุด
แรงดันการป้อนสูงสุดที่อนุญาต - น้ำ	5.0 bars
ความยาวโดยรวม	786 mm
น้ำหนักสุทธิ	12.3 - 12.9 kg
ระดับการป้องกัน	IPX4

- เนื่องจากการค้นคว้าวิจัยและพัฒนาอย่างต่อเนื่อง ข้อมูลจำเพาะในเอกสารฉบับนี้อาจเปลี่ยนแปลงได้โดยไม่ต้องแจ้งให้ทราบล่วงหน้า
- ข้อมูลจำเพาะอาจแตกต่างกันไปในแต่ละประเทศ
- น้ำหนักอาจแตกต่างกันไปตามอุปกรณ์เสริม รวมถึงตลับแบตเตอรี่ การติดอุปกรณ์เสริมที่เบาที่สุดและหนักที่สุดตามข้อบังคับของ EPTA 01/2014 มีแสดงอยู่ในตาราง

### ตลับแบตเตอรี่และเครื่องชาร์จที่ใช้ได้

ตลับแบตเตอรี่	BL4040 / BL4050F* * : แบตเตอรี่ที่แนะนำ
เครื่องชาร์จ	DC40RA / DC40RB / DC40RC

- ตลับแบตเตอรี่และเครื่องชาร์จบางรายการที่แสดงอยู่ด้านบนอาจไม่มีวางจำหน่ายขึ้นอยู่กับภูมิภาคที่คุณอาศัยอยู่

**⚠ คำเตือน:** ใช้ตลับแบตเตอรี่และเครื่องชาร์จที่ระบุไว้ข้างบนเท่านั้น การใช้ตลับแบตเตอรี่และเครื่องชาร์จประเภทอื่นอาจก่อให้เกิดความเสี่ยงที่จะได้รับบาดเจ็บและ/หรือเกิดไฟไหม้

## สัญลักษณ์

ต่อไปนี้เป็นสัญลักษณ์ที่อาจใช้สำหรับอุปกรณ์ โปรดศึกษาความหมายของสัญลักษณ์ให้เข้าใจก่อนการใช้งาน



อ่านคู่มือการใช้งาน



สวมแว่นตานิรภัย



NI-MH  
Li-ion

สำหรับประเทศในสหภาพยุโรปเท่านั้น เนื่องจากในอุปกรณ์มีส่วนประกอบอันตราย ชยะจำพวกอุปกรณ์ไฟฟ้า และอิเล็กทรอนิกส์ แบตเตอรี่ และหม้อแบตเตอรี่ซึ่งอาจส่งผลต่อสิ่งแวดล้อมและสุขภาพของมนุษย์ในเชิงลบ อย่างไรก็ตามการใช้ไฟฟ้าและอิเล็กทรอนิกส์ หรือแบตเตอรี่ร่วมกับวัสดุเหลือทิ้งในครัวเรือน!

เพื่อให้เป็นไปตามกฎระเบียบของยุโรปว่าด้วยขยะจำพวกอุปกรณ์ไฟฟ้าและอิเล็กทรอนิกส์ และหม้อสะสมไฟฟ้าและแบตเตอรี่ รวมถึงการบังคับใช้ตามกฎหมายภายในประเทศ ควรมีการจัดเก็บขยะจำพวกอุปกรณ์ไฟฟ้า แบตเตอรี่ และหม้อสะสมไฟฟ้าแยกต่างหากและส่งไปยังจุดรับขยะต่างหากในเขตเทศบาลซึ่งมีการดำเนินการตามระเบียบว่าด้วยการดูแลสิ่งแวดล้อม

โดยระบุด้วยสัญลักษณ์เส้นคาดขวางรูปถังขยะแบบมีล้อไว้บนอุปกรณ์

## จุดประสงค์การใช้งาน

เครื่องมือนี้ใช้สำหรับตัดวัสดุโลหะด้วยล้อตัดแบบขัด รวมถึงตัดวัสดุอิฐด้วยลูกกลิ้งเพชร

## คำเตือนด้านความปลอดภัย

### คำเตือนด้านความปลอดภัยของเครื่องมือไฟฟ้าทั่วไป

**⚠ คำเตือน:** โปรดอ่านคำเตือนด้านความปลอดภัย คำแนะนำ ภาพประกอบ และข้อมูลจำเพาะต่างๆ ที่ให้มา กับเครื่องมือไฟฟ้าน้อย่างละเอียด การไม่ปฏิบัติตามคำแนะนำดังต่อไปนี้ อาจส่งผลให้เกิดไฟฟ้าช็อต ไฟไหม้ และ/หรือได้รับบาดเจ็บอย่างร้ายแรงได้

### เก็บรักษาคำเตือนและคำแนะนำทั้งหมดไว้

#### เป็นข้อมูลอ้างอิงในขนาด

คำว่า “เครื่องมือไฟฟ้า” ในคำเตือนนี้หมายถึงเครื่องมือไฟฟ้า (มีสาย) ที่ทำงานโดยใช้กระแสไฟฟ้าหรือเครื่องมือไฟฟ้า (ไร้สาย) ที่ทำงานโดยใช้แบตเตอรี่

#### ความปลอดภัยของพื้นที่ทำงาน

1. ดูแลพื้นที่ทำงานให้มีความสะอาดและมีแสงไฟสว่าง พื้นที่รกระเกะระกะหรือมีดีที่บอานำไปสู่การเกิดอุบัติเหตุได้
2. อย่าใช้งานเครื่องมือไฟฟ้าในสภาพที่อาจเกิดการระเบิด เช่น ในสถานที่ที่มีของเหลว ก๊าซ หรือฝุ่นผงที่มีคุณสมบัติไวไฟ เครื่องมือไฟฟ้าอาจสร้างประกายไฟและจุดชนวนฝุ่นผงหรือก๊าซดังกล่าว
3. ดูแลไม่ให้มีเด็กหรือบุคคลอื่นอยู่ในบริเวณที่กำลังใช้เครื่องมือไฟฟ้า การมีสิ่งรบกวนสมาธิอาจทำให้คุณสูญเสียการควบคุม

#### ความปลอดภัยด้านไฟฟ้า

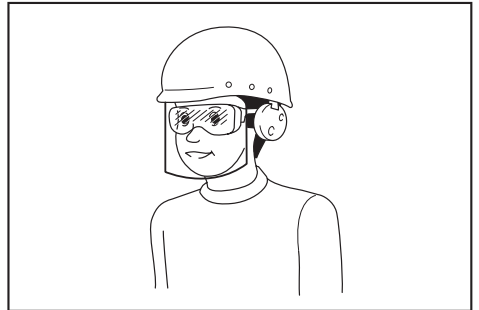
1. ปลั๊กของเครื่องมือไฟฟ้าต้องพอดีกับเต้ารับ อย่าดัดแปลงปลั๊กไม่ว่ากรณีใดๆ อย่าใช้ปลั๊กอะแดปเตอร์กับเครื่องมือไฟฟ้าที่ต่อสายดิน ปลั๊กที่ไม่ถูกดัดแปลงและเต้ารับที่เข้ากันพอดีจะช่วยลดความเสี่ยงของการเกิดไฟฟ้าช็อต
2. ระมัดระวังให้ร่างกายสัมผัสกับพื้นผิวที่ต่อสายดิน เช่น ท่อ เครื่องนำความร้อน เตาหุงต้ม และตู้เย็น มีความเสี่ยงที่จะเกิดไฟฟ้าช็อตสูงขึ้น หากร่างกายของคุณสัมผัสกับพื้น
3. อย่าให้เครื่องมือไฟฟ้าถูกน้ำหรืออยู่ในสภาพเปียกชื้น น้ำที่ไหลเข้าไปในเครื่องมือไฟฟ้าจะเพิ่มความเสี่ยงของการเกิดไฟฟ้าช็อต



- อย่าใช้สายไฟอย่างไม่เหมาะสม อย่าใช้สายไฟเพื่อ ยก ดึง หรือถอดปลั๊กเครื่องมือไฟฟ้า เก็บสายไฟให้ ห่างจากความร้อน น้ำมัน ของมีคม หรือชิ้นส่วนที่ เคลื่อนที่ สายที่ชำรุดหรือพันกันจะเพิ่มความเสี่ยงของ การเกิดไฟฟ้าช็อต
- ขณะที่ใช้งานเครื่องมือไฟฟ้านอกอาคาร ควรใช้สาย ต่อพ่วงที่เหมาะสมกับงานภายนอกอาคาร การใช้สาย ที่เหมาะสมกับงานภายนอกอาคารจะลดความเสี่ยง ของการเกิดไฟฟ้าช็อต
- หากต้องใช้งานเครื่องมือไฟฟ้าในสถานที่เปียกชื้น ให้ ใช้อุปกรณ์ป้องกันกระแสไฟรั่ว (RCD) การใช้ RCD จะลดความเสี่ยงของการเกิดไฟฟ้าช็อต
- เครื่องมือไฟฟ้าอาจสร้างสนามแม่เหล็ก (EMF) ที่ไม่ เป็นอันตรายต่อผู้ใช้ อย่างไรก็ตาม ผู้ใช้ที่ใส่เครื่อง กระตุ้นหัวใจและอุปกรณ์ทางการแพทย์ที่คล้ายกันนี้ ควรติดต่อผู้ผลิตอุปกรณ์และ/หรือแพทย์เพื่อรับคำ แนะนำก่อนใช้งานเครื่องมือไฟฟ้านี้
- แต่งกายให้เหมาะสม อย่าสวมเครื่องแต่งกายที่หลวม เกินไป หรือสวมเครื่องประดับ ดูแลไม่ให้เส้นผมและ เลือ่ผ้าอยู่ใกล้ชิ้นส่วนที่เคลื่อนที่ เลือ่ผ้ารุ่มร่าม เครื่อง ประดับ หรือผมที่มีความยาวอาจเข้าไปติดในชิ้นส่วนที่ เคลื่อนที่
- หากมีการจัดอุปกรณ์สำหรับดูดและจับฝุ่นไว้ใน สถานที่ ให้ตรวจสอบว่าได้เชื่อมต่อและใช้งานอุปกรณ์ นั้นอย่างเหมาะสม การใช้เครื่องดูดและจับฝุ่นจะ ช่วยลดอันตรายที่เกิดจากฝุ่นผงได้
- อย่าให้ความคุ้นเคยจากการใช้งานเครื่องมือเป็น ประจําทำให้คุณทำตัวตามสบายและละเลยหลักการ เพื่อความปลอดภัยในการใช้เครื่องมือ การกระทำที่ไม่ ระมัดระวังอาจทำให้เกิดการบาดเจ็บร้ายแรงภายใน เลี้ยววินาที
- สวมใส่แว่นครอบตานิรภัยเพื่อปกป้องดวงตาของคุณ จากการบาดเจ็บเมื่อใช้เครื่องมือไฟฟ้า แว่นครอบ ตาจะต้องได้มาตรฐาน ANSI Z87.1 ในสหรัฐอเมริกา, EN 166 ในยุโรป หรือ AS/NZS 1336 ในออสเตรเลีย/ นิวซีแลนด์ ในออสเตรเลีย/นิวซีแลนด์ จะต้องสวม กระจกป้องกันใบหน้าเพื่อปกป้องใบหน้าของคุณอย่าง ถูกต้องตามกฎหมายด้วย

#### ความปลอดภัยส่วนบุคคล

- ให้ระมัดระวังและมีสติอยู่เสมอขณะใช้งานเครื่องมือ ไฟฟ้า อย่าใช้งานเครื่องมือไฟฟ้าในขณะที่คุณกำลัง เหนื่อย หรือในสภาพที่มึนเมาจากยาเสพติด เครื่อง ดื่ม แอลกอฮอล์ หรือการใช้ยา ช่วงเวลาที่ขาดความ ระมัดระวังเมื่อกำลังใช้งานเครื่องมือไฟฟ้าอาจทำให้ได้ รับบาดเจ็บร้ายแรง
- ใช้อุปกรณ์ป้องกันส่วนบุคคล สวมแว่นตาป้องกันเสมอ อุปกรณ์ป้องกัน เช่น หน้ากากกันฝุ่น รองเท้านิรภัย กันลื่น หมวกนิรภัย หรือเครื่องป้องกันการได้ยินที่ใช้ ในสภาพที่เหมาะสมจะช่วยลดการบาดเจ็บ
- ป้องกันไม่ให้เกิดการเปิดใช้งานโดยไม่ตั้งใจ ตรวจสอบ ให้แน่ใจว่าสวิตช์ปิดอยู่ก่อนที่จะเชื่อมต่อกับแหล่งจ่าย ไฟ และ/หรือชุดแบตเตอรี่ รวมทั้งตรวจสอบก่อนการ ยกหรือเคลื่อนย้ายเครื่องมือ การถอดนิ้วมือบริเวณ สวิตช์เพื่อถืองมือไฟฟ้า หรือการชาร์จไฟเครื่อง มือไฟฟ้าในขณะที่เปิดสวิตช์อยู่อาจนำไปสู่การเกิด อุบัติเหตุ
- นำกฎฉบับปรับปรุงหรือประแจออกก่อนที่จะเปิดเครื่อง มือไฟฟ้า ประแจหรือกฎแจที่เสียบค้างอยู่ในชิ้นส่วนที่ หมุนได้ของเครื่องมือไฟฟ้าอาจทำให้ได้รับบาดเจ็บ
- อย่าทำงานในระยะที่สูดไอ้ม จัดท่ากรงยืนและการ ทรงตัวให้เหมาะสมตลอดเวลา เพราะจะทำให้ควบคุม เครื่องมือไฟฟ้าได้ดีขึ้นในสถานการณ์ที่ไม่คาดคิด



ผู้ว่าจ้างมีหน้าที่รับผิดชอบในการบังคับผู้ใช้งานเครื่องมือและบุคคลอื่นๆ ที่อยู่ในบริเวณที่ปฏิบัติงานให้ใช้อุปกรณ์ป้องกันที่เหมาะสม

#### การใช้และดูแลเครื่องมือไฟฟ้า

- อย่าฝืนใช้เครื่องมือไฟฟ้า ใช้เครื่องมือไฟฟ้าที่เหมาะสมกับการใช้งานของคุณ เครื่องมือไฟฟ้าที่เหมาะสม จะทำให้ได้งานที่มีประสิทธิภาพและปลอดภัยกว่าตามขีดความสามารถของเครื่องที่ได้รับการออกแบบมา
- อย่าใช้เครื่องมือไฟฟ้า หากสวิตช์ไม่สามารถเปิดปิดได้ เครื่องมือไฟฟ้าที่ควบคุมด้วยสวิตช์ไม่ได้เป็นสิ่ง อันตรายและต้องได้รับการซ่อมแซม

3. ถอดปลั๊กจากแหล่งจ่ายไฟ และ/หรือชุดแบตเตอรี่ ออกจากเครื่องมือไฟฟ้าก่อนทำการปรับตั้ง เปลี่ยน อุปกรณ์เสริม หรือจัดเก็บเครื่องมือไฟฟ้า วิธีการ ป้องกันด้านความปลอดภัยดังกล่าวจะช่วยลดความเสี่ยงในการเปิดใช้งานเครื่องมือไฟฟ้าโดยไม่ตั้งใจ
4. จัดเก็บเครื่องมือไฟฟ้าที่ไม่ได้ใช้งานให้ห่างจากมือเด็ก และอย่าอนุญาตให้บุคคลที่ไม่คุ้นเคยกับเครื่องมือไฟฟ้าหรือคำแนะนำเหล่านี้ใช้งานเครื่องมือไฟฟ้า เครื่องมือไฟฟ้าจะเป็นอันตรายเมื่ออยู่ในมือของผู้ที่ไม่ได้รับการฝึกอบรม
5. บำรุงรักษาเครื่องมือไฟฟ้าและอุปกรณ์เสริม ตรวจสอบการประกอบที่ไม่ถูกต้องหรือการเชื่อมต่อของ ชิ้นส่วนที่เคลื่อนที่ การแตกหักของชิ้นส่วน หรือ สภาพอื่น ๆ ที่อาจส่งผลกระทบต่อการทำงานของ เครื่องมือไฟฟ้า หากมีความเสียหาย ให้นำเครื่องมือ ไฟฟ้าไปซ่อมแซมก่อนการใช้งาน อุบัติเหตุจำนวนมากเกิดจากการดูแลรักษาเครื่องมือไฟฟ้าอย่างไม่ถูกต้อง
6. ทำความสะอาดเครื่องมือตัดและลับให้คมอยู่เสมอ เครื่องมือการตัดที่มีการดูแลอย่างถูกต้องและมีขอบ การตัดคมมักจะมีปัญหาติดขัดน้อยและควบคุมได้ง่ายกว่า
7. ใช้เครื่องมือไฟฟ้า อุปกรณ์เสริม และวัสดุสิ้นเปลือง ชลช ตามคำแนะนำดังกล่าว พิจารณาสภาพการทำงานและงานที่จะลงมือทำ การใช้เครื่องมือไฟฟ้า เพื่อทำงานอื่นนอกเหนือจากที่กำหนดไว้อาจทำให้เกิดอันตราย
8. ดูแลมือจับและบริเวณมือจับให้แห้ง สะอาด และไม่มี น้ำมันและจารบีเปื้อน มือจับและบริเวณมือจับที่ลื่น จะทำให้ไม่สามารถจับและควบคุมเครื่องมือได้อย่าง ปลอดภัยในสถานการณ์ที่ไม่คาดคิด
9. ขณะใช้งานเครื่องมือ อย่าสวมใส่ถุงมือผ้าที่อาจเข้าไป ติดในเครื่องมือได้ หากถุงมือผ้าเข้าไปติดในชิ้นส่วนที่ กำลังเคลื่อนที่อยู่อาจทำให้ได้รับบาดเจ็บ

#### การใช้งานและดูแลเครื่องมือที่ใช้แบตเตอรี่

1. ชาร์จไฟใหม่ด้วยเครื่องชาร์จที่ระบุโดยผู้ผลิตเท่านั้น เครื่องชาร์จที่เหมาะสมสำหรับชุดแบตเตอรี่ประเภทหนึ่ง อาจเสี่ยงที่จะเกิดไฟไหม้หากนำไปใช้กับชุดแบตเตอรี่ อีกประเภทหนึ่ง
2. ใช้เครื่องมือไฟฟ้ากับชุดแบตเตอรี่ที่กำหนดมาโดยเฉพาะเท่านั้น การใช้ชุดแบตเตอรี่ประเภทอื่นอาจ ทำให้เสี่ยงที่จะได้รับบาดเจ็บและเกิดไฟไหม้

3. เมื่อไม่ใช้งานชุดแบตเตอรี่ ให้เก็บห่างจากวัตถุที่เป็น โลหะอื่น ๆ เช่น คลิปหนีบกระดาษ เหรียญ กุญแจ การกรัดเล็บ สกรู หรือวัตถุที่เป็นโลหะขนาดเล็ก อื่น ๆ ที่สามารถเชื่อมต่อกับขั้วหนึ่งกับอีกขั้วหนึ่งได้ การ ลัดวงจรขั้วแบตเตอรี่อาจทำให้อันตรกิริยาเกิดไฟไหม้
4. ในกรณีที่ใช้งานไม่ถูกต้อง อาจมีของเหลวไหลออก จากแบตเตอรี่ ให้หลีกเลี่ยงการสัมผัส หากสัมผัส โดนของเหลวโดยไม่ตั้งใจ ให้ล้างออกด้วยน้ำ หาก ของเหลวกระเด็นเข้าตา ให้รีบไปพบแพทย์ ของเหลว ที่ไหลออกจากแบตเตอรี่อาจทำให้ผิวหนังระคายเคือง หรือไหม้
5. ห้ามใช้ชุดแบตเตอรี่หรือเครื่องมือที่ชาร์จหรือมีการ แก้ว แบตเตอรี่ที่เสียหายหรือมีการแก้ไขอาจทำให้เกิดสิ่งที่คาดไม่ถึงได้ เช่น ไฟไหม้ ระเบิด หรือเสี่ยง ต่อการบาดเจ็บ
6. ห้ามให้ชุดแบตเตอรี่อยู่ใกล้ไฟ หรือบริเวณที่มีอุณหภูมิ สูงเกิน หากโดนไฟ หรืออุณหภูมิสูงเกิน 130 °C อาจ ก่อให้เกิดการระเบิดได้
7. กรุณาปฏิบัติตามคำแนะนำสำหรับการชาร์จไฟ และ ห้ามชาร์จแบตเตอรี่หรือเครื่องมือในบริเวณที่มี อุณหภูมิ นอกเหนือไปจากที่ระบุในคำแนะนำ การชาร์จ ไฟที่ไม่เหมาะสม หรืออุณหภูมิ นอกเหนือไปจากช่วง อุณหภูมิที่ระบุในคำแนะนำอาจทำให้แบตเตอรี่เสียหาย และเป็น การเพิ่มความเสี่ยงในการเกิดไฟไหม้

#### การซ่อมบำรุง

1. นำเครื่องมือไฟฟ้าเข้ารับบริการจากช่างซ่อมที่ผ่าน การรับรองโดยใช้อะไหล่แบบเดียวกันเท่านั้น เพราะจะ ทำให้การใช้เครื่องมือไฟฟ้ามีความปลอดภัย
2. ห้ามใช้ชุดแบตเตอรี่ที่เสียหาย ชุดแบตเตอรี่ที่ใช้ควร เป็นชุดที่มาจากผู้ผลิต หรือผู้ให้บริการที่ได้รับอนุญาต เท่านั้น
3. ปฏิบัติตามคำแนะนำในการหล่อลื่นและการเปลี่ยน อุปกรณ์เสริม

#### คำเตือนด้านความปลอดภัยของเครื่องตัดไร้สาย

1. ที่ป้องกันที่หุ้มกับเครื่องมือจะต้องยึดไว้กับเครื่องมือ ไฟฟ้าอย่างแน่นหนาและวางไว้ในตำแหน่งที่มีความ ปลอดภัยสูงสุด เพื่อให้ส่วนล้อหันเข้าหาผู้ปฏิบัติงาน น้อยที่สุด ให้ตัวคุณเองและผู้ที่อยู่ข้างเคียงอยู่ห่างจาก บริเวณที่ล้อหมุน ที่ป้องกันจะช่วยป้องกันผู้ปฏิบัติงาน จากเศษล้อแตกและการสัมผัสกับล้อโดยไม่ตั้งใจ

2. ใช้ลูกล้อตัดเพชรเสริมหรือที่ติดกันกับเครื่องมือไฟฟ้าของคุณเท่านั้น การที่อุปกรณ์เสริมต่างๆ สามารถติดตั้งเข้ากับเครื่องมือไฟฟ้าของคุณได้นั้นไม่ได้เป็นการรับประกันว่าจะสามารถใช้งานร่วมกับอุปกรณ์ดังกล่าวได้อย่างปลอดภัย
3. อัตราความเร็วของอุปกรณ์เสริมนั้นอย่างน้อยต้องเท่ากับความเร็วสูงสุดที่ระบุไว้ในเครื่องมือไฟฟ้านี้ อุปกรณ์เสริมที่ทำงานด้วยความเร็วกว่าอัตราความเร็วของต้นอาจจะแตกหักหรือกระเด็นออกมาได้
4. ต้องใช้งานล้อในลักษณะการใช้งานที่แนะนำเท่านั้น ตัวอย่างเช่น อย่าขัดด้วยด้านข้างของลูกล้อตัด ลูกล้อตัดแบบขัดใช้เพื่อขัดรอบวง แร่งด้านข้างที่กระทำต่อลูกล้อเหล่านี้อาจทำให้ลูกล้อแตกและเฉียดได้
5. ใช้แต่แกนล้อที่ไม่เสียหายและมีเส้นผ่านศูนย์กลางตรงกับลูกล้อที่ใช้เท่านั้น แกนล้อที่ถูกต้องจะรองรับลูกล้อได้อย่างมีประสิทธิภาพจึงสามารถลดโอกาสในการเสียหายของลูกล้อได้
6. อย่าใช้ล้อเสริมที่สึกหรือจากเครื่องมือไฟฟ้าที่มีขนาดใหญ่กว่า ล้อที่ใช้สำหรับเครื่องมือไฟฟ้าที่มีขนาดใหญ่กว่าไม่เหมาะกับเครื่องมือขนาดเล็กที่มีความเร็วสูงกว่า และอาจจะระเบิดได้
7. เส้นผ่านศูนย์กลางภายนอกและความหนาของอุปกรณ์เสริมของคุณจะต้องอยู่ในอัตราความสามารถของเครื่องมือไฟฟ้าของคุณ อุปกรณ์เสริมที่มีขนาดไม่เหมาะสมจะไม่สามารถควบคุมหรือป้องกันได้อย่างมีประสิทธิภาพ
8. ขนาดแกนของลูกล้อและแกนต้องสามารถติดตั้งเข้ากับเพลลาของเครื่องมือไฟฟ้าได้แน่นพอดี ลูกล้อและแกนพร้อมด้วยช่องใส่แกนที่มีขนาดไม่พอดีที่จะติดตั้งอุปกรณ์ของเครื่องมือไฟฟ้าจะไม่สามารถทำงานได้อย่างสมดุล มีอาการสั่นมากเกินไป และอาจทำให้ไม่สามารถควบคุมได้
9. ห้ามใช้ลูกล้อที่เสียหาย ก่อนการใช้งานทุกครั้ง โปรดตรวจสอบร่องรอยความเสียหายของลูกล้อ หากลูกล้อหรือเครื่องมือไฟฟ้าตกลงพื้น ให้ตรวจสอบความเสียหายและติดตั้งลูกล้อที่ไม่มีความเสียหาย หลังจากการตรวจสอบและการติดตั้งลูกล้อ ให้ตัวคุณเองและผู้อยู่ใกล้เคียงอยู่ห่างจากบริเวณที่ลูกล้อหมุนและเปิดเครื่องมือไฟฟ้าที่ความเร็วหมุนเปล่าสูงสุดเป็นเวลาหนึ่งนาที โดยปกติแล้ว ล้อที่เสียหายจะแตกออกในระหว่างเวลาการทดสอบนี้
10. สวมอุปกรณ์ป้องกันส่วนบุคคล ขึ้นอยู่กับรูปแบบการใช้งานของคุณ ให้ใช้หน้ากาก หน้ากากนริภัยหรือแว่นนริภัย สวมหน้ากากป้องกันฝุ่น ที่ป้องกันเสียง ถุงมือและผ้ากันเปื้อนที่สามารถป้องกันการกระเด็นของชิ้นงานได้ตามความเหมาะสม อุปกรณ์ป้องกันดวงตาจะต้องสามารถป้องกันฝุ่นหรือสิ่งสกปรกที่กระเด็นจากการทำงานได้ หน้ากากป้องกันฝุ่นหรือที่ช่วยหายใจจะต้องสามารถกรองอนุภาคที่เกิดจากการทำงานของคุณได้ การฟังเสียงดังมาก เป็นเวลานาน อาจทำให้ระบบการได้ยินเสียหายได้
11. โปรดกันให้ผู้ไม่เกี่ยวข้องอยู่ห่างจากบริเวณที่ปฏิบัติงานในระยะปลอดภัย ผู้ที่เข้าพื้นที่ปฏิบัติงานจะต้องสวมอุปกรณ์ป้องกันส่วนบุคคล เช่น ชิ้นงานหรือลูกล้อที่แตกหักอาจจะกระเด็นและก่อให้เกิดอาการบาดเจ็บในสถานที่รอบๆ บริเวณปฏิบัติงานได้
12. ถือเครื่องมือไฟฟ้าบริเวณเมื่อจับที่เป็นคนวนเท่านั้น เมื่อทำงานที่เครื่องมือตัดอาจสัมผัสกับสายไฟที่ซ่อนอยู่ เครื่องมือตัดที่สัมผัสกับสายไฟที่ “มีกระแสไฟฟ้าไหลผ่าน” อาจทำให้ส่วนที่เป็นโลหะของเครื่องมือไฟฟ้าที่ไม่มีฉนวนหุ้ม “มีกระแสไฟฟ้าไหลผ่าน” และทำให้ผู้ปฏิบัติงานถูกไฟฟ้าช็อตได้
13. อย่าวางเครื่องมือไฟฟ้าลงจนกว่าจะหยุดหมุนสนิท ลูกล้อที่กำลังหมุนอาจจะกระทบกับพื้นผิวและทำให้เครื่องมือไฟฟ้าหลุดมือคุณได้
14. อย่าเปิดเครื่องมือไฟฟ้าเมื่อถือไว้ข้างตัวคุณ เนื่องจากการสัมผัสกับอุปกรณ์ที่กำลังหมุนโดยไม่ได้ตั้งใจนั้น อาจพันกับเสื้อผ้าของคุณและดึงอุปกรณ์เข้าสู่ร่างกายของคุณได้
15. โปรดทำความสะอาดระบบอากาศของเครื่องมือไฟฟ้าอย่างสม่ำเสมอ พัดลมของมอเตอร์จะดูดฝุ่นเข้าไปในตัวเครื่องและการมีผงโลหะในตัวเครื่องมากเกินไปอาจทำให้เกิดอันตรายจากกระแสไฟฟ้าได้
16. อย่าใช้เครื่องมือไฟฟ้าใกล้ๆ วัสดุที่ติดไฟได้ เนื่องจากประกายไฟอาจทำให้วัสดุดังกล่าวติดไฟ

คำเตือนเกี่ยวกับการติดกลับและสิ่งที่เกี่ยวข้อง การติดกลับคือปฏิกิริยาตอบสนองฉับพลันต่อลูกล้อที่กำลังหมุนแล้วสะดุดหรือติดขัด การสะดุดหรือการติดขัดจะทำให้ลูกล้อที่กำลังหมุนบักท้วงอย่างรวดเร็วซึ่งเป็นสาเหตุให้เครื่องมือไฟฟ้าที่ไม่สามารถควบคุมได้เกิดระส่ำถ่อนกลับไปยังทิศทางตรงข้ามกับการหมุน

ตัวอย่างเช่น หากลูกล้อขัดนั้นสะดุดหรือติดขัดกับชิ้นงาน ขอบของลูกล้อที่เข้าไปยังจุดติดขัดจะเจาะเข้าไปยังพื้นผิวของวัสดุและทำให้ลูกล้อติดตัวขึ้นมา ลูกล้อดังกล่าวอาจจะกระเด็นเข้าหาหรือออกห่างตัวผู้ปฏิบัติงาน ทั้งนี้ขึ้นอยู่กับทิศทางการหมุนของลูกล้อเมื่อเกิดการสะดุด ในกรณีดังกล่าว ลูกล้อขัดอาจจะแตกหักได้ด้วย การติดกลับเป็นผลมาจากการใช้เครื่องมือไฟฟ้าผิดจุดประสงค์ และ/หรือ การใช้ผิดวิธี และสามารถป้องกันได้โดยใช้วิธีการป้องกันดังต่อไปนี้

1. จับตามจับเครื่องมือไฟฟ้าให้แน่นและจัดตำแหน่งร่างกายและแขนให้สามารถต้านทานแรงติดกลับได้ ใช้มือจับเสริมเสมอ ถ้ามี เพื่อให้สามารถควบคุมการติดกลับหรือการสะท้อนของแรงบิดในระหว่างการเริ่มทำงานได้อย่างมีประสิทธิภาพ ผู้ปฏิบัติงานจะสามารถควบคุมและสะท้อนของแรงบิดหรือแรงบิดกลับได้หากดำเนินการป้องกันอย่างเหมาะสม
2. อย่าเอามือไว้ใกล้อุปกรณ์หมุน อุปกรณ์ดังกล่าวอาจติดกลับใส่มือคุณได้
3. อย่าให้ร่างกายของคุณอยู่ในระดับเดียวกับลูกล้อที่กำลังหมุน การติดกลับจะทำให้เครื่องมือสะบัดไปยังทิศทางตรงกันข้ามของการเคลื่อนไหวของลูกล้อเมื่อเกิดการสะดุด
4. ใช้ความระมัดระวังเป็นพิเศษเพื่อปฏิบัติงานกับมุมขอบที่มีความแหลมคม ฯลฯ หลีกเลี่ยงการกระแทกและการขีดข่วนของอุปกรณ์ มุม ขอบที่มีความแหลมคม หรือการกระแทกนั้นอาจทำให้เกิดการสะดุดของอุปกรณ์หมุนและทำให้เสียการควบคุมหรือการติดกลับได้
5. อย่าติดตั้งใบมีดเลื่อนแบบโซ่ ใบเลื่อยแบบขี้ ลูกล้อเพชรมีร่องโดยช่องว่างรอบวงกว้างกว่า 10 mm หรือใบเลื่อยที่มีฟัน ใบมีดแบบดังกล่าวมักจะทำให้เกิดการติดกลับและสูญเสียการควบคุม
6. อย่าทำให้ลูกล้อ “ติด” หรือใช้แรงดันมากเกินไป อย่าพยายามทำความสะอาดในการติดมากเกินไป การกดดันลูกล้อมากเกินไปจะเป็นการเพิ่มการไหลและความไวที่ลูกล้อจะเกิดการบิดหรือการติดขัดระหว่างการตัด และความเป็นไปได้ในการติดกลับหรือลูกล้อแตก
7. เมื่อกำลังตัดหรือรบกวนการตัดด้วยเหตุใดๆ ก็ตาม ให้ปิดเครื่องมือไฟฟ้าและถือเครื่องมือไฟฟ้าค้างไว้เฉยๆ จนกว่าลูกล้อจะหยุดสนิท ห้ามพยายามถอดลูกล้อออกจากรอยตัดขณะที่ลูกล้อยังเคลื่อนไหวยังมีอันตรายจากการติดกลับได้ ตรวจสอบและแก้ไขเพื่อกำจัดสาเหตุที่ทำให้ลูกล้อติดขัด

8. อย่าเริ่มการตัดชิ้นใหม่โดยที่เครื่องมือคಾಯอยู่ในชิ้นงาน ให้ลูกล้อทำความเร็วสูงสุดแล้วจึงสอดเข้าไปในรอยตัดอีกครั้งอย่างระมัดระวัง ลูกล้ออาจติดขัด เด้งหรือติดกลับได้หากเริ่มใช้เครื่องมือไฟฟ้าระหว่างที่ยังคಾಯอยู่ในชิ้นงาน
9. รองรับแผ่นหรือชิ้นงานขนาดใหญ่ต่างๆ เพื่อลดความเสี่ยงในการที่ลูกล้อจะบีบแน่นและติดกลับ ชิ้นงานที่มีขนาดใหญ่มีแนวโน้มที่จะแอ่นลงเนื่องจากน้ำหนักของแผ่นเอง ตรวจสอบที่รองรับไว้ได้ชิ้นงานให้ใกล้กับขอบของชิ้นงานทั้งสองด้านของล้อย
10. ใช้ความระมัดระวังเป็นพิเศษขณะที่การ “ตัดผ่าน” กำแพงที่มีอยู่แล้วหรือพื้นที่มุมอับอื่นๆ ล้อที่ยื่นออกมาอาจตัดต่อที่ขาหรือท่อน้ำ สายไฟฟ้าหรือสิ่งของอื่นๆ ที่อาจทำให้เกิดการติดกลับได้

#### คำเตือนด้านความปลอดภัยเพิ่มเติม:

1. ก่อนใช้ลูกล้อเพชรมีร่อง ตรวจสอบให้แน่ใจว่าลูกล้อเพชรมีช่องว่างรอบวงระหว่างร่องแต่ละร่องไม่เกิน 10 mm สำหรับมุมเอียงเชิงลบเท่านั้น
2. อย่าพยายามตัดด้วยเครื่องมือโดยใช้ที่จับหรือสิ่งอื่นๆ จับเครื่องมือหงายขึ้น การกระทำนี้อาจทำให้เกิดอุบัติเหตุร้ายแรง เนื่องจากเป็นสิ่งที่อันตรายอย่างมาก
3. วัสดุบางอย่างอาจมีสารเคมีที่เป็นพิษ ระวังอย่าสูดดมฝุ่นหรือสัมผัสกับผิวหนัง ปฏิบัติตามข้อมูลด้านความปลอดภัยของผู้ผลิตวัสดุ
4. เก็บลูกล้อไว้ตามคำแนะนำของผู้ผลิต การเก็บรักษาที่ไม่เหมาะสมอาจทำให้ลูกล้อเสียหาย
5. ใช้ล้อยที่เหมาะสมกับงานของคุณและวัสดุที่ต้องการตัด
6. ตรวจสอบวัสดุที่ต้องการตัดก่อนทำการตัด หากวัสดุประกอบด้วยสารระเบิดหรือไวไฟ อาจก่อให้เกิดการระเบิดหรือไฟไหม้ได้
7. อย่าเปิดเครื่องมือหากมีวัตถุแปลกปลอมติดขัดอยู่ระหว่างที่ป้องกันและล้อย ในกรณีนี้ ให้ถอดด้ามเบตเตอร์และกำจัดวัตถุแปลกปลอมออกก่อน
8. ใช้ที่หนีบหรืออุปกรณ์ที่คล้ายกันรองรับชิ้นงานเสมอ
9. สวมอุปกรณ์ป้องกันเสียงระหว่างการทำงานเสมอ
10. อย่าตัดวัสดุไม่ด้วยเครื่องมือนี้
11. เส้นผ่านศูนย์กลางภายนอกและความหนาของล้อยจะต้องอยู่ในอัตราความสามารถของเครื่องมือของคุณ ล้อยที่มีขนาดไม่ถูกต้องอาจไม่ได้รับการปกป้องหรือควบคุมอย่างเพียงพอ
12. เมื่อใช้งานเครื่องมือ ให้จับตามจับบนเครื่องมือด้วยมือทั้งสองข้างให้แน่น และจัดตำแหน่งของร่างกายและแขนของคุณให้สามารถทนต่อแรงติดกลับของเครื่องมือได้

13. ดูแลให้มีมือหรือใบหน้าของคุณอยู่ห่างจากล้อที่กำลังหมุนอยู่
14. ปรับฝาครอบล้อให้อยู่ในตำแหน่งที่เหมาะสมกับงานของคุณ
15. เมื่อคุณใช้เครื่องมือบนพื้นที่เป็นโคลน ทางลาดที่เปียก หรือสถานที่ที่ลื่น ให้ระมัดระวังของคุณ
16. อย่าจุ่มเครื่องมือลงไปในแอ่งน้ำ
17. อย่าวางเครื่องมือทิ้งไว้บนอาคารกลางฝน
18. อย่าเปลี่ยนแบตเตอรี่กลางฝน
19. เมื่อจัดเก็บเครื่องมือ ให้หลีกเลี่ยงแสงแดดโดยตรงและฝน และจัดเก็บเครื่องมือไว้ในที่ที่จะไม่เกิดความร้อนหรือความชื้น
6. ห้ามเก็บและใช้เครื่องมือและดัดแปลงแบตเตอรี่ไว้ในสถานที่ที่มีอุณหภูมิสูงถึงหรือเกิน 50 °C (122 °F)
7. ห้ามเผาตลับแบตเตอรี่ทิ้ง แม้ว่าแบตเตอรี่จะเสียหายจนใช้การไม่ได้หรือเสื่อมสภาพแล้ว ตลับแบตเตอรี่อาจจะระเบิดในกองไฟ
8. อย่าถอดตะปู ตัด บด ขวาง หรือทำตลับแบตเตอรี่หล่นพื้น หรือกระแทกตลับแบตเตอรี่กับวัตถุของแข็ง การกระทำดังกล่าวอาจส่งผลให้เกิดไฟไหม้ ความร้อนที่สูงเกินไป หรือระเบิดได้
9. ห้ามใช้แบตเตอรี่ที่เสียหาย
10. แบตเตอรี่ลิเทียมไอออนที่มีมาให้จำเป็นต้องปฏิบัติตามข้อกำหนดของ Dangerous Goods Legislation สำหรับการขนส่งเพื่อการพาณิชย์ เช่น โดยบุคคลที่สาม ตัวแทนขนส่งสินค้า จะต้องตรวจสอบข้อกำหนดพิเศษในด้านการบรรจุหีบห่อหรือการติดป้ายสินค้าในการเตรียมสินค้าที่จะขนส่ง ให้ปรึกษาผู้เชี่ยวชาญด้านวัตถุอันตราย โปรดตรวจสอบข้อกำหนดในประเทศที่อาจมีรายละเอียดอื่น ๆ เพิ่มเติม ให้ติดเทปหรือปิดหน้าสัมผัสและห่อแบตเตอรี่ในลักษณะที่แบตเตอรี่จะไม่เคลื่อนที่ไปมาในหีบห่อ

## ปฏิบัติตามคำแนะนำเหล่านี้

**คำเตือน:** อย่าให้ความไม่ระมัดระวังหรือความคุ้นเคยกับผลิตภัณฑ์ (จากการใช้งานซ้ำหลายครั้ง) อยู่เหนือการปฏิบัติตามกฎเกณฑ์ด้านความปลอดภัยในการใช้งานผลิตภัณฑ์อย่างเคร่งครัด การใช้งานอย่างไม่เหมาะสมหรือการไม่ปฏิบัติตามกฎเกณฑ์ด้านความปลอดภัยในคู่มือการใช้งานนี้อาจทำให้ได้รับบาดเจ็บร้ายแรง

## คำแนะนำเพื่อความปลอดภัยที่สำคัญสำหรับตลับแบตเตอรี่

1. ก่อนใช้งานตลับแบตเตอรี่ให้อ่านคำแนะนำและเครื่องหมายเตือนทั้งหมดบน (1) เครื่องชาร์จแบตเตอรี่ (2) แบตเตอรี่ และ (3) ตัวผลิตภัณฑ์ที่ใช้แบตเตอรี่
2. อย่าถอดแยกชิ้นส่วนหรือทำการดัดแปลงตลับแบตเตอรี่ เนื่องจากอาจทำให้เกิดไฟไหม้ ความร้อนที่สูงเกินไป หรือระเบิดได้
3. หากระยะเวลาที่เครื่องทำงานสั้นเกินไป ให้หยุดใช้งานทันที เนื่องจากอาจมีความเสี่ยงที่จะร้อนจัดไหม้หรือระเบิดได้
4. หากสารละลายอิเล็กโทรไลต์กระเด็นเข้าตา ให้ล้างออกด้วยน้ำเปล่าและรีบไปพบแพทย์ทันที เนื่องจากอาจทำให้ตาบอด
5. ห้ามลัดวงจรตลับแบตเตอรี่:
  - (1) ห้ามแตะขั้วกับวัตถุที่เป็นสื่อไฟฟ้าใดๆ
  - (2) หลีกเลี่ยงการเก็บตลับแบตเตอรี่ไว้ในภาชนะร่วมกับวัตถุที่เป็นโลหะ เช่น กรรไกรตัดเล็บ เหรียญ ฯลฯ
  - (3) อย่าให้ตลับแบตเตอรี่ถูกน้ำหรือฝน แบตเตอรี่ลัดวงจรอาจทำให้เกิดการไหลของกระแสไฟฟ้า ร้อนจัดไหม้หรือเสียหายได้
11. เมื่อกำจัดตลับแบตเตอรี่ ให้ถอดตลับแบตเตอรี่ออกจากเครื่องมือและกำจัดในสถานที่ที่ปลอดภัย ปฏิบัติตามข้อบังคับในท้องถิ่นที่เกี่ยวข้องกับการกำจัดแบตเตอรี่
12. ใช้แบตเตอรี่กับผลิตภัณฑ์ที่ระบุโดย Makita เท่านั้น การติดตั้งแบตเตอรี่ในผลิตภัณฑ์ที่ไม่ใช่ตามที่ระบุอาจทำให้เกิดไฟไหม้ ความร้อนสูง ระเบิด หรืออิเล็กทรอนิกส์ตัวรับไหลได้
13. หากไม่ใช่เครื่องมือเป็นระยะเวลานาน จะต้องถอดแบตเตอรี่ออกจากเครื่องมือ
14. ในระหว่างและหลังการใช้งาน ตลับแบตเตอรี่อาจร้อนซึ่งอาจลวกผิวหรือทำให้ผิวไหม้ที่อุณหภูมิต่ำได้ โปรดระมัดระวังในการจัดการกับแบตเตอรี่ที่ร้อน
15. อย่าสัมผัสขั้วของเครื่องมือทันทีหลังจากการใช้งาน เนื่องจากอาจมีความร้อนพอที่จะทำให้ผิวไหม้ได้
16. อย่าปล่อยให้เศษวัสดุ ฝุ่นผง หรือดินเข้าไปติดอยู่ในขั้ว รู และร่องของตลับแบตเตอรี่ เนื่องจากอาจทำให้เกิดความร้อน ไฟไหม้ ระเบิด และทำให้เครื่องมือหรือตลับแบตเตอรี่ทำงานผิดปกติ ส่งผลให้โดนลวกหรือเกิดการบาดเจ็บได้
17. หากเครื่องมือไม่รองรับสายไฟแรงดันสูง อย่าใช้ตลับแบตเตอรี่ใกล้กับสายไฟแรงดันสูง เนื่องจากเครื่องมือหรือตลับแบตเตอรี่อาจทำงานผิดปกติหรือเสียหายได้
18. เก็บแบตเตอรี่ให้ห่างจากเด็ก

## ปฏิบัติตามคำแนะนำเหล่านี้

**⚠ ข้อควรระวัง:** ใช้แบตเตอรี่ของแท้จาก Makita เท่านั้น การใช้แบตเตอรี่ Makita ที่ไม่แท้ หรือแบตเตอรี่ที่ถูกเปลี่ยน อาจทำให้แบตเตอรี่ระเบิด ก่อให้เกิดเพลิงลุกไหม้ การบาดเจ็บ และความเสียหายได้ และจะทำให้การรับประกันของ Makita สำหรับเครื่องมือและแท่นชาร์จของ Makita เป็นโมฆะด้วย

## เคล็ดลับในการรักษาอายุการใช้งานของ

### แบตเตอรี่ให้ยาวนานที่สุด

1. ชาร์จตัวแบตเตอรี่ก่อนที่ไฟจะหมด หยุดการใช้งานแล้วชาร์จประจุไฟฟ้าใหม่ทุกครั้งเมื่อคุณรู้สึกว่าคุณปรารถนามีกำลังลดลง

2. อย่าชาร์จตัวแบตเตอรี่ที่มีไฟเต็มแล้ว การชาร์จประจุไฟฟ้ามากเกินไปอาจจะทำให้อายุการใช้งานของตัวแบตเตอรี่สั้นลง
3. ชาร์จประจุไฟฟ้าตัวแบตเตอรี่ในห้องที่มีอุณหภูมิระหว่าง 10 °C - 40 °C ปล่อยให้ตัวแบตเตอรี่เย็นลงก่อนที่จะชาร์จไฟ
4. เมื่อไม่ใช้ตัวแบตเตอรี่ ให้ถอดออกจากเครื่องมือหรือเครื่องชาร์จ
5. ชาร์จไฟตัวแบตเตอรี่หากคุณไม่ต้องการใช้เป็นเวลานาน (เกินกว่าหกเดือน)

## คำอธิบายชิ้นส่วนต่างๆ

### ▶ หมายเลข 1

1	ล๊อคตัดแบบขัด/ลูกล๊อคเพชร	2	ที่ป้องกันล๊อค	3	ตามจับฝาครอบล๊อค	4	ตามจับด้านหน้า
5	ดวงไฟ	6	ตัวแบตเตอรี่	7	ปุ่มปลดล๊อค	8	ล้อเลื่อน
9	ปุ่มล๊อคก้าน	10	ฝาครอบ (สำหรับสายพานรูปตัววี)	11	ก๊อก	12	ช่องน้ำเข้า
13	มือจับ	14	สวิตช์สั่งงาน	15	ปุ่มดวงไฟ	16	ไฟแสดงสถานะการทำงานหนักเกินไป
17	ปลอกพวง	18	ประแจแหวน	-	-	-	-

## คำอธิบายการทำงาน

**⚠ ข้อควรระวัง:** ตรวจสอบให้แน่ใจว่าได้ปิดสวิตช์เครื่องมือและถอดตัวแบตเตอรี่ออกก่อนปรับตั้งหรือตรวจสอบการทำงานของเครื่องมือ

### การใส่หรือการถอดตัวแบตเตอรี่

**⚠ ข้อควรระวัง:** ปิดสวิตช์เครื่องมือก่อนทำการติดตั้งหรือการถอดตัวแบตเตอรี่ทุกครั้ง

**⚠ ข้อควรระวัง:** ถือเครื่องมือและตัวแบตเตอรี่ให้แน่นในระหว่างการติดตั้งหรือการถอดตัวแบตเตอรี่ หากไม่ถือเครื่องมือและตัวแบตเตอรี่ให้แน่น อาจทำให้ตัวแบตเตอรี่และเครื่องมือลื่นหลุดมือ และทำให้เครื่องมือและตัวแบตเตอรี่เสียหายหรือได้รับบาดเจ็บได้

การติดตั้งตัวแบตเตอรี่ ให้จัดตำแหน่งลิ้นของตัวแบตเตอรี่ให้ตรงกับร่องของเครื่อง แล้วเลื่อนเข้าที่ ใส่ตัวแบตเตอรี่เข้าจนสุดจนกระทั่งได้ยินเสียงคลิกล๊อคเข้าที่ หากยังเห็นซีลสีแดงที่ด้านบนของปุ่ม แสดงว่าตัวแบตเตอรี่ยังไม่ล๊อคเข้าที่

▶ หมายเลข 2: 1. ซีลสีแดง 2. ปุ่ม 3. ตัวแบตเตอรี่

การถอดตัวแบตเตอรี่ ให้ยกตัวแบตเตอรี่ในขณะที่กดปุ่มที่อยู่ด้านบนของตัวแบตเตอรี่

**⚠ ข้อควรระวัง:** ให้ดันตัวแบตเตอรี่เข้าจนสุดจนไม่เห็นส่วนสีแดงอีก ไม่เช่นนั้น ตัวแบตเตอรี่อาจหลุดออกจากเครื่องมือทำให้คุณหรือคนรอบข้างได้รับบาดเจ็บ
















**⚠ ข้อควรระวัง:** อย่าฝืนติดตั้งตัวแบตเตอรี่โดยใช้แรงมากเกินไป หากตัวแบตเตอรี่ไม่เลื่อนเข้าไปโดยง่าย แสดงว่าใส่ไม่ถูกต้อง

หมายเหตุ: เครื่องมือจะไม่ทำงานเมื่อใช้ตลับแบตเตอรี่เพียงก้อนเดียว

### การระบุระดับพลังงานแบตเตอรี่ที่เหลืออยู่

กดปุ่ม ตรวจสอบ บนตลับแบตเตอรี่เพื่อดูปริมาณแบตเตอรี่ที่เหลือ ไฟแสดงสถานะจะสว่างขึ้นเป็นเวลาสองสามวินาที

► **หมายเลข 3:** 1. ไฟแสดงสถานะ 2. ปุ่มตรวจสอบ

ไฟแสดงสถานะ			แบตเตอรี่ที่เหลือ
			
			75% ถึง 100%
			50% ถึง 75%
			25% ถึง 50%
			0% ถึง 25%
			ชาร์จไฟแบตเตอรี่
 ↑ ↓ 			แบตเตอรี่อาจจะเสีย

หมายเหตุ: ขึ้นอยู่กับสภาพการใช้งานและอุณหภูมิโดยรอบ การแสดงสถานะอาจจะแตกต่างจากปริมาณแบตเตอรี่จริงเล็กน้อย

หมายเหตุ: ไฟแสดงสถานะดวงแรก (ซ้ายสุด) จะกะพริบเมื่อระบบป้องกันแบตเตอรี่ทำงาน

### ระบบป้องกันเครื่องมือ/แบตเตอรี่

เครื่องมือมีระบบป้องกันเครื่องมือ/แบตเตอรี่ ระบบนี้จะตัดไฟที่ส่งไปยังมอเตอร์โดยอัตโนมัติเพื่อยืดอายุการใช้งานเครื่องมือและแบตเตอรี่ เครื่องมือจะหยุดทำงานระหว่างการใช้งานโดยอัตโนมัติ หากเครื่องมือหรือแบตเตอรี่อยู่ภายใต้สถานการณ์ต่อไปนี้ ในบางกรณี ไฟแสดงสถานะจะติดขึ้น

### การป้องกันโอเวอร์โหลด

เมื่อเครื่องมือ/แบตเตอรี่ทำงานในลักษณะที่ทำให้ต้องใช้กระแสไฟฟ้าสูงเกินไป เครื่องมือจะหยุดโดยอัตโนมัติ ในกรณีนี้ ให้ปิดเครื่องมือและหยุดการใช้งานที่อาจทำให้เครื่องมือทำงานหนักเกินไป แล้วเปิดเครื่องมือเพื่อเริ่มการทำงานอีกครั้ง

### การป้องกันความร้อนสูงเกิน

เมื่อเครื่องมือ/แบตเตอรี่เกิดความร้อนสูงเกินไป เครื่องมือจะหยุดอัตโนมัติและดวงไฟจะกะพริบ ในกรณีนี้ ให้ปล่อยให้เครื่องมือให้เย็นลงก่อนแล้วเปิดเครื่องมืออีกครั้ง

### การป้องกันไฟหมด

เมื่อความจุแบตเตอรี่เหลือน้อย เครื่องมือจะหยุดโดยอัตโนมัติ และไฟแสดงสถานะของตลับแบตเตอรี่จะกะพริบ หากเครื่องมือไม่ทำงานแม้ว่าจะเปิดสวิตช์แล้ว ให้ถอดแบตเตอรี่ออกจากเครื่องมือและชาร์จแบตเตอรี่

### การป้องกันจากสาเหตุอื่นๆ

ระบบป้องกันได้รับการออกแบบมาเพื่อสาเหตุอื่นๆ ที่อาจสร้างความเสียหายต่อเครื่องมือและทำให้เครื่องมือหยุดทำงานโดยอัตโนมัติ ดำเนินการตามขั้นตอนดังต่อไปนี้ทุกขั้นตอนเพื่อกำจัดสาเหตุออกไป เมื่อเครื่องมือหยุดทำงานชั่วคราวหรือหยุดทำงาน

1. ปิดเครื่องมือ แล้วเปิดใหม่เพื่อเริ่มใช้งานอีกครั้ง
2. ชาร์จหรือเปลี่ยนแบตเตอรี่โดยนำแบตเตอรี่ที่ชาร์จแล้วมาใช้แทน
3. ทิ้งให้เครื่องจักรและแบตเตอรี่เย็นลง

หากอาการไม่ดีขึ้นเมื่อเปิดระบบป้องกันอีกครั้ง ให้ติดต่อศูนย์บริการ Makita ใกล้บ้านคุณ

**ข้อสังเกต:** หากเครื่องมือหยุดทำงานเนื่องจากสาเหตุที่ไม่ได้อธิบายไว้ข้างต้น โปรดดูส่วนการแก้ไขปัญหา

### การแจ้งเตือนเครื่องทำงานหนักเกินไป

หากเครื่องมือทำงานหนักเกินไป ไฟแสดงสถานะการทำงานหนักเกินไปจะกะพริบเป็นสีแดง ในกรณีนี้ ให้ลดโหลดบนเครื่องมือ จากนั้น ไฟแสดงสถานะจะหยุดกะพริบ

- **หมายเลข 4:** 1. ไฟแสดงสถานะการทำงานหนักเกินไป

## การทำงานของสวิตช์

**คำเตือน:** ก่อนใส่สวิตช์แบตเตอรี่ลงในเครื่องมือ ให้ตรวจสอบว่าสวิตช์สั่งงานสามารถทำงานได้อย่างถูกต้อง และกลับไปยังตำแหน่ง “ปิด” เมื่อปล่อย

**คำเตือน:** ห้ามทำลายนูนปุ่มปลดล็อกโดยใช้แป้นหรือวิธีอื่น การที่สวิตช์ที่ปุ่มปลดล็อกใช้ไม่ได้ อาจทำให้เกิดการใช้งานโดยไม่ตั้งใจและทำให้เกิดการบาดเจ็บร้ายแรงได้

**คำเตือน:** ห้ามใช้เครื่องมือหากเครื่องมือสามารถทำงานได้เมื่อคุณดึงสวิตช์สั่งงานโดยไม่ได้กดปุ่มปลดล็อก สวิตช์ที่ต้องทำการซ่อมแซมอาจทำให้เกิดการใช้งานโดยไม่ตั้งใจและทำให้เกิดการบาดเจ็บร้ายแรงได้ นำเครื่องมือส่งศูนย์บริการ Makita เพื่อรับการซ่อมแซมก่อนการใช้งาน

เพื่อป้องกันไม่ให้สวิตช์สั่งงานถูกดึงโดยไม่ตั้งใจจึงมีปุ่มปลดล็อกติดตั้งไว้ เพื่อเริ่มใช้งานเครื่องมือ กดปุ่มปลดล็อกแล้วดึงสวิตช์สั่งงาน ปล่อยสวิตช์สั่งงานเพื่อหยุดการทำงาน

► **หมายเลข 5:** 1. สวิตช์สั่งงาน 2. ปุ่มปลดล็อก

**ข้อสังเกต:** อย่าวางสวิตช์สั่งงานแรงๆ โดยไม่ได้กดปุ่มปลดล็อก การทำเช่นนี้อาจทำให้สวิตช์เสียหายได้

## การเปิดไฟ

**คำเตือน:** อย่านมองเข้าไปในดวงไฟหรือจ้องดูแหล่งกำเนิดแสงโดยตรง

การเปิดไฟ ให้กดปุ่มดวงไฟ เมื่อต้องการปิด ให้กดปุ่มดวงไฟอีกครั้ง

► **หมายเลข 6:** 1. ปุ่มดวงไฟ 2. ดวงไฟ

**หมายเหตุ:** ดวงไฟจะดับลงโดยอัตโนมัติเมื่อไม่มีการใช้งานเครื่องมือเป็นเวลาหนึ่งนาที

## การปรับฝาครอบล้อ

จับตามจับฝาครอบล้อและปรับตำแหน่งของฝาครอบล้อให้เหมาะสมกับงานของคุณ

► **หมายเลข 7:** 1. ตามจับฝาครอบล้อ

## เทคโนโลยีป้องกันการป้อนกลับอัตโนมัติ

เครื่องมือจะตรวจจับกรณีที่มีล้ออาจเสี่ยงที่จะติดกลับด้วยระบบไฟฟ้า ในกรณีนี้ เครื่องมือจะปิดอย่างอัตโนมัติเพื่อป้องกันไม่ให้เห็นหมุนทำงานต่อไป (ไม่ได้ป้องกันการติดกลับ)

เมื่อต้องการให้เครื่องมือเริ่มทำงานใหม่ ชั้นแรกให้ปิดเครื่องมือก่อน กำจัดสาเหตุที่ทำให้ความเร็วในการหมุนตกลงกะทันหัน แล้วจึงเปิดเครื่องมือ

## เบรกไฟฟ้า

เบรกไฟฟ้าจะทำงานหลังจากปิดเครื่องมือแล้ว เบรกจะไม่ทำงานเมื่อแหล่งจ่ายไฟปิด เช่นแบตเตอรี่ถูกถอดโดยไม่ตั้งใจโดยที่สวิตช์ยังเปิดอยู่

## การประกอบ

**คำเตือน:** ตรวจสอบให้แน่ใจว่าได้ปิดสวิตช์เครื่องมือและถอดสวิตช์แบตเตอรี่ออกก่อนดำเนินการใดๆ กับเครื่องมือ

## การติดตั้งล้อตัดแบบซัด/ลูกล้อเพชร

**คำเตือน:** ใช้เฉพาะประแจของ Makita ที่มีมาให้เพื่อใส่หรือถอดลูกล้อ

**คำเตือน:** ขณะติดตั้งล้อ ตรวจสอบให้แน่ใจว่าได้ขันสลักเกลียวแน่นดีแล้ว

**คำเตือน:** อย่าวัดปุ่มล็อกก้านขณะที่ยังล้อกำลังหมุน

การถอดล้อ ให้กดปุ่มล็อกก้านและหมุนล้อจนกว่าล้อจะสามารถขยับได้อีก ขณะที่ยังล็อกก้านล็อกแน่นดีแล้ว ให้ขันสลักเกลียวหกเหลี่ยมทวนเข็มนาฬิกาโดยใช้ประแจแหวน จากนั้นให้ถอดสลักเกลียวหกเหลี่ยม ล้อ แหวน และแกนตามลำดับ

► **หมายเลข 8:** 1. ปุ่มล็อกก้าน 2. ประแจแหวน 3. ขันแน่น 4. คลาย

► **หมายเลข 9:** 1. สลักเกลียวหกเหลี่ยม 2. แกน 3. แหวน 4. ล้อตัดแบบซัด/ลูกล้อเพชร 5. ลูกศร (ทิศทางการหมุนของล้อ)

เมื่อต้องการติดตั้งล้อกลับเข้าที่เดิม ให้ปฏิบัติตามขั้นตอนการถอด

ตรวจสอบให้แน่ใจว่าได้ขันสลักเกลียวหกเหลี่ยมให้แน่นแล้ว

**คำเตือน:** ติดตั้งล้อโดยให้ลูกศรชี้ไปในทิศทางเดียวกันกับลูกศรบนที่ป้องกันล้อ มิฉะนั้น ล้อจะหมุนกลับด้านซึ่งอาจทำให้เกิดการบาดเจ็บได้

**คำเตือน:** ใช้เฉพาะล้อที่มีเครื่องหมายแสดงความเร็วที่เท่ากับหรือสูงกว่าความเร็วของเครื่องหมายบนเครื่องมือ



**หมายเหตุ:** เมื่อทำการติดตั้งแล้ว ตรวจสอบให้แน่ใจว่าติดตั้งแกนโดยให้ด้านที่ราบเรียบของแกนหันเข้าหาล้อ จากนั้นใส่แหวนที่ตรงกับเส้นผ่านศูนย์กลางด้านในของล้อ

- **หมายเลข 10:** 1. สลักเกลียวหกเหลี่ยม 2. แกน  
3. แหวน 4. ล้อตัดแบบขัด/ลูกล้อเพชร

## การเชื่อมต่อกับแหล่งจ่ายน้ำ

1. เตรียมสายจ่ายน้ำ

2. ถอดน็อตของปลอกฟุ้งออก และร้อยสายจ่ายน้ำเข้าไปในน็อต สอดปลายสายเข้าไปในปลอกฟุ้ง จากนั้นขันน็อตให้แน่น

- **หมายเลข 11:** 1. สายจ่ายน้ำ 2. น็อตของปลอกฟุ้ง  
3. ปลอกฟุ้ง

3. เชื่อมต่อสายจ่ายน้ำเข้ากับแหล่งจ่ายน้ำ

ขณะที่เชื่อมต่อเข้ากับก๊อกน้ำ ให้ใช้อุปกรณ์เชื่อมต่อที่เหมาะสมอย่างเช่นสายรัดท่อหรือข้อต่อก๊อกน้ำ

- **หมายเลข 12:** 1. สายรัดท่อ 2. ข้อต่อก๊อกน้ำ 3. สายจ่ายน้ำ

**หมายเหตุ:** อุปกรณ์เชื่อมต่อที่ใช้ขึ้นอยู่กับรูปทรงของก๊อกน้ำที่คุณเชื่อมต่อ เตรียมอุปกรณ์เชื่อมต่อที่ซื้อมาให้เหมาะสม

**หมายเหตุ:** หากคุณใช้ข้อต่อก๊อกน้ำ ให้เตรียมปลอกฟุ้งอีกอันหนึ่งและติดไว้กับปลายอีกด้านหนึ่งของสาย

**หมายเหตุ:** เมื่อใช้งานปั้มน้ำ ให้ปฏิบัติตามคำแนะนำของปั้มน้ำของคุณเพื่อเชื่อมต่อกับสายจ่ายน้ำ

4. ดันปลอกฟุ้งเข้าไปในช่องน้ำเข้าจนกว่าจะล็อกด้วยเสียงคลิก

- **หมายเลข 13:** 1. ปลอกฟุ้ง 2. ช่องน้ำเข้า 3. ก๊อก

**ข้อสังเกต:** ปิดก๊อกไว้จนกว่าจะเริ่มทำการตัดพร้อมจ่ายน้ำ สำหรับวิธีการจ่ายน้ำ โปรดดูที่ส่วนการทำงาน

## การใช้งาน

**⚠ ข้อควรระวัง:** ตรวจสอบให้แน่ใจว่าได้จับชิ้นงานไว้บนขาตั้งหรือโต๊ะทำงานที่มั่นคงแล้วก่อนทำงาน

**⚠ ข้อควรระวัง:** อย่าปิดบิตหรือฟันเครื่องมือระหว่างการตัด มิฉะนั้นมอเตอร์อาจโอเวอร์โหลดหรือชิ้นงานอาจแตกหักได้

## การตัด

**⚠ ข้อควรระวัง:** ระหว่างการทำงาน อย่ายกเครื่องมือสูงกว่าความสูงของไหล่

► **หมายเลข 14**

จับเครื่องมือให้แน่น จับมือจับด้วยมือขวาและด้ามจับด้านหน้าด้วยมือซ้าย เพื่อป้องกันไฟช็อตเนื่องจากการตัดโดนสายไฟโดยไม่ตั้งใจ ให้จับมือจับด้านหน้าในส่วนที่ระบุตามภาพเอาไว้เสมอ

► **หมายเลข 15:** 1. ส่วนที่ควรจับ

เคลื่อนเครื่องมือเหนือพื้นผิวชิ้นงาน โดยรักษาระนาบบนพื้นผิวชิ้นงานไว้ และค่อยๆ เคลื่อนเครื่องมือไปข้างหน้าจนกระทั่งตัดเสร็จ ให้รักษาสีเส้นที่จะตัดให้ตรงและรักษาความเร็วในการเดินหน้าให้สม่ำเสมอ

► **หมายเลข 16**

**หมายเหตุ:** เมื่อตัดลับแบบเตอร์มีอุณหภูมิต่ำ เครื่องมืออาจไม่ทำงานอย่างเต็มความสามารถ ในตอนนี้ ให้ใช้เครื่องมือทำการตัดเบาๆ สักพักหนึ่งจนกว่าตัดลับแบบเตอร์จะอุ่นขึ้นเท่ากับอุณหภูมิห้อง เป็นต้น จากนั้นเครื่องมือจะสามารถทำงานอย่างเต็มความสามารถ

**หมายเหตุ:** หากประสิทธิภาพในการตัดของลูกล้อเพชรเริ่มลดลง ให้ลับขอบตัดของลูกล้อโดยใช้ล้อของเครื่องขัดผิวทรายหยาบที่ไม่ใช่แล้วหรือแท่งคอนกรีต ลับโดยกดบนขอบนอกของลูกล้อเพชรเบาๆ

## ขนถ่ายน้ำระหว่างการตัด

**⚠ ข้อควรระวัง:** ขณะที่ใช้ลูกล้อเพชรแบบเปียก ให้จ่ายน้ำระหว่างการตัดเสมอ

เชื่อมต่อเครื่องมือเข้ากับแหล่งจ่ายน้ำและหมุนก๊อกน้ำในทิศทางลูกศรตามภาพ ปรับตำแหน่งก๊อกน้ำเพื่อให้มีน้ำไหลเบา

► **หมายเลข 17:** 1. ก๊อก

**⚠ ข้อควรระวัง:** ขณะที่จ่ายน้ำ ให้หัวเครื่องมืออยู่ต่ำกว่าตัวเครื่องมือเสมอเพื่อป้องกันไม่ให้น้ำเข้าไปในเกลียวของเครื่องมือ ไม่เช่นนั้นอาจทำให้เกิดไฟฟ้าช็อตได้

► **หมายเลข 18**

## การบำรุงรักษา

**⚠️ ข้อควรระวัง:** ตรวจสอบให้แน่ใจว่าได้ปิดสวิทช์เครื่องมือและถอดด้ามแบตเตอรี่ออกก่อนทำการตรวจสอบหรือบำรุงรักษา

**ข้อสังเกต:** อย่าใช้น้ำมันเชื้อเพลิง เบนซิน ทินเนอร์ แอลกอฮอล์ หรือวัสดุประเภทเดียวกัน เนื่องจากอาจทำให้เกิดสิ่งต่าง ๆ เสียรูป หรือแตกร้าวได้

เพื่อความปลอดภัยและนำเชื้อถือของผลิตภัณฑ์ ควรให้ศูนย์บริการหรือโรงงานที่ผ่านการรับรองจาก Makita เป็นผู้ดำเนินการซ่อมแซม บำรุงรักษาและทำการปรับตั้งอื่นๆ นอกจากนี้ให้ซื้ออะไหล่ของแท้จาก Makita เสมอ

### การทำความสะอาดเครื่องมือ

หลังการใช้งานแต่ละครั้ง ให้ถอดด้ามแบตเตอรี่และล้อ แล้วทำความสะอาดฝุ่น สิ่งสกปรก หรือเศษโลหะที่สะสมอยู่ที่ป้องกันล้อ ทำความสะอาดตัวเครื่องมือโดยเช็ดฝุ่นและสิ่งสกปรกออกด้วยผ้าแห้งหรือผ้าชุบน้ำสบู่บิดหมาด ใช้ผ้าแห้งเพื่อเช็ดสิ่งสกปรกออกจากเลนส์ของดวงไฟ ระวังอย่าขีดข่วนเลนส์ของดวงไฟ ไม่เช่นนั้นอาจทำให้ส่องสว่างได้น้อยลง

▶ **หมายเลข 19:** 1. ที่ป้องกันล้อ 2. เลนส์ของดวงไฟ

### การทำความสะอาดช่องระบายอากาศ

ทำความสะอาดช่องระบายอากาศของเครื่องมือให้เป็นประจำหรือเมื่อใดก็ตามที่ช่องระบายอากาศเริ่มถูกปิดกั้น

▶ **หมายเลข 20:** 1. ช่องระบายอากาศ

### การเปลี่ยนสายพานชิงโครนัส

1. ถอดด้ามแบตเตอรี่และล้อออก  
2. คลายสลักเกี่ยวหัวบ็อกซ์หกลีเยียมโดยใช้ปลายของประแจแหวน แล้วถอดฝาครอบออก

▶ **หมายเลข 21:** 1. ประแจแหวน 2. สลักเกี่ยวหัวบ็อกซ์หกลีเยียม 3. ฝาครอบ

3. ดันปุ่มล๊อคก้านเข้าค้ำไว้เพื่อล๊อคลูกกรอกใหญ่ จากนั้นขันน็อตทวนเข็มนาฬิกาโดยใช้ปลายด้ามที่เรียวยเล็กของประแจแหวน

▶ **หมายเลข 22:** 1. ลูกกรอกใหญ่ 2. ปุ่มล๊อคก้าน

4. ดันปุ่มล๊อคก้านเข้าค้ำไว้เพื่อล๊อคลูกกรอกใหญ่ จากนั้นขันจนแน่นเล็กน้อยตามเข็มนาฬิกาโดยใช้ปลายด้ามที่หนาของประแจแหวนเพื่อคลายสายพานชิงโครนัส

▶ **หมายเลข 23:** 1. ปุ่มล๊อคก้าน 2. ลูกกรอกใหญ่ 3. งานแผ่นเล็ก

5. การถอดสายพาน

6. ติดตั้งปลายด้ามหนึ่งของสายพานเข้ากับลูกกรอกเล็ก โดยให้ร่องบนสายพานอยู่ด้านใน จากนั้นติดตั้งปลายอีกด้านของสายพานเข้ากับลูกกรอกใหญ่

▶ **หมายเลข 24:** 1. สายพาน 2. ลูกกรอกใหญ่ 3. ลูกกรอกเล็ก

7. ดันปุ่มล๊อคก้านเข้าค้ำไว้เพื่อล๊อคลูกกรอกใหญ่ จากนั้นขันจนแน่นเล็กน้อยตามเข็มนาฬิกาโดยใช้ปลายด้ามที่หนาของประแจแหวนเพื่อขันสายพานให้แน่น

▶ **หมายเลข 25:** 1. ปุ่มล๊อคก้าน 2. ลูกกรอกใหญ่

**หมายเหตุ:** ตรวจสอบให้แน่ใจว่างานแผ่นเล็กอยู่ในตำแหน่งตามที่แสดงในภาพ

▶ **หมายเลข 26:** 1. งานแผ่นเล็ก

8. ดันปุ่มล๊อคก้านเข้าค้ำไว้เพื่อล๊อคลูกกรอกใหญ่ จากนั้นขันน็อตตามเข็มนาฬิกาโดยใช้ปลายด้ามที่เรียวยเล็กของประแจแหวน

▶ **หมายเลข 27:** 1. ปุ่มล๊อคก้าน

**หมายเหตุ:** เมื่อทำการขันน็อตให้ใช้แรงบิดการขัน 19 - 21 N•m

9. ติดตั้งฝาครอบ แล้วขันสลักเกี่ยวหัวบ็อกซ์หกลีเยียมโดยใช้ปลายของประแจแหวน

▶ **หมายเลข 28:** 1. ประแจแหวน 2. สลักเกี่ยวหัวบ็อกซ์หกลีเยียม 3. ฝาครอบ

# การแก้ไขปัญหา

ก่อนนำไปซ่อม ให้ทำการตรวจสอบด้วยตัวเองก่อน หากพบปัญหาที่ไม่มีอธิบายในคู่มือการใช้งาน อย่าพยายามถอดแยกเครื่องมือ แต่ให้นำไปซ่อมที่ศูนย์บริการหรือโรงงานที่ผ่านการรับรองจาก Makita และใช้ชิ้นส่วนอะไหล่ของ Makita

สภาวะความผิดปกติ	สาเหตุที่เป็นไปได้ (การทำงานผิดปกติ)	การแก้ไข
มอเตอร์ไม่ทำงาน	ไม่ได้ติดตั้งถลับแบตเตอรี่	ติดตั้งถลับแบตเตอรี่สองถลับ เครื่องมือนี้จะไม่ทำงานเมื่อใช้ถลับแบตเตอรี่ก้อนเดียว
	ปัญหาแบตเตอรี่ (ไฟต่ำ)	ชาร์จแบตเตอรี่อีกครั้ง หากการชาร์จแบตเตอรี่ใหม่ไม่ได้ผล ให้เปลี่ยนถลับแบตเตอรี่
	ระบบขับเคลื่อนไม่ทำงานอย่างถูกต้อง	สอบถามศูนย์บริการที่ผ่านการรับรองจาก Makita ในท้องถิ่นให้ทำการซ่อมแซมให้
มอเตอร์หยุดทำงานหลังจากใช้งานไปได้เล็กน้อย	ระดับการชาร์จของแบตเตอรี่ต่ำ	ชาร์จแบตเตอรี่อีกครั้ง หากการชาร์จแบตเตอรี่ใหม่ไม่ได้ผล ให้เปลี่ยนถลับแบตเตอรี่
	ความร้อนสูงเกิน	หยุดใช้งานเครื่องมือเพื่อให้เครื่องมือเย็นลง
ความเร็วในการหมุนของล้อไม่เพิ่มขึ้นอย่างเหมาะสมหลังจากเปิดเครื่องมือโดยไม่มีภาระงานเป็นเวลา 20 วินาที	แบตเตอรี่ติดตั้งอย่างไม่ถูกต้อง	ติดตั้งถลับแบตเตอรี่ตามที่อธิบายในคู่มือการใช้งานนี้
	กำลังของแบตเตอรี่ต่ำลง	ชาร์จถลับแบตเตอรี่ใหม่ หากการชาร์จแบตเตอรี่ใหม่ไม่ได้ผล ให้เปลี่ยนถลับแบตเตอรี่
	สายพานซิงโครนัสลื่นหลุด	เปลี่ยนสายพานซิงโครนัสอันใหม่
	ระบบขับเคลื่อนไม่ทำงานอย่างถูกต้อง	สอบถามศูนย์บริการที่ผ่านการรับรองจาก Makita ในท้องถิ่นให้ทำการซ่อมแซมให้
ล้อไม่หมุน: ⇒ หยุดเครื่องมือทันที!	สายพานซิงโครนัสลื่นหลุด	เปลี่ยนสายพานซิงโครนัสอันใหม่
	วัตถุแปลกปลอมติดขัดอยู่ระหว่างที่ป้องกันและล้อ	ถอดถลับแบตเตอรี่แล้วนำสิ่งแปลกปลอมออก
	ระบบขับเคลื่อนไม่ทำงานอย่างถูกต้อง	สอบถามศูนย์บริการที่ผ่านการรับรองจาก Makita ในท้องถิ่นให้ทำการซ่อมแซมให้
การสันสะเทือนผิดปกติ ⇒ หยุดเครื่องมือทันที!	การติดตั้งล้อที่ไม่เหมาะสม	ติดตั้งล้อตามที่แนะนำไว้ในคู่มือการใช้งานนี้ ชันสลักเกลียวเพื่อยึดล้อให้แน่น
	ระบบขับเคลื่อนไม่ทำงานอย่างถูกต้อง	สอบถามศูนย์บริการที่ผ่านการรับรองจาก Makita ในท้องถิ่นให้ทำการซ่อมแซมให้
เครื่องมือตัดและมอเตอร์ไม่หยุดทำงาน ⇒ ถอดถลับแบตเตอรี่ทันที!	ชิ้นส่วนไฟฟ้าหรืออิเล็กทรอนิกส์ทำงานผิดปกติ	ถอดถลับแบตเตอรี่ออก แล้วนำเครื่องมือเข้าไปรับการซ่อมที่ศูนย์บริการที่ได้รับการรับรองใกล้คุณ
ประสิทธิภาพในการตัดลดลง	ถึงเวลาที่ควรเปลี่ยนล้อ	เปลี่ยนล้อเป็นล้อใหม่
น้ำรั่วออกจากช่องน้ำเข้า	น้ำรั่วออกจากส่วนโอริง	สอบถามศูนย์บริการที่ได้รับการรับรองใกล้บ้านคุณเพื่อรับการซ่อม

## อุปกรณ์เสริม

**⚠ ข้อควรระวัง:** ขอแนะนำให้ใช้เฉพาะอุปกรณ์เสริมหรืออุปกรณ์ต่อพ่วงเหล่านี้กับเครื่องมือ Makita ที่ระบุในคู่มือการใช้อุปกรณ์เสริมหรืออุปกรณ์ต่อพ่วงอื่นๆ อาจมีความเสี่ยงที่จะได้รับบาดเจ็บ ใช้อุปกรณ์เสริมหรืออุปกรณ์ต่อพ่วงตามวัตถุประสงค์ที่ระบุไว้เท่านั้น

หากต้องการทราบรายละเอียดเพิ่มเติมเกี่ยวกับอุปกรณ์เสริมเหล่านี้ โปรดสอบถามศูนย์บริการ Makita ใกล้บ้านคุณ

- ล้อตัดแบบขัด
- ลูกล้อเพชร
- ชุดแหวน
- สายพานชิงโครนัส
- ปลอกพ่วง
- ประแจแหวน
- แบตเตอรี่และเครื่องชาร์จ Makita ของแท้

**หมายเหตุ:** อุปกรณ์บางรายการอาจจะรวมอยู่ในชุดเครื่องมือเป็นอุปกรณ์มาตรฐาน ซึ่งอาจแตกต่างกันไปในแต่ละประเทศ

**Makita Corporation**  
3-11-8, Sumiyoshi-cho,  
Anjo, Aichi 446-8502 Japan  
[www.makita.com](http://www.makita.com)

885944-370  
EN, ZHCN, ID, MS,  
VI, TH  
20211117