



|    |         |
|----|---------|
| VN | VIETNAM |
|----|---------|

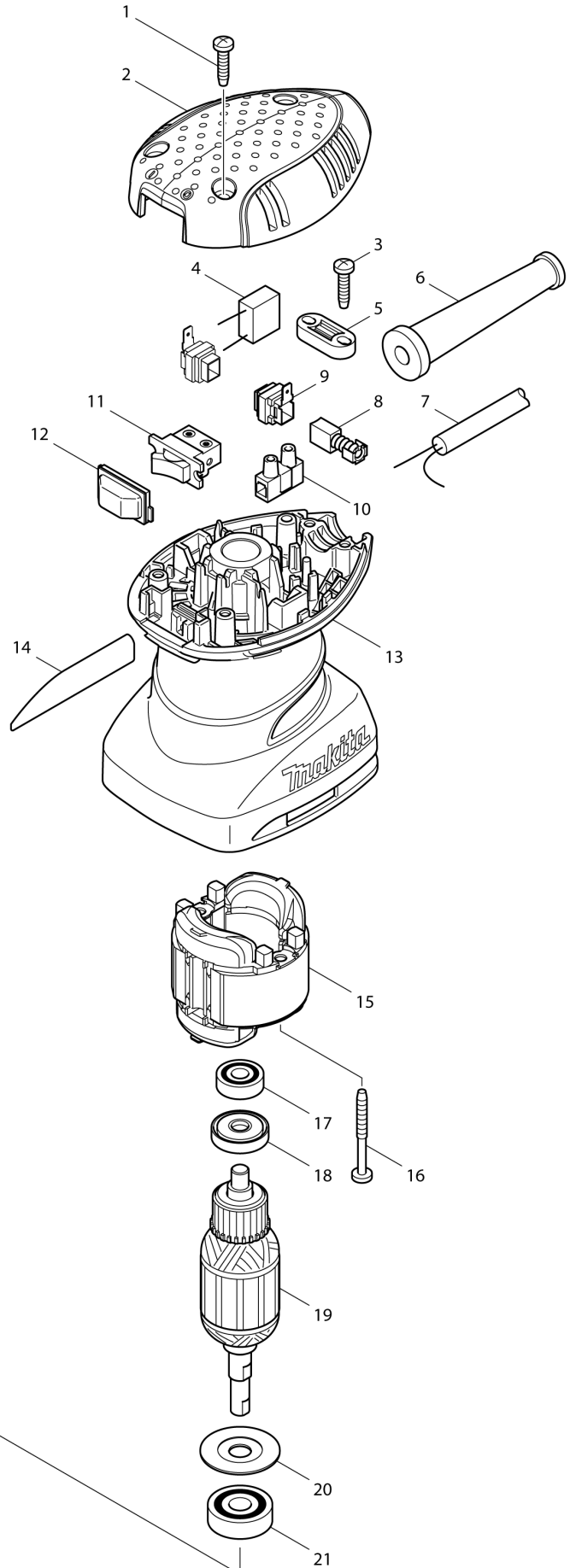
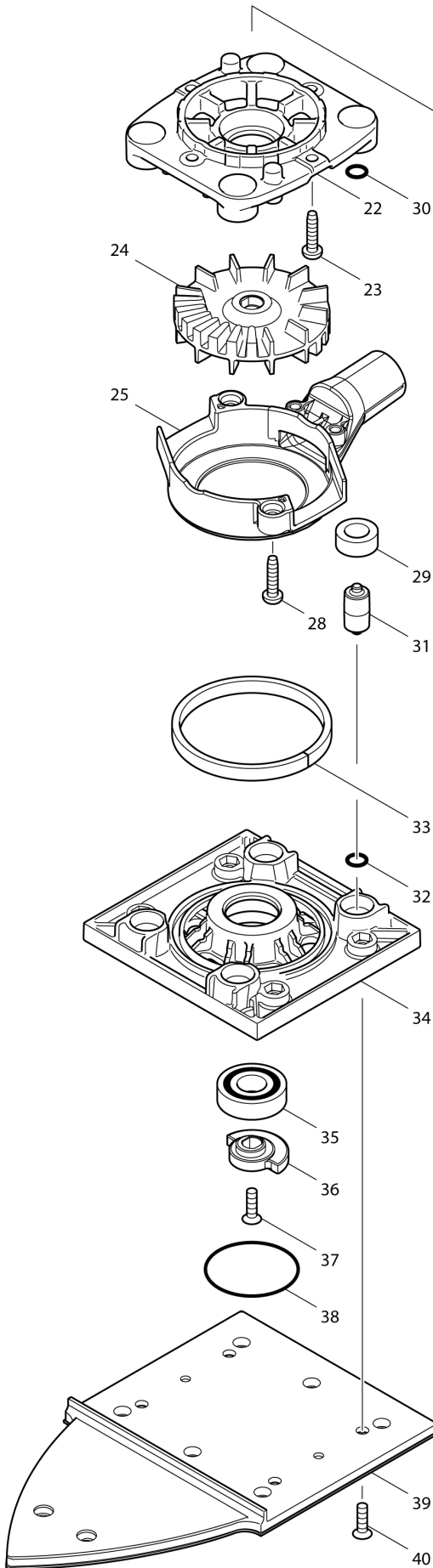
# Diagram / Parts List

**BO4565**

**FINISHING SANDER**



(VN) BO4565 / FINISHING SANDER



|           |                |
|-----------|----------------|
| <b>VN</b> | <b>VIETNAM</b> |
|-----------|----------------|

## BO4565 / FINISHING SANDER

| Item  | Sub | Parts No. | Parts Description            | Qty | I/C | E/C No. | Close No. | Remark |
|-------|-----|-----------|------------------------------|-----|-----|---------|-----------|--------|
| 001   |     | 265995-6  | TAPPING SCREW 4X18           | 3   |     |         |           |        |
| 002   |     | 450071-1  | TOP COVER                    | 1   |     |         |           |        |
| 003   |     | 265995-6  | TAPPING SCREW 4X18           | 2   |     |         |           |        |
| 005   |     | 687124-5  | STRAIN RELIEF                | 1   |     |         |           |        |
| 006   |     | 682569-2  | CORD GUARD 8-85              | 1   |     |         |           |        |
| 007   |     | 691055-2  | POWER SUPPLY CORD 0.75-2-2.0 | 1   |     |         |           |        |
| 008   |     | A-81284   | CARBON BRUSH CB-419A         | 1   |     |         | 83185     |        |
| 008-1 |     | B-80086   | CARBON BRUSH SET CB-419A     | 1   | O   | 83185   | 85070     |        |
| 008-2 |     | B-80422   | CARBON BRUSH SET CB-419A     | 1   | <   | 85070   |           |        |
| 009   |     | 643995-0  | BRUSH HOLDER                 | 2   |     |         |           |        |
| 010   |     | 654532-5  | TERMINAL BLOCK 1P            | 1   |     |         |           |        |
| 011   |     | 651527-9  | SWITCH                       | 1   |     |         |           |        |
| 012   |     | 424039-3  | SWITCH COVER                 | 1   |     |         |           |        |
| 013   |     | 450072-9  | MOTOR HOUSING                | 1   |     |         |           |        |
| 014   |     | 863735-2  | BO4565 NAME PLATE            | 1   |     |         |           |        |
| 015   |     | 593648-0  | FIELD ASS'Y 220V             | 1   |     |         | D0945     |        |
|       | C10 | 654069-2  | RECEPTACLE                   | 2   |     |         | D0945     |        |
| 015-1 |     | 593648-0  | FIELD ASS'Y 220V             | 1   | O   | D0945   |           |        |
|       | C10 | 654069-2  | RECEPTACLE                   | 2   |     | D0945   |           |        |
| 016   |     | 266048-4  | TAPPING SCREW 4X40           | 2   |     |         |           |        |
| 017   |     | 210034-7  | BALL BEARING 607LLB          | 1   |     |         | A4758     |        |
| 017-1 |     | 210062-2  | BALL BEARING 607ZZ           | 1   | O   | A4758   |           |        |
| 018   |     | 681652-2  | INSULATION WASHER            | 1   |     |         |           |        |
| 019   |     | 515708-8  | ARMATURE ASS'Y 220-240V      | 1   |     |         |           |        |
|       | D10 |           | INC. 17,18,20,21             |     |     |         |           |        |
| 020   |     | 267806-1  | WASHER 9                     | 1   |     |         |           |        |
| 021   |     | 211092-6  | BALL BEARING 629DDW          | 1   |     |         |           |        |
| 022   |     | 450070-3  | BEARING BOX                  | 1   |     |         |           |        |
| 023   |     | 265995-6  | TAPPING SCREW 4X18           | 4   |     |         |           |        |
| 024   |     | 241671-6  | FAN 63                       | 1   |     |         |           |        |
| 025   |     | 450069-8  | FAN GUIDE                    | 1   |     |         |           |        |
| 028   |     | 265995-6  | TAPPING SCREW 4X18           | 2   |     |         |           |        |
| 029   |     | 424023-8  | SPONGE SLEEVE 9              | 4   |     |         |           |        |
| 030   |     | 213983-7  | O RING 4                     | 4   |     |         |           |        |
| 031   |     | 318151-8  | FOOT                         | 4   |     |         |           |        |
| 032   |     | 213983-7  | O RING 4                     | 4   |     |         |           |        |
| 033   |     | 424038-5  | SPONGE 6X185X3               | 1   |     |         | A5719     |        |
| 033-1 |     | 424684-4  | SPONGE 7X87X3                | 1   | O   | A5719   | B4352     |        |
| 033-2 |     | 424684-4  | SPONGE 7X87X3                | 1   | O   | B4352   |           |        |
| 034   |     | 450068-0  | BASE                         | 1   |     |         |           |        |
| 035   |     | 211131-2  | BALL BEARING 6001DDW         | 1   |     |         |           |        |
| 036   |     | 313142-4  | BALANCER                     | 1   |     |         |           |        |
| 037   |     | 912117-6  | COUNTERSUNK HEAD SCREW M4X12 | 1   |     |         |           |        |
| 038   |     | 213510-0  | O RING 36                    | 1   |     |         |           |        |
| 039   |     | 158325-7  | PLATE COMPLETE               | 1   |     |         |           |        |
| 040   |     | 912117-6  | COUNTERSUNK HEAD SCREW M4X12 | 4   |     |         |           |        |
| A01   |     | 166078-4  | DUST BAG                     | 1   |     |         | Y08284    |        |
| A01-1 |     | 135222-4  | DUST BAG ASS'Y               | 1   | <   | Y08284  |           |        |
|       | C10 | 166078-4  | DUST BAG                     | 1   |     | Y08284  |           |        |
|       | D10 |           | INC. A02-A04                 |     |     | Y08284  |           |        |
| A02   |     | 257202-1  | RING 25                      | 1   |     |         |           |        |
| A03   |     | 416063-0  | DUST BAG NOZZLE              | 1   |     |         |           |        |
| A04   |     | 416064-8  | DUST NOZZLE                  | 1   |     |         |           |        |
| A05   |     | 192352-4  | ABRASIVE PAPER SET           | 1   |     |         |           |        |
| A06   |     | 192655-6  | ABRASIVE PAPER SET           | 1   |     |         |           |        |

Interchange  
O : Yes  
X : No  
< : the new part can be substituted for the current.  
> : the current part can be substituted for the new.  
S : Interchangeable as a set.