



VN	VIETNAM
----	---------

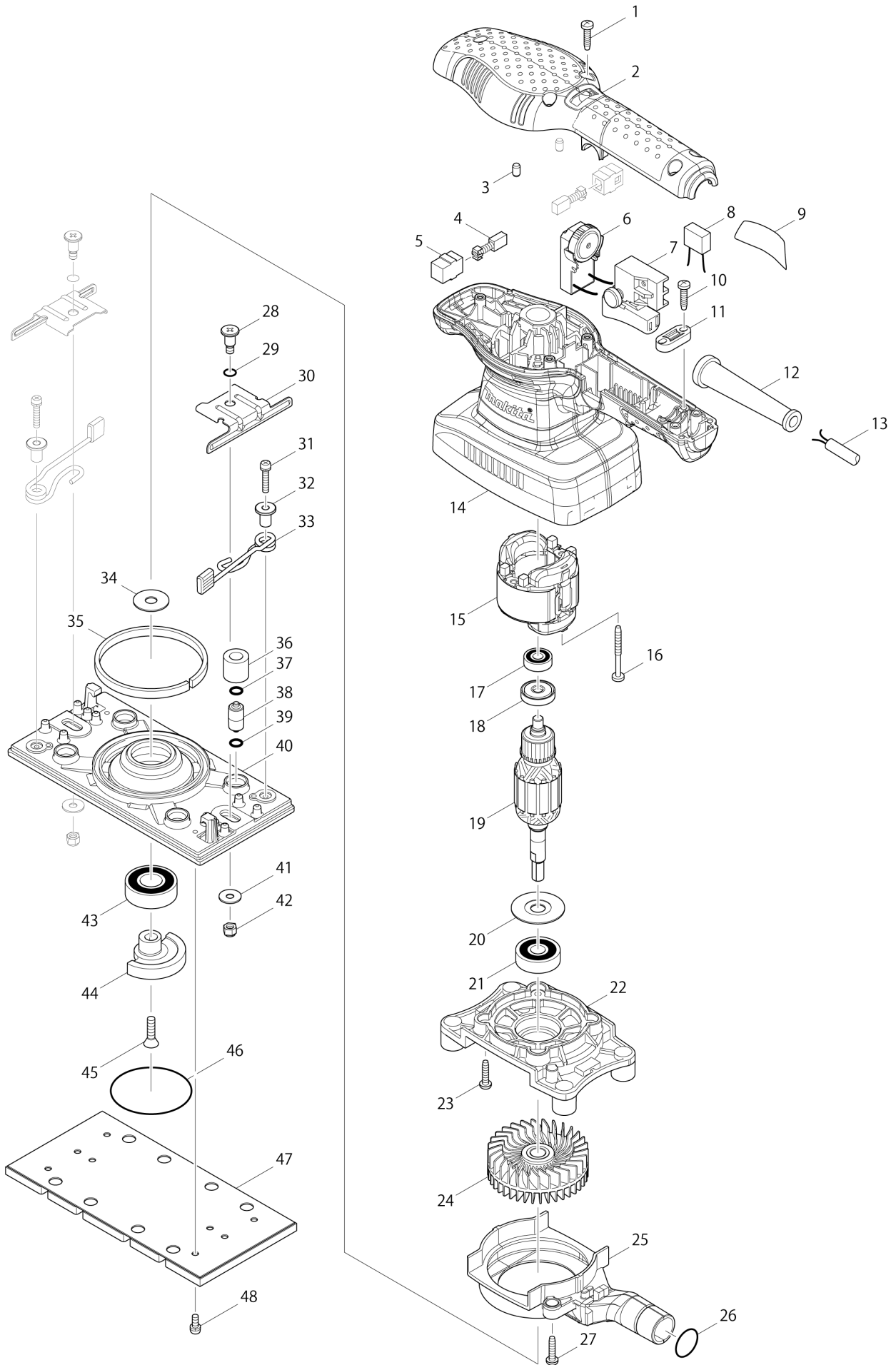
Diagram / Parts List

BO3711

FINISHING SANDER



(VN) BO3711 / FINISHING SANDER



VN	VIETNAM
-----------	----------------

BO3711 / FINISHING SANDER

Item	Sub	Parts No.	Parts Description	Qty	I/C	E/C No.	Close No.	Remark
001		265995-6	TAPPING SCREW 4X18	5				
002		451269-3	TOP COVER	1				
003		263002-9	RUBBER PIN 4	2				
004		B-80254	CARBON BRUSH SET CB-64A	1				
005		643552-4	BRUSH HOLDER 5-8	2				
006		631906-7	CONTROLLER	1				
007		651286-5	SWITCH SGEL206C-5	1				
009		867006-9	BO3711 NAME PLATE	1				
010		265995-6	TAPPING SCREW 4X18	2				
011		687124-5	STRAIN RELIEF	1				
012		682569-2	CORD GUARD 8-85	1				
013		691055-2	POWER SUPPLY CORD 0.75-2-2.0	1				
014		451270-8	MOTOR HOUSING	1				
015		593708-8	FIELD ASSEMBLY 220-240V	1			C7352	
	C10	654037-5	INSULATED TERM. FT1.25-M3	2			Y06150	
	C11	654037-5	INSULATED TERM. FT1.25-M3	2	O	Y06150	C7352	
015-1		593708-8	FIELD ASSEMBLY 220-240V	1	O	C7352		
	C11	654037-5	INSULATED TERM. FT1.25-M3	2	O	C7352		
016		266048-4	TAPPING SCREW 4X40	2				
017		210062-2	BALL BEARING 607ZZ	1				
018		681652-2	INSULATION WASHER	1				
019		515783-4	ARMATURE ASSEMBLY 220V	1				
	D10		INC. 17,18,20,21					
020		253180-3	FLAT WASHER 10	1				
021		211087-9	BALL BEARING 6200DDW	1				
022		451266-9	BEARING BOX	1				
023		265995-6	TAPPING SCREW 4X18	4				
024		240117-9	FAN 68	1				
025		451267-7	FAN GUIDE	1				
026		213315-8	O RING 19	1				
027		265995-6	TAPPING SCREW 4X18	2				
028		266511-7	+ FLAT FILLISTER HEAD SCREW M5	2				
029		213045-1	O-RING 6	2				
030		346102-1	PAPER CLAMP	2				
031		911136-9	PAN HEAD SCREW M4X20	2				
032		310300-3	SPRING GUIDE	2				
033		162279-2	LEVER COMPLETE	2				
034		267353-2	FLAT WASHER 8	1				
035		423389-3	SPONGE 6X230X3	1			99399	
035-1		423469-5	SPONGE 7X105X3	1	O	99399	B8459	
035-2		423469-5	SPONGE 7X105X3	1	O	B8459		
036		424056-3	SPONGE SLEEVE 9	4				
037		213983-7	O RING 4	4				
038		318151-8	FOOT	4				
039		213983-7	O RING 4	4				
040		318484-1	BASE	1			86524	
040-1		318484-1	BASE	1	X	86524		
041		253807-5	FLAT WASHER 5	2				
042		252103-8	HEX. LOCK NUT M5-8	2				
043		211228-7	BALL BEARING 6202DDW	1				
044		310301-1	BALANCER	1				
045		912222-9	COUNTERSUNK HEAD SCREW M5X16	1				
046		213656-2	O RING 53	1				
047		140146-1	PAD COMPLETE	1			89189	
047-1		140441-9	PAD COMPLETE	1	<	89189		
048		911111-5	PAN HEAD SCREW M4X10 WITH W	4				
A01		140115-2	DUST BAG COMPLETE	1				
A02		451271-6	PUNCH PLATE	1				
A03		794563-3	ABRASIVE PAPER 93X228 #120	1			02 100	
A03-1		A-31267	ABRASIVE PAPER 93X228 #120	1	O	02 100		AEPD-002/100

Interchange
O : Yes
X : No
< : the new part can be substituted for the current.
> : the current part can be substituted for the new.
S : Interchangeable as a set.