



VN	VIETNAM
----	---------

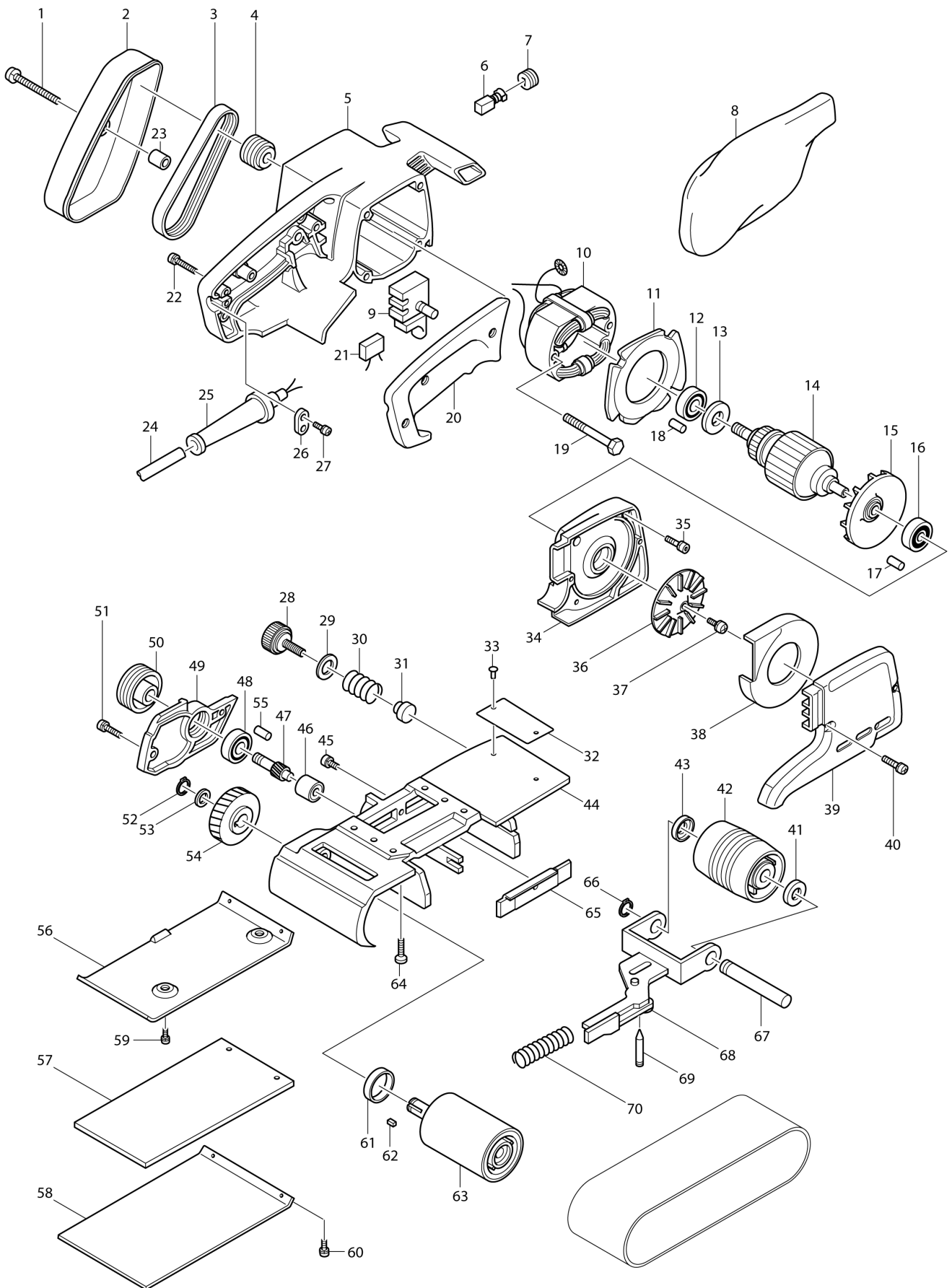
Diagram / Parts List

9924DB

BELT SANDER 76MM



(VN) 9924DB / BELT SANDER 76MM



VN	VIETNAM
-----------	----------------

9924DB / BELT SANDER 76MM

Item	Sub	Parts No.	Parts Description	Qty	I/C	E/C No.	Close No.	Remark
001		911261-6	PAN HEAD SCREW M5X40	1				
002		343270-1	BELT COVER	1				
003		225008-5	POLY V-BELT 5-304	1				
004		222010-9	V-PULLEY 5-25L	1				
005		156490-6	MOTOR HOUSING COMPLETE	1				
	C10	643603-3	BRUSH HOLDER 6-10	2				
	C11	643609-1	BRUSH HOLDER 6-10	2	O	55752		
	D10		INC. 18					
006B		181030-1	CARBON BRUSH CB-100	1			85070	
006B1		B-80298	CARBON BRUSH SET CB-100A	1	<	85070		
007		643600-9	BRUSH HOLDER CAP 6-10	2				
008-1		122296-4	DUST BAG ASS'Y	1				
	C10	410602-8	FASTENER	1				
009		651204-3	SWITCH SGEL115CDY	1				
010C		523125-8	FIELD ASS'Y 220V	1			D5492	220V
	C10	654019-7	RING TERMINAL	2			D5492	
	C20	654502-4	CONNECTOR P-2	2			D5492	
010C1		523125-8	FIELD ASS'Y 220V	1	O	D5492		220V
	C10	654019-7	RING TERMINAL	2		D5492		
	C20	654502-4	CONNECTOR P-2	2		D5492		
011		411322-7	BAFFLE PLATE	1				
012		211066-7	BALL BEARING 6200LLB	1				
013-1		681623-9	INSULATION WASHER	1				
014C		513294-3	ARMATURE ASS'Y 220V	1				220V
	D10		INC. 12,13,15,16					
015		241809-3	FAN 75	1				
016-1		211087-9	BALL BEARING 6200DDW	1				
017		263002-9	RUBBER PIN 4	1			72590	
018		263002-9	RUBBER PIN 4	1				
019-1		911270-5	PAN HEAD SCREW M5X45	2				
020		411321-9	HANDLE COVER	1				
022		911158-9	PAN HEAD SCREW M4X30	3				
023		257504-5	SLEEVE 6	1				
024R1		691025-1	POWER SUPPLY CORD 0.75-2-5.0	1			C4571	
024R2		691587-9	POWER SUPPLY CORD 0.75-2-5.0	1	S	C4571		
025		682504-0	CORD GUARD 10-85	1				
026-1		687001-1	STRAIN RELIEF	1			C4571	
026-2		687000-3	STRAIN RELIEF	1	S	C4571		
027-1		911133-5	PAN HEAD SCREW M4X18	2				
028		251815-0	SCREW M6X25	1			D6580	
028-1		265B65-3	THUMB SCREW M6X27	1	S	D6580		
029		253707-9	FLAT WASHER 16	1			C8709	
030		231225-7	COMPRESSION SPRING 16	1			C8709	
030-1		232573-7	COMPRESSION SPRING 16	1	S	C8709		
031		411594-4	SHOE	1			D6580	
032		815254-4	NAME PLATE 9924DB	1			75249	
032-1		862386-8	NAME PLATE 9924DB	1	<	75249		
033		953106-2	RIVET 0-5	2			75249	
034		152208-3	DUST COLLECTOR BRACKET	1			72590	
	D10		INC. 17				72590	
034-1		312810-6	DUST COLLECTOR BRACKET	1	O	72590		
035		911241-2	PAN HEAD SCREW M5X25	4				
036		241611-4	FAN 74	1				
037		911211-1	PAN HEAD SCREW M5X12	1				
038		343271-9	SEPARATOR	1				
039		312809-1	DUST COLLECTOR COVER	1				
040		911131-9	PAN HEAD SCREW M4X18	2				
041		253922-5	CUP WASHER 12	1				
042		152104-5	TENSION ROLLER COMPLETE	1				
	C10	214101-0	PLANE BEARING 12	2				
	C20	413012-8	SPONGE SHEET 30-47	1				
043		253922-5	CUP WASHER 12	1				
044-1		151189-8	FRAME COMPLETE	1			75249	
044-2		151189-8	FRAME COMPLETE	1	<	75249	C9206	
044-3		151189-8	FRAME COMPLETE	1	O	C9206		

Interchange
O : Yes
X : No
< : the new part can be substituted for the current.
> : the current part can be substituted for the new.
S : Interchangeable as a set.

