



VN	VIETNAM
----	---------

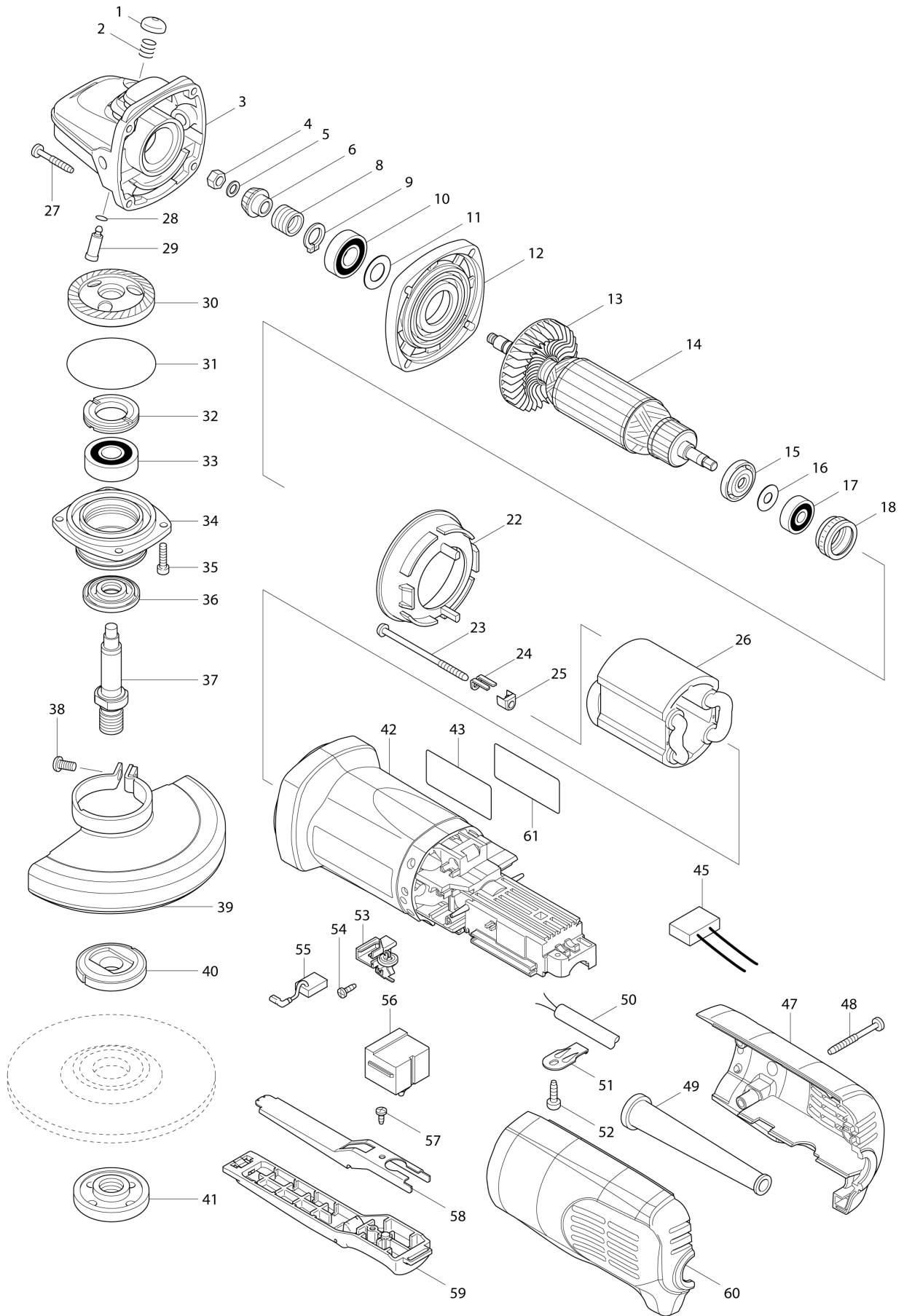
# Diagram / Parts List

**9565P**

**125MM ANGLE GRINDER**



# (VN) 9565P / 125MM ANGLE GRINDER



<b>VN</b>	<b>VIETNAM</b>
-----------	----------------

### 9565P / 125MM ANGLE GRINDER

Item	Sub	Parts No.	Parts Description	Qty	I/C	E/C No.	Close No.	Remark
001		418067-8	PIN CAP	1				
002		233072-2	COMPRESSION SPRING 8	1				
003		153488-4	GEAR HOUSING COMPLETE	1				
004		931303-0	HEX. NUT M6	1				
005		253077-6	FLAT WASHER 6	1				
006		227513-8	SPIRAL BEVEL GEAR 11	1				
008		233901-9	LOCK SPRING 12	1				
009		961052-5	RETAINING RING S-12	1				
010		211142-7	BALL BEARING 6001LLB	1				
011		253084-9	FLAT WASHER 12	1				
012		317359-1	GEAR HOUSING COVER	1				
013		240033-5	FAN 57	1				
014		515233-9	ARMATURE ASS'Y 220V	1				
	D10		INC. 13,15-17					
015		681656-4	INSULATION WASHER	1				
016		253823-7	FLAT WASHER 7	1				
017		210027-4	BALL BEARING 627DDW	1				
018		421738-8	LABYRINTH RUBBER RING 22	1			D9053	
018-1		422750-1	LABYRINTH RUBBER RING 22	1	<	D9053		
022		413076-2	BAFFLE PLATE	1				
023		266258-3	TAPPING SCREW 4X70	2				
024		344871-8	RETAINER	2				
025		417237-6	INSULATION COVER	2				
026		621763-1	FIELD 220V	1				
027		266257-5	TAPPING SCREW 4X28	4				
028		213048-5	O RING 6	1				
029		256459-1	PIN	1				
030		227514-6	SPIRAL BEVEL GEAR 38	1				
031		213673-2	O RING 52	1				
032		285841-7	BEARING RETAINER	1				
033		211129-9	BALL BEARING 6201DDW	1				
034		318302-3	BEARING BOX	1				
035		265490-6	HEX. SOCKET HEAD BOLT M4X16	4				
036		415300-9	LABYRINTH RING	1				
037		324035-0	SPINDLE	1				
038		265103-9	PAN HEAD SCREW M5X14	1				
039		125268-8	WHEEL COVER ASS'Y	1				
	D10		INC. 38					
040		224415-9	INNER FLANGE 42	1				
041		224554-5	LOCK NUT 14-45	1				
042		450146-6	MOTOR HOUSING	1			A3841	
042-1		455358-6	MOTOR HOUSING	1	O	A3841		
043		814F01-6	9565P NAME PLATE	1				
047		188364-3	REAR COVER SET	1			DB563	
	D10		INC. 60				DB563	
047-1		183U30-3	REAR COVER SET	1	<	DB563		
	D10		INC. 60			DB563		
048		266048-4	TAPPING SCREW 4X40	3				
049		682566-8	CORD GUARD 10	1				
050		691015-4	POWER SUPPLY CORD 0.75-2-2.5	1				
051		687169-3	STRAIN RELIEF	1				
052		266192-7	TAPPING SCREW 4X14	1				
053		643760-7	BRUSH HOLDER	2				
054		266256-7	TAPPING SCREW PT3X10	4				
055		195001-2	CARBON BRUSH SET CB-325	1				
056		650579-7	SWITCH 1246.3223	1				
057		265954-0	TAPPING SCREW BIND PT3X8	1				
058		345504-8	PLATE	1				
059		154584-1	SWITCH LEVER B COMPLETE	1				
060		188364-3	REAR COVER SET	1			DB563	
	D10		INC. 47				DB563	
060-1		183U30-3	REAR COVER SET	1	<	DB563		
	D10		INC. 47			DB563		
A01		153489-2	GRIP 36 COMPLETE	1				
A02		782423-1	LOCK NUT WRENCH 35	1				

Interchange  
O : Yes  
X : No  
< : the new part can be substituted for the current.  
> : the current part can be substituted for the new.  
S : Interchangeable as a set.