



VN	VIETNAM
----	---------

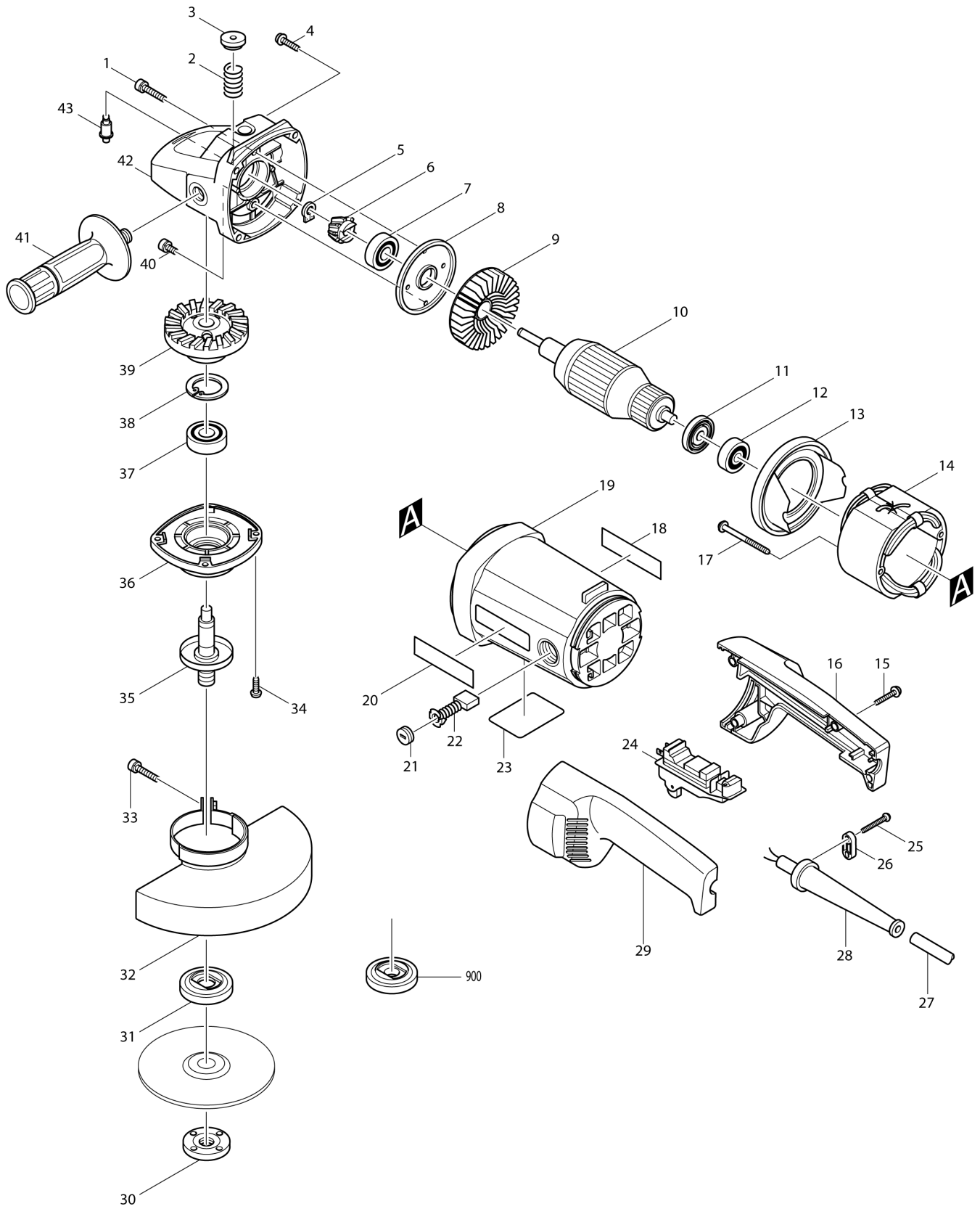
# Diagram / Parts List

**9067**

**180MM ANGLE GRINDER**



# (VN) 9067 / 180MM ANGLE GRINDER



<b>VN</b>	<b>VIETNAM</b>
-----------	----------------

### 9067 / 180MM ANGLE GRINDER

Item	Sub	Parts No.	Parts Description	Qty	I/C	E/C No.	Close No.	Remark
001		265976-0	HEX.SOCKET HEAD BOLT M5X10	1				
002		233089-5	COMPRESSION SPRING 12	1				
002-1		233292-8	COMPRESSION SPRING 12	1	O	60766A		
003		416449-8	PIN CAP	1				
004		266012-5	TAPPING SCREW 5X35	4				
005		961005-4	RETAINING RING S-9	1				
006		226774-7	SPIRAL BEVEL GEAR 15	1				
007		211132-0	BALL BEARING 6301DDW	1				
008		285688-9	BEARING RETAINER 57	1				
009		240011-5	FAN 80	1				
010		516773-0	ARMATURE ASS'Y 220-240V	1			75060	
	D10		INC. 9,11,12				75060	
010-1		516773-0	ARMATURE ASS'Y 220-240V	1	<	75060		
	D10		INC. 9,11,12			75060		
011		681630-2	INSULATION WASHER	1				
012		211087-9	BALL BEARING 6200DDW	1				
013		416472-3	BAFFLE PLATE	1				
014B		526073-0	FIELD ASS'Y 220V	1			B6101	
	C10	654098-5	RECEPTACLE	2				
	C11	654208-4	RECEPTACLE	2	X	60887	B6101	
014B1		526073-0	FIELD ASS'Y 220V	1	O	B6101		
	C11	654208-4	RECEPTACLE	2	X	B6101		
015		265999-8	TAPPING SCREW 4X25	4				
016		183029-2	HANDLE SET	1				
	D10		INC. 29					
017		266044-2	TAPPING SCREW 5X60	2				
019		150969-9	MOTOR HOUSING COMPLETE	1				
	C10	643707-1	BRUSH HOLDER	2				
021		643700-5	BRUSH HOLDER CAP 7-18	2				
022		191957-7	A.C. CARBON BRUSH CB-204	1			85070	
022-1		B-80357	CARBON BRUSH SET CB-204A	1	<	85070		
023		859835-4	NAME PLATE 9067	1				
024C		651143-7	SWITCH 1267.4102	1			79307	77550
024C1		650101-0	SWITCH TG08-1100-011	1	O	79307		77550
025		265995-6	TAPPING SCREW 4X18	2				
026B		687053-2	STRAIN RELIEF	1			A7453	
026B1		687140-7	STRAIN RELIEF	1	O	A7453		
027D		691015-4	POWER SUPPLY CORD 0.75-2-2.5	1				
028A		682505-8	CORD GUARD 10-90	1				
029		183029-2	HANDLE SET	1				
	D10		INC. 16					
030		224543-0	LOCK NUT 14-45	1				
031		224298-7	INNER FLANGE 42	1			79400	
031-1		224415-9	INNER FLANGE 42	1	<	79400	B3974	
031-2		224490-5	INNER FLANGE 14-45	1	O	B3974		
032		165215-7	WHEEL COVER	1				
033		265050-4	PAN HEAD SCREW M8X25	1			86407	
033-1		265198-2	+PAN HEAD SCREW M8X25	1	O	86407		
034		266027-2	TAPPING SCREW CT5X16	4				
034-1		911226-8	PAN HEAD SCREW M5X18	4	S	57432	63975	
034-2		911230-7	PAN HEAD SCREW M5X18	4	<	63975	71677	
034-3		266086-6	HEX. SOCKET HEAD BOLT M5X16	4	<	71677		
035		152606-1	SPINDLE COMPLETE	1				
	C10	344611-4	LABYRINTH RING	1				
036		317007-2	BEARING BOX	1			71903	
036-1		317007-2	BEARING BOX	1	<	71903		
037		211278-2	BALL BEARING 6203DDW	1				
038		962157-4	RETAINING RING R-40	1				
039		226773-9	SPIRAL BEVEL GEAR 49	1				
040		265976-0	HEX.SOCKET HEAD BOLT M5X10	1				
041		152539-0	GRIP 36 COMPLETE	1				
042		150968-1	GEAR HOUSING COMPLETE	1				
042-1		151631-9	GEAR HOUSING COMPLETE	1	S	57432		
	C10	212074-1	NEEDLE BEARING 1012	1				
043		256452-5	PIN 8	1				

Interchange  
O : Yes  
X : No  
< : the new part can be substituted for the current.  
> : the current part can be substituted for the new.  
S : Interchangeable as a set.

