



VN	VIETNAM
----	---------

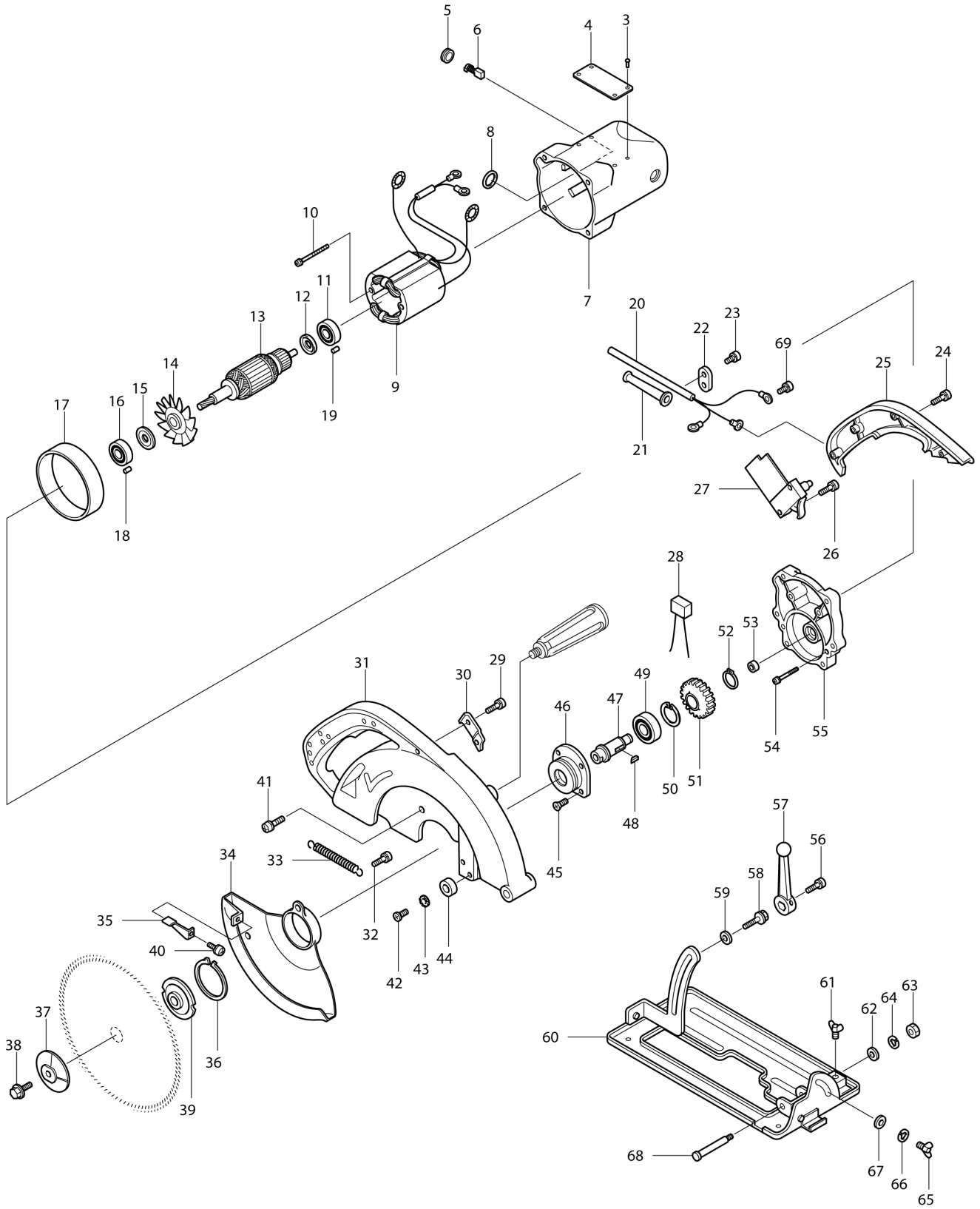
Diagram / Parts List

5201N

CIRCULAR SAW 260MM



(VN) 5201N / CIRCULAR SAW 260MM



VN	VIETNAM
-----------	----------------

5201N / CIRCULAR SAW 260MM

Item	Sub	Parts No.	Parts Description	Qty	I/C	E/C No.	Close No.	Remark
003-1		953106-2	RIVET 0-5	2				
004		815308-7	NAME PLATE 5201N	1				
005		643650-4	BRUSH HOLDER CAP 6.5-13.5	2			B0305	
005-1		643650-4	BRUSH HOLDER CAP 6.5-13.5	2	O	B0305		
006-1		181044-0	CARBON BRUSH CB-153	1			85070	
006-2		B-80329	CARBON BRUSH SET CB-153A	1	<	85070		
007		156600-5	MOTOR HOUSING	1				
	C10	643653-8	BRUSH HOLDER 6.5-13.5	2				
	C20	913206-0	SET SCREW M5X8	2				
	D10		INC. 19					
008		681002-1	INSULATION WASHER	2				
009C		524558-0	FIELD ASS'Y 220V	1				220V
	C10	654020-2	RING TERMINAL	2				
	C20	654502-4	CONNECTOR P-2	2				
010-1		911290-9	PAN HEAD SCREW M5X65	2				
011		211066-7	BALL BEARING 6200LLB	1				
012		213051-6	DUST SEAL 10	1				
013B		510007-3	ARMATURE ASS'Y 220V	1				220V
	D10		INC. 11,12,14,15,16					
014		241064-7	FAN 106	1				
015		213202-1	DUST SEAL 15	1				
016		211206-7	BALL BEARING 6202LLB	1				
017		343119-5	BAFFLE PLATE	1				
018		263005-3	RUBBER PIN 6	1				
019		263002-9	RUBBER PIN 4	1				
020T1		691346-1	POWER SUPPLY CORD 1.25-3-5.0	1				
021		682506-6	CORD GUARD 12-90	1				
022-1		687054-0	STRAIN RELIEF	1	X	49138		
023-1		911133-5	PAN HEAD SCREW M4X18	2	X	49138		
024		911151-3	PAN HEAD SCREW M4X28	3				
025		315158-5	HANDLE COVER F/LOCK	1				
026		911106-8	PAN HEAD SCREW M4X8	2				
027-1		651016-4	SWITCH HPAHR2-2	1	O	55297		
029		911106-8	PAN HEAD SCREW M4X8	2				
030		341540-2	LEAD COVER	1				
031-2		315744-2	BLADE CASE	1				
031-3		316697-8	BLADE CASE	1	S	49138		
032-1		251445-7	- FLAT HEAD SCREW M4	1				
033-1		231767-1	TENSION SPRING 5	1				
034-1		312533-6	SAFETY COVER	1				
035		342462-9	LEVER	1				
035-1		344966-7	LEVER	1	X	62354		
036		961252-7	RETAINING RING S-55	1				
037		224053-7	OUTER FLANGE 65	1				
038		251644-1	HEX. FLANGE HEAD BOLT M8X20	1				
038-1		265408-7	HEX. SOCKET HEAD BOLT M8X20	1	X	52019		
039		224181-8	INNER FLANGE 65	1				
040		911211-1	PAN HEAD SCREW M5X12	1				
041		911246-2	PAN HEAD SCREW M5X28	4				
042		251256-0	+ COUNTERSUNK HEAD SCREW M8X2	1				
043		943202-4	TOOTHED LOCK WASHER 8	1			D4781	
044		262007-6	RUBBER RING 8	1				
045		912116-8	COUNTERSUNK HEAD SCREW M4X12	4				
046		312530-2	BEARING BOX	1				
047		325183-8	SPINDLE	1				
048		254203-0	KEY 4	1				
049		211306-3	BALL BEARING 6204LLB	1				
050		962203-3	RETAINING RING R-47	1				
051		221188-5	HELICAL GEAR 54	1				
052		961060-6	RETAINING RING S-20	1				
053		212101-4	NEEDLE BEARING 1210	1				
054		911251-9	PAN HEAD SCREW M5X30	4				
055		157032-9	GEAR HOUSING	1				
	D10		INC. 18					
056		911207-2	PAN HEAD SCREW M5X10	1				

Interchange
O : Yes
X : No
< : the new part can be substituted for the current.
> : the current part can be substituted for the new.
S : Interchangeable as a set.

