



|    |         |
|----|---------|
| VN | VIETNAM |
|----|---------|

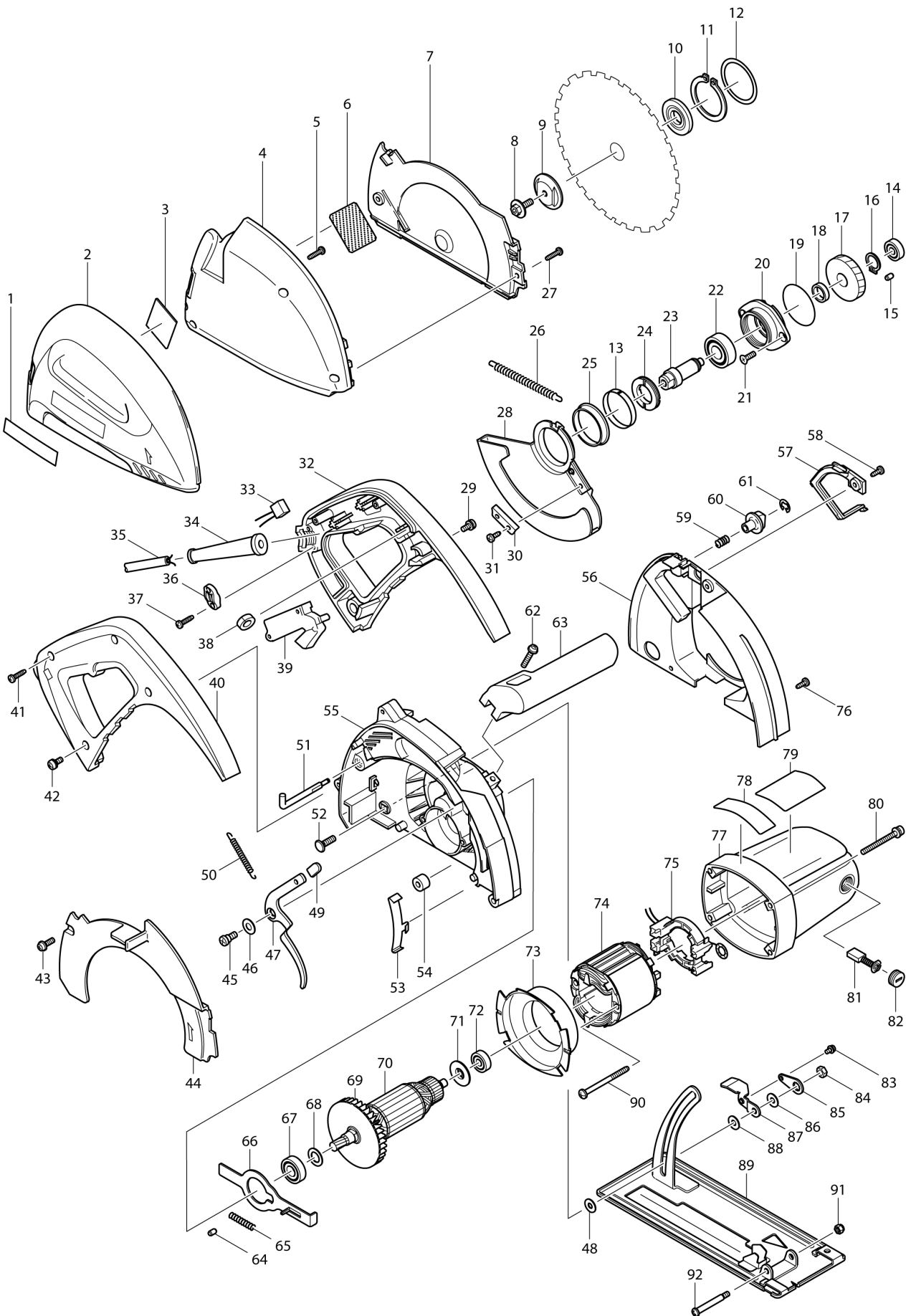
# Diagram / Parts List

**4131**

**METAL CUTTER 185MM**



(VN) 4131 / METAL CUTTER 185MM



|           |                |
|-----------|----------------|
| <b>VN</b> | <b>VIETNAM</b> |
|-----------|----------------|

### 4131 / METAL CUTTER 185MM

| Item  | Sub | Parts No. | Parts Description             | Qty | I/C | E/C No. | Close No. | Remark |
|-------|-----|-----------|-------------------------------|-----|-----|---------|-----------|--------|
| 001   |     | 819064-1  | MAKITA MARK                   | 1   |     |         |           |        |
| 002   |     | 183837-1  | DUST CASE COVER               | 1   |     |         |           |        |
|       | C10 | 810055-5  | CAUTION LABEL                 | 1   |     |         |           |        |
|       | D10 |           | INC. 1                        |     |     |         |           |        |
| 003   |     | 431005-3  | HEAT RESISTING GLASS          | 1   |     |         |           |        |
| 004   |     | 317776-5  | DUST CASE                     | 1   |     |         |           |        |
| 005   |     | 265995-6  | TAPPING SCREW 4X18            | 2   |     |         |           |        |
| 006   |     | 343760-4  | PUNCHING METAL COVER          | 1   |     |         |           |        |
| 007   |     | 317777-3  | DUST PLATE                    | 1   |     |         |           |        |
| 008-1 |     | 266458-5  | HEX.SOCKET HEX.BOLT M6X18     | 1   |     |         |           |        |
| 009   |     | 224366-6  | OUTER FLANGE 40               | 1   |     |         |           |        |
| 010   |     | 224370-5  | INNER FLANGE 40               | 1   |     |         |           |        |
| 011   |     | 961201-4  | RETAINING RING S-42           | 1   |     |         |           |        |
| 012   |     | 267784-5  | WASHER 42                     | 1   |     |         |           |        |
| 013   |     | 343759-9  | THICKNESS RING                | 1   |     |         |           |        |
| 014   |     | 211031-6  | BALL BEARING 608LLB           | 1   |     |         |           |        |
| 015   |     | 263002-9  | RUBBER PIN 4                  | 1   |     |         |           |        |
| 016   |     | 961055-9  | RETAINING RING S-15           | 1   |     |         |           |        |
| 017   |     | 226591-5  | HELICAL GEAR 48               | 1   |     |         |           |        |
| 018   |     | 257053-2  | RING 15                       | 1   |     |         |           |        |
| 019   |     | 213621-1  | O RING 46                     | 1   |     |         |           |        |
| 020   |     | 316579-4  | BEARING BOX                   | 1   |     |         |           |        |
| 021   |     | 251372-8  | + COUNTERSUNK HEAD SCREW M5X1 | 2   |     |         |           |        |
| 022   |     | 211228-7  | BALL BEARING 6202DDW          | 1   |     |         |           |        |
| 023   |     | 324475-2  | SPINDLE                       | 1   |     |         |           |        |
| 024   |     | 285807-7  | BEARING RETAINER 22-36        | 1   |     |         |           |        |
| 025   |     | 345422-0  | SPACER                        | 1   |     |         | A6034     |        |
| 025-1 |     | 346880-3  | SPACER                        | 1   | <   | A6034   |           |        |
| 026   |     | 231828-7  | TENSION SPRING 4              | 1   |     |         | A5529     |        |
| 026-1 |     | 231891-0  | TENSION SPRING 4              | 1   | <   | A5529   |           |        |
| 027   |     | 265995-6  | TAPPING SCREW 4X18            | 2   |     |         |           |        |
| 028   |     | 317775-7  | SAFETY COVER                  | 1   |     |         |           |        |
| 029   |     | 911213-7  | PAN HEAD SCREW M5X12          | 2   |     |         |           |        |
| 030   |     | 344944-7  | SUB PLATE                     | 1   |     |         |           |        |
| 031   |     | 266026-4  | TAPPING SCREW BIND CT 4X12    | 1   |     |         |           |        |
| 032-1 |     | 182648-1  | HANDLE SET                    | 1   |     |         |           |        |
|       | D10 |           | INC. 40                       |     |     |         |           |        |
| 034   |     | 682505-8  | CORD GUARD 10-90              | 1   |     |         |           |        |
| 035   |     | 691015-4  | POWER SUPPLY CORD 0.75-2-2.5  | 1   |     |         |           |        |
| 036   |     | 687053-2  | STRAIN RELIEF                 | 1   |     |         |           |        |
| 037   |     | 265995-6  | TAPPING SCREW 4X18            | 2   |     |         |           |        |
| 038   |     | 421492-4  | SPONGE RING                   | 1   |     |         |           |        |
| 039   |     | 651054-6  | SWITCH TG71C-2                | 1   |     |         |           |        |
| 040-1 |     | 182648-1  | HANDLE SET                    | 1   |     |         |           |        |
|       | D10 |           | INC. 32                       |     |     |         |           |        |
| 041   |     | 265995-6  | TAPPING SCREW 4X18            | 2   |     |         |           |        |
| 042   |     | 911213-7  | PAN HEAD SCREW M5X12          | 2   |     |         |           |        |
| 043   |     | 911223-4  | PAN HEAD SCREW M5X16          | 1   |     |         |           |        |
| 044   |     | 317778-1  | BLADE COVER                   | 1   |     |         |           |        |
| 045   |     | 251267-5  | + PAN HEAD SCREW M6           | 1   |     |         |           |        |
| 046   |     | 941201-0  | FLAT WASHER 8                 | 1   |     |         |           |        |
| 047   |     | 345421-2  | OPEN LEVER                    | 1   |     |         |           |        |
| 048   |     | 253783-3  | FLAT WASHER 6                 | 1   |     |         |           |        |
| 049-1 |     | 421903-9  | RUBBER CAP                    | 1   |     |         |           |        |
| 050   |     | 231823-7  | TENSION SPRING 4              | 1   |     |         |           |        |
| 051   |     | 324476-0  | HOOK                          | 1   |     |         |           |        |
| 052   |     | 266031-1  | CAP SQUARE NECK BOLT M6X20    | 1   |     |         |           |        |
| 053   |     | 343758-1  | PROTECTOR                     | 1   |     |         |           |        |
| 054   |     | 262511-5  | RUBBER SLEEVE 6               | 1   |     |         |           |        |
| 055   |     | 153924-0  | GEAR HOUSING COMPLETE         | 1   |     |         |           |        |
|       | D10 |           | INC. 15,64                    |     |     |         |           |        |
| 056   |     | 418612-9  | GEAR HOUSING COVER            | 1   |     |         |           |        |
| 057   |     | 418613-7  | LEAD COVER                    | 1   |     |         |           |        |
| 058   |     | 266026-4  | TAPPING SCREW BIND CT 4X12    | 1   |     |         |           |        |
| 059   |     | 231402-1  | COMPRESSION SPRING 7          | 1   |     |         |           |        |

Interchange  
O : Yes  
X : No  
< : the new part can be substituted for the current.  
> : the current part can be substituted for the new.  
S : Interchangeable as a set.

