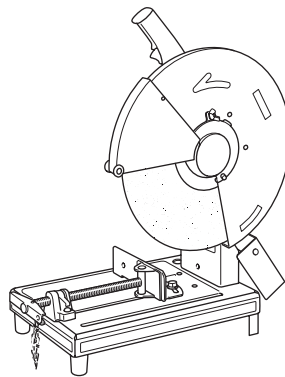




EN	Portable Cut-Off	INSTRUCTION MANUAL	5
ZHCN	型材切割机	使用说明书	10
ID	Pemotong Portabel	PETUNJUK PENGGUNAAN	15
MS	Pemotong Mudah Alih	MANUAL ARAHAN	20
VI	Máy Cắt Sắt Để Bàn Hoạt Động Bằng Động Cơ Điện	TÀI LIỆU HƯỚNG DẪN	25
TH	เครื่องตัดแบบพกพา	คู่มือการใช้งาน	30

2416S



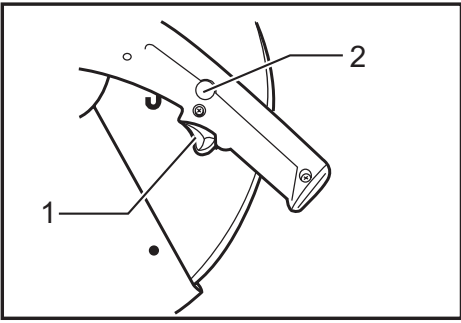


Fig.1

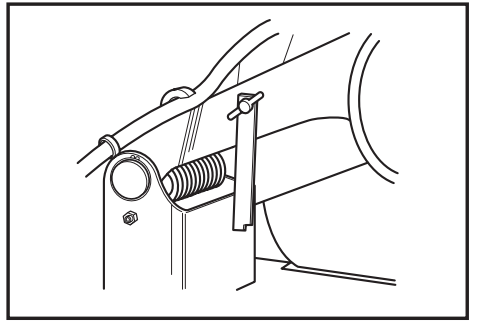


Fig.5

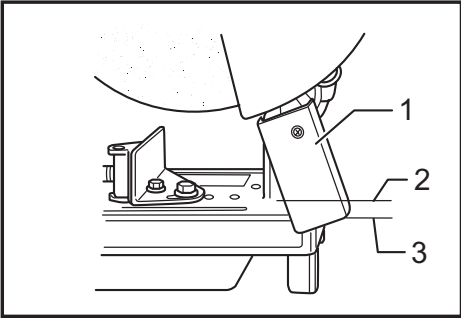


Fig.2

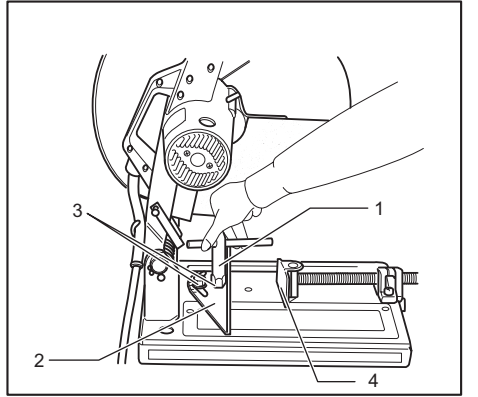


Fig.6

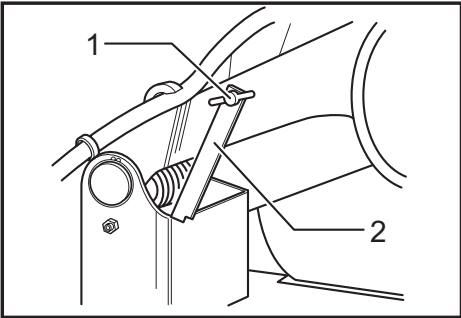


Fig.3

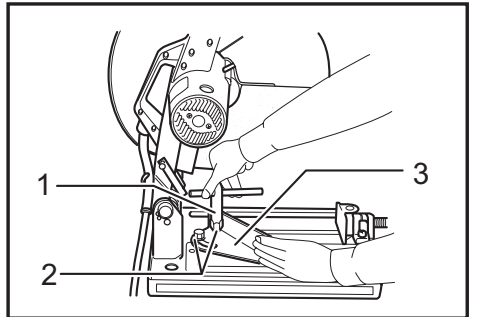


Fig.7

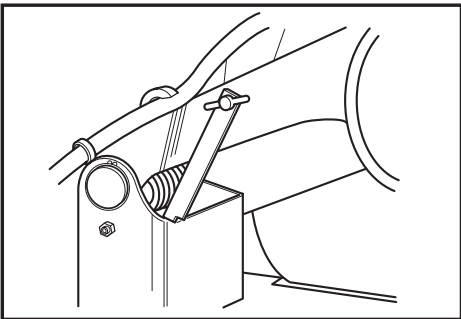


Fig.4

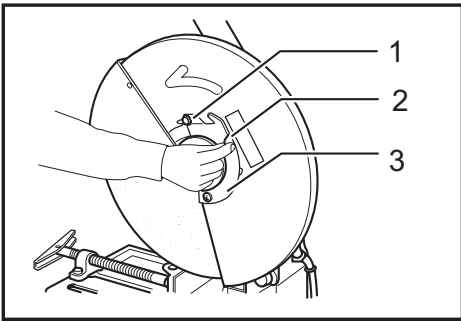


Fig.8

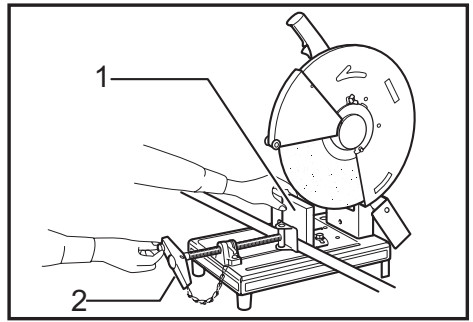


Fig.12

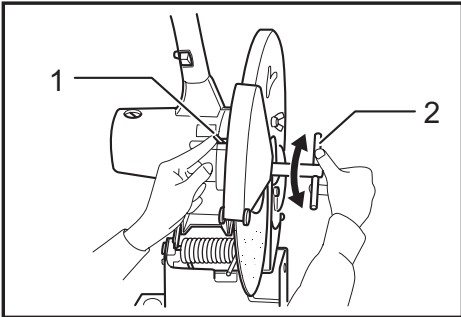


Fig.9

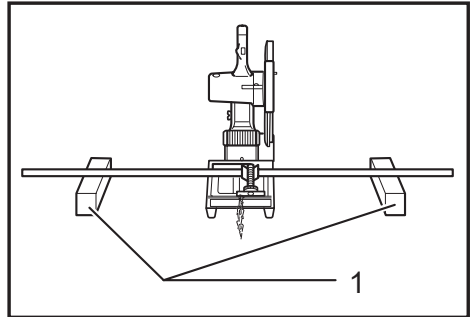


Fig.13

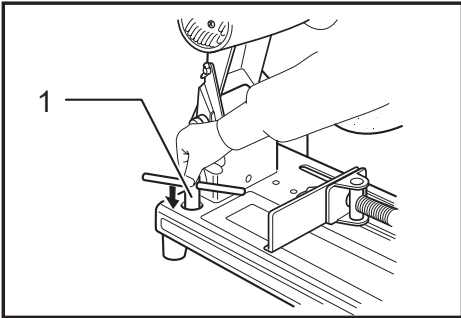


Fig.10

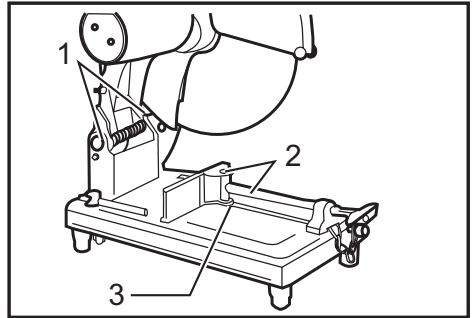


Fig.14

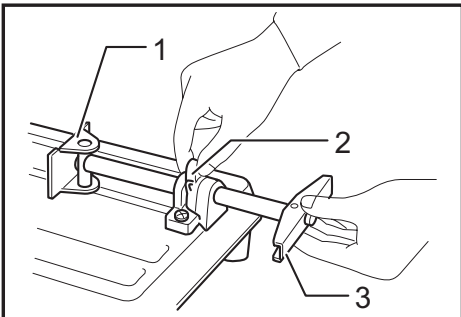


Fig.11

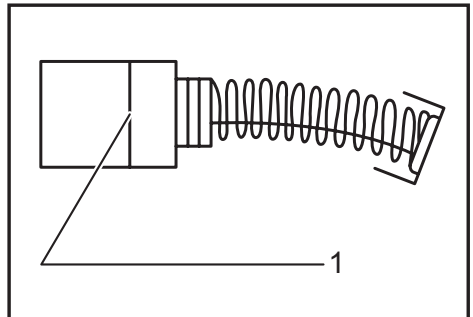


Fig.15

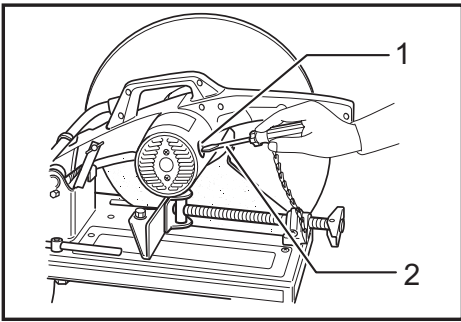


Fig.16

SPECIFICATIONS

Model	2416S
Wheel diameter	405 mm
Hole diameter	25.4 mm
Max. cutting capacities dia.	115 mm
No load speed (min ⁻¹)	2,300
Dimensions (L x W x H)	610 mm x 265 mm x 535 mm
Net weight	19.2kg
Safety class	Class I

- Due to our continuing program of research and development, the specifications herein are subject to change without notice.
- Specifications may differ from country to country.
- Weight according to EPTA-Procedure 01/2003

Symbols

The following show the symbols used for the equipment. Be sure that you understand their meaning before use.



Read instruction manual.



Only for EU countries
Do not dispose of electric equipment together with household waste material! In observance of European Directive 2002/96/EC on waste electric and electronic equipment and its implementation in accordance with national law, electric equipment that have reached the end of their life must be collected separately and returned to an environmentally compatible recycling facility.

Intended use

The tool is intended for cutting in ferrous materials with appropriate abrasive cut-off wheel. Follow all laws and regulations regarding dust and work area health and safety in your country.

Power supply

The tool should be connected only to a power supply of the same voltage as indicated on the nameplate, and can only be operated on single-phase AC supply. This tool should be grounded while in use to protect the operator from electric shock. Use only three-wire extension cords which have three-prong grounding-type plugs and three-pole receptacles which accept the tool's plug.

SAFETY INSTRUCTIONS

WARNING! When using electric tools, basic safety precautions, including the following, should always be followed to reduce the risk of fire, electric shock and personal injury. Read all these instructions before operating this product and save these instructions.

For safe operations:

1. **Keep work area clean.**
Cluttered areas and benches invite injuries.
2. **Consider work area environment.**
Do not expose power tools to rain. Do not use power tools in damp or wet locations. Keep work area well lit. Do not use power tools where there is risk to cause fire or explosion.
3. **Guard against electric shock.**
Avoid body contact with earthed or grounded surfaces (e.g. pipes, radiators, ranges, refrigerators).
4. **Keep children away.**
Do not let visitors touch the tool or extension cord. All visitors should be kept away from work area.
5. **Store idle tools.**
When not in use, tools should be stored in a dry, high or locked up place, out of reach of children.
6. **Do not force the tool.**
It will do the job better and safer at the rate for which it was intended.
7. **Use the right tool.**
Do not force small tools or attachments to do the job of a heavy duty tool. Do not use tools for purposes not intended; for example, do not use circular saws to cut tree limbs or logs.
8. **Dress properly.**
Do not wear loose clothing or jewellery, they can be caught in moving parts. Rubber gloves and non-skid footwear are recommended when working outdoors. Wear protecting hair covering to contain long hair.
9. **Use safety glasses and hearing protection.**
Also use face or dust mask if the cutting operation is dusty.
10. **Connect dust extraction equipment.**
If devices are provided for the connection of dust extraction and collection facilities ensure these are connected and properly used.
11. **Do not abuse the cord.**
Never carry the tool by the cord or yank it to disconnect it from the socket. Keep the cord away from heat, oil and sharp edges.

ADDITIONAL SAFETY RULES FOR TOOL

12. **Secure work.**
Use clamps or a vice to hold the work. It is safer than using your hand and it frees both hands to operate the tool.
 13. **Do not overreach.**
Keep proper footing and balance at all times.
 14. **Maintain tools with care.**
Keep cutting tools sharp and clean for better and safer performance. Follow instructions for lubrication and changing accessories. Inspect tool cord periodically and if damaged have it repaired by an authorized service facility. Inspect extension cords periodically and replace, if damaged. Keep handles dry, clean and free from oil and grease.
 15. **Disconnect tools.**
When not in use, before servicing and when changing accessories such as blades, bits and cutters.
 16. **Remove adjusting keys and wrenches.**
Form the habit of checking to see that keys and adjusting wrenches are removed from the tool before turning it on.
 17. **Avoid unintentional starting.**
Do not carry a plugged-in tool with a finger on the switch. Ensure switch is off when plugging in.
 18. **Use outdoor extension leads.**
When tool is used outdoors, use only extension cords intended for outdoor use.
 19. **Stay alert.**
Watch what you are doing. Use common sense. Do not operate tool when you are tired.
 20. **Check damaged parts.**
Before further use of the tool, a guard or other part that is damaged should be carefully checked to determine that it will operate properly and perform its intended function. Check for alignment of moving parts, free running of moving parts, breakage of parts, mounting and any other conditions that may affect its operation. A guard or other part that is damaged should be properly repaired or replaced by an authorized service center unless otherwise indicated in this instruction manual. Have defective switches replaced by an authorized service facility. Do not use the tool if the switch does not turn it on and off.
 21. **Warning.**
The use of any accessory or attachment, other than those recommended in this instruction manual or the catalog, may present a risk of personal injury.
 22. **Have your tool repaired by a qualified person.**
This electric tool is in accordance with the relevant safety requirements. Repairs should only be carried out by qualified persons using original spare parts, otherwise this may result in considerable danger to the user.
 23. **Use of power supply via an RCD with a rated residual current of 30 mA or less is always recommended.**
1. **Wear protective glasses. Also wear hearing protection during extended periods of operation.**
 2. **Use only wheels recommended by the manufacturer which have a maximum operating speed at least as high as "No Load RPM" marked on the tool's nameplate. Use only fiberglass-reinforced cut-off wheels.**
 3. **Check the wheel carefully for cracks or damage before operation. Replace cracked or damaged wheel immediately.**
 4. **Secure the wheel carefully.**
 5. **Use only flanges specified for this tool.**
 6. **Be careful not to damage the spindle, flanges (especially the installing surface) or bolt, or the wheel itself might break.**
 7. **KEEP GUARDS IN PLACE and in working order.**
 8. **Hold the handle firmly.**
 9. **Keep hands away from rotating parts.**
 10. **Make sure the wheel is not contacting the work-piece before the switch is turned on.**
 11. **Before using the tool on an actual workpiece, let it simply run for several minutes first. Watch for flutter or excessive vibration that might be caused by poor installation or a poorly balanced wheel.**
 12. **Watch out for flying sparks when operating. They can cause injury or ignite combustible materials.**
 13. **Remove material or debris from the area that might be ignited by sparks. Be sure that others are not in the path of the sparks. Keep a proper, charged fire extinguisher closely available.**
 14. **Use the cutting edge of the wheel only. Never use side surface.**
 15. **If the wheel stops during the operation, makes an odd noise or begins to vibrate, switch off the tool immediately.**
 16. **Always switch off and wait for the wheel to come to a complete stop before removing, securing workpiece, working vise, changing work position, angle or the wheel itself.**
 17. **Do not touch the workpiece immediately after operation; it is extremely hot and could burn your skin.**
 18. **Store wheels in a dry location only.**

SAVE THESE INSTRUCTIONS.

INSTALLATION

Securing cut-off saw

The cut-off saw may be bolted (2 bolts) down to a bench or floor using the bolt holes in the base. Do not secure the bolts too tightly.

FUNCTIONAL DESCRIPTION

⚠ CAUTION:

- Always be sure that the tool is switched off and unplugged before adjusting or checking function on the tool.

Switch action

⚠ CAUTION:

- Before plugging in the tool, always check to see that the switch trigger actuates properly and returns to the "OFF" position when released.

► Fig.1: 1. Switch trigger 2. Lock-off button

The lock-off button and the trigger in the handle must be pressed for the tool to be activated. You can stop the motor by releasing the trigger.

⚠ CAUTION:

- Be sure the switch operates properly. It should turn the tool on and return to the "off" position after being released.
- When not using the tool, remove the lock-off button. This prevents unauthorized operation.

Positioning the spark chute

► Fig.2: 1. Spark chute 2. Base top 3. Point A

To prevent sparks from flying around, raise the spark chute slightly so that point A will be below the base top indicated.

⚠ CAUTION:

- Be sure to adjust the spark chute as mentioned above before operation. Failure to do so will cause more sparks to fly around causing greater potential for injury or ignition of any combustible materials nearby.

Adjusting stopper plate

The stopper plate prevents the wheel from contacting the surface of the bench floor.

1. When the new wheel is installed, set the stopper plate as shown in the figure and tighten the thumb bolt.

► Fig.3: 1. Thumb bolt 2. Stopper plate

2. When the wheel wears down to below 355mm (14") in diameter, set the stopper plate as shown in the figure and tighten the thumb bolt.

► Fig.4

3. When the wheel wears down to below 305mm (12") in diameter, set the stopper plate as shown in the figure and tighten the thumb bolt.


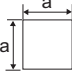
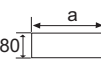
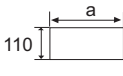

► Fig.5

Changing the width between vise and guide

► Fig.6: 1. Socket wrench 2. Guide 3. Hex bolt 4. Vise

Changing guide position to accommodate larger workpiece as shown, the socket wrench can be used to remove the hex bolts and move the guide. The following interval settings are possible:

0-170 mm (0 - 6-3/4")
60-230 mm (2-3/8" - 9")

Applicable wheel dimensions		405 mm (16") outer dia. X less than 4.5 mm (3/16") X 25.4 mm (1") inner dia.				
Wheel configuration						
Max. cutting capacity	90° cut off	115mm (4-1/2")	120 mm (4-3/4")	230 mm (9")	185 mm (7-1/4")	150 mm (5-7/8")
	45° cut off	115mm (4-1/2")	110 mm (4-3/8")	110 mm (4-3/8")	110 mm (4-3/8")	110 mm (4-3/8")

Setting the cutting angle

► Fig.7: 1. Socket wrench 2. Hex bolts 3. Guide

To change the cutting angle, loosen the hex bolts with the socket wrench as shown, then move the guide to the desired angle. At 60-230 mm (2-3/8" - 9") position, the guide cannot be angled to allow 45° cuts.

CAUTION: Tighten the hex bolts securely.

CAUTION: Do not operate the tool when the material is not firmly secured with the vise because of the cutting angle.

CAUTION:

- When installing the wheel, make sure that Makita mark on the wheel faces you on the outside.
- Use only Makita socket wrench to remove or install the wheel.

Storing socket wrench

► Fig.10: 1. Socket wrench

The socket wrench can be conveniently stored in the location as indicated.

ASSEMBLY

CAUTION:

- Always be sure that the tool is switched off and unplugged before carrying out any work on the tool.

Installing cut-off wheel

► Fig.8: 1. Thumb bolt 2. Knob 3. Center cap

1. To install a wheel, loosen the thumb bolt and lift up the center cap with the knob.
2. Press stopper in the direction of the arrow. Loosen the hex bolt with the socket wrench by turning it counterclockwise. Then remove the hex bolt, outer flange and wheel.

► Fig.9: 1. Stopper 2. Socket wrench

3. To install the wheel, follow the removal procedure in reverse. **BE SURE TO TIGHTEN THE HEX BOLT SECURELY.** Secure center cap carefully with thumb bolt.

Securing workpiece

► Fig.11: 1. Vise plate 2. Vise nut 3. Vise handle

By turning the vise handle counterclockwise and then flipping the vise nut to the left, the vise is released from the shaft threads and can be moved rapidly in and out. To grip workpieces, push the vise handle until the vise plate contacts the workpiece. Flip the vise nut to the right and then turn the vise handle clockwise to securely retain the workpiece.

CAUTION:

- Always set the vise nut to the right fully when securing the workpiece. Failure to do so may result in insufficient securing of the workpiece. This could cause the workpiece to be ejected or cause a dangerous breakage of the wheel.

When the cut-off wheel has worn down considerably, use a spacer block of sturdy, non-flammable material behind the workpiece as shown in the figure. You can more efficiently utilize the worn wheel by using the mid point on the periphery of the wheel to cut the workpiece.

► Fig.12: 1. Spacer block 2. Handle

Long workpieces must be supported by blocks of non-flammable material on either side so that it will be level with the base top.

► Fig.13: 1. Blocks

OPERATION

Hold the handle firmly. Switch on the tool and wait until the wheel attains full speed before lowering gently into the cut. When the wheel contacts the workpiece, gradually bear down on the handle to perform the cut. When the cut is completed, switch off the tool and **WAIT UNTIL THE WHEEL HAS COME TO A COMPLETE STOP** before returning the handle to the fully elevated position.

⚠ CAUTION:

- Proper handle pressure during cutting and maximum cutting efficiency can be determined by the amount of sparks that is produced while cutting. Your pressure on the handle should be adjusted to produce the maximum amount of sparks. Do not force the cut by applying excessive pressure on the handle. Reduced cutting efficiency, premature wheel wear, as well as, possible damage to the tool, cut-off wheel or workpiece may result.

MAINTENANCE

⚠ CAUTION:

- Always be sure that the tool is switched off and unplugged before attempting to perform inspection or maintenance.
- Never use gasoline, benzine, thinner, alcohol or the like. Discoloration, deformation or cracks may result.

Lubrication

► Fig.14

The following parts should be lubricated occasionally with machine oil:

1. Vise screw and turning parts.
2. Contact surface between motor housing and motor housing mounting plate.
3. Vise sliding surface.

Replacing carbon brushes

► Fig.15: 1. Limit mark

Remove and check the carbon brushes regularly. Replace when they wear down to the limit mark. Keep the carbon brushes clean and free to slip in the holders. Both carbon brushes should be replaced at the same time. Use only identical carbon brushes.

Use a screwdriver to remove the brush holder caps. Take out the worn carbon brushes, insert the new ones and secure the brush holder caps.

► Fig.16: 1. Brush holder cap 2. Screwdriver

To maintain product SAFETY and RELIABILITY, repairs, any other maintenance or adjustment should be performed by Makita Authorized Service Centers, always using Makita replacement parts.

OPTIONAL ACCESSORIES

⚠ CAUTION:

- These accessories or attachments are recommended for use with your Makita tool specified in this manual. The use of any other accessories or attachments might present a risk of injury to persons. Only use accessory or attachment for its stated purpose.

If you need any assistance for more details regarding these accessories, ask your local Makita Service Center.

- Abrasive cut-off wheels
- Socket wrench 17
- Lock off button

NOTE:

- Some items in the list may be included in the tool package as standard accessories. They may differ from country to country.

规格

型号	2416S
砂轮直径	405 mm
内孔直径	25.4 mm
最大切割能力 (直径)	115 mm
空载速度 (/min)	2,300
尺寸 (长 × 宽 × 高)	610 mm × 265 mm × 535 mm
净重	19.2kg
安全等级	等级I

- 由于研发计划将持续进行，生产者保留变更规格不另行通知之权利。
- 规格可能因销往国家之不同而异。
- 重量符合EPTA-Procedure 01/2003

符号

以下显示本设备使用的符号。在使用工具之前请务必理解其含义。



阅读使用说明书。



仅限于欧盟国家
请勿将电气设备与家庭普通废弃物一同丢弃！
请务必遵守欧洲关于废弃电子电气设备的2002/96/EC指令，根据法律法规执行。达到使用寿命的电气设备必须分类回收至符合环境保护规定的再循环机构。

预期用途

本工具配备合适的切割砂轮后可用于切割铁质材料。请遵循您所在国家关于灰尘和工作区域卫生及安全的法律法规。

电源

本工具只可连接电压与铭牌所示电压相同的电源，且仅可使用单相交流电源。本工具在使用期间应接地，以保护操作者免受电击。只能使用带有三芯接地插头的三芯延长线，以及适合本工具插头的三孔插座。

安全注意事项

警告！使用电动工具时，应始终遵守基本安全注意事项（包括以下内容），以降低火灾、触电和人身伤害风险。操作本产品前，请阅读这些注意事项并请保留此说明书。

为进行安全操作：

- 保持工作区域清洁。**
工作区域和工作台混乱可能导致人身伤害。
- 注意工作区域环境。**
请勿将电动工具暴露在雨水中。请勿将电动工具暴露在潮湿的环境中。保持工作区域照明情况良好。请勿在有火灾或爆炸风险的地点使用电动工具。
- 防止触电。**
请避免与接地的表面（如管子、散热器、炉灶和冰箱等）进行身体接触。
- 保持儿童远离。**
不要让访问者触摸工具或延长线。所有访问者必须保持远离工作区域。
- 存放闲置工具。**
不使用时，请将本工具放置在干燥的高处或加锁位置，避免儿童接触。
- 不要强力按压工具。**
使用工具时不可超出其设计额定值，这样才能更好、更安全地完成作业。
- 使用正确的工具。**
不要使用小型工具或装置来进行重型工具的工作。不要将工具用于设计用途以外的用途，例如，不要使用电动圆锯切割树枝或原木。
- 着装适当。**
请勿穿着宽松的衣服或佩戴首饰，其可能会被卷入运动部件。在室外工作时，建议您穿戴橡胶手套和防滑鞋。佩带保护头盔来保护长发。

9. **请使用安全眼镜和护耳装置。**
如果切割操作灰尘较多，还请使用面罩或防尘面罩。
10. **连接除尘设备。**
如果提供了与除尘和集尘设备连接用的装置，请确保将其正确连接和使用。
11. **请勿不当使用导线。**
切勿拖着导线移动工具，或拉导线拔出插座。避免使导线受热、沾染油脂和碰到尖锐的边缘。
12. **安全工作。**
请使用夹具或夹钳来固定工件。这要比用手固定更安全有效，并可解放双手来操作工具。
13. **操作时手不要伸得太长。**
操作时请双脚站稳，始终保持平衡。
14. **小心保养工具。**
保持切割工具锋利和清洁，以提高其性能和安全性。根据说明进行润滑和更换附件。定期检查工具导线，如有损坏，请交由授权服务机构进行维修。定期检查延长线，如有损坏请进行更换。保持把手干燥、清洁，无油污和润滑脂。
15. **断开工具电源。**
不使用时，维修前或更换锯片、起子头和切割机等附件时请断开电源。
16. **取下调节钥匙和扳手。**
养成在开启工具前检查钥匙和调节扳手是否已从工具上取下的习惯。
17. **避免意外启动。**
请勿在将手指放在开关上的情况下搬运已插电工具。插入电源时请确保开关已关闭。
18. **使用室外延长线。**
在室外使用工具时，仅可使用设计用于室外的延长线。
19. **保持警惕。**
注意您的操作。请运用常识。疲劳时请勿操作工具。
20. **检查受损部件。**
在进一步使用工具之前，应仔细检查保护罩或其他部件有无损坏，以确定工具是否可以正常运转。检查运动部件是否对齐或运动自如、部件是否破损、安装是否妥当以及其他可能会影响工具运行的情况。除非本手册另有声明，否则应对受损保护罩或其他部件进行修复或由授权维修中心进行更换。失灵的开关由授权的维修机构进行更换。如果工具的开关无法使工具开启和关闭，则请勿使用该工具。

21. **警告。**
除本手册或目录中推荐的附件或装置外，使用任何其他附件或装置都可能存在人身伤害风险。
22. **将工具交由有资格的人员维修。**
本电动工具符合相关安全要求。维修仅可由有资格的人员使用原装备件进行，否则可能会给用户造成巨大的危险。
23. **始终建议通过额定剩余电流为30 mA或以下的RCD来使用电源。**

工具的补充安全规则

1. **佩带护目镜。**长时间操作时还需佩带耳罩。
2. **仅使用制造商推荐的砂轮，其最大运行速度至少等于工具铭牌上标示的“空载RPM”。**仅可使用玻璃钢切割砂轮。
3. **操作之前请仔细检查砂轮上是否有裂缝或损坏。**立即更换有裂缝或损坏的砂轮。
4. **仔细固定砂轮。**
5. **请仅使用本工具指定的法兰。**
6. **请小心勿损坏主轴、法兰（尤其是安装表面）或螺栓，否则可能会造成砂轮破裂。**
7. **将保护罩安装到位，使其能正常发挥作用。**
8. **请牢握手柄。**
9. **手应远离旋转的部件。**
10. **打开开关前，请确认砂轮未与工件接触。**
11. **在实际的工件上使用工具之前，请先让工具空转片刻。**请注意，**颤振或过度振动可能表示安装不当或砂轮不平衡。**
12. **请注意运行时飞溅的火花。**火花可引起灼伤或点燃易燃材料。
13. **清除火花所及范围内的材料或碎片。**确保他人不在火花的所及范围内。在附近放置合适且充满的灭火器。
14. **仅使用砂轮的切割边缘。**切勿使用侧面。
15. **如果砂轮在运行中停止，发出异常噪音或开始振动，请立即关闭工具。**
16. **拆卸和固定工件、虎钳，改变工作位置、角度或砂轮本身前，务必关闭工具并等待砂轮完全停止。**
17. **操作之后，请勿立刻触摸工件；因为其可能会非常烫，导致烫伤皮肤。**
18. **仅将砂轮存放在干燥位置。**

请保留此说明书。

安装

固定切割锯

可以使用（2个）螺栓穿过基座上的螺栓孔，将切割锯固定在工作台或地板上。请勿将螺栓拧得过紧。

功能描述

⚠小心：

- 在调节或检查工具功能之前，请务必关闭工具电源并拔下电源插头。

开关操作

⚠小心：

- 插上工具电源插头之前，请务必确认开关扳机能够正常工作，松开时能回到“OFF”（关闭）位置。

► **图片1:** 1. 开关扳机 2. 锁止按钮

必须按下手柄上的锁止按钮和扳机以激活工具。可以释放扳机以停止电机。

⚠小心：

- 确保开关工作正常。应该启动工具，并在释放后返回“关闭”位置。
- 不使用工具时，请拆下锁止按钮。这样能够防止未经授权的操作。

放置消弧槽

► **图片2:** 1. 消弧槽 2. 基座顶部 3. A点

为了避免火花四处飞散，将消弧槽稍微提高，使A点低于显示的基座顶部。

⚠小心：

- 在操作前，确保如上所述调整消弧槽。否则，将会产生较多火花，火花飞散会导致更大的潜在危害或点燃附近可燃材料。

调整止动板

止动板可避免砂轮接触工作台面。

- 安装新砂轮时，如图所示安装止动板，然后将指旋螺栓拧紧。

► **图片3:** 1. 指旋螺栓 2. 止动板

- 当砂轮磨损至直径小于355 mm（14”）时，如图所示安装止动板，然后将指旋螺栓拧紧。

► **图片4**


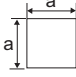
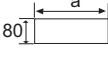
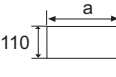

- 当砂轮磨损至直径小于305 mm（12”）时，如图所示安装止动板，然后将指旋螺栓拧紧。

► **图片5**

改变虎钳和导板的间距

- **图片6:** 1. 套筒扳手 2. 导板 3. 六角螺栓 4. 虎钳

如图所示，改变导板位置，从而能够装入更大的工件，可以使用套筒扳手拧下六角螺栓，然后拆下导板。可以设置以下间距：
0-170 mm (0 - 6-3/4")
60-230 mm (2-3/8" - 9")

适用砂轮尺寸		405 mm (16") 外直径 X 小于4.5 mm (3/16") X 25.4 mm (1") 内直径				
砂轮结构						
最大切割能力	90° 切割	115 mm (4-1/2")	120 mm (4-3/4")	230 mm (9")	185 mm (7-1/4")	150 mm (5-7/8")
	45° 切割	115 mm (4-1/2")	110 mm (4-3/8")	110 mm (4-3/8")	110 mm (4-3/8")	110 mm (4-3/8")

设置切割角度

► **图片7:** 1. 套筒扳手 2. 六角螺栓 3. 导板
若要改变切割角度，如图所示，先使用套筒扳手拧松六角螺栓，然后将导板移至所需角度。在60-230 mm (2-3/8" - 9") 位置时，无法调整导板角度进行45°切割。

小心： 牢固拧紧六角螺栓。

小心： 因切割角度导致虎钳未牢固固定材料时，请勿操作工具。

装配

小心：

- 对工具进行任何操作前，请务必确认工具已关闭且已拔下电源插头。

安装切割砂轮

- **图片8:** 1. 指旋螺栓 2. 旋钮 3. 中盖
- 安装砂轮时，先松开指旋螺栓，使用旋钮升起中盖。
 - 朝箭头方向按下止动器。使用套筒扳手，逆时针转动拧松六角螺栓。然后拆下六角螺栓、外法兰盘和砂轮。
- **图片9:** 1. 止动器 2. 套筒扳手
- 安装砂轮时，可按与拆卸时相反的步骤进行。请务必拧紧六角螺栓。使用指旋螺栓，将中盖小心拧紧。

小心：

- 安装砂轮时，确保砂轮外侧上的Makita标记朝向你。
- 请仅使用Makita（牧田）套筒扳手来拆卸或安装砂轮。

存放套筒扳手

- **图片10:** 1. 套筒扳手

套筒扳手可方便地放置在如图所示的位置。

固定工件

- **图片11:** 1. 虎钳板 2. 虎钳螺母 3. 虎钳手柄

通过逆时针旋转虎钳手柄，然后将虎钳螺母拨向左边，可将虎钳从轴螺纹中松开，并可快速移入和移出。要夹住工件，请推动虎钳手柄，直至虎钳板与工件接触。将虎钳螺母拨向右侧，然后顺时针旋转虎钳手柄，以紧固工件。

小心：

- 固定工件时，请务必完全向右设置虎钳螺母。否则，可能无法牢固固定工件。这可能会导致工件弹出或造成砂轮严重破损。

当切割砂轮已磨损到相当程度时，请按如图所示，在工件后面垫上用结实的不可燃材料制成的隔块。您可以使用砂轮圆周上的中线部位以更有效地利用磨损砂轮来切割工件。

- **图片12:** 1. 隔块 2. 手柄

对于较长的工件，必须使用不可燃材料的垫块来支撑两端以使之与工具基座上表面齐平。

► **图片13: 1. 垫块**

操作

请牢握手柄。打开工具开关，等砂轮转速达到全速时，再轻轻下移砂轮开始切割。当砂轮与工件接触时，逐渐增加手柄压力以进行切割。切割完成后，关闭工具电源开关，待砂轮完全停止运转后，将手柄放回充分抬起的位置。

⚠小心:

- 在切割过程中，可通过飞溅的火花量来判断手柄压力是否合适以及是否达到最大切割效率。应该调整在手柄上施加的压力，以产生大量的火花。请勿过度按压手柄进行切割。否则可能会降低切割效率、过早磨损砂轮以及造成工具、切割砂轮或工件损坏。

保养

⚠小心:

- 检查或保养工具之前，请务必关闭工具电源并拔下插头。
- 切勿使用汽油、苯、稀释剂、酒精或类似物品清洁工具。否则可能会导致工具变色、变形或出现裂缝。

润滑

► **图片14**

应使用机油偶尔对以下部件进行润滑：

1. 虎钳螺丝和转动部件。
2. 电机外壳和电机外壳安装板的接触面。
3. 虎钳滑动面。

更换碳刷

► **图片15: 1. 界限磨耗线**

定期拆下碳刷进行检查。在碳刷磨损到界限磨耗线时进行更换。请保持碳刷清洁并使其在碳刷夹内能自由滑动。两个碳刷应同时更换。请仅使用相同的碳刷。

使用螺丝刀拆下碳刷夹盖。取出已磨损的碳刷，插入新的碳刷，然后紧固碳刷夹盖。

► **图片16: 1. 碳刷夹盖 2. 螺丝刀**

为了保证产品的安全性与可靠性，维修、任何其他维修保养或调节需由Makita（牧田）授权的维修服务中心完成。务必使用Makita（牧田）的替换部件。

选购附件

⚠小心:

- 这些附件或装置专用于本说明书所列的Makita（牧田）工具。使用其他附件或装置可能会存在人身伤害风险。仅可将附件或装置用于规定目的。

如您需要了解更多关于这些选购附件的信息，请咨询当地的Makita（牧田）维修服务中心。

- 切割砂轮
- 17号套筒扳手
- 锁止按钮

注:

- 本列表中的一些部件可能作为标准配件包含于工具包装内。它们可能因销往国家之不同而异。

SPEKIFIKASI

Model	2416S
Diameter roda	405 mm
Diameter lubang	25,4 mm
Diameter kapasitas pemotongan maks.	115 mm
Kecepatan tanpa beban (min ⁻¹)	2.300
Dimensi (P x L x T)	610 mm x 265 mm x 535 mm
Berat bersih	19,2kg
Kelas keamanan	Kelas I

- Karena kami terus melakukan program penelitian dan pengembangan, spesifikasi yang disebutkan di sini dapat berubah tanpa pemberitahuan.
- Spesifikasi dapat berbeda di setiap negara.
- Berat menurut Prosedur EPTA 01/2003

Simbol

Berikut ini adalah simbol-simbol yang digunakan pada peralatan ini. Pastikan Anda memahami arti masing-masing simbol sebelum menggunakan alat.



Baca petunjuk penggunaan.



Hanya untuk negara EU
 Jangan membuang peralatan listrik bersama dengan material limbah rumah tangga!
 Dengan memerhatikan Petunjuk Eropa 2002/96/EC tentang limbah peralatan listrik dan elektronik serta pelaksanaannya sesuai dengan ketentuan hukum nasional, peralatan listrik yang telah habis masa pakainya harus dikumpulkan secara terpisah dan dikembalikan ke fasilitas daur ulang yang kompatibel dengan lingkungan.

Tujuan penggunaan

Penggunaan Mesin ini dirancang untuk memotong bahan besi dengan roda pemotong abrasif yang tepat. Patuhi semua undang-undang dan peraturan tentang kesehatan dan keselamatan yang berkaitan dengan debu dan tempat kerja di negara Anda.

Pasokan daya

Pengisap harus terhubung dengan pasokan daya listrik yang bertegangan sama dengan yang tertera pada pelat nama, dan hanya dapat dijalankan dengan listrik AC fase tunggal. Pengisap ini harus terarde ketika digunakan untuk melindungi operator dari sengatan listrik. Gunakan hanya kabel ekstensi tigakawat yang mempunyai steker tipe pengardean tiga-kaki dan stopkontak tiga-kutub yang bisa dimasuki steker pengisap.

PETUNJUK KESELAMATAN

PERINGATAN! Saat menggunakan mesin-mesin listrik, tindakan kewaspadaan keselamatan dasar yang meliputi hal-hal berikut ini, harus selalu dipatuhi untuk mengurangi risiko kebakaran, sengatan listrik, dan cedera. **Baca semua petunjuk ini sebelum menggunakan mesin dan simpanlah petunjuk ini.**

Agar aman penggunaannya:

1. **Jaga agar tempat kerja selalu bersih.**
Tempat dan meja kerja yang berantakan mengundang kecelakaan.
2. **Perhatikan lingkungan tempat kerja.**
Jangan membiarkan mesin listrik kehujanan. Jangan gunakan mesin listrik di lokasi yang lembap dan basah. Pastikan tempat kerja berpenerangan cukup. Jangan gunakan mesin listrik bila terdapat risiko penyebab kebakaran dan terjadinya ledakan.
3. **Pelindungan terhadap sengatan listrik.**
Hindari sentuhan tubuh dengan permukaan berarde atau yang dibumikan (misalnya pipa, radiator, kompor, kulkas).
4. **Jauhkan anak-anak dari tempat kerja.**
Jangan biarkan orang yang berkunjung menyentuh mesin atau kabel ekstensi. Semua orang yang berada di sekitar harus dijauhkan dari tempat kerja.
5. **Simpan mesin saat tidak digunakan.**
Saat tidak digunakan, mesin harus disimpan di tempat yang kering dan tinggi atau terkunci, jauh dari jangkauan anak-anak.
6. **Jangan memaksa mesin listrik.**
Mesin akan lebih baik dan lebih aman digunakan jika sesuai peruntukannya.

7. **Gunakan mesin yang tepat.**
Jangan memaksa mesin atau perangkat tambahan yang kecil untuk digunakan dalam pekerjaan yang berat. Jangan gunakan mesin untuk tujuan yang tidak sesuai kegunaannya; misalnya: menggunakan gergaji bundar untuk memotong cabang atau batang pohon.
8. **Kenakan pakaian dengan baik.**
Jangan memakai pakaian longgar atau perhiasan, karena bisa terjebak oleh bagian yang berputar. Dianjurkan untuk menggunakan sarung tangan karet atau sepatu anti-selip saat bekerja di luar ruangan. Kenakan penutup rambut untuk melindungi rambut yang panjang.
9. **Gunakan kacamata pengaman dan pelindung telinga.**
Selalu kenakan pelindung muka atau masker debu jika operasi pemotongannya berdebu.
10. **Hubungkan peralatan pengumpul debu.**
Jika tersedia fasilitas untuk mengisap dan mengumpulkan debu, pastikan fasilitas tersebut terhubung listrik dan digunakan dengan baik.
11. **Jangan menyalahgunakan kabel.**
Jangan sekali-kali membawa mesin dengan memegang kabelnya atau menarik kabel untuk melepaskannya dari soket. Jauhkan kabel dari panas, minyak dan tepian tajam.
12. **Pekerjaan yang kukuh.**
Gunakan penjepit atau ragum untuk menahan benda kerja. Hal tersebut lebih aman dibanding menggunakan tangan Anda dan membebaskan kedua tangan untuk menjalankan mesin.
13. **Jangan meraih terlalu jauh.**
Selalu jagalah pijakan dan keseimbangan.
14. **Rawatlah mesin dengan baik.**
Jaga agar mesin pemotong tetap tajam dan bersih untuk mendapatkan kinerja yang lebih baik dan aman. Patuhi petunjuk pelumasan dan penggantian aksesoris. Periksa kabel mesin secara berkala dan jika rusak perbaiki oleh fasilitas layanan resmi. Periksa kabel ekstensi secara berkala dan ganti jika rusak. Jagalah agar pegangan kering, bersih, serta bebas dari minyak dan gemuk.
15. **Cabut steker mesin.**
Saat tidak digunakan, sebelum memperbaiki atau saat mengganti aksesoris seperti mata pisau, mata mesin dan alat potong.
16. **Lepas kunci penyatel dan kunci pas.**
Biasakan untuk memeriksa apakah kunci dan kunci pas penyatel dilepas dari mesin sebelum menyalakannya.
17. **Hindari penyalaaan yang tidak disengaja.**
Jangan membawa mesin dengan posisi jari berada pada sakelarnya. Pastikan sakelar dalam kondisi mati saat memasukkan steker.
18. **Gunakan kabel ekstensi untuk luar ruangan.**
Saat mesin digunakan di luar ruangan, gunakan hanya kabel ekstensi untuk penggunaan luar ruangan.
19. **Jaga kewaspadaan.**
Perhatikan pekerjaan Anda. Gunakan akal sehat. Jangan menggunakan mesin saat Anda lelah.
20. **Periksa bagian yang rusak.**
Sebelum terus menggunakan mesin, pelindung dan bagian lainnya yang rusak harus diperiksa secara cermat untuk menentukan apakah mesin akan bekerja dengan baik dan berfungsi sesuai yang diharapkan. Periksa kesejajaran bagian yang berputar, bebasnya gerakan bagian yang berputar, kerusakan komponen, kondisi pemasangan dan lainnya yang bisa memengaruhi kerja mesin. Pelindung atau bagian lain yang rusak harus diperbaiki dengan tepat atau diganti oleh pusat layanan resmi kecuali jika ditunjukkan dalam petunjuk penggunaan ini. Ganti sakelar-sakelar yang rusak oleh fasilitas layanan resmi. Jangan gunakan mesin jika sakelar tidak dapat menyalakan dan mematikan mesin.
21. **Peringatan.**
Penggunaan aksesoris atau perangkat tambahan apa pun, selain yang dianjurkan dalam petunjuk penggunaan ini atau dalam katalog, bisa menimbulkan risiko cedera.
22. **Perbaiki mesin Anda oleh orang yang berkualifikasi.**
Mesin listrik ini telah sesuai persyaratan keselamatan yang terkait. Perbaikan harus dilakukan hanya oleh orang yang berkualifikasi dengan menggunakan suku cadang asli, bila tidak, akan mengakibatkan bahaya yang cukup besar bagi pengguna.
23. **Penggunaan pasokan daya melalui RCD dengan kapasitas arus sisa 30 mA atau kurang selalu dianjurkan.**

ATURAN KESELAMATAN TAMBAHAN UNTUK MESIN

1. **Gunakan kaca mata pelindung. Juga, gunakan pelindung telinga selama penggunaan terus-menerus.**
2. **Jangan gunakan roda selain yang direkomendasikan oleh produsen, yaitu roda yang memiliki kecepatan pengoperasian maksimal setidaknya sebesar "RPM Tanpa Beban" yang tertera pada label nama mesin. Gunakan hanya roda pemotong tempaan fiberglass.**
3. **Sebelum dioperasikan, periksa roda dengan saksama untuk memastikan tidak ada bagian yang retak atau rusak. Segera ganti roda yang retak atau rusak.**
4. **Pasang roda dengan saksama.**
5. **Gunakan hanya flensa yang ditentukan untuk mesin ini.**
6. **Hati-hati (jangan sampai merusak spindel, flensa (terutama permukaan pemasangan) atau bautnya, karena rodanya mungkin saja ikut rusak.**
7. **JAGA AGAR PELINDUNG SELALU TERPASANG DI TEMPATNYA dan berfungsi dengan baik.**
8. **Genggam pegangan mesin kuat-kuat.**
9. **Jauhkan tangan dari bagian yang berputar.**
10. **Pastikan bahwa roda tidak menyentuh benda kerja sebelum sakelar dinyalakan.**

11. **Sebelum menggunakan mesin pada benda kerja yang sebenarnya, jalankan terlebih dahulu mesin selama beberapa menit. Waspada! guncangan atau getaran berlebihan yang mungkin disebabkan oleh pemasangan yang kurang baik atau roda yang kurang seimbang.**
12. **Waspada! percikan api yang beterbangan saat pengoperasian. Percikan api tersebut dapat menyebabkan cedera atau menyulut bahan-bahan yang mudah terbakar.**
13. **Keluarkan bahan atau serpihan dari area yang mungkin tersulut oleh percikan api. Jauhkan orang lain dari jangkauan percikan api. Pastikan tersedia pemadam api dalam kondisi memadai dan terisi penuh di sekitar tempat kerja Anda.**
14. **Gunakan hanya tepi pemotong pada roda saja. Jangan pernah gunakan permukaan samping.**
15. **Jika roda berhenti di tengah-tengah pengoperasian, mengeluarkan suara aneh atau mulai bergetar, segera matikan mesin.**
16. **Selalu matikan mesin dan tunggu hingga roda benar-benar berhenti sebelum Anda melepas, mengencangkan benda kerja, menggunakan ragum, mengubah posisi kerja, sudut, atau roda itu sendiri.**
17. **Jangan menyentuh benda kerja segera setelah pengoperasian; suhunya sangat panas dan dapat membakar kulit Anda.**
18. **Roda harus disimpan di tempat kering.**

SIMPAN PETUNJUK INI.

PEMASANGAN

Mengencangkan gergaji pemotong

Gergaji pemotong dapat dikencangkan dengan baut (2 baut) ke meja atau lantai menggunakan lubang baut diudukannya. Jangan mengencangkan baut terlalu kuat.

DESKRIPSI FUNGSI

⚠️ PERHATIAN:

- Selalu pastikan bahwa mesin dalam keadaan mati dan steker tercabut sebelum menyetel atau memeriksa kerja mesin.

Kerja sakelar

⚠️ PERHATIAN:

- Sebelum memasukkan steker, selalu pastikan pelatuk sakelar berfungsi dengan baik dan kembali ke posisi "OFF" saat dilepas.

► **Gbr.1:** 1. Pelatuk sakelar 2. Tombol pengunci

Tombol pengunci dan pelatuk pada pegangan harus ditekan agar mesin aktif. Anda dapat menghentikan motor dengan melepaskan pelatuk.

⚠️ PERHATIAN:

- Pastikan sakelar beroperasi dengan benar. Sakelar harus menghidupkan mesin dan kembali ke posisi "off" setelah dilepaskan.
- Bila mesin tidak digunakan, lepas tombol pengunci. Hal ini mencegah dilakukannya pengoperasian tanpa izin.

Memposisikan talang percikan

► **Gbr.2:** 1. Talang percikan 2. Bagian atas dudukan 3. Titik A

Untuk mencegah percikan api beterbangan, angkat talang percikan sedikit sehingga titik A berada di bawah bagian atas dudukan seperti yang ditunjukkan pada gambar.

⚠️ PERHATIAN:

- Pastikan untuk menyetel talang percikan seperti yang dijelaskan di atas sebelum memulai pengoperasian. Jika tidak dilakukan, banyak percikan akan beterbangan sehingga menyebabkan meningkatnya potensi cedera atau terbakarnya bahan mudah terbakar yang berada di dekatnya.

Menyetel pelat penahan


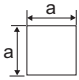
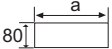
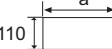

Pelat penahan mencegah roda agar tidak menyentuh permukaan lantai meja kerja.

1. Ketika roda baru sudah terpasang, atur pelat penahan seperti yang ditunjukkan pada gambar, lalu kencangkan baut sayap.
- **Gbr.3:** 1. Baut sayap 2. Pelat penahan
2. Ketika roda aus hingga di bawah diameter 355mm (14"), atur pelat penahan seperti yang ditunjukkan pada gambar, lalu kencangkan baut sayap.
- **Gbr.4**
3. Ketika roda aus hingga di bawah diameter 305mm (12"), atur pelat penahan seperti yang ditunjukkan pada gambar, lalu kencangkan baut sayap.
- **Gbr.5**

Mengubah lebar antara ragum dan pemandu

- **Gbr.6:** 1. Kunci soket 2. Pemandu 3. Baut kepala segi enam 4. Ragum

Mengubah posisi pemandu untuk mengakomodasi benda kerja yang lebih besar seperti yang ditunjukkan, kunci soket dapat digunakan untuk melepaskan baut kepala segi enam dan memindahkan pemandu. Pengaturan interval berikut dimungkinkan:
0-170 mm (0 - 6-3/4")
60-230 mm (2-3/8" - 9")

Dimensi roda yang berlaku		Diameter luar 405 mm (16") X diameter dalam kurang dari 4,5 mm (3/16") X 25,4 mm (1").				
Konfigurasi roda						
Kapasitas pemotongan maks.	Potongan 90°	115 mm (4-1/2")	120 mm (4-3/4")	230 mm (9")	185 mm (7-1/4")	150 mm (5-7/8")
	Potongan 45°	115 mm (4-1/2")	110 mm (4-3/8")	110 mm (4-3/8")	110 mm (4-3/8")	110 mm (4-3/8")

Mengatur sudut pemotongan

- **Gbr.7:** 1. Kunci soket 2. Baut kepala segi enam 3. Pemandu

Untuk mengubah sudut pemotongan, kendurkan baut kepala segi enam dengan kunci soket seperti yang ditunjukkan, kemudian gerakkan pemandu ke sudut yang diinginkan. Pada posisi 60-230 mm (2-3/8" - 9"), pemandu tidak boleh miring untuk memungkinkan pemotongan 45°.

⚠PERHATIAN: Kencangkan baut kepala segi enam kuat-kuat.

⚠PERHATIAN: Jangan gunakan mesin apabila material tidak terpasang kuat dengan ragum karena sudut pemotongan.

3. Untuk memasang roda, ikuti prosedur pelepasan dengan urutan terbalik. **PASTIKAN UNTUK MENGENCANGKAN BAUT KEPALA SEGI ENAM DENGAN KUAT.** Kencangkan penutup tengah secara perlahan dengan baut sayap.

⚠PERHATIAN:

- Saat memasang roda, pastikan tanda Makita pada roda menghadap Anda di sisi luar.
- Hanya gunakan kunci soket Makita untuk melepas atau memasang roda.

Menyimpan kunci soket

- **Gbr.10:** 1. Kunci soket

Kunci soket dapat disimpan dengan mudah di lokasi seperti yang ditunjukkan pada gambar.

Mengencangkan benda kerja

- **Gbr.11:** 1. Pelat ragum 2. Mur ragum 3. Pegangan ragum

Dengan memutar pegangan ragum berlawanan arah jarum jam, lalu membalikkan mur ragum ke arah kiri, ragum akan terlepas dari ulir poros dan dapat langsung dimasukkan atau dikeluarkan. Untuk menjepit benda kerja, tekan pegangan ragum hingga pelat ragum bersentuhan dengan benda kerja. Balik mur ragum ke arah kanan, lalu putar pegangan ragum searah jarum jam untuk menahan benda kerja.

⚠PERHATIAN:

- Selalu atur mur ragum ke kanan sepenuhnya untuk mengencangkan benda kerja. Kelalaian dalam melakukannya dapat mengakibatkan kurang kencangnya benda kerja. Hal ini dapat mengakibatkan benda kerja terlepas atau kerusakan yang berbahaya pada roda.

PERAKITAN

⚠PERHATIAN:

- Pastikan bahwa mesin dalam keadaan mati dan steker tercabut sebelum melakukan pekerjaan apa pun pada mesin.

Memasang roda pemotong

- **Gbr.8:** 1. Baut sayap 2. Kenop 3. Penutup tengah

1. Untuk memasang roda, kendurkan baut sayap, lalu angkat penutup tengah dengan kenop.
2. Tekan penahan sesuai arah panah. Kendurkan baut kepala segi enam menggunakan kunci soket dengan memutarnya berlawanan arah jarum jam. Lalu lepas baut kepala segi enam, flensa bagian luar, dan roda.

- **Gbr.9:** 1. Penahan 2. Kunci soket

Ketika roda pemotong sudah sangat menurun kinerjanya, letakkan balok penganjal dari material yang kokoh dan tidak mudah terbakar di belakang benda kerja sebagaimana ditunjukkan pada gambar. Anda dapat menggunakan roda berkinerja rendah secara lebih efisien dengan menggunakan titik tengah pada pinggir roda untuk memotong benda kerja.

► **Gbr.12:** 1. Balok penganjal 2. Pegangan

Benda kerja panjang harus ditopang oleh balok dari material yang tidak mudah terbakar di kedua sisinya sehingga sejajar dengan bagian atas dudukan.

► **Gbr.13:** 1. Balok

PENGOPERASIAN

Genggam pegangan mesin kuat-kuat. Nyalakan mesin dan tunggu sampai rodanya mencapai kecepatan penuh sebelum Anda menurunkannya untuk memotong. Ketika roda bersentuhan dengan benda kerja, secara bertahap berikan tekanan pada pegangan untuk melakukan pemotongan. Saat pemotongan selesai, matikan mesin dan TUNGGU SAMPAI RODA BENAR-BENAR BERHENTI sebelum mengembalikan pegangan ke posisi naik sepenuhnya.

⚠PERHATIAN:

- Tekanan yang tepat dari tangan selama pemotongan dan efisiensi pemotongan maksimal dapat dinilai dari banyaknya percikan api yang keluar saat pemotongan. Tekanan yang Anda berikan ke pegangan harus disesuaikan untuk menghasilkan jumlah percikan maksimum. Jangan memotong dengan tekanan yang berlebihan pada pegangan. Jika tidak, hal ini dapat mengakibatkan efisiensi yang rendah pada pemotongan, masa pakai yang terlalu singkat, serta kemungkinan rusak pada mesin, roda pemotong atau benda kerja.

PERAWATAN

⚠PERHATIAN:

- Selalu pastikan bahwa mesin dimatikan dan steker dicabut sebelum melakukan pemeriksaan atau perawatan.
- Jangan sekali-kali menggunakan benzena, tiner, alkohol, atau bahan sejenisnya. Penggunaan bahan tersebut dapat menyebabkan perubahan warna, perubahan bentuk, atau timbulnya retakan.

Pelumasan

► **Gbr.14**

Bagian berikut harus dilumasi secara berkala dengan oli mesin:

1. Sekrup ragum dan bagian yang berputar.
2. Permukaan yang bersentuhan antara rumah motor dan pelat pemasangan rumah motor.
3. Permukaan geser ragum.

Mengganti sikat karbon

► **Gbr.15:** 1. Tanda batas

Lepas dan periksa sikat karbon secara teratur. Ganti ketika aus sampai tanda batas. Jaga agar sikat karbon tetap bersih dan tidak bergeser dari penahan. Kedua sikat karbon harus diganti pada waktu yang sama.

Hanya gunakan sikat karbon yang sama.

Gunakan obeng untuk melepas tutup tempat sikat. Tarik keluar sikat karbon yang aus, masukkan yang baru dan pasang tutup tempat sikat.

► **Gbr.16:** 1. Tutup tempat sikat 2. Obeng

Untuk menjaga KEAMANAN dan KEANDALAN produk, perbaikan, perawatan lain, atau penyetelan harus dilakukan oleh Pusat Layanan Resmi Makita dan selalu gunakan suku cadang pengganti buatan Makita.

AKSESORI PILIHAN

⚠PERHATIAN:

- Dianjurkan untuk menggunakan aksesoris atau perangkat tambahan ini dengan mesin Makita Anda yang ditentukan dalam petunjuk ini. Penggunaan aksesoris atau perangkat tambahan lain bisa menyebabkan risiko cedera pada manusia. Hanya gunakan aksesoris atau perangkat tambahan yang sesuai dengan tujuan yang telah ditetapkan.

Jika Anda memerlukan bantuan lebih terperinci berkenaan dengan aksesoris ini, tanyakan pada Pusat Layanan Makita terdekat.

- Roda pemotong abrasif
- Kunci soket 17
- Tombol buka kunci

CATATAN:

- Beberapa item dalam daftar tersebut mungkin sudah termasuk dalam paket mesin sebagai aksesoris standar. Kelengkapan mesin dapat berbeda di setiap negara.

SPEKIFIKASI

Model	2416S
Diameter roda	405 mm
Diameter lubang	25.4 mm
Diameter kapasiti maksimum pemotongan.	115 mm
Kelajuan tanpa beban (min ⁻¹)	2,300
Dimensi (P x L x T)	610 mm x 265 mm x 535 mm
Berat bersih	19.2kg
Kelas keselamatan	Kelas I

- Disebabkan program penyelidikan dan pembangunan kami yang berterusan, spesifikasi yang terkandung di dalam ini adalah tertakluk kepada perubahan tanpa notis.
- Spesifikasi mungkin berbeza mengikut negara.
- Berat mengikut Prosedur EPTA 01/2003

Simbol

Berikut menunjukkan simbol-simbol yang digunakan untuk alat ini. Pastikan anda memahami maksudnya sebelum menggunakan.



Baca manual arahan.



Hanya untuk negara-negara Kesatuan Eropah
 Jangan buang peralatan elektrik bersama bahan buangan isi rumah!
 Dalam mematuhi Arahan Eropah 2002/96/EC mengenai sisa peralatan elektrik dan elektronik serta pelaksanaannya mengikut undang-undang negara, peralatan elektrik yang telah mencapai akhir hayatnya mesti dikumpul secara berasingan dan dikembalikan ke kemudahan kitar semula yang bersesuaian dengan alam sekitar.

Tujuan penggunaan

Alat ini bertujuan untuk memotong bahan ferus dengan roda pemotongan pelepas yang sesuai. Ikut semua undang-undang dan peraturan berkaitan dengan habuk dan kesihatan kawasan kerja dan keselamatan di negara anda.

Bekalan kuasa

Alat ini perlu disambungkan hanya kepada bekalan kuasa dengan voltan yang sama seperti yang ditunjukkan pada papan nama, dan hanya boleh dikendalikan pada bekalan AC fasa tunggal. Alat ini hendaklah dibumikan semasa digunakan bagi melindungi operator daripada renjatan elektrik. Gunakan kord sambungan tiga wayar sahaja yang mempunyai palam jenis pembumian tiga serampang dan bekalan kutub tiga yang menerima palam alat.

ARAHAN KESELAMATAN

AMARAN! Semasa menggunakan alat elektrik, langkah berjaga-jaga keselamatan asas, termasuk yang berikut, harus sentiasa diikuti untuk mengurangkan risiko kebakaran, kejutan elektrik dan kecederaan peribadi. Baca semua arahan sebelum mengendalikan produk ini dan simpan semua arahan ini.

Untuk pengendalian selamat:

1. **Pastikan kawasan kerja bersih.**
Kawasan bersepeh dan bangku menyebabkan kecederaan.
2. **Pertimbangkan persekitaran tempat kerja.**
Jangan dedahkan alat kuasa pada hujan. Jangan gunakan alat kuasa di lokasi lembap dan basah. Pastikan kawasan kerja diterangi dengan baik. Jangan gunakan alat kuasa di mana terdapat risiko menyebabkan kebakaran dan letupan.
3. **Pengadang kejutan elektrik.**
Elakkan sentuhan badan dengan permukaan bumi atau tanah (cth. paip, radiator, julat, peti sejuk).
4. **Jauhkan daripada kanak-kanak**
Jangan biarkan pelawat menyentuh alat atau kord sambungan. Semua pelawat harus dijauhkan dari kawasan kerja.
5. **Simpan alat pemelahu.**
Semasa tidak digunakan, alat harus disimpan di tempat kering, tinggi atau terkunci, jauh daripada jangkauan kanak-kanak.
6. **Jangan paksa alat.**
Ia akan berfungsi dengan lebih baik pada kadar yang ditentukan.
7. **Gunakan alat yang betul.**
Jangan paksa alat kecil atau pemasangan untuk melakukan fungsi alat kegunaan berat. Jangan gunakan alat untuk tujuan yang dinyatakan, sebagai contoh, jangan gunakan gergaji mata bulat untuk mengerat kayu pokok atau balak.

8. **Pakai pakaian dengan betul.**
Jangan pakai pakaian longgar atau barang kemas, ia boleh tersangkut di bahagian yang bergerak. Sarung tangan getah dan kasut tidak mudah gelincir disarankan semasa bekerja di luar. Pakai penutup kepala pelindung untuk menutup rambut yang panjang.
9. **Gunakan kaca mata keselamatan dan pelindung pendengaran.**
Juga gunakan topeng muka atau habuk jika operasi pemotongan berhabuk.
10. **Sambungkan alat pengekstrakan habuk.**
Jika peranti disediakan untuk sambungan kemudahan pengekstrakan dan pengumpulan habuk pastikan ia disambung dan digunakan dengan betul.
11. **Jangan salah gunakan kord.**
Jangan sekali-kali bawa alat atau menyentap untuk menyahsambung daripada soket. Jauhkan kord daripada haba, minyak dan bucu tajam.
12. **Kukuhkan kerja.**
Gunakan pengapit atau ragum untuk memegang bahan kerja. Ia lebih selamat berbanding menggunakan tangan anda dan lepaskan kedua-dua tangan untuk mengendalikannya.
13. **Jangan terlebih jangkau.**
Kekalkan tapak dan keseimbangan yang betul sepanjang masa.
14. **Selenggara alat dengan hati-hati.**
Pastikan alat pemotong tajam dan bersih untuk prestasi yang lebih baik dan selamat. Ikuti arahan untuk pelinciran dan menukar aksesori. Periksa kord alat secara berkala dan jika ia rosak, baikinya dengan kemudahan servis yang disahkan. Periksa kord sambungan secara berkala dan gantikannya jika rosak. Pastikan pemegang sentiasa kering, bersih dan bebas dari minyak dan gris.
15. **Nyahsambung alat.**
Apabila tidak digunakan, sebelum menservis dan semasa menukar aksesori seperti bilah, bit dan pemotong.
16. **Keluarkan kunci pelarasan dan perengkuh.**
Jadikan tabiat memeriksa untuk melihat kunci dan perengkuh pelarasan telah dikeluarkan sebelum menghidupkan.
17. **Elakkan menghidupkan tanpa sengaja.**
Jangan bawa alat memasukkan palam dengan jari pada suis. Pastikan suis dipadam semasa memasukkan palam.
18. **Gunakan penyambung sambungan luar.**
Semasa alat digunakan di luar, gunakan hanya kord sambungan untuk kegunaan luar.
19. **Sentiasa berwaspada.**
Perhatikan apa yang anda sedang lakukan. Gunakan pertimbangan akal. Jangan kendalikan alat semasa anda penat.
20. **Periksa bahagian yang rosak.**
Sebelum menggunakan alat dengan lebih lanjut, pengadag harus diperiksa dengan berhati-hati untuk menentukan yang ia beroperasi dengan betul dan berfungsi seperti yang dinyatakan. Periksa penjarangan bahagian yang bergerak, bahagian yang bebas bergerak, keretakan bahagian, lekapan dan sebarang keadaan lain yang boleh mempengaruhi operasi. Pengadag atau bahagian lain yang rosak harus dibaiki dengan betul atau digantikan oleh pusat servis sah melainkan sebaliknya dinyatakan dalam manual arahan. Gantikan suis yang rosak di kemudahan servis yang disahkan. Jangan gunakan alat jika suis tidak dihidupkan atau dimatikan.
21. **Amaran.**
Penggunaan sebarang aksesori atau pemasangan, selain daripada yang disarankan dalam manual arahan atau katalog ini, mungkin mengakibatkan kecederaan peribadi.
22. **Baiki alat anda dibaiki oleh orang yang bertauliah.**
Alat elektrik ini berkait dengan keperluan keselamatan berkaitan. Pembaikan harus dilakukan oleh orang yang bertauliah menggunakan alat ganti yang asli, atau tidak boleh menyebabkan pelbagai bahaya kepada pengguna.
23. **Penggunaan bekalan kuasa melalui RCD dengan arus sisa yang bernilai 30 mA atau kurang sentiasa disyorkan.**

PERATURAN KESELAMATAN TAMBAHAN UNTUK ALAT

1. **Pakai cermin mata perlindungan. Juga pakai pelindung pendengaran semasa tempoh operasi yang panjang.**
2. **Gunakan hanya roda yang disyorkan oleh pengeluar yang mempunyai kelajuan operasi maksimum sekurang-kurangnya setinggi "Putaran Per Minit (RPM) Tanpa Beban" yang ditanda pada plat nama alat. Gunakan hanya roda pemotongan diperkuat kaca gentian.**
3. **Periksa roda dengan teliti untuk melihat keretakan atau kerosakan sebelum operasi. Gantikan roda yang retak atau rosak dengan segera.**
4. **Kukuhkan roda dengan berhati-hati.**
5. **Gunakan hanya bebibir yang khusus untuk alat ini.**
6. **Berhati-hati supaya tidak merosakkan spindel, bebibir (terutamanya permukaan pemasangan) atau bolt, atau roda itu sendiri boleh pecah.**
7. **PASTIKAN PENGADAG BERADA DI TEMPATNYA dan berfungsi.**
8. **Pegang pemegang dengan kukuh.**
9. **Jauhkan tangan dari bahagian berpusing.**
10. **Pastikan roda tidak menyentuh bahan kerja sebelum suis dihidupkan.**

11. Sebelum menggunakan alat pada bahan kerja sebenar, biarkan ia beroperasi untuk beberapa minit dahulu. Perhatikan goyangan atau getaran berlebihan yang mungkin disebabkan oleh pemasangan yang tidak betul atau roda yang tidak seimbang.
12. Berjaga-jaga dengan percikan api berterbangan semasa mengendalikannya. Ia boleh menyebabkan kecederaan atau menyalakan bahan mudah terbakar.
13. Keluarkan bahan atau serpihan dari kawasan tersebut yang boleh dinyalakan oleh percikan api. Pastikan bahagian lain tidak berada pada laluan percikan api. Pastikan pemadam api yang elok dan penuh tersedia berdekatan.
14. Gunakan sisi pemotongan roda sahaja. Jangan sekali-kali gunakan permukaan sisi.
15. Jika roda berhenti semasa operasi, mengeluarkan bunyi pelik atau mula bergetar, matikan alat dengan serta-merta.
16. Sentiasa matikan dan tunggu roda berhenti sepenuhnya sebelum mengeluarkan, mengukuhkan bahan kerja, mengerjakan ragum, menukar posisi kerja, sudut atau roda itu sendiri.
17. Jangan sentuh bahan kerja dengan serta-merta selepas operasi; ia sangat panas dan boleh melecurkan kulit anda.
18. Simpan roda di lokasi yang kering sahaja.

SIMPAN ARAHAN INI.

PEMASANGAN

Mengukuhkan gergaji pemotongan

Gergaji pemotongan boleh diboltkan (2 bolt) pada meja atau lantai menggunakan lubang bolt pada tapak. Jangan kukuhkan bolt terlalu ketat.

KETERANGAN FUNGSI

⚠️ PERHATIAN:

- Sentiasa pastikan alat dimatikan dan palamnya dicabut sebelum menyelaras atau menyemak fungsi pada alat.

Tindakan suis

⚠️ PERHATIAN:

- Sebelum memasang alat, sentiasa periksa untuk melihat pemacu suis bergerak dengan betul dan kembali ke posisi "OFF" apabila dilepaskan.

► **Rajah1:** 1. Pemacu suis 2. Butang buka kunci

Butang buka kunci dan pemacu dalam pemegang mesti ditekan untuk mengaktifkan alat. Anda boleh menghentikan motor dengan melepaskan pemacu.

⚠️ PERHATIAN:

- Pastikan suis berfungsi dengan betul. Ia harus menghidupkan alat dan kembali ke posisi "off" selepas dilepaskan.
- Apabila tidak menggunakan alat, keluarkan butang buka kunci. Ini mengelakkan operasi yang tidak dibenarkan.

Meletakkan pelongsor cucuh

► **Rajah2:** 1. Pelongsor cucuh 2. Atas tapak 3. Titik A
Untuk mengelakkan percikan api berterbangan, naikkan pelongsor cucuh sedikit supaya titik A akan berada di bawah atas tapak yang ditunjukkan.

⚠️ PERHATIAN:

- Pastikan pelongsor cucuh diselaraskan seperti dinyatakan di atas sebelum operasi. Kegagalan berbuat demikian akan menyebabkan lebih banyak percikan api berterbangan mengakibatkan kemungkinan lebih besar bagi kecederaan atau penyalakan bahan mudah terbakar yang berdekatan.

Melaraskan plat penyumbat

Plat penyumbat mengelakkan roda daripada menyentuh permukaan lantai meja.

1. Apabila roda baharu dipasang, tetapkan plat penyumbat seperti yang ditunjukkan dalam rajah dan ketatkan bolt ibu jari.

► **Rajah3:** 1. Bolt ibu jari 2. Plat penyumbat

2. Apabila roda haus sehingga kurang daripada diameter 355mm (14"), tetapkan plat penyumbat seperti yang ditunjukkan dalam rajah dan ketatkan bolt ibu jari.


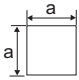
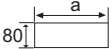
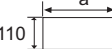
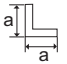
► **Rajah4**

3. Apabila roda haus sehingga kurang daripada diameter 305mm (12"), tetapkan plat penyumbat seperti yang ditunjukkan dalam rajah dan ketatkan bolt ibu jari.

► **Rajah5**

Menukar kelearan antara ragum dan panduan

- **Rajah6:** 1. Perengkuh soket 2. Panduan 3. Bolt heksagon 4. Ragum

Dimensi roda boleh guna		405 mm (16") diameter luar X kurang daripada 4.5 mm (3/16") X 25.4 mm (1") diameter dalam.				
Konfigurasi roda						
Kapasiti maksimum pemotongan	Potongan 90°	115 mm (4-1/2")	120 mm (4-3/4")	230 mm (9")	185 mm (7-1/4")	150 mm (5-7/8")
	Potongan 45°	115 mm (4-1/2")	110 mm (4-3/8")	110 mm (4-3/8")	110 mm (4-3/8")	110 mm (4-3/8")

Menetapkan sudut pemotongan

- **Rajah7:** 1. Perengkuh soket 2. Bolt heksagon 3. Panduan

Untuk menukar sudut pemotongan, longgarkan bolt heksagon dengan perengkuh soket seperti ditunjukkan, kemudian gerakan panduan ke sudut yang diinginkan. Pada kedudukan 60-230 mm (2-3/8" - 9"), panduan tidak boleh menjadi sudut untuk membenarkan potongan 45°.

⚠PERHATIAN: Ketatkan bolt heksagon dengan kukuh.

⚠PERHATIAN: Jangan kendalikan alat apabila bahan tidak dipasang dengan kukuh dengan ragum kerana sudut pemotongan.

PEMASANGAN

⚠PERHATIAN:

- Sentiasa pastikan alat dimatikan dan palamnya dicabut sebelum menjalankan apa-apa kerja pada alat.

Memasang roda pemotongan

- **Rajah8:** 1. Bolt ibu jari 2. Tombol 3. Penutup tengah

- Untuk memasang roda, longgarkan bolt ibu jari dan angkat penutup tengah dengan tombol.
- Tekan penyumbat mengikut arah anak panah. Longgarkan bolt heksagon menggunakan perengkuh soket dengan memusingkannya lawan arah jam. Kemudian keluarkan bolt heksagon, bibir luar dan roda.

- **Rajah9:** 1. Penyumbat 2. Perengkuh soket

Menukar kedudukan panduan untuk memuatkan bahan kerja yang lebih besar seperti ditunjukkan, perengkuh soket boleh digunakan untuk mengeluarkan bolt heksagon dan menggerakkan panduan. Tetapan selang berikut adalah mungkin:
0-170 mm (0 - 6-3/4")
60-230 mm (2-3/8" - 9")

- Untuk memasang roda, ikut prosedur mengeluarkan secara terbalik. **PASTIKAN UNTUK MENGETATKAN BOLT HEKSAGON DENGAN KUKUH.** Kukuhkan penutup tengah dengan berhati-hati menggunakan bolt ibu jari.

⚠PERHATIAN:

- Semasa memasang roda, pastikan tanda Makita pada roda menghadap anda di luar.
- Gunakan hanya perengkuh soket Makita untuk mengeluarkan atau memasang roda.

Menyimpan perengkuh soket

- **Rajah10:** 1. Perengkuh soket

Perengkuh soket boleh disimpan dengan mudah di lokasi yang ditunjukkan.

Mengukuhkan bahan kerja

- **Rajah11:** 1. Plat ragum 2. Nat ragum 3. Pemegang ragum

Dengan memusingkan pemegang ragum arah lawan jam dan kemudian membalikkan nat ragum ke kiri, ragum dilepaskan daripada ulir aci dan boleh digerakkan dengan cepat masuk dan keluar. Untuk memegang bahan kerja, tolak pemegang ragum sehingga plat ragum menyentuh bahan kerja. Terbalikkan nat ragum ke kanan dan kemudian pusingkan pemegang ragum arah jam untuk menetapkan bahan kerja dengan kukuh.

⚠PERHATIAN:

- Sentiasa tetapkan nat ragum ke kanan sepenuhnya semasa mengukuhkan bahan kerja. Kegagalan untuk berbuat demikian mungkin menyebabkan pengukuhan bahan kerja yang tidak mencukupi. Ini boleh menyebabkan bahan kerja ditolak atau menyebabkan pemecahan roda yang berbahaya.

Apabila roda pemotongan telah sangat haus, gunakan blok penjarak bahan yang kukuh, tidak mudah terbakar di belakang bahan kerja seperti yang ditunjukkan dalam rajah. Anda boleh menggunakan roda yang haus dengan lebih efisien dengan menggunakan titik tengah pada pinggir roda untuk memotong bahan kerja.

► **Rajah12:** 1. Blok penjarak 2. Pemegang

Bahan kerja yang panjang mestilah disokong dengan blok bahan yang tidak mudah terbakar pada kedua-dua sisi supaya ia akan sama paras dengan atas tapak.

► **Rajah13:** 1. Blok

OPERASI

Pegang pemegang dengan kukuh. Hidupkan alat dan tunggu sehingga roda mencapai kelajuan sepenuhnya sebelum merendahkan dengan perlahan kepada potongan. Apabila roda bersentuhan dengan bahan kerja, tekan pada pemegang secara berperingkat untuk melakukan potongan. Apabila potongan selesai, matikan alat dan **TUNGGU SEHINGGA RODA BERHENTI SPENUHNYA** sebelum kembalikan pemegang kepada kedudukan terangkat sepenuhnya.

⚠️ **PERHATIAN:**

- Tekanan pemegang yang betul semasa pemotongan dan kecekapan pemotongan maksimum boleh ditentukan dengan jumlah percikan api yang dihasilkan semasa memotong. Tekanan anda pada pemegang harus diselaraskan untuk menghasilkan jumlah maksimum percikan api. Jangan paksa potongan dengan mengenakan tekanan berlebihan kepada pemegang. Kecekapan pemotongan yang berkurangan, haus roda terlalu awal, dan juga, kemungkinan kerosakan kepada alat, roda pemotongan atau bahan kerja boleh terhasil.

PENYELENGARAAN

⚠️ **PERHATIAN:**

- Sentiasa pastikan alat dimatikan dan palamnya dicabut sebelum cuba menjalankan pemeriksaan atau penyelenggaraan.
- Jangan gunakan gasolin, benzin, pencair, alkohol atau bahan yang serupa. Ia boleh menyebabkan perubahan warna, bentuk atau keretakan.

Pelinciran

► **Rajah14**

Bahagian yang berikut harus disapu pelincir sekali-sekala dengan minyak mesin:

1. Skru ragum dan bahagian berpusing.
2. Permukaan sentuhan antara perumahan motor dan plat lekapan perumahan motor.
3. Permukaan lungsur ragum.

Menggantikan berus karbon

► **Rajah15:** 1. Tanda had

Keluarkan dan periksa berus karbon dengan kerap. Gantikan ia apabila ia telah haus sehingga tanda had. Pastikan berus karbon sentiasa bersih dan bebas untuk dimasukkan ke dalam pemegang. Kedua-dua berus karbon harus diganti pada masa yang sama. Gunakan hanya berus karbon yang serupa.

Gunakan pemutar skru untuk mengeluarkan penutup pemegang berus. Keluarkan berus karbon yang telah haus, masukkan berus baharu dan kukuhkan penutup pemegang berus.

► **Rajah16:** 1. Penutup pemegang berus 2. Pemutar skru

Untuk mengekalkan KESELAMATAN dan KEBOLEHPERCAYAAN produk, pembaikan, sebarang penyelenggaraan atau penyesuaian lain perlu dilakukan oleh Pusat Servis Makita yang Diiktiraf, sentiasa gunakan alat ganti Makita.

AKSESORI PILIHAN

⚠️ **PERHATIAN:**

- Aksesori atau alat tambahan ini adalah disyorkan untuk digunakan dengan alat Makita anda yang dinyatakan dalam manual ini. Penggunaan mana-mana aksesori atau alat tambahan lain mungkin mengakibatkan risiko kecederaan kepada orang. Hanya gunakan aksesori atau alat tambahan untuk tujuan yang dinyatakannya.

Jika anda memerlukan bantuan untuk butiran lanjut berkenaan aksesori ini, tanya Pusat Servis Makita tempatan anda.

- Roda pemotongan pelepas
- Perengkuh soket 17
- Butang buka kunci

NOTA:

- Beberapa item dalam senarai mungkin disertakan dalam pakej alat sebagai aksesori standard. Item mungkin berbeza mengikut negara.

THÔNG SỐ KỸ THUẬT

Kiểu	2416S
Đường kính đĩa mài	405 mm
Đường kính lỗ	25,4 mm
Đường kính có công suất cắt tối đa	115 mm
Tốc độ không tải (min ⁻¹)	2.300
Kích thước (D x R x C)	610 mm x 265 mm x 535 mm
Khối lượng tịnh	19,2kg
Cấp an toàn	Cấp I

- Do chương trình nghiên cứu và phát triển liên tục của chúng tôi nên các thông số kỹ thuật ở đây có thể thay đổi mà không cần thông báo trước.
- Các thông số kỹ thuật có thể thay đổi tùy theo từng quốc gia.
- Khối lượng tính theo Quy trình EPTA tháng 01/2003

Ký hiệu

Phần dưới đây cho biết các ký hiệu được dùng cho thiết bị. Đảm bảo rằng bạn hiểu rõ ý nghĩa của các ký hiệu này trước khi sử dụng.



Đọc tài liệu hướng dẫn.



Chỉ dành cho các quốc gia châu Âu
Không thái bộ thiết bị điện cùng với các chất thải sinh hoạt!

Đề tuân thủ Chỉ thị của Châu Âu 2002/96/EU về thiết bị điện và điện tử không còn sử dụng được nữa phải được thu nhặt riêng và đưa trở lại một cơ sở tái chế tương thích với môi trường.

Mục đích sử dụng

Dụng cụ này được dùng để cắt vật liệu chứa sắt với đĩa cắt nhám phù hợp. Tuân theo tất cả các luật lệ và quy định liên quan đến bụi và khu vực làm việc, sức khỏe và an toàn ở đất nước của bạn.

Nguồn cấp điện

Dụng cụ này chỉ được nối với nguồn cấp điện có điện áp giống như đã chỉ ra trên bảng tên và chỉ có thể được vận hành trên nguồn điện AC một pha. Dụng cụ này phải được nối đất trong lúc sử dụng để đảm bảo người vận hành không bị điện giật. Chỉ sử dụng các dây điện nối dài loại ba lõi có phích cắm ba chấu nối đất và các ổ cắm điện ba chấu phù hợp với phích cắm của dụng cụ.

HƯỚNG DẪN AN TOÀN

CẢNH BÁO! Khi sử dụng các thiết bị điện, cần phải luôn luôn tuân thủ các biện pháp phòng ngừa an toàn, bao gồm các mục sau để giảm thiểu nguy cơ hỏa hoạn, điện giật và thương tích cá nhân. Đọc mọi hướng dẫn trước khi vận hành sản phẩm này và cất giữ bản hướng dẫn này.

Để vận hành an toàn:

- Giữ cho khu vực làm việc luôn sạch sẽ.**
Chỗ làm việc và bàn máy bừa bãi sẽ dễ gây ra thương tích.
- Cần lưu ý xem xét môi trường làm việc.**
Không được để các dụng cụ điện ngoài trời mưa. Không sử dụng các dụng cụ điện ở những nơi ẩm thấp hoặc ướt. Giữ khu vực làm việc được chiếu sáng tốt. Không được sử dụng các dụng cụ điện ở nơi có nguy cơ gây hỏa hoạn hoặc cháy nổ.
- Bảo vệ chống điện giật.**
Tránh để cơ thể tiếp xúc với các bề mặt nổi đất hoặc tiếp đất (ví dụ như đường ống, bộ tản nhiệt, bếp ga và tủ lạnh).
- Không để trẻ em lại gần.**
Không để khách tham quan chạm vào dụng cụ hoặc dây dẫn nối dài. Mọi khách tham quan cần phải được giữ cách xa khu vực làm việc.
- Cắt các dụng cụ không sử dụng.**
Khi không sử dụng, cần cất giữ các dụng cụ ở nơi khô ráo, trên cao hoặc được khóa kín, ngoài tầm với của trẻ em.
- Không dùng lực đối với dụng cụ máy.**
Điều này sẽ giúp sử dụng dụng cụ an toàn hơn, tốt hơn theo như định mức dự kiến của thiết bị.
- Sử dụng đúng dụng cụ.**
Không cố sử dụng các dụng cụ hoặc phụ kiện nhỏ để thực hiện các công việc dành cho dụng cụ công suất lớn. Không sử dụng dụng cụ cho những mục đích ngoài thiết kế; ví dụ như không được sử dụng cưa đĩa để cắt cành cây hoặc gốc cây.
- Ăn mặc phù hợp.**
Không được mặc quần áo rộng hoặc đeo trang sức lỏng lẻo, chúng có thể bị mắc kẹt vào các bộ phận di chuyển. Khuyến cáo nên sử dụng găng tay cao su và giày chống trượt khi làm việc ngoài trời. Mang bọc bảo vệ tóc để giữ tóc lại.
- Sử dụng kính bảo hộ và thiết bị chống tiếng ồn.**
Ngoài ra cũng nên sử dụng mặt nạ hoặc mặt nạ chống bụi nếu thao tác cắt gây ra nhiều bụi.

10. **Đầu nối thiết bị thu bụi.**
Nếu các thiết bị được cung cấp để kết nối các thiết bị thu gom và hút bụi, hãy đảm bảo chúng được kết nối và sử dụng hợp lý.
11. **Không sử dụng dây cắm điện sai mục đích.**
Không bao giờ cắm dụng cụ bằng dây dẫn hoặc giết mạnh dây để tháo dây khỏi ổ cắm điện. Giữ dây dẫn cách xa nguồn nhiệt, dầu mỡ và các cạnh mép sắc nhọn.
12. **Giữ chặt vật gia công.**
Sử dụng bàn kẹp hoặc kẹp cố định để giữ vật gia công. Cách này sẽ an toàn hơn là dùng tay và giúp hai tay tự do để vận hành dụng cụ.
13. **Không vơi quá cao.**
Luôn giữ thẳng bảng tốt và có chỗ để chân phù hợp.
14. **Bảo quản dụng cụ cẩn thận.**
Giữ cho dụng cụ luôn sắc bén và sạch sẽ để hoạt động tốt và an toàn hơn. Tuân theo hướng dẫn đối với việc bôi trơn và thay phụ tùng. Kiểm tra dây dẫn dụng cụ thường xuyên và nếu bị hư hỏng phải sửa chữa ngay bởi một cơ sở bảo trì được ủy quyền. Kiểm tra dây dẫn nối dài định kỳ và thay thế nếu bị hư hỏng. Giữ tay cầm khô, sạch, không dính dầu và mỡ.
15. **Ngắt kết nối dụng cụ.**
Khi không sử dụng, trước khi bảo trì và khi thay đổi các phụ kiện như lưỡi cưa, đầu mũi và lưỡi cắt.
16. **Tháo các khóa và chia vận điều chỉnh.**
Tập dần thói quen kiểm tra xem các khóa và chia vận điều chỉnh đã được tháo ra khỏi dụng cụ hay chưa trước khi bật dụng cụ lên.
17. **Tránh vô tình khởi động dụng cụ máy.**
Không được cầm dụng cụ đang cắm điện với ngón tay để hồ trên công tắc. Đảm bảo đã tắt công tắc khi cắm điện vào.
18. **Sử dụng loại dây dẫn điện nối dài dùng ở ngoài trời.**
Khi sử dụng dụng cụ ngoài trời, chỉ được sử dụng dây dẫn điện nối dài được dùng cho ngoài trời.
19. **Luôn cẩn trọng.**
Theo dõi những gì bạn đang thực hiện. Hãy cẩn nhắc kỹ lưỡng. Không vận hành thiết bị khi bạn đang mệt mỏi.
20. **Kiểm tra các bộ phận bị hư hỏng.**
Trước khi sử dụng tiếp dụng cụ, cần phải kiểm tra kỹ lưỡng bộ phận bảo vệ hoặc bộ phận khác bị hư hỏng để xác định rằng máy sẽ vận hành bình thường và thực hiện đúng chức năng như được thiết kế. Kiểm tra cân chỉnh các bộ phận chuyển động, cho chạy tự do các bộ phận chuyển động, chốt nút vỡ các bộ phận, chốt gấn và bắt cứ tình trạng nào khác có thể ảnh hưởng đến việc vận hành. Bộ phận bảo vệ hoặc bộ phận nào khác bị hư hỏng cần phải được sửa chữa đúng cách hoặc thay thế bởi một trung tâm bảo trì được ủy quyền trừ khi được chỉ dẫn khác trong sách hướng dẫn này. Nhờ thay thế các công tắc bị hỏng bởi một cơ sở bảo trì được ủy quyền. Không sử dụng dụng cụ nếu công tắc không bật và tắt được dụng cụ máy đó.

21. **Cảnh báo.**
Việc sử dụng bất cứ phụ kiện hoặc phụ tùng nào khác ngoài các loại đã được khuyến cáo trong sách hướng dẫn này hoặc trong catalog có thể dẫn đến nguy cơ thương tích cá nhân.
22. **Hãy nhờ người có đủ trình độ sửa chữa dụng cụ của bạn.**
Dụng cụ điện này tuân thủ các yêu cầu an toàn về điện liên quan. Việc sửa chữa cần được tiến hành bởi người có đủ trình độ bằng cách sử dụng các bộ phận dự phòng nguyên gốc, nếu không có thể dẫn đến nguy hiểm đáng kể cho người sử dụng.
23. **Chúng tôi luôn khuyến bạn sử dụng nguồn cấp điện qua thiết bị RCD có thể ngắt dòng điện rò định mức 30 mA hoặc thấp hơn.**

CÁC QUY ĐỊNH AN TOÀN KHÁC ĐỐI VỚI DỤNG CỤ

1. **Mang kính bảo hộ.** Cũng cần mang thiết bị bảo vệ tai khi làm việc trong thời gian kéo dài.
2. **Chỉ sử dụng các đĩa mài được khuyến nghị bởi nhà sản xuất có tốc độ hoạt động tối đa ít nhất là cao bằng “RPM không tải” được đánh dấu trên bằng tên của dụng cụ.** Chỉ sử dụng đĩa cắt có sợi thủy tinh gia cố.
3. **Kiểm tra đĩa mài thật cẩn thận xem có nứt hoặc hư hỏng gì không trước khi vận hành.** Thay thế đĩa mài bị nứt hoặc hư hỏng ngay lập tức.
4. **Xiết chặt đĩa mài cẩn thận.**
5. **Chỉ sử dụng các vành được quy định cho dụng cụ này.**
6. **Cẩn thận để không làm hỏng trụ quay, các vành (đặc biệt là bề mặt lắp đặt) hoặc bu-lông, nếu không đĩa mài có thể vỡ vụn.**
7. **GIỮ CÁC PHẦN BẢO VỆ ĐÚNG VỊ TRÍ** và theo thứ tự làm việc.
8. **Giữ thật chắc tay cầm.**
9. **Giữ tay tránh xa các bộ phận quay.**
10. **Phải đảm bảo rằng đĩa mài không tiếp xúc với phiôi gia công trước khi bật công tắc lên.**
11. **Trước khi sử dụng dụng cụ này trên phiôi gia công thực, chỉ cần để dụng cụ chạy trong vài phút đầu.** Theo dõi sự dao động hoặc rung động quá mức có thể bị gây ra do việc lắp đặt không đạt yêu cầu hoặc đĩa mài được cân bằng kém.
12. **Coi chừng các tia lửa bắn ra khi vận hành.** Chúng có thể gây ra thương tích hoặc kích cháy các vật liệu dễ cháy.
13. **Loại bỏ vật liệu hoặc các mảnh vụn ra khỏi khu vực có thể kích nổ bởi các tia lửa.** Đảm bảo rằng không có ai khác ở trên đường tiến của các tia lửa. Luôn để sẵn bình chữa cháy đã sạc đầy, đúng cách ở gần bên.
14. **Chỉ sử dụng cạnh cắt của đĩa mài.** Không bao giờ sử dụng bề mặt bên.
15. **Nếu đĩa mài dừng lại trong khi vận hành, tạo ra tiếng ồn lạ hoặc bắt đầu rung động, hãy tắt dụng cụ ngay lập tức.**
16. **Luôn tắt công tắc và chờ cho đĩa mài ngừng hoàn toàn trước khi tháo, cố định phiôi gia công, chạy dụng cụ kẹp, thay đổi vị trí làm việc, góc hoặc đĩa mài của chính nó.**

17. Không chạm vào phiê gia công ngay sau khi vận hành; chúng rất nóng và có thể gây bỏng da.
18. Chỉ cất giữ đĩa mài ở nơi khô ráo.

LƯU GIỮ CÁC HƯỚNG DẪN NÀY.

LẮP RÁP

Cố định máy cưa cắt sắt

Máy cưa cắt sắt có thể được bắt bu-lông (2 bu-lông) xuống bàn hoặc sàn bằng cách sử dụng các lỗ bu-lông trong đế. Không siết bu-lông quá chặt.

MÔ TẢ CHỨC NĂNG

⚠ THẬN TRỌNG:

- Luôn bảo đảm rằng dụng cụ được tắt điện và rút phích cắm trước khi điều chỉnh hoặc kiểm tra chức năng của dụng cụ.

Hoạt động công tắc

⚠ THẬN TRỌNG:

- Trước khi cắm điện vào dụng cụ, luôn kiểm tra để đảm bảo cần khởi động công tắc hoạt động bình thường và trả về vị trí "TẮT" khi nhả ra.

► **Hình1:** 1. Cần khởi động công tắc 2. Nút nhả khóa
Phải nhấn nút nhả khóa và cần khởi động ở tay cầm để kích hoạt dụng cụ. Bạn có thể dừng động cơ bằng cách nhả cần khởi động.

⚠ THẬN TRỌNG:

- Hãy đảm bảo công tắc vận hành bình thường. Nó sẽ bật dụng cụ lên và trả về vị trí "tắt" sau khi nhả ra.
- Khi không dùng dụng cụ, hãy tháo nút nhả khóa ra. Điều này sẽ giúp ngăn chặn việc vận hành máy trái phép.

Xác định vị trí máng chắn tia lửa

► **Hình2:** 1. Máng chắn tia lửa 2. Chóp đế 3. Điểm A
Để ngăn tia lửa bay xung quanh, hãy nâng máng chắn tia lửa lên một chút sao cho điểm A nằm dưới chóp đế được chỉ định.

⚠ THẬN TRỌNG:

- Đảm bảo điều chỉnh máng chắn tia lửa như đã đề cập ở trên trước khi vận hành. Không làm như vậy có thể khiến các tia lửa bắn ra xung quanh làm tăng nguy cơ thương tích hoặc bắt lửa của bất kỳ vật liệu dễ cháy nào gần đó.

Điều chỉnh tấm cữ chặn

Tấm cữ chặn ngăn đĩa tiếp xúc với bề mặt của sàn bàn.

1. Khi lắp đặt đĩa mới, đặt tấm cữ chặn như trong hình và siết chặt bu-lông tai hồng.

► **Hình3:** 1. Bu-lông tai hồng 2. Tấm cữ chặn

2. Khi đĩa đã mòn đến đường kính dưới 355mm (14"), đặt tấm cữ chặn như thể hiện trong hình và siết chặt bu-lông tai hồng.

► **Hình4**

3. Khi đĩa đã mòn đến đường kính dưới 305mm (12"), đặt tấm cữ chặn như thể hiện trong hình và siết chặt bu-lông tai hồng.

► **Hình5**

Thay đổi chiều rộng giữa dụng cụ kẹp và thanh dẫn

- **Hình6:** 1. Chia vận đầu ống 2. Thanh dẫn
3. Bu-lông lục giác 4. Dụng cụ kẹp

Thay đổi vị trí của thanh dẫn để phù hợp với phôi lớn hơn như thể hiện, chia vận đầu ống có thể được sử dụng để tháo các bu-lông lục giác và di chuyển thanh dẫn. Có thể cài đặt khoảng cách sau đây:
0-170 mm (0 - 6-3/4")
60-230 mm (2-3/8" - 9")

Kích thước đĩa có thể sử dụng		Đường kính ngoài 405 mm (16") X nhỏ hơn đường kính trong 4,5 mm (3/16") X 25,4 mm (1")				
Cấu hình đĩa						
Công suất cắt tối đa	Cắt 90°	115 mm (4-1/2")	120 mm (4-3/4")	230 mm (9")	185 mm (7-1/4")	150 mm (5-7/8")
	Cắt 45°	115 mm (4-1/2")	110 mm (4-3/8")	110 mm (4-3/8")	110 mm (4-3/8")	110 mm (4-3/8")

Cài đặt góc cắt

- **Hình7:** 1. Chia vận đầu ống 2. Bu-lông lục giác
3. Thanh dẫn

Để thay đổi góc cắt, nới lỏng các bu-lông lục giác bằng chia vận đầu ống như thể hiện, sau đó di chuyển thanh dẫn đến góc mong muốn. Tại vị trí 60-230 mm (2-3/8" - 9"), thanh dẫn không thể tạo thành góc để có thể cắt góc 45°.

⚠ THẬN TRỌNG: Vặn các bu-lông lục giác thật chặt.

⚠ THẬN TRỌNG: Không vận dụng cụ khi vật liệu không được giữ chặt bằng mô cạp đo góc cắt.

⚠ THẬN TRỌNG:

- Khi lắp đĩa, hãy đảm bảo ký hiệu Makita trên đĩa nằm đối diện với bạn ở bên ngoài.
- Chỉ sử dụng chia vận đầu ống của Makita để tháo hoặc lắp các đĩa.

Cắt giữ chia vận đầu ống

- **Hình10:** 1. Chia vận đầu ống

Có thể cắt giữ chia vận đầu ống thuận tiện ở vị trí như được thể hiện.

Cố định phôi gia công

- **Hình11:** 1. Tấm dụng cụ kẹp 2. Đai ốc kẹp 3. Tay cầm dụng cụ kẹp

Bằng cách xoay tay cầm dụng cụ kẹp ngược chiều kim đồng hồ rồi sau đó lật đai ốc kẹp sang trái, dụng cụ kẹp sẽ được nhả ra khỏi các ren trục và có thể di chuyển ra và vào nhanh. Để kẹp phôi gia công, đẩy tay cầm dụng cụ kẹp cho đến khi tấm dụng cụ kẹp tiếp xúc với phôi gia công. Lật đai ốc kẹp sang phải rồi sau đó xoay tay cầm dụng cụ kẹp theo chiều kim đồng hồ để giữ chặt phôi gia công.

⚠ THẬN TRỌNG:

- Luôn đặt đai ốc kẹp sang phải hết mức khi cố định phôi gia công. Không làm như vậy có thể dẫn đến phôi gia công không được cố định chắc. Điều này có thể làm phôi gia công bị đẩy ra hoặc gây vỡ đĩa mài rất nguy hiểm.

Khi đĩa cắt đã bị mòn đáng kể, sử dụng một khối để chặn bằng vật liệu cứng, không cháy đặng sau các phôi gia công như thể hiện trong hình. Bạn có thể sử dụng đĩa mài bị mòn hiệu quả hơn bằng cách sử dụng điểm giữa trong chu vi của đĩa mài để cắt phôi gia công.

- **Hình12:** 1. Khối để chặn 2. Tay cầm

Phôi gia công dài phải được đỡ bằng các khối vật liệu không cháy trên cả hai mặt sao cho nó nằm ngang với chóp đế.

- **Hình13:** 1. Khối

LẮP RÁP

⚠ THẬN TRỌNG:

- Luôn đảm bảo rằng đã tắt dụng cụ và tháo phích cắm trước khi thực hiện bất kỳ công việc nào trên dụng cụ.

Lắp đặt đĩa cắt

- **Hình8:** 1. Bu-lông tai hồng 2. Núm 3. Nắp trung tâm

1. Để lắp đĩa, nới lỏng bu-lông tai hồng và nhấn nắp trung tâm lên bằng núm.
2. Nhấn cần chặn theo hướng mũi tên. Nới lỏng bu-lông lục giác với chia vận đầu ống bằng cách xoay ngược chiều kim đồng hồ. Sau đó tháo bu-lông lục giác, vành ngoài và đĩa mài.

- **Hình9:** 1. Cần chặn 2. Chia vận đầu ống

3. Để lắp đĩa mài, hãy làm ngược lại quy trình tháo ra. **ĐẢM BẢO ĐÃ VẬN CHẠY BU-LÔNG LỤC GIÁC.** Cố định nắp trung tâm cẩn thận với bu-lông tai hồng.

VẬN HÀNH

Giữ thật chắc tay cầm. Bật dụng cụ và chờ đến khi đĩa mài đạt được tốc độ tối đa trước khi nhẹ nhàng hạ thấp sang vị trí cắt. Khi đĩa mài tiếp xúc với phiôi gia công, dần dần ấn lực xuống tay cầm để thực hiện cắt. Sau khi cắt xong, hãy tắt dụng cụ và **CHỜ ĐẾN KHI ĐĨA DỪNG HOÀN TOÀN** trước khi đưa tay cầm trở lại vị trí nâng cao hết mức.

⚠ THẬN TRỌNG:

- Xử lý áp suất thích hợp trong quá trình cắt và hiệu quả cắt tối đa có thể được xác định bởi số lượng các tia lửa sinh ra trong khi cắt. Bạn cần điều chỉnh lực lên tay cầm để tạo ra lượng tia lửa tối đa. Không cố cắt bằng cách dùng lực quá nhiều trên tay cầm. Hiệu quả cắt giảm, đĩa mài bị mòn sớm, cũng như khả năng hư hỏng dụng cụ, đĩa cắt hoặc phiôi gia công có thể xảy ra.

BẢO TRÌ

⚠ THẬN TRỌNG:

- Luôn bảo đảm rằng dụng cụ được tắt điện và rút phích cắm trước khi thử thực hiện việc kiểm tra hoặc bảo trì.
- Không được phép dùng xăng, ét xăng, dung môi, cồn hoặc hóa chất tương tự. Có thể xảy ra hiện tượng mất màu, biến dạng hoặc nứt vỡ.

Bôi trơn

► Hình14

Các bộ phận dưới đây thỉnh thoảng cần được bôi trơn bằng dầu máy:

1. Vít kẹp và các bộ phận xoay.
2. Bề mặt tiếp xúc giữa vỏ ngoài động cơ và tấm gắn động cơ.
3. Bề mặt trượt của dụng cụ kẹp.

Thay chổi các-bon

► Hình15: 1. Vạch giới hạn

Hãy tháo và kiểm tra các chổi các-bon định kỳ. Thay thế khi chổi đã mòn đến vạch giới hạn. Giữ các chổi các-bon sạch và có thể trượt dễ dàng vào chỗ giữ chổi. Cả hai chổi các-bon phải được thay thế cùng một lúc. Chỉ sử dụng các chổi các-bon giống nhau.

Hãy sử dụng tuốc-nơ-vít để tháo các nắp giữ chổi. Hãy tháo các chổi các-bon đã bị mòn, lắp vào các chổi mới và vặn chặt các nắp giữ chổi.

► Hình16: 1. Nắp giữ chổi 2. Tuốc-nơ-vít

Để đảm bảo AN TOÀN và TIN CẬY của sản phẩm, việc sửa chữa hoặc bất cứ thao tác bảo dưỡng, điều chỉnh nào đều phải được thực hiện bởi các Trung tâm dịch vụ được ủy quyền của Makita, luôn sử dụng các phụ tùng thay thế của Makita.

PHỤ KIỆN TỰY CHỌN

⚠ THẬN TRỌNG:

- Các phụ kiện hoặc phụ tùng gắn thêm này được khuyến cáo sử dụng với dụng cụ Makita của bạn theo như quy định trong hướng dẫn này. Việc sử dụng bất cứ phụ kiện hoặc phụ tùng gắn thêm nào khác đều có thể gây ra rủi ro thương tích cho người. Chỉ sử dụng phụ kiện hoặc phụ tùng gắn thêm cho mục đích đã quy định sẵn của chúng.

Nếu bạn cần bất kỳ sự hỗ trợ nào để biết thêm chi tiết về các phụ tùng này, hãy hỏi Trung tâm Dịch vụ của Makita tại địa phương của bạn.

- Các đĩa cắt nhám
- Chia vận dầu ống 17
- Nút nhà khóa

LƯU Ý:

- Một số mục trong danh sách có thể được bao gồm trong gói dụng cụ làm phụ kiện tiêu chuẩn. Các mục này ở mỗi quốc gia có thể khác nhau.

ข้อมูลจำเพาะ

รุ่น	2416S
เส้นผ่านศูนย์กลางล้อ	405 mm
เส้นผ่านศูนย์กลางของรู	25.4 mm
ความสามารถในการตัดเส้นผ่านศูนย์กลางสูงสุด	115 mm
ความเร็วหมุนเปล่า (min ⁻¹)	2,300
ขนาด (ยาว x กว้าง x สูง)	610 mm x 265 mm x 535 mm
น้ำหนักสุทธิ	19.2kg
มาตรฐานความปลอดภัย	คลาส I

- เนื่องจากโปรแกรมการวิจัยและพัฒนาอย่างต่อเนื่องของเรา ข้อมูลจำเพาะในคู่มือนี้อาจมีการเปลี่ยนแปลงโดยไม่แจ้งให้ทราบล่วงหน้า
- ข้อมูลจำเพาะอาจแตกต่างกันไปในแต่ละประเทศ
- น้ำหนักตามข้อบังคับของ EPTA 01/2003

สัญลักษณ์

สัญลักษณ์ต่อไปนี้ใช้สำหรับอุปกรณ์นี้ โปรดศึกษาความหมายของสัญลักษณ์ให้เข้าใจก่อนการใช้งาน



อ่านคู่มือการใช้งาน



สำหรับประเทศในทวีปยุโรปเท่านั้น ห้ามตั้งอุปกรณ์ไฟฟ้าพร้อมกับวัสดุเหลือทิ้งในครัวเรือน!

เพื่อให้เป็นไปตามกฎระเบียบของยุโรป 2002/96/EC ว่าด้วยเศษเหลือทิ้งของอุปกรณ์ไฟฟ้าและอิเล็กทรอนิกส์ รวมถึงการบังคับใช้ตามกฎหมายภายในประเทศ ต้องเก็บอุปกรณ์ไฟฟ้าทั้งหมดอายุการใช้งานแล้วแยกต่างหาก และส่งกลับไปยังศูนย์รีไซเคิลที่เป็นมิตรต่อสิ่งแวดล้อม

จุดประสงค์การใช้งาน

เครื่องมือนี้ใช้สำหรับตัดวัสดุโลหะโดยใช้ล้อตัดแบบขัดที่เหมาะสม ปฏิบัติตามกฎหมายและข้อบังคับทั้งหมดที่เกี่ยวข้องกับฝุ่นและสุขภาพและความปลอดภัยในพื้นที่ทำงานในประเทศของคุณ

แหล่งจ่ายไฟ

ควรเชื่อมต่อเครื่องมือกับแหล่งจ่ายไฟที่มีแรงดันไฟฟ้าตามที่ระบุไว้บนป้ายข้อมูลของเครื่องมือ และจะต้องใช้ไฟฟ้ากระแสสลับแบบเฟสเดียวเท่านั้น เครื่องมือนี้ต้องเชื่อมต่อกับสายดินในขณะที่ใช้งานเพื่อป้องกันผู้ใช้งานจากการถูกไฟฟ้าช็อต ใช้เฉพาะสายไฟต่อพ่วงแบบสามสายที่มีปลั๊กแบบสามขาและตัวรับแบบสามรูเท่านั้น

คำแนะนำด้านความปลอดภัย

คำเตือน! เมื่อใช้เครื่องมือไฟฟ้า ต้องปฏิบัติตามคำเตือนด้านความปลอดภัยต่างๆ ดังต่อไปนี้เสมอเพื่อลดความเสี่ยงในการเกิดเพลิงไหม้ ไฟฟ้าดูด หรือการบาดเจ็บ โปรดอ่านคำแนะนำเหล่านี้ทั้งหมดก่อนใช้ผลิตภัณฑ์นี้และปฏิบัติตามคำแนะนำเหล่านี้

เพื่อการใช้อย่างปลอดภัย:

- รักษาความสะอาดของพื้นที่ปฏิบัติงาน**
พื้นที่ที่มีของวางระเกะระกะอาจเป็นสาเหตุของการบาดเจ็บได้
- พิจารณาสภาพแวดล้อมการทำงาน**
อย่าให้เครื่องมือไฟฟ้าโดนฝน อย่าใช้เครื่องมือไฟฟ้าในสถานที่ๆ เปียกชื้น จัดให้มีแสงสว่างเพียงพอในพื้นที่ปฏิบัติงาน อย่าใช้เครื่องมือไฟฟ้าเมื่อมีความเสี่ยงที่จะเกิดไฟลุกหรือการระเบิด

3. **ป้องกันไฟฟ้าดูด**
ระวังอย่าให้ร่างกายสัมผัสกับพื้นผิวที่ต่อสายดิน (เช่น ท่อ เครื่องนำความร้อน เตาหุงต้ม และตู้เย็น)
4. **อย่าให้เด็กเข้าบริเวณพื้นที่ปฏิบัติงาน**
อย่าให้ผู้ดูแลการปฏิบัติงานสัมผัสเครื่องมือหรือสายต่อพ่วง ผู้ดูแลการปฏิบัติงานทุกคนต้องอยู่ห่างจากบริเวณปฏิบัติงาน
5. **จัดเก็บเครื่องมือที่ไม่ได้ใช้**
เมื่อไม่ได้ใช้เครื่องมือ ควรจัดเก็บไว้ในที่ที่แห้ง สูงหรือมีที่ล็อคและห่างจากมือเด็ก
6. **อย่าฝืนใช้แรงมากเกินไปกับเครื่องมือ**
เครื่องมือจะทำงานได้ดีกว่าและปลอดภัยกว่าในอัตราการการทำงานที่กำหนดไว้
7. **ใช้เครื่องมือให้เหมาะสมกับงาน**
อย่าฝืนใช้เครื่องมือหรืออุปกรณ์ขนาดเล็กเพื่อทำงานที่ต้องใช้เครื่องมือกำลังสูง อย่าใช้เครื่องมือผิดจุดประสงค์ เช่น อย่าใช้เลื่อยวงกลมในการตัดท่อนไม้หรือซุง
8. **แต่งกายให้เหมาะสม**
อย่าสวมใส่เสื้อผ้าที่รุ่มร่ามหรือเครื่องประดับ เนื่องจากอาจเข้าไปติดชิ้นส่วนเคลื่อนที่ได้ แนะนำให้สวมถุงมือยางและรองเท้ากันลื่นเมื่อปฏิบัติงานกลางแจ้ง ในกรณีที่มีผมยาว ให้สวมที่คลุมผม
9. **สวมแว่นตานิรภัยและอุปกรณ์ปกป้องการได้ยิน**
และใช้หน้ากากกันฝุ่นด้วยหากการทำงานต่อนั้นก่อให้เกิดฝุ่นมาก
10. **เชื่อมต่ออุปกรณ์ดักฝุ่น**
หากอุปกรณ์สามารถเชื่อมต่อกับอุปกรณ์ดักฝุ่นได้ ให้ตรวจสอบว่าได้เชื่อมต่อและใช้งานอุปกรณ์นั้นอย่างเหมาะสม
11. **อย่าใช้สายไฟอย่างไม่เหมาะสม**
อย่ายกเครื่องมือโดยจับที่สายไฟหรือถอดปลั๊กออกจากเต้าเสียบโดยกระชากที่สายไฟ เก็บสายไฟให้ห่างจากความร้อน น้ำมัน และขอบวัตถุที่แหลมคม
12. **ปฏิบัติงานอย่างปลอดภัย**
ใช้ที่จับหรือคีมจับเพื่อจับชิ้นงาน วิธีการนี้จะปลอดภัยกว่าใช้มือจับชิ้นงาน และจะช่วยให้คุณสามารถใช้ทั้งสองมือเพื่อบังคับเครื่องมือด้วย
13. **อย่าทำงานในระยะที่สายตาเสื่อม**
รักษาความสมดุลและทำยื่นให้เหมาะสมตลอดเวลา
14. **บำรุงรักษาเครื่องมือด้วยความระมัดระวัง**
ดูแลให้อุปกรณ์ดีมีความคมและสะอาดอยู่เสมอเพื่อประสิทธิภาพที่ดีกว่าและปลอดภัยกว่า ปฏิบัติตามคำแนะนำในการหล่อลื่นและการเปลี่ยนอุปกรณ์เสริม ตรวจสอบสายไฟของเครื่องมืออยู่เสมอ หากชำรุดให้ช่างแผนกบริการที่ได้รับการรับรองเพื่อทำการซ่อมแซม ตรวจสอบสายไฟต่ออยู่เสมอ และจัดเปลี่ยนหากชำรุด ดูแลเมื่อจับให้แห้ง สะอาด และไม่มีน้ำมันและจาระบีเปื้อน
15. **ถอดเครื่องมือ**
เมื่อไม่ได้ใช้ ก่อนการซ่อมแซม และเมื่อเปลี่ยนอุปกรณ์ต่างๆ เช่น ไบมีด ดอกสว่าน และหัวตัด
16. **ถอดปุ่มปรับและไขควง**
ออกจากที่ยึดเพื่อตรวจสอบว่าได้ถอดถูกแงและปรับออกจากรูเครื่องมือก่อนเปิดเครื่อง
17. **หลีกเลี่ยงไม่ให้เปิดใช้งานโดยไม่ได้ตั้งใจ**
อย่าถือเครื่องมือที่เสียบปลั๊กอยู่โดยที่นิ้วคಾಯู่ที่สวิตช์ ตรวจสอบให้สวิตช์อยู่ในตำแหน่งปิดเมื่อเสียบปลั๊ก
18. **ใช้สายไฟต่อสำหรับการใช้งานกลางแจ้ง**
เมื่อใช้เครื่องมือกลางแจ้ง ให้ใช้แต่สายไฟต่อสำหรับการใช้งานกลางแจ้งเท่านั้น
19. **ระมัดระวังอยู่เสมอ**
มีสติกับสิ่งที่คุณกำลังทำ ให้ความสำคัญสักนิด อย่าใช้งานเครื่องมือเมื่อคุณอ่อนเพลีย
20. **ตรวจสอบส่วนที่เสียหาย**
ก่อนใช้งานเครื่องมือ ต้องตรวจสอบอุปกรณ์ป้องกันหรือส่วนที่เสียหายอย่างละเอียดเพื่อพิจารณาว่าสามารถใช้งานเครื่องมือได้อย่างเหมาะสมตามจุดประสงค์การใช้งานหรือไม่ ตรวจสอบความเรียบร้อยของชิ้นส่วนที่เคลื่อนที่ได้ การหมุนของชิ้นส่วนที่เคลื่อนที่ได้ การแตกหักหรือชำรุด การยึดติด และเงื่อนไขว่กัน ที่อาจจะส่งผลกระทบต่อการใช้งาน ควรซ่อมแซมหรือเปลี่ยนแปลงอุปกรณ์ป้องกันหรือส่วนอื่นๆ ที่เสียหายโดยศูนย์บริการที่ได้รับอนุญาต เว้นแต่จะมีการระบุไว้เป็นอย่างอื่นในคู่มือการใช้งานฉบับนี้ เปลี่ยนสวิตช์ที่เสียหายโดยผู้บริการที่ได้รับอนุญาต อย่าใช้เครื่องมือหากสวิตช์ไม่สามารถเปิดปิดได้
21. **คำเตือน**
การใช้เครื่องมือหรืออุปกรณ์เสริมต่างๆ นอกเหนือจากที่คู่มือผู้ใช้นี้หรือแคตตาล็อกได้แนะนำอาจก่อให้เกิดความเสี่ยงต่อการได้รับบาดเจ็บได้

- คุณได้ซ่อมแซมเครื่องมือโดยผู้ที่ได้รับอนุญาตหรือไม่ เครื่องมือไฟฟ้าชนิดนี้มีความสัมพันธ์ตามข้อกำหนดด้านความปลอดภัย การซ่อมแซมต้องกระทำโดยผู้ที่มีคุณสมบัติเหมาะสมและต้องใช้ตะขอสกัดและชิ้นส่วนของแท่งเท่านั้น มิฉะนั้นอาจก่อให้เกิดอันตรายต่อผู้ใช้ได้
- แนะนำให้ใช้แหล่งจ่ายไฟผ่าน RCD ที่มีกระแสไฟรั่วในอัตราไม่เกิน 30 mA เสมอ

กฎเพิ่มเติมด้านความปลอดภัยสำหรับเครื่องมือ

- สวมแว่นตาป้องกัน และสวมเครื่องป้องกันการได้ยิน ในระหว่างการใช้งานนานๆ
- ใช้ล้อที่ผู้ผลิตแนะนำเท่านั้น ซึ่งจะมีความเร็วในการทำงานสูงสุด อย่างน้อยคือสูงเท่าปริมาณ “รอบต่อ นาทีที่แบบหมุนเปล่า” ที่ทำเครื่องหมายไว้บนป้ายชื่อเครื่องมือ ใช้ล้อตัดแบบเสริมให้เกว่เท่านั้น
- ตรวจสอบล้อย่างระมัดระวังเพื่อหารอยแตกหรือความเสียหายก่อนที่จะใช้งาน เปลี่ยนล้อที่ร้าวหรือเสียหายทันที
- ยึดล้อไว้ให้แน่น
- ใช้แต่แกนสำหรับเครื่องมือนี้เท่านั้น
- ระวังอย่าให้แกนหมุน, แกน (โดยเฉพาะอย่างยิ่งพื้นผิวการติดตั้ง), หรือสลักเกลียวเสียหาย มิฉะนั้นตัวล้ออาจแตกได้
- ใส่ที่ป้องกันไว้ในตำแหน่งที่ถูกต้องและดูแลให้สภาพดีสามารถใช้งานได้ตามปกติ
- จับมือจับให้แน่น
- ระวังอย่าให้มีสัมผัสกับชิ้นส่วนที่หมุนได้
- ตรวจสอบให้แน่ใจว่าลูกกลอนันไม่ได้สัมผัสกับชิ้นงานก่อนที่จะเปิดสวิตช์
- ก่อนที่จะใช้เครื่องมือบนชิ้นงานจริง ปล่อยให้เครื่องมือทำงานเปล่าๆ ก่อนสักพัก ดูการสั่นสะเทือนหรือโยกโคลงผิดปกติที่อาจแสดงถึงการติดตั้งและการให้สมดุลลูกกลอนันที่ไม่ดีพอ
- ระวังประกายไฟกระเด็นขณะทำงาน เนื่องจากอาจทำให้เกิดการบาดเจ็บหรือทำให้วัตถุลุกไหม้ได้
- กำจัดวัสดุหรือสิ่งสกปรกจากพื้นที่ที่อาจลุกไหม้ด้วยประกายไฟได้ ตรวจสอบว่าสิ่งอื่น ๆ ไม่ได้อยู่ในบริเวณที่อาจเกิดประกายไฟ เก็บอุปกรณ์ดับเพลิงที่เหมาะสมและมีน้ำยาบรรจุเต็มไว้ใกล้ๆ
- ใช้ขอบตัดของล้อเท่านั้น ห้ามใช้พื้นผิวด้านข้าง
- ถ้าล้อยืดหยุ่นระหว่างการทำงาน มีเสียงแปลกๆ หรือเริ่มสั่น ให้ปิดเครื่องมือทันที

- ปิดเครื่องและรอให้ล้อหยุดสนิทเสมอก่อนถอด ยึดชิ้นงานโดยใช้ตัวหนีบ เปลี่ยนท่าในการทำงาน เปลี่ยนองศา หรือเปลี่ยนล้อ
- ห้ามสัมผัสกับชิ้นงานทันทีที่ทำงานเสร็จ เนื่องจากชิ้นงานมีความร้อนสูงและอาจลวกผิวหนังของคุณได้
- เก็บล้อในที่แห้งเท่านั้น

ปฏิบัติตามคำแนะนำเหล่านี้

การติดตั้ง

การยึดล้อยึด

ล้อยึดสามารถขัน (ใช้สลักเกลียว 2 ตัว) ติดกับม้านั่งหรือพื้นโดยใช้รูสลักเกลียวที่ฐาน อย่าขันสลักเกลียวแน่นเกินไป

คำอธิบายการทำงาน

⚠ ข้อควรระวัง:

- ตรวจสอบให้แน่ใจเสมอว่าปิดสวิตช์เครื่องมือและถอดปลั๊กออกแล้วก่อนทำการปรับตั้งหรือตรวจสอบการทำงานของเครื่องมือ

การทำงานของสวิตช์

⚠ ข้อควรระวัง:

- ก่อนเสียบปลั๊กเครื่องมือ ให้ตรวจสอบเสมอว่าสวิตช์สั่งงานสามารถทำงานได้อย่างถูกต้อง และกลับไปยังตำแหน่ง “OFF” (ปิด) เมื่อปล่อย

► หมายเลข 1: 1. สวิตช์สั่งงาน 2. ปุ่มปลดล๊อค

ต้องกดปุ่มปลดล๊อคและสวิตช์สั่งงานที่มือจับเพื่อเปิดใช้งานเครื่องมือ คุณสามารถหยุดมอเตอร์ได้ด้วยการปล่อยสวิตช์สั่งงาน

⚠ ข้อควรระวัง:

- ตรวจสอบให้แน่ใจว่าสวิตช์ทำงานอย่างถูกต้อง สวิตช์จะทำให้เครื่องมือเปิดและจะกลับสู่ตำแหน่ง “off” (ปิด) หลังจากปล่อยสวิตช์
- เมื่อไม่ใช่เครื่องมือ ให้ถอดปุ่มปลดล๊อค เพื่อเป็นการป้องกันการใช้งานโดยไม่ได้รับอนุญาต

การวางตำแหน่งรางกันประกายไฟ

- **หมายเลข 2:** 1. รางกันประกายไฟ 2. ส่วนบนของฐาน 3. จุด A

วิธีป้องกันไม่ให้เกิดประกายไฟกระเด็น ให้ยกรางกันประกายไฟเล็กน้อยเพื่อให้จุด A อยู่ต่ำกว่าส่วนบนของฐานที่ระบุไว้

ข้อควรระวัง:

- ตรวจสอบให้แน่ใจว่าปรับรางกันประกายไฟตามที่ระบุไว้ข้างต้นก่อนเริ่มทำงาน มิฉะนั้นอาจทำให้ประกายไฟกระเด็นมากกว่าเดิม ทำให้มีความเป็นไปได้มากขึ้นที่จะเกิดการบาดเจ็บหรือการระเบิดของวัสดุที่ติดไฟซึ่งอยู่ในบริเวณใกล้เคียง

การใช้แผ่นสต็อปเปอร์

แผ่นสต็อปเปอร์จะป้องกันล้อจากการสัมผัสกับพื้นผิวหน้าของพื้นโต๊ะ

1. เมื่อมีการติดตั้งล้ออันใหม่ ให้ตั้งค่าแผ่นสต็อปเปอร์ตามที่แสดงในภาพและชั้นสลักเกลียวมือหมุน

- **หมายเลข 3:** 1. สลักเกลียวมือหมุน 2. แผ่นสต็อปเปอร์

2. เมื่อล้อสีกหรือจนมีเส้นผ่านศูนย์กลางต่ำกว่า 355 mm (14") ให้ตั้งค่าแผ่นสต็อปเปอร์ตามที่แสดงในภาพและชั้นสลักเกลียวมือหมุน

- **หมายเลข 4**

3. เมื่อล้อสีกหรือจนมีเส้นผ่านศูนย์กลางต่ำกว่า 305 mm (12") ให้ตั้งค่าแผ่นสต็อปเปอร์ตามที่แสดงในภาพและชั้นสลักเกลียวมือหมุน

- **หมายเลข 5**

การเปลี่ยนความกว้างระหว่างตัวหนีบและตัวนำ

- **หมายเลข 6:** 1. ประแจหัวบีบอกรีท 2. ตัวนำ
3. สลักเกลียวหกเหลี่ยม 4. ตัวหนีบ

ในการเปลี่ยนตำแหน่งตัวนำเพื่อรองรับชิ้นงานที่มีขนาดใหญ่มากขึ้นตามที่แสดงไว้ สามารถใช้ประแจหัวบีบอกรีทเพื่อถอดสลักเกลียวหกเหลี่ยมและเลื่อนตัวนำ คุณสามารถทำการตั้งค่ารอบได้ดังต่อไปนี้:

0-170 mm (0 - 6-3/4")
60-230 mm (2-3/8" - 9")

ขนาดล้อยที่ใช้ได้		เส้นผ่านศูนย์กลางด้านนอก 405 mm (16") X น้อยกว่า 4.5 mm (3/16") X เส้นผ่านศูนย์กลางด้านใน 25.4 mm (1")				
การกำหนดค่าล้อย						
ความสามารถในการตัดสูงสุด	การตัด 90°	115 mm (4-1/2")	120 mm (4-3/4")	230 mm (9")	185 mm (7-1/4")	150 mm (5-7/8")
	การตัด 45°	115 mm (4-1/2")	110 mm (4-3/8")	110 mm (4-3/8")	110 mm (4-3/8")	110 mm (4-3/8")

การตั้งค่ามุมการตัด

- **หมายเลข 7:** 1. ประแจหัวบีบอกรีท 2. สลักเกลียวหกเหลี่ยม 3. ตัวนำ

วิธีเปลี่ยนมุมการตัด ให้คลายสลักเกลียวหกเหลี่ยมด้วยประแจหัวบีบอกรีทตามที่แสดงไว้ แล้วเลื่อนตัวนำไปยังมุมที่ต้องการ ที่ตำแหน่ง 60-230 mm (2-3/8" - 9") จะไม่สามารถปรับมุมตัวนำให้ตัดแบบ 45° ได้

⚠ ข้อควรระวัง: ชิ้นสลักเกลียวหกเหลี่ยมให้แน่น

⚠ ข้อควรระวัง: อย่าใช้งานเครื่องมือขณะที่ยังไม่ยึดวัสดุให้แน่นด้วยตัวหนีบเนื่องจากองศาการตัดไม่เหมาะสม

2. กดสตัดไปเปอร์ไปตามทิศทางของลูกศร คลายสลักเกลียวหกเหลี่ยมด้วยประแจหัวบีบอกรีทโดยหมุนทวนเข็มนาฬิกา จากนั้นให้ถอดสลักเกลียวหกเหลี่ยมแกนตัวนอก และล้อยออก

- **หมายเลข 9:** 1. สตัดไปเปอร์ 2. ประแจหัวบีบอกรีท
3. เมื่อต้องการจะติดตั้งวงล้อกลับเข้าที่เดิม ให้ปฏิบัติย้อนขั้นตอนการถอด ตรวจสอบให้แน่ใจว่าได้ขันสลักเกลียวหกเหลี่ยมให้แน่นแล้ว ยึดฝากลางไว้อย่างระมัดระวังด้วยสลักเกลียวมือหมุน

⚠ ข้อควรระวัง:

- เมื่อติดตั้งล้อ ให้ตรวจสอบว่าเครื่องหมาย Makita บนล้อหันออกทางด้านนอกเข้าหาตัวคุณ
- ใช้เฉพาะประแจหัวบีบอกรีท Makita ที่มีมาให้เพื่อถอดหรือใส่ล้อ

การประกอบ

⚠ ข้อควรระวัง:

- ตรวจสอบให้แน่ใจเสมอว่าปิดสวิตช์เครื่องมือและถอดปลั๊กออกแล้วก่อนดำเนินการใดๆ กับเครื่องมือ

การติดตั้งล้อตัด

- **หมายเลข 8:** 1. สลักเกลียวมือหมุน 2. ปุ่มหมุน 3. ฝากลาง
1. วิธีติดตั้งล้อ ให้คลายสลักเกลียวมือหมุนและยกฝากลางขึ้นด้วยปุ่มหมุน

การเก็บประแจหัวบีบอกรีท

- **หมายเลข 10:** 1. ประแจหัวบีบอกรีท
ประแจหัวบีบอกรีทสามารถเก็บไว้ในสถานที่ตามที่ระบุนี้ได้อย่างสะดวกสบาย

การยึดชิ้นงาน

- **หมายเลข 11:** 1. แผ่นจับงาน 2. น็อตตัวหนีบ 3. มือจับตัวหนีบ

เมื่อหมุนมือจับตัวหนีบทวนเข็มนาฬิกาแล้วพลิกน็อตตัวหนีบไปทางด้านซ้าย ตัวหนีบจะถูกปลดออกจากเกลียวเฟลา และสามารถเลื่อนเข้าและออกได้อย่างรวดเร็ว วิธีการหนีบชิ้นงาน ให้ดันมือจับตัวหนีบไว้จนกว่าแผ่นจับงานจะสัมผัสกับชิ้นงาน พลิกน็อตตัวหนีบไปทางด้านขวาแล้วหมุนมือจับตัวหนีบตามเข็มนาฬิกาเพื่อยึดชิ้นงานไว้อย่างปลอดภัย

⚠️ ข้อควรระวัง:

- ตั้งน็อตตัวหนีบไปทางขวาจนสุดขณะยึดชิ้นงานทุกครั้ง หากไม่ทำตามอาจส่งผลให้ชิ้นงานถูกยึดไม่แน่นพอ นี้อาจทำให้ชิ้นงานหลุดออกหรือทำให้ล้อแตกเป็นอันตรายได้

เมื่อล้อตัดสึกลงมาก ให้ใช้บล็อคตัวรองที่ทำจากวัสดุทนทานไม่ติดไฟไว้ด้านหลังชิ้นงานตามทีแสดงในภาพ คุณสามารถใช้ล้อยี่สึกอย่างมีประสิทธิภาพมากขึ้นได้โดยใช้จุดกึ่งกลางของเส้นรอบวงของล้อในการตัดชิ้นงาน

- **หมายเลข 12:** 1. บล็อคตัวรอง 2. มือจับ

ชิ้นงานที่ยาวจะต้องรองด้วยบล็อคที่ทำจากวัสดุทนทานไม่ติดไฟทั้งสองด้านเพื่อให้ชิ้นงานเสมอกับส่วนบนของฐาน

- **หมายเลข 13:** 1. บล็อค

การใช้งาน

จับมือจับให้แน่น เปิดเครื่องมือและรอกจนกว่าล้อจะทำความเร็วสูงสุดก่อนกดเข้าไปในรอยตัดเบาๆ เมื่อล้อสัมผัสกับชิ้นงาน ให้ค่อยๆ กดมือจับลงเพื่อทำการตัด เมื่อตัดเสร็จแล้วให้ปิดเครื่องมือแล้วรอกจนกระทั่งล้อหยุดสนิทก่อนที่จะยกมือจับกลับสู่ตำแหน่งสูงสุด

⚠️ ข้อควรระวัง:

- สามารถกำหนดแรงกดมือจับที่เหมาะสมระหว่างการตัดและประสิทธิภาพสูงสุดในการตัดได้โดยดูจากปริมาณประกายไฟที่เกิดขึ้นระหว่างการตัด โดยปรับแรงกดที่มือจับเพื่อให้ได้ประกายไฟในปริมาณสูงสุดอย่าฝืนตัดด้วยการใส่แรงกดที่มือจับมากเกินไปเนื่องจากอาจทำให้ประสิทธิภาพการตัดลดลง ล้อสึกก่อนเวลาอันควร เครื่องมือ ล้อตัด หรือชิ้นงานอาจเกิดความเสียหายได้

การบำรุงรักษา

⚠️ ข้อควรระวัง:

- ตรวจสอบให้แน่ใจเสมอว่าปิดสวิตช์เครื่องมือและถอดปลั๊กออกแล้วก่อนพยายามดำเนินการตรวจสอบหรือบำรุงรักษา
- ห้ามใช้แก๊สโซลีน เบนซิน ทินเนอร์ แอลกอฮอล์ หรือสิ่งอื่นที่คล้ายกันนี้ เนื่องจากอาจทำให้เกิดไฟไหม้หรือระเบิดได้

การหล่อลื่น

- **หมายเลข 14**

ให้หล่อลื่นชิ้นส่วนดังต่อไปนี้ด้วยน้ำมันเครื่องเป็นระยะ:

1. สกรูตัวหนีบและชิ้นส่วนหมุน
2. พื้นที่สัมผัสระหว่างโครงมอเตอร์และแผ่นยึดโครงมอเตอร์
3. พื้นที่เลื่อนตัวหนีบ

การเปลี่ยนแปลงคาร์บอน

- **หมายเลข 15:** 1. ชีตจี้กัด

ถอดแปรงคาร์บอนออกมาตรวจสอบเป็นประจำ เปลี่ยนแปรงคาร์บอนเมื่อสึกหรือถึงขีดจำกัด ดูแลแปรงคาร์บอนให้สะอาดและไม่ลื่นหลุดออกจากรูยึด ควรเปลี่ยนแปลงคาร์บอนทั้งสองอันพร้อมกัน ใช้แปรงคาร์บอนแบบเดียวกันเท่านั้น

ใช้ไขควงเพื่อถอดฝาปิดที่ยึดแปรงออก นำแปรงคาร์บอนที่สึกหรือออกมา ใส่แปรงคาร์บอนใหม่เข้าไป และปิดฝาปิดที่ยึดแปรงให้แน่น

- **หมายเลข 16:** 1. ฝาปิดที่ยึดแปรง 2. ไขควง

เพื่อความปลอดภัยและความน่าเชื่อถือของผลิตภัณฑ์ ควรให้ศูนย์บริการที่ได้รับรองรับรองจาก Makita เป็นผู้ดำเนินการซ่อมแซม บำรุงรักษา และทำการปรับตั้งอื่นๆ นอกจากนี้ให้ใช้อะไหล่ของแท้จาก Makita เสมอ

อุปกรณ์เสริม

ข้อควรระวัง:

- แนะนำให้ใช้อุปกรณ์เสริมหรืออุปกรณ์ต่อพ่วงเหล่านี้กับเครื่องมือ Makita ที่ระบุในคู่มือนี้ การใช้อุปกรณ์เสริมหรืออุปกรณ์ต่อพ่วงอื่นๆ อาจมีความเสี่ยงที่จะได้รับบาดเจ็บ ใช้อุปกรณ์เสริมหรืออุปกรณ์ต่อพ่วงตามวัตถุประสงค์ที่ระบุไว้เท่านั้น

หากต้องการทราบรายละเอียดเพิ่มเติมเกี่ยวกับอุปกรณ์เสริมเหล่านี้ โปรดสอบถามศูนย์บริการ Makita ใกล้บ้านคุณ

- ล้อตัดแบบขัด
- ประแจหัวบ็อกซ์ 17
- ปุ่มปลดล๊อค

หมายเหตุ:

- อุปกรณ์บางรายการอาจรวมอยู่ในชุดเครื่องมือเป็นอุปกรณ์มาตรฐาน ซึ่งอาจแตกต่างกันไปในแต่ละประเทศ

Makita Corporation
3-11-8, Sumiyoshi-cho,
Anjo, Aichi 446-8502 Japan
www.makita.com

883390D371
EN, ZHCN, ID, MS,
VI, TH
20191107