

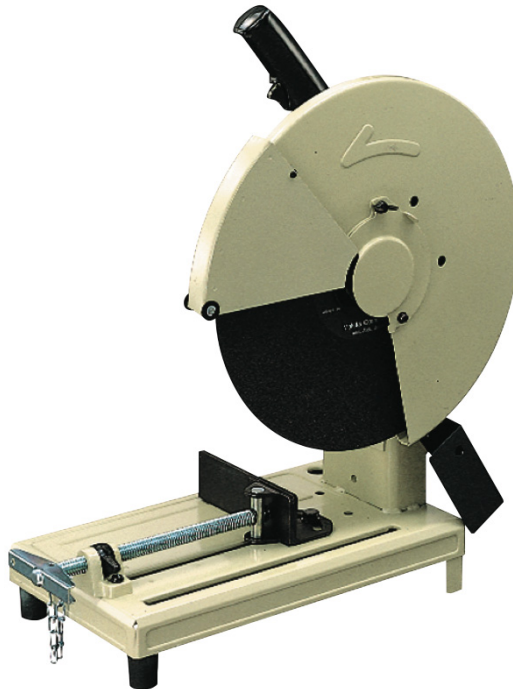


VN	VIETNAM
----	---------

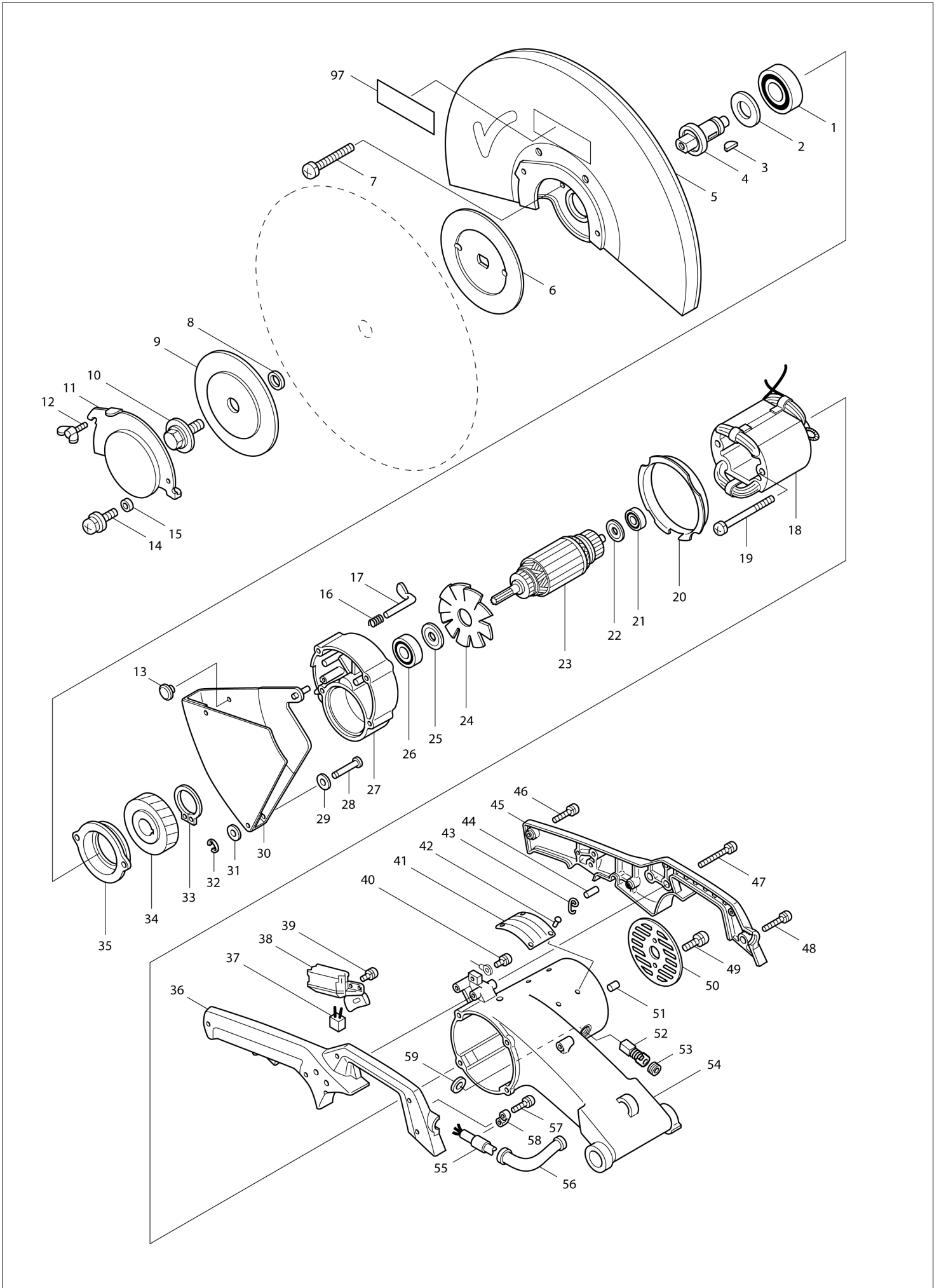
Diagram / Parts List

2416S

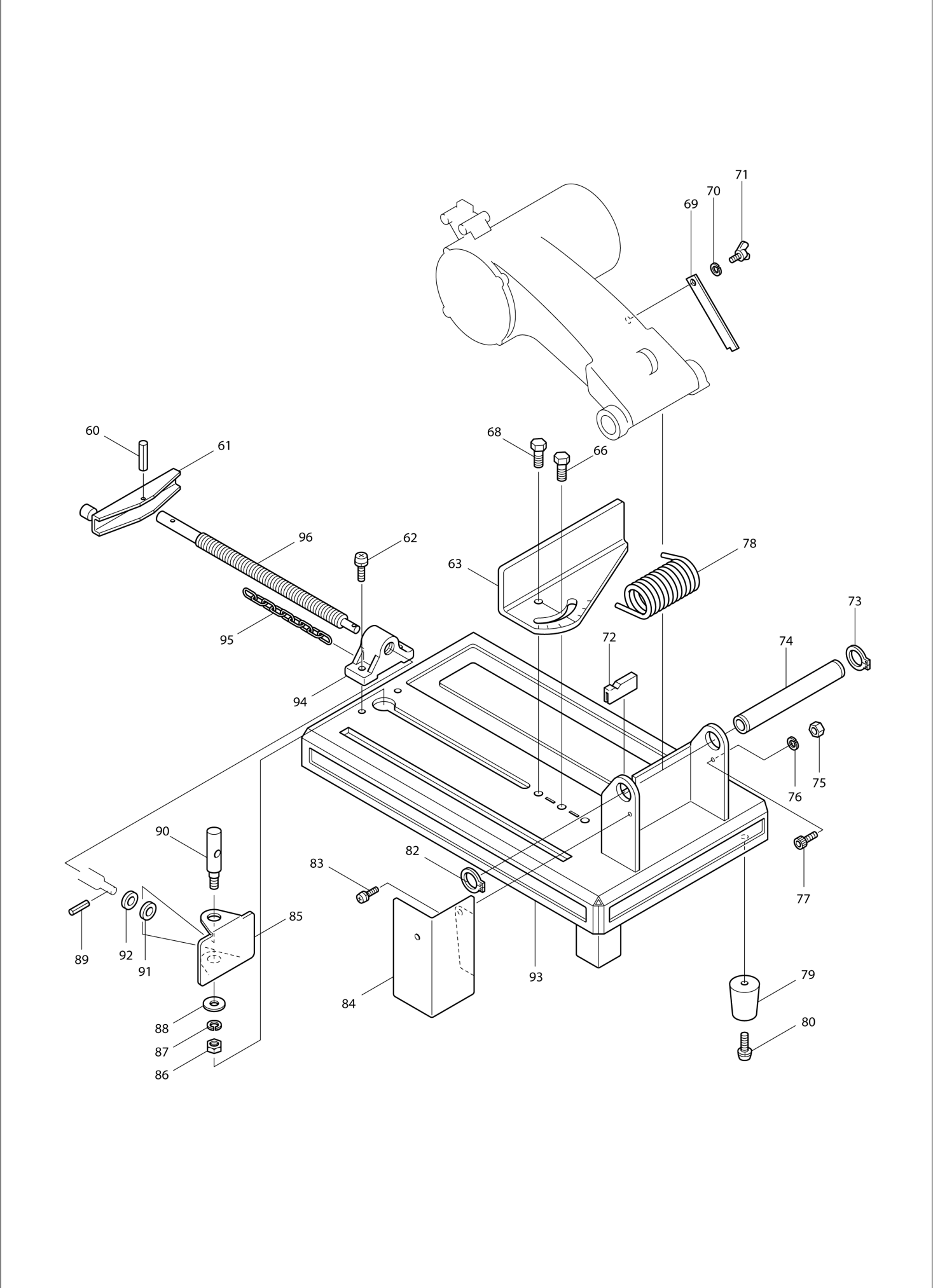
CUT-OFF 405MM



(VN) 2416S / CUT-OFF 405MM



(VN) 2416S / CUT-OFF 405MM



VN	VIETNAM
-----------	----------------

2416S / CUT-OFF 405MM

Item	Sub	Parts No.	Parts Description	Qty	I/C	E/C No.	Close No.	Remark
001		211361-5	BALL BEARING 6305LLB	1				
002		253888-9	FLAT WASHER 25	1				
003		254032-1	WOODRUFF KEY 5	1				
004		321645-4	SPINDLE	1				
005		164700-7	SAFETY COVER	1				
006		224209-2	INNER FLANGE 140	1				
007		911381-6	PAN HEAD SCREW M6X60	4				
008		257104-1	RING 22	1				
009		224208-4	OUTER FLANGE 140	1				
010		251680-7	HEX. BOLT M10X25	1				
011		342666-3	CENTER CAP	1				
012		924306-1	WING BOLT M6X10	1				
013-1		416771-3	PLUG	2				
014		911309-4	PAN HEAD SCREW M6X10	1				
015		257105-9	RING 6	1				
016		231240-1	COMPRESSION SPRING 7	1				
017		321682-8	STOPPER	1				
018C		524753-2	FIELD ASS'Y 220V	1				220V
	C10	654020-2	RING TERMINAL	2				
	C20	654502-4	CONNECTOR P-2	2				
019-1		911938-3	PAN HEAD SCREW M5X85	2				
020		343299-7	BAFFLE PLATE	1				
021		211066-7	BALL BEARING 6200LLB	1				
022		213051-6	DUST SEAL 10	1				
023C1		514883-7	ARMATURE ASS'Y 220V	1				220V
	D10		INC. 21,22,24					
024-1		241515-0	FAN 92	1				
025		253887-1	FLAT WASHER 15	1				
026		211211-4	BALL BEARING 6302LLB	1				
027-2		151829-8	GEAR HOUSING COMPLETE	1				
	C10	212104-8	NEEDLE BEARING 1212	1				
	C20	213513-4	O RING 39	1				
	C30	213561-3	O RING 42	1				
	C40	267039-8	FLAT WASHER 32	1				
028		256643-8	PIN 7	1				
029		253022-1	FLAT WASHER 8	1				
030-1		165276-7	SAFETY GUARD	1				D8985
030-2		165276-7	SAFETY GUARD	1	O	D8985		
031		253022-1	FLAT WASHER 8	1				
032		961018-5	STOP RING E-5	1				
033		961105-0	RETAINING RING S-25	1				
034		221730-2	HELICAL GEAR 53	1				
035		315636-5	BEARING HOUSING	1				
036-1		181976-1	HANDLE SET	1				
	D10		INC. 45					
038-2		651128-3	SWITCH C3D-15AS	1				
039		911113-1	PAN HEAD SCREW M4X10 WITH WR	1				
040		652014-1	PAN HEAD SCREW M4X8	1				
041-1		851469-9	NAME PLATE 2416S	1				
043		281207-9	HANGER	1				99714
043-1		281216-8	HANGER	1	O	99714		
044		256012-3	PIN 6	1				
045-1		181976-1	HANDLE SET	1				
	D10		INC. 36					
046		911148-2	PAN HEAD SCREW M4X25	4				
047		911273-9	PAN HEAD SCREW M5X50	2				
048		911253-5	PAN HEAD SCREW M5X30	1				
049		911211-1	PAN HEAD SCREW M5X12	2				
050		284010-7	REAR COVER	1				
051		263002-9	RUBBER PIN 4	1				
052-1		181044-0	CARBON BRUSH CB-153	1				66188
052-2		A-81240	CARBON BRUSH CB-153A	1	O	66188		83185
052-3		B-80117	CARBON BRUSH SET CB-153A	1	O	83185		85070
052-4		B-80329	CARBON BRUSH SET CB-153A	1	<	85070		
053		643650-4	BRUSH HOLDER CAP 6.5-13.5	2				B0305

Interchange
O : Yes
X : No
< : the new part can be substituted for the current.
> : the current part can be substituted for the new.
S : Interchangeable as a set.

