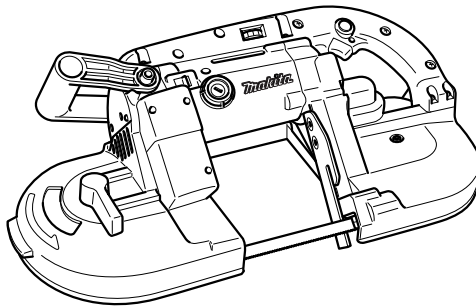




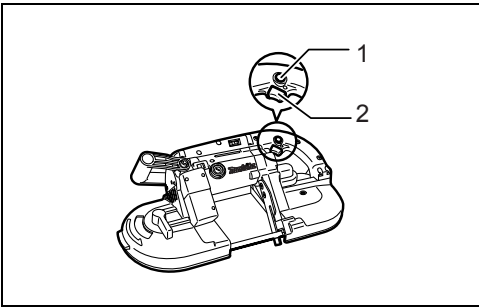
EN	Portable Band Saw	Instruction manual
ZHCN	轻便带锯	使用说明书
ID	Gergaji Pita Jinjing	Petunjuk penggunaan
VI	Máy Cưa Vòng Cầm Tay Hoạt Động Bằng Động Cơ Điện	Tài liệu hướng dẫn
TH	เลื่อยสายพานแบบพกพา	คู่มือการใช้งาน

2107F



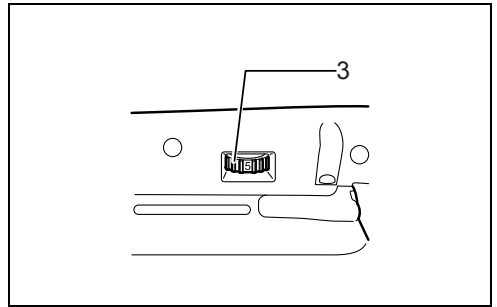
005893





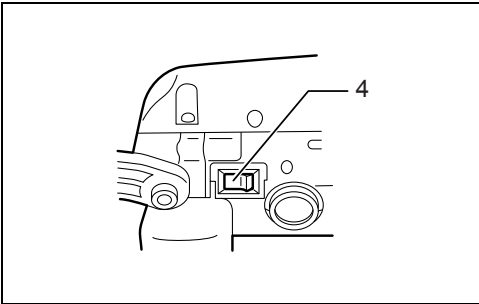
1

005894



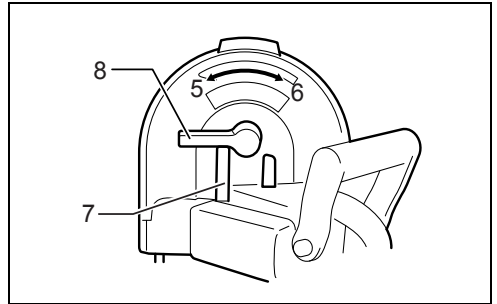
2

005896



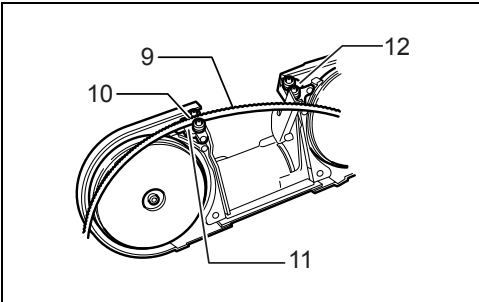
3

005897



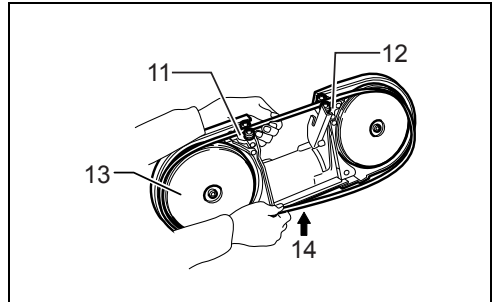
4

005898



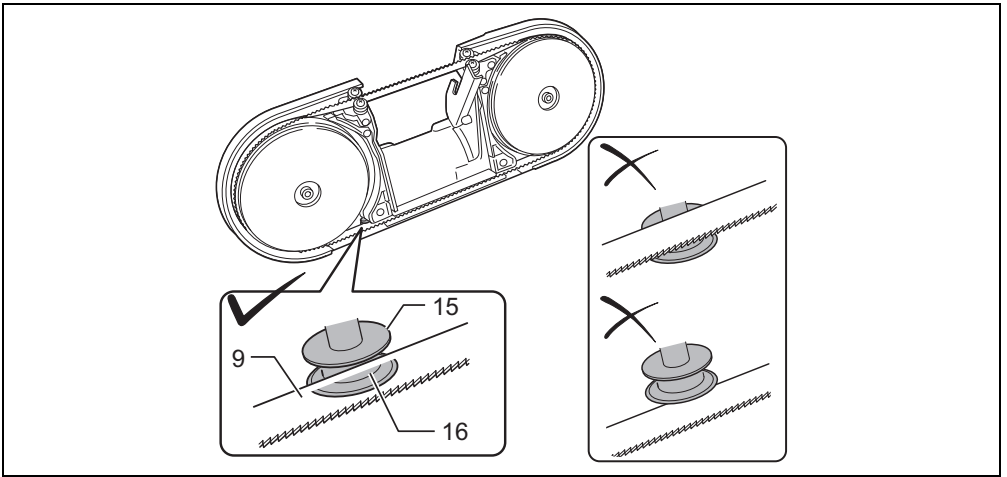
5

005900



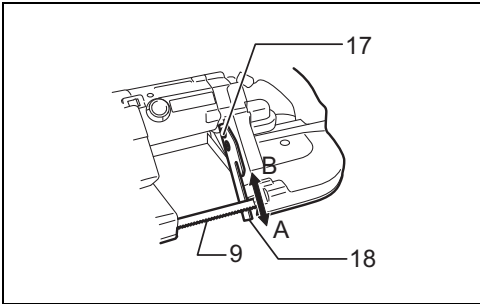
6

005901



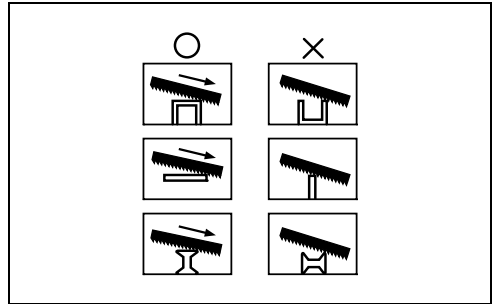
7

015673



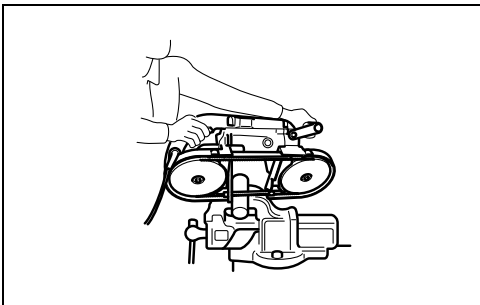
8

005902



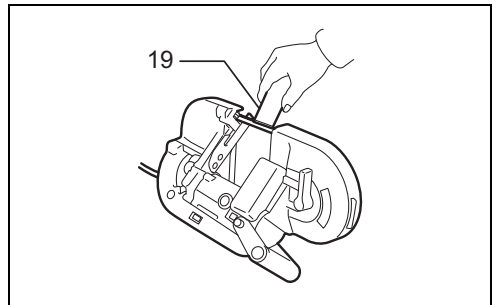
9

004747



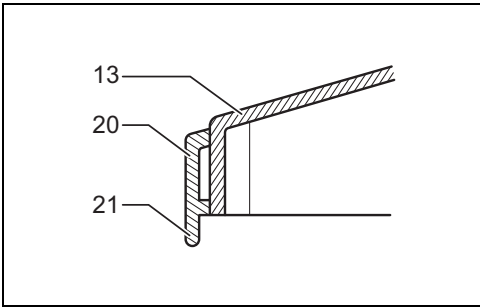
10

005916



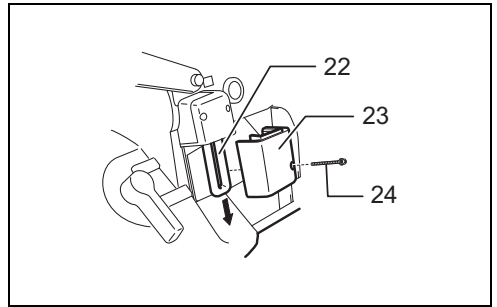
11

005903



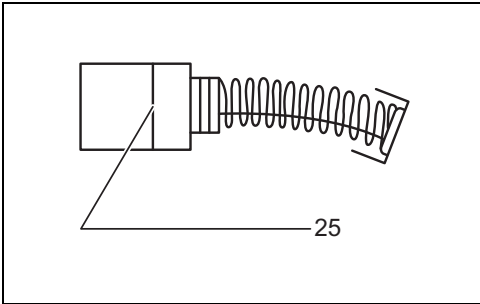
12

004750



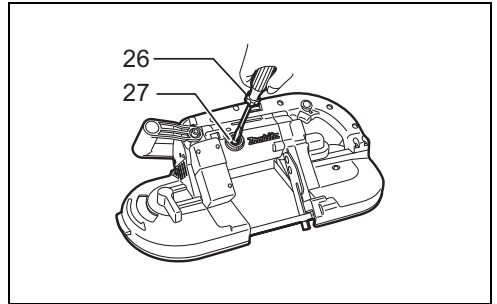
13

005905



14

001145



15

005906

ENGLISH (Original instructions)

Explanation of general view

- | | | |
|-------------------------|-------------------|----------------------|
| 1. Lock button | 10. Bearing | 19. Cutting wax |
| 2. Switch trigger | 11. Upper holder | 20. Tire |
| 3. Speed adjusting dial | 12. Lower holder | 21. Lip |
| 4. Lamp switch | 13. Wheel | 22. Fluorescent tube |
| 5. Tighten | 14. Press | 23. Lump box |
| 6. Loosen | 15. Blade guide | 24. Tapping screw |
| 7. Protrusion | 16. Groove | 25. Limit mark |
| 8. Lever | 17. Screw | 26. Screwdriver |
| 9. Blade | 18. Stopper plate | 27. Brush holder cap |

SPECIFICATIONS

Model		2107F
Max. cutting capacity	Round workpiece	120 mm dia.
	Rectangular workpiece	120 mm x 120 mm
Blade speed		1.0 - 1.7 m/s
Blade size	Length	1,140 mm
	Width	13 mm
	Thickness	0.5 mm
Overall dimensions	H x W x L	496 mm x 184 mm x 249 mm
Net weight		6.0 kg
Safety class		□/II

- Due to our continuing program of research and development, the specifications herein are subject to change without notice.
- Specifications may differ from country to country.
- Weight according to EPTA-Procedure 01/2003

Symbols

END201-7

The following show the symbols used for the equipment. Be sure that you understand their meaning before use.



... Read instruction manual.



..... DOUBLE INSULATION

Intended use

ENE009-1

The tool is intended for cutting in wood, plastic and ferrous materials.

Power supply

ENF002-2

The tool should be connected only to a power supply of the same voltage as indicated on the nameplate, and can only be operated on single-phase AC supply. They are double-insulated and can, therefore, also be used from sockets without earth wire.

General Power Tool Safety Warnings

GEA005-3

WARNING Read all safety warnings and all instructions. Failure to follow the warnings and instructions may result in electric shock, fire and/or serious injury.

Save all warnings and instructions for future reference.

The term "power tool" in the warnings refers to your mains-operated (corded) power tool or battery-operated (cordless) power tool.

Work area safety

1. **Keep work area clean and well lit.** Cluttered or dark areas invite accidents.
2. **Do not operate power tools in explosive atmospheres, such as in the presence of flammable liquids, gases or dust.** Power tools create sparks which may ignite the dust or fumes.
3. **Keep children and bystanders away while operating a power tool.** Distractions can cause you to lose control.

Electrical safety

4. **Power tool plugs must match the outlet. Never modify the plug in any way. Do not use any adapter plugs with earthed (grounded) power tools.** Unmodified plugs and matching outlets will reduce risk of electric shock.
5. **Avoid body contact with earthed or grounded surfaces such as pipes, radiators, ranges and refrigerators.** There is an increased risk of electric shock if your body is earthed or grounded.
6. **Do not expose power tools to rain or wet conditions.** Water entering a power tool will increase the risk of electric shock.

7. **Do not abuse the cord. Never use the cord for carrying, pulling or unplugging the power tool. Keep cord away from heat, oil, sharp edges or moving parts.** Damaged or entangled cords increase the risk of electric shock.
8. **When operating a power tool outdoors, use an extension cord suitable for outdoor use.** Use of a cord suitable for outdoor use reduces the risk of electric shock.
9. **If operating a power tool in a damp location is unavoidable, use a residual current device (RCD) protected supply.** Use of an RCD reduces the risk of electric shock.
10. **Use of power supply via a RCD with a rated residual current of 30 mA or less is always recommended.**

Personal safety

11. **Stay alert, watch what you are doing and use common sense when operating a power tool. Do not use a power tool while you are tired or under the influence of drugs, alcohol or medication.** A moment of inattention while operating power tools may result in serious personal injury.
12. **Use personal protective equipment. Always wear eye protection.** Protective equipment such as dust mask, non-skid safety shoes, hard hat, or hearing protection used for appropriate conditions will reduce personal injuries.
13. **Prevent unintentional starting. Ensure the switch is in the off-position before connecting to power source and/or battery pack, picking up or carrying the tool.** Carrying power tools with your finger on the switch or energising power tools that have the switch on invites accidents.
14. **Remove any adjusting key or wrench before turning the power tool on.** A wrench or a key left attached to a rotating part of the power tool may result in personal injury.
15. **Do not overreach. Keep proper footing and balance at all times.** This enables better control of the power tool in unexpected situations.
16. **Dress properly. Do not wear loose clothing or jewellery. Keep your hair, clothing, and gloves away from moving parts.** Loose clothes, jewellery or long hair can be caught in moving parts.
17. **If devices are provided for the connection of dust extraction and collection facilities, ensure these are connected and properly used.** Use of dust collection can reduce dust-related hazards.

Power tool use and care

18. **Do not force the power tool. Use the correct power tool for your application.** The correct power tool will do the job better and safer at the rate for which it was designed.
19. **Do not use the power tool if the switch does not turn it on and off.** Any power tool that cannot be controlled with the switch is dangerous and must be repaired.
20. **Disconnect the plug from the power source and/or the battery pack from the power tool before making any adjustments, changing accessories, or storing power tools.** Such preventive safety

measures reduce the risk of starting the power tool accidentally.

21. **Store idle power tools out of the reach of children and do not allow persons unfamiliar with the power tool or these instructions to operate the power tool.** Power tools are dangerous in the hands of untrained users.
22. **Maintain power tools. Check for misalignment or binding of moving parts, breakage of parts and any other condition that may affect the power tool's operation. If damaged, have the power tool repaired before use.** Many accidents are caused by poorly maintained power tools.
23. **Keep cutting tools sharp and clean.** Properly maintained cutting tools with sharp cutting edges are less likely to bind and are easier to control.
24. **Use the power tool, accessories and tool bits etc. in accordance with these instructions, taking into account the working conditions and the work to be performed.** Use of the power tool for operations different from those intended could result in a hazardous situation.

Service

25. **Have your power tool serviced by a qualified repair person using only identical replacement parts.** This will ensure that the safety of the power tool is maintained.
26. **Follow instruction for lubricating and changing accessories.**
27. **Keep handles dry, clean and free from oil and grease.**

PORTABLE BAND SAW SAFETY WARNINGS

GEB005-5

1. **Hold power tool by insulated gripping surfaces, when performing an operation where the cutting accessory may contact hidden wiring or its own cord.** Cutting accessories contacting a "live" wire may make exposed metal parts of the power tool "live" and could give the operator an electric shock.
2. **Use only blades which are 1,140 mm (44-7/8") long, 13 mm (1/2") wide, and 0.5 mm (.020") thick.**
3. **Check the blade carefully for cracks or damage before operation. Replace cracked or damaged blade immediately.**
4. **Secure the workpiece firmly. When cutting a bundle of workpieces, be sure that all workpieces are secured together firmly before cutting.**
5. **Cutting workpieces covered with oil can cause the blade to come off unexpectedly. Wipe off all excess oil from workpieces before cutting.**
6. **Never use the cutting oil as a cutting lubricant. Use only Makita cutting wax.**
7. **Do not wear gloves during operation.**
8. **Hold the tool firmly with both hands.**
9. **Keep hands away from rotating parts.**
10. **When cutting metal, be cautious of hot flying chips.**
11. **Do not leave the tool running unattended.**

12. Do not touch the blade or the workpiece immediately after operation; they may be extremely hot and could burn your skin.

SAVE THESE INSTRUCTIONS.

WARNING:

DO NOT let comfort or familiarity with product (gained from repeated use) replace strict adherence to safety rules for the subject product. MISUSE or failure to follow the safety rules stated in this instruction manual may cause serious personal injury.

FUNCTIONAL DESCRIPTION

CAUTION:

- Always be sure that the tool is switched off and unplugged before adjusting or checking function on the tool.

Switch action (Fig. 1)

CAUTION:

- Before plugging in the tool, always check to see that the switch trigger actuates properly and returns to the "OFF" position when released.

To start the tool, simply pull the switch trigger. Release the switch trigger to stop.

For continuous operation, pull the switch trigger and then push in the lock button.

To stop the tool from the locked position, pull the switch trigger fully, then release it.

Speed adjusting dial (Fig. 2)

The tool speed can be infinitely adjusted between 1.0 m/s and 1.7 m/s by turning the adjusting dial. Higher speed is obtained when the dial is turned in the direction of number 5; lower speed is obtained when it is turned in the direction of number 1.

Select the proper speed for the workpiece to be cut.

CAUTION:

- The speed adjusting dial can be turned only as far as 5 and back to 1. Do not force it past 5 or 1, or the speed adjusting function may no longer work.

Lighting up the lamps (Fig. 3)

CAUTION:

- Do not apply impact to the light, which may cause damage or shortened service time to it.

To turn on the lamp, press the "I" (ON) side of the lamp switch. Press the "O" (OFF) side to turn it off.

NOTE:

- Use a dry cloth to wipe the dirt off the lens of lamp. Be careful not to scratch the lens of lamp, or it may lower the illumination.
- Do not use thinner or gasoline to clean the lamp. Such solvents may damage it.
- After operation, always turn off the light by pressing the "O (OFF)" side.

ASSEMBLY

CAUTION:

- Always be sure that the tool is switched off and unplugged before carrying out any work on the tool.

Installing or removing the blade

CAUTION:

- Oil on the blade can cause the blade to slip or come off unexpectedly. Wipe off all excess oil with a cloth before installing the blade.
- Use caution when handling the blade so that you are not cut by the sharp edge of the blade teeth.

Turn the blade tightening lever clockwise until it hits against the protrusion on the frame. (Fig. 4)

Match the direction of the arrow on the blade to that of the arrow on the wheels. (Fig. 5)

Insert the blade between the bearings of the upper holder first and then into the lower holder. The blade back should contact the bearings in the lower portion of the upper holder and lower holder.

Position the blade around the wheels and insert the other side of the blade within the upper holder and lower holder until the blade back contacts the bottom of the upper holder and lower holder. (Fig. 6 & 7)

Put the blade into the groove in the blade guide.

Hold the blade in place and turn the blade-tightening lever counterclockwise until it hits against the protrusion on the frame. This places proper tension on the blade. Make sure that the blade is correctly positioned within the blade guard and around the wheels.

Start and stop the tool two or three times to make sure that the blade runs properly on the wheels.

CAUTION:

- While making sure that the blade runs on the wheels properly, keep your body away from the blade area.

To remove the blade, follow the installation procedure in reverse.

CAUTION:

- When turning the blade tightening lever clockwise to release the tension on the blade, point the tool downward because the blade may come off unexpectedly.

Adjusting the protrusion of stopper plate (Fig. 8)

In the ordinary operation, protrude the stopper plate to the A side fully.

When the stopper plate strikes against the obstacles like a wall or the like at the finishing of a cut, loosen two screws and slide it to the B side in the figure.

After sliding the stopper plate, secure it by tightening two screws firmly.

OPERATION

It is important to keep at least two teeth in the cut. Select the proper cutting position for your workpiece by referring to the figure. (Fig. 9)

Hold the tool by both hands as shown in the figure with the stopper plate contacting the workpiece and the blade clear of the workpiece. (Fig. 10)

Turn the tool on and wait until the blade attains full speed. Gently lower the blade into the cut. The weight of the tool or slightly pressing the tool will supply adequate pressure for the cutting. Do not force the tool.

As you reach the end of a cut, release pressure and, without actually raising the tool, lift it slightly so that it will not fall against the workpiece.

⚠ CAUTION:

- Applying excessive pressure to the tool or twisting of the blade may cause bevel cutting or damage to the blade.
- When not using the tool for a long period of time, remove the blade from the tool. (Fig. 11)

When cutting metals, use Makita cutting wax as a cutting lubricant. To apply the cutting wax to the blade teeth, start the tool and cut in to the cutting wax as shown in the figure after removing a cap of the cutting wax.

⚠ CAUTION:

- Never use cutting oil or apply excessive amount of wax to the blade. It may cause the blade to slip or come off unexpectedly.
- When cutting cast iron, do not use any cutting wax.

MAINTENANCE

⚠ CAUTION:

- Always be sure that the tool is switched off and unplugged before attempting to perform inspection or maintenance.
- Never use gasoline, benzine, thinner, alcohol or the like. Discoloration, deformation or cracks may result.

Cleaning

After use, remove wax, chips and dust from the tool, wheel tires and blade.

⚠ CAUTION:

- Never use solvents such as turpentine, gasoline, lacquer, etc. to clean plastic parts.
- Wax and chips on the tires may cause the blade to slip and come off unexpectedly. Use a dry cloth to remove wax and chips from the tires.

Replacing tires on wheels (Fig. 12)

When the blade slips or does not track properly because of badly worn tires, or the lip of the tire on motor side gets damaged, the tires should be replaced.

Replacing fluorescent tube (Fig. 13)

⚠ CAUTION:

- Always be sure that the tool is switched off and unplugged before replacing the fluorescent tube.
- Do not apply force, impact or scratch to a fluorescent tube, which can cause a glass of the fluorescent tube to be broken resulting in an injury to you or your bystanders.
- Leave the fluorescent tube for a while immediately after a use of it and then replace it. If not. You may burn yourself.

Remove screws, which secure Lamp Box for the light. Pull out the Lamp Box keeping pushing lightly the upper position of it as illustrated on the left. Pull out the fluorescent tube and then replace it with Makita original new one.

Replacing carbon brushes (Fig. 14)

Remove and check the carbon brushes regularly. Replace when they wear down to the limit mark. Keep the carbon brushes clean and free to slip in the holders. Both carbon brushes should be replaced at the same time. Use only identical carbon brushes.

Use a screwdriver to remove the brush holder caps. Take out the worn carbon brushes, insert the new ones and secure the brush holder caps. (Fig. 15)

To maintain product SAFETY and RELIABILITY, repairs, any other maintenance or adjustment should be performed by Makita Authorized Service Centers, always using Makita replacement parts.

OPTIONAL ACCESSORIES

⚠ CAUTION:

- These accessories or attachments are recommended for use with your Makita tool specified in this manual. The use of any other accessories or attachments might present a risk of injury to persons. Only use accessory or attachment for its stated purpose.

If you need any assistance for more details regarding these accessories, ask your local Makita Service Center.

- Band saw blades
- Hex wrench 4
- Cutting wax
- Portable band saw stand

NOTE:

- Some items in the list may be included in the tool package as standard accessories. They may differ from country to country.

总图说明

- | | | |
|-----------|-----------|------------|
| 1. 锁钮 | 10. 轴承 | 19. 切割蜡 |
| 2. 开关扳机 | 11. 上部固定器 | 20. 轮胎 |
| 3. 速度调节转盘 | 12. 下部固定器 | 21. 唇口 |
| 4. 灯泡开关 | 13. 砂轮 | 22. 荧光灯管 |
| 5. 拧紧 | 14. 按下 | 23. 灯箱 |
| 6. 拧松 | 15. 刀轨 | 24. 自攻螺钉 |
| 7. 凸起 | 16. 凹槽 | 25. 限位标记 |
| 8. 杆 | 17. 螺钉 | 26. 螺丝刀 |
| 9. 刀片 | 18. 止动板 | 27. 碳刷固定器盖 |



规格


型号		2107F
最大切割能力	圆形工件	120 mm 直径
	矩形工件	120 mm x 120 mm
带锯速度		1.0 - 1.7 m/s
刀片大小	长度	1,140 mm
	宽度	13 mm
	厚度	0.5 mm
总长	H x W x L	496 mm x 184 mm x 249 mm
净重		6.0 kg
安全等级		回/II

- 鉴于我司将持续实施研发计划，此处规格如有变更，恕不另行通知。
- 本产品在各个国家的规格可能有所不同。
- 本产品的重量符合 EPTA-01/2003 规程的标准

符号 END201-7

下列所示为用于设备的符号。请确保在使用前理解各个符号的含义。

  ... 请阅读操作手册。

 双重绝缘

设计用途 ENE009-1

该工具设计用于锯切木材、塑料和黑色金属材料。

电源 ENF002-2

本工具只能连接铭牌上所示的电源，只能在单相交流电源下作业。此类工具为双重绝缘，因此也可以从未接地线的插座使用本工具。

电动工具一般安全警告 GEA005-3

⚠ 警告 请仔细阅读所有的安全警告和操作指示。违反这些警告和指示可能导致触电、火灾和 / 或严重的人身伤害事故。

请妥善保存所有的警告和操作指示以备日后参考。

在该警告中的“电动工具”是指电网电源供电（接电源线）的电动工具或电池驱动（充电式）电动工具。

工作区域安全

1. **保持工作区域干净，照明良好。** 杂乱或黑暗的工作场所容易引发事故。

2. 不得在有爆炸性危险的环境（如存在易燃液体、气体和粉尘）中使用电动工具。操作电动工具时会产生火花，而这可能引燃粉尘或烟雾。
3. 操作电动工具时，请让儿童和旁观者远离工作区域。注意力分散可能导致操作失控。

电气安全

4. 电动工具的插头必须与插座相匹配。切勿以任何方式对插头进行改装。转接插头不得和接了地线的电动工具一起使用。未经改动的插头和相匹配的插座有利于减少电击危险。
5. 避免身体与接地的物体接触，如水管、散热器、电炉和电冰箱等。如果您的身体接地了，会增加电击的危险。
6. 不得将电动工具暴露在雨中或湿的环境中。如果有水进入电动工具将增加电击的危险。
7. 请勿不当使用电线。切勿用导线拖携工具或拔下电动工具的插头。将电线保存在远离高温、油垢、锐边或移动部件之处。损坏或缠绕的电线会增加电击危险。
8. 当在户外操作电动工具时，只能使用合适的户外专用延长电线。使用合适的户外专用电线将减少电击危险。
9. 如果不能避免在潮湿的环境中使用电动工具，请使用受剩余电流装置（RCD）保护的电源。使用 RCD 可减少电击危险。
10. 建议务必使用 RCD 的额定剩余电流为 30 mA 或更小的电源。

人身安全

11. 操作电动工具时请保持警惕，注意您的操作并运用常识。疲惫、饮酒或服用毒品、药物之后，切勿操作电动工具。使用电动工具时只要稍微分心便可能导致严重的人身伤害事故。
12. 请使用个人劳防用品。总是佩戴护目镜。根据使用情况穿戴合适的防护装备，例如防尘面罩、止滑工作鞋、安全帽或耳罩，可降低人身伤害事故发生的几率。
13. 防止意外启动。在连接电源和 / 或电池组、拿起或搬运工具之前，请确保开关处于关闭位置。如果在提携电动工具时，您的手指触碰了开关，或连接电源时，

开关仍然处于启动位置，都可能引发意外事故。

14. 电动工具开机前，除去任何调节工具或扳手。电动工具的旋转部件上如果还插有扳手或调节工具可能会导致人身伤害。
15. 避免错误的持机姿势。务必站稳并始终保持平衡。正确的操作姿势能够帮助您在突发状况下及时控制住电动工具。
16. 合理着装。请勿穿戴宽松的衣服或佩戴首饰。保持头发、衣服、手套等远离移动机件。宽松的衣服、首饰或长头发可能会被卡入移动机件中。
17. 如果设备能连接除尘或集尘装置，确保这些装置已经连接并被正确使用。使用集尘装置可减少尘屑相关的危害。

电动工具使用和保养

18. 不要滥用电动工具。根据应用情况选择适合的电动工具。正确地选用电动工具可以在规定的功率范围中，更有效率更安全的操作机器。
19. 不要使用开关故障的电动工具。如果无法正常操控起停开关，极易在操作机器时产生意外，必须进行修理。
20. 在调整机器设置、更换配件或存放电动工具前，必须先断开插头与电源的连接和 / 或从电动工具中取出电池组。这些预防性的安全措施能减少意外启动电动工具的危险。
21. 将不用的电动工具保存在儿童接触不到的地方。禁止不熟悉电动工具或这些操作说明的人员使用电动工具。未经训练的人员操作电动工具是危险的行为。
22. 保养电动工具。检查运动部件是否有偏差或粘连，部件是否破损，以及其它可能会影响工具运行的情况。如有损坏，使用前需修理完毕。很多事故都是由于没有对电动工具进行很好维护造成的。
23. 切割工具必须保持锋利和清洁。经过细心保养且刀刃锋利的切割工具不易被夹住，并较容易操作。
24. 使用电动工具、配件和刀头等时应考虑工作条件和要进行工作的性质，遵循相应的操作指示。将电动工具用于既定用途以外的目的时，可能会导致危险。

维修

25. 电动工具只能由有相关资质的维修人员进行修理，修理时只能使用原厂零配件。唯有如此才能确保电动工具的安全性。
26. 按照要求对配件进行润滑和更换。
27. 保持手柄干燥、清洁，避免油、脂污染。

轻便带锯安全警告

GEB005-5

1. 在切割配件可能接触隐藏线路或其自身线缆的地方进行操作时，通过绝缘的夹持表面固定电动工具。切割配件接触“带电”的电线可能使电动工具暴露的金属部件“带电”，并且可能给操作者造成电击。
2. 仅使用长 1,140 mm，宽 13 mm、厚 0.5 mm 的刀片。
3. 操作前仔细检查刀片有无裂纹或损坏。应立即更换有裂纹或损坏的刀片。
4. 牢牢固定工件。切割一捆工件时，请确保在切割前将所有工件牢固地固定在一起。
5. 切割有油的工件可能导致刀片意外脱落。切割前擦去工件上的所有多余油脂。
6. 切勿使用切削油作为切削润滑剂。仅使用牧田切削蜡。
7. 操作时请勿戴手套。
8. 要用双手握紧工具。
9. 请让双手远离旋转部件。
10. 切割金属时，小心飞溅的高温碎屑。
11. 不可让工具在无人时运行。
12. 在操作结束之后不要马上触摸刀片或工件；因为它们可能温度极高，从而会灼伤皮肤。

请保留此说明书。

⚠警告：

不要因为舒适或对产品熟悉（因重复使用而获得）而不严格遵守产品的安全准则。工具使用不当或未遵守本说明书所列的安全规则可能导致严重的人身伤害。

功能说明

△注意：

- 在工具上调整和检查功能前，务必关闭工具开关并拔下插头。

开关操作（图 1）

△注意：

- 插入工具前，务必检查确定开关扳机正常开动，并在释放时，返回到“OFF”（关）位置。

启动工具时，只需要拉出开关扳机。释放开关扳机时，工具停止。

如要连续操作，拉起开关扳机，然后按下锁钮。

如要停止工具处于锁定位置，请完全拉出开关扳机，然后松开。

速度调节转盘（图 2）

通过转动调节转盘，可以在 1.0 m/s 和 1.7 m/s 之间无级调节刀具速度。当转盘朝数字 5 的方向转动时，获得更高的速度；当朝数字 1 的方向转动时，获得较低的速度。选择适合切割工件的速度。

△注意：

- 速度调节转盘只能转到 5 并返回 1。请勿强行超过 5 或 1，否则速度调节功能可能不再起作用。

点亮灯泡（图 3）

△注意：

- 请勿撞击灯，否则可能会造成损坏或缩短维修时间。

如要点亮灯泡，请按下灯泡开关的“1”（ON）（开）侧。按“0”（OFF）（关）侧将其关闭。

注：

- 用干布擦去灯泡上的污垢。小心不要划伤灯泡，否则可能会降低照明。
- 不要使用稀释剂或汽油来清洁灯泡。这些溶剂可能会损坏它。
- 操作后，请务必按“0（OFF）”（关）侧关闭灯。

组装

⚠注意:

- 在工具上执行任何工作前，务必关闭工具开关并拔出插头。

安装或拆除刀片

⚠注意:

- 刀片上的机油可能导致刀片意外滑动或脱落。在安装刀片之前，用布擦去所有多余的机油。
- 处理刀片时要小心，这样刀片齿的锋利边缘就不会切割。

顺时针转动刀片拧紧杆，直至其碰到框架上的凸起。(图 4)

使刀片上的箭头方向与轮子上的箭头方向相匹配。(图 5)

首先将刀片插入上部固定器的轴承之间，然后插入下部固定器。刀背应与上部固定器的下部 and 下部固定器的轴承接触。

将刀片放在轮子周围，将刀片的另一侧插入上部固定器和下部固定器，直到刀背接触上部固定器和下部固定器的底部。(图 6 和 7)

将刀片放入刀片导向器的凹槽中。

将刀片固定到位并逆时针转动刀片拧紧杆，直至其碰到框架上的凸起。这会在刀片上施加适当的张力。确保刀片正确定位在刀片防护罩内和轮子周围。

启动和停止工具两到三次，以确保刀片在轮子上正常运行。

⚠注意:

- 确保刀片在轮子上正确运行时，请保持身体远离刀片区域。

如要拆下刀片，请按安装的反向顺序执行。

⚠注意:

- 顺时针转动刀片拧紧杆以释放刀片上的张力时，请将工具向下指，因为刀片可能意外脱落。

调整止动板的凸起 (图 8)

在通常的操作中，将止动板完全伸出到 A 侧。

止动板在切割完成时如果撞击到障碍物（如墙壁等），松开两个螺钉并将其滑动到图中的 B 侧。

滑动止动板后，拧紧两个螺钉将其固定。

操作

保持至少有两个齿在切面上是非常重要的。

选择工件的正确切割位置，参考图片。

(图 9)

如图所示，双手握住工具，止动板接触工件，刀片离开工件。(图 10)

打开工具电源，等待直到锯片达到全速。稍稍降低锯片到切面上。通过工具的重量或轻轻按下工具将提供足够的切割压力。不要强行使用该工具。

当您到达切口的末端时，释放压力，并且在实际抬起工具的情况下，稍微抬起它，使其不会落在工件上。

⚠注意:

- 在工具上施加过大的压力或扭曲刀片可能引起斜切或损坏刀片。
- 长期不使用工具时，将刀片从工具上拆下。(图 11)

切割金属时，请使用牧田切割蜡作为切削润滑剂。为了将切割蜡涂在刀片齿上，请在取下切割蜡盖后，启动工具并切入切割蜡，如图所示。

⚠注意:

- 切勿使用切削油或在刀片上涂抹过量的蜡。它可能导致刀片意外滑动或脱落。
- 切割铸铁时，请勿使用任何切割蜡。

维护

⚠注意:

- 尝试进行检查或维护前，务必关闭工具开关，拔出电源插头。
- 不得使用汽油、苯、稀释剂、酒精或其它类似产品。否则可能出现退色、变形或裂缝。

清理

使用后，清除工具、轮胎和刀片上的蜡、碎屑和灰尘。

⚠注意:

- 切勿使用松节油、汽油、清漆等溶剂清洁塑料部件。
- 轮胎上的蜡和碎屑可能导致刀片滑动并意外脱落。用干布擦去轮胎上的蜡和碎屑。

- 带锯刀片
- 六角扳手 4
- 切割蜡
- 手提式带锯支架

注:

- 列表中的某些物品可能已经作为标准附件包括在了工具包装中。它们可能在不同国家各异。

更换轮子上的轮胎 (图 12)

当刀片因轮胎严重磨损而滑动或不能正确跟踪, 或者电机侧轮胎的唇部受损时, 应更换轮胎。

更换荧光灯管 (图 13)

⚠注意:

- 在更换荧光灯管前, 务必关闭工具开关并拔下插头。
- 不要对荧光灯管加力、撞击或刮擦, 这会导致荧光灯管破裂, 使您或旁观者受伤。
- 使用后立即将荧光灯管放置一段时间, 然后更换。否则, 可能会烫伤自己。

拧下用于固定灯箱的螺丝。

拉出灯箱, 保持轻轻推动它的上部位置, 如左图所示。

拉出荧光灯管, 然后用牧田原装新灯泡更换它。

更换碳刷 (图 14)

定期拆下并检查碳刷。当碳刷磨损至限位标记时更换。保持碳刷清洁, 能在固定器中自由滑动。两个碳刷应同时更换。仅使用相同的碳刷。

使用螺丝刀拆下碳刷固定器盖。取出磨损的碳刷, 插入新碳刷, 拧紧碳刷固定器盖。

(图 15)

为了保持产品的安全和可靠性, 维修或其它任何维护和调整工作应当由牧田授权维修中心进行, 且务必使用牧田的替换零件。

选配附件

⚠注意:

- 这些配件或附件建议用于本手册指定的牧田工具。使用任何其它配件或附件可能造成人身伤害的危险。仅将配件或附件用于规定用途。

如果您需要任何帮助以获得有关这些配件的更多详细信息, 请咨询当地的牧田服务中心。

BAHASA INDONESIA (Petunjuk Asli)

Penjelasan tampilan keseluruhan

1. Tombol kunci	10. Bantalan	19. Lilin pelumas pemotongan
2. Picu sakelar	11. Penahan atas	20. Ban
3. Tombol-putar penyetel kecepatan	12. Penahan bawah	21. Bibir
4. Sakelar lampu	13. Roda	22. Lampu fluoresens (TL)
5. Kencangkan	14. Tekan	23. Boks lampu
6. Kendurkan	15. Pemandu bilah	24. Sekrup pengetap
7. Tonjolan	16. Alur	25. Garis batas
8. Tuas	17. Sekrup	26. Obeng
9. Bilah	18. Pelat penghenti	27. Tutup borstel arang

SPESIFIKASI

Model		2107F
Kemampuan pemotongan maks.	Benda kerja bundar	Diameter 120 mm
	Benda kerja persegi	120 mm x 120 mm
Kecepatan bilah		1,0 - 1,7 m/det
Ukuran bilah	Panjang	1.140 mm
	Lebar	13 mm
	Ketebalan	0,5 mm
Dimensi keseluruhan	T x L x P	496 mm x 184 mm x 249 mm
Berat bersih		6,0 kg
Kelas keamanan		□/II

- Karena kesinambungan program penelitian dan pengembangan kami, spesifikasi yang disebutkan di sini dapat berubah tanpa pemberitahuan.
- Spesifikasi dapat berbeda dari satu negara ke negara lainnya.
- Berat menurut Prosedur EPTA 01/2003

Simbol-simbol END201-7

Berikut ini adalah simbol-simbol yang digunakan pada mesin ini. Pastikan Anda mengerti makna masing-masing simbol sebelum menggunakan mesin ini.



... Baca petunjuk penggunaan.



..... ISOLASI GANDA


Maksud penggunaan ENE009-1

Mesin ini dimaksudkan untuk memotong kayu, plastik, dan bahan mengandung besi.

Pasokan daya ENF002-2

Alat harus terhubung dengan pasokan daya listrik yang bervoltase sama dengan yang tertera pada pelat nama, dan hanya dapat dijalankan dengan listrik AC fase tunggal. Alat ini diisolasi ganda dan oleh sebab itu dapat dihubungkan dengan soket tanpa arde.

Peringatan Keselamatan Umum Mesin Listrik GEA005-3

 **PERINGATAN** Bacalah semua peringatan keselamatan dan semua petunjuk. Kelalaian mematuhi peringatan dan petunjuk dapat menyebabkan sengatan listrik, kebakaran dan/atau cedera serius.

Simpanlah semua peringatan dan petunjuk untuk acuan di masa depan.

Istilah "mesin listrik" dalam semua peringatan mengacu pada mesin listrik yang dijalankan dengan sumber listrik jala-jala (berkabel) atau baterai (tanpa kabel).

Keselamatan tempat kerja

1. **Jagalah tempat kerja selalu bersih dan berpenerangan cukup.** Tempat yang berantakan atau gelap mengundang kecelakaan.
2. **Jangan mengoperasikan mesin listrik dalam atmosfer yang mudah meledak, seperti bila ada cairan, gas, atau debu mudah menyala.** Mesin listrik menimbulkan percikan api yang dapat menyalakan debu atau uap tersebut.
3. **Jauhkan anak-anak dan orang lain saat menggunakan mesin listrik.** Bila perhatian terpecah, Anda dapat kehilangan kendali.

Keamanan kelistrikan

4. **Steker mesin listrik harus cocok dengan stopkontak.** Jangan sekali-kali mengubah steker dengan cara apa pun. Jangan menggunakan steker adaptor dengan mesin listrik berarde (dibumikan). Steker yang tidak diubah dan stopkontak yang cocok akan mengurangi risiko sengatan listrik.
5. **Hindari sentuhan tubuh dengan permukaan berarde atau yang dibumikan seperti pipa,**

radiator, kompor, dan kulkas. Risiko sengatan listrik bertambah jika tubuh Anda terbumikan atau terarde.

6. **Jangan membiarkan mesin listrik kehujanan atau kebasahan.** Air yang masuk ke dalam mesin listrik akan meningkatkan risiko sengatan listrik.
7. **Jangan menyalahgunakan kabel. Jangan sekali-kali menggunakan kabel untuk membawa, menarik, atau mencabut mesin listrik dari stopkontak. Jauhkan kabel dari panas, minyak, tepian tajam, atau bagian yang bergerak.** Kabel yang rusak atau kusut memperbesar risiko sengatan listrik.
8. **Bila menggunakan mesin listrik di luar ruangan, gunakan kabel ekstensi yang sesuai untuk penggunaan di luar ruangan.** Penggunaan kabel yang sesuai untuk penggunaan luar ruangan mengurangi risiko sengatan listrik.
9. **Jika mengoperasikan mesin listrik di lokasi lembap tidak dapat dihindari, gunakan pasokan daya yang dilindungi piranti imbasan arus (residual current device - RCD).** Penggunaan RCD mengurangi risiko sengatan listrik.
10. **Penggunaan pasokan daya melalui RCD dengan kapasitas arus sisa 30 mA atau kurang selalu dianjurkan.**

Keselamatan diri

11. **Jaga kewaspadaan, perhatikan pekerjaan Anda dan gunakan akal sehat bila menggunakan mesin listrik. Jangan menggunakan mesin listrik saat Anda lelah atau di bawah pengaruh obat bius, alkohol, atau obat.** Sekejaip saja lalai saat menggunakan mesin listrik dapat menyebabkan cedera diri yang serius.
12. **Gunakan alat pelindung diri. Selalu kenakan pelindung mata.** Peralatan pelindung seperti masker debu, sepatu pengaman anti-selip, helm pengaman, atau pelindung telinga yang digunakan untuk kondisi yang sesuai akan mengurangi risiko cedera diri.
13. **Cegah penyalaaan yang tidak disengaja. Pastikan bahwa sakelar berada dalam posisi mati (off) sebelum menghubungkan mesin ke sumber daya dan/atau baterai, atau mengangkat atau membawanya.** Membawa mesin listrik dengan jari Anda pada sakelarnya atau mengalirkan listrik pada mesin listrik yang sakelarnya hidup (on) akan mengundang kecelakaan.
14. **Lepaskan kunci-kunci penyetel sebelum menghidupkan mesin listrik.** Kunci-kunci yang masih terpasang pada bagian mesin listrik yang berputar dapat menyebabkan cedera.
15. **Jangan meraih terlalu jauh. Jagalah pijakan dan keseimbangan sepanjang waktu.** Hal ini memungkinkan kendali yang lebih baik atas mesin listrik dalam situasi yang tidak diharapkan.
16. **Kenakan pakaian yang sesuai. Jangan memakai pakaian yang kedodoran atau perhiasan. Jaga jarak antara rambut, pakaian, dan sarung tangan Anda dengan bagian mesin yang bergerak.** Pakaian kedodoran, perhiasan, atau rambut panjang dapat tersangkut pada bagian yang bergerak.
17. **Jika tersedia fasilitas untuk menghisap dan mengumpulkan debu, pastikan fasilitas tersebut terhubung listrik dan digunakan dengan baik.**

Penggunaan pembersih debu dapat mengurangi bahaya yang terkait dengan debu.

Penggunaan dan pemeliharaan mesin listrik

18. **Jangan memaksa mesin listrik. Gunakan mesin listrik yang tepat untuk keperluan Anda.** Mesin listrik yang tepat akan menuntaskan pekerjaan dengan lebih baik dan aman pada kecepatan sesuai rancangannya.
 19. **Jangan gunakan mesin jika saklar tidak bisa menghidupkan atau mematikannya.** Mesin listrik yang tidak dapat dikendalikan dengan sakelarnya adalah berbahaya dan harus diperbaiki.
 20. **Cabut steker dari sumber listrik dan/atau baterai dari mesin listrik sebelum melakukan penyetelan, penggantian aksesoris, atau menyimpan mesin listrik.** Langkah keselamatan preventif tersebut mengurangi risiko hidupnya mesin secara tak sengaja.
 21. **Simpan mesin listrik jauh dari jangkauan anak-anak dan jangan biarkan orang yang tidak paham mengenai mesin listrik tersebut atau petunjuk ini menggunakan mesin listrik.** Mesin listrik sangat berbahaya di tangan pengguna yang tak terlatih.
 22. **Rawatlah mesin listrik. Periksa apakah ada bagian bergerak yang tidak lurus atau macet, bagian yang pecah dan kondisi lain yang dapat mempengaruhi penggunaan mesin listrik. Jika rusak, perbaiki dahulu mesin listrik sebelum digunakan.** Banyak kecelakaan disebabkan oleh kurangnya pemeliharaan mesin listrik.
 23. **Jaga agar mesin pemotong tetap tajam dan bersih.** Mesin pemotong yang terawat baik dengan mata pemotong yang tajam tidak mudah macet dan lebih mudah dikendalikan.
 24. **Gunakan mesin listrik, aksesoris, dan mata mesin, dll. sesuai dengan petunjuk ini, dengan memperhitungkan kondisi kerja dan jenis pekerjaan yang dilakukan.** Penggunaan mesin listrik untuk penggunaan yang lain dari peruntukan dapat menimbulkan situasi berbahaya.
- Servis**
25. **Berikan mesin listrik untuk diperbaiki hanya kepada teknisi yang berkualifikasi dengan menggunakan hanya suku cadang pengganti yang serupa.** Hal ini akan menjamin terjaganya keamanan mesin listrik.
 26. **Patuhi petunjuk pelumasan dan penggantian aksesoris.**
 27. **Jagalah agar gagang kering, bersih, dan bebas dari minyak dan gemuk.**

PERINGATAN KESELAMATAN GERGAJI PITA JINJING

GEB005-9

1. **Pegang alat listrik pada permukaan genggam yang terisolasi bila dalam melakukan pekerjaan, aksesoris pemotong dapat menyentuh kawat tersembunyi atau kabelnya sendiri.** Aksesoris pemotong yang menyentuh kawat "live" (teraliri arus listrik) dapat menyebabkan bagian logam yang terbuka pada mesin ikut teraliri arus listrik dan menyengat pengguna.

2. Gunakan hanya bilah gergaji yang berukuran panjang 1.140 mm (44-7/8"), lebar 13 mm (1/2"), dan tebal 0,5 mm (0,020").
3. Periksa bilah gergaji dengan teliti dari retakan atau kerusakan sebelum digunakan. Segera ganti bilah gergaji yang retak atau rusak.
4. Kencangkan benda kerja kuat-kuat. Bila memotong beberapa benda kerja dalam satu bundelan, pastikan bahwa semua benda kerja telah disatukan dengan kuat sebelum memotong.
5. Memotong benda kerja yang berlumuran oli dapat menyebabkan bilah gergaji terlepas secara tidak terduga. Lap bersih semua kelebihan oli dari benda kerja sebelum memotong.
6. Jangan sekali-kali menggunakan oli pemotongan sebagai pelumas pemotongan. Gunakan hanya lilin pelumas pemotongan Makita.
7. Jangan mengenakan sarung tangan saat mengoperasikan mesin ini.
8. Pegang mesin kuat-kuat dengan kedua tangan.
9. Jauhkan tangan dari bagian yang berputar.
10. Saat memotong logam, hati-hatilah terhadap serpihan panas yang beterbangan.
11. Jangan tinggalkan mesin dalam keadaan hidup tanpa ditunggu.
12. Jangan menyentuh bilah gergaji atau benda kerja segera setelah pengoperasian selesai; suhunya mungkin masih sangat panas dan dapat membakar kulit Anda.

SIMPAN PETUNJUK INI.

⚠ PERINGATAN:

JANGAN biarkan kenyamanan atau terbiasanya Anda dengan produk (karena penggunaan berulang) menggantikan kepatuhan yang ketat terhadap aturan keselamatan untuk produk yang terkait. PENYALAHGUNAAN atau kelalaian mematuhi kaidah keselamatan yang tertera dalam petunjuk penggunaan ini dapat menyebabkan cedera badan serius.

DESKRIPSI FUNGSI

⚠ PERHATIAN:

- Selalu pastikan mesin sudah dimatikan dan stekernya dicabut sebelum menyatel atau memeriksa fungsi mesin.

Gerakan sakelar (Gb. 1)

⚠ PERHATIAN:

- Sebelum menancapkan steker mesin, selalu pastikan bahwa picu sakelar bekerja dengan baik dan kembali ke posisi "OFF" (MATI) saat dilepaskan.

Untuk menyalakan mesin, cukup tarik picu sakelarnya.

Lepaskan picu sakelar untuk menghentikannya.

Untuk penggunaan terus-menerus, tarik picu sakelar dan tekan masuk tombol kunci.

Untuk menghentikan mesin dari posisi terkunci, tarik picu sakelar sepenuhnya, kemudian lepaskan.

Tombol-putar penyetel kecepatan (Gb. 2)

Kecepatan mesin dapat disetel secara tak terbatas antara 1,0 m/det dan 1,7 m/det dengan memutar tombol-putar penyetel kecepatan. Kecepatan yang lebih tinggi diperoleh bila tombol-putar diputar ke arah angka 5; kecepatan yang lebih rendah diperoleh bila tombol-putar ini diputar ke arah angka 1.

Pilihlah kecepatan yang tepat untuk benda kerja yang akan dipotong.

⚠ PERHATIAN:

- Tombol-putar penyetel kecepatan dapat diputar hanya sejauh 5 dan mundur kembali ke 1. Jangan memaksanya melewati 5 atau 1, atau fungsi pengaturan kecepatan tidak akan bekerja lagi.

Menyalakan lampu (Gb. 3)

⚠ PERHATIAN:

- Jangan biarkan lampu terkena benturan, yang dapat menyebabkan kerusakan atau memperpendek usia pakainya.

Untuk menghidupkan lampu, tekan sisi "I" (ON) sakelar lampu. Tekan sisi bawah "O" (OFF) untuk mematikannya.

CATATAN:

- Gunakan kain kering untuk mengelap bersih kotoran dari lensa lampu. Berhati-hatilah agar tidak menggosok lensa lampu, atau kekuatan sinarnya dapat berkurang.
- Jangan gunakan tiner atau bensin untuk membersihkan lampu. Pelarut seperti itu dapat merusak lampu.
- Setelah digunakan, selalu matikan lampu dengan menekan sisi "O (OFF)".

PERAKITAN

⚠ PERHATIAN:

- Selalu pastikan mesin sudah dimatikan dan stekernya dicabut sebelum melakukan pekerjaan apa pun pada mesin.

Memasang atau melepas bilah gergaji

⚠ PERHATIAN:

- Oli pada bilah gergaji dapat menyebabkan bilah selip atau terlepas secara tak terduga. Lap bersih seluruh kelebihan oli dengan kain sebelum memasang bilah gergaji.
- Hati-hatilah saat menangani bilah sehingga Anda tidak terluka oleh mata gigi gergaji yang tajam.

Putar tuas pengencang bilah searah jarum jam sampai menempel pada tonjolan pada rangka. (Gb. 4)

Samakan arah tanda panah pada bilah dengan arah tanda panah pada roda. (Gb. 5)

Masukkan bilah gergaji ke antara bantalan-bantalan penahan atas lebih dahulu, lalu ke penahan bawah. Punggung bilah harus menyentuh bantalan di dalam bagian bawah penahan atas dan penahan bawah.

Posisikan bilah gergaji melingkari roda dan masukkan sisi lain bilah di dalam penahan atas dan penahan bawah sampai punggung bilah menyentuh dasar penahan atas dan penahan bawah. (Gb. 6 & 7)

Masukkan bilah gergaji ke dalam alur pada pemandu bilah.

Tahan bilah gergaji di tempatnya dan putar tuas pengencang bilah berlawanan arah jarum jam sampai menempel pada tonjolan pada rangka. Ini memberikan ketegangan yang tepat pada bilah. Pastikan bahwa bilah terposisi dengan benar di dalam pelindung bilah dan pada roda.

Jalankan dan hentikan mesin dua atau tiga kali untuk memastikan bahwa bilah berjalan dengan baik pada roda.

⚠ PERHATIAN:

- Sambil memastikan bahwa bilah gergaji berjalan dengan baik pada roda, jauhkanlah tubuh Anda dari area bilah gergaji.

Untuk melepas bilah, ikuti prosedur pemasangan secara terbalik.

⚠ PERHATIAN:

- Saat memutar tuas pengencang bilah searah jarum jam untuk melepaskan ketegangan pada bilah, arahkan mesin ke bawah karena bilah dapat terlepas secara tak terduga.

Menyetel tonjolan pelat penghenti (Gb. 8)

Dalam penggunaan biasa, tonjolan pelat penghenti ke sisi A sepenuhnya.

Bila pelat penghenti membentur penghalang seperti dinding atau benda serupa pada akhir pemotongan, kendurkan dua sekrup dan geser pelat ke sisi B dalam gambar.

Setelah digeser, kencangkan pelat penghenti dengan mengencangkan dua sekrup kuat-kuat.

PENGOPERASIAN

Penting untuk mempertahankan paling sedikit dua gigi di dalam potongan. Pilih posisi pemotongan yang tepat bagi benda kerja Anda dengan mengacu pada gambar. **(Gb. 9)** Tahan mesin dengan kedua tangan seperti terlihat dalam gambar dengan pelat penghenti menyentuh benda kerja dan bilah tidak menyentuh benda kerja. **(Gb. 10)**

Hidupkan mesin dan tunggu hingga bilah mencapai kecepatan penuh. Dengan pelan turunkan bilah gergaji ke benda yang akan dipotong. Berat mesin atau sedikit tekanan pada mesin akan memberikan tekanan yang cukup untuk pemotongan. Jangan memaksa mesin. Saat Anda mencapai akhir pemotongan, lepaskan tekanan dan, tanpa membuat mesin terangkat, angkatlah mesin sedikit sehingga mesin tidak akan jatuh ke atas benda kerja.

⚠ PERHATIAN:

- Memberikan tekanan berlebihan pada mesin atau memuntir bilah gergaji dapat menyebabkan pemotongan miring atau kerusakan pada bilah gergaji.
- Bila mesin tidak digunakan untuk waktu lama, lepaskan bilah dari mesin. **(Gb. 11)**

Saat memotong logam, gunakan lilin pelumas pemotongan Makita sebagai pelumas pemotongan. Untuk mengaplikasikan lilin pelumas pada gigi gergaji, jalankan mesin dan iriskan pada lilin pelumas seperti dalam gambar, setelah tutup lilin pelumas dibuka.

⚠ PERHATIAN:

- Jangan sekali-kali menggunakan oli pemotongan atau mengaplikasikan terlalu banyak lilin pada bilah gergaji. Hal itu dapat menyebabkan bilah selip atau terlepas secara tak terduga.

- Bila memotong besi tuang, jangan gunakan lilin pelumas.

PERAWATAN

⚠ PERHATIAN:

- Selalu pastikan mesin sudah dimatikan dan stekernya dicabut sebelum melakukan pemeriksaan atau perawatan.
- Jangan sekali-kali menggunakan bensin, tiner, alkohol, atau bahan sejenisnya. Penggunaan bahan demikian dapat menyebabkan perubahan warna dan bentuk serta timbulnya retakan.

Pembersihan

Setelah digunakan, bersihkan lilin, serpihan, dan debu dari mesin, ban roda, dan bilah gergaji.

⚠ PERHATIAN:

- Jangan sekali-kali menggunakan pelarut seperti terpentin, bensin, pennis, dll. untuk membersihkan komponen plastik.
- Lilin dan serpihan pada ban dapat menyebabkan bilah selip atau terlepas secara tak terduga. Gunakan kain kering untuk membersihkan lilin dan serpihan dari ban.

Mengganti ban pada roda (Gb. 12)

Apabila bilah selip atau tidak berada di jalur yang benar karena ban sudah sangat aus, atau bibir ban pada sisi motor rusak, ban harus diganti.

Mengganti lampu fluoresens (Gb. 13)

⚠ PERHATIAN:

- Selalu pastikan bahwa mesin dalam keadaan mati dan tercabut dari stopkontak sebelum mengganti lampu fluoresens (TL).
- Jangan memaksa, membentur, atau menggores lampu fluoresens, yang dapat menyebabkan kacanya pecah dan mengakibatkan cedera pada Anda atau orang di sekitar Anda.
- Biarkan lampu fluoresens selama beberapa saat setelah digunakan dan kemudian gantilah. Jika tidak, Anda dapat mengalami luka bakar.

Lepaskan sekrup yang mengencangkan Boks Lampu untuk lampu tersebut.

Tarik keluar Boks Lampu dengan terus sedikit menekan posisi atasnya seperti diilustrasikan di sebelah kiri. Tarik keluar tuba lampu fluoresens lalu ganti dengan lampu fluoresens asli Makita yang baru.

Mengganti borstel arang (Gb. 14)

Lepaskan dan periksa borstel arang secara teratur. Ganti bila borstel sudah aus mencapai garis batas. Jaga agar borstel arang tetap bersih dan masuk lancar ke tempatnya. Kedua borstel arang harus diganti secara bersamaan. Gunakan hanya borstel arang yang identik. Gunakan obeng untuk melepas tutup borstel arang. Lepaskan borstel arang yang sudah aus, masukkan borstel baru, dan kencangkan tutup borstel arang. **(Gb. 15)**

Untuk menjaga KEAMANAN dan KEHANDALAN, perbaikan, perawatan lain, atau penyetulan harus dilakukan oleh Pusat Servis Resmi Makita dan gunakan selalu suku cadang Makita.

AKSESORI TAMBAHAN

PERHATIAN:

- Aksesori atau alat tambahan ini dianjurkan untuk digunakan dengan alat Makita milik Anda yang disebutkan dalam buku petunjuk ini. Penggunaan aksesori atau alat tambahan lain dapat menimbulkan risiko cedera pada orang. Gunakan aksesori atau alat tambahan sesuai kegunaannya.

Jika Anda membutuhkan bantuan perihal informasi lebih terperinci mengenai aksesori-aksesori ini, tanyakan kepada Pusat Servis Makita setempat.

- Bilah gergaji pita
- Kunci hex 4
- Lilin pelumas pemotongan
- Dudukan gergaji pita jinjing

CATATAN:

- Beberapa artikel dalam daftar dapat disertakan dalam kemasan mesin sebagai aksesori standar. Kelengkapan ini dapat berbeda dari satu negara ke negara lainnya.

TIẾNG VIỆT (Hướng dẫn Gốc)

Giải thích về hình vẽ tổng thể

- | | | |
|--------------------------|--------------------------------|--------------------------|
| 1. Nút khoá | 10. Ổ trục | 19. Sáp bôi trơn khi cưa |
| 2. Bộ khởi động công tắc | 11. Giá đỡ trên | 20. Vành |
| 3. Nút điều chỉnh tốc độ | 12. Giá đỡ dưới | 21. Mép vành |
| 4. Công tắc đèn | 13. Bánh xe | 22. Đèn huỳnh quang |
| 5. Siết chặt | 14. Ấn | 23. Hộp khối |
| 6. Nới lỏng | 15. Bộ phận dẫn hướng lưỡi cưa | 24. Vít tự cắt ren |
| 7. Phần nhô ra | 16. Rãnh | 25. Vạch giới hạn |
| 8. Cần | 17. Vít | 26. Tua vít |
| 9. Lưỡi cưa | 18. Đĩa hãm | 27. Nắp giá đỡ chốt than |

THÔNG SỐ KỸ THUẬT

Kiểu máy		2107F
Công suất cắt tối đa	Phôi tròn	Đường kính 120 mm
	Phôi hình chữ nhật	120 mm x 120 mm
Vận tốc lưỡi cưa		1,0 - 1,7 m/s
Kích thước lưỡi cưa	Chiều dài	1.140 mm
	Chiều rộng	13 mm
	Độ dày	0,5 mm
Kích thước tổng thể	C x R x D	496 mm x 184 mm x 249 mm
Trọng lượng tịnh		6,0 kg
Cấp an toàn		□/II

- Do chương trình nghiên cứu và phát triển liên tục của chúng tôi nên các thông số kỹ thuật dưới đây có thể thay đổi mà không cần thông báo.
- Các thông số kỹ thuật ở mỗi quốc gia có thể khác nhau.
- Trọng lượng theo quy định EPTA-Procedure 01/2003

Ký hiệu END201-7

Phần dưới đây cho biết các ký hiệu được dùng cho thiết bị. Đảm bảo rằng bạn hiểu ý nghĩa của các ký hiệu này trước khi sử dụng.



..... Đọc tài liệu hướng dẫn.



..... CÁCH ĐIỆN KÉP

Mục đích sử dụng ENE009-1

Dụng cụ được sử dụng để cưa gỗ, nhựa và vật liệu chứa sắt.

Nguồn cấp điện ENF002-2

Dụng cụ này chỉ được nối với nguồn cấp điện có điện áp giống như đã chỉ ra trên biển tên và chỉ có thể được vận hành trên nguồn cung cấp AC một pha. Thiết bị được cách điện kép và do đó cũng có thể được sử dụng từ các ổ cắm mà không cần dây tiếp đất.

Cảnh báo An toàn Chung dành cho Dụng cụ Máy

GEA005-3

⚠ CẢNH BÁO Đọc tất cả cảnh báo an toàn và hướng dẫn. Việc không tuân theo các cảnh báo và hướng dẫn có thể dẫn đến điện giật, hỏa hoạn và/hoặc thương tích nghiêm trọng.

Lưu giữ tất cả cảnh báo và hướng dẫn để tham khảo sau này.

Thuật ngữ “dụng cụ máy” trong các cảnh báo đề cập đến dụng cụ máy (có dây) được vận hành bằng điện hoặc dụng cụ máy (không dây) được vận hành bằng pin.

An toàn tại nơi làm việc

- Giữ nơi làm việc sạch sẽ và có đủ ánh sáng.** Nơi làm việc bừa bộn hoặc tối có thể dẫn đến tai nạn.
- Không vận hành dụng cụ máy trong môi trường cháy nổ, ví dụ như môi trường có sự hiện diện của các chất lỏng, khí hoặc bụi dễ cháy.** Các dụng cụ máy tạo ra tia lửa điện có thể làm bụi hoặc khí bốc cháy.
- Giữ trẻ em và người ngoài tránh xa nơi làm việc khi đang vận hành dụng cụ máy.** Sự sao lãng có thể khiến bạn mất khả năng kiểm soát.

An toàn về điện

- Phích cắm của dụng cụ máy phải khớp với ổ cắm.** Không bao giờ được sửa đổi phích cắm theo bất kỳ cách nào. Không sử dụng bất kỳ phích điều hợp nào với các dụng cụ máy được nối đất (tiếp đất). Các phích cắm còn nguyên vẹn và ổ cắm phù hợp sẽ giảm nguy cơ điện giật.
- Tránh để cơ thể tiếp xúc với các bề mặt nóng đất hoặc tiếp đất như đường ống, bộ tản nhiệt, bếp**

và tủ lạnh. Nguy cơ bị điện giật sẽ tăng lên nếu cơ thể bạn được nối đất hoặc tiếp đất.

- Không để dụng cụ máy tiếp xúc với nước mưa hoặc trong điều kiện ẩm ướt.** Nước chảy vào dụng cụ máy sẽ làm tăng nguy cơ điện giật.
- Không sử dụng dây sai cách. Không bao giờ sử dụng dây để mang, kéo hoặc tháo phích cắm dụng cụ máy. Giữ dây tránh xa nguồn nhiệt, dầu, các mép sắc hoặc các bộ phận chuyển động.** Dây bị hỏng hoặc bị rối sẽ làm tăng nguy cơ điện giật.
- Khi vận hành dụng cụ máy ngoài trời, hãy sử dụng dây kéo dài phù hợp cho việc sử dụng ngoài trời.** Việc dùng dây phù hợp cho việc sử dụng ngoài trời sẽ giảm nguy cơ điện giật.
- Nếu bắt buộc phải vận hành dụng cụ máy ở nơi ẩm ướt, hãy sử dụng nguồn cấp điện được bảo vệ bằng thiết bị dòng điện dư (RCD).** Sử dụng RCD sẽ giảm nguy cơ điện giật.
- Chúng tôi luôn khuyên bạn sử dụng nguồn cấp điện qua RCD có dòng điện dư định mức 30 mA hoặc thấp hơn.**

An toàn cá nhân

- Luôn tỉnh táo, quan sát những việc bạn đang làm và sử dụng những phán đoán theo kinh nghiệm khi vận hành dụng cụ máy.** Không sử dụng dụng cụ máy khi bạn đang mệt mỏi hoặc chịu ảnh hưởng của ma túy, chất cồn hay thuốc. Chỉ một khoảnh khắc không tập trung khi đang vận hành dụng cụ máy cũng có thể dẫn đến thương tích cá nhân nghiêm trọng.
- Sử dụng thiết bị bảo hộ cá nhân. Luôn đeo thiết bị bảo vệ mắt.** Các thiết bị bảo hộ như mặt nạ chống bụi, giày an toàn không trượt, mũ bảo hộ hay thiết bị bảo vệ thính giác được sử dụng trong các điều kiện thích hợp sẽ giúp giảm thương tích cá nhân.
- Tránh khởi động vô tình dụng cụ máy. Đảm bảo công tắc ở vị trí off (tắt) trước khi nối nguồn điện và/hoặc bộ pin, cắm hoặc mang dụng cụ máy.** Việc mang dụng cụ máy khi đang đặt ngón tay ở vị trí công tắc hoặc cấp điện cho dụng cụ máy khi công tắc đang ở vị trí bật có thể dẫn đến tai nạn.
- Tháo mọi khoá hoặc chìa vận điều chỉnh trước khi bật dụng cụ máy.** Việc chìa vận hoặc khoá vẫn còn gắn vào bộ phận quay của dụng cụ máy có thể dẫn đến thương tích cá nhân.
- Không với quá cao. Luôn giữ thăng bằng tốt và có chỗ để chân phù hợp.** Điều này cho phép kiểm soát dụng cụ máy tốt hơn trong những tình huống bất ngờ.
- Ăn mặc phù hợp. Không mặc quần áo rộng hay đeo đồ trang sức. Giữ tóc, quần áo và găng tay tránh xa các bộ phận chuyển động.** Quần áo rộng, đồ trang sức hay tóc dài có thể mắc vào các bộ phận chuyển động.
- Nếu thiết bị này được cung cấp kèm theo các bộ phận để nối thiết bị hút và gom bụi, hãy đảm bảo chúng được kết nối và sử dụng hợp lý.** Sử dụng thiết bị gom bụi có thể làm giảm những mối nguy hiểm liên quan đến bụi.

Sử dụng và bảo quản dụng cụ máy

- Không ép buộc dụng cụ máy. Sử dụng đúng dụng cụ máy cho công việc của bạn.** Sử dụng đúng dụng cụ máy sẽ giúp thực hiện công việc tốt hơn và an toàn hơn theo giá trị định mức được thiết kế của dụng cụ máy đó.
- Không sử dụng dụng cụ máy nếu công tắc không bật và tắt được dụng cụ máy đó.** Mọi dụng cụ máy không thể điều khiển được bằng công tắc đều rất nguy hiểm và cần được sửa chữa.
- Rút phích cắm ra khỏi nguồn điện và/hoặc tháo bộ pin khỏi dụng cụ máy trước khi thực hiện bất kỳ công việc điều chỉnh, thay đổi thực dụng hay cất giữ dụng cụ máy nào.** Những biện pháp an toàn phòng ngừa này sẽ giảm nguy cơ khởi động vô tình dụng cụ máy.
- Cất giữ các dụng cụ máy không sử dụng ngoài tầm với của trẻ em và không cho bất kỳ người nào không có hiểu biết về dụng cụ máy hoặc các hướng dẫn này vận hành dụng cụ máy.** Dụng cụ máy sẽ rất nguy hiểm nếu được sử dụng bởi những người dùng chưa qua đào tạo.
- Bảo dưỡng dụng cụ máy. Kiểm tra tình trạng lịch trực hoặc bó kẹp của các bộ phận chuyển động, hiện tượng nứt vỡ của các bộ phận và mọi tình trạng khác mà có thể ảnh hưởng đến hoạt động của dụng cụ máy.** Nếu có hỏng hóc, hãy sửa chữa dụng cụ máy trước khi sử dụng. Nhiều tai nạn xảy ra là do không bảo dưỡng tốt dụng cụ máy.
- Luôn giữ cho dụng cụ cất được sắc và sạch.** Những dụng cụ cất được bảo dưỡng đúng cách có mức cắt sắc sẽ ít bị kẹt hơn và dễ điều khiển hơn.
- Sử dụng dụng cụ máy, phụ tùng và đầu dụng cụ cắt, v.v... theo các hướng dẫn này, có tính đến điều kiện làm việc và công việc được thực hiện.** Việc sử dụng dụng cụ máy cho các công việc khác với công việc dự định có thể gây nguy hiểm.

Bảo dưỡng

- Để nhân viên sửa chữa đủ trình độ bảo dưỡng dụng cụ máy của bạn và chỉ sử dụng các bộ phận thay thế đồng nhất.** Việc này sẽ đảm bảo duy trì được độ an toàn của dụng cụ máy.
- Tuân theo hướng dẫn dành cho việc bôi trơn và thay phụ tùng.**
- Giữ tay cầm khô, sạch, không dính dầu và mỡ.**

CẢNH BÁO AN TOÀN DÀNH CHO MÁY CỬA

GEB005-5

- Cầm dụng cụ máy ở phần tay nắm được cách điện khi thực hiện công việc mà phụ tùng cắt có thể tiếp xúc với dây dẫn kim hoặc dây của chính dụng cụ.** Phụ tùng cắt tiếp xúc với dây dẫn “có điện” có thể khiến các bộ phận kim loại trần của dụng cụ bị “tiếp điện” và làm cho người vận hành bị điện giật.
- Chỉ sử dụng lưỡi cửa dài 1.140 mm (44-7/8”), rộng 13 mm (1/2”) và dày 0,5 mm (.020”).**
- Kiểm tra cẩn thận lưỡi cửa xem có vết nứt hay hư hỏng nào không trước khi vận hành.** Thay thế lưỡi cửa bị nứt hay hư hỏng ngay lập tức.

4. **Giữ chặt phôi.** Khi của một bó phôi, đảm bảo rằng tất cả các phôi đã được bó chặt với nhau trước khi của.
5. **Của những phôi có phủ một lớp dầu bên trên có thể khiến lưỡi của bắt ngờ bị vướng ra.** Lau thật sạch dầu thừa khỏi phôi trước khi của.
6. **Không được sử dụng dầu cắt làm chất bôi trơn khi của.** Chỉ được sử dụng sáp bôi trơn khi của của Makita.
7. **Không được đeo găng tay trong suốt quá trình vận hành.**
8. **Cầm chắc dụng cụ bằng cả hai tay.**
9. **Giữ tay tránh xa các bộ phận quay.**
10. **Khi của kim loại, hãy cẩn thận với mặt nóng bay ra.**
11. **Không được để dụng cụ hoạt động mà không có sự giám sát.**
12. **Không chạm ngay vào lưỡi của hoặc phôi sau khi vận hành; chúng có thể cực nóng và có thể làm bỏng da.**

LƯU GIỮ CÁC HƯỚNG DẪN NÀY.

⚠ CẢNH BÁO:

KHÔNG được để sự thoải mái hay quen thuộc với sản phẩm (có được do sử dụng nhiều lần) thay thế việc tuân thủ nghiêm ngặt các quy định về an toàn dành cho sản phẩm này. **VIỆC DÙNG SAI** hoặc không tuân theo các quy định về an toàn được nêu trong tài liệu hướng dẫn này có thể dẫn đến thương tích cá nhân nghiêm trọng.

MÔ TẢ CHỨC NĂNG

⚠ THẬN TRỌNG:

- Luôn chắc chắn đã tắt và tháo phích cắm dụng cụ trước khi điều chỉnh hoặc kiểm tra chức năng trên dụng cụ.

Hoạt động của công tắc (Hình 1)

⚠ THẬN TRỌNG:

- Trước khi cắm điện cho dụng cụ, luôn kiểm tra để thấy rằng bộ khởi động công tắc khởi động đúng và trở về vị trí "OFF" (TẮT) khi nhả ra.

Để khởi động dụng cụ, chỉ cần kéo bộ khởi động công tắc. Nhả bộ khởi động công tắc để dừng.

Để vận hành liên tục, hãy kéo bộ khởi động công tắc rồi ấn nút khoá vào.

Để dừng dụng cụ ở vị trí khoá, hãy kéo bộ khởi động công tắc hết cỡ rồi nhả ra.

Núm điều chỉnh tốc độ (Hình 2)

Bạn có thể điều chỉnh tốc độ dụng cụ trong khoảng từ 1,0 m/s tới 1,7m/s bằng cách xoay núm điều chỉnh.

Dụng cụ đạt được tốc độ lớn hơn khi xoay núm theo hướng số 5; tốc độ nhỏ hơn khi xoay núm theo hướng số 1.

Chọn tốc độ thích hợp cho phôi cần của.

⚠ THẬN TRỌNG:

- Chỉ có thể xoay núm điều chỉnh tốc độ tối đa tới 5 và trở lại 1. Không được cố xoay núm điều chỉnh tốc

độ quá 5 hoặc 1, nếu không chức năng điều chỉnh tốc độ có thể không hoạt động nữa.

Bật đèn (Hình 3)

⚠ THẬN TRỌNG:

- Không tác động mạnh vào đèn, có thể gây hỏng hóc hoặc rút ngắn tuổi thọ của đèn.

Để bật đèn, ấn bên "I" (BẬT) của công tắc đèn. Ấn bên "O" (TẮT) để tắt đèn.

CHÚ Ý:

- Sử dụng vải khô để lau sạch bụi bẩn khỏi bóng đèn. Cẩn thận không làm xước bóng đèn vì điều đó có thể làm giảm độ sáng.
- Không được sử dụng chất tẩy rửa hoặc xăng để vệ sinh đèn. Những dung môi như vậy có thể làm hỏng đèn.
- Sau khi sử dụng, luôn tắt đèn bằng cách ấn vào bên "O (TẮT)".

QUÁ TRÌNH LẮP RÁP

⚠ THẬN TRỌNG:

- Luôn chắc chắn đã tắt và tháo phích cắm dụng cụ trước khi tiến hành bất kỳ công việc nào trên dụng cụ.

Lắp hoặc tháo lưỡi của

⚠ THẬN TRỌNG:

- Dầu trên lưỡi của có thể khiến lưỡi của bị trượt hoặc bắt ngờ bật mạnh ra. Sử dụng vải để lau sạch dầu thừa trước khi lắp lưỡi của.
- Thận trọng khi xử lý lưỡi của để không bị cạnh sắc của răng của cắt phải.

Xoay cần căng lưỡi của theo chiều kim đồng hồ cho đến khi tiếp xúc với phần nhô ra trên khung. **(Hình 4)** So hướng mũi tên trên lưỡi của với hướng mũi tên trên bánh xe. **(Hình 5)**

Lắp lưỡi của vào ổ trục của giá đỡ trên trước, rồi lắp vào giá đỡ dưới. Phần lưng của lưỡi của phải tiếp xúc với ổ trục ở vị trí dưới của giá đỡ trên và giá đỡ dưới.

Đặt lưỡi của cong theo bánh xe và lắp đầu kia của lưỡi của vào giá đỡ trên và giá đỡ dưới cho đến khi mặt dưới lưỡi của tiếp xúc với đáy của giá đỡ trên và giá đỡ dưới. **(Hình 6 & 7)**

Đặt lưỡi của vào rãnh trong bộ phận dẫn hướng lưỡi của.

Giữ lưỡi của đúng vị trí và xoay cần căng lưỡi của theo hướng ngược chiều kim đồng hồ cho đến khi lưỡi của chạm vào phần nhô ra trên khung. Thao tác này giúp chỉnh độ căng phù hợp cho lưỡi của. Đảm bảo rằng lưỡi của nằm chính xác trong vành bảo vệ lưỡi của và bao quanh bánh xe.

Khởi động và ngừng dụng cụ hai hoặc ba lần để đảm bảo rằng lưỡi của hoạt động đúng cách trên bánh xe.

⚠ THẬN TRỌNG:

- Hãy nhớ giữ cho cơ thể tránh xa khỏi lưỡi của khi thực hiện kiểm tra để đảm bảo rằng lưỡi của chạy đúng cách trên bánh xe.

Để tháo lưỡi của, thực hiện ngược lại quy trình lắp.

⚠ THẬN TRỌNG:

- Khi xoay cần căng lưỡi cưa theo chiều kim đồng hồ để giảm độ căng của lưỡi cưa, hãy chĩa dụng cụ xuống phía dưới do lưỡi cưa có thể đột ngột văng ra.

Điều chỉnh phần nhô ra của đĩa hãm (Hình 8)

Khi vận hành thông thường, kéo hết đĩa hãm về phía A.

Khi đĩa hãm chạm vào các vật cản như tường hoặc những thứ tương tự tại thời điểm dĩa cưa xong, hãy nói lỏng hai vít và trượt đĩa hãm về phía B như trong hình. Sau khi trượt đĩa hãm, cố định đĩa hãm bằng cách vận chặt hai vít.

VẬN HÀNH

Cần phải giữ tối thiểu hai răng ngáp trong vết cưa. Chọn vị trí cưa phù hợp cho phổi của bạn bằng cách tham khảo hình vẽ. **(Hình 9)**

Cầm dụng cụ bằng cả hai tay như trong hình với đĩa hãm tiếp xúc với phổi và lưỡi cưa cách xa phổi.

(Hình 10)

Bật dụng cụ và chờ cho tới khi lưỡi cưa đạt đến tốc độ tối đa. Nhẹ nhàng hạ thấp lưỡi cưa xuống đường cưa. Trọng lượng của dụng cụ hoặc việc hơi ấn nhẹ dụng cụ xuống sẽ cung cấp đủ áp lực cưa. Không dùng lực đối với dụng cụ này.

Khi cưa gần xong, giảm áp lực, không cần nâng hẳn, chỉ hơi nâng dụng cụ để dụng cụ không chạm vào phổi.

⚠ THẬN TRỌNG:

- Ấn quá mạnh dụng cụ hoặc lưỡi cưa bị xoắn có thể làm cho vết cưa bị xiên xẹo hoặc làm hỏng lưỡi cưa.
- Khi không sử dụng dụng cụ trong một thời gian dài, tháo lưỡi cưa khỏi dụng cụ. **(Hình 11)**

Khi cưa kim loại, hãy sử dụng sáp bôi trơn khi cưa của Makita làm dầu cắt. Để bôi sáp vào răng cưa, hãy khởi động dụng cụ và cưa vào sáp như trong hình minh họa sau khi tháo nắp của sáp bôi trơn.

⚠ THẬN TRỌNG:

- Không được sử dụng dầu cắt hoặc bôi quá nhiều sáp vào lưỡi cưa. Làm như vậy có thể khiến lưỡi cưa bị trượt hoặc đột ngột văng ra.
- Khi cưa gang, không sử dụng sáp bôi trơn khi cưa.

BẢO DƯỠNG

⚠ THẬN TRỌNG:

- Luôn đảm bảo tắt dụng cụ và rút phích cắm trước khi thực hiện kiểm tra hoặc bảo dưỡng.
- Không bao giờ dùng xăng, ét xăng, dung môi, cồn hoặc hóa chất tương tự. Có thể xảy ra hiện tượng mất màu, biến dạng hoặc nứt vỡ.

Vệ sinh

Sau khi sử dụng, lau sạch sáp, mặt và bụi bẩn khỏi dụng cụ, vành bánh xe và lưỡi cưa.

⚠ THẬN TRỌNG:

- Không được sử dụng các dung môi như dầu thông, xăng, sơn v.v.. để vệ sinh các bộ phận bằng nhựa.

- Sáp và mặt trên vành bánh xe có thể khiến lưỡi cưa bị trượt hoặc đột ngột văng ra. Sử dụng vải khô để lau sáp và mặt khỏi vành bánh xe.

Thay vành bánh xe (Hình 12)

Khi lưỡi cưa bị trượt hoặc không chạy đúng cách do vành bánh xe bị quá mòn hoặc mép của vành bánh xe ở mặt động cơ bị hỏng thì cần phải thay vành mới.

Thay đèn huỳnh quang (Hình 13)

⚠ THẬN TRỌNG:

- Luôn đảm bảo tắt dụng cụ và rút phích cắm trước khi thay đèn huỳnh quang.
- Không dùng lực, tác động mạnh hoặc làm xước đèn huỳnh quang, việc này có thể làm vỡ kính đèn huỳnh quang dẫn đến thương tích cho bạn hoặc người đứng bên cạnh bạn.
- Để đèn huỳnh quang một lúc ngay sau khi sử dụng cho nguội rồi mới thay đèn. Nếu không. Bạn có thể bị bỏng.

Tháo các vít bắt chặt Hộp đèn ra.

Kéo Hộp đèn ra đồng thời đẩy nhẹ phần trên của hộp đèn như hình họa trong hình vẽ bên trái.

Kéo đèn huỳnh quang ra sau đó thay thế bằng một chiếc đèn mới chính hãng Makita.

Thay chổi than (Hình 14)

Tháo và kiểm tra chổi than thường xuyên. Thay chổi than khi chúng bị mòn dưới vạch giới hạn. Giữ chổi than sạch và tự do trượt vào các giá đỡ. Cả hai chổi than nên được thay cùng một lúc. Chỉ sử dụng các chổi than giống nhau.

Sử dụng tua vít để tháo nắp giá đỡ chổi than. Tháo chổi than đã mòn ra, lắp chổi than mới và cố định nắp giá đỡ chổi than. **(Hình 15)**

Để duy trì ĐỘ AN TOÀN và ĐỘ TIN CẬY của sản phẩm, việc sửa chữa, bảo dưỡng hoặc bất kỳ điều chỉnh nào khác đều phải do Trung tâm Bảo trì Được ủy quyền của Makita thực hiện, luôn sử dụng các bộ phận thay thế của Makita.

PHỤ KIỆN TỰY CHỌN

⚠ THẬN TRỌNG:

- Các phụ tùng hoặc phụ kiện này được khuyến nghị sử dụng với dụng cụ Makita của bạn được chỉ định trong tài liệu này. Việc sử dụng bất kỳ phụ tùng hoặc phụ kiện nào khác có thể dẫn đến rủi ro thương tích cho con người. Chỉ sử dụng phụ tùng hoặc phụ kiện với mục đích được nêu.

Nếu bạn cần bất kỳ sự hỗ trợ nào để biết thêm chi tiết về các phụ tùng này, hãy hỏi Trung tâm Bảo trì Makita tại địa phương của bạn.

- Lưỡi cưa bàn
- Cờ lê sáu cạnh số 4
- Sáp bôi trơn khi cưa
- Đế máy cưa

CHÚ Ý:

- Một số mục trong danh sách có thể được bao gồm trong gói dụng cụ làm các phụ kiện chuẩn. Các mục này ở mỗi quốc gia có thể khác nhau.

คำอธิบายเกี่ยวกับมุมมองทั่วไป

- | | | |
|-----------------------------|------------------------|-------------------------|
| 1. ปุ่มล็อค | 10. ดัดลูกปืน | 19. แว็กซ์หล่อลื่น |
| 2. ไกสวิทช์ | 11. มือจับด้านบน | 20. ล้อยาง |
| 3. ตัวหมุนปรับระดับความเร็ว | 12. มือจับด้านล่าง | 21. ขอบ |
| 4. สวิตช์ไฟสัญญาณ | 13. จานหมุน | 22. หลอดฟลูออเรสเซนต์ |
| 5. ชั้นให้แน่น | 14. กด | 23. กลองหมุน |
| 6. คลายออก | 15. ตัวนำใบเลื่อย | 24. สกรูเกลียวปล้อย |
| 7. ส่วนที่ยื่นออกมา | 16. ร่อง | 25. เครื่องหมายขีดจำกัด |
| 8. คันโยก | 17. สกรู | 26. ไขควง |
| 9. ใบเลื่อย | 18. แผ่นจับระยะการหยุด | 27. ฝาปิดช่องใส่แปรง |

ข้อมูลทางเทคนิค


รุ่น		2107F
ความสามารถในการตัดสูงสุด	ชิ้นงานทรงกลม	เส้นผ่านศูนย์กลาง 120 มม.
	ชิ้นงานรูปสี่เหลี่ยมผืนผ้า	120 มม. x 120 มม.
ความเร็วของใบเลื่อย		1.0 - 1.7 เมตร/วินาที
ขนาดใบเลื่อย	ความยาว	1,140 มม.
	ความกว้าง	13 มม.
	ความหนา	0.5 มม.
ขนาดทั้งหมด	สูง x กว้าง x ยาว	496 มม. x 184 มม. x 249 มม.
น้ำหนักสุทธิ		6.0 กก.
ระดับความปลอดภัย		☐/II


- เนื่องจากการวิจัยและการพัฒนาของเราเป็นแผนงานต่อเนื่อง ดังนั้นข้อมูลเทคนิคที่ระบุในเอกสารนี้อาจมีการเปลี่ยนแปลงโดยไม่ต้องแจ้งให้ทราบล่วงหน้า
- ข้อมูลเทคนิคอาจแตกต่างกันในแต่ละประเทศ
- น้ำหนักตามข้อบังคับของ EPTA 01/2003

สัญลักษณ์

END201-7

ต่อไปนี้เป็นสัญลักษณ์ที่ใช้สำหรับอุปกรณ์ โปรดศึกษาความหมายของสัญลักษณ์ให้เข้าใจก่อนการใช้งาน

 อ่านคู่มือการใช้งาน

 ฉนวนหุ้มสองชั้น

วัตถุประสงค์การใช้งาน

ENE009-1

เครื่องมือนี้ผลิตขึ้นเพื่อใช้ในการตัดวัสดุที่ทำจากไม้ พลาสติก และเหล็ก

การจ่ายไฟ

ENF002-2

ต้องเชื่อมต่อเครื่องมือกับเครื่องจ่ายไฟที่มีแรงเคลื่อนไฟฟ้าตามที่ระบุไว้ในป้ายข้อมูลเครื่องจักร และจะต้องใช้ไฟฟ้ากระแสสลับ

แบบเฟสเดียวเท่านั้น เครื่องนี้มีฉนวนหุ้มสองชั้นดังนั้นจึงสามารถใช้เสียบเข้ากับไฟฟ้าที่ไม่ใช่สายดินได้

คำเตือนด้านความปลอดภัยสำหรับเครื่องมือไฟฟ้าทั่วไป

GEA005-3

⚠ คำเตือน

อ่านคำเตือนด้านความปลอดภัยและคำแนะนำทั้งหมด

การไม่ปฏิบัติตามคำเตือนและคำแนะนำดังกล่าวอาจส่งผลให้เกิดไฟฟ้าช็อต ไฟไหม้ และ/หรือได้รับบาดเจ็บอย่างร้ายแรง

เก็บรักษา ค่าเตือน และ ค่าแนะนำ ทั้งหมดไว้เป็นข้อมูลอ้างอิงในอนาคต

คำว่า "เครื่องมือไฟฟ้า" ในคำเตือนนี้ หมายถึง เครื่องมือไฟฟ้า (มีสาย) ที่ทำงานโดยใช้กระแสไฟฟ้า หรือเครื่องมือไฟฟ้า (ไร้สาย) ที่ทำงานโดยใช้แบตเตอรี่

ความปลอดภัยของพื้นที่ทำงาน

1. ดูแลพื้นที่ทำงานให้มีความสะอาดและมีแสงไฟสว่าง พื้นที่ที่กระเบื้องหรือมัตที่บอบบางนำไปสู่การเกิดอุบัติเหตุได้
2. อย่าใช้งานเครื่องมือไฟฟ้าในสภาพที่อาจเกิดการกระเบิด เช่น ในสถานที่ที่มีของเหลว ก๊าซ หรือฝุ่นผงที่มีคุณสมบัติไวไฟ เครื่องมือไฟฟ้าจะสร้างประกายไฟเพื่อจุดชนวนฝุ่นผงหรือก๊าซดังกล่าว
3. ดูแลไม่ให้มีเด็ก ๆ หรือบุคคลอื่นอยู่ในบริเวณที่กำลังใช้เครื่องมือไฟฟ้า การมีสิ่งรบกวนสมาธิอาจทำให้คุณสูญเสียการควบคุม

ความปลอดภัยด้านไฟฟ้า

4. ปลั๊กของเครื่องมือไฟฟ้าต้องพอดีกับเต้ารับ อย่าตัดแปลงปลั๊กไม่ว่ากรณีใด ๆ อย่าใช้ปลั๊กอะแดปเตอร์กับเครื่องมือไฟฟ้าที่ต่อสายดิน (กราวด์) ปลั๊กที่ไม่ถูกต้องและเต้ารับไฟที่เข้ากันพอดีจะช่วยลดความเสี่ยงของการเกิดไฟฟ้าช็อต
5. ระวังอย่าให้ร่างกายสัมผัสกับพื้นผิวที่ต่อสายดิน เช่น ท่อเครื่องนำความร้อน เครื่องใช้ไฟฟ้าในครัว และตู้เย็น มีความเสี่ยงที่จะเกิดไฟฟ้าช็อตสูงขึ้น หากร่างกายของคุณสัมผัสกับพื้น
6. อย่าให้เครื่องมือไฟฟ้าถูกน้ำหรืออยู่ในสภาพเปียกชื้น น้ำที่ไหลเข้าไปในเครื่องมือไฟฟ้าจะเพิ่มความเสี่ยงของการเกิดไฟฟ้าช็อต
7. อย่าใช้สายไฟอย่างไม่เหมาะสม อย่าใช้สายไฟเพื่อยก吊หรือ ถอดปลั๊กเครื่องมือไฟฟ้า เก็บสายไฟให้ห่างจากความร้อน น้ำมัน ของมีคม หรือชิ้นส่วนที่เคลื่อนที่ สายที่ชำรุดหรือพันกันจะเพิ่มความเสี่ยงของการเกิดไฟฟ้าช็อต
8. ขณะที่ใช้งานเครื่องมือไฟฟ้านอกอาคาร ควรใช้สายต่อพ่วงที่เหมาะสมกับงานภายนอกอาคาร การใช้สายที่เหมาะสมกับงานภายนอกอาคารจะลดความเสี่ยงของการเกิดไฟฟ้าช็อต
9. หากต้องใช้งานเครื่องมือไฟฟ้าในสถานที่เปียกชื้น ให้ใช้อุปกรณ์ป้องกันกระแสไฟรั่ว (RCD) การใช้ RCD จะลดความเสี่ยงของการเกิดไฟฟ้าช็อต
10. ขอแนะนำให้ใช้แหล่งจ่ายไฟผ่าน RCD ที่มีกระแสไฟรั่วในอัตราไม่เกิน 30 mA เสมอ

ความปลอดภัยส่วนบุคคล

11. ให้ระมัดระวัง และสังเกตเสมอว่าคุณกำลังทำสิ่งใดอยู่ และใช้สามัญสำนึกในขณะที่ใช้งานเครื่องมือไฟฟ้า อย่า

- ใช้งานเครื่องมือไฟฟ้าในขณะที่คุณกำลังเหนื่อย หรือในสภาพที่มึนเมาจากยาเสพติด เครื่องดื่มแอลกอฮอล์ หรือการใส่ยา ช่วงขณะที่ขาดความระมัดระวังเมื่อกำลังใช้งานเครื่องมือไฟฟ้าอาจทำให้คุณได้รับบาดเจ็บอย่างรุนแรง
12. ใช้อุปกรณ์ป้องกันส่วนบุคคล สวมแว่นตาป้องกันเสมอ อุปกรณ์ป้องกัน เช่น หน้ากากกันฝุ่น รองเท้านิรภัยกันลื่น หมวกนิรภัย หรือเครื่องป้องกันการได้ยินที่ใช้ในสภาพที่เหมาะสมจะช่วยลดการบาดเจ็บ
 13. ป้องกันไม่ให้เปิดใช้งานอย่างไม่ตั้งใจ ตรวจสอบว่าสวิทช์อยู่ในตำแหน่งปิดก่อนเชื่อมต่อกับแหล่งจ่ายไฟ และ/หรือชุดแบตเตอรี่ หรือก่อนการยกหรือถือเครื่องมือ การถอดนิ้วมือบริเวณสวิทช์เพื่อถือเครื่องมือไฟฟ้า หรือการชาร์จไฟเครื่องมือไฟฟ้าในขณะที่เปิดสวิทช์อยู่อาจนำไปสู่การเกิดอุบัติเหตุ
 14. นำกฎแฉงปรับแต่งหรือประแจออกก่อนที่จะเปิดเครื่องมือไฟฟ้า ประแจหรือคีย์ที่เสียบค้างอยู่ในชิ้นส่วนที่หมุนได้ของเครื่องมือไฟฟ้าอาจทำให้คุณได้รับบาดเจ็บ
 15. อย่าทำงานในระยะที่สูดเอื้อม จัดทำการยื่นและการทรงตัวให้เหมาะสมตลอดเวลา เพราะจะทำให้ควบคุมเครื่องมือไฟฟ้าได้ดีขึ้นในสถานการณ์ที่ไม่คาดคิด
 16. แต่งกายให้เหมาะสม อย่าสวมเครื่องแต่งกายที่หลวมเกินไป หรือสวมเครื่องประดับ ดูแลไม่ให้เส้นผม เสื้อผ้า และถุงมืออยู่ใกล้ชิ้นส่วนที่เคลื่อนที่ เสื้อผ้า ร่ม ผ้า และถุงมืออยู่ใกล้ชิ้นส่วนที่เคลื่อนที่ หรือผมที่มีความยาวอาจเข้าไปติดในชิ้นส่วนที่เคลื่อนที่
 17. หากมีการจัดอุปกรณ์สำหรับดูและจัดเก็บฝุ่นไว้ในสถานที่ ให้ตรวจสอบว่าได้เชื่อมต่อและใช้งานอุปกรณ์นั้นอย่างเหมาะสม การใส่เครื่องดูและจัดเก็บฝุ่นจะช่วยลดอันตรายที่เกิดจากฝุ่นผงได้

การใช้และดูแลเครื่องมือไฟฟ้า

18. อย่าฝืนใช้เครื่องมือไฟฟ้า ใช้เครื่องมือไฟฟ้าที่เหมาะสมกับการใช้งานของคุณ เครื่องมือไฟฟ้าที่เหมาะสมจะทำให้ได้งานที่มีประสิทธิภาพและปลอดภัยกว่าตามขีดความสามารถของเครื่องที่ได้รับการออกแบบมา
19. อย่าใช้เครื่องมือไฟฟ้า หากสวิทช์ไม่สามารถเปิดปิดได้ เครื่องมือไฟฟ้าที่ใช้สวิทช์ควบคุมไม่ได้จัดเป็นอันตรายและต้องได้รับการซ่อมแซม
20. ถอดปลั๊กจากแหล่งจ่ายไฟ และ/หรือชุดแบตเตอรี่ออกจากเครื่องมือไฟฟ้าก่อนทำการปรับแต่ง เปลี่ยนอุปกรณ์เสริม หรือจัดเก็บเครื่องมือไฟฟ้า วิธีการป้องกันด้านความปลอดภัยดังกล่าวจะช่วยลดความเสี่ยงของการเปิดใช้งานเครื่องมือไฟฟ้าอย่างไม่ตั้งใจ
21. จัดเก็บเครื่องมือไฟฟ้าที่ไม่ได้ใช้งานให้ห่างจากมือเด็ก และอย่าอนุญาตให้บุคคลที่ไม่คุ้นเคยกับเครื่องมือไฟฟ้า

- หรือคำแนะนำเหล่านี้ใช้งานเครื่องมือไฟฟ้า เครื่องมือไฟฟ้าจะเป็นอันตรายเมื่ออยู่ในมือของผู้ที่ไม่ได้รับการฝึกอบรม
- การดูแลเครื่องมือไฟฟ้า ตรวจสอบการประกอบที่ไม่ถูกต้องหรือการเชื่อมต่อของชิ้นส่วนที่เคลื่อนที่ การแตกหักของชิ้นส่วน และสภาพอื่น ๆ ที่อาจส่งผลกระทบต่อการทำงานของเครื่องมือไฟฟ้า หากมีความเสียหาย ให้นำเครื่องมือไฟฟ้าไปซ่อมแซมก่อนการใช้งาน อุบัติเหตุจำนวนมากเกิดจากการดูแลรักษาเครื่องมือไฟฟ้าอย่างไม่ถูกต้อง
 - ล้างความคมและทำความสะอาดเครื่องมือการตัดอยู่เสมอ เครื่องมือการตัดที่มีการดูแลอย่างถูกต้องและมีขอบการตัดคมมักจะมีความตึงเครียดน้อยและควบคุมได้ง่ายกว่า
 - ใช้เครื่องมือไฟฟ้า อุปกรณ์เสริม และวัสดุสิ้นเปลือง ฯลฯ ตามคำแนะนำดังกล่าว พิจารณาสภาพการทำงานและงานที่จะลงมือทำ การใช้เครื่องมือไฟฟ้าเพื่อทำงานอื่นนอกเหนือจากที่กำหนดไว้อาจทำให้เกิดอันตราย

การบริการ

- นำเครื่องมือไฟฟ้าเข้ารับบริการจากช่างซ่อมที่ผ่านการรับรองโดยใช้อะไหล่แบบเดียวกันเท่านั้น เพราะจะทำให้การใช้เครื่องมือไฟฟ้ามีความปลอดภัย
- ปฏิบัติตามคำแนะนำในการหล่อลื่นและการเปลี่ยนอุปกรณ์เสริม
- ดูแลมือจับให้แห้ง สะอาด และไม่มีน้ำมันและจาระบีเปื้อน

คำเตือนด้านความปลอดภัยของ เลื่อยสายพานแบบพกพา

GEB005-5

- ถือเครื่องมือบริเวณมือจับที่เป็นฉนวน ขณะทำงานที่เครื่องมือตัดอาจสัมผัสกับสายไฟที่ซ่อนอยู่หรือสายไฟของเครื่องเอง ชิ้นส่วนของเครื่องมือตัดที่สัมผัสกับสายไฟที่ "มีกระแสไฟฟ้าไหลผ่าน" อาจทำให้ส่วนที่เป็นโลหะของเครื่องมือไฟฟ้าที่ไม่มีฉนวนหุ้ม "มีกระแสไฟฟ้าไหลผ่าน" และทำให้ผู้ปฏิบัติงานถูกไฟฟ้ช็อคได้
- ใช้ใบเลื่อยที่มีความยาว 1,140 มม. (44 - 7/8") ความกว้าง 13 มม. (1/2") และความหนา 0.5 มม. (.020") เท่านั้น
- ตรวจสอบใบเลื่อยอย่างละเอียดว่ามีอาการเกาะหรือชำรุดเสียหายหรือไม่ก่อนการใช้งาน เปลี่ยนใบเลื่อยที่มีรอยร้าวหรือชำรุดเสียหายทันที
- ยึดชิ้นงานให้แน่นหนา ในขณะที่ทำการตัดชิ้นงานจำนวนมากพร้อมกัน ให้ตรวจสอบว่าได้ยึดชิ้นงานทั้งหมดเข้าด้วยกันอย่างแน่นหนาแล้วก่อนทำการตัด
- การตัดชิ้นงานที่มีน้ำมันเคลือบอยู่อาจทำให้ใบเลื่อยหลุดออกมาอย่างไม่คาดคิด เช็ดคราบน้ำมันที่ไหลล้นออกมาจากชิ้นงานให้หมดก่อนทำการตัด

- อย่าใช้น้ำมันสำหรับการตัดเป็นน้ำมันในการหล่อลื่น ใช้แว็กซ์หล่อลื่นของ Makita เท่านั้น
- อย่าสวมถุงมือระหว่างการทำงาน
- ถือเครื่องมืออย่างมั่นคงด้วยมือทั้งสองข้าง
- ระวังอย่าให้มือสัมผัสกับชิ้นส่วนที่หมุนได้
- เมื่อทำการตัดโลหะ ให้ระมัดระวังเศษโลหะร้อน ๆ ที่ปลิวออกมา
- อย่าปล่อยให้เครื่องมือทำงานค้างไว้โดยไม่มีผู้ดูแล
- ห้ามสัมผัสกับใบเลื่อยหรือชิ้นงานทันทีที่ทำงานเสร็จ เนื่องจากใบเลื่อยหรือชิ้นงานอาจมีความร้อนสูงและลวกผิวหนังของคุณได้

เก็บรักษาคำแนะนำเหล่านี้ไว้

⚠ คำเตือน:

อย่าให้ความไม่ระมัดระวังหรือความคุ้นเคยกับผลิตภัณฑ์ (จากการใช้งานซ้ำหลายครั้ง) อยู่เหนือการปฏิบัติตามกฎเกณฑ์ด้านความปลอดภัยในการใช้งานผลิตภัณฑ์อย่างเคร่งครัด การปฏิบัติอย่างไม่เหมาะสมหรือการไม่ปฏิบัติตามกฎเกณฑ์ด้านความปลอดภัยในคู่มือการใช้งานนี้อาจก่อให้เกิดการบาดเจ็บอย่างรุนแรง

คำอธิบายการใช้งาน

⚠ ข้อควรระวัง:

- ก่อนปรับเปลี่ยนหรือตรวจสอบการทำงานของเครื่อง ต้องตรวจสอบให้แน่ใจว่าได้ปิดสวิตช์และถอดปลั๊กเครื่องแล้วทุกครั้ง

การทำงานของสวิตช์ (ภาพที่ 1)

⚠ ข้อควรระวัง:

- ก่อนเสียบปลั๊กเครื่องมือ ให้ตรวจสอบว่าโกลสวิตช์สามารถทำงานได้อย่างถูกต้อง และกลับไปยังตำแหน่ง "OFF" เมื่อปล่อย ในการเริ่มต้นใช้งานเครื่องมือ ให้ดึงโกลสวิตช์ ปล่อยโกลสวิตช์เพื่อหยุดการทำงาน ถ้าต้องการใช้งานอย่างต่อเนื่อง ดึงโกลสวิตช์และจากนั้นกดปุ่มล็อค ถ้าต้องการเลิกใช้งานเครื่องมือในตำแหน่งล็อค ให้ดึงโกลสวิตช์จนสุด จากนั้นปล่อยสวิตช์

ตัวหมุนปรับระดับความเร็ว (ภาพที่ 2)

ความเร็วของเครื่องมือสามารถปรับได้อย่างหลากหลายระหว่าง 1.0 เมตร/วินาที และ 1.7 เมตร/วินาที โดยหมุนที่ตัวหมุนปรับระดับความเร็วจะสูงขึ้นเมื่อหมุนตัวหมุนปรับระดับไปทางหมายเลข 5 และความเร็วจะต่ำลงเมื่อหมุนตัวหมุนปรับระดับไปทางหมายเลข 1 เลือกความเร็วที่เหมาะสมกับชิ้นงานที่จะตัด

⚠️ ข้อควรระวัง:

- ตัวหมุนปรับระดับความเร็วสามารถหมุนได้มากที่สุดที่เลข 5 และต่ำสุดที่เลข 1 เท่านั้น อย่าฝืนหมุนจนเกินเลข 5 หรือ 1 มิฉะนั้นฟังก์ชันการปรับระดับความเร็วอาจไม่สามารถใช้งานได้อีกต่อไป

การเปิดสวิตช์ไฟสัญญาณ (ภาพที่ 3)

⚠️ ข้อควรระวัง:

- อย่าให้ไฟสัญญาณได้รับแรงกระแทกซึ่งอาจทำให้เกิดการชำรุดเสียหายหรืออาการใช้งานสั้นลง

การเปิดไฟสัญญาณ ให้กดด้าน "I" (ON) ของสวิตช์ไฟสัญญาณ กดด้าน "O" (OFF) เพื่อปิด

หมายเหตุ:

- ใช้ผ้าแห้งเช็ดคราบสกปรกที่เลนส์ของไฟสัญญาณ ระวังอย่าให้เลนส์ของไฟสัญญาณมีรอยขีดข่วน มิฉะนั้น อาจทำให้แสงมัวลงได้
- อย่าใช้ทินเนอร์หรือน้ำมันเชื้อเพลิงทำความสะอาดไฟสัญญาณ ตัวทำลายยางดังกล่าวอาจทำให้ไฟสัญญาณชำรุดเสียหาย
- ภายหลังการใช้งาน ให้ปิดไฟสัญญาณเสมอโดยกดที่ด้าน "O (OFF)"

ชิ้นส่วนของเครื่อง

⚠️ ข้อควรระวัง:

- ก่อนดำเนินการใดๆ กับเครื่อง ต้องตรวจสอบให้แน่ใจว่าปิดสวิตช์และถอดปลั๊กเครื่องแล้วทุกครั้ง

การประกอบหรือการนำใบเลื่อยออก

⚠️ ข้อควรระวัง:

- น้ำมันบนใบเลื่อยอาจเป็นสาเหตุให้ใบเลื่อยลื่นไถลหรือหลุดออกมาอย่างไม่คาดคิด ให้ผ้าเช็ดคราบน้ำมันที่ไหลล้นออกมา ก่อนการประกอบใบเลื่อย
- ใช้ความระมัดระวังในขณะที่ทำงานกับใบเลื่อยเพื่อไม่ให้คุณถูกขบที่มีคมของฟันเลื่อยบาด

หมุนคันโยกขับใบเลื่อยตามเข็มนาฬิกาจนกว่าคันโยกจะชนเข้ากับส่วนที่ยื่นออกมาบนโครงเลื่อย (ภาพที่ 4)

จัดทิศทางของลูกศรบนใบเลื่อยให้ตรงกับตำแหน่งของลูกศรบนจานหมุน (ภาพที่ 5)

สอดใบเลื่อยระหว่างตลับลูกปืนของมือจับด้านบนก่อน จากนั้นจึงสอดเข้าไปในมือจับด้านล่าง ด้านหลังของใบเลื่อยควรมีสัมผัสกับตลับลูกปืนในส่วนล่างของมือจับด้านบนและมือจับด้านล่าง จัดตำแหน่งใบเลื่อยรอบๆ จานหมุน และเสียบใบเลื่อยอีกด้านหนึ่งเข้าไปข้างในมือจับด้านบนและมือจับด้านล่างจนกว่าส่วนหลังของใบเลื่อยจะสัมผัสกับของส่วนท้ายของมือจับด้านบนและมือจับด้านล่าง (ภาพที่ 6 และ 7)

ใส่ใบเลื่อยเข้าในร่องในตัวนำใบเลื่อย

จับใบเลื่อยให้เข้าที่และหมุนคันโยกขับใบเลื่อยทวนเข็มนาฬิกาจนกว่าคันโยกจะชนเข้ากับส่วนที่ยื่นออกมาบนโครงเลื่อย วิธีนี้จะทำให้ใบเลื่อยมีความตึงที่เหมาะสม ตรวจสอบว่าใบเลื่อยอยู่ในตำแหน่งที่ถูกต้องภายในเครื่องป้องกันใบเลื่อยและรอบๆ จานหมุน เริ่มต้นและหยุดการทำงานของเครื่องมือสองหรือสามครั้งเพื่อให้มันเฝ้าใบเลื่อยทำงานบนจานหมุนอย่างเหมาะสม

⚠️ ข้อควรระวัง:

- ขณะที่ตรวจสอบว่าใบเลื่อยทำงานบนจานหมุนอย่างเหมาะสม ระวังให้ร่างกายของคุณอยู่ห่างจากพื้นที่การทำงานของใบเลื่อย ในกรณีใดใบเลื่อยออก ให้ปฏิบัติตามขั้นตอนการประกอบในด้านที่ตรงกันข้าม

⚠️ ข้อควรระวัง:

- เมื่อหมุนคันโยกขับใบเลื่อยตามเข็มนาฬิกาเพื่อคลายความตึงของใบเลื่อย ให้หันหัวของเครื่องมือลงด้านล่างเพราะใบเลื่อยอาจหลุดออกมาอย่างไม่คาดคิด

การปรับส่วนที่ยื่นออกมาของแผ่นจับ

ระยะเวลาหยุด (ภาพที่ 8)

ในการทำงานปกติ ให้ดันแผ่นจับระยะเวลาหยุดให้ยื่นออกมาทางด้าน A จนสุด

เมื่อแผ่นจับระยะเวลาหยุดชนเข้ากับสิ่งกีดขวาง เช่น ผนังหรือสิ่งที่มีลักษณะใกล้เคียงกันเมื่อทำการตัดเสร็จสิ้น ให้คลายเกลียวสกรูทั้งสองตัวและเลื่อนแผ่นจับระยะเวลาหยุดไปทางด้าน B ตามภาพ หลังจากเลื่อนแผ่นจับระยะเวลาหยุดแล้ว ให้ขันสกรูสองตัวเพื่อยึดแผ่นให้แน่นหนา

การทำงาน

ควรให้ฟันเลื่อยอย่างน้อยสองซี่อยู่ในรอยตัด เลือกตำแหน่งการตัดที่เหมาะสมกับชิ้นงานของคุณโดยดูตามภาพ (ภาพที่ 9)

ใช้มือทั้งสองข้างถือเครื่องมือไว้ตามที่แสดงในภาพโดยให้แผ่นจับระยะเวลาหยุดสัมผัสกับชิ้นงานและใบเลื่อยไม่สัมผัสกับชิ้นงาน (ภาพที่ 10)

เปิดเครื่องมือและรอจนกว่าใบเลื่อยทำงานที่ความเร็วสูงสุด ค่อยๆ กดใบเลื่อยเข้าไปในรอยตัด

ด้วยน้ำหนักของเครื่องมือหรือการกดเครื่องมือลงเล็กน้อยเพียงพอที่จะให้แรงตึงที่เหมาะสมต่อการตัด อย่าฝืนใช้งานเครื่องมือ

เมื่อคุณได้ตัดงานเสร็จเรียบร้อยแล้ว ให้ผ่อนแรงดันโดยไม่ต้องยกเครื่องมือขึ้นจริงๆ แต่ให้ยกเครื่องขึ้นเล็กน้อยเพื่อไม่ให้เครื่องตกไปกระทบกับชิ้นงาน

⚠️ ข้อควรระวัง:

- การใช้แรงกดเครื่องมือมากเกินไป หรือการบิดงอของใบเลื่อย อาจทำให้การตัดเป็นมุมเฉียงหรือทำให้ใบเลื่อยชำรุดเสียหาย
- เมื่อไม่ได้งานเครื่องมือเป็นระยะเวลานาน ให้ถอดใบเลื่อยออกจากเครื่องมือ (ภาพที่ 11)

เมื่อทำการตัดโลหะ ให้ใช้แวกซ์หล่อลื่นของ Makita เป็นน้ำมัน ในการหล่อลื่น ในการใช้แวกซ์หล่อลื่นกับพื้นเลื่อย ให้เปิดใช้งาน เครื่องมือและตัดเข้าไปในแวกซ์หล่อลื่นตามที่แสดงในภาพ หลังจากเปิดฝาของแวกซ์หล่อลื่นออกแล้ว

⚠️ ข้อควรระวัง:

- อย่าใช้น้ำมันสำหรับการตัดหรือใช้แวกซ์หล่อลื่นกับใบเลื่อย ในปริมาณมากเกินไป เพราะอาจทำให้ใบเลื่อยสิ้นเปลืองหรือ หลุดออกมาอย่างไม่คาดคิด
- เมื่อทำการตัดเหล็กหล่อ อย่าใช้แวกซ์หล่อลื่น

การดูแลรักษา

⚠️ ข้อควรระวัง:

- ก่อนตรวจสอบหรือดูแลรักษาเครื่อง ต้องตรวจสอบให้แน่ใจว่าได้ปิดสวิตช์และถอดปลั๊กเครื่องออกแล้วทุกครั้ง
- อย่าใช้น้ำมันเชื้อเพลิง เบนซิน ทินเนอร์ แอลกอฮอล์ หรือ วัสดุประเภทเดียวกัน เพราะอาจทำให้เครื่องมือเสียหาย วัสดุทรง หรือแตกหักได้

การทำความสะอาด

หลังจากใช้งาน ให้เช็ดแวกซ์ เศษชิ้นงาน และฝุ่นผงออกจาก เครื่องมือ ล้อยางของจานหมุนและใบเลื่อย

⚠️ ข้อควรระวัง:

- อย่าใช้สารทำลายลาย เช่น น้ำมันสน น้ำมันเชื้อเพลิง แล็คเกอร์ ฯลฯ เพื่อทำความสะอาดชิ้นส่วนที่เป็นพลาสติก
- แวกซ์และเศษชิ้นงานบนล้อยางอาจทำให้ใบเลื่อยสิ้นเปลืองและ หลุดออกมาอย่างไม่คาดคิด ใช้ผ้าแห้งเช็ดแวกซ์และเศษชิ้นงาน ออกจากล้อยาง

การเปลี่ยนล้อยางของจานหมุน (ภาพที่ 12)

เมื่อใบเลื่อยสิ้นเปลืองหรือไม่อยู่ในตำแหน่งที่เหมาะสมเนื่องจาก ล้อยางสึกหรอมาก หรือขอบของล้อยางทางด้านข้างมอเตอร์ ชำรุดเสียหาย ควรเปลี่ยนล้อยางใหม่

การเปลี่ยนหลอดฟลูออเรสเซนต์ (ภาพที่ 13)

⚠️ ข้อควรระวัง:

- ตรวจสอบให้แน่ใจเสมอว่าปิดเครื่อง และถอดปลั๊กไฟออกก่อน จะทำการเปลี่ยนหลอดฟลูออเรสเซนต์
- อย่าใช้แรง กระแทก หรือข่วนท่อฟลูออเรสเซนต์ ซึ่งจะทำให้ แก้วของหลอดฟลูออเรสเซนต์แตก แล้วทำให้อุณหภูมิหรือผู้ร่วมงาน บาดเจ็บได้
- ปลดหลอดฟลูออเรสเซนต์ทั้งไว้สัปดาห์หลังจากใช้งาน แล้วจึง เปลี่ยนมัน หากไม่แล้ว มันจะลวกได้

ถอดสกรูซึ่งยึดกล่องไฟสำหรับส่องสว่างออก

ดึงกล่องไฟส่องสว่างโดยกดเบาๆที่ตำแหน่งด้านบนของรูปด้านซ้าย

ดึงหลอดฟลูออเรสเซนต์แล้วเปลี่ยนด้วยหลอดของแท้อันใหม่จาก Makita

การเปลี่ยนแปลงถ่าน (ภาพที่ 14)

ถอดและตรวจสอบแบตเตอรี่เป็นประจำ หากแบตเตอรี่ลดลงไปถึงเครื่องหมายขีดจำกัด ให้เปลี่ยนแปลงใหม่ รักษาความสะดวก ของแบตเตอรี่ และตรวจสอบว่าสามารถใส่ลงในช่องใส่แบตเตอรี่ ได้ ควรเปลี่ยนแปลงถ่านใหม่พร้อมกันเป็นคู่ ใช้แบตเตอรี่ลักษณะ เหมือนกันเท่านั้น

ใช้ไขควงถอดฝาปิดช่องใส่แบตเตอรี่ออก นำแบตเตอรี่ที่สึกหรอแล้ว ออกมา ใส่แบตเตอรี่ใหม่เข้าไป ปิดฝาปิดช่องใส่แบตเตอรี่ให้เข้าที่ (ภาพที่ 15)

เพื่อดูและให้ผลิตภัณฑ์ที่มีความปลอดภัยและไว้วางใจได้ ควรนำส่ง ผลิตภัณฑ์ให้แก่ศูนย์บริการที่ได้รับอนุญาตของ Makita ดำเนินการ ซ่อมแซม ดูแลรักษา หรือเปลี่ยนอะไหล่ และใช้อะไหล่แท้ของ Makita เท่านั้น

อุปกรณ์เสริม

⚠️ ข้อควรระวัง:

- ขอแนะนำให้ใช้อุปกรณ์เสริมหรือส่วนประกอบเหล่านี้กับเครื่องมือ Makita ของคุณตามที่ระบุในคู่มือนี้ การใช้อุปกรณ์เสริมหรือ ส่วนประกอบอื่นอาจทำให้ผู้ใช้ได้รับบาดเจ็บ ใช้อุปกรณ์เสริม หรือส่วนประกอบตามที่ระบุไว้เท่านั้น

หากคุณต้องการทราบรายละเอียดเพิ่มเติมเกี่ยวกับอุปกรณ์เสริม ดังกล่าว โปรดสอบถามศูนย์บริการของ Makita ในพื้นที่ของคุณ

- ใบเลื่อยสายพาน
- ประแจหกเหลี่ยม 4
- แวกซ์หล่อลื่น
- ชุดตั้งเลื่อยสายพานแบบพกพา

หมายเหตุ:

- อุปกรณ์เสริมบางรายการอาจเป็นอุปกรณ์เสริมมาตรฐานที่ รวมอยู่ในชุดเครื่องมือแล้ว ทั้งนี้ อาจมีความแตกต่างกันในแต่ละ ประเทศ

Makita Corporation
3-11-8, Sumiyoshi-cho,
Anjo, Aichi 446-8502 Japan

884563C379

www.makita.com

ALA