

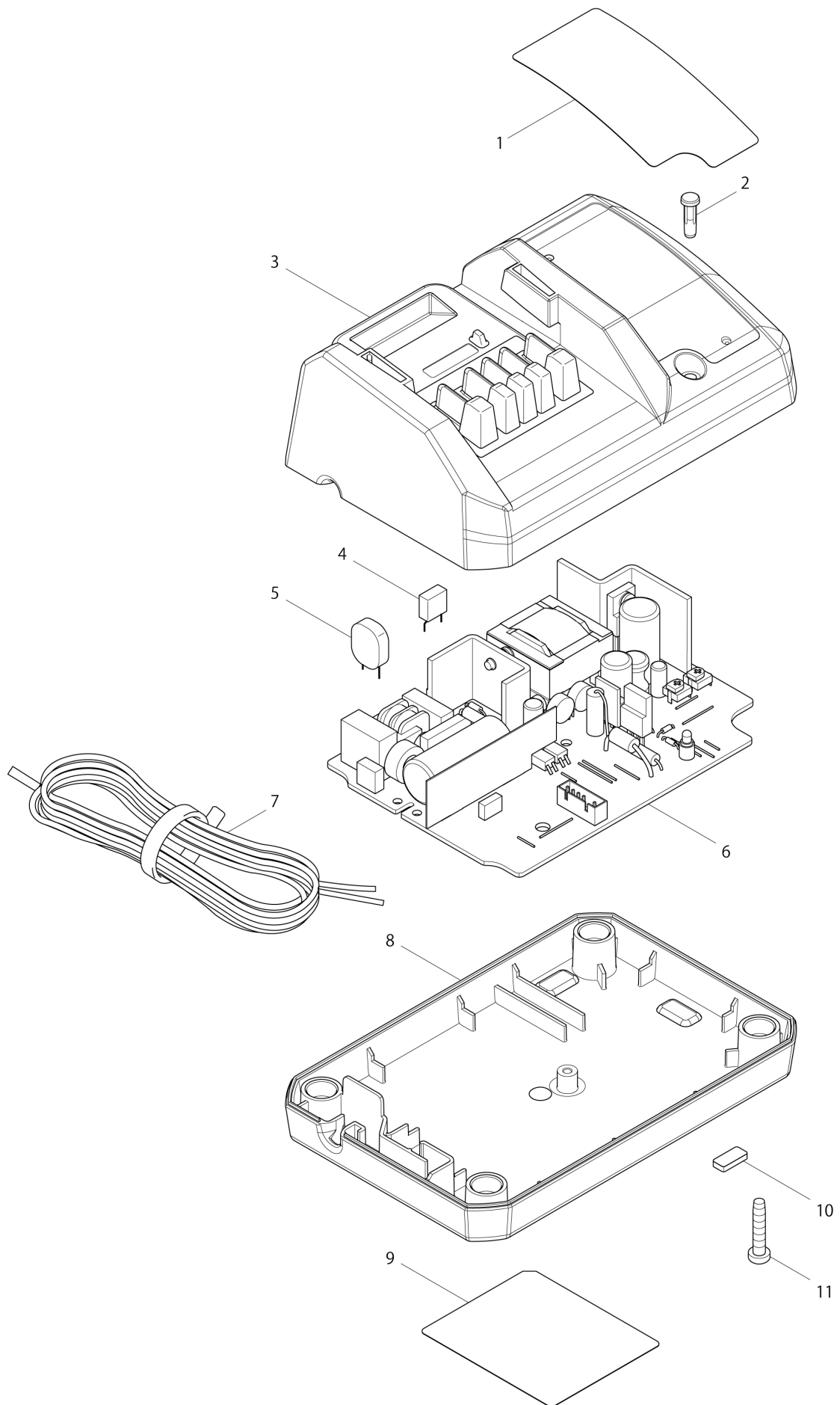


VN	VIETNAM
----	---------

Diagram / Parts List

DC18WA
CHARGER

(VN) DC18WA / CHARGER



VN	VIETNAM
-----------	----------------

DC18WA / CHARGER

Item	Sub	Parts No.	Parts Description	Qty	I/C	E/C No.	Close No.	Remark
001		892431-5	CHARGING CONDITION LABEL	1				
002		452263-8	LENS	1			Y06877	
002A		454956-3	LENS	1		A3248		(SUNSTRONG)
003		140825-1	CHARGER CASE COMPLETE	1			Y06877	
	D10		INC. 2				Y06877	
003A		142456-2	CHARGER CASE COMPLETE	1		A3248		(SUNSTRONG)
	D10		INC. 2A			A3248		
004		652789-2	FUSE	1			B8262	
004-1		652789-2	FUSE	1	O	B8262		
005		647333-8	VARISTOR	1			C8900	
005-1		647306-1	VARISTOR	1	O	C8900		
006		620026-2	CHARGING CIRCUIT	1			Y06877	
	D10		INC. 4,5				Y06877	
006A		620272-7	CHARGING CIRCUIT	1		A3248		(SUNSTRONG)
007		667869-1	POWER SUPPLY CORD	1			A1230	
007-1		667985-9	VINYL CORD 0.75-2-2.0	1	O	A1230		
007A		667895-0	POWER SUPPLY CORD	1		A3248	A3182C	(SUNSTRONG)
007A1		667985-9	VINYL CORD 0.75-2-2.0	1	O	A3182C		(SUNSTRONG)
008		140713-2	CHARGER CASE COVER COMPLETE	1			Y06877	
	D10		INC. 10				Y06877	
008A		142453-8	CHARGER CASE COVER COMPLETE	1		A3248		(SUNSTRONG)
	D10		INC. 10A			A3248		
009		869026-9	DC18WA NAME PLATE	1				
010		423415-8	RUBBER SHEET	6				
010A		423474-2	RUBBER SHEET	6		A3248		(SUNSTRONG)
011		266625-2	TAPPING SCREW PT 4X20	4				
011A		266897-9	TAPPING SCREW PT 4X20	4		A3248		(SUNSTRONG)

Interchange
O : Yes
X : No
< : the new part can be substituted for the current.
> : the current part can be substituted for the new.
S : Interchangeable as a set.