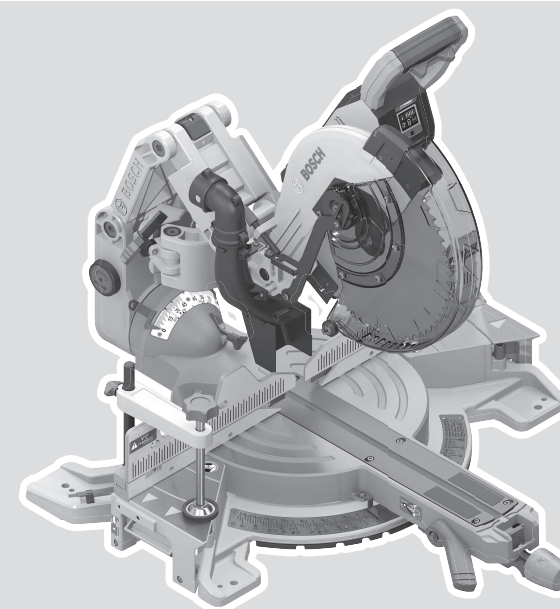




 **BOSCH**

GCM 18V-305 GDC

Professional **HEAVY DUTY**



Robert Bosch Power Tools GmbH
70538 Stuttgart
GERMANY

www.bosch-pt.com

1 609 92A 6TT (2021.07) PS / 227

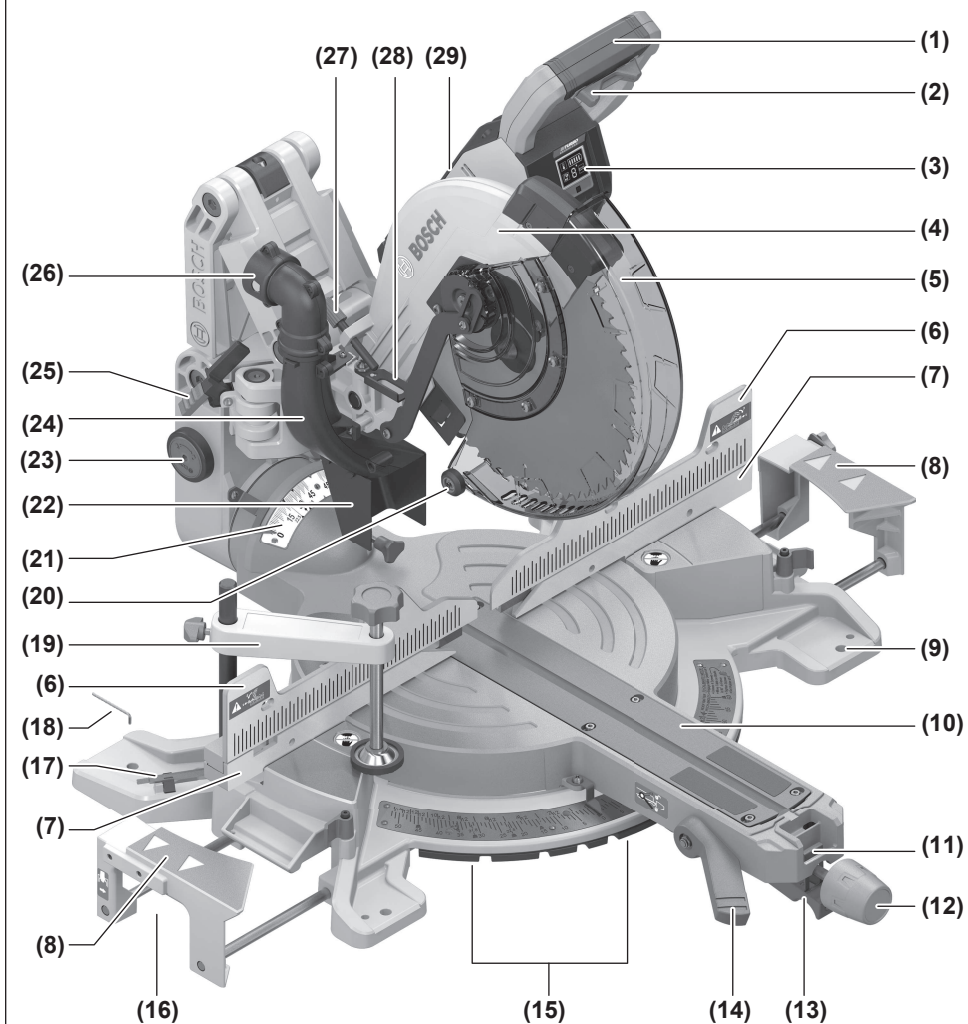


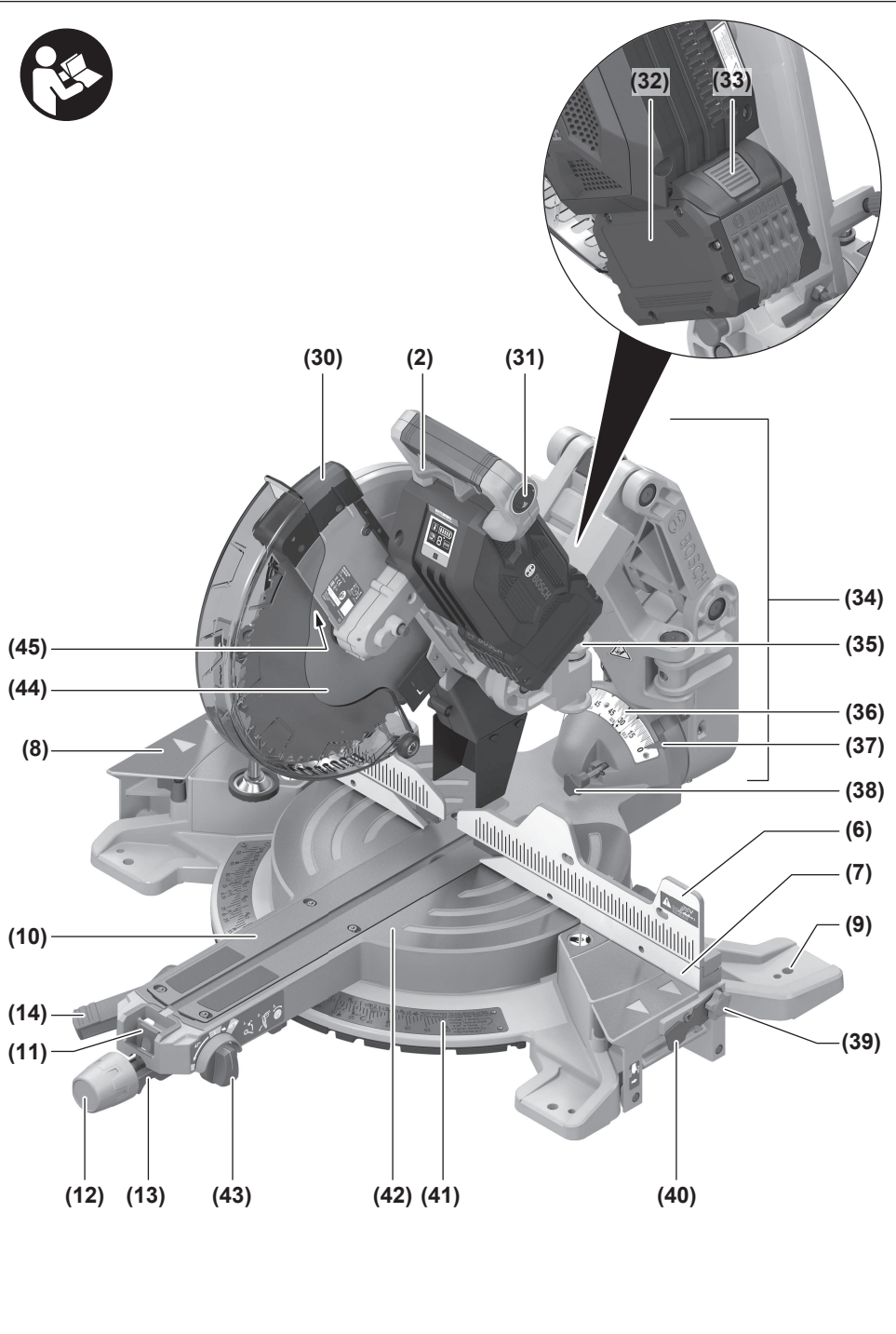
1 609 92A 6TT

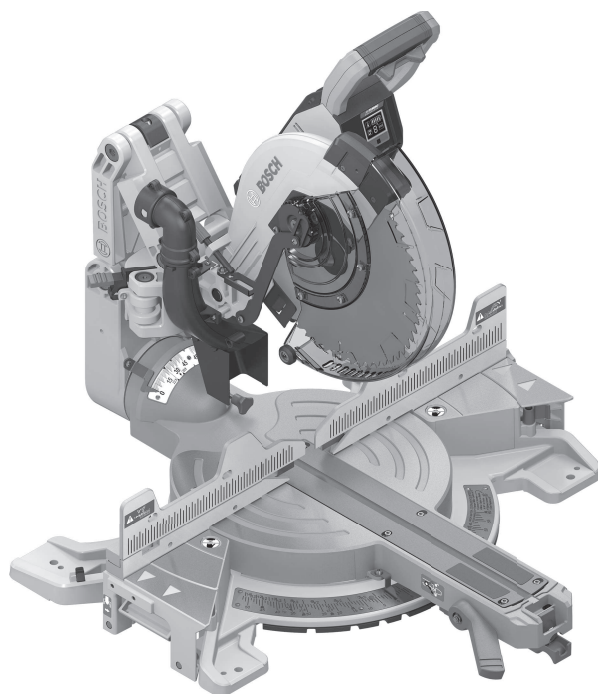
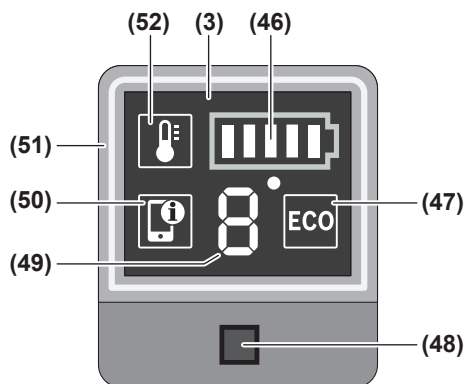
- en Original instructions
- fr Notice originale
- pt Manual original
- es Manual original
- pt Manual de instruções original
- zh 正本使用说明书
- zh 原始使用說明書
- th หนังสือคู่มือการใช้งานฉบับต้นแบบ
- id Petunjuk-Petunjuk untuk Penggunaan Orisinal
- vi Bản gốc hướng dẫn sử dụng
- ar دليل التشغيل الأصلي
- fa دفترچه راهنمای اصلی

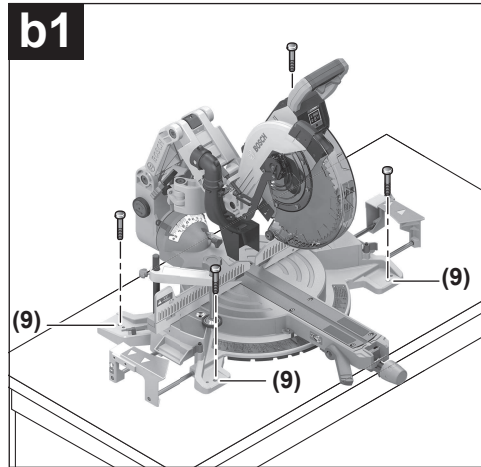
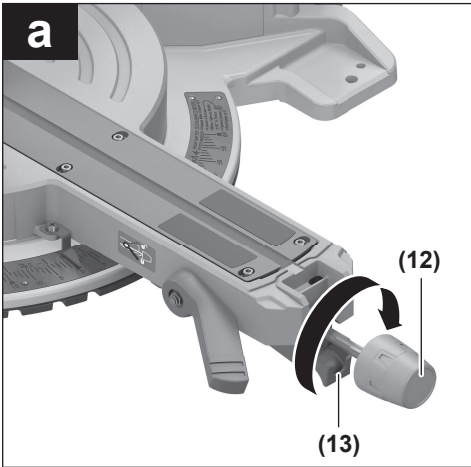


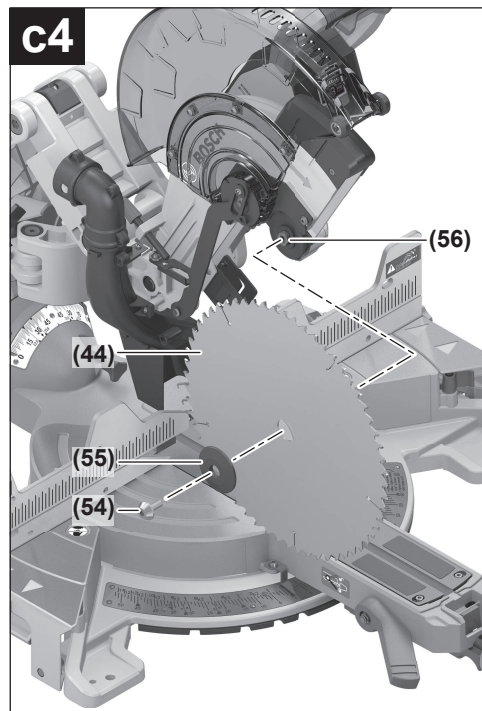
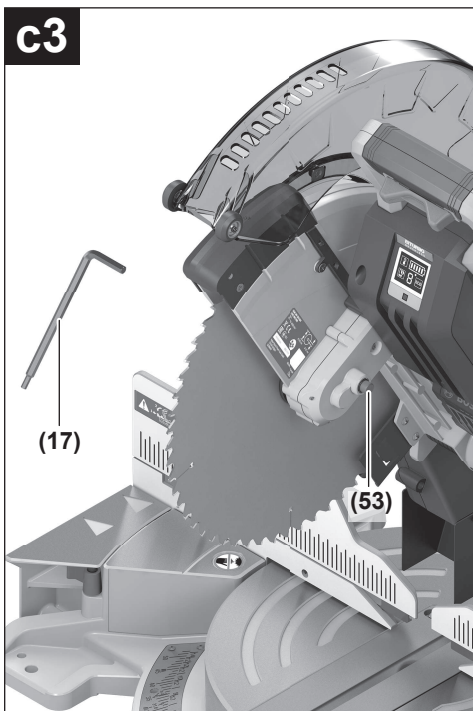
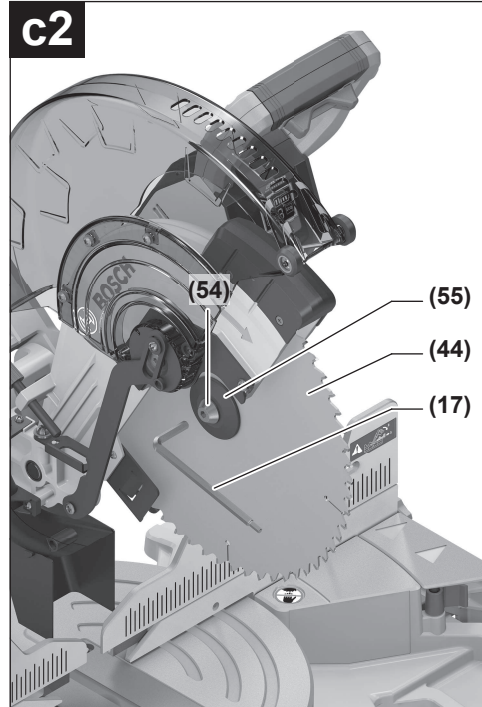
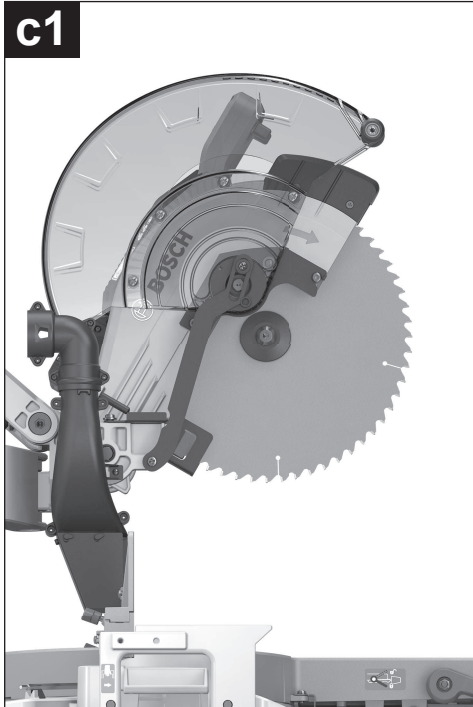
English	Page	16
Français	Page	32
Português	Página	50
Español	Página	68
Português do Brasil	Página	87
中文	頁	105
繁體中文	頁	119
ไทย	หน้า	133
Bahasa Indonesia	Halaman	153
Tiếng Việt	Trang	170
عربي	الصفحة	189
فارسی	صفحه	207

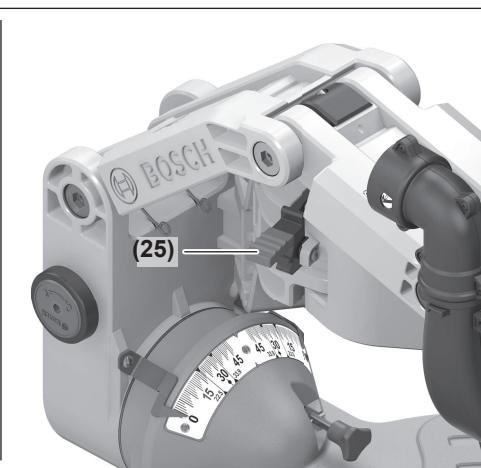
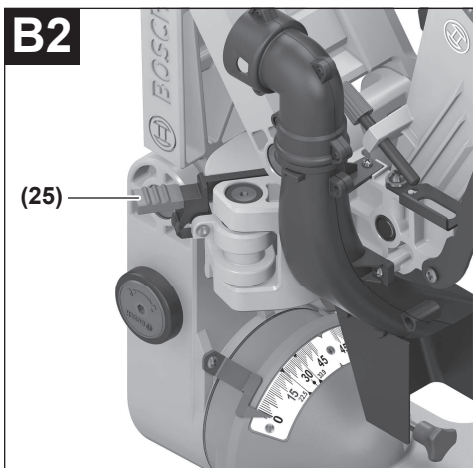
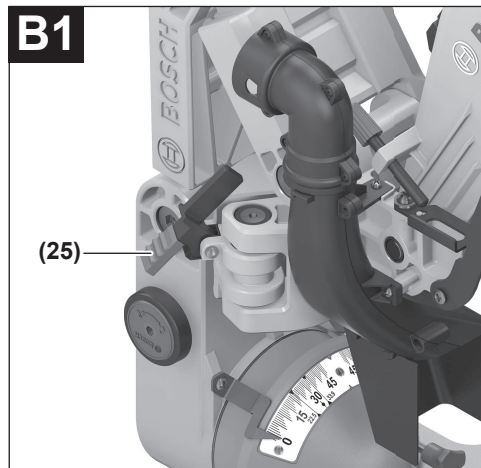
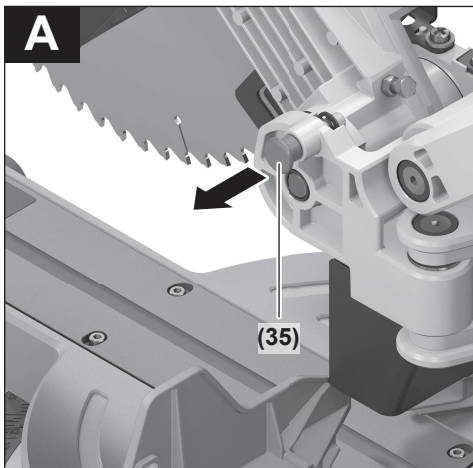
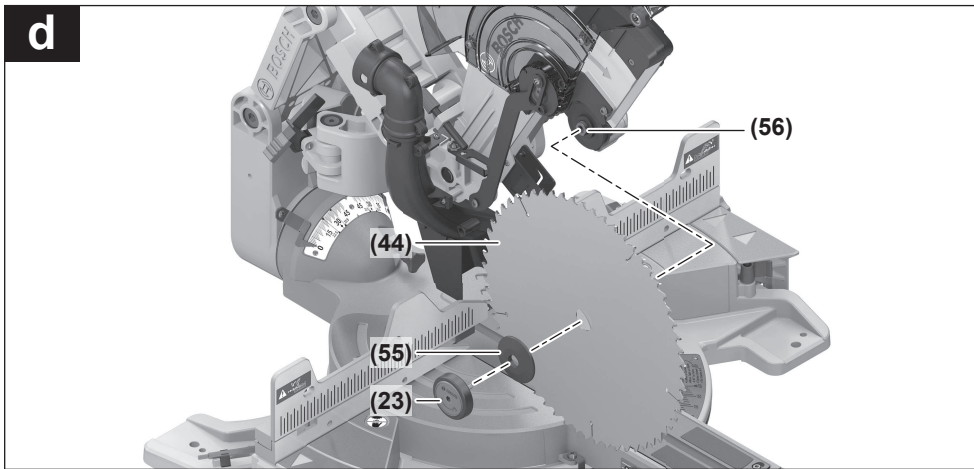


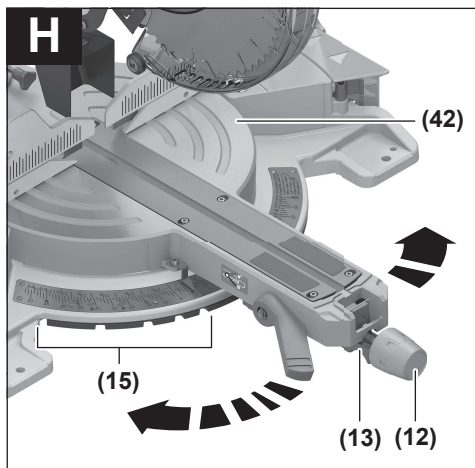
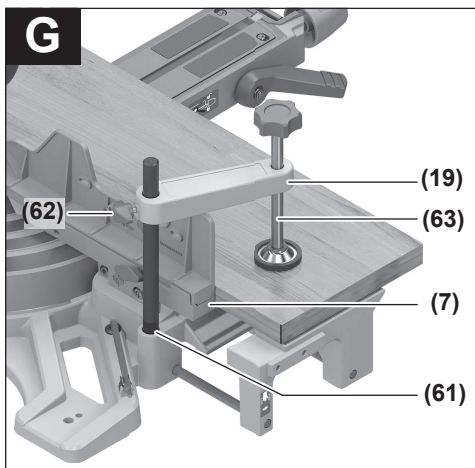
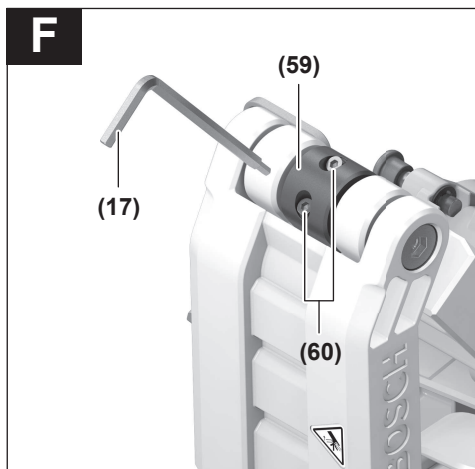
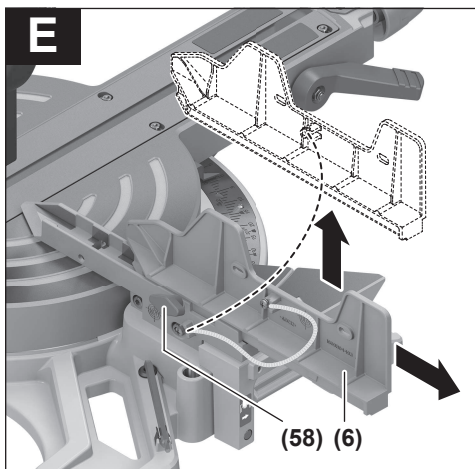
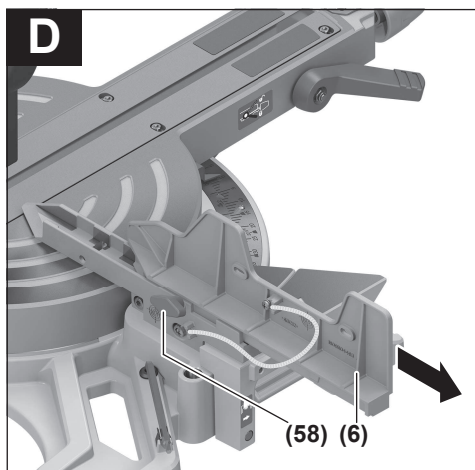
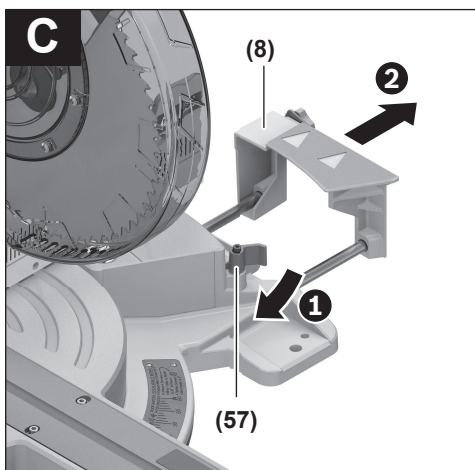


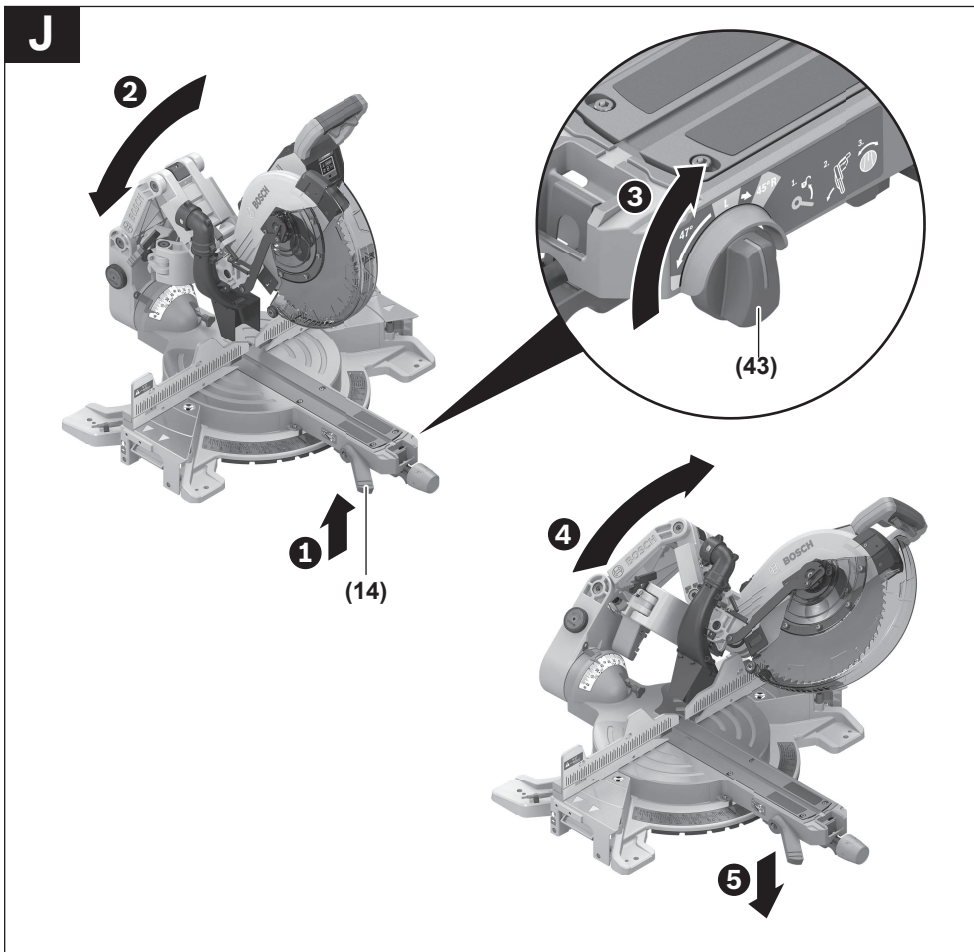
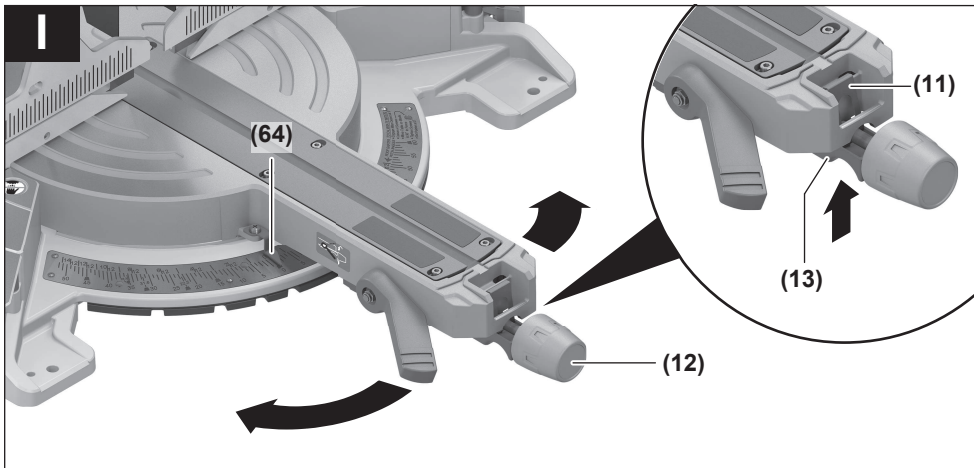


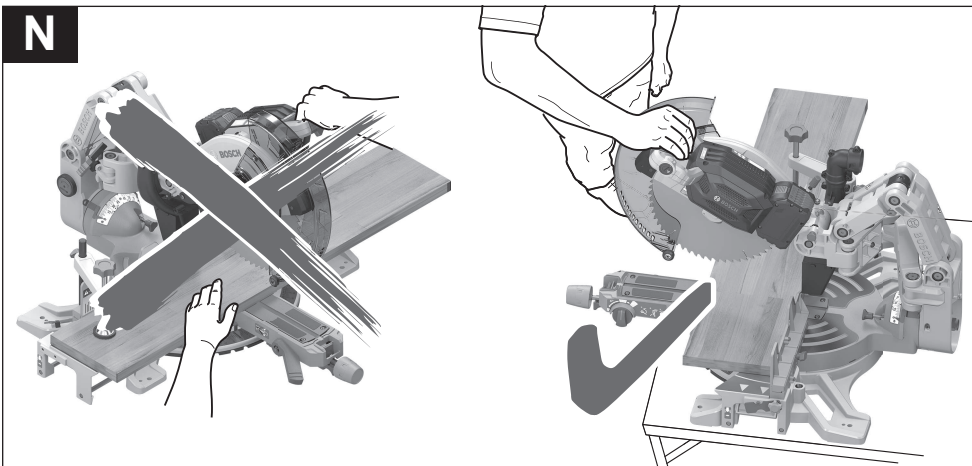
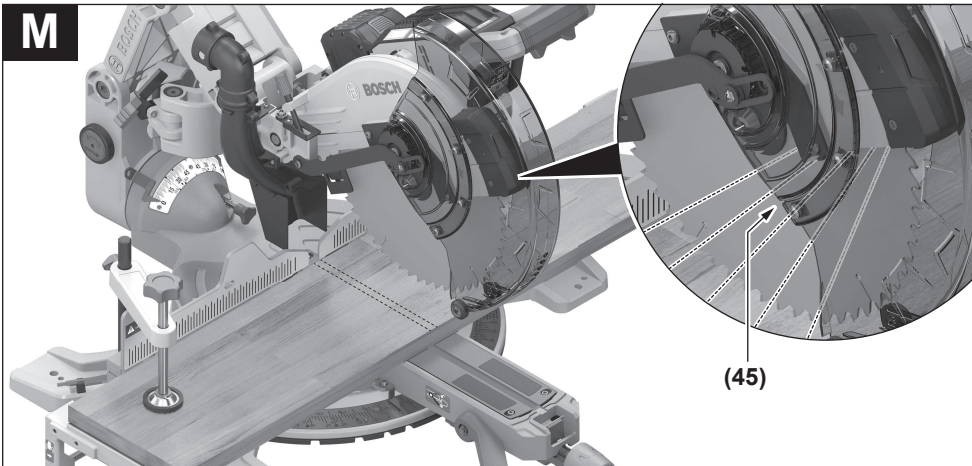
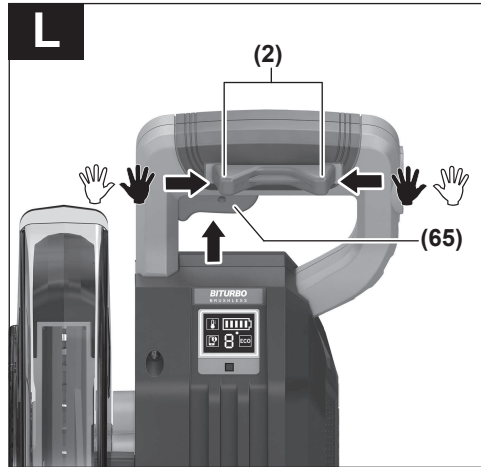
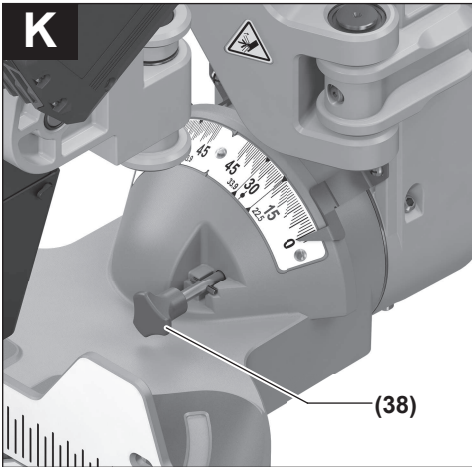


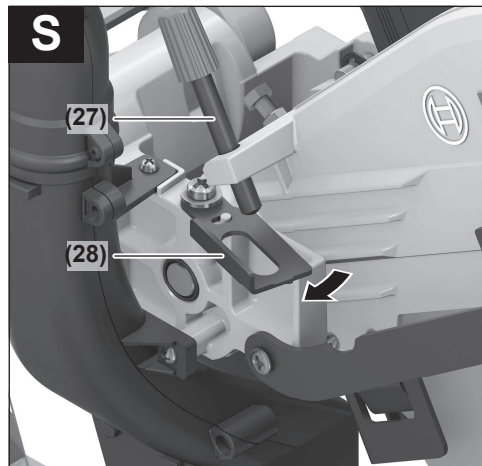
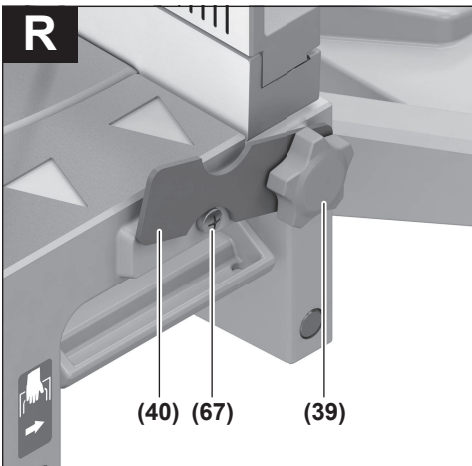
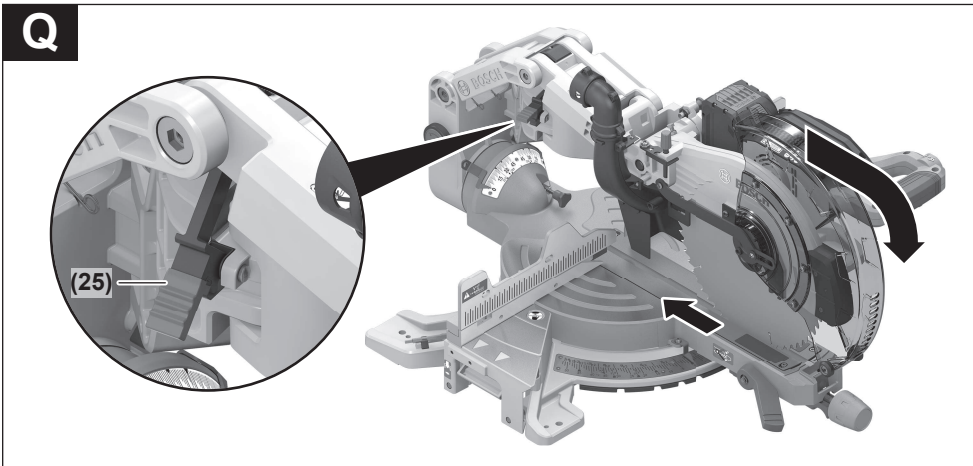
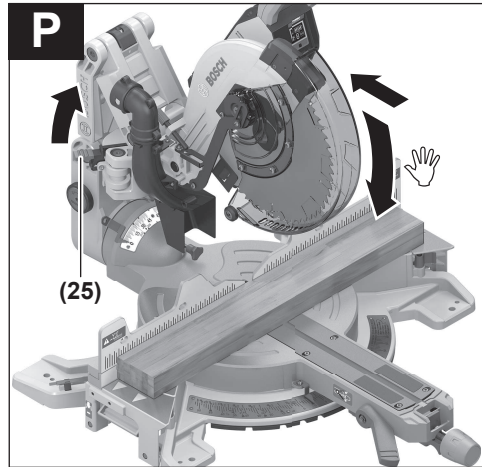
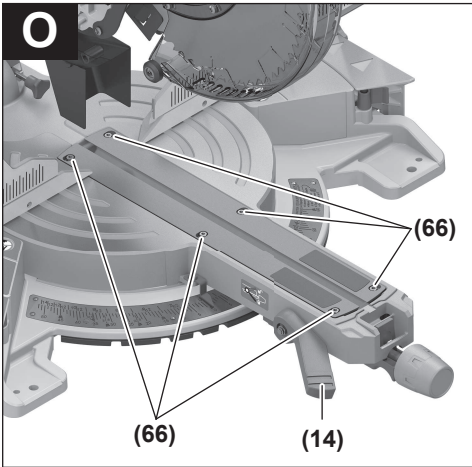


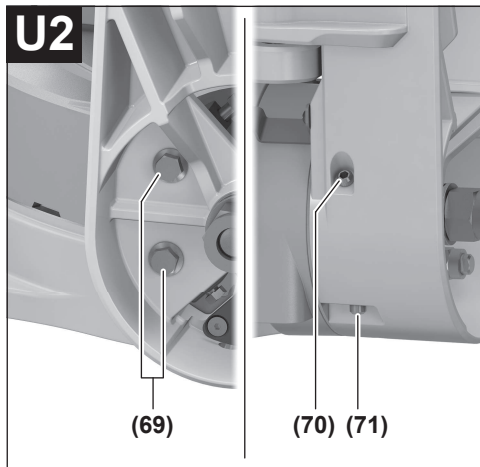
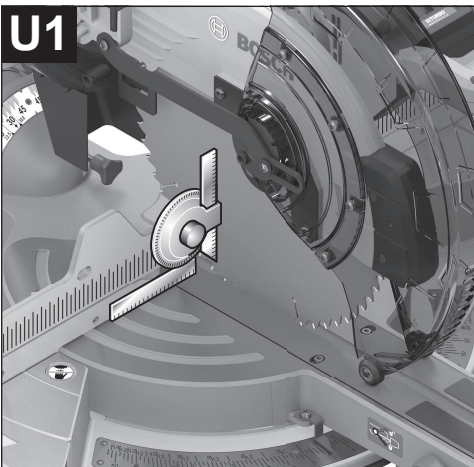
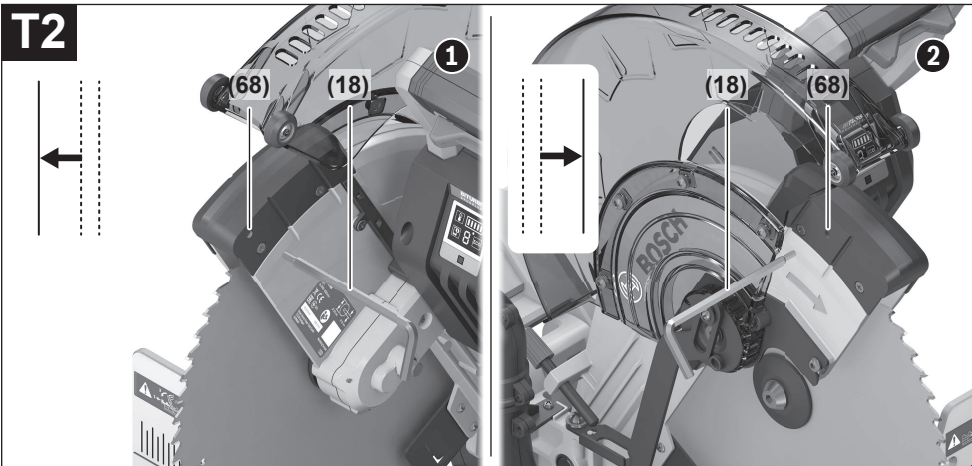
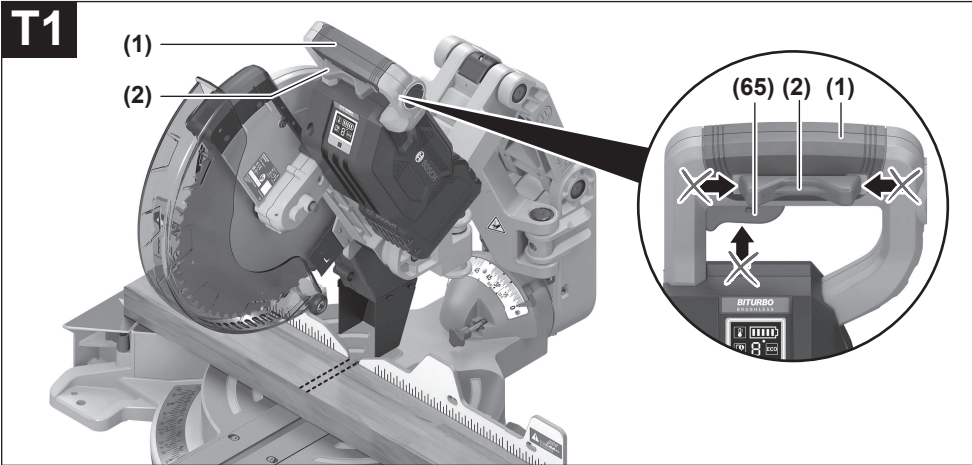


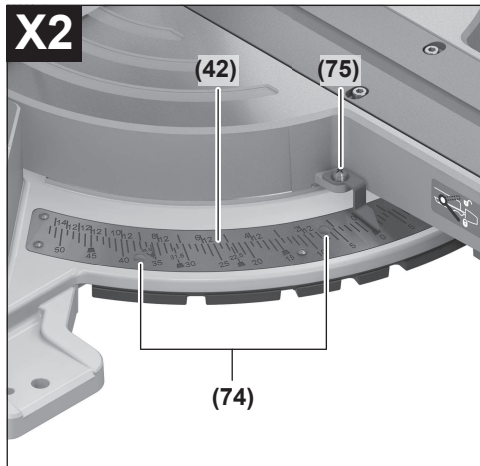
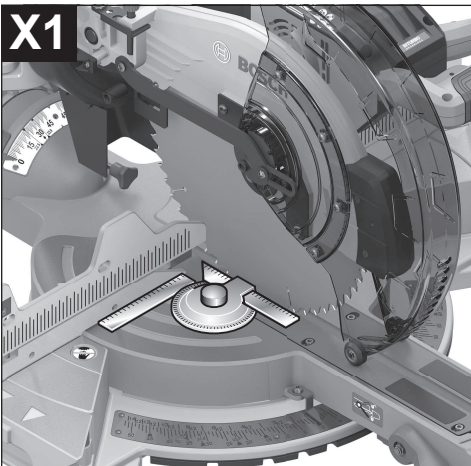
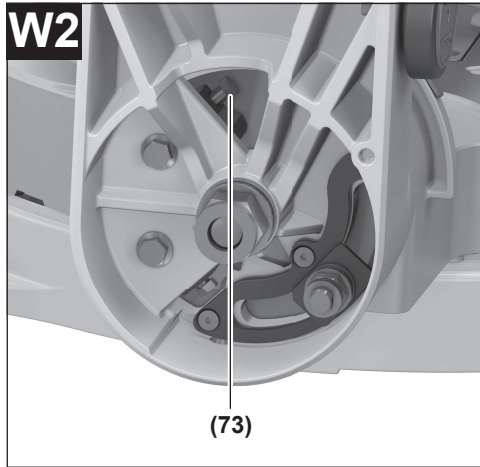
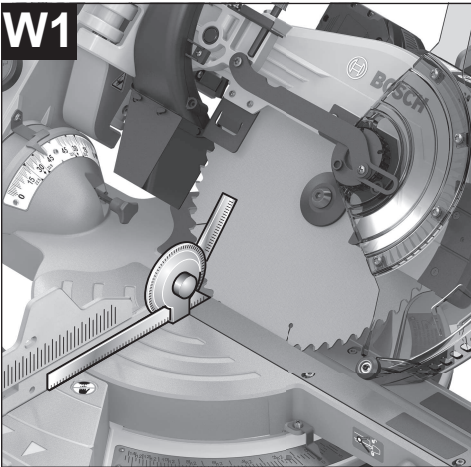
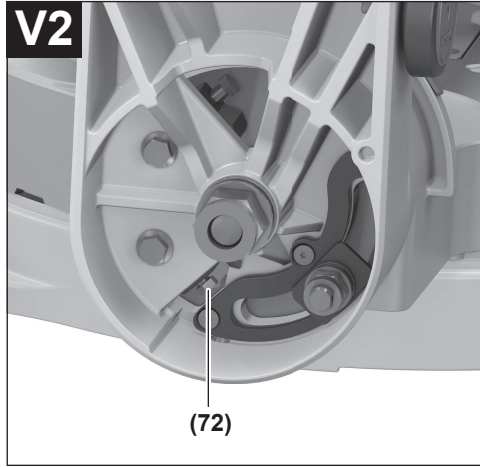
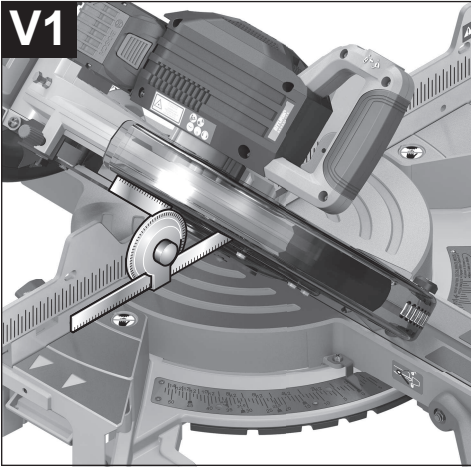


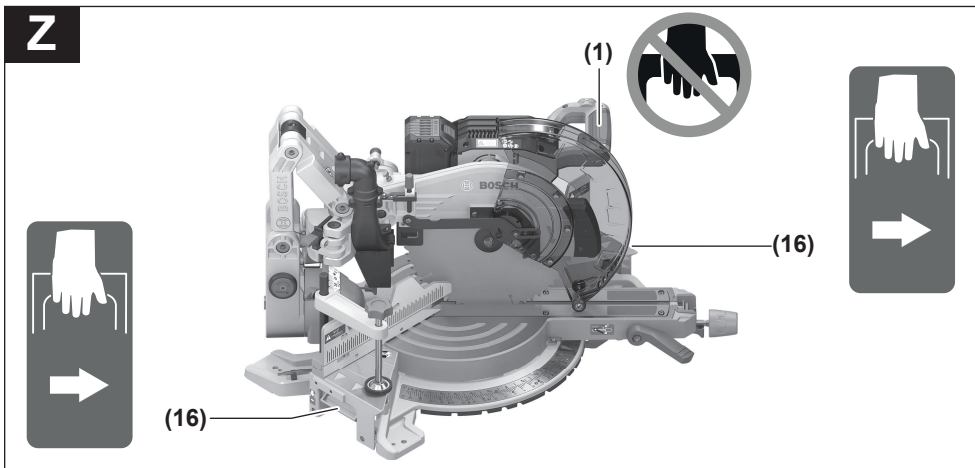
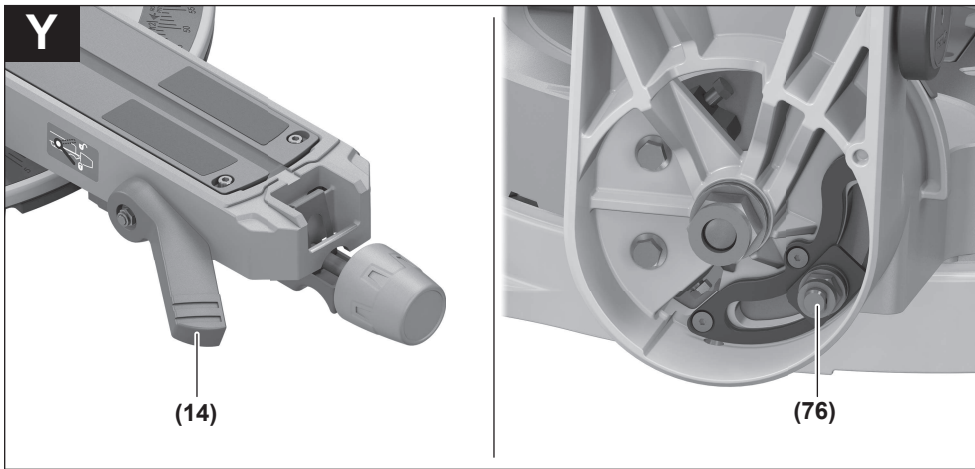












English

Safety Instructions

General Power Tool Safety Warnings

⚠ WARNING Read all safety warnings, instructions, illustrations and specifications provided with this power tool. Failure to follow all instructions listed below may result in electric shock, fire and/or serious injury.

Save all warnings and instructions for future reference.

The term "power tool" in the warnings refers to your mains-operated (corded) power tool or battery-operated (cordless) power tool.

Work area safety

- ▶ **Keep work area clean and well lit.** Cluttered or dark areas invite accidents.
- ▶ **Do not operate power tools in explosive atmospheres, such as in the presence of flammable liquids, gases or dust.** Power tools create sparks which may ignite the dust or fumes.
- ▶ **Keep children and bystanders away while operating a power tool.** Distractions can cause you to lose control.

Electrical safety

- ▶ **Power tool plugs must match the outlet. Never modify the plug in any way. Do not use any adapter plugs with earthed (grounded) power tools.** Unmodified plugs and matching outlets will reduce risk of electric shock.
- ▶ **Avoid body contact with earthed or grounded surfaces, such as pipes, radiators, ranges and refrigerators.** There is an increased risk of electric shock if your body is earthed or grounded.
- ▶ **Do not expose power tools to rain or wet conditions.** Water entering a power tool will increase the risk of electric shock.
- ▶ **Do not abuse the cord. Never use the cord for carrying, pulling or unplugging the power tool. Keep cord away from heat, oil, sharp edges or moving parts.** Damaged or entangled cords increase the risk of electric shock.
- ▶ **When operating a power tool outdoors, use an extension cord suitable for outdoor use.** Use of a cord suitable for outdoor use reduces the risk of electric shock.
- ▶ **If operating a power tool in a damp location is unavoidable, use a residual current device (RCD) protected supply.** Use of an RCD reduces the risk of electric shock.

Personal safety

- ▶ **Stay alert, watch what you are doing and use common sense when operating a power tool. Do not use a power tool while you are tired or under the influence of drugs, alcohol or medication.** A moment of inatten-

tion while operating power tools may result in serious personal injury.

- ▶ **Use personal protective equipment. Always wear eye protection.** Protective equipment such as a dust mask, non-skid safety shoes, hard hat or hearing protection used for appropriate conditions will reduce personal injuries.
- ▶ **Prevent unintentional starting. Ensure the switch is in the off-position before connecting to power source and/or battery pack, picking up or carrying the tool.** Carrying power tools with your finger on the switch or energising power tools that have the switch on invites accidents.
- ▶ **Remove any adjusting key or wrench before turning the power tool on.** A wrench or a key left attached to a rotating part of the power tool may result in personal injury.
- ▶ **Do not overreach. Keep proper footing and balance at all times.** This enables better control of the power tool in unexpected situations.
- ▶ **Dress properly. Do not wear loose clothing or jewellery. Keep your hair and clothing away from moving parts.** Loose clothes, jewellery or long hair can be caught in moving parts.
- ▶ **If devices are provided for the connection of dust extraction and collection facilities, ensure these are connected and properly used.** Use of dust collection can reduce dust-related hazards.
- ▶ **Do not let familiarity gained from frequent use of tools allow you to become complacent and ignore tool safety principles.** A careless action can cause severe injury within a fraction of a second.

Power tool use and care

- ▶ **Do not force the power tool. Use the correct power tool for your application.** The correct power tool will do the job better and safer at the rate for which it was designed.
- ▶ **Do not use the power tool if the switch does not turn it on and off.** Any power tool that cannot be controlled with the switch is dangerous and must be repaired.
- ▶ **Disconnect the plug from the power source and/or remove the battery pack, if detachable, from the power tool before making any adjustments, changing accessories, or storing power tools.** Such preventive safety measures reduce the risk of starting the power tool accidentally.
- ▶ **Store idle power tools out of the reach of children and do not allow persons unfamiliar with the power tool or these instructions to operate the power tool.** Power tools are dangerous in the hands of untrained users.
- ▶ **Maintain power tools and accessories. Check for misalignment or binding of moving parts, breakage of parts and any other condition that may affect the power tool's operation. If damaged, have the power tool repaired before use.** Many accidents are caused by poorly maintained power tools.

- ▶ **Keep cutting tools sharp and clean.** Properly maintained cutting tools with sharp cutting edges are less likely to bind and are easier to control.
- ▶ **Use the power tool, accessories and tool bits etc. in accordance with these instructions, taking into account the working conditions and the work to be performed.** Use of the power tool for operations different from those intended could result in a hazardous situation.
- ▶ **Keep handles and grasping surfaces dry, clean and free from oil and grease.** Slippery handles and grasping surfaces do not allow for safe handling and control of the tool in unexpected situations.

Battery tool use and care

- ▶ **Recharge only with the charger specified by the manufacturer.** A charger that is suitable for one type of battery pack may create a risk of fire when used with another battery pack.
- ▶ **Use power tools only with specifically designated battery packs.** Use of any other battery packs may create a risk of injury and fire.
- ▶ **When battery pack is not in use, keep it away from other metal objects, like paper clips, coins, keys, nails, screws or other small metal objects, that can make a connection from one terminal to another.** Shorting the battery terminals together may cause burns or a fire.
- ▶ **Under abusive conditions, liquid may be ejected from the battery; avoid contact. If contact accidentally occurs, flush with water. If liquid contacts eyes, additionally seek medical help.** Liquid ejected from the battery may cause irritation or burns.
- ▶ **Do not use a battery pack or tool that is damaged or modified.** Damaged or modified batteries may exhibit unpredictable behaviour resulting in fire, explosion or risk of injury.
- ▶ **Do not expose a battery pack or tool to fire or excessive temperature.** Exposure to fire or temperature above 130°C may cause explosion.
- ▶ **Follow all charging instructions and do not charge the battery pack or tool outside the temperature range specified in the instructions.** Charging improperly or at temperatures outside the specified range may damage the battery and increase the risk of fire.

Service

- ▶ **Have your power tool serviced by a qualified repair person using only identical replacement parts.** This will ensure that the safety of the power tool is maintained.
- ▶ **Never service damaged battery packs.** Service of battery packs should only be performed by the manufacturer or authorized service providers.

Safety Warnings for Mitre Saws

- ▶ **Mitre saws are intended to cut wood or wood-like products, they cannot be used with abrasive cut-off wheels for cutting ferrous material such as bars, rods,**

studs, etc. Abrasive dust causes moving parts such as the lower guard to jam. Sparks from abrasive cutting will burn the lower guard, the kerf insert and other plastic parts.

- ▶ **Use clamps to support the workpiece whenever possible. If supporting the workpiece by hand, you must always keep your hand at least 100 mm from either side of the saw blade. Do not use this saw to cut pieces that are too small to be securely clamped or held by hand.** If your hand is placed too close to the saw blade, there is an increased risk of injury from blade contact.
- ▶ **The workpiece must be stationary and clamped or held against both the fence and the table. Do not feed the workpiece into the blade or cut “freehand” in any way.** Unrestrained or moving workpieces could be thrown at high speeds, causing injury.
- ▶ **Push the saw through the workpiece. Do not pull the saw through the workpiece. To make a cut, raise the saw head and pull it out over the workpiece without cutting, start the motor, press the saw head down and push the saw through the workpiece.** Cutting on the pull stroke is likely to cause the saw blade to climb on top of the workpiece and violently throw the blade assembly towards the operator.
- ▶ **Never cross your hand over the intended line of cutting either in front or behind the saw blade.** Supporting the workpiece “cross handed” i.e. holding the workpiece to the right of the saw blade with your left hand or vice versa is very dangerous.
- ▶ **Do not reach behind the fence with either hand closer than 100 mm from either side of the saw blade, to remove wood scraps, or for any other reason while the blade is spinning.** The proximity of the spinning saw blade to your hand may not be obvious and you may be seriously injured.
- ▶ **Inspect your workpiece before cutting. If the workpiece is bowed or warped, clamp it with the outside bowed face toward the fence. Always make certain that there is no gap between the workpiece, fence and table along the line of the cut.** Bent or warped workpieces can twist or shift and may cause binding on the spinning saw blade while cutting. There should be no nails or foreign objects in the workpiece.
- ▶ **Do not use the saw until the table is clear of all tools, wood scraps, etc., except for the workpiece.** Small debris or loose pieces of wood or other objects that contact the revolving blade can be thrown with high speed.
- ▶ **Cut only one workpiece at a time.** Stacked multiple workpieces cannot be adequately clamped or braced and may bind on the blade or shift during cutting.
- ▶ **Ensure the mitre saw is mounted or placed on a level, firm work surface before use.** A level and firm work surface reduces the risk of the mitre saw becoming unstable.
- ▶ **Plan your work. Every time you change the bevel or mitre angle setting, make sure the adjustable fence is set correctly to support the workpiece and will not interfere with the blade or the guarding system.** Without

turning the tool "ON" and with no workpiece on the table, move the saw blade through a complete simulated cut to assure there will be no interference or danger of cutting the fence.

- ▶ **Provide adequate support such as table extensions, saw horses, etc. for a workpiece that is wider or longer than the table top.** Workpieces longer or wider than the mitre saw table can tip if not securely supported. If the cut-off piece or workpiece tips, it can lift the lower guard or be thrown by the spinning blade.
- ▶ **Do not use another person as a substitute for a table extension or as additional support.** Unstable support for the workpiece can cause the blade to bind or the workpiece to shift during the cutting operation pulling you and the helper into the spinning blade.
- ▶ **The cut-off piece must not be jammed or pressed by any means against the spinning saw blade.** If confined, i.e. using length stops, the cut-off piece could get wedged against the blade and thrown violently.
- ▶ **Always use a clamp or a fixture designed to properly support round material such as rods or tubing.** Rods have a tendency to roll while being cut, causing the blade to "bite" and pull the work with your hand into the blade.
- ▶ **Let the blade reach full speed before contacting the workpiece.** This will reduce the risk of the workpiece being thrown.
- ▶ **If the workpiece or blade becomes jammed, turn the mitre saw off. Wait for all moving parts to stop and disconnect the plug from the power source and/or remove the battery pack. Then work to free the jammed material.** Continued sawing with a jammed workpiece could cause loss of control or damage to the mitre saw.
- ▶ **After finishing the cut, release the switch, hold the saw head down and wait for the blade to stop before removing the cut-off piece.** Reaching with your hand near the coasting blade is dangerous.
- ▶ **Hold the handle firmly when making an incomplete cut or when releasing the switch before the saw head is completely in the down position.** The braking action of the saw may cause the saw head to be suddenly pulled downward, causing a risk of injury.
- ▶ **Do not let go of the handle once the saw head has reached the lowest position. Always guide the saw head back to the top position by hand.** There is a risk of injury if the saw head moves in an uncontrolled manner.
- ▶ **Keep your work area clean.** Material mixtures are particularly hazardous. Light metal dust may catch fire or explode.
- ▶ **Do not use dull, cracked, bent or damaged saw blades. Unsharpened or improperly set saw blades produce narrow kerf causing excessive friction, blade binding and kickback.**
- ▶ **Do not use saw blades made from high speed steel (HSS).** Such saw blades can easily break.
- ▶ **Always use saw blades with correct size and shape (diamond versus round) of arbour holes.** Saw blades

that do not match the mounting hardware of the saw will run off-centre, causing loss of control.

- ▶ **Never remove cuttings, wood chips, etc. from the cutting area while the power tool is running.** Always guide the tool arm back to the neutral position first and then switch the power tool off.
- ▶ **Do not touch the saw blade after working before it has cooled.** The saw blade becomes very hot while working.
- ▶ **In case of damage and improper use of the battery, vapours may be emitted. The battery can set alight or explode.** Ensure the area is well ventilated and seek medical attention should you experience any adverse effects. The vapours may irritate the respiratory system.
- ▶ **Do not open the battery.** There is a risk of short-circuiting.
- ▶ **The battery can be damaged by pointed objects such as nails or screwdrivers or by force applied externally.** An internal short circuit may occur, causing the battery to burn, smoke, explode or overheat.
- ▶ **Only use the battery with products from the manufacturer.** This is the only way in which you can protect the battery against dangerous overload.



Protect the battery against heat, e.g. against continuous intense sunlight, fire, dirt, water and moisture. There is a risk of explosion and short-circuiting.



- ▶ **Never make warning signs on the machine unrecognisable.**
- ▶ **The power tool is delivered with a laser warning sign (see table: "Symbols and their meaning").**



Do not direct the laser beam at persons or animals and do not stare into the direct or reflected laser beam yourself. You could blind somebody, cause accidents or damage your eyes.

- ▶ **If laser radiation hits your eye, you must close your eyes and immediately turn your head away from the beam.**
- ▶ **Do not use any optical instruments such as binoculars to view the radiation source.** Doing so can damage your eye.
- ▶ **Do not direct the laser beam at persons who are looking through binoculars or similar instruments.** Doing so can damage their eye.
- ▶ **Do not make any modifications to the laser equipment.** The setting options described in these operating instructions can be used safely.
- ▶ **Do not use the laser goggles (accessory) as protective goggles.** The laser goggles make the laser beam easier to see; they do not protect you against laser radiation.
- ▶ **Do not use the laser goggles (accessory) as sunglasses or while driving.** The laser goggles do not provide full UV protection and impair your ability to see colours.

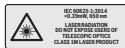
- ▶ **Warning!** If operating or adjustment devices other than those specified here are used or other procedures are carried out, this can lead to dangerous exposure to radiation.
- ▶ **Do not replace the integrated laser with a laser of another type.** A laser that is not compatible with this power tool could pose a risk to persons.
- ▶ **Caution!** When using the power tool with *Bluetooth*[®], a fault may occur in other devices and systems, aeroplanes and medical devices (e.g. pacemakers, hearing aids). Also, damage to people and animals in the immediate vicinity cannot be completely excluded. Do not use the power tool with *Bluetooth*[®] in the vicinity of medical devices, petrol stations, chemical plants, areas with a potentially explosive atmosphere or in blasting areas. Do not use the power tool with *Bluetooth*[®] in aircraft. Avoid using the product near your body for extended periods.

The *Bluetooth*[®] word mark and logos are registered trademarks owned by Bluetooth SIG, Inc. and any use of such marks by Robert Bosch Power Tools GmbH is under license.

Symbols

The following symbols may be important for the operation of your power tool. Please take note of these symbols and their meaning. Correctly interpreting the symbols will help you to operate the power tool more effectively and safely.

Symbols and their Meaning



Laser radiation
Do not view directly with telescopic optical probe
Laser class 1M



Keep hands away from the cutting area while the power tool is running. Contact with the saw blade can lead to injuries.



Wear a dust mask.



Wear safety goggles.



Wear hearing protection. Exposure to noise can cause hearing loss.

Symbols and their Meaning



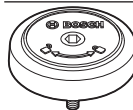
Danger area! Keep hands, fingers and arms away from this area.



Keep your fingers away from the moving parts of the glide arm. There is a risk of fingers being crushed and severely injured.



Take note of the dimensions of the saw blade. The hole diameter must fit the tool spindle without play. If it is necessary to use reducers, ensure that the dimensions of the reducer are suitable for the base blade thickness and the saw blade hole diameter, as well as the tool spindle diameter. Wherever possible, use the reducers provided with the saw blade. The saw blade diameter must match the information specified on the symbol.



Shows the rotational direction of the SDS bolt for tightening the saw blade (anti-clockwise) and for loosening the saw blade (clockwise).



When transporting the power tool, hold it only at the locations indicated (recessed handles) or by the transport handle.



Never carry the power tool using the handle of the glide arm.



For bevel angles, you need to adjust the left/right fence extension or completely remove it.



In combination with the ProCORE-18V rechargeable batteries, the new high-performance motor offers a comparable performance to that of the motors of corded power tools.



Clamping handle open:
Bevel angles can be adjusted.



Clamping handle closed:
The set bevel angle of the glide arm is locked.



Indicates the individual steps for adjusting the bevel angle.

1. Loosen the clamping handle
2. Swivel the glide arm slightly to the left

Symbols and their Meaning

3. Set the required bevel angle range using the rotary knob



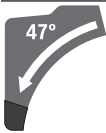
Setting the bevel angle ranges using the rotary knob:



Saw blade inclination to the left (45° to 0°)



Saw blade inclination to the right (0° to 45°)



Entire swivel range of the glide arm (-47° to +47°)

Product Description and Specifications



Read all the safety and general instructions.

Failure to observe the safety and general instructions may result in electric shock, fire and/or serious injury.

Please observe the illustrations at the beginning of this operating manual.

Intended Use

The power tool is intended as a stationary machine for making straight cuts in wood with and against the grain. It is possible to cut mitre angles of -52° to +60° and bevel angles of 47° (to the left) to 47° (to the right).

The power tool is designed with sufficient capacity for sawing hardwood and softwood as well as chipboard and fibre-board.

When using appropriate saw blades, sawing aluminium profiles and plastic is also possible.

With the *Bluetooth*® Low Energy Module **GCY 42** inserted, power tool data and settings can be transferred between the power tool and a mobile device by means of *Bluetooth*® wireless technology.

Product features

The numbering of the product features refers to the diagram of the power tool on the graphics page.

- (1) Handle
- (2) Lock-off function for on/off switch
- (3) User interface
- (4) Protective guard
- (5) Retracting blade guard
- (6) Adjustable fence
- (7) Fence
- (8) Saw table extension
- (9) Mounting holes
- (10) Insert plate
- (11) Locking clamp
- (12) Locking knob for various mitre angles
- (13) Mitre pre-setting lever
- (14) Clamping handle for various bevel angles
- (15) Detents for standard mitre angles
- (16) Recessed handles
- (17) Hex key (6 mm/4 mm)
- (18) Hex key (2 mm)
- (19) Screw clamp
- (20) Guide roller
- (21) Angle indicator for right-hand bevel angle range (0° to 47°)
- (22) Chip deflector
- (23) SDS bolt
- (24) Chip ejector
- (25) Glide mechanism clamping lever
- (26) Dust extraction adapter
- (27) Depth stop adjusting screw
- (28) Depth stop
- (29) Laser warning label
- (30) Laser protection cap
- (31) Cover for GCY 42 *Bluetooth*® Low Energy Module
- (32) Rechargeable battery^{a)}
- (33) Battery release button^{a)}
- (34) Glide arm
- (35) Transport safety lock
- (36) Scale for bevel angle
- (37) Angle indicator for left-hand bevel angle range (47° to 0°)
- (38) Adjustment knob for 22.5° bevel angle
- (39) Locking screw for length stop
- (40) Length stop
- (41) Scale for mitre angles
- (42) Saw table
- (43) Rotary knob for adjusting the bevel angle range
- (44) Saw blade
- (45) Laser beam outlet aperture
- (46) Battery charge indicator (user interface)
- (47) ECO mode indicator (user interface)
- (48) Speed preselection button (user interface)
- (49) Speed setting/mode indicator (user interface)
- (50) Smartphone indicator (user interface)
- (51) Power tool status indicator (user interface)
- (52) Temperature indicator (user interface)
- (53) Spindle lock

- (54) Hex socket screw for mounting the saw blade
- (55) Clamping flange
- (56) Inner clamping flange
- (57) Clamping lever of the saw table extension
- (58) Locking screw for the adjustable fence
- (59) Damper
- (60) Set screws for damping
- (61) Holes for screw clamp
- (62) Wing bolt
- (63) Threaded rod
- (64) Angle indicator for mitre angles
- (65) On/off switch
- (66) Screws for insert plate
- (67) Clamping screw for length stop
- (68) Set screws for positioning the laser (flush alignment)
- (69)/
(70)/
(71) Set screws for 0° basic setting (bevel angle)
- (72) Set screw for 45° basic setting (left-hand bevel angle)
- (73) Set screw for 45° basic setting (right-hand bevel angle)
- (74) Set screws for mitre angle scale
- (75) Screw for mitre angle indicator
- (76) Set screw for adjusting the clamping force of the clamping handle for any bevel angle

a) **Accessories shown or described are not included with the product as standard. You can find the complete selection of accessories in our accessories range.**

Technical Data

Sliding mitre saw	GCM 18V-305 GDC	
Article number	3 601 M43 0..	
Rated voltage	V=	18
No-load speed ^{A)}	min ⁻¹	3000–4000
No-load speed in ECO mode ^{A)}	min ⁻¹	2550
Laser type	nm	650
	mW	< 1
Laser class		1M
Divergence of laser line	mrad (full angle)	1.0
Weight according to EPTA-Procedure 01:2014 ^{B)}	kg	26.9–27.8
Recommended ambient temperature during charging	°C	0 to +35
Permitted ambient temperature during operation ^{C)} and during storage	°C	–20 to +50

Sliding mitre saw GCM 18V-305 GDC

Recommended rechargeable batteries	GBA 18V... ProCORE18V...	
Recommended chargers	GAL 18... GAX 18... GAL 36...	

Data transmission

Bluetooth [*]	Bluetooth [*] 4.2 (Low Energy) ^{D)}	
Signal interval	s	8
Max. signal range ^{E)}	m	30

Dimensions of suitable saw blades

Saw blade diameter	mm	305
Base blade thickness	mm	1.7–2.6
Max. cutting width	mm	3.2
Hole diameter	mm	30

A) Measured at 20–25 °C with rechargeable battery **ProCORE18V 8.0Ah**.

B) Depends on battery in use

C) Limited performance at temperatures <0 °C

D) The mobile terminal devices must be compatible with *Bluetooth* Low Energy devices (version 4.2) and support the Generic Access Profile (GAP).

E) The signal range may vary greatly depending on external conditions, including the receiving device used. The *Bluetooth*[®] range may be significantly weaker inside closed rooms and through metallic barriers (e.g. walls, shelving units, cases, etc.).

Permitted workpiece dimensions (maximum/minimum): (see "Permissible workpiece dimensions", page 28)

Noise Information

Noise emission values determined according to **EN 62841-3-9**.

Typically, the A-weighted noise level of the power tool is: Sound pressure level **93 dB(A)**; sound power level **106 dB(A)**. Uncertainty K = **3 dB**.

Wear hearing protection!

The noise emission value given in these instructions has been measured in accordance with a standardised measuring procedure and may be used to compare power tools. It may also be used for a preliminary estimation of noise emissions.

The noise emission value given represents the main applications of the power tool. However, if the power tool is used for other applications, with different application tools or is poorly maintained, the noise emission value may differ. This may significantly increase noise emissions over the total working period.

To estimate noise emissions accurately, the times when the tool is switched off, or when it is running but not actually being used, should also be taken into account. This may significantly reduce noise emissions over the total working period.

Assembly

- ▶ **Remove the battery from the power tool before carrying out work on the power tool (e.g. maintenance, changing tool, etc.). The battery should also be removed for transport and storage.** There is risk of injury from unintentionally pressing the on/off switch.

Items Included



See the list of items included at the start of the operating manual.

Check to ensure that all the parts listed below have been supplied before using the power tool for the first time:

- Sliding mitre saw with fitted saw blade (44)
- Locking knob (12)
- Hex key (17)
- Hex key (18)
- Screw clamp (19)
- SDS bolt (23)
- Dust bag

Note: Check the power tool for possible damage.

Before continuing to use the power tool, carefully check that all protective devices or slightly damaged parts are working perfectly and according to specifications. Check that the moving parts are working perfectly and without jamming; check whether any parts are damaged. All parts must be fitted correctly and all the conditions necessary to ensure smooth operation must be met.

If the protective devices or any parts become damaged, you must have them properly repaired or replaced by an authorised service centre.

Extra tools required (not included in the delivery):

- Cross-headed screwdriver
- Open-ended spanner (size: 8 mm)
- Ring spanner, open-ended spanner or socket spanner (sizes: 10 mm and 17 mm)

Activating the *Bluetooth*® Low Energy Module GCY 42

Read the corresponding operating instructions for information about the *Bluetooth*® Low Energy Module GCY 42.

Activating the Button Cell

- Remove the cover for the *Bluetooth*® Low Energy Module GCY 42 (31).
- Remove the insulation between the button cell and the *Bluetooth*® Low Energy Module GCY 42.
- Close the cover (31) to prevent dirt from getting in.
- ▶ **Remove the cover for the *Bluetooth*® Low Energy Module GCY 42 on the power tool, e.g. using a screwdriver or a large coin.** Using unsuitable objects can damage the electronics or the cover.

Battery Charging

- ▶ **Use only the chargers listed in the technical data.** Only these chargers are matched to the lithium-ion battery of your power tool.

Note: The battery is supplied partially charged. To ensure full battery capacity, fully charge the battery in the charger before using your power tool for the first time.

The lithium-ion battery can be charged at any time without reducing its service life. Interrupting the charging process does not damage the battery.

The lithium-ion battery is protected against deep discharge by the "Electronic Cell Protection (ECP)". When the battery is discharged, the power tool is switched off by means of a protective circuit: The application tool no longer rotates.

- ▶ **Do not continue to press the On/Off switch after the power tool has automatically switched off.** The battery can be damaged.

Follow the instructions on correct disposal.



Removing the Battery

The battery (32) is equipped with two locking levels to prevent the battery from falling out if the battery release button (33) is pressed unintentionally. The battery is held in place by a spring when fitted in the power tool.

To remove the battery, press the release button and pull the battery out of the power tool. **Do not use force to do this.**

Battery charge indicator

The green LEDs on the battery charge indicator indicate the state of charge of the battery. For safety reasons, it is only possible to check the state of charge when the power tool is not in operation.

Press the button for the battery charge indicator  or  to show the state of charge. This is also possible when the battery is removed.

If no LED lights up after pressing the button for the battery charge indicator, then the battery is defective and must be replaced.

Note: The state of charge of the battery is also displayed on the user interface (3).

Battery model GBA 18V...



LEDs	Capacity
3× continuous green light	60–100 %
2× continuous green light	30–60 %
1× continuous green light	5–30 %
1× flashing green light	0–5 %

Battery model ProCORE18V...



LEDs	Capacity
5× continuous green light	80–100 %
4× continuous green light	60–80 %
3× continuous green light	40–60 %
2× continuous green light	20–40 %
1× continuous green light	5–20 %
1× flashing green light	0–5 %

Fitting individual components

- Carefully remove all parts included in the delivery from their packaging.
- Remove all packing material from the power tool and the accessories provided.

Fitting the locking knob (see figure a)

- Screw the locking knob (12) into the corresponding hole above the lever (13).
- ▶ **Always tighten the locking knob (12) firmly before sawing.** Otherwise the saw blade can become wedged in the workpiece.

Stationary or flexible mounting

- ▶ **To ensure safe handling, the power tool must be mounted on a flat, stable work surface (e.g. work bench) before use.**

Mounting on a work surface (see figure b1)

- Use suitable screw fasteners to secure the power tool to the work surface. The holes (9) are used for this purpose.

or

- Firmly clamp the base of the power tool to the work surface with commercially available screw clamps.

Mounting on a Bosch saw stand (see figure b2)

(GTA 2500 W, GTA 2500 Compact, GTA 2600, GTA 3800)

With the height-adjustable legs, Bosch GTA saw stands provide firm support for the power tool on any surface. The workpiece supports of the saw stand are used for underlaying long workpieces.

- ▶ **Read all the warnings and instructions included with the saw stand.** Failure to observe the warnings and follow instructions may result in electric shock, fire and/or serious injury.
- ▶ **Assemble the saw stand properly before mounting the power tool.** Correct assembly is important to prevent the risk of collapsing.
- Mount the power tool on the saw stand in the transport position.

Dust/Chip Extraction

The dust from materials such as lead paint, some types of wood, minerals and metal can be harmful to human health. Touching or breathing in this dust can trigger allergic reactions and/or cause respiratory illnesses in the user or in people in the near vicinity.

Certain dusts, such as oak or beech dust, are classified as carcinogenic, especially in conjunction with wood treatment additives (chromate, wood preservative). Materials containing asbestos may only be machined by specialists.

- Use a dust extraction system that is suitable for the material wherever possible.
 - Provide good ventilation at the workplace.
 - It is advisable to wear a P2 filter class breathing mask.
- The regulations on the material being machined that apply in the country of use must be observed.

- ▶ **Avoid dust accumulation at the workplace.** Dust can easily ignite.

The dust/chip extraction system can be blocked by dust, chips or fragments of the workpiece.

- Switch the power tool off and remove the battery.
- Wait until the saw blade has come to a complete stop.
- Determine the cause of the blockage and eliminate it.

External Dust Extraction

You can also attach a dust extraction hose (35 mm diameter) to the extraction adapter (26) for extraction.

- Connect the dust extraction hose to the extraction adapter (26).

The dust extractor must be suitable for the material being worked.

When extracting dry dust that is especially detrimental to health or carcinogenic, use a special dust extractor.

Cleaning the dust extraction adapter

To ensure optimum extraction, the dust extraction adapter (26) must be cleaned regularly.

- Pull the dust extraction adapter (26) off the chip ejector (24) with a twisting motion.
- Remove workpiece fragments and chippings.
- Reattach the dust extraction adapter to the chip ejector with a twisting motion until it engages above the chip ejector holding ring.

Changing the Saw Blade

- ▶ **Remove the battery from the power tool before carrying out work on the power tool (e.g. maintenance, changing tool, etc.). The battery should also be removed for transport and storage.** There is risk of injury from unintentionally pressing the on/off switch.
- ▶ **Wear protective gloves when fitting the saw blade.** There is a risk of injury when touching the saw blade.

Only use saw blades that have a maximum permitted speed higher than the no-load speed of the power tool.

Only use saw blades that match the specifications given in this operating manual and that have been tested and marked in accordance with EN 847-1.

Only use saw blades that are recommended by the power tool manufacturer and are suitable for use on the material you want to saw. This will prevent the saw teeth overheating when sawing.

Assembly with hex socket screw (see figures c1–c4)

Removing the Saw Blade

- Bring the power tool into the work position.
- Swivel the retracting blade guard (5) to the back and hold it in this position.
- Turn the hex socket screw (54) with the hex key (4 mm) (17) and at the same time push the spindle lock (53) until it engages.
- Keep holding the spindle lock (53) and loosen the hex socket screw (54) by turning it clockwise (left-hand thread).
- Remove the clamping flange (55).
- Remove the saw blade (44).
- Slowly push the retracting blade guard back down.

Fitting the saw blade

- ▶ **When fitting the saw blade, make sure that the cutting direction of the teeth (arrow direction on the saw blade) matches the direction of the arrow on the protective guard.**

If required, clean all the parts you want to fit before installing them.

- Swivel the retracting blade guard (5) to the back and hold it in this position.
- Place the new saw blade on the inner clamping flange (56).
- Fit the clamping flange (55) and the hex socket screw (54). Press the spindle lock (53) until it engages and tighten the hex socket screw by turning it anticlockwise.
- Slowly push the retracting blade guard back down.

Assembly with SDS bolt (see figure d)

- ▶ **For bevel cuts when using the SDS bolt (23), before sawing, first make sure that the SDS bolt cannot come into contact with the surface of the workpiece at any time by making a suitable adjustment to the depth stop (28).** This prevents damage to the SDS bolt and/or the workpiece.

Removing the saw blade

- Bring the power tool into the work position.
- Swivel the retracting blade guard (5) to the back and hold it in this position.
- Turn the SDS bolt (23) while pressing the spindle lock (53) until it engages.
- Press and hold the spindle lock (53) and unscrew the SDS bolt (23) by turning it clockwise (left-hand thread).
- Remove the clamping flange (55).
- Remove the saw blade (44).

- Slowly push the retracting blade guard back down.

Fitting the saw blade

- ▶ **When fitting the saw blade, make sure that the cutting direction of the teeth (arrow direction on the saw blade) matches the direction of the arrow on the protective guard.**

If required, clean all the parts you want to fit before installing them.

- Swivel the retracting blade guard (5) to the back and hold it in this position.
- Place the new saw blade on the inner clamping flange (56).
- Attach the clamping flange (55) and the SDS bolt (23). Press the spindle lock (53) until it engages and tighten the SDS bolt by turning it anticlockwise.
- Slowly push the retracting blade guard back down.

Operation

- ▶ **Remove the battery from the power tool before carrying out work on the power tool (e.g. maintenance, changing tool, etc.). The battery should also be removed for transport and storage.** There is risk of injury from unintentionally pressing the on/off switch.

Transport Safety Lock (see figure A)

The transport safety lock (35) makes it easier to handle the power tool when transporting it to various working locations.

Unlocking the Power Tool (Work Position)

- Press the glide arm (34) down slightly by the handle (1) to release the transport safety lock (35).
- Pull the transport safety lock (35) all the way out.
- Slowly guide the glide arm (34) upwards.

Locking the Power Tool (Transport Position)

- Slide the glide arm (34) all the way back and secure it in this position.
- Guide the glide arm downwards until you can press the transport safety lock (35) all the way in.

Further information: (see "Transport (see figure Z)", page 30)

Locking the Glide Arm

The glide mechanism of the glide arm (34) can be locked with the clamping lever (25). The glide arm can be placed in two positions:

- Glide arm pushed all the way back (for cross cuts)
- Glide arm pulled all the way forward (for a compact transport position)

Unlocking the Glide Arm (see figure B1)

After unlocking the glide arm (34), the whole gliding mechanism is ready for operation.

- Press the clamping lever (25) all the way down.
- The clamping wedge of the clamping lever releases the two articulated parts at the bottom of the glide arm.

Securing the Glide Arm (see figure B2)

Glide arm pushed all the way back:

- Push the glide arm (34) all the way back.
- The two articulated parts at the top of the glide arm are now upright and closed.
- Pull the clamping lever (25) upwards until the clamping wedge is positioned between the two articulated parts at the bottom of the glide arm.
- This locks the glide arm (34), which is pushed all the way back.

Glide arm pulled all the way forward:

- Pull the glide arm (34) all the way forward.
- The glide mechanism is now completely extended.
- Pull the clamping lever (25) upwards until the clamping wedge is positioned between the two articulated parts at the bottom of the glide arm.

When sawing mitre and/or bevel angles, you have to pull the left-hand or right-hand adjustable fence (6) outwards depending on the cutting direction, or remove it completely.

Bevel angle	Mitre angle	
0°–47° (left)	≤ 44° (right/left)	<ul style="list-style-type: none"> – Loosen the locking screw (58). – Pull the left-hand adjustable fence (6) all the way out.
0°–47° (left)	≥ 45° (right/left)	<ul style="list-style-type: none"> – Loosen the locking screw (58). – Pull the left-hand adjustable fence (6) all the way out. – Lift the adjustable fence upwards and out of the way. – Remove the locking screw (58).
0°–47° (right)	≤ 44° (right/left)	<ul style="list-style-type: none"> – Loosen the locking screw (58). – Pull the right-hand adjustable fence (6) all the way out.
0°–47° (right)	≥ 45° (right/left)	<ul style="list-style-type: none"> – Lift the adjustable fence upwards and out of the way.

Adjusting the damping of the glide arm (see figure F)

The glide mechanism of the glide arm (34) is preset at the factory and is not damped when the power tool is delivered. The damping of the glide mechanism can be adjusted using the damper (59):

Hard – for more controlled work movements;

Soft – for fast saw cuts.

- For **softer** damping, loosen the two set screws (60) using the hex key (4 mm) (17)
- or
- tighten the two set screws (60) for **harder** damping.

Clamping the workpiece (see figure G)

To ensure maximum safety while working, the workpiece must always be firmly clamped.

Do not saw workpieces that are too small to clamp firmly.

- Press the workpiece firmly against the fences (7) and (6).
- Insert the supplied screw clamp (19) into one of the corresponding holes (61).
- Loosen the wing bolt (61) and adjust the screw clamp to the workpiece. Tighten the wing bolt again.
- Tighten the threaded rod (63) to fix the workpiece in place.

- This locks the glide arm (34), which is pulled all the way forward.

Preparing for operation**Extending the Saw Table (see figure C)**

The free end of long workpieces must have something placed underneath it or be supported.

The saw table can be extended left and right using the saw table extensions (8).

- Push the clamping lever (57) inwards.
- Pull out the saw table extension (8) to the required length (maximum 250 mm).
- To lock the saw table extension in place, push the clamping lever (57) back out.

Moving the fence (see figures D–E)**Releasing the workpiece**

- To loosen the screw clamp, turn the threaded rod (63) anticlockwise.

Adjusting the Mitre Angle**Setting Standard Mitre Angles (see figure H)**

For quick and precise setting of commonly used mitre angles, detents (15) are provided on the saw table:

Leftward	Rightward
0°	
45°; 31.6°; 22.5°; 15°	15°; 22.5°; 31.6°; 45°; 60°

- Loosen the locking knob (12) if it is tightened.
- Pull the lever (13) and rotate the saw table (42) left or right to the required detent.
- Release the lever again. The lever must be felt to engage in the detent.
- Retighten the locking knob (12).

Setting Any Mitre Angle (see figure I)

The mitre angle can be set between 52° (left side) and 60° (right side).

- Loosen the locking knob (12) if it is tightened.

- Pull the lever (13) and at the same time press the locking clamp (11) until this clicks into the slot provided for it. This means the saw table can now move freely.
- Turn the saw table (42) left or right by the locking knob until the angle indicator (64) shows the required mitre angle.
- Retighten the locking knob (12).
- To loosen the lever (13) again (for setting standard mitre angles), pull the lever upwards. The locking clamp (11) springs back into its original position and the lever (13) can click back into the detents (15).

Adjusting Bevel Angles

The bevel angle can be set between 47° (left side) and 47° (right side).

For quick and precise setting of frequently used bevel angles, stops have been provided for the angles 0°, 22.5°, 45° and 47°.

Setting the Left-hand Bevel Angle range (45° to 0°)

L

- Pull the left-hand adjustable fence (6) all the way out.
- Loosen the clamping handle (14).
- Use the handle (1) to swivel the glide arm (34) to the left until the angle indicator (37) shows the required bevel angle.
- Hold the glide arm (34) in this position and retighten the clamping handle (14).
The clamping force of the clamping handle must hold the glide arm securely in place at any bevel angle.

Setting the Right-hand Bevel Angle Range (0° to 45°) (see figure J)

45° R

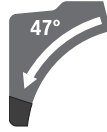
- Pull the right-hand adjustable fence (6) all the way out.
- Loosen the clamping handle (14).
- Use the handle (1) to tilt the glide arm (34) slightly to the left from the 0° position and turn the rotary knob (43) until the required bevel angle range is shown.
- Use the handle (1) to swivel the glide arm (34) to the right until the angle indicator (21) shows the required bevel angle.
- Hold the glide arm (34) in this position and retighten the clamping handle (14).
The clamping force of the clamping handle must hold the glide arm securely in place at any bevel angle.

Setting the Standard 0° bevel angle

To enable the standard 0° bevel angle to be reset easily, the rotary knob (43) engages in the left-hand bevel angle range.

- Swivel the glide arm (34) from the right to the 0° position.

Setting the entire bevel angle range (–47° to +47°)



- Pull both adjustable fences (6) all the way out.
- Loosen the clamping handle (14).
- Use the handle (1) to tilt the glide arm (34) slightly to the left from the 0° position and turn the rotary knob (43) until the required bevel angle range is shown.
- Use the handle (1) to swivel the glide arm (34) to the left or right until the angle indicator (37) or (21) shows the required bevel angle.
- Hold the glide arm (34) in this position and retighten the clamping handle (14).
The clamping force of the clamping handle must hold the glide arm securely in place at any bevel angle.

Setting the Standard 22.5° Bevel Angle (see figure K)

Pull the adjustment knob (38) all the way out and turn it 90°. Then use the handle (1) to swivel the glide arm (34) until you hear the glide arm engage.

Setting mitre and bevel angles

Start-up

Inserting the Battery

► Use only original Bosch lithium-ion batteries with the voltage stated on the type plate of your power tool.

Using other batteries can lead to injuries and pose a fire hazard.

- Push the charged battery (32) into the battery bay of the power tool until the battery is securely locked.

Switching on (see figure L)

- To **switch on** the power tool, **first** slide the lock-off button (2) to the middle and **then** press and hold the on/off switch (65).

Note: For safety reasons, the on/off switch (65) cannot be locked; it must remain pressed during the entire operation.

Switching off

- To **switch off**, release the on/off switch (65).

ECO mode

If the power tool is operated in the energy-saving ECO mode, the battery life may be up to 20% longer.

If the ECO mode is active, the symbol **E** is shown on the speed setting/mode indicator (49). In addition, the ECO mode indicator (47) lights up.

User interface

The user interface (3) is used to preselect the speed and to indicate the status of the power tool.

Speed preselection

An ECO mode and three speed settings are preset.

You can use the button for speed preselection (48) to preselect the required speed, even during operation.

Speed setting	Speed [min ⁻¹]
Eco	2550

Speed setting	Speed [min ⁻¹]
1	3000
2	3500
3	4000

Status indications

Battery charge indicator (user interface) (46)	Meaning/cause	Solution
Green (2 to 5 bars)	Battery charged	–
Yellow (1 bar)	Battery almost empty	Replace or charge battery soon
Red (1 bar)	Battery empty	Replace or charge battery

Temperature indicator (52)	Meaning/cause	Solution
Yellow	Critical temperature has been reached (motor, electronics, battery)	Run the power tool at no load and allow it to cool down
Red	Power tool is overheated and will switch off	Leave the power tool to cool down

Smartphone indicator (50) and Power tool status indicator (51)	Meaning/cause	Solution
Yellow	Service reminder	For more information see Bosch Toolbox App or Service

Power tool status indicator (51)	Meaning/cause	Solution
Green	Status OK	–
Yellow	Critical temperature has been reached or battery is almost empty	Run the power tool at no load and allow it to cool down, or replace or charge the battery soon
Red	Power tool is overheated or battery is empty	Allow the power tool to cool down, or replace or charge the battery
Flashing red	Restart protection is triggered	Turn the power tool off and on again; if necessary, remove the battery and reinsert it.

Connectivity functions

In conjunction with the GCY 42 *Bluetooth*® Low Energy Module, the following connectivity functions are available for the power tool:

- Registration and personalisation
- Status check, output of warning messages
- General information and settings
- Management
- Setting the speed levels

Read the corresponding operating instructions for information about the *Bluetooth*® Low Energy Module **GCY 42**.

The smartphone indicator (50) lights up when the power tool sends information (e. g. temperature warning) to a mobile device via *Bluetooth*® wireless technology.

Practical advice

General sawing instructions

- ▶ **Always tighten the locking knob (12) and the clamping handle (14) firmly before sawing.** Otherwise the saw blade can become wedged in the workpiece.
- ▶ **Always tighten the locking knob (12) and the clamping lever firmly before sawing.** Otherwise the saw blade can become wedged in the workpiece.
- ▶ **For all cuts, it must first be ensured that the saw blade at no time can come in contact with the fence, screw clamps or other machine parts. Remove any mounted auxiliary stops or adjust them accordingly.**
- ▶ **With the *Bluetooth*® Low Energy Module GCY 42, the power tool is equipped with a radio interface. Local operating restrictions, e.g. in aircraft or hospitals, must be observed.**

► **In areas where the Bluetooth® wireless technology is not allowed to be used, the Bluetooth® Low Energy Module GCY 42 and the button cell must be removed.**

The free end of long and heavy workpieces must have something placed underneath it or be supported.

Do not saw warped/bent workpieces. The workpiece must always have a straight edge to face against the fence.

Only saw materials which are permitted within the scope of the intended use.

Protect the saw blade against impact and shock. Do not subject the saw blade to lateral pressure.

Make sure that the retracting blade guard operates properly and that it can move freely. The retracting blade guard must open when the tool arm is guided downwards. When the tool arm is guided upwards, the retracting blade guard must close again over the saw blade and lock in the uppermost position of the tool arm.

Marking the Cutting Line (see figure M)

Two laser beams indicate the cutting line of the saw blade. This allows for exact positioning of the workpiece for sawing, without having to open the retracting blade guard.

- To do this, switch on the laser beams by briefly pressing the on/off switch (65) without pressing the lock-off button (2).
- Position your mark on the workpiece between the two laser lines.

Note: Before sawing, check if the cutting line is still indicated correctly (see "Adjusting the laser", page 29). Vibrations during intensive use, for example, can cause the laser beams to become misaligned.

Position of the operator (see figure N)

- **Do not stand in line with the saw blade in front of the power tool. Always stand to the side of the saw blade.** This protects your body against possible kickback.
- Keep hands, fingers and arms away from the rotating saw blade.
- Do not reach one hand across the other when in front of the tool arm.

Replacing insert plates (see figure O)

The insert plates (10) can become worn after prolonged use of the power tool.

Replace faulty insert plates.

- Bring the power tool into the work position.
- Loosen the screws (66) using the hex key (18) and remove the old insert plates.
- Insert the new right-hand insert plate.
- Screw the insert plate as far as possible to the right with the screws (66) so that the saw blade does not come into contact with the insert plate over the entire length of the possible slide motion.
- Repeat the work steps in the same manner for the new left-hand insert plate.

Permissible workpiece dimensions

Mitre angle	Bevel angle	Height x width [mm]
0°	0°	104 x 341 45 x 400 ^{A)} 120 x 200 ^{B)} 180 x 40
45° (left)	0°	104 x 240 180 x 20
0°	45° (left)	60 x 341
0°	45° (right)	40 x 341
45°	45° (left)	60 x 240
45°	45° (right)	40 x 240

A) With horizontal spacer (height x width: 60 mm x 400 mm)

B) With vertical spacer (height x width: 72 mm x 50 mm)

Minimum workpiece dimensions (= all workpieces that can be secured left or right of the saw blade using the supplied screw clamp (19)): 160 mm x 35 mm (length x width)

Maximum cutting depth (0°/0°): 120 mm

Sawing

Sawing without slide movement (cutting off) (see figure P)

- Slide the glide arm (34) all the way back and secure it in this position.
Make sure that the depth stop (28) is pressed all the way in and that the adjusting screw (27) fits through the recess without touching the depth stop when moving the glide arm.
- Firmly clamp the workpiece as appropriate for its dimensions.
- Set the required mitre and/or bevel angle as necessary.
- Switch on the power tool.
- Slowly guide the glide arm (34) downwards using the handle (1).
- Saw through the workpiece applying uniform feed.
- Switch off the power tool and wait until the saw blade has come to a complete stop.
- Slowly guide the glide arm (34) upwards.

Sawing with Slide Movement (see figure Q)

- **Maintain a firm grip on the handle before switching the power tool on and during the entire sawing process. Ensure that the movement of the glide arm is controlled during sawing.** The glide arm is very easy to move and a moment of inattention could result in serious injury.
- Unlock the glide arm (34).
Check if the complete glide mechanism is operative by sliding the glide arm (34) back and forth.
- Firmly clamp the workpiece as appropriate for its dimensions.
- Set the required mitre and/or bevel angle as necessary.

- Pull the glide arm (34) away from the fence (7) by the handle (1) until the saw blade is in front of the workpiece.
- Switch on the power tool.
- Slowly guide the glide arm (34) downwards using the handle (1).
- Now push the glide arm (34) towards the fence (7) and saw through the workpiece with uniform feed.
- Switch off the power tool and wait until the saw blade has come to a complete stop.
- Slowly guide the glide arm (34) upwards.

Sawing workpieces of the same length (see figure R)

The length stop (40) (accessory) can be used for easily sawing workpieces of the same length.

The length stop can be mounted on either side of the saw table extension (8).

- Loosen the locking screw (39) and move the length stop (40) over the clamping screw (67).
- Re-tighten the locking screw (39).
- Set the saw table extension (8) to the required length.

Adjusting the Depth Stop (Sawing the Groove) (see figure S)

The depth stop needs to be adjusted if you wish to saw a groove or use a spacer.

- Swivel the depth stop (28) outwards.
- Use the handle (1) to swivel the glide arm (34) into the required position.
- Turn the adjusting screw (27) until the end of the screw touches the depth stop (28).
- Slowly guide the glide arm (34) upwards.


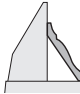
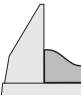

Special workpieces

When sawing curved or round workpieces, these must be especially secured against slipping. At the cutting line, there should be no gap between the workpiece, fence and saw table.

If necessary, you will need to manufacture special fixtures.

Working on mouldings

Mouldings can be sawn in two different ways:

Positioning of workpiece	Base moulding	Crown moulding
– Placed against the fence		
– Lying flat on the saw table		

Furthermore, you can cut with or without the slide movement depending on the width of the moulding.

Always check the set mitre and/or bevel angle first by making trial cuts in scrap wood.

Checking and Adjusting the Basic Settings

To ensure precise cuts, the basic settings of the power tool must be checked and adjusted as necessary after intensive use.

Experience and suitable special tools are required for this.

A Bosch after-sales service point will handle this work quickly and reliably.

Adjusting the laser

Note: To test the laser function, the power tool must be connected to the power supply.

► **While adjusting the laser (e.g. when moving the tool arm), never activate the on/off switch.** Starting the power tool accidentally can lead to injuries.

- Bring the power tool into the work position.
- Turn the saw table (42) to the 0° detent (15). The lever (13) must be felt to engage in the detent.

Checking (see figure T1)

- Draw a straight cutting line on the workpiece.
- Slowly guide the glide arm (34) downwards using the handle (1).
- Position the workpiece so that the teeth of the saw blade line up with the cutting line.
- Hold the workpiece in this position and slowly guide the glide arm upwards.
- Clamp the workpiece.
- Switch on the laser beams with the switch.

The laser beams must be the same distance away (left and right) from the cutting line marked on the workpiece along their entire length, even when lowering the glide arm.

Setting (see figure T2)

1. Adjusting the right-hand laser beam:

- Turn the right-hand set screw (68) using the hex key (18) until the entire length of the right-hand laser beam is flush with the cutting line marked on the workpiece.
- This also moves the left-hand laser beam.

One rotation anticlockwise moves the laser beam from left to right; one rotation clockwise moves the laser beam from right to left.

2. Adjusting the left-hand laser beam:

- Turn the left-hand set screw (68) using the hex key (18) until the left-hand laser beam is the same distance away from the cutting line marked on the workpiece as the right-hand laser beam.

One rotation anticlockwise moves the laser beam from left to right; one rotation clockwise moves the laser beam from right to left.

Setting the Standard 0° Bevel Angle

- Bring the power tool into the transport position.
- Turn the saw table (42) to the 0° detent (15). The lever (13) must be felt to engage in the detent.

Checking (see figure U1)

- Set an angle gauge to 90° and place it on the saw table (42).

The leg of the angle gauge must be flush with the saw blade **(44)** along its entire length.

Setting (see figure U2)

- Loosen the clamping handle **(14)**.
- Loosen the two set screws **(69)** (by at least one turn) using a socket spanner (10 mm).
- Loosen the set screw **(71)** (by approx. three turns) using the hex key (4 mm) **(17)**.
- Tighten or loosen the set screw **(70)** using the hex key (4 mm) **(17)** until the leg of the angle gauge is flush with the saw blade along its entire length.
- Retighten the clamping handle **(14)**. Then tighten the set screw **(71)** followed by the set screws **(69)**.

If the angle indicators **(37)** and **(21)** are not in line with the 0° marks on the scale **(36)** following adjustment, loosen the fastening screws on the angle indicators using a cross-headed screwdriver and align the angle indicators with the 0° marks.

Setting the Standard 45° Mitre Angle (left)

- Bring the power tool into the work position.
- Turn the saw table **(42)** to the 0° detent **(15)**. The lever **(13)** must be felt to engage in the detent.
- Pull the left-hand adjustable fence **(6)** all the way out.
- Loosen the clamping handle **(14)** and swivel the glide arm to the left stop (45°) by the handle **(1)**.

Checking (see figure V1)

- Set an angle gauge to 45° and place it on the saw table **(42)**.

The leg of the angle gauge must be flush with the saw blade **(44)** along its entire length.

Setting (see figure V2)

- Tighten or loosen the set screw **(72)** using an open-ended spanner (8 mm) until the leg of the angle gauge is flush with the saw blade along its entire length.
- Retighten the clamping handle **(14)**.

If the angle indicators **(37)** and **(21)** are not in line with the 45° marks on the scale **(36)** following adjustment, first check the 0° setting for the bevel angle and the angle indicators once more. Then repeat the adjustment of the 45° bevel angle.

Setting the Standard 45° Mitre Angle (right)

- Bring the power tool into the work position.
- Turn the saw table **(42)** to the 0° detent **(15)**. The lever **(13)** must be felt to engage in the detent.
- Pull the right-hand adjustable fence **(6)** all the way out.
- Loosen the clamping handle **(14)**.
- Use the handle **(1)** to tilt the glide arm slightly to the left from the 0° position and turn the rotary knob **(43)** until the right-hand bevel angle range is shown.
- Swivel the glide arm to the right stop (45°) by the handle **(1)**.

45°R

Checking (see figure W1)

- Set an angle gauge to 135° and place it on the saw table **(42)**.

The leg of the angle gauge must be flush with the saw blade **(44)** along its entire length.

Setting (see figure W2)

- Tighten or loosen the set screw **(73)** using an open-ended spanner (8 mm) until the leg of the angle gauge is flush with the saw blade along its entire length.
- Retighten the clamping handle **(14)**.

If the angle indicators **(37)** and **(21)** are not in line with the 45° marks on the scale **(36)** following adjustment, first check the 0° setting for the bevel angle and the angle indicators once more. Then repeat the adjustment of the 45° bevel angle.

Aligning the scale for mitre angles

- Bring the power tool into the work position.
- Turn the saw table **(42)** to the 0° detent **(15)**. The lever **(13)** must be felt to engage in the detent.

Checking (see figure X1)

- Set an angle gauge to 90° and position it between the fence **(7)** and the saw blade **(44)** on the saw table **(42)**.

The leg of the angle gauge must be flush with the saw blade **(44)** along its entire length.

Setting (see figure X2)

- Loosen all four set screws **(74)** using the hex key (4 mm) **(17)** and turn the saw table **(42)** together with the scale **(41)** until the leg of the angle gauge is flush with the saw blade along its entire length.
- Re-tighten the screws again.

If the angle indicator **(64)** is not aligned with the 0° mark on the scale **(41)** following adjustment, loosen the screw **(75)** using a cross-headed screwdriver and align the angle indicator along the 0° mark.

Adjusting the Clamping Force of the Clamping Handle **(14)** (see figure Y)

The clamping force of the clamping handle **(14)** can be adjusted.

Checking

- The clamping force of the clamping handle must hold the glide arm securely in place at any bevel angle.

Setting

- Loosen the clamping handle **(14)**.
- Use a socket spanner (17 mm) to turn the set screw **(76)** anticlockwise to reduce the clamping force or clockwise to increase the clamping force.
- Set a bevel angle, retighten the clamping handle **(14)** and check whether the required clamping force has been reached.

Transport (see figure Z)

Before transporting the power tool, the following steps must be carried out:

- Slide the glide arm **(34)** all the way back and secure it in this position.

- Make sure that the depth stop **(28)** is pressed all the way in and that the adjusting screw **(27)** fits through the recess without touching the depth stop when moving the glide arm.
 - Guide the glide arm downwards until you can press the transport safety lock **(35)** all the way in
 - Slide the saw table extensions **(8)** all the way in.
 - Set the bevel angle to 0° and tighten the clamping handle **(14)**.
 - Turn the saw table **(42)** as far as possible to the left and tighten the locking knob **(12)**.
 - Remove all accessories that cannot be securely fitted to the power tool.
 - If possible, transport unused saw blades in an enclosed container.
 - For transport, hold the power tool by the recessed handles **(16)** on either side of the saw table.
- **When transporting the power tool, only use the transport fixtures. Never carry the power tool by the protective devices, the glide arm or the handle.**

Maintenance and servicing

Maintenance and Cleaning

- **Remove the battery from the power tool before carrying out work on the power tool (e.g. maintenance, changing tool, etc.). The battery should also be removed for transport and storage.** There is risk of injury from unintentionally pressing the on/off switch.
- **To ensure safe and efficient operation, always keep the power tool and the ventilation slots clean.**

The retracting blade guard must always be able to move freely and retract automatically. It is therefore important to keep the area around the retracting blade guard clean at all times.

Always remove dust and chips after working by blowing out with compressed air or using a brush.

Clean the guide roller **(20)** regularly.

Accessories

	Article number
Dust bag	1 609 B05 010
GTA 2500 W saw stand	0 601 B12 100
GTA 2500 Compact saw stand	0 601 B12 400
GTA 2600 saw stand	0 601 B12 300
GTA 3800 saw stand	0 601 B24 000
3 601 M43 000: Saw blades for wood and fibreboard, panels and strips	
Standard for Wood 305 x 2.2/1.6 x 30 mm, 40 teeth	2 608 837 741
Standard for Wood 305 x 2.2/1.6 x 30 mm, 60 teeth	2 608 837 742

	Article number
Standard for Wood 305 x 2.2/1.6 x 30 mm, 96 teeth	2 608 837 744
Expert for Wood 305 x 2.2/1.6 x 30 mm, 42 teeth	2 608 644 527
Expert for Wood 305 x 2.2/1.6 x 30 mm, 60 teeth	2 608 644 528
Expert for Wood 305 x 2.2/1.6 x 30 mm, 96 teeth	2 608 644 529
3 601 M43 000: Saw blades for aluminium	
Standard for Aluminium 305 x 2.4/1.8 x 30 mm, 96 teeth	2 608 837 782
Expert for Aluminium 305 x 2.4/1.8 x 30 mm, 96 teeth	2 608 644 547
3 601 M43 000: Saw blades for fibre-cement plates	
Expert for Fibre Cement 305 x 2.2/1.6 x 30 mm, 8 teeth	2 608 644 559

After-Sales Service and Application Service

Our after-sales service responds to your questions concerning maintenance and repair of your product as well as spare parts. You can find explosion drawings and information on spare parts at: www.bosch-pt.com

The Bosch product use advice team will be happy to help you with any questions about our products and their accessories.

In all correspondence and spare parts orders, please always include the 10-digit article number given on the nameplate of the product.

Malaysia

Robert Bosch Sdn. Bhd.(220975-V) PT/SMY
No. 8A, Jalan 13/6
46200 Petaling Jaya
Selangor
Tel.: (03) 79663194
Toll-Free: 1800 880188
Fax: (03) 79583838
E-Mail: kiathoe.chong@my.bosch.com
www.bosch-pt.com.my

You can find further service addresses at:

www.bosch-pt.com/serviceaddresses

Transport

The contained lithium-ion batteries are subject to the Dangerous Goods Legislation requirements. The batteries are suitable for road-transport by the user without further restrictions.

When shipping by third parties (e.g.: by air transport or forwarding agency), special requirements on packaging and labelling must be observed. For preparation of the item being shipped, consulting an expert for hazardous material is required.

Dispatch battery packs only when the housing is undamaged. Tape or mask off open contacts and pack up the bat-

tery in such a manner that it cannot move around in the packaging. Please also observe the possibility of more detailed national regulations.

Disposal



Power tools, rechargeable batteries, accessories and packaging should be sorted for environmental-friendly recycling.



Do not dispose of power tools and batteries/rechargeable batteries into household waste!

Battery packs/batteries:

Li-ion:

Please observe the notes in the section on transport (see "Transport", page 31).

Français

Consignes de sécurité

Avertissements de sécurité généraux pour l'outil électrique

AVERTISSEMENT Lire tous les avertissements de sécurité, les instructions, les illustrations et les spécifications fournis

avec cet outil électrique. Ne pas suivre les instructions énumérées ci-dessous peut provoquer un choc électrique, un incendie et/ou une blessure sérieuse.

Conserver tous les avertissements et toutes les instructions pour pouvoir s'y reporter ultérieurement.

Le terme "outil électrique" dans les avertissements fait référence à votre outil électrique alimenté par le secteur (avec cordon d'alimentation) ou votre outil électrique fonctionnant sur batterie (sans cordon d'alimentation).

Sécurité de la zone de travail

- ▶ **Conserver la zone de travail propre et bien éclairée.** Les zones en désordre ou sombres sont propices aux accidents.
- ▶ **Ne pas faire fonctionner les outils électriques en atmosphère explosive, par exemple en présence de liquides inflammables, de gaz ou de poussières.** Les outils électriques produisent des étincelles qui peuvent enflammer les poussières ou les fumées.
- ▶ **Maintenir les enfants et les personnes présentes à l'écart pendant l'utilisation de l'outil électrique.** Les distractions peuvent vous faire perdre le contrôle de l'outil.

Sécurité électrique

- ▶ **Il faut que les fiches de l'outil électrique soient adaptées au socle. Ne jamais modifier la fiche de quelque façon que ce soit. Ne pas utiliser d'adaptateurs avec des outils électriques à branchement de terre.** Des fiches non modifiées et des socles adaptés réduisent le risque de choc électrique.
- ▶ **Éviter tout contact du corps avec des surfaces reliées à la terre telles que les tuyaux, les radiateurs, les cuisinières et les réfrigérateurs.** Il existe un risque accru de choc électrique si votre corps est relié à la terre.
- ▶ **Ne pas exposer les outils électriques à la pluie ou à des conditions humides.** La pénétration d'eau à l'intérieur d'un outil électrique augmente le risque de choc électrique.
- ▶ **Ne pas maltraiter le cordon. Ne jamais utiliser le cordon pour porter, tirer ou débrancher l'outil électrique. Maintenir le cordon à l'écart de la chaleur, du lubrifiant, des arêtes vives ou des parties en mouvement.** Des cordons endommagés ou emmêlés augmentent le risque de choc électrique.
- ▶ **Lorsqu'on utilise un outil électrique à l'extérieur, utiliser un prolongateur adapté à l'utilisation extérieure.** L'utilisation d'un cordon adapté à l'utilisation extérieure réduit le risque de choc électrique.
- ▶ **Si l'usage d'un outil électrique dans un emplacement humide est inévitable, utiliser une alimentation protégée par un dispositif à courant différentiel résiduel (RCD).** L'usage d'un RCD réduit le risque de choc électrique.

Sécurité des personnes

- ▶ **Rester vigilant, regarder ce que vous êtes en train de faire et faire preuve de bon sens dans votre utilisation de l'outil électrique. Ne pas utiliser un outil électrique lorsque vous êtes fatigué ou sous l'emprise de drogues, de l'alcool ou de médicaments.** Un moment d'inattention en cours d'utilisation d'un outil électrique peut entraîner des blessures graves.
- ▶ **Utiliser un équipement de protection individuelle. Toujours porter une protection pour les yeux.** Les équipements de protection individuelle tels que les masques contre les poussières, les chaussures de sécurité antidérapantes, les casques ou les protections auditives utilisés pour les conditions appropriées réduisent les blessures.
- ▶ **Éviter tout démarrage intempestif. S'assurer que l'interrupteur est en position arrêté avant de brancher l'outil au secteur et/ou au bloc de batteries, de le ramasser ou de le porter.** Porter les outils électriques en ayant le doigt sur l'interrupteur ou brancher des outils électriques dont l'interrupteur est en position marche est source d'accidents.
- ▶ **Retirer toute clé de réglage avant de mettre l'outil électrique en marche.** Une clé laissée fixée sur une partie tournante de l'outil électrique peut donner lieu à des blessures.

- ▶ **Ne pas se précipiter. Garder une position et un équilibre adaptés à tout moment.** Cela permet un meilleur contrôle de l'outil électrique dans des situations inattendues.
- ▶ **S'habiller de manière adaptée. Ne pas porter de vêtements amples ou de bijoux. Garder les cheveux et les vêtements à distance des parties en mouvement.** Des vêtements amples, des bijoux ou les cheveux longs peuvent être pris dans des parties en mouvement.
- ▶ **Si des dispositifs sont fournis pour le raccordement d'équipements pour l'extraction et la récupération des poussières, s'assurer qu'ils sont connectés et correctement utilisés.** Utiliser des collecteurs de poussière peut réduire les risques dus aux poussières.
- ▶ **Rester vigilant et ne pas négliger les principes de sécurité de l'outil sous prétexte que vous avez l'habitude de l'utiliser.** Une fraction de seconde d'inattention peut provoquer une blessure grave.

Utilisation et entretien de l'outil électrique

- ▶ **Ne pas forcer l'outil électrique. Utiliser l'outil électrique adapté à votre application.** L'outil électrique adapté réalise mieux le travail et de manière plus sûre au régime pour lequel il a été construit.
- ▶ **Ne pas utiliser l'outil électrique si l'interrupteur ne permet pas de passer de l'état de marche à arrêt et inversement.** Tout outil électrique qui ne peut pas être commandé par l'interrupteur est dangereux et il faut le réparer.
- ▶ **Débrancher la fiche de la source d'alimentation et/ou enlever le bloc de batteries, s'il est amovible, avant tout réglage, changement d'accessoires ou avant de ranger l'outil électrique.** De telles mesures de sécurité préventives réduisent le risque de démarrage accidentel de l'outil électrique.
- ▶ **Conserver les outils électriques à l'arrêt hors de la portée des enfants et ne pas permettre à des personnes ne connaissant pas l'outil électrique ou les présentes instructions de le faire fonctionner.** Les outils électriques sont dangereux entre les mains d'utilisateurs novices.
- ▶ **Observer la maintenance des outils électriques et des accessoires. Vérifier qu'il n'y a pas de mauvais alignement ou de blocage des parties mobiles, des pièces cassées ou toute autre condition pouvant affecter le fonctionnement de l'outil électrique. En cas de dommages, faire réparer l'outil électrique avant de l'utiliser.** De nombreux accidents sont dus à des outils électriques mal entretenus.
- ▶ **Garder affûtés et propres les outils permettant de couper.** Des outils destinés à couper correctement entretenus avec des pièces coupantes tranchantes sont moins susceptibles de bloquer et sont plus faciles à contrôler.
- ▶ **Utiliser l'outil électrique, les accessoires et les lames etc., conformément à ces instructions, en tenant compte des conditions de travail et du travail à réali-**

ser. L'utilisation de l'outil électrique pour des opérations différentes de celles prévues peut donner lieu à des situations dangereuses.

- ▶ **Il faut que les poignées et les surfaces de préhension restent sèches, propres et dépourvues d'huiles et de graisses.** Des poignées et des surfaces de préhension glissantes rendent impossibles la manipulation et le contrôle en toute sécurité de l'outil dans les situations inattendues.

Utilisation des outils fonctionnant sur batteries et précautions d'emploi

- ▶ **Ne recharger qu'avec le chargeur spécifié par le fabricant.** Un chargeur qui est adapté à un type de bloc de batteries peut créer un risque de feu lorsqu'il est utilisé avec un autre type de bloc de batteries.
- ▶ **N'utiliser les outils électriques qu'avec des blocs de batteries spécifiquement désignés.** L'utilisation de tout autre bloc de batteries peut créer un risque de blessure et de feu.
- ▶ **Lorsqu'un bloc de batteries n'est pas utilisé, le maintenir à l'écart de tout autre objet métallique, par exemple trombones, pièces de monnaie, clés, clous, vis ou autres objets de petite taille qui peuvent donner lieu à une connexion d'une borne à une autre.** Le court-circuitage des bornes d'une batterie entre elles peut causer des brûlures ou un feu.
- ▶ **Dans de mauvaises conditions, du liquide peut être éjecté de la batterie; éviter tout contact. En cas de contact accidentel, nettoyer à l'eau. Si le liquide entre en contact avec les yeux, rechercher en plus une aide médicale.** Le liquide éjecté des batteries peut causer des irritations ou des brûlures.
- ▶ **Ne pas utiliser un bloc de batteries ou un outil fonctionnant sur batteries qui a été endommagé ou modifié.** Les batteries endommagées ou modifiées peuvent avoir un comportement imprévisible provoquant un feu, une explosion ou un risque de blessure.
- ▶ **Ne pas exposer un bloc de batteries ou un outil fonctionnant sur batteries au feu ou à une température excessive.** Une exposition au feu ou à une température supérieure à 130°C peut provoquer une explosion.
- ▶ **Suivre toutes les instructions de charge et ne pas charger le bloc de batteries ou l'outil fonctionnant sur batteries hors de la plage de températures spécifiée dans les instructions.** Un chargement incorrect ou à des températures hors de la plage spécifiée de températures peut endommager la batterie et augmenter le risque de feu.

Maintenance et entretien

- ▶ **Faire entretenir l'outil électrique par un réparateur qualifié utilisant uniquement des pièces de rechange identiques.** Cela assure le maintien de la sécurité de l'outil électrique.
- ▶ **Ne jamais effectuer d'opération d'entretien sur des blocs de batteries endommagés.** Il convient que l'entre-

tien des blocs de batteries ne soit effectué que par le fabricant ou les fournisseurs de service autorisés.

Avertissements de sécurité pour scies à onglets

- ▶ **Les scies à onglets sont destinées à couper le bois ou des produits assimilés, et ne peuvent pas être utilisées avec une meule tronçonneuse pour la coupe de matériaux ferreux tels que des barres, tiges, goujons, etc.** La poussière d'abrasif provoque le coincement des pièces mobiles telles que le protecteur inférieur. Les étincelles générées par une coupe abrasive provoquent l'inflammation du protecteur inférieur, de l'insert de saignée et des autres pièces en plastique.
- ▶ **Utiliser dans toute la mesure du possible des presseurs pour soutenir la pièce. En cas de soutien de la pièce à la main, il faut toujours maintenir la main à une distance d'au moins 100mm de chaque côté de la lame de scie. Ne pas utiliser cette scie pour couper des pièces qui sont trop petites pour pouvoir être serrées en toute sécurité ou tenues à la main.** Une main placée trop près de la lame de scie augmente le risque de blessure par contact avec la lame.
- ▶ **La pièce doit être fixe et serrée ou maintenue contre le guide et la table. Ne jamais avancer la pièce dans la lame ou ne jamais couper "à main levée".** Des pièces non maintenues ou mobiles peuvent être éjectées à des vitesses élevées et provoquer de ce fait des blessures.
- ▶ **Scier la pièce en exerçant une poussée sur la scie. Ne pas scier la pièce en exerçant une traction sur la scie. Pour effectuer une coupe, lever la tête d'abattage et la placer au-dessus de la pièce sans couper, lancer le moteur, appuyer sur la tête d'abattage et scier la pièce en exerçant une poussée sur la scie.** Une opération de coupe tirante est susceptible de provoquer le déplacement de la lame de scie vers le sommet de la pièce et de propulser violemment ainsi l'assemblage de la lame vers l'opérateur.
- ▶ **Ne jamais croiser la main avec la ligne de coupe prévue que ce soit devant ou derrière la lame de scie.** Soutenir la pièce "main croisée", c'est-à-dire en maintenant la pièce du côté droit de la lame de scie avec la main gauche ou inversement est très dangereux.
- ▶ **Ne pas approcher les mains de la partie arrière du guide à une distance de moins de 100 mm par rapport à chaque côté de la lame de scie, afin de retirer des copeaux de bois, ou pour toute autre raison, et ce, alors que la lame tourne.** La proximité de la lame de scie en rotation et de la main peut ne pas être évidente et peut risquer de provoquer de graves blessures.
- ▶ **Examiner la pièce avant de la couper. Si la pièce est courbée ou gauchie, la serrer avec la face courbée extérieure dirigée vers le guide. Toujours s'assurer de l'absence d'espace entre la pièce, le guide et la table le long de la ligne de coupe.** Les pièces pliées ou gauchies peuvent se tordre ou se décaler et peuvent entraîner un blocage de la lame de scie en rotation lors de la coupe. Il convient que la pièce ne comporte aucun clou ni aucun corps étranger
- ▶ **Ne pas utiliser la scie tant que la table n'est pas dégagée de tous les outils, copeaux de bois, etc., à l'exception de la pièce.** Les petits débris, les morceaux de bois détachés ou d'autres objets en contact avec la lame en rotation peuvent être éjectés avec une vitesse élevée.
- ▶ **Ne couper qu'une seule pièce à la fois.** Plusieurs pièces empilées ne peuvent être serrées ou entourées de manière appropriée et peuvent bloquer la lame ou se décaler lors de la coupe.
- ▶ **S'assurer que la scie à onglets est montée ou placée sur une surface de travail solide de niveau avant utilisation.** Une surface de travail solide de niveau réduit le risque d'instabilité de la scie à onglets.
- ▶ **Planifier votre travail. À chaque changement de réglage de l'angle de biseau ou d'onglet, s'assurer que le guide réglable est réglé correctement afin de soutenir la pièce, et n'affecte pas la lame ou le système de protection.** Sans mettre l'outil en position "MARCHE" et sans aucune pièce placée sur la table, déplacer la lame de scie en simulant une coupe complète afin de s'assurer de l'absence de tout obstacle ou de tout risque de sectionnement du guide.
- ▶ **Prévoir un support approprié tel que des rallonges de table, des chevalets de sciage, etc. pour une pièce plus large ou plus longue que le plateau de la table.** Des pièces plus longues ou plus larges que la table de la scie à onglets peuvent basculer si elles ne sont pas soutenues de manière sûre. Un basculement de la pièce coupée ou de la pièce à couper peut soulever le protecteur inférieur ou la pièce coupée ou à couper peut être éjectée par la lame en rotation.
- ▶ **Ne pas demander à une tierce personne de servir de rallonge de table ou de support supplémentaire.** Un support instable de la pièce peut entraîner le blocage de la lame ou le décalage de la pièce lors de la coupe, vous entraînant, de même que l'assistant, dans la lame en rotation.
- ▶ **La pièce coupée ne doit pas être coincée ou comprimée par quelque moyen que ce soit contre la lame de scie en rotation.** Si elle devait être enserrée, c'est-à-dire à l'aide de butées longitudinales, la pièce coupée pourrait être coincée contre la lame et être éjectée violemment.
- ▶ **Toujours utiliser un presseur ou un appareil de serrage conçu pour soutenir correctement tout matériau rond tel que des tiges ou des tubes.** Les tiges ont tendance à rouler lors de leur coupe, ce qui provoque une "action de morsure" de la lame et entraîne la pièce et la main dans ladite lame.
- ▶ **Laisser la lame atteindre sa vitesse maximale avant qu'elle n'entre en contact avec la pièce.** Cela réduit le risque d'éjection de la pièce.
- ▶ **Lorsque la pièce ou la lame est coincée, mettre la scie à onglets en position arrêt. Attendre l'arrêt complet de toutes les parties mobiles et débrancher la prise de la source d'alimentation et/ou retirer le bloc-piles. Li-**

bérer ensuite le matériau coincé. Un sciage continu avec une pièce coincée peut entraîner une perte de contrôle ou endommager la scie à onglets.

- ▶ **Une fois la coupe achevée, relâcher l'interrupteur de puissance, abaisser la tête d'abattage et attendre l'arrêt de la lame avant de retirer la pièce coupée.** Il est dangereux d'approcher la main de la lame qui continue de tourner.
- ▶ **Maintenir la poignée fermement lors de la réalisation d'une coupe incomplète ou lors du relâchement de l'interrupteur de puissance avant que la tête d'abattage ne soit totalement à l'arrêt.** Le freinage de la scie peut provoquer une saccade descendante de la tête d'abattage, entraînant de ce fait un risque de blessure.
- ▶ **Ne relâchez pas la poignée quand la tête de la scie se trouve dans la position inférieure. Ramenez toujours la tête de la scie dans la position supérieure avec la main.** Il y a risque de blessure quand la tête de la scie bouge de façon incontrôlée.
- ▶ **Veillez à une bonne propreté du poste de travail.** Les mélanges de matériau sont particulièrement dangereux. La poussière de métal fine peut s'enflammer ou exploser.
- ▶ **N'utilisez pas de lames émoussées, fissurées, déformées ou endommagées. Les lames aux dents émoussées ou mal alignées génèrent lors de la coupe une fente trop étroite. Il en résulte une friction anormalement élevée ainsi qu'un plus grand risque de coincement de la lame, de rebond ou de contrecoup.**
- ▶ **N'utilisez pas de lames en acier HSS (acier rapide).** De telles lames se cassent facilement.
- ▶ **Toujours utiliser des lames de scie de dimensions et de forme appropriées des alésages centraux (lame de scie au diamant contre lame de scie ronde).** Des lames qui ne sont pas conformes aux matériels de montage de la scie seront excentrées, provoquant une perte de contrôle.
- ▶ **N'essayez jamais d'enlever des résidus de coupe, copeaux de bois ou autre de la zone de coupe pendant le fonctionnement de l'outil électroportatif.** Amenez le bras de l'outil en position de repos puis éteignez l'outil électroportatif.
- ▶ **Après avoir utilisé la scie, ne touchez pas la lame avant qu'elle ne soit refroidie.** La lame de scie s'échauffe fortement en cours d'utilisation.
- ▶ **Si l'accumulé est endommagé ou utilisé de manière non conforme, des vapeurs peuvent s'échapper. L'accumulé peut brûler ou exploser.** Ventilez le local et consultez un médecin en cas de malaise. Les vapeurs peuvent entraîner des irritations des voies respiratoires.
- ▶ **N'ouvrez pas l'accumulé.** Risque de court-circuit.
- ▶ **Les objets pointus comme un clou ou un tournevis et le fait d'exercer une force extérieure sur le boîtier risquent d'endommager l'accumulé.** Il peut en résulter un court-circuit interne et l'accumulé risque de s'enflammer, de dégager des fumées, d'exploser ou de surchauffer.

- ▶ **N'utilisez l'accumulé qu'avec des produits du fabricant.**

Tout risque de surcharge dangereuse sera alors exclu.



Conservez la batterie à l'abri de la chaleur, en la protégeant p. ex. de l'ensoleillement direct, du feu, de la saleté, de l'eau et de l'humidité. Il existe un risque d'explosion et de courts-circuits.

- ▶ **Assurez-vous que les étiquettes d'avertissement qui se trouvent sur l'outil électroportatif soient toujours lisibles.**

- ▶ **L'outil électroportatif est fourni avec une étiquette d'avertissement laser (voir le tableau « Symboles et leur signification »).**



Ne dirigez jamais le faisceau laser vers des personnes ou des animaux et ne regardez jamais dans le faisceau laser projeté par l'appareil ou réfléchi. Vous risqueriez d'éblouir des personnes, de provoquer des accidents ou de causer des lésions oculaires.

- ▶ **Au cas où le faisceau laser frappe un œil, fermez immédiatement les yeux et déplacez la tête pour l'éloigner du faisceau. N'apportez jamais de modifications au dispositif laser.**
- ▶ **N'utilisez pas d'instruments optiques collecteurs de lumière (jumelles, etc.) pour regarder la source de rayonnement.** Vous pourriez vous abîmer les yeux.
- ▶ **Ne dirigez pas le faisceau laser vers des personnes en train de regarder à travers des jumelles ou un autre instrument optique.** Vous pourriez leur causer des lésions oculaires.
- ▶ **N'apportez aucune modification au dispositif laser.** Vous pouvez faire usage sans danger des possibilités de réglage décrites sans cette notice.
- ▶ **N'utilisez pas les lunettes de vision laser (accessoire non fourni) comme des lunettes de protection.** Les lunettes de vision laser aident seulement à mieux voir le faisceau laser ; elles ne protègent pas contre les effets des rayonnements laser.
- ▶ **N'utilisez pas les lunettes de vision laser (accessoire non fourni) comme des lunettes de soleil ou pour la circulation routière.** Les lunettes de vision laser n'offrent pas de protection UV complète et elles faussent la perception des couleurs.
- ▶ **Attention – L'utilisation d'autres dispositifs de commande ou d'ajustage que ceux indiqués ici ou l'exécution d'autres procédures risque de provoquer une exposition dangereuse aux rayonnements.**
- ▶ **Ne remplacez en aucun cas le laser intégré contre un laser d'un autre type.** Un laser inadapté à cet outil électroportatif pourrait représenter un danger pour les personnes.
- ▶ **Attention ! En cas d'utilisation de l'outil électroportatif en mode Bluetooth, les ondes émises risquent de perturber le fonctionnement de certains appareils et installations ainsi que le fonctionnement des avions et des appareils médicaux (par ex. stimulateurs car-**

diaques, prothèses auditives). Les ondes émises peuvent aussi avoir un effet nocif sur les personnes et les animaux qui se trouvent à proximité immédiate de l'outil. N'utilisez pas l'outil électroportatif en mesure en mode *Bluetooth* à proximité d'appareils médicaux, de stations-service, d'usines chimiques et lorsque vous vous trouvez dans des zones à risque d'explosion ou dans des zones de dynamitage. N'utilisez pas l'outil électroportatif en mode *Bluetooth* dans des avions. Évitez une utilisation prolongée de l'outil très près du corps.

Le nom de marque *Bluetooth*® et le logo associé sont des marques déposées de la Bluetooth SIG, Inc. Toute utilisation de cette marque/de ce logo par la société Robert Bosch Power Tools GmbH s'effectue sous licence.

Symboles

Les symboles suivants peuvent être importants pour l'utilisation de votre outil électroportatif. Veuillez mémoriser les symboles et leur signification. L'interprétation correcte des symboles vous permettra de mieux utiliser votre outil électroportatif et en toute sécurité.

Symboles et leur signification



Rayonnement laser

Ne regardez pas directement le faisceau avec des optiques télescopiques Laser classe 1M



N'approchez en aucun cas les mains de la zone de sciage pendant le fonctionnement de l'outil électroportatif. Il y a risque de blessure grave en cas de contact avec la lame de scie.



Portez un masque à poussière.



Portez toujours des lunettes de protection.



Portez une protection auditive. L'exposition aux bruits peut provoquer une perte de l'audition.



Zone dangereuse ! Gardez si possible les mains, doigts ou bras éloignés de cette zone.

Symboles et leur signification



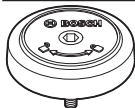
Ne mettez pas vos doigts entre les parties en mouvement du bras coulissant.

Vous pourriez vous coincer les doigts et être gravement blessé.



Respectez les dimensions prescrites de la lame de scie. Le diamètre de l'alésage central doit correspondre exactement à celui de la broche (pas de jeu). Lorsqu'il est nécessaire d'utiliser des bagues de réduction, veillez à ce que les dimensions de la bague de réduction soient adaptées à l'épaisseur du corps de lame, au diamètre de l'alésage de la lame et au diamètre de la broche de l'outil. Utilisez dans la mesure du possible les bagues de réduction fournies avec la lame.

Le diamètre de lame doit correspondre à l'indication du pictogramme.



Indique le sens de rotation de la broche SDS pour serrer la lame de scie (sens antihoraire) et pour desserrer la lame de scie (sens horaire).



Lorsque vous transportez l'outil électroportatif, ne le tenez que par les endroits indiqués (poignées encastrées) ou par la poignée de transport.



Ne portez jamais l'outil électroportatif par la poignée du bras coulissant.



Pour effectuer des coupes biaisées, vous devez déplacer les rallonges de butée ou les retirer complètement.



Le nouveau moteur haute performance permet de disposer, en combinaison avec les accus ProCORE-18V, d'une puissance équivalente à celle des outils électroportatifs filaires.



Levier de serrage ouvert : Il est possible de régler des angles d'inclinaison pour des coupes biaisées.

Levier de serrage fermé : L'angle d'inclinaison du bras coulissant est bloqué et ne peut pas être modifié.



Indique les différentes étapes pour le réglage d'un angle d'inclinaison.

1. Desserrez le levier de serrage

2. Basculez le bras coulissant légèrement vers la gauche

Symboles et leur signification

3. Réglez la plage d'angles d'inclinaison souhaitée à l'aide du bouton de réglage



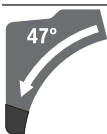
Réglages de plages d'angles d'inclinaison à l'aide du bouton de réglage :



Inclinaison de la lame vers la gauche (45° à 0°)



Inclinaison de la lame vers la droite (0° à 45°)



Plage de basculement total du bras coulissant (-47° à +47°)

Description des prestations et du produit



Lisez attentivement toutes les instructions et consignes de sécurité. Le non-respect des instructions et consignes de sécurité peut provoquer un choc électrique, un incendie et/ou entraîner de graves blessures.

Référez-vous aux illustrations qui se trouvent à l'avant de la notice d'utilisation.

Utilisation conforme

Destiné à un usage stationnaire, l'outil électroportatif est conçu pour effectuer des coupes droites longitudinales et transversales dans le bois. Il permet de régler des angles d'onglet de -52° à +60° dans le plan horizontal et des angles d'inclinaison de 47° (vers la gauche) à 47° (vers la droite).

La puissance de l'outil électroportatif est conçue pour le sciage du bois tendre et du bois dur ainsi que pour les panneaux agglomérés et les panneaux de fibres.

L'outil électroportatif peut aussi servir à scier de l'aluminium et des matières plastiques à condition d'utiliser des lames de scie appropriées.

En cas d'utilisation d'un module *Bluetooth*[®] Low Energy **GCY 42**, les données et les réglages de l'outil électroportatif peuvent être transmis à un périphérique mobile par voie radio au moyen de la technologie *Bluetooth*[®].

Éléments constitutifs

La numérotation des éléments de l'appareil se réfère à la représentation de l'outil électroportatif sur la page graphique.

- (1) Poignée
- (2) Verrouillage d'enclenchement de l'interrupteur Marche/Arrêt
- (3) Écran de contrôle
- (4) Capot de protection
- (5) Capot de protection à mouvement pendulaire

- (6) Butée réglable
- (7) Butée fixe
- (8) Rallonge de table de sciage
- (9) Orifices de fixation
- (10) Pare-éclats
- (11) Patte de blocage
- (12) Poignée de blocage d'angles d'onglet (plan horizontal)
- (13) Levier de pré-réglage d'angle d'onglet (plan horizontal)
- (14) Levier de serrage pour angle d'inclinaison quelconque (coupes biaisées)
- (15) Encoches pour angles d'onglet standards (plan horizontal)
- (16) Poignées encastrees
- (17) Clés mâles pour vis six pans creux (6 mm/4 mm)
- (18) Clé mâle pour vis à six pans creux (2 mm)
- (19) Serre-joint
- (20) Galet
- (21) Indicateur d'angles d'inclinaison pour coupes biaisées vers la droite (0° à 47°) (plan vertical)
- (22) Éjecteur de copeaux
- (23) Broche SDS
- (24) Éjecteur de copeaux
- (25) Levier de blocage du mécanisme de coulissage
- (26) Adaptateur d'aspiration
- (27) Vis d'ajustage de la butée de profondeur
- (28) Butée de profondeur
- (29) Étiquette d'avertissement laser
- (30) Cache de protection du laser
- (31) Cache du module *Bluetooth*[®] Low Energy GCY 42
- (32) Accu^{a)}
- (33) Bouton de déverrouillage d'accu^{a)}
- (34) Bras coulissant
- (35) Sécurité de transport
- (36) Échelle graduée d'angles d'inclinaison (coupes biaisées)
- (37) Indicateur d'angles d'inclinaison pour coupes biaisées vers la gauche (47° à 0°) (plan vertical)
- (38) Bouton de réglage pour angle d'inclinaison de 22,5° (plan vertical)
- (39) Vis de blocage de la butée de longueur
- (40) Butée longitudinale
- (41) Échelle graduée pour angles d'onglet (plan horizontal)
- (42) Table de sciage
- (43) Bouton de réglage de la plage de coupes biaisées (plan vertical)
- (44) Lame de scie

- (45) Orifice de sortie du faisceau laser
- (46) Indicateur d'état de charge de l'accu (écran de contrôle)
- (47) Affichage mode ECO (écran de contrôle)
- (48) Touche de présélection de vitesse (écran de contrôle)
- (49) Affichage Vitesse/Mode (écran de contrôle)
- (50) Affichage smartphone (écran de contrôle)
- (51) Affichage État de l'outil électroportatif (écran de contrôle)
- (52) Affichage de température (écran de contrôle)
- (53) Blocage de broche
- (54) Vis à six pans creux pour fixation de la lame
- (55) Flasque de serrage
- (56) Flasque de serrage intérieur
- (57) Levier de blocage de la rallonge de table de sciage
- (58) Vis de blocage de la butée réglable
- (59) Amortisseur
- (60) Vis de réglage d'amortissement
- (61) Alésages pour serre-joint
- (62) Vis papillon
- (63) Tige filetée
- (64) Indicateur d'angle d'onglet (plan horizontal)
- (65) Bouton Marche/Arrêt
- (66) Vis de pare-éclats
- (67) Vis de serrage de la butée longitudinale
- (68) Vis de réglage pour positionnement du laser (affleurement)
- (69) / Vis de réglage pour le réglage de base 0° (angle d'inclinaison vertical)
- (70) /
- (71)
- (72) Vis de réglage pour le réglage de base 45° (angle d'inclinaison vertical vers la gauche)
- (73) Vis de réglage pour le réglage de base 45° (angle d'inclinaison vertical vers la droite)
- (74) Vis de réglage de l'échelle graduée d'angles d'onglet (plan horizontal)
- (75) Vis d'indicateur d'angle (coupes d'onglet dans plan horizontal)
- (76) Vis de réglage de la force de serrage du levier de serrage (angles d'inclinaison quelconques)

a) Les accessoires décrits ou illustrés ne sont pas tous compris dans la fourniture. Vous trouverez les accessoires complets dans notre gamme d'accessoires.

Caractéristiques techniques

Scie à onglets radiale	GCM 18V-305 GDC	
Référence		3 601 M43 0..
Tension nominale	V=	18
Régime à vide ^{A)}	tr/min	3000-4000

Scie à onglets radiale	GCM 18V-305 GDC	
Régime à vide en mode ECO ^{A)}	tr/min	2550
Type de laser	nm	650
	mW	< 1
Classe laser		1M
Divergence ligne laser	mrad (angle plein)	1,0
Poids selon EPTA-Procédure 01:2014 ^{B)}	kg	26,9-27,8
Températures ambiantes recommandées pour la charge	°C	0 ... +35
Températures ambiantes autorisées pendant l'utilisation ^{C)} et pour le stockage	°C	-20 ... +50
Accus recommandés		GBA 18V... ProCORE18V...
Chargeurs recommandés		GAL 18... GAX 18... GAL 36...

Transmission de données

Bluetooth®		Bluetooth® 4.2 (Low Energy) ^{D)}
Rapport signal/bruit	s	8
Portée maximale du signal ^{E)}	m	30

Dimensions admissibles des lames de scie

Diamètre de lame de scie	mm	305
Épaisseur de corps de lame	mm	1,7-2,6
Largeur de coupe maxi	mm	3,2
Diamètre de l'alésage	mm	30

A) Mesuré à 20-25 °C avec accu **ProCORE18V 8.0Ah**.

B) Dépend de l'accu utilisé

C) Performances réduites à des températures <0 °C

D) Les périphériques mobiles (smartphones, tablettes) doivent être compatibles avec la technologie Bluetooth® Low Energy (version 4.2) et prendre en charge le profil GAP (Generic Access Profile).

E) La portée peut varier sensiblement selon les conditions extérieures et le type de périphérique mobile utilisé. Dans une pièce fermée et à travers des barrières métalliques (par exemple, parois murales, étagères, coffres, etc.), la portée du Bluetooth® peut se trouver fortement réduite.

Dimensions de pièces admissibles (maxi/mini) : (voir « Dimensions de pièce maximales admissibles », Page 46)

Informations concernant le niveau sonore

Valeurs d'émissions sonores déterminées conformément à **EN 62841-3-9**.

Le niveau sonore en dB(A) typique de l'outil électroportatif est de : niveau de pression acoustique **93** dB(A) ; niveau de puissance acoustique **106** dB(A). Incertitude K = 3 dB.

Portez un casque antibruit !

Le niveau d'émission sonore indiqué dans cette notice d'utilisation a été mesuré à l'aide d'un procédé de mesure normalisé.

sé et peut être utilisé pour effectuer une comparaison entre outils électroportatifs. Elle peut aussi servir de base à une estimation préliminaire du niveau sonore.

Le niveau d'émission sonore s'applique pour les utilisations principales de l'outil électroportatif. Si l'outil électroportatif est utilisé pour d'autres applications, avec d'autres accessoires de travail ou sans avoir fait l'objet d'un entretien régulier, la valeur d'émission sonore peut différer. Il peut en résulter un niveau sonore nettement plus élevé pendant toute la durée de travail.

Pour une estimation précise du niveau sonore, il faut aussi prendre en considération les périodes pendant lesquelles l'outil est éteint ou bien en marche sans être vraiment en action. Il peut en résulter au final un niveau sonore nettement plus faible pendant toute la durée de travail.

Montage

- **Retirez l'accu de l'appareil électroportatif avant toute intervention (opérations d'entretien/de maintenance, changement d'accessoire, etc.) ainsi que lors de son transport et rangement.** Il y a sinon risque de blessure lorsqu'on appuie par mégarde sur l'interrupteur Marche/Arrêt.

Accessoires fournis



Reportez-vous à la représentation du contenu, dans les pages graphiques qui se trouvent en début de notice.

Avant la première mise en service de l'outil électroportatif, vérifiez qu'il ne manque aucune des pièces indiquées ci-dessous :

- Scie à onglets radiale avec lame de scie montée (44)
- Bouton de blocage (12)
- Clé mâle pour vis à six pans creux (17)
- Clé mâle pour vis à six pans creux (18)
- Serre-joint (19)
- Broche SDS (23)
- Sac à poussière

Remarque : Assurez-vous que l'outil électroportatif n'est pas endommagé.

Avant d'utiliser l'outil électroportatif, assurez-vous que les dispositifs de protection ou pièces légèrement endommagées peuvent bien remplir leur fonction. Contrôlez si les pièces mobiles fonctionnent correctement sans coincer et assurez-vous qu'aucune pièce n'est endommagée. Pour garantir un fonctionnement correct, toutes les pièces doivent être correctement montées et en parfait état.

Faites réparer ou remplacer les dispositifs de protection et pièces endommagés dans un centre de service après-vente agréé.

D'autres outils nécessaires, pas fournis avec l'outil :

- Tournevis cruciforme
- Clé plate (taille : 8 mm)

- Clé à douille / plate ou polygonale (tailles : 10 mm et 17 mm)

activer le Bluetooth® Low Energy Module GCY 42

Pour plus d'informations, veuillez lire la notice d'utilisation du module Bluetooth® Low Energy GCY 42.

Activation de la pile bouton

- Retirez le cache du module Bluetooth® Low Energy GCY 42 (31).
- Retirez l'isolant placé entre la pile bouton et le module Bluetooth® Low Energy GCY 42.
- Remettez en place le cache (31) de façon à ce qu'aucune saleté ne puisse pénétrer.

- **Enlevez le cache du Bluetooth® Low Energy Module GCY 42 sur l'outil électroportatif, p. ex. à l'aide d'un tournevis ou d'une grosse pièce de monnaie.** L'utilisation d'objets inappropriés peut endommager l'électronique ou le cache.

Recharge de l'accu

- **N'utilisez que les chargeurs indiqués dans les Caractéristiques techniques.** Seuls ces chargeurs sont adaptés à l'accu Lithium-Ion de votre outil électroportatif.

Remarque : L'accu est fourni partiellement chargé. Pour obtenir les performances maximales, chargez l'accu jusqu'à sa pleine capacité avant la première utilisation.

L'accu Lithium-Ion peut être rechargé à tout moment, sans risque de réduire sa durée de vie. Le fait d'interrompre le processus de charge n'endommage pas l'accu.

L'accu Lithium-Ion est protégé contre une décharge complète par « Electronic Cell Protection (ECP) » (l'électronique de protection des cellules). Lorsque l'accu est déchargé, l'outil électroportatif s'arrête grâce à un dispositif d'arrêt de protection : l'accessoire de travail ne tourne plus.

- **Après l'arrêt automatique de l'outil électroportatif, n'appuyez plus sur l'interrupteur Marche/Arrêt.** L'accu pourrait être endommagé.

Respectez les indications concernant l'élimination.

Retrait de l'accu

L'accu (32) dispose d'un double verrouillage permettant d'éviter qu'il tombe si vous appuyez par mégarde sur le bouton de déverrouillage d'accu (33). Tant que l'accu est en place dans l'outil électroportatif, un ressort le maintient en position.

Pour retirer l'accu, appuyez sur la touche de déverrouillage et dégagez l'accu de l'outil électroportatif. **Ne forcez pas.**

Indicateur de niveau de charge de l'accu

Les LED vertes de l'indicateur d'état de charge indiquent le niveau de charge de la batterie. Pour des raisons de sécurité, il n'est possible d'afficher l'état de charge que quand l'outil électroportatif est à l'arrêt.

Pour afficher le niveau de charge, appuyez sur le bouton de l'indicateur de niveau de charge ou . L'affichage du ni-

veau de charge est également possible après retrait de l'accu.

Si aucune LED ne s'allume après avoir appuyé sur le bouton de l'indicateur de niveau de charge, la batterie est défectueuse et doit être remplacée.

Remarque : Le niveau de charge de l'accu est également affiché sur l'écran de contrôle (3).

Batterie de type GBA 18V...



LED	Capacité
3 LED allumées en vert	60–100 %
2 LED allumées en vert	30–60 %
1 LED allumée en vert	5–30 %
Clignotement en vert d'1 LED	0–5 %

Batterie de type ProCORE18V...



LED	Capacité
5 LED allumées en vert	80–100 %
4 LED allumées en vert	60–80 %
3 LED allumées en vert	40–60 %
2 LED allumées en vert	20–40 %
1 LED allumée en vert	5–20 %
Clignotement en vert d'1 LED	0–5 %

Montage des pièces fournies

- Sortez avec précaution de l'emballage toutes les pièces fournies.
- Retirez intégralement le matériau d'emballage qui enveloppe l'outil électroportatif et les accessoires fournis.

Montage du bouton de blocage (voir figure a)

- Vissez le bouton de blocage (12) dans l'alésage correspondant en-dessus du levier (13).
- ▶ **Toujours bien serrer le bouton de blocage (12) avant le sciage.** La lame de scie risque sinon de rester coincée dans la pièce.

Montage stationnaire ou flexible

- ▶ **Pour pouvoir être utilisé en toute sécurité, l'outil électroportatif doit être installé sur une surface de travail plane et stable (par ex. un établi) avant son utilisation.**

Montage sur un plan de travail (voir figure b1)

- À l'aide de vis appropriées, fixez l'outil électroportatif sur le plan de travail. Introduisez pour cela les vis dans les alésages (9).

ou

- Serrez les pieds de l'outil électroportatif sur la surface de travail à l'aide de serre-joints du commerce.

Montage sur un support de travail Bosch (voir figure b2)

(GTA 2500 W, GTA 2500 Compact, GTA 2600, GTA 3800)

Dotés de pieds réglables, les supports de travail GTA de Bosch confèrent à l'outil électroportatif une bonne stabilité, quelle que soit la planéité du sol. Ils disposent par ailleurs de tablettes d'appui pour soutenir les pièces longues.

- ▶ **Lisez attentivement les instructions et consignes de sécurité jointes au support de travail.** Le non-respect des instructions et consignes de sécurité peut entraîner un choc électrique, un incendie et/ou de graves blessures.
- ▶ **Montez correctement le support de travail avant d'installer l'outil électroportatif.** Un montage exact est primordial pour disposer d'une bonne stabilité.
- Installez l'outil électroportatif dans sa position de transport sur le support de travail.

Aspiration de poussières/de copeaux

Les poussières de matériaux tels que peintures contenant du plomb, certains bois, minéraux ou métaux, peuvent être nuisibles à la santé. Le contact avec les poussières ou leur inhalation peut entraîner des réactions allergiques et/ou des maladies respiratoires auprès de l'utilisateur ou des personnes se trouvant à proximité.

Certaines poussières telles que les poussières de chêne ou de hêtre sont considérées comme cancérigènes, surtout en association avec des additifs pour le traitement du bois (chromate, lasure). Les matériaux contenant de l'amiante ne doivent être travaillés que par des personnes qualifiées.

- Si possible, utilisez un dispositif d'aspiration des poussières approprié au matériau.
- Veillez à bien aérer la zone de travail.
- Il est recommandé de porter un masque respiratoire avec un niveau de filtration de classe P2.

Respectez les règlements spécifiques aux matériaux à traiter en vigueur dans votre pays.

- ▶ **Évitez toute accumulation de poussières sur le lieu de travail.** Les poussières peuvent facilement s'enflammer.

L'aspiration des poussières/des copeaux peut être bloquée par de la poussière, des copeaux ou des fragments de pièce.

- Mettez l'outil électroportatif en marche et retirez la batterie.
- Attendez l'arrêt total de la lame de scie.
- Déterminez la cause du blocage et éliminez-la.

Aspiration au moyen d'un aspirateur

Pour une aspiration plus efficace, il est également possible de raccorder à l'adaptateur d'aspiration (26) un tuyau d'aspirateur (Ø 35 mm).

- Raccordez le tuyau d'aspirateur à l'adaptateur d'aspiration (26).

L'aspirateur doit être conçu pour le type de matériau à scier.

Pour l'aspiration de poussières particulièrement nocives, cancérigènes ou sèches, utilisez un aspirateur spécial.

Nettoyage de l'adaptateur d'aspiration

Nettoyez l'adaptateur d'aspiration (26) à intervalles réguliers afin d'assurer une bonne récupération des poussières.

- Retirez l'adaptateur d'aspiration (26) du dispositif d'éjection des copeaux (24) par un mouvement rotatif.
- Éliminez les fragments de matériaux et les copeaux.
- Montez à nouveau l'adaptateur d'aspiration sur le dispositif d'éjection des copeaux par un mouvement rotatif jusqu'à ce qu'il s'enclenche au-dessus de l'anneau de retenue du dispositif d'éjection des copeaux.

Changement de la lame de scie

- ▶ **Retirez l'accu de l'appareil électroportatif avant toute intervention (opérations d'entretien/de maintenance, changement d'accessoire, etc.) ainsi que lors de son transport et rangement.** Il y a sinon risque de blessure lorsqu'on appuie par mégarde sur l'interrupteur Marche/Arrêt.
- ▶ **Portez toujours des gants de protection pour monter la lame de scie.** En touchant la lame de scie, vous risquez de vous blesser.

N'utilisez que des lames de scie dont la vitesse de rotation maximale admissible est supérieure au régime à vide de votre outil électroportatif.

N'utilisez que des lames de scie conformes aux caractéristiques techniques indiquées dans la présente notice d'utilisation, qui ont été contrôlées selon la norme EN 847-1 et qui disposent du marquage correspondant.

N'utilisez que des lames de scie recommandées par le fabricant de cet outil électroportatif et adaptées au type de matériau à découper, de façon à éviter toute surchauffe des dents de scie.

Montage avec vis à six pans creux (voir figures c1–c4)

Retrait de la lame de scie

- Placez l'outil électroportatif dans la position de travail.
- Basculez le capot de protection à mouvement pendulaire (5) vers l'arrière et maintenez-le dans cette position.
- Tournez la vis à six pans creux (54) avec la clé mâle pour vis à six pans creux (4 mm) (17) tout en actionnant le blocage de broche (53) jusqu'à ce qu'il s'enclenche.
- Maintenez le blocage de broche (53) enfoncé et tournez la vis (54) dans le sens horaire (filetage à gauche !).
- Retirez le flasque de serrage (55).
- Retirez la lame de scie (44).
- Faites redescendre lentement le capot de protection.

Mise en place de la lame de scie

- ▶ **Lors du montage, assurez-vous que le sens de coupe des dents (sens de la flèche sur la lame de scie) coïncide avec le sens de la flèche du capot de protection !**

Si nécessaire, nettoyez préalablement toutes les pièces à monter.

- Basculez le capot de protection à mouvement pendulaire (5) vers l'arrière et maintenez-le dans cette position.
- Placez la nouvelle lame de scie sur le flasque de serrage intérieur (56).
- Montez le flasque de serrage (55) et la vis à six pans creux (54). Appuyez sur le blocage de broche (53) jusqu'à ce qu'il s'enclenche et serrez la vis à six pans creux dans le sens antihoraire.
- Faites redescendre lentement le capot de protection.

Montage avec broche SDS (voir figure d)

- ▶ **Pour la réalisation de coupes biaisées en utilisant la broche SDS (23), vous devez avant d'effectuer la coupe régler la butée de profondeur (28) de façon à ce que la broche SDS ne puisse à aucun moment entrer en contact avec la surface de la pièce.** Cela exclut tout risque d'endommagement de la broche SDS et/ou de la pièce.

Démontage de la lame de scie

- Placez l'outil électroportatif dans la position de travail.
- Basculez le capot de protection à mouvement pendulaire (5) vers l'arrière et maintenez-le dans cette position.
- Tournez la broche SDS (23) tout en actionnant le blocage de broche (53) jusqu'à ce qu'il s'enclenche.
- Maintenez le blocage de broche (53) enfoncé et dévissez la broche SDS (23) dans le sens horaire (filetage à gauche !).
- Retirez le flasque de serrage (55).
- Retirez la lame de scie (44).
- Faites redescendre lentement le capot de protection.

Montage de la lame de scie

- ▶ **Lors du montage, assurez-vous que le sens de coupe des dents (sens de la flèche sur la lame de scie) coïncide avec le sens de la flèche du capot de protection !**

Si nécessaire, nettoyez préalablement toutes les pièces à monter.

- Basculez le capot de protection à mouvement pendulaire (5) vers l'arrière et maintenez-le dans cette position.
- Placez la nouvelle lame de scie sur le flasque de serrage intérieur (56).
- Montez le flasque de serrage (55) et la broche SDS (23). Actionnez le blocage de broche (53) jusqu'à ce qu'il s'enclenche et serrez la broche SDS dans le sens antihoraire.
- Faites redescendre lentement le capot de protection.

Utilisation

- ▶ **Retirez l'accu de l'appareil électroportatif avant toute intervention (opérations d'entretien/de maintenance, changement d'accessoire, etc.) ainsi que lors de son transport et rangement.** Il y a sinon risque de blessure lorsqu'on appuie par mégarde sur l'interrupteur Marche/Arrêt.

Sécurité de transport (voir figure A)

La sécurité de transport (35) facilite le maniement de l'outil électroportatif lors du transport vers différents lieux d'utilisation.

Débloquez l'outil électroportatif (position travail)

- En agissant sur la poignée (1), déplacez le bras coulissant (34) légèrement vers le bas afin de détendre la sécurité de transport (35).
- Tirez la sécurité de transport (35) complètement vers l'extérieur.
- Déplacez le bras coulissant (34) lentement vers le haut.

Bloquez l'outil électroportatif (position de transport)

- Poussez le bras coulissant (34) à fond vers l'arrière et bloquez-le dans cette position.
- Abaissez le bras coulissant jusqu'à ce que la sécurité de transport (35) puisse être enfoncée complètement.

Autres indications : (voir « Transport (voir figure Z) », Page 49)

Blocage du bras coulissant

Il est possible de bloquer le mécanisme de coulissage du bras coulissant (34) à l'aide du levier de blocage (25). Deux positions du bras coulissant sont possibles :

- Bras coulissant complètement poussé vers l'arrière (pour coupes transversales)
- Bras coulissant tiré à fond vers l'avant (pour une position de transport compacte)

Déverrouillage du bras coulissant (voir figure B1)

Après avoir déverrouillé le bras coulissant (34), tout le mécanisme de coulissage est prêt à fonctionner.

- Poussez le levier de blocage (25) à fond vers le bas.

- Le taquet de verrouillage du levier de blocage permet de libérer les deux articulations inférieures du bras coulissant.

Blocage du bras coulissant (voir figure B2)

Bras coulissant complètement poussé vers l'arrière :

- Poussez le bras coulissant (34) à fond vers l'arrière.
- Les deux articulations supérieures du bras coulissant sont maintenant en position verticale et sont fermées.
- Tirez le levier de blocage (25) vers le haut jusqu'à ce que le taquet de verrouillage se trouve entre les deux articulations inférieures du bras coulissant.
- Le bras coulissant (34) qui est alors complètement poussé vers l'arrière est ainsi bloqué.

Bras coulissant complètement tiré vers l'avant :

- Tirez le bras coulissant (34) à fond vers l'avant.
- Le mécanisme de coulissage ressort entièrement.
- Tirez le levier de blocage (25) vers le haut jusqu'à ce que le taquet de verrouillage se trouve entre les deux articulations inférieures du bras coulissant.
- Le bras coulissant (34), qui est complètement tiré vers l'avant, est ainsi bloqué.

Préparation du travail

Rallongement de la table de sciage (voir figure C)

Les pièces longues doivent être soutenues au niveau de leur extrémité libre.

La table de sciage peut pour cela être rallongée vers la gauche ou vers la droite à l'aide des rallonges (8).

- Rabattez le levier de blocage (57) vers l'intérieur.
- Tirez vers l'extérieur la rallonge (8) jusqu'à la longueur souhaitée (maximum 250 mm).
- Pour bloquer la rallonge, poussez à nouveau le levier de blocage (57) vers l'extérieur.

Déplacement de la butée réglable (voir figures D–E)

Pour effectuer des coupes d'onglets ou des coupes biaises, il est nécessaire (selon le sens de la coupe) de tirer vers l'extérieur ou de retirer complètement la butée réglable de gauche ou de droite (6).

Angle d'inclinaison (pour coupes biaises)	Angle d'onglet (plan horizontal)	
0°–47° (vers la gauche)	≤ 44° (vers la droite/ vers la gauche)	– Desserrez la vis de blocage (58). – Tirez la butée réglable de gauche (6) complètement vers l'extérieur.
0°–47° (vers la gauche)	≥ 45° (vers la droite/ vers la gauche)	– Desserrez la vis de blocage (58). – Tirez la butée réglable de gauche (6) complètement vers l'extérieur. – Soulevez la butée réglable. – Retirez la vis de blocage (58).
0°–47° (vers la droite)	≤ 44° (vers la droite/ vers la gauche)	– Desserrez la vis de blocage (58). – Tirez la butée réglable de droite (6) complètement vers l'extérieur. – Soulevez la butée réglable.
0°–47° (vers la droite)	≥ 45° (vers la droite/ vers la gauche)	

Réglage de l'amortissement du bras coulissant (voir figure F)

Le mécanisme de coulissement du bras coulissant (34) a été préréglé en usine de sorte qu'il n'y ait pas d'amortissement.

Vous pouvez régler l'amortissement du mécanisme de coulissage au niveau de l'amortisseur (59) :

ferme – coupes parfaitement maîtrisées ;

souple – coupes rapides.

- Desserrez les deux vis de réglage (60) à l'aide de la clé mâle pour vis à six pans creux (4 mm) (17) pour obtenir un amortissement plus **souple**

– ou

- serrez les deux vis de réglage (60) plus fortement pour obtenir un amortissement plus **ferme**.

Fixation de la pièce (voir figure G)

Pour travailler en toute sécurité, prenez soin de toujours bien serrer la pièce.

N'utilisez pas l'outil électroportatif pour tronçonner des pièces qui sont trop petites pour être serrées correctement.

- Pressez fermement la pièce contre les butées (7) et (6).
- Introduisez le serre-joint (19) fourni dans l'un des alésages prévus (61).
- Desserrez la vis papillon (61) et ajustez le serre-joint pour qu'il maintienne bien la pièce. Resserrez la vis papillon.
- Bloquez la pièce en serrant fermement la tige filetée (63).

Retrait d'une pièce

- Pour desserrer le serre-joint, tournez la tige filetée (63) dans le sens antihoraire.

Réglage d'angles d'onglet (dans le plan horizontal)

Réglage d'angles d'onglet standard (dans le plan horizontal) (voir figure H)

Pour permettre le réglage rapide et précis des angles d'onglet horizontaux les plus fréquemment utilisés des encoches sont pratiquées sur la table de sciage (15) :

vers la gauche	0°	vers la droite
45° ; 31,6° ; 22,5° ; 15°	15° ; 22,5° ; 31,6° ; 45° ; 60°	

- Desserrez le bouton de blocage (12) (au cas où celui-ci serait serré).

- Tirez le levier (13) et tournez la table de sciage (42) vers la droite ou vers la gauche jusqu'à l'encoche souhaitée.

- Relâchez le levier. Le levier doit s'encliqueter de manière perceptible dans l'encoche.

- Resserrez le bouton de blocage (12).

Réglage d'angles d'onglet quelconques (dans le plan horizontal) (voir figure I)

Il est possible de régler dans le plan horizontal des angles d'onglet de 52° (vers la gauche) à 60° (vers la droite).

- Desserrez le bouton de blocage (12) (au cas où celui-ci serait serré).

- Tirez le levier (13) et appuyez en même temps sur la patte de blocage (11) jusqu'à ce qu'elle s'encliquette dans la gorge prévue à cet effet. La table de sciage peut alors être bougée librement.
- En agissant sur le bouton de blocage, tournez la table de sciage (42) vers la gauche ou la droite jusqu'à ce que l'indicateur d'angle (64) indique l'angle d'onglet souhaité.
- Resserrez le bouton de blocage (12).
- Pour desserrer le levier (13) (afin de sélectionner un angle d'onglet standard), tirez le levier vers le haut. La patte de blocage (11) revient dans sa position initiale et le levier (13) peut à nouveau s'enclencher dans les encoches (15).

Réglage d'angles d'inclinaison (pour coupes biaisées)

Il est possible de régler des angles d'inclinaison de 47° (vers la gauche) à 47° (vers la droite).

La table de sciage comporte des butées permettant de sélectionner rapidement et avec précision les angles d'inclinaison les plus souvent utilisés (0°, 22,5°, 45° et 47°) :

Réglage d'angles d'inclinaison vers la gauche (45° à 0°)

L

- Tirez la butée réglable de gauche (6) complètement vers l'extérieur.
- Desserrez le levier de serrage (14).
- En agissant sur la poignée (34), basculez le bras coulissant (1) vers la gauche jusqu'à ce que l'indicateur d'angle (37) indique l'angle d'inclinaison souhaité.
- Maintenez le bras coulissant (34) dans cette position et resserrez le levier de serrage (14).

La force de serrage du levier doit assurer le maintien en position du bras coulissant lors de toute coupe biseau dans le plan vertical.

Réglage d'angles d'inclinaison vers la droite (0° à 45°) (voir figure J)

45° R

- Tirez la butée réglable de droite (6) complètement vers l'extérieur.
- Desserrez le levier de serrage (14).
- En agissant sur la poignée (1), basculez le bras coulissant (34) légèrement vers la gauche à partir de la position 0° et tournez le bouton de réglage (43) jusqu'à ce que la plage de coupes biaisées souhaitée soit affichée.
- En agissant sur la poignée (34), basculez le bras coulissant (1) vers la droite jusqu'à ce que l'indicateur d'angle (21) indique l'angle d'inclinaison souhaité.
- Maintenez le bras coulissant (34) dans cette position et resserrez le levier de serrage (14).

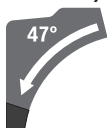
La force de serrage du levier doit assurer le maintien en position du bras coulissant lors de toute coupe biseau dans le plan vertical.

Réglage de l'angle d'inclinaison standard de 0°

Afin de pouvoir régler aisément un angle d'inclinaison standard de 0°, le bouton de réglage (43) s'encliquette dans la plage d'angles d'inclinaison de gauche.

- Basculez le bras coulissant (34) par la droite pour le mettre au-dessus de la position 0°.

Réglage de la plage d'angles d'inclinaison complète (-47° à +47°)



- Tirez les deux butées réglables (6) complètement vers l'extérieur.
- Desserrez le levier de serrage (14).
- En agissant sur la poignée (1), basculez le bras coulissant (34) légèrement vers la gauche à partir de la position 0° et tournez le bouton de réglage (43) jusqu'à ce que la plage de coupes biaisées souhaitée soit affichée.
- En agissant sur la poignée (1), basculez le bras coulissant (34) vers la gauche ou vers la droite jusqu'à ce que l'indicateur d'angle (37) ou (21) indique l'angle d'inclinaison souhaité.
- Maintenez le bras coulissant (34) dans cette position et resserrez le levier de serrage (14).

La force de serrage du levier doit assurer le maintien en position du bras coulissant lors de toute coupe biaisée dans le plan vertical.

Réglage de l'angle d'inclinaison standard de 22,5° (voir figure K)

Tirez le bouton de réglage (38) complètement vers l'extérieur et tournez-le de 90°. En agissant sur la poignée (1), basculez ensuite le bras coulissant (34) jusqu'à ce qu'il s'encliquette de façon perceptible.

Réglage d'angle d'onglet sur le plan horizontal et vertical

Mise en marche

Mise en place de l'accu

- N'utilisez que des accus Lithium-Ion Bosch d'origine dont la tension correspond à celle indiquée sur la

Affichages d'état

Indicateur d'état de charge de l'accu (écran de contrôle) (46)	Signification/cause	Remède
vert (2 à 5 barres)	Accu chargé	–
jaune (1 barre)	Accu presque vide	Changer l'accu ou le recharger sans tarder
rouge (1 barre)	Accu vide	Changer d'accu ou le recharger

plaque signalétique de l'outil électroportatif. L'utilisation de tout autre accu présente des risques de blessures et d'incendie.

- Glissez l'accu chargé (32) dans le logement de l'outil électroportatif jusqu'à ce qu'il soit correctement verrouillé.

Mise en marche (voir figure L)

- Pour **mettre en marche** l'outil électroportatif, poussez **d'abord** le verrouillage d'enclenchement (2) vers le milieu et appuyez **ensuite** sur l'interrupteur Marche/Arrêt (65) et maintenez-le appuyé.

Remarque : Pour des raisons de sécurité, il n'est pas possible de verrouiller l'interrupteur Marche/Arrêt (65), il faut le maintenir actionné pendant tout le travail de sciage.

Arrêt

- Pour **arrêter** l'outil électroportatif, relâchez l'interrupteur Marche/Arrêt (65).

Mode ECO

Le mode ECO (économie d'énergie) permet de bénéficier d'une autonomie jusqu'à 20 % plus élevée.

Quand le mode ECO est actif, le symbole **E** apparaît au niveau de l'affichage Vitesse/mode (49). De plus, l'affichage Mode ECO (47) est allumé.

Écran de contrôle

L'écran de contrôle (3) sert à la présélection de vitesse et à afficher l'état de l'outil électroportatif.

Présélection de vitesse de rotation

Un mode ECO et 3 vitesses sont pré-réglés.

La touche de présélection de vitesse (48) permet de présélectionner la vitesse de rotation requise, même quand l'outil électroportatif est en marche.

Position de vitesse	Vitesse de rotation [tr/min]
Eco	2550
1	3000
2	3500
3	4000

Affichage de la température (52)	Signification / cause	Solution
jaune	Température critique atteinte (moteur, électronique, accu)	Faire fonctionner l'outil électroportatif à vide et attendre qu'il refroidisse
rouge	L'outil électroportatif s'est arrêté pour cause de surchauffe	Laisser refroidir l'outil électroportatif

Affichage du smartphone (50) et affichage du statut de l'outil électroportatif (51)	Signification / cause	Solution
jaune	Rappel de service	Pour plus d'informations, reportez-vous à l'application ou au service Bosch Toolbox

Affichage d'état de l'outil électroportatif (51)	Signification / cause	Solution
vert	État OK	–
jaune	Température critique atteinte ou accu presque vide	Faire fonctionner l'outil électroportatif à vide et attendre qu'il refroidisse ou bien changer / recharger l'accu
rouge	Outil électroportatif en surchauffe ou accu vide	Laisser refroidir l'outil électroportatif ou bien changer / recharger l'accu
rouge clignotant	Entrée en action de la protection anti-redémarrage	Éteignez puis rallumez l'outil électroportatif, et retirez pour installer à nouveau l'accu.

Fonctions de connectivité

En combinaison avec le module *Bluetooth®* Low Energy GCY 42, les fonctions de connectivité suivantes sont disponibles pour l'outil électroportatif :

- Enregistrement et personnalisation
- Vérification d'état, émission d'avertissements
- Informations générales et réglages
- Gestion
- Paramétrage des vitesses

Pour plus d'informations, veuillez lire la notice d'utilisation du module *Bluetooth®* Low Energy **GCY 42**.

L'affichage du smartphone (50) s'allume lorsque l'outil électroportatif transmet une information (par ex. alerte de température) à un périphérique mobile par voie radio au moyen de la technologie *Bluetooth®*.

Instructions d'utilisation

Indications générales pour le sciage

- ▶ **Toujours bien serrer le bouton de blocage (12) et le levier de serrage (14) avant le sciage.** La lame de scie risque sinon de rester coincée dans la pièce.
- ▶ **Veillez à toujours bien serrer le bouton de blocage (12) et le levier de blocage avant le sciage.** La lame de scie risque sinon de rester coincée dans la pièce.
- ▶ **Quel que soit le type de coupe à effectuer, assurez-vous d'abord que la lame de scie ne peut en aucun cas toucher la butée réglable, les serre-joints ou d'autres pièces de l'outil électroportatif. Enlevez si nécessaire**

les butées auxiliaires qui gênent ou modifiez leur position.

- ▶ **En présence du module *Bluetooth®* Low Energy GCY 42, l'outil électroportatif est doté d'une interface radio. Observez les restrictions d'utilisation locales en vigueur, par ex. dans les avions ou dans les hôpitaux.**
- ▶ **Lorsque la technologie radio par *Bluetooth®* n'est pas nécessaire, le module *Bluetooth®* Low Energy GCY 42 ainsi que la pile bouton doivent être retirés.**

Les pièces longues et lourdes doivent être soutenues par des cales ou autre au niveau de leur extrémité libre.

Ne travaillez pas des pièces déformées. Le côté de la pièce qui va être appliqué contre la butée réglable doit toujours être droit.

Ne sciez que les matériaux pour lesquels la scie est conçue (voir la section Utilisation conforme).

Protégez la lame de scie contre les chocs et les coups. N'exposez pas la lame de scie à une pression latérale.

Assurez-vous que le capot de protection à mouvement pendulaire fonctionne correctement et qu'il puisse bouger librement. Quand le bras d'outil est déplacé vers le bas, le capot de protection à mouvement pendulaire doit s'ouvrir. Quand le bras de l'outil est guidé vers le haut, le capot de protection à mouvement pendulaire doit se refermer au-dessus de la lame et se bloquer dans la position supérieure du bras de l'outil.

Marquage de la ligne de coupe (voir figure M)

Deux faisceaux laser matérialisent la ligne de coupe sur la pièce. Ceci vous permet de positionner la pièce avec précision sans devoir ouvrir le capot de protection pendulaire.

- Activez pour cela les faisceaux laser en actionnant légèrement l'interrupteur Marche/Arrêt (65) sans appuyer sur le verrouillage d'enclenchement (2).
- Orientez la pièce de façon à ce que votre marquage se trouve entre les deux lignes laser.

Remarque : Assurez-vous avant chaque découpe que le faisceau laser coïncide bien avec la ligne de coupe (voir « Ajustage du laser », Page 47). Les faisceaux laser risquent en effet de se déplacer quelque peu suite par ex. aux vibrations générées lors d'une utilisation intensive.

Position de l'utilisateur (voir figure N)

- ▶ **Ne vous placez jamais devant l'outil électroportatif dans le prolongement de la lame mais toujours de côté.** Vous ne risquez ainsi pas d'être blessé en cas de rebond intempestif.
- Maintenez les mains, doigts ou bras éloignés de la lame de scie en rotation.
- Ne croisez pas vos bras devant le bras d'outil.

Remplacement des pare-éclats (voir figure O)

Les pare-éclats (10) peuvent s'user lors d'une utilisation prolongée de l'outil électroportatif.

Remplacez les pare-éclats usagés.

- Placez l'outil électroportatif dans la position de travail.
- Dévissez la vis de fixation (66) avec la clé mâle pour six pans creux (18) puis retirez les anciens pare-éclats.
- Introduisez le nouveau pare-éclat de droite.
- À l'aide des vis (66), vissez le pare-éclats le plus possible vers la droite, de façon à ce que la lame de scie ne risque pas de venir en contact avec le pare-éclats sur toute l'amplitude du mouvement radial.
- Procédez de la même façon pour le pare-éclats de gauche.

Dimensions de pièce maximales admissibles

Angle d'onglet (coupes dans plan horizontal)	Angle d'inclinaison (coupes biaisées dans plan vertical)	Hauteur x Largeur [mm]
0°	0°	104 x 341 45 x 400 ^{A)} 120 x 200 ^{B)} 180 x 40
45° (vers la gauche)	0°	104 x 240 180 x 20
0°	45° (vers la gauche)	60 x 341
0°	45° (vers la droite)	40 x 341
45°	45° (vers la gauche)	60 x 240
45°	45° (vers la droite)	40 x 240

A) avec butée de distance horizontale (hauteur x largeur : 60 mm x 400 mm)

B) avec butée de distance verticale (hauteur x largeur : 72 mm x 50 mm)

Dimensions **minimales** des pièces (= toutes les pièces qui peuvent être serrées au moyen du serre-joint (19) fourni, à gauche ou à droite de la lame) : 160 mm x 35 mm (longueur x largeur)

Profondeur de coupe maximale (0°/0°) : 120 mm

Sciage

Sciage sans mouvement radial (coupe perpendiculaire) (voir figure P)

- Poussez le bras coulissant (34) à fond vers l'arrière et bloquez-le dans cette position. Assurez-vous que la butée de profondeur (28) est complètement poussée vers l'intérieur et que la vis d'ajustage (27) peut passer à travers l'évidement sans toucher la butée de profondeur lors du déplacement du bras coulissant.
- Serrez la pièce comme l'exigent ses dimensions.
- Ajustez l'angle d'onglet et/ou l'angle d'inclinaison souhaité(s).
- Mettez l'outil électroportatif en marche.
- En agissant sur la poignée (1), déplacez lentement le bras coulissant (34) vers le bas.
- Sciez la pièce avec une avance régulière.
- Arrêtez l'outil électroportatif et attendez l'immobilisation complète de la lame de scie.
- Déplacez le bras coulissant (34) lentement vers le haut.

Sciage avec mouvement radial (voir figure Q)

- ▶ **Tenez fermement la poignée avant de mettre en marche l'outil et pendant toute l'opération de sciage. Lors du sciage, veillez à toujours bien maîtriser les mouvements du bras coulissant.** Du fait de la mobilité extrême du bras coulissant, un moment d'inattention suffit à provoquer des blessures graves.
- Débloquez le bras coulissant (34)
- Actionnez le bras coulissant (34) dans les deux sens pour vérifier que le mécanisme de coulissage complet est opérationnel.
- Serrez la pièce comme l'exigent ses dimensions.
- Ajustez l'angle d'onglet et/ou l'angle d'inclinaison souhaité(s).
- En agissant sur la poignée (1), éloignez le bras coulissant (34) de la butée (7) jusqu'à ce que la lame de scie se trouve devant la pièce.
- Mettez l'outil électroportatif en marche.
- En agissant sur la poignée (1), déplacez lentement le bras coulissant (34) vers le bas.
- Poussez ensuite le bras coulissant (34) en direction de la butée (7) et sciez la pièce avec un mouvement d'avance régulier.
- Arrêtez l'outil électroportatif et attendez l'immobilisation complète de la lame de scie.
- Déplacez le bras coulissant (34) lentement vers le haut.

Sciage de pièces à la même longueur (voir figure R)

Pour scier facilement des pièces à la même longueur, il est recommandé d'utiliser la butée de longueur (40) (accès-soire).

Vous pouvez monter la butée de longueur des deux côtés de la rallonge (8) de la table de sciage.

- Desserrez la vis de blocage (39) et faites passer la butée de longueur (40) au-dessus de la vis de serrage (67).
- Resserrez la vis de blocage (39).
- Réglez la rallonge (8) à la longueur désirée.

Réglage de la butée de profondeur (réalisation de rainures) (voir figure S)

Pour réaliser des rainures ou utiliser une butée de distance, il est nécessaire de modifier la position de la butée de profondeur.

- Basculez la butée de profondeur (28) vers l'extérieur.
- Basculez le bras coulissant (34) dans la position souhaitée en agissant sur la poignée (1).
- Tournez la vis d'ajustage (27) jusqu'à ce que l'extrémité de la vis touche la butée de profondeur (28).
- Déplacez lentement le bras coulissant (34) vers le haut.

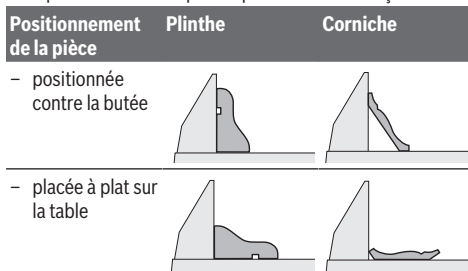
Pièces spéciales

Une attention particulière doit être portée aux pièces incurvées ou rondes. Il est indispensable de bien les fixer pour qu'elles ne glissent pas. Le long de la ligne de coupe, il ne doit apparaître aucun espace entre la pièce, la butée et la table de sciage.

Confectionnez si nécessaire des fixations spéciales.

Travailler les liteaux profilés

Il est possible de découper les profilés de deux façons :



Les coupes peuvent par ailleurs être effectuées avec ou sans mouvement radial suivant la largeur du profilé.

Après avoir réglé un angle (angle d'onglet et/ou angle d'inclinaison), effectuez toujours d'abord un essai sur une chute de bois.

Contrôle et correction des réglages de base

Pour pouvoir réaliser des coupes précises, il est nécessaire après une utilisation intensive de contrôler et, le cas échéant, de corriger les réglages de base de l'outil électroportatif.

Pour ce faire, il faut de l'expérience et des outils spéciaux.

Il est conseillé de confier ce travail à un centre de service après-vente Bosch agréé. Il effectuera ce travail rapidement et de façon fiable.

Ajustage du laser

Remarque : Pour tester le fonctionnement du laser, l'outil électroportatif doit être connecté à l'alimentation électrique.

- ▶ **Pendant l'ajustage du laser (par ex. lors du déplacement du bras d'outil), n'actionnez jamais l'interrupteur Marche/Arrêt.** Une mise en marche intempestive de l'outil électroportatif peut causer de graves blessures.
- Placez l'outil électroportatif dans la position de travail.
- Tournez la table de sciage (42) jusqu'à l'encoche (15) 0°.
- Le levier (13) doit s'enclencher de manière perceptible dans l'encoche.

Contrôle (voir figure T1)

- Tracez une ligne de coupe droite sur une pièce.
- En agissant sur la poignée (1), déplacez lentement le bras coulissant (34) vers le bas.
- Orientez la pièce de façon à ce que les dents de la lame coïncident avec la ligne de coupe.
- Maintenez la pièce dans cette position et déplacez le bras coulissant lentement vers le haut.
- Serrez la pièce.
- Activez les faisceaux laser avec l'interrupteur.

Les faisceaux laser doivent être sur toute la longueur, à droite comme à gauche, à la même distance de la ligne de coupe tracée sur la pièce, même lorsque le bras coulissant est déplacé vers le bas.

Réglage (voir figure T2)

- Réglage du faisceau laser de droite :
 - À l'aide de la clé mâle pour vis à six pans creux (18), tournez la vis de réglage de droite (68) jusqu'à ce que le faisceau laser de droite affleure la ligne de coupe tracée sur la pièce sur toute la longueur.
 - Ce faisant, le faisceau laser de gauche se déplace lui aussi.

Une rotation dans le sens antihoraire déplace le faisceau laser de la gauche vers la droite, une rotation dans le sens horaire déplace le faisceau laser de la droite vers la gauche.

2. Réglage du faisceau laser de gauche :

- À l'aide de la clé mâle pour vis à six pans creux (18), tournez la vis de réglage de gauche (68) jusqu'à ce que le faisceau laser de gauche se trouve à la même distance de la ligne de coupe tracée sur la pièce que le faisceau laser de droite.

Une rotation dans le sens antihoraire déplace le faisceau laser de la gauche vers la droite, une rotation dans le sens horaire déplace le faisceau laser de la droite vers la gauche.

Réglage de l'angle d'inclinaison standard de 0°

- Placez l'outil électroportatif dans la position de transport.
- Tournez la table de sciage (42) jusqu'à l'encoche (15) 0°.
- Le levier (13) doit s'enclencher de manière perceptible dans l'encoche.

Contrôle (voir figure U1)

- Réglez un rapporteur d'angle sur 90° et positionnez-le sur la table de sciage (42).

La branche du rapporteur doit affleurer avec la lame de scie (44) sur toute sa longueur.

Réglage voir figure U2)

- Desserrez le levier de serrage (14).
- Desserrez les deux vis de réglage (69) (au moins d'1 tour) à l'aide d'une clé à douille (10 mm).
- Desserrez la vis de fixation (71) (3 tours environ) au moyen de la clé mâle pour vis à six pans creux (4 mm) (17).
- À l'aide de la clé mâle pour six à six pans creux (4 mm) (17), vissez ou dévissez la vis de réglage (70) jusqu'à ce que la branche du rapporteur d'angle affleure avec la lame de scie sur toute sa longueur.

- Resserrez le levier de serrage (14). Resserrez ensuite d'abord la vis de réglage (71) puis les vis de réglage (69).

Si, après le réglage, les indicateurs d'angle (37) et (21) ne se trouvent pas sur la même ligne que les marques 0° de l'échelle graduée (36), desserrez les vis de fixation des indicateurs d'angle à l'aide d'un tournevis cruciforme et orientez les indicateurs d'angle le long des marques 0°.

Réglage de l'angle d'inclinaison standard de 45° (vers la gauche)

- Placez l'outil électroportatif dans la position de travail.
- Tournez la table de sciage (42) jusqu'à l'encoche (15) 0°. Le levier (13) doit s'enclencher de manière perceptible dans l'encoche.
- Tirez la butée réglable de gauche (6) complètement vers l'extérieur.
- Desserrez le levier de serrage (14) et poussez le bras coulissant à fond vers la gauche (45°) en agissant sur la poignée (1).

Contrôle (voir figure V1)

- Réglez un rapporteur d'angle sur 45° et positionnez-le sur la table de sciage (42).

La branche du rapporteur doit affleurer avec la lame de scie (44) sur toute sa longueur.

Réglage (voir figure V2)

- À l'aide d'une clé plate (8 mm), vissez ou dévissez la vis de réglage (72) jusqu'à ce que la branche du rapporteur d'angle affleure avec la lame de scie sur toute sa longueur.
- Resserrez le levier de serrage (14).

Si les indicateurs d'angle (37) et (21) ne coïncident ensuite pas avec les marquages 45° de l'échelle graduée (36), revérifiez d'abord le réglage d'angle d'inclinaison 0° et les indicateurs d'angle. Réeffectuez ensuite le réglage de l'angle d'inclinaison de 45°.

Réglage de l'angle d'inclinaison standard de 45° (vers la droite)

- Placez l'outil électroportatif dans la position de travail.
- Tournez la table de sciage (42) jusqu'à l'encoche (15) 0°. Le levier (13) doit s'enclencher de manière perceptible dans l'encoche.

- Tirez la butée réglable de droite (6) complètement vers l'extérieur.
- Desserrez le levier de serrage (14).

- En agissant sur la poignée (1), basculez le bras coulissant légèrement vers la gauche à partir de la position 0° et tournez le bouton de réglage (43) jusqu'à ce que la plage d'angles d'inclinaison de droite soit indiquée.



- En agissant sur la poignée (1), basculez le bras coulissant jusqu'en butée vers la droite (45°).

Contrôle (voir figure W1)

- Réglez un rapporteur d'angle sur 135° et positionnez-le sur la table de sciage (42).

La branche du rapporteur doit affleurer avec la lame de scie (44) sur toute sa longueur.

Réglage (voir figure W2)

- À l'aide d'une clé plate (8 mm), vissez ou dévissez la vis de réglage (73) jusqu'à ce que la branche du rapporteur d'angle affleure avec la lame de scie sur toute sa longueur.
- Resserrez le levier de serrage (14).

Si les indicateurs d'angle (37) et (21) ne coïncident ensuite pas avec les marquages 45° de l'échelle graduée (36), revérifiez d'abord le réglage d'angle d'inclinaison 0° et les indicateurs d'angle. Réeffectuez ensuite le réglage de l'angle d'inclinaison de 45°.

Ajustage de l'échelle graduée pour angles d'onglet (dans le plan horizontal)

- Placez l'outil électroportatif dans la position de travail.
- Tournez la table de sciage (42) jusqu'à l'encoche (15) 0°. Le levier (13) doit s'enclencher de manière perceptible dans l'encoche.

Contrôle (voir figure X1)

- Réglez un rapporteur d'angle sur 90° et positionnez-le entre la butée (7) et la lame de scie (44) sur la table de sciage (42).

La branche du rapporteur doit affleurer avec la lame de scie (44) sur toute sa longueur.

Réglage (voir figure X2)

- Desserrez les quatre vis de réglage (74) à l'aide de la clé mâle pour vis à six pans creux (4 mm) (17) et faites tourner la table de sciage (42) avec l'échelle graduée (41) jusqu'à ce que la branche du rapporteur affleure avec la lame de scie sur toute la longueur.
- Resserrez les vis.

Si l'indicateur d'angle (64) ne coïncide ensuite pas avec le marquage 0° de l'échelle graduée (41), desserrez la vis (75) à l'aide d'un tournevis cruciforme et faites coïncider l'indicateur d'angle avec le marquage 0°.

Réglage de la force de serrage du levier de serrage (14) (voir figure Y)

il est possible de modifier la force de serrage du levier de serrage (14).

Contrôle

- La force de serrage du levier doit assurer le maintien en position du bras coulissant lors de toute coupe biaisée dans le plan vertical.

Réglage

- Desserrez le levier de serrage **(14)**.
- À l'aide d'une douille (17 mm), tournez la vis de réglage **(76)** dans le sens antihoraire pour réduire la force de serrage, ou dans le sens horaire pour augmenter la force de serrage.
- Réglez un angle d'inclinaison (dans le plan vertical), serrez le levier de serrage **(14)** et vérifiez si la force de serrage souhaitée a été atteinte.

Transport (voir figure Z)

Avant de transporter l'outil électroportatif, effectuez les opérations suivantes :

- Poussez le bras coulissant **(34)** à fond vers l'arrière et bloquez-le dans cette position.
 - Assurez-vous que la butée de profondeur **(28)** est complètement poussée vers l'intérieur et que la vis d'ajustage **(27)** peut passer à travers l'évidement sans toucher la butée de profondeur lors du déplacement du bras coulissant.
 - Abaissez le bras coulissant jusqu'à ce que la sécurité de transport **(35)** puisse être enfoncée complètement.
 - Poussez les rallonges de table de sciage **(8)** à fond vers l'intérieur.
 - Réglez un angle d'inclinaison (dans le plan vertical) de 0° et serrez le levier de serrage **(14)**.
 - Tournez la table de sciage **(42)** à fond vers la gauche et serrez le bouton de blocage **(12)**.
 - Enlevez tous les accessoires qui ne peuvent pas être fixés fermement à l'outil électroportatif et qui risquent donc de tomber.
 - Transportez, si possible, les lames de scie encore inutilisées dans un conteneur fermé.
 - Pour soulever ou transporter l'outil, saisissez-le par les poignées encastrées **(16)** placées de chaque côté de la table de sciage.
- **Pour transporter l'outil électroportatif, ne le saisissez jamais au niveau des dispositifs de protection, du bras coulissant ou de la poignée mais uniquement au niveau des dispositifs de transport.**

Entretien et service après-vente**Nettoyage et entretien**

- **Retirez l'accu de l'appareil électroportatif avant toute intervention (opérations d'entretien/de maintenance, changement d'accessoire, etc.) ainsi que lors de son transport et rangement.** Il y a sinon risque de blessure lorsqu'on appuie par mégarde sur l'interrupteur Marche/Arrêt.

► **Tenez toujours propres l'outil électroportatif ainsi que les fentes de ventilation afin d'obtenir un travail impeccable et sûr.**

Le capot de protection à mouvement pendulaire doit toujours pouvoir bouger librement et fermer automatiquement. Veillez pour cela à ce que le pourtour du capot de protection à mouvement pendulaire reste propre.

Après chaque opération de travail, enlevez les poussières et les copeaux à l'aide d'un pinceau ou en soufflant avec de l'air comprimé.

Nettoyez régulièrement le galet coulissant **(20)**.

Accessoires

	Référence
Sac à poussière	1 609 B05 010
Support de travail GTA 2500 W	0 601 B12 100
Support de travail GTA 2500 Compact	0 601 B12 400
Support de travail GTA 2600	0 601 B12 300
Support de travail GTA 3800	0 601 B24 000
3 601 M43 000 : Lames de scie pour bois, bois plaqués, panneaux de lambris et liteaux	
Standard for Wood 305 x 2,2/1,6 x 30 mm, 40 dents	2 608 837 741
Standard for Wood 305 x 2,2/1,6 x 30 mm, 60 dents	2 608 837 742
Standard for Wood 305 x 2,2/1,6 x 30 mm, 96 dents	2 608 837 744
Expert for Wood 305 x 2,2/1,6 x 30 mm, 42 dents	2 608 644 527
Expert for Wood 305 x 2,2/1,6 x 30 mm, 60 dents	2 608 644 528
Expert for Wood 305 x 2,2/1,6 x 30 mm, 96 dents	2 608 644 529
3 601 M43 000 : Lames de scie pour aluminium	
Standard for Aluminium 305 x 2,4/1,8 x 30 mm, 96 dents	2 608 837 782
Expert for Aluminium 305 x 2,4/1,8 x 30 mm, 96 dents	2 608 644 547
3 601 M43 000 : Lames de scie pour panneaux de fibrociment	
Expert for Fibre Cement 305 x 2,2/1,6 x 30 mm, 8 dents	2 608 644 559

Service après-vente et conseil utilisateurs

Notre Service après-vente répond à vos questions concernant la réparation et l'entretien de votre produit et les pièces de rechange. Vous trouverez des vues éclatées et des informations sur les pièces de rechange sur le site :

www.bosch-pt.com

L'équipe de conseil utilisateurs Bosch se tient à votre dispo-

sition pour répondre à vos questions concernant nos produits et leurs accessoires.

Pour toute demande de renseignement ou toute commande de pièces de rechange, précisez impérativement la référence à 10 chiffres figurant sur l'étiquette signalétique du produit.

Maroc

Robert Bosch Morocco SARL
53, Rue Lieutenant Mahroud Mohamed
20300 Casablanca
Tel.: +212 5 29 31 43 27
E-Mail : sav.outillage@ma.bosch.com

Vous trouverez d'autres adresses du service après-vente sous :

www.bosch-pt.com/serviceaddresses

Transport

Les accus Lithium-ion sont soumis à la réglementation relative au transport de matières dangereuses. Pour le transport par voie routière, aucune mesure supplémentaire n'a besoin d'être prise.

Lors d'une expédition par un tiers (par ex. transport aérien ou entreprise de transport), des mesures spécifiques doivent être prises concernant l'emballage et le marquage. Pour la préparation de l'envoi, faites-vous conseiller par un expert en transport de matières dangereuses.

N'expédiez que des accus dont le boîtier n'est pas endommagé. Recouvrez les contacts non protégés et emballez l'accu de manière à ce qu'il ne puisse pas se déplacer dans l'emballage. Veuillez également respecter les réglementations supplémentaires éventuellement en vigueur.

Élimination des déchets



Les outils électroportatifs, les accus ainsi que leurs accessoires et emballages doivent être rapportés dans un centre de recyclage respectueux de l'environnement.



Ne jetez pas les outils électroportatifs et les accus/piles avec les ordures ménagères !

Accus/piles :

Li-ion :

Veuillez respecter les indications se trouvant dans le chapitre Transport (voir « Transport », Page 50).

Português

Instruções de segurança

Indicações gerais de advertência para ferramentas eléctricas

⚠ AVISO

Devem ser lidas todas as indicações de segurança,

instruções, ilustrações e especificações desta ferramenta eléctrica. O desrespeito das instruções apresentadas abaixo poderá resultar em choque eléctrico, incêndio e/ou ferimentos graves.

Guarde bem todas as advertências e instruções para futura referência.

O termo "ferramenta eléctrica" utilizado a seguir nas indicações de advertência, refere-se a ferramentas eléctricas operadas com corrente de rede (com cabo de rede) e a ferramentas eléctricas operadas com acumulador (sem cabo de rede).

Segurança da área de trabalho

- ▶ **Mantenha a sua área de trabalho sempre limpa e bem iluminada.** Desordem ou áreas de trabalho insuficientemente iluminadas podem levar a acidentes.
- ▶ **Não trabalhar com a ferramenta eléctrica em áreas com risco de explosão, nas quais se encontrem líquidos, gases ou pós inflamáveis.** Ferramentas eléctricas produzem faíscas, que podem inflamar pós ou vapores.
- ▶ **Manter crianças e outras pessoas afastadas da ferramenta eléctrica durante a utilização.** No caso de distração é possível que perca o controlo sobre o aparelho.

Segurança eléctrica

- ▶ **A ficha de conexão da ferramenta eléctrica deve caber na tomada. A ficha não deve ser modificada de maneira alguma. Não utilizar uma ficha de adaptação junto com ferramentas eléctricas protegidas por ligação à terra.** Fichas não modificadas e tomadas apropriadas reduzem o risco de um choque eléctrico.
- ▶ **Evitar que o corpo possa entrar em contacto com superfícies ligadas à terra, como tubos, aquecimentos, fogões e frigoríficos.** Há um risco elevado devido a choque eléctrico, se o corpo estiver ligado à terra.
- ▶ **Manter o aparelho afastado de chuva ou humidade.** A infiltração de água numa ferramenta eléctrica aumenta o risco de choque eléctrico.
- ▶ **Não deverá utilizar o cabo para outras finalidades. Nunca utilizar o cabo para transportar a ferramenta eléctrica, para pendurá-la, nem para puxar a ficha da tomada. Manter o cabo afastado do calor, do óleo, de arestas afiadas ou de peças em movimento.** Cabos danificados ou emaranhados aumentam o risco de um choque eléctrico.

- ▶ **Se trabalhar com uma ferramenta eléctrica ao ar livre, só deverá utilizar cabos de extensão apropriados para áreas exteriores.** A utilização de um cabo de extensão apropriado para áreas exteriores reduz o risco de um choque eléctrico.
- ▶ **Se não for possível evitar o funcionamento da ferramenta eléctrica em áreas húmidas, deverá ser utilizado um disjuntor de corrente de avaria.** A utilização de um disjuntor de corrente de avaria reduz o risco de um choque eléctrico.

Segurança de pessoas

- ▶ **Esteja atento, observe o que está a fazer e tenha prudência ao trabalhar com a ferramenta eléctrica. Não utilizar uma ferramenta eléctrica quando estiver fatigado ou sob a influência de drogas, álcool ou medicamentos.** Um momento de descuido ao utilizar a ferramenta eléctrica, pode levar a lesões graves.
- ▶ **Utilizar equipamento de protecção individual. Utilizar sempre óculos de protecção.** A utilização de equipamento de protecção pessoal, como máscara de protecção contra pó, sapatos de segurança antiderrapantes, capacete de segurança ou protecção auricular, de acordo com o tipo e aplicação da ferramenta eléctrica, reduz o risco de lesões.
- ▶ **Evitar uma colocação em funcionamento involuntária. Assegure-se de que a ferramenta eléctrica esteja desligada, antes de conectá-la à alimentação de rede e/ou ao acumulador, antes de levantá-la ou de transportá-la.** Se tiver o dedo no interruptor ao transportar a ferramenta eléctrica ou se o aparelho for conectado à alimentação de rede enquanto estiver ligado, poderão ocorrer acidentes.
- ▶ **Remover ferramentas de ajuste ou chaves de boca antes de ligar a ferramenta eléctrica.** Uma ferramenta ou chave que se encontre numa parte do aparelho em movimento pode levar a lesões.
- ▶ **Evite uma posição anormal. Mantenha uma posição firme e mantenha sempre o equilíbrio.** Desta forma é mais fácil controlar a ferramenta eléctrica em situações inesperadas.
- ▶ **Usar roupa apropriada. Não usar roupa larga nem jóias. Mantenha os cabelos e roupas afastados de peças em movimento.** Roupas frouxas, cabelos longos ou jóias podem ser agarrados por peças em movimento.
- ▶ **Se for possível montar dispositivos de aspiração ou de recolha, assegure-se de que estejam conectados e utilizados correctamente.** A utilização de uma aspiração de pó pode reduzir o perigo devido ao pó.
- ▶ **Não deixe que a familiaridade resultante de uma utilização frequente de ferramentas permita que você se torne complacente e ignore os princípios de segurança da ferramenta.** Uma acção descuidada pode causar ferimentos graves numa fracção de segundo.

Utilização e manuseio cuidadoso de ferramentas eléctricas

- ▶ **Não sobrecarregue a ferramenta eléctrica. Utilize a ferramenta eléctrica apropriada para o seu trabalho.** É melhor e mais seguro trabalhar com a ferramenta eléctrica apropriada na área de potência indicada.
 - ▶ **Não utilizar uma ferramenta eléctrica com um interruptor defeituoso.** Uma ferramenta eléctrica que não pode mais ser ligada nem desligada, é perigosa e deve ser reparada.
 - ▶ **Puxar a ficha da tomada e/ou remover o acumulador, se amovível, antes de executar ajustes na ferramenta eléctrica, de substituir acessórios ou de guardar as ferramentas eléctricas.** Esta medida de segurança evita o arranque involuntário da ferramenta eléctrica.
 - ▶ **Guardar ferramentas eléctricas não utilizadas fora do alcance de crianças e não permitir que as pessoas que não estejam familiarizadas com o aparelho ou que não tenham lido estas instruções utilizem o aparelho.** Ferramentas eléctricas são perigosas se forem utilizadas por pessoas inexperientes.
 - ▶ **Tratar a ferramenta eléctrica e os acessórios com cuidado. Controlar se as partes móveis do aparelho funcionam perfeitamente e não emperram, e se há peças quebradas ou danificadas que possam prejudicar o funcionamento da ferramenta eléctrica. Permitir que peças danificadas sejam reparadas antes da utilização.** Muitos acidentes têm como causa, a manutenção insuficiente de ferramentas eléctricas.
 - ▶ **Manter as ferramentas de corte afiadas e limpas.** Ferramentas de corte cuidadosamente tratadas e com cantos de corte afiados emperram com menos frequência e podem ser conduzidas com maior facilidade.
 - ▶ **Utilizar a ferramenta eléctrica, acessórios, ferramentas de aplicação, etc. conforme estas instruções. Considerar as condições de trabalho e a tarefa a ser executada.** A utilização de ferramentas eléctricas para outras tarefas a não ser as aplicações previstas, pode levar a situações perigosas.
 - ▶ **Mantenha os punhos e as superfícies de agarrar secas, limpas e livres de óleo e massa consistente.** Punhos e superfícies de agarrar escorregadias não permitem o manuseio e controle seguros da ferramenta em situações inesperadas.
- #### Manuseio e utilização cuidadosos de ferramentas com acumuladores
- ▶ **Só carregar acumuladores em carregadores recomendados pelo fabricante.** Há perigo de incêndio se um carregador apropriado para um certo tipo de acumuladores for utilizado para carregar acumuladores de outros tipos.
 - ▶ **Só utilizar ferramentas eléctricas com os acumuladores apropriados.** A utilização de outros acumuladores pode levar a lesões e perigo de incêndio.
 - ▶ **Manter o acumulador que não está sendo utilizado afastado de cliques, moedas, chaves, parafusos ou**

outros pequenos objectos metálicos que possam causar um curto-circuito dos contactos. Um curto-circuito entre os contactos do acumulador pode ter como consequência queimaduras ou fogo.

- ▶ **No caso de aplicação incorrecta pode vaziar líquido do acumulador. Evitar o contacto. No caso de um contacto accidental, deverá enxaguar com água. Se o líquido entrar em contacto com os olhos, também deverá consultar um médico.** Líquido que escapa do acumulador pode levar a irritações da pele ou a queimaduras.
- ▶ **Não use um acumulador ou uma ferramenta danificada ou modificada.** Os acumuladores danificados ou modificados exibem um comportamento imprevisível podendo causar incêndio, explosão ou risco de lesão.
- ▶ **Não exponha o acumulador ou a ferramenta ao fogo ou temperatura excessiva.** A exposição ao fogo ou a temperaturas acima de 130 °C pode causar explosão.
- ▶ **Siga todas as instruções de carregamento e não carregue o acumulador ou a ferramenta fora da faixa de temperatura especificada no manual de instruções.** Carregar indevidamente ou em temperaturas fora da faixa especificada pode danificar o acumulador e aumentar o risco de incêndio.

Serviço



- ▶ **Só permita que o seu aparelho seja reparado por pessoal especializado e qualificado e só com peças de reposição originais.** Desta forma é assegurado o funcionamento seguro do aparelho.
- ▶ **Nunca tente reparar acumuladores danificados.** A reparação de acumuladores deve ser realizada apenas pelo fabricante ou agentes de assistência autorizados.


Indicações de segurança para serras de meia-esquadria

- ▶ **As serras de meia-esquadria destinam-se ao corte de produtos de madeira ou semelhantes a madeira e não podem ser usadas com discos abrasivos de corte para cortar material ferroso como barras, varas, hastes, etc.** O pó abrasivo causa o emperramento de peças móveis como, p. ex., a proteção inferior. As faíscas resultantes do corte abrasivo queimam a proteção inferior, o entalhe ou outras partes de plástico.
- ▶ **Sempre que possível, use grampos para segurar a peça de trabalho. Ao segurar a peça de trabalho com a mão, mantenha sempre a mão pelo menos 100 mm afastada de cada lado do disco de serra. Não utilize esta serra para cortar peças que são demasiado pequenas para serem presas de forma segura com grampos ou com a mão.** Se a sua mão estiver demasiado próxima do disco de serra, existe um risco elevado de ferimentos através do contacto com disco de serra.
- ▶ **A peça de trabalho tem de estar imóvel e fixa ou ser pressionada contra o batente e a mesa. Não empurre a peça de trabalho para o disco de serra, nem nunca corte em modo "mãos livres".** As peças de trabalho

solta ou móveis podem ser projetadas a alta velocidade e causar ferimentos.

- ▶ **Empurre a serra através da peça de trabalho. Não puxe a serra através da peça de trabalho. Para fazer um corte, levante a cabeça da serra e puxe-a por cima da peça de trabalho sem a cortar, ligue o motor, pressione a cabeça da serra para baixo e empurre a serra através da peça de trabalho.** Ao efetuar um corte a puxar, existe o perigo de o disco de serra subir a peça de trabalho e fazer com que a unidade do disco de serra seja projetada com violência contra o utilizador.
- ▶ **Nunca passe a mão sobre a linha de corte pretendida, nem atrás do disco de serra.** Segurar a peça de trabalho com as "mãos cruzadas", ou seja, segurar a peça de trabalho à direita do disco de corte com a mão esquerda ou vice-versa é muito perigoso.
- ▶ **Nunca introduza as mãos atrás do batente, nem despreze a distância de segurança de 100 mm entre a mão e o disco de serra em rotação (aplica-se a ambos os lados do disco de corte com a mão esquerda aparas de madeira).** A proximidade entre o disco de serra em rotação e a sua mão pode não ser tão perceptível e pode magoar-se seriamente.
- ▶ **Inspeccione a peça de trabalho antes de efetuar o corte. Se a peça de trabalho estiver arqueada ou empenada, fixe-a com a face arqueada virada para o batente. Certifique-se sempre de que não existe uma folga entre a peça de trabalho, o batente e a mesa ao longo da linha de corte.** As peças de trabalho arqueadas ou empenadas podem virar-se ou emperrar e causar o bloqueio do disco de corte. A peça de trabalho deve estar livre de pregos e objetos estranhos.
- ▶ **Utilize a serra só depois de a mesa estar livre de ferramentas, aparas, etc., apenas pode estar a peça de trabalho em cima da mesa.** Pequenos desperdícios, peças de madeira soltas ou outros objetos que entrem em contacto com o disco de serra podem ser projetados a alta velocidade.
- ▶ **Corte apenas uma peça de trabalho de cada vez.** Não é possível fixar ou segurar adequadamente peças de trabalho empilhadas e as mesmas podem causar um bloqueio do disco ou deslocar-se durante o corte.
- ▶ **Certifique-se de que a serra de meia-esquadria está montada ou colocada sobre uma superfície de trabalho nivelada e estável antes de a utilizar.** Uma superfície de trabalho nivelada e estável reduz o risco de a serra de meia-esquadria se tornar instável.
- ▶ **Planeie o seu trabalho. Sempre que alterar a inclinação do disco de serra ou o ângulo de meia-esquadria, certifique-se de que o batente ajustável está ajustado corretamente para apoiar a peça de trabalho e de que este não interfere com o disco ou com o sistema de proteção.** Sem ligar a ferramenta e sem peça de trabalho sobre a mesa, mova o disco de serra simulando um corte completo para assegurar que não irá haver qualquer interferência ou perigo de cortar o batente.

- ▶ **No caso de peças de trabalho mais largas ou compridas do que a mesa, providencie um suporte adequado através de extensões ou cavaletes, etc.** As peças de trabalho mais largas ou compridas do que a mesa da serra de meia-esquadria podem tombar quando não estão bem apoiadas. Se a peça cortada ou a peça de trabalho tombar, ela pode levantar a proteção inferior ou ser projetada descontroladamente pelo disco de serra.
 - ▶ **Não peça a outra pessoa para servir de extensão de mesa ou de suporte adicional.** Um suporte instável para a peça de trabalho pode bloquear o disco de serra ou o deslocamento da peça de trabalho durante a operação de corte, fazendo com que o operador e o ajudante sejam puxados para o disco.
 - ▶ **A peça de corte não pode em qualquer circunstância ser entalada ou pressionada contra o disco de serra em rotação.** Em caso de pouco espaço, p. ex. ao usar batentes longitudinais, a peça cortada pode ficar entalada contra o disco e ser projetada com violência.
 - ▶ **Utilize sempre um grampo ou um dispositivo de fixação adequado para apoiar adequadamente material redondo como varas e tubos.** As varas têm tendência a rolar durante o corte, fazendo com que o disco "emperre" e puxe a peça com a sua mão para o disco.
 - ▶ **Deixe que o disco alcance a velocidade plena antes de começar a cortar a peça de trabalho.** Tal irá reduzir o risco de projeção da peça de trabalho.
 - ▶ **Se a peça de trabalho ou o disco ficarem encravados, desligue a serra de meia-esquadria. Espere até que todas as partes móveis parem e desligue a ficha da tomada e/ou retire o acumulador. Depois tente libertar o material encravado.** Continuar a serrar com uma peça de trabalho entalada pode causar perda de controlo ou danos na serra de meia-esquadria.
 - ▶ **Depois de terminar o corte, solte o interruptor, mantenha a cabeça da serra em baixo e aguarde que o disco pare antes de retirar a peça cortada.** É muito perigoso colocar a mão próxima do disco a rodar livremente.
 - ▶ **Segure bem o punho ao fazer um corte incompleto ou ao soltar o interruptor antes de a cabeça da serra estar completamente na posição inferior.** O efeito de travagem da serra pode fazer com que a cabeça da serra seja puxada abruptamente para baixo, causando risco de ferimentos.
 - ▶ **Não solte o punho quando a cabeça da serra tiver atingido a posição inferior. Desloque a cabeça da serra sempre à mão de volta à posição superior.** Se mover a cabeça da serra sem controlo, pode originar um risco de ferimentos.
 - ▶ **Mantenha o local de trabalho limpo.** As misturas de materiais são muito perigosas. Pó de metal leve pode queimar ou explodir.
 - ▶ **Não utilizar lâminas de serra embotadas, rachadas, empenadas ou danificadas. Lâminas de serra com dentes embotados ou incorretamente alinhados causam um atrito maior, um contragolpe e emperram devido à fenda de corte apertada.**
 - ▶ **Não utilizar lâminas de serra de aço de alta liga para trabalhos rápidos (aço HSS).** Estes discos de serra podem quebrar facilmente.
 - ▶ **Utilize sempre discos de serra com furos interiores de tamanho e forma corretos (diamante versus redondo).** Os discos de serra que não coincidam com o hardware de montagem da serra ficam descentrados, causando perda de controlo.
 - ▶ **Jamais remover resíduos de corte, aparas ou objetos semelhantes da área de corte, enquanto a ferramenta elétrica estiver a funcionar.** Sempre conduzir primeiramente o braço da ferramenta para a posição de repouso e desligar a ferramenta.
 - ▶ **Não toque no disco de serra após o trabalho, espere que este arrefeça.** O disco de serra torna-se extremamente quente durante o trabalho.
 - ▶ **Em caso de danos e de utilização incorreta da bateria, podem escapar vapores. A bateria pode incendiar-se ou explodir.** Areje o espaço e procure assistência médica no caso de apresentar queixas. É possível que os vapores irrite as vias respiratórias.
 - ▶ **Não abrir o acumulador.** Há risco de um curto-circuito.
 - ▶ **Os objetos afiados como, p. ex., pregos ou chaves de fendas, assim como o efeito de forças externas podem danificar o acumulador.** Podem causar um curto-circuito interno e o acumulador pode ficar queimado, deitar fumo, explodir ou sobreaquecer.
 - ▶ **Use a bateria apenas em produtos do fabricante.** Só assim é que a bateria é protegida contra sobrecarga perigosa.
- 


Proteger a bateria contra calor, p. ex. também contra uma permanente radiação solar, fogo, sujidade, água e humidade. Há risco de explosão ou de um curto-circuito.
- ▶ **Jamais permita que as placas de advertência na ferramenta elétrica se tornem irreconhecíveis.**
 - ▶ **A ferramenta elétrica é fornecida com uma placa de advertência laser (consulte a tabela "Símbolos e seus significados").**
- 

Não apontar o raio laser na direção de pessoas nem de animais e não olhar para o raio laser direto ou reflexivo. Desta forma poderá encandear outras pessoas, causar acidentes ou danificar o olho.
- ▶ **Se um raio laser acertar no olho, fechar imediatamente os olhos e desviar a cabeça do raio laser.**
 - ▶ **Não utilize instrumentos de aumento ótico como binóculos, etc. para observar a fonte do feixe laser.** Pode causar lesões nos olhos.
 - ▶ **Não oriente o feixe laser para pessoas que estão a olhar através de binóculos ou de um instrumento**

semelhante. Pode causar lesões nos olhos dessas pessoas.

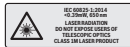
- ▶ **Não efetue alterações no dispositivo laser.** Pode utilizar sem perigo as possibilidades de ajuste descritas neste manual de instruções.
- ▶ **Não use os óculos para laser (acessório) como óculos de proteção.** Os óculos para laser servem para ver melhor o feixe de orientação a laser; mas não protegem contra radiação laser.
- ▶ **Não use os óculos para laser (acessório) como óculos de sol ou no trânsito.** Os óculos para laser não providenciam uma proteção UV completa e reduzem a percepção de cores.
- ▶ **Cuidado – O uso de dispositivos de operação ou de ajuste diferentes dos especificados neste documento ou outros procedimentos podem resultar em exposição perigosa à radiação.**
- ▶ **Não substituir o laser montado por um laser de outro tipo.** Um laser não apropriado para esta ferramenta elétrica pode ser perigoso para pessoas.
- ▶ **Cuidado! A utilização da ferramenta elétrica com Bluetooth® pode dar origem a avarias noutros aparelhos e instalações, aviões e dispositivos médicos (p. ex. pacemakers, aparelhos auditivos). Do mesmo modo, não é possível excluir totalmente danos para pessoas e animais que se encontrem nas proximidades imediatas. Não utilize a ferramenta elétrica com Bluetooth® na proximidade de dispositivos médicos, postos de abastecimento de combustível, instalações químicas, áreas com perigo de explosão e zonas de demolição. Não utilize a ferramenta elétrica com Bluetooth® em aviões. Evite a operação prolongada em contacto direto com o corpo.**

A marca nominativa *Bluetooth®* tal como o símbolo (logótipo), são marcas registadas e propriedade da Bluetooth SIG, Inc. Qualquer utilização desta marca nominativa/deste símbolo por parte da Robert Bosch Power Tools GmbH possui a devida autorização.

Símbolos

Os seguintes símbolos podem ser importantes para a utilização da sua ferramenta elétrica. Os símbolos e os seus significados devem ser memorizados. A interpretação correta dos símbolos facilita a utilização segura e aprimorada da ferramenta elétrica.

Símbolos e seus significados



Raio laser
Não olhar diretamente com óticas telescópicas
Classe de laser 1M



Mantenha as mãos afastadas da área de corte enquanto a ferramenta elétrica estiver em funcionamento. Há perigo de ferimentos se houver contacto com o disco de serra.

Símbolos e seus significados



Use uma máscara de proteção contra pó.



Use óculos de proteção.



Use proteção auditiva. Ruídos podem provocar a surdez.



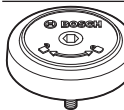
Área perigosa! Manter as mãos, os dedos e os braços afastados desta área.



Os seus dedos não devem entrar em contacto com as peças móveis do braço de deslize. Os dedos podem ser esmagados e podem sofrer lesões graves.



Observe as dimensões do disco de serra. Não deve haver folga entre o diâmetro do orifício e o veio da ferramenta. Se for necessária a utilização de peças redutoras, certifique-se de que as dimensões da peça redutora são adequadas para a espessura da base do disco e ao diâmetro do furo do disco de serra, assim como o diâmetro do veio da ferramenta. Se possível, utilize a peça redutora fornecida juntamente com o disco de serra. O diâmetro do disco de serra tem de corresponder à indicação no símbolo.



Mostra o sentido de rotação do perno SDS para apertar (para a esquerda) e para soltar (para a direita) o disco de serra.



Para ser transportada, deverá sempre segurar a ferramenta elétrica pelas posições marcadas (cavidades) ou pelo punho de transporte.



Nunca transporte a ferramenta elétrica pelo punho do braço de deslize.

Símbolos e seus significados



Com ângulos de meia-esquadria verticais é necessário deslocar o prolongamento da calha batente esquerdo ou direito ou removê-lo totalmente.



O novo motor de alto desempenho oferece em combinação com as baterias ProCORE-18V uma potência comparável à dos motores das ferramentas elétricas com cabo.



Punho de aperto aberto:
Podem ser ajustados ângulos de meia-esquadria verticais.

Punho de aperto fechado:
O ângulo de meia-esquadria vertical ajustado no braço de deslize é mantido.



Indica os passos individuais para ajustar o ângulo de meia-esquadria vertical.

1. Soltar o punho de aperto
2. Rodar o braço de deslize ligeiramente para a esquerda
3. Ajustar a faixa de ângulo de meia-esquadria vertical desejada no manípulo rotativo



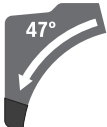
Ajustar as faixas de ângulos de meia-esquadria verticais no manípulo rotativo:



Inclinação do disco de serra para a esquerda (45° ... 0°)



Inclinação do disco de serra para a direita (0° ... 45°)



Ângulo de giro total do braço de deslize (-47° ... +47°)

Descrição do produto e do serviço



Leia todas as instruções de segurança e instruções. A inobservância das instruções de segurança e das instruções pode causar choque elétrico, incêndio e/ou ferimentos graves.

Respeite as figuras na parte da frente do manual de instruções.

Utilização adequada

A ferramenta elétrica é destinada à utilização como aparelho estacionário, para cortes longitudinais e transversais, retos, em madeira. São possíveis ângulos de meia-esquadria horizontais de -52° a +60° e ângulos de meia-esquadria verticais de 47° (lado esquerdo) a 47° (lado direito).

A potência da ferramenta elétrica é apropriada para serrar madeiras duras e macias, assim como também placas de aglomerado de madeira e de fibras.

Utilizando os discos de serra é possível serrar perfis de alumínio e de plástico.

Os dados e as definições da ferramenta elétrica podem ser transmitidos entre ferramenta e o aparelho terminal móvel através do *Bluetooth*® Low Energy Module **GCY 42** via tecnologia de radiotransmissão *Bluetooth*®.

Componentes ilustrados

A numeração dos componentes ilustrados refere-se à apresentação da ferramenta elétrica na página de esquemas.

- (1) Punho
- (2) Bloqueio de ligação para o interruptor de ligar/desligar
- (3) Interface de utilizador
- (4) Tampa de proteção
- (5) Cobertura de proteção pendular
- (6) Carril limitador móvel
- (7) Carril limitador
- (8) Prolongamento da mesa de serra
- (9) Furos para montagem
- (10) Suporte com os contornos da ferramenta
- (11) Grampo de travamento
- (12) Manípulo de fixação para qualquer ângulo de meia-esquadria (horizontal)
- (13) Alavanca para pré-ajuste do ângulo de meia-esquadria (horizontal)
- (14) Punho de aperto para qualquer ângulo de meia-esquadria (vertical)
- (15) Entalhes para ângulos de meia-esquadria padrões (horizontal)
- (16) Cavidades de pega
- (17) Chave sextavada interior (6 mm/4 mm)
- (18) Chave sextavada interior (2 mm)
- (19) Grampo
- (20) Rolo de deslize
- (21) Indicador de ângulo para faixa de ângulo de meia-esquadria à direita (0° até 47°) (vertical)
- (22) Defletor de limalhas
- (23) Pernos SDS
- (24) Expulsão de aparas
- (25) Alavanca de aperto do mecanismo de deslize
- (26) Adaptador de aspiração
- (27) Parafuso de ajuste do limitador de profundidade
- (28) Batente de profundidade
- (29) Placa de advertência laser
- (30) Capa de proteção contra laser

- (31) Cobertura *Bluetooth*[®] Low Energy Module GCY 42
- (32) Bateria^{a)}
- (33) Tecla de desbloqueio da bateria^{a)}
- (34) Braço de deslize
- (35) Proteção de transporte
- (36) Escala para ângulo de meia-esquadria (vertical)
- (37) Indicador de ângulo para faixa de ângulo de meia-esquadria à esquerda (47° até 0°) (vertical)
- (38) Botão de regulação para ângulo de meia-esquadria de 22,5° (vertical)
- (39) Parafuso de travamento do batente longitudinal
- (40) Batente longitudinal
- (41) Escala para ângulo de meia-esquadria (horizontal)
- (42) Mesa de serra
- (43) Manipulador rotativo para ajustar a faixa de ângulo de meia-esquadria (vertical)
- (44) Lâmina de serra
- (45) Abertura para saída do raio laser
- (46) Indicador do nível de carga da bateria (interface de utilizador)
- (47) Indicação modo ECO (interface de utilizador)
- (48) Tecla para a pré-seleção da velocidade de rotação (interface de utilizador)
- (49) Indicação nível de rotação/modo (interface de utilizador)
- (50) Indicação Smartphone (interface de utilizador)
- (51) Indicação de estado da ferramenta elétrica (interface de utilizador)
- (52) Indicação temperatura (interface de utilizador)
- (53) Bloqueio do veio
- (54) Parafuso de sextavado interior para fixação do disco de serra
- (55) Flange de aperto
- (56) Flange de aperto interior
- (57) Alavanca de aperto do prolongamento da mesa de serra
- (58) Parafuso de travamento do carril limitador móvel
- (59) Amortecedor
- (60) Parafusos de ajuste para o amortecimento
- (61) Furos para grampos
- (62) Parafuso de orelhas
- (63) Haste roscada
- (64) Indicador de ângulo para ângulo de meia-esquadria (horizontal)
- (65) Interruptor de ligar/desligar
- (66) Parafusos para o suporte com os contornos da ferramenta
- (67) Parafuso de aperto do batente longitudinal
- (68) Parafusos de ajuste para o posicionamento do laser (nivelamento)
- (69) / Parafusos de ajuste para o ajuste básico de 0°
- (70) / (ângulo de meia-esquadria vertical)
- (71)
- (72) Parafuso de ajuste para o ajuste básico de 45° (ângulo esquerdo de meia-esquadria vertical)
- (73) Parafuso de ajuste para o ajuste básico de 45° (ângulo direito de meia-esquadria vertical)
- (74) Parafusos de ajuste da escala para ângulo de meia-esquadria (horizontal)
- (75) Parafuso para indicador de ângulo (horizontal)
- (76) Parafuso de ajuste para a força de aperto do punho de aperto para qualquer ângulo de meia-esquadria (vertical)

a) **Acessórios apresentados ou descritos não pertencem ao volume de fornecimento padrão. Todos os acessórios encontram-se no nosso programa de acessórios.**

Dados técnicos

Serra para painéis	GCM 18V-305 GDC	
Número de produto		3 601 M43 0..
Tensão nominal	V=	18
N.º de rotações em vazio ^{A)}	r.p.m.	3000–4000
N.º de rotações em vazio no modo ECO ^{A)}	r.p.m.	2550
Tipo de laser	nm	650
	mW	< 1
Classe de laser		1M
Divergência Linha laser	mrاد (ângulo completo)	1,0
Peso conforme EPTA-Procedure 01:2014 ^{B)}	kg	26,9–27,8
Temperatura ambiente recomendada durante o carregamento	°C	0 ... +35
Temperatura ambiente admissível em funcionamento ^{C)} e durante o armazenamento	°C	-20 ... +50
Baterias recomendadas		GBA 18V... ProCORE18V...
Carregadores recomendados		GAL 18... GAX 18... GAL 36...
Transmissão de dados		
<i>Bluetooth</i> [®]		<i>Bluetooth</i> [®] 4.2 (Low Energy) ^{D)}
Distância do sinal	s	8
Alcance máximo do sinal ^{E)}	m	30

Serra para painéis GCM 18V-305 GDC**Medidas de discos de serra apropriados**

Diâmetro do disco de serra	mm	305
Espessura da base do disco	mm	1,7-2,6
Largura de corte máx.	mm	3,2
Diâmetro do furo	mm	30

- A) Medido a 20–25 °C com bateria **ProCORE18V 8.0Ah**.
- B) Dependendo da bateria utilizada
- C) potência limitada com temperaturas <0 °C
- D) Os aparelhos terminais móveis têm de ser compatíveis com os aparelhos Low Energy *Bluetooth*® (versão 4.2) e suportar o Generic Access Profile (GAP).
- E) O raio de ação pode variar substancialmente em função das condições externas, incluindo do aparelho recetor utilizado. Dentro de recintos fechados e através de barreiras metálicas (p. ex. paredes, prateleiras, malas, etc.) o raio de ação do *Bluetooth*® pode ser claramente menor.

Dimensões admissíveis da peça a ser trabalhada (máxima/mínima): (ver "Dimensões admissíveis da peça a ser trabalhada", Página 64)

Informação sobre ruídos

Os valores de emissão de ruído foram determinados de acordo com **EN 62841-3-9**.

O nível sonoro avaliado como A da ferramenta elétrica é normalmente de: nível de pressão sonora **93 dB(A)**; nível de potência sonora **106 dB(A)**. Incerteza K = 3 dB.

Utilizar proteção auditiva!

O nível de emissões sonoras indicado nestas instruções de serviço foi medido de acordo com um processo de medição normalizado e pode ser utilizado para a comparação de ferramentas elétricas. Ele também é apropriado para uma avaliação provisória da emissão sonora.

O nível de emissões sonoras indicado representa as aplicações principais da ferramenta elétrica. Se a ferramenta elétrica for utilizada para outras aplicações, com outras ferramentas de trabalho ou com manutenção insuficiente, é possível que o nível de emissões sonoras seja diferente. Isto pode aumentar sensivelmente a emissão sonora para o período completo de trabalho.

Para uma estimativa exata da emissão sonora, também deveriam ser considerados os períodos nos quais o aparelho está desligado ou funciona, mas não está sendo utilizado. Isto pode reduzir a emissão sonora durante o completo período de trabalho.

Montagem

- ▶ **A bateria deverá ser retirada antes de todos os trabalhos na ferramenta elétrica (p. ex. manutenção, troca de ferramenta etc.) e antes de transportar ou de armazenar a mesma.** Há perigo de ferimentos se o interruptor de ligar/desligar for acionado involuntariamente.

Volume de fornecimento

Observe a este respeito a figura do material a fornecer no início do manual de instruções.

Antes de colocar a ferramenta elétrica em funcionamento pela primeira vez, deverá verificar se todas as peças especificadas abaixo foram fornecidas:

- Serra de meia-esquadria telescópica com disco de serra montado (**44**)
- Manipulo de fixação (**12**)
- Chave sextavada interior (**17**)
- Chave sextavada interior (**18**)
- Grampo (**19**)
- Pernos SDS (**23**)
- Saco de pó

Nota: verifique se a ferramenta elétrica apresenta danos. Antes de continuar a utilizar a ferramenta elétrica, deverá controlar cuidadosamente todos os dispositivos de segurança e peças levemente danificadas e verificar se estão a funcionar corretamente. Verifique se as peças móveis funcionam perfeitamente e não emperram, ou se há peças danificadas. Todas as peças devem ser montadas corretamente e corresponder a todas exigências, para que seja assegurado um funcionamento impecável. Dispositivos de segurança e peças danificados devem ser devidamente reparados ou substituídos por uma oficina especializada.

Ferramentas necessárias além das fornecidas:

- Chave de estrela
- Chave de bocas (tamanho: 8 mm)
- Chave anelar, de bocas ou de caixa (tamanhos: 10 mm e 17 mm)

Ativar *Bluetooth*® Low Energy Module GCY 42

Para informações acerca do *Bluetooth*® Low Energy Module **GCY 42** leia as respetivas instruções de utilização.

Ativar a pilha botão

- Remova a cobertura do módulo *Bluetooth*® Low Energy Module **GCY 42** (**31**).
- Remova o isolamento entre a pilha botão e o módulo *Bluetooth*® Low Energy Module **GCY 42**.
- Feche a cobertura (**31**) para que não entre sujidade.

- ▶ **Remova a cobertura para o *Bluetooth*® Low Energy Module GCY 42 na ferramenta elétrica p. ex. com a chave de parafusos ou uma moeda grande.** A utilização de objetos inadequados pode provocar danos na eletrónica ou na cobertura.

Carregar a bateria

- ▶ **Utilize apenas os carregadores listados nos dados técnicos.** Só estes carregadores são apropriados para as baterias de lítio utilizadas para a sua ferramenta elétrica.

Nota: A bateria é fornecida parcialmente carregada. Para assegurar a completa potência da bateria, a bateria deverá ser carregada completamente no carregador antes da primeira utilização.

A bateria de lítio pode ser carregada a qualquer altura, sem que a sua vida útil seja reduzida. Uma interrupção do processo de carga não danifica a bateria.

O acumulador de iões de lítio está protegido contra descarga completa pelo sistema "Electronic Cell Protection (ECP)". A ferramenta elétrica é desligada através de um disjuntor de proteção, logo que o acumulador estiver descarregado. A ferramenta de trabalho não se movimenta mais.

► **Não continuar a premir o interruptor de ligar/desligar após o desligamento automático da ferramenta elétrica.** A bateria pode ser danificada.

Observe as indicações sobre a eliminação de forma ecológica.


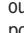
Retirar a bateria

A bateria (32) possui dois níveis de travamento, que devem evitar, que a bateria caia, caso a tecla de desbloqueio da bateria (33) seja premida por acaso. Enquanto a bateria estiver dentro da ferramenta elétrica, ela é mantida em posição por uma mola.

Para retirar a bateria pressione a tecla de desbloqueio e puxe a bateria para a retirar da ferramenta elétrica. **Não empregar força.**

Indicador do nível de carga da bateria

Os LEDs verdes do indicador do nível de carga da bateria indicam o nível de carga da bateria. Por motivos de segurança, a consulta do nível de carga só é possível com a ferramenta elétrica parada.

Prima a tecla para o indicador do nível de carga da bateria  ou  para visualizar o nível de carga. Isto também é possível com a bateria removida.

Se, depois de premir a tecla para o indicador do nível de carga da bateria, não se acender qualquer LED, a bateria tem defeito e tem de ser substituída.

Nota: O nível de carga da bateria é indicado na interface do utilizador (3).

Tipo de bateria GBA 18V...



LEDs	Capacidade
Luz permanente 3× verde	60–100 %
Luz permanente 2× verde	30–60 %
Luz permanente 1× verde	5–30 %
Luz intermitente 1× verde	0–5 %

Tipo de bateria ProCORE18V...



LEDs	Capacidade
Luz permanente 5× verde	80–100 %
Luz permanente 4× verde	60–80 %
Luz permanente 3× verde	40–60 %
Luz permanente 2× verde	20–40 %
Luz permanente 1× verde	5–20 %
Luz intermitente 1× verde	0–5 %

Montagem de componentes individuais

- Retire todas as peças fornecidas cuidadosamente das respetivas embalagens.
- Remova todo o material de embalagem da ferramenta elétrica e dos acessórios fornecidos.

Montar o manípulo de fixação (ver figura a)

- Aparafuse o manípulo de fixação (12) no respetivo orifício por cima da alavanca (13).

► **Aperte sempre bem o manípulo de fixação (12) antes de serrar.** Caso contrário o disco de serra poderá emperrar na peça a ser trabalhada.

Montagem estacionária ou flexível

► **Para assegurar um manuseio seguro, é necessário que, antes da utilização, a ferramenta elétrica seja montada sobre uma superfície de trabalho plana e estável (p. ex. bancada de trabalho).**

Montagem numa superfície de trabalho (ver figura b1)

- Fixe a ferramenta elétrica à superfície de trabalho com uma união roscada apropriada. Os orifícios (9) servem para esse efeito.

ou

- Fixe os pés da ferramenta elétrica com grampos convencionais à superfície de trabalho.

Montagem numa mesa de trabalho Bosch (ver figura b2)

(GTA 2500 W, GTA 2500 Compact, GTA 2600, GTA 3800)

As mesas de trabalho GTA da Bosch oferecem firmeza à ferramenta elétrica, sobre qualquer solo, devido aos pés de altura ajustável. As mesas de trabalho possuem bases de apoio para o apoio de peças longas.

- **Ler todas as indicações de aviso e instruções fornecidas com a mesa de trabalho.** O desrespeito das indicações de aviso e das instruções pode causar choque elétrico, queimaduras e/ou ferimentos graves.
- **Montar corretamente a mesa de trabalho, antes de montar a ferramenta elétrica.** É importante que a montagem seja perfeita, para evitar o risco de desmoronamento.

- Monte a ferramenta elétrica na posição de transporte sobre a mesa de trabalho.

Aspiração de pó/de aparas

Pós de materiais como por exemplo, tintas que contém chumbo, alguns tipos de madeira, minerais e metais, podem ser nocivos à saúde. O contacto ou a inalação dos pós pode provocar reações alérgicas e/ou doenças nas vias respiratórias do utilizador ou das pessoas que se encontrem por perto.

Certos pós, como por exemplo pó de carvalho e faia são considerados como sendo cancerígenos, especialmente quando juntos com substâncias para o tratamento de madeiras (cromato, produtos de proteção da madeira). Material que contém asbesto só deve ser processado por pessoal especializado.

- Se possível deverá usar um dispositivo de aspiração de pó apropriado para o material.
- Assegurar uma boa ventilação do local de trabalho.
- É recomendável usar uma máscara de proteção respiratória com filtro da classe P2.

Observe as diretivas para os materiais a serem processados, vigentes no seu país.

► **Evite a acumulação de pó no local de trabalho.** Pós podem entrar levemente em ignição.

A aspiração de pó/de aparas pode ser bloqueada por pó, aparas ou por estilhaços da peça a ser trabalhada.

- Desligue a ferramenta elétrica e retire a bateria.
- Aguardar até que o disco de serra esteja completamente parado.
- Verificar a causa do bloqueio e eliminá-la.

Aspiração externa

Para a aspiração também é possível ligar ao adaptador de aspiração (26) uma mangueira de aspirador (Ø 35 mm).

- Ligue a mangueira do aspirador ao adaptador de aspiração (26).

O aspirador de pó deve ser apropriado para o material a ser trabalhado.

Utilize um aspirador especial para aspirar pó que seja extremamente nocivo à saúde, cancerígeno ou seco.

Limpar o adaptador de aspiração

Para assegurar uma aspiração otimizada, é necessário que o adaptador de aspiração (26) seja limpo em intervalos regulares.

- Retire o adaptador de aspiração (26) rodando-o da remoção de aparas (24).
- Remova os estilhaços da peça e as aparas.
- Pressione o adaptador de aspiração, rodando, novamente sobre a remoção de aparas, até ele engatar sobre o anel de fixação da remoção de aparas.

Substituir o disco de serra

► **A bateria deverá ser retirada antes de todos os trabalhos na ferramenta elétrica (p. ex. manutenção, troca de ferramenta etc.) e antes de transportar ou de**

armazenar a mesma. Há perigo de ferimentos se o interruptor de ligar/desligar for acionado involuntariamente.

► **Para a montagem do disco de serra é necessário usar luvas de proteção.** Há perigo de ferimentos em caso de contacto com a lâmina de serra.

Só utilizar discos de serra com uma máxima velocidade admissível superior à velocidade da marcha em vazio da ferramenta elétrica.

Utilize apenas discos de serra que correspondam aos dados característicos indicados neste manual de instrução e que sejam controlados conforme EN 847-1 e respetivamente marcados.

Utilize apenas discos de serra recomendados pelo fabricante desta ferramenta elétrica e adequados para o material com que deseja trabalhar. Desta forma, evita-se o sobreaquecimento dos dentes de serra ao serrar.

Montagem com parafuso de sextavado interior (ver figuras c1-c4)

Desmontar o disco de serra

- Coloque a ferramenta elétrica na posição de trabalho.
- Gire a cobertura de proteção pendular (5) para trás e mantenha-a nesta posição.
- Rode o parafuso de sextavado interior (54) com a chave sextavada interior (4 mm) (17) e pressione em simultâneo o bloqueio do veio (53), até este engatar.
- Mantenha o bloqueio do veio (53) pressionado e rode o parafuso de sextavado interior (54) para a direita (rosca à esquerda!).
- Retire o flange de aperto (55).
- Retire o disco de serra (44).
- Reconduzir lentamente a tampa de proteção pendular para baixo.

Montar o disco de serra

► **Durante a montagem, deverá observar que o sentido de corte dos dentes (sentido da seta sobre a lâmina de corte) coincida com o sentido da seta sobre a capa de proteção!**

Se necessário, deverá limpar todas as partes antes de serem montadas.

- Gire a cobertura de proteção pendular (5) para trás e mantenha-a nesta posição.
- Coloque o novo disco de serra no flange de aperto interior (56).
- Coloque o flange de aperto (55) e o parafuso de sextavado interior (54). Pressione o bloqueio do veio (53) até este engatar, e aperte o parafuso de sextavado interior rodando para a esquerda.
- Reconduzir lentamente a tampa de proteção pendular para baixo.

Montagem com pernos SDS (ver figura d)

► **No caso de cortes em meia-esquadria verticais e na utilização do perno SDS (23), tem de assegurar antes de serrar e através de um ajuste adequado do batente de profundidade (28) que o perno SDS não consegue**

em momento algum tocar na superfície da peça. Isso evita que o perno SDS e/ou a peça fiquem danificados.

Desmontar o disco de serra

- Coloque a ferramenta elétrica na posição de trabalho.
- Gire a cobertura de proteção pendular (5) para trás e mantenha-a nesta posição.
- Rode os pernos SDS (23) e pressione em simultâneo o bloqueio do veio (53), até que este engate.
- Mantenha o bloqueio do veio (53) pressionado e desaperte o perno SDS (23) rodando para a direita (rosca à esquerda!).
- Retire o flange de aperto (55).
- Retire o disco de serra (44).
- Reconduzir lentamente a tampa de proteção pendular para baixo.

Montar o disco de serra

▶ **Durante a montagem, deverá observar que o sentido de corte dos dentes (sentido da seta sobre a lâmina de corte) coincida com o sentido da seta sobre a capa de proteção!**

Se necessário, deverá limpar todas as partes antes de serem montadas.

- Gire a cobertura de proteção pendular (5) para trás e mantenha-a nesta posição.
- Coloque o novo disco de serra no flange de aperto interior (56).
- Coloque o flange de aperto (55) e o perno SDS (23). Pressione o bloqueio do veio (53), até este engatar, e aperte o perno SDS rodando para a esquerda.
- Reconduzir lentamente a tampa de proteção pendular para baixo.

Funcionamento

▶ **A bateria deverá ser retirada antes de todos os trabalhos na ferramenta elétrica (p. ex. manutenção, troca de ferramenta etc.) e antes de transportar ou de armazenar a mesma.** Há perigo de ferimentos se o interruptor de ligar/desligar for acionado involuntariamente.

Proteção de transporte (ver figura A)

A proteção de transporte (35) facilita o manuseamento da ferramenta elétrica durante o transporte para outros locais de utilização.

Soltar a ferramenta elétrica (posição de trabalho)

- Pressione o braço de deslize (34) no punho (1) um pouco para baixo, para aliviar a proteção de transporte (35).
- Puxe a proteção de transporte (35) completamente para fora.
- Conduza o braço de deslize (34) lentamente para cima.

Proteger a ferramenta elétrica (posição de transporte)

- Empurre o braço de deslize (34) completamente para trás e fixe-o nesta posição.

- Conduza o braço de deslize para baixo até que seja possível pressionar a proteção de transporte (35) completamente para dentro.

Outras indicações: (ver "Transporte (ver figura Z)", Página 67)

Travar o braço de deslize

O mecanismo de deslize do braço de deslize (34) pode ser travado com a ajuda da alavanca de aperto (25). Aqui são possíveis duas posições do braço de deslize:

- Braço de deslize empurrado completamente para trás (para cortes transversais)
- Braço de deslize empurrado completamente para a frente (para uma posição de transporte compacta)

Soltar o braço de deslize (ver figura B1)

Depois de soltar o braço de deslize (34) todo o mecanismo de deslize está operacional.

- Pressione a alavanca de aperto (25) completamente para baixo.
- A cunha de aperto da alavanca de aperto libera as duas partes articuladas inferiores do braço de deslize.

Fixar o braço de deslize (ver figura B2)

Braço de deslize empurrado completamente para trás:

- Empurre o braço de deslize (34) completamente para trás.
- As duas partes articuladas superiores do braço de deslize estão agora na vertical e estão fechadas.
- Puxe a alavanca de aperto (25) para cima, até a cunha de aperto estar posicionada entre as duas partes articuladas inferiores do braço de deslize.
- Assim, o braço de deslize (34) empurrado completamente para trás está travado.

Braço de deslize empurrado completamente para a frente:

- Empurre o braço de deslize (34) completamente para a frente.
- Agora o mecanismo de deslize está completamente estendido.
- Puxe a alavanca de aperto (25) para cima, até a cunha de aperto estar posicionada entre as duas partes articuladas inferiores do braço de deslize.
- Assim, o braço de deslize (34) empurrado completamente para a frente está travado.

Preparação de trabalho

Prolongar a mesa de serrar (ver figura C)

Apoie ou escore as extremidades de peças compridas.

A mesa de serrar pode ser ampliada, para a esquerda ou para a direita, com a ajuda dos respetivos prolongamentos (8).

- Vire a alavanca de aperto (57) para dentro.
- Puxe o prolongamento da mesa de serrar (8) para fora até ao comprimento desejado (máximo 250 mm).
- Para fixar o prolongamento da mesa de serrar pressione a alavanca de aperto (57) novamente para fora.

Deslocar o carril limitador (ver figura D-E)

Ao serrar ângulos de meia-esquadria horizontais e/ou verticais, é necessário apertar o carril limitador **(6)** ajustável esquerdo ou direito para fora ou removê-lo completamente, consoante o sentido de corte.

Ângulo de meia-esquadria vertical	Ângulo de meia-esquadria horizontal	
0°-47° (esquerda)	≤ 44° (direita/ esquerda)	<ul style="list-style-type: none"> - Solte o parafuso de travamento (58). - Puxe o carril limitador ajustável esquerdo (6) completamente para fora.
0°-47° (esquerda)	≥ 45° (direita/ esquerda)	<ul style="list-style-type: none"> - Solte o parafuso de travamento (58). - Puxe o carril limitador ajustável esquerdo (6) completamente para fora. - Eleve o carril limitador móvel para frente. - Retire o parafuso de travamento (58).
0°-47° (direita)	≤ 44° (direita/ esquerda)	<ul style="list-style-type: none"> - Solte o parafuso de travamento (58). - Puxar o carril limitador ajustável direito (6) totalmente para fora. - Eleve o carril limitador móvel para frente.
0°-47° (direita)	≥ 45° (direita/ esquerda)	

Ajustar o amortecimento do braço de deslize (ver figura F)

O mecanismo de deslize do braço de deslize **(34)** é ajustado a partir de fábrica e não está amortecido aquando do fornecimento da ferramenta elétrica.

O amortecimento do mecanismo de deslize pode ser ajustado individualmente no amortecedor **(59)**:

duro – movimentos de trabalho controlados;

macio – cortes de serra rápidos.

- Solte os dois parafusos de ajuste **(60)** com a chave sextavada interior **(4 mm)** **(17)** para um amortecimento **mais macio**
- *ou*
- aperte mais os dois parafusos de ajuste **(60)** para um amortecimento **mais duro**.

Fixar a peça a ser trabalhada (ver figura G)

A peça a ser trabalhada deverá ser sempre firmemente fixa, para assegurar uma segurança ideal de trabalho.

Não trabalhar em peças que sejam demasiadamente pequenas para serem fixas.

- Pressione a peça a ser trabalhada firmemente contra o carril limitador **(7)** e **(6)**.
- Inserir o sargento fornecido **(19)** num dos furos **(61)** previstos para o efeito.
- Solte o parafuso de orelhas **(61)** e adapte o grampo à peça a ser trabalhada. Reaperte o parafuso de orelhas.
- Apertar o tirante roscado **(63)** fixando assim a peça a ser trabalhada.

Soltar a peça a ser trabalhada

- Para soltar o grampo, rode a haste roscada **(63)** para a esquerda.

Ajustar ângulos de meia-esquadria horizontais**Ajustar ângulos de meia-esquadria padrão horizontais (ver figura H)**

Para o ajuste rápido e preciso de ângulos de meia-esquadria horizontais usados frequentemente, existem entalhes **(15)** na mesa de serrar:

esquerda	direita
0°	
45°; 31,6°; 22,5°; 15°	15°; 22,5°; 31,6°; 45°; 60°

- Solte o manípulo de fixação **(12)**, caso este esteja apertado.
- Puxe a alavanca **(13)** e rode a mesa de serrar **(42)** para a esquerda ou para a direita até ao entalhe desejado.
- Solte novamente a alavanca. A alavanca deve engatar perceptivelmente no entalhe.
- Aperte novamente o manípulo de fixação **(12)**.

Ajustar quaisquer ângulos de meia-esquadria horizontais (ver figura I)

O ângulo de meia-esquadria horizontal pode ser ajustado numa faixa de 52° (lado esquerdo) a 60° (lado direito).

- Solte o manípulo de fixação **(12)**, caso este esteja apertado.
- Puxe a alavanca **(13)** e pressione em simultâneo o grampo de travamento **(11)**, até que este encaixe na ranhura prevista para o efeito. Com isto a mesa de serrar move-se livremente.
- Rode a mesa de serrar **(42)** pelo manípulo de fixação para a esquerda ou para a direita, até que o indicador de ângulo **(64)** indique o ângulo de meia-esquadria horizontal desejado.
- Aperte novamente o manípulo de fixação **(12)**.

- Para soltar novamente a alavanca **(13)** (para ajustar ângulos de meia-esquadria horizontais padrões) é necessário puxar a alavanca para cima. O grampo de travamento **(11)** salta para a posição inicial e a alavanca **(13)** pode engatar novamente nos entalhes **(15)**.

Ajustar ângulos de meia-esquadria verticais

O ângulo de meia-esquadria vertical pode ser ajustado numa faixa de 47° (lado esquerdo) a 47° (lado direito).

Para o ajuste rápido e preciso de ângulos de meia-esquadria verticais usados frequentemente, existem limitadores para os ângulos de 0°, 22,5°, 45° e 47°.

Ajustar a faixa de ângulo de meia-esquadria à esquerda vertical (45° até 0°)

L

- Puxe o carril limitador ajustável esquerdo **(6)** completamente para fora.
- Solte o punho de aperto **(14)**.
- Rode o braço de deslize **(34)** no punho **(1)** para a esquerda até que o indicador de ângulo **(37)** indique o ângulo de meia-esquadria vertical desejado.
- Segure o braço de deslize **(34)** nesta posição e volte a apertar o punho de aperto **(14)**.
A força de aperto do punho de aperto deve ser capaz de manter a posição do braço de deslize em qualquer ângulo de meia-esquadria vertical.

Ajustar a faixa de ângulo de meia-esquadria à direita vertical (0° até 45°) (ver figura J)

45° R

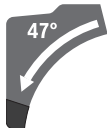
- Puxar o carril limitador ajustável direito **(6)** totalmente para fora.
- Solte o punho de aperto **(14)**.
- Incline o braço de deslize **(34)** no punho **(1)** ligeiramente para a esquerda, para fora da posição dos 0°, e rode o manípulo rotativo **(43)** até que seja indicada a faixa de ângulo de meia-esquadria vertical desejada.
- Rode o braço de deslize **(34)** no punho **(1)** para a direita até que o indicador de ângulo **(21)** indique o ângulo de meia-esquadria desejado.
- Segure o braço de deslize **(34)** nesta posição e volte a apertar o punho de aperto **(14)**.
A força de aperto do punho de aperto deve ser capaz de manter a posição do braço de deslize em qualquer ângulo de meia-esquadria vertical.

Ajustar o ângulo de meia-esquadria padrão vertical de 0°

Para que seja possível voltar a ajustar facilmente o ângulo de meia-esquadria padrão vertical de 0°, o manípulo rotativo **(43)** engata na faixa de ângulo de meia-esquadria à esquerda vertical.

- Rode o braço de deslize **(34)** a partir da direita para além da posição de 0°.

Ajustar toda a faixa de ângulo de meia-esquadria vertical (-47° até +47°)



- Puxe os dois carris limitadores ajustáveis **(6)** completamente para fora.
- Solte o punho de aperto **(14)**.
- Incline o braço de deslize **(34)** no punho **(1)** ligeiramente para a esquerda, para fora da posição dos 0°, e rode o manípulo rotativo **(43)** até que seja indicada a faixa de ângulo de meia-esquadria vertical desejada.
- Rode o braço de deslize **(34)** no punho **(1)** para a esquerda ou direita, até que o indicador de ângulo **(37)** ou **(21)** indique o ângulo de meia-esquadria vertical desejado.
- Segure o braço de deslize **(34)** nesta posição e volte a apertar o punho de aperto **(14)**.
A força de aperto do punho de aperto deve ser capaz de manter a posição do braço de deslize em qualquer ângulo de meia-esquadria vertical.

Ajustar o ângulo de meia-esquadria padrão vertical de 22,5° (ver figura K)

Puxe o botão de regulação **(38)** completamente para fora e rode-o a 90°. A seguir, rode o braço de deslize **(34)** no punho **(1)** até engatar audivelmente.

Ajustar ângulos de meia-esquadria horizontais e verticais

Colocação em funcionamento

Colocar a bateria

- ▶ **Só utilizar baterias de lítio Bosch com a tensão indicada na placa de características da sua ferramenta elétrica.** A utilização de outras baterias pode levar a lesões e perigo de incêndio.
- Introduza a bateria **(32)** carregada no respetivo compartimento da ferramenta elétrica, até a bateria estar travada com firmeza.

Ligar (ver figura L)

- Para a **ligar** a ferramenta elétrica, desloque **primeiro** o bloqueio de ligação **(2)** para o centro, e prima **de seguida** o interruptor de ligar/desligar **(65)** e mantenha-o premido.

Nota: Por motivos de segurança o interruptor de ligar/desligar **(65)** não pode ser travado, mas deve permanecer premido durante o funcionamento.

Desligar

- Para **desligar**, soltar o interruptor de ligar/desligar **(65)**.

Modo ECO

Se a ferramenta elétrica for operada no modo de poupança de energia ECO, o tempo de funcionamento da bateria pode aumentar em até 20%.

Quando o modo ECO está ativo, é exibido na indicação do nível de rotações/modo (49) o símbolo E. Adicionalmente está acesa a indicação do modo ECO (47).

Interface de utilizador

A interface de utilizador (3) serve para a pré-seleção da velocidade de rotação, bem como para a indicação do estado da ferramenta elétrica.

Pré-seleção do número de rotação

Estão predefinidos um modo Eco e 3 níveis de rotação.

Com a tecla para a pré-seleção da velocidade de rotação (48) pode pré-selecionar a velocidade de rotação necessária mesmo durante o funcionamento.

Nível de rotações	Rotação [r.p.m.]
Eco	2550
1	3000
2	3500
3	4000

Indicadores de estado

Indicador do nível de carga da bateria (interface de utilizador) (46)	Significado/Causa	Solução
---	-------------------	---------

verde (2 a 5 barras)	Bateria carregada	–
amarelo (1 barra)	Bateria quase vazia	Trocar ou carregar bateria em breve
vermelho (1 barra)	Acumulador vazio	Trocar ou carregar bateria

Indicação temperatura (52)	Significado/Causa	Solução
amarelo	Temperatura crítica atingida (motor, eletrónica, bateria)	Deixar a ferramenta elétrica funcionar em vazio e arrefecer
vermelha	A ferramenta elétrica está sobreaquecida e desliga-se	Deixar a ferramenta elétrica funcionar arrefecer

Indicação Smartphone (50) e indicação estado ferramenta elétrica (51)	Significado/Causa	Solução
amarelo	Lembrete assistência	Mais informações ver aplicação Bosch Toolbox ou mandar para assistência

Indicação de estado da ferramenta elétrica (51)	Significado/Causa	Solução
verde	Estado OK	–
amarelo	Temperatura crítica atingida ou bateria quase vazia	Deixar a ferramenta elétrica funcionar em vazio e arrefecer ou trocar ou carregar bateria em breve
vermelha	ferramenta elétrica está sobreaquecida ou a bateria está vazia	Deixar a ferramenta elétrica arrefecer ou trocar ou carregar a bateria
piscar a vermelho	Proteção contra rearmar involuntário ativou-se	Desligar e voltar a ligar a ferramenta elétrica, se necessário, remover e voltar a colocar a bateria.

Funções Connectivity

Combinado com o *Bluetooth*® Low Energy Module GCY 42 estão disponíveis as seguintes funções Connectivity para a ferramenta elétrica:

- Registo e personalização
- Verificação do estado, emissão de mensagens de aviso
- Informações gerais e ajustes
- Gestão
- Ajuste dos níveis de rotação

Para informações acerca do *Bluetooth*® Low Energy Module **GCY 42** leia as respetivas instruções de utilização.

A indicação Smartphone (50) acende-se, se a ferramenta elétrica enviar uma informação (p. ex. aviso de temperatura) via tecnologia de radiotransmissão *Bluetooth*® a um aparelho terminal móvel.

Instruções de trabalho

Indicações gerais para serrar

- ▶ **Aperte sempre bem o manipulador de fixação (12) e o punho de aperto (14) antes de serrar.** Caso contrário o disco de serra poderá emperrar na peça a ser trabalhada.
- ▶ **Apertar sempre bem o manipulador de fixação (12) e a alavanca de fixação antes de serrar.** Caso contrário o disco de serra poderá emperrar na peça a ser trabalhada.
- ▶ **Antes de todos os cortes, deverá assegurar-se de que a lâmina de serra não possa de modo algum entrar em contacto com o carril limitador, com os sargentos ou com quaisquer outras partes do aparelho. Se houverem limitadores auxiliares montados, estes deverão ser removidos ou respetivamente adaptados.**
- ▶ **A ferramenta elétrica com Bluetooth® Low Energy Module GCY 42 colocado está equipada com uma interface de comunicações. Devem ser respeitadas as limitações de utilização locais, p. ex. em aviões ou hospitais.**
- ▶ **Nas áreas onde a tecnologia de radiotransmissão Bluetooth® não pode ser usada, têm de ser retirados o Bluetooth® Low Energy Module GCY 42 e a pilha botão.**

Apoiar ou escorar as extremidades de peças compridas e pesadas.

Não trabalhar peças empenadas. A peça a ser trabalhada deve sempre ter um lado reto para encostar no carril limitador.

Serre apenas materiais que estão permitidos em termos de utilização adequada.

Proteger a lâmina de serra contra golpes e pancadas. A lâmina de serra não deve ser exposta a nenhuma pressão lateral.

Assegure-se de que a cobertura de proteção pendular está a funcionar corretamente e pode ser movimentada livremente. Ao conduzir o braço da ferramenta para baixo, a capa de proteção pendular tem de se abrir. Ao conduzir o braço da ferramenta para cima, a capa de proteção pendular tem de se voltar a fechar por cima da lâmina e engatar na posição superior do braço da ferramenta.

Marcar a linha de corte (ver figura M)

Dois raios lasers indicam a linha de corte do disco de serra. Assim a peça pode ser exatamente posicionada para ser serrada, sem que a cobertura de proteção angular tenha que ser aberta.

- Para tal, ligue os raios laser tocando brevemente no interruptor de ligar/desligar (65) sem premir o bloqueio de ligação (2).
- Alinhe a sua marcação na peça a ser trabalhada entre as duas linhas laser.

Nota: Antes de serrar, verificar se a linha de corte ainda é indicada corretamente (ver "Ajustar o laser", Página 65). Os raios laser podem, por exemplo, ser desajustados por vibrações devido a um uso intensivo.

Posição do operador (ver figura N)

- ▶ **Não se posicione em linha com o disco de serra, na frente da ferramenta elétrica, mas sempre deslocado lateralmente em relação ao disco de serra.** Desta forma o seu corpo estará protegido contra um possível contragolpe.
 - Manter as mãos, os dedos e os braços afastados da lâmina de serra em rotação.
 - Não cruzar as mãos à frente do braço da ferramenta.

Substituir as placas de alimentação (ver figura O)

As placas de alimentação (10) podem desgastar-se após um longo período de uso da ferramenta elétrica.

Placas de alimentação defeituosas devem ser substituídas.

- Coloque a ferramenta elétrica na posição de trabalho.
- Desenrosque os parafusos (66) com a chave sextavada interior (18) e retire as placas de alimentação velhas.
- Coloque uma nova placa de alimentação.
- Aparafuse a placa de alimentação com os parafusos (66) o mais à direita possível, de modo a que o disco de serra não entre em contacto com a placa de alimentação em todo o comprimento do possível movimento de tração.
- Repita os passos de trabalho, do mesmo modo, para a nova placa de alimentação esquerda.

Dimensões admissíveis da peça a ser trabalhada

Ângulo de meia-esquadria horizontal	Ângulo de meia-esquadria vertical [mm]	Altura x largura [mm]
0°	0°	104 x 341 45 x 400 ^{A)} 120 x 200 ^{B)} 180 x 40
45° (esquerda)	0°	104 x 240 180 x 20
0°	45° (esquerda)	60 x 341
0°	45° (direita)	40 x 341
45°	45° (esquerda)	60 x 240
45°	45° (direita)	40 x 240

A) com limitador de distância horizontal (altura x largura: 60 mm x 400 mm)

B) com limitador de distância vertical (altura x largura: 72 mm x 50 mm)

Peças **mínimas** (= todas as peças que podem ser fixas com o grampo fornecido (19) à esquerda ou à direita do disco de serra): 160 x 35 mm (comprimento x largura)

Profundidade máx. de corte (0°/0°): 120 mm

Serrar

Serrar sem movimento de tração (cortar) (ver figura P)

- Empurre o braço de deslize (34) completamente para trás e fixe-o nesta posição. Certifique-se de que o limitador de profundidade (28) está totalmente pressionado para dentro e o parafuso de ajuste (27) passa no entalhe ao mover o braço de deslize sem tocar no batente de profundidade.

- Fixe a peça a ser trabalhada de acordo com as dimensões.
- Se necessário, ajuste os ângulos de meia-esquadria desejados (horizontal e/ou vertical).
- Ligue a ferramenta elétrica.
- Conduza o braço de deslize (34) com o punho (1) lentamente para baixo.
- Serre a peça com avanço uniforme.
- Desligue a ferramenta elétrica e aguarde até o disco de serra estar completamente parado.
- Conduza o braço de deslize (34) lentamente para cima.

Serrar com movimento de tração (ver figura Q)

- ▶ **Segure firmemente o punho ao ligar e durante todo o processo de serrar. Ao serrar deverá conduzir o braço de deslize com movimentos controlados.** Um momento de distração pode levar a graves lesões devido ao braço de deslize de movimento extremamente suave.
- Solte o braço de deslize (34).
- Puxando e voltando a empurrar o braço de deslize (34), verifique se todo o mecanismo de deslize está operacional.
- Fixe a peça a ser trabalhada de acordo com as dimensões.
- Se necessário, ajuste os ângulos de meia-esquadria desejados (horizontal e/ou vertical).
- Afaste o braço de deslize (34) com o punho (1) do carril limitador (7) até o disco de serra estar em frente à peça a ser trabalhada.
- Ligue a ferramenta elétrica.
- Conduza o braço de deslize (34) com o punho (1) lentamente para baixo.
- Pressione então o braço de deslize (34) no sentido do carril limitador (7) e serre a peça com um avanço uniforme.
- Desligue a ferramenta elétrica e aguarde até o disco de serra estar completamente parado.
- Conduza o braço de deslize (34) lentamente para cima.

Serrar peças com o mesmo comprimento (ver figura R)

Para serrar facilmente peças com o mesmo comprimento, é possível utilizar o limitador de comprimento (40) (acessório).

O limitador de comprimento pode ser montado de ambos os lados do prolongamento da mesa de serrar (8).

- Solte o parafuso de travamento (39) e vire o limitador de comprimento (40) sobre o parafuso de aperto (67).
- Reaperte o parafuso de travamento (39).
- Ajustar o prolongamento da mesa de serrar (8) para o comprimento desejado.

Ajustar o limitador de profundidade (serrar ranhuras) (ver figura S)

O limitador de profundidade deve ser ajustado se for serrada uma ranhura ou se for usado um limitador de distância.

- Vire o limitador de profundidade (28) para fora.

- Rode o braço de deslize (34) no punho (1) para a posição desejada.
- Rode o parafuso de ajuste (27), até a extremidade do parafuso entrar em contacto com o limitador de profundidade (28).
- Conduza o braço de deslize (34) lentamente para cima.

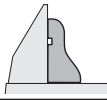
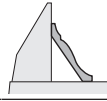

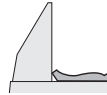
Peças especiais

Ao serrar peças curvadas ou redondas é necessário fixá-las firmemente, de modo que não possam se movimentar. Na linha de corte não deve haver fendas entre a peça a ser trabalhada, o carril limitador e a mesa de serrar.

Se necessário, deverão ser fabricados suportes especiais.

Trabalhar tramas perfiladas

Barras perfiladas podem ser trabalhadas de duas maneiras:

Posicionamento da peça a ser trabalhada	Rodapé	Moldura de teto
- encostadas contra o carril limitador		
- apoiadas de forma plana sobre a mesa de serrar		

Além disso, é possível executar cortes com ou sem movimento de tração, independente da largura da barra perfilada.

Sempre deverá testar o ângulo de meia-esquadria (horizontal e/ou vertical) ajustado num pedaço de madeira que for deitar fora.

Verifique e realize os ajustes básicos

Após uso intensivo, deverá controlar, e se necessário corrigir, os ajustes básicos da ferramenta elétrica, para assegurar cortes precisos.

Para tal são necessárias experiência e ferramentas especiais.

Uma oficina de serviço pós-venda Bosch executa este trabalho de forma rápida e fiável.

Ajustar o laser

Nota: Para testar a função do laser é necessário que a ferramenta elétrica esteja conectada à alimentação elétrica.

▶ **Jamais acionar o interruptor de ligar/desligar durante o ajuste do laser (p. ex. ao movimentar o braço da ferramenta).** Um arranque involuntário da ferramenta elétrica pode causar ferimentos.

- Coloque a ferramenta elétrica na posição de trabalho.
- Rode a mesa de serrar (42) até ao entalhe (15) para 0°. A alavanca (13) tem de engatar perceptivelmente no entalhe.

Verificar (ver figura T1)

- Desenhe uma linha de corte sobre a peça a ser trabalhada.
- Conduza o braço de deslize (34) com o punho (1) lentamente para baixo.
- Posicione a peça a ser trabalhada, de modo que os dentes do disco de serra estejam alinhados à linha de corte.
- Mantenha a peça a ser trabalhada nesta posição e volte a conduzir o braço de deslize lentamente para cima.
- Fixe a peça a ser trabalhada.
- Ligue os raios laser com o interruptor.

Os raios laser devem estar ao longo de todo o comprimento, à esquerda e à direita, à mesma distância da linha de corte marcada sobre a peça a ser trabalhada, mesmo quando o braço de deslize é movimentado para baixo.

Ajustar (ver figura T2)

1. Ajustar o raio laser direito:

- Rode o parafuso de ajuste direito (68) com a chave sextavada interior (18) até o raio laser direito ficar nivelado em todo o comprimento com a linha de corte marcada na peça a ser trabalhada.
- O raio laser esquerdo move-se juntamente.

Uma rotação no sentido contrário dos ponteiros do relógio, movimentará o raio laser da esquerda para a direita, uma rotação no sentido dos ponteiros do relógio movimentará o raio laser da direita para a esquerda.

2. Ajustar o raio laser esquerdo:

- Rode o parafuso de ajuste esquerdo (68) com a chave sextavada interior (18) até os raios laser esquerdo apresentar a mesma distância que o raio laser direito relativamente à linha de corte assinalada na peça.

Uma rotação no sentido contrário dos ponteiros do relógio, movimentará o raio laser da esquerda para a direita, uma rotação no sentido dos ponteiros do relógio movimentará o raio laser da direita para a esquerda.

Ajustar o ângulo de meia-esquadria padrão vertical de 0°

- Coloque a ferramenta elétrica na posição de transporte.
- Rode a mesa de serrar (42) até ao entalhe (15) para 0°. A alavanca (13) tem de engatar perceptivelmente no entalhe.

Verificar (ver figura U1)

- Ajuste o calibre angular para 90° e coloque-o sobre a mesa de serrar (42).

O lado do calibre angular tem de ficar alinhado em todo o comprimento com o disco de serra (44).

Ajustar (ver figura U2)

- Solte o punho de aperto (14).
- Solte os dois parafusos de ajuste (69) (pelo menos 1 volta) com uma chave de caixa (10 mm).
- Solte o parafuso de ajuste (71) (aprox. 3 voltas) com a chave sextavada interior (4 mm) (17).
- Enrosque ou desenrosque o parafuso de ajuste (70) com a chave sextavada interior (4 mm) (17) até o lado do

calibre angular estar alinhado em todo o comprimento com o disco de serra.

- Aperte novamente o punho de aperto (14). A seguir, aperte novamente primeiro o parafuso de ajuste (71) e depois os parafusos de ajuste (69).

Se os indicadores de ângulo (37) e (21) após o ajuste não estiverem alinhados com as marcas de 0° da escala (36), solte os parafusos de fixação dos indicadores de ângulo com uma chave de fenda em cruz e alinhe-os ao longo das marcas de 0°.

Ajustar o ângulo de meia-esquadria padrão vertical de 45° (esquerda)

- Coloque a ferramenta elétrica na posição de trabalho.
- Rode a mesa de serrar (42) até ao entalhe (15) para 0°. A alavanca (13) tem de engatar perceptivelmente no entalhe.
- Puxe o carril limitador ajustável esquerdo (6) completamente para fora.
- Solte o punho de aperto (14) e rode o braço de deslize no punho (1) completamente para a esquerda (45°).

Verificar (ver figura V1)

- Ajuste o calibre angular para 45° e coloque-o sobre a mesa de serrar (42).

O lado do calibre angular tem de ficar alinhado em todo o comprimento com o disco de serra (44).

Ajustar (ver figura V2)

- Enrosque ou desenrosque o parafuso de ajuste (72) com uma chave de bocas (8 mm) até o lado do calibre angular estar alinhado em todo o comprimento com o disco de serra.
- Aperte novamente o punho de aperto (14).

Se os indicadores de ângulo (37) e (21) após o ajuste não estiverem alinhados com as marcas de 45° da escala (36), verifique primeiro novamente o ajuste de 0° para o ângulo de meia-esquadria vertical e o indicador de ângulo. De seguida, repita o ajuste do ângulo de meia-esquadria vertical de 45°.

Ajustar o ângulo de meia-esquadria padrão vertical de 45° (direita)

- Coloque a ferramenta elétrica na posição de trabalho.
- Rode a mesa de serrar (42) até ao entalhe (15) para 0°. A alavanca (13) tem de engatar perceptivelmente no entalhe.
- Puxe o carril limitador ajustável direito (6) totalmente para fora.
- Solte o punho de aperto (14).
- Incline o braço de deslize no punho (1) ligeiramente para a esquerda, para fora da posição dos 0°, e rode o manipulador rotativo (43) até que seja indicada a faixa de ângulo de meia-esquadria à direita vertical.
- Rode o braço de deslize no punho (1) completamente para a direita (45°).

Verificar (ver figura W1)

- Ajuste o calibre angular para 135° e coloque-o sobre a mesa de serrar (42).

O lado do calibre angular tem de ficar alinhado em todo o comprimento com o disco de serra (44).

Ajustar (ver figura W2)

- Enrosque ou desenrosque o parafuso de ajuste (73) com uma chave de bocas (8 mm) até o lado do calibre angular estar alinhado em todo o comprimento com o disco de serra.
- Aperte novamente o punho de aperto (14).

Se os indicadores de ângulo (37) e (21) após o ajuste não estiverem alinhados com as marcas de 45° da escala (36), verifique primeiro novamente o ajuste de 0° para o ângulo de meia-esquadria vertical e o indicador de ângulo. De seguida, repita o ajuste do ângulo de meia-esquadria vertical de 45°.

Alinhar a escala para ângulos de meia-esquadria horizontais

- Coloque a ferramenta elétrica na posição de trabalho.
- Rode a mesa de serrar (42) até ao entalhe (15) para 0°. A alavanca (13) tem de engatar perceptivelmente no entalhe.

Verificar (ver figura X1)

- Ajuste um calibre angular para 90° e coloque-o entre o carril limitador (7) e o disco de serra (44) na mesa de serrar (42).

O lado do calibre angular tem de ficar alinhado em todo o comprimento com o disco de serra (44).

Ajustar (ver figura X2)

- Solte os quatro parafusos de ajuste (74) com a chave sextavada interior (4 mm) (17) e rode a mesa de serrar (42) juntamente com a escala (41) até o lado do calibre angular ficar alinhado em todo o comprimento com o disco de serra.
- Reaperte os parafusos.

Se, após o ajuste, o indicador de ângulo (64) não estiver alinhado com a marca de 0° da escala (41), solte o parafuso (75) com uma chave de fenda em cruz e alinhe o indicador de ângulo ao longo da marca de 0°.

Ajustar a força de aperto do punho de aperto (14) (ver figura Y)

A força de aperto do punho de aperto (14) pode ser reajustada.

Verificar

- A força de aperto do punho de aperto deve ser capaz de manter a posição do braço de deslize em qualquer ângulo de meia-esquadria vertical.

Ajustar

- Solte o punho de aperto (14).
- Rode o parafuso de ajuste (76) com uma chave de caixa (17 mm) para a esquerda, para reduzir a força de aperto ou rode-o para a direita, para aumentar a força de aperto.
- Ajuste um ângulo de meia-esquadria vertical, volte a apertar o punho de aperto (14) e verifique se foi alcançada a força de aperto desejada.

Transporte (ver figura Z)

Antes de um transporte da ferramenta elétrica é necessário executar os seguintes passos:

- Empurre o braço de deslize (34) completamente para trás e fixe-o nesta posição.
- Certifique-se de que o limitador de profundidade (28) está totalmente pressionado para dentro e o parafuso de ajuste (27) passa no entalhe ao mover o braço de deslize sem tocar no batente de profundidade.
- Conduza o braço de deslize para baixo até que seja possível pressionar a proteção de transporte (35) completamente para dentro
- Empurre os prolongamentos da mesa de serrar (8) completamente para dentro.
- Ajuste um ângulo de meia-esquadria vertical de 0° e aperte o punho de aperto (14).
- Rode a mesa de serrar (42) completamente para a esquerda e aperte o manípulo de fixação (12).
- Remova todos os acessórios que não estão montados firmemente na ferramenta elétrica.
- Se possível, os discos de serra não utilizados devem ser colocados dentro de um recipiente fechado durante o transporte.
- Para o transporte, agarre nas cavidades de pega (16) que se encontram lateralmente na mesa de serrar.

▶ **Ao transportar a ferramenta elétrica utilize apenas os dispositivos de transporte e nunca os dispositivos de proteção, o braço de deslize ou o punho.**

Manutenção e assistência técnica

Manutenção e limpeza

- ▶ **A bateria deverá ser retirada antes de todos os trabalhos na ferramenta elétrica (p. ex. manutenção, troca de ferramenta etc.) e antes de transportar ou de armazenar a mesma.** Há perigo de ferimentos se o interruptor de ligar/desligar for acionado involuntariamente.
- ▶ **Manter a ferramenta elétrica e as aberturas de ventilação sempre limpas, para trabalhar bem e de forma segura.**

A capa de proteção pendular deve sempre movimentar-se livremente e fechar-se automaticamente. Portanto deverá manter a área em volta da capa de proteção pendular sempre limpa.

Após cada etapa de trabalho deverá remover o pó e as aparas, soprando com ar comprimido ou limpando com um pincel.

Limpe regularmente o rolo de deslize (20).

Acessórios

	Número de produto
Saco de pó	1 609 B05 010

	Número de produto
Mesa de trabalho GTA 2500 W	0 601 B12 100
Mesa de trabalho GTA 2500 Compact	0 601 B12 400
Mesa de trabalho GTA 2600	0 601 B12 300
Mesa de trabalho GTA 3800	0 601 B24 000
3 601 M43 000: Discos de serra para madeira e materiais de placas, painéis e ripas	
Standard for Wood 305 x 2,2/1,6 x 30 mm, 40 dentes	2 608 837 741
Standard for Wood 305 x 2,2/1,6 x 30 mm, 60 dentes	2 608 837 742
Standard for Wood 305 x 2,2/1,6 x 30 mm, 96 dentes	2 608 837 744
Expert for Wood 305 x 2,2/1,6 x 30 mm, 42 dentes	2 608 644 527
Expert for Wood 305 x 2,2/1,6 x 30 mm, 60 dentes	2 608 644 528
Expert for Wood 305 x 2,2/1,6 x 30 mm, 96 dentes	2 608 644 529
3 601 M43 000: Discos de serra para alumínio	
Standard for Aluminium 305 x 2,4/1,8 x 30 mm, 96 dentes	2 608 837 782
Expert for Aluminium 305 x 2,4/1,8 x 30 mm, 96 dentes	2 608 644 547
3 601 M43 000: Discos de serra para placas de fibrocimento	
Expert for Fibre Cement 305 x 2,2/1,6 x 30 mm, 8 dentes	2 608 644 559

Serviço pós-venda e aconselhamento

O serviço pós-venda responde às suas perguntas a respeito de serviços de reparação e de manutenção do seu produto, assim como das peças sobressalentes. Desenhos explodidos e informações acerca das peças sobressalentes também em: www.bosch-pt.com

A nossa equipa de consultores Bosch esclarece com prazer todas as suas dúvidas a respeito dos nossos produtos e acessórios.

Indique para todas as questões e encomendas de peças sobressalentes a referência de 10 dígitos de acordo com a placa de características do produto.

Brasil

Robert Bosch Ltda. – Divisão de Ferramentas Elétricas
Rodovia Anhanguera, Km 98 - Parque Via Norte
13065-900, CP 1195
Campinas, São Paulo
Tel.: 0800 7045 446
www.bosch.com.br/contato

Encontra outros endereços da assistência técnica em:

www.bosch-pt.com/serviceaddresses

Transporte

As baterias de íões de lítio, contidas, estão sujeitas ao direito de materiais perigosos. As baterias podem ser transportadas na rua pelo utilizador, sem mais obrigações. Na expedição por terceiros (por ex: transporte aéreo ou expedição), devem ser observadas as especiais exigências quanto à embalagem e à designação. Neste caso é necessário consultar um especialista de materiais perigosos ao preparar a peça a ser trabalhada.

Só enviar baterias se a carcaça não estiver danificada. Colar contactos abertos e embalar a bateria de modo que não possa se movimentar dentro da embalagem. Por favor observe também eventuais diretivas nacionais suplementares.

Eliminação



As ferramentas elétricas, as baterias, os acessórios e as embalagens devem ser enviados a uma reciclagem ecológica de matéria prima.



Não deitar ferramentas elétricas e baterias/pilhas no lixo doméstico!

Baterias/pilhas:

Lítio:

Observar as indicações no capítulo Transporte (ver "Transporte", Página 68).

Español

Indicaciones de seguridad

Advertencias de peligro generales para herramientas eléctricas

⚠ ADVERTENCIA Lea íntegramente las advertencias de peligro, las instrucciones, las ilustraciones y las especificaciones entregadas con esta herramienta eléctrica. En caso de no atenerse a las instrucciones siguientes, ello puede ocasionar una descarga eléctrica, un incendio y/o una lesión grave.

Guardar todas las advertencias de peligro e instrucciones para futuras consultas.

El término "herramienta eléctrica" empleado en las siguientes advertencias de peligro se refiere a herramientas eléctricas de conexión a la red (con cable de red) y a herramientas eléctricas accionadas por acumulador (sin cable de red).

Seguridad del puesto de trabajo

- ▶ **Mantenga el área de trabajo limpia y bien iluminada.** Las áreas desordenadas u oscuras pueden provocar accidentes.
- ▶ **No utilice herramientas eléctricas en un entorno con peligro de explosión, en el que se encuentren combustibles líquidos, gases o material en polvo.** Las herramientas eléctricas producen chispas que pueden llegar a inflamar los materiales en polvo o vapores.
- ▶ **Mantenga alejados a los niños y otras personas de su puesto de trabajo al emplear la herramienta eléctrica.** Una distracción le puede hacer perder el control sobre la herramienta eléctrica.

Seguridad eléctrica

- ▶ **El enchufe de la herramienta eléctrica debe corresponder a la toma de corriente utilizada. No es admisible modificar el enchufe en forma alguna. No emplear adaptadores en herramientas eléctricas dotadas con una toma de tierra.** Los enchufes sin modificar adecuados a las respectivas tomas de corriente reducen el riesgo de una descarga eléctrica.
- ▶ **Evite que su cuerpo toque partes conectadas a tierra como tuberías, radiadores, cocinas y refrigeradores.** El riesgo a quedar expuesto a una sacudida eléctrica es mayor si su cuerpo tiene contacto con tierra.
- ▶ **No exponga la herramienta eléctrica a la lluvia o a condiciones húmedas.** Existe el peligro de recibir una descarga eléctrica si penetran ciertos líquidos en la herramienta eléctrica.
- ▶ **No abuse del cable de red. No utilice el cable de red para transportar o colgar la herramienta eléctrica, ni tire de él para sacar el enchufe de la toma de corriente. Mantenga el cable de red alejado del calor, aceite, esquinas cortantes o piezas móviles.** Los cables de red dañados o enredados pueden provocar una descarga eléctrica.
- ▶ **Al trabajar con la herramienta eléctrica a la intemperie utilice solamente cables de prolongación apropiados para su uso al aire libre.** La utilización de un cable de prolongación adecuado para su uso en exteriores reduce el riesgo de una descarga eléctrica.
- ▶ **Si fuese imprescindible utilizar la herramienta eléctrica en un entorno húmedo, es necesario conectarla a través de un dispositivo de corriente residual (RCD) de seguridad (fusible diferencial).** La aplicación de un fusible diferencial reduce el riesgo a exponerse a una descarga eléctrica.

Seguridad de personas

- ▶ **Esté atento a lo que hace y emplee sentido común cuando utilice una herramienta eléctrica. No utilice la herramienta eléctrica si estuviese cansado, ni tampoco después de haber consumido drogas, alcohol o medicamentos.** El no estar atento durante el uso de la herramienta eléctrica puede provocarle serias lesiones.
- ▶ **Utilice un equipo de protección personal. Utilice siempre una protección para los ojos.** El riesgo a lesionarse

se reduce considerablemente si se utiliza un equipo de protección adecuado como una mascarilla antipolvo, zapatos de seguridad con suela antideslizante, casco, o protectores auditivos.

- ▶ **Evite una puesta en marcha involuntaria. Asegúrese de que la herramienta eléctrica esté desconectada antes de conectarla a la toma de corriente y/o al montar el acumulador, al recogerla y al transportarla.** Si transporta la herramienta eléctrica sujetándola por el interruptor de conexión/desconexión, o si alimenta la herramienta eléctrica estando ésta conectada, ello puede dar lugar a un accidente.
- ▶ **Retire las herramientas de ajuste o llaves fijas antes de conectar la herramienta eléctrica.** Una herramienta de ajuste o llave fija colocada en una pieza rotante puede producir lesiones al poner a funcionar la herramienta eléctrica.
- ▶ **Evite posturas arriesgadas. Trabaje sobre una base firme y mantenga el equilibrio en todo momento.** Ello le permitirá controlar mejor la herramienta eléctrica en caso de presentarse una situación inesperada.
- ▶ **Lleve puesta una vestimenta de trabajo adecuada. No utilice vestimenta amplia ni joyas. Mantenga su pelo y vestimenta alejados de las piezas móviles.** La vestimenta suelta, el pelo largo y las joyas se pueden enganchar con las piezas en movimiento.
- ▶ **Si se proporcionan dispositivos para la conexión de las instalaciones de extracción y recogida de polvo, asegúrese que éstos estén conectados y que sean utilizados correctamente.** El empleo de estos equipos reduce los riesgos derivados del polvo.
- ▶ **No permita que la familiaridad ganada por el uso frecuente de herramientas eléctricas lo deje caer en la complacencia e ignoren las normas de seguridad de herramientas.** Una acción negligente puede causar lesiones graves en una fracción de segundo.

Uso y trato cuidadoso de herramientas eléctricas

- ▶ **No sobrecargue la herramienta eléctrica. Utilice la herramienta eléctrica adecuada para su aplicación.** Con la herramienta eléctrica adecuada podrá trabajar mejor y más seguro dentro del margen de potencia indicado.
- ▶ **No utilice la herramienta eléctrica si el interruptor está defectuoso.** Las herramientas eléctricas que no se puedan conectar o desconectar son peligrosas y deben hacerse reparar.
- ▶ **Saque el enchufe de la red y/o retire el acumulador desmontable de la herramienta eléctrica, antes de realizar un ajuste, cambiar de accesorio o al guardar la herramienta eléctrica.** Esta medida preventiva reduce el riesgo a conectar accidentalmente la herramienta eléctrica.
- ▶ **Guarde las herramientas eléctricas fuera del alcance de los niños. No permita la utilización de la herramienta eléctrica a aquellas personas que no estén familiarizadas con su uso o que no hayan leído estas instruccio-**

nes. Las herramientas eléctricas utilizadas por personas inexpertas son peligrosas.

- ▶ **Cuide las herramientas eléctricas y los accesorios. Controle la alineación de las piezas móviles, rotura de piezas y cualquier otra condición que pudiera afectar el funcionamiento de la herramienta eléctrica. En caso de daño, la herramienta eléctrica debe repararse antes de su uso.** Muchos de los accidentes se deben a herramientas eléctricas con un mantenimiento deficiente.
- ▶ **Mantenga los útiles limpios y afilados.** Los útiles mantenidos correctamente se dejan guiar y controlar mejor.
- ▶ **Utilice la herramienta eléctrica, los accesorios, los útiles, etc. de acuerdo a estas instrucciones, considerando en ello las condiciones de trabajo y la tarea a realizar.** El uso de herramientas eléctricas para trabajos diferentes de aquellos para los que han sido concebidas puede resultar peligroso.
- ▶ **Mantenga las empuñaduras y las superficies de las empuñaduras secas, limpias y libres de aceite y grasa.** Las empuñaduras y las superficies de las empuñaduras resbaladizas no permiten un manejo y control seguro de la herramienta eléctrica en situaciones imprevistas.

Trato y uso cuidadoso de herramientas accionadas por acumulador

- ▶ **Solamente recargar los acumuladores con los cargadores especificados por el fabricante.** Existe un riesgo de incendio al intentar cargar acumuladores de un tipo diferente al previsto para el cargador.
- ▶ **Utilice las herramientas eléctricas sólo con los acumuladores específicamente designados.** El uso de otro tipo de acumuladores puede provocar daños e incluso un incendio.
- ▶ **Si no utiliza el acumulador, guárdelo separado de objetos metálicos, como clips de papel, monedas, llaves, clavos, tornillos u otros objetos metálicos pequeños que pudieran puentear sus contactos.** El cortocircuito de los contactos del acumulador puede causar quemaduras o un incendio.
- ▶ **La utilización inadecuada del acumulador puede provocar fugas de líquido. Evite el contacto con él. En caso de un contacto accidental, enjuagar el área afectada con abundante agua. En caso de un contacto con los ojos, recurra además inmediatamente a ayuda médica.** El líquido del acumulador puede irritar la piel o producir quemaduras.
- ▶ **No emplee acumuladores o útiles dañados o modificados.** Los acumuladores dañados o modificados pueden comportarse en forma imprevisible y producir un fuego, explosión o peligro de lesión.
- ▶ **No exponga un paquete de baterías o una herramienta eléctrica al fuego o a una temperatura demasiado alta.** La exposición al fuego o a temperaturas sobre 130 °C puede causar una explosión.
- ▶ **Siga todas las instrucciones para la carga y no cargue nunca el acumulador o la herramienta eléctrica a una temperatura fuera del margen correspondiente espe-**

cificado en las instrucciones. Una carga inadecuada o a temperaturas fuera del margen especificado puede dañar el acumulador y aumentar el riesgo de incendio.

Servicio

- ▶ **Únicamente deje reparar su herramienta eléctrica por un experto cualificado, empleando exclusivamente piezas de repuesto originales.** Solamente así se mantiene la seguridad de la herramienta eléctrica.
- ▶ **No repare los acumuladores dañados.** El entretenimiento de los acumuladores sólo debe ser realizado por el fabricante o un servicio técnico autorizado.

Indicaciones de seguridad para sierras de ingletes

- ▶ **Las sierras para cortar ingletes se han previsto para cortar madera o productos semejantes y no se pueden utilizar para el corte abrasivo de materiales metálicos tales como barras, varillas, tornillos, etc.** El polvo abrasivo provoca el atascamiento de piezas móviles tales como la caperuza protectora inferior. Las chispas del corte abrasivo queman la caperuza protectora inferior, la placa y otras piezas de plástico.
- ▶ **En lo posible, fije la pieza de trabajo con abrazaderas. En caso de sujetar la pieza de trabajo con la mano, mantenga siempre su mano alejada al menos 100 mm de cada lado de la hoja de sierra. No utilice esta sierra para cortar piezas, que son muy pequeñas para fijarlas en forma segura o sujetarlas con la mano.** Si coloca su mano demasiado cerca de la hoja de sierra, existe un elevado riesgo de lesión por el contacto con la misma.
- ▶ **La pieza de trabajo debe quedar inmovilizada ya sea con abrazaderas o por el apriete contra el tope y la mesa. No desplace la pieza de trabajo hacia la hoja de sierra y no corte nunca "a manos libres".** Las piezas de trabajo sueltas o móviles pueden salir disparadas a gran velocidad y causar lesiones.
- ▶ **Desplace la sierra a través de la pieza de trabajo. Evite tirar la sierra a través de la pieza de trabajo. Para hacer un corte, eleve el cabezal de la sierra y tirelo por sobre la pieza de trabajo sin cortar, arranque el motor, presione hacia abajo el cabezal de la sierra y desplace la sierra a través de la pieza de trabajo.** Al cortar tirando existe el peligro, que la hoja de sierra se suba a la pieza de trabajo y la unidad de la hoja de sierra se lance violentamente hacia el operador.
- ▶ **Nunca cruce su mano a través de la línea de corte prevista, ni delante ni detrás de la hoja de sierra.** El apoyo de la pieza de trabajo "a manos cruzadas", es decir, sostener la pieza de trabajo a la derecha de la hoja de sierra con la mano izquierda o viceversa, es muy peligroso.
- ▶ **Mientras la hoja de sierra esté girando, no acerque ninguna de las manos detrás del tope a menos de 100 mm de cualquier lado de la hoja de sierra, para remover retazos de madera o por cualquier otra razón.** Posiblemente la proximidad de la hoja de sierra giratoria a

su mano no es evidente y, por ello, puede lastimarse seriamente.

- ▶ **Examine la pieza de trabajo antes de realizar el corte. Si la pieza de trabajo está doblada o deformada, fijela con el lado curvado exterior hacia el tope. Asegúrese siempre, que a lo largo de la línea de corte no exista un intersticio entre la pieza de trabajo, el tope y la mesa.** Las piezas de trabajo dobladas o deformadas se pueden retorcer o dislocar y causar un atascamiento de la hoja de sierra giratoria durante el corte. No deben haber clavos u otros objetos extraños en la pieza de trabajo.
- ▶ **No use la sierra antes que la mesa esté libre de herramientas, desperdicios de madera, etc., con excepción de la pieza de trabajo.** Los desperdicios pequeños, las piezas de madera sueltas u otros objetos que entren en contacto con la hoja giratoria pueden salir lanzados con una alta velocidad.
- ▶ **Corte solamente una pieza de trabajo a la vez.** Las múltiples piezas de trabajo apiladas no se dejan fijar o sujetar adecuadamente y pueden atascar la hoja de sierra o dislocarse durante el corte.
- ▶ **Asegúrese que la sierra para cortar ingletes esté montada o emplazada sobre una superficie de trabajo plana y firme antes de su uso.** Una superficie de trabajo plana y firme reduce el peligro de la inestabilidad latente de la sierra oscilante para cortar ingletes.
- ▶ **Planifique su trabajo. Cada vez que modifique la inclinación de la hoja de sierra o el ángulo de inglete, asegúrese que el tope regulable esté correctamente ajustado y sujete la pieza de trabajo sin entrar en contacto con hoja de sierra o el sistema protector.** Sin conectar la herramienta y sin pieza de trabajo sobre la mesa, simular un movimiento de corte completo de la hoja de sierra para asegurarse que no existen impedimentos o peligros de cortar el tope.
- ▶ **En el caso de una pieza de trabajo más ancha o larga que la superficie de la mesa, prevea un apoyo adecuado como por ejemplo prolongaciones de mesa, caballetes para aserrar, etc.** Las piezas de trabajo más largas o anchas que la mesa de la sierra oscilante para cortar ingletes pueden inclinarse, si no están adecuadamente apoyadas. Si se inclina un pedazo de madera cortado o la pieza de trabajo, pueden elevar la caperuza protectora inferior o ser lanzados por la hoja de sierra giratoria.
- ▶ **No solicite la ayuda de otra persona como sustituto de una prolongación de mesa o un apoyo adicional.** Un apoyo inestable de la pieza de trabajo puede causar el atascamiento de la hoja de sierra o el desplazamiento de la pieza de trabajo durante el corte, tirándolo a usted así como también al ayudante hacia la hoja de sierra giratoria.
- ▶ **En ningún caso se debe empujar o presionar la pieza cortada contra la hoja de sierra giratoria.** Si hay poco espacio, p. ej. al usar topes longitudinales, la pieza cortada puede atascarse contra la hoja de sierra y salir lanzada violentamente.
- ▶ **Utilice siempre una abrazadera o un dispositivo adecuado para sujetar correctamente los materiales redondos como barras o tubos.** Las barras tienden a rodar durante el corte, por cuyo motivo se puede "agarrotar" la hoja y así tirar la pieza de trabajo con su mano hacia la hoja de sierra.
- ▶ **Deje que la hoja alcance el pleno número de revoluciones antes de comenzar con el corte de la pieza de trabajo.** Esto reduce el peligro del lanzamiento de la pieza de trabajo.
- ▶ **En el caso de un atascamiento de la pieza de trabajo o de la hoja, desconecte la sierra para cortar ingletes. Espere, hasta que se detengan todas las piezas móviles y saque el enchufe de la red y/o el acumulador. A continuación, retire el material atascado.** Si continúa aserrando con la pieza de trabajo atascada, puede causar una pérdida de control o un daño a la sierra oscilante para cortar ingletes.
- ▶ **Una vez finalizado el corte, suelte el interruptor, mantenga abajo el cabezal de la sierra y espere hasta la detención de la hoja antes de retirar la pieza cortada.** Es muy peligroso llevar la mano a las cercanías de la hoja aún en movimiento hasta la parada.
- ▶ **Sujete firmemente la empuñadura al realizar un corte incompleto o al soltar el interruptor, antes que el cabezal de la sierra haya alcanzado completamente su posición inferior.** El efecto de frenado de la sierra puede tirar el cabezal de la sierra repentinamente hacia abajo, causando así un peligro de lesión.
- ▶ **No suelte la empuñadura cuando el cabezal de la sierra haya alcanzado la posición inferior. Devuelva siempre el cabezal de la sierra a la posición superior manualmente.** Si el cabezal de la sierra se mueve sin control, puede conducir a un riesgo de lesiones.
- ▶ **Mantenga limpio su puesto de trabajo.** Las mezclas de materiales son particularmente peligrosas. El polvo de metal ligero puede arder o explotar.
- ▶ **No use hojas de sierra melladas, fisuradas, deformadas, ni dañadas. Las hojas de sierra con dientes mellados o incorrectamente triscados producen una ranura de corte demasiado estrecha, lo que provoca una fricción excesiva y el atasco de la hoja de sierra o el retroceso brusco de la pieza de trabajo.**
- ▶ **No use hojas de sierra de acero rápido de alta aleación (acero HSS).** Las hojas de sierra de este tipo pueden romperse fácilmente.
- ▶ **Utilice siempre hojas de sierra con agujeros de eje del tamaño y la forma correctos (de diamante/redondas).** Las hojas de sierra que no coincidan con el mecanismo de montaje de la sierra se descentrarán y provocarán una pérdida del control.
- ▶ **Nunca intente retirar restos de material, virutas, o cosas similares del área de corte con la herramienta eléctrica en funcionamiento.** Antes de desconectar la herramienta eléctrica gire primeramente el brazo de la herramienta a la posición de reposo.

- ▶ **Después de trabajar con la hoja de sierra, espere a que ésta se haya enfriado antes de tocarla.** La hoja de sierra puede llegar a ponerse muy caliente al trabajar.
- ▶ **En caso de daño y uso inapropiado del acumulador pueden emanar vapores. El acumulador se puede quemar o explotar.** En tal caso, busque un entorno con aire fresco y acuda a un médico si nota molestias. Los vapores pueden llegar a irritar las vías respiratorias.
- ▶ **No intente abrir el acumulador.** Podría provocar un cortocircuito.
- ▶ **Mediante objetos puntiagudos, como p. ej. clavos o destornilladores, o por influjo de fuerza exterior se puede dañar el acumulador.** Se puede generar un cortocircuito interno y el acumulador puede arder, humear, explotar o sobrecalentarse.
- ▶ **Utilice el acumulador únicamente en productos del fabricante.** Solamente así queda protegido el acumulador contra una sobrecarga peligrosa.



Proteja la batería del calor excesivo, además de, p. ej., una exposición prolongada al sol, la suciedad, el fuego, el agua o la humedad. Existe riesgo de explosión y cortocircuito.



- ▶ **Este aparato no está previsto para la utilización por personas (inclusive niños) con limitadas capacidades físicas, sensoriales o intelectuales o con falta de experiencia y conocimientos, a menos que sean supervisados por una persona responsable de su seguridad o hayan sido instruidos por la misma en la utilización del aparato.**
- ▶ **Los niños deben ser supervisados para asegurarse de que no usen el aparato como un juguete.**
- ▶ **Jamás desvirtúe las señales de advertencia de la herramienta eléctrica.**
- ▶ **La herramienta eléctrica se suministra con un rótulo de advertencia láser (ver tabla «Simbología y su significado»).**



No oriente el rayo láser sobre personas o animales y no mire hacia el rayo láser directo o reflejado. Debido a ello, puede deslumbrar personas, causar accidentes o dañar el ojo.

- ▶ **Si la radiación láser incide en el ojo, debe cerrar conscientemente los ojos y mover inmediatamente la cabeza fuera del rayo.**
- ▶ **No utilice instrumentos ópticos convergentes como anteojos de larga vista etc. para observar la fuente de radiación.** Con ellos pueden dañarse los ojos.
- ▶ **No dirija el rayo láser sobre personas, que están mirando a través de anteojos de larga vista o semejantes.** Con ello puede dañar sus ojos.
- ▶ **No efectúe modificaciones en el equipamiento del láser.** Las posibilidades de ajuste descritas en estas instrucciones de servicio las puede utilizar sin peligro.
- ▶ **No utilice las gafas de visualización láser (accesorio) como gafas protectoras.** Las gafas de visualización láser

sirven para detectar mejor el rayo láser; sin embargo, éstas no protegen contra la radiación láser.

- ▶ **No utilice las gafas de visualización láser (accesorio) como gafas de sol o en el tráfico.** Las gafas de visualización láser no proporcionan protección UV completa y reducen la percepción del color.
- ▶ **Precaución – si se utilizan dispositivos de manejo o de ajuste distintos a los especificados en este documento o si se siguen otros procedimientos, esto puede conducir a una peligrosa exposición a la radiación.**
- ▶ **No sustituya el láser montado por uno de otro tipo.** La utilización de un láser inadecuado para esta herramienta eléctrica puede suponer un riesgo para las personas.
- ▶ **¡Cuidado! El uso de la herramienta eléctrica con Bluetooth® puede provocar anomalías en otros aparatos y equipos, en aviones y en aparatos médicos (p. ej. marcapasos, audífonos, etc.). Tampoco puede descartarse por completo el riesgo de daños en personas y animales que se encuentren en un perímetro cercano.** No utilice la herramienta eléctrica con Bluetooth® cerca de aparatos médicos, gasolineras, instalaciones químicas, zonas con riesgo de explosión ni en zonas con atmósfera potencialmente explosiva. No utilice tampoco la herramienta eléctrica con Bluetooth® a bordo de aviones. Evite el uso prolongado de este aparato en contacto directo con el cuerpo.

La marca de palabra Bluetooth® como también los símbolos (logotipos) son marcas registradas y propiedad de Bluetooth SIG, Inc. Cada utilización de esta marca de palabra/símbolo por Robert Bosch Power Tools GmbH tiene lugar bajo licencia.

Símbolos

Los símbolos mostrados a continuación pueden ser de importancia en el uso de la herramienta eléctrica. Es importante que retenga en su memoria estos símbolos y su significado. La interpretación correcta de estos símbolos le ayudará a manejar mejor, y de forma más segura, la herramienta eléctrica.

Simbología y su significado



Radiación láser
No mire directamente con ópticas de telescopio
Láser clase 1M



Mantenga las manos alejadas del área de corte durante el funcionamiento de la herramienta eléctrica. Peligro de lesiones al tocar la hoja de sierra.



Colóquese una máscara contra el polvo.

Simbología y su significado



Use gafas protectoras.



Utilice orejeras. El ruido intenso puede provocar sordera.



¡Área de peligro! Mantenga manos, dedos y brazos alejados de esta zona.

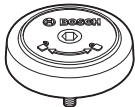


Tenga cuidado de no pillarse los dedos con las partes móviles del brazo deslizante. Podría sufrir magulladuras y lesiones graves en los dedos.



Tenga en cuenta las dimensiones de la hoja de sierra. El orificio debe ajustarse sin holgura en el husillo portaútiles. En caso de que sea necesaria la utilización de reductores, preste atención a que las dimensiones del reductor sean las adecuadas para el grosor del disco de soporte y el diámetro del orificio de la hoja de sierra, así como para el diámetro del husillo portaútiles. Utilice en la medida de lo posible los reductores suministrados con la hoja de sierra.

El diámetro de la hoja de sierra debe corresponder a la indicación del símbolo.



Indica el sentido de giro del perno SDS para apretar firmemente la hoja de sierra (en sentido contrario de las agujas del reloj) y para soltar la hoja de sierra (en sentido de las agujas del reloj).



Para transportarla, sujete la herramienta eléctrica en los puntos aquí marcados (cavidades) o por la empuñadura de transporte.



No transporte la herramienta eléctrica agarrándola por la empuñadura del brazo deslizante.



Con ángulos de inglete verticales, es necesario desplazar o retirar completamente la prolongación derecha o izquierda del riel de tope.



En combinación con los acumuladores ProCORE-18V, el nuevo motor de alto

Simbología y su significado

rendimiento ofrece un rendimiento comparable al de los motores de las herramientas eléctricas por cable.



Empuñadura perfilada abierta: Se pueden ajustar ángulos de inglete verticales.

Empuñadura perfilada cerrada: Bloqueo del ángulo de inglete vertical ajustado en el brazo deslizante.



Muestra los diversos pasos en el ajuste del ángulo de inglete vertical.

1. Suelte la empuñadura perfilada
2. Gire ligeramente el brazo deslizante hacia la izquierda
3. Configure el margen del ángulo de inglete vertical deseado en el pomo de ajuste



Configuración de los márgenes de ángulo de inglete verticales en el pomo de ajuste:



Inclinación de la hoja de sierra hacia la izquierda (45° a 0°)



Inclinación de la hoja de sierra hacia la derecha (0° a 45°)



Margen total de inclinación del brazo deslizante (-47° a +47°)

Descripción del producto y servicio



Lea íntegramente estas indicaciones de seguridad e instrucciones. Las faltas de observación de las indicaciones de seguridad y de las instrucciones pueden causar descargas eléctricas, incendios y/o lesiones graves.

Por favor, observe las ilustraciones en la parte inicial de las instrucciones de servicio.

Utilización reglamentaria

La herramienta eléctrica ha sido proyectada para realizar estacionariamente cortes rectilíneos a lo largo y a lo ancho en madera. En ello, es posible ajustar ángulos de inglete horizontales de -52° hasta +60° así como ángulos de inglete verticales de 47° (lado izquierdo) hasta 47° (lado derecho).

La herramienta eléctrica ha sido dotada con una potencia propicia para serrar maderas duras, blandas, tableros de aglomerado y de fibras.

Empleando las hojas de sierra correspondientes es posible serrar también perfiles de aluminio y plástico.

Los datos y las configuraciones de la herramienta eléctrica se pueden transmitir con el módulo *Bluetooth*® Low Energy

Module **GCY 42** colocado, mediante la tecnología de radio-comunicación *Bluetooth*[®], entre la herramienta eléctrica y un aparato móvil final.

Componentes principales

La numeración de los componentes está referida a la imagen de la herramienta eléctrica en la página ilustrada.

- | | |
|---|---|
| (1) Empuñadura | (36) Escala para ángulos de inglete (vertical) |
| (2) Bloqueo de conexión para interruptor de conexión/desconexión | (37) Indicador de ángulo para el margen de ángulo de inglete izquierdo (47° hasta 0°) (vertical) |
| (3) Interfaz de usuario | (38) Botón de ajuste del ángulo de inglete de 22,5° (vertical) |
| (4) Cubierta protectora | (39) Tornillo de retención del tope longitudinal |
| (5) Cubierta protectora pendular | (40) Tope longitudinal |
| (6) Riel de tope ajustable | (41) Escala para ángulo de inglete (horizontal) |
| (7) Regleta tope | (42) Mesa de corte |
| (8) Prolongación de mesa | (43) Pomo de ajuste del margen del ángulo de inglete (vertical) |
| (9) Taladros de sujeción | (44) Hoja de sierra |
| (10) Placa de inserción | (45) Abertura de salida del rayo láser |
| (11) Clip de enclavamiento | (46) Indicador del estado de carga del acumulador (interfaz de usuario) |
| (12) Mango de bloqueo para ángulos de inglete discretos (horizontal) | (47) Indicador de modo ECO (interfaz del usuario) |
| (13) Palanca para ajuste de ángulos de inglete estándar (horizontal) | (48) Tecla para la preselección de revoluciones (interfaz de usuario) |
| (14) Palanca de enclavamiento para ángulos de inglete discretos (vertical) | (49) Indicador de escalón de número de revoluciones/modo (interfaz del usuario) |
| (15) Muestras para ángulos de inglete estándar (horizontales) | (50) Indicador de teléfono inteligente (interfaz de usuario) |
| (16) Cavidades | (51) Indicador del estado de la herramienta eléctrica (interfaz de usuario) |
| (17) Llave macho hexagonal (6 mm/4 mm) | (52) Indicador de temperatura (interfaz de usuario) |
| (18) Llave macho hexagonal (2 mm) | (53) Bloqueo del husillo |
| (19) Tornillo de apriete | (54) Tornillo con hexágono interior para sujeción de la hoja de sierra |
| (20) Rodillo de deslizamiento | (55) Brida de apriete |
| (21) Indicador de ángulo para el margen de ángulo de inglete derecho (0° hasta 47°) (vertical) | (56) Brida de apriete interior |
| (22) Protección contra virutas | (57) Palanca de apriete de prolongación de la mesa |
| (23) Perno SDS | (58) Tornillo de retención de la regleta tope ajustable |
| (24) Expulsor de virutas | (59) Amortiguador |
| (25) Palanca de apriete del mecanismo de deslizamiento | (60) Tornillos de reglaje del amortiguador |
| (26) Adaptador de aspiración | (61) Taladros para tornillos de apriete |
| (27) Tornillo de reglaje del tope de profundidad | (62) Tornillo de mariposa |
| (28) Tope de profundidad | (63) Barra roscada |
| (29) Señal de aviso láser | (64) Indicador de ángulos de inglete (horizontales) |
| (30) Tapa de protección del láser | (65) Interruptor de conexión/desconexión |
| (31) Cubierta del módulo <i>Bluetooth</i> [®] Low Energy Module GCY 42 | (66) Tornillos de placa de inserción |
| (32) Acumulador ^{a)} | (67) Tornillo de sujeción del tope longitudinal |
| (33) Tecla de desenclavamiento del acumulador ^{a)} | (68) Tornillo de ajuste de posición del láser (concordancia) |
| (34) Brazo deslizante | (69)/
(70)/
(71) Tornillos de reglaje para el ajuste básico de 0° (ángulo de inglete vertical) |
| (35) Seguro para transporte | (72) Tornillo de reglaje para el ajuste básico de 45° (ángulo de inglete vertical izquierdo) |
| | (73) Tornillo de reglaje para el ajuste básico de 45° (ángulo de inglete vertical derecho) |

- (74) Tornillos de ajuste de la escala para el ángulo de inglete (horizontal)
- (75) Tornillo de indicador de ángulos (horizontal)
- (76) Tornillo de ajuste de la fuerza de sujeción de palanca correspondiente para cualquier ángulo de inglete (vertical)
- a) Los accesorios descritos e ilustrados no corresponden al material que se adjunta de serie. La gama completa de accesorios opcionales se detalla en nuestro programa de accesorios.

Datos técnicos

Ingletadora telescópica		GCM 18V-305 GDC	
Número de artículo		3 601 M43 0..	
Tensión nominal	V=	18	
Número de revoluciones en vacío ^{A)}	min ⁻¹	3000-4000	
Número de revoluciones en vacío en modo ECO ^{A)}	min ⁻¹	2550	
Tipo de láser	nm	650	
	mW	< 1	
Clase de láser		1M	
Divergencia de línea láser	mrad (ángulo completo)	1,0	
Peso según EPTA-Procedure 01:2014 ^{B)}	kg	26,9-27,8	
Temperatura ambiente recomendada durante la carga	°C	0 ... +35	
Temperatura ambiente permitida durante el servicio ^{C)} y en el almacenamiento	°C	-20 ... +50	
Acumuladores recomendados		GBA 18V... ProCORE18V...	
Cargadores recomendados		GAL 18... GAX 18... GAL 36...	
Transmisión de datos			
Bluetooth®		Bluetooth® 4.2 (Low Energy) ^{D)}	
Distancia de señal	s	8	
máximo alcance de señal ^{E)}	m	30	
Medidas que deberán cumplir las hojas de sierra			
Diámetro de la hoja de sierra	mm	305	
Grosor del disco base	mm	1,7-2,6	
máx. ancho de corte	mm	3,2	

Ingletadora telescópica GCM 18V-305 GDC

Diámetro de taladro mm 30

- A) Medido a 20-25 °C con acumulador **ProCORE18V 8.0Ah**.
- B) Dependiente del acumulador utilizado
- C) potencia limitada a temperaturas <0 °C
- D) Los aparatos finales móviles deben ser compatibles con aparatos *Bluetooth*®-Low-Energy (versión 4.2) y asistir el Generic Access Profile (GAP).
- E) El alcance puede variar fuertemente según las condiciones exteriores, inclusive el receptor utilizado. En el interior de espacios cerrados y por barreras metálicas (p. ej. paredes, estanterías, maletas, etc.), el alcance de *Bluetooth*® puede ser notoriamente menor.

Dimensiones admisibles de las piezas de trabajo (máxima/mínima): (ver "Dimensiones admisibles de las piezas de trabajo", Página 83)

Información sobre el ruido

Valores de emisión de ruidos determinados según **EN 62841-3-9**.

El nivel de ruidos valorado con A de la herramienta eléctrica asciende típicamente a: nivel de presión acústica **93 dB(A)**; nivel de potencia acústica **106 dB(A)**. Inseguridad K = **3 dB**.

¡Usar protección auditiva!

El valor de emisiones de ruidos indicado en estas instrucciones ha sido determinado según un procedimiento de medición normalizado y puede servir como base de comparación con otras herramientas eléctricas. También es adecuado para estimar provisionalmente la emisión de ruidos.

El valor de emisiones de ruidos indicado ha sido determinado para las aplicaciones principales de la herramienta eléctrica. Por ello, el valor de emisiones de ruidos puede ser diferente si la herramienta eléctrica se utiliza para otras aplicaciones, con útiles diferentes, o si el mantenimiento de la misma fuese deficiente. Ello puede suponer un aumento drástico de la emisión de ruidos durante el tiempo total de trabajo. Para determinar con exactitud las emisiones de ruidos, es necesario considerar también aquellos tiempos en los que el aparato esté desconectado, o bien, esté en funcionamiento, pero sin ser utilizado realmente. Ello puede suponer una disminución drástica de las emisiones de ruidos durante el tiempo total de trabajo.

Montaje

- **Desmonte el acumulador antes de manipular la herramienta eléctrica (p. ej. en el mantenimiento, cambio de útil, etc.) así como al transportarla y guardarla.** En caso contrario podría accidentarse al accionar fortuitamente el interruptor de conexión/desconexión.

Material que se adjunta



Observe la representación del volumen de suministro al comienzo de las instrucciones de servicio.

Antes de la primera puesta en marcha de la herramienta eléctrica, cerciórese de que se han suministrado todas las partes que a continuación se detallan:

- Ingletadora telescópica con hoja de sierra montada (44)
- Botón de fijación (12)
- Llave macho hexagonal (17)
- Llave macho hexagonal (18)
- Tornillo de apriete (19)
- Perno SDS (23)
- Saco colector de polvo

Indicación: Compruebe la herramienta eléctrica respecto a posibles daños.

Antes de seguir utilizando la herramienta eléctrica deberá controlarse minuciosamente si los dispositivos protectores, o las partes dañadas, aún si el daño fuese leve, funcionan correcta y reglamentariamente. Verifique si están dañadas las partes móviles y que puedan moverse libremente, sin atascarse. Todas las partes, además de estar correctamente montadas, deberán satisfacer todas las condiciones para asegurar una operación correcta.

Los dispositivos protectores y las partes dañadas deberán hacerse reparar o sustituir por un taller especializado autorizado.

Herramientas necesarias que no se adjuntan con el aparato:

- Destornillador de estrella
- Llave de boca (tamaño: 8 mm)
- Llave anular, de boca o de tubo (tamaños: 10 mm y 17 mm)

Activar el módulo *Bluetooth*® Low Energy Module GCY 42

Lea las correspondientes instrucciones de servicio respecto a las informaciones del módulo *Bluetooth*® Low Energy Module GCY 42.

Activar la pila en forma de botón

- Retire la cubierta del módulo *Bluetooth*® Low Energy Module GCY 42 (31).
- Retire el aislamiento entre la pila en forma de botón y el módulo *Bluetooth*® Low Energy Module GCY 42.
- Cierre la cubierta (31), para que no penetre suciedad.

► **Quite la cubierta del módulo *Bluetooth*® Low Energy Module GCY 42 de la herramienta eléctrica, p. ej. con un destornillador o una moneda grande.** Mediante la aplicación de objetos inadecuados, se puede dañar la electrónica o la cubierta.

Carga del acumulador

► **Utilice únicamente los cargadores que se enumeran en los datos técnicos.** Solamente estos cargadores han sido especialmente adaptados a los acumuladores de iones de litio empleados en su herramienta eléctrica.

Indicación: El acumulador se suministra parcialmente cargado. Con el fin de obtener la plena potencia del acumulador,

antes de su primer uso, cárguelo completamente en el cargador.

El acumulador de iones de litio puede recargarse siempre que se quiera, sin que ello merme su vida útil. Una interrupción del proceso de carga no afecta al acumulador.

El acumulador de iones de litio está protegido contra descarga total gracias al sistema de protección electrónica de celdas "Electronic Cell Protection (ECP)". Si el acumulador está descargado, un circuito de protección se encarga de desconectar la herramienta eléctrica. El útil deja de moverse.

► **En caso de una desconexión automática de la herramienta eléctrica no mantenga accionado el interruptor de conexión/desconexión.** El acumulador podría dañarse.

Observe las indicaciones referentes a la eliminación.



Desmontaje del acumulador

La batería (32) dispone de dos etapas de enclavamiento para evitar que se salga en caso de accionamiento accidental de la tecla de desenclavamiento del acumulador (33). Mientras la batería esté montada en la herramienta eléctrica, permanecerá retenida en su posición mediante un resorte.

Para la extracción del acumulador, presione la tecla de desenclavamiento y retire el acumulador de la herramienta eléctrica. **No proceda con brusquedad.**

Indicador del estado de carga del acumulador

Los LEDs verdes del indicador del estado de carga del acumulador indican el estado de carga del acumulador. Por motivos de seguridad, la consulta del estado de carga es solo posible con la herramienta eléctrica parada.

Presione la tecla del indicador de estado de carga  o , para indicar el estado de carga. Esto también es posible con el acumulador desmontado.

Si tras presionar la tecla del indicador de estado de carga no se enciende ningún LED, significa que el acumulador está defectuoso y debe sustituirse.

Indicación: El estado de carga del acumulador también se indica en la interfaz de usuario (3).

Tipo de acumulador GBA 18V...



LEDs	Capacidad
Luz permanente 3× verde	60–100 %
Luz permanente 2× verde	30–60 %
Luz permanente 1× verde	5–30 %
Luz intermitente 1× verde	0–5 %

Tipo de acumulador ProCORE18V...

LEDs	Capacidad
Luz permanente 5 × verde	80–100 %
Luz permanente 4 × verde	60–80 %
Luz permanente 3 × verde	40–60 %
Luz permanente 2 × verde	20–40 %
Luz permanente 1 × verde	5–20 %
Luz intermitente 1 × verde	0–5 %

Montaje de componentes

- Saque cuidadosamente del embalaje todas las partes suministradas.
- Retire completamente todo el material de embalaje del aparato y de los accesorios suministrados.

Montaje del mango de bloqueo (ver figura a)

- Enrosque el mango de bloqueo (12) en el orificio correspondiente encima de la palanca (13).
- ▶ **Siempre apriete firmemente el mango de bloqueo (12) antes de serrar.** De lo contrario podría llegar a ladearse la hoja de sierra en la pieza de trabajo.

Montaje estacionario o transitorio

- ▶ **Para garantizar un manejo seguro deberá trabajarse con la herramienta eléctrica colocándola sobre una base de trabajo plana y estable (p. ej. un banco de trabajo).**

Montaje sobre una superficie de trabajo (ver figura b1)

- Sujete la herramienta eléctrica a la superficie de trabajo con unos tornillos de sujeción adecuados. Para ello se utilizan los agujeros (9).

o

- Sujete los pies de la herramienta eléctrica a la superficie de trabajo con unos tornillos de apriete convencionales.

Montaje en una mesa de trabajo Bosch (ver figura b2)

(GTA 2500 W, GTA 2500 Compact, GTA 2600, GTA 3800)

Las mesas de trabajo GTA de Bosch soportan perfectamente la herramienta eléctrica incluso en firmes irregulares, gracias a sus pies ajustables en altura. Los soportes de la pieza de trabajo que integran las mesas de trabajo sirven para apoyar piezas de trabajo largas.

- ▶ **Lea íntegramente las advertencias de peligro e instrucciones que se adjuntan con la mesa de trabajo.** En caso de no atenderse a las advertencias de peligro e instrucciones, ello puede ocasionar una electrocución, un incendio y/o lesión grave.
- ▶ **Ensamble correctamente la mesa de trabajo antes de montar la herramienta eléctrica.** Un ensamble correcto

es primordial para conseguir una buena estabilidad y evitar accidentes.

- Monte la herramienta eléctrica, teniéndola colocada en la posición de transporte, sobre la mesa de trabajo.

Aspiración de polvo y virutas

El polvo de ciertos materiales como, pinturas que contengan plomo, ciertos tipos de madera y algunos minerales y metales, puede ser nocivo para la salud. El contacto y la inspiración de estos polvos pueden provocar en el usuario o en las personas circundantes reacciones alérgicas y/o enfermedades respiratorias.

Ciertos polvos como los de roble, encina y haya son considerados como cancerígenos, especialmente en combinación con los aditivos para el tratamiento de la madera (cromatos, conservantes de la madera). Los materiales que contengan amianto solamente deberán ser procesados por especialistas.

- A ser posible utilice un equipo para aspiración de polvo apropiado para el material a trabajar.
- Observe que esté bien ventilado el puesto de trabajo.
- Se recomienda una mascarilla protectora con un filtro de la clase P2.

Observe las prescripciones vigentes en su país sobre los materiales a trabajar.

▶ Evite acumulaciones de polvo en el puesto de trabajo.

Los materiales en polvo se pueden inflamar fácilmente.

El conducto de aspiración de polvo y virutas puede llegar a obstruirse con polvo, virutas o fragmentos de la pieza de trabajo.

- Apague la herramienta eléctrica y extraiga la batería.
- Espere, a que se haya detenido completamente la hoja de sierra.
- Determine y subsane la causa de la obstrucción.

Aspiración externa

Para la aspiración, al adaptador de aspiración (26) puede conectar también una manguera de un aspirador (Ø 35 mm).

- Una la manguera del aspirador con el adaptador para aspiración (26).

El aspirador debe ser adecuado para el material a trabajar.

Para aspirar polvo especialmente nocivo para la salud, cancerígeno, o polvo seco utilice un aspirador especial.

Limpeza del adaptador de aspiración

Para garantizar una aspiración óptima, el adaptador de aspiración (26) debe limpiarse periódicamente.

- Extraiga el adaptador de aspiración (26) de la expulsión de virutas (24) al mismo tiempo que lo gira.
- Retire las astillas y las virutas.
- Meta a presión girando el adaptador de aspiración en el expulsor de virutas hasta lograr que enclave en el anillo de retención.

Cambio de la hoja de sierra

- ▶ **Desmunte el acumulador antes de manipular la herramienta eléctrica (p. ej. en el mantenimiento, cambio**

de útil, etc.) así como al transportarla y guardarla. En caso contrario podría accidentarse al accionar fortuitamente el interruptor de conexión/desconexión.

- ▶ **Al montar la hoja de sierra utilice unos guantes de protección.** Al tocar la hoja de sierra existe peligro de lesiones.

Solamente use hojas de sierra cuyas revoluciones máximas admisibles sean superiores a las revoluciones en vacío de la herramienta eléctrica.

Únicamente use hojas de sierra con las características indicadas en estas instrucciones de manejo que hayan sido ensayadas y vayan marcadas conforme a EN 847-1.

Solamente utilice hojas de sierra recomendadas por el fabricante de esta herramienta eléctrica, adecuadas al material a trabajar. Esto evita un sobrecalentamiento de los dientes de la sierra al serrar.

Montaje con tornillo con hexágono interior (ver figuras c1-c4)

Desmontaje de la hoja de sierra

- Coloque la herramienta eléctrica en la posición de trabajo.
- Gire la caperuza protectora pendular (5) hacia atrás y manténgala en esa posición.
- Gire el tornillo con hexágono interior (54) con la llave macho hexagonal (4 mm) (17) y presione simultáneamente el bloqueo del husillo (53), hasta que encastre.
- Mantenga oprimido el bloqueo del husillo (53) y desenrosque el tornillo con hexágono interior (54) en sentido de giro de las agujas del reloj (¡Rosca a la izquierda!).
- Retire la brida tensora (55).
- Retire la hoja de sierra (44).
- Guíe lentamente hacia abajo la caperuza protectora pendular.

Montaje de la hoja de sierra

- ▶ **¡Preste atención en el montaje a que el sentido de corte de los dientes (dirección de la flecha en la hoja de sierra) coincida con la dirección de la flecha que va marcada en la caperuza protectora!**

Si fuese necesario, limpie primero las piezas antes de montarlas.

- Gire la caperuza protectora pendular (5) hacia atrás y manténgala en esa posición.
- Coloque la nueva hoja de sierra en la brida tensora interior (56).
- Coloque la brida tensora (55) y el tornillo con hexágono interior (54). Presione el bloqueo del husillo (53) hasta su encastre y apriete el tornillo con hexágono interior contra el sentido de giro de las agujas del reloj.
- Guíe lentamente hacia abajo la caperuza protectora pendular.

Montaje con perno SDS (ver figura d)

- ▶ **En el caso de los cortes de inglete verticales y la utilización del perno SDS (23) debe asegurarse de que el tope de profundidad (28) esté bien ajustado antes de serrar, para que el perno SDS no puede tocar la super-**

ficie de la pieza de trabajo en ningún momento. Esto evita que el perno SDS y/o la pieza de trabajo se dañen.

Desmontaje de la hoja de sierra

- Coloque la herramienta eléctrica en la posición de trabajo.
- Gire la caperuza protectora pendular (5) hacia atrás y manténgala en esa posición.
- Gire el perno SDS (23) y simultáneamente presione el bloqueo del husillo (53), hasta que encastre.
- Mantenga oprimido el bloqueo del husillo (53) y desatornille el perno SDS (23) en sentido de giro de las agujas del reloj (¡Rosca a la izquierda!).
- Retire la brida tensora (55).
- Retire la hoja de sierra (44).
- Guíe lentamente hacia abajo la caperuza protectora pendular.

Montaje de la hoja de sierra

- ▶ **¡Preste atención en el montaje a que el sentido de corte de los dientes (dirección de la flecha en la hoja de sierra) coincida con la dirección de la flecha que va marcada en la caperuza protectora!**

Si fuese necesario, limpie primero las piezas antes de montarlas.

- Gire la caperuza protectora pendular (5) hacia atrás y manténgala en esa posición.
- Coloque la nueva hoja de sierra en la brida tensora interior (56).
- Coloque la brida de apriete (55) y el perno SDS (23). Presione el bloqueo del husillo (53), hasta su encastre y apriete el perno SDS contra el sentido de giro de las agujas del reloj.
- Guíe lentamente hacia abajo la caperuza protectora pendular.

Operación

- ▶ **Desmonte el acumulador antes de manipular la herramienta eléctrica (p. ej. en el mantenimiento, cambio de útil, etc.) así como al transportarla y guardarla.** En caso contrario podría accidentarse al accionar fortuitamente el interruptor de conexión/desconexión.

Seguro para el transporte (ver figura A)

El seguro para el transporte (35) le permite un manejo más fácil de la herramienta eléctrica al transportarla a diferentes lugares de aplicación.

Desenclavamiento del seguro de la herramienta eléctrica (posición de trabajo)

- Presione el brazo deslizante (34) por la empuñadura (1) ligeramente hacia abajo para liberar el seguro para el transporte (35).
- Tire del seguro para el transporte (35) totalmente hacia fuera.
- Guíe lentamente hacia arriba el brazo deslizante (34).

Enclavamiento del seguro de la herramienta eléctrica (posición de transporte)

- Deslice el brazo deslizante (34) totalmente hacia atrás y fíjelo en esta posición.
- Mueva el brazo deslizante hacia abajo, hasta que el seguro de transporte (35) se pueda empujar completamente hacia adentro.

Indicaciones adicionales: (ver "Transporte (ver figura Z)", Página 86)

Bloqueo del brazo deslizante

El mecanismo del brazo deslizante (34) puede bloquearse con la palanca de apriete (25). Es posible ajustar el brazo deslizante en dos posiciones:

- Brazo deslizante completamente deslizado hacia atrás (para cortes transversales)
- Brazo deslizante completamente deslizado hacia delante (posición de transporte compacta)

Desbloqueo del brazo deslizante (ver figura B1)

Una vez desbloqueado el brazo deslizante (34), todo el mecanismo de deslizamiento está listo para utilizarse.

- Presione la palanca de apriete (25) hacia abajo hasta el tope.
- La cuña de retención de la palanca de apriete libera ambas articulaciones del brazo deslizante.

Bloqueo del brazo deslizante (ver figura B2)

Brazo deslizante completamente deslizado hacia atrás:

- Desplace el brazo deslizante (34) hacia atrás hasta el tope.

- Ambas articulaciones superiores del brazo deslizante se encuentran ahora en posición vertical y están cerradas.
- Empuje hacia arriba la palanca de apriete (25) de manera que la cuña de retención quede colocada entre ambas articulaciones inferiores del brazo deslizante.
- Con ello se bloquea el brazo deslizante (34) situado en la posición tope posterior.

Brazo deslizante completamente deslizado hacia delante:

- Tire del brazo deslizante (34) hacia delante hasta el tope.
- El mecanismo de deslizamiento está ahora completamente sacado.
- Empuje hacia arriba la palanca de apriete (25) de manera que la cuña de retención quede colocada entre ambas articulaciones inferiores del brazo deslizante.
- Con ello se bloquea el brazo deslizante (34) situado en la posición tope anterior.

Preparativos para el trabajo

Prolongación de la mesa de corte (ver figura C)

En las piezas de trabajo largas deberá apoyarse correspondientemente su extremo libre.

La mesa de corte se puede agrandar hacia la izquierda y hacia la derecha con la ayuda de las prolongaciones de la mesa de corte (8).

- Mueva la palanca de apriete (57) hacia dentro.
- Tire de la prolongación de la mesa de corte (8) hacia afuera hasta la longitud deseada (máximo 250 mm).
- Para fijar las prolongaciones de la mesa de corte, presione la palanca de apriete (57) de nuevo hacia fuera.

Desplazamiento de la regleta tope (ver figuras D-E)

En el caso de ángulos de inglete verticales y/u horizontales, y según el sentido de corte, debe tirar hacia afuera la regleta tope ajustable izquierda o derecha (6) o retirarla totalmente.

Ángulo de inglete vertical	Ángulo de inglete horizontal	
0°-47° (izquierda)	≤ 44° (derecha/izquierda)	– Afloje el tornillo de retención (58). – Tire completamente hacia afuera de la regleta tope ajustable izquierda (6).
0°-47° (izquierda)	≥ 45° (derecha/izquierda)	– Afloje el tornillo de retención (58). – Tire completamente hacia afuera de la regleta tope ajustable izquierda (6). – Retire hacia arriba la regleta tope ajustable. – Retire el tornillo de retención (58).
0°-47° (derecha)	≤ 44° (derecha/izquierda)	– Afloje el tornillo de retención (58). – Tire completamente hacia afuera de la regleta tope ajustable derecha (6). – Retire hacia arriba la regleta tope ajustable.
0°-47° (derecha)	≥ 45° (derecha/izquierda)	

Ajuste de la amortiguación del brazo deslizante (ver figura F)

El mecanismo de deslizamiento del brazo deslizante (34) viene configurado de fábrica y no está amortiguado en el momento del suministro de la herramienta.

Usted puede ajustar individualmente la amortiguación del mecanismo de deslizamiento en el amortiguador (59):

- dura – mejor control de los movimientos al trabajar;
- blanda – serrado rápido.

- Afloje ambos tornillos de ajuste **(60)** con la llave macho hexagonal (4 mm) **(17)** para una amortiguación **suave**
- o
- apriete ambos tornillos de ajuste **(60)** con mayor firmeza para una amortiguación más **fuerte**.

Sujeción de la pieza de trabajo (ver figura G)

Para obtener una seguridad máxima en el trabajo deberá sujetarse siempre firmemente la pieza.

No sierre piezas tan pequeñas que no puedan sujetarse convenientemente.

- Presione la pieza de trabajo firmemente contra las regletas topes **(7)** y **(6)**.
- Introduzca el tornillo de apriete **(19)** suministrado en uno de los taladros **(61)** previstos para el caso.
- Afloje el tornillo de mariposa **(61)** y adapte la mordaza de rosca al tamaño de la pieza de trabajo. Apriete nuevamente el tornillo de mariposa.
- Apriete la barra roscada **(63)** y fije así la pieza de trabajo.

Desmontaje de la pieza de trabajo

- Para soltar el tornillo de apriete gire la barra roscada **(63)** en sentido antihorario.

Ajuste del ángulo de inglete horizontal

Ajuste de los ángulos de inglete horizontales estándar (ver figura H)

Para un ajuste rápido y preciso de los ángulos de inglete horizontales de uso frecuente, se han previsto muescas **(15)** en la mesa de corte:

izquierda	derecha
0°	
45°; 31,6°; 22,5°; 15°	15°; 22,5°; 31,6°; 45°; 60°

- Suelte el mango de bloqueo **(12)**, si estaba apretado.
- Tire de la palanca **(13)** y gire la mesa de corte **(42)** hasta la muesca deseada, hacia la izquierda o hacia la derecha.
- Suelte la palanca. Ésta deberá enclavar en la muesca de forma perceptible.
- Apriete de nuevo el mango de bloqueo **(12)**.

Ajuste de los ángulos de inglete horizontales discrecionales (ver figura I)

El ángulo de inglete horizontal puede ajustarse dentro de un margen de 52° (hacia la izquierda) hasta 60° (hacia la derecha).

- Suelte el mango de bloqueo **(12)**, si estaba apretado.
- Tire la palanca **(13)** y presione simultáneamente el clip de enclavamiento **(11)** hasta que este encastre en la ranura prevista. Esto permite el libre movimiento de la mesa de corte.
- Gire la mesa de corte **(42)** por el mango de bloqueo hacia la izquierda o la derecha hasta que el indicador de ángulo **(64)** indique el ángulo de inglete horizontal deseado.
- Apriete de nuevo el mango de bloqueo **(12)**.
- Para liberar de nuevo la palanca **(13)** (para ajustar ángulos de inglete horizontales estándar) tire de la palanca ha-

cia arriba.

El clip de enclavamiento **(11)** salta automáticamente a la posición de partida, permitiendo que la palanca **(13)** pueda enclavar de nuevo en las muescas **(15)**.

Ajuste del ángulo de inglete vertical

El ángulo de inglete vertical puede ajustarse dentro de un margen de 47° (hacia la izquierda) hasta 47° (hacia la derecha).

Existen unos topes que permiten ajustar de forma rápida y exacta los ángulos de inglete verticales más comunes de 0°, 22,5°, 45° y 47°.

Ajuste del margen de ángulos de inglete verticales a la izquierda (45° a 0°)

L

- Tire completamente hacia afuera de la regleta tope ajustable izquierda **(6)**.
- Suelte la palanca de apriete **(14)**.
- Gire el brazo deslizante **(34)** por la empuñadura **(1)** hacia la izquierda, hasta que el indicador de ángulo **(37)** indique el ángulo de inglete vertical deseado.
- Mantenga el brazo deslizante **(34)** en esta posición y apriete de nuevo la palanca de sujeción **(14)**.

La fuerza de apriete de la palanca de enclavamiento deberá ajustarse de manera que el brazo deslizante quede firmemente sujeto al ajustar un ángulo de inglete vertical cualquiera.

Ajuste del margen de ángulos de inglete verticales a la derecha (0° a 45°) (ver figura J)

45° R

- Tire completamente hacia afuera de la regleta tope ajustable derecha **(6)**.
 - Suelte la empuñadura perfilada **(14)**.
 - Incline el brazo deslizante **(34)** por la empuñadura **(1)** desde la posición 0° ligeramente hacia la izquierda, y gire el pomo de ajuste **(43)** hasta que se muestre el margen de ángulo de inglete vertical deseado.
 - Gire el brazo deslizante **(34)** por la empuñadura **(1)** hacia la derecha, hasta que el indicador de ángulo **(21)** indique el ángulo de inglete deseado.
 - Mantenga el brazo deslizante **(34)** en esa posición y apriete de nuevo la empuñadura perfilada **(14)**.
- La fuerza de apriete de la palanca de enclavamiento deberá ajustarse de manera que el brazo deslizante quede firmemente sujeto al ajustar un ángulo de inglete vertical cualquiera.

Ajuste del ángulo de inglete estándar vertical de 0°

Para que el ángulo de inglete vertical estándar de 0° se pueda ajustar fácilmente, el mando giratorio **(43)** se encastra en el margen del ángulo de inglete vertical izquierdo.

- Gire el brazo deslizante **(34)** desde la derecha pasando por la posición de 0°.

Ajuste del margen del ángulo de inglete vertical completo (-47° a +47°)



- Tire completamente hacia afuera de las dos regletas tope ajustables (6).
- Suelte la empuñadura perfilada (14).
- Incline el brazo deslizante (34) por la empuñadura (1) desde la posición 0° ligeramente hacia la izquierda, y gire el pomo de ajuste (43) hasta que se muestre el margen de ángulo de inglete vertical deseado.
- Gire el brazo deslizante (34) por la empuñadura (1) hacia la izquierda o la derecha, hasta que el indicador de ángulo (37) o (21) indique el ángulo de inglete vertical deseado.
- Mantenga el brazo deslizante (34) en esa posición y apriete de nuevo la empuñadura perfilada (14). La fuerza de apriete de la palanca de enclavamiento deberá ajustarse de manera que el brazo deslizante quede firmemente sujeto al ajustar un ángulo de inglete vertical cualquiera.

Ajuste del ángulo de inglete vertical estándar de 22,5° (ver figura K)

Tire del botón de ajuste (38) completamente hacia fuera y gírelo 90°. A continuación gire el brazo deslizante (34) por la empuñadura (1) hasta oír cómo el brazo deslizante encastra.

Ajuste de ángulos de inglete horizontal y vertical

Puesta en marcha

Montaje del acumulador

- **Utilice solamente Bosch acumuladores de iones de litio originales de la tensión indicada en la placa de características de su herramienta eléctrica.** El uso de otro tipo de acumuladores puede provocar daños e incluso un incendio.

Indicadores de estado

Indicador del estado de carga del acumulador (interfaz de usuario) (46)	Significado/causa	Solución
verde (2 hasta 5 barras)	Acumulador cargado	-
amarillo (1 barra)	Acumulador casi vacío	Acumulador, sustituir o cargar pronto
rojo (1 barra)	Acumulador vacío	Acumulador, sustituir o cargar

Indicador de temperatura (52)	Significado/causa	Solución
Amarillo	Se ha alcanzado la temperatura crítica (motor, electrónica, acumulador)	La herramienta eléctrica se debe dejar funcionar al ralentí y dejar enfriar
Rojo	La herramienta eléctrica está sobrecalentada y se desconecta	Dejar enfriar la herramienta eléctrica

- Introduzca el acumulador (32) cargado en el compartimiento para acumuladores de la herramienta eléctrica, hasta que el acumulador esté bloqueado de forma segura.

Conexión (ver figura L)

- Para la **conexión** de la herramienta eléctrica, desplace **primero** el bloqueo de conexión (2) hacia el centro y presione **luego** el interruptor de conexión/desconexión (65) y manténgalo oprimido.

Indicación: Por motivos de seguridad, no se puede bloquear el interruptor de conexión/desconexión (65), sino debe mantenerse pulsado permanentemente durante el servicio.

Desconexión

- Para **apagarla**, suelte el interruptor de conexión/desconexión (65).

Modo ECO

Si la herramienta eléctrica se deja funcionar en el modo ECO de ahorro de energía, la vida útil del acumulador se puede prolongar hasta en un 20 %.

Si el modo ECO está activo, en el indicador del escalón de número de revoluciones/modo (49) se muestra el símbolo **E**. Adicionalmente se ilumina la indicación modo ECO (47).

Interfaz de usuario

La interfaz de usuario (3) sirve para la preselección de revoluciones así como para la indicación del estado de la herramienta eléctrica.

Preselección de revoluciones

Un modo Eco y 3 escalones de revoluciones están preconfigurados.

Con la tecla para la preselección de revoluciones (48) puede preseleccionar el número de revoluciones necesario también durante el servicio.

Número de revoluciones	Número de revoluciones [min ⁻¹]
Eco	2550
1	3000
2	3500
3	4000

Indicador de teléfono inteligente (50) e indicador de estado de la herramienta eléctrica (51)	Significado/causa	Solución
Amarillo	Recordatorio de servicio	Para informaciones adicionales, ver la aplicación Bosch Toolbox App o dejar realizar el servicio

Indicador de estado de herramienta eléctrica (51)	Significado/causa	Solución
Verde	Estado OK	–
Amarillo	Se ha alcanzado la temperatura crítica o el acumulador está casi vacío	La herramienta eléctrica se debe dejar funcionar al ralentí y dejar enfriar o sustituir respectivamente cargar pronto el acumulador
Rojo	La herramienta eléctrica está sobrecalentada o el acumulador está vacío	Dejar enfriar la herramienta eléctrica o sustituir respectivamente cargar el acumulador
rojo parpadeante	Se ha activado la protección de re arranque	Desconectar y conectar de nuevo la herramienta eléctrica; en caso dado, retirar y colocar de nuevo el acumulador.

Funciones de conectividad

En combinación con el módulo *Bluetooth*® Low Energy Module GCY 42 están a disposición las siguientes funciones de conectividad para la herramienta eléctrica:

- Registro y personalización
- Comprobación de estado, emisión de mensaje de advertencia
- Informaciones generales y configuraciones
- Administración
- Ajuste de los escalones de número de revoluciones

Lea las correspondientes instrucciones de servicio respecto a las informaciones del módulo *Bluetooth*® Low Energy Module **GCY 42**.

El indicador del teléfono inteligente (50) está encendido, si la herramienta eléctrica envía una información (p. ej., advertencia de temperatura) a un aparato final a través de la tecnología de radiocomunicación inalámbrica *Bluetooth*®.

Instrucciones para la operación

Instrucciones generales para serrar

- ▶ **Apriete siempre firmemente el mango de bloqueo (12) y la empuñadura perfilada (14) antes de aserrar.**
De lo contrario podría llegar a ladearse la hoja de sierra en la pieza de trabajo.
- ▶ **Apriete siempre firmemente el mango de bloqueo (12) y la palanca de apriete antes de aserrar.**
De lo contrario podría llegar a ladearse la hoja de sierra en la pieza de trabajo.
- ▶ **Antes de comenzar a serrar deberá cerciorarse primeramente de que la hoja de sierra no pueda tocar en ningún momento la regleta tope, los tornillos de apriete, u otros elementos del aparato. Desmonte, si procede, los topes auxiliares o adaptelos de forma adecuada.**

- ▶ **La herramienta eléctrica con el módulo *Bluetooth*® Low Energy Module GCY 42 montado está equipado con una radiointerfaz. Observar las limitaciones locales de servicio, p. ej. en aviones o hospitales.**

- ▶ **En las zonas, en las cuales no está permitido utilizar la tecnología de radiocomunicación *Bluetooth*®, se deben extraer el módulo *Bluetooth*® Low Energy Module GCY 42 y la pila en forma de botón.**

En las piezas de trabajo largas y pesadas, su extremo libre deberá soportarse convenientemente.

No trabaje piezas que estén deformadas. La pieza de trabajo deberá disponer siempre de un canto recto para poder asentarla de forma fiable contra la regleta tope.

Sierra solo materiales cuya utilización responda a las disposiciones pertinentes.

Proteja la hoja de sierra contra golpes y choques. No ejerza una presión lateral contra la hoja de sierra.

Cerciórese de que la caperuza protectora pendular funcione correctamente y que sus piezas puedan moverse libremente. Al conducir hacia abajo el brazo de la herramienta, se debe abrir la caperuza protectora pendular. Al conducir hacia arriba el brazo de la herramienta, se debe cerrar de nuevo la caperuza protectora pendular sobre la hoja de la sierra y enclavarse en la posición superior del brazo de la herramienta.

Marcado de la línea de corte (ver figura M)

Dos rayos láser indican la línea del corte de la hoja de sierra. Ello permite posicionar exactamente la pieza de trabajo, sin tener que abrir la caperuza protectora pendular.

- Conecte para ello los rayos láser pulsando ligeramente el interruptor de conexión/desconexión (65), sin presionar el bloqueo conexión (2).
- Haga coincidir la marca en la pieza de trabajo con el centro entre ambas líneas láser.

Indicación: Compruebe ante de serrar, si se indica correctamente la línea de corte (ver "Reajuste del rayo láser", Pági-

na 84). Los rayos láser pueden llegar a desajustarse tras un uso intenso, p. ej., por las vibraciones producidas.

Posición del operador (ver figura N)

► **No se coloque detrás de la herramienta eléctrica, en línea con la hoja de sierra, sino a un lado de la misma.**

De esta manera su cuerpo queda protegido en caso de retroceder bruscamente la pieza.

- Mantenga alejados de la hoja de sierra en funcionamiento las manos, dedos y brazos.
- No cruce las manos delante del brazo de la herramienta.

Cambio de las placas de inserción (ver figura O)

Las placas de inserción (10) pueden desgastarse tras un uso prolongado de la herramienta eléctrica.

Sustituya las placas de inserción si están defectuosas.

- Coloque la herramienta eléctrica en la posición de trabajo.
- Desatornille los tornillos (66) con la llave macho hexagonal (18) y retire las placas de inserción antiguas.
- Inserte la placa de inserción nueva de la derecha.
- Atornille la placa de inserción con los tornillos (66) lo más a la derecha posible, de modo que en toda la longitud del posible movimiento de tracción, la hoja de sierra no entre en contacto con la placa de inserción.
- Proceda de forma análoga al montar la placa de inserción nueva de la izquierda.

Dimensiones admisibles de las piezas de trabajo

Ángulo de inglete horizontal	Ángulo de inglete vertical	Altura x anchura [mm]
0°	0°	104 x 341 45 x 400 ^{A)} 120 x 200 ^{B)} 180 x 40
45° (izquierda)	0°	104 x 240 180 x 20
0°	45° (izquierda)	60 x 341
0°	45° (derecha)	40 x 341
45°	45° (izquierda)	60 x 240
45°	45° (derecha)	40 x 240

A) con tope de distancia horizontal (altura x ancho: 60 mm x 400 mm)

B) con tope de distancia vertical (altura x ancho: 72 mm x 50 mm)

Piezas de trabajo **mínimas** (= todas las piezas de trabajo, que se pueden sujetar con el tornillo de apriete (19) suministrado, a la izquierda o a la derecha de la hoja de sierra): 160 mm x 35 mm (longitud x ancho)

Máxima profundidad de corte (0°/0°): 120 mm

Serrado

Cortes sin movimiento de tracción (descabezar) (ver figura P)

- Deslice el brazo deslizante (34) totalmente hacia atrás y fíjelo en esta posición.
- Asegúrese de que el tope de profundidad (28) esté pre-

sionado completamente hacia adentro y el tornillo de ajuste (27) pasa a través de la abertura sin tocar el tope de profundidad al mover el brazo deslizante.

- Sujete la pieza de trabajo considerando sus dimensiones.
- Si es necesario, ajuste los ángulos de inglete horizontal y/o vertical deseados.
- Conecte la herramienta eléctrica.
- Baje lentamente el brazo deslizante con la empuñadura (34) (1).
- Sierre la pieza de trabajo con un avance uniforme.
- Desconecte la herramienta eléctrica y espere a que la hoja de sierra se haya detenido por completo.
- Guíe lentamente, hacia arriba, el brazo deslizante (34).

Cortes con desplazamiento horizontal (ver figura Q)

► **Sujete firmemente la empuñadura antes de conectar el aparato y durante todo el proceso de serrado. Concéntrase en su trabajo y controle permanentemente el movimiento del brazo deslizante.** Un momento de distracción puede ser suficiente para accidentarse, ya que el brazo desliza con gran facilidad.

- Desbloquee el brazo deslizante (34). Compruebe la operatividad del mecanismo deslizante completo tirando del brazo deslizante (34) y devolviéndolo a su sitio.
- Sujete la pieza de trabajo considerando sus dimensiones.
- Si es necesario, ajuste los ángulos de inglete horizontal y/o vertical deseados.
- Tire del brazo deslizante (34) por la empuñadura (1) para separarlo de la regleta tope (7), de manera que la hoja de sierra quede frente a la pieza.
- Conecte la herramienta eléctrica.
- Baje lentamente el brazo deslizante con la empuñadura (34) (1).
- Empuje entonces el brazo deslizante (34) en dirección a la regleta de tope (7) y lleve a cabo el serrado de la pieza con avance uniforme.
- Desconecte la herramienta eléctrica y espere a que la hoja de sierra se haya detenido por completo.
- Guíe lentamente, hacia arriba, el brazo deslizante (34).

Serrado de piezas de trabajo de igual longitud (ver figura R)

Para un corte fácil de piezas de trabajo de igual longitud, puede usar el tope longitudinal (40) (accesorio).

El tope longitudinal puede montarse a ambos lados de la prolongación de la mesa de corte (8).

- Suelte el tornillo de retención (39) y pliegue el tope longitudinal (40) sobre el tornillo de sujeción (67).
- Apriete de nuevo firmemente el tornillo de sujeción (39).
- Ajuste la prolongación de la mesa de corte (8) a la longitud deseada.

Ajuste del tope de profundidad (serrado de ranuras) (ver figura S)

Si desea serrar una ranura o si pretende usar un tope distanciador es preciso ajustar primero el tope de profundidad.

- Gire el tope de profundidad **(28)** hacia afuera.
- Gire el brazo deslizante **(34)** por la empuñadura **(1)** a la posición deseada.
- Gire el tornillo de ajuste **(27)** hasta asentar su extremo contra el tope de profundidad **(28)**.
- Guíe lentamente hacia arriba el brazo deslizante **(34)**.

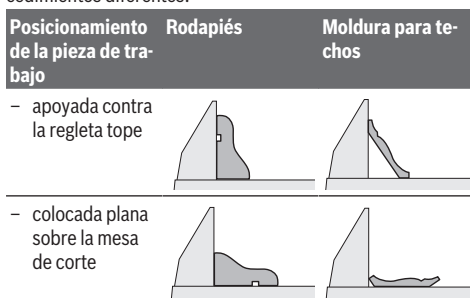
Piezas de sujeción crítica

Al serrar piezas curvadas o cilíndricas éstas deberán sujetarse con especial cuidado. A lo largo de la línea de corte no deberá existir ninguna luz entre la pieza de trabajo, la regleta tope y la mesa de corte.

Si fuese preciso, deberán emplearse unos soportes especiales para sujetar la pieza.

Corte de listones perfilados

Los listones perfilados pueden cortarse siguiendo dos procedimientos diferentes:



Además, según la anchura del perfil, los cortes pueden realizarse con o sin movimiento de tracción de la hoja de sierra. Pruebe el ángulo de inglete ajustado (horizontal y/o vertical) siempre primero en un resto de madera de desperdicio.

Comprobación y reajuste del ajuste básico

Si la herramienta eléctrica ha estado sometida a un uso intenso, deberá verificarse y reajustarse, dado el caso, para garantizar un corte exacto.

Para ello se requiere cierta experiencia y la correspondiente herramienta especial.

El servicio técnico Bosch realiza este trabajo rápida y concienzudamente.

Reajuste del rayo láser

Indicación: Para verificar el funcionamiento del láser, la herramienta eléctrica debe estar conectada a la alimentación de corriente.

- ▶ **Jamás accione el interruptor de conexión/desconexión durante el ajuste del láser (p. ej. al mover el brazo de la herramienta).** Una puesta en marcha fortuita de la herramienta eléctrica puede provocar lesiones.
- Coloque la herramienta eléctrica en la posición de trabajo.
- Gire la mesa de cortar **(42)** hasta la muesca **(15)** de 0°. La palanca **(13)** debe enclavar en la muesca perceptiblemente.

Control (ver figura T1)

- Trace una línea recta sobre una pieza de trabajo.
- Lleve el brazo deslizante **(34)** lentamente hacia abajo con la empuñadura **(1)**.
- Oriente la pieza de manera que los dientes de la hoja de sierra queden alineados con la línea de corte.
- Mantenga firmemente sujeta la pieza de trabajo en esa posición y gire lentamente hacia arriba el brazo deslizante.
- Sujete la pieza con la mordaza.
- Conecte los rayos láser con el interruptor.

Los rayos láser deberán quedar equidistantes respecto a la línea de corte de la pieza de trabajo, en toda la longitud, incluso al bajar el brazo deslizante.

Reajuste (ver figura T2)

1. Ajuste del rayo láser derecho:
 - Gire el tornillo de ajuste derecho **(68)** con la llave macho hexagonal **(18)**, hasta que el rayo láser derecho quede enrasado en toda su longitud con la línea de corte trazada en la pieza de trabajo.

En ello se mueve también el rayo láser izquierdo.

Un giro en sentido antihorario hace que el rayo láser se desplace de la izquierda hacia la derecha, y viceversa.

2. Ajuste del rayo láser izquierdo:

- Gire el tornillo de ajuste izquierdo **(68)** con la llave macho hexagonal **(18)**, hasta que el rayo láser izquierdo tenga la misma distancia hacia la línea de corte marcada en la pieza de trabajo que el rayo láser derecho.

Un giro en sentido antihorario hace que el rayo láser se desplace de la izquierda hacia la derecha, y viceversa.

Ajuste del ángulo de inglete estándar vertical de 0°

- Coloque la herramienta eléctrica en la posición de transporte.
- Gire la mesa de corte **(42)** hasta la muesca **(15)** de 0°. La palanca **(13)** deberá enclavar en la muesca de forma perceptible.

Control (ver figura U1)

- Ajuste un calibre de ángulos a 90° y colóquelo sobre la mesa de corte **(42)**.

El lado del calibre de ángulos debe quedar enrasado con la hoja de sierra **(44)** en toda la longitud.

Ajuste (ver figura U2)

- Suelte la palanca de enclavamiento **(14)**.
- Afloje los dos tornillos de ajuste **(69)** (mínimo 1 vuelta) con una llave de vaso (10 mm).
- Afloje el tornillo de ajuste **(71)** (aprox. 3 vueltas) con la llave macho hexagonal (4 mm) **(17)**.
- Enrosque o desenrosque el tornillo de ajuste **(70)** con la llave macho hexagonal (4 mm) **(17)** hasta que el lado del calibre de ángulos quede enrasado con la hoja de sierra en toda la longitud.
- Apriete de nuevo la palanca de enclavamiento **(14)**. A continuación vuelva a apretar primero el tornillo de ajuste **(71)** y a continuación los tornillos de ajuste **(69)**.

Si después del ajuste los indicadores de ángulos **(37)** y **(21)** no coinciden con la marca de 0° de la escala **(36)**, afloje los tornillos de fijación de los indicadores de ángulos con un destornillador de estrella y alinee los indicadores de ángulos a lo largo de las marcas de 0°.

Ajuste del ángulo de inglete estándar vertical de 45° (izquierda)

- Coloque la herramienta eléctrica en la posición de trabajo.
- Gire la mesa de corte **(42)** hasta la muesca **(15)** de 0°. La palanca **(13)** deberá enclavar en la muesca de forma perceptible.
- Tire completamente hacia afuera la regleta tope ajustable izquierda **(6)**.
- Afloje la palanca de enclavamiento **(14)** y gire el brazo deslizante por la empuñadura **(1)** hacia la izquierda hasta el tope (45°).

Control (ver figura V1)

- Ajuste un calibre de ángulos a 45° y colóquelo sobre la mesa de corte **(42)**.

El lado del calibre de ángulos debe quedar enrasado con la hoja de sierra **(44)** en toda la longitud.

Ajuste (ver figura V2)

- Enrosque o desenrosque el tornillo de ajuste **(72)** con una llave de boca (8 mm) hasta que el lado del calibre de ángulos quede enrasado con la hoja de sierra en toda la longitud.
- Apriete de nuevo la palanca de enclavamiento **(14)**.

Si después del reajuste los indicadores de ángulos **(37)** y **(21)** no coincidiesen con la marca de 45° de la escala **(36)**, vuelva a comprobar primero el ajuste de 0° para el ángulo de inglete vertical y los indicadores de ángulos. Repita entonces el ajuste del ángulo de inglete vertical de 45°.

Ajuste del ángulo de inglete estándar vertical de 45° (derecha)

- Coloque la herramienta eléctrica en la posición de trabajo.
- Gire la mesa de corte **(42)** hasta la muesca **(15)** de 0°. La palanca **(13)** deberá enclavar en la muesca de forma perceptible.
- Tire completamente hacia afuera la regleta tope ajustable derecha **(6)**.
- Afloje la palanca de enclavamiento **(14)**.
- Incline el brazo deslizante por la empuñadura **(1)** desde la posición de 0° hacia la izquierda y gire el mando giratorio **(43)** hasta que se indique el margen del ángulo de inglete vertical derecho deseado.
- Gire el brazo deslizante por la empuñadura **(1)** hacia la derecha hasta el tope (45°).

Control (ver figura W1)

- Ajuste un calibre de ángulos a 135° y colóquelo sobre la mesa de corte **(42)**.

El lado del calibre de ángulos debe quedar enrasado con la hoja de sierra **(44)** en toda la longitud.

Ajuste (ver figura W2)

- Enrosque o desenrosque el tornillo de ajuste **(73)** con una llave de boca (8 mm) hasta que el lado del calibre de ángulos quede enrasado con la hoja de sierra en toda la longitud.
- Apriete de nuevo la palanca de enclavamiento **(14)**.

Si después del reajuste los indicadores de ángulos **(37)** y **(21)** no coincidiesen con la marca de 45° de la escala **(36)**, vuelva a comprobar primero el ajuste de 0° para el ángulo de inglete vertical y los indicadores de ángulos. Repita entonces el ajuste del ángulo de inglete vertical de 45°.

Alineación de la escala para ángulos de inglete horizontales

- Coloque la herramienta eléctrica en la posición de trabajo.
- Gire la mesa de corte **(42)** hasta la muesca **(15)** de 0°. La palanca **(13)** deberá enclavar en la muesca de forma perceptible.

Control (ver figura X1)

- Ajuste un calibre de ángulos a 90° y colóquelo entre la regleta de tope **(7)** y la hoja de sierra **(44)** sobre la mesa de corte **(42)**.

El lado del calibre de ángulos debe quedar enrasado con la hoja de sierra **(44)** en toda la longitud.

Reajuste (ver figura X2)

- Afloje los cuatro tornillos de ajuste **(74)** con una llave macho hexagonal (4 mm) **(17)** y gire la mesa de cortar **(42)** junto con la escala **(41)**, hasta que la pata del calibre de ángulos quede enrasada con la hoja de sierra, en toda su longitud.
- Apriete los tornillos.

Si tras el ajuste, el indicador de ángulos **(64)** no se encuentra en una línea con la marca de 0° de la escala **(41)**, suelte el tornillo **(75)** con un destornillador de estrella y ajuste el indicador de ángulos a lo largo de la marca 0°.

Ajuste de la fuerza de apriete de la palanca de enclavamiento (14) (ver figura Y)

La fuerza de apriete de la palanca de enclavamiento **(14)** puede reajustarse.

Control

- La fuerza de apriete de la palanca de enclavamiento deberá ajustarse de manera que el brazo deslizante quede firmemente sujeto al ajustar un ángulo de inglete vertical cualquiera.

Reajuste

- Afloje la palanca de enclavamiento **(14)**.
- Gire el tornillo de ajuste **(76)** con una llave de tubo (17 mm) en sentido antihorario para reducir la fuerza de apriete o en sentido horario para aumentarla.
- Ajuste un ángulo de inglete vertical, apriete de nuevo la palanca de enclavamiento **(14)** y compruebe si se ha generado la fuerza de apriete deseada.

Transporte (ver figura Z)

Antes de transportar la herramienta eléctrica deberá realizar los pasos siguientes:

- Deslice el brazo deslizante (34) totalmente hacia atrás y fíjelo en esta posición.
- Asegúrese de que el tope de profundidad (28) esté presionado completamente hacia adentro y el tornillo de ajuste (27) pasa a través de la abertura sin tocar el tope de profundidad al mover el brazo deslizante.
- Mueva el brazo deslizante hacia abajo, hasta que el seguro de transporte (35) se pueda empujar completamente hacia adentro
- Deslice las prolongaciones de la mesa de corte (8) completamente hacia dentro.
- Ajuste un ángulo de inglete vertical de 0° y apriete la empuñadura perfilada (14).
- Gire la mesa de cortar (42) hacia la izquierda hasta el tope y apriete el mango de bloqueo (12).
- Retire todos los accesorios que no puedan montarse de forma fija en la herramienta eléctrica.
- Procure transportar siempre las hojas de sierra que no precise en un recipiente cerrado.
- Para transportar la mesa de cortar, agárrela por las cavidades de agarre (16) laterales.

► **Al transportar la herramienta eléctrica, utilice solamente los dispositivos de transporte y nunca use los dispositivos de protección, el brazo deslizante o la empuñadura.**

Mantenimiento y servicio

Mantenimiento y limpieza

- **Desmonte el acumulador antes de manipular la herramienta eléctrica (p. ej. en el mantenimiento, cambio de útil, etc.) así como al transportarla y guardarla.** En caso contrario podría accidentarse al accionar fortuitamente el interruptor de conexión/desconexión.
- **Mantenga limpia la herramienta eléctrica y las rejillas de refrigeración para trabajar con eficacia y seguridad.**

La caperuza protectora pendular deberá poder moverse y cerrarse siempre por sí sola. Por ello, es necesario mantener limpio siempre el área en torno a la caperuza protectora pendular.

Después de cada fase de trabajo, elimine el polvo y las virutas soplando aire comprimido o con un pincel.

Limpie periódicamente el rodillo (20).

Accesorios especiales

	Número de artículo
Saco colector de polvo	1 609 B05 010
Mesa de trabajo GTA 2500 W	0 601 B12 100
Mesa de trabajo GTA 2500 Compact	0 601 B12 400

	Número de artículo
Mesa de trabajo GTA 2600	0 601 B12 300
Mesa de trabajo GTA 3800	0 601 B24 000
3 601 M43 000: Hojas de sierra para madera y tableros, paneles y listones	
Standard for Wood	2 608 837 741
305 x 2,2/1,6 x 30 mm, 40 dientes	
Standard for Wood	2 608 837 742
305 x 2,2/1,6 x 30 mm, 60 dientes	
Standard for Wood	2 608 837 744
305 x 2,2/1,6 x 30 mm, 96 dientes	
Expert for Wood	2 608 644 527
305 x 2,2/1,6 x 30 mm, 42 dientes	
Expert for Wood	2 608 644 528
305 x 2,2/1,6 x 30 mm, 60 dientes	
Expert for Wood	2 608 644 529
305 x 2,2/1,6 x 30 mm, 96 dientes	
3 601 M43 000: Hojas de sierra para aluminio	
Standard for Aluminium	2 608 837 782
305 x 2,4/1,8 x 30 mm, 96 dientes	
Expert for Aluminium	2 608 644 547
305 x 2,4/1,8 x 30 mm, 96 dientes	
3 601 M43 000: Hojas de sierra para paneles de fibrocemento	
Expert for Fibre Cement	2 608 644 559
305 x 2,2/1,6 x 30 mm, 8 dientes	

Servicio técnico y atención al cliente

El servicio técnico le asesorará en las consultas que pueda Ud. tener sobre la reparación y mantenimiento de su producto, así como sobre piezas de recambio. Las representaciones gráficas tridimensionales e informaciones de repuestos se encuentran también bajo: www.bosch-pt.com

El equipo asesor de aplicaciones de Bosch le ayuda gustosamente en caso de preguntas sobre nuestros productos y sus accesorios.

Para cualquier consulta o pedido de piezas de repuesto es imprescindible indicar el nº de artículo de 10 dígitos que figura en la placa de características del producto.

México

Robert Bosch S. de R.L. de C.V.

Calle Robert Bosch No. 405

C.P. 50071 Zona Industrial, Toluca - Estado de México

Tel.: (52) 55 528430-62

Tel.: 800 6271286

www.bosch-herramientas.com.mx

Direcciones de servicio adicionales se encuentran bajo:

www.bosch-pt.com/serviceaddresses

Transporte

Los acumuladores de iones de litio incorporados están sujetos a los requerimientos estipulados en la legislación sobre

mercancías peligrosas. Los acumuladores pueden ser transportados por carretera por el usuario sin más imposiciones. En el envío por terceros (p.ej., transporte aéreo o por agencia de transportes) deberán considerarse las exigencias especiales en cuanto a su embalaje e identificación. En este caso deberá recurrirse a los servicios de un experto en mercancías peligrosas al preparar la pieza para su envío. Únicamente envíe acumuladores si su carcasa no está dañada. Si los contactos no van protegidos cúbralos con cinta adhesiva y embale el acumulador de manera que éste no se pueda mover dentro del embalaje. Observe también las prescripciones adicionales que pudieran existir al respecto en su país.

Eliminación



Las herramientas eléctricas, acumuladores, accesorios y embalajes deberán someterse a un proceso de recuperación que respete el medio ambiente.



¡No arroje las herramientas eléctricas, acumuladores o pilas a la basura!

Acumuladores/pilas:

Iones de Litio:

Por favor, observe las indicaciones en el apartado Transporte (ver "Transporte", Página 86).



El símbolo es solamente válido, si también se encuentra sobre la placa de características del producto/fabricado.

Português do Brasil

Indicações de segurança

Avisos de segurança para ferramentas em geral

A AVISO

Leia todas as indicações de segurança, instruções, ilustrações e especificações fornecidas com esta ferramenta

elétrica. O desrespeito das instruções apresentadas abaixo poderá resultar em choque elétrico, incêndio e/ou ferimentos graves.

Guarde todas as advertências e instruções para futura referência.

O termo "ferramenta elétrica" em todos os avisos listados abaixo referem-se a ferramenta alimentada através de seu cordão de alimentação ou a ferramenta operada a bateria (sem cordão).

Segurança da área de trabalho

- ▶ **Mantenha a área de trabalho limpa e bem iluminada.** As áreas de trabalho desarrumadas ou escuras podem levar a acidentes.
- ▶ **Não opere as ferramentas elétricas em atmosferas explosivas, ou seja, na presença de líquidos, gases ou pós inflamáveis.** As ferramentas criam faíscas que podem inflamar a poeira ou os vapores.
- ▶ **Mantenha as crianças e outras pessoas afastadas da ferramenta elétrica durante o uso.** As distrações podem resultar na perda do controle.

Segurança elétrica

- ▶ **Os plugues da ferramenta devem ser compatíveis com as tomadas. Nunca modifique o plugue. Não use plugues de adaptador com ferramentas aterradas.** Os plugues sem modificações aliados a utilização de tomadas compatíveis reduzem o risco de choque elétrico.
- ▶ **Evite o contato do corpo com superfícies aterradas, como tubos, aquecedores, fogões e geladeiras.** Há um risco elevado de choque elétrico se seu corpo estiver aterrado.
- ▶ **Mantenha as ferramentas elétricas afastadas da chuva ou umidade.** A entrada de água em uma ferramenta elétrica aumenta o risco de choque elétrico.
- ▶ **Não use o cabo para outras finalidades. Jamais use o cabo para transportar, puxar ou desconectar a ferramenta elétrica. Mantenha o cabo afastado do calor, do óleo, de arestas afiadas ou de partes móveis.** Os cabos danificados ou emaranhados aumentam o risco de um choque elétrico.
- ▶ **Ao operar uma ferramenta elétrica ao ar livre, use um cabo de extensão adequado para áreas exteriores.** O uso de um cabo de extensão apropriado para áreas exteriores reduz o risco de choque elétrico.
- ▶ **Se não for possível evitar o funcionamento da ferramenta elétrica em áreas úmidas, utilizar uma alimentação protegida por um dispositivo de corrente diferencial residual (DR).** O uso de um DR reduz o risco de um choque elétrico.

Segurança pessoal

- ▶ **Fique atento, olhe o que está fazendo e use o bom senso ao operar uma ferramenta. Não use uma ferramenta elétrica quando estiver cansado ou sob a influência de drogas, álcool ou medicamentos.** Um momento de desatenção enquanto opera uma ferramenta pode resultar em graves ferimento pessoal.
- ▶ **Use equipamento de proteção individual. Use sempre óculos de proteção.** O uso de equipamento de proteção individual, como máscara de proteção contra poeira, sapatos de segurança antiderrapantes, capacete de segurança ou proteção auricular, usado nas condições adequadas irá reduzir o risco de ferimentos pessoais.
- ▶ **Evite a partida não intencional. Assegure-se de que o interruptor está na posição de desligado antes de conectar o plugue na tomada e/ou bateria, pegar ou**

carregar a ferramenta. Carregar as ferramentas com o seu dedo no interruptor ou conectar as ferramentas que apresentam interruptor na posição "ligado", são convites a acidentes.

- ▶ **Remova qualquer ferramenta ou chave de ajuste antes de ligar a ferramenta elétrica.** Uma ferramenta ou chave ainda ligada a uma parte rotativa da ferramenta elétrica pode resultar em ferimentos pessoais.
- ▶ **Evite uma posição anormal. Mantenha uma posição firme e mantenha sempre o equilíbrio.** Desta forma é mais fácil controlar a ferramenta elétrica em situações inesperadas.
- ▶ **Use vestuário apropriado. Não use roupa larga nem joias. Mantenha seus cabelos e roupas afastados de partes móveis.** As roupas largas, joias ou cabelos longos podem ser agarrados por partes móveis.
- ▶ **Se for possível montar dispositivos de aspiração ou de coleta, assegure-se de que são conectados e usados corretamente.** O uso de um dispositivo de coleta de poeira pode reduzir os riscos associados a poeiras.
- ▶ **Não deixe que a familiaridade resultante do uso frequente de ferramentas permita que você se torne complacente e ignore os princípios de segurança da ferramenta.** Uma ação descuidada pode causar ferimentos graves numa fração de segundo.

Uso e manuseio cuidadoso da ferramenta elétrica

- ▶ **Não sobrecarregue a ferramenta elétrica. Use a ferramenta elétrica correta para a sua aplicação.** É melhor e mais seguro trabalhar com a ferramenta elétrica apropriada na área de potência para a qual foi projetada.
- ▶ **Não use a ferramenta elétrica se o interruptor estiver defeituoso.** Qualquer ferramenta elétrica que não pode mais ser controlada com o interruptor é perigosa e deve ser reparada.
- ▶ **Desconecte o plugue da alimentação e/ou remova a bateria, se removível, da ferramenta elétrica antes de efetuar ajustes, trocar acessórios ou guardar as ferramentas elétricas.** Tais medidas de segurança preventivas reduzem o risco de se ligar a ferramenta acidentalmente.
- ▶ **Guarde as ferramentas elétricas não utilizadas fora do alcance das crianças e não permita que as pessoas que não estejam familiarizadas com a ferramenta elétrica ou com essas instruções usem a ferramenta elétrica.** As ferramentas elétricas são perigosas nas mãos de usuários não treinados.
- ▶ **Trate as ferramentas elétricas e acessórios com cuidado. Cheque o desalinhamento ou coesão das partes móveis, rachaduras e qualquer outra condição que possa afetar a operação da ferramenta. Se houver danos, repare a ferramenta elétrica antes do uso.** Muitos acidentes são causados por ferramentas elétricas com manutenção inadequada.
- ▶ **Mantenha as ferramentas de corte afiadas e limpas.** As ferramentas de corte cuidadosamente mantidas e com

arestas de corte afiadas emperram com menos frequência e são mais fáceis de controlar.

- ▶ **Use a ferramenta elétrica, acessórios, bits etc. de acordo com essas instruções, considerando as condições de trabalho e o trabalho a executar.** O uso da ferramenta elétrica em tarefas diferentes das previstas poderá resultar em uma situação perigosa.
- ▶ **Mantenha as empunhadadeiras e as superfícies de agarrar secas, limpas e livres de óleo e graxa.** As empunhadadeiras e superfícies de agarrar escorregadias não permitem o manuseio e controle seguros da ferramenta em situações inesperadas.

Manuseio e uso cuidadoso da ferramenta com bateria

- ▶ **Recarregar somente com o carregador especificado pelo fabricante.** Um carregador que é adequado para um tipo de bateria pode gerar risco de fogo quando utilizado com outro tipo de bateria.
- ▶ **Use as ferramentas somente com as baterias especificamente designadas.** O uso de outro tipo de bateria pode gerar risco de ferimento e fogo.
- ▶ **Quando a bateria não estiver em uso, mantenha-o afastado de objetos metálicos como clips, moedas, chaves, pregos, parafusos ou outros objetos metálicos pequenos que podem fazer a ligação de um terminal com o outro.** O curto-circuito dos terminais da bateria pode gerar queimaduras ou fogo.
- ▶ **Sob condições abusivas, líquidos podem vaziar ser expelidos pela bateria; evite o contato. Se o contato acidental ocorrer, lave com água. Se o líquido entrar em contato com os olhos, consulte um médico.** Líquido expelido pela bateria podem causar irritação ou queimaduras.
- ▶ **Não use uma bateria ou uma ferramenta danificada ou modificada.** As baterias danificadas ou modificadas exibem um comportamento imprevisível podendo causar incêndio, explosão ou risco de ferimentos.
- ▶ **Não exponha a bateria ou a ferramenta ao fogo ou temperaturas excessivas.** A exposição ao fogo ou a temperaturas acima de 130°C pode causar explosão.
- ▶ **Siga todas as instruções de carregamento e não carregue a bateria ou a ferramenta fora da faixa de temperatura especificada nas instruções.** O carregamento inadequado ou a temperaturas fora da faixa especificada pode danificar a bateria e aumentar o risco de incêndio.

Serviço

- ▶ **Somente permita que a sua ferramenta elétrica seja reparada por pessoal qualificado e usando peças de reposição originais.** Só dessa forma é assegurada a segurança da ferramenta elétrica.
- ▶ **Jamais tente reparar baterias danificadas.** O reparo de baterias deve ser somente realizado pelo fabricante ou por prestadores de serviços autorizados.

Indicações de segurança para serras de meia-esquadria

- ▶ **As serras de meia-esquadria se destinam a cortar madeira ou derivados da madeira, elas não podem ser usadas com discos de corte abrasivos para cortar materiais ferrosos como barras, hastes, parafusos, etc.** O pó abrasivo provoca o emperramento das partes móveis, como a proteção inferior. As chispas produzidas pelo corte abrasivo queimam a proteção inferior, o inserto para corte e outras peças de plástico.
- ▶ **Sempre que possível, usar grampos para apoiar a peça de trabalho. Caso seja necessário apoiar a peça de trabalho com a mão, deve sempre manter sua mão afastada, no mínimo, 100 mm em cada um dos lados da lâmina da serra. Não use essa serra para cortar pedaços muito pequenos que não possam ser presos com grampos ou agarrados em segurança.** Se colocar sua mão muito próxima da lâmina de serra, há um aumento nos riscos de lesões pessoais resultantes do contato com a lâmina.
- ▶ **A peça de trabalho deve ser imobilizada e presa com grampos ou segurada contra a guia de corte e a mesa. Jamais faça avançar a peça de trabalho para a lâmina da serra ou realize cortes à "mão livre".** As peças de trabalho livres ou móveis podem ser lançadas a velocidades elevadas, causando lesões.
- ▶ **Empurre a serra através da peça de trabalho. Não puxe a serra através da peça de trabalho. Para efetuar um corte, eleve a cabeça da serra e a puxe sobre a peça de trabalho sem cortar, ligue o motor, pressione a cabeça da serra para baixo e empurre a serra através da peça de trabalho.** Se efetuar o corte no movimento de puxada, poderá fazer com que a lâmina da serra suba para cima da peça de trabalho, arremessando de forma violenta o conjunto de disco de serra na direção do operador.
- ▶ **Jamais passe sua mão sobre a linha de corte prevista, seja em frente ou atrás da lâmina da serra.** Apoiar a peça de trabalho com as "mãos cruzadas", ou seja, segurando a peça de trabalho à direita da lâmina da serra com sua mão esquerda ou vice-versa é muito perigoso.
- ▶ **Enquanto a lâmina da serra estiver rodando, não coloque qualquer uma das mãos atrás da guia de corte a menos de 100 mm de cada um dos lados da lâmina da serra, para remover aparas de madeira ou por qualquer outro motivo.** A proximidade da lâmina da serra em rotação com sua mão pode não ser percebida e poderá sofrer graves lesões.
- ▶ **Inspeccione a sua peça de trabalho antes de cortar. Se a peça de trabalho estiver curvada ou empenada, fixe a peça com a face exterior curvada orientada para a guia de corte. Sempre tenha certeza de que não existem lacunas entre a peça de trabalho, a guia de corte e a mesa ao longo da linha de corte.** As peças de trabalho curvadas ou empenadas podem torcer ou deslocar-se e podem causar bloqueios na lâmina da serra em rotação durante o corte. A peça de trabalho deverá estar livre de pregos ou objetos estranhos.
- ▶ **Não use a serra enquanto houver ferramentas, aparas de madeira, etc., sobre a mesa, com exceção da peça de trabalho.** Os detritos pequenos ou pedaços soltos de madeira ou outros objetos que entrem em contato com a lâmina da serra giratório podem ser lançadas a alta velocidade.
- ▶ **Corte somente uma peça de trabalho de cada vez.** Múltiplas peças de trabalho empilhadas não podem ser devidamente grampeadas ou fixas e podem ficar presas na lâmina da serra ou deslocar-se durante o corte.
- ▶ **Certifique-se de que a serra de meia-esquadria está montada ou colocada sobre uma superfície de trabalho nivelada e firme antes de usar.** Uma superfície de trabalho nivelada e firme reduz o risco de a serra de meia-esquadria se tornar instável.
- ▶ **Planeje seu trabalho. Sempre que você alterar o ajuste do ângulo de chanfradura ou de bisel, certifique-se de que a guia de corte ajustável é ajustada corretamente para suportar a peça de trabalho e que ela não interfere com o a lâmina da serra de serra ou com o sistema de proteção.** Mantendo a ferramenta desligada e sem peças de trabalho sobre a mesa, mova a lâmina da serra simulando um corte completo para garantir que não irá haver interferência ou o perigo de cortar a guia de corte.
- ▶ **Providencie um suporte adequado, como extensões de mesa, cavaletes, etc. para uma peça de trabalho que é mais larga ou mais longa do que a superfície superior da mesa.** As peças de trabalho mais longas ou mais largas do que a mesa da serra de meia-esquadria podem tombar se não forem suportadas em segurança. Se a peça cortada ou a peça de trabalho tombar, ela pode elevar a proteção inferior ou ser lançada pela lâmina da serra em rotação.
- ▶ **Não use outra pessoa como substituto de uma extensão de mesa ou como suporte adicional.** Um suporte instável da peça de trabalho pode fazer com que a lâmina da serra fique preso ou que a peça de trabalho se desloque durante a operação de corte, puxando você e seu ajudante para a lâmina da serra em rotação.
- ▶ **A peça cortada não pode de modo algum ficar encravada ou pressionada contra a lâmina da serra em rotação.** Se estiver confinada, ou seja, usando batentes longitudinais, a peça cortada pode ficar entalada contra a lâmina da serra e ser arremessada de forma violenta.
- ▶ **Sempre use um grampo ou fixação concebida para apoiar devidamente os materiais redondos, como hastes ou tubos.** As hastes têm uma tendência para rolar quando estão sendo cortadas, fazendo com que a lâmina da serra "engate" e puxe o trabalho juntamente com sua mão para a lâmina de corte.
- ▶ **Permita que a lâmina da serra atinja a velocidade máxima antes do contato com a peça de trabalho.** Isso irá reduzir o risco de arremesso da peça de trabalho.

- ▶ **Se a peça de trabalho ou a lâmina da serra ficar encravado, desligue a serra de meia-esquadria. Aguarde a parada de todas as partes móveis e desconecte o plugue da alimentação e/ou remova a bateria. Em seguida trabalhe no sentido de liberar o material encravado.** A serragem continuada com uma peça de trabalho encravada pode causar a perda de controle ou danos na serra de meia-esquadria.
- ▶ **Depois de concluir o corte, libere o interruptor, mantenha a cabeça da serra em baixo e aguarde que a lâmina da serra pare antes de remover a peça cortada.** É perigoso colocar sua mão próximo de uma lâmina de serra em movimento.
- ▶ **Segure a empunhadura com firmeza ao efetuar um corte incompleto ou quando liberar o interruptor antes de a cabeça da serra ficar completamente na posição inferior.** A ação de frenagem da serra pode puxar a cabeça da serra repentinamente para baixo, causando um risco de lesões.
- ▶ **Não solte o punho quando a cabeça da serra tiver chegado à posição inferior. Desloque a cabeça da serra com a mão suavemente de volta à posição superior.** Se mover a cabeça da serra sem controle, pode originar um risco de ferimentos.
- ▶ **Mantenha seu local de trabalho limpo.** As misturas de materiais são muito perigosas. Pó de metal leve pode queimar ou explodir.
- ▶ **Não utilizar discos de serra embotados, rachados, empenados ou danificados. Discos de serra com dentes embotados ou incorretamente alinhados causam um atrito maior, um contragolpe e emperram porque a fenda de corte é apertada.**
- ▶ **Não use discos de serra de aço de alta liga para trabalhos rápidos (aço HSS).** Eles podem quebrar facilmente.
- ▶ **Use sempre discos de serra com furos interiores de tamanho e forma corretos (losango versus redondo).** Os discos de serra que não correspondem com a montagem na serra ficam fora de centro, causando a perda de controle.
- ▶ **Jamais remover resíduos de corte, aparas ou objetos semelhantes da área de corte, enquanto a ferramenta elétrica estiver funcionando.** Sempre conduzir primeiramente o braço da ferramenta para a posição de repouso e desligar a ferramenta.
- ▶ **Não toque no disco de serra após o trabalho, espere que este arrefeça.** O disco de serra torna-se extremamente quente durante o trabalho.
- ▶ **Em caso de danos e de utilização incorreta da bateria, podem escapar vapores. A bateria pode incendiar-se ou explodir.** Arejar bem o local de trabalho e consultar um médico se forem constatados quaisquer sintomas. Os vapores podem irritar as vias respiratórias.
- ▶ **Não abra a bateria.** Existe perigo de curto-circuito.
- ▶ **A bateria pode ser danificada com objetos pontiagudos como p. ex. prego ou chave de parafusos**

ou devido à influência de força externa. Pode ocorrer um curto-circuito interno e a bateria pode arder, deitar fumo, explodir ou sobreaquecer.

- ▶ **Usar a bateria apenas em produtos do fabricante.** Só assim é que a bateria fica protegida contra sobrecarga perigosa.



Proteja a bateria do calor, p. ex. radiação solar permanente, fogo, sujeira, água e umidade. Há risco de explosão ou de um curto-circuito.



- ▶ **Mantenha sempre as placas de aviso bem identificadas na ferramenta elétrica.**
- ▶ **A ferramenta elétrica é fornecida com uma placa de advertência laser (ver tabela "Símbolos e respetivo significado").**



Não direcione o feixe de orientação a laser para pessoas ou animais e não olhe diretamente ou para o reflexo do mesmo. Isso pode provocar cegamento, causar acidentes ou danos oculares.

- ▶ **Caso a radiação laser atinja o olho, feche proposadamente os olhos e desvie imediatamente a cabeça do feixe.**
- ▶ **Não utilize instrumentos de aumento ótico como binóculos, etc. para observar a fonte do feixe laser.** Pode causar lesões nos olhos.
- ▶ **Não aponte o feixe laser para pessoas que estão olhando através de binóculos ou de um instrumento semelhante.** Pode causar lesões nos olhos dessas pessoas.
- ▶ **Não faça alterações ao dispositivo a laser.** Você pode usar sem perigo as possibilidades de ajuste descritas neste manual de instruções.
- ▶ **Não use os óculos para laser (acessório) como óculos de proteção.** Os óculos para laser servem para ver melhor o feixe de orientação a laser; mas não protegem contra radiação laser.
- ▶ **Não use os óculos para laser (acessório) como óculos de sol ou no trânsito.** Os óculos para laser não protegem completamente contra raios UV e reduzem a percepção de cores.
- ▶ **Cuidado – O uso de dispositivos de operação ou de ajuste diferentes dos especificados neste documento ou outros procedimentos podem resultar em exposição perigosa à radiação.**
- ▶ **Não substituir o laser montado por um laser de outro tipo.** Um laser não apropriado para esta ferramenta elétrica pode ser perigoso para pessoas.
- ▶ **Cuidado! Durante a utilização da ferramenta elétrica com Bluetooth® podem ocorrer falhas noutros aparelhos e instalações, aviões e aparelho médicos (p. ex. marca-passos, aparelhos auditivos. Também não é possível excluir lesões em pessoas e animais nas imediações. Não utilize a ferramenta elétrica com Bluetooth® nas proximidades de aparelhos médicos,**

estações de serviço, instalações químicas, áreas com perigo de explosão e em áreas de detonação. Não utilize a ferramenta elétrica com Bluetooth® em aviões. Evite o funcionamento durante um longo período de tempo junto ao corpo.

A marca nominativa Bluetooth® bem como os símbolos gráficos (logótipos) são marcas registradas e propriedade da Bluetooth SIG, Inc. Qualquer utilização desta marca nominativa/símbolos gráficos pela Robert Bosch Power Tools GmbH é feita ao abrigo de licença.

Símbolos

Os seguintes símbolos podem ser importantes para a utilização da sua ferramenta elétrica. Memorize os símbolos e o respetivo significado. A interpretação correta dos símbolos permite uma utilização melhor e mais segura da ferramenta elétrica.

Símbolos e seus respetivos significados



Raio laser
Não olhar diretamente com óticas telescópicas
Classe de laser 1M



Não coloque as mãos na área de corte quando a ferramenta elétrica estiver em funcionamento. Há perigo de lesões se houver contato com a lâmina de serra.



Usar uma máscara de proteção contra pó.



Usar óculos de proteção.



Usar protetor auricular. O ruído pode causar perda de audição.



Área de perigo! Se possível, mantenha as mãos, dedos e braços afastados desta área.



Não coloque os dedos entre as peças móveis do braço deslizante. Os dedos podem ser esmagados e seriamente lesionados.

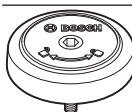


Verifique as dimensões da lâmina de serra. Não deve haver folga entre o diâmetro do orifício e o fuso da ferramenta. Se for necessário usar peças

Símbolos e seus respetivos significados

reductoras, certifique-se de que as dimensões da peça redutora são adequadas para a espessura da base do disco e para o diâmetro do orifício da lâmina de serra, assim como para o fuso da ferramenta. Se possível, use as peças reductoras fornecidas com a lâmina de serra.

O diâmetro do disco de serra deve corresponder ao descrito no símbolo.



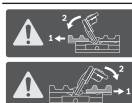
Mostra o sentido de rotação do parafuso SDS para apertar (para a esquerda) e para soltar (para a direita) o disco de serra.



Para o transporte, segure a ferramenta elétrica apenas pelas posições marcadas (cavidades) ou pelo punho.



Nunca transporte a ferramenta elétrica pelo punho do braço de deslize.



Com ângulos de meia-esquadria verticais é necessário deslocar o prolongamento do trilho limitador esquerdo ou direito e removê-lo totalmente.



O novo motor de alto rendimento oferece, em combinação com as baterias ProCORE-18V, uma potência comparável aos motores das ferramentas elétricas com fio.



Punho de aperto aberto:
Podem ser ajustados ângulos de meia-esquadria verticais.

Punho de aperto fechado:
O ângulo de meia-esquadria vertical do braço de deslize ajustado é mantido.



Indica os passos individuais para ajustar o ângulo de meia-esquadria vertical.

1. Soltar o punho de aperto
2. Virar ligeiramente o braço de deslize para a esquerda
3. Ajustar a amplitude dos ângulos de meia-esquadria verticais desejada no manípulo giratório



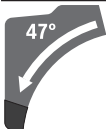
Ajustar a amplitude dos ângulos de meia-esquadria verticais no manípulo giratório:



Inclinação do disco de serra para a esquerda (45° ... 0°)

Símbolos e seus respectivos significados

Inclinação do disco de serra para a direita (0° ... 45°)



Faixa completa de rotação do braço deslizante (-47° ... +47°)

Descrição do produto e especificações

Ler todas as indicações de segurança e instruções. O desrespeito das advertências e das instruções de segurança apresentadas abaixo pode causar choque elétrico, incêndio e/ou graves lesões.

Respeite as ilustrações na parte da frente do manual de instruções.

Utilização adequada

Essa ferramenta elétrica tem como objetivo a realização de cortes longitudinais e transversais em traçado de corte reto em madeira. São possíveis ângulos de meia-esquadria horizontais de -52° até +60°, bem como ângulos de meia-esquadria verticais de 47° (lado esquerdo) até 47° (lado direito).

A potência da ferramenta elétrica é apropriada para serrar madeira macia e dura, assim como placas de aglomerados de madeira e de fibra.

É possível o cortar chapas de alumínio e plástico, desde que sejam usados discos de serra adequados.

Os dados e ajustes da ferramenta elétrica podem ser transferidos entre a ferramenta elétrica e um aparelho terminal móvel com o *Bluetooth*® Low Energy Module **GCY 42** inserido através de tecnologia de radiotransmissão *Bluetooth*®.

Componentes ilustrados

A numeração dos componentes ilustrados refere-se à apresentação da ferramenta elétrica na página de esquemas.

- (1) Punho
- (2) Trava do interruptor de ligar/desligar
- (3) Interface de usuário
- (4) Tampa de proteção
- (5) Cobertura de proteção pendular
- (6) Trilho limitador ajustável
- (7) Trilho limitador
- (8) Alongamento da mesa de trabalho
- (9) Furos para montagem
- (10) Suporte com os contornos da ferramenta

- (11) Sargento de travamento
- (12) Botão de travamento para qualquer ângulo de meia-esquadria (horizontal)
- (13) Alavanca para o pré-ajuste do ângulo de meia-esquadria (horizontal)
- (14) Punho de aperto para qualquer ângulo de meia-esquadria (vertical)
- (15) Entalhes para ângulos de meia-esquadria padrões (horizontal)
- (16) Apoio para mão
- (17) Chave sextavada interior (6 mm/4 mm)
- (18) Chave sextavada interior (2 mm)
- (19) Grampo
- (20) Rolo de deslize
- (21) Indicador de ângulo (vertical) para a faixa direita do ângulo de meia-esquadria (0° até 47°)
- (22) Defletor de limalhas
- (23) parafuso SDS
- (24) Remoção de aparas
- (25) Alavanca de fixação do mecanismo deslizante
- (26) Adaptador de aspiração
- (27) Parafuso de ajuste do limitador de profundidade
- (28) Limitador de profundidade
- (29) Placa de advertência laser
- (30) Capa de proteção contra laser
- (31) Cobertura do *Bluetooth*® Low Energy Module GCY 42
- (32) Bateria^{a)}
- (33) Botão de destravamento da bateria^{a)}
- (34) Braço de deslize
- (35) Proteção de transporte
- (36) Escala para ângulo de meia-esquadria (vertical)
- (37) Indicador de ângulo (vertical) para a faixa esquerda do ângulo de meia-esquadria (47° até 0°)
- (38) Botão de ajuste para ângulo de meia-esquadria de 22,5° (vertical)
- (39) Parafuso de travamento do limitador de comprimento
- (40) Limitador de comprimento
- (41) Escala para ângulo de meia-esquadria (horizontal)
- (42) Mesa para serrar
- (43) Manipulo giratório para ajustar a faixa de ângulo de meia-esquadria (vertical)
- (44) Lâmina de serra
- (45) Abertura para saída do raio laser
- (46) Indicador do nível de carga da bateria (interface de usuário)
- (47) Indicação de modo ECO (interface de usuário)

- (48) Tecla para pré-seleção do nº de rotações (interface de usuário)
- (49) Indicação níveis de rotação/modo (interface de usuário)
- (50) Indicação Smartphone (interface de usuário)
- (51) Indicação de estado da ferramenta elétrica (interface de usuário)
- (52) Indicação de temperatura (interface de usuário)
- (53) Trava do eixo
- (54) Parafuso de sextavado interior para a fixação da lâmina de serra
- (55) Flange de aperto
- (56) Flange de aperto interior
- (57) Alavanca de fixação da extensão da mesa de serra
- (58) Parafuso de fixação do trilho limitador móvel
- (59) Amortecedor
- (60) Parafusos de ajuste para o amortecimento
- (61) Furos para grampo
- (62) Parafuso de orelhas
- (63) Haste roscada
- (64) Indicador de ângulo de meia-esquadria (horizontal)
- (65) Interruptor de ligar/desligar
- (66) Parafusos para o suporte com os contornos da ferramenta
- (67) Parafuso de fixação do limitador de comprimento
- (68) Parafusos de ajuste para o posicionamento do laser (nivelamento)
- (69)/ Parafusos de ajuste para a definição básica de 0°
- (70)/ (ângulo de meia-esquadria vertical)
- (71)
- (72) Parafuso de ajuste para a definição básica de 45° (ângulo de meia-esquadria vertical esquerdo)
- (73) Parafuso de ajuste para a definição básica de 45° (ângulo de meia-esquadria vertical direito)
- (74) Parafusos de ajuste da escala para ângulo de meia-esquadria (horizontal)
- (75) Parafuso para o indicador de ângulo (horizontal)
- (76) Parafuso de ajuste para a força de fixação do punho de aperto para o ângulo de meia-esquadria desejado (vertical)

a) **Acessórios apresentados ou descritos não pertencem ao volume de fornecimento. Todos os acessórios encontram-se no nosso catálogo de acessórios.**

Dados técnicos

Serra de meia-esquadria telescópica		GCM 18V-305 GDC
Nº do produto		3 601 M43 0..
Tensão nominal	V=	18
Nº de rotações sem carga ^{A)}	r.p.m.	3000-4000

Serra de meia-esquadria telescópica		GCM 18V-305 GDC
Nº de rotações sem carga no modo ECO ^{A)}	r.p.m.	2550
Tipo de laser	nm	650
	mW	< 1
Classe de laser		1M
Divergência da linha laser	mrad (ângulo completo)	1,0
Peso conforme EPTA-Procedure 01:2014 ^{B)}	kg	26,9-27,8
Temperatura ambiente recomendada ao carregar	°C	0 ... +35
Temperatura ambiente admissível durante o funcionamento ^{C)} e durante o armazenamento	°C	-20 ... +50
Baterias recomendadas		GBA 18V... ProCORE18V...
Carregadores recomendados		GAL 18... GAX 18... GAL 36...

Transferência de dados

Bluetooth®		Bluetooth® 4.2 (Low Energy) ^{D)}
Distância do sinal	s	8
Alcance máximo do sinal ^{E)}	m	30

Medidas de lâminas de serra apropriadas

Diâmetro da lâmina de serra	mm	305
Espessura da lâmina mestre	mm	1,7-2,6
Largura de corte máx.	mm	3,2
Diâmetro do orifício	mm	30

A) Medido a 20-25 °C com bateria **ProCORE18V 8.0Ah**.

B) depende da bateria utilizada

C) potência limitada a temperaturas <0 °C

D) Os aparelhos terminais móveis devem ser compatíveis com aparelhos Bluetooth®-Low Energy (versão 4.2) e suportar o Generic Access Profile (GAP).

E) O alcance pode variar muito em função das condições exteriores, incluindo o aparelho de recepção utilizado. No interior de recintos fechados e devido a barreiras metálicas (p. ex. paredes, estantes, malas, etc.) o alcance do sinal Bluetooth® pode ser nitidamente mais baixo.

Medidas das peças permitidas (máximo/mínimo): (ver "Dimensões máximas compatíveis", Página 101)

Informação de ruído

Os valores de emissão de ruído foram determinados de acordo com **EN 62841-3-9**.

O nível sonoro avaliado A da ferramenta elétrica é normalmente: nível de pressão sonora **93 dB(A)**; nível de potência sonora **106 dB(A)**. Incerteza K = **3 dB**.

Use proteção auditiva!

O valor de emissão de ruído indicado nestas instruções foi medido de acordo com um método de medição padronizado e pode ser usado para comparar ferramentas elétricas entre si. Ele também é adequado para uma avaliação preliminar da emissão de ruído.

O valor de emissão de ruído representa as principais aplicações da ferramenta elétrica. No entanto, se a ferramenta elétrica for usada para outras aplicações, com diferentes acessórios acopláveis ou com manutenção insuficiente, o valor de emissão de ruído pode ser diferente. Isso pode aumentar significativamente a emissão de ruído durante todo o período de trabalho.

Para uma estimativa precisa das emissões de ruído, também devem ser considerados os momentos em que a ferramenta está desligada ou em funcionamento, mas não está realmente em uso. Isso pode reduzir significativamente as emissões de ruído durante todo o período de trabalho.

Montagem

- ▶ **Retire a bateria da ferramenta elétrica antes de qualquer trabalho na ferramenta elétrica (p. ex. manutenção, troca de acessório, etc.), assim como para transporte e armazenamento da mesma.** Em caso de acionamento inadvertido do interruptor de ligar/desligar existe perigo de ferimentos.

Volume de fornecimento

Observe a representação do volume de fornecimento no início do manual de instruções.

Antes de usar a ferramenta elétrica pela primeira vez, verifique se todas as peças listadas abaixo foram fornecidas:

- Serra para painéis com lâmina de serra montada **(44)**
- Manípulo de fixação **(12)**
- Chave sextavada interior **(17)**
- Chave sextavada interior **(18)**
- Grampo **(19)**
- parafuso SDS **(23)**
- Saco coletor do pó

Nota: Verifique se a ferramenta elétrica apresenta danos.

Antes de usar a ferramenta elétrica, verifique cuidadosamente os dispositivos de proteção e peças quanto ao funcionamento correto e eventuais danos. Verifique se as peças móveis funcionam sem problemas e não ficam presas ou se há peças danificadas. Todas as peças devem estar bem montadas e corresponder a todas as exigências, para garantir o funcionamento ideal.

Os dispositivos de proteção e peças danificados devem ser reparados ou trocados em uma oficina especializada autorizada.

Ferramentas necessárias adicionais além das fornecidas:

- Chave de fenda em cruz
- Chave de bocas (tamanho: 8 mm)

- Chave anular, de bocas ou de caixa (tamanhos: 10 mm e 17 mm)

Ativar Bluetooth® Low Energy Module GCY 42

Para informações sobre *Bluetooth® Low Energy Module GCY 42*, leia o guia de usuário associado.

Ativar a pilha de botão

- Retire a cobertura *Bluetooth® Low Energy Module GCY 42 (31)*.
- Retire o isolamento entre a pilha de botão e *Bluetooth® Low Energy Module GCY 42*.
- Feche a cobertura **(31)**, para que não entre sujeira.
- ▶ **Remova a cobertura para o Bluetooth® Low Energy Module GCY 42 na ferramenta elétrica p. ex. com uma chave de parafusos ou uma moeda.** A utilização de objetos não apropriados pode danificar o sistema eletrônico ou a cobertura.

Carregar a bateria

- ▶ **Utilize somente os carregadores indicados nos dados técnicos.** Somente estes carregadores são adequados para a bateria de íons de lítio utilizada na sua ferramenta elétrica.

Nota: A bateria é fornecida parcialmente carregada. Para assegurar a completa potência da bateria, a bateria deverá ser carregada completamente no carregador antes da primeira utilização.

A bateria de íons de lítio pode ser carregada a qualquer momento, sem que a sua vida útil seja reduzida. Uma interrupção do processo de carga não danifica a bateria.

A bateria de íons de lítio está protegida contra descarga profunda através da "Electronic Cell Protection (ECP)". Quando a bateria fica descarregada, a ferramenta elétrica se desliga através do desligamento de proteção: a ferramenta de trabalho não se move mais.

- ▶ **Depois do desligamento automático da ferramenta elétrica, não continue pressionando o interruptor de ligar/desligar.** Isso pode danificar a bateria.

Observar a indicação sobre a eliminação de forma ecológica.

Remover a bateria

A bateria **(32)** dispõe de dois níveis de bloqueio para evitar que a bateria caia se for pressionado acidentalmente o botão de destravamento da bateria **(33)**. Enquanto a bateria estiver na ferramenta elétrica, ele será mantido em posição por meio de uma mola.

Para retirar a bateria pressione o botão de destravamento e puxe a bateria para fora da ferramenta elétrica. **Ao fazê-lo, não aplique força.**

Indicador do nível de carga da bateria

Os LEDs verdes do indicador do nível de carga da bateria mostram o nível de carga da bateria. Por motivos de segurança, a consulta do nível de carga só é possível com a ferramenta elétrica parada.

Pressione a tecla para o indicador do nível de carga ou para exibir o nível de carga. Isto também é possível com a bateria removida.

Se depois de pressionar a tecla para o indicador do nível de carga não acender nenhum LED, a bateria tem defeito ou tem de ser substituída.

Nota: O nível de carga da bateria também é exibido na interface de usuário **(3)**.

Tipo de bateria GBA 18V...



LEDs	Capacidade
Luz permanente 3 x verde	60–100 %
Luz permanente 2 x verde	30–60 %
Luz permanente 1 x verde	5–30 %
Luz intermitente 1 x verde	0–5 %

Tipo de bateria ProCORE18V...



LEDs	Capacidade
Luz permanente 5 x verde	80–100 %
Luz permanente 4 x verde	60–80 %
Luz permanente 3 x verde	40–60 %
Luz permanente 2 x verde	20–40 %
Luz permanente 1 x verde	5–20 %
Luz intermitente 1 x verde	0–5 %

Montagem de peças individuais

- Retire com cuidado todas as peças de suas respectivas embalagens.
- Remova todo o material de embalagem do aparelho elétrico e dos acessórios fornecidos.

Montar o manípulo de fixação (ver figura a)

- Rosquear e apertar o manípulo **(12)** no respectivo furo por cima da alavanca **(13)**.

- ▶ **Sempre aperte bem o manípulo de fixação (12) antes de serrar.** Caso contrário, a lâmina pode enroscar na peça a ser trabalhada.

Montagem estacionária ou flexível

- ▶ **Para garantir o manuseio seguro, montar a ferramenta elétrica, antes de usá-la, em uma superfície de trabalho plana e estável (p. ex. bancada de trabalho).**

Montagem em uma superfície de trabalho (ver figura b1)

- Fixar a ferramenta elétrica na superfície de trabalho de forma apropriada. Para isso servem os furos **(9)**.

ou

- Fixe os pés da ferramenta elétrica à superfície de trabalho com sargentos convencionais.

Montagem em uma mesa de trabalho Bosch

(ver figura b2)

(GTA 2500 W, GTA 2500 Compact, GTA 2600, GTA 3800)

As mesas de trabalho GTA da Bosch oferecem firmeza à ferramenta elétrica em qualquer lugar através dos pés reguláveis em altura. As mesas de trabalho possuem apoios que servem como suporte para peças mais longas.

- ▶ **Leia todas indicações de aviso e instruções fornecidas junto com a mesa de trabalho.** O desrespeito das indicações de aviso e das instruções pode causar choque elétrico, incêndio e/ou ferimentos graves.
- ▶ **Monte corretamente a mesa de trabalho, antes de colocar a ferramenta elétrica.** Uma montagem correta é importante para evitar o risco de colapso da mesa.
- Monte a ferramenta elétrica na posição de transporte na mesa de trabalho.

Aspiração de pó/de aparas

Pós de materiais, como por exemplo, tintas que contêm chumbo, alguns tipos de madeira, minerais e metais, podem ser nocivos à saúde. O contato com o pó ou sua inalação pode provocar reações alérgicas e/ou doenças nas vias respiratórias do utilizador ou das pessoas que se encontrem por perto.

Certos pós, como por exemplo pó de carvalho e faia são considerados cancerígenos, especialmente quando juntos com substâncias para o tratamento de madeiras (cromato, preservadores de madeira). Material que contém amianto só deve ser processado por pessoal especializado.

- Se possível, deverá utilizar uma aspiração de pó.
- Assegurar uma boa ventilação do local de trabalho.
- É recomendável usar uma máscara de proteção respiratória com filtro da classe P2.

Observe as diretrizes, vigentes no seu país, relativas aos materiais a serem trabalhados.

- ▶ **Evitar acúmulos de pó no local de trabalho.** Pós podem se inflamar levemente.

O sistema de aspiração de pó/aparas pode ser bloqueado por pó, aparas ou fragmentos da peça.

- Desligue a ferramenta elétrica e retire a bateria.
- Espere até o disco de serra parar por completo.
- Determine a causa do bloqueio e elimine-o.

Aspiração externa

Para a aspiração também pode conectar no adaptador de aspiração **(26)** uma mangueira de aspirador (Ø 35 mm).

- Ligue a mangueira do aspirador ao adaptador de aspiração **(26)**.

O aspirador de pó deve ser apropriado para o material a ser trabalhado.

Utilizar um aspirador especial caso o pó seja extremamente nocivo à saúde, cancerígeno ou seco.

Limpar o adaptador de aspiração

Para assegurar uma aspiração ideal, o adaptador de aspiração (26) deve ser limpo regularmente.

- Retire o adaptador de aspiração (26) da expulsão de aparas (24), girando.
- Remova fragmentos da peça e as aparas.
- Pressione novamente o adaptador de aspiração na remoção de aparas, rodando, até que este engate sobre o anel de fixação da remoção de aparas.

Trocar o disco de serra

► **Retire a bateria da ferramenta elétrica antes de qualquer trabalho na ferramenta elétrica (p. ex. manutenção, troca de acessório, etc.), assim como para transporte e armazenamento da mesma.** Em caso de acionamento inadvertido do interruptor de ligar/desligar existe perigo de ferimentos.

► **Para a montagem do disco de serra é necessário usar luvas de proteção.** Há risco de lesões ao tocar o disco de serra.

Use apenas discos de serra, cuja velocidade máxima permitida é superior à rotação em ponto morto de sua ferramenta elétrica.

Só utilizar discos de serra que correspondam aos dados característicos indicados neste manual de instruções e que sejam controlados conforme EN 847-1 e respectivamente marcados.

Só usar discos de serra recomendados pelo fabricante desta ferramenta elétrica e apropriadas para o material com que deseja trabalhar. Isto evita um sobreaquecimento dos dentes de serra.

Montagem com parafuso de sextavado interior (ver figuras c1–c4)

Desmontar o disco de serra

- Coloque a ferramenta elétrica em posição de trabalho.
- Vire a cobertura de proteção pendular (5) para trás e mantenha-a nesta posição.
- Rode o parafuso sextavado interior (54) com a chave sextavada interior (4 mm) (17) e pressione simultaneamente a trava do fuso (53), até que esta engate.
- Mantenha a trava do fuso (53) pressionada e desaperte o parafuso sextavado interior (54) no sentido horário (rosca à esquerda!).
- Remova o flange de aperto (55).
- Retire o disco de serra (44).
- Desloque lentamente a cobertura de proteção pendular novamente para baixo.

Montar o disco de serra

► **Ao montar, observe se o sentido de corte dos dentes (sentido da seta no disco de serra) coincide com o sentido da seta na tampa de proteção!**

Se necessário, antes da montagem limpe todas as peças.

- Vire a cobertura de proteção pendular (5) para trás e mantenha-a nesta posição.

- Coloque o novo disco de serra no flange de aperto interior (56).
- Coloque o flange de aperto (55) e o parafuso de sextavado interior (54). Pressione o bloqueio do fuso (53), até que este engate, e aperte o parafuso de sextavado interior rodando para a esquerda.
- Desloque novamente a cobertura de proteção pendular para baixo.

Montagem com parafuso SDS (ver figura d)

► **Nos cortes em meia esquadria verticais e com utilização do parafuso SDS (23), antes de começar a serrar, deve assegurar-se, através do ajuste adequado do limitador de profundidade (28), que o parafuso SDS não toca em momento algum na superfície da peça.** Isso evita que o parafuso SDS e/ou a peça sejam danificados.

Desmontar o disco de serra

- Coloque a ferramenta elétrica em posição de trabalho.
- Vire a cobertura de proteção pendular (5) para trás e mantenha-a nesta posição.
- Rode o parafuso SDS (23) e pressione em simultâneo a trava do fuso (53), até que engate.
- Mantenha a trava do fuso (53) pressionada e desaperte o parafuso SDS (23) no sentido horário (rosca à esquerda!).
- Remova o flange de aperto (55).
- Retire o disco de serra (44).
- Desloque lentamente a cobertura de proteção pendular novamente para baixo.

Montar o disco de serra

► **Ao montar, observe se o sentido de corte dos dentes (sentido da seta no disco de serra) coincide com o sentido da seta na tampa de proteção!**

Se necessário, antes da montagem limpe todas as peças.

- Vire a cobertura de proteção pendular (5) para trás e mantenha-a nesta posição.
- Coloque o novo disco de serra no flange de aperto interior (56).
- Coloque o flange de aperto (55) e o parafuso SDS (23). Pressione a trava do fuso (53), até que esta engate, e aperte o parafuso SDS no sentido anti-horário.
- Desloque lentamente a cobertura de proteção pendular novamente para baixo.

Funcionamento

► **Retire a bateria da ferramenta elétrica antes de qualquer trabalho na ferramenta elétrica (p. ex. manutenção, troca de acessório, etc.), assim como para transporte e armazenamento da mesma.** Em caso de acionamento inadvertido do interruptor de ligar/desligar existe perigo de ferimentos.

Proteção de transporte (ver figura A)

A proteção de transporte (35) permite um manuseamento mais fácil da ferramenta elétrica ao transportá-la para diferentes locais de utilização.

Liberar a ferramenta elétrica (posição de trabalho)

- Pressione o braço de deslize (34) no punho (1) um pouco para baixo, para aliviar a proteção de transporte (35).
- Puxe a proteção de transporte (35) totalmente para fora.
- Desloque lentamente o braço de deslize (34) para cima.

Travar a ferramenta elétrica (posição de transporte)

- Empurre o braço de deslize (34) totalmente para trás e fixe-o nesta posição.
- Desloque o braço de deslize para baixo até que seja possível pressionar a proteção de transporte (35) totalmente para dentro.

Outras indicações: (ver "Transporte (ver figura Z)", Página 104)

Travar o braço de deslize

O braço de deslize (34) por ser travado com a ajuda da alavanca de aperto (25). Neste caso, são possíveis duas posições para o braço de deslize:

- Braço de deslize totalmente empurrado para trás (para cortes transversais)
- Braço de deslize totalmente puxado para a frente (para uma posição de transporte compacta)

Soltar o braço de deslize (ver figura B1)

Após o destravamento, (34), o mecanismo de deslize fica operacional.

- Pressione a alavanca de aperto (25) para baixo até ao batente.
- A cunha da alavanca de aperto libera as duas partes articuladas inferiores do braço de deslize.

Ao serrar ângulos de meia-esquadria horizontais e/ou verticais, o carril limitador ajustável (6) esquerdo ou direito tem de ser puxado para fora ou totalmente retirado, em função do sentido de corte.

Ângulo de meia-esquadria vertical	Ângulo de meia-esquadria horizontal	
0°–47° (esquerda)	≤ 44° (direita/ esquerda)	<ul style="list-style-type: none"> – Solte o parafuso de travamento (58). – Puxe o carril limitador ajustável (6) esquerdo totalmente para fora.
0°–47° (esquerda)	≥ 45° (direita/ esquerda)	<ul style="list-style-type: none"> – Solte o parafuso de travamento (58). – Puxe o carril limitador ajustável (6) esquerdo totalmente para fora. – Levante o carril limitador ajustável. – Retire o parafuso de travamento (58).
0°–47° (direita)	≤ 44° (direita/ esquerda)	<ul style="list-style-type: none"> – Solte o parafuso de travamento (58). – Puxe o carril limitador ajustável (6) direito totalmente para fora. – Levante o carril limitador ajustável.
0°–47° (direita)	≥ 45° (direita/ esquerda)	<ul style="list-style-type: none"> – Levante o carril limitador ajustável.

Fixar o braço de deslize (ver figura B2)

Braço de deslize totalmente empurrado para trás:

- Empurre o braço de deslize (34) para trás até o limitador.
- As duas partes articuladas superiores do braço de deslize estão agora na vertical e fechadas.
- Puxe a alavanca de aperto (25) para cima, até que a cunha de aperto entre as duas partes articuladas inferiores do braço de deslize esteja posicionada.
- Assim, o braço de deslize (34) totalmente empurrado para trás fica travado.

Braço de deslize totalmente puxado para a frente:

- Empurre o braço de deslize (34) para a frente até o limitador.
- O mecanismo de deslize está agora totalmente avançado.
- Puxe a alavanca de aperto (25) para cima, até que a cunha de aperto entre as duas partes articuladas inferiores do braço de deslize esteja posicionada.
- Assim, o braço de deslize (34) totalmente puxado para a frente fica travado.

Preparação do trabalho

Estender a mesa de serra (ver figura C)

As peças mais longas devem ser apoiadas na extremidade livre.

A mesa de serra pode ser estendida para a esquerda e para a direita com a ajuda dos respectivos prolongamentos (8).

- Vire a alavanca de aperto (57) para dentro.
- Puxe o prolongamento da mesa de serra (8) para fora até o comprimento desejado (máximo 250 mm).
- Para fixar o prolongamento da mesa de serra, pressione novamente a alavanca de aperto (57) para fora.

Deslocar o carril limitador (ver figuras D–E)

Ajustar o amortecimento do braço de deslize (ver figura F)

O mecanismo de deslize do braço de deslize (34) vem pré-ajustado de fábrica e não está amortecido no fornecimento da ferramenta elétrica.

O amortecimento do mecanismo de deslize pode ser ajustado individualmente no amortecedor (59):

duro – movimentos de trabalho controlados;

macio – cortes de serra rápidos.

- Solte os dois parafusos de ajuste (60) com a chave sextavada interior (4 mm) (17) para um amortecimento **mais macio**

– ou

- aperte mais os dois parafusos de ajuste (60) para um amortecimento **mais duro**.

Fixar a peça (ver figura G)

Para garantir a melhor segurança de trabalho, sempre prenda a peça.

Não trabalhe peças que não sejam grandes o suficiente para serem fixas.

- Pressione bem a peça contra os carris limitadores (7) e (6).

- Introduza o sargento fornecido (19) em um dos orifícios (61) previstos para o efeito.

- Solte o parafuso de orelhas (61) e adapte o sargento à peça. Aperte novamente o parafuso de orelhas.

- Aperte bem a haste roscada (63) e fixe assim a peça.

Soltar a peça a ser trabalhada

- Para soltar o sargento rode a haste roscada (63) para a esquerda.

Ajustar ângulo padrão de meia-esquadria horizontal

Ajustar ângulo de meia-esquadria horizontal (ver figura H)

Para o ajuste rápido e preciso de ângulos de meia-esquadria horizontais utilizados frequentemente, existem entalhes na mesa de serra (15):

Esquerda	Direita
0°	
45°; 31,6°; 22,5°; 15°	15°; 22,5°; 31,6°; 45°; 60°

- Solte o manípulo de fixação (12), se estiver apertado.

- Puxe a alavanca (13) e gire a mesa de serra (42) para a esquerda ou para a direita até ao entalhe desejado.

- Solte novamente a alavanca. A alavanca deve engatar no entalhe de forma perceptível.

- Aperte novamente o manípulo (12).

Ajustar o ângulo de meia-esquadria horizontal desejado (ver figura I)

O ângulo de meia-esquadria horizontal pode ser ajustado em uma faixa de 52° (lado esquerdo) até 60° (lado direito).

- Solte o manípulo de fixação (12), se estiver apertado.

- Puxe a alavanca (13) e pressione simultaneamente o sargento de fixação (11), até engatar na ranhura. Assim a mesa de serra pode se mover livremente.

- Gire a mesa de serra (42) no manípulo para a esquerda ou para a direita, até que o indicador de ângulo (64) indique o ângulo de meia-esquadria horizontal desejado.

- Aperte novamente o manípulo (12).

- Para soltar novamente a alavanca (13) (para ajustar ângulos padrão de meia-esquadria horizontais), puxe a alavanca para cima.

O sargento de fixação (11) volta para a sua posição original e a alavanca (13) pode ser engatada novamente nos entalhes (15).

Ajustar ângulo de meia-esquadria vertical

O ângulo de meia-esquadria vertical pode ser ajustado em uma faixa de 47° (lado esquerdo) até 47° (lado direito).

Para o ajuste rápido e preciso de ângulos de meia-esquadria verticais utilizados frequentemente, existem batentes para os ângulos de 0°, 22,5°, 45° e 47°.

Ajustar a amplitude dos ângulos de meia-esquadria verticais à esquerda (45° até 0°)

L

- Puxe o carril limitador ajustável (6) esquerdo totalmente para fora.

- Solte o punho de aperto (14).

- Vire o braço de deslize (34) no punho (1) para a esquerda, até que o indicador de ângulo (37) indique o ângulo de meia-esquadria vertical desejado.

- Mantenha o braço de deslize (34) nesta posição e aperte novamente o punho de aperto (14).

A força de aperto do punho deve manter a posição do braço de deslize de forma segura em qualquer ângulo de meia-esquadria vertical desejado.

Ajustar a amplitude dos ângulos de meia-esquadria verticais à direita (0° até 45°) (ver figura J)

45° R

- Puxe o carril limitador ajustável (6) direito totalmente para fora.

- Solte o punho de aperto (14).

- Gire o braço de deslize (34) no punho (1) ligeiramente para a esquerda para fora da posição de 0° e rode o manípulo rotativo (43), até que seja indicada a amplitude dos ângulos de meia-esquadria verticais desejada.

- Vire o braço de deslize (34) no punho (1) para a direita, até que o indicador de ângulo (21) indique o ângulo de meia-esquadria desejado.

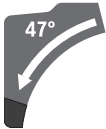
- Mantenha o braço de deslize (34) nesta posição e aperte novamente o punho de aperto (14).

A força de aperto do punho deve manter a posição do braço de deslize de forma segura em qualquer ângulo de meia-esquadria vertical desejado.

Ajustar o ângulo padrão de meia-esquadria vertical em 0°

Para que o ângulo padrão de meia-esquadria vertical em 0° possa ser reajustado facilmente, o manípulo rotativo (43) engata na amplitude dos ângulos de meia-esquadria verticais à esquerda.

- Vire o braço de deslize (34) a partir da direita para além da posição de 0°.

Ajustar a amplitude dos ângulos de meia-esquadria verticais total (-47° até +47°)

- Puxe os dois carris limitadores ajustáveis (6) totalmente para fora.
- Solte o punho de aperto (14).
- Gire o braço de deslize (34) no punho (1) ligeiramente para a esquerda para fora da posição de 0° e rode o manípulo rotativo (43), até que seja indicada a amplitude dos ângulos de meia-esquadria verticais desejada.
- Vire o braço de deslize (34) no punho (1) para a esquerda ou para a direita, até que o indicador de ângulo (37) ou (21) indique o ângulo de meia-esquadria vertical desejado.
- Mantenha o braço de deslize (34) nesta posição e aperte novamente o punho de aperto (14).

A força de aperto do punho deve manter a posição do braço de deslize de forma segura em qualquer ângulo de meia-esquadria vertical desejado.

Ajustar o ângulo de meia-esquadria vertical standard de 22,5° (ver figura K)

Puxe o botão de regulação (38) totalmente para fora e rode-o em 90°. A seguir rode o braço de deslize (34) no punho (1), até que o braço de deslize engate de forma audível.

Ajustar ângulo de meia-esquadria horizontal e vertical**Colocando em funcionamento****Colocar a bateria**

- Use apenas baterias de íons de lítio originais Bosch com a tensão indicada na placa de características da

Indicadores de estado

Indicador do nível de carga da bateria (interface de usuário) (46)	Significado/causa	Solução
verde (2 a 5 barras)	Bateria carregada	–
amarelo (1 barra)	Bateria quase vazia	Substituir ou carregar a bateria em breve
vermelho (1 barra)	Bateria vazia	Substituir ou carregar a bateria

sua ferramenta elétrica. O uso de outras baterias pode causar ferimentos ou perigo de incêndio.

- Empurre a bateria carregada (32) para dentro do compartimento da bateria da ferramenta elétrica, até que a bateria bloqueie de forma segura.

Ligar (ver figura L)

- Para **ligar** a ferramenta elétrica, empurre **primeiro** o bloqueio de ligação (2) para o centro e pressione **em seguida** o interruptor de ligar/desligar (65) e mantenha-o pressionado.

Nota: Por motivos de segurança o interruptor de ligar/desligar (65) não pode ser travado, tem de permanecer continuamente pressionado durante o funcionamento.

Desligar

- Para **desligar** solte o interruptor de ligar/desligar (65).

Modo ECO

Se a ferramenta elétrica for operada no modo Eco economizador de energia, a autonomia de funcionamento da bateria pode prolongar-se em até 20 %.

Quando o modo Eco está ativo, é exibido na indicação dos níveis de rotação/modo (49) o símbolo **E**. Adicionalmente se acende a indicação Modo ECO (47).

Interface de usuário

A interface de usuário (3) serve para pré-selecionar o nº de rotações e para indicar o estado da ferramenta elétrica.

Pré-seleção do nº de rotações (velocidade)

Estão predefinidos um modo Eco e 3 níveis de rotação. Com a tecla para a pré-seleção do nº de rotações (48) pode pré-selecionar o nº de rotações necessário mesmo durante o funcionamento.

Nível de rotação	Número de rotações [r.p.m.]
Eco	2550
1	3000
2	3500
3	4000

Indicação da temperatura (52)	Significado/causa	Solução
amarelo	Temperatura crítica atingida (motor, eletrônica, bateria)	Deixar a ferramenta elétrica funcionar em vazio e esfriar
vermelho	A ferramenta elétrica está superaquecida e se desliga	Deixar a ferramenta elétrica esfriar

Indicação Smartphone (50) e indicação do estado da ferramenta elétrica (51)	Significado/causa	Solução
amarelo	Lembrete de serviço	Para mais informações consultar a aplicação Bosch Toolbox ou solicitar a realização do serviço

Indicação de estado da ferramenta elétrica (51)	Significado/causa	Solução
verde	Estado OK	–
amarelo	Temperatura crítica atingida ou bateria quase vazia	Deixar a ferramenta elétrica funcionar em vazio e esfriar, ou trocar ou carregar bateria em breve
vermelho	A ferramenta elétrica está superaquecida ou a bateria está vazia	Deixar a ferramenta elétrica esfriar, ou troque ou carregue a bateria
vermelho intermitente	A proteção contra reaquecimento involuntário disparou	Desligar e voltar a ligar a ferramenta elétrica, se necessário retirar a bateria e voltar a colocá-la.

Funções Connectivity

Juntamente com o *Bluetooth*® Low Energy Module GCY 42 são disponibilizadas as seguintes funções Connectivity para a ferramenta elétrica:

- Registro e personalização
- Verificação do estado, emissão de mensagens de aviso
- Informações gerais e ajustes
- Gestão
- Ajuste dos níveis de rotação

Para informações sobre *Bluetooth*® Low Energy Module GCY 42, leia o guia de usuário associado.

A indicação Smartphone (50) se acende, se a ferramenta elétrica enviar uma informação (p. ex. aviso de temperatura) via tecnologia de radiotransmissão *Bluetooth*® a um aparelho terminal móvel.

Indicações de trabalho

Indicações gerais para serrar

- ▶ **Aperte sempre o manipulador de fixação (12) e o punho de aperto (14) antes de serrar.** caso contrário, o disco de serra pode emperrar na peça.
- ▶ **Aperte sempre o manipulador de fixação (12) e a alavanca de fixação antes de serrar.** caso contrário, o disco de serra pode emperrar na peça.
- ▶ **Antes de todos os cortes, certifique-se que o disco de serra não entra em contato com os carris limitadores, sargentos ou outras partes do aparelho em momento**

algum. Se houver limitadores auxiliares montados, retire-os ou adapte-os de forma adequada.

- ▶ **A ferramenta elétrica com *Bluetooth*® Low Energy Module GCY 42 inserido, está equipada com uma interface de comunicação. Devem ser observadas as restrições de operação locais, p. ex. em aviões ou hospitais.**
- ▶ **Nas áreas onde a tecnologia de radiotransmissão *Bluetooth*® não pode ser usada, têm de ser retirados o *Bluetooth*® Low Energy Module GCY 42 e a bateria de botão.**

As peças compridas e pesadas devem ser apoiadas na extremidade livre.

Não processe peças deformadas. A peça deve ter sempre uma aresta reta para encostar ao carril limitador.

Serre apenas materiais que sejam permitidos na utilização adequada.

Proteja o disco de serra contra impactos e choques. Não exponha o disco de serra a pressão lateral.

Certifique-se de que a cobertura de proteção pendular funciona corretamente e se pode movimentar sem restrições. Ao deslocar o braço da ferramenta para baixo, a cobertura de proteção pendular deve abrir. Ao deslocar o braço da ferramenta para cima, a cobertura de proteção pendular deve se fechar novamente sobre o disco de serra e travar na posição superior do braço da ferramenta.

Marcar a linha de corte (ver figura M)

Dois feixes de orientação a laser indicam a linha de corte do disco de serra. Deste modo, pode-se posicionar de forma

exata a peça a serrar, sem abrir a cobertura de proteção pendular.

- Para tal, ligue os feixes de orientação a laser tocando brevemente no interruptor de ligar/desligar (65), sem pressionar a trava de ligação (2).
- Alinhe a sua marcação na peça entre as duas linhas laser.

Nota: Antes de serrar, verifique se a linha de corte ainda está indicada corretamente (ver "Ajustar o laser", Página 102). Os feixes de orientação a laser podem deslocar-se, p. ex. devido às vibrações no caso de utilização intensa.

Posição do operador/usuário (ver figura N)

- ▶ **Nunca fique alinhado com o disco de serra à frente da ferramenta elétrica. Procure se posicionar sempre lateralmente em relação ao disco de serra.** Assim o seu corpo fica protegido contra possível contragolpe.
- Mantenha as mãos, os dedos e os braços afastados do disco de serra em rotação.
- Não cruze as mãos à frente do braço da ferramenta.

Substituir as placas de alimentação (ver figura O)

As placas de alimentação (10) podem desgastar-se após uma utilização prolongada da ferramenta elétrica.

Troque as placas de alimentação defeituosas.

- Coloque a ferramenta elétrica em posição de trabalho.
- Retire os parafusos (66) com a chave sextavada inferior (18) e remova as placas de alimentação usadas.
- Coloque a nova placa de alimentação da direita.
- Aparafuse a placa de alimentação com os parafusos (66) o mais à direita possível, de modo que não exista contato entre os possíveis movimentos de tração do disco de serra e a placa de alimentação.
- Repita os passos anteriores para substituir a placa de alimentação esquerda.

Dimensões máximas compatíveis

Ângulo de meia-esquadria horizontal	Ângulo de meia-esquadria vertical	Altura x largura [mm]
0°	0°	104 x 341 45 x 400 ^{A)} 120 x 200 ^{B)} 180 x 40
45° (esquerda)	0°	104 x 240 180 x 20
0°	45° (esquerda)	60 x 341
0°	45° (direita)	40 x 341
45°	45° (esquerda)	60 x 240
45°	45° (direita)	40 x 240

A) com limitador de distância horizontal (altura x largura: 60 mm x 400 mm)

B) com limitador de distância vertical (altura x largura: 72 mm x 50 mm)

Peças **dimensões mínimas** (= todas as peças que podem ser fixadas com o sargento (19) fornecido à esquerda ou à

direita do disco de serra): 160 mm x 35 mm (comprimento x largura)

Profundidade de corte máxima (0°/0°): 120 mm

Serrar

Serrar sem movimento de tração (cortes transversais) (ver figura P)

- Empurre o braço de deslize (34) totalmente para trás e fixe-o nesta posição. Certifique-se de que o limitador de profundidade (28) está totalmente pressionado para dentro e que o parafuso de ajuste (27) cabe no entalhe sem entrar em contato com o limitador de profundidade ao mover o braço de deslize.
- Fixe a peça de acordo com as dimensões.
- Se necessário, ajuste o ângulo de meia-esquadria desejado (horizontal e/ou vertical).
- Ligue a ferramenta elétrica.
- Desloque o braço de deslize (34) com o punho (1) lentamente para baixo.
- Serre a peça com um avanço uniforme.
- Desligue a ferramenta elétrica e espere que o disco de serra pare por completo.
- Mova lentamente o braço de deslize (34) para cima.

Serrar com movimento de tração (ver figura Q)

▶ **Segure bem o punho antes de ligar e durante todo o processo de serragem. Efetue um movimento controlado com o braço de deslize ao serrar.** Um momento de distração pode causar ferimentos graves.

- Destrave o braço de deslize (34). Verifique se todo o mecanismo de deslize está funcionando puxando o braço de deslize (34) para a frente e para trás.
- Fixe a peça de acordo com as dimensões.
- Se necessário, ajuste o ângulo de meia-esquadria desejado (horizontal e/ou vertical).
- Afaste o braço de deslize (34) com o punho (1) do carril limitador (7), até que o disco de serra fique na frente da peça.
- Ligue a ferramenta elétrica.
- Desloque o braço de deslize (34) com o punho (1) lentamente para baixo.
- Pressione agora o braço de deslize (34) na direção do carril limitador (7) e serre a peça com um avanço uniforme.
- Desligue a ferramenta elétrica e espere que o disco de serra pare por completo.
- Desloque o braço de deslize (34) lentamente para cima.

Serrar peças de mesmo comprimento (ver figura R)

Para serrar facilmente peças de mesmo comprimento pode-se utilizar o limitador longitudinal (40) (acessório).

Monte o limitador longitudinal de ambos os lados da extensão da mesa de serra (8).

- Solte o parafuso de travamento (39) e gire o limitador longitudinal (40) sobre o parafuso de fixação (67).
- Aperte novamente o parafuso de travamento (39).
- Ajuste a extensão da mesa de serra (8) para o comprimento desejado.

Ajustar o limitador de profundidade (serrar ranhura) (ver figura S)

O limitador de profundidade deve ser ajustado para serrar uma ranhura. Se preferir, utilize um limitador de distância.

- Gire o batente de profundidade (28) para fora.
- Gire o braço de deslize (34) no punho (1) para a posição desejada.
- Gire o parafuso de ajuste (27), até que a extremidade do parafuso toque no limitador de profundidade (28).
- Mova o braço de deslize (34) lentamente para cima.



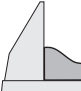

Peças especiais

Ao serrar peças curvas ou redondas, é preciso fixá-las firmemente para que não escorreguem. Na linha de corte não pode haver folga entre a peça, carril limitador e mesa de serra.

Se necessário, terá de fabricar suportes especiais.

Processar barras perfiladas

As barras perfiladas podem ser processadas de dois modos diferentes:

Posicionamento da peça	Rodapé	Acabamento de teto
- colocada contra o carril limitador		
- deitada na mesa de serra		

Para além disso, pode executar os cortes com ou sem movimento de tração em função da largura da barra perfilada.

Sempre teste o ângulo de meia-esquadria ajustado (horizontal e/ou vertical) em madeira de descarte.

Verificar e ajustar as definições básicas

Para garantir cortes precisos, é necessário verificar as definições básicas da ferramenta elétrica após uma utilização intensa e, eventualmente, voltar a ajustar, o que exige experiência e uma ferramenta especial correspondente.

As assistências técnicas autorizadas Bosch efetuam esse trabalho de forma rápida e confiável.

Ajustar o laser

Nota: Para testar o funcionamento do laser a ferramenta elétrica tem de estar ligada à alimentação elétrica.

► Durante o ajuste do laser (p. ex. ao mover o braço da ferramenta) nunca acione o interruptor de ligar/

desligar. O arranque não intencional da ferramenta elétrica pode causar ferimentos.

- Coloque a ferramenta elétrica em posição de trabalho.
- Gire a mesa de serra (42) até à ranhura (15) para 0°. A alavanca (13) deve engatar na ranhura de forma perceptível.

Controlar (ver figura T1)

- Desenhe uma linha de corte reta sobre a peça a ser trabalhada.
- Conduza o braço de deslize (34) com o punho (1) lentamente para baixo.
- Alinhe a peça de modo a que os dentes do disco de serra fiquem alinhados com a linha de corte.
- Segure a peça nesta posição e mova o braço de deslize novamente para cima (lentamente).
- Fixe a peça.
- Ligue os feixes de orientação a laser com o interruptor.

Os feixes de orientação a laser devem ficar, em todo o comprimento e à esquerda e à direita, à mesma distância da linha de corte desenhada na peça, mesmo que o braço de deslize tenha sido deslocado para baixo.

Ajustar (ver figura T2)

1. Ajustar o feixe de orientação a laser direito:
 - Rode o parafuso de ajuste direito (68) com a chave sextavada interior (18), até que o feixe de orientação a laser direito fique nivelado, em todo o comprimento, com a linha de corte desenhada na peça. Deste modo, o feixe de orientação a laser esquerdo é movido juntamente.

Uma rotação para a esquerda move o feixe de orientação a laser da esquerda para a direita, uma rotação para a direita move o feixe de orientação a laser da direita para a esquerda.

2. Ajustar o feixe de orientação a laser esquerdo:

- Rode o parafuso de ajuste esquerdo (68) com a chave sextavada interior (18), até que o feixe de orientação a laser esquerdo esteja à mesma distância da linha de corte desenhada na peça que o feixe de orientação a laser direito.

Uma rotação para a esquerda move o feixe de orientação a laser da esquerda para a direita, uma rotação para a direita move o feixe de orientação a laser da direita para a esquerda.

Ajustar o ângulo padrão de meia-esquadria vertical de 0°

- Coloque a ferramenta elétrica em posição de transporte.
- Gire a mesa de serra (42) até a ranhura (15) para 0°. A alavanca (13) deve ser engatada na ranhura de forma perceptível.

Verificar (ver figura U1)

- Ajuste o calibre angular em 90° e coloque-o sobre a mesa de serra (42).

O braço do calibrador angular deve estar rente ao disco de serra (44) em todo o comprimento.

Ajustar (ver figura U2)

- Solte o punho de aperto (14).

- Solte os dois parafusos de ajuste **(69)** (no mínimo 1 volta) com uma chave de caixa (10 mm).
- Solte o parafuso de ajuste **(71)** (aprox. 3 voltas) com a chave sextavada interior (4 mm) **(17)**.
- Gire o parafuso de ajuste **(70)** com a chave sextavada interior (4 mm) **(17)** para dentro ou para fora, até que o braço do calibrador de ângulos esteja nivelado, em todo o comprimento, com o disco de serra.
- Aperte novamente o punho de aperto **(14)**. A seguir, reaperte primeiro o parafuso de ajuste **(71)** e depois os parafusos de ajuste **(69)**.

Se, após o ajuste, os calibradores angulares **(37)** e **(21)** não estiverem alinhados com as marcas de 0° na escala **(36)**, solte os parafusos de fixação dos calibradores de ângulos com uma chave de fenda em cruz e alinhe os calibradores ao longo das marcas de 0°.

Ajustar o ângulo padrão de meia-esquadria vertical de 45° (esquerda)

- Coloque a ferramenta elétrica em posição de trabalho.
- Gire a mesa de serra **(42)** até a ranhura **(15)** para 0°. A alavanca **(13)** deve ser engatada na ranhura de forma perceptível.
- Puxe o carril limitador ajustável **(6)** esquerdo totalmente para fora.
- Solte o punho de aperto **(14)** e vire o braço de deslize no punho **(1)** para a esquerda até ao batente (45°).

Verificar (ver figura V1)

- Ajuste o calibrador angular para 45° e coloque-o sobre a mesa de serra **(42)**.

O braço do calibrador de angular deve estar rente ao disco de serra **(44)** em todo o comprimento.

Ajustar (ver figura V2)

- Gire o parafuso de ajuste **(72)** com uma chave de bocas (8 mm) para dentro ou para fora, até que o braço do calibrador angular esteja nivelado em todo o comprimento com o disco de serra.
- Aperte novamente o punho de aperto **(14)**.

Se, após o ajuste, os calibradores **(37)** e **(21)** não estiverem alinhados com as marcas de 45° na escala **(36)**, verifique primeiro o ajuste de 0° para o ângulo de meia-esquadria vertical e os calibradores. A seguir, repita o ajuste do ângulo de meia-esquadria vertical de 45°.

Ajustar o ângulo padrão de meia-esquadria vertical de 45° (direita)

- Coloque a ferramenta elétrica em posição de trabalho.
- Gire a mesa de serra **(42)** até a ranhura **(15)** para 0°. A alavanca **(13)** deve engatar na ranhura de forma perceptível.
- Puxe o carril limitador ajustável **(6)** direito totalmente para fora.
- Solte o punho de aperto **(14)**.
- Gire o braço de deslize no punho **(1)** ligeiramente para a esquerda para fora da posição de 0° e rode o manípulo rotativo **(43)**, até que seja indicada a

amplitude dos ângulos de meia-esquadria verticais à direita.

- Gire o braço de deslize no punho **(1)** para a direita até o limitador (45°).

Verificar (ver figura W1)

- Ajuste o calibrador angular para 135° e coloque-o sobre a mesa de serra **(42)**.

O braço do calibrador deve estar rente ao disco de serra **(44)** em todo o comprimento.

Ajustar (ver figura W2)

- Gire o parafuso de ajuste **(73)** com uma chave de bocas (8 mm) para dentro ou para fora, até que o braço do calibrador de ângulos esteja nivelado em todo o comprimento com o disco de serra.
- Aperte novamente o punho de aperto **(14)**.

Se, após o ajuste, os calibradores **(37)** e **(21)** não estiverem alinhados com as marcas de 45° na escala **(36)**, verifique primeiro o ajuste de 0° para o ângulo de meia-esquadria vertical e os calibradores. A seguir, repita o ajuste do ângulo de meia-esquadria vertical de 45°.

Alinhar a escala para o ângulo de meia-esquadria horizontal

- Coloque a ferramenta elétrica em posição de trabalho.
- Gire a mesa de serra **(42)** até a ranhura **(15)** para 0°. A alavanca **(13)** deve ser engatada na ranhura de forma perceptível.

Verificar (ver figura X1)

- Ajuste o calibrador de ângulos para 90° e coloque-o entre o carril limitador **(7)** e o disco de serra **(44)** na mesa de serra **(42)**.

O braço do calibrador angular deve estar rente ao disco de serra **(44)** em todo o comprimento.

Ajustar (ver figura X2)

- Solte os quatro parafusos de ajuste **(74)** com a chave sextavada interior (4 mm) **(17)** e gire a mesa de serra **(42)** juntamente com a escala **(41)**, até que o braço do calibrador de ângulos esteja rente ao disco de serra em todo o comprimento.
- Volte a apertar os parafusos.

Se o indicador de ângulo **(64)** após o ajuste não estiver alinhado com a marca de 0° na escala **(41)**, solte o parafuso **(75)** com uma chave de fenda em cruz e alinhe o indicador de ângulo ao longo da marca de 0°.

Ajustar a força de aperto do punho (14) (ver figura Y)

A força de aperto do punho de aperto **(14)** pode ser reajustada.

Verificar

- A força de aperto do punho de aperto deve manter a posição do braço de deslize de forma segura em qualquer ângulo de meia-esquadria vertical desejado.

Ajustar

- Solte o punho de aperto **(14)**.
- Gire o parafuso de ajuste **(76)** com uma chave de caixa (17 mm) para a esquerda para reduzir a força de aperto, ou rode-o para a direita para aumentar a força de aperto.

- Ajuste um ângulo de meia-esquadria vertical, aperte novamente o punho de aperto (14) e verifique se a força de aperto desejada foi alcançada.

Transporte (ver figura Z)

Antes de transportar a ferramenta elétrica tem de executar os seguintes passos:

- Puxe o braço de deslize (34) totalmente para trás e fixe-o nesta posição.
 - Certifique-se de que o limitador de profundidade (28) está totalmente pressionado para dentro e que o parafuso de ajuste (27) cabe no entalhe sem entrar em contato com o limitador de profundidade ao mover o braço de deslize.
 - Desloque o braço de deslize para baixo até que seja possível pressionar a proteção de transporte (35) totalmente para dentro
 - Empurre a extensão da mesa de serra (8) toda para dentro.
 - Ajuste um ângulo de meia-esquadria vertical de 0° e aperte o punho de aperto (14).
 - Gire a mesa de serra (42) para a esquerda até o limitador e aperte o manípulo de fixação (12).
 - Remova todos os acessórios que não podem ser montados firmemente na ferramenta elétrica.
 - Colocar os discos de serra não usados, se possível, em um recipiente fechado.
 - Para transportar, segure as cavidades (16) laterais na mesa de serra.
- **Para transportar a ferramenta elétrica use apenas os dispositivos de transporte e nunca os dispositivos de proteção, o braço de deslize ou o punho .**

Manutenção e serviço

Manutenção e limpeza

- **Retire a bateria da ferramenta elétrica antes de qualquer trabalho na ferramenta elétrica (p. ex. manutenção, troca de acessório, etc.), assim como para transporte e armazenamento da mesma.** Em caso de acionamento inadvertido do interruptor de ligar/desligar existe perigo de ferimentos.
- **Manter a ferramenta elétrica e as aberturas de ventilação sempre limpas, para trabalhar bem e de forma segura.**

A capa de proteção pendular deve se movimentar sempre livremente e fechar-se automaticamente. Mantenha a área ao redor da cobertura de proteção pendular sempre limpa. Remova o pó e as aparas após cada ciclo de trabalho soprando com ar comprimido ou usando um pincel. Limpe regularmente o rolo de deslize (20).

Acessórios

	Número de produto
Saco coletor do pó	1 609 B05 010
Mesa de trabalho GTA 2500 W	0 601 B12 100
Mesa de trabalho GTA 2500 Compact	0 601 B12 400
Mesa de trabalho GTA 2600	0 601 B12 300
Mesa de trabalho GTA 3800	0 601 B24 000
3 601 M43 000: Discos de serra para madeira e contraplacados, painéis e ripas	
Standard for Wood	2 608 837 741
305 x 2,2/1,6 x 30 mm, 40 dentes	
Standard for Wood	2 608 837 742
305 x 2,2/1,6 x 30 mm, 60 dentes	
Standard for Wood	2 608 837 744
305 x 2,2/1,6 x 30 mm, 96 dentes	
Expert for Wood	2 608 644 527
305 x 2,2/1,6 x 30 mm, 42 dentes	
Expert for Wood	2 608 644 528
305 x 2,2/1,6 x 30 mm, 60 dentes	
Expert for Wood	2 608 644 529
305 x 2,2/1,6 x 30 mm, 96 dentes	
3 601 M43 000: Discos de serra para alumínio	
Standard for Aluminium	2 608 837 782
305 x 2,4/1,8 x 30 mm, 96 dentes	
Expert for Aluminium	2 608 644 547
305 x 2,4/1,8 x 30 mm, 96 dentes	
3 601 M43 000: Discos de serra para placas de fibrocimento	
Expert for Fibre Cement	2 608 644 559
305 x 2,2/1,6 x 30 mm, 8 dentes	

Serviço pós-venda e assistência ao cliente

O serviço pós-venda responde às suas perguntas a respeito de serviços de reparação e de manutenção do seu produto, assim como das peças sobressalentes. Desenhos explodidos e informações sobre peças sobressalentes também em:

www.bosch-pt.com

A nossa equipe de consultores Bosch esclarece com prazer todas as dúvidas a respeito dos nossos produtos e acessórios.

Indique em todas as questões ou encomendas de peças sobressalentes impreterivelmente a referência de 10 dígitos de acordo com a placa de características do produto.

Brasil

Robert Bosch Ltda. – Divisão de Ferramentas Elétricas
Rodovia Anhanguera, Km 98 - Parque Via Norte
13065-900, CP 1195
Campinas, São Paulo
Tel.: 0800 7045 446
www.bosch.com.br/contato

Encontre outros endereços da assistência técnica em:

www.bosch-pt.com/serviceaddresses

Transporte

As baterias de lítio incluídas estão em conformidade com os requisitos da regulamentação do transporte de mercadorias perigosas. Os baterias podem ser transportados pelo utilizador, nas vias públicas, sem mais nenhuma obrigação.

No caso de envio através de terceiros (p. ex.: transporte aéreo ou transitário) é necessário respeitar os requisitos especiais para a embalagem e identificação. Neste caso, para a preparação da embalagem é necessário consultar um perito no transporte de mercadorias perigosas.

Só enviar baterias se a carcaça não estiver danificada. Colar contatos abertos e embalar o bateria de modo que não possa se movimentar dentro da embalagem. Por favor observe também eventuais diretrizes nacionais suplementares.

Descarte

Ferramentas elétricas, baterias, acessórios e embalagens devem ser enviados a uma reciclagem ecológica de matérias primas.



Não descarte as ferramentas elétricas e as baterias/pilhas no lixo doméstico!

Baterias/pilhas:**Lítio:**

Por favor, observe as instruções na seção de transporte (ver "Transporte", Página 105).

中文**安全规章****电动工具通用安全警告**

警告！ 阅读所有警告和所有说明！不遵照以下警告和说明会导致电击、着火和 / 或严重伤害。

保存所有警告和说明书以备查阅。

在所有下列的警告中术语“电动工具”指市电驱动（有线）电动工具或电池驱动（无线）电动工具。

工作场地的安全

- ▶ **保持工作场地清洁和明亮。** 混乱和黑暗的场地会引发事故。
- ▶ **不要在易爆环境，如有易燃液体、气体或粉尘的环境下操作电动工具。** 电动工具产生的火花会点燃粉尘或气体。
- ▶ **让儿童和旁观者离开后操作电动工具。** 注意力不集中会使操作者失去对工具的控制。

电气安全

- ▶ **电动工具插头必须与插座相配。** 绝不能以任何方式改装插头。需接地的电动工具不能使用任何转换插头。未经改装的插头和相配的插座将减少电击危险。
- ▶ **避免人体接触接地表面，如管道、散热片和冰箱。** 如果你身体接地会增加电击危险。
- ▶ **不得将电动工具暴露在雨中或潮湿环境中。** 水进入电动工具将增加电击危险。
- ▶ **不得滥用电线。** 绝不能用电线搬运、拉动电动工具或拔出其插头。使电线远离热源、油、锐边或运动部件。受损或缠绕的软线会增加电击危险。
- ▶ **当在户外使用电动工具时，使用适合户外使用的外接软线。** 适合户外使用的软线将减少电击危险。
- ▶ **如果在潮湿环境下操作电动工具是不可避免的，应使用剩余电流动作保护器（RCD）。** 使用RCD可减小电击危险。

人身安全

- ▶ **保持警觉，当操作电动工具时关注所从事的操作并保持清醒。** 当你感到疲倦，或在有药物、酒精或治疗反应时，不要操作电动工具。在操作电动工具时瞬间的疏忽会导致严重人身伤害。
- ▶ **使用个人防护装置。** 始终佩戴护目镜。安全装置，诸如适当条件下使用防尘面具、防滑安全鞋、安全帽、听力防护等装置能减少人身伤害。
- ▶ **防止意外起动。** 确保开关在连接电源和/或电池盒、拿起或搬运工具时处于关断位置。手指放在已接通电源的开关上或开关处于接通时插入插头可能会导致危险。
- ▶ **在电动工具接通之前，拿掉所有调节钥匙或扳手。** 遗留在电动工具旋转零件上的扳手或钥匙会导致人身伤害。
- ▶ **手不要伸展得太长。** 时刻注意立足点和身体平衡。这样在意外情况下能很好地控制电动工具。
- ▶ **着装适当。** 不要穿宽松衣服或佩戴饰品。让衣服、手套和头发远离运动部件。宽松衣服、佩戴或长发可能会卷入运动部件中。
- ▶ **如果提供了与排屑、集尘设备连接用的装置，要确保他们连接完好且使用得当。** 使用这些装置可减少尘屑引起的危险。
- ▶ **即使由于经常使用电动工具而对此非常熟悉，也不要就认为可以高枕无忧而忽略工具的安全规定。** 粗心大意的行为可能在瞬间就造成严重的伤害。

电动工具使用和注意事项

- ▶ **不要滥用电动工具，根据用途使用适当的电动工具。** 选用适当设计的电动工具会使你工作更有效、更安全。
- ▶ **如果开关不能接通或关断工具电源，则不能使用该电动工具。** 不能用开关来控制的电动工具是危险的且必须进行修理。
- ▶ **在进行任何调节、更换附件或贮存电动工具之前，必须从电源上拔掉插头和/或使电池盒与工具脱开。** 这种防护性措施将减少工具意外起动的危险。

- ▶ 将闲置不用的电动工具贮存在儿童所及范围之外，并且不要让不熟悉电动工具或对这些说明不了解的人操作电动工具。电动工具在未经培训的用户手中是危险的。
- ▶ 保养电动工具。检查运动件是否调整到位或卡住，检查零件破损情况和影响电动工具运行的其他状况。如有损坏，电动工具应在使用前修理好。许多事故由维护不良的电动工具引发。
- ▶ 保持切削刀具锋利和清洁。保养良好的有锋利切削刃的刀具不易卡住而且容易控制。
- ▶ 按照使用说明书，考虑作业条件和进行的作业来使用电动工具、附件和工具的刀头等。将电动工具用于那些与其用途不符的操作可能会导致危险。
- ▶ 保持手柄和握持表面干燥、清洁、无油污。在突发情况下，滑溜的手柄和握持表面无法确保安全地握持和控制工具。

电池式工具使用和注意事项

- ▶ 只用制造商规定的充电器充电。将适用于某种电池盒的充电器用到其他电池盒时会发生着火危险。
- ▶ 只有在配有专用电池盒的情况下才使用电动工具。使用其他电池盒会发生损坏和着火危险。
- ▶ 当电池盒不用时，将它远离其他金属物体，例如回形针、硬币、钥匙、钉子、螺钉或其他小金属物体，以防一端与另一端连接。电池端部短路会引起燃烧或火灾。
- ▶ 在滥用条件下，液体会从电池中溅出；避免接触。如果意外碰到了，用水冲洗。如果液体碰到了眼睛，还要寻求医疗帮助。从电池中溅出的液体会发生腐蚀或燃烧。
- ▶ 不要使用损坏的或更改过的电池组或工具。损坏或更改过的电池可能导致不可预料的情况发生，有着火、爆炸或受伤的风险。
- ▶ 不要将电池组或工具暴露于火焰或高温情况下。火焰或超过130°C的温度可能会引起爆炸。
- ▶ 遵守所有充电说明，给电池组或工具充电时不要超出说明中规定的温度范围。错误充电或温度超出规定的范围可能会损坏电池并提高着火的风险。

维修

- ▶ 将你的电动工具送交专业维修人员，使用同样的备件进行修理。这样将确保所维修的电动工具的安全性。
- ▶ 决不能维修损坏的电池包。电池包仅能由生产者或其授权的维修服务商进行维修。

斜切锯安全警告

- ▶ 斜切锯用于切割木材及类似木材的产品，不得与切割砂轮一起使用而用于切割铁质材料（比如棒、杆、螺栓等）。磨屑会导致移动件（比如下部防护罩）卡住。砂轮切割产生的火花会烧坏下部防护罩、切口嵌件和其它塑料零部件。
- ▶ 尽可能使用夹箍来支撑加工件。如果用手支撑加工件，必须始终确保手与锯片的每一侧至少相距100 mm。如果加工件太小而不能稳固夹紧或用

手握住，则不要使用此锯切割。如果您的手离锯片过近，因接触锯片而导致受伤的风险就会增大。

- ▶ 加工件必须保持固定和夹紧，或紧靠栅栏和桌面。不要将加工件送入锯片或以任何方式徒手切割。未固定或可移动的加工件可能会高速抛出，从而导致受伤。
- ▶ 采用推入方式切割加工件。不要采用拉动方式。进行切割时，抬起锯头并将其拉出至加工件上方而不要进行切割，启动电机，将锯头向下压，并将锯推入加工件。如果在拉动行程切割，很可能导致锯片攀爬到加工件顶部，并将锯片总成猛烈抛向操作员。
- ▶ 切勿将手交叉放在锯片前面或后面的目标切割线上。交叉用手支撑加工件（即用左手将加工件固定在锯片右侧，或用右手将加工件固定在锯片左侧）非常危险。
- ▶ 当锯片旋转时，不要为了去除木头碎片或出于任何其它原因，而将手伸到栅栏后面距离锯片每侧小于100 mm的位置。旋转锯片与手部的距离可能不太明显，从而会导致严重受伤。
- ▶ 切割之前，先检查您的加工件。如果加工件弯曲或扭曲，则将其夹紧，使外弓面朝向栅栏。始终确保加工件、栅栏与桌面之间沿切割线处没有空隙。弯曲或扭曲的加工件会扭动或移动，可能导致切割时旋转锯片上出现粘结。加工件中不得有钉子或异物。
- ▶ 将桌面上除加工件之外的所有工具、木头碎片等清理干净之后，才可以使锯。小碎片或散乱的碎木屑或其它接触旋转锯片的物体会被高速抛出。
- ▶ 每次只能切割一个加工件。多个加工件堆叠在一起便无法充分夹紧或绷紧，可能导致切割时锯片上出现粘结或加工件移动。
- ▶ 使用之前，应确保将斜切锯安装或放置在水平、牢固的工作表面上。水平且牢固的工作表面可降低斜切锯不稳定的风险。
- ▶ 计划您的工作。每次更换斜面或斜角设置时，应确保正确设置可调栅栏以支撑加工件，并确保其不会干扰锯片或防护系统。在工具关闭并且桌面上不放置加工件的情况下，模拟锯片穿过整个切口的过程，以确保没有干扰或切到栅栏的风险。
- ▶ 加工比桌面更宽或更长的加工件时，应提供充分支撑，比如工作台延伸、锯木架等。如果支撑不牢固，比斜切锯桌面更长或更宽的加工件会倾斜。如果切割件或加工件倾斜，它会抬起下部防护罩或被旋转锯片抛出。
- ▶ 不要让另一个人代替工作台延伸或作为附加支撑。如果加工件支撑不稳定，会导致锯片出现粘结或者加工件在切割操作期间移动，从而将您及助手拉至旋转的锯片。
- ▶ 切割件不得卡住或压住旋转的锯片。如果进行限制（使用长度限制止挡），切割件会楔入锯片并猛烈抛出。
- ▶ 当对圆形材料（比如杆或管材）进行切割时，务必使用可正确支撑的夹箍或夹具。杆在切割时很

可能会滚动，导致锯片“切入”并将您手中的工件拉向锯片。

- ▶ **接触加工件之前，使锯片达到全速。**这会降低加工件抛出的风险。
- ▶ **如果加工件或锯片卡住，则关闭斜切锯。**待所有移动件都停止后，**拔下电源插头并/或拆下电池组。**然后使卡住的材料可以自由移动。继续切割卡住的加工件会导致斜切锯失控或损坏。
- ▶ **切割完成后，释放开关，保持锯头向下，待锯片停止后去除切割件。**用手接近滑转锯片非常危险。
- ▶ **进行不完全切断时，或者在锯头完全处于向下位置之前释放开关时，应紧紧握住手柄。**锯的制动操作会导致锯头突然向下拉动，存在受伤风险。
- ▶ **在锯头到达最低位置时，请勿松开手柄。**始终用手将锯头引回最高位置。如果锯头不受控制地移动，则有伤害风险。
- ▶ **工作场地应保持清洁。**材料混合特别危险。轻金属粉尘可能会起火燃烧或爆炸。
- ▶ **不可以使用已经变钝、有裂痕、弯曲或损坏的锯片。**锯片如果已经变钝了，或者锯齿变形了，会因为锯缝过小而提高锯割时的摩擦，锯片容易被夹住并造成反弹。
- ▶ **不可以使用高合金快速钢（HSS）制造的锯片。**此类锯片容易折断。
- ▶ **始终使用轴孔尺寸和形状（菱形/圆形）正确的锯片。**与台锯的安装硬件不匹配的锯片会偏离中心，造成失控。
- ▶ **如果电动工具仍在运转，不可以试着清除锯割范围内的锯屑、木屑等等。**始终先收回机臂然后再关闭电动工具。
- ▶ **工作后如果锯片尚未冷却，切勿触摸锯片。**工作时锯片会变得非常灼热。
- ▶ **如果充电电池损坏或者未按照规定使用，充电电池中会散发出有毒蒸汽。**充电电池可能会燃烧或爆炸。工作场所必须保持空气流通，如果身体有任何不适必须马上就医。蒸汽会刺激呼吸道。
- ▶ **切勿打开充电电池。**可能造成短路。
- ▶ **钉子、螺丝刀等尖锐物品或外力作用可能会损坏充电电池。**有可能出现内部短路、蓄电池燃烧、发出烟雾、爆炸或过热。
- ▶ **只能将此充电电池用在制造商的产品中。**这样才能确保充电电池不会过载。



保护充电电池免受高温（例如长期阳光照射）、火焰、脏污、水和湿气的侵害。有爆炸和短路的危险。



- ▶ **切勿掩盖了电动工具上的警示牌。**
- ▶ **本电动工具交付时带有一块激光警示牌（见表格“符号及其含义”）。**



不得将激光束指向人或动物，请勿直视激光束或反射的激光束。可能会致人炫目、引发事故或损伤眼睛。

- ▶ **如果激光束射向眼部，必须有意识地闭眼，立即从光束位置将头移开。**

- ▶ **不得使用例如望远镜或其他聚光仪器观察光源。**可能会损伤您的眼睛。
- ▶ **不得将激光束指向使用望远镜或类似聚光仪器的人。**可能会损伤眼睛。
- ▶ **请不要对激光装置进行任何更改。**您可以安全地使用本说明书中描述的设置选项。
- ▶ **激光视镜（附件）不得用作护目镜。**激光视镜用于更好地识别激光束；然而对激光束并没有防护作用。
- ▶ **激光视镜（附件）不得用作太阳镜或在道路交通中使用。**激光视镜并不能完全防护紫外线，还会干扰对色彩的感知。
- ▶ **小心 - 如果使用了与此处指定的操作或校准设备不同的设备，或执行了不同的过程方法，可能会导致危险的光束泄露。**
- ▶ **不可以使用其他类型的激光替代机器中的激光。**安装了不适合电动工具的激光可能危害他人。
- ▶ **注意！在使用有蓝牙功能的电动工具时，其他装置和设备、飞机和医疗器械（例如心脏起搏器、助听器）可能会出现故障。同样不能完全排除周围的人和动物会受到伤害。请不要在医疗设备、加油站、化工厂、有爆炸危险的地区附近和在爆破区内使用有蓝牙功能的电动工具。请勿在飞机上使用有蓝牙功能的电动工具。请避免在身体附近较长时间使用。**

蓝牙®文字标记和图形符号（标志）是Bluetooth SIG公司的注册商标和财产。Robert Bosch Power Tools GmbH根据许可可使用这些文字标记/图形符号。

图标

以下符号可以帮助您正确地使用本电动工具。请牢记各符号和它们的代表意思。正确了解各符号的代表意思，可以帮助您更有把握更安全地操作本电动工具。

图标及其含义



激光束
不要望远镜直视
激光等级1M



当电动工具运转时，切勿把手放在锯切区域内。碰到锯片会有受伤危险。



请佩戴防尘口罩。



请佩戴护目镜。

图标及其含义



请佩戴听力防护装置。工作噪音会损坏听力。



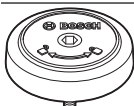
危险区域! 手掌、手指或手臂必须尽可能远离该区域。



手指不要伸入滑动臂的运动部件之间。手指可能被挤压并造成严重伤害。



注意锯片的尺寸。孔径必须无间隙地与工具主轴贴合。如果必须使用缩径套, 应注意根据锯片厚度、锯片孔径以及工具主轴直径来匹配缩径套的尺寸。尽可能使用与锯片配套的缩径套。
锯片直径必须与图标上的说明一致。



显示用于拧紧锯片的SDS销子的旋转方向(逆时针)和用于松开锯片的SDS销子的旋转方向(顺时针)。



搬运电动工具时只能握在标记的位置上(握柄槽)或握在搬运柄上。



切勿使用滑动臂的握柄提携电动工具。



对于垂直斜切角度, 必须移动或完全去除左右侧挡轨延长件。



BITURBO
BRUSHLESS

全新大功率发动机搭配 ProCORE-18V充电电池提供与有线电动工具的发动机不相上下的功率。



夹紧手柄已打开:
可以调整垂直斜切角度。

夹紧手柄已关闭:
保持调整好的滑动臂垂直斜切角度。



显示调整垂直斜切角度的各个步骤。

1. 松开夹紧手柄

图标及其含义

2. 略微向左摆动滑动臂
3. 通过旋钮调整所需的垂直斜切角度范围



通过旋钮调整垂直斜切角度范围:



锯片向左倾斜 (45度至0度)



锯片向右倾斜 (0度至45度)



滑动臂的整个摆动范围 (-47度至+47度)

产品和性能说明



请阅读所有安全规章和指示。不遵照以下警告和说明可能导致电击、着火和/或严重伤害。

请注意本使用说明书开头部分的图示。

按照规定使用

本电动工具适合以站立的方式, 在木材上进行纵向和横向的直线锯切。水平斜切角度的范围在-52度至+60度之间, 垂直斜切角度的范围在47度(左侧)至47度(右侧)之间。

本电动工具的功率适合锯切硬木和软木, 以及木屑夹板和纤维板。

安装了合适的锯片后, 也可以锯切铝制型材和塑料。

装入蓝牙® Low Energy Module **GCY 42** (低能耗模块) 后, 通过蓝牙® 无线技术在电动工具和移动终端设备之间传输电动工具的数据和设置。

插图上的机件

机件的编号和电动工具详解图上的编号一致。

- (1) 手柄
- (2) 起停开关的开机锁
- (3) 用户界面
- (4) 防护罩
- (5) 摆动防护罩
- (6) 活动式挡轨
- (7) 挡轨
- (8) 锯台延长件
- (9) 安装孔
- (10) 垫板
- (11) 锁定夹
- (12) 任意斜切角度的固定旋钮 (水平)
- (13) 斜切角度预设置杆 (水平)

- (14) 任意斜切角度的夹紧柄 (垂直)
- (15) 标准斜切角度的标记槽 (水平)
- (16) 握柄槽
- (17) 内六角扳手 (6毫米/4毫米)
- (18) 内六角扳手 (2毫米)
- (19) 螺旋夹钳
- (20) 滑轮
- (21) 右侧斜切角度范围 (0度至47度) 角度指示器 (垂直)
- (22) 导屑器
- (23) SDS销
- (24) 出屑口
- (25) 滑动机构的固定杆
- (26) 吸尘适配接头
- (27) 限深器的调整螺栓
- (28) 限深器
- (29) 激光警戒牌
- (30) 激光保护盖
- (31) 蓝牙®低能耗模块GCM 42的盖板
- (32) 充电电池^{a)}
- (33) 充电电池的解锁按钮^{a)}
- (34) 滑动臂
- (35) 运输固定装置
- (36) 斜切角度刻度尺 (垂直)
- (37) 左侧斜切角度范围 (47度至0度) 角度指示器 (垂直)
- (38) 22.5度斜切角度的调整钮 (垂直)
- (39) 长度限制器的锁定螺栓
- (40) 长度限制器
- (41) 斜切角度刻度尺 (水平)
- (42) 锯台
- (43) 调整斜切角度范围 (垂直) 的旋钮
- (44) 锯片
- (45) 激光束发射口
- (46) 充电电池电量显示 (用户界面)
- (47) ECO模式指示灯 (用户界面)
- (48) 转速预选按键 (用户界面)
- (49) 转速等级/模式指示灯 (用户界面)
- (50) 智能手机指示灯 (用户界面)
- (51) 电动工具状态指示灯 (用户界面)
- (52) 温度指示灯 (用户界面)
- (53) 主轴锁
- (54) 固定锯片的内六角螺栓
- (55) 夹紧法兰
- (56) 内夹紧法兰
- (57) 锯台延长件夹紧杆
- (58) 活动式挡轨的锁定螺栓
- (59) 减震器
- (60) 减震器调节螺栓
- (61) 螺旋夹钳安装孔
- (62) 翼形螺栓
- (63) 螺杆
- (64) 斜切角度的角度指示器 (水平)
- (65) 起停开关
- (66) 垫板的固定螺栓
- (67) 长度限制器的夹紧螺栓
- (68) 激光定位调整螺栓 (齐平度)
- (69) 基本设定0度 (垂直斜切角度) 的调整螺栓 /
- (70) /
- (71) /
- (72) 基本设定45度 (左侧垂直斜切角度) 的调整螺栓
- (73) 基本设定45度 (右侧垂直斜切角度) 的调整螺栓
- (74) 斜切角度刻度尺调整螺栓 (水平)
- (75) 角度指示器螺栓 (水平)
- (76) 任意斜切角度 (垂直) 夹紧手柄夹紧力调整螺栓

a) 图表或说明上提到的附件，并不包含在基本的供货范围中。本公司的附件清单中有完整的附件供应项目。

技术参数

斜断锯		GCM 18V-305 GDC
物品代码		3 601 M43 0..
额定电压	V=	18
空载转速 ^{A)}	转/分钟	3000-4000
ECO模式下的空载转速 ^{A)}	转/分钟	2550
激光种类	纳米	650
	毫瓦	< 1
激光等级		1M
激光线散度	毫弧度 (全角)	1.0
重量符合EPTA-Procedure 01:2014 ^{B)}	千克	26.9-27.8
充电时建议的环境温度	摄氏度	0 ... +35
工作时允许的环境温度 ^{C)} 时和存放时功率受限	摄氏度	-20 ... +50
建议使用的充电电池		GBA 18V... ProCORE18V...
推荐的充电器		GAL 18... GAX 18... GAL 36...
数据传输		
蓝牙®		蓝牙® 4.2 (低能耗) ^{D)}

斜断锯		GCM 18V-305 GDC
信号间隔	秒	8
信号最大作用距离 ^{E)}	米	30
合适锯片的尺寸		
锯片直径	毫米	305
锯片主体的厚度	毫米	1.7-2.6
最大切割宽度	毫米	3.2
固定孔直径	毫米	30

- A) 在20-25摄氏度的条件下带充电电池**ProCORE18V 8.0Ah**测得
- B) 视所使用的充电电池而定
- C) 温度<0 摄氏度时功率受限
- D) 移动终端设备必须可与**蓝牙®**低能耗装置(版本4.2)兼容并支持通用访问配置(GAP)。
- E) 根据外部条件包括所用接收设备的不同,覆盖范围会有很大差别。在封闭的室内以及由于金属障碍物(如墙壁、衣架、箱子等),**蓝牙®**覆盖范围可能明显缩小。许可的工作尺寸(最大/最小):(参见“许可的工作尺寸”,页115)

安装

- ▶ 在电动工具上进行任何维护的工作(例如维修,更换工具等等),以及搬运、保存电动工具之前都必须从机器中取出蓄电池。无意间操作开关可能会造成伤害。

供货范围



为此请注意操作说明书开头显示的供货范围。

电动工具初次投入运行前请检查下列零件是否均配套提供:

- 已经安装好锯片(44)的斜断锯
- 固定旋钮(12)
- 内六角扳手(17)
- 内六角扳手(18)
- 螺旋夹钳(19)
- SDS销(23)
- 集尘袋

提示: 检查电动工具是否有损坏之处。

使用电动工具之前,必须详细检查防护装置或轻微损坏的零件是否仍然运作正常。检查活动性零件是否功能正常不会被夹住,以及该零件有否受损。所有的零件都必须安装正确,并且符合规定以确保机器的正常功能。

损坏的防护装置和零件必须按照规定交给合格的专业修理厂修理或更换。

除了供货范围中的部件之外,您还须使用以下的工具:

- 十字螺栓起子
- 开口扳手(尺寸:8毫米)

- 环形扳手、开口扳手或套筒扳手(尺寸:10毫米和17毫米)

激活**蓝牙®**低能耗模块GKY 42

有关**蓝牙®**Low Energy Module(低能耗模块)**GKY 42**的信息请见相应的使用说明。

激活纽扣电池

- 拆下**蓝牙®**低能耗模块**GKY 42**的盖板(31)。
- 拆下纽扣电池和**蓝牙®**低能耗模块**GKY 42**之间的绝缘件。
- 关闭盖板(31),以免污物进入。
- ▶ 利用螺丝刀或大一点的硬币拆下电动工具上**蓝牙®**低能耗模块**GKY 42**的盖板。使用不合适的物体可能会导致电子装置或盖板损坏。

为充电电池充电

- ▶ 请只使用在技术参数中列出的充电器。只有这些充电器才适用于本电动工具上的锂离子电池。

提示: 充电电池在交货时只完成部分充电。首度使用电动工具之前,必须先充足充电电池的电量以确保充电电池的功率。

可以随时为锂离子电池充电,不会缩短电池的使用寿命。如果充电过程突然中断,也不会损坏电池。本锂离子电池配备了电池电子保护装置“Electronic Cell Protection (ECP)”,可以防止电池过度放电。电池的电量如果用尽了,保护开关会自动关闭电动工具;安装在机器上的工具刀头会停止转动。

- ▶ 电动工具被关闭之后,切勿继续按住起停开关。否则可能会损坏电池。

请注意有关作废处理的规定。

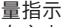
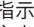
取出充电电池

本充电电池(32)具备双重锁定功能,即使不小心触动了充电电池的解锁按钮(33),充电电池也不会从机器中掉落下来。只要充电电池安装在电动工具中,就会被弹簧固定在其位置上。

如需取下电池,则请按压解锁按钮,并将电池从电动工具中拔出。在此过程中请勿过度用力。

充电电池电量指示灯

充电电池电量指示灯的绿色LED灯显示充电电池的电量。基于安全原因,只能在电动工具静止时检查充电电池的电量。

按压充电电量指示灯按钮或,来显示充电电量。也可以在充电电池取下时操作。

如果按压充电电量指示灯按钮后没有LED灯亮起,则说明充电电池损坏,必须进行更换。

提示: 用户界面(3)上也会显示充电电池的电量。

充电电池型号GBA 18V...



LED指示灯	电量
3个绿灯常亮	60-100 %

LED指示灯	电量
2个绿灯常亮	30-60 %
1个绿灯常亮	5-30 %
1个绿灯闪烁	0-5 %

充电电池型号ProCORE18V...



LED指示灯	电量
5个绿灯常亮	80-100 %
4个绿灯常亮	60-80 %
3个绿灯常亮	40-60 %
2个绿灯常亮	20-40 %
1个绿灯常亮	5-20 %
1个绿灯闪烁	0-5 %

安装各部件

- 小心地从包装中取出所有的供货物品。
- 拆除电动工具和附带附件上的所有包装材料。

安装固定旋钮 (参见插图a)

- 将固定旋钮(12)旋入杆(13)上方相应的孔中。
- ▶ **锯切前务必拧紧固定旋钮(12)。** 否则锯片可能在工件中倾斜。

固定或活动的安装方式

- ▶ **为了能够稳定地操作机器，正式使用之前，必须将电动工具固定在平坦、稳固的工作平面上 (例如工作台)。**

安装在工作面上 (参见插图b1)

- 使用合适的螺栓连接将电动工具固定在工作面上。为此需要钻孔(9)。

或

- 使用市售螺旋夹钳将电动工具的支撑脚夹紧在工作面上。

安装在博世工作台上 (参见插图b2)

(GTA 2500 W、GTA 2500 Compact、GTA 2600、GTA 3800)

博世的GTA工作台有可调整高度的桌脚，使电动工具能够站立在任何底面上。工作台的工件托架用于支撑住比较长的工件。

- ▶ **阅读工作台附带的所有警告提示和说明。** 如果不遵守警告提示和说明，可能会导致触电、火灾和/或严重受伤的后果。
- ▶ **安装电动工具之前必须先正确地组装工作台。** 正确组装工作台非常重要，这样可以避免工作台倒塌。
- 将电动工具以运输位置安装在工作台上。

吸锯尘/吸锯屑

含铅的颜料以及某些木材、矿物和金属的加工废尘有害健康。机器操作者或者工地附近的人如果接触、吸入这些废尘，可能会有过敏反应或者感染呼吸道疾病。

某些尘埃 (例如加工橡木或山毛榉的废尘) 可能致癌，特别是和处理木材的添加剂 (例如木材的防腐剂等) 结合之后。只有经过专业培训的人才能够加工含石棉的物料。

- 尽可能使用适合物料的吸尘装置。
- 工作场所要保持空气流通。
- 最好佩戴P2滤网等级的口罩。

请留心并遵守贵国和加工物料有关的法规。

- ▶ **避免让工作场所堆积过多的尘垢。** 尘垢容易被点燃。

尘/屑收集装置可能因为废尘、废屑或工件的残屑而造成堵塞。

- 关闭电动工具并取出充电电池。
- 静候让锯片完全停止转动。
- 找出造成阻塞的原因，并且排除障碍。

外部集尘

集尘时，可以将集尘器软管 (直径35毫米) 连接到吸尘适配接头(26)上。

- 将集尘器软管与吸尘适配接头(26)连接到一起。

根据工件的物料选择合适的集尘装置。

抽吸可能危害健康、可能导致癌症或干燥的废尘时，务必使用特殊的集尘装置。

清洁吸尘适配接头

为确保最佳的集尘效果，必须定期清洁吸尘适配接头(26)。

- 将吸尘适配接头(26)旋转着从锯屑排口(24)中拉下。
- 清除工件的碎块和锯屑。
- 重新将吸尘适配接头旋转着压入锯屑排口，直到其越过锯屑排口的支撑环并卡牢。

更换锯片

- ▶ **在电动工具上进行任何维护的工作 (例如维修，更换工具等等)，以及搬运、保存电动工具之前都必须从机器中取出蓄电池。** 无意间操作开关可能会造成伤害。

- ▶ **安装锯片时务必穿戴防护手套。** 手如果接触锯片可能被划伤。

所使用的锯片的最高许可转速必须高于电动工具的无负载转速。

根据本说明书中提出的技术数据选择合适的锯片。必须选用通过EN 847-1认证而且标示了此认证的锯片。

只能使用由本电动工具制造商所推荐的锯片，以及适合加工物料的锯片。这可防止锯切时锯齿过热。

用内六角螺栓安装 (参见插图c1-c4)

拆卸锯片

- 将电动工具调整在工作位置上。
- 将摆动防护罩(5)向后翻，并将其保持在该位置。

- 用内六角扳手（4毫米）(17)转动内六角螺栓(54)，同时按下主轴锁(53)，直到卡紧。
- 按住主轴锁(53)并顺时针拧出内六角螺栓(54)（左螺纹！）。
- 取下夹紧法兰(55)。
- 取下锯片(44)。
- 重新慢慢放下摆动防护罩。

安装锯片

► **安装时请注意**，锯齿的锯切方向（锯片上的箭头方向）必须和防护罩上的箭头方向一致！

必要的话，在安装之前清洁所有的零部件。

- 将摆动防护罩(5)向后翻，并将其保持在该位置。
- 将新锯片放到内夹紧法兰(56)上。
- 装上夹紧法兰(55)和内六角螺栓(54)。按压主轴锁(53)，直至卡止，然后逆时针拧紧内六角螺栓。
- 重新慢慢放下摆动防护罩。

用SDS销子安装（参见插图d）

► **在垂直斜切和使用SDS销(23)的情况下，在开始锯切前必须通过适当调整限深器(28)来确保SDS销永远不会接触到工件表面。**这样可以避免SDS销和/或工件损坏。

拆卸锯片

- 将电动工具调整在工作位置上。
- 将摆动防护罩(5)向后翻，并将其保持在该位置。
- 转动SDS螺栓(23)，同时按压主轴锁(53)，直至其卡止。
- 按住主轴锁(53)并顺时针拧出SDS销子(23)（左螺纹！）。
- 取下夹紧法兰(55)。
- 取下锯片(44)。
- 重新慢慢放下摆动防护罩。

安装锯片

► **安装时请注意**，锯齿的锯切方向（锯片上的箭头方向）必须和防护罩上的箭头方向一致！

必要的话，在安装之前清洁所有的零部件。

- 将摆动防护罩(5)向后翻，并将其保持在该位置。
- 将新锯片放到内夹紧法兰(56)上。
- 装上夹紧法兰(55)和SDS销子(23)。按压主轴锁(53)，直至卡止，然后逆时针拧紧SDS销子。
- 重新慢慢放下摆动防护罩。

运行

► **在电动工具上进行任何维护的工作（例如维修，更换工具等等），以及搬运、保存电动工具之前都必须从机器中取出蓄电池。**无意间操作开关可能会造成伤害。

运输固定装置（参见插图A）

运输固定装置(35)方便您将电动工具运输到不同的安装位置。

锯切水平和/或垂直斜切角度时，必须根据切割方向向外拉动或完全取下左右侧的活动式挡轨(6)。

松开电动工具的锁定（工作位置）

- 通过手柄(1)略微向下按压滑动臂(34)，以松开运输固定装置(35)。
- 向外完全拉出运输固定装置(35)。
- 慢慢地向上提起滑动臂(34)。

锁定电动工具（运输位置）

- 将滑动臂(34)向后推到底并将其固定在该位置。
- 尽可能地向下移动滑动臂，直至运输固定装置(35)可以向内压到底。

其他提示：（参见“运输（参见插图Z）”，页117）

锁定滑动臂

滑动臂(34)的滑动机构可以通过夹紧杆(25)来锁定。滑动臂可以固定在两个位置：

- 滑动臂向后推到末端（为了锯削）
- 滑动臂向前拉到底（为了紧凑的运输位置）

解开滑动臂的锁定（参见插图B1）

解开滑动臂(34)的锁定后，整个滑动机构都可以使用。

- 将夹紧杆(25)向下推压到底。
- 此时夹紧楔便会放开滑动臂上的两个下部铰接件。

锁定滑动臂（参见插图B2）

滑动臂向后推到底：

- 将滑动臂(34)向后推到底。
- 此时滑动臂的两个上部铰接件会竖立起来并且会被关闭。
- 向上拉起夹紧杆(25)，至夹紧楔正确地定位在滑动臂的两个下部铰接件之间。
- 此时便能够锁定被向后推到底的滑动臂(34)。

滑动臂向前拉到底：

- 将滑动臂(34)向前拉到底。
- 此时滑动机构会完全被抽出。
- 向上拉起夹紧杆(25)，至夹紧楔正确地定位在滑动臂的两个下部铰接件之间。
- 此时便能够锁定被向前推到底的滑动臂(34)。

准备工作

加长锯台（参见插图C）

长工件的末端不可以悬空，必须做好支撑工作。

借助锯台延长件(8)可以向左右加大锯台。

- 将夹紧杆(57)向内翻。
- 向外拉动锯台延长件(8)，直至达到所需的长度（最大250毫米）。
- 固定锯台延长件时，请再次向外按压夹紧杆(57)。

移动挡轨（参见插图D-E）

垂直斜切角度	水平斜切角度	
0度-47度 (左侧)	≤ 44度 (左侧/右侧)	- 松开锁定螺栓(58)。 - 向外完全拉出左侧活动式挡轨(6)。
0度-47度 (左侧)	≥ 45度 (左侧/右侧)	- 松开锁定螺栓(58)。 - 向外完全拉出左侧活动式挡轨(6)。 - 向上提起活动式挡轨。 - 取下锁定螺栓(58)。
0度-47度 (右侧)	≤ 44度 (左侧/右侧)	- 松开锁定螺栓(58)。 - 向外完全拉出右侧活动式挡轨(6)。
0度-47度 (右侧)	≥ 45度 (左侧/右侧)	- 向上提起活动式挡轨。

调整滑动臂的减震功能 (参见插图F)

滑动臂(34)的滑动机构在出厂前就已预设好, 交付电动工具时未减震。

您可以使用减震器(59)来调整滑动臂的减震功能:

硬 - 稳定地操作动作;

软 - 快速地锯切。

- 用内六角扳手(4毫米)(17)松开两个调整螺栓(60), 可获得更软的减震效果
- 或
- 将两个调整螺栓(60)再拧紧一些, 可以获得更硬的减震效果。

固定工件 (参见插图G)

为了确保最佳工作安全性, 务必固定好工件。不要加工太小而无法固定的工件。

- 把工件紧紧地顶在挡轨(7)和(6)上。
- 将随附的螺旋夹钳(19)插到规定的孔(61)中。
- 拧松翼形螺栓(61), 根据工件调整螺栓夹钳。重新拧紧翼形螺栓。
- 拧紧螺杆(63), 从而固定住工件。

放松工件

- 逆时针旋转螺杆(63), 以便松开螺栓夹钳。

调整水平斜切角度

调整水平标准斜切角度 (参见插图H)

锯台上设有标记槽(15), 以便快速精确地调整经常使用的水平斜切角度:

左	右
0°	
45°; 31.6°; 22.5°; 15°	15°; 22.5°; 31.6°; 45°; 60°

- 如果固定旋钮(12)被拧紧了, 请先松开。
- 拉动杆(13), 向左或向右转动锯台(42), 直至达到所需的标记槽。
- 重新松开杆。杆必须正确地陷入标记槽中。
- 再次拧紧固定旋钮(12)。

设定任意水平斜切角度 (参见插图I)

水平斜切角度的调整范围在52° (左侧) 和60° (右侧) 之间。

- 如果固定旋钮(12)被拧紧了, 请先松开。

- 拉动杆(13), 同时按压锁定夹(11), 直至卡入规定的凹槽中。这样锯台就能自由移动。
- 通过固定旋钮向左或向右转动锯台(42), 直至角度指示器(64)指在需要的水平斜切角度上。
- 再次拧紧固定旋钮(12)。
- 要重新松开杆(13) (为了调整水平标准斜角尺), 将杆向上拉。
- 锁定夹(11)跳回初始位置, 杆(13)可以重新卡入标记槽(15)。

设定垂直斜切角度

垂直斜切角度的调整范围在47° (左侧) 和47° (右侧) 之间。

为了能够快速且精准地设定经常使用的垂直斜切角度, 在0°、22.5°、45°和47°上有限制器。

调整左侧垂直斜切角度范围 (45°至0°)

L

- 向外完全拉出左侧活动式挡轨(6)。
- 松开夹紧手柄(14)。
- 握着手柄(1)将滑动臂(34)向左摆动, 直至角度指示器(37)指在需要的垂直斜切角度上。
- 让滑动臂(34)保持在这个位置, 并重新拧紧夹紧手柄(14)。
- 不管是设定在哪一个垂直的斜切角度上, 固定提杆的夹紧力必须能够紧紧地固定好滑动臂。

调整右侧垂直斜切角度范围 (0度至45度) (参见插图J)

45°R

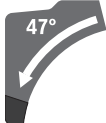
- 向外完全拉出右侧活动式挡轨(6)。
- 松开夹紧手柄(14)。
- 握着手柄(1)使滑动臂(34)离开0度位置略微向左倾斜, 转动旋钮(43), 直至显示所需的垂直斜切角度范围。
- 握着手柄(1)将滑动臂(34)向右摆动, 直至角度指示器(21)指在需要的斜切角度上。
- 让滑动臂(34)保持在这个位置, 并重新拧紧夹紧手柄(14)。
- 不管是设定在哪一个垂直的斜切角度上, 固定提杆的夹紧力必须能够紧紧地固定好滑动臂。

将垂直标准斜切角度调到0°

为了能够再次将垂直标准斜切角度轻松调整到0°，请将旋钮(43)卡入左侧垂直斜切角度范围。

- 将滑动臂(34)向右摆动，越过0°位置。

调整整个垂直斜切角度范围 (-47°至+47°)



- 向外完全拉出两个活动式挡轨(6)。
- 松开夹紧手柄(14)。
- 握住手柄(1)使滑动臂(34)离开0度位置略微向左倾斜，转动旋钮(43)，直至显示所需的垂直斜切角度范围。
- 握住手柄(1)将滑动臂(34)向左或向右摆动，直至角度指示器(37)或(21)指在需要的垂直斜切角度上。
- 让滑动臂(34)保持在这个位置，并重新拧紧夹紧手柄(14)。
不管是设定在哪一个垂直的斜切角度上，固定提杆的夹紧力必须能够紧紧地固定好滑动臂。

将垂直标准斜切角度调到22.5° (参见插图K)

将调整按钮(38)向外完全拉出并旋转90°。然后，握住手柄(1)摆动滑动臂(34)，直至听到滑动臂的卡止声。

设定水平和垂直斜切角度

投入使用

安装充电电池

- ▶ 只能使用Bosch原厂的锂离子充电电池，电池电压必须和机器铭牌上规定的电压一致。使用其他充电电池会发生损坏并有着火危险。
- 将充好电的充电电池(32)推入电动工具的电池仓中，直至充电电池牢牢锁定。

接通 (参见插图L)

- 接通电动工具时，首先将开机锁(2)推到中间，然后按压电源开关(65)并按住。

提示：基于安全的顾虑，电源开关(65)无法被锁定。所以操作机器时必须持续地按住开关。

关机

- 关闭时，请松开电源开关(65)。

ECO模式

当电动工具以节能的ECO模式运行时，充电电池的使用时间最多可延长20%。

当ECO模式激活时，转速等级/模式显示(49)中出现符号E。另外ECO模式指示灯(47)亮起。

用户界面

用户界面(3)用于预选转速和电动工具的状态显示。

转速预选

已预设Eco模式和3个转速等级。

利用转速预选键(48)也可以在运行过程中预选所需的转速。

转速等级	转速[转/分钟]
Eco	2550
1	3000
2	3500
3	4000

状态显示

充电电池电量显示 (用户界面) (46)	含义/原因	解决方案
绿色 (2至5格)	充电电池已充电	-
黄色 (1格)	充电电池的电量几乎耗尽	尽快更换充电电池或为其充电
红色 (1格)	充电电池的电量用尽了	更换充电电池或为其充电
温度显示(52)	含义/原因	解决方案
黄色	已达到临界温度 (电机、电子系统、充电电池)	让电动工具空转、冷却
红色	电动工具过热并关闭	让电动工具冷却
智能手机显示(50)和电动工具状态显示(51)	含义/原因	解决方案
黄色	服务提醒	更多信息参见Bosch Toolbox App或委托服务人员进行操作

电动工具状态显示(51)	含义/原因	解决方案
绿色	状态正常	-
黄色	已达到临界温度或充电电池的电量几乎耗尽	让电动工具空转、冷却或尽快更换充电电池或为其充电
红色	电动工具过热或充电电池电量耗尽	让电动工具冷却或更换充电电池或为其充电
以红光闪烁	重启保护已触发	关闭电动工具并再次接通，必要时取出充电电池并再次装入。

连接功能

搭配 蓝牙®低能耗模块GCY 42，可为电动工具提供以下连接功能：

- 注册和个性化设置
- 状态检查，警告信息输出
- 通用信息和设置
- 管理
- 设置转速级

有关 蓝牙®Low Energy Module (低能耗模块)

GCY 42的信息请见相应的使用说明。

当电动工具借助 蓝牙®无线技术向某个移动终端设备发送一条信息（例如温度警告）时，智能手机指示灯(50)亮起。

工作提示

一般性的锯切提示

- ▶ **锯切之前务必拧紧固定旋钮(12)和夹紧手柄(14)。** 否则锯片可能在工件中倾斜。
- ▶ **锯切之前务必拧紧固定旋钮(12)和夹紧杆。** 否则锯片可能在工件中倾斜。
- ▶ **进行任何锯切之前，必须先确定锯片不会接触挡轨、螺旋夹钳或其它的机件。必要时得拆除辅助挡块，或者适度调整辅助挡块。**
- ▶ **装入了 Bluetooth® (蓝牙) 低能耗模块GCY 42 的电动工具配有一个无线接口。必须注意本地运行限制，例如在飞机上或医院里。**
- ▶ **在不允许使用 Bluetooth® (蓝牙) 无线技术的区域内，必须取出 蓝牙®低能耗模块GCY 42和纽扣电池。**

如果工件又长又重，必须在它悬空的末端放上衬垫或做好支撑。

不可以加工变形的工件。工件必须有一道笔直的边，这样才能够紧紧靠在挡轨上。

仅锯切已批准使用的材料。

保护锯片免受冲撞和敲击。不可以侧压锯片。

检查摆动防护罩的功能是否正常，能否自由移动。向下移动机臂时，必须打开摆动防护罩。向上移动机臂时，必须关闭锯片上方的摆动防护罩并卡在机臂最上方的位置。

标记锯切线 (参见插图 M)

两道激光为您标示了锯片的锯切线。这样您可以准确地放置好即将锯切的工件，而无需打开摆动防护罩。

- 短促点击电源开关(65)，不要按压机锁(2)，以此来接通激光束。

- 工件上的记号要画在两道激光线之间。

提示：锯切前请检查显示的切线是否正确(参见“校准激光”，页 116)。在密集使用机器之后，激光可能会因为震动而出现偏差。

操作者的位置 (参见插图N)

- ▶ **不要和电动工具前的锯片站在一条线上，而是要站在锯片的侧面。** 这样可以避免工具回跳而伤到身体。
- 手掌、手指和手臂必须远离转动中的锯片。
- 不要在机臂前交叉双手。

更换垫板 (参见插图O)

长期使用电动工具之后，衬板(10)会磨损。

更换损坏的垫板。

- 将电动工具调整在工作位置上。
- 用内六角扳手(18)拧出螺栓(66)，然后取下旧衬板。
- 放上新的右侧垫板。
- 用螺栓(66)尽可能地向右拧紧垫板，使锯片在整个可能的拉动长度上不与垫板接触。
- 采取相同的步骤安装新的左侧垫板。

许可的工件尺寸

水平斜切角度	垂直斜切角度	高 x 宽 [毫米]
0度	0度	104 x 341 45 x 400 ^{A)} 120 x 200 ^{B)} 180 x 40
45度 (左侧)	0度	104 x 240 180 x 20
0度	45度 (左侧)	60 x 341
0度	45度 (右侧)	40 x 341
45度	45度 (左侧)	60 x 240
45度	45度 (右侧)	40 x 240

A) 带水平定距挡块 (高 x 宽: 60毫米 x 400毫米)

B) 带垂直定距挡块 (高 x 宽: 72毫米 x 50毫米)

最小工件 (= 所有可以通过螺旋夹钳(19)夹紧在锯片左侧或右侧的工件)：160毫米 x 35毫米 (长 x 宽)

最大切削深度 (0度/0度)：120毫米

锯切

无拉动锯切（砍锯）（参见插图P）

- 将滑动臂(34)向后推到底并将其固定在该位置。确保限深器(28)已向内压到底并通过开口调节调整螺栓(27)，使滑动臂在移动时不会碰到限深器。
- 根据尺寸正确地夹紧工件。
- 必要时，请设定好需要的斜切角度（水平和/或垂直）。
- 接通电动工具的电源。
- 通过手柄(1)缓慢向下移动滑动臂(34)。
- 施力均匀地锯切工件。
- 关闭电动工具并等待，直至锯片完全停止转动。
- 慢慢地向上提起滑动臂(34)。

带拉动的锯切（参见插图Q）

- ▶ **开机之前以及在整个锯割过程都得牢牢地握紧手柄。锯割时要控制好滑动臂。** 只要一时分神，便可能接触暴露在外的滑动臂进而造成伤害。
- 解开滑动臂(34)的锁定。通过来回推拉滑动臂(34)来检查整个滑动机构是否可用。
- 根据尺寸正确地夹紧工件。
- 必要时，请设定好需要的斜切角度（水平和/或垂直）。
- 通过手柄(1)将滑动臂(34)拉离挡轨(7)，直至锯片位于工件的前方。
- 接通电动工具的电源。
- 通过手柄(1)缓慢向下移动滑动臂(34)。
- 现在把滑动臂(34)推向挡轨(7)方向，然后施力均匀地锯切工件。
- 关闭电动工具并等待，直至锯片完全停止转动。
- 慢慢地向上提起滑动臂(34)。

锯切等长的工件（参见插图R）

简单锯切等长工件时，可以使用长度限制器(40)（附件）。

可以将长度限制器安装在锯台延长件(8)的两侧。

- 松开锁定螺栓(39)，通过夹紧螺栓(67)合起长度挡块(40)。
- 重新拧紧锁定螺栓(39)。
- 将锯台延长件(8)调整到所需的长度。

调整限深器（切槽）（参见插图S）

锯切凹槽或使用定距挡块时则必须调整限深器。

- 向外翻出限深器(28)。
- 通过手柄(1)将滑动臂(34)摆动到所需的位置。
- 转动调整螺栓(27)，直至螺栓末端接触到限深器(28)。
- 慢慢地向上提起滑动臂(34)。

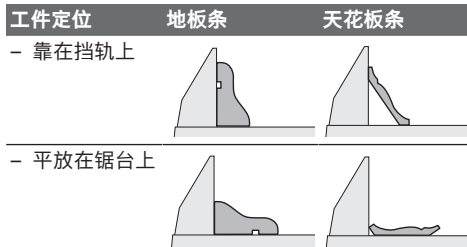
特殊工件

锯切弯曲或圆形工件时，必须特别加强固定好工作，以防工件打滑。在锯切线上，工件、挡轨和锯台之间不允许有空隙。

必要时，必须制造专用支架。

加工雕刻的木条

可以使用以下两种不同的方式加工条状型材：



接下来可以根据条状型材的宽度，选择带或不带拉动的锯割方式。

务必先在废木上测试设定好的斜切角度（水平和/或垂直）。

检查和调整基本设定

为了确保精确的锯切，在频繁使用之后必须检查电动工具的基本设定，必要时进行适度调整。检查时不仅要有足够的经验，而且还要使用特殊工具。

博世的客户服务中心能够快速可靠地执行这项工作。

校准激光

提示：要测试激光功能，必须将电动工具连接到电源上。

▶ **校准激光时（例如移动机臂时），千万不要按下电源开关。** 无意中启动电动工具可能会造成伤害。

- 将电动工具调整在工作位置上。
- 转动锯台(42)，直至达到0度对应的标记槽(15)。必须可以感觉到杆(13)卡入标记槽中。

检查（参见插图T1）

- 在工件上画一条直线。
- 通过手柄(1)缓慢向下移动滑动臂(34)。
- 调整工件，让锯片上的锯齿靠在锯切线上。
- 握住工件让它保持在这个位置，并重新慢慢地向上提起滑动臂。
- 固定好工件。
- 利用开关接通激光束。

即使在放下滑动臂时，投射在工件上锯切线两侧的激光束必须和整段锯切线等距平行。

调整（参见插图T2）

1. 调整右侧激光束：

- 用内六角扳手(18)旋转右侧调整螺栓(68)，直至右侧激光束在整个长度上与工件上标记的锯切线齐平。
- 同时移动左侧激光束。

逆时针方向转动会使激光束从左向右移动，顺时针方向转动会使激光束从右向左移动。

2. 调整左侧激光束：

- 用内六角扳手(18)旋转左侧调整螺栓(68)，直至左侧激光束至工件上所标记锯切线的距离与右侧激光束至锯切线的距离相同。

逆时针方向转动会使激光束从左向右移动，顺着时钟方向转动会使激光束从右向左移动。

将垂直标准斜切角度调到0°

- 将电动工具调整在运输位置上。
- 转动锯台(42)，直至达到0°对应的标记槽(15)。必须可以感觉到杆(13)卡入标记槽中。

检查 (参见插图U1)

- 将角规调整到90°并将其放到锯台(42)上。角规的支脚必须与锯片(44)在整个长度上齐平。

调整 (参见插图U2)

- 松开夹紧手柄(14)。
- 使用套筒扳手(10毫米)拧松两个调整螺栓(69)(至少1圈)。
- 用内六角扳手(4毫米)(17)拧松调整螺栓(71)(约3圈)。
- 用内六角扳手(4毫米)(17)尽可能地拧入或拧出调整螺栓(70)，直到角规的支脚和锯片在整个长度上齐平。
- 重新拧紧夹紧手柄(14)。接着先拧紧调整螺栓(71)，然后再重新拧紧调整螺栓(69)。

如果角度指示器(37)和(21)在调整后未指向刻度尺(36)的0°标记线，请用十字螺钉刀松开固定螺栓并沿着0°标记校准角度指示器。

将垂直标准斜切角度调到45° (左侧)

- 将电动工具调整在工作位置上。
- 转动锯台(42)，直至达到0°对应的标记槽(15)。必须可以感觉到杆(13)卡入标记槽中。
- 向外完全拉出左侧活动式挡轨(6)。
- 松开夹紧手柄(14)并通过手柄(1)将滑动臂向左翻到极限位置(45°)。

检查 (参见插图V1)

- 将角规调整到45°并将其放到锯台(42)上。角规的支脚必须与锯片(44)在整个长度上齐平。

调整 (参见插图V2)

- 用开口扳手(8毫米)尽可能地拧入或拧出调整螺栓(72)，直到角规的支脚和锯片在整个长度上齐平。
- 重新拧紧夹紧手柄(14)。

如果角度指示器(37)和(21)在调整后未指向刻度尺(36)的45°标记线，首先请再次检查垂直斜切角度的0°设置和角度指示器。然后重复设定45°垂直斜切角度。

将垂直标准斜切角度调到45° (右侧)

- 将电动工具调整在工作位置上。
- 转动锯台(42)，直至达到0°对应的标记槽(15)。必须可以感觉到杆(13)卡入标记槽中。
- 向外完全拉出右侧活动式挡轨(6)。
- 松开夹紧手柄(14)。
- 通过手柄(1)使滑动臂离开0°位置略微向左倾斜，转动旋钮(43)，直至显示右侧垂直斜切角度范围。
- 通过手柄(1)将滑动臂向右翻到极限位置(45°)。

检查 (参见插图W1)

- 将角规调整到135°并将其放到锯台(42)上。角规的支脚必须与锯片(44)在整个长度上齐平。

调整 (参见插图W2)

- 用开口扳手(8毫米)尽可能地拧入或拧出调整螺栓(73)，直到角规的支脚和锯片在整个长度上齐平。
- 重新拧紧夹紧手柄(14)。

如果角度指示器(37)和(21)在调整后未指向刻度尺(36)的45°标记线，首先请再次检查垂直斜切角度的0°设置和角度指示器。然后重复设定45°垂直斜切角度。

对准水平斜切角度的刻度尺

- 将电动工具调整在工作位置上。
- 转动锯台(42)，直至达到0°对应的标记槽(15)。必须可以感觉到杆(13)卡入标记槽中。

检查 (参见插图X1)

- 将角规调节到90°并在锯台(42)上将其放到挡轨(7)和锯片(44)之间。

角规的支脚必须与锯片(44)在整个长度上齐平。

调整 (参见插图X2)

- 用内六角扳手(4毫米)(17)松开所有四个调整螺栓(74)，转动锯台(42)和刻度尺(41)，直至角规的支脚和锯片在整个长度上齐平。
- 重新拧紧螺栓。

如果角度指示器(64)在调整后未指向刻度尺(41)的0度标记线，请用十字螺钉刀松开螺栓(75)并沿着0度标记校准角度指示器。

调整夹紧手柄(14)的夹紧力 (参见插图Y)

夹紧手柄(14)的夹紧力可以重新调节。

检查

- 不管是设定在哪一个垂直的斜切角度上，固定提杆的夹紧力必须能够紧紧地固定好滑动臂。

调整

- 松开夹紧手柄(14)。
- 用套筒扳手(17毫米)逆时针转动调整螺栓(76)可降低夹紧力，顺时针转动则提高夹紧力。
- 调整垂直斜切角度，再次拧紧夹紧手柄(14)并检查是否已达到所需的夹紧力。

运输 (参见插图Z)

运输电动工具之前必须先执行以下各步骤：

- 将滑动臂(34)向后推到底并将其固定在该位置。
- 确保限深器(28)已向内压到底并通过开口调节调整螺栓(27)，使滑动臂在移动时不会碰到限深器。
- 尽可能地向下移动滑动臂，直至将运输固定装置(35)能向内压到底。
- 将锯台延长件(8)向内推到底。
- 将垂直斜切角度调整到0度并拧紧夹紧手柄(14)。
- 将锯台(42)旋转至极限位置并拧紧固定旋钮(12)。
- 拆除所有无法固定安装在电动工具上的附件。

- 运输时必须尽可能把不使用的锯片放置在封闭的盒子中。
- 运输时，请握住锯台侧面的握柄槽(16)。
- ▶ **运输电动工具时只能使用运输装置，不要使用防护装置、滑动臂或手柄。**

保养和维修

保养和清洁

- ▶ **在电动工具上进行任何维护的工作（例如维修，更换工具等等），以及搬运、保存电动工具之前都必须从机器中取出蓄电池。**无意间操作开关可能会造成伤害。
- ▶ **电动工具和通气孔必须随时保持清洁，以确保工作效率和工作安全。**

摆动防护罩必须能够无阻地来回摆动，并且要能够自动关闭，所以防护罩的四周必须随时保持清洁。每次工作结束后，使用压缩空气或毛刷清除机器上的灰尘和锯屑。

定期清洁滑轮(20)。

附件

	物品代码
集尘袋	1 609 B05 010
工作台GTA 2500 W	0 601 B12 100
工作台GTA 2500 Compact	0 601 B12 400
工作台GTA 2600	0 601 B12 300
工作台GTA 3800	0 601 B24 000
3 601 M43 000: 用于木材和板材、装饰板和木条的锯片	
Standard for Wood	2 608 837 741
305 x 2.2/1.6 x 30毫米, 40齿	
Standard for Wood	2 608 837 742
305 x 2.2/1.6 x 30毫米, 60齿	
Standard for Wood	2 608 837 744
305 x 2.2/1.6 x 30毫米, 96齿	
Expert for Wood	2 608 644 527
305 x 2.2/1.6 x 30毫米, 42齿	
Expert for Wood	2 608 644 528
305 x 2.2/1.6 x 30毫米, 60齿	
Expert for Wood	2 608 644 529
305 x 2.2/1.6 x 30毫米, 96齿	
3 601 M43 000: 用于铝材的锯片	
Standard for Aluminium	2 608 837 782
305 x 2.4/1.8 x 30毫米, 96齿	
Expert for Aluminium	2 608 644 547
305 x 2.4/1.8 x 30毫米, 96齿	
3 601 M43 000: 用于纤维水泥板的锯片	
Expert for Fibre Cement	2 608 644 559
305 x 2.2/1.6 x 30毫米, 8齿	

客户服务和应用咨询

本公司客户服务处负责回答有关本公司产品的修理、维护和备件的问题。备件的展开图纸和信息也可查看：www.bosch-pt.com
博世应用咨询团队乐于就我们的产品及其附件问题提供帮助。

询问和订购备件时，务必提供机器铭牌上标示的10位数物品代码。

中国大陆

博世电动工具（中国）有限公司
中国 浙江省 杭州市
滨江区 滨康路567号
102/1F 服务中心
邮政编码：310052
电话：(0571)8887 5566 / 5588
传真：(0571)8887 6688 x 5566# / 5588#
电邮：bsc.hz@cn.bosch.com
www.bosch-pt.com.cn

制造商地址：

Robert Bosch Power Tools GmbH
罗伯特·博世电动工具有限公司
70538 Stuttgart / GERMANY
70538 斯图加特 / 德国

其他服务地址请见：

www.bosch-pt.com/serviceaddresses

搬运

随着机器一起供货的锂离子充电电池必须符合危险物品法规。使用者无须另外使用保护包装便可以运送该充电电池。

但是如果将它交由第三者运送（例如：寄空运或委托运输公司）则要使用特殊的包装和标示。此时必须向危险物品专家请教有关寄送危险物品的相关事宜。

确定充电电池的外壳未受损后，才可以寄送充电电池。粘好未加盖的触点并包装好充电电池，不可以让充电电池在包装中晃动。必要时也得注意各国有关的法规。

处理废弃物



必须符合环保的方式，回收再利用损坏的电动工具、充电电池、附件和废弃的包装材料。



不可以把电动工具和充电电池/蓄电池丢入一般的家庭垃圾中！

充电电池/电池：

锂离子：

请注意“搬运”段落中的指示（参见“搬运”，页 118）确认设置。

有关中国的更多信息

CMIIT ID显示在蓝牙设备铭牌上

繁體中文

安全注意事項

電動工具通用安全警告

警告 請詳讀工作臺及電動工具的所有安全警告與使用說明。若不遵照以下列出的指示，將可能導致電擊、著火和/或人員重傷。

保存所有警告和說明書以備查閱。

在所有警告中，「電動工具」此一名詞泛指：以市電驅動的（有線）電動工具或是以電池驅動的（無線）電動工具。

工作場地的安全

- ▶ 保持工作場地清潔和明亮。混亂和黑暗的場地會引發事故。
- ▶ 不要在易爆環境，如有易燃液體、氣體或粉塵的環境下操作電動工具。電動工具產生的火花會點燃粉塵或氣體。
- ▶ 讓兒童和旁觀者離開後操作電動工具。注意力不集中會使您失去對工具的控制。

電氣安全

- ▶ 電動工具插頭必須與插座相配。絕不能以任何方式改裝插頭。需接地的電動工具不能使用任何轉換插頭。未經改裝的插頭和相配的插座將減少電擊危險。
- ▶ 避免人體接觸接地表面，如管道、散熱片和冰箱。如果您身體接地會增加電擊危險。
- ▶ 不得將電動工具暴露在雨中或潮濕環境中。水進入電動工具將增加電擊危險。
- ▶ 不得濫用電線。絕不能用電線搬運、拉動電動工具或拔出其插頭。使電線遠離熱源、油、銳利邊緣或移動零件。受損或纏繞的軟線會增加電擊危險。
- ▶ 當在戶外使用電動工具時，使用適合戶外使用的延長線。適合戶外使用的軟線，將減少電擊危險。
- ▶ 如果在潮濕環境下操作電動工具是不可避免的，應使用剩餘電流動作保護器（RCD）。使用RCD可降低電擊危險。

人身安全

- ▶ 保持警覺，當操作電動工具時關注所從事的操作並保持清醒。當您感到疲倦，或在有藥物、酒精或治療反應時，不要操作電動工具。在操作電動工具時瞬間的疏忽會導致嚴重人身傷害。
- ▶ 使用個人防護裝置。始終佩戴護目鏡。安全裝置，諸如適當條件下使用防塵面具、防滑安全鞋、安全帽、聽力防護等裝置能減少人身傷害。

- ▶ 防止意外起動。確保開關在連接電源和/或電池盒、拿起或搬運工具時處於關閉位置。手指放在已接通電源的開關上或開關處於接通時插入插頭可能會導致危險。
- ▶ 在電動工具接通之前，拿掉所有調節鑰匙或扳手。遺留在電動工具旋轉零件上的扳手或鑰匙會導致人身傷害。
- ▶ 手不要伸展得太長。時刻注意立足點和身體平衡。這樣在意外情況下能很好地控制電動工具。
- ▶ 著裝適當。不要穿寬鬆衣服或佩戴飾品。讓您的衣物及頭髮遠離運動部件。寬鬆衣服、佩飾或長髮可能會捲入運動部件中。
- ▶ 如果提供了與排屑、集塵設備連接用的裝置，要確保他們連接完好且使用得當。使用這些裝置可減少塵屑引起的危險。
- ▶ 切勿因經常使用工具所累積的熟練感而過度自信，輕忽工具的安全守則。任何一個魯莽的舉動都可能瞬間造成人員重傷。

電動工具使用和注意事項

- ▶ 不要濫用電動工具，根據用途使用適當的電動工具。選用適當設計的電動工具會使您工作更有效、更安全。
- ▶ 如果開關不能開啟或關閉工具電源，則不能使用該電動工具。不能用開關來控制的電動工具是危險的且必須進行修理。
- ▶ 在進行任何調整、更換配件或貯存電動工具之前，必須從電源上拔掉插頭並/或取出電池盒。這種防護性措施將減少工具意外起動的危險。
- ▶ 將閒置不用的電動工具貯存在兒童所及範圍之外，並且不要讓不熟悉電動工具或對這些說明不瞭解的人操作電動工具。電動工具在未經培訓的用戶手中是危險的。
- ▶ 保養電動工具與配備。檢查運動件是否調整到位或卡住，檢查零件破損情況和影響電動工具運行的其他狀況。如有損壞，電動工具應在使用前修理好。許多事故由維護不良的電動工具引發。
- ▶ 保持切削刀具鋒利和清潔。保養良好的有鋒利切削刀的刀具不易卡住而且容易控制。
- ▶ 按照使用說明書，考慮作業條件和進行的作業來使用電動工具、配件和工具的刀頭等。將電動工具用於那些與其用途不符的操作可能會導致危險。
- ▶ 把手及握持區應保持乾燥、潔淨，且不得沾染任何油液或油脂。易滑脫的把手及握持區將無法讓您在發生意外狀況時安全地抓緊並控制工具。

電池式工具使用和注意事項

- ▶ 只用製造商規定的充電器充電。將適用於某種電池盒的充電器用到其他電池盒時會發生著火危險。
- ▶ 只有在配有專用電池盒的情況下才使用電動工具。使用其他電池盒會發生損壞和著火危險。
- ▶ 當電池盒不用時，將它遠離其他金屬物體，例如回形針、硬幣、鑰匙、釘子、螺絲或其他小金屬物體，以防一端與另一端連接。電池端部短路會引起燃燒或火災。

- ▶ 在濫用條件下，液體會從電池中濺出；避免接觸。如果意外碰到了，用水沖洗。如果液體碰到了眼睛，還尋求醫療幫助。從電池中濺出的液體會發生腐蝕或燃燒。
- ▶ 請勿使用已受損或經改裝的電池盒。已受損或經改裝的電池組可能出現無法預期的反應，進而導致著火、爆炸或造成人員受傷。
- ▶ 勿讓電池盒或工具靠近火源或暴露於異常溫度環境中。若是靠近火源或暴露在超過130 °C的環境中可能造成爆炸。
- ▶ 請完全遵照所有的充電說明，電池盒或工具的溫度若是超出指示的規定範圍，請勿進行充電。不當充電或是未在規定的溫度範圍內進行充電，皆可能造成電池損壞並面臨更高的著火風險。

檢修

- ▶ 將您的電動工具送交專業維修人員，必須使用同樣的備件進行更換。這樣將確保所維修的電動工具的安全性。
- ▶ 請勿自行檢修受損的電池盒。電池組應交由製造商或是獲得授權的服務供應商來進行檢修。

角度切斷機的安全警告

- ▶ 角度切斷機主要用於切割木材或質地相似之產品，無法搭配切割砂輪用於切割金屬類材料，如鋼筋、金屬桿、螺栓等。砂磨粉塵會使運動元件（例如下擋板）卡住。砂輪切割產生的火花會燒到下擋板、墊片與其他塑料零件。
- ▶ 請盡量利用夾具固定加工件。若用手握持加工件，手與鋸片兩側應保持至少100 mm的距離。請勿用此鋸片切割過小而無法固定或需用手握持的工件。若您的手太靠近鋸片，會增加因接觸鋸片而受傷的風險。
- ▶ 加工件需保持固定，並使用圍欄與工作台進行固定。請勿將加工件朝鋸片方向送入或「徒手」進行切割。未固定或移動的加工件可能高速拋出而造成人員受傷。
- ▶ 請推動鋸片通過加工件。切勿拉動鋸片通過加工件。切割時，請將鋸頭升高並拉出而不要與加工件接觸，接著將鋸頭下壓再推動鋸片通過加工件。以拉動方式進行切割會造成鋸片移至加工件上，而使鋸片組件突然射向操作員。
- ▶ 請勿將手穿過鋸片切割路線的上方。以「雙手交叉」的方式握持加工件，例如以左手將加工件握在鋸片右側（反之亦然），是非常危險的。
- ▶ 當鋸片仍在轉動時，不論是為了取下剩餘的木材或任何原因，請勿將雙手伸過圍欄靠近鋸片至100 mm以內。您的手可能因不慎靠近轉動的鋸片而造成嚴重的傷害。
- ▶ 在切割前請先檢視您的加工件。若加工件呈現弓形或有彎曲，在固定時請將彎曲面的凸緣朝向圍欄。請隨時讓加工件、圍欄與工作台在切割線上保持切齊。變形或彎曲的加工件可能會扭曲或偏移而在切割時卡到轉動的鋸片。在加工件中不可有釘子等外物。
- ▶ 在使用鋸片前請先將工作台上的工具、木屑等淨空，僅留下加工件。小型碎屑、鬆脫的木材或其他物件如接觸到轉動之鋸片可能會高速射出。
- ▶ 一次只切割一片加工件。將多個加工件疊起來不易固定或支撐，故可能會在切割時卡住鋸片或偏移。
- ▶ 使用前請確實將角度切斷機安裝或放置在水平、堅固的工作面上。水平且堅固的工作面可降低使角度切斷機不穩定的風險。
- ▶ 作業前請先做規劃。每次變動傾斜或斜角的設定時，請記得調整圍欄使其能正確支撐加工件且不會影響到防護系統。當機具未「開啟」且工作台上無加工件的情況下，先模擬移動鋸片以確認其不會受到任何影響或有切割到圍欄的風險。
- ▶ 遇到較工作台更長或更寬的加工件時，請用工作台延伸裝置、鋸木架等協助固定。若未確實固定超出角度切斷機的加工件，則加工件可能會翻倒。若切斷的物件或加工件翻倒，可能會使下擋板翹起或物件被轉動的鋸片射出。
- ▶ 請勿讓其他人員擔任工作台延伸裝置或額外支撐物的角色。未固定加工件在切割時會造成刀片卡住或使加工件移動而使您與助手偏向鋸片。
- ▶ 切除的物件不可卡住或靠近轉動的鋸片。若加以限制（如使用長度擋片），切除的物件可能會接觸到鋸片而突然射出。
- ▶ 請隨時利用固定裝置或夾具將圓形材料如桿子、管子等妥善固定。桿子在切割時容易滾動，使鋸片卡住而將加工件連同您的手一起「捲入」鋸片中。
- ▶ 在讓鋸片接觸加工件時，請先讓刀片達到全速運轉的狀態。如此可降低加工件射出的風險。
- ▶ 若加工件或鋸片卡住，請將角度切斷機關閉。請等候移動零件停止再將插頭從電源拔掉及/或取下電池組。接著再設法清除卡住的材料。在加工件卡住的狀態下繼續鋸切會造成失控或角度切斷機損壞。
- ▶ 在切割完畢後，請鬆開開關、保持鋸頭朝下等候鋸片停止，然後再取下切開的加工件。用手靠近急轉的鋸片非常危險。
- ▶ 當切割不完整或在鋸頭未完全處於下方位置時鬆開開關，請握緊握把。鋸片的煞車動作會造成鋸頭突然下拉而有受傷的風險。
- ▶ 鋸頭到達最低位置時，請勿鬆開手把手。隨時用手將鋸頭放回最高位置。若鋸頭失控，則有受傷的風險。
- ▶ 作業區請保持整潔。複合材質是極具危險性的材質。輕質合金粉塵可能會起火或爆炸。
- ▶ 不可以使用已經變鈍、有裂痕、彎曲或損壞的鋸片。鋸片如果已經變鈍了，或者鋸齒變形了，會因為鋸縫過小而提高鋸割時的磨擦，鋸片容易被夾住並造成反彈。
- ▶ 不可以使用高合金快速鋼（HSS）製造的鋸片。此類鋸片容易折斷。
- ▶ 請務必使用具備正確尺寸和心軸形狀（鑽石或圓形）的鋸片。不符合鋸片安裝硬體的刀片在運轉時將會偏離中心，進而導致失控。
- ▶ 如果電動工具仍在運轉，不可以試著清除切割範圍內的鋸屑、木屑等。先收回機臂然後再關閉電動工具。

- ▶ 加工後如果鋸片尚未冷卻，切勿觸摸鋸片。工作時鋸片會變得非常灼熱。
- ▶ 如果充電電池損壞了，或者未按照規定使用充電電池，充電電池中會散發出有毒蒸氣。充電電池可能起火或爆炸。工作場所必須保持空氣流通，如果身體有任何不適必須馬上就醫。充電電池散發的蒸氣會刺激呼吸道。
- ▶ 切勿拆開充電電池。可能造成短路。
- ▶ 尖銳物品（例如釘子或螺絲起子）或是外力皆有可能造成充電電池損壞。進而導致內部短路而發生電池起火、冒煙、爆炸或過熱等事故。
- ▶ 僅可使用產品的原廠充電電池。如此才可依照產品提供過載保護。



保護充電電池免受高溫（例如長期日照）、火焰、污垢、水液和濕氣的侵害。有爆炸及短路之虞。



- ▶ 謹慎對待電動工具上的警告標示，絕對不可讓它模糊不清而無法辨識。
- ▶ 本電動工具出貨時皆有附掛雷射警示牌（詳見「符號和它們的代表意義」一覽表）。



請勿將雷射光束對準人員或動物，您本人亦不可直視雷射光束或使雷射光束反射。因為這樣做可能會對他人眼睛產生眩光，進而引發意外事故或使眼睛受到傷害。

- ▶ 萬一雷射光不小心掃向眼睛，應立刻閉上眼睛並立刻將頭轉離光束範圍。
- ▶ 請勿使用望遠鏡等聚光儀器或透過此類儀器注視雷射光源。您的眼睛可能因此受傷。
- ▶ 勿將雷射光束對準正在使用望遠鏡或其他類似物品觀看的人員。他們的眼睛可能因此受傷。
- ▶ 請勿對本雷射裝備進行任何改造。您可以放心使用本操作說明書中所述及的設定方法。
- ▶ 請勿將雷射眼鏡當作護目鏡（配件）使用。雷射眼鏡是用來讓您看清楚雷射光束；但它對於雷射光照射並沒有保護作用。
- ▶ 請勿將雷射眼鏡當作護目鏡（配件）使用，或在道路上行進間使用。雷射眼鏡無法完全阻隔紫外線，而且還會降低您對於色差的感知能力。
- ▶ 小心 - 若是使用非此處指明的操作設備或校正設備，或是未遵照說明的操作方式，可能使您暴露於危險的雷射光照射環境之下。
- ▶ 不可以使用其他類型的雷射替代機器中的雷射。若是安裝了不適合電動工具的雷射，可能危及人員安全。
- ▶ 小心！使用電動工具時若開啟 Bluetooth® 功能，將可能對其他裝置或設備、飛機以及醫療器材（例如心律調節器、助聽器等）產生干擾。同樣亦無法完全排除對鄰近之人員或動物造成身體危害的可能性。請勿在醫療器材、加油站、化學設備、爆炸危險場所以及易爆環境等處附近，使用電動工具的 Bluetooth® 功能。請勿在飛機上使用電動工具的 Bluetooth® 功能。應避免直接貼靠在身體部位旁的長時間持續操作。

Bluetooth® 一詞及其標誌（商標）為 Bluetooth SIG, Inc. 所擁有之註冊商標。Robert Bosch Power Tools GmbH 對於此詞彙/標誌之任何使用均已取得授權。

符號

以下符號可以幫助您正確地使用本電動工具。請牢記各符號和它們的代表意義。正確了解各符號代表的意思，可以幫助您更有把握更安全地操作本電動工具。

符號和它們的代表意義



請勿用光學望遠鏡直視雷射光束
雷射等級 1M



當電動工具運轉時，切勿把手伸進鋸切範圍內。手若觸碰鋸片有被割傷的危險。



請佩戴防塵面罩。



請佩戴護目鏡。



請佩戴耳罩。工作噪音會損壞聽力。



危險範圍！手掌，手臂和手指頭必須盡可能遠離這個範圍。

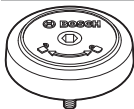


手指頭不可以伸入滑動臂的活動零件中。手指頭可能被捲入零件並造成嚴重傷害。



請注意鋸片尺寸。鋸片上的內孔直徑必須和工具主軸完全吻合，不能有空隙。如果必須使用異徑管，則應注意：異徑管尺寸必須與鋸片主體厚度、鋸片內孔直徑以及工具主軸直徑相配。請儘可能使用鋸片隨附的異徑管。鋸片直徑必須與符號上的數值相符。

符號和它們的代表意義



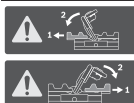
指示旋緊鋸片（逆時針）與鬆開鋸片（順時針）時 SDS 插銷的旋轉方向。



搬運電動工具時只能握在專門為搬運而設置的指定位置上（把手槽）或握在搬運把手上。



切勿從滑動臂的把手處提起電動工具。



斜鋸角為垂直角度時，必須移動左側或右側擋軌延長件，或者將它整個拆除。



採用全新高效能馬達，並搭配 ProCORE-18V 充電電池，其性能表現可比有線電動工具的馬達。



緊固握把打開：
可調整垂直斜鋸角。

緊固握把閉合：
固定住滑動臂已調整好的垂直斜鋸角。



指示調整垂直方向斜鋸角的各個步驟。

1. 鬆開緊固握把
2. 將滑動臂略微往左翻轉
3. 利用旋鈕調整所需的垂直斜鋸角範圍



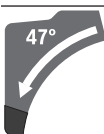
利用旋鈕調整垂直斜鋸角範圍：



鋸片向左傾斜 (45° ... 0°)



鋸片向右傾斜 (0° ... 45°)



滑動臂的整個翻轉範圍 (-47° ... +47°)

產品和功率描述



請詳讀所有安全注意事項和指示。如未遵守安全注意事項與指示，可能導致火災、人員遭受電擊及/或重傷。請留意操作說明書中最前面的圖示。

依規定使用機器

本電動工具適合以站立的方式，在木材上進行縱向和橫向的直線鋸切。此時可加工的水平斜鋸角為 -52° 至 +60°，可加工的垂直斜鋸角為（左側）47° 至（右側）47°。

本電動工具的功率適合鋸切硬木和軟木，以及塑合板與纖維板。

安裝合適的鋸片後，也可以鋸切鋁製型材和塑膠。

電動工具若有搭載 Bluetooth® Low Energy Module **GCY 42**，即可透過 Bluetooth® 無線技術，與終端行動裝置傳輸資料和設定。

插圖上的機件

機件的編號和電動工具詳解圖上的編號一致。

- (1) 把手
- (2) 起停開關的作動安全鎖
- (3) 使用者介面
- (4) 防護罩
- (5) 活動防護罩
- (6) 可調式止動滑軌
- (7) 止動滑軌
- (8) 鋸台延長件
- (9) 安裝孔
- (10) 嵌補板
- (11) 止動夾
- (12) 偏好斜鋸角的鎖定旋鈕（水平）
- (13) 斜鋸角設定扳片（水平）
- (14) 偏好斜鋸角的緊固握把（垂直）
- (15) 基本斜鋸角的刻槽（水平）
- (16) 把手凹槽
- (17) 內六角扳手（6 mm / 4 mm）
- (18) 內六角扳手（2 mm）
- (19) 活動夾鉗
- (20) 滑輪
- (21) 右側斜鋸角範圍的角度指示器（0° 至 47°）（垂直）
- (22) 導屑器
- (23) SDS 插銷
- (24) 出屑口
- (25) 滑動機構的夾緊桿
- (26) 吸塵轉接頭
- (27) 限深擋塊的校正螺栓
- (28) 限深擋塊
- (29) 雷射警示牌
- (30) 雷射保護蓋
- (31) 藍牙® Low Energy Module GCY 42 的護蓋
- (32) 充電電池^{a)}
- (33) 充電電池解鎖按鈕^{a)}
- (34) 滑動臂

- (35) 搬運固定裝置
- (36) 斜鋸角刻度尺 (垂直)
- (37) 左側斜鋸角範圍的角度指示器 (47° 至 0°) (垂直)
- (38) 22.5° 斜鋸角調整鈕 (垂直)
- (39) 長度擋塊的鎖定螺栓
- (40) 長度擋塊
- (41) 斜鋸角刻度尺 (水平)
- (42) 鋸台
- (43) 斜鋸角範圍調整旋鈕 (垂直)
- (44) 鋸片
- (45) 雷射光束射出口
- (46) 充電電池的電量指示器 (使用者介面)
- (47) ECO 模式指示器 (使用者介面)
- (48) 轉速預設按鈕 (使用者介面)
- (49) 轉速檔位/模式指示器 (使用者介面)
- (50) 智慧型手機指示器 (使用者介面)
- (51) 電動工具狀態指示器 (使用者介面)
- (52) 溫度指示器 (使用者介面)
- (53) 主軸鎖
- (54) 固定鋸片的內六角螺栓
- (55) 緊固法蘭
- (56) 內側緊固法蘭
- (57) 鋸台延長件的夾緊桿
- (58) 可調式止動滑軌的鎖定螺栓
- (59) 減震器
- (60) 減震功能的調整螺栓
- (61) 活動夾鉗安裝孔
- (62) 蝶翼螺栓
- (63) 螺桿
- (64) 斜鋸角的角度指示器 (水平)
- (65) 電源開關
- (66) 嵌補板的固定螺栓
- (67) 長度擋塊的止付螺栓
- (68) 雷射定位的調整螺栓 (對齊)
- (69)/ (70)/ (71) 0° 基本設定的調整螺栓 (垂直斜鋸角)
- (72) 45° 基本設定的調整螺栓 (左側垂直斜鋸角)
- (73) 45° 基本設定的調整螺栓 (右側垂直斜鋸角)
- (74) 斜鋸角刻度尺的調整螺栓 (水平)
- (75) 角度指示器的固定螺栓 (水平)
- (76) 用以設定任意斜鋸角之緊固握把的夾力調整螺栓 (垂直)

a) 圖表或說明上提到的配件，並不包含在基本的供貨範圍中。本公司的配件清單中有完整的配件供應項目。

技術性數據

斜斷鋸		GCM 18V-305 GDC
產品機號		3 601 M43 0..
額定電壓	V=	18
無負載轉速 ^{A)}	次 / 分	3000-4000
ECO 模式下的無負載轉速 ^{A)}	次 / 分	2550
雷射種類	nm	650
	mW	< 1
雷射等級		1M
雷射標線的光束發散角	mrad (全角)	1.0
重量符合 EPTA-Procedure 01:2014 ^{B)}	kg	26,9-27,8
充電狀態下的建議環境溫度	°C	0 ... +35
操作狀態下的容許環境溫度 ^{C)} 以及存放狀態下	°C	-20 ... +50
建議使用的充電電池		GBA 18V... ProCORE18V...
建議使用的充電器		GAL 18... GAX 18... GAL 36...
資料傳輸		
藍牙 ^{D)}		藍牙 4.2 (低功率) ^{D)}
訊號間隔時間	秒	8
訊號最遠傳送範圍 ^{E)}	m	30
適用鋸片的尺寸		
鋸片直徑	mm	305
鋸片主體的厚度	mm	1.7-2.6
最大鋸切寬度	mm	3.2
孔徑	mm	30

A) 於 20-25 °C 配備充電電池 ProCORE18V 8.0Ah 時測得。

B) 視所使用的充電蓄電池而定

C) 溫度 <0 °C 時，性能受限

D) 終端行動裝置必須與 Bluetooth® (藍牙) 低功耗設備 (4.2 版) 相容，並支援 Generic Access Profile (GAP)。

E) 此傳送範圍受外在環境條件 (包含您所使用之接收裝置) 的影響而有極大差異。在密閉空間內，諸如牆面、置物櫃、提箱等物品中的金屬部件會阻礙藍牙® 功能的傳輸，而使訊號傳送範圍明顯縮小。

容許的工件尺寸 (最大 / 最小) : (參見「容許的工件尺寸」, 頁 129)

安裝

- ▶ 在電動工具上進行任何維護的工作 (例如維修，更換工具等) 以及搬運和儲存電動工具之前，都必須從電動工具中取出充電電池。若是不小心觸動起停開關，可能造成人員受傷。

供貨範圍



對此，請您留意操作說明書開頭處的供貨範圍說明。

初次使用本電動工具之前，先檢查以下各部件是否包含在供貨範圍中：

- 已安裝鋸片的斜斷鋸 (44)
- 鎖定旋鈕 (12)
- 內六角扳手 (17)
- 內六角扳手 (18)
- 活動夾鉗 (19)
- SDS 插銷 (23)
- 集塵袋

提示：檢查電動工具是否有壞損之處。

使用電動工具之前，必須仔細檢查防護裝置或輕微損壞的零件是否仍然運作正常。檢查活動零件是否功能正常、沒有被卡死，以及是否有任何零件有否受損。所有零件都必須安裝正確，並且符合規定以確保機器能夠正常運作。

損壞的防護裝置和零件必須按照規定交給合格的專業修理廠修理或更換。

除了供貨範圍中的部件之外，您還須使用以下的工具：

- 十字螺栓起子
- 開口扳手 (尺寸：8 mm)
- 環形扳手、開口扳手或套筒扳手 (尺寸：10 mm 和 17 mm)

啟用藍牙® Low Energy 模組 GCY 42

如需 Bluetooth® Low Energy Module GCY 42 的相關資訊，請詳讀其操作說明書。

啟用鈕扣電池

- 取下藍牙® Low Energy Module GCY 42 的護蓋 (31)。
- 取下鈕扣電池與藍牙® Low Energy Module GCY 42 之間的絕緣件。
- 關上護蓋 (31)，讓灰塵無法侵入。
- ▶ 請用螺絲起子或一枚錢幣等類似物品，將藍牙® Low Energy Module GCY 42 的護蓋從電動工具上取下。若使用不當物品，可能造成電子零件或護蓋損壞。

為充電電池進行充電

- ▶ 只能選用技術性數據裡所列出的充電器。僅有這些充電器適用於電動工具所使用的鋰離子充電電池。

提示：出貨時充電電池已部分充電。首度使用電動工具之前，請先用充電器將充電電池充飽電以確保充電電池蓄滿電力。

鋰離子充電電池可隨時充電，不會縮短電池的使用壽命。如果突然中斷充電，電池也不會損壞。

鋰離子充電電池配備了電池保護裝置「Electronic Cell Protection (ECP)」，可以防止充電電池過度

放電。充電電池的電量如果用盡了，保護開關會自動關閉電動工具：嵌件工具會停止轉動。

- ▶ 電動工具自動關機後，請勿再按壓電源開關。否則充電電池可能會損壞。

請您遵照廢棄物處理相關指示。

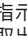
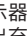
取出充電電池

本充電電池 (32) 具備了雙重鎖定功能，即使不小心按壓了充電電池解鎖按鈕 (33)，充電電池也不會從機器中掉落出來。固定彈簧會把充電電池夾緊在機器中。

若要取出充電電池，請按壓解鎖按鈕，然後將充電電池抽出電動工具。**不可以強行拉出充電電池。**

充電電池的電量指示器

充電電池的電量指示器透過綠色 LED 燈告知充電電池的目前電量。基於安全顧慮，務必在電動工具完全靜止時才能檢查充電電池的電量。

按一下電量指示器按鈕  或 ，即可顯示目前的電量。即使已取出充電電池，此項功能仍可正常運作。

按壓電量顯示按鈕後，LED 燈若未亮起，即表示充電電池故障，必須予以更換。

提示：充電電池目前的電量也會顯示在使用者介面 (3)。

充電電池型號 GBA 18V...



LED 燈	容量
3 顆綠燈持續亮起	60-100 %
2 顆綠燈持續亮起	30-60 %
1 顆綠燈持續亮起	5-30 %
1 顆綠燈呈閃爍狀態	0-5 %

充電電池型號 ProCORE18V...



LED 燈	容量
5 顆綠燈持續亮起	80-100 %
4 顆綠燈持續亮起	60-80 %
3 顆綠燈持續亮起	40-60 %
2 顆綠燈持續亮起	20-40 %
1 顆綠燈持續亮起	5-20 %
1 顆綠燈呈閃爍狀態	0-5 %

安裝各部件

- 小心地從包裝中取出所有隨附零件。
- 拆除電動工具和隨附配件上的所有包裝材料。

安裝鎖定旋鈕 (請參考圖 a)

- 將鎖定旋鈕 (12) 旋入撥桿 (13) 上方的對應孔內。
- ▶ 鋸切之前務必旋緊鎖定旋鈕 (12)。否則鋸片可能在工件中傾斜。

固定安裝方式或活動安裝方式

- ▶ 為了能夠穩定地操作機器，正式使用機器之前，必須把電動工具固定在平坦、穩固的工作平面上 (例如工作桌)。

安裝在工作平面上 (請參考圖 b1)

- 使用合適的夾鉗把電動工具固定在工作平面上。必須利用安裝孔 (9) 來進行固定。

或

- 也可以使用一般市售活動夾鉗，夾住電動工具的支撐腳以便將它固定在工作平面上。

安裝在博世工作台上

(請參考圖 b2)

(GTA 2500 W, GTA 2500 Compact, GTA 2600, GTA 3800)

博世的 GTA 工作桌擁有可調整高度的桌腳，使電動工具能夠穩固站立在任何底座上。工作桌的工件托架可以支撐較長工件。

- ▶ 請詳讀工作桌附帶的所有警告指示和說明。若未遵循警告指示和說明可能遭受電擊、發生火災並/或造成嚴重傷害。
- ▶ 安裝電動工具之前必須先正確地組裝工作桌。重點是要正確地組裝工作桌，如此可以避免工作桌倒塌。
- 把電動工具調整至搬運位置並將其安裝在工作台上。

吸除廢塵/料屑

含鉛顏料、部分木材種類、礦石和金屬的加工廢塵有害健康。機器操作者或施工現場附近的人員如果接觸、吸入這些廢塵，可能會引發過敏反應或感染呼吸道疾病。

某些塵埃 (例如加工橡木或山毛櫸的廢塵) 可能致癌，特別是與處理木材的添加劑 (例如木材的防腐劑等) 結合之後。唯有受過專業訓練的人才能夠進行含石棉材料的加工。

- 儘可能使用適合物料的吸塵裝置。
- 工作場所要保持空氣流通。
- 建議佩戴 P2 過濾等級的口罩。

請留意並遵守貴國的物料加工相關法規。

- ▶ 避免讓工作場所堆積過多的塵垢。塵埃容易被點燃。

廢塵/料屑吸集裝置可能被廢塵、廢屑或工件殘屑堵塞。

- 關閉電動工具並取出充電電池。
- 請您稍候，讓鋸片完全停止轉動。
- 找出造成堵塞的原因，並且排除障礙。

外接其他吸塵裝置

若要吸塵，您也可在吸塵轉接頭 (26) 接上吸塵器軟管 (直徑 35 mm)。

- 將吸塵器軟管連接至吸塵轉接頭 (26)。

根據工件材質選擇合適的吸塵器。

吸集可能危害健康、可能致癌或乾燥的廢塵時，務必使用特殊吸塵器。

清潔吸塵轉接頭

必須定期清潔吸塵轉接頭 (26)，以確保最佳吸塵效果。

- 以旋轉方式將吸塵轉接頭 (26) 從出屑口 (24) 上拔下。
- 清除工件的碎塊和鋸屑。
- 再度把吸塵轉接頭旋入出屑口中，要讓轉接頭越過出屑口的支撐環並正確地卡牢。

更換鋸片

- ▶ 在電動工具上進行任何維護的工作 (例如維修，更換工具等) 以及搬運和儲存電動工具之前，都必須電動工具中取出充電電池。若是不小心觸動起停開關，可能造成人員受傷。

- ▶ 安裝鋸片時務必穿戴防護手套。碰觸到鋸片可能被割傷。

所使用的鋸片其最高容許轉速必須高於電動工具的無負載轉速。

根據本說明書中提出的特性參數選擇合適的鋸片。必須選用通過 EN 847-1 認證並具有認證標示的鋸片。

只能使用本電動工具製造商所推薦的鋸片，以及加工物料適用的鋸片。唯有這樣做才能避免鋸切時發生鋸齒過熱的情形。

使用內六角螺栓進行安裝 (請參考圖 c1-c4)**拆卸鋸片**

- 把電動工具調整至工作位置。
- 將活動防護罩 (5) 往後翻轉，然後讓它保持在這個位置上。
- 用內六角扳手 (4 mm) (17) 旋轉內六角螺栓 (54) 並同時按壓主軸鎖 (53)，讓它卡緊。
- 按壓主軸鎖 (53) 不要放開，並沿順時針方向將內六角螺栓 (54) 旋出 (左旋螺紋！)。
- 取下緊固法蘭 (55)。
- 取出鋸片 (44)。
- 重新慢慢放下活動防護罩。

安裝鋸片

- ▶ 安裝時請注意，鋸齒的鋸切方向 (即鋸片上的箭頭指示方向) 必須與防護罩上的箭頭指示方向一致！

必要時，請在安裝前清潔所有待安裝的零部件。

- 將活動防護罩 (5) 往後翻轉，然後讓它保持在這個位置上。
- 將新鋸片裝到內側緊固法蘭 (56) 上。
- 裝上緊固法蘭 (55) 和內六角螺栓 (54)。按壓主軸鎖 (53)，直到其卡緊，接著再沿逆時針方向旋緊內六角螺栓。

- 重新慢慢放下活動防護罩。

使用 SDS 插銷進行安裝 (請參考圖 d)

- ▶ 在進行垂直斜鋸和使用 SDS 插銷 (23) 的情況下，必須在鋸切前適當地設置限深擋塊 (28)，以確保 SDS 插銷在任何時候都不會接觸工件表面。如此可以防止 SDS 插銷和/或工件受損。

拆卸鋸片

- 把電動工具調整至工作位置。
- 將活動防護罩 (5) 往後翻轉，然後讓它保持在這個位置上。
- 旋轉 SDS 插銷 (23) 並同時按壓主軸鎖 (53)，讓它卡緊。
- 按壓主軸鎖 (53) 不要放開，並沿順時針方向將 SDS 插銷 (23) 旋出 (左旋螺紋！)。
- 取下緊固法蘭 (55)。
- 取出鋸片 (44)。
- 重新慢慢放下活動防護罩。

安裝鋸片

- ▶ 安裝時請注意，鋸齒的鋸切方向 (即鋸片上的箭頭指示方向) 必須與防護罩上的箭頭指示方向一致！

必要時，請在安裝前清潔所有待安裝的零部件。

- 將活動防護罩 (5) 往後翻轉，然後讓它保持在這個位置上。
- 將新鋸片裝到內側緊固法蘭 (56) 上。
- 裝上緊固法蘭 (55) 和 SDS 插銷 (23)。按壓主軸鎖 (53)，直到其卡緊，接著再沿逆時針方向旋緊 SDS 插銷。
- 重新慢慢放下活動防護罩。

操作

- ▶ 在電動工具上進行任何維護的工作 (例如維修，更換工具等) 以及搬運和儲存電動工具之前，都必須電動工具中取出充電電池。若是不小心觸動起停開關，可能造成人員受傷。

搬運固定裝置 (請參考圖 A)

搬運固定裝置 (35) 可讓您輕鬆將電動工具搬運至不同工作地點。

解開電動工具的鎖定 (工作位置)

- 從把手 (1) 處將滑動臂 (34) 略微往下按壓，以便將搬運固定裝置 (35) 鬆開。
- 將搬運固定裝置 (35) 拉至最外側。
- 慢慢地向上提起滑動臂 (34)。

鋸切水平及/或垂直斜鋸角時，必須依照鋸切方向將左側或右側的活動式止動滑軌 (6) 往外拉或整個拆除。

垂直斜鋸角	水平斜鋸角	
0°-47° (左側)	≤ 44° (右側/左側)	- 鬆開鎖定螺栓 (58)。 - 將左側活動式止動滑軌 (6) 拉至最外側。

鎖定電動工具 (搬運位置)

- 將滑動臂 (34) 推到最後面，然後將它固定在這個位置上。
- 將滑動臂往下拉至，搬運固定裝置 (35) 能夠推至最內側的程度。

進一步提示：(參見「搬運 (請參考圖 Z)」，頁 131)

鎖定滑動臂

滑動臂 (34) 的滑動機構可透過夾緊桿 (25) 鎖定。滑動臂可以固定在兩個位置：

- 將滑動臂推到最後面時 (適用於鋸斷)
- 將滑動臂拉至最前面時 (適用於收攏的搬運位置)

解開滑動臂的鎖定 (請參考圖 B1)

滑動臂 (34) 解開鎖定後，滑動機構即可全面使用。

- 將夾緊桿 (25) 往下按壓到底。
- 此時夾緊桿的夾緊楔便會放開滑動臂的兩個下方關節部位。

鎖定滑動臂 (請參考圖 B2)

滑動臂推到最後面：

- 將滑動臂 (34) 往後推到底。
- 此時滑動臂的兩個上方關節部位會豎立起來並且閉合。
- 將夾緊桿 (25) 往上拉起，直到夾緊楔位於滑動臂的兩個下方關節部位之間。
- 已推到最後面的滑動臂 (34) 將因此鎖定無法再移動。

滑動臂推到最前面：

- 將滑動臂 (34) 往前拉到底。
- 此時滑動機構會完全移出。
- 將夾緊桿 (25) 往上拉起，直到夾緊楔位於滑動臂的兩個下方關節部位之間。
- 已拉至最前面的滑動臂 (34) 將因此鎖定無法再移動。

正式運作前的準備工作

延長鋸台 (請參考圖 C)

長型工件的末端不可以懸空，必須做好支撐。

鋸台可藉助鋸台延長件 (8) 往左及往右延伸。

- 把夾緊桿 (57) 向內推。
- 將鋸台延長件 (8) 往外拉至所需長度 (全長 250 mm)。
- 若要固定鋸台延長件，請將夾緊桿 (57) 重新往外推即可。

移動止動滑軌 (請參考圖 D-E)

垂直斜鋸角	水平斜鋸角	
0°–47° (左側)	≥ 45° (右側/左側)	<ul style="list-style-type: none"> – 鬆開鎖定螺栓 (58)。 – 將左側活動式止動滑軌 (6) 拉至最外側。 – 將活動式止動滑軌往上提起。 – 拆除鎖定螺栓 (58)。
0°–47° (右側)	≤ 44° (右側/左側)	<ul style="list-style-type: none"> – 鬆開鎖定螺栓 (58)。 – 將右側活動式止動滑軌 (6) 拉至最外側。 – 將活動式止動滑軌往上提起。
0°–47° (右側)	≥ 45° (右側/左側)	

調整滑動臂的減震功能 (請參考圖 F)

滑動臂的滑動機構 (34) 出廠前已進行預調，電動工具出貨時並無減震功能。

您可從減震器 (59) 自行調整滑動機構的減震性能：

硬 - 穩定地操作；

軟 - 快速地鋸切。

- 用內六角扳手 (4 mm) (17) 鬆開兩顆調整螺栓 (60)，即可調軟減震性能
- 或
- 將兩顆調整螺栓 (60) 鎖得更緊，即可調硬減震性能。

固定工件 (請參考圖 G)

為了確保工作安全，請務必固定好工件。

不可以加工太小而無法固定的工件。

- 將工件往止動滑軌 (7) 和 (6) 壓緊固定。
- 將隨附的活動夾鉗 (19) 插進任一專為其設置的孔洞 (61)。
- 鬆開蝶翼螺栓 (61) 並配合工件調整活動夾鉗。重新鎖緊蝶翼螺栓。
- 將螺桿 (63) 牢牢旋緊，以便固定工件。

放鬆工件

- 請逆時針旋轉螺桿 (63) 即可鬆開活動夾鉗。

調整水平斜鋸角

設定水平方向的基本斜鋸角 (請參考圖 H)

鋸台上設有刻槽 (15)，讓您能夠快速而精準地調整至經常使用的水平斜鋸角：

左	右
0°	
45° ; 31.6° ; 22.5° ; 15°	22.5° ; 31.6° ; 45° ; 60°

- 鎖定旋鈕 (12) 若已鎖上，請將它鬆開。
- 拉起撥桿 (13) 然後將鋸台 (42) 往左或往右旋轉至所需刻槽。
- 再度放開撥桿。撥桿必須正確地陷入凹槽記號中。
- 將鎖定旋鈕 (12) 重新拉緊。

設定偏好水平斜鋸角 (請參考圖 I)

水平斜鋸角的調整範圍在 52° (左側) 至 60° (右側) 之間。

- 鎖定旋鈕 (12) 若已鎖上，請將它鬆開。
- 拉起撥桿 (13) 並同時按壓止動夾 (11)，直到卡入專門為其設置的凹槽內。於是鋸台便可自由移動。
- 轉動鎖定旋鈕便可讓鋸台 (42) 向左或向右移直到角度指示器 (64) 指在所需水平斜鋸角上。
- 將鎖定旋鈕 (12) 重新旋緊。
- 若要重新鬆開撥桿 (13) (以便設定水平方向的基本斜鋸角)，請將撥桿往上拉。此時止動夾 (11) 會彈回原來的位置，於是又可以重新將撥桿 (13) 卡入刻槽 (15) 中。

設定垂直斜鋸角

垂直斜鋸角的調整範圍在 47° (左側) 至 47° (右側) 之間。

在 0°、22.5°、45° 和 47° 等角度上設有擋塊，可讓您快速而精準地調整至經常使用的斜鋸角。

調整左側垂直斜鋸角範圍 (45° 至 0°)

- 將左側活動式止動滑軌 (6) 拉至最外側。
- 鬆開緊固握把 (14)。
- 從把手 (1) 處將滑動臂 (34) 往左翻轉，直到角度指示器 (37) 指在所需垂直斜鋸角上。
- 讓滑動臂 (34) 保持在於這個位置上，然後重新旋緊緊固握把 (14)。
- 不管是設定在哪一個垂直斜鋸角上，緊固握把的夾緊力必須能夠緊緊地固定好滑動臂。

調整右側垂直斜鋸角範圍 (0° 至 45°) (請參考圖 J)

- 將右側活動式止動滑軌 (6) 拉至最外側。
- 鬆開緊固握把 (14)。
- 從把手 (1) 處將滑動臂 (34) 從 0° 位置略微往左傾斜，轉動旋鈕 (43)，直到看見所需垂直斜鋸角範圍。
- 從把手 (1) 處將滑動臂 (34) 往右翻轉，直到角度指示器 (21) 指在所需斜鋸角上。
- 讓滑動臂 (34) 保持在於這個位置上，然後重新旋緊緊固握把 (14)。

不管是設定在哪一個垂直斜鋸角上，緊固握把的夾緊力必須能夠緊緊地固定好滑動臂。

設定垂直方向的 0° 基本斜鋸角

旋鈕 (43) 卡入左側垂直斜鋸角範圍，如此才能重新微調垂直方向的 0° 基本斜鋸角。

- 將滑動臂 (34) 從右側翻轉至 0° 位置上。

調整整個垂直斜鋸角範圍 (-47° 至 +47°)



- 將兩個活動式止動滑軌 (6) 拉至最外側。
 - 鬆開緊固握把 (14)。
 - 從把手 (1) 處將滑動臂 (34) 從 0° 位置略微往左傾斜，轉動旋鈕 (43)，直到看見所需垂直斜鋸角範圍。
 - 從把手 (1) 處將滑動臂 (34) 往左或往右翻轉，直到角度指示器 (37) 或 (21) 指在所需垂直斜鋸角上。
 - 讓滑動臂 (34) 保持在於這個位置上，然後重新旋緊緊固握把 (14)。
- 不管是設定在哪一個垂直斜鋸角上，緊固握把的夾緊力必須能夠緊緊地固定好滑動臂。

設定垂直方向的 22.5° 基本斜鋸角 (請參考圖 K)

將調整鈕 (38) 拉至最外側，然後將它旋轉 90°。接著從把手 (1) 處翻轉滑動臂 (34)，直到聽見滑動臂卡上的聲音。

設定水平與垂直斜鋸角

操作機器

安裝充電電池

- ▶ 只能使用 Bosch 原廠的鋰離子充電電池，電池的電壓必須和電動工具產品銘牌上提供的電壓值一

顯示目前狀態

充電電池的電量指示器 (使用者介面) (46)	代表意義/原因	解決辦法
綠色 (2 至 5 格)	仍有足夠電力	–
黃色 (1 格)	充電電池的電量即將用盡	儘快更換充電電池或為其充電
紅色 (1 格)	充電電池的電量耗盡	更換充電電池或為其充電
溫度指示器 (52)	代表意義/原因	解決辦法
黃色	已達到臨界溫度 (馬達、電子部件、充電電池)	讓電動工具空轉並降溫冷卻
紅色	電動工具過熱並隨即關機	讓電動工具降溫冷卻
智慧型手機指示器 (50) 和電動工具狀態指示器 (51)	代表意義/原因	解決辦法
黃色	保養提醒	如需進一步資訊，請至 Bosch Toolbox App 或將產品送交保養

致。若使用其他充電電池，可能導致人員受傷和造成起火。

- 請將充好電的充電電池 (32) 推入電動工具的電池盒，讓充電電池確實卡上。

啟動 (請參考圖 L)

- 若要開啟電動工具，請先將作動安全鎖 (2) 推到中間，接著再按壓起停開關 (65) 不要放開。

提示：基於安全考量，無法鎖定起停開關 (65) 的位置，所以操作機器時必須持續按住此開關。

關閉

- 若要關閉，鬆開起停開關 (65) 即可。

ECO 模式

電動工具若以省電的 ECO 模式運作，充電電池可使用的時間可增加 20 %。

ECO 模式啟用時，轉速檔位/模式指示器 (49) 中將出現 E 符號。此外，ECO 模式指示器 (47) 也會同時亮起。

使用者介面

使用者介面 (3) 可用來預設轉速以及示意電動工具的目前狀態。

轉速設定

機上預設了一種 ECO 模式以及 3 種轉速檔位。

利用轉速預設按鈕 (48) 即使是在工具運作期間，亦可按照需求設定轉速。

轉速檔位	轉速 [次/分]
Eco	2550
1	3000
2	3500
3	4000

電動工具狀態指示器 (51) 代表意義/原因		解決辦法
綠色	正常狀態	-
黃色	已達到臨界溫度或充電電池的電量即將用盡	讓電動工具空轉並降溫冷卻，或是儘快更換充電電池/為其充電
紅色	電動工具過熱或充電電池的電量耗盡	讓電動工具降溫冷卻，或是更換充電電池/為其充電
紅色閃爍	防止再起動功能已觸發	將電動工具關閉然後重新開啟，必要時請取下充電電池再重新裝入。

連線後支援的功能

搭配使用 藍牙® Low Energy Module GCY 42 時，電動工具連線後提供以下功能：

- 註冊及植入個人化設置
- 狀態檢測、發送警告訊息
- 提供一般資訊、設定工具
- 管理
- 轉速檔位的設定

如需 Bluetooth® Low Energy Module GCY 42 的相關資訊，請詳讀其操作說明書。

電動工具透過 Bluetooth® 無線技術傳送資訊 (例如溫度警告) 至行動終端裝置時，將出現智慧型手機指示器 (50)。

作業注意事項

一般性的鋸切指示

- ▶ **鋸切之前務必旋緊鎖定旋鈕 (12) 和緊固握把 (14)**。否則鋸片可能在工件中傾斜。
- ▶ **鋸切之前務必旋緊鎖定旋鈕 (12) 和夾緊桿**。否則鋸片可能在工件中傾斜。
- ▶ **進行任何鋸切之前，必須先確定鋸片不會接觸止動滑軌、活動夾鉗或其它的機件。必要時得拆除輔助擋塊，或者適度調整輔助擋塊。**
- ▶ 搭載 Bluetooth® Low Energy Module GCY 42 的電動工具配備無線介面。請您務必遵守不同場所的使用限制條件，例如在飛機或醫院內。
- ▶ **進入禁止使用 藍牙® 無線技術的區域時，藍牙® Low Energy Module GCY 42 以及鈕扣電池必須取下。**

如果工件又長又重，必須在它懸空的末端底下墊上襯墊或做好支撐。

不可以加工已被拉扯移位的工件。工件必須有一道筆直的邊，這樣才能夠貼靠在止動滑軌上。

只能鋸切符合規定的材料。

保護鋸片，以免受遭衝擊和碰撞。不可以側壓鋸片。

檢查活動防護罩的功能是否正常，移動防護罩時會不會發生磨擦。將機臂往下移時，活動防護罩必須開啟。將機臂往上移時，活動防護罩必須閉合，蓋在鋸片上，並固定在機臂的最上方位置。

標示鋸線 (請參考圖 M)

兩道雷射光束為您顯示鋸片的鋸線。這樣您可以準確地放置好待鋸切的工件，無需打開活動防護罩。

- 此外請開啟雷射光束，其做法是：不必按壓作動安全鎖 (2)，直接點觸一下起停開關(65)。

- 工件上的記號要畫在兩道雷射線之間。

提示：鋸切之前請檢查，鋸線是否仍正確顯示(參見「校正雷射」，頁 130)。因為在頻繁使用機器之後，雷射光束時可能會因震動而偏移。

操作者的位置 (請參考圖 N)

▶ **不可以站在電動工具前而與鋸片呈一直線，所站位置應要保持在鋸片的側面。**這樣可以保護身體避免受到反彈力道衝擊。

- 手掌、手指和手臂必須遠離轉動中的鋸片。
- 雙手不得橫放在機臂前方。

汰換嵌補板 (請參考圖 O)

電動工具經長時間使用後，嵌補板 (10) 可能磨損。更換損壞的嵌補板。

- 把電動工具調整至工作位置。
- 用內六角扳手 (18) 旋出螺栓 (66)，然後取出舊嵌補板。
- 裝上新的右側嵌補板。
- 利用螺栓 (66) 將嵌補板儘可能將往右鎖緊，即使有任何拉扯動作，鋸片全長都不會與嵌補板有任何接觸。
- 採取相同的步驟安裝新的左側嵌補板。

容許的工件尺寸

水平斜鋸角	垂直斜鋸角	高度 x 寬度 [mm]
0°	0°	104 x 341 45 x 400 ^{A)} 120 x 200 ^{B)} 180 x 40
45° (左)	0°	104 x 240 180 x 20
0°	45° (左)	60 x 341
0°	45° (右)	40 x 341
45°	45° (左)	60 x 240
45°	45° (右)	40 x 240

A) 使用水平定距擋塊 (高 x 寬：60 mm x 400 mm)

B) 使用垂直定距擋塊 (高 x 寬：72 mm x 50 mm)

最小工件 (= 所有隨附之可用夾鉗 (19) 夾在鋸片左側或右側的工件)：160 mm x 35 mm (長 x 寬)

最大鋸切深度 (0°/0°)：120 mm

鋸切

無需拉動的鋸切（砍鋸）（請參考圖 P）

- 將滑動臂 (34) 推到最後面，然後將它固定在這個位置上。
請確認：限深擋塊 (28) 是否已推到最裡面且移動滑動臂時校正螺絲 (27) 不會穿過開口碰觸到限深擋塊。
- 根據尺寸固定好工件。
- 依照需求，調整好所需斜鋸角（水平和／或垂直）。
- 啟動電動工具。
- 利用把手 (1) 緩慢地將滑動臂 (34) 往下拉。
- 鋸切工件時必須施力均勻。
- 關閉電動工具並等待鋸片完全停止轉動。
- 慢慢地向上提起滑動臂 (34)。

需拉動的鋸切（請參考圖 Q）

- ▶ **開機之前以及在整個鋸切過程都得牢牢地握緊把手。鋸切時要控制好滑動臂。**只要一時分神，就可能接觸曝露在外的滑動臂進而造成傷害。
- 解開滑動臂 (34) 的鎖定。
透過拉出與推回滑動臂 (34)，檢查滑動機構是否可全範圍使用。
- 根據尺寸固定好工件。
- 依照需求，調整好所需斜鋸角（水平和／或垂直）。
- 利用把手 (1) 將滑動臂 (34) 拉離止動滑軌 (7)，直到鋸片位於工件前方。
- 啟動電動工具。
- 利用把手 (1) 緩慢地將滑動臂 (34) 往下拉。
- 現在把滑動臂 (34) 推向止動滑軌 (7)，並施力均勻地鋸切工件。
- 關閉電動工具並等待鋸片完全停止轉動。
- 慢慢地向上提起滑動臂 (34)。

鋸切等長的工件（請參考圖 R）

為了方便鋸切等長的工件，您可以使用長度擋塊 (40)（配件）。

- 您可以將長度擋塊安裝在鋸台延長件 (8) 的兩側。
- 鬆開鎖定螺絲 (39) 並將長度擋塊 (40) 掀開至止付螺絲 (67) 上方。
- 將鎖定螺絲 (39) 重新旋緊。
- 將鋸台延長件 (8) 調整至所需長度。

調整限深擋塊（鋸切凹槽）（請參考圖 S）

鋸切凹槽或使用定距擋塊時，必須調整限深擋塊。

- 將限深擋塊 (28) 往外翻轉。
- 從把手 (1) 處將滑動臂 (34) 翻轉至所需位置。
- 扭轉校正螺絲 (27)，讓螺絲末端碰觸到限深擋塊 (28)。
- 慢慢地向上提起滑動臂 (34)。

特殊工件

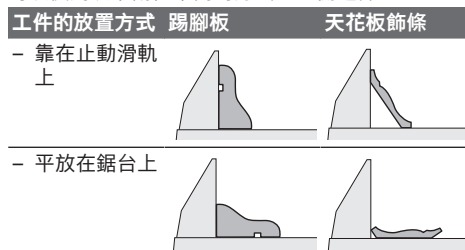
鋸切彎曲或圓形工件時必須特別小心，千萬要固定好工件，不可以讓工件滑動。在鋸線上，工件、止

動滑軌與鋸台三者必須緊靠在一起，之間不可以存在任何空隙。

如有必要，必須製作特殊固定裝置。

加工側邊條

可以使用以下兩種不同的方式加工側邊條：



接下來可以根據側邊條的寬度，選擇需拉動的鋸切方式或無需拉動的鋸切方式。

一律要先在廢木上測試調整好的斜鋸角（水平和／或垂直）。

檢查和調整基本設定

為確保精準鋸切，頻繁使用之後必須檢查電動工具的基本設定，必要時須適度調整。

檢查時不但要具備足夠的經驗，而且得使用特殊工具。

博世客戶服務中心能夠既快速又可靠地執行這項工作。

校正雷射

提示：若要測試雷射功能，電動工具必須連接電源。

▶ **校正雷射時（例如移動機臂時）千萬不可按壓起停開關。**不小心啟動電動工具可能造成人員受傷。

- 把電動工具調整至工作位置。
- 將鋸台 (42) 轉至 0° 刻槽 (15)。必須可感覺到撥桿 (13) 卡入刻槽。

檢查（請參考圖 T1）

- 在工件上畫一條筆直鋸線。
- 利用把手 (1) 緩慢地將滑動臂 (34) 往下拉。
- 調整工件，讓鋸片上的鋸齒靠在鋸線上。
- 握住工件讓它保持在這個位置，並再度慢慢地向上提起滑動臂。
- 請確實夾緊工件。
- 請您利用開關 啟動雷射光束。

即使在放下滑動臂時，投射在工件上鋸線兩側的雷射光束，必須和整段鋸線等距平行。

調整（請參考圖 T2）

1. 調整右側雷射光束：
 - 使用內六角扳手 (18) 轉動右側調整螺絲 (68)，讓右側雷射光束與工件上畫出的整段鋸線齊平。此時，左側雷射光束將隨之移動。
 - 逆時針旋轉時，雷射光束會由左向右移動。順時針旋轉時，雷射光束會由右向左移動。
2. 調整左側雷射光束：

- 使用內六角扳手 (18) 轉動左側調整螺栓 (68)，讓左側雷射光束與工件上畫出的鋸線保持相同距離，和右側雷射光束一樣。

逆時針旋轉時，雷射光束會由左向右移動。順時針旋轉時，雷射光束會由右向左移動。

設定垂直方向的 0° 基本斜鋸角

- 把電動工具調整在工作位置上。
- 將鋸台 (42) 轉至 0° 刻槽 (15)。必須可感覺到撥桿 (13) 卡入刻槽。

檢查 (請參考圖 U1)

- 請將量角規設為 90°，然後將它放置到鋸台 (42) 上。

量角規的柄部必須全長與鋸片 (44) 齊平。

調整 (請參考圖 U2)

- 鬆開緊固握把 (14)。
- 鬆開兩個調整螺栓 (69) (至少旋轉 1 圈)，此時要使用套筒扳手 (10 mm)。
- 用內六角扳手 (4 mm) (17) 鬆開調整螺栓 (71) (約 3 圈)。
- 用內六角扳手 (4 mm) (17) 旋入或旋出調整螺栓 (70)，讓量角規的柄部全長與鋸片齊平。
- 將緊固握把 (14) 重新旋緊。然後先重新旋緊調整螺栓 (71)，再重新旋緊調整螺栓 (69)。

調整後，若角度指示器 (37) 和 (21) 未與刻度尺 (36) 的 0° 記號呈一直線，請用十字螺絲起子鬆開角度指示器的固定螺栓，將角度指示器對準 0° 記號。

調整垂直方向的 45° 基本斜鋸角 (左側)

- 把電動工具調整在工作位置上。
- 將鋸台 (42) 轉至 0° 刻槽 (15)。必須可感覺到撥桿 (13) 卡入刻槽。
- 將左側活動式止動滑軌 (6) 拉至最外側。
- 鬆開緊固握把 (14) 並從把手 (1) 處將滑動臂往左翻轉到底 (45°)。

檢查 (請參考圖 V1)

- 請將量角規設為 45°，然後將它放置到鋸台 (42) 上。

量角規的柄部必須全長與鋸片 (44) 齊平。

調整 (請參考圖 V2)

- 用開口扳手 (8 mm) 旋入或旋出調整螺栓 (72)，讓量角規的柄部全長與鋸片齊平。
- 將緊固握把 (14) 重新旋緊。

調整後，若角度指示器 (37) 和 (21) 未與刻度尺 (36) 的 45° 記號呈一直線，請先再檢查一次垂直斜鋸角和角度指示器的 0° 設定。然後再重新調整一次垂直 45° 斜鋸角。

調整垂直方向的 45° 基本斜鋸角 (右側)

- 把電動工具調整在工作位置上。
- 將鋸台 (42) 轉至 0° 刻槽 (15)。必須可感覺到撥桿 (13) 卡入刻槽。
- 將右側活動式止動滑軌 (6) 拉至最外側。
- 鬆開緊固握把 (14)。

- 從把手 (1) 處將滑動臂從 0° 位置略微往左傾斜，轉動旋鈕 (43)，直到看見右側垂直斜鋸角範圍。

- 從把手 (1) 處將滑動臂往右翻轉到底 (45°)。

檢查 (請參考圖 W1)

- 請將量角規設為 135°，然後將它放置到鋸台 (42) 上。

量角規的柄部必須全長與鋸片 (44) 齊平。

調整 (請參考圖 W2)

- 用開口扳手 (8 mm) 旋入或旋出調整螺栓 (73)，讓量角規的柄部全長與鋸片齊平。
- 將旋轉固定鈕 (14) 重新扭緊。

調整後，若角度指示器 (37) 和 (21) 未與刻度尺 (36) 的 45° 記號呈一直線，請先再檢查一次垂直斜鋸角和角度指示器的 0° 設定。然後再重新調整一次垂直 45° 斜鋸角。

校準水平斜鋸角度度尺

- 把電動工具調整在工作位置上。
- 將鋸台 (42) 轉至 0° 刻槽 (15)。必須可感覺到撥桿 (13) 卡入刻槽。

檢查 (請參考圖 X1)

- 請將量角規設為 90°，然後將它放置到止動滑軌 (7) 與鋸片 (44) 之間的鋸台 (42) 上。

量角規的柄部必須全長與鋸片 (44) 齊平。

調整 (請參考圖 X2)

- 用內六角扳手 (4 mm) (17) 將四顆調整螺栓 (74) 全部鬆開，轉動鋸台 (42) 及刻度尺 (41)，使量角規的柄部全長與鋸片齊平。
- 再度旋緊螺栓。

調整後，若角度指示器 (64) 未與刻度尺 (41) 的 0° 記號呈一直線，請用十字螺絲起子鬆開螺栓 (75)，將角度指示器對準 0° 記號。

調整緊固握把的夾力 (14) (請參考圖 Y)

緊固握把 (14) 的夾力可再進行調整。

檢查

- 不管是設定在哪一個垂直斜鋸角上，緊固握把的夾緊力必須能夠緊緊地固定好滑動臂。

調整

- 鬆開緊固握把 (14)。
- 用套筒扳手 (17 mm) 沿逆時針方向旋轉調整螺栓 (76) 即可將夾力調弱，或沿順時針旋轉即可提高夾力。
- 調整垂直斜鋸角、重新旋緊緊固握把 (14)，並檢查夾力是否如您所需。

搬運 (請參考圖 Z)

搬運電動工具之前必須先執行以下步驟：

- 將滑動臂 (34) 推到最後面，然後將它固定在這個位置上。
- 請確認：限深擋塊 (28) 是否已推到最裡面且移動滑動臂時校正螺栓 (27) 不會穿過開口碰觸到限深擋塊。
- 將滑動臂往下拉至，搬運固定裝置 (35) 能夠推至最內側的程度
- 將鋸台延長件 (8) 完全往內推到底。



- 調整 0° 垂直斜鋸角並旋緊握把 (14)。
- 將鋸台 (42) 往左轉到底，然後旋緊鎖定旋鈕 (12)。
- 拆除所有無法固定在電動工具上的配件。
- 搬運時必須儘可能把不使用的鋸片放置在密封盒子中。
- 請抓握鋸台側邊的把手槽 (16) 以便進行搬運。
- ▶ 搬運時僅可抓握搬運裝置，切勿從防護裝置、滑動臂或把手提起電動工具。

維修和服務

保養與清潔

- ▶ 在電動工具上進行任何維護的工作（例如維修，更換工具等）以及搬運和儲存電動工具之前，都必須從電動工具中取出充電電池。若是不小心觸動起停開關，可能造成人員受傷。
- ▶ 電動工具和通風口都必須保持清潔，這樣才能夠提高工作品質和安全性。

活動防護罩必須能夠自由來回擺動，並且要能夠自動關閉，所以防護罩的四周必須隨時保持清潔。

每次工作結束後都要使用壓縮空氣或軟刷清除機器上的灰塵和鋸屑。

定期清潔滑輪 (20)。

配件

	產品機號
集塵袋	1 609 B05 010
工作台 GTA 2500 W	0 601 B12 100
工作台 GTA 2500 Compact	0 601 B12 400
工作台 GTA 2600	0 601 B12 300
工作台 GTA 3800	0 601 B24 000

3 601 M43 000：適用於木材與木板、嵌板和木條的鋸片

Standard for Wood(木用標準款)	2 608 837 741
305 x 2.2/1.6 x 30 mm，40 個鋸齒	

Standard for Wood	2 608 837 742
305 x 2.2/1.6 x 30 mm，60 個鋸齒	

Standard for Wood	2 608 837 744
305 x 2.2/1.6 x 30 mm，96 個鋸齒	

Expert for Wood(木用專業款)	2 608 644 527
305 x 2.2/1.6 x 30 mm，42 個鋸齒	

Expert for Wood	2 608 644 528
305 x 2.2/1.6 x 30 mm，60 個鋸齒	

Expert for Wood	2 608 644 529
305 x 2.2/1.6 x 30 mm，96 個鋸齒	

產品機號

3 601 M43 000：鋁材專用鋸片

Standard for Aluminium(鋁材用標準款) 2 608 837 782

305 x 2.4/1.8 x 30 mm，96 個鋸齒

Expert for Aluminium(鋁材用專業款) 2 608 644 547

305 x 2.4/1.8 x 30 mm，96 個鋸齒

3 601 M43 000：纖維水泥板專用鋸片

Expert for Fibre Cement(纖維水泥板專業款) 2 608 644 559

305 x 2.2/1.6 x 30 mm，8 個鋸齒

顧客服務處和顧客諮詢中心

本公司顧客服務處負責回答有關本公司產品的維修、維護和備用零件的問題。以下的網頁中有分解圖和備用零件相關資料：www.bosch-pt.com 如果對本公司產品及其配件有任何疑問，博世應用諮詢小組很樂意為您提供協助。當您需要諮詢或訂購備用零件時，請務必提供本產品型號銘牌上 10 位數的產品機號。

台灣

台灣羅伯特博世股份有限公司
建國北路一段90 號6 樓
台北市10491
電話: (02) 7734 2588
傳真: (02) 2516 1176
www.bosch-pt.com.tw

制造商地址:

Robert Bosch Power Tools GmbH
羅伯特· 博世電動工具有限公司
70538 Stuttgart / GERMANY
70538 斯圖加特/ 德國

以下更多客戶服務處地址：

www.bosch-pt.com/serviceaddresses

搬運

隨貨附上的鋰離子充電電池受危險物品法的規範。使用者無須另外使用保護包裝便可運送該充電電池。

但是如果將它交由第三者運送（例如：寄空運或委託運輸公司），則應遵照包裝與標示的相關要求。此時必須向危險物品專家請教有關寄送危險物品的相關事宜。

確定充電電池的外殼未受損後，才可以寄送充電電池。用膠帶貼住裸露的接點並妥善包裝充電電池，不可以讓充電電池在包裝材料中晃動。同時也應留意各國相關法規。

廢棄物處理



必須以符合環保的方式，將損壞的電動工具、充電電池、配件和包裝材料進行回收再利用。



不可以把電動工具和充電電池／拋棄式電池丟入一般家庭垃圾中！

充電電池／拋棄式電池：

鋰離子：

請注意「搬運」段落中的指示（參見「搬運」，頁 132）。

ไทย

คำเตือนเพื่อความปลอดภัย

คำเตือนเพื่อความปลอดภัยทั่วไปในการใช้เครื่องมือไฟฟ้า

คำเตือน อ่านคำเตือนเพื่อความปลอดภัย คำแนะนำ ภาพประกอบ และข้อมูล

จำเพาะทั้งหมดที่จัดส่งมาพร้อมกับเครื่องมือไฟฟ้า

การไม่ปฏิบัติตามคำแนะนำทั้งหมดที่ระบุไว้ด้านล่างนี้อาจทำให้ถูกไฟฟ้าดูด เกิดไฟไหม้ และ/หรือได้รับบาดเจ็บอย่างร้ายแรง

เก็บรักษาคำเตือนและคำสั่งทั้งหมดสำหรับเปิดอ่านในภายหลัง

คำว่า "เครื่องมือไฟฟ้า" ในคำเตือนหมายถึง เครื่องมือไฟฟ้าของท่านที่ทำงานด้วยพลังงานไฟฟ้าจากแหล่งจ่ายไฟหลัก (มีสายไฟฟ้า) และเครื่องมือไฟฟ้าที่ทำงานด้วยพลังงานไฟฟ้าจากแบตเตอรี่ (ไร้สาย)

ความปลอดภัยในสถานที่ทำงาน

► รักษาสถานที่ทำงานให้สะอาดและมีไฟส่องสว่างดี สถานที่ที่มีมืดหรือรกรุงรังนำมาซึ่งอุบัติเหตุ

► อย่าใช้เครื่องมือไฟฟ้าทำงานในสภาพบรรยากาศที่จุดติดไฟได้ เช่น ในที่มีมีของเหลวไวไฟ ก๊าซ หรือฝุ่น เมื่อใช้เครื่องมือไฟฟ้าจะเกิดประกายไฟซึ่งอาจจุดฝุ่นหรือไอให้ลุกเป็นไฟได้

► ขณะใช้เครื่องมือไฟฟ้าทำงาน ต้องกั้นเด็กและผู้ยืนดูให้ออกห่าง

การหันเหความสนใจอาจทำให้ท่านขาดการควบคุมเครื่องไ้

ความปลอดภัยเกี่ยวกับไฟฟ้า

- ปลั๊กของเครื่องมือไฟฟ้าต้องเหมาะสมพอดีกับเต้าเสียบ อย่าตัดแปลงปลั๊กไม่ว่าในลักษณะใดๆ อย่างเด็ดขาด อย่าใช้ปลั๊กฟ่วงต่อใดๆ กับเครื่องมือไฟฟ้าที่มีสายดิน ปลั๊กที่ไม่ตัดแปลงและเต้าเสียบที่เข้ากันช่วยลดความเสี่ยงจากการถูกไฟฟ้าดูด
- หลีกเลี่ยงอย่าให้ร่างกายสัมผัสกับพื้นผิวที่ต่อสายดินหรือลงกราวด์ไว้ เช่น ท่อ เครื่องทำความร้อน เต้า และตู้เย็น จะเสี่ยงอันตรายจากการถูกไฟฟ้าดูดมากขึ้นหากกระแสไฟฟ้าวิ่งผ่านร่างกายของท่านลงดิน
- อย่าให้เครื่องมือไฟฟ้าถูกฝนหรืออยู่ในสภาพเปียกชื้น หากน้ำเข้าในเครื่องมือไฟฟ้า จะเพิ่มความเสี่ยงจากการถูกไฟฟ้าดูด
- อย่าใช้สายไฟฟ้าในทางที่ผิด อย่าใช้สายไฟฟ้าเพื่อยก ding หรือถอดปลั๊กเครื่องมือไฟฟ้า กั้นสายไฟฟ้าออกจากความร้อน น้ำมัน ขอบแหลมคม หรือชิ้นส่วนที่เคลื่อนที่ สายไฟฟ้าที่ชำรุดหรือพันกันยุ่งเพิ่มความเสี่ยงจากการถูกไฟฟ้าดูด
- เมื่อใช้เครื่องมือไฟฟ้าทางานกลางแจ้ง ให้ใช้สายไฟต่อที่เหมาะสมสำหรับการใช้งานกลางแจ้ง การใช้สายไฟต่อที่เหมาะสมสำหรับงานกลางแจ้งช่วยลดอันตรายจากการถูกไฟฟ้าดูด
- หากไม่สามารถหลีกเลี่ยงการใช้เครื่องมือไฟฟ้าทำงานในสถานที่เปียกชื้นได้ ให้ใช้สวิตซ์ตัดวงจรเมื่อเกิดการรั่วไหลของไฟฟ้าจากสายดิน (RCD) การใช้สวิตซ์ตัดวงจรเมื่อเกิดการรั่วไหลของไฟฟ้าจากสายดินช่วยลดความเสี่ยงต่อการถูกไฟฟ้าดูด

ความปลอดภัยของบุคคล

- ท่านต้องอยู่ในสภาพเตรียมพร้อม ระมัดระวังในสิ่งที่ท่านกำลังทำอยู่ และมีสติขณะใช้เครื่องมือไฟฟ้าทำงาน อย่าใช้เครื่องมือไฟฟ้าขณะที่ท่านกำลังเหนื่อย หรืออยู่ภายใต้การครอบงำของฤทธิ์ของยาเสพติด แอลกอฮอล์ และยา เมื่อใช้เครื่องมือไฟฟ้าทำงานในช่วงเวลาที่ท่านขาดความเอาใจใส่อาจทำให้บุคคลบาดเจ็บอย่างรุนแรงได้
- ใช้อุปกรณ์ปกป้องร่างกาย สวมแว่นตานิรภัยกันแสง อุปกรณ์ปกป้อง เช่น หน้ากากกันฝุ่น รองเท้ากันลื่น หมวกแข็ง หรือประภททุกชิ้นเสี่ยงดังที่ไปตามความเหมาะสมกับสภาพการทำงาน จะลดการบาดเจ็บทางร่างกาย
- ป้องกันการติดเครื่องโดยไม่ตั้งใจ ตรวจสอบให้แน่ใจว่าสวิตซ์อยู่ในตำแหน่งปิดก่อนเชื่อมต่อเข้ากับแหล่ง

- จ่ายไฟ และ/หรือแบตเตอรี่แพ็ค ยกหรือถือเครื่องมือ การถือเครื่องโดยใช้นิ้วหัวที่สวิตช์ หรือเสียบปลั๊กไฟฟ้าขณะสวิตช์เปิดอยู่ อาจนำไปสู่อุบัติเหตุที่ร้ายแรงได้
- ▶ นำเครื่องมือปรับแต่งหรือประแจปากตายออกก่อนเปิดสวิตช์เครื่องมือไฟฟ้า เครื่องมือหรือประแจปากตายที่วางอยู่กับส่วนของเครื่องที่กำลังหมุนจะทำให้บุคคลบาดเจ็บได้
 - ▶ อย่าเอื้อมไกลเกินไป ดึงท้ายขึ้นที่มั่นคงและวางน้ำหนักให้สมดุลตลอดเวลา ในลักษณะนี้ท่านสามารถควบคุมเครื่องมือไฟฟ้าในสถานการณ์ที่ไม่คาดคิดได้ดีกว่า
 - ▶ แต่งกายอย่างเหมาะสม อย่าใส่เสื้อผ้าหลวมหรือสวมเครื่องประดับ เหนวมและเสื้อผ้าออกห่างจากชิ้นส่วนที่เคลื่อนที่ เสื้อผ้าหลวม เครื่องประดับ และผมยาวอาจเข้าไปติดในชิ้นส่วนที่เคลื่อนที่
 - ▶ หากเครื่องมือไฟฟ้ามีข้อเชื่อมต่อกับเครื่องดูดฝุ่นหรือเครื่องเก็บผง ให้ตรวจสอบให้แน่ใจว่าได้เชื่อมต่อและใช้งานอย่างถูกต้อง การใช้อุปกรณ์ดูดฝุ่นช่วยลดอันตรายที่เกิดจากฝุ่นได้
 - ▶ เมื่อใช้งานเครื่องมือยंत्रครั้งจะเกิดความคุ้นเคย อย่าให้ความคุ้นเคยทำให้ท่านเกิดความชะล่าใจและละเลยกฎเกณฑ์ตามความปลอดภัยในการใช้งานเครื่อง การทำงานอย่างไม่ระมัดระวังอาจทำให้เกิดการบาดเจ็บอย่างร้ายแรงภายในเสี้ยววินาที

การใช้และการดูแลรักษาเครื่องมือไฟฟ้า

- ▶ อย่างผืนกำลังเครื่องมือไฟฟ้า ใช้เครื่องมือไฟฟ้าที่ถูกต้องตรงตามลักษณะงานของท่าน เครื่องมือไฟฟ้าที่ถูกต้องจะทำงานได้ดีกว่าและปลอดภัยกว่าในระดับสมรรถภาพที่ออกแบบไว้
- ▶ อย่าใช้เครื่องมือไฟฟ้าถ้าสวิตช์ไม่สามารถเปิดปิดได้ เครื่องมือไฟฟ้าที่ไม่สามารถควบคุมการเปิดปิดด้วยสวิตช์ได้ เป็นเครื่องมือไฟฟ้าที่ไม่ปลอดภัยและต้องส่งซ่อมแซม
- ▶ ก่อนปรับแต่งเครื่อง เปลี่ยนอุปกรณ์ประกอบ หรือเก็บเครื่องเข้าที่ ต้องถอดปลั๊กออกจากแหล่งจ่ายไฟ และ/หรือถอดแบตเตอรี่แพ็คออกจากเครื่องมือไฟฟ้าหากถอดออกได้ มาตรการป้องกันเพื่อความปลอดภัยนี้ช่วยลดความเสี่ยงจากการติดเครื่องโดยไม่ตั้งใจ
- ▶ เมื่อเลิกใช้งานเครื่องมือไฟฟ้า ให้เก็บเครื่องมือในที่ที่เด็กหยิบไม่ถึง และไม่อนุญาตให้บุคคลที่ไม่คุ้นเคยกับเครื่องหรือบุคคลที่ไม่ได้อ่านคำแนะนำเหล่านี้ใช้เครื่องมือไฟฟ้าเป็นของอันตรายหากตกอยู่ในมือของผู้ใช้ที่ไม่ได้รับการฝึกฝน

- ▶ บำรุงรักษาเครื่องมือไฟฟ้าและอุปกรณ์ประกอบ ตรวจ สอบชิ้นส่วนที่เคลื่อนที่ว่าวางไม่ตรงแนวหรือติดขัดหรือไม่ ตรวจหาการแตกหักของชิ้นส่วนและสภาพอื่นใดที่อาจมีผลต่อการทำงานของเครื่องมือไฟฟ้า หากชำรุดต้องส่งเครื่องมือไฟฟ้าไปซ่อมแซมก่อนใช้งาน อุบัติเหตุหลายอย่างเกิดขึ้นเนื่องจากดูแลรักษาเครื่องมือไม่ดี
- ▶ รักษาเครื่องมือตัดให้คมและสะอาด หากบำรุงรักษาเครื่องมือที่มีขอบตัดแหลมคมอย่างถูกต้องจะสามารถตัดได้สั้นไม่ติดขัดและควบคุมได้ง่ายกว่า
- ▶ ใช้เครื่องมือไฟฟ้า อุปกรณ์ประกอบ เครื่องมือ และอุปกรณ์อื่นๆ ตามคำแนะนำเหล่านี้ โดยคำนึงถึงเงื่อนไขการทำงานและงานที่จะทำ การใช้เครื่องมือไฟฟ้าทำงานที่ต่างไปจากวัตถุประสงค์การใช้งานของเครื่อง อาจนำไปสู่สถานการณ์ที่เป็นอันตรายได้
- ▶ ดูแลตามจับและพื้นผิวจับให้แห้ง สะอาด และปราศจากคราบน้ำมันและจาระบี ตามจับและพื้นผิวจับที่ลื่นทำให้หยิบจับได้ไม่ปลอดภัย และไม่สามารถควบคุมเครื่องมือในสถานการณ์ที่ไม่คาดคิด

การใช้และการดูแลรักษาเครื่องที่ใช้แบตเตอรี่

- ▶ ชาร์จไฟใหม่ด้วยเครื่องชาร์จที่บริษัทผู้ผลิตระบุไว้เท่านั้น เครื่องชาร์จที่เหมาะสมสำหรับชาร์จแบตเตอรี่แพ็คประเภทหนึ่ง หากนำไปชาร์จแบตเตอรี่แพ็คประเภทอื่น อาจเกิดไฟไหม้ได้
- ▶ ใช้เครื่องมือไฟฟ้าเฉพาะกับแบตเตอรี่แพ็คที่กำหนดไว้เท่านั้น การใช้แบตเตอรี่แพ็คประเภทอื่นเสี่ยงต่อการเกิดไฟไหม้หรือบาดเจ็บ
- ▶ เมื่อไม่ใช้งานแบตเตอรี่แพ็ค ให้เก็บไว้ห่างวัตถุที่เป็นโลหะอื่นๆ เช่น คลิปหนีบกระดาษ เหรียญ กุญแจ ตะปู สกรู หรือวัตถุที่เป็นโลหะขนาดเล็กอื่นๆ ที่สามารถเชื่อมต่อขั้วหนึ่งไปยังอีกขั้วหนึ่งได้ การลัดวงจรของขั้วแบตเตอรี่อาจทำให้เกิดการไหม้หรือฟลุ๊กได้
- ▶ หากใช้แบตเตอรี่อย่างอาจมีของเหลวไหลออกมาจากแบตเตอรี่ได้ ให้หลีกเลี่ยงการสัมผัส หากสัมผัสโดยบังเอิญ ให้ใช้น้ำล้าง หากของเหลวเข้าตา ให้ขอความช่วยเหลือจากแพทย์ด้วย ของเหลวที่ไหลออกมาจากแบตเตอรี่อาจทำให้เกิดอาการคันหรือแสบผิวหนังได้
- ▶ อย่าใช้แบตเตอรี่แพ็คหรือเครื่องมือที่ชำรุดหรือดัดแปลง แบตเตอรี่ที่ชำรุดหรือดัดแปลงอาจแสดงอาการที่ไม่สามารถคาดเดาได้ ส่งผลให้เกิดไฟไหม้ ระเบิด หรือความเสี่ยงต่อการได้รับบาดเจ็บ

- ▶ อย่าให้แบตเตอรี่แพ็คหรือเครื่องมือสัมผัสไฟหรืออุณหภูมิที่สูงเกินไป หากสัมผัสไฟหรืออุณหภูมิที่สูงกว่า 130 °C อาจทำให้เกิดการระเบิดได้
- ▶ ปฏิบัติตามคำแนะนำเกี่ยวกับการชาร์จทั้งหมด และต้องไม่ชาร์จแบตเตอรี่แพ็คหรือเครื่องมือ นอกช่วงอุณหภูมิที่กำหนดในคำแนะนำ การชาร์จแบตเตอรี่อย่างไม่ถูกวิธีหรือนอกช่วงอุณหภูมิที่กำหนด อาจทำให้แบตเตอรี่เสียหายและเพิ่มความเสี่ยงต่อการเกิดไฟไหม้

การบริการ

- ▶ ส่งเครื่องมือไฟฟ้าของท่านเข้ารับบริการจากช่างซ่อมที่มีคุณสมบัติเหมาะสม โดยใช้อะไหล่ที่เหมือนกันเท่านั้น ในลักษณะนี้ท่านจะแน่ใจได้ว่าเครื่องมือไฟฟ้าอยู่ในสภาพที่ปลอดภัย
- ▶ อย่าบำรุงรักษาแบตเตอรี่แพ็คที่ชำรุดอย่างเด็ดขาด ต้องส่งให้บริษัทผู้ผลิตหรือศูนย์บริการที่ได้รับอนุญาตทำการบำรุงรักษาแบตเตอรี่แพ็คเท่านั้น

คำเตือนเพื่อความปลอดภัยสำหรับเลื่อยตัดดอก

- ▶ เลื่อยตัดดอกใช้สำหรับตัดไม้หรือผลิตภัณฑ์คล้ายไม้ เครื่องนี้ไม่สามารถใช้กับลวดขัดเพื่อตัดดอกสำหรับตัดวัสดุประเภทเหล็ก เช่น แท่งเหล็ก ก้านเหล็ก สลักเกลียว และอื่นๆ ผู้ที่มีสารขัดถูทำให้ชิ้นส่วนที่เคลื่อนไหวได้ เช่น มอเตอร์ป้องกันกลาง เกิดติดขัดประกายไฟจากการตัดที่มีสารขัดถูจะเผาไหม้กระบังป้องกันกลาง เฟลตแทรก และชิ้นส่วนพลาสติกอื่นๆ
- ▶ หากเป็นไปไม่ได้ให้ใช้แคลมป์หนีบชิ้นงานไว้ ในกรณีที่ใช้มือจับชิ้นงาน ท่านต้องเอามือของท่านออกห่างจากใบเลื่อยด้านใดด้านหนึ่งอย่างน้อย 100 มม. อย่าใช้เครื่องเลื่อยนี้ตัดชิ้นงานที่มีขนาดเล็กเกินไปที่ไม่สามารถหนีบด้วยแคลมป์หรือจับด้วยมือได้อย่างแน่นอน หากมือของท่านอยู่ใกล้ใบเลื่อยเกินไป จะเพิ่มความเสี่ยงต่อการได้รับบาดเจ็บจากการสัมผัสใบเลื่อย
- ▶ ชิ้นงานต้องอยู่กับที่ และถูกยึดหนีบหรือจับทาบกับแผ่นกันและโต๊ะ อย่าป้อนชิ้นงานเข้าไปในใบเลื่อยหรือตัดด้วย "มือเปล่า" อย่างเด็ดขาด ชิ้นงานที่หลุดหลวมหรือเคลื่อนไหวได้จะถูกเหวี่ยงออกมาด้วยความเร็วสูงและทำให้ได้รับบาดเจ็บได้
- ▶ ดันเครื่องเลื่อยผ่านชิ้นงาน อย่าดึงเครื่องเลื่อยผ่านชิ้นงาน สำหรับการตัด ไทยกหัวเครื่องเลื่อยขึ้น และดึงให้อยู่เหนือชิ้นงานโดยไม่ทำการตัด จากนั้นจึงเปิดสวิตช์มอเตอร์ กดหัวเครื่องเลื่อยลง และดันเครื่องเลื่อยผ่านชิ้นงาน การตัดในจังหวะดึงมีแนวโน้มที่จะทำให้ใบเลื่อยป็นขึ้นไปตามบนของชิ้นงาน และเหวี่ยงชุดใบเลื่อยเข้าหาผู้ใช้งานเครื่องอย่างรุนแรง

- ▶ อย่าไขว้มือของท่านเหนือเส้นที่ต้องการตัด ทั้งตรงด้านหน้าและด้านหลังของใบเลื่อย การจับชิ้นงานด้วย "การไขว้มือ" คือ จับชิ้นงานที่อยู่ด้านขวาของใบเลื่อยด้วยมือซ้าย หรือในทางกลับกัน เป็นการกระทำที่อันตรายอย่างยิ่ง
- ▶ ขณะใบเลื่อยกำลังหมุน อย่าเอามือข้างใดข้างหนึ่งเอื้อมไปด้านหลังแผ่นกันภายในระยะ 100 มม. จากด้านใดด้านหนึ่งของใบเลื่อยเพื่อหีบเศษไม้หรือเพื่อเหตุผลอื่นใดก็ตาม ท่านอาจสังเกตเห็นระยะประชิดของใบเลื่อยที่กำลังหมุนกับมือของท่านได้ไม่ชัดเจน และท่านอาจได้รับบาดเจ็บสาหัสได้
- ▶ ตรวจสอบชิ้นงานของท่านก่อนทำการตัด หากชิ้นงานบิดหรือโค้งงอ ให้ยึดชิ้นงานโดยจับส่วนที่โค้งออกด้านนอกหันเข้าหาแผ่นกัน ตรวจสอบให้แน่ใจเสมอว่าตามแนวเส้นตัดไม่มีช่องว่างระหว่างชิ้นงาน แผ่นกันและโต๊ะ ชิ้นงานที่แอ่นหรือโค้งงออาจบิดหรือเคลื่อนที่ได้ และอาจส่งผลให้ติดขัดอยู่ในใบเลื่อยที่กำลังหมุนในขณะที่ตัด ต้องไม่มีตะปูหรือวัตถุแปลกปลอมในชิ้นงาน
- ▶ อย่าใช้เครื่องเลื่อยจนกว่าจะนำเครื่องมือทั้งหมด เศษไม้ และอื่นๆ ออกจากโต๊ะแล้ว เหลือไว้แค่เฉพาะชิ้นงานเท่านั้น ชิ้นเศษขนาดเล็กหรือชิ้นไม้ที่หลุดหลวมหรือวัตถุอื่นใดที่ไปสัมผัสกับใบเลื่อยที่หมุนอยู่ อาจติดตัวออกมาด้วยความเร็วสูง
- ▶ ตัดเพียงหนึ่งชิ้นงานในแต่ละครั้ง ชิ้นงานที่ซ้อนกันหลายๆ ชิ้นจะไม่สามารถยึดหรือค้ำยันได้อย่างแน่นอน และอาจติดขัดบนใบเลื่อยหรือเคลื่อนที่ขณะตัด
- ▶ ก่อนใช้งาน ต้องตรวจสอบให้แน่ใจว่าได้ติดตั้งหรือวางเลื่อยตัดดอกไว้บนพื้นผิวทำงานที่มั่นคงและราบเสมอกัน พื้นผิวทำงานที่มั่นคงและราบเสมอกันช่วยลดความเสี่ยงจากการลื่นคลอนของเลื่อยตัดดอก
- ▶ วางแผนการทำงานของท่าน ทุกครั้งที่ท่านเปลี่ยนการตั้งค่ามุมเอียงหรือมุมบาก ต้องตรวจสอบให้แน่ใจว่าได้ปรับตั้งแผ่นกันแบบปรับได้เพื่อหนีบชิ้นงานอย่างถูกต้องแล้ว และจะ ไม่กีดขวางใบเลื่อยหรือระบบป้องกันเมื่อไม่เปิดสวิตช์เครื่อง "ON" และไม่มีชิ้นงานวางบนโต๊ะ ให้จำลองการตัดโดยเคลื่อนใบเลื่อยไปจนสุด ทั้งนี้เพื่อให้มั่นใจว่าจะไม่มีสิ่งกีดขวางหรืออันตรายจากการตัดถูกแผ่นกัน

- ▶ สำหรับชิ้นงานที่มีขนาดกว้างกว่าหรือยาวกว่าพื้นผิวด้านบนของโต๊ะ ต้องจัดให้มีการหนุนค้ำอย่างเพียงพอ เช่น โดยใช้ส่วนขยายโต๊ะ มารองเลื่อย และอื่นๆ ชิ้นงานที่มีขนาดกว้างกว่าหรือยาวกว่าใบเลื่อยตัดดอกอาจพลิกคว่ำหากไม่ได้รับการหนุนค้ำอย่างมั่นคง หากชิ้นส่วนที่ตัดออกหรือชิ้นงานพลิกคว่ำ ชิ้นงานอาจกระบังป้องกันล่างขึ้นหรือถูกใบเลื่อยที่กำลังหมุนเหวี่ยงออก


- ▶ **อย่าใช้บุคคลอื่นทำหน้าที่แทนส่วนขยายโต๊ะหรือเป็นตัวเสริมเติม** การหมุนชิ้นงานอย่างไม่มั่นคงอาจทำให้ใบเลื่อยติดขัด หรือใบเลื่อยเคลื่อนที่ขณะตัด ซึ่งจะจุดรั้งตัวท่านและผู้ช่วยเข้าไปในใบเลื่อยที่กำลังหมุนได้
- ▶ **ชิ้นส่วนที่ตัดออกจะคงไม่เข้าไปติดขัดหรือถูกกดอัดกับใบเลื่อยที่กำลังหมุนอย่างเด็ดขาด** หากมีพื้นที่จำกัด ต. ย. เช่น เมื่อใช้ก้านหยุดความยาว ชิ้นส่วนที่ตัดออกอาจถูกบีบอัดกับใบเลื่อยและถูกเหวี่ยงออกมาอย่างรุนแรง
- ▶ **ใช้แคลมป์หรืออุปกรณ์ที่ออกแบบมาเพื่อยึดจับวัสดุทรงกลม เช่น ก้าน หรือท่อ ให้แน่นหนาเสมอ** ก้านกลมมีแนวโน้มที่จะกลิ้งออกไปในขณะที่ถูกตัด ทำให้ใบเลื่อย “ติดแน่น” และดึงชิ้นงานและมือของท่านเข้าไปในใบเลื่อยได้
- ▶ **ปล่อยให้ใบเลื่อยวิ่งถึงความเร็วสูงสุดก่อนและลงบนชิ้นงาน** ในลักษณะนี้จะลดความเสี่ยงจากการที่ชิ้นงานจะถูกเหวี่ยงออกไป
- ▶ **หากชิ้นงานหรือใบเลื่อยเกิดติดขัด ให้ปิดสวิทช์เลื่อยตัดองศา รอให้ชิ้นส่วนที่เคลื่อนไหวทั้งหมดหยุดนิ่งอยู่กับที่ และถอดปลั๊กไฟออกจากแหล่งจ่ายไฟ และ/หรือถอดแบตเตอรี่ที่แยกออก จากนั้นจึงเอาวัสดุที่ติดขัดออกมา** การเลื่อยชิ้นงานที่ติดขัดต่อไป อาจทำให้สูญเสียการควบคุม หรือเลื่อยตัดองศาอาจเสียหายได้
- ▶ **เมื่อตัดเสร็จแล้ว ให้ปล่อยนิวจาสวิทช์ จับหัวเครื่องเลื่อยลง และรอให้ใบเลื่อยหยุดนิ่งอยู่กับที่ก่อนเอาชิ้นงานที่ถูกตัดออกมา** การเอื้อมมือของท่านเข้าไปใกล้ใบเลื่อยที่วิ่งด้วยแรงเฉื่อยเป็นการกระทำที่อันตราย
- ▶ **จับตามจับอย่างแน่นหนาเมื่อทำการตัดที่ไม่สมบุรณ์หรือเมื่อปล่อยนิวจาสวิทช์ก่อนที่หัวเครื่องเลื่อยจะอยู่ในตำแหน่งลงอย่างสมบุรณ์** การเบรคเครื่องเลื่อยอาจทำให้หัวเครื่องเลื่อยถูกดึงลงด้านล่างอย่างกะทันหัน ทำให้เสี่ยงต่อการได้รับบาดเจ็บ
- ▶ **อย่าปล่อยคัมจับเมื่อหัวเลื่อยถึงตำแหน่งต่ำสุด** นำหัวเลื่อยกลับไปตำแหน่งบนสุดด้วยมือเสมอ อาจเกิดความเสี่ยงต่อการบาดเจ็บหากหัวเลื่อยเคลื่อนที่โดยไร้การควบคุม
- ▶ **รักษาสถานที่ทำงานให้สะอาด** การผสมผสานของวัสดุเป็นอันตรายอย่างยิ่งฝุ่นละอองโลหะอาจเผาไหม้หรือระเบิดได้
- ▶ **อย่าใช้ใบเลื่อยที่ทุ้แตกร้าว คดงอ หรือชำรุด** ใบเลื่อยที่ทุ้หรือปรับตั้งไว้ไม่ถูกต้องจะ ด้รอยตัดแคบ ทำให้มีการเสียดสีมากเกินไป ใบเลื่อยติดขัด และเกิดการตีกลับ
- ▶ **อย่าใช้ใบเลื่อยที่ทำจากเหล็กกล้ารอบสูง (High Speed Steel, HSS)** ใบเลื่อยนี้แตกง่าย
- ▶ **ใช้ใบเลื่อยที่มีขนาดและรูปทรงรูยึดที่ถูกต้องเสมอ (สี่เหลี่ยมขนมเปียกปูนหรือกลม)** ใบเลื่อยที่ไม่เข้าชุดกับ

อุปกรณ์ติดตั้งของเครื่องเลื่อยจะวิ่งไม่อยู่กึ่งกลางและทำให้สูญเสียการควบคุม

- ▶ **อย่านำเศษตกค้างจากการตัด เศษโลหะ และอื่นๆ ออกจากบริเวณตัดขณะเครื่องกำลังวิ่งอยู่** ต้องนำแขนเครื่องมือกลับไปตำแหน่งกลางก่อนเสมอ และจากนั้นจึงปิดสวิทช์เครื่อง
- ▶ **เมื่อสิ้นสุดการทำงาน อย่าสัมผัสใบเลื่อยก่อนที่ใบเลื่อยจะเย็นลง** ใบเลื่อยจะร้อนขึ้นมากขณะทำงาน
- ▶ **เมื่อแบตเตอรี่ชำรุดและนำไปใช้งานอย่างไม่ถูกต้อง อาจมีไอระเหยออกมาได้** แบตเตอรี่อาจเผาไหม้หรือระเบิดได้ให้สูดอากาศบริสุทธิ์และไปพบแพทย์ในกรณีเจ็บปวด ไอระเหยอาจทำให้ระบบหายใจระคายเคือง
- ▶ **อย่าเปิดแบตเตอรี่** อันตรายจากการลัดวงจร
- ▶ **วัตถุที่แหลมคม ต. ย. เช่น ตะปูหรือไขควง หรือแรงกระทำภายนอก อาจทำให้แบตเตอรี่เสียหายได้** สิ่งเหล่านี้ อาจทำให้เกิดการลัดวงจรภายในและแบตเตอรี่ใหม่ มีควัน ระเบิด หรือร้อนเกินไป
- ▶ **ใช้แบตเตอรี่ที่แค่เฉพาะในผลิตภัณฑ์ของผู้ผลิตเท่านั้น** ในลักษณะนี้ แบตเตอรี่แพคเกจจะได้รับการปกป้องจากการใช้งานเกินกำลังซึ่งเป็นอันตราย



ปกป้องแบตเตอรี่จากความร้อน รวมทั้ง ต. ย. เช่น จากการถูกแสงแดดส่องต่อเนื่อง จากไฟลิ่งสปริง น้ำ และความชื้น อันตรายจากการระเบิดและการลัดวงจร

- ▶ **อย่าทำให้ป้ายเตือนบนเครื่องมือไฟฟ้าลบบเลือนอย่างเด็ดขาด**
 - ▶ **เครื่องมือไฟฟ้าที่จัดส่งมาพร้อมป้ายเตือนแสงเลเซอร์ (ดูตาราง "สัญลักษณ์และความหมายของสัญลักษณ์")**
- 

อย่าเล็งลำแสงเลเซอร์ไปยังคนหรือสัตว์ และตัวท่านเองอย่าจ้องมองเข้าไปในลำแสงเลเซอร์โดยตรงหรือลำแสงเลเซอร์สะท้อน การกระทำดังกล่าวอาจทำให้คนตาพร่า ทำให้เกิดอุบัติเหตุ หรือทำให้ดวงตาเสียหายได้

- ▶ **ถ้าแสงเลเซอร์เข้าตา ต้องปิดตาและหันศีรษะออกจากลำแสงในทันที**
- ▶ **อย่าใช้อุปกรณ์รวมแสง เช่น กล้องส่องทางไกล าลา เพื่อสังเกตแหล่งกำเนิดรังสี** ท่านอาจทำให้ดวงตาของท่านเสียหายได้
- ▶ **อย่าเล็งลำแสงเลเซอร์ไปยังคนที่กำลังมองผ่านกล้องส่องทางไกลหรืออุปกรณ์อื่นที่คล้ายคลึงกัน** ท่านอาจทำให้ดวงตาของพวกเขาเสียหายได้
- ▶ **อย่าทำการเปลี่ยนแปลงใดๆ ที่อุปกรณ์เลเซอร์** ท่านสามารถใช้การตั้งค่าต่างๆ ที่อธิบายไว้ในคู่มือการใช้งานฉบับนี้ได้อย่างปลอดภัย

- ▶ **อย่าใช้แว่นสำหรับมองแสงเลเซอร์ (อุปกรณ์เสริม) เป็นแว่นนิรภัย** แว่นสำหรับมองแสงเลเซอร์ใช้สำหรับมองลำแสงเลเซอร์ให้เห็นชัดเจนยิ่งขึ้น แต่ไม่ได้ช่วยป้องกันรังสีเลเซอร์
- ▶ **อย่าใช้แว่นสำหรับมองแสงเลเซอร์ (อุปกรณ์เสริม) เป็นแว่นกันแดดหรือใส่ขั้วรถยนต์** แว่นสำหรับมองแสงเลเซอร์ไม่สามารถป้องกันรังสีอัลตราไวโอเล็ต (UV) ได้อย่างสมบูรณ์ และยังลดความสามารถในการมองเห็นสี
- ▶ **ข้อควรระวัง - การใช้อุปกรณ์ทำงานหรืออุปกรณ์ปรับเปลี่ยนอื่นๆ นอกเหนือไปจากที่ระบุไว้ในที่นี้ หรือการใช้วิธีการอื่นๆ อาจนำไปสู่การสัมผัสกับรังสีอันตรายได้**
- ▶ **อย่าใช้เลเซอร์ชนิดอื่นแทนที่เลเซอร์ที่ติดตั้งไว้แล้ว** เลเซอร์ที่ไม่เหมาะสมกับเครื่องมือไฟฟ้านี้อาจเป็นอันตรายต่อบุคคลได้
- ▶ **ระวัง! การใช้เครื่องมือไฟฟ้าพร้อม Bluetooth® อาจรบกวนอุปกรณ์และเครื่องมืออื่นๆ เครื่องบิน และอุปกรณ์ทางการแพทย์ (เช่น เครื่องกระตุ้นหัวใจ เครื่องช่วยฟัง) นอกจากนี้ยังอาจเกิดความเสียหายต่อคนและสัตว์ในบริเวณใกล้เคียงด้วย** อย่าใช้เครื่องมือไฟฟ้าพร้อม Bluetooth® ใกล้อุปกรณ์ทางการแพทย์ สถานีบริการน้ำมัน โรงงานสารเคมี พื้นที่ที่มีบรรยากาศเสี่ยงต่อการระเบิด และพื้นที่ที่มีปฏิบัติการระเบิด อย่าใช้เครื่องมือไฟฟ้าพร้อม Bluetooth® ในเครื่องบิน หลีกเลี่ยงการทำงานเป็นระยะเวลานานตรงบริเวณใกล้ร่างกายโดยตรง

เครื่องหมายข้อความ Bluetooth® และยี่ห้อเป็นเครื่องหมายการค้าจดทะเบียนและเป็นกรรมสิทธิ์ของ Bluetooth SIG, Inc. บริษัท Robert Bosch Power Tools GmbH ได้รับใบอนุญาตใช้งานเครื่องหมายข้อความ/โลโก้ดังกล่าว

สัญลักษณ์

สัญลักษณ์ต่อไปนี้มีความสำคัญต่อการใช้เครื่องมือไฟฟ้าของท่าน กรุณาจดจำสัญลักษณ์และความหมาย การแปลความสัญลักษณ์ได้ถูกต้องจะช่วยให้ท่านใช้เครื่องมือไฟฟ้าได้ดีและปลอดภัยกว่า

สัญลักษณ์และความหมายของสัญลักษณ์



รังสีเลเซอร์
อย่ามองเข้าไปโดยตรงด้วยเลนส์กล้องโทรทรรศน์ เลเซอร์ระดับที่ 1M

สัญลักษณ์และความหมายของสัญลักษณ์



เอามือออกจากบริเวณตัด
ขณะเครื่องกำลังวิ่ง
อันตรายจากการบาด
เจ็บเมื่อไปสัมผัสกับใบเลื่อย



สวมหน้ากากป้องกันฝุ่น



สวมแว่นตาป้องกันอันตราย



สวมอุปกรณ์ป้องกันเสียง การรับฟังเสียงดังอาจทำให้สูญเสียการได้ยิน



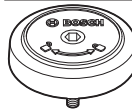
บริเวณอันตราย! เอามือ นิ้ว หรือแขนออกจากบริเวณนี้



อย่าสอดนิ้วมือของท่านระหว่างส่วนที่เคลื่อนไหวของแขนเลื่อน
อันตรายจากนิ้วมือถูกบีบอัดและได้รับบาดเจ็บมาก



สังเกตขนาดของใบเลื่อย
เส้นผ่านศูนย์กลางรูตงของเข้ากับแกนเครื่องมือโดยไม่มีช่องหลวม หากจำเป็นต้องใช้ตัวลดขนาด ให้ตรวจสอบให้แน่ใจว่าขนาดของตัวลดนั้นตรงกับความหนาใบ และเส้นผ่านศูนย์กลางรูของใบเลื่อย รวมทั้งเส้นผ่านศูนย์กลางของแกนเครื่องมือ หากเป็นไปได้ให้ใช้ตัวลดขนาดที่จัดส่งมาพร้อมกับใบเลื่อย
เส้นผ่านศูนย์กลางใบเลื่อยต้องสอดคล้องกับข้อมูลบนสัญลักษณ์



แสดงทิศทางการหมุนของนอต SDS สำหรับการขันใบเลื่อยเข้า (ทวนเข็มนาฬิกา) และการคลายใบเลื่อยออก (ตามเข็มนาฬิกา)

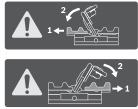


เมื่อขนย้ายเครื่อง
ให้จับเครื่องตรงตำแหน่งที่กำหนด (ด้ามจับเว้า) เท่านั้น หรือจับที่ด้ามจับสำหรับขนย้าย

สัญลักษณ์และความหมายของสัญลักษณ์



อย่าหิ้วเครื่องมือไฟฟ้าตรงด้ามจับของแขนเลื่อนอย่างเด็ดขาด



สำหรับมุมเอียงในแนวตั้ง ต้องปรับส่วนขยายแผ่นกันทางซ้ายหรือทางขวา หรือถอดออกทั้งหมด



เมื่อใช้ร่วมกับแบตเตอรี่ ProCORE 18V มอเตอร์ประสิทธิภาพสูงรุ่นใหม่จะให้สมรรถนะเทียบเท่ากับมอเตอร์ของเครื่องมือไฟฟ้าแบบมีสายไฟเชื่อมต่อ



เปิดด้ามหนีบ:
สามารถปรับมุมเอียงในแนวตั้งได้

ปิดด้ามหนีบ:
มุมเอียงในแนวตั้งของแขนเลื่อนที่ปรับไว้จะถูกยึด



แสดงแต่ละขั้นตอนสำหรับการปรับมุมเอียงในแนวตั้ง

1. คลายด้ามหนีบออก
2. หมุนแขนเลื่อนไปทางซ้ายเล็กน้อย
3. ปรับช่วงมุมเอียงในแนวตั้งที่ต้องการที่ลูกบิดหมุน



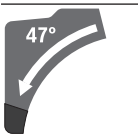
ปรับช่วงมุมเอียงในแนวตั้งที่ลูกบิดหมุน:



การเอียงไปเลื้อยไปทางซ้าย
(45° ... 0°)



การเอียงไปเลื้อยไปทางขวา
(0° ... 45°)



ช่วงการหมุนทั้งหมดของแขนเลื่อน (-47° ... +47°)

รายละเอียดผลิตภัณฑ์และข้อมูลจำเพาะ



อ่านค่าเตือนเพื่อความปลอดภัยและคำแนะนำทั้งหมด การไม่ปฏิบัติตามค่าเตือนและคำสั่งอาจเป็นสาเหตุให้ถูกไฟฟ้าดูด เกิดไฟไหม้และ/หรือได้รับบาดเจ็บอย่างร้ายแรง

กรุณาดูภาพประกอบในส่วนหน้าของคู่มือการใช้งาน

ประโยชน์การใช้งานของเครื่อง

เครื่องมือไฟฟ้านี้เป็นเครื่องประจำที่ ใช้สำหรับตัดไม้เป็นแนวตรงทั้งตามยาวและตามขวาง สามารถตัดมุมเอียงในแนวนอนจาก -52° ถึง +60° และมุมเอียงในแนวตั้งจาก 47° (ด้านซ้าย) ถึง 47° (ด้านขวา)

เครื่องนี้ออกแบบให้มีสมรรถภาพสำหรับเลื่อยไม้เนื้ออ่อนและเนื้อแข็ง และพาร์ติเคิลบอร์ดและไฟเบอร์บอร์ด

เมื่อใช้ใบเลื่อยที่เหมาะสม ยังสามารถเลื่อยโปรไฟล์อะลูมิเนียมและวัสดุสังเคราะห์ได้อีกด้วย

เมื่อมี Bluetooth® Low Energy Module GCY 42 ใส่อยู่อ่านจะสามารถถ่ายโอนข้อมูลและการตั้งค่าของเครื่องมือไฟฟ้าระหว่างเครื่องมือไฟฟ้าและอุปกรณ์เคลื่อนที่ปลายทางผ่านเทคโนโลยีไร้สาย Bluetooth®

ส่วนประกอบที่แสดงภาพ

ลำดับเลขของส่วนประกอบผลิตภัณฑ์อ้างอิงถึงส่วนประกอบของเครื่องที่แสดงในหน้าภาพประกอบ

- (1) ด้ามจับ
- (2) บุ่มล็อคไม้ให้สวิตช์เปิด-ปิดทำงาน
- (3) อินเตอร์เฟสผู้ใช้
- (4) กระบังป้องกัน
- (5) กระบังป้องกันใบเลื่อยชนิดชักกันได้
- (6) แผ่นกันปรับได้
- (7) แผ่นกัน
- (8) ล้วนขยายโต๊ะเลื้อย
- (9) รูสำหรับติดตั้ง
- (10) แผ่นสอด
- (11) คลิปปล็อค
- (12) ลูกบิดล็อคสำหรับมุมเอียงทั้งหมด (แนวนอน)
- (13) คันปรับมุมเอียง (แนวนอน)
- (14) ด้ามหนีบสำหรับมุมเอียงทั้งหมด (แนวตั้ง)
- (15) ช่องกักสำหรับมุมเอียงมาตรฐาน (แนวนอน)
- (16) ด้ามจับเว้า
- (17) ประแจขันหกเหลี่ยม (6 มม./4 มม.)
- (18) ประแจขันหกเหลี่ยม (2 มม.)
- (19) แคลมป์ยึดวัสดุ
- (20) ลูกกลิ้ง
- (21) เข็มขี้มูสำหรับช่วงมุมเอียงด้านขวา (0° ถึง 47°) (แนวตั้ง)

- (22) กระบังเบี่ยงเศษโลหะ
- (23) น็อต SDS
- (24) ช่องพ่นซึบออก
- (25) คันล้อคกลไกเลื่อน
- (26) ข้อต่อท่อดูดออก
- (27) สกรูปรับก้านวัดความลึก
- (28) ก้านวัดความลึก
- (29) ป้ายเตือนแสงเลเซอร์
- (30) ฝาครอบป้องกันเลเซอร์
- (31) ฝาครอบ Bluetooth® Low Energy Module GY 42
- (32) แบตเตอรี่แพ็ค^{a)}
- (33) แป้นปลดล็อกแบตเตอรี่^{a)}
- (34) แขนเลื่อน
- (35) ล็อคนิรภัยสำหรับขนย้าย
- (36) มาตรฐานสำหรับมุมเอียง (แนวตั้ง)
- (37) เข็มชี้มุมสำหรับช่วงมุมเอียงด้านซ้าย (47° ถึง 0°) (แนวตั้ง)
- (38) ลูกบิดปรับสำหรับมุมเอียง 22.5° (แนวตั้ง)
- (39) สกรูล็อคของก้านหยุดความยาว
- (40) ก้านหยุดความยาว
- (41) มาตรฐานสำหรับมุมเอียง (แนวนอน)
- (42) โตะเลื่อน
- (43) ลูกบิดหมุนสำหรับปรับช่วงมุมเอียง (แนวตั้ง)
- (44) โใบเลื่อน
- (45) ช่องทางออกลำแสงเลเซอร์
- (46) ไฟแสดงสถานะการชาร์จแบตเตอรี่ (อินเตอร์เฟสผู้ใช้)
- (47) ไฟแสดงสถานะโหมด ECO (อินเตอร์เฟสผู้ใช้)
- (48) ปุ่มสำหรับตั้งความเร็วรอบล่วงหน้า (อินเตอร์เฟสผู้ใช้)
- (49) ไฟแสดงระดับความเร็วรอบ/โหมด (อินเตอร์เฟสผู้ใช้)
- (50) ไฟแสดงสมาร์ทโฟน (อินเตอร์เฟสผู้ใช้)
- (51) ไฟแสดงสถานะเครื่องมือไฟฟ้า (อินเตอร์เฟสผู้ใช้)
- (52) ไฟแสดงอุณหภูมิ (อินเตอร์เฟสผู้ใช้)
- (53) ล็อคแกน
- (54) สกรูหัวจมทกเหลี่ยมสำหรับยึดใบเลื่อย
- (55) หน้าแปลนยึด
- (56) หน้าแปลนยึดด้านใน
- (57) คันหนีบของส่วนขยายโตะเลื่อน
- (58) สกรูล็อคของแผ่นกันปรับได้
- (59) ตัวควบคุมการหน่วง
- (60) สกรูตั้งสำหรับการหน่วง
- (61) รูสำหรับแคลมป์ยึดวัสดุ
- (62) น็อตปีก
- (63) ก้านหมุนเกลียว
- (64) เข็มชี้มุมสำหรับมุมเอียง (แนวนอน)
- (65) สวิทช์เปิด-ปิด
- (66) สกรูสำหรับแผ่นสอด
- (67) สกรูหนีบของก้านหยุดความยาว
- (68) สกรูปรับสำหรับตำแหน่งเลเซอร์ (ความราบเป็นระดับเดียวกัน)
- (69) สกรูปรับสำหรับการปรับพื้นฐาน 0° (มุมเอียงในแนวตั้ง)
- (70) /
- (71) /
- (72) สกรูปรับสำหรับการปรับพื้นฐาน 45° (มุมเอียงในแนวตั้งด้านซ้าย)
- (73) สกรูปรับสำหรับการปรับพื้นฐาน 45° (มุมเอียงในแนวตั้งด้านขวา)
- (74) สกรูตั้งของมาตรฐานสำหรับมุมเอียง (แนวนอน)
- (75) สกรูสำหรับเข็มชี้มุม (แนวนอน)
- (76) สกรูปรับสำหรับแรงหนีบของค้ำหนีบสำหรับมุมเอียงทั้งหมด (แนวตั้ง)
- a) อุปกรณ์ประกอบที่แสดงภาพหรืออธิบายไม่รวมอยู่ในการจัดส่งมาตรฐาน
กรุณาดูอุปกรณ์ประกอบทั้งหมดในรายการแสดงอุปกรณ์ประกอบของเรา

ข้อมูลทางเทคนิค

แท่นตั้งฉากแบบสไลด์	GCM 18V-305 GDC	
หมายเลขสินค้า		3 601 M43 0..
แรงดันไฟฟ้าพิกัด	V=	18
ความเร็วรอบเดินเปล่า ^{A)}	นาที ⁻¹	3000-4000
ความเร็วรอบเดินเปล่าในโหมด ECO ^{A)}	นาที ⁻¹	2550
ชนิดเลเซอร์	นาโนเมตร	650

แพ้นัดตองศาแบบสไลด์		GCM 18V-305 GDC
	มิลลิวัตต์	< 1
ระดับเลเซอร์		1M
การบานออก เส้นเลเซอร์	mrad (มุมเต็ม)	1.0
น้ำหนักตามระเบียบการ EPTA-Procedure 01:2014 ^{B)}	กก.	26,9–27,8
อุณหภูมิโดยรอบที่แนะนำเมื่อชาร์จ	°C	0 ... +35
อุณหภูมิโดยรอบที่อนุญาตเมื่อใช้งาน ^{C)} และระหว่างการเก็บรักษา	°C	-20 ... +50
แบตเตอรี่ที่แนะนำ		GBA 18V... ProCORE18V...
เครื่องชาร์จที่แนะนำ		GAL 18... GAX 18... GAL 36...
การถ่ายโอนข้อมูล		
Bluetooth®		Bluetooth® 4.2 (Low Energy) ^{D)}
ระยะห่างสัญญาณ	วินาที	8
ช่วงสัญญาณสูงสุด ^{E)}	ม.	30
ขนาดของใบเลื่อยที่เหมาะสม		
เส้นผ่าศูนย์กลางใบเลื่อย	มม.	305
ความหนาใบ	มม.	1.7–2.6
ความกว้างการตัด สูงสุด	มม.	3.2
เส้นผ่าศูนย์กลางรูประกอบ	มม.	30

- A) ดำเนินการวัด ณ อุณหภูมิ 20–25 °C พร้อมแบตเตอรี่ ProCORE18V 8.0Ah
- B) ขึ้นอยู่กับแบตเตอรี่แพ็คที่ใช้
- C) สมรรถภาพจะน้อยลงที่อุณหภูมิ <0 °C
- D) อุปกรณ์เคลื่อนที่ปลายทางต้องเข้ากันได้กับอุปกรณ์ Bluetooth®-Low-Energy (รุ่น 4.2) และรองรับ Generic Access Profile (GAP)
- E) ช่วงสัญญาณอาจแตกต่างกันมาก ทั้งนี้ขึ้นอยู่กับเงื่อนไขภายนอก รวมทั้งอุปกรณ์รับสัญญาณที่ใช้ ภายในพื้นที่ปิดและเมื่อมีตัวกั้นที่เป็นโลหะ (เช่น ผนัง ชั้นวางของ กระเป๋าเดินทาง ฯลฯ) ช่วงสัญญาณ Bluetooth® อาจลดลงอย่างชัดเจน

ขนาดชิ้นงานที่อนุญาต (สูงสุด/ต่ำสุด): (ดู "มิติชิ้นงานที่อนุญาต", หน้า 148)

การติดตั้ง

- ▶ ถอดแบตเตอรี่ออกจากเครื่องมือไฟฟ้าก่อนทำการปรับแต่งใดๆ ที่เครื่องมือไฟฟ้า (ต. ย. เช่น บำรุงรักษา เปลี่ยนเครื่องมือ ฯลฯ) รวมทั้งเมื่อขนย้ายและเก็บรักษา อันตรายจากการบาดเจ็บหากสวิทช์เปิด-ปิดติดขึ้นอย่างไม่ตั้งใจ

รายการสิ่งของที่จัดส่ง



กรุณาสังเกตภาพประกอบรายการสิ่งของที่จัดส่งในตอนต้นของคู่มือการใช้งาน

ก่อนใช้เครื่องทำงานเป็นครั้งแรก ให้ตรวจสอบว่าชิ้นส่วนทั้งหมดที่ระบุด้านล่างนี้ได้จัดส่งมาด้วยหรือไม่:

- แพ้นัดตองศาแบบเลื่อนพร้อมใบเลื่อยติดตั้งมาแล้ว (44)
- ลูกบิดล็อก (12)
- ประแจขันทกเหลี่ยม (17)
- ประแจขันทกเหลี่ยม (18)
- แคลมป์ยึดวัสดุ (19)
- น็อต SDS (23)
- ถุงเก็บผง

หมายเหตุ: ตรวจสอบเครื่องมือไฟฟ้าเพื่อหาจุดชำรุดที่อาจมีก่อนใช้เครื่องมือไฟฟ้าต่อไปต้องตรวจสอบอุปกรณ์ป้องกันอันตรายว่าทำงานอย่างถูกต้องหรือไม่ ส่วนชำรุดเล็กน้อยใดๆ ต้องได้รับการตรวจสอบอย่างละเอียดก่อนเพื่อจะมั่นใจว่าเครื่องจะทำงานได้อย่างไม่มีข้อบกพร่อง ตรวจสอบชิ้นส่วนที่เคลื่อนไหวว่าทำงานอย่างถูกต้องและติดขัดหรือไม่ หรือมีชิ้นส่วนเสียหายหรือไม่ ชิ้นส่วนทั้งหมดต้องติดตั้งอย่างถูกต้องและตรงตามเงื่อนไขทั้งหมดเพื่อให้แน่ใจว่าจะทำงานได้อย่างไม่ผิดพลาด

ท่านต้องส่งเครื่องไปยังโรงซ่อมที่เชี่ยวชาญและเป็นที่ยอมรับเพื่อทำการซ่อมแซมหรือเปลี่ยนอุปกรณ์ป้องกันอันตรายและชิ้นส่วนที่เสียหายอย่างถูกต้อง

เครื่องมือเพิ่มเติมที่ต้องใช้ (ไม่อยู่ในรายการสิ่งของที่จัดส่ง):

- ไขควงปากแฉก
- ประแจปากตาย (ขนาด: 8 มม.)
- ประแจแหวน ประแจปากตาย หรือประแจบ็อกซ์ (ขนาด: 10 มม. และ 17 มม.)

เปิดใช้งาน Bluetooth® Low Energy Module GCY 42

สำหรับข้อมูลเกี่ยวกับโมดูล Bluetooth® Low Energy Module GCY 42 กรุณาอ่านหนังสือคู่มือการใช้งานที่เกี่ยวข้อง

เปิดใช้งานถ่านกระดุม

- ถอดฝาครอบ Bluetooth® Low Energy Module GCY 42 (31)
- ถอดถ่านระหว่างถ่านกระดุมและ Bluetooth® Low Energy Module GCY 42
- ปิดฝาครอบ (31) เพื่อป้องกันสิ่งสกปรก
- ▶ ถอดฝาครอบสำหรับ Bluetooth® Low Energy Module GCY 42 ที่เครื่องมือไฟฟ้าออกโดยไขไขควงหรือเหรียญขนาดใหญ่ เป็นต้น การไขอุปกรณ์ที่ไม่เหมาะสมอาจทำให้ระบบอิเล็กทรอนิกส์หรือฝาครอบเสียหายได้

การชาร์จแบตเตอรี่

- ▶ ใช้เฉพาะเครื่องชาร์จแบตเตอรี่ที่ระบุในข้อมูลทางเทคนิคเท่านั้น เฉพาะเครื่องชาร์จแบตเตอรี่เหล่านี้เท่านั้นที่เข้าชุดกับแบตเตอรี่ลิเธียม ไอออน ของเครื่องมือไฟฟ้าของท่าน

หมายเหตุ: แบตเตอรี่แพ็คที่จัดส่งมาถูกชาร์จมาแล้วบางส่วน เพื่อให้แบตเตอรี่แพ็คทำงานได้เต็มประสิทธิภาพ ต้องชาร์จแบตเตอรี่แพ็ค

ในเครื่องชาร์จแบตเตอรี่ให้เต็มก่อนใช้งานเครื่องมือไฟฟ้าของท่านเป็นครั้งแรก

แบตเตอรี่ลิเธียม ไอออน

สามารถชาร์จได้ตลอดเวลาโดยอายุการใช้งานจะไม่ลดลง การชาร์จหวนกระบวนกรชาร์จไม่ทำให้แบตเตอรี่แพ็คเสียหาย

“Electronic Cell Protection (ECP)” ช่วยป้องกันไม่ให้แบตเตอรี่ลิเธียม ไอออน จ่ายกระแสไฟออกอีกเมื่อแบตเตอรี่แพ็คหมดไฟ วงจรป้องกันจะดับสวิทช์เครื่องเครื่องมือที่ใส่อยู่จะไม่หมุนต่อ

- ▶ เมื่อเครื่องมือไฟฟ้าปิดสวิทช์ลงโดยอัตโนมัติ อย่างคสรีทซ์เปิด-ปิด อีกต่อไป แบตเตอรี่แพ็คอาจชาร์จได้

อ่านและปฏิบัติตามข้อสังเกตสำหรับการกำจัดขยะ

การถอดแบตเตอรี่

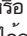

แบตเตอรี่ (32) มีการล็อกสองระดับเพื่อป้องกันไม่ให้แบตเตอรี่ร่วงหลุดออกมาหากกดแป้นปลดล็อก

แบตเตอรี่ (33) โดยไม่ตั้งใจ เมื่อแบตเตอรี่ถูกรับรองอยู่ในเครื่องมือไฟฟ้า สปรिंगจะยึดแบตเตอรี่ให้เข้าตำแหน่ง

เมื่อต้องการถอดแบตเตอรี่แพ็ค ออก ให้กดแป้นปลดล็อก และดึงแบตเตอรี่แพ็คออกจากเครื่องมือไฟฟ้า อย่าใช้กำลังดึง

ไฟแสดงสถานะการชาร์จแบตเตอรี่

ไฟ LED สีเขียวของการแสดงสถานะการชาร์จแบตเตอรี่แสดงสถานะการชาร์จของแบตเตอรี่ ด้วยเหตุผลด้านความปลอดภัยที่ท่านสามารถตรวจสอบสถานะการชาร์จเฉพาะเมื่อเครื่องมือไฟฟ้าหยุดสนิทเท่านั้น

กดปุ่มสำหรับไฟแสดงสถานะการชาร์จแบตเตอรี่  หรือ  เพื่อแสดงสถานะการชาร์จ ท่านสามารถกดได้แม้เมื่อได้ถอดแบตเตอรี่ออกแล้ว

หลังจากกดปุ่มสำหรับไฟแสดงสถานะการชาร์จแบตเตอรี่แล้วไฟ LED ไม่ติดขึ้น แสดงว่าแบตเตอรี่พร้อมและต้องเปลี่ยนใหม่

หมายเหตุ: สถานะการชาร์จแบตเตอรี่จะปรากฏบน User Interface (3)

แบตเตอรี่-ชนิด GBA 18V...



LED	ความจุ
ส่องสว่างต่อเนื่อง 3× สีเขียว	60-100 %
ส่องสว่างต่อเนื่อง 2× สีเขียว	30-60 %
ส่องสว่างต่อเนื่อง 1× สีเขียว	5-30 %
ไฟกะพริบ 1× สีเขียว	0-5 %

แบตเตอรี่-ชนิด ProCORE18V...



LED	ความจุ
ส่องสว่างต่อเนื่อง 5× สีเขียว	80-100 %
ส่องสว่างต่อเนื่อง 4× สีเขียว	60-80 %
ส่องสว่างต่อเนื่อง 3× สีเขียว	40-60 %
ส่องสว่างต่อเนื่อง 2× สีเขียว	20-40 %
ส่องสว่างต่อเนื่อง 1× สีเขียว	5-20 %
ไฟกะพริบ 1× สีเขียว	0-5 %

การติดตั้งส่วนประกอบแต่ละชิ้น

- นำชิ้นส่วนทั้งหมดที่จัดส่งมาออกจากหีบห่ออย่างระมัดระวัง
- นำวัสดุหีบห่อทั้งหมดออกจากเครื่องมือไฟฟ้าและอุปกรณ์ประกอบที่จัดส่งมา

การติดตั้งลูกบิดลอค (ดูภาพประกอบ a)

– ขันลูกบิดลอค (12) เข้าในรูที่สอดคล้องกันเหมือนคันปรีบ (13)

▶ **ขันลูกบิดลอค (12) เข้าให้แน่นก่อนเสียบเสมอ** มิฉะนั้นใบเลื่อยอาจติดขัดในชิ้นงานได้

การติดตั้งแบบประจำที่หรือแบบคล้องตัว

▶ **เพื่อความคมเครื่องให้ได้อย่างปลอดภัย ก่อนใช้งานต้องติดตั้งเครื่องบนพื้นผิวที่มั่นคงและราบเสมอกัน (ต. ย. เช่น โต๊ะทำงานของช่าง)**

การติดตั้งบนพื้นที่ทำงาน (ดูภาพประกอบ b1)

– ยึดเครื่องมือไฟฟ้าเข้ากับพื้นผิวทำงานด้วยสลักยึดที่เหมาะสม สำหรับการยึดให้ใช้ (9)

หรือ

– หนีบฐานของเครื่องมือไฟฟ้าเข้ากับพื้นผิวทำงานให้แน่นด้วยแคลมป์ยึดวัสดุที่มีจำหน่ายทั่วไป

การติดตั้งบนโต๊ะทำงาน Bosch**(ดูภาพประกอบ b2)**

(GTA 2500 W, GTA 2500 Compact, GTA 2600, GTA 3800)

โต๊ะเลื่อย GTA ของ บอช มีขาที่ปรับความสูงได้ จึงสามารถค้ำพุงเครื่องมือไฟฟ้าบนทุกพื้นผิว แทนรองรับชิ้นงานของโต๊ะเลื่อยใช้สำหรับรองรับชิ้นงานที่มีขนาดยาว

▶ **อ่านค่าเตือนเพื่อความปลอดภัยและคำสั่งทั้งหมดที่แนบมา**กับโต๊ะเลื่อย การไม่ปฏิบัติตามค่า

เตือนเพื่อความปลอดภัยและคำสั่งอาจเป็นสาเหตุให้ถูกไฟฟ้าดูด เกิดไฟไหม้ และ/หรือได้รับบาดเจ็บอย่างร้ายแรง

▶ **ต่อโต๊ะเลื่อยอย่างถูกต้องก่อนติดตั้งเครื่องมือไฟฟ้า**

จำเป็นต่อต่อให้เรียบร้อยถูกต้องเพื่อหลีกเลี่ยงอันตรายจากการล้มคว่ำ

– ติดตั้งเครื่องมือไฟฟ้าในตำแหน่งขนย้ายบนโต๊ะทำงาน

การดูดฝุ่น/ซีลื้อย

ฝุ่นที่ได้จากวัสดุ เช่น เลื่อยไม้ที่มีสารตะกั่ว ไม้ยางประเภทแร่ธาตุ และโลหะ อาจเป็นอันตรายต่อสุขภาพ การสัมผัสหรือการหายใจเอาฝุ่นเข้าไปอาจทำให้เกิดปฏิกิริยาแพ้ฝุ่น และ/หรือนำมาซึ่งโรคติดเชื้อระบบหายใจแก่ผู้ใช้เครื่องหรือผู้ที่ยืนอยู่ใกล้เคียง
ฝุ่นบางประเภท เช่น ฝุ่นไม้โอ๊ก หรือไม้บีช นับเป็นสารที่ทำให้เกิดมะเร็ง โดยเฉพาะอย่างยิ่งเมื่อผสมกับสารเติมแต่งเพื่อบำบัดไม้ (โครเมต ผลิตภัณฑ์รักษาเนื้อไม้) สำหรับวัสดุที่มีแอลเบสทอสตองให้ผู้เชี่ยวชาญทำงานเท่านั้น

– ใช้ระบบดูดฝุ่นออกที่เหมาะสมกับประเภทวัสดุ มากเท่าที่จะทำได้

– จัดสถานที่ทำงานให้มีการระบายอากาศที่ดี

– ขอแนะนำให้สวมหน้ากากป้องกันการติดเชื้อที่มีระดับ-ใส่กรอง P2

ปฏิบัติตามกฎข้อบังคับสำคัญอื่นๆ ที่เกี่ยวกับวัสดุชิ้นงานที่ยังคงใช้ในประเทศของท่าน

▶ **ป้องกันการสะสมของฝุ่นในสถานที่ทำงาน**

ฝุ่นสามารถถูกใหม่อย่างง่ายตาย

อุปกรณ์ดูดฝุ่น/ซีลื้อยอาจอุดตันด้วยฝุ่น ซีลื้อยหรือสะเก็ดชิ้นงาน

– ปิดสวิทช์เครื่องมือไฟฟ้าและถอดแบตเตอรี่แพคออก

– รอจนใบเลื่อยหยุดสนิท

– หลีกเลี่ยงของการอุดตันและทำการแก้ไข

การดูดฝุ่นด้วยเครื่องดูดฝุ่นภายนอก

สำหรับการดูดฝุ่นนอกข้อต่อท่อดูดออก (26) ท่านยังสามารถเชื่อมต่อท่อของเครื่องดูดฝุ่น (Ø 35 มม.) ได้ด้วย

– เชื่อมต่อท่อดูดฝุ่นเข้ากับช่องพ่นซีลื้อยออก (26)

เครื่องดูดฝุ่นต้องมีลักษณะการใช้งานที่เหมาะสมกับประเภทวัสดุชิ้นงาน

ในกรณีดูดฝุ่นแห้งที่เป็นอันตรายต่อสุขภาพอย่างยิ่งหรืออาจก่อให้เกิดมะเร็งได้ ให้ใช้เครื่องดูดฝุ่นพิเศษ

การทำความสะอาดข้อต่อท่อดูดออก

เพื่อให้ดูดฝุ่นออกได้ดีที่สุด ต้องทำความสะอาดข้อต่อท่อดูดออก (26) เป็นประจำ

– ถอดข้อต่อท่อดูดออก (26) โดยหมุนบิดออกจากช่องพ่นซีลื้อยออก (24)

– เอาเศษและสะเก็ดชิ้นงานออก

– ดันข้อต่อท่อดูดออกเข้าบนช่องพ่นซีลื้อยออกอีกครั้งโดยหมุนบิดจนข้อต่อขมเขามบนแหวนจับของช่องพ่นซีลื้อยออก

การเปลี่ยนใบเลื่อย

▶ **ถอดแบตเตอรี่ออกจากเครื่องมือไฟฟ้าก่อนทำการปรับแต่งใดๆ ที่เครื่องมือไฟฟ้า (ต. ย. เช่น บำรุงรักษา เปลี่ยนเครื่องมือ ฯลฯ) รวมทั้งเมื่อขนย้ายและเก็บรักษา** อันตรายจากการบาดเจ็บหากสวิทช์เปิด-ปิดติดขึ้นอย่างไม่ตั้งใจ

▶ **สวมถุงมือป้องกันอันตรายเมื่อติดตั้งใบเลื่อย** เมื่อสัมผัสใบเลื่อยจะเสี่ยงต่อการได้รับบาดเจ็บ

ใช้เฉพาะใบเลื่อยที่มีความเร็วสูงสุดที่อนุญาตสูงกว่าความเร็วรอบตัวเปล่าของเครื่องมือไฟฟ้าของท่าน

ใช้เฉพาะใบเลื่อยที่

มีคุณสมบัติสอดคล้องกับข้อมูลที่ระบุไว้ในหนังสือคู่มือการ

ใช้งานเล่มนี้ และที่ผ่านการทดสอบและทำเครื่องหมายตาม EN 847-1

ใช้เฉพาะใบเลื่อยที่บริษัทผู้ผลิตเครื่องมือไฟฟ้านี้แนะนำให้ใช้ และใบเลื่อยที่เหมาะสมสำหรับเลื่อยวัสดุที่ต้องการตัด ในลักษณะนี้จะช่วยป้องกันไม่ให้ฟันเลื่อยร้อนเกินไปขณะตัด

การติดตั้งด้วยสกรูหัวจมทกเหลี่ยม (รูปภาพประกอบ c1-c4)

การถอดใบเลื่อย

- จัดเครื่องมือไฟฟ้าให้อยู่ในตำแหน่งทำงาน
- หมุนกระบังป้องกันใบเลื่อยชนิดชักรันได้ (5) ไปด้านหลัง และจับกระบังป้องกันใบเลื่อยชนิดชักรันได้ไว้ในตำแหน่งนี้
- หมุนสกรูหัวจมทกเหลี่ยม (54) ด้วยประแจขันทกเหลี่ยม (4 มม.) (17) และในขณะที่เดียวกันให้กดลอคแกน (53) จนขบเข้าที่
- กดลอคแกน (53) ค้างไว้ และขันสกรูหัวจมทกเหลี่ยม (54) ออกในทิศทางเข็มนาฬิกา (เกลียวซ้าย!)
- ถอดน็อตยึด (55) ออก
- ถอดใบเลื่อย (44) ออก
- เลื่อนกระบังป้องกันใบเลื่อยชนิดชักรันได้ลงอย่างช้าๆ อีกครั้ง

การประกอบใบเลื่อย

- ▶ เมื่อประกอบใบเลื่อย ต้องเอาใจใส่ให้ทิศทางตัดของฟัน (ทิศทางลูกศรบนใบเลื่อย) ชี้ไปทางเดียวกับทิศทางของลูกศรบนกระบังป้องกันใบเลื่อย!

ก่อนทำการติดตั้งให้ทำความสะอาดชิ้นส่วนที่จะติดตั้งทั้งหมด หากจำเป็น

- หมุนกระบังป้องกันใบเลื่อยชนิดชักรันได้ (5) ไปด้านหลัง และจับกระบังป้องกันใบเลื่อยชนิดชักรันได้ไว้ในตำแหน่งนี้
- ประกอบใบเลื่อยใหม่เข้ากับหน้าแปลนยึดด้านใน (56)
- ใส่ น็อตยึด (55) และสกรูหัวจมทกเหลี่ยม (54) กดลอคแกน (53) จนขบเข้าที่ และขันสกรูหัวจมทกเหลี่ยมให้แน่น โดยหมุนในทิศทางเข็มนาฬิกา
- เลื่อนกระบังป้องกันใบเลื่อยชนิดชักรันได้ลงอย่างช้าๆ อีกครั้ง

การติดตั้งด้วยน็อต SDS (รูปภาพประกอบ d)

- ▶ เมื่อทำการตัดคัมในแนวตั้งและใช้สลักเกลียว SDS (23) คุณต้องปรับตัวหยุดความลึกให้เหมาะสมก่อนเลื่อย (28) ตรวจสอบให้แน่ใจว่าสลักเกลียว SDS ต้องไม่สามารถสัมผัสพื้นผิวชิ้นงานได้ เพื่อป้องกันไม่ให้สลักเกลียว SDS และ/หรือชิ้นงานเสียหาย

การถอดใบเลื่อย

- จัดเครื่องมือไฟฟ้าให้อยู่ในตำแหน่งทำงาน

- หมุนกระบังป้องกันใบเลื่อยชนิดชักรันได้ (5) ไปด้านหลัง และจับกระบังป้องกันใบเลื่อยชนิดชักรันได้ไว้ในตำแหน่งนี้
- ขันน็อต SDS (23) และในขณะที่เดียวกันให้กดลอคแกน (53) จนขบเข้าที่
- กดลอคแกน (53) ค้างไว้ และขันน็อต SDS (23) ออกในทิศทางเข็มนาฬิกา (เกลียวซ้าย!)
- ถอดน็อตยึด (55) ออก
- ถอดใบเลื่อย (44) ออก
- เลื่อนกระบังป้องกันใบเลื่อยชนิดชักรันได้ลงอย่างช้าๆ อีกครั้ง

การติดตั้งใบเลื่อย

- ▶ เมื่อประกอบใบเลื่อย ต้องเอาใจใส่ให้ทิศทางตัดของฟัน (ทิศทางลูกศรบนใบเลื่อย) ชี้ไปทางเดียวกับทิศทางของลูกศรบนกระบังป้องกันใบเลื่อย!

ก่อนทำการติดตั้งให้ทำความสะอาดชิ้นส่วนที่จะติดตั้งทั้งหมด หากจำเป็น

- หมุนกระบังป้องกันใบเลื่อยชนิดชักรันได้ (5) ไปด้านหลัง และจับกระบังป้องกันใบเลื่อยชนิดชักรันได้ไว้ในตำแหน่งนี้
- ประกอบใบเลื่อยใหม่เข้ากับหน้าแปลนยึดด้านใน (56)
- ใส่ น็อตยึด (55) และน็อต SDS (23) กดลอคแกน (53) จนขบเข้าที่ และขันน็อต SDS ในทิศทางเข็มนาฬิกาให้แน่น
- เลื่อนกระบังป้องกันใบเลื่อยชนิดชักรันได้ลงอย่างช้าๆ อีกครั้ง

การปฏิบัติงาน

- ▶ ถอดแบตเตอรี่ออกจากเครื่องมือไฟฟ้าก่อนทำการปรับแต่งใดๆ ที่เครื่องมือไฟฟ้า (ต. ย. เช่น บำรุงรักษา เปลี่ยนเครื่องมือ ฯลฯ) รวมทั้งเมื่อขนย้ายและเก็บรักษา อันตรายจากการบาดเจ็บหากสวิทช์เปิด-ปิดติดขึ้นอย่างไม่ตั้งใจ

ลอคนิรภัยสำหรับขนย้าย (รูปภาพประกอบ A)

ลอคนิรภัยสำหรับขนย้าย (35) ทำให้สามารถจับถือเครื่องมือไฟฟ้าได้สะดวกเมื่อขนย้ายไปยังสถานที่ทำงานต่างๆ

การปลดเครื่อง (ตำแหน่งทำงาน)

- ดันแขนเลื่อน (34) ตรงด้ามจับ (1) ลงเล็กน้อยเพื่อคลายลอคนิรภัยสำหรับขนย้าย (35)
- ดึงลอคนิรภัยสำหรับขนย้าย (35) ออกมาด้านนอกทั้งหมด
- แขนเลื่อน (34) ขึ้นอย่างช้าๆ

การรัดเครื่อง (ตำแหน่งขนย้าย)

- แขนเลื่อน (34) ไปทางด้านท้ายทั้งหมด และยึดให้แน่นในตำแหน่งนี้

- เลื่อนแขนเลื่อนลงไปจนสามารถคล้องนิรภัยสำหรับขนย้าย (35) เข้าด้านในทั้งหมด

ข้อมูลเพิ่มเติม: (ดู "การขนย้าย (รูปภาพประกอบ Z)", หน้า 151)

การล็อกแขนเลื่อน

กลไกเลื่อนของแขนเลื่อน (34) สามารถล็อกด้วยคันล็อก (25) ท่านสามารถล็อกแขนเลื่อนได้สองตำแหน่ง:

- ดันแขนเลื่อนไปทางด้านท้ายทั้งหมด (สำหรับการตัดลิ้ม)
- ดึงแขนเลื่อนมาทางด้านหน้าทั้งหมด (สำหรับตำแหน่งขนย้ายแบบกระชับ)

การปลดแขนเลื่อน (รูปภาพประกอบ B1)

เมื่อปลดล็อกแขนเลื่อน (34) แล้ว กลไกเลื่อนทั้งหมดพร้อมจะทำงาน

- กดคันล็อก (25) ลงจนสุด
- ลิ้มหนีบของคันล็อกจะปลดขึ้นส่วนเชื่อมต่อทั้งสองชั้นที่ด้านล่างของแขนเลื่อนออก

การรัคแขนเลื่อน (รูปภาพประกอบ B2)

แขนเลื่อนถูกดันไปทางด้านท้ายทั้งหมด:

- ดันแขนเลื่อน (34) ไปทางด้านท้ายจนสุด
- ตอนนี้อยู่ส่วนเชื่อมต่อด้านบนทั้งสองชั้นของแขนเลื่อนอยู่ในตำแหน่งตั้งขึ้นและปิด

- ดึงคันล็อก (25) ขึ้นไปด้านบนจนลิ้มหนีบวางอยู่ระหว่างชั้นส่วนเชื่อมต่อทั้งสองชั้นที่ด้านล่างของแขนเลื่อน
- ในลักษณะนี้แขนเลื่อนที่ถูกดันไปด้านท้ายทั้งหมด (34) จะถูกล็อก

แขนเลื่อนถูกดึงเข้ามาด้านหน้าทั้งหมด:

- ดึงแขนเลื่อน (34) เข้ามาด้านหน้าจนสุด
- ตอนนี้อยู่ส่วนเชื่อมต่อทั้งสองชั้นที่ด้านล่างของแขนเลื่อน
- ดึงคันล็อก (25) ขึ้นไปด้านบนจนลิ้มหนีบวางอยู่ระหว่างชั้นส่วนเชื่อมต่อทั้งสองชั้นที่ด้านล่างของแขนเลื่อน
- ในลักษณะนี้แขนเลื่อนที่ถูกดึงเข้ามาด้านหน้าทั้งหมด (34) จะถูกล็อก

การเตรียมการทำงาน

การขยายโต๊ะเลื่อย (รูปภาพประกอบ C)

ต้องรองรับหรือหนุนส่วนปลายของชิ้นงานที่มีขนาดยาวที่ลอยอยู่

โต๊ะเลื่อยสามารถขยายไปทางซ้ายหรือทางขวาด้วยส่วนขยายโต๊ะเลื่อย (8)

- ดันคันหนีบ (57) เข้าด้านใน
- ดึงส่วนขยายโต๊ะเลื่อย (8) ออกด้านนอกจนถึงความยาวที่ต้องการ (สูงสุด 250 มม.)
- เมื่อต้องการล็อกส่วนขยายโต๊ะเลื่อย ให้ดันคันหนีบ (57) ออกด้านนอกอีกครั้ง

การเลื่อนแผ่นกัน (รูปภาพประกอบ D - E)

เมื่อตัดมุมเอียงในแนวอนและ/หรือแนวตั้ง ท่านต้องดึงแผ่นกันปรับได้ (6) ไปด้านนอกทางซ้ายหรือทางขวาขึ้นอยู่กับทิศทางการตัดหรือถอดออกไป

มุมเอียงในแนวตั้ง	มุมเอียงในแนวนอน	
0°-47° (ซ้าย)	≤ 44° (ขวา/ซ้าย)	- คลายสกรูล็อก (58) ออก - ดึงแผ่นกันปรับได้ด้านซ้าย (6) ออกมาด้านนอกทั้งหมด
0°-47° (ซ้าย)	≥ 45° (ขวา/ซ้าย)	- คลายสกรูล็อก (58) ออก - ดึงแผ่นกันปรับได้ด้านซ้าย (6) ออกมาด้านนอกทั้งหมด - ยกแผ่นกันปรับได้ออกทางด้านบน - ถอดสกรูล็อก (58) ออก
0°-47° (ขวา)	≤ 44° (ขวา/ซ้าย)	- คลายสกรูล็อก (58) ออก - ดึงแผ่นกันปรับได้ด้านขวา (6) ออกมาด้านนอกทั้งหมด
0°-47° (ขวา)	≥ 45° (ขวา/ซ้าย)	- ยกแผ่นกันปรับได้ออกทางด้านบน

การปรับการหน่วงของแขนเลื่อน (รูปภาพประกอบ F)

กลไกเลื่อนของแขนเลื่อน (34) ถูกตั้งไว้ล่วงหน้าจากโรงงานและไม่ได้ทำการหน่วงไว้เมื่อจัดส่งเครื่องมือไฟฟ้า

ท่านสามารถปรับการหน่วงของกลไกเลื่อนเฉพาะรายที่ตัวควบคุมการหน่วง (59):

แข็ง - การเคลื่อนไหวทำงานที่ควบคุมได้มากกว่า

นุ่ม - การตัดเลื่อยอย่างรวดเร็ว

- คลายสลักรูตั้งทั้งสองตัว (60) ออกด้วยประแจขันหกเหลี่ยม (4 มม.) (17) สำหรับการหน่วงที่นุ่มกว่า
- หรือ
- ขันสลักรูตั้งทั้งสองตัว (60) เข้าให้แน่นขึ้นสำหรับการหน่วงที่ แข็งกว่า

การหนีบชิ้นงาน (คุณภาพประกอบ G)

เพื่อความปลอดภัยสูงสุดขณะทำงาน ต้องหนีบชิ้นงานให้แน่นเสมอ

อย่าเลื่อยชิ้นงานที่มีขนาดเล็กมากจนยึดหนีบไม่ได้

- กดชิ้นงานเข้าหาแผ่นกัน (7) และ (6) อย่างมั่นคง
- ไล่แคลมป์ยึดวัสดุ (19) ที่จัดส่งมาไว้ในรู (61) ที่มีไว้สำหรับวัสดุประสงค์นี้
- คลายน็อตปีก (61) ออก และปรับแคลมป์ยึดวัสดุให้เข้ากับชิ้นงาน ขันน็อตปีกกลับให้แน่นอีกครั้ง
- ขันก้านหมุนเกลียว (63) ให้แน่น และด้วยเหตุนี้ชิ้นงานจึงถูกยึดแน่น

การปลดชิ้นงาน

- เมื่อต้องการปลดแคลมป์ยึดวัสดุ ให้หมุนก้านหมุนเกลียว (63) ไปในทิศทางเข็มนาฬิกา

การปรับมุมเอียงในแนวนอน

การปรับมุมเอียงมาตรฐานในแนวนอน (คุณภาพประกอบ H)

สำหรับการตั้งมุมเอียงในแนวนอนที่ไขว้ยให้ไต่รวดเร็วและแม่นยำให้ไขว่ของกัก (15) ที่โต๊ะเลื่อย:

ซ้าย	ขวา
0°	

45°; 31.6°; 22.5°; 15° 15°; 22.5°; 31.6°; 45°; 60°

- คลายลูกบิดล็อก (12) ออกหากถูกขันแน่น
- ดึงคันปรับ (13) และหมุนโต๊ะเลื่อย (42) ไปทางซ้ายหรือทางขวาจนถึงช่องกักที่ต้องการ
- ปล่อนิ้วจากคันปรับ คันปรับต้องขบเข้าในช่องกักอย่างรู้สึกได้
- ขันลูกบิดล็อก (12) กลับเข้าที่อีกครั้ง

การปรับมุมเอียงในแนวนอนทั้งหมด (คุณภาพประกอบ I)

มุมเอียงในแนวนอนสามารถตั้งได้ในช่วงตั้งแต่ 52° (ด้านซ้าย) ถึง 60° (ด้านขวา)

- คลายลูกบิดล็อก (12) ออกหากถูกขันแน่น
- ดึงคันปรับ (13) และในเวลาเดียวกันดันคลิปล็อก (11) จนคลิปล็อกขบเข้าในร่องสำหรับวัตถุประสงค์นี้ ในลักษณะนี้โต๊ะเลื่อยจะเคลื่อนได้อย่างอิสระ

- หมุนโต๊ะเลื่อย (42) ตรงลูกบิดล็อกไปทางซ้ายหรือทางขวาจนเข็มชี้มุม (64) แสดงมุมเอียงในแนวนอนที่ต้องการ
- ขันลูกบิดล็อก (12) กลับเข้าที่อีกครั้ง
- เมื่อต้องการคลายคันปรับ (13) อีกครั้ง (เพื่อปรับมุมเอียงมาตรฐานในแนวนอน) ให้ดึงคันปรับขึ้นคลิปล็อก (11) ดึงกลับไปที่ตำแหน่งเดิมอย่างรวดเร็วและคันปรับ (13) สามารถขบเข้าในช่องกัก (15) อีกครั้ง

การปรับมุมเอียงในแนวตั้ง

ท่านสามารถปรับมุมเอียงในแนวตั้งในช่วงจาก 47° (ด้านซ้าย) ถึง 47° (ด้านขวา)

ตัวหยุดสำหรับมุม 0°, 22.5° และ 45° และ 47° ถูกจัดเตรียมไว้บนโต๊ะเลื่อยเพื่อให้สามารถปรับมุมเอียงในแนวตั้งที่ใช้กันทั่วไปได้อย่างรวดเร็วและแม่นยำ

การปรับช่วงมุมเอียงในแนวตั้งด้านซ้าย (45° ถึง 0°)

L

- ดึงแผ่นกันปรับได้ด้านซ้าย (6) ออกมาด้านนอกทั้งหมด
- คลายด้ามหนีบ (14) ออก
- หมุนแขนเลื่อน (34) ตรงด้ามจับ (1) ไปทางซ้ายหรือทางขวาจนเข็มชี้มุม (37) แสดงมุมเอียงในแนวตั้งที่ต้องการ
- จับแขนเลื่อน (34) ไว้ในตำแหน่งนี้ และยึดด้ามหนีบ (14) กลับเข้าให้แน่นอีกครั้ง
- แรงหนีบของคันหนีบต้องยึดตำแหน่งของแขนเลื่อนที่มุมเอียงในแนวตั้งทั้งหมดไว้อย่างแน่นหนา

การปรับช่วงมุมเอียงในแนวตั้งด้านขวา (0° ถึง 45°) (คุณภาพประกอบ J)

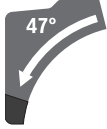
45°R

- ดึงแผ่นกันปรับได้ด้านขวาดึงแผ่นกันปรับได้ด้านขวา (6) ออกมาด้านนอกทั้งหมด
- คลายด้ามหนีบ (14) ออก
- เอียงแขนเลื่อน (34) ตรงด้ามจับ (1) ออกจากตำแหน่ง 0° ไปทางซ้ายเล็กน้อย และหมุนลูกบิดหมุน (43) จนแสดงช่วงมุมเอียงในแนวตั้งที่ต้องการ
- หมุนแขนเลื่อน (34) ตรงด้ามจับ (1) ไปทางขวาจนเข็มชี้มุม (21) แสดงมุมเอียงที่ต้องการ
- จับแขนเลื่อน (34) ไว้ในตำแหน่งนี้ และยึดด้ามหนีบ (14) กลับเข้าให้แน่นอีกครั้ง
- แรงหนีบของคันหนีบต้องยึดตำแหน่งของแขนเลื่อนที่มุมเอียงในแนวตั้งทั้งหมดไว้อย่างแน่นหนา

การปรับมุมเอียงมาตรฐานในแนวตั้ง 0°

เพื่อให้สามารถตั้งข่ามมุมเอียงมาตรฐานในแนวตั้ง 0° ได้อย่างง่ายดาย ลูกบิดหมุน (43) จะขยับเข้าไปในช่วงมุมเอียงในแนวตั้งตามชาย

- หมุนแขนเลื่อน (34) จากขวาข้ามตำแหน่ง 0°

การปรับช่วงมุมเอียงในแนวตั้งทั้งหมด (-47° ถึง +47°)

- ดึงลั่นขยายแผ่นกันปรับได้ทั้งสอง (6) ออกมาด้านนอกทั้งหมด
- คลายด้ามหนีบ (14) ออก
- เอียงแขนเลื่อน (34) ตรงด้ามจับ (1) ออกจากตำแหน่ง 0° ไปทางซ้ายเล็กน้อย และหมุนลูกบิดหมุน (43) จนแสดงช่วงมุมเอียงในแนวตั้งที่ต้องการ
- หมุนแขนเลื่อน (34) ตรงด้ามจับ (1) ไปทางซ้ายหรือทางขวาจนเข็มชี้มุม (37) หรือ (21) แสดงมุมเอียงในแนวตั้งที่ต้องการ
- จับแขนเลื่อน (34) ไว้ในตำแหน่งนี้ และยึดด้ามหนีบ (14) กลับเข้าไปแน่นอีกครั้ง แรงหนีบของคันทันต้องยึดตำแหน่งของแขนเลื่อนที่มุมเอียงในแนวตั้งทั้งหมดไว้อย่างแน่นหนา

การปรับมุมเอียงมาตรฐานในแนวตั้ง 22.5° (ดูภาพประกอบ K)

ดึงลูกบิดปรับ (38) ออกมาด้านนอกทั้งหมด และหมุนลูกบิดไป 90° จากนั้นหมุนแขนเลื่อน (34) ตรงด้ามจับ (1) จนได้ยินเสียงแขนเลื่อนขบเข้าที่

การปรับมุมเอียงในแนวนอนและแนวตั้ง**การเริ่มต้นปฏิบัติงาน****การใส่แบตเตอรี่แพ็ค**

- ▶ ใช้เฉพาะแบตเตอรี่แพ็คลิเธียมไอออนของแท้ของ Bosch ที่มีแรงดันไฟฟ้าที่ระบุไว้บนแผ่นป้ายพิกัดของ

ไฟแสดงสถานะ

ไฟแสดงสถานะการชาร์จแบตเตอรี่ (user interface) (46)	ความหมาย/สาเหตุ	วิธีแก้ปัญหา
สีเขียว (2 ถึง 5 แถบ)	ชาร์จแบตเตอรี่แล้ว	-
สีเหลือง (1 แถบ)	แบตเตอรี่ใกล้หมด	เปลี่ยนหรือชาร์จแบตเตอรี่ใหม่ซ้ำ
สีแดง (1 แถบ)	แบตเตอรี่หมดประจุ	เปลี่ยนหรือชาร์จแบตเตอรี่

เครื่องมือไฟฟ้าของท่าน การใช้แบตเตอรี่แพ็คประเภทอื่นเสี่ยงต่อการเกิดไฟไหม้หรือบาดเจ็บ

- เลื่อนแบตเตอรี่ที่ชาร์จแล้ว (32) เข้าในแบตเตอรี่แพ็คของเครื่องมือไฟฟ้าจนแบตเตอรี่ล็อกเข้าอย่างแน่นหนา

เปิดสวิตช์ (ดูภาพประกอบ L)

- สำหรับการเปิดสวิตช์เครื่องมือไฟฟ้า ในเบื้องต้นให้เลื่อนปุ่มล็อก (2) ไปตรงกลาง จากนั้น ให้กดสวิตช์เปิด-ปิด (65) และกดค้างไว้

หมายเหตุ: ด้วยเหตุผลด้านความปลอดภัย จึงไม่สามารถล็อกสวิตช์เปิด-ปิด (65) ได้ จะต้องกดสวิตช์เปิด-ปิดตลอดเวลาปฏิบัติงาน

ปิดสวิตช์

- เมื่อต้องการปิดสวิตช์ให้ปล่อยนิ้วจากสวิตช์เปิด-ปิด (65)

โหมด ECO

หากเครื่องมือไฟฟ้าทำงานในโหมด Eco สามารถยืดอายุการใช้งานแบตเตอรี่ได้นานถึง 20 %

หากโหมด Eco เปิดใช้งานอยู่ ไฟแสดงระดับความเร็วรอบ/โหมด (49) จะแสดงสัญลักษณ์ E นอกจากนี้สถานะโหมด ECO (47) จะสว่างขึ้น

อินเตอร์เฟสผู้ใช้งาน

อินเตอร์เฟสผู้ใช้ (3) สำหรับตั้งความเร็วรอบล่วงหน้าและแสดงสถานะของเครื่องมือไฟฟ้า

การตั้งความเร็วรอบล่วงหน้า

สามารถตั้งค่าความเร็วรอบเบื้องต้นได้ 3 ระดับในโหมด Eco คุณสามารถใช้ปุ่มสำหรับตั้งความเร็วรอบล่วงหน้า (48) คุณสามารถใช้ปุ่มสำหรับตั้งความเร็วรอบล่วงหน้า

ระดับความเร็วรอบ	ความเร็ว [นาที ⁻¹]
Eco	2550
1	3000
2	3500
3	4000

ไฟแสดงอุณหภูมิ (52)	ความหมาย/สาเหตุ	วิธีแก้ปัญหา
สีเหลือง	อุณหภูมิถึงขั้นวิกฤติ (มอเตอร์ อิเล็กทรอนิกส์ แบตเตอรี่)	ให้เครื่องมือไฟฟ้าวิ่งตัวเปล่าและปล่อยให้เย็นลง
สีแดง	เครื่องมือไฟฟ้าร้อนเกินไปและดับลง	ปล่อยให้เครื่องมือไฟฟ้าเย็นลง

ไฟแสดงสถานะสมาร์ตโฟน (50) ไฟแสดงสถานะเครื่องมือไฟฟ้า (51)	ความหมาย/สาเหตุ	วิธีแก้ปัญหา
สีเหลือง	การแจ้งเตือนบริการ	ดู Bosch Toolbox App หรือบริการ

ไฟแสดงสถานะเครื่องมือไฟฟ้า (51)	ความหมาย/สาเหตุ	วิธีแก้ปัญหา
สีเขียว	สถานะ OK	-
สีเหลือง	อุณหภูมิถึงขั้นวิกฤติหรือแบตเตอรี่ใกล้หมด	ให้เครื่องมือไฟฟ้าวิ่งตัวเปล่าและปล่อยให้เย็นลง หรือเปลี่ยนหรือชาร์จแบตเตอรี่ใหม่ซ้ำ
สีแดง	เครื่องมือไฟฟ้าร้อนเกินไปหรือแบตเตอรี่หมดประจุ	ปล่อยให้เครื่องมือไฟฟ้าเย็นลง หรือเปลี่ยนหรือชาร์จแบตเตอรี่
กะพริบสีแดง	การป้องกันการรีสตาร์ทถูกเรียกใช้งาน	ปิดสวิตช์เครื่องมือไฟฟ้าและเปิดสวิตช์อีกครั้ง และถอดแบตเตอรี่ออกแล้วใส่กลับเข้าไปใหม่อีกครั้ง

ฟังก์ชันการเชื่อมต่อ

เมื่อใช้ Bluetooth® Low Energy Module GCY 42 เครื่องมือไฟฟ้าจะมีฟังก์ชันการเชื่อมต่อพร้อมใช้งานดังต่อไปนี้:

- การลงทะเบียนและตั้งค่าส่วนบุคคล
- การตรวจสอบสถานะและการส่งออกข้อความแจ้งเตือน
- ข้อมูลทั่วไปและการตั้งค่า
- การจัดการ
- การปรับระดับความเร็วรอบ

สำหรับข้อมูลเพิ่มเติมโมดูล Bluetooth® Low Energy Module GCY 42 กรุณาอ่านหนังสือคู่มือการใช้งานที่เกี่ยวข้อง

ไฟแสดงสมาร์ตโฟน (50) จะส่องสว่างขึ้นเมื่อเครื่องมือไฟฟ้าลงข้อมูล (เช่น การแจ้งเตือนอุณหภูมิ) ไปยังอุปกรณ์เคลื่อนที่ปลายทางผ่านเทคโนโลยีไร้สาย Bluetooth®

ข้อแนะนำในการทำงาน

คำแนะนำทั่วไปสำหรับการเสียบ

- ▶ **ขันลูกบิดล็อก (12) และคันทัน (14) เข้าให้แน่นก่อนเสียบเสมอ** มิฉะนั้นใบเลื่อยอาจติดขัดในชิ้นงานได้
- ▶ **ขันลูกบิดล็อก (12) และคันทัน เข้าให้แน่นก่อนเสียบเสมอ** มิฉะนั้นใบเลื่อยอาจติดขัดในชิ้นงานได้

- ▶ **สำหรับการตัดทุกครั้ง ก่อนอื่นต้องทำให้มั่นใจว่าใบเลื่อยจะไม่สัมผัสกับแผ่นกัน แคลมบีคัตวิสต์ หรือส่วนอื่นๆ ของเครื่องในทุกลูกเลี้ยว นำตัวหยุดเสริมใดๆ ที่ติดตั้งออกไปหรือปรับให้เหมาะสม**
- ▶ **เครื่องมือไฟฟ้าที่มี Bluetooth® Low Energy Module GCY 42** ใส่อยู่จะมีส่วนต่อประสานทางคลื่นวิทยุ ต้องปฏิบัติตามข้อกำหนดในการใช้งานในท้องถิ่น ต. ย. เช่น ในเครื่องบิน หรือโรงพยาบาล
- ▶ **ในพื้นที่ที่ไม่อนุญาตให้ใช้เทคโนโลยีไร้สาย Bluetooth® จะต้องถอด Bluetooth® Low Energy Module GCY 42 และถ่านกระดุมออก** ต้องหุ้บส่วนปลายของชิ้นงานที่หักและมีขนาดยาวที่ลอยอยู่ อย่าเสียบชิ้นงานที่บิดเบี้ยว ชิ้นงานต้องมีขอบตรงเสมอเพราะต้องประกบกับแผ่นกัน
- ▶ **เสียบเฉพาะวัสดุที่ได้รับอนุญาตในประโยชน์การใช้งานของเครื่องเท่านั้น**
- ▶ **ป้องกันใบเลื่อยไม่ให้ถูกกระทบกระแทก อย่ากดใบเลื่อยลงทางด้านข้าง**
- ▶ **ตรวจสอบให้แน่ใจว่าการบ่งป้องกันใบเลื่อยชนิดชักกันได้ทำงานอย่างถูกต้องและเคลื่อนไหวไปมาได้อย่างอิสระ** เมื่อเลื่อนแขนเครื่องมือลง กระบ้งป้องกันใบเลื่อยชนิดชักกันไม่ต้องเปิด เมื่อเลื่อนแขนเครื่องมือขึ้น กระบ้งป้องกันใบเลื่อย

ชนิดชักกรันได้ต้องปิดครอบใบเลื่อยอีกครั้ง และล็อกคอกยูไนต์ตำแหน่งบนสุดของแขนเครื่องมือ

การทำเครื่องหมายเส้นตัด (รูปภาพประกอบ M)

ลำแสงเลเซอร์สองลำแสดงแนวตัดของใบเลื่อย ในลักษณะนี้จะช่วยให้ท่านสามารถวางตำแหน่งชิ้นงานเพื่อทำการเลื่อยได้อย่างถูกต้องแม่นยำโดยไม่ต้องเปิดกระบังป้องกันใบเลื่อยชนิดชักกรันได้

- เปิดลำแสงเลเซอร์โดยกดสวิทช์เปิด-ปิด (65) ลึกลง โดยไม่ต้องกดปุ่มล็อก (2)
- จัดแนวเครื่องหมายของท่านบนชิ้นงานระหว่างเส้นเลเซอร์ทั้งสอง

หมายเหตุ: ก่อนทำการเลื่อยให้ตรวจสอบว่าเส้นตัดยังคงแสดงให้เห็นอย่างถูกต้องหรือไม่ (ดู "การปรับเลเซอร์", หน้า 149) ลำแสงเลเซอร์อาจเลื่อนจากตำแหน่ง ต. ย. เช่น เนื่องจากการสั่นสะเทือนจากการใช้งานหนัก

ตำแหน่งของผู้ใช้งานเครื่อง (รูปภาพประกอบ N)

- ▶ **อย่ายืนในแนวเดียวกับใบเลื่อยตรงหน้าเครื่อง ต้องยืนเฉียงไปทางด้านข้างใบเลื่อยเสมอ** ในลักษณะนี้ร่างกายของท่านจะได้รับการปกป้องจากการตีกลับที่อาจเกิดขึ้น
- เอามือ นิ้ว และแขนออกห่างจากใบเลื่อยที่กำลังหมุน
- อย่าไขว้มือของท่านตรงด้านหน้าแขนเครื่องมือ

การเปลี่ยนแผ่นสอต (รูปภาพประกอบ O)

แผ่นสอต (10) อาจสึกหรอหลังจากใช้งานเครื่องมือไฟฟ้าเป็นเวลานาน

เปลี่ยนแผ่นสอตที่ชำรุด

- วางเครื่องมือในตำแหน่งทำงาน
- ชันสกรู (66) ออกด้วยประแจขันหกเหลี่ยม (18) และถอดแผ่นสอตเก่าออก
- ใส่แผ่นสอตด้านขวาอันใหม่เข้า
- ชันแผ่นสอตเข้าไปทางขวาให้มากที่สุดด้วยสกรู (66) เพื่อใบเลื่อยจะไม่ไปสัมผัสกับแผ่นสอตตลอดความยาวทั้งหมดที่สไลด์ได้
- ทำซ้ำขั้นตอนในลักษณะเดียวกันสำหรับแผ่นสอตด้านซ้าย

มิติชิ้นงานที่อนุญาต

มุมเอียงในแนว นอน	มุมเอียงในแนวตั้ง	สูง x กว้าง [มม.]
0°	0°	104 x 341 45 x 400 ^{A)} 120 x 200 ^{B)} 180 x 40

มุมเอียงในแนว นอน	มุมเอียงในแนวตั้ง	สูง x กว้าง [มม.]
45° (ซ้าย)	0°	104 x 240 180 x 20
0°	45° (ซ้าย)	60 x 341
0°	45° (ขวา)	40 x 341
45°	45° (ซ้าย)	60 x 240
45°	45° (ขวา)	40 x 240

A) พร้อมสเปเซอร์แนวนอน (ความสูง x ความกว้าง: 60 มม. x 400 มม.)

B) พร้อมสเปเซอร์แนวตั้ง (ความสูง x ความกว้าง: 72 มม. x 50 มม.)

ขนาดชิ้นงานต่ำสุด (= ชิ้นงานทั้งหมดที่สามารถหนีบเข้าทางซ้ายหรือทางขวาจากใบเลื่อยด้วยแคลมป์ยึดวัสดุ (19) ที่จัดส่งมา): 160 x 35 มม. (ความยาว x ความกว้าง)

ความลึกการตัดสูงสุด (0°/0°): 120 มม.

การเลื่อย

การเลื่อยแบบไม่สไลด์ (การตัดออก) (รูปภาพประกอบ P)

- เลื่อนแขนเลื่อน (34) ไปทางด้านท้ายทั้งหมด และยึดให้แน่นในตำแหน่งนี้
- ตรวจสอบให้แน่ใจว่าก้านวัดความลึก (28) ถูกดันเข้าด้านในทั้งหมด และสกรูปรับ (27) พอดีกับช่องเวลาโดยไม่สัมผัสก้านวัดความลึกเมื่อเคลื่อนแขนเลื่อน
- หนีบชิ้นงานตามขนาดของชิ้นงานให้แน่น
- ปรับตั้งมุมเอียงที่ต้องการ (แนวนอนและ/หรือแนวตั้ง) หากจำเป็น
- เปิดสวิทช์เครื่องมือไฟฟ้า
- เลื่อนแขนเลื่อน (34) ตรงตามจับ (1) ลงอย่างช้าๆ
- เลื่อยผ่านชิ้นงานด้วยอัตราป้อนคงที่
- ปิดสวิทช์เครื่องมือไฟฟ้าและรอจนใบเลื่อยหยุดสนิท
- เลื่อนแขนเลื่อน (34) ขึ้นอย่างช้าๆ

การเลื่อยแบบสไลด์ (รูปภาพประกอบ Q)

- ▶ **จับตามจับอย่างมั่นคงก่อนเปิดสวิทช์และระหว่างกระบวนการเลื่อยทั้งหมด ขณะเลื่อยให้ควบคุมการเคลื่อนไหวด้วยแขนเลื่อน** ในช่วงขณะที่ขาดความเอาใจใส่แขนเลื่อนที่เคลื่อนย้ายได้ง่ายมากอาจทำให้ได้รับบาดเจ็บสาหัส
- การปลดแขนเลื่อน (34) ตรวจสอบว่ากลไกเลื่อนทั้งหมดทำงานหรือไม่โดยสไลด์แขนเลื่อน (34) ไปมา
- หนีบชิ้นงานตามขนาดของชิ้นงานให้แน่น

- ปรับตั้งมุมเอียงที่ต้องการ (แนวนอนและ/หรือแนวตั้ง) หากจำเป็น
- ดึงแขนเลื่อน (34) ตรงด้ามจับ (1) ออกจากแผ่นกัน (7) จนใบเลื่อยอยู่ด้านหน้าชิ้นงาน
- เปิดสวิตช์เครื่องมือไฟฟ้า
- เลื่อนแขนเลื่อน (34) ตรงด้ามจับ (1) ลงอย่างช้าๆ
- ดันแขนเลื่อน (34) ไปในทิศทางแผ่นกัน (7) และเลื่อยผ่านชิ้นงานโดยการป้อนอย่างสม่ำเสมอ
- ปิดสวิตช์เครื่องมือไฟฟ้าและรอจนใบเลื่อยหยุดสนิท
- เลื่อนแขนเลื่อน (34) ขึ้นอย่างช้าๆ

การเลื่อยชิ้นงานยาวเท่ากัน (ดูภาพประกอบ R)

ท่านสามารถใช้กันหยุดความยาว (40) (อุปกรณ์ประกอบ) เพื่อเลื่อยชิ้นงานให้มีความยาวเท่ากันอย่างง่ายดาย ท่านสามารถติดตั้งกันหยุดความยาวที่ส่วนขยายโต๊ะเลื่อย (8) ทั้งสองด้าน

- คลายสกรูล็อค (39) ออก และหมุนกันหยุดความยาว (40) มาเหนือสกรูหนีบ (67)
- ชันสกรูล็อค (39) กลับเข้าให้แน่นอีกครั้ง
- ปรับส่วนขยายโต๊ะเลื่อย (8) ไปยังความยาวที่ต้องการ

การปรับก้านวัดความลึก (การเลื่อยเซาะร่อง) (ดูภาพประกอบ S)

ต้องปรับก้านวัดความลึกเมื่อต้องการเลื่อยเซาะร่องหรือใช้สเปเซอร์

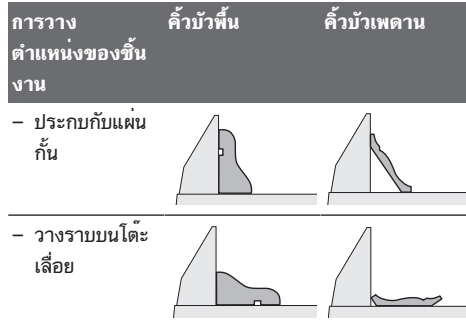
- หมุนก้านวัดความลึก (28) ออกไปด้านนอก
- หมุนแขนเลื่อน (34) ตรงด้ามจับ (1) ไปยังตำแหน่งที่ต้องการ
- หมุนสกรูปรับ (27) จนปลายสกรูสัมผัสก้านวัดความลึก (28)
- เลื่อนแขนเลื่อน (34) ขึ้นอย่างช้าๆ

ชิ้นงานพิเศษ

เมื่อต้องการตัดชิ้นงานที่มีรูปทรงโค้งงอหรือทรงกลม ต้องยึดชิ้นงานเหล่านี้ให้แน่นเป็นพิเศษเพื่อป้องกันการสั่นไหวที่เสถียรที่สุดไม่มีช่องว่างระหว่างชิ้นงาน แผ่นกัน และโต๊ะเลื่อย จัดเตรียมอุปกรณ์ยึดจับพิเศษ หากจำเป็น

การทำงานกับแผ่นรูปทรง

ท่านสามารถเลื่อยแผ่นรูปทรงได้สองแบบต่างๆ กัน:



นอกจากนี้ยังสามารถตัดแบบสไลด์หรือไมสไลด์ก็ได้ ทั้งนี้ขึ้นอยู่กับความกว้างของแผ่นรูปทรง

ทดลองตัดมุมเอียงที่ตั้งไว้ (แนวนอนและ/หรือแนวตั้ง) กับเศษไม้ก่อนเสมอ

การตรวจสอบและปรับตั้งการปรับพื้นฐาน

เพื่อให้แน่ใจว่าจะตัดชิ้นงานได้อย่างแม่นยำ หลังการใช้งานหนักท่านต้องตรวจสอบการปรับพื้นฐานของเครื่องมือไฟฟ้าและปรับตั้ง หากจำเป็น

สำหรับเรื่องนี้ท่านต้องมีประสบการณ์และเครื่องมือพิเศษที่สอดคล้องกัน

ศูนย์บริการลูกค้า บอช

ให้บริการบำรุงรักษาได้รวดเร็วและเชื่อถือได้

การปรับเลเซอร์

หมายเหตุ: เมื่อต้องการทดสอบการทำงานของเลเซอร์ ต้องเชื่อมต่อเครื่องมือไฟฟ้ากับแหล่งจ่ายกระแสไฟฟ้า

▶ ในขณะที่ปรับเลเซอร์ (เช่น เมื่อเคลื่อนแขนเครื่องมือ)

อย่ากดสวิตช์เปิด-ปิดอย่างเด็ดขาด การตัดสินใจเองโดยไม่ตั้งใจของเครื่องมือไฟฟ้าอาจทำให้บาดเจ็บได้

- วางเครื่องในตำแหน่งทำงาน
- หมุนโต๊ะเลื่อย (42) ไปจนถึงช่องกัก (15) สำหรับ 0°
- คันปรับ (13) ต้องขบเข้าในช่องกักอย่างรู้สึกได้

การตรวจสอบ (ดูภาพประกอบ T1)

- วาดเส้นตัดตรงบนชิ้นงาน
- เลื่อนแขนเลื่อน (34) ตรงด้ามจับ (1) ลงอย่างช้าๆ
- จัดตำแหน่งชิ้นงานในลักษณะให้พื้นของใบเลื่อยอยู่ตรงแนวกับเส้นตัด
- จับชิ้นงานไว้ในตำแหน่งนี้ให้แน่น และเลื่อนแขนเลื่อนขึ้นอย่างช้าๆ อีกครั้ง
- หนีบชิ้นงานให้แน่น
- เปิดสวิตช์ลำแสงเลเซอร์ด้วยสวิตช์

ลำแสงเลเซอร์ต้องมีระยะช่องว่างเดียวกันไปยังเส้นตัดที่วาดไว้บนชิ้นงานตลอดความยาวทั้งหมดทั้งทางซ้ายและทางขวา แม้เมื่อเลื่อนแขนเลื่อนลง

การปรับ (คุณภาพประกอบ T2)

1. การปรับลำแสงเลเซอร์ด้านขวา:

- หมุนสกรูปรับด้านขวา (68) ด้วยประแจขันหกเหลี่ยม (18) จนลำแสงเลเซอร์ทางขวากับเส้นตัดที่วาดไว้บนชิ้นงานราบเป็นระดับเดียวกันตลอดความยาวทั้งหมด
- ลำแสงเลเซอร์ด้านซ้ายจะย้ายไปตามด้วย

การหมุนในทิศทวนเข็มนาฬิกาหนึ่ง

รอบจะย้ายลำแสงเลเซอร์จากซ้ายไปขวา การ

หมุนในทิศตามเข็มนาฬิกาหนึ่ง

รอบจะย้ายลำแสงเลเซอร์จากขวาไปซ้าย

2. การปรับลำแสงเลเซอร์ด้านซ้าย:

- หมุนสกรูปรับด้านซ้าย (68) ด้วยประแจขันหกเหลี่ยม (18) จนลำแสงเลเซอร์ด้านซ้ายมีระยะห่างจากเส้นตัดที่วาดไว้บนชิ้นงานเหมือนกับลำแสงเลเซอร์ด้านขวา

การหมุนในทิศทวนเข็มนาฬิกาหนึ่ง

รอบจะย้ายลำแสงเลเซอร์จากซ้ายไปขวา การ

หมุนในทิศตามเข็มนาฬิกาหนึ่ง

รอบจะย้ายลำแสงเลเซอร์จากขวาไปซ้าย

การปรับมุมเอียงมาตรฐานในแนวตั้ง 0°

- วางเครื่องในตำแหน่งขนย้าย
- หมุนโต๊ะเลื่อย (42) ไปจนถึงช่องกัก (15) สำหรับ 0° คั่นปรับ (13) ต้องขบเข้าในช่องกักอย่างรู้สึกได้

การตรวจสอบ (คุณภาพประกอบ U1)

- ตั้งอุปกรณ์วัดมุมที่ 90° และวางไวนันโต๊ะเลื่อย (42)

ขาของอุปกรณ์วัดมุมต้องทาบเรียบกับใบเลื่อย (44)

ตลอดความยาวทั้งหมด

การปรับ (คุณภาพประกอบ U2)

- คลายค้ำหนีบ (14) ออก
- คลายสกรูปรับทั้งสองตัว (69) ออก (อย่างน้อย 1 รอบหมุน) ด้วยประแจบ็อกซ์ (10 มม.)
- คลายสกรูปรับ (71) ออก (ประมาณ 3 รอบหมุน) ด้วยประแจขันหกเหลี่ยม (4 มม.) (17)
- ขันสกรูปรับ (70) เข้าหรือออกด้วยประแจขันหกเหลี่ยม (4 มม.) (17) จนขาของอุปกรณ์วัดมุมทาบเรียบกับใบเลื่อยตลอดความยาวทั้งหมด
- ยึดค้ำหนีบ (14) กลับเข้าที่ให้แน่นอีกครั้ง จากนั้นให้ขันสกรูปรับ (71) ก่อน แล้วจึงขันสกรูปรับ (69) กลับเข้าที่ให้แน่นอีกครั้ง

ในกรณีที่เมื่อปรับแล้วเข็มชี้มุม (37) และ (21) ไม่อยู่ในแนวเส้นขีด 0° ของมาตราส่วน (36) ให้คลายสกรูยึดของเข็มชี้มุมออกด้วยไขควงปากแฉก และวางแนวเข็มชี้มุมเทียบกับเส้นขีด 0°

การปรับมุมเอียงมาตรฐานในแนวตั้ง 45° (ซ้าย)

- วางเครื่องในตำแหน่งทำงาน
- หมุนโต๊ะเลื่อย (42) ไปจนถึงช่องกัก (15) สำหรับ 0° คั่นปรับ (13) ต้องขบเข้าในช่องกักอย่างรู้สึกได้
- ดึงแผ่นกั้นปรับได้ด้านซ้าย (6) ออกมาด้านนอกทั้งหมด
- คลายค้ำหนีบ (14) ออก และหมุนแขนเลื่อนตรงค้ำจับ (1) ไปทางซ้ายจนสุด (45°)

การตรวจสอบ (คุณภาพประกอบ V1)

- ตั้งอุปกรณ์วัดมุมที่ 45° และวางไวนันโต๊ะเลื่อย (42)

ขาของอุปกรณ์วัดมุมต้องทาบเรียบกับใบเลื่อย (44)

ตลอดความยาวทั้งหมด

การปรับ (คุณภาพประกอบ V2)

- ขันสกรูปรับ (72) เข้าหรือออกด้วยประแจปากตาย (8 มม.) จนขาของอุปกรณ์วัดมุมทาบเรียบกับใบเลื่อยตลอดความยาวทั้งหมด

- ยึดค้ำหนีบ (14) กลับเข้าที่ให้แน่นอีกครั้ง

ในกรณีที่เมื่อปรับแล้วเข็มชี้มุม (37) และ (21) ไม่อยู่ในแนวเส้นขีด 45° ของมาตราส่วน (36) ในขั้นแรกให้ตรวจสอบการตั้ง 0° สำหรับมุมเอียงในแนวตั้งและเข็มชี้มุมอีกครั้ง จากนั้นจึงปรับข้ามมุมเอียงในแนวตั้ง 45°

การปรับมุมเอียงมาตรฐานในแนวตั้ง 45° (ขวา)

- วางเครื่องในตำแหน่งทำงาน
- หมุนโต๊ะเลื่อย (42) ไปจนถึงช่องกัก (15) สำหรับ 0° คั่นปรับ (13) ต้องขบเข้าในช่องกักอย่างรู้สึกได้
- ดึงแผ่นกั้นปรับได้ด้านขวา (6) ออกมาด้านนอกทั้งหมด
- คลายค้ำหนีบ (14) ออก
- เอียงแขนเลื่อนตรงค้ำจับ (1) ออกจากตำแหน่ง 0° ไปทางซ้ายเล็กน้อย และหมุนลูกบิดหมุน (43) จนแสดงช่วงมุมเอียงในแนวตั้งด้านขวา
- หมุนแขนเลื่อนตรงค้ำจับ (1) ไปทางขวาจนสุด (45°)

การตรวจสอบ (คุณภาพประกอบ W1)

- ตั้งอุปกรณ์วัดมุมที่ 135° และวางไวนันโต๊ะเลื่อย (42)

ขาของอุปกรณ์วัดมุมต้องทาบเรียบกับใบเลื่อย (44)

ตลอดความยาวทั้งหมด

การปรับ (คุณภาพประกอบ W2)

- ขันสกรูปรับ (73) เข้าหรือออกด้วยประแจปากตาย (8 มม.) จนขาของอุปกรณ์วัดมุมทาบเรียบกับใบเลื่อยตลอดความยาวทั้งหมด

- ยึดค้ำหนีบ (14) กลับเข้าที่ให้แน่นอีกครั้ง

ในกรณีที่เมื่อปรับแล้วเข็มชี้มุม (37) และ (21) ไม่อยู่ในแนวเส้นขีด 45° ของมาตราส่วน (36) ในขั้นแรกให้ตรวจสอบการตั้ง 0° สำหรับมุมเอียงในแนวตั้งและเข็มชี้มุมอีกครั้ง จากนั้นจึงปรับข้ามมุมเอียงในแนวตั้ง 45°

การปรับแนวมาตรส่วนมุมเอียงในแนวนอน

- วางเครื่องในตำแหน่งทำงาน
- หมุนโต๊ะเลื่อย (42) ไปจนถึงช่องกัก (15) สำหรับ 0° คำนปรับ (13) ต้องขบเข้าในช่องกักอย่างรู้สึกได้

การตรวจสอบ (รูปภาพประกอบ X1)

- ปรับอุปกรณ์วัดมุมไปที่ 90° และวางไว้ระหว่างแผ่นกัน (7) และใบเลื่อย (44) บนโต๊ะเลื่อย (42)

ขาของอุปกรณ์วัดมุมต้องทาบเรียบกับใบเลื่อย (44)

ตลอดความยาวทั้งหมด

การปรับ (รูปภาพประกอบ X2)

- คลายสกรูตั้งตั้งสี่ตัว (74) ออกด้วยประแจขันหกเหลี่ยม (4 มม.) (17) และหมุนโต๊ะเลื่อย (42) พร้อมกับมาตรส่วน (41) จนขาของอุปกรณ์วัดมุมทาบเรียบกับใบเลื่อยตลอดความยาวทั้งหมด
- ขันสกรูกลับให้แน่นอีกครั้ง

ในกรณีที่เมื่อปรับแล้วเข็มชี้มุม (64) ไม่อยู่ในแนวเส้นขีด 0° ของมาตรส่วน (41) ให้คลายสกรู (75) ออกด้วยไขควงปากแฉก และวางแนวเข็มชี้มุมเทียบกับเส้นขีด 0°

การปรับแรงหนีบของคันทิ่ม (14) (รูปภาพประกอบ Y)

ท่านสามารถปรับแรงหนีบของคันทิ่ม (14) ได้

การตรวจสอบ

- แรงหนีบของคันทิ่มต้องยึดตำแหน่งของแขนเลื่อนที่มุมเอียงในแนวตั้งทั้งหมดไว้อย่างแน่นหนา

การปรับ

- คลายคันทิ่ม (14) ออก
- หมุนสกรูปรับ (76) ในทิศทวนเข็มนาฬิกาด้วยประแจบ็อกซ์ (17 มม.) เพื่อลดแรงหนีบ หรือหมุนในทิศตามเข็มนาฬิกาเพื่อเพิ่มแรงหนีบ
- ปรับมุมเอียงในแนวตั้ง ยึดคันทิ่ม (14) กลับเข้าให้แน่นอีกครั้ง และตรวจสอบว่าได้แรงหนีบที่ต้องการแล้วหรือไม่

การขนย้าย (รูปภาพประกอบ Z)

ก่อนขนย้ายเครื่องมือไฟฟ้าต้องทำตามขั้นตอนต่อไปนี้:

- เลื่อนแขนเลื่อน (34) ไปทางด้านท้ายทั้งหมด และยึดให้แน่นในตำแหน่งนี้
- ตรวจสอบให้แน่ใจว่าก้านวัดความลึก (28) ถูกดันเข้าด้านในทั้งหมด และสกรูปรับ (27) พอดีกับช่องเว้าโดยไม่มีสัมผัสก้านวัดความลึกเมื่อเคลื่อนแขนเลื่อน
- เลื่อนแขนเลื่อนลงไปจนสามารถล็อกนิริภัยสำหรับขนย้าย (35) เข้าด้านในทั้งหมด
- เลื่อนส่วนขยายโต๊ะเลื่อย (8) เข้าด้านในทั้งหมด
- ตั้งมุมเอียงในแนวตั้งไปที่ 0° และยึดคันทิ่ม (14) เข้าให้แน่น

- หมุนโต๊ะเลื่อย (42) ไปทางซ้ายจนสุด และหมุนลูกบิดล็อก (12) เข้าให้แน่น
- ถอดอุปกรณ์ประกอบทั้งหมดที่สามารถติดตั้งกับเครื่องมือไฟฟ้าได้อย่างแน่นหนา
- หากเป็นไปได้ให้ขนย้ายใบเลื่อยที่ไม่ใช้งานโดยใส่ในภาชนะบรรจุที่ปิดฝา
- สำหรับการขนย้าย ให้ถือเครื่องตรงตามจับว่า (16) บนด้านข้างของโต๊ะเลื่อย

▶ เมื่อขนย้ายเครื่องมือไฟฟ้า ให้ยกจับที่อุปกรณ์สำหรับขนย้ายเท่านั้น และอย่ายกจับที่อุปกรณ์ป้องกันอันตรายแขนเลื่อน หรือคันทิ่ม

การบำรุงรักษาและการบริการ**การบำรุงรักษาและการทำความสะอาด**

▶ ถอดแบตเตอรี่ออกจากเครื่องมือไฟฟ้าก่อนทำการปรับแต่งใดๆ ที่เครื่องมือไฟฟ้า (ค. ย. เช่น บำรุงรักษา เปลี่ยนเครื่องมือ ฯลฯ) รวมทั้งเมื่อขนย้ายและเก็บรักษาอันตรายจากการบาดเจ็บหากสวิตช์เปิด-ปิดติดขึ้นอย่างไม่ตั้งใจ

▶ เพื่อให้ทำงานได้อย่างถูกต้องและปลอดภัย ต้องรักษาเครื่องและช่องระบายอากาศให้สะอาดอยู่เสมอ

กระบึงป้องกันใบเลื่อยชนิดชักมันได้ต้องเคลื่อนไหวไปมาได้อย่างอิสระและร่นบิดได้โดยอัตโนมัติตลอดเวลา ดังนั้นต้องรักษาบริเวณรอบๆ กระบึงป้องกันใบเลื่อยชนิดชักมันได้ให้สะอาดอยู่เสมอ

หลังเสร็จงานทุกครั้ง ให้เอาผง

ฝุ่นและเศษออกโดยเป่าด้วยอากาศอัดหรือใช้แปรงปัด

ทำความสะอาดลูกกลิ้งเป็นประจำ (20)

อุปกรณ์ประกอบ

	หมายเลขสินค้า
ถุงเก็บผง	1 609 B05 010
โต๊ะเลื่อย GTA 2500 W	0 601 B12 100
โต๊ะเลื่อย GTA 2500 Compact	0 601 B12 400
โต๊ะเลื่อย GTA 2600	0 601 B12 300
โต๊ะเลื่อย GTA 3800	0 601 B24 000
3 601 M43 000: ใบเลื่อยสำหรับไม้และวัสดุที่เป็นแผ่น	
แผ่นกระดานและแผ่นไมยา/คันทิ่ม	

	หมายเลขสินค้า
Standard for Wood 305 x 2.2/1.6 x 30 มม. 40 ฟัน เฟือง	2 608 837 741
Standard for Wood 305 x 2.2/1.6 x 30 มม. 60 ฟัน เฟือง	2 608 837 742
Standard for Wood 305 x 2.2/1.6 x 30 มม. 96 ฟัน เฟือง	2 608 837 744
Expert for Wood 305 x 2.2/1.6 x 30 มม. 42 ฟัน เฟือง	2 608 644 527
Expert for Wood 305 x 2.2/1.6 x 30 มม. 60 ฟัน เฟือง	2 608 644 528
Expert for Wood 305 x 2.2/1.6 x 30 มม. 96 ฟัน เฟือง	2 608 644 529
3 601 M43 000: ใบเลื่อยสำหรับโลหะ	
Standard for Aluminium 305 x 2.4/1.8 x 30 มม. 96 ฟัน เฟือง	2 608 837 782
Expert for Aluminium 305 x 2.4/1.8 x 30 มม. 96 ฟัน เฟือง	2 608 644 547
3 601 M43 000: ใบเลื่อยสำหรับไฟเบอร์ซีเมนต์	
Expert for Fibre Cement 305 x 2.2/1.6 x 30 มม. 8 ฟัน เฟือง	2 608 644 559

การบริการหลังการขายและการให้คำปรึกษาการใช้งาน

ศูนย์บริการหลังการขายของเรายินดีตอบคำถามของท่านที่เกี่ยวกับการบำรุงรักษาและการซ่อมแซมผลิตภัณฑ์รวมทั้งเรื่องอะไหล่ ภาพเขียนแบบการประกอบและข้อมูลเกี่ยวกับอะไหล่ กรุณาดูใน: www.bosch-pt.com ที่มืองที่ปรึกษาของ บอช ยินดีให้ข้อมูลเกี่ยวกับผลิตภัณฑ์ของเราและอุปกรณ์ประกอบต่างๆ เมื่อต้องการสอบถามและสั่งซื้ออะไหล่ กรุณาแจ้งหมายเลขสินค้า 10 หลักบนแผ่นป้ายรุ่นของผลิตภัณฑ์ทุกครั้ง

ไทย

ไทย บริษัท โรเบิร์ต บอช จำกัด
เอพวายโอ เซ็นเตอร์ อาคาร 1 ชั้น 5
เลขที่ 2525 ถนนพระราม 4
แขวงคลองเตย เขตคลองเตย กรุงเทพฯ 10110
โทร: +66 2012 8888
แฟกซ์: +66 2064 5800
www.bosch.co.th
ศูนย์บริการซ่อมและฝึกอบรม บอช
อาคาร ลาซาลทาวเวอร์ ชั้น G ห้องเลขที่ 2
บ้านเลขที่ 10/11 หมู่ 16
ถนนศรีนครินทร์ ตำบลบางแก้ว อำเภอบางพลี
จังหวัดสมุทรปราการ 10540
ประเทศไทย
โทรศัพท์ 02 7587555
โทรสาร 02 7587525

สามารถดูที่อยู่ศูนย์บริการอื่นๆ ได้ที่:

www.bosch-pt.com/serviceaddresses

การขนส่ง

แบตเตอรี่ลิเธียม ไอออน ที่บรรจุอยู่ภายในได้ข้อกำหนดแห่งกฎหมายสินค้าอันตราย ผู้ใช้สามารถขนส่งแบตเตอรี่แพ็คโดยทางถนนโดยไม่มีข้อบังคับอื่นหากขนส่งโดยบุคคลที่สาม (เช่น : การขนส่งทางอากาศ หรือตัวแทนขนส่งสินค้า) ต้องปฏิบัติตามข้อกำหนดพิเศษเกี่ยวกับการบรรจุภัณฑ์และการติดฉลาก สำหรับการจัดเตรียมสิ่งของที่จะจัดส่ง จำเป็นต้องปรึกษาผู้เชี่ยวชาญด้านวัตถุอันตราย ส่งแบตเตอรี่แพ็คเมื่อตัวหุ้มไม่ชำรุดเสียหายเท่านั้น ใช้แถบกาวยันปิดหน้าสัมผัสที่เปิดอยู่ และนำแบตเตอรี่แพ็คใส่กล่องบรรจุโดยไม่ให้เคลื่อนไปมาในกล่องได้ นอกจากนี้ กรุณาปฏิบัติตามกฎระเบียบของประเทศซึ่งอาจมีรายละเอียดเพิ่มเติม

การกำจัดขยะ



เครื่องมือไฟฟ้า แบตเตอรี่แพ็ค อุปกรณ์ประกอบ และที่บด ต้องนำ

ไปแยกประเภทวัสดุเพื่อนำกลับมาใช้ใหม่โดยไม่ทำลายสภาพแวดล้อม



อย่าทิ้งเครื่องมือไฟฟ้าและแบตเตอรี่แพ็ค/แบตเตอรี่ที่นำกลับมาชาร์จใหม่ได้ ลงในขยะบ้าน!

แบตเตอรี่แพ็ค/แบตเตอรี่:

ลิเธียม ไอออน:

กรุณาศึกษาคู่มือคำแนะนำในบทกรรณลง (ดู "การขนส่ง", หน้า 152)

Bahasa Indonesia

Petunjuk Keselamatan

Petunjuk Keselamatan Umum Perkakas Listrik

⚠ PERINGATAN Baca semua peringatan, petunjuk, ilustrasi, dan spesifikasi

keselamatan yang diberikan bersama perkakas listrik ini. Kesalahan dalam menjalankan petunjuk di bawah ini dapat mengakibatkan sengatan listrik, kebakaran, dan/atau cedera serius.

Simpanlah semua peringatan dan petunjuk untuk penggunaan di masa mendatang.

Istilah "perkakas listrik" dalam peringatan mengacu pada perkakas listrik yang dioperasikan dengan listrik (menggunakan kabel) atau perkakas listrik yang dioperasikan dengan baterai (tanpa kabel).

Keamanan tempat kerja

- ▶ **Jaga kebersihan dan pencahayaan area kerja.** Area yang berantakan atau gelap dapat memicu kecelakaan.
- ▶ **Jangan mengoperasikan perkakas listrik di lingkungan yang dapat memicu ledakan, seperti adanya cairan, gas, atau debu yang mudah terbakar.** Perkakas listrik dapat memancarkan bunga api yang kemudian mengakibatkan debu atau uap terbakar.
- ▶ **Jauhkan dari jangkauan anak-anak dan pengamat saat mengoperasikan perkakas listrik.** Gangguan dapat menyebabkan hilangnya kendali.

Keamanan listrik

- ▶ **Steker perkakas listrik harus sesuai dengan stopkontak. Jangan pernah memodifikasi steker. Jangan menggunakan steker adaptor bersama dengan perkakas listrik yang terhubung dengan sistem grounding.** Steker yang tidak dimodifikasi dan stopkontak yang cocok akan mengurangi risiko sengatan listrik.
- ▶ **Hindari kontak badan dengan permukaan yang terhubung dengan sistem grounding, seperti pipa, radiator, kompor, dan lemari es.** Terdapat peningkatan risiko terjadinya sengatan listrik jika badan Anda terhubung dengan sistem grounding.
- ▶ **Perkakas listrik tidak boleh terpapar hujan atau basah.** Air yang masuk ke dalam perkakas listrik menambah risiko terjadinya sengatan listrik.
- ▶ **Jangan menyalahgunakan kabel. Jangan gunakan kabel untuk membawa, menarik, atau melepas steker**

perkakas listrik. Jauhkan kabel dari panas, minyak, tepi yang tajam, atau komponen yang bergerak. Kabel listrik yang rusak atau tersangkut menambah risiko terjadinya sengatan listrik.

- ▶ **Saat mengoperasikan perkakas listrik di luar ruangan, gunakan kabel ekstensi yang sesuai untuk penggunaan di luar ruangan.** Penggunaan kabel yang cocok untuk pemakaian di luar ruangan mengurangi risiko terjadinya sengatan listrik.
- ▶ **Jika perkakas listrik memang harus dioperasikan di tempat yang lembap, gunakan pemutus arus listrik residu (RCD).** Penggunaan RCD akan mengurangi risiko terjadinya sengatan listrik.

Keselamatan personel

- ▶ **Tetap waspada, perhatikan aktivitas yang sedang dikerjakan dan gunakan akal sehat saat mengoperasikan perkakas listrik. Jangan gunakan perkakas listrik saat mengalami kelelahan atau di bawah pengaruh narkoba, alkohol, atau obat-obatan.** Jika perkakas listrik dioperasikan dengan daya konsentrasi yang rendah, hal tersebut dapat menyebabkan cedera serius.
- ▶ **Gunakan peralatan pelindung diri. Selalu kenakan pelindung mata.** Penggunaan perlengkapan pelindung seperti penutup telinga, helm, sepatu anti licin, dan masker debu akan mengurangi cedera.
- ▶ **Hindari start yang tidak disengaja. Pastikan switch berada di posisi off sebelum perkakas listrik dihubungkan ke sumber daya listrik dan/atau baterai, diangkat, atau dibawa.** Membawa perkakas listrik dengan jari menempel pada tombol atau perkakas listrik dalam keadaan hidup dapat memicu kecelakaan.
- ▶ **Singkirkan kunci penyetel atau kunci pas sebelum menghidupkan perkakas listrik.** Perkakas atau kunci pas yang masih menempel pada komponen perkakas listrik yang berputar dapat menyebabkan cedera.
- ▶ **Jangan melampaui batas. Berdirilah secara mantap dan selalu jaga keseimbangan.** Hal ini akan memberikan kontrol yang lebih baik terhadap perkakas listrik pada situasi yang tak terduga.
- ▶ **Kenakan pakaian dengan wajar. Jangan mengenakan perhiasan atau pakaian yang longgar. Jauhkan rambut dan pakaian dari komponen yang bergerak.** Pakaian yang longgar, rambut panjang, atau perhiasan dapat tersangkut dalam komponen yang bergerak.
- ▶ **Jika disediakan perangkat untuk sambungan pengisapan debu dan alat pengumpulan, pastikan perangkat tersebut terhubung dan digunakan dengan benar.** Penggunaan alat pengumpulan dapat mengurangi bahaya yang disebabkan oleh debu.
- ▶ **Jangan berpuas diri dan mengabaikan prinsip keselamatan karena terbiasa mengoperasikan perkakas.** Tindakan yang kurang hati-hati dapat mengakibatkan cedera serius dalam waktu sepersekian detik.

Penggunaan dan pemeliharaan perkakas listrik

- ▶ **Jangan memaksakan perkakas listrik. Gunakan perkakas listrik yang sesuai untuk pekerjaan yang dilakukan.** Perkakas listrik yang sesuai akan bekerja dengan lebih baik dan aman sesuai tujuan penggunaan.
- ▶ **Jangan gunakan perkakas listrik dengan switch yang tidak dapat dioperasikan.** Perkakas listrik yang switchnya yang tidak berfungsi dapat menimbulkan bahaya dan harus diperbaiki.
- ▶ **Lepaskan steker dari sumber listrik dan/atau lepas baterai, jika dapat dilepaskan dari perkakas listrik sebelum menyatel, mengganti aksesoris, atau menyimpan perkakas listrik.** Tindakan preventif akan mengurangi risiko menghidupkan perkakas listrik secara tidak disengaja.
- ▶ **Jauhkan dan simpan perkakas listrik dari jangkauan anak-anak dan jangan biarkan orang-orang yang tidak mengetahui cara menggunakan perkakas listrik, mengoperasikan perkakas listrik.** Perkakas listrik dapat membahayakan jika digunakan oleh orang-orang yang tidak terlatih.
- ▶ **Lakukan pemeliharaan perkakas listrik dan aksesoris. Periksa komponen yang bergerak apabila tidak lurus atau terikat, kerusakan komponen, dan kondisi lain yang dapat mengganggu pengoperasian perkakas listrik. Apabila rusak, perbaiki perkakas listrik sebelum digunakan.** Kecelakaan sering terjadi karena perkakas listrik tidak dirawat dengan baik.
- ▶ **Jaga ketajaman dan kebersihan alat.** Alat pemotong dengan pisau pemotong yang tajam dan dirawat dengan baik tidak akan mudah tersangkut dan lebih mudah dikendalikan.
- ▶ **Gunakan perkakas listrik, aksesoris, dan komponen perkakas dll sesuai dengan petunjuk ini, dengan mempertimbangkan kondisi kerja dan pekerjaan yang akan dilakukan.** Penggunaan perkakas listrik untuk tujuan berbeda dari fungsinya dapat menyebabkan situasi yang berbahaya.
- ▶ **Jaga gagang dan permukaan genggam agar tetap kering, bersih, dan bebas dari minyak dan lemak.** Gagang dan permukaan genggam yang licin tidak menjamin keamanan kerja dan kontrol alat yang baik pada situasi yang tidak terduga.

Penggunaan dan pemeliharaan perkakas baterai

- ▶ **Isi ulang daya hanya dengan pengisi daya yang ditentukan oleh produsen.** Pengisi daya yang sesuai untuk satu jenis set baterai dapat menyebabkan risiko kebakaran apabila digunakan dengan set baterai lain.
- ▶ **Hanya gunakan perkakas listrik dengan set baterai yang dirancang khusus.** Penggunaan set baterai lain dapat menyebabkan risiko cedera dan kebakaran.
- ▶ **Apabila set baterai tidak digunakan, jauhkan dari benda logam lainnya, seperti klip kertas, koin, kunci, paku, sekrup, atau benda logam kecil lainnya yang dapat membuat sambungan dari satu terminal ke**

terminal lainnya. Memendekkan terminal baterai dapat menyebabkan kebakaran atau api.

- ▶ **Cairan dapat keluar dari baterai jika baterai tidak digunakan dengan benar; hindari kontak. Jika terjadi kontak secara tidak disengaja, bilas dengan air. Jika cairan mengenai mata, segera hubungi bantuan medis.** Cairan yang keluar dari baterai dapat menyebabkan iritasi atau luka bakar.
- ▶ **Jangan gunakan set baterai atau perkakas yang rusak atau telah dimodifikasi.** Baterai yang rusak atau telah dimodifikasi dapat menimbulkan kejadian yang tak terduga seperti kebakaran, ledakan, atau risiko cedera.
- ▶ **Jangan meletakkan set baterai atau perkakas di dekat api atau suhu tinggi.** Paparan terhadap api atau suhu di atas 130 °C dapat memicu ledakan.
- ▶ **Ikuti semua petunjuk pengisian daya dan jangan mengisi daya set baterai atau perkakas di luar rentang suhu yang ditentukan dalam petunjuk.** Pengisian daya yang tidak tepat atau di luar rentang suhu yang ditentukan dapat merusak baterai dan meningkatkan risiko kebakaran.

Servis


- ▶ **Minta teknisi berkualifikasi untuk menyervis perkakas listrik dengan hanya menggunakan suku cadang yang identik.** Dengan demikian, hal ini akan memastikan keamanan perkakas listrik.
- ▶ **Jangan pernah melakukan servis pada baterai yang telah rusak.** Servis baterai hanya boleh dilakukan oleh produsen atau penyedia servis resmi.


Petunjuk Keselamatan untuk Gergaji Miter (Mitre Saw)

- ▶ **Gergaji miter ditujukan untuk memotong kayu atau produk berbahan sejenis kayu. Gergaji ini tidak dapat digunakan dengan cakram pemotong abrasif untuk memotong material dari besi seperti batang, tongkat, tiang, dll.** Debu abrasif menyebabkan komponen yang bergerak, seperti pelindung bagian bawah, menjadi tersendat. Percikan api dari pemotongan abrasif akan membakar pelindung bawah, sisipan kerf dan bagian berbahan plastik lainnya.
- ▶ **Jika mungkin, gunakan penjepit untuk menyokong benda kerja. Jika benda kerja dipegang dengan tangan, Anda harus selalu menjaga jarak tangan Anda setidaknya 100 mm dari masing-masing bilah gergaji. Jangan menggunakan gergaji ini untuk memotong benda yang terlalu kecil meski dijepit dengan aman atau dipegang dengan tangan.** Jika tangan berada terlalu dekat dengan bilah gergaji, akan terdapat risiko cedera yang lebih tinggi karena kontak dengan bilah.
- ▶ **Benda kerja harus dalam keadaan tidak bergerak dan dijepit atau dipegang dengan ditekan ke pelindung dan ke meja. Jangan mengumpalkan benda kerja secara bebas ke bilah atau memotong dengan tangan kosong dengan cara apa pun.** Benda kerja yang bebas


atau bergerak dapat terlempar dengan kecepatan tinggi, dan menyebabkan cedera.

- ▶ **Tekan gergaji dengan mendorongnya ke benda kerja. Jangan memotong dengan menarik gergaji pada benda kerja. Untuk memotong, angkat kepala gergaji dan tarik keluar ke atas benda kerja tanpa memotongnya, lalu hidupkan mesin, tekan kepala gergaji ke bawah dan kemudian dorong sambil menekan gergaji ke benda kerja.** Memotong dengan pull stroke (menarik gergaji sambil ditekan ke benda kerja) dapat menyebabkan bilah gergaji naik ke atas benda kerja dan rakitan bilah terlempar dengan keras ke arah operator.
- ▶ **Jangan pernah menyilangkan tangan pada garis yang hendak dipotong baik di depan maupun di belakang bilah gergaji.** Memegang benda kerja dengan "tangan menyilang" yaitu memegang benda kerja di sebelah kanan bilah gergaji dengan tangan kiri, atau sebaliknya, sangatlah berbahaya.
- ▶ **Jangan mencoba meraih ke belakang pelindung kurang dari 100 mm dari masing-masing bilah gergaji dengan tangan, guna melepaskan potongan kayu, atau karena alasan lainnya saat bilah sedang berputar.** Jarak bilah gergaji yang berputar ke tangan dapat menjadi tidak mudah terlihat dan dapat menyebabkan cedera serius.
- ▶ **Teliti benda kerja sebelum memotong. Jika benda kerja bengkok atau melengkung, jepitlah dengan bagian luar yang melengkung menghadap ke pelindung. Selalu pastikan bahwa tidak terdapat celah antara benda kerja, pelindung dan meja sepanjang garis pemotongan.** Benda kerja yang bengkok atau melengkung dapat berputar atau bergeser dan dapat menyebabkan lilitan pada bilah gergaji yang berputar saat pemotongan. Tidak boleh terdapat paku atau benda asing di dalam benda kerja.
- ▶ **Jangan gunakan gergaji sampai meja bebas dari semua peralatan, potongan kayu, dll. selain benda kerja.** Puing-puing kecil atau potongan-potongan kayu yang terlepas atau objek lainnya yang mengenai bilah yang berputar dapat terlempar dengan kecepatan tinggi.
- ▶ **Potonglah hanya satu benda kerja dalam satu waktu.** Benda kerja yang ditumpuk tidak dapat dijepit atau ditahan dengan benar dan dapat melilit pada bilah atau bergeser selama pemotongan.
- ▶ **Pastikan gergaji miter dipasang atau ditempatkan pada permukaan kerja yang kuat dan rata sebelum digunakan.** Permukaan kerja yang kuat dan rata akan membuat gergaji miter tidak mudah goyah.
- ▶ **Buatlah rencana kerja. Setiap kali Anda mengubah setelan kemiringan atau sudut 45 derajat (mitre angle), pastikan pelindung yang dapat disetel telah disesuaikan dengan benar untuk menyokong benda kerja dan tidak akan mengganggu bilah atau sistem pelindung.** Gerakkan bilah gergaji untuk menyimulasikan satu potongan penuh tanpa menekan tombol "ON" dan tanpa adanya benda kerja di meja untuk memastikan tidak akan terdapat gangguan atau bahaya terpotongnya pelindung.
- ▶ **Sediakan sokongan yang memadai seperti meja tambahan, kuda-kuda penyangga, dll untuk benda kerja yang berukuran lebih lebar atau lebih panjang dari permukaan meja.** Benda kerja yang berukuran lebih lebar atau lebih panjang dari meja gergaji miter dapat terbalik jika tidak disokong dengan aman. Jika benda yang terpotong atau benda kerja terbalik, benda dapat mencabut pelindung bawah atau terlempar oleh bilah yang berputar.
- ▶ **Jangan meminta orang lain untuk menjadi penyokong sebagai pengganti meja tambahan.** Penyokong untuk benda kerja yang goyah dapat menyebabkan bilah melilit atau benda kerja bergeser selama operasi pemotongan dan menarik Anda dan asisten Anda menuju ke bilah yang berputar.
- ▶ **Bagian yang dipotong tidak boleh mendesak atau ditekan, dengan alat apa pun, ke bilah gergaji yang berputar.** Jika terperangkap, yaitu karena menggunakan pembatas (length stop), bagian yang dipotong dapat terjepit dan menekan bilah lalu terlempar dengan keras.
- ▶ **Selalu gunakan penjepit atau dudukan yang dirancang untuk menyokong dengan baik benda berbentuk bundar seperti tangkai silinder atau pipa.** Tangkai silinder memiliki kecenderungan tergulir saat dipotong, yang menyebabkan bilah menusuk dan menarik benda kerja maupun tangan Anda menuju ke bilah.
- ▶ **Biarkan bilah mencapai kecepatan penuh sebelum menyentuh benda kerja.** Hal ini akan mengurangi risiko terlemparnya benda kerja.
- ▶ **Jika benda kerja atau bilah mengalami kemacetan, matikan gergaji miter. Tunggulah hingga semua bagian yang bergerak berhenti dan cabut steker dari sumber daya dan/atau lepas baterai. Lalu bebaskan benda yang macet.** Meneruskan memotong dengan benda kerja yang terjepit dapat menyebabkan gergaji miter kehilangan kendali atau rusak.
- ▶ **Setelah selesai memotong, lepaskan switch, turunkan kepala gergaji, dan tunggu hingga bilah gergaji berhenti sebelum mengangkat benda yang dipotong.** Meraih dengan tangan di dekat bilah yang berjalan sangatlah berbahaya.
- ▶ **Genggam pegangan dengan kuat saat memotong sebagian atau saat melepas switch sebelum kepala gergaji benar-benar di posisi bawah.** Tindakan pengereman gergaji dapat menyebabkan kepala gergaji tiba-tiba tertarik ke bawah, yang menyebabkan risiko cedera.
- ▶ **Jangan melepaskan gagang saat kepala gergaji telah mencapai posisi terendah. Selalu arahkan kembali kepala gergaji ke posisi teratas dengan tangan.** Jika kepala gergaji bergerak secara tidak terkendali, hal tersebut dapat menyebabkan risiko cedera.
- ▶ **Jaga tempat pengerjaan tetap bersih.** Campuran bahan yang berserakan cukup berbahaya. Debu logam yang kecil dapat terbakar atau menimbulkan ledakan.

- ▶ **Jangan menggunakan mata gergaji yang tumpul, retak, bengkok, atau rusak.** Mata gergaji dengan gigi-gigi yang tumpul atau bengkok mengakibatkan celah pemotongan terlalu sempit sehingga terjadi gesekan yang terlalu tinggi, mata gergaji terjepit, dan terjadi sentakan.
 - ▶ **Jangan menggunakan mata gergaji yang terbuat dari baja kecepatan tinggi (baja HSS).** Mata gergaji dari bahan ini mudah patah.
 - ▶ **Selalu gunakan bilah gergaji dengan ukuran dan bentuk lubang poros yang sesuai (belah ketupat versus bulat).** Bilah gergaji yang tidak sesuai dengan perangkat keras yang terpasang pada gergaji akan bergerak tidak simetris dan mengakibatkan kehilangan kendali.
 - ▶ **Jangan pernah menyingkirkan sisa-sisa pemotongan, serbuk kayu, dan semacamnya dari bidang pemotongan jika perkakas listrik dalam keadaan hidup.** Gerakan kepala perkakas selalu ke posisi normal dahulu dan kemudian matikan perkakas listrik.
 - ▶ **Setelah digunakan, jangan memegang mata gergaji yang masih panas, tunggulah hingga menjadi dingin.** Selama penggunaannya, mata gergaji menjadi sangat panas.
 - ▶ **Asap dapat keluar apabila terjadi kerusakan atau penggunaan yang tidak tepat pada baterai. Baterai dapat terbakar atau meledak.** Biarkan udara segar mengalir masuk dan kunjungi dokter apabila mengalami gangguan kesehatan. Asap tersebut dapat mengganggu saluran pernafasan.
 - ▶ **Jangan membuka baterai.** Ada bahaya terjadinya korsleting.
 - ▶ **Baterai dapat rusak akibat benda-benda lancip, seperti jarum, obeng, atau tekanan keras dari luar.** Hal ini dapat menyebabkan terjadinya hubungan singkat internal dan baterai dapat terbakar, berasap, meledak, atau mengalami panas berlebihan.
 - ▶ **Hanya gunakan baterai pada produk yang dibuat oleh produsen.** Hanya dengan cara ini, baterai dapat terlindung dari kelebihan muatan.
- 

Lindungi baterai dari panas, misalnya juga dari paparan sinar matahari dalam waktu yang lama, api, kotoran, air dan kelembapan. Terdapat risiko ledakan dan korsleting.
- 

▶ **Jangan pernah menutupi atau melepas label tentang keselamatan kerja yang ada pada perkakas listrik.**

▶ **Perkakas listrik dikirim dengan tanda peringatan laser (lihat tabel "Simbol dan artinya").**
- 

Jangan melihat sinar laser ataupun mengarahkannya kepada orang lain atau hewan baik secara langsung maupun dari pantulan. Sinar laser dapat membutakan seseorang, menyebabkan kecelakaan atau merusak mata.
- ▶ **Jika radiasi laser mengenai mata, tutup mata Anda dan segera gerakan kepala agar tidak terkena sorotan laser.**
 - ▶ **Jangan gunakan alat optik seperti teropong dan sejenisnya untuk mengamati sumber radiasi.** Hal tersebut dapat merusak mata Anda.
 - ▶ **Jangan mengarahkan sinar laser pada orang yang sedang melihat melalui teropong atau sejenisnya.** Hal tersebut dapat merusak mata.
 - ▶ **Jangan mengubah peralatan laser.** Anda dapat menggunakan opsi pengaturan yang dijelaskan pada petunjuk penggunaan mesin dengan aman.
 - ▶ **Jangan gunakan kacamata pelihat laser (aksesori) sebagai kacamata pelindung.** Kacamata pelihat laser digunakan untuk mendeteksi sinar laser dengan lebih baik, namun tidak melindungi dari sinar laser.
 - ▶ **Jangan gunakan kacamata pelihat laser (aksesori) sebagai kacamata hitam atau di jalan raya.** Kacamata pelihat laser tidak menawarkan perlindungan penuh terhadap sinar UV dan mengurangi persepsi warna.
 - ▶ **Perhatian – jika perangkat pengoperasian atau perangkat pengaturan atau prosedur lain selain yang dituliskan di sini digunakan, hal ini dapat menyebabkan terjadinya paparan radiasi yang berbahaya.**
 - ▶ **Jangan mengganti laser pada perkakas listrik ini dengan laser tipe yang berbeda.** Laser yang tidak cocok pada perkakas listrik ini dapat berbahaya bagi orang lain.
 - ▶ **Waspada! Ketika menggunakan perkakas listrik dengan Bluetooth[®], gangguan dapat muncul pada perangkat dan instalasi lain, pesawat terbang, dan perangkat medis (misalnya alat pacu jantung, alat bantu dengar. Selain itu, cedera pada manusia dan binatang di area sekitar tidak dapat seluruhnya dihindari. Jangan menggunakan alat pengukur dengan Bluetooth[®] di dekat perangkat medis, pusat pengisian bahan bakar, instalasi kimia, area dengan bahaya ledakan, dan percikan api. Jangan menggunakan perkakas listrik dengan Bluetooth[®] di dalam pesawat terbang. Hindari pengoperasian di dekat kepala secara langsung dalam waktu yang lama.** Istilah merek Bluetooth[®] serta gambar simbol (logo) merupakan merek dagang terdaftar dan kepemilikan dari Bluetooth SIG, Inc. Setiap penggunaan istilah merek/gambar simbol ini berada di bawah lisensi Robert Bosch Power Tools GmbH.

Simbol-simbol

Simbol-simbol berikut dapat membantu Anda dalam menggunakan perkakas listrik. Pelajari dan ingat simbol-simbol berikut beserta maknanya. Pengertian yang betul dari simbol-simbol ini bisa membantu Anda untuk menggunakan perkakas listrik dengan lebih baik dan aman.

Simbol dan artinya



Sinar laser
Jangan melihat langsung dengan optik teleskop
Kelas laser 1M



Jangan mendekatkan tangan Anda pada area pemotongan saat perkakas listrik beroperasi. Terdapat risiko cedera jika menyentuh mata gergaji.



Kenakan masker pelindung debu.



Kenakan kaca mata pelindung.



Pakailah pelindung telinga. Suara bising dapat menyebabkan daya pendengaran berkurang.



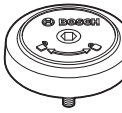
Area berbahaya! Jauhkan tangan, jari atau lengan dari area ini.



Jangan mendekatkan jari-jari Anda pada komponen yang bergerak pada lengan geser. Jari-jari dapat terjepit sehingga mengalami cedera parah.



Perhatikan ukuran mata gergaji. Diameter lubang harus sesuai dengan spindle perkakas dan tidak goyah. Jika penggunaan reduktor diperlukan, pastikan ukuran reduktor sesuai dengan ketebalan lembar baja, diameter lubang pada mata gergaji serta diameter spindle perkakas. Sebisa mungkin gunakan reduktor yang disediakan bersamaan dengan mata gergaji. Diameter mata gergaji harus sesuai dengan informasi pada simbol.



Menampilkan arah putaran baut SDS untuk mengencangkan mata gergaji (berlawanan arah jarum jam) dan untuk melonggarkan mata gergaji (searah jarum jam).



Untuk mengangkat, peganglah perkakas listrik hanya pada bagian-bagian yang ditandai ini (lekukan tempat memegang) atau pada gagang transpor.

Simbol dan artinya



Jangan pernah mengangkat perkakas listrik pada gagang pada lengan geser.



Pada sudut mitre vertikal, ekstensi rel pembatas kiri maupun kanan harus digeser atau dilepaskan sepenuhnya.



Mesin performa tinggi baru yang dikombinasikan dengan baterai ProCORE 18V memberikan performa yang sebanding dengan mesin pada perkakas listrik berkabel.



Gagang pengencang terbuka: Sudut mitre vertikal dapat diatur.



Gagang pengencang tertutup: Sudut mitre vertikal yang telah diatur dari lengan geser akan ditahan.



Menggambarkan setiap langkah untuk mengatur sudut mitre vertikal.

1. Kendorkan gagang pengencang
2. Gerakkan sedikit lengan geser ke kiri
3. Atur rentang sudut mitre vertikal yang diinginkan pada kenop putar



Mengatur rentang sudut mitre vertikal pada kenop putar:



Kemiringan mata gergaji ke kiri (45° hingga 0°)



Kemiringan mata gergaji ke kanan (0° hingga 45°)



Total area gerak lengan geser (-47° hingga +47°)

Spesifikasi produk dan performa



Bacalah semua petunjuk keselamatan dan petunjuk penggunaan. Kesalahan dalam menjalankan petunjuk keselamatan dan petunjuk penggunaan dapat mengakibatkan kontak listrik, kebakaran, dan/atau luka-luka yang berat.

Perhatikan ilustrasi yang terdapat pada sisi sampul panduan pengoperasian.

Tujuan penggunaan

Perkakas listrik ini digunakan sebagai perkakas tetap, cocok untuk memotong dalam arah memanjang dan melintang

dengan pemotongan tegak lurus pada kayu. Dengan begitu dapat diatur sudut potong horizontal sebesar -52° hingga $+60^\circ$ begitu pula sudut potong vertikal sebesar 47° (sisi kiri) hingga 47° (sisi kanan).

Kapasitas perkakas listrik sesuai untuk memotong kayu keras dan kayu lunak serta papan partikel dan fiberboard. Jika menggunakan mata gergaji yang sesuai, perkakas listrik juga dapat digunakan untuk memotong profil aluminium dan bahan sintetik.

Data dan pengaturan perkakas listrik dapat dikirimkan menggunakan modul *Bluetooth*[®] Low Energy **GCY 42** yang terpasang dengan menggunakan teknologi nirkabel *Bluetooth*[®] antara perkakas listrik dan perangkat seluler.

Ilustrasi komponen

Nomor-nomor dari bagian-bagian perkakas pada gambar sesuai dengan gambar perkakas listrik pada halaman bergambar.

- (1) Gagang
- (2) Kunci pengaman untuk tombol on/off
- (3) User Interface
- (4) Kap pelindung
- (5) Kap pelindung yang dapat bergerak
- (6) Rel pembatas yang dapat disetel
- (7) Rel pembatas
- (8) Ekstensi meja potong
- (9) Lubang untuk pemasangan
- (10) Pelat sisipan
- (11) Jepitan pengunci
- (12) Kenop pengunci untuk menyetel sudut mitre lainnya (horizontal)
- (13) Tuas untuk menyetel sudut mitre (horizontal)
- (14) Gagang pengencang untuk menyetel sudut mitre lainnya (vertikal)
- (15) Alur untuk sudut mitre standar (horizontal)
- (16) Lekukan tempat memegang
- (17) Kunci L (6 mm/4 mm)
- (18) Kunci L (2 mm)
- (19) Klem
- (20) Rol peluncur
- (21) Indikator sudut untuk rentang sudut mitre kanan (0° hingga 47°) (vertikal)
- (22) Deflektor serutan
- (23) Baut SDS
- (24) Ejektor serbuk
- (25) Tuas penjepit mekanisme peluncur
- (26) Adaptor pengisap
- (27) Baut penyetel pembatas kedalaman
- (28) Pembatas kedalaman
- (29) Label peringatan laser
- (30) Kap pelindung laser
- (31) Penutup modul *Bluetooth*[®] Low Energy GCY 42
- (32) Baterai^{a)}
- (33) Tombol pelepas baterai^{a)}
- (34) Lengan geser
- (35) Kunci transpor
- (36) Skala untuk sudut mitre (vertikal)
- (37) Indikator sudut untuk rentang sudut potong kiri (47° hingga 0°) (vertikal)
- (38) Kenop untuk sudut mitre $22,5^\circ$ (vertikal)
- (39) Sekrup pengunci mistar pembatas
- (40) Mistar pembatas
- (41) Skala untuk sudut mitre (horizontal)
- (42) Meja potong
- (43) Kenop putar untuk mengatur rentang sudut mitre (vertikal)
- (44) Mata gergaji
- (45) Outlet sinar laser
- (46) Indikator level pengisian daya baterai (User Interface)
- (47) Display mode ECO (User Interface)
- (48) Tombol untuk pemilihan awal kecepatan putaran (User Interface)
- (49) Display mode/tingkat kecepatan putaran (User Interface)
- (50) Display smartphone (User Interface)
- (51) Display status perkakas listrik (User Interface)
- (52) Display suhu (User Interface)
- (53) Pengunci spindel
- (54) Sekrup segi enam untuk mengencangkan mata gergaji
- (55) Flensa penjepit
- (56) Flensa penjepit dalam
- (57) Tuas penjepit untuk ekstensi meja potong
- (58) Sekrup pengunci rel pembatas yang dapat disetel
- (59) Peredam
- (60) Sekrup penyetel untuk peredaman
- (61) Lubang untuk klem
- (62) Baut kupu-kupu
- (63) Batang berulir
- (64) Indikator sudut untuk sudut mitre (horizontal)
- (65) Tombol on/off
- (66) Baut untuk pelat sisipan
- (67) Sekrup penjepit mistar pembatas
- (68) Sekrup penyetel untuk pengaturan posisi laser (perataan)
- (69)/ Sekrup penyetel untuk penyetelan dasar 0° (sudut mitre vertikal)
- (70)/
- (71)

- (72) Sekrup penyetel untuk penyetelan dasar 45° (sudut mitre kiri vertikal)
- (73) Sekrup penyetel untuk penyetelan dasar 45° (sudut mitre kanan vertikal)
- (74) Sekrup penyetel skala untuk sudut mitre (horizontal)
- (75) Sekrup untuk indikator sudut (horizontal)
- (76) Sekrup penyetel untuk daya jepit dari gagang pengencang untuk menyetel sudut mitre lainnya (vertikal)
- a) **Aksesori yang ada pada gambar atau yang dijelaskan tidak termasuk dalam lingkup pengiriman standar. Semua aksesori yang ada dapat Anda lihat dalam program aksesori kami.**

Data teknis

Mesin gergaji panel	GCM 18V-305 GDC	
Nomor seri	3 601 M43 0..	
Tegangan nominal	V=	18
Kecepatan idle ^{A)}	min ⁻¹	3000-4000
Kecepatan idle pada mode ECO ^{A)}	min ⁻¹	2550
Jenis laser	nm	650
	mW	< 1
Kelas laser		1M
Divergensi garis laser	mrاد (sudut satu putaran)	1,0
Berat sesuai dengan EPTA-Procedure 01:2014 ^{B)}	kg	26,9-27,8
Suhu sekitar yang direkomendasikan saat pengisian daya	°C	0 ... +35
Suhu sekitar yang diizinkan saat pengoperasian ^{C)} dan saat disimpan	°C	-20 ... +50
Baterai yang direkomendasikan	GBA 18V... ProCORE18V...	
Perangkat pengisian daya yang direkomendasikan	GAL 18... GAX 18... GAL 36...	
Pengiriman data		
Bluetooth®	Bluetooth® 4.2 (Low Energy) ^{D)}	
Jarak sinyal	s	8
Jangkauan sinyal maksimal ^{E)}	m	30
Ukuran mata gergaji yang sesuai		
Diameter mata gergaji	mm	305
Ketebalan lembar baja	mm	1,7-2,6
Lebar pemotongan maks.	mm	3,2

Mesin gergaji panel	GCM 18V-305 GDC	
Diameter lubang	mm	30

- A) Diukur pada suhu 20-25 °C dengan baterai **ProCORE18V 8.0Ah**.
- B) tergantung pada baterai yang digunakan
- C) daya terbatas pada suhu <0 °C
- D) Perangkat seluler harus kompatibel dengan perangkat **Bluetooth® Low Energy** (versi 4.2) dan mendukung Generic Access Profile (GAP).
- E) Jangkauan sinyal dapat berbeda-beda bergantung pada kondisi di luar serta perangkat penerima yang digunakan. Jangkauan **Bluetooth®** dapat sangat melemah jika berada di dalam ruangan tertutup dan melewati penghalang logam (contoh dinding, rak, koper, dll.).

Ukuran benda kerja yang diperbolehkan (maksimal/minimal): (lihat „Ukuran benda kerja yang diperbolehkan“, Halaman 166)

Cara memasang

- **Sebelum melakukan semua pekerjaan pada perkakas listrik (misalnya merawat, mengganti alat kerja, dsb.) serta selama transpor dan penyimpanan, keluarkanlah baterai dari perkakas listrik.** Terdapat risiko cedera apabila tombol untuk menghidupkan dan mematikan dioperasikan tanpa sengaja.

Lingkup pengiriman



Perhatikan ilustrasi lingkup pengiriman pada awal panduan pengoperasian.

Sebelum menggunakan perkakas listrik untuk pertama kalinya, periksalah apakah semua komponen di bawah ini disertakan:

- Mesin gergaji panel dengan mata gergaji yang terpasang **(44)**
- Kenop pengunci **(12)**
- Kunci L **(17)**
- Kunci L **(18)**
- Klem **(19)**
- Baut SDS **(23)**
- Kantung debu

Catatan: Periksa perkakas listrik dari kemungkinan kerusakan.

Sebelum melanjutkan menggunakan perkakas listrik, periksa dengan saksama semua komponen pelindung atau komponen yang sedikit rusak apakah komponen tersebut berfungsi dengan baik. Periksa apakah komponen yang bergerak berfungsi dengan baik dan tidak terjepit atau apakah ada komponen yang rusak. Semua bagian-bagian harus terpasang dengan benar dan memenuhi semua persyaratan guna menjamin penggunaan perkakas listrik yang sempurna.

Komponen perlindungan dan bagian-bagian yang rusak harus diperbaiki atau diganti di bengkel yang disetujui.

Perkakas yang diperlukan selain lingkup pengiriman:

- Obeng kembang

- Kunci pas (ukuran: 8 mm)
- Kunci ring, kunci pas atau kunci sok (ukuran: 10 mm dan 17 mm)

Mengaktifkan modul **Bluetooth® Low Energy GCY 42**

Untuk informasi mengenai modul **Bluetooth® Low Energy GCY 42**, baca panduan pengoperasian terkait.

Mengaktifkan baterai kancing

- Lepaskan penutup modul **Bluetooth® Low Energy GCY 42 (31)**.
- Lepaskan isolasi antara baterai kancing dan modul **Bluetooth® Low Energy GCY 42**.
- Tutup penutup (**31**) untuk mencegah kotoran masuk.
- **Lepas penutup modul Bluetooth® Low Energy GCY 42 pada perkakas listrik menggunakan obeng atau dengan koin besar.** Perkakas listrik atau penutup dapat rusak jika dibuka menggunakan benda-benda yang tidak sesuai.

Mengisi daya baterai

- **Hanya gunakan pengisi daya yang tercantum pada data teknis.** Hanya pengisi daya ini yang sesuai dengan baterai li-ion yang digunakan pada perkakas listrik Anda.

Catatan: Baterai dikirim dalam keadaan terisi sebagian.

Untuk memastikan kinerja penuh baterai, isi penuh daya baterai ke pengisi daya sebelum menggunakannya untuk pertama kali.

Daya baterai li-ion dapat diisi setiap saat tanpa mengurangi masa pakainya. Penghentian proses pengisian daya tidak merusak baterai.

Baterai li-ion terlindung dari pengosongan daya total dengan "Electronic Cell Protection (ECP)". Jika baterai habis, perkakas listrik dimatikan oleh pengaman: Alat sipisan berhenti beroperasi.

- **Jangan menekan kembali tombol on/off jika perkakas listrik mati secara otomatis.** Baterai dapat rusak.

Perhatikan petunjuk untuk membuang.



Melepaskan baterai

Baterai (**32**) memiliki dua level penguncian untuk mencegah baterai terlepas saat tombol pelepas baterai (**33**) ditekan secara tidak sengaja. Selama baterai berada di dalam perkakas listrik, baterai ditahan dalamudukannya dengan pegas.

Untuk melepaskan baterai, tekan tombol pelepas dan keluarkan baterai dari perkakas listrik. **Jangan melepaskan baterai dengan paksa.**

Indikator level pengisian daya baterai

LED berwarna hijau dari indikator level pengisian daya baterai menampilkan level pengisian daya baterai. Atas dasar keselamatan, permintaan level pengisian daya baterai hanya dapat dilakukan saat perkakas listrik dalam keadaan berhenti.

Tekan tombol indikator level pengisian daya baterai  atau  untuk menampilkan level pengisian baterai. Hal ini juga dapat dilakukan saat baterai dilepas.

Apabila LED tidak menyala setelah menekan tombol indikator level pengisian daya, terdapat kerusakan pada baterai dan baterai harus diganti.

Catatan: Level pengisian daya baterai juga ditampilkan pada User Interface (**3**).

Tipe baterai GBA 18V...



LED	Kapasitas
Lampu permanen 3× hijau	60–100 %
Lampu permanen 2× hijau	30–60 %
Lampu permanen 1× hijau	5–30 %
Lampu berkedip 1× hijau	0–5 %

Tipe baterai ProCORE18V...



LED	Kapasitas
Lampu permanen 5× hijau	80–100 %
Lampu permanen 4× hijau	60–80 %
Lampu permanen 3× hijau	40–60 %
Lampu permanen 2× hijau	20–40 %
Lampu permanen 1× hijau	5–20 %
Lampu berkedip 1× hijau	0–5 %

Memasang komponen-komponen

- Keluarkan semua komponen yang disediakan di kemasan dengan hati-hati.
- Singkirkan semua bahan kemasan dari perkakas listrik dan dari aksesoris yang disediakan.

Memasang kenop pengunci (lihat gambar a)

- Pasang kenop pengunci (**12**) ke lubang yang sesuai di atas tuas (**13**).
- **Sebelum mulai menggergaji, selalu kencangkan kenop pengunci (12).** Jika tidak, mata gergaji bisa tersangkut pada benda kerja.

Pemasangan stasioner atau fleksibel

- **Untuk menjamin keamanan kerja, perkakas listrik harus dipasang terlebih dulu di tempat kerja yang datar dan stabil (misalnya meja kerja) sebelum digunakan.**

Pemasangan di area kerja (lihat gambar b1)

- Kencangkan perkakas listrik di atas area kerja dengan sambungan sekrup yang sesuai. Untuk itu, gunakan lubang (**9**).

atau

- Kencangkan kaki perkakas listrik pada area kerja dengan klem yang tersedia secara komersial.

Pemasangan di meja kerja Bosch (lihat gambar b2)

(GTA 2500 W, GTA 2500 Compact, GTA 2600, GTA 3800)

Meja kerja GTA Bosch menahan kedudukan perkakas listrik di segala permukaan dengan kaki yang dapat disetel ketinggiannya. Dudukan benda kerja pada area kerja digunakan untuk menunjang benda kerja yang berukuran panjang.

- ▶ **Baca semua petunjuk peringatan keamanan yang tercantum untuk meja kerja.** Jika petunjuk untuk keamanan kerja dan penggunaan tidak dipatuhi, dapat terjadi kontak listrik, kebakaran dan/atau cedera parah.
- ▶ **Sebelum memasang perkakas listrik pada meja kerja, rakit dulu meja kerja dengan benar.** Perakitan yang tepat sangat penting dilakukan agar meja kerja tidak roboh.
- Pasang perkakas listrik di area kerja pada posisi pengangkutan.

Pengisapan debu/serbuk

Debu dari bahan-bahan seperti cat yang mengandung timbal, beberapa jenis kayu, bahan mineral dan logam dapat berbahaya bagi kesehatan. Menyentuh atau menghirup debu tersebut dapat mengakibatkan reaksi alergi dan/atau penyakit saluran pernapasan bagi pengguna atau orang yang berada di dekatnya.

Beberapa debu tertentu seperti misalnya debu kayu pohon ek atau pohon fagus silvatica dianggap dapat mengakibatkan penyakit kanker, terutama dalam campuran dengan bahan-bahan tambahan untuk pengolahan kayu (kromat, obat pengawet kayu). Bahan-bahan yang mengandung asbes hanya boleh dikerjakan oleh orang-orang yang ahli.

- Gunakanlah hanya pengisap debu yang cocok untuk mengisap bahan yang dikerjakan.
- Pastikan terdapat ventilasi udara yang baik di tempat kerja.
- Dianjurkan untuk memakai masker anti debu dengan filter kelas P2.

Taatilah peraturan-peraturan untuk bahan-bahan yang dikerjakan yang berlaku di negara Anda.

▶ **Hindari debu yang banyak terkumpul di tempat kerja.**

Debu dapat tersulut dengan mudah.

Pengisap debu/serbuk dapat tersumbat oleh debu, serbuk atau serpihan dari benda yang dikerjakan.

- Matikan perkakas listrik dan lepaskan baterai.
- Tunggu hingga mata gergaji benar-benar berhenti.
- Periksa penyebab tersumbatnya perkakas dan segera perbaiki.

Pengisapan eksternal

Untuk pengisapan, slang pengisap debu (Ø 35 mm) juga dapat disambungkan ke adaptor pengisap (26).

- Sambungkan slang pengisap debu dengan adaptor pengisap (26).

Mesin pengisap debu harus sesuai dengan bahan yang dikerjakan.

Gunakan mesin pengisap khusus saat mengisap debu yang sangat berbahaya bagi kesehatan, pemicu kanker atau debu kering.

Membersihkan adapter pengisap

Untuk menjamin pengisapan yang optimal, adapter pengisap debu (26) harus dibersihkan secara berkala.

- Lepas adapter pengisap debu (26) dengan diputar dari pembuangan serbuk (24).
- Singkirkan serpihan benda kerja dan serbuk.
- Tekan kembali adapter pengisap debu pada pembuangan serbuk dengan diputar hingga terkunci pada ring penahan pembuangan serbuk.

Mengganti mata gergaji

- ▶ **Sebelum melakukan semua pekerjaan pada perkakas listrik (misalnya merawat, mengganti alat kerja, dsb.) serta selama transpor dan penyimpanan, keluarkanlah baterai dari perkakas listrik.** Terdapat risiko cedera apabila tombol untuk menghidupkan dan mematikan dioperasikan tanpa sengaja.

- ▶ **Kenakan sarung tangan pelindung saat memasang mata gergaji.** Terdapat risiko cedera jika menyentuh mata gergaji.

Hanya gunakan mata gergaji dengan kecepatan putaran maksimal yang diperbolehkan yang lebih tinggi daripada kecepatan putaran tanpa beban dari perkakas listrik.

Hanya gunakan mata gergaji yang sesuai dengan data-data yang tercantum di dalam petunjuk pengoperasian yang diberikan dan diuji menurut peraturan EN 847-1 serta diberi tanda yang sesuai.

Hanya gunakan mata gergaji yang dianjurkan oleh produsen perkakas listrik ini dan yang sesuai untuk mengerjakan bahan yang hendak dikerjakan. Hal ini bertujuan untuk menghindari pemanasan berlebihan pada gigi gergaji pada saat menggergaji.

Pemasangan dengan sekrup segi enam (lihat gambar c1-c4)

Melepaskan mata gergaji

- Atur perkakas listrik pada posisi pengoperasian.
- Gerakkan kap pelindung yang dapat bergerak (5) ke belakang dan tahan kap pelindung yang dapat bergerak pada posisi ini.
- Putar sekrup heksagonal (54) dengan kunci L (4 mm) (17) dan tekan pengunci spindel (53) secara bersamaan hingga terkunci.
- Tekan dan tahan pengunci spindel (53) dan putar keluar sekrup heksagonal (54) searah jarum jam (ulir kiri!).
- Lepas flensa penjepit (55).
- Lepas mata gergaji (44).
- Arahkan kembali kap pelindung yang dapat bergerak secara perlahan ke bawah.

Memasang mata gergaji

- ▶ **Pada waktu memasang mata gergaji, perhatikan agar arah pemotongan gigi (arah panah pada mata gergaji) sesuai dengan arah panah pada kap pelindung!**

Jika perlu, bersihkan dahulu semua komponen yang akan dipasang sebelum melakukan pemasangan.

- Gerakkan kap pelindung yang dapat bergerak (5) ke belakang dan tahan kap pelindung yang dapat bergerak pada posisi ini.
- Pasang mata gergaji baru pada flensa penjepit bagian dalam (56).
- Pasang flensa penjepit (55) dan sekrup segi enam (54). Tekan pengunci poros (53) hingga terkunci dan kencangkan sekrup segi enam berlawanan arah jarum jam.
- Arahkan kembali kap pelindung yang dapat bergerak secara perlahan ke bawah.

Pemasangan dengan baut SDS (lihat gambar d)

- ▶ **Saat pemotongan mitre vertikal dan penggunaan baut SDS (23), pastikan baut SDS tidak dapat menyentuh permukaan benda kerja dengan menyesuaikan pengaturan pembatas kedalaman (28) sebelum menggergaji.** Hal ini mencegah baut SDS dan/atau benda kerja mengalami kerusakan.

Melepaskan mata gergaji

- Atur perkakas listrik pada posisi pengoperasian.
- Gerakkan kap pelindung yang dapat bergerak (5) ke belakang dan tahan kap pelindung yang dapat bergerak pada posisi ini.
- Putar baut SDS (23) dan tekan pengunci spindel (53) secara bersamaan hingga terkunci.
- Tekan dan tahan pengunci spindel (53) dan lepaskan baut SDS (23) searah jarum jam (ulir kiri!).
- Lepas flensa penjepit (55).
- Lepas mata gergaji (44).
- Arahkan kembali kap pelindung yang dapat bergerak secara perlahan ke bawah.

Memasang mata gergaji

- ▶ **Pada waktu memasang mata gergaji, perhatikan agar arah pemotongan gigi (arah panah pada mata gergaji) sesuai dengan arah panah pada kap pelindung!**

Jika perlu, bersihkan dahulu semua komponen yang akan dipasang sebelum melakukan pemasangan.

- Gerakkan kap pelindung yang dapat bergerak (5) ke belakang dan tahan kap pelindung yang dapat bergerak pada posisi ini.
- Pasang mata gergaji baru pada flensa penjepit bagian dalam (56).
- Pasang flensa penjepit (55) dan baut SDS (23). Tekan pengunci poros (53) hingga terkunci, lalu kencangkan baut SDS berlawanan arah jarum jam.
- Arahkan kembali kap pelindung yang dapat bergerak secara perlahan ke bawah.

Penggunaan

- ▶ **Sebelum melakukan semua pekerjaan pada perkakas listrik (misalnya merawat, mengganti alat kerja, dsb.) serta selama transpor dan penyimpanan, keluarkanlah baterai dari perkakas listrik.** Terdapat risiko cedera apabila tombol untuk menghidupkan dan mematikan dioperasikan tanpa sengaja.

Kunci transpor (lihat gambar A)

Kunci transpor (35) memungkinkan perkakas listrik dapat ditangani dengan lebih mudah saat dipindahkan ke lokasi yang berbeda.

Melepaskan penguncian perkakas listrik (susunan siap kerja)

- Tekan lengan geser (34) pada gagang (1) sedikit ke bawah untuk meringankan kunci transpor (35).
- Tarik sepenuhnya kunci transpor (35) ke luar.
- Gerakkan lengan geser (34) secara perlahan ke atas.

Mengunci perkakas listrik (susunan transpor)

- Dorong lengan geser (34) sepenuhnya ke belakang dan tahan pada posisi tersebut.
- Pindahkan lengan geser sejauh mungkin ke bawah hingga kunci transpor (35) dapat didorong sepenuhnya ke dalam.

Catatan lebih lanjut: (lihat „Mengangkut (lihat gambar Z)“, Halaman 169)

Mengunci lengan geser

Mekanisme luncur lengan geser (34) dapat dikunci dengan tuas penjepit (25). Tersedia dua posisi lengan geser:

- Lengan geser sepenuhnya digeser ke belakang (untuk pemotongan silang)
- Lengan geser sepenuhnya digeser ke depan (untuk posisi transpor yang ringkas)

Membuka penguncian lengan geser (lihat gambar B1)

Setelah kunci lengan geser (34) terbuka, mekanisme luncur dari lengan geser berfungsi sepenuhnya.

- Tekan tuas pengunci (25) ke bawah hingga maksimal.
- Pasak pengunci dari tuas pengunci melepaskan kedua sendi bawah dari lengan geser.

Mengunci lengan geser (lihat gambar B2)

Lengan geser digeser sepenuhnya ke belakang:

- Dorong lengan geser (34) ke belakang hingga maksimal.
- Kedua sendi atas dari lengan geser kini berada pada posisi tegak dan tertutup.
- Tarik tuas penjepit (25) ke atas hingga pasak pengunci berada di antara kedua sendi bawah dari lengan geser.
- Dengan demikian, lengan geser (34) yang digeser ke belakang sepenuhnya terkunci.

Lengan geser digeser sepenuhnya ke depan:

- Tarik lengan geser (34) ke depan hingga maksimal.
- Kini mekanisme luncur tertarik keluar sepenuhnya.

- Tarik tuas penjepit **(25)** ke atas hingga pasak pengunci berada di antara kedua sendi bawah dari lengan geser.
- Dengan demikian, lengan geser **(34)** yang tertarik sepenuhnya ke depan terkunci.

Persiapan pemakaian

Memperpanjang meja potong (lihat gambar C)

Benda kerja berukuran panjang harus dialasi atau ditopang pada ujungnya.

Saat menggergaji pada sudut potong horizontal dan/atau vertikal, rel pembatas yang dapat disetel **(6)** sisi kiri dan kanan harus ditarik keluar atau dilepas sepenuhnya tergantung pada arah pemotongan.

Meja potong dapat diperpanjang ke kiri dan kanan dengan menggunakan ekstensi meja potong **(8)**.

- Lipat tuas penjepit **(57)** ke dalam.
- Tarik alat untuk memperpanjang meja potong **(8)** ke luar hingga mencapai panjang yang diinginkan (maksimal 250 mm).
- Untuk mengencangkan ekstensi meja potong, tekan kembali tuas penjepit **(57)** ke luar.

Menggeser rel pembatas (lihat gambar D – E)

Sudut potong vertikal	Sudut potong horizontal	
0°–47° (kiri)	≤ 44° (kanan/kiri)	- Kendurkan sekrup pengunci (58) . - Tarik rel pembatas yang dapat disetel sisi kiri (6) ke luar sepenuhnya.
0°–47° (kiri)	≥ 45° (kanan/kiri)	- Kendurkan sekrup pengunci (58) . - Tarik rel pembatas yang dapat disetel sisi kiri (6) ke luar sepenuhnya. - Angkat rel pembatas yang dapat disetel. - Lepaskan sekrup pengunci (58) .
0°–47° (kanan)	≤ 44° (kanan/kiri)	- Kendurkan sekrup pengunci (58) . - Tarik rel pembatas yang dapat disetel sisi kanan (6) ke luar sepenuhnya.
0°–47° (kanan)	≥ 45° (kanan/kiri)	- Angkat rel pembatas yang dapat disetel.

Mengatur peredaman lengan geser (lihat gambar F)

Mekanisme luncur dari lengan geser **(34)** telah diatur sebelumnya oleh produsen dan saat pengiriman, mekanisme luncur dari perkakas listrik tidak diredamkan.

Peredaman mekanisme luncur dapat diatur secara individual pada peredam **(59)**:

- keras – gerakan kerja yang terkendali;
- lunak – pemotongan yang cepat dengan gergaji.
- Kendurkan kedua sekrup penyetel **(60)** dengan kunci L **(4 mm)** **(17)** untuk peredaman yang **lebih lunak**
- atau
- putar kedua sekrup penyetel **(60)** lebih kencang untuk peredaman yang **lebih keras**.

Mengencangkan benda kerja (lihat gambar G)

Untuk menjamin keamanan kerja yang optimal, benda kerja harus selalu dikencangkan.

Jangan mengerjakan benda yang terlalu kecil untuk dikencangkan.

- Tekan benda kerja dengan kuat pada rel pembatas **(7)** dan **(6)**.
- Pasang klem yang disediakan **(19)** pada salah satu lubang yang tersedia **(61)**.
- Kendurkan baut kupu-kupu **(61)** dan sesuaikan klem dengan benda kerja. Kencangkan kembali baut kupu-kupu.
- Kencangkan batang berulir **(63)** dengan kuat dan kencangkan benda kerja.

Melepaskan benda kerja

- Untuk mengendurkan klem, putar batang berulir **(63)** berlawanan arah jarum jam.

Menyetel sudut potong horizontal

Mengatur sudut potong horizontal standar (lihat gambar H)

Untuk mengatur sudut potong horizontal yang sering digunakan secara cepat dan tepat, terdapat alur pada meja potong **(15)**:

kiri	kanan
0°	
45°; 31,6°; 22,5°; 15°	15°; 22,5°; 31,6°; 45°; 60°

- Kendurkan kenop pengunci **(12)** jika gagang dikencangkan.
- Tarik tuas **(13)** dan putar meja potong **(42)** ke kiri atau kanan hingga mencapai alur yang diinginkan.
- Lepaskan kembali tuas. Tuas harus terasa terkunci ke dalam alur.
- Kencangkan kembali kenop pengunci **(12)**.

Mengatur sudut potong horizontal lainnya (lihat gambar I)

Sudut potong horizontal dapat diatur pada bidang antara 52° (sebelah kiri) hingga 60° (sebelah kanan).

- Kendurkan kenop pengunci **(12)** jika gagang dikencangkan.
- Tarik tuas **(13)** dan tekan jepitan pengunci **(11)** pada waktu yang bersamaan hingga terkunci pada alur yang

tersedia. Dengan demikian, meja potong dapat bergerak dengan bebas.

- Putar meja potong **(42)** pada kenop pengunci ke kiri atau kanan hingga indikator sudut **(64)** menunjukkan sudut potong yang diinginkan.
- Kencangkan kembali kenop pengunci **(12)**.
- Untuk mengendurkan kembali tuas **(13)** (untuk mengatur sudut potong horizontal standar), tarik tuas ke atas. Jepitan pengunci **(11)** kembali ke posisi semula dan tuas **(13)** dapat terkunci kembali ke dalam alur **(15)**.

Menyetel sudut potong vertikal

Sudut potong vertikal dapat diatur pada rentang antara 47° (sebelah kiri) hingga 47° (sebelah kanan).

Untuk mengatur sudut potong vertikal yang sering digunakan secara cepat dan tepat, tersedia pembatas untuk sudut 0°, 22,5° dan 45° dan 47°.

Mengatur rentang sudut potong vertikal sebelah kiri (45° hingga 0°)

L

- Tarik rel pembatas yang dapat disetel sisi kiri **(6)** ke luar sepenuhnya.
- Kendurkan gagang pengencang **(14)**.
- Putar lengan geser **(34)** pada gagang **(1)** ke kiri hingga indikator sudut **(37)** menunjukkan sudut potong vertikal yang diinginkan.
- Tahan lengan geser **(34)** pada posisi tersebut dan kencangkan kembali gagang pengencang **(14)**. Daya jepit dari gagang pengencang harus dapat menahan dengan baik posisi lengan geser pada tiap sudut potong vertikal.

Mengatur rentang sudut potong vertikal sisi kanan (0° hingga 45°) (lihat gambar J)

45° R

- Tarik rel pembatas yang dapat disetel sisi kanan **(6)** ke luar sepenuhnya.
- Kendurkan gagang pengencang **(14)**.
- Miringkan sedikit lengan geser **(34)** pada gagang **(1)** dari posisi 0° ke kiri dan putar kenop putar **(43)** hingga rentang sudut potong vertikal yang diinginkan ditampilkan.
- Gerakkan lengan geser **(34)** pada gagang **(1)** ke kanan hingga indikator sudut **(21)** menunjukkan sudut potong yang diinginkan.
- Tahan lengan geser **(34)** pada posisi tersebut dan kencangkan kembali gagang pengencang **(14)**. Daya jepit dari gagang pengencang harus dapat menahan dengan baik posisi lengan geser pada tiap sudut potong vertikal.

Mengatur sudut potong vertikal standar 0°

Agar sudut potong vertikal standar 0° dapat diatur kembali dengan mudah, kenop putar **(43)** terkunci pada rentang sudut potong vertikal sebelah kiri.

- Gerakkan lengan geser **(34)** dari sisi kanan ke posisi 0°.

Mengatur seluruh rentang sudut potong vertikal (-47° hingga +47°)

47°

- Tarik kedua rel pembatas yang dapat disetel **(6)** ke luar sepenuhnya.
- Kendurkan gagang pengencang **(14)**.
- Miringkan sedikit lengan geser **(34)** pada gagang **(1)** dari posisi 0° ke kiri dan putar kenop putar **(43)** hingga rentang sudut potong vertikal yang diinginkan ditampilkan.
- Gerakkan lengan geser **(34)** pada gagang **(1)** ke kiri atau kanan hingga indikator sudut **(37)** atau **(21)** menunjukkan sudut potong yang diinginkan.
- Tahan lengan geser **(34)** pada posisi tersebut dan kencangkan kembali gagang pengencang **(14)**. Daya jepit dari gagang pengencang harus dapat menahan dengan baik posisi lengan geser pada tiap sudut potong vertikal.

Mengatur sudut potong vertikal standar 22,5° (lihat gambar K)

Tarik kenop penyetel **(38)** ke luar sepenuhnya dan putar sebesar 90°. Kemudian gerakkan lengan geser **(34)** pada gagang **(1)** hingga lengan geser terdengar mengunci.

Mengatur sudut potong horizontal dan vertikal

Pengoperasian pertama kali

Memasang baterai

- Hanya gunakan baterai Li-ion Bosch yang asli dengan tegangan yang tercantum pada label tipe perkakas listrik Anda. Menggunakan baterai lain dapat menyebabkan cedera dan bahaya kebakaran.
- Pasang baterai **(32)** yang telah terisi daya ke dalam kompartemen baterai perkakas listrik hingga baterai terkunci dengan aman.

Menghidupkan (lihat gambar L)

- Untuk menghidupkan perkakas listrik, pertama geser kunci pengaman **(2)** ke tengah, kemudian tekan dan tahan tombol on/off **(65)**.

Catatan: Demi alasan keamanan, tombol on/off **(65)** tidak dapat dikunci, melainkan switch harus selalu ditekan selama pengoperasian.

Mematikan perkakas listrik

- Untuk mematikan perkakas listrik, lepaskan tombol untuk menghidupkan dan mematikan **(65)**.

Mode Eco

Jika perkakas listrik dioperasikan dalam mode Eco hemat energi, masa pengoperasian baterai dapat bertambah hingga 20 %.

Jika mode Eco aktif, simbol **E** ditampilkan pada display mode/tingkat kecepatan putaran (**49**). Display mode ECO (**47**) juga menyala.

User Interface

User Interface (**3**) digunakan untuk penyetelan awal kecepatan putaran dan menampilkan status perkakas listrik.

Pemilihan awal kecepatan putaran

Mode Eco dan 3 tingkat kecepatan putaran telah diatur sebelumnya.

Dengan tombol penyetelan awal kecepatan putaran (**48**), kecepatan putaran yang diperlukan juga dapat dipilih sebelumnya saat mengoperasikan perkakas listrik.

Tingkat kecepatan putaran	Kecepatan putaran [min^{-1}]
Eco	2550
1	3000
2	3500
3	4000

Display status

Indikator level pengisian daya baterai (User Interface) (46)	Arti/penyebab	Solusi
hijau (2 hingga 5 bar)	Baterai telah terisi daya	–
kuning (1 bar)	Baterai hampir kosong	Segera ganti atau isi daya baterai
merah (1 bar)	Baterai kosong	Ganti atau isi daya baterai

Display suhu (52)	Arti/penyebab	Solusi
kuning	Suhu kritis tercapai (mesin, elektronik, baterai)	Operasikan perkakas listrik pada posisi idle dan biarkan mendingin
merah	Perkakas listrik terlalu panas dan mati	Biarkan perkakas listrik mendingin

Display smartphone (50) dan display status perkakas listrik (51)	Arti/penyebab	Solusi
kuning	Pengingat layanan	Informasi lebih lanjut dapat dilihat di aplikasi Bosch Toolbox atau Layanan

Display status perkakas listrik (51)	Arti/penyebab	Solusi
hijau	Status OK	–
kuning	Suhu kritis tercapai atau baterai hampir kosong	Operasikan perkakas listrik pada posisi idle dan biarkan mendingin atau segera ganti atau isi daya baterai
merah	Perkakas listrik terlalu panas atau baterai kosong	Biarkan perkakas listrik mendingin atau ganti atau isi daya baterai
berkedip merah	Pelindung terhadap start ulang telah terpicu	Matikan dan hidupkan kembali perkakas listrik, jika perlu lepaskan baterai lalu pasang kembali.

Fungsi konektivitas

Bersama dengan modul *Bluetooth*[®] Low Energy GCY 42, fungsi konektivitas berikut tersedia untuk perkakas listrik:

- Pendaftaran dan personalisasi
- Cek status, tampilan pesan peringatan
- Informasi umum dan pengaturan
- Perawatan
- Pengaturan tingkat kecepatan putaran

Untuk informasi mengenai modul *Bluetooth*[®] Low Energy **GCY 42**, baca panduan pengoperasian terkait.

Display smartphone (**50**) akan menyala jika perkakas listrik mengirimkan informasi (misalnya peringatan suhu) menggunakan teknologi nirkabel *Bluetooth*[®] ke perangkat seluler.

Petunjuk pengoperasian

Petunjuk umum untuk menggerakkan

- ▶ **Sebelum menggerakkan, selalu kencangkan kenop pengunci (12) dan gagang pengencang (14).** Jika tidak, mata gergaji dapat tersangkut pada benda kerja.

- ▶ **Selalu kencangkan kenop penyetel (12) dan tuas pengunci sebelum menggergaji.** Jika tidak, mata gergaji dapat tersangkut pada benda kerja.
- ▶ **Sebelum mulai menggunakan perkakas listrik, periksalah mata gergaji agar tidak menyentuh rel pembatas, klem atau bagian yang lain dari perkakas. Jika perlu, lepaskan semua mistar pembantu yang dipasang atau sesuaikan pembatasnya.**
- ▶ **Perkakas listrik dengan modul Bluetooth® Low Energy GCY 42 yang terpasang dilengkapi dengan antarmuka nirkabel. Perhatikan batasan pengoperasian lokal, misalnya dalam pesawat terbang atau di rumah sakit.**
- ▶ **Area yang tidak mengizinkan penggunaan teknologi nirkabel Bluetooth®, modul Bluetooth® Low Energy GCY 42 dan baterai kancing harus dilepas.**

Benda kerja yang panjang dan berat harus dialasi atau ditopang pada ujungnya.

Jangan mengerjakan benda yang bengkok. Benda kerja harus selalu mempunyai tepi yang lurus untuk dirapatkan pada rel pembatas.

Hanya potong bahan yang disetujui sesuai ketentuan penggunaan.

Lindungilah mata gergaji terhadap benturan dan tumbukan. Jangan menekan mata gergaji dari samping.

Pastikan agar kap pelindung yang dapat bergerak dapat berfungsi dengan baik dan bergerak secara bebas. Kap pelindung yang dapat bergerak harus dalam keadaan terbuka saat menggerakkan lengan perkakas ke bawah. Kap pelindung yang dapat bergerak harus tertutup kembali di atas mata gergaji dan terkunci pada posisi teratas lengan perkakas saat menggerakkan lengan perkakas ke atas.

Menandai garis pemotongan (lihat gambar M)

Dua sinar laser menunjukkan garis pemotongan mata gergaji. Dengan demikian, benda kerja dapat ditempatkan secara tepat untuk digergaji tanpa harus membuka kap pelindung yang dapat bergerak.

- Untuk itu, nyalakan sinar laser dengan mengetuk singkat tombol on/off (65) tanpa menekan kunci pengaman (2).
- Arahkan tanda yang dibuat pada benda kerja di antara kedua garis laser.

Catatan: Sebelum menggergaji, periksa apakah garis pemotongan masih ditampilkan dengan benar (lihat „Menyesuaikan laser“, Halaman 167). Penyetelan sinar laser dapat berubah, misalnya oleh getaran saat menggunakan perkakas secara intensif.

Posisi pengguna perkakas listrik (lihat gambar N)

- ▶ **Jangan berdiri langsung dalam satu garis dengan perkakas listrik dan mata gergaji, melainkan selalu di samping mata gergaji.** Dengan demikian tubuh Anda akan terlindungi jika terjadi bantingan.
- Jauhkan tangan, jari dan lengan dari mata gergaji yang berputar.
- Jangan menyilangkan tangan Anda di depan lengan perkakas.

Mengganti pelat sisipan (lihat gambar O)

Pelat sisipan (10) dapat menjadi aus setelah perkakas listrik digunakan untuk waktu yang lama.

Ganti pelat sisipan yang rusak.

- Posisikan perkakas listrik pada posisi pengoperasian.
- Lepaskan sekrup (66) dengan kunci L (18) dan lepas pelat sisipan yang lama.
- Pasang pelat sisipan sisi kanan yang baru.
- Pasang pelat sisipan dengan sekrup (66) sejauh mungkin ke kanan sehingga mata gergaji tidak menyentuh pelat sisipan di sepanjang kemungkinan pergerakan.
- Ulangi langkah-langkah di atas pada pelat sisipan kiri yang baru.

Ukuran benda kerja yang diperbolehkan

Sudut mitre horizontal	Sudut mitre vertikal	Tinggi x Lebar [mm]
0°	0°	104 x 341 45 x 400 ^{A)} 120 x 200 ^{B)} 180 x 40
45° (kiri)	0°	104 x 240 180 x 20
0°	45° (kiri)	60 x 341
0°	45° (kanan)	40 x 341
45°	45° (kiri)	60 x 240
45°	45° (kanan)	40 x 240

A) Dengan pembatas jarak horizontal (tinggi x lebar: 60 mm x 400 mm)

B) Dengan pembatas jarak vertikal (tinggi x lebar: 72 mm x 50 mm)

Ukuran benda kerja **minimal** (= semua benda kerja yang dapat dijepit dengan klem (19) sisi kiri atau kanan mata gergaji yang disediakan): 160 mm x 35 mm (panjang x lebar)

Kedalaman pemotongan maksimal (0°/0°): 120 mm

Menggergaji

Menggergaji tanpa penarikan (menggergaji vertikal) (lihat gambar P)

- Dorong lengan geser (34) sepenuhnya ke belakang dan tahan pada posisi tersebut.
- Pastikan pembatas kedalaman (28) ditekan sepenuhnya ke dalam dan sekrup penyetel (27) sesuai dengan lubang saat menggerakkan lengan geser tanpa menyentuh pembatas kedalaman.
- Kencangkan benda kerja sesuai dengan ukurannya.
- Jika perlu, atur sudut potong yang diinginkan (horizontal dan/atau vertikal).
- Hidupkan perkakas listrik.
- Gerakkan lengan geser (34) dengan gagang (1) secara perlahan ke bawah.
- Gergaji benda kerja dengan dorongan yang merata.
- Matikan perkakas listrik dan tunggu hingga mata gergaji benar-benar berhenti.

- Gerakkan lengan geser (34) secara perlahan ke atas.

Menggergaji dengan penarikan (lihat gambar Q)

- ▶ **Pegang gagang dengan kuat sebelum menghidupkan perkakas listrik dan selama melakukan pekerjaan menggergaji. Selama menggergaji, kendalikan pergerakan perkakas listrik dengan lengan geser.** Jika pengguna tidak berkonsentrasi meski dalam waktu singkat, cedera dapat terjadi akibat lengan geser yang sangat mudah bergerak.
- Buka penguncian lengan geser (34). Periksa apakah mekanisme luncur siap beroperasi secara penuh dengan cara menarik dan mendorong lengan geser (34).
- Kencangkan benda kerja sesuai dengan ukurannya.
- Jika perlu, atur sudut potong yang diinginkan (horizontal dan/atau vertikal).
- Tarik lengan geser (34) dengan gagang (1) sejauh mungkin dari rel pembatas (7) hingga mata gergaji berada di depan benda kerja.
- Hidupkan perkakas listrik.
- Gerakkan lengan geser (34) dengan gagang (1) secara perlahan ke bawah.
- Kemudian, tekan lengan geser (34) ke arah rel pembatas (7) dan gergaji benda kerja dengan dorongan yang merata.
- Matikan perkakas listrik dan tunggu hingga mata gergaji benar-benar berhenti.
- Gerakkan lengan geser (34) secara perlahan ke atas.

Menggergaji benda kerja sama panjang (lihat gambar R)

Untuk menggergaji benda kerja sama panjang dengan mudah, mistar pembatas (40) (aksesori) dapat digunakan. Mistar pembatas dapat dipasang pada kedua sisi ekstensi meja potong (8).

- Kendurkan sekrup pengunci (39) lalu buka mistar pembatas (40) di atas sekrup penjepit (67).
- Kencangkan kembali sekrup pengunci (39).
- Atur ekstensi meja potong (8) ke panjang yang diinginkan.

Mengatur pembatas kedalaman (membuat alur) (lihat gambar S)

Jika hendak membuat alur atau menggunakan batas jarak, pembatas kedalaman harus disetel.

- Gerakkan pembatas kedalaman (28) ke luar.
- Gerakkan lengan geser (34) pada gagang (1) hingga mencapai posisi yang diinginkan.
- Putar baut penyetel (27) hingga ujung dari baut menyentuh pembatas kedalaman (28).
- Gerakkan lengan geser (34) secara perlahan ke atas.

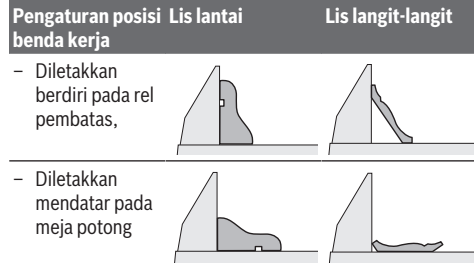
Benda kerja khusus

Saat menggergaji benda kerja dengan bentuk melengkung atau bulat, benda kerja tersebut harus dipegang dengan alat agar tidak tergeser. Pada jalur potong tidak boleh ada celah antara benda kerja, rel pembatas dan meja potong.

Jika perlu harus dibuat penahan khusus.

Mengerjakan lis profil

Lis profil dapat dikerjakan dengan dua cara yang berbeda:



Selain itu, pemotongan dapat dilakukan dengan atau tanpa gerakan penarikan tergantung pada lis profil.

Selalu lakukan uji coba sudut potong yang telah diatur (horizontal dan/atau vertikal) terlebih dulu pada kayu sisa.

Memeriksa dan mengatur pengaturan awal

Untuk menjamin pemotongan yang tepat, penyetelan dasar perkakas listrik harus diperiksa setelah perkakas listrik digunakan secara intensif dan jika perlu lakukan pengaturan. Untuk melakukannya, diperlukan pengalaman dan perkakas khusus yang sesuai.

Pusat layanan pelanggan Bosch akan melakukan pekerjaan ini dengan cepat dan baik.

Menyesuaikan laser

Catatan: Untuk melakukan uji fungsi laser, perkakas listrik harus disambungkan pada suplai daya.

- ▶ **Jangan pernah menekan tombol on/off selama melakukan penyesuaian laser (misalnya saat menggerakkan lengan perkakas).** Terdapat risiko cedera jika perkakas listrik dihidupkan tanpa disengaja.
- Posisikan perkakas listrik pada posisi pengoperasian.
- Putar meja potong (42) hingga ke alur yang diinginkan (15) pada sudut 0°. Tuas (13) harus benar-benar terkunci ke dalam alur.

Memeriksa (lihat gambar T1)

- Gambar satu garis pemotongan lurus pada benda kerja.
- Gerakkan lengan geser (34) dengan gagang (1) secara perlahan ke bawah.
- Arahkan benda kerja sedemikian rupa sehingga gigi mata gergaji sejajar dengan garis pemotongan.
- Kencangkan benda kerja pada posisi ini dan arahkan lengan geser secara perlahan ke atas.
- Kencangkan benda kerja.
- Nyalakan sinar laser pada switch .

Sinar laser harus berada pada sepanjang bagian sisi kanan dan kiri dengan jarak yang sama dari garis pemotongan, juga jika lengan geser diturunkan.

Mengatur (lihat gambar T2)

1. Mengatur sinar laser sebelah kanan:

- Putar sekrup penyetel bagian kanan **(68)** dengan kunci L **(18)** hingga sinar laser sebelah kanan sejajar dengan garis pemotongan yang digambarkan pada benda kerja. Dengan demikian, sinar laser sebelah kiri akan ikut berpindah.

Satu putaran berlawanan arah jarum jam akan menggerakkan sinar laser dari kiri ke kanan, satu putaran searah jarum jam menggerakkan sinar laser dari kanan ke kiri.

2. Mengatur sinar laser sebelah kiri:

- Putar sekrup penyetel bagian kiri **(68)** dengan kunci L **(18)** hingga sinar laser sebelah kiri berada di jarak yang sama dari garis pemotongan yang digambarkan pada benda kerja seperti sinar laser sebelah kanan.

Satu putaran berlawanan arah jarum jam akan menggerakkan sinar laser dari kiri ke kanan, satu putaran searah jarum jam menggerakkan sinar laser dari kanan ke kiri.

Mengatur sudut potong vertikal standar 0°

- Setel perkakas listrik pada posisi pengoperasian.
- Putar meja potong **(42)** hingga mencapai alur **(15)** untuk 0°. Tuas **(13)** harus terasa mengunci pada alur.

Memeriksa (lihat gambar U1)

- Atur mistar pengukur sudut pada 90° dan letakkan di atas meja potong **(42)**.

Kaki pengukur sudut harus rata dengan mata gergaji **(44)**.

Mengatur (lihat gambar U2)

- Kendurkan gagang pengencang **(14)**.
- Kendurkan kedua sekrup penyetel **(69)** (paling sedikit 1 putaran) dengan kunci sok (10 mm).
- Kendurkan sekrup penyetel **(71)** (sekitar 3 putaran) dengan kunci L (4 mm) **(17)**.
- Putar sekrup penyetel **(70)** dengan kunci L (4 mm) **(17)** sejauh mungkin ke dalam atau ke luar hingga kaki sudut dari mistar pengukur sudut rata dengan mata gergaji.
- Kencangkan kembali gagang pengencang **(14)**. Setelah itu, tarik terlebih dahulu sekrup penyetel **(71)** kemudian kencangkan kembali sekrup penyetel **(69)**.

Jika indikator sudut **(37)** dan **(21)** tidak berada pada satu garis dengan tanda 0° dari skala **(36)** setelah pengaturan dilakukan, kendurkan sekrup pengencang indikator sudut dengan obeng kembang dan arahkan indikator sudut sepanjang tanda 0°.

Mengatur sudut potong vertikal standar 45° (kiri)

- Setel perkakas listrik pada posisi pengoperasian.
- Putar meja potong **(42)** hingga mencapai alur **(15)** untuk 0°. Tuas **(13)** harus terasa mengunci pada alur.
- Tarik rel pembatas yang dapat diubah sebelah kiri **(6)** ke luar sepenuhnya.
- Kendurkan gagang pengencang **(14)** dan gerakkan lengan geser pada gagang **(1)** ke kiri hingga maksimal (45°).

Memeriksa (lihat gambar V1)

- Atur mistar pengukur sudut pada 45° dan letakkan di atas meja potong **(42)**.

Kaki pengukur sudut harus rata dengan mata gergaji **(44)**.

Mengatur (lihat gambar V2)

- Putar sekrup penyetel **(72)** dengan kunci pas (8 mm) sejauh mungkin ke dalam atau luar hingga kaki sudut dari mistar pengukur sudut rata dengan mata gergaji.
- Kencangkan kembali gagang pengencang **(14)**.

Jika indikator sudut **(37)** dan **(21)** tidak berada pada satu garis dengan tanda 45° dari skala **(36)** setelah pengaturan dilakukan, pertama periksa sekali lagi pengaturan 0° untuk sudut potong vertikal dan indikator sudut. Kemudian ulangi pengaturan sudut potong vertikal 45°.

Mengatur sudut potong vertikal standar 45° (kanan)

- Setel perkakas listrik pada posisi pengoperasian.
- Putar meja potong **(42)** hingga mencapai alur **(15)** untuk 0°. Tuas **(13)** harus terasa mengunci pada alur.
- Tarik rel pembatas yang dapat diubah sebelah kanan **(6)** ke luar sepenuhnya.
- Kendurkan gagang pengencang **(14)**.
- Miringkan sedikit lengan geser pada gagang **(1)** dari posisi 0° ke kiri dan putar kenop putar **(43)** hingga rentang sudut potong vertikal sebelah kanan ditampilkan.
- Gerakkan lengan geser pada pegangan **(1)** ke kanan hingga maksimal (45°).

Memeriksa (lihat gambar W1)

- Atur mistar pengukur sudut pada 135° dan letakkan di atas meja potong **(42)**.

Kaki pengukur sudut harus rata dengan mata gergaji **(44)**.

Mengatur (lihat gambar W2)

- Putar sekrup penyetel **(73)** dengan kunci pas (8 mm) sejauh mungkin ke dalam atau luar hingga kaki sudut dari mistar pengukur sudut sejajar dengan mata gergaji.
- Kencangkan kembali gagang pengencang **(14)**.

Jika indikator sudut **(37)** dan **(21)** tidak berada pada satu garis dengan tanda 45° dari skala **(36)** setelah pengaturan dilakukan, pertama periksa sekali lagi pengaturan 0° untuk sudut potong vertikal dan indikator sudut. Kemudian ulangi pengaturan sudut potong vertikal 45°.

Menyelaraskan skala untuk sudut potong horizontal

- Setel perkakas listrik pada posisi pengoperasian.
- Putar meja potong **(42)** hingga mencapai alur **(15)** untuk 0°. Tuas **(13)** harus terasa mengunci pada alur.

Memeriksa (lihat gambar X1)

- Atur mistar pengukur sudut pada 90° dan letakkan di antara rel pembatas **(7)** dan mata gergaji **(44)** di atas meja potong **(42)**.

Kaki pengukur sudut harus rata dengan mata gergaji **(44)**.

Mengatur (lihat gambar X2)

- Kendurkan keempat sekrup penyetel **(74)** dengan kunci L (4 mm) **(17)** dan putar meja potong **(42)** secara bersamaan dengan skala **(41)** hingga kaki pengukur sudut rata dengan mata gergaji.
- Kencangkan kembali sekrup.

Jika indikator sudut **(64)** tidak berada pada satu garis dengan tanda 0° dari skala **(41)** setelah pengaturan

dilakukan, kendurkan sekrup (75) dengan obeng kembang dan arahkan indikator sudut sepanjang tanda 0°.

Mengatur daya jepit gagang pengencang (14) (lihat gambar Y)

Daya jepit dari gagang pengencang (14) dapat diatur ulang.

Memeriksa

- Daya jepit dari gagang pengencang harus dapat menahan dengan baik kedudukan lengan geser pada semua sudut potong vertikal.

Mengatur

- Kendurkan gagang pengencang (14).
- Putar sekrup penyatel (76) dengan kunci sok (17 mm) berlawanan arah jarum jam untuk mengurangi daya jepit atau putar searah jarum jam untuk menambah daya jepit.
- Atur sudut potong vertikal, kencangkan kembali gagang pengencang (14) dan periksa apakah daya jepit yang diinginkan tercapai.

Mengangkut (lihat gambar Z)

Sebelum mengangkat perkakas listrik, langkah-langkah berikut harus dilakukan:

- Dorong lengan geser (34) sepenuhnya ke belakang dan tahan pada posisi tersebut.
 - Pastikan pembatas kedalaman (28) ditekan sepenuhnya ke dalam dan sekrup penyatel (27) sesuai dengan lubang saat menggerakkan lengan geser tanpa menyentuh pembatas kedalaman.
 - Pindahkan lengan geser sejauh mungkin ke bawah hingga kunci transpor (35) dapat didorong sepenuhnya ke dalam
 - Dorong ekstensi meja potong (8) ke dalam sepenuhnya.
 - Atur sudut mitre vertikal pada 0° dan kencangkan gagang pengencang (14).
 - Putar meja potong (42) ke kiri hingga maksimal dan kencangkan kenop pengunci (12).
 - Lepaskan semua komponen aksesoris yang tidak dapat dipasang dengan kencang pada perkakas listrik.
 - Selama pengangkutan, mata gergaji yang tidak digunakan sebaiknya disimpan di dalam tempat tertutup.
 - Untuk pengangkutan, genggam lekukan tempat memegang (16) pada sisi meja potong.
- Saat mengangkat perkakas listrik, hanya gunakan komponen transpor dan jangan pernah menggunakan komponen perlindungan, lengan geser atau gagang .

Perawatan dan servis

Perawatan dan pembersihan

- Sebelum melakukan semua pekerjaan pada perkakas listrik (misalnya merawat, mengganti alat kerja, dsb.) serta selama transpor dan penyimpanan, keluarkanlah baterai dari perkakas listrik. Terdapat risiko cedera apabila tombol untuk menghidupkan dan mematikan dioperasikan tanpa sengaja.

- Perkakas listrik dan lubang ventilasi harus selalu dibersihkan agar perkakas dapat digunakan dengan baik dan aman.

Kap pelindung yang dapat bergerak harus dapat bergerak secara bebas dan menutup sendiri. Karena itu, jaga kebersihan area di sekitar kap pelindung yang dapat bergerak.

Setelah setiap penggunaan, bersihkan perkakas listrik dari debu dan serbuk dengan cara ditiup dengan udara bertekanan atau dengan kuas.

Bersihkan rol peluncur (20) secara berkala.

Aksesoris

	Nomor seri
Kantung debu	1 609 B05 010
Meja kerja GTA 2500 W	0 601 B12 100
Meja kerja GTA 2500 Compact	0 601 B12 400
Meja kerja GTA 2600	0 601 B12 300
Meja kerja GTA 3800	0 601 B24 000

3 601 M43 000: Mata gergaji untuk kayu dan material tipis, panel dan lis

Standard for Wood 305 x 2,2/1,6 x 30 mm, 40 gigi	2 608 837 741
---	---------------

Standard for Wood 305 x 2,2/1,6 x 30 mm, 60 gigi	2 608 837 742
---	---------------

Standard for Wood 305 x 2,2/1,6 x 30 mm, 96 gigi	2 608 837 744
---	---------------

Expert for Wood 305 x 2,2/1,6 x 30 mm, 42 gigi	2 608 644 527
---	---------------

Expert for Wood 305 x 2,2/1,6 x 30 mm, 60 gigi	2 608 644 528
---	---------------

Expert for Wood 305 x 2,2/1,6 x 30 mm, 96 gigi	2 608 644 529
---	---------------

3 601 M43 000: Mata gergaji untuk aluminium

Standard for Aluminium 305 x 2,4/1,8 x 30 mm, 96 gigi	2 608 837 782
--	---------------

Expert for Aluminium 305 x 2,4/1,8 x 30 mm, 96 gigi	2 608 644 547
--	---------------

3 601 M43 000: Mata gergaji untuk pelat semen serat

Expert for Fibre Cement 305 x 2,2/1,6 x 30 mm, 8 gigi	2 608 644 559
--	---------------

Layanan pelanggan dan konsultasi penggunaan

Layanan pelanggan Bosch menjawab semua pertanyaan Anda tentang reparasi dan perawatan serta tentang suku cadang produk ini. Gambaran teknis (exploded view) dan informasi mengenai suku cadang dapat ditemukan di:

www.bosch-pt.com

Tim konsultasi penggunaan Bosch akan membantu Anda menjawab pertanyaan seputar produk kami beserta aksesorinya.

Jika Anda hendak menanyakan sesuatu atau memesan suku cadang, selalu sebutkan nomor model yang terdiri dari 10 angka dan tercantum pada label tipe produk.

Indonesia

PT Robert Bosch
Palma Tower 10th Floor
Jalan RA Kartini II-S Kaveling 6
Pondok Pinang, Kebayoran Lama
Jakarta Selatan 12310
Tel.: (021) 3005 5800
Fax: (021) 3005 5801
E-Mail: boschpowertools@id.bosch.com
www.bosch-pt.co.id

Alamat layanan lainnya dapat ditemukan di:

www.bosch-pt.com/serviceaddresses

Transpor

Pada baterai-baterai li-ion yang digunakan diterapkan persyaratan terkait peraturan-peraturan tentang bahan-bahan yang berbahaya. Baterai-baterai dapat diangkut oleh penggunaanya tanpa pembatasan lebih lanjut di jalan.

Pada pengiriman oleh pihak ketiga (misalnya transportasi udara atau perusahaan ekspedisi) harus ditaati syarat-syarat terkait kemasan dan pemberian tanda. Dalam hal ini, diperlukan konsultasi dengan ahli bahan-bahan berbahaya saat mengatur barang pengiriman.

Kirimkan baterai hanya jika housing-nya tidak rusak. Tutup bagian-bagian yang terbuka dan kemas baterai agar tidak bergerak-gerak di dalam kemasan. Taatilah peraturan-peraturan nasional lainnya yang mungkin lebih rinci yang berlaku di negara Anda.

Cara membuang



Perkakas listrik, baterai, aksesoris dan kemasan harus didaur ulang dengan cara yang ramah lingkungan.



Jangan membuang perkakas listrik, aki/baterai ke dalam sampah rumah tangga!

Baterai:

Li-ion:

Perhatikanlah petunjuk-petunjuk dalam bab Transpor (lihat „Transpor“, Halaman 170).

Tiếng Việt

Hướng dẫn an toàn

Cảnh báo Tổng quát Cách sử dụng An toàn Dụng cụ điện Cầm tay

⚠ CẢNH BÁO Hãy đọc toàn bộ các cảnh báo an toàn, hướng dẫn, hình ảnh và thông số kỹ thuật được cung cấp cho dụng cụ điện cầm tay này. Không tuân thủ mọi hướng dẫn được liệt kê dưới đây có thể bị điện giật, gây cháy và /hay bị thương tật nghiêm trọng. **Hãy giữ tất cả tài liệu về cảnh báo và hướng dẫn để tham khảo về sau.**

Thuật ngữ "dụng cụ điện cầm tay" trong phần cảnh báo là để cập đến sự sử dụng dụng cụ điện cầm tay của bạn, loại sử dụng điện nguồn (có dây cắm điện) hay vận hành bằng pin (không dây cắm điện).

Khu vực làm việc an toàn

- ▶ **Giữ nơi làm việc sạch và đủ ánh sáng.** Nơi làm việc bừa bộn và tối tăm dễ gây ra tai nạn.
- ▶ **Không vận hành dụng cụ điện cầm tay trong môi trường dễ gây nổ, chẳng hạn như nơi có chất lỏng dễ cháy, khí đốt hay rác.** Dụng cụ điện cầm tay tạo ra các tia lửa nên có thể làm rác bén cháy hay bốc khói.
- ▶ **Không để trẻ em hay người đến xem đứng gần khi vận hành dụng cụ điện cầm tay.** Sự phân tâm có thể gây ra sự mất điều khiển.

An toàn về điện

- ▶ **Phích cắm của dụng cụ điện cầm tay phải thích hợp với ổ cắm.** Không bao giờ được cài biến lại phích cắm dưới mọi hình thức. Không được sử dụng phích tiếp hợp nối tiếp đất (dây mát). Phích cắm nguyên bản và ổ cắm đúng loại sẽ làm giảm nguy cơ bị điện giật.
- ▶ **Tránh không để thân thể tiếp xúc với đất hay các vật có bề mặt tiếp đất như đường ống, lò sưởi, hàng rào và tủ lạnh.** Có nhiều nguy cơ bị điện giật hơn nếu cơ thể bạn bị tiếp hay nối đất.
- ▶ **Không được để dụng cụ điện cầm tay ngoài mưa hay ở tình trạng ẩm ướt.** Nước vào máy sẽ làm tăng nguy cơ bị điện giật.
- ▶ **Không được lạm dụng dây dẫn điện.** Không bao giờ được nắm dây dẫn để xách, kéo hay rút phích cắm dụng cụ điện cầm tay. Không để dây gần nơi có nhiệt độ cao, dầu nhớt, vật nhọn bén và bộ phận chuyển động. Làm hỏng hay cuộn rối dây dẫn làm tăng nguy cơ bị điện giật.
- ▶ **Khi sử dụng dụng cụ điện cầm tay ngoài trời, dùng dây nối thích hợp cho việc sử dụng ngoài trời.** Sử dụng dây nối thích hợp cho việc sử dụng ngoài trời làm giảm nguy cơ bị điện giật.

- ▶ **Nếu việc sử dụng dụng cụ điện cầm tay ở nơi ẩm ướt là không thể tránh được, dùng thiết bị ngắt mạch tự động (RCD) bảo vệ nguồn.** Sử dụng thiết bị ngắt mạch tự động RCD làm giảm nguy cơ bị điện giật.

An toàn cá nhân

- ▶ **Hãy tỉnh táo, biết rõ mình đang làm gì và hãy sử dụng ý thức khi vận hành dụng cụ điện cầm tay.** Không sử dụng dụng cụ điện cầm tay khi đang mệt mỏi hay đang bị tác động do chất gây nghiện, rượu hay dược phẩm gây ra. Một thoáng mất tập trung khi đang vận hành dụng cụ điện cầm tay có thể gây thương tích nghiêm trọng cho bản thân.
- ▶ **Sử dụng trang bị bảo hộ cá nhân.** Luôn luôn đeo kính bảo vệ mắt. Trang bị bảo hộ như khẩu trang, giày chống trượt, nón bảo hộ, hay dụng cụ bảo vệ tai khi được sử dụng đúng nơi đúng chỗ sẽ làm giảm nguy cơ thương tật cho bản thân.
- ▶ **Phòng tránh máy khởi động bất ngờ.** Bảo đảm công tắc máy ở vị trí tắt trước khi cắm vào nguồn điện và/hay lắp pin vào, khi nhấn máy lên hay khi mang xách máy. Ngáng ngón tay vào công tắc máy để xách hay kích hoạt dụng cụ điện cầm tay khi công tắc ở vị trí mở dễ dẫn đến tai nạn.
- ▶ **Lấy mọi chìa hay khóa điều chỉnh ra trước khi mở điện dụng cụ điện cầm tay.** Khóa hay chìa còn gắn dính vào bộ phận quay của dụng cụ điện cầm tay có thể gây thương tích cho bản thân.
- ▶ **Không rướn người.** Luôn luôn giữ tư thế đứng thích hợp và thẳng bằng. Điều này tạo cho việc điều khiển dụng cụ điện cầm tay tốt hơn trong mọi tình huống bất ngờ.
- ▶ **Trang phục thích hợp.** Không mặc quần áo rộng lủng thùng hay mang trang sức. Giữ tóc và quần áo xa khỏi các bộ phận chuyển động. Quần áo rộng lủng thùng, đồ trang sức hay tóc dài có thể bị cuốn vào các bộ phận chuyển động.
- ▶ **Nếu có các thiết bị đi kèm để nối máy hút bụi và các phụ kiện khác, bảo đảm các thiết bị này được nối và sử dụng tốt.** Việc sử dụng các thiết bị gom hút bụi có thể làm giảm các độc hại liên quan đến bụi gây ra.
- ▶ **Không để thói quen do sử dụng thường xuyên dụng cụ khiến bạn trở nên chủ quan và bỏ qua các quy định an toàn dụng cụ.** Một hành vi bất cẩn có thể gây ra thương tích nghiêm trọng chỉ trong tích tắc.

Sử dụng và bảo dưỡng dụng cụ điện cầm tay

- ▶ **Không được ép máy.** Sử dụng dụng cụ điện cầm tay đúng loại theo đúng ứng dụng của bạn. Dụng cụ điện cầm tay đúng chức năng sẽ

làm việc tốt và an toàn hơn theo đúng tiến độ mà máy được thiết kế.

- ▶ **Không sử dụng dụng cụ điện cầm tay nếu như công tắc không tắt và mở được.** Bất kỳ dụng cụ điện cầm tay nào mà không thể điều khiển được bằng công tắc là nguy hiểm và phải được sửa chữa.
 - ▶ **Rút phích cắm ra khỏi nguồn điện và/hay pin ra khỏi dụng cụ điện cầm tay nếu có thể tháo được, trước khi tiến hành bất kỳ điều chỉnh nào, thay phụ kiện, hay cất dụng cụ điện cầm tay.** Các biện pháp ngăn ngừa như vậy làm giảm nguy cơ dụng cụ điện cầm tay khởi động bất ngờ.
 - ▶ **Cất giữ dụng cụ điện cầm tay không dùng tới nơi trẻ em không lấy được và không cho người chưa từng biết dụng cụ điện cầm tay hay các hướng dẫn này sử dụng dụng cụ điện cầm tay.** Dụng cụ điện cầm tay nguy hiểm khi ở trong tay người chưa được chỉ cách sử dụng.
 - ▶ **Bảo quản dụng cụ điện cầm tay và các phụ kiện.** Kiểm tra xem các bộ phận chuyển động có bị sai lệch hay kẹt, các bộ phận bị rạn nứt và các tình trạng khác có thể ảnh hưởng đến sự vận hành của máy. Nếu bị hư hỏng, phải sửa chữa máy trước khi sử dụng. Nhiều tai nạn xảy ra do bảo quản dụng cụ điện cầm tay tồi.
 - ▶ **Giữ các dụng cụ cắt bén và sạch.** Bảo quản đúng cách các dụng cụ cắt có cạnh cắt bén làm giảm khả năng bị kẹt và dễ điều khiển hơn.
 - ▶ **Sử dụng dụng cụ điện cầm tay, phụ kiện, đầu cài v. v., đúng theo các chỉ dẫn này, hãy lưu ý đến điều kiện làm việc và công việc phải thực hiện.** Sự sử dụng dụng cụ điện cầm tay khác với mục đích thiết kế có thể tạo nên tình huống nguy hiểm.
 - ▶ **Giữ tay cầm và bề mặt nắm luôn khô ráo, sạch sẽ và không dính dầu mỡ.** Tay cầm và bề mặt nắm trơn trượt không đem lại thao tác an toàn và kiểm soát dụng cụ trong các tình huống bất ngờ.
- #### Sử dụng và bảo quản dụng cụ dùng pin
- ▶ **Chỉ được sạc pin lại với bộ nạp điện do nhà sản xuất chỉ định.** Bộ nạp điện thích hợp cho một loại pin có thể gây nguy cơ cháy khi sử dụng cho một loại pin khác.
 - ▶ **Chỉ sử dụng dụng cụ điện cầm tay với loại pin được thiết kế đặc biệt dành riêng cho máy.** Sử dụng bất cứ loại pin khác có thể dẫn đến thương tật hay cháy.
 - ▶ **Khi không sử dụng pin, để cách xa các vật bằng kim loại như kẹp giấy, tiền xu, chìa khóa, đinh, ốc vít hay các đồ vật kim loại nhỏ khác, thứ có thể tạo sự nối tiếp từ một đầu**

cực với một đầu cực khác. Sự chập mạch của các đầu cực với nhau có thể gây bỏng hay cháy.

- ▶ **Bảo quản ở tình trạng tối, dung dịch từ pin có thể tủa ra; tránh tiếp xúc.** Nếu vô tình chạm phải, hãy xối nước để rửa. Nếu dung dịch vào mắt, cần thêm sự hỗ trợ của y tế. Dung dịch tiết ra từ pin có thể gây ngứa hay bỏng.
- ▶ **Không được sử dụng bộ pin hoặc dụng cụ đã bị hư hại hoặc bị thay đổi.** Pin hỏng hoặc bị thay đổi có thể gây ra những tác động không lường trước được như cháy nổ hoặc nguy cơ thương tích.
- ▶ **Không đặt bộ pin hoặc dụng cụ ở gần lửa hoặc nơi quá nhiệt.** Tiếp xúc với lửa hoặc nhiệt độ cao trên 130°C có thể gây nổ.
- ▶ **Tuân thủ tất cả các hướng dẫn nạp và không nạp bộ pin hay dụng cụ ở bên ngoài phạm vi nhiệt độ đã được quy định trong các hướng dẫn.** Nạp không đúng cách hoặc ở nhiệt độ ngoài phạm vi nạp đã quy định có thể làm hư hại pin và gia tăng nguy cơ cháy.

Bảo dưỡng

- ▶ **Đưa dụng cụ điện cầm tay của bạn đến thợ chuyên môn để bảo dưỡng, chỉ sử dụng phụ tùng đúng chủng loại để thay.** Điều này sẽ đảm bảo sự an toàn của máy được giữ nguyên.
- ▶ **Không bao giờ sửa chữa các bộ pin đã hư hại.** Chỉ cho phép nhà sản xuất hoặc các nhà cung cấp dịch vụ có ủy quyền thực hiện dịch vụ sửa chữa cho các bộ pin.

Cảnh báo an toàn cho cửa kiểu cung

- ▶ **Các cửa kiểu cung được dùng để cắt gỗ hoặc các sản phẩm giống gỗ, không thể dùng các cửa này với các bánh mài cắt đứt để cắt các vật liệu dạng thanh, đòn, chốt.** Bụi mài mòn khiến các bộ phận chuyển động ví dụ như tấm chắn bảo vệ phía dưới bị kẹt. Các tia lửa từ quá trình mài cắt đứt sẽ đốt cháy tấm chắn bảo vệ bên dưới, lớp chèn rãnh khoét và các bộ phận bằng nhựa khác.
- ▶ **Sử dụng kẹp để đỡ phôi gia công bất cứ khi nào có thể.** Nếu đỡ phôi gia công bằng tay, phải luôn giữ tay cách xa một trong hai phía của lưỡi cửa ít nhất là 100 mm. Không sử dụng cửa này để cắt các chi tiết quá nhỏ khó kẹp chặt hoặc khó giữ chặt bằng tay. Nếu tay của bạn đặt quá gần lưỡi cửa, sẽ có nguy cơ bị thương do chạm vào lưỡi cửa.
- ▶ **Phôi gia công phải tĩnh và được kẹp chặt hoặc giữ chặt vào cả tấm chắn và bàn.** Không cho phôi gia công vào lưỡi hoặc cắt bằng tay trần dưới bất kỳ hình thức nào. Các phôi gia công động hoặc không được kim giữ có thể bắn với tốc độ cao, gây ra thương tích.
- ▶ **Đẩy cửa xuyên qua phôi gia công.** Không kéo cửa xuyên qua phôi gia công. Để cắt, hãy

nâng cao đầu cửa và kéo nó qua phía trên phôi gia công mà không cắt, khởi động mô tơ, nhấn đầu cửa xuống và đẩy cửa xuyên qua phôi gia công. Việc cắt theo hành trình đi lên có thể khiến lưỡi cửa đi lên phần đỉnh của phôi gia công và làm văng mạnh cụm lưỡi cửa vào người vận hành.

- ▶ **Không được đặt tay ngang qua đường sắp cắt ở phía trước hoặc phía sau lưỡi cửa.** Việc đỡ phôi gia công bằng “hai tay chéo nhau” ví dụ như giữ phôi gia công ở bên phải của lưỡi cửa bằng tay trái và ngược lại sẽ rất nguy hiểm.
- ▶ **Không với tay ra phía sau tấm chắn mà chỉ cách mỗi phía của lưỡi cửa chưa đến 100 mm, để loại bỏ vụn gỗ, hoặc vì lý do nào khác trong khi lưỡi dao đang quay.** Độ gần giữa lưỡi cửa đang quay với bàn tay bạn có thể không rõ ràng và có thể gây ra thương tích nặng.
- ▶ **Kiểm tra phôi gia công trước khi cắt.** Nếu phôi bị cong vênh, hãy kẹp phôi gia công có mặt ngoài cong vênh vào tấm chắn. Luôn đảm bảo không có khe hở giữa phôi gia công, tấm chắn và bàn dọc theo đường cắt. Phôi cong vênh có thể bị vắn xoắn hoặc biến dạng và có thể làm kẹt lưỡi cửa đang quay trong khi cắt. Không được có đinh hoặc các vật lạ trong phôi gia công.
- ▶ **Không sử dụng cửa cho đến khi đã dọn sạch tất cả các dụng cụ, vụn gỗ., trên bàn, ngoài trừ phôi gia công.** Những mảnh vụn nhỏ, các mảnh gỗ lỏng hoặc những vật thể khác khi tiếp xúc với lưỡi dao đang quay có thể bị văng ra với tốc độ cao.
- ▶ **Mỗi lần chỉ cắt một phôi gia công.** Nhiều phôi gia công xếp chồng có thể không được kẹp chặt và gia cố chặt, do đó có thể gây kẹt hoặc làm biến dạng lưỡi cửa trong quá trình cắt.
- ▶ **Đảm bảo cửa kiểu cung đã được lắp và định vị cân bằng, gia cố bề mặt làm việc trước khi sử dụng.** Bề mặt làm việc bằng phẳng và chắc chắn sẽ giảm nguy cơ không ổn định của cửa kiểu cung.
- ▶ **Lập kế hoạch công việc.** Mỗi lần bạn thay đổi thiết lập góc xiên hoặc góc 45 độ, hãy đảm bảo tấm chắn điều chỉnh được lắp đặt đúng cách để đỡ phôi gia công và sẽ không gây trở ngại cho lưỡi cửa hay hệ thống chắn. Nếu dụng cụ không quay khi được “BẬT” và không có phôi gia công trên bàn, hãy đưa lưỡi cửa xuyên qua một đường cắt mô phỏng hoàn thiện để đảm bảo sẽ không có trở ngại hoặc nguy hiểm nào khi tấm chắn bị cắt.
- ▶ **Cung cấp đầy đủ các dụng cụ đỡ ví dụ như các phần mở rộng bàn, bệ đỡ máy cửa, vv cho loại phôi gia công rộng hơn hoặc dài hơn chóp bàn.** Các phôi gia công dài hơn hoặc rộng hơn bàn cửa kiểu cung có thể bị đổ nếu không được đỡ chắc chắn. Nếu chi tiết cắt hoặc phôi

gia công bị đổ, nó có thể nhấn bồng tấm chắn bên dưới hoặc bị văng xa bởi lưỡi cửa đang quay.

- ▶ **Không sử dụng một người khác để thay thế phần mở rộng bàn hoặc làm vật đỡ bổ sung.** Việc đỡ phôi gia công không chắc chắn có thể khiến lưỡi cửa bị kẹt hoặc phôi gia công bị biến dạng trong lúc cắt, do đó bạn và người trợ giúp có thể bị kéo vào lưỡi cửa đang quay.
- ▶ **Không được chèn hoặc nhấn chi tiết cắt bằng bất kỳ công cụ nào tỳ vào lưỡi cửa đang quay.** Nếu bị giới hạn, tức là sử dụng các cỡ chặn chiều dài, chi tiết cắt có thể bị chèn chặt vào lưỡi cửa và bị văng mạnh.
- ▶ **Luôn sử dụng kẹp hoặc đồ gá được thiết kế để đỡ các vật liệu hình tròn như thanh đòn hoặc ống.** Các thanh đòn có xu hướng lăn đi khi bị cắt, khiến lưỡi cửa bị "kẹt" và kéo sản phẩm cùng tay bạn vào lưỡi cửa.
- ▶ **Để lưỡi cửa đạt tốc độ đầy đủ trước khi cho chạm vào phôi gia công.** Việc này sẽ làm giảm nguy cơ phôi gia công bị văng đi.
- ▶ **Nếu phôi gia công hoặc lưỡi cửa bị kẹt, hãy tắt cửa kiểu cung. Chờ cho tất cả các bộ phận chuyển động dừng lại và rút phích cắm ra khỏi nguồn điện và/hoặc tháo bộ nguồn pin.** Sau đó gỡ vật liệu bị kẹt. Nếu tiếp tục cửa khi phôi gia công bị kẹt có thể gây mất kiểm soát hoặc làm hư hỏng cửa kiểu cung.
- ▶ **Sau khi cắt xong, hãy nhả công tắc, giữ đầu cửa xuống dưới và chờ cho lưỡi cửa dừng lại trước khi bỏ chi tiết cắt ra.** Với tay vào gần lưỡi cửa đang trượt xuống sẽ rất nguy hiểm.
- ▶ **Giữ tay cầm chắc chắn khi thực hiện một đường cắt chưa hoàn thiện hoặc khi nhả công tắc trước khi đầu cửa ở vị trí bên dưới.** Hành động phanh của cửa có thể khiến đầu cửa bị kéo xuống đột ngột, dẫn đến nguy cơ bị thương.
- ▶ **Không buông tay cầm khi đầu cửa, nếu đã đến vị trí thấp nhất. Luôn dẫn đầu cửa vào vị trí cao nhất bằng tay.** Nếu đầu cửa di chuyển mất kiểm soát, sẽ có nguy cơ bị thương.
- ▶ **Giữ nơi làm việc của bạn sạch sẽ.** Các hỗn hợp vật liệu là đặc biệt nguy hiểm. Bụi kim loại nhẹ có thể cháy hoặc nổ.
- ▶ **Không được sử dụng lưỡi cửa cùn, nứt, cong hay đã bị hỏng.** Lưỡi cửa không bén hay mài dũa không đúng cách tạo ra mạch cửa hẹp dẫn đến sự ma sát quá mức, lưỡi cửa bị chèn chặt và dội ngược.
- ▶ **Không được sử dụng lưỡi cửa thép gió (HSS).** Những loại lưỡi cửa như vậy có thể vỡ dễ dàng.
- ▶ **Luôn sử dụng các lưỡi cửa đúng kích cỡ và hình dáng (lưỡi kim cương khác với lưỡi tròn) của lỗ tâm.** Các lưỡi cửa không khớp với các

phụ kiện cứng ghép nối của máy cửa sẽ làm lệch tâm và có thể làm mất kiểm soát.

- ▶ **Luôn luôn đẩy cần máy trở về vị trí số không trước và sau đó tắt máy.** Luôn luôn đưa tay máy về lại vị trí trung gian trước, rồi sau đó mới tắt máy đi.
- ▶ **Không được chạm vào lưỡi cửa sau khi vừa hoạt động xong, trước khi lưỡi cửa đã nguội.** Lưỡi cửa trở nên rất nóng trong lúc hoạt động.
- ▶ **Trong trường hợp pin bị hỏng hay sử dụng sai cách, hơi nước có thể bốc ra. Pin có thể cháy hoặc nổ.** Hãy làm cho thông thoáng khí và trong trường hợp bị đau phải nhờ y tế chữa trị. Hơi nước có thể gây ngứa hệ hô hấp.
- ▶ **Không được tháo pin ra.** Nguy cơ bị chập mạch.
- ▶ **Pin có thể bị hư hại bởi các vật dụng nhọn như đinh hay tuốc-nơ-vít hoặc bởi các tác động lực từ bên ngoài.** Nó có thể dẫn tới đoản mạch nội bộ và làm pin bị cháy, bốc khói, phát nổ hoặc quá nóng.
- ▶ **Chỉ sử dụng pin trong các sản phẩm của nhà sản xuất.** Chỉ bằng cách này, pin sẽ được bảo vệ tránh nguy cơ quá tải.



Bảo vệ pin không để bị làm nóng, ví dụ, chống để lâu dài dưới ánh nắng gay gắt, lửa, chất bẩn, nước, và sự ẩm ướt. Có nguy cơ nổ và chập mạch.



- ▶ **Không bao giờ được làm cho các dấu hiệu cảnh báo trên máy không thể đọc được.**
- ▶ **Dùng cụ điện được dán nhãn cảnh báo laser (xem bảng "Các biểu tượng và ý nghĩa").**



Không được hướng tia laze vào người hoặc động vật và không được nhìn vào tia laze trực tiếp hoặc phản xạ. Bởi vì bạn có thể chiếu lóa mắt người, gây tai nạn hoặc gây hỏng mắt.

- ▶ **Nếu tia laze hướng vào mắt, bạn phải nhắm mắt lại và ngay lập tức xoay đầu để tránh tia laze.**
- ▶ **Không sử dụng các dụng cụ thu thập quang học như ống nhòm hoặc để quan sát nguồn phóng xạ.** Bạn có thể gây hỏng mắt họ.
- ▶ **Không hướng tia laze vào người đang nhìn qua ống nhòm hoặc tương tự.** Bạn có thể gây hỏng mắt họ.
- ▶ **Không thực hiện bất kỳ thay đổi nào ở thiết bị laze.** Bạn có thể sử dụng các thiết lập được mô tả trong sách hướng dẫn này một cách an toàn.
- ▶ **Không sử dụng kính nhìn tia laser (Phụ kiện) làm kính bảo vệ.** Kính nhìn tia laser dùng để nhận biết tốt hơn tia laser; tuy nhiên kính không giúp bảo vệ mắt khỏi tia laser.
- ▶ **Không sử dụng kính nhìn tia laser (Phụ kiện) làm kính mát hoặc trong giao thông đường**

bộ. Kính nhìn tia laser không chống UV hoàn toàn và giảm thiểu thụ cảm màu sắc.

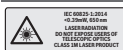
- ▶ **Thận trọng - nếu những thiết bị khác ngoài thiết bị hiệu chỉnh hoặc thiết bị điều khiển được nêu ở đây được sử dụng hoặc các phương pháp khác được tiến hành, có thể dẫn đến phơi nhiễm phóng xạ nguy hiểm.**
- ▶ **Không được thay thế hay lắp đặt laze bằng một loại laze khác.** Loại laze không thích hợp với dụng cụ điện này có thể làm cho những người khác bị nguy hiểm.
- ▶ **Cẩn thận! Nếu sử dụng dụng cụ điện với cổng Bluetooth® có thể gây nhiễu các dụng cụ, thiết bị khác cũng như máy bay và dụng cụ y tế (ví dụ: máy tạo nhịp tim, máy trợ thính). Và cũng không thể loại trừ hoàn toàn những tổn hại cho người và động vật ở môi trường trực diện xung quanh. Không sử dụng dụng cụ điện có kết nối Bluetooth® ở gần những thiết bị y tế, trạm xăng, cơ sở hóa học, các khu vực có nguy cơ gây nổ và các khu vực cháy nổ. Không sử dụng dụng cụ điện có kết nối Bluetooth® trên máy bay. Tránh để máy hoạt động gần cơ thể trong thời gian dài.**

Biểu tượng chữ Bluetooth® cũng như biểu tượng ảnh (các logo) do công ty cổ phần Bluetooth SIG đăng ký nhãn hiệu và sở hữu. Công ty trách nhiệm hữu hạn Robert Bosch Power Tools GmbH đã được cấp phép để sử dụng những biểu tượng chữ/biểu tượng ảnh này với sản phẩm của mình.

Các Biểu Tượng

Các biểu tượng sau đây có khả năng diễn đạt ý nghĩa về cách sử dụng dụng cụ điện cầm tay của bạn. Xin vui lòng ghi nhận các biểu tượng và ý nghĩa của chúng. Sự hiểu đúng các biểu tượng sẽ giúp bạn sử dụng máy một cách tốt và an toàn hơn.

Biểu tượng và các ý nghĩa của chúng



Tia laser
Chú ý không nhìn trực tiếp vào thấu kính Laser cấp 1M



Đề tay tránh khỏi phạm vi cắt khi máy đang hoạt động. Có nguy cơ gây thương tích khi chạm vào lưỡi cửa.



Hãy mang mặt nạ chống bụi.

Biểu tượng và các ý nghĩa của chúng



Hãy mang kính bảo hộ.



Hãy mang dụng cụ bảo vệ tai.
Để tai trần tiếp xúc với tiếng ồn có thể làm mất thính giác.



Phạm vi nguy hiểm! Để tay, ngón tay hay cánh tay ra xa khỏi phạm vi này.

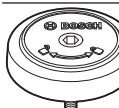


Không đưa ngón tay vào giữa các chi tiết của cần trượt. Nguy hiểm do các ngón tay bị nghiền hay giập và bị thương tích nghiêm trọng.



Hãy tuân thủ kích thước của lưỡi cửa. Đường kính lỗ phải vừa vặn với trục máy của dụng cụ, không bị lỏng lẻo. Nếu cần sử dụng ống nối chuyển tiếp, hãy đảm bảo rằng các kích thước của ống nối chuyển tiếp phải phù hợp với độ dày thép lá và đường kính lỗ của lưỡi cửa cũng như đường kính của trục dụng cụ. Hãy sử dụng ống nối chuyển tiếp giao kèm với lưỡi cửa.

Đường kính lưỡi cửa phải phù hợp với thông số trên biểu tượng.



Hiện thị hướng xoay của bu lông SDS để siết chặt lưỡi cửa (ngược chiều kim đồng hồ) và nới lỏng lưỡi cửa (theo chiều kim đồng hồ).



Khi vận chuyển máy, chỉ nắm máy tại vị trí đã được chỉ rõ (phần lõm của tay nắm) hay bằng tay nắm dùng khi di chuyển.



Không bao giờ được sử dụng tay nắm của cần trượt để xách dụng cụ điện.



Trong các êke góc vuông, bạn cần phải dịch chuyển phần mở rộng của các ray cơ bản bên trái và bên phải hoặc di chuyển tất cả.



Động cơ hiệu suất cao mới, kết hợp với pin ProCORE-18V, cung cấp hiệu suất tương đương với các

Biểu tượng và các ý nghĩa của chúng

động cơ trong các dụng cụ điện có dây.



Cần khóa mở:
Có thể điều chỉnh góc xiên đứng.

Cần khóa đóng:
Góc xiên đứng đã điều chỉnh của cần trượt được giữ chắc.



Chỉ rõ từng bước điều chỉnh góc xiên.

1. Nới lỏng cần khóa
2. Xoay nhẹ cần trượt sang trái
3. Điều chỉnh tâm giới hạn góc xiên đứng bằng núm xoay



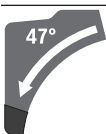
Điều chỉnh tâm giới hạn góc xiên đứng bằng núm xoay:



Nghiêng lưỡi cưa sang trái (45° đến 0°)



Nghiêng lưỡi cưa sang phải (0° đến 45°)



Toàn bộ khu vực xoay của cần trượt (-47° đến +47°)

Mô Tả Sản Phẩm và Đặc Tính Kỹ Thuật

Đọc kỹ mọi cảnh báo an toàn và mọi hướng dẫn. Không tuân thủ mọi cảnh báo và hướng dẫn được liệt kê dưới đây có thể bị điện giật, gây cháy và / hay bị thương tật nghiêm trọng.

Xin lưu ý các hình minh hoạt trong phần trước của hướng dẫn vận hành.

Sử dụng đúng cách

Dụng cụ điện được thiết kế là máy đặt cố định để cắt gỗ theo đường thẳng và chéo. Có thể đạt góc vát ngang từ -52° đến +60° cũng như góc xiên đứng từ 47° (bên trái) đến 47° (bên phải).

Năng suất của dụng cụ điện được thiết kế để cưa gỗ cứng và gỗ mềm như tấm gỗ ép và tấm xơ ép. Khi sử dụng lưỡi cưa thích hợp, việc cưa nhôm định hình và nhựa cũng có thể được.

Khi *Bluetooth*[®] Low Energy Module được sử dụng, dữ liệu và các cài đặt của dụng cụ điện có thể được truyền đi giữa dụng cụ điện và một thiết bị đầu cuối di động **GCY 42** bằng công nghệ sóng vô tuyến *Bluetooth*[®].

Các bộ phận được minh họa

Sự đánh số các biểu tượng của sản phẩm là để tham khảo hình minh họa của máy trên trang hình ảnh.

- (1) Tay Nắm
- (2) Núm nhả khóa của công tắc Tắt/Mở
- (3) Giao diện người dùng
- (4) Chắn bảo vệ lưỡi
- (5) Chắn đàn hồi bảo vệ lưỡi
- (6) Chấn điều chỉnh được
- (7) thước dẫn hướng
- (8) Bàn Cưa mở rộng
- (9) Lỗ lắp bắt
- (10) Thanh chèn
- (11) Khóa khung
- (12) Núm khóa dành cho các góc vát khác nhau (ngang)
- (13) Cần điều chỉnh góc vát (ngang)
- (14) Cần khóa cố định các góc vát khác nhau (đứng)
- (15) Mẫu khóa cho góc vát tiêu chuẩn (ngang)
- (16) Chỗ lõm để nắm
- (17) Chia vận lục giác (6 mm/4 mm)
- (18) Chia vận lục giác (2 mm)
- (19) Gá kẹp nhanh
- (20) Bánh lăn
- (21) Chỉ báo góc cho tâm giới hạn góc xiên phải (0° đến 47°) (đứng)
- (22) Bộ phận dẫn phoi
- (23) Bu lông SDS
- (24) Vít khóa cầu thanh
- (25) Cần khóa cơ cấu trượt
- (26) Cút nối ống hút
- (27) Vít điều chỉnh cỡ định độ sâu
- (28) Cỡ định độ sâu
- (29) Nhãn cảnh báo laser
- (30) Chụp bảo vệ laser
- (31) Nắp *Bluetooth*[®] Low Energy Module GCY 42
- (32) Pin^{a)}
- (33) Núm tháo pin^{a)}
- (34) Cần trượt
- (35) Khóa an toàn dùng khi di chuyển
- (36) Thước đo góc xiên (đứng)
- (37) Hiển thị góc cho tâm giới hạn góc xiên trái (47° đến 0°) (đứng)
- (38) Núm điều chỉnh góc xiên 22,5° (đứng)
- (39) Vít khóa của thanh chặn vật liệu
- (40) Cỡ chặn chiều dài

- (41) Thước đo góc vát (ngang)
- (42) Bàn cưa
- (43) Núm xoay dùng điều chỉnh tâm giới hạn góc xiên (dọc)
- (44) Lưỡi cưa
- (45) Cửa chiếu luồng laze
- (46) Đèn báo trạng thái nạp pin (Giao diện người dùng)
- (47) Hiển thị chế độ ECO (Giao diện người dùng)
- (48) Nút chọn trước tốc độ (Giao diện người dùng)
- (49) Hiển thị mức tốc độ/chế độ (Giao diện người dùng)
- (50) Hiển thị Smartphone (Giao diện người dùng)
- (51) Hiển thị Trạng thái dụng cụ điện (Giao diện người dùng)
- (52) Hiển thị nhiệt độ (Giao diện người dùng)
- (53) Khóa trục
- (54) Vít lục giác để cố định lưỡi cưa
- (55) Bích kẹp
- (56) Bích kẹp trong
- (57) Cần kẹp cố định bàn cưa mở rộng
- (58) Vít khóa cửa chắn điều chỉnh được
- (59) Bộ phận điều khiển chuyển động trượt
- (60) Vít định vị giảm rung xóc
- (61) Lỗ để gắn gá kẹp nhanh
- (62) Bu-long tai chuẩn
- (63) Thanh ren
- (64) Vạch chỉ độ góc cho góc vát (ngang)
- (65) Công tắc Tắt/Mở
- (66) Vít bắt thanh chèn
- (67) Vít kẹp cửa thanh chặn vật liệu
- (68) Vít điều chỉnh vị trí laser (lấy chuẩn mặt phẳng ngang tổng thể)
- (69) / Vít định vị để thiết lập cơ bản 0° (góc xiên)
- (70) / đứng)
- (71)
- (72) Vít định vị để thiết lập cơ bản 45° (góc xiên đứng trái)
- (73) Vít định vị để thiết lập cơ bản 45° (góc xiên đứng phải)
- (74) Vít định vị của thước chia độ cho các góc vát
- (75) Vít bắt vạch chỉ độ góc (ngang)

(76) Vít định vị lực kẹp của tay kẹp cho góc xiên bất kỳ (đứng)

a) **Phụ tùng được trình bày hay mô tả không phải là một phần của tiêu chuẩn hàng hóa được giao kèm theo sản phẩm. Bạn có thể tham khảo tổng thể các loại phụ tùng, phụ kiện trong chương trình phụ tùng của chúng tôi.**

Thông số kỹ thuật

Máy Cưa Vát Trượt	GCM 18V-305 GDC	
Mã số máy		3 601 M43 0..
Điện thế danh định	V=	18
Tốc độ không tải ^{A)}	min ⁻¹	3000-4000
Tốc độ không tải trong chế độ Eco ^{A)}	min ⁻¹	2550
Loại Laser	nm	650
	mW	< 1
Cấp độ Laser		1M
Phân kỳ Tia laser	mrاد (Góc đây)	1,0
Trọng lượng theo EPTA-Procedure 01:2014 ^{B)}	kg	26,9-27,8
Nhiệt độ môi trường được khuyến nghị khi sạc	°C	0 ... +35
Nhiệt độ môi trường cho phép trong quá trình vận hành ^{C)} và trong quá trình lưu trữ	°C	-20 ... +50
Pin được khuyến dùng		GBA 18V... ProCORE18V...
Thiết bị nạp được giới thiệu		GAL 18... GAX 18... GAL 36...
Truyền dữ liệu		
Bluetooth [®]		Bluetooth [®] 4.2 (Low Energy) ^{D)}
Khoảng cách giữa các tín hiệu	s	8
Phạm vi tín hiệu tối đa ^{E)}	m	30
Kích thước lưỡi cưa phù hợp		
Đường kính lưỡi cưa	mm	305
Độ dày lưỡi	mm	1,7-2,6
Chiều rộng vết cắt tối đa	mm	3,2

Máy Cưa Vát Trượt	GCM 18V-305 GDC
Lỗ lắp lưới cắt	mm 30

- A) Được đo ở 20–25 °C với pin **ProCORE18V 8.0Ah**.
- B) tùy vào loại pin lốc đang sử dụng
- C) hiệu suất giới hạn ở nhiệt độ <0 °C
- D) Các thiết bị di động đầu cuối phải tương thích với các thiết bị **Bluetooth® Low Energy** (Phiên bản 4.2) và phải hỗ trợ chế độ **Generic Access Profile (GAP)**.
- E) Phạm vi có thể biến đổi mạnh tùy thuộc vào điều kiện bên ngoài, bao gồm thiết bị thu nhận được dùng. Trong các phòng kín và qua các rào chắn kim loại (ví dụ tường, giá, va li, v.v.) phạm vi **Bluetooth®** có thể nhỏ hơn.

Kích thước vật gia công cho phép (tối đa/tối thiểu): (xem „Kích Thước Vật gia Công Cho Phép“, Trang 184)

Sự lắp vào

- **Trước khi tiến hành bất cứ công việc gì với máy (ví dụ bảo dưỡng, thay dụng cụ v.v.) cũng như khi vận chuyển hay lưu kho, tháo pin ra khỏi dụng cụ điện.** Có nguy cơ gây thương tích khi vô tình làm kích hoạt công tắc Tắt/Mở.

Các món được giao



Vui lòng tham khảo hình minh họa phạm vi giao hàng ở đầu hướng dẫn vận hành.

Trước khi vận hành lần đầu, hãy kiểm tra dụng cụ điện xem tất cả các bộ phận theo thiết kế có được cung cấp đầy đủ không:

- Cưa tấm với lưới cưa được lắp (44)
- Núm khóa (12)
- Chia vặn lục giác (17)
- Chia vặn lục giác (18)
- Gá kẹp nhanh (19)
- Bu lông SDS (23)
- Túi đựng bụi

Lưu ý: Hãy kiểm tra dụng cụ điện xem có hư hỏng nào không.

Trước khi tiến hành sử dụng máy, kiểm tra cẩn thận xem tất cả các chi tiết dùng bảo vệ hay các bộ phận bị hư hỏng nhẹ có hoạt động tốt và theo đúng quy định không. Tất cả các hư hỏng nhẹ phải được kiểm tra cẩn thận để bảo đảm sự hoạt động của dụng cụ được hoàn hảo. Tất cả các bộ phận phải được lắp ráp đúng cách và tất cả các điều kiện cần có phải được đáp ứng đúng và đủ để bảo đảm sự hoạt động được hoàn hảo.

Các chi tiết bảo vệ và các bộ phận hư hỏng phải được thay ngay thông qua một trung tâm bảo hành/bảo trì được ủy nhiệm.

Các dụng cụ phụ trợ cần thiết (không nằm trong phạm vi giao kèm):

- Chia vặn vít bốn cạnh

- Chia vặn điều cỡ (Cờ: 8 mm)
- Chia vặn ống lồng, chia vặn điều cỡ hoặc chia vặn ống 10 mm và 17 mm)

Kích hoạt **Bluetooth® Low Energy** Module **GCY 42**

Để biết thông tin về **Bluetooth® Low Energy** Module **GCY 42**, hãy đọc hướng dẫn vận hành đi kèm.

Kích hoạt pin cúc áo

- Hãy tháo nắp **Bluetooth® Low Energy Module GCY 42 (31)**.
- Hãy tháo lớp cách điện giữa pin cúc áo và **Bluetooth® Low Energy Module GCY 42**.
- Hãy đóng nắp che (31), để không cho bụi bẩn xâm nhập.

- **Tháo nắp phủ **Bluetooth® Low Energy Module GCY 42** trên dụng cụ điện, ví dụ bằng một tua vít hoặc một đồng xu to.** Nếu dùng các vật không phù hợp, dụng cụ điện hoặc nắp phủ có thể bị hư hỏng.

Sạc pin

- **Chỉ sử dụng bộ sạc được để cập trong dữ liệu kỹ thuật.** Chỉ những bộ sạc này phù hợp cho dụng cụ điện cầm tay của bạn có sử dụng pin Li-Ion.

Hướng dẫn: Pin đã được sạc một phần. Để bảo đảm đầy đủ điện dung, nạp điện hoàn toàn lại cho pin trong bộ nạp điện pin trước khi sử dụng cho lần đầu tiên.

Pin Li-Ion hợp khối có thể nạp điện bất cứ lúc nào mà không làm giảm tuổi thọ của pin. Sự gián đoạn trong quá trình nạp điện không làm hư hại pin hợp khối.

Pin Li-Ion được bảo vệ ngăn sự phóng điện quá lớn nhờ vào "Electronic Cell Protection (ECP)". Nếu pin bị phóng điện, dụng cụ điện cầm tay sẽ được ngắt bởi một mạch bảo vệ: Dụng cụ điện không chuyển động nữa.

- **Có nguy cơ gây thương tích khi vô tình làm kích hoạt công tắc Tắt/Mở.** Pin có thể bị hỏng. Quy trình hoạt động được chia ra làm hai giai đoạn.

Tháo pin ra



Pin (32) có hai mức khóa, có nhiệm vụ ngăn ngừa pin bị rơi ra do vô ý bấm phải nút tháo pin (33). Cứ khi nào pin còn được lắp trong dụng cụ điện, nó vẫn được giữ nguyên vị trí nhờ vào một lò xo.

Để tháo pin bạn hãy ấn nút mở và đẩy pin ra khỏi dụng cụ điện cầm tay. **Không dùng sức.**

Đèn báo trạng thái nạp pin

Các đèn LED màu xanh của màn hình hiển thị tình trạng sạc pin chỉ ra tình trạng sạc của pin. Vì lý do an toàn, ta chỉ có thể kiểm tra trạng thái của tình

trạng nạp điện khi máy đã ngừng hoạt động hoàn toàn.

Để hiển thị tình trạng nạp, bạn hãy nhấn nút để hiển thị mức sạc  hoặc . Điều này cũng có thể thực hiện khi ắc quy được tháo ra.

Đèn LED không sáng sau khi nhấn nút để hiển thị mức sạc có nghĩa là pin bị hỏng và phải được thay thế.

Lưu ý: Mức sạc pin cũng được hiển thị trên giao diện người dùng (3).

Kiểu pin GBA 18V...



Đèn LED	Điện dung
Đèn sáng liên tục 3× xanh lục	60–100 %
Đèn sáng liên tục 2× xanh lục	30–60 %
Đèn sáng liên tục 1× xanh lục	5–30 %
Đèn xi nhan 1× xanh lục	0–5 %

Kiểu pin ProCORE18V...



Đèn LED	Điện dung
Đèn sáng liên tục 5× xanh lục	80–100 %
Đèn sáng liên tục 4× xanh lục	60–80 %
Đèn sáng liên tục 3× xanh lục	40–60 %
Đèn sáng liên tục 2× xanh lục	20–40 %
Đèn sáng liên tục 1× xanh lục	5–20 %
Đèn xi nhan 1× xanh lục	0–5 %

Lắp Ráp Các Thành Phần Chi Tiết

- Lấy tất cả các bộ phận được giao kèm theo máy ra khỏi bao bì một cách cẩn thận.
- Lấy tất cả các gói tài liệu hướng dẫn và các phụ kiện giao kèm ra khỏi máy.

Lắp nút khóa (xem hình a)

- Vận nút khóa (12) vào trong lỗ khoan tương ứng bên trên cần (13).
- ▶ **Luôn vận nút khóa thật chặt (12) trước khi cưa.** Nếu không, lưỡi cưa có thể bị kẹp chặt trong vật gia công.

Lắp bắt cố định hay linh hoạt

- ▶ **Để bảo đảm sự điều khiển được an toàn, máy phải được lắp bắt lên trên một bề mặt phẳng và vững chãi (vd. bàn thợ) trước khi sử dụng.**

Lắp ráp trên bề mặt gia công (xem Hình b1)

- Bắt chắc dụng cụ điện bằng loại vít lắp bắt thích hợp lên trên bề mặt gia công. Các lỗ khoan dùng cho mục đích này (9).

hoặc

- Kẹp dụng cụ điện bằng loại hàm kẹp có trên thị trường, và kẹp các chân máy vào bề mặt gia công.

Lắp ráp trên bàn làm việc Bosch (Xem Hình b2)

(GTA 2500 W, GTA 2500 Compact, GTA 2600, GTA 3800)

Với các chân có thể điều chỉnh được chiều cao, giá cửa GTA Bosch tạo được sự vững chắc cho dụng cụ điện khi đặt trên bất kỳ bề mặt nào. Chi tiết gia công hỗ trợ của giá cửa được sử dụng để làm nền đỡ cho vật gia công dài.

- ▶ **Hãy đọc mọi cảnh báo và hướng dẫn đính kèm giá cửa.** Không tuân thủ các cảnh báo an toàn và hướng dẫn có thể dẫn đến việc bị điện giật, cháy và/hoặc gây ra thương tích nghiêm trọng.

- ▶ **Lắp ráp giá cửa đúng cách trước khi gắn dụng cụ điện.** Sự lắp ráp hoàn hảo là quan trọng để ngăn ngừa nguy cơ bị sập.

- Gắn lắp dụng cụ điện lên giá cửa ở tư thế vận chuyển.

Hút Dặm/Bụi

Mạt bụi từ các vật liệu được sơn phủ ngoài có chứa chì trên một số loại gỗ, khoáng vật và kim loại có thể gây nguy hại đến sức khỏe con người. Dụng cụ chạm hay hít thở các bụi này có thể làm người sử dụng hay đứng gần bị dị ứng và/hoặc gây nhiễm trùng hệ hô hấp.

Một số hạt bụi cụ thể, ví dụ như bụi gỗ sồi hay đậu, được xem là chất gây ung thư, đặc biệt là có liên quan đến các chất phụ gia dùng xử lý gỗ (chất cromat, chất bảo quản gỗ). Có thể chỉ nên để thợ chuyên môn gia công các loại vật liệu có chứa amiăng.

- Cách xa ở mức có thể được, sử dụng hệ thống hút thích hợp cho loại vật liệu.
- Tạo không khí thông thoáng nơi làm việc.
- Khuyến nghị nên mang mặt nạ phòng độc có bộ lọc cấp P2.

Tuân thủ các qui định của quốc gia bạn liên quan đến loại vật liệu gia công.

- ▶ **Tránh không để rác tích tụ tại nơi làm việc.** Rác có thể dễ dàng bắt lửa.

Sự hút bụi/dặm có thể bị bụi, dăm hay các mảnh nhỏ của vật gia công làm cho tắc nghẽn lại.

- Tắt dụng cụ điện và tháo pin.
- Hãy chờ cho đến khi lưỡi cưa dừng hẳn.
- Xác định nguyên nhân làm tắc nghẽn và chỉnh sửa lại.

Máy Hút Bụi Ngoài

Trên đầu nối hút (26) bạn cũng có thể lắp một vòi hút bụi (Ø 35 mm) để hút.

- Gắn ống hút bụi với đầu nối hút (26).

Máy hút bụi phải thích hợp dành cho loại vật liệu đang gia công.

Khi hút bụi khô loại đặc biệt gây nguy hại đến sức khỏe hoặc gây ra ung thư, hãy sử dụng máy hút bụi loại chuyên dụng.

Làm Sạch Cút nối ống hút

Để đảm bảo sự hút được tốt nhất, Cút nối ống hút (26) phải được làm sạch thường xuyên.

- Kéo cút nối ống hút (26) ra khỏi phần tổng mặt cửa (24) bằng động tác xoay.
- Tháo gỡ các mảnh vụn và dăm của vật gia công.
- Gắn Cút nối ống hút lên trên bộ phận tổng mặt cửa như trước bằng động tác xoay cho đến khi khớp vào lên trên vòng giữ bộ phận tổng mặt cửa.

Thay Lưỡi Cưa

- ▶ **Trước khi tiến hành bất cứ công việc gì với máy (ví dụ bảo dưỡng, thay dụng cụ v.v.) cũng như khi vận chuyển hay lưu kho, tháo pin ra khỏi dụng cụ điện.** Có nguy cơ gây thương tích khi vô tình làm kích hoạt công tắc Tắt/Mở.
- ▶ **Khi lắp ráp lưỡi cưa, hãy mang găng tay bảo hộ vào.** Nếu chạm vào lưỡi cưa sẽ có nguy cơ bị thương.

Chỉ sử dụng lưỡi cưa có tốc độ tối đa cho phép cao hơn tốc độ không tải của dụng cụ điện.

Chỉ sử dụng lưỡi cưa phù hợp với các đặc tính kỹ thuật được ghi rõ trong các hướng dẫn sử dụng và đã được thử nghiệm, và được đánh dấu đáp ứng tiêu chuẩn EN 847-1.

Chỉ sử dụng lưỡi cưa do nhà sản xuất máy khuyến nghị, và thích hợp để xử lý loại vật liệu được gia công cắt. Điều này giúp tránh được quá nhiệt răng cưa khi cưa.

Lắp bằng vít sáu cạnh (xem hình c1–c4)

Tháo Lưỡi Cưa

- Đặt máy ở vào tư thế hoạt động.
- Xoay chắn đàn hồi bảo vệ lưỡi (5) ra phía sau và giữ nó ở vị trí này.
- Vận vít đầu có lỗ sáu cạnh (54) bằng cơ lê lỗ sáu cạnh (4 mm) (17) và đồng thời nhấn khóa hãm trục (53), cho đến khi vào khớp.
- Bấm giữ khóa hãm trục (53) và xoay vít lục giác (54) theo chiều kim đồng hồ (ren trái!)
- Tháo bích kẹp (55).
- Tháo lưỡi cưa (44).
- Từ từ đưa chắn đàn hồi bảo vệ lưỡi xuống trở lại.

Lắp Lưỡi Cưa

- ▶ **Khi lắp lưỡi cưa, hãy lưu ý rằng chiều cắt của răng (chiều của mũi tên trên lưỡi cưa) cùng chiều với chiều mũi tên trên chắn bảo vệ!**

Nếu thấy cần, làm sạch tất cả các bộ phận sắp lắp vào trước khi ráp.

- Xoay chắn đàn hồi bảo vệ lưỡi (5) ra phía sau và giữ nó ở vị trí này.
- Lắp lưỡi cưa mới vào lên trên bích kẹp trong (56).
- Đặt bích kẹp (55) và vít lục giác (54) lên. Bấm khóa hãm trục (53) cho đến khi vào khớp và vặn chặt vít sáu cạnh ngược chiều kim đồng hồ.
- Từ từ đưa chắn đàn hồi bảo vệ lưỡi xuống trở lại.

Lắp bằng các bu lông SDS (xem hình d)

- ▶ **Khi cắt mép vát dọc và sử dụng bu-lông SDS (23) trước khi cưa bằng một cài đặt phù hợp của chốt chặn độ sâu (28) hãy đảm bảo rằng bu-lông SDS không chạm vào bề mặt phối gia công.** Điều này ngăn bu-lông SDS và / hoặc phối gia công bị hỏng.

Tháo Lưỡi Cưa

- Đặt máy ở vào tư thế hoạt động.
- Xoay chắn đàn hồi bảo vệ lưỡi (5) ra phía sau và giữ nó ở vị trí này.
- Xoay bu lông SDS (23) và nhấn cùng lúc khóa trục (53), đến khi khớp vào.
- Giữ nhấn khóa trục máy (53) và tháo các bu lông SDS (23) theo chiều kim đồng hồ (ren chiều trái!)
- Tháo bích kẹp (55).
- Tháo lưỡi cưa (44).
- Từ từ đưa chắn đàn hồi bảo vệ lưỡi xuống trở lại.

Lắp Lưỡi Cưa

- ▶ **Khi lắp lưỡi cưa, hãy lưu ý rằng chiều cắt của răng (chiều của mũi tên trên lưỡi cưa) cùng chiều với chiều mũi tên trên chắn bảo vệ!**

Nếu thấy cần, làm sạch tất cả các bộ phận sắp lắp vào trước khi ráp.

- Xoay chắn đàn hồi bảo vệ lưỡi (5) ra phía sau và giữ nó ở vị trí này.
- Lắp lưỡi cưa mới vào lên trên bích kẹp trong (56).
- Đặt bích kẹp (55) và bu lông SDS (23) lên. Nhấn khóa trục máy (53) cho đến khi vào khớp và siết chặt bu lông SDS ngược chiều kim đồng hồ.
- Từ từ đưa chắn đàn hồi bảo vệ lưỡi xuống trở lại.

Vận Hành

- ▶ **Trước khi tiến hành bất cứ công việc gì với máy (ví dụ bảo dưỡng, thay dụng cụ v.v.) cũng như khi vận chuyển hay lưu kho, tháo pin ra khỏi dụng cụ điện.** Có nguy cơ gây thương tích khi vô tình làm kích hoạt công tắc Tắt/Mở.

Khóa an toàn dùng khi di chuyển (xem Hình A)

Khóa an toàn dùng khi di chuyển (35) cho phép xử lý dụng cụ điện dễ dàng hơn khi di chuyển máy đến các địa điểm làm việc khác nhau.

Tháo Khóa Máy (Vị Trí Hoạt Động)

- Đẩy nhẹ cần trượt (34) xuống bằng tay nắm (1) để nhả khóa an toàn dùng khi di chuyển (35).
- Kéo khóa an toàn dùng khi di chuyển (35) rời hẳn ra ngoài.
- Đẩy từ từ cần trượt (34) hướng lên trên.

Bảo Vệ An Toàn Máy (Vị Trí Di Chuyển)

- Đẩy cần trượt (34) hoàn toàn ra phía sau và cố định nó ở vị trí này.
- Đẩy cần trượt hướng xuống cho đến khi khóa an toàn dùng khi di chuyển (35) có thể đẩy hết vào bên trong.

Hướng dẫn chi tiết: (xem „Vận chuyển (xem Hình Z)“, Trang 186)

Khóa Cần Trượt

Có thể khóa cơ chế trượt của cần trượt (34) nhờ sự hỗ trợ của cần kẹp (25). Cần trượt có thể nằm ở hai vị trí:

- Cần trượt được đẩy hoàn toàn về phía sau (để cắt đứt đoạn)
- Cần trượt được kéo hoàn toàn về phía trước (để vận chuyển được gọn gàng)

Nhả khóa cần trượt (xem hình B1)

Sau khi nhả khóa cần trượt (34), toàn bộ cơ cấu trượt đã sẵn sàng hoạt động.

- Nhấn cần khóa (25) xuống đến hết cỡ chặn.
- Nêm kẹp của cần khóa nhả cả hai khớp nối đáy của cần trượt ra.

Khi cửa góc vát ngang và/hoặc góc xiên đứng, bạn phải kéo hoặc rút hẳn chắn điều chỉnh được bên trái hoặc phải (6) ra ngoài.

Cố định cần trượt (xem hình B2)

Cần trượt được đẩy hoàn toàn về phía sau:

- Đẩy cần trượt (34) về phía sau cho đến cỡ chặn.
- Hai khớp nối trên của cần trượt hiện tại đang ở vị trí thẳng đứng và đóng lại.
- Kéo cần khóa (25) lên trên cho đến khi nêm kẹp được đặt ở vị trí giữa hai khớp nối đáy của cần trượt.
- Cách này khóa hoàn toàn không cho cần trượt (34) đẩy lùi ra sau.

Cần trượt được kéo hoàn toàn về phía trước:

- Kéo cần trượt (34) hết ra phía trước đến cỡ chặn.
- Cơ cấu trượt ở thời điểm này được mở rộng ra hoàn toàn.
- Kéo cần khóa (25) lên trên cho đến khi nêm kẹp được đặt ở vị trí giữa hai khớp nối đáy của cần trượt.
- Cách này khóa hoàn toàn không cho cần trượt (34) kéo tới trước.

Chuẩn Bị cho sự Hoạt Động

Mở rộng bàn cưa (xem hình C)

Vật gia công dài phải được đệm lót hay kê đỡ phần đầu còn trống.

Bàn cưa có thể mở rộng (8) sang bên phải hoặc trái bằng bàn cưa mở rộng.

- Gập cần kẹp (57) cố định vào trong.
- Kéo bàn cưa mở rộng (8) ra ngoài cho đến khi đạt độ dài mong muốn (tối đa 250 mm).
- Để khóa bàn cưa mở rộng, đẩy cần kẹp cố định (57) ra ngoài như trước.

Di chuyển chắn (xem Hình D–E)

Góc xiên nằm Góc vát ngang đứng

0°–47° (trái)	≤ 44° (phải/trái)	– Nới lỏng vít khóa (58). – Kéo chắn điều chỉnh được bên trái (6) ra ngoài hoàn toàn.
0°–47° (trái)	≥ 45° (phải/trái)	– Nới lỏng vít khóa (58). – Kéo chắn điều chỉnh được bên trái (6) ra ngoài hoàn toàn. – Tháo chắn điều chỉnh được hướng lên trên. – Tháo vít khóa (58).
0°–47° (phải)	≤ 44° (phải/trái)	– Nới lỏng vít khóa (58). – Kéo chắn điều chỉnh được ở bên phải (6) ra ngoài hoàn toàn.
0°–47° (phải)	≥ 45° (phải/trái)	– Tháo chắn điều chỉnh được hướng lên trên.

Điều chỉnh chống rung của cần trượt (xem Hình F)

Cơ cấu trượt của cần trượt đã được (34) thiết lập sẵn tại nhà máy, và không được chống rung khi giao dụng cụ điện.

Bạn có thể điều chỉnh chức năng chống rung của cơ cấu trượt riêng bằng đệm giảm chấn (59):
cứng – chuyển động vận hành có kiểm soát;
mềm – cửa nhanh.

- Nới lỏng cả hai vít định vị (60) bằng chìa vặn lục giác (4 mm) (17) đối với chống rung **mềm hơn**
- *hoặc*
- siết chặt cả hai vít định vị (60) đối với chống rung **cứng hơn**.

Cố định vật gia công (xem Hình G)

Để đảm bảo an toàn lao động tốt nhất, vật gia công phải luôn luôn được kẹp chặt.

Nếu không, khoảng cách từ tay của bạn đến lưỡi cửa đang quay là quá nhỏ.

- Đẩy thật sát vật gia công vào thước dẫn hướng (7) và (6).
- Lắp gá kẹp nhanh được giao kèm máy (19) vào một trong các lỗ khoan được thiết kế cho nó (61).
- Nới lỏng vít tai hồng (61) và lắp bắt gá kẹp nhanh vào vật gia công. Siết chặt vít tai hồng lại như cũ.
- Siết thanh ren (63) thật chặt để cố định vật gia công.

Giải Phóng Vật Gia Công

- Để nhả gá kẹp nhanh hãy xoay thanh ren (63) ngược chiều kim đồng hồ.

Điều chỉnh Góc Vát Ngang

Điều chỉnh góc vát ngang tiêu chuẩn (xem hình H)

Mẫu khóa trên bàn cửa được thiết kế để điều chỉnh nhanh và chính xác các góc vát ngang thường được sử dụng (15):

Trái	bên phải
0°	
45°; 31,6°; 22,5°; 15°	15°; 22,5°; 31,6°; 45°; 60°

- Nới lỏng núm khóa (12) trong trường hợp đã được siết chặt.
- Kéo cần (13) và xoay bàn cửa (42) về bên phải hay trái mẫu khóa theo yêu cầu.
- Thả cần ra lại. Cần phải ăn khớp với mẫu khóa.
- Siết chặt núm khóa (12) lại như trước.

Điều chỉnh góc vát ngang bất kỳ (xem hình I)

Có thể điều chỉnh góc vát ngang trong phạm vi từ 52° (bên trái) đến 60° (bên phải).

- Nới lỏng núm khóa (12) trong trường hợp đã được siết chặt.

- Kéo cần (13) và đồng thời ấn khóa khung (11) cho đến khi nó khóa vào khác. Nhờ đó, bàn cửa sẽ chuyển động linh hoạt.
- Xoay bàn cửa (42) qua trái hay phải bằng núm khóa cho đến khi phần chỉ báo góc (64) chỉ rõ góc vát ngang yêu cầu.
- Siết chặt núm khóa (12) lại như trước.
- Để nới lỏng cần (13) lại như trước (để điều chỉnh góc vát ngang tiêu chuẩn), hãy kéo cần lên.
- Khóa khung (11) này trở về vị trí ban đầu và cần (13) có thể khóa vào mẫu khớp (15).

Điều chỉnh Góc Xiên Nằm Thẳng Đứng

Góc xiên đứng có thể được điều chỉnh trong khoảng từ 47° (bên trái) đến 47° (bên phải).

Để điều chỉnh nhanh và chính xác các góc xiên đứng thường xuyên được sử dụng, các cỡ chặn góc được thiết kế ở các mức 0°, 22,5° và 45° và 47°.

Điều chỉnh tâm giới hạn góc xiên đứng (45° đến 0°)

L

- Kéo chặn điều chỉnh được bên trái (6) ra ngoài hoàn toàn.
- Nới lỏng cần khóa (14).
- Xoay cần trượt (34) bằng tay nắm (1) sang trái cho đến khi chỉ báo góc (37) hiển thị góc xiên đứng mong muốn.
- Giữ cần trượt (34) ở nguyên vị trí này và siết chặt cần khóa (14) lại như trước.
Lực kẹp giữ của cần khóa phải cố định vững chắc vị trí của cần trượt tại bất cứ góc xiên nào.

Điều chỉnh tâm giới hạn góc xiên đứng bên phải (0° đến 45°) (xem Hình J)

45°R

- Kéo chặn điều chỉnh được ở bên phải (6) ra ngoài hoàn toàn.
- Nới lỏng cần khóa (14).
- Nghiêng nhẹ cần trượt (34) bằng tay nắm (1) từ vị trí 0° sang trái và vặn núm xoay (43) cho đến khi tâm giới hạn góc xiên đứng mong muốn được hiển thị.
- Xoay cần trượt (34) bằng tay nắm (1) sang phải cho đến khi chỉ báo góc (21) chỉ rõ góc vát mong muốn.
- Giữ cần trượt (34) ở nguyên vị trí này và siết chặt cần khóa (14) lại như trước.
Lực kẹp giữ của cần khóa phải cố định vững chắc vị trí của cần trượt tại bất cứ góc xiên nào.

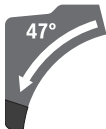
Điều chỉnh góc xiên đứng tiêu chuẩn 0°

Để có thể điều chỉnh nhẹ góc xiên đứng tiêu chuẩn 0° một lần nữa, núm xoay (43) khớp vào tâm giới hạn góc xiên đứng bên trái.

L

- Xoay cần trượt (34) từ phải qua vị trí 0°.

Điều chỉnh toàn bộ tầm giới hạn góc xiên đứng (-47° đến +47°)



- Kéo cả hai thanh chắn điều chỉnh được (6) ra ngoài hoàn toàn.
- Nới lỏng cần khóa (14).
- Nghiêng nhẹ cần trượt (34) bằng tay nắm (1) từ vị trí 0° sang trái và vặn núm xoay (43) cho đến khi tầm giới hạn góc xiên đứng mong muốn được hiển thị.
- Kéo nghiêng cần trượt (34) bằng tay nắm (1) sang trái hay phải cho đến khi phần chỉ báo góc (37) hay (21) chỉ rõ góc vắt mong muốn.
- Giữ cần trượt (34) ở nguyên vị trí này và siết chặt cần khóa (14) lại như trước. Lực kẹp giữ của cần khóa phải cố định vững chắc vị trí của cần trượt tại bất cứ góc xiên nào.

Điều chỉnh góc xiên đứng tiêu chuẩn 22,5° (xem hình K)

Kéo núm điều chỉnh (38) ra ngoài hoàn toàn và xoay nó một góc 90°. Sau đó xoay cần trượt (34) bằng tay nắm (1) cho đến khi nghe thấy tiếng cần trượt khóa vào khớp.

Điều Chỉnh Góc Xiên dọc và ngang

Bắt Đầu Vận Hành

Tháo Pin

- Chỉ sử dụng pin Li-Ion chính hãng Bosch có điện thế quy định được ghi trên nhãn dụng

Hiển thị trạng thái

Đèn báo trạng thái nạp pin (Giao diện người dùng) (46)	Ý nghĩa/Nguyên nhân	Cách khắc phục
xanh lục (2 đến 5 vạch)	Pin được sạc	–
vàng (1 vạch)	Pin gần cạn	Thay hoặc sạc pin sớm
đỏ (1 vạch)	Bộ nguồn cạn điện	Thay hoặc sạc pin
Hiển thị nhiệt độ (52)	Ý nghĩa/Nguyên nhân	Cách khắc phục
vàng	Đạt nhiệt độ tối hạn (Động cơ, hệ thống điện, pin)	Không cho dụng cụ điện hoạt động ở chế độ không tải và hãy để nguội
màu đỏ	Dụng cụ điện bị quá nóng và bị tắt	Để nguội dụng cụ điện

cụ điện của bạn. Sử dụng bất cứ loại pin khác có thể dẫn đến thương tật hay cháy.

- Hãy đẩy pin đã sạc (32) vào ngăn pin của dụng cụ điện cầm tay, cho đến khi pin được khóa an toàn.

Bật (xem Hình L)

- Để **bật** dụng cụ điện, **trước tiên** đẩy khóa an toàn (2) về giữa, **tiếp theo** bấm công tắc Tắt/Mở (65) và ấn giữ.

Lưu ý: Vì lý do an toàn, không thể mở khóa công tắc Tắt/Mở (65), mà phải luôn bấm giữ trong khi vận hành dụng cụ.

Để tắt máy

- Để **Tắt máy** thả công tắc Tắt/Mở (65) ra.

Chế độ ECO

Nếu dụng cụ điện được vận hành trong chế độ ECO tiết kiệm năng lượng, thời gian chạy của pin có thể được kéo dài thêm 20 %.

Nếu chế độ ECO hoạt động, trên màn hiển thị mức tốc độ/chế độ (49) xuất hiện biểu tượng **E**. Ngoài ra, hiển thị chế độ ECO sẽ sáng lên (47).

Giao diện người dùng

Giao diện người dùng (3) dùng để chọn trước tốc độ cũng như hiển thị tình trạng của dụng cụ điện.

Chọn trước tốc độ

Thiết lập trước một chế độ Eco và 3 mức tốc độ.

Với nút để chọn trước tốc độ (48), bạn có thể chọn trước số vòng quay cần thiết cả khi đang vận hành.

Mức tốc độ	Tốc độ quay [min ⁻¹]
Eco	2550
1	3000
2	3500
3	4000

Hiện thị smartphone (50) và hiện thị trạng thái dụng cụ điện (51)	Ý nghĩa/Nguyên nhân	Cách khắc phục
vàng	Nhắc lịch bảo dưỡng	Hãy tham khảo thông tin chi tiết tại Bosch Toolbox App hoặc cho tiến hành bảo dưỡng

Hiện thị trạng thái dụng cụ điện (51)	Ý nghĩa/Nguyên nhân	Cách khắc phục
màu xanh lá	Trạng thái OK	–
vàng	Đạt nhiệt độ tối hạn hoặc ắc quy gần cạn	Không cho dụng cụ điện hoạt động ở chế độ không tải và hãy để nguội, thay hoặc sạc ắc quy sớm
màu đỏ	Dụng cụ điện bị quá nhiệt hoặc ắc quy cạn	Để nguội dụng cụ điện, thay hoặc sạc ắc quy
nhấp nháy đỏ	Chế độ chống sự khởi động lại được kích hoạt	Tắt và bật lại dụng cụ điện, tháo pin và lắp lại.

Các chức năng kết nối

Các chức năng kết nối sau đây của dụng cụ điện sẽ khả dụng khi kết hợp với *Bluetooth®* Low Energy Module GCY 42:

- Đăng ký và cá nhân hóa
- Kiểm tra trạng thái, phát các thông báo cảnh báo
- Các thông tin và cài đặt chung
- Quản lý
- Cài đặt của mức tốc độ

Để biết thông tin về *Bluetooth®* Low Energy Module **GCY 42**, hãy đọc hướng dẫn vận hành đi kèm.

Hiện thị Smartphone (50) sáng lên, nếu dụng cụ điện gửi thông tin (ví dụ cảnh báo nhiệt độ) đến một thiết bị đầu cuối di động bằng công nghệ sóng vô tuyến *Bluetooth®*.

Hướng Dẫn Sử Dụng

Các Hướng Dẫn Cưa Tổng Quát

- ▶ **Luôn siết thật chặt núm khóa (12) và cần khóa (14) trước khi cưa.** Nếu không, lưỡi cưa có thể bị kẹt chặt trong vật gia công.
- ▶ **Luôn luôn siết chặt núm khóa (12) và cần kẹp trước khi cưa.** Nếu không, lưỡi cưa có thể bị kẹt chặt trong vật gia công.
- ▶ **Trong mọi kiểu cắt, trước tiên phải bảo đảm rằng lưỡi cưa trong bất cứ trường hợp nào cũng không thể chạm vào thanh chắn, vít ngàm khóa hay các bộ phận máy khác. Tháo cữ chặn phụ có thể đã được gắn vào hay điều chỉnh chúng cho thích ứng.**
- ▶ **Dụng cụ điện có *Bluetooth®* Low Energy Module GCY 42 được trang bị một giao diện sóng vô tuyến.** Hãy chú ý các giới hạn địa điểm hoạt động ví dụ như trên máy bay hoặc bệnh viện.

- ▶ **Trong các vùng, mà công nghệ sóng vô tuyến *Bluetooth®* không được phép sử dụng, phải tháo *Bluetooth®* Low Energy Module GCY 42 và pin nút áo.**

Các chi tiết gia công dài và/hay nặng phải được kê đỡ ở phần đầu trống.

Không được cưa vật gia công bị cong hay bị oằn. Vật gia công phải luôn luôn có cạnh thẳng và áp sát vào thanh chắn.

Chỉ cưa các vật liệu đã được phê duyệt để sử dụng đúng cách.

Bảo vệ lưỡi cưa tránh bị va đập hay chạm mạnh. Không để lưỡi cưa phải chịu lực áp hông.

Đảm bảo chắn đàn hồi bảo vệ lưỡi hoạt động đúng quy định và có thể di chuyển linh hoạt. Khi kéo tay máy xuống, chắn đàn hồi bảo vệ lưỡi phải mở. Khi kéo tay máy lên, chắn đàn hồi bảo vệ lưỡi phải đóng lại trên lưỡi cưa và khóa vào vị trí trên cùng của tay máy.

Đánh dấu đường cắt (xem Hình M)

Hai vạch laser sẽ chỉ rõ cho bạn đường cắt của lưỡi cưa. Điều này cho phép đặt vật gia công ở vị trí chính xác để cưa mà không phải mở chắn đàn hồi bảo vệ lưỡi.

- Hãy bật tia laser, bằng cách chạm nhanh vào công tắc Tắt/Mở (65), mà không nhấn khóa an toàn (2).
- Chính thẳng hàng vị trí đánh dấu của bạn trên vật gia công giữa cả hai đường laser.

Lưu ý: Kiểm tra trước khi cưa xem đường cắt có hiển thị đúng không (xem „Điều chỉnh laser“, Trang 185). Luồng laser, theo như ví dụ, có thể bị lệch qua sự rung xóc khi sử dụng cao độ.

Tư thế của người thao tác (xem hình N)

- ▶ **Không được đứng thẳng hàng với lưỡi cưa ở đằng trước máy. Luôn luôn đứng qua mặt**

bên lưỡi cửa. Điều này phòng tránh cho thân thể bạn gặp khả năng bị dội ngược.

- Để tay, ngón tay và cánh tay tránh khỏi lưỡi cửa đang quay.
- Không vươn tay qua trước tay máy.

Thay thanh chèn (xem hình O)

Thanh chèn (10) có thể bị mòn sau thời gian dài sử dụng máy.

Thay thanh chèn bị hỏng.

- Đặt máy ở vào tư thế hoạt động.
- Tháo vít (66) bằng chia vận lục giác (18) và nhắc thanh chèn cũ ra.
- Lắp thanh chèn cánh phải mới.
- Vận thanh chèn cùng với đỉnh vít (66) sang phải càng xa càng tốt, sao cho lưỡi cửa không thể chạm vào thanh chèn trên toàn bộ chiều dài quãng di chuyển có thể.
- Lập lại các bước thao tác giống như vậy cho thanh chèn cánh trái.

Kích Thước Vật gia Công Cho Phép

Góc xiên nằm ngang	Góc xiên nằm đứng	Chiều cao x Chiều rộng [mm]
0°	0°	104 x 341 45 x 400 ^{A)} 120 x 200 ^{B)} 180 x 40
45° (trái)	0°	104 x 240 180 x 20
0°	45° (trái)	60 x 341
0°	45° (phải)	40 x 341
45°	45° (trái)	60 x 240
45°	45° (phải)	40 x 240

A) với miếng đệm ngang (Chiều cao x Chiều rộng: 60 mm x 400 mm)

B) với miếng đệm dọc (Chiều cao x Chiều rộng: 72 mm x 50 mm)

Vật gia công **tối thiểu** (= tất cả các vật gia công có giá kẹp nhanh được giao cùng máy (19) có thể được căng ở hai bên trái và phải lưỡi cửa): 160 mm x 35 mm (Dài x Rộng)

Cỡ sâu cắt tối đa (0°/0°): 120 mm

Cửa

Cửa không chuyển động trượt (cắt đứt đoạn) (xem Hình P)

- Đẩy cần trượt (34) hoàn toàn ra phía sau và cố định nó ở vị trí này.
Hãy đảm bảo rằng cỡ định độ sâu (28) được ấn hoàn toàn vào trong và vít điều chỉnh (27) đi qua rãnh trong khi di chuyển tay máy mà không chạm vào cỡ định độ sâu.
- Kẹp vật gia công thật chặt phù hợp với kích thước của nó.

- Điều chỉnh góc vát (ngang và/hoặc đứng) mong muốn nếu cần.
- Bật công tắc cho máy hoạt động.
- Đẩy từ từ cần trượt (34) bằng tay nắm (1) xuống.
- Cắt xuyên qua vật gia công với lực áp lên máy đồng đều.
- Tắt máy và đợi cho đến khi lưỡi cửa đã ngừng quay hoàn toàn.
- Đẩy từ từ cần trượt (34) hướng lên trên.

Cửa với chuyển động trượt (xem hình Q)

► Trước khi mở máy và trong suốt thời gian cửa đến khi hoàn tất, giữ chắc tay nắm.

Trong khi cửa, thực hiện việc kiểm soát sự chuyển động bằng cần trượt. Một giây phút thiếu tập trung trong khi vận hành, cần trượt hoạt động cực kỳ nhanh nhạy có thể gây thương tích nghiêm trọng cho bản thân.

- Nhả khóa cần trượt (34).
Kiểm tra bằng cách kéo đẩy cần trượt (34) xem toàn bộ cơ cấu trượt có thể sử dụng được không.
- Kẹp vật gia công thật chặt phù hợp với kích thước của nó.
- Điều chỉnh góc vát (ngang và/hoặc đứng) mong muốn nếu cần.
- Kéo cần trượt (34) bằng tay nắm (1) cách xa thanh chắn (7) sao cho lưỡi cửa nằm trước vật gia công.
- Bật công tắc cho máy hoạt động.
- Đẩy từ từ cần trượt (34) bằng tay nắm (1) xuống.
- Bảy giờ, đẩy cần dụng cụ (34) hướng tới thanh chắn (7) và cửa ngang vật gia công với lực gia tải đồng đều.
- Tắt máy và đợi cho đến khi lưỡi cửa đã ngừng quay hoàn toàn.
- Đẩy từ từ cần trượt (34) hướng lên trên.

Cửa chi tiết gia công có cùng chiều dài (xem Hình R)

Để dễ dàng cửa được các chi tiết gia công có cùng chiều dài, bạn có thể sử dụng thanh chặn vật liệu (40) (phụ kiện).

Thanh chặn vật liệu có thể gắn vào một trong hai bên của bàn cửa mở rộng (8).

- Nới lỏng vít khóa (39) và đưa thanh chặn vật liệu (40) lên trên vít kẹp cố định (67).
- Siết chặt vít khóa lại (39).
- Điều chỉnh bàn cửa mở rộng (8) đến chiều dài mong muốn.

Điều chỉnh cỡ định độ sâu (Cửa rãnh) (xem hình S)

Phải điều chỉnh cỡ định độ sâu khi cửa rãnh hay dùng miếng đệm.

- Xoay cỡ định độ sâu (28) hướng ra ngoài.
- Xoay cỡ định độ sâu (34) bằng tay nắm (1) vào vị trí mong muốn.

- Vặn vít điều chỉnh (27) cho đến khi mũi vít chạm vào cỡ định độ sâu (28).
- Đẩy từ từ cần trượt (34) hướng lên trên.

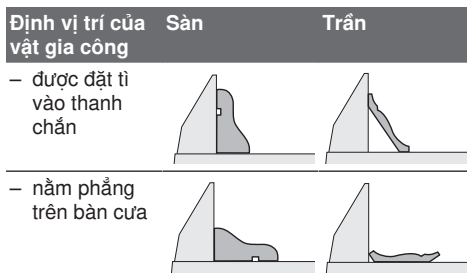
Vật Gia Công Đặc Biệt

Khi cơ cấu vật gia công có đường cong hay tròn, những vật này đặc biệt cần phải được giữ cho chắc chắn, tránh không để bị tuột. Tại đường cắt, không được có khe hở nào giữa vật gia công, thanh chắn và bàn cơ.

Nếu cần, gia cố thêm sự cố định một cách đặc biệt.

Xử lý dải biên dạng

Chỉ gia công chỉ trang trí định hình theo hai cách khác nhau:



Thêm vào đó, sự cắt có thể được thực hiện bằng chuyển động trượt hay không còn tùy thuộc vào bề dày của chỉ trang trí định hình/gờ đúc.

Trước tiên, luôn thử góc vát đã điều chỉnh (ngang và/hoặc đứng) bằng một mẫu gỗ bỏ đi.

Kiểm tra và điều chỉnh các thiết lập cơ bản

Để bảo đảm đường cắt chính xác, sự điều chỉnh cơ bản của máy phải được kiểm tra và điều chỉnh lại như là việc cần thiết sau khi hoạt động cao độ.

Việc này đòi hỏi phải có một mức độ kinh nghiệm nhất định và các dụng cụ chuyên môn thích hợp.

Trạm phục vụ hàng sau khi bán của Bosch sẽ xử lý việc bảo trì này một cách nhanh chóng và đáng tin cậy.

Điều chỉnh laser

Lưu ý: Để kiểm tra chức năng laser, máy phải được nối với nguồn điện.

► **Trong khi điều chỉnh laser (ví dụ khi dịch chuyển tay máy), không bao giờ được kích hoạt công tắc Tắt/Mở.** Sự vô tình khởi động dụng cụ điện có thể dẫn đến việc gây thương tích.

- Đặt máy ở vào tư thế hoạt động.
- Xoay bàn cơ (42) đến mẫu khóa (15) để đạt 0°.
- Cần (13) phải ăn khớp vào mẫu khóa.

Kiểm tra (xem hình T1)

- Vạch một đường cắt thẳng trên vật gia công.
- Đẩy từ từ cần trượt (34) bằng tay nắm (1) xuống.

- So thẳng vật gia công cách sao cho răng của lưỡi cưa cùng nằm thẳng hàng với đường cắt.
- Giữ vật gia công ở vị trí này và từ từ đưa cần trượt hướng lên trên.
- Kẹp chặt chi tiết gia công.
- Bật luồng laser lên bằng công tắc.

Luồng laser phải có khoảng hở đồng bộ như nhau trên toàn chiều dài của vật gia công có vạch đường cắt, ngay cả khi hạ thấp cần trượt xuống.

Điều chỉnh (xem Hình T2)

1. Điều chỉnh tia laser bên phải:

- Xoay vít định vị bên phải (68) bằng chìa vặn lục giác (18) cho đến khi tia laser bên phải nằm ngang bằng với đường cắt đã đánh dấu trên vật gia công suốt toàn bộ chiều dài.
- Khi ấy, tia laser bên trái sẽ di chuyển cùng.

Một vòng quay ngược chiều kim đồng hồ chuyển luồng laser từ trái sang phải; một vòng quay theo chiều kim đồng hồ chuyển luồng laser từ phải sang trái.

2. Điều chỉnh tia laser trái:

- Xoay vít định vị bên trái (68) bằng chìa vặn lục giác (18) cho đến khi tia laser trái cách đường cắt đã đánh dấu trên vật gia công một khoảng bằng tia laser phải.

Một vòng quay ngược chiều kim đồng hồ chuyển luồng laser từ trái sang phải; một vòng quay theo chiều kim đồng hồ chuyển luồng laser từ phải sang trái.

Điều chỉnh góc xiên đứng tiêu chuẩn 0°

- Đưa máy vào vị trí vận chuyển.
- Xoay bàn cơ (42) đến mẫu khóa (15) để đạt 0°.
- Cần (13) phải ăn khớp vào mẫu khóa.

Kiểm tra (xem hình U1)

- Chính thước đo góc đến 90° và đặt nó lên bàn cơ (42).

Chân thước đo góc phải nằm ngang bằng với lưỡi cưa (44) dọc theo toàn bộ chiều dài.

Điều chỉnh (xem hình U2)

- Nới lỏng cần khóa (14).
- Nới lỏng cả hai vít định vị (69) (ít nhất là 1 vòng) bằng chìa vặn ống (cỡ 10 mm).
- Nới lỏng vít định vị (71) (khoảng 3 vòng) bằng chìa vặn lục giác (4 mm) (17).
- Vặn vít định vị (70) bằng chìa vặn lục giác (4 mm) (17) vào hoặc ra cho đến khi chân thước góc nằm ngang bằng với lưỡi cưa dọc theo toàn bộ chiều dài.
- Siết chặt cần khóa (14) lại như trước. Sau đó, siết chặt vít định vị (71) rồi đến vít định vị (69) lại như trước.

Nếu chỉ báo góc (37) và (21) không thẳng hàng với vạch 0° của thước (36) sau khi điều chỉnh, hãy nới lỏng vít cố định của hiển thị góc bằng chìa vặn vít bốn cạnh và căn chỉnh chỉ báo góc dọc theo vạch 0°.

Điều chỉnh góc xiên đứng tiêu chuẩn 45° (trái)

- Đặt máy ở vào tư thế hoạt động.
- Xoay bàn cưa (42) đến mấu khóa (15) để đạt 0°. Cần (13) phải ăn khớp vào mấu khóa.
- Kéo chắn điều chỉnh được bên trái (6) ra ngoài hoàn toàn.
- Nới lỏng cần khóa (14) và xoay cần trượt bằng tay nắm (1) sang trái cho đến cỡ chặn (45°).

Kiểm tra (xem hình V1)

- Chính thước góc đến 45° và đặt lên bàn cưa (42).

Chân thước đo góc phải nằm ngang bằng với lưỡi cưa (44) dọc theo toàn bộ chiều dài.

Điều chỉnh (xem hình V2)

- Vận vít định vị (72) bằng chia vận điều cỡ (8 mm) vào hoặc ra cho tới khi chân của thước góc ngang bằng với lưỡi cưa dọc theo hết chiều dài.
- Siết chặt cần khóa (14) lại như trước.

Khi phần chỉ báo góc (37) và (21) không thẳng hàng với vạch 45 của thước đo (36) sau khi điều chỉnh, trước tiên, kiểm tra sự chính đặt 0° đối với góc xiên đứng và phần chỉ báo góc thêm một lần nữa. Sau đó, lặp lại bước điều chỉnh góc xiên đứng 45°.

Góc xiên đứng tiêu chuẩn 45° (phải)

- Đặt máy ở vào tư thế hoạt động.
- Xoay bàn cưa (42) đến mấu khóa (15) để đạt 0°. Cần (13) phải ăn khớp vào mấu khóa.
- Kéo chắn điều chỉnh được bên phải (6) ra ngoài hoàn toàn.
- Nới lỏng cần khóa (14).
- Nghiêng nhẹ cần trượt bằng tay nắm (1) từ vị trí 0° sang phải và vận núm xoay (43) cho đến khi tấm giới hạn góc xiên đứng mong muốn được hiển thị.
- Xoay cần trượt bằng tay nắm (1) sang phải đến cỡ chặn (45°).

Kiểm tra (xem hình W1)

- Chính thước góc đến 135° và đặt lên bàn cưa (42).

Chân thước đo góc phải nằm ngang bằng với lưỡi cưa (44) dọc theo toàn bộ chiều dài.

Điều chỉnh (xem hình W2)

- Vận vít định vị (73) bằng chia vận điều cỡ (8 mm) vào hoặc ra cho tới khi chân của thước góc ngang bằng với lưỡi cưa dọc theo hết chiều dài.
- Siết chặt cần khóa (14) lại như trước.

Khi phần chỉ báo góc (37) và (21) không nằm cùng hàng với vạch 45° của thước đo (36) sau khi điều chỉnh, trước tiên, kiểm tra sự chính đặt 0° đối với góc xiên đứng và phần chỉ báo góc thêm một lần nữa. Sau đó, lặp lại bước điều chỉnh góc xiên đứng 45°.

Cần chỉnh thước cho góc xiên ngang

- Đặt máy ở vào tư thế hoạt động.

- Xoay bàn cưa (42) đến mấu khóa (15) để đạt 0°. Cần (13) phải ăn khớp vào mấu khóa.

Kiểm tra (xem hình X1)

- Chính thước góc đến 90° rồi đặt giữa thanh chắn (7) và lưỡi cưa (44) trên bàn cưa (42).

Chân thước đo góc phải nằm ngang bằng với lưỡi cưa (44) dọc theo toàn bộ chiều dài.

Điều chỉnh (xem Hình X2)

- Nới lỏng tất cả bốn vít định vị (74) bằng chia vận lục giác (4 mm) (17) và xoay bàn cưa (42) cùng với thước (41) cho đến khi chân của thước góc ngang bằng với lưỡi cưa dọc theo toàn bộ chiều dài.

- Siết chặt các vít lại như cũ.

Nếu chỉ báo góc (64) không nằm thẳng với vạch 0° trên thước (41) sau khi điều chỉnh, hãy nới lỏng vít (75) bằng tuốc nơ vít đầu Phillips thông dụng và căn chỉnh chỉ báo góc dọc theo vạch 0°.

Điều chỉnh lực kẹp của cần khóa (14) (xem hình Y)

Lực kẹp của cần khóa (14) có thể điều chỉnh lại được.

Kiểm tra

- Lực kẹp giữ của cần khóa phải cố định vững chắc vị trí của cần trượt tại bất cứ góc xiên nào.

Điều chỉnh

- Nới lỏng cần khóa (14).
- Vận vít định vị (76) ngược chiều kim đồng hồ bằng chia vận ống (cỡ 17 mm) để làm giảm lực kẹp, hoặc vận theo chiều kim đồng hồ để làm tăng lực kẹp.
- Điều chỉnh góc xiên đứng, siết chặt cần khóa (14) lại lần nữa và kiểm tra xem liệu lực kẹp yêu cầu đã được đáp ứng.

Vận chuyển (xem Hình Z)

Trước khi vận chuyển dụng cụ điện, phải tiến hành các bước như sau:

- Đẩy cần trượt (34) hoàn toàn ra phía sau và cố định nó ở vị trí này.
- Hãy đảm bảo rằng cỡ định độ sâu (28) được ấn hoàn toàn vào trong và vít điều chỉnh (27) đi qua rãnh trong khi di chuyển tay máy mà không chạm vào cỡ định độ sâu.
- Đẩy cần trượt hướng xuống cho đến khi khóa an toàn dừng khi di chuyển (35) có thể đẩy hết vào bên trong
- Đẩy bàn cưa mở rộng (8) hết vào trong.
- Chính một góc xiên đứng 0° và siết chặt cần khóa (14).
- Xoay bàn cưa (42) sang trái đến cỡ chặn và vận chặt núm khóa (12).
- Nếu có thể, đặt những lưỡi cưa không được sử dụng tới vào trong một bao bì đóng gói để chuyển vận.

- Nếu có thể, đặt những lưỡi cưa không được sử dụng tới vào trong một bao bì đóng gói để chuyển vận.
- Để vận chuyển, hãy cắm vào hốc nắm (16) ở bên cạnh bàn cưa.
- ▶ **Chỉ sử dụng thiết bị vận chuyển khi di chuyển dụng cụ điện và không bao giờ sử dụng các bộ phận bảo vệ, cần trượt hoặc tay nắm.**

Bảo Dưỡng và Bảo Quản

Bảo Dưỡng Và Làm Sạch

- ▶ **Trước khi tiến hành bất cứ công việc gì với máy (ví dụ bảo dưỡng, thay dụng cụ v.v.) cũng như khi vận chuyển hay lưu kho, tháo pin ra khỏi dụng cụ điện.** Có nguy cơ gây thương tích khi vô tình làm kích hoạt công tắc Tắt/Mở.
- ▶ **Để được an toàn và máy hoạt động đúng chức năng, luôn luôn giữ máy và các khe thông gió được sạch.**

Chấn bảo vệ lưỡi dẫn hồi phải luôn luôn có thể chuyển động tự do, cơ thụ tự động. Vì vậy, luôn luôn giữ cho phạm vi chung quanh chấn bảo vệ lưỡi dẫn hồi được sạch.

Làm sạch bụi và dăm sau mỗi lần sử dụng máy bằng cách dùng hơi nén để thổi hay bằng cọ.

Thường xuyên vệ sinh bánh lăn (20).

Phụ kiện

	Mã số máy
Túi đựng bụi	1 609 B05 010
Giá cưa GTA 2500 W	0 601 B12 100
Bản làm việc GTA 2500 Compact	0 601 B12 400
Giá cưa GTA 2600	0 601 B12 300
Giá cưa GTA 3800	0 601 B24 000

3 601 M43 000: Lưỡi cưa gỗ và vật liệu dạng tấm, ván ô và nẹp

Standard for Wood 305 x 2,2/1,6 x 30 mm, 40 răng	2 608 837 741
Standard for Wood 305 x 2,2/1,6 x 30 mm, 60 răng	2 608 837 742
Standard for Wood 305 x 2,2/1,6 x 30 mm, 96 răng	2 608 837 744
Expert for Wood 305 x 2,2/1,6 x 30 mm, 42 răng	2 608 644 527
Expert for Wood 305 x 2,2/1,6 x 30 mm, 60 răng	2 608 644 528
Expert for Wood 305 x 2,2/1,6 x 30 mm, 96 răng	2 608 644 529

3 601 M43 000: Lưỡi cưa cho nhôm

	Mã số máy
Standard for Aluminium 305 x 2,4/1,8 x 30 mm, 96 răng	2 608 837 782
Expert for Aluminium 305 x 2,4/1,8 x 30 mm, 96 răng	2 608 644 547
3 601 M43 000: Lưỡi cưa cho tấm xi măng sợi	
Expert for Fibre Cement 305 x 2,2/1,6 x 30 mm, 8 răng	2 608 644 559

Dịch vụ hỗ trợ khách hàng và tư vấn sử dụng

Bộ phận phục vụ hàng sau khi bán của chúng tôi trả lời các câu hỏi liên quan đến việc bảo dưỡng và sửa chữa các sản phẩm cũng như phụ tùng thay thế của bạn. Sơ đồ mô tả và thông tin về phụ tùng thay thế cũng có thể tra cứu theo dưới đây:

www.bosch-pt.com

Đội ngũ tư vấn sử dụng của Bosch sẽ giúp bạn giải đáp các thắc mắc về sản phẩm và phụ kiện.

Trong tất cả các phản hồi và đơn đặt phụ tùng, xin vui lòng luôn luôn nhập số hàng hóa 10 chữ số theo nhãn của hàng hóa.

Việt Nam

CN CÔNG TY TNHH BOSCH VIỆT NAM TẠI TP.HCM

Tầng 14, Ngõ Nhà Đức, 33 Lê Duẩn

Phường Bến Nghé, Quận 1, Thành Phố Hồ Chí Minh

Tel.: (028) 6258 3690

Fax: (028) 6258 3692 - 6258 3694

Hotline: (028) 6250 8555

Email: tuvankhachhang-pt@vn.bosch.com

www.bosch-pt.com.vn

www.baohanhbosch-pt.com.vn

Xem thêm địa chỉ dịch vụ tại:

www.bosch-pt.com/serviceaddresses

Vận chuyển

Pin có chứa Li-Ion là đối tượng phải tuân theo các qui định của Pháp Luật về Hàng Hóa Nguy Hiểm. Người sử dụng có thể vận chuyển pin hợp khối bằng đường bộ mà không cần thêm yêu cầu nào khác.

Khi được vận chuyển thông qua bên thứ ba (vd. vận chuyển bằng đường hàng không hay đại lý giao nhận), phải tuân theo các yêu cầu đặc biệt về đóng gói và dán nhãn. Phải tham vấn chuyên gia về hàng hóa nguy hiểm khi chuẩn bị gói hàng.

Chỉ gửi pin hợp khối khi vỏ ngoài không bị hư hỏng. Dán băng keo hay che kín các điểm tiếp xúc hở và đóng gói pin hợp khối theo cách sao cho pin không thể xê dịch khi nằm trong bao bì. Ngoài ra, xin vui lòng chấp hành các qui định chi tiết có thể được bổ sung thêm của quốc gia.

Sự thải bỏ



Dụng cụ điện, pin, phụ kiện và bao bì cần được tái sử dụng theo quy định về môi trường.



Bạn không được ném dụng cụ điện và pin vào thùng rác gia đình!

Pin/ắc quy:

Li-ion:

Tuân thủ những hướng dẫn trong phần vận chuyển (xem „Vận chuyển“, Trang 187).

مخصص للاستعمال الخارجي من خطر الصدمات الكهربائية.

◀ **إن لم يكن بالإمكان تجنب تشغيل العدة الكهربائية في الأجواء الرطبة، فاستخدم مفتاح للوقاية من التيار المتخلف.** إن استخدام مفتاح للوقاية من التيار المتخلف يقلل خطر الصدمات الكهربائية.

أمان الأشخاص

◀ **كن يقظا وانتبه إلى ما تفعله واستخدم العدة الكهربائية بتعقل.** لا تستخدم عدة كهربائية عندما تكون متعبا أو عندما تكون تحت تأثير المخدرات أو الكحول أو الأدوية. عدم الانتباه للحظة واحدة عند استخدام العدة الكهربائية قد يؤدي إلى إصابات خطيرة.

◀ **قم لارتداء تجهيزات الحماية الشخصية.** وارتد دائما نظارات واقية. يعد ارتداء تجهيزات الحماية الشخصية، كقناع الوقاية من الغبار وأحذية الأمان الواقية من الانزلاق والخوذ أو واقية الأذنين، حسب ظروف استعمال العدة الكهربائية، من خطر الإصابة بجروح.

◀ **تجنب التشغيل بشكل غير مقصود.** تأكد من كون العدة الكهربائية مطفأة قبل توصيلها بالتيار الكهربائي و/أو بالمركم، وقبل رفعها أو حملها. إن كنت تضع إصبعك على المفتاح أثناء حمل العدة الكهربائية أو إن وصلت الجهاز بالشبكة الكهربائية بينما لا مفتاح على وضع التشغيل، قد يؤدي إلى وقوع الحوادث.

◀ **انزع أداة الضبط أو مفتاح الربط قبل تشغيل العدة الكهربائية.** قد تؤدي الأداة أو المفتاح المتواجد في جزء دوار من الجهاز إلى الإصابة بجروح.

◀ **تجنب أوضاع الجسم غير الطبيعية.** قف بأمان وحافظ على توازنك دائما. سيسمح لك ذلك بالتمكك في الجهاز بشكل أفضل في المواقف الغير متوقعة.

◀ **قم بارتداء ثياب مناسبة.** لا ترتد الثياب الفضفاضة أو الملحق. احرص على إبقاء الشعر والملابس بعيدا عن الأجزاء المتحركة. قد تتشابك الثياب الفضفاضة والملح والشعر الطويل بالأجزاء المتحركة.

◀ **إن جاز تركيب تجهيزات شفت وتجميع الغبار، فتأكد من أنها موصولة وبأنه يتم استخدامها بشكل سليم.** قد يقلل استخدام تجهيزات لشفت الغبار من المخاطر الناتجة عن الغبار.

◀ **لا تستخدم العدة الكهربائية بلا مبالاة وتجاهل قواعد الأمان الخاصة بها نتيجة لتعودك على استخدام العدة الكهربائية وكثرة استخدامها.** فقد يتسبب الاستخدام دون حرص في حدوث إصابة بالغة تحدث في أجزاء من الثانية.

◀ **استخدام العدد الكهربائية والعناية بها لا تفرط بتحميل الجهاز.** استخدم لتفنيذ أشغالك العدة الكهربائية المخصصة لذلك. إنك تعمل بشكل أفضل وأكثر أماناً بواسطة العدة الكهربائية الملائمة في مجال الأداء المذكور.

◀ **لا تستخدم العدة الكهربائية إن كان مفتاح تشغيلها تالف.** العدة الكهربائية التي لم يعد من

عربي

إرشادات الأمان

تحذيرات أمان عامة للعدد الكهربائية

تحذير اطلع على كافة تحذيرات الأمان والتعليمات والصور والمواصفات المرفقة بالعدة الكهربائية. عدم اتباع التعليمات الواردة أدناه قد يؤدي إلى حدوث صدمة كهربائية، إلى نشوب حريق و/أو الإصابة بجروح خطيرة.

احتفظ بجميع الملاحظات التحذيرية والتعليمات للمستقبل.

يقصد بمصطلح «العدة الكهربائية» المستخدم في الملاحظات التحذيرية، العدد الكهربائية الموصولة بالشبكة الكهربائية (بواسطة كابل الشبكة الكهربائية) وأيضاً العدد الكهربائية المزودة بمركم (دون كابل الشبكة الكهربائية).

الأمان بمكان الشغل

◀ **حافظ على نظافة مكان شغلك وإضاءةه بشكل جيد.** الفوضى في مكان الشغل ونطاقات العمل غير المضاء قد تؤدي إلى وقوع الحوادث.

◀ **لا تشغل بالعدة الكهربائية في نطاق معرض لخطر الانفجار مثل الأماكن التي تتوفر فيه السوائل أو الغازات أو الأبخرة القابلة للاشتعال.** العدد الكهربائية تولد شرراً قد يتطاير، فيشعل الأبخرة والأبخرة.

◀ **حافظ على بقاء الأطفال وغيرهم من الأشخاص بعيدا عندما تستعمل العدة الكهربائية.** تشتت الانتباه قد يتسبب في فقدان السيطرة على الجهاز.

الأمان الكهربائي

◀ **يجب أن يتلائم قابس العدة الكهربائية مع المقبس.** لا يجوز تغيير القابس بأي حال من الأحوال. لا تستعمل القوايس المهائية مع العدد الكهربائية المؤرصة (ذات طرف أرضي). تخفّض القوايس التي لم يتم تغييرها والمقابس الملائمة من خطر الصدمات الكهربائية.

◀ **تجنب ملامسة جسمك للأسطح المؤرصة كالأنابيب والمبردات والمواقد أو التلجبات.** يزداد خطر الصدمات الكهربائية عندما يكون جسمك مؤرض أو موصل بالأرضي.

◀ **أبعد العدة الكهربائية عن الأمطار أو الرطوبة.** يزداد خطر الصدمات الكهربائية إن تسرب الماء إلى داخل العدة الكهربائية.

◀ **لا تسئ استعمال الكابل.** لا تستخدم الكابل في حمل العدة الكهربائية أو سحبها أو سحب القابس من المقبس. احرص على إبعاد الكابل عن الحرارة والزيت والحواف الحادة أو الأجزاء المتحركة. تزيد الكابلات التالفة أو المتشابكة من خطر الصدمات الكهربائية.

◀ **عند استخدام العدة الكهربائية خارج المنزل اقتصر على استخدام كابلات التمديد الصالحة للاستعمال الخارجي.** يقلل استعمال كابل تمديد

- ذلك. قد يؤدي سائل المركم المتسرب إلى تهيج البشرة أو إلى الاحتراق.
- ◀ لا تستخدم عدة أو مركم تعرضاً لأضرار أو للتعديل. البطاريات المتعرضة لأضرار أو لتعدلات قد ينتج عنها أشياء لا يمكن التنبؤ بها، قد تسبب نشوب حريق أو حدوث انفجار أو إصابات.
- ◀ لا تعرض المركم أو العدة للهب أو لدرجة حرارة زائدة. التعرض للهب أو لدرجة حرارة أعلى من 130 °م قد يتسبب في انفجار.
- ◀ اتبع تعليمات الشحن ولا تقم بشحن المركم أو العدة خارج نطاق درجة الحرارة المحدد في التعليمات. الشحن بشكل غير صحيح أو في درجات حرارة خارج النطاق الممدد قد يعرض المركم لأضرار ويزيد من مخاطر الحريق.

الخدمة

- ◀ احرص على إصلاح عدتك الكهربائية فقط بواسطة العمال المتخصصين وباستعمال قطع الغيار الأصلية فقط. يضمن ذلك المحافظة على أمان الجهاز.
- ◀ لا تقم بإجراء أعمال خدمة على المراكم التالفة. أعمال الخدمة على المراكم يجب أن تقوم بها الجهة الصانعة فقط أو مقدم الخدمة المعتمد.

تحذيرات الأمان الخاصة بمناشير التلسين

- ◀ مناشير التلسين مخصصة لقطع الأخشاب أو المنتجات الشبيهة بالأخشاب، ولا يمكن استخدامها مع أقراص القطع السمجية لقطع المواد الحديدية مثل القضبان والسيقان والجويطات المعدنية وخلافه ويسبب الغبار الخشن انحصار الأجزاء المتحركة مثل الواقية السفلية. كما أن الشرر الناتج عن القطع السجج يؤدي لاحتراق الواقية السفلية، ووليجة الشق والأجزاء البلاستيكية الأخرى.
- ◀ استخدم قامطات لتدعيم قطعة الشغل إن أمكن ذلك. وفي حالة تدعيم قطعة الشغل بيدك، فيجب أن تبعد يدك دائماً عن جانبي شفرة المنشار لمسافة لا تقل عن 100 مم. لا تستخدم هذا المنشار لقطع قطع صغيرة للغاية لدرجة يصعب معها قمتها بإحكام أو تثبيتها باليد. إذا وضعت يدك على مسافة قريبة للغاية من نصل المنشار، فسيكون هناك خطر متزايد من التعرض للإصابة من جراء ملامسة الشفرة.
- ◀ يجب أن تكون قطعة الشغل ثابتة ومحمكة التثبيت بقامطة أو مثبتة باتجاه كلا من المصدر والطاولة. لا تقم بتمرير قطعة الشغل على الشفرة ولا تقطع بأي حال من الأحوال «بدون وسائل مساعدة». فقطع الشغل غير المثبتة أو المتحركة قد تندفع عند العمل بالسرعات العالية، مما يتسبب في التعرض لإصابات.
- ◀ ادفع المنشار عبر قطعة الشغل. ولا تجذب المنشار عبر قطعة الشغل. لعمل قطعية، ارفع رأس المنشار واسحبها فوق قطعة الشغل دون إجراء قطع، ثم أدر المحرك، واضغط على رأس المنشار لأسفل وادفع المنشار عبر قطعة الشغل. أما القطع من خلال

- الممكن التحكم بها عن طريق مفتاح التشغيل والإطفاء تعتبر خطيرة ويجب أن يتم إصلاحها.
- ◀ اسحب القابس من المقبس و/أو اخلع المركم، إذا كان قابلاً للخلع، قبل ضبط الجهاز وقبل استبدال الملحقات أو قبل تخزين الجهاز. تمنع هذه الإجراءات وقائية تشغيل العدة الكهربائية بشكل غير مقصود.
- ◀ احتفظ بالعدد الكهربائية التي لا يتة استخدامها بعيداً عن متناول الأطفال. لا تسمح باستخدام العدة الكهربائية لمن لا خبرة له بها أو لمن لم يقرأ تلك التعليمات. العدد الكهربائية خطيرة إن تم استخدامها من قبل أشخاص دون خبرة.
- ◀ اعتن بالعدد الكهربائية والملحقات بشكل جيد. تأكد أن أجزاء الجهاز المتحركة مركبة بشكل سليم وغير مستعصية عن الحركة، وتفحص ما إن كانت هناك أجزاء مكسورة أو في حالة تؤثر على سلامة أداء العدة الكهربائية. ينبغي إصلاح هذه الأجزاء التالفة قبل إعادة تشغيل الجهاز. الكثير من الموادث مصدرها العدد الكهربائية التي تتم صيانتها بشكل رديء.
- ◀ احرص على إبقاء عدد القطع نظيفة وحادة. إن عدد القطع ذات حواف القطع المادة التي تم صيانتها بعناية تتكلم بشكل أقل ويمكن توجيهها بشكل أيسر.
- ◀ استخدم العدد الكهربائية والتوايح وربش الشغل إلخ. وفقاً لهذه التعليمات. تراعى أثناء ذلك ظروف الشغل والعمل المراد تنفيذه. استخدام العدد الكهربائية لغير الأشغال المخصصة لأجلها قد يؤدي إلى حدوث الحالات الخطيرة.
- ◀ احرص على إبقاء المقابض وأسطح المسك جافة ونظيفة وخالية من الزيوت والشحوم. المقابض وأسطح المسك الزلقة لا تتبع التشغيل والتحكم الآمن في العدة في المواقف غير المتوقعة.
- ◀ استخدام العدد المزودة بمركم والعناية بها اشحن المراكم فقط في أجهزة الشحن التي يُصنع باستخدامها من طرف المنتج. قد يتسبب جهاز الشحن المخصصة لنوع معين من المراكم في خطر الحريق إن تم استخدامه مع نوع آخر من المراكم.
- ◀ استخدم العدد الكهربائية فقط مع المراكم المصممة لهذا الغرض. قد يؤدي استخدام المراكم الأخرى إلى إصابات وإلى خطر نشوب المرائق.
- ◀ حافظ على إبعاد المركم الذي لا يتة استعماله عن مشابك الورق وقطع النقود المعدنية والمفاتيح والمسامير واللواكب أو غيرها من الأغراض المعدنية الصغيرة التي قد تقوم بتوصيل الملامسين ببعضهما البعض. قد يؤدي تقصير الدارة الكهربائية بين ملامسي المركم إلى الاحتراق أو إلى اندلاع النار.
- ◀ قد يتسرب السائل من المركم في حالة سوء الاستعمال. تجنب ملامسته. اشطفه بالماء في حال ملامسته بشكل غير مقصود. إن وصل السائل إلى العينين، فراجع الطبيب إضافة إلى

- شوط سحب فسوف يتسبب على الأرجح في صعود شفرة المنشار فوق قطعة الشغل واندفاع مجموعة الشفرة بحنف باتجاه المشغل.
- ◀ لا تضع يدك في وضع متقاطع فوق خط القطع المقرر سواء أمام أو خلف شفرة المنشار. حيث إن تدعيم قطعة الشغل «بيد في وضع متقاطع» أي تثبيت قطعة الشغل بيدك اليسرى على يمين شفرة المنشار أو العكس يعد أمراً خطيراً للغاية.
- ◀ لا تمد إحدى يديك خلف المصد لمسافة تقل عن 100 مم من جانبي شفرة المنشار، لإزالة نشارة الخشب أو لأي سبب آخر أثناء دوران الشفرة. حيث إن اقتراب شفرة المنشار الدوارة من يدك قد لا يكون واضحاً وقد تتعرض لإصابة بالغة.
- ◀ افحص قطعة الشغل الخاصة بك قبل القطع. إذا كانت قطعة الشغل مقوسة أو ملتوية، فقم بقمطها باستخدام الجانب المقوس للخارج باتجاه المصد. وتأكد دائماً من عدم وجود فجوة بين قطعة الشغل والمصد والطاولة على طول خط القطع. قطع الشغل المتنية أو الملتوية يمكن أن تنرف أو تتحرك وقد تتسبب في إعاقة حركة شفرة المنشار الدوارة أثناء القطع. وينبغي ألا يكون هناك أية مسامير أو أجسام غريبة في قطعة الشغل.
- ◀ لا تستخدم المنشار حتى يتم إخلاء الطاولة من جميع الأدوات ونشارة الخشب وخلافه، بحيث لا يبقى سوى قطعة الشغل. فالعواقب الصغيرة أو القطع الخشبية السائبة أو الأجسام الأخرى التي تتلامس مع الشفرة الدوارة يمكن أن تتطاير بسرعة عالية.
- ◀ أقطع قطعة شغل واحدة فقط في كل مرة. حيث إن قطع الشغل العديدة المتراكمة لا يمكن قمطها أو تدعيمها كما ينبغي، وقد تتسبب في إعاقة حركة شفرة المنشار أو قد تنرف أثناء القطع.
- ◀ تأكد أن منشار التلسين مركب أو موضوع على سطح عمل مستو وثابت قبل الاستخدام. فسطح العمل المستوي والثابت يقلل من خطر عدم اتزان منشار التلسين.
- ◀ قم بتخطيط عملك. كل مرة تقوم فيها بتغيير وضع ضبط زاوية القطع المائل أو المشطوف، تأكد أن المصد القابل للضبط مضبوط بشكل صحيح لتدعيم قطعة الشغل ولكي لا يتداخل مع الشفرة أو نظام الحماية. دون «تشغيل» الجهاز ودون وضع قطعة شغل على الطاولة، قم بتحريك شفرة المنشار لمحاكاة عملية قطع كاملة وذلك لضمان عدم حدوث تداخل أو خطر تعرض المصد للقطع.
- ◀ قم بتوفير وسيلة تدعيم مناسبة مثل تطويلات الطاولة وحوامل المنشار وخلافه لقطعة الشغل التي يزيد عرضها أو طولها عن سطح الطاولة. قطع الشغل التي يزيد طولها أو عرضها عن طاولة منشار التلسين يمكن أن تنقلب إذا لم يتم تدعيمها بإحكام. في حالة انقلاب قطعة الشغل أو القطعة المقطوعة، فإنها قد تتسبب في رفع الواقية السفلية أو تطايرها بفعل الشفرة الدوارة.
- ◀ لا تستخدم شخص آخر كبديل لتطويلة الطاولة أو كتدعيم إضافي. فالتدعيم غير المتزن لقطعة
- الشغل يمكن أن يتسبب في إعاقة حركة الشفرة أو انزراف قطعة الشغل أثناء عملية القطع ومن ثم سببك أنت ومعاونك نحو الشفرة الدوارة.
- ◀ يجب ألا يتم زلق أو ضغط القطعة المقطوعة بأية وسائل في مواجهة شفرة المنشار الدوارة. فإذا كانت المسافة محدودة، أي في حالة استخدام مصدات طول، فقد تنمشر القطعة المقطوعة بمواجهة الشفرة وتندفع بقوة.
- ◀ استخدم دائماً قامة أو وسيلة تثبيت مصممة لتدعيم المواد المستديرة بشكل صحيح مثل القضبان أو الأنابيب. حيث تميل القضبان للتدريج أثناء قطعها، مما يتسبب في قيام الشفرة «بعضات» ومن ثم سحب قطعة الشغل ويترك نمو الشفرة.
- ◀ دع الشفرة تصل إلى سرعتها القصوى قبل ملامستها لقطعة الشغل. فهذا يقلل من خطر تعرض قطعة الشغل للاندفاع.
- ◀ وإذا تعرضت قطعة الشغل أو الشفرة للانحسار، فأوقف منشار التلسين. وانتظر حتى تتوقف جميع الأجزاء المتحركة وافصل القابض عن مصدر الإمداد بالكهرباء و/أو أخرج البطارية. ثم اعمل على تحرير المادة المنحصرة. أما مواصلة النشر بينما قطعة الشغل منحصرة فقد يتسبب في فقدان السيطرة على منشار التلسين أو حدوث ضرر به.
- ◀ بعد انتهاء القطع، اترك المفتاح، وقم بإنزال رأس المنشار لأسفل وانتظر حتى تتوقف الشفرة قبل إزالة القطعة المقطوعة. تقرب يدك من الشفرة المستمرة في الدوران يعد أمراً خطيراً.
- ◀ أمسك المقبض جيداً عند عمل قطعية غير كاملة أو عند ترك المفتاح قبل أن تصعب رأس المنشار بالكامل في الوضع السفلي. فقد تتسبب حركة كبح المنشار في جذب رأس المنشار بشكل مفاجئ لأسفل، مما يتسبب في خطر التعرض للإصابة.
- ◀ لا تترك المقبض اليدوي عند وصول رأس النشر إلى أدنى موضع. قم دائماً بإرجاع رأس النشر يدوياً إلى أعلى موضع. في حالة تمرك رأس النشر دون تحكم فقد يؤدي هذا إلى نشوء خطر إصابة.
- ◀ حافظ على نظافة مكان العمل. كما أن اختلاط المواد بعضها ببعض أمر خطير جداً. حيث يمكن أن يشتعل غبار المعدن الخفيف أو بنفجر.
- ◀ لا تستخدم أنصال المنشار الثالمة أو المتشققة أو المتلوية أو التالفة. فأنصال المنشار ذات الأسنان الثالمة أو المترصفة بشكل خاطئ تتسبب من جراء شق النشر الشديد الضيق بالاحتكاك الزائد وبانقماط نصل المنشار وبالصددمات الارتدادية.
- ◀ لا تستخدم أنصال المنشار المصنوعة من الفولاذ العالي الأشابة المناسب للسرعات العالية (فولاذ HSS). فأنصال المنشار هذه قد تنكسر بسهولة.
- ◀ احرص دائماً على استخدام أنصال ذات شكل ومقاس صحيحين (ماسي مقابل مستدير) لتجاويف الوسطى. أنصال المنشار غير المناسبة

- ◀ أجزاء تركيب المنشار ستدور بشكل حائد عن المركز مما يتسبب في فقدان التحكم.
- ◀ لا تبعد بقايا القص أو نشارة الخشب أو ما شابه عن مجال القطع أبدا أثناء تشغيل العدة الكهربائية. وجه دائما ذراع العدة إلى وضع الاستراحة أولا، ثم اطفئ العدة الكهربائية.
- ◀ لا تلمس نصل المنشار بعد العمل، قبل أن يبرد. يسخن نصل المنشار أثناء العمل بشدة.
- ◀ قد تتطلق أبخرة عند تلف المرمك واستخدامه بطريقة غير ملائمة. يمكن أن يحترق المرمك أو يتعرض للانفجار. أمن توفر الهواء النقي وراجع الطبيب إن شعرت بشكوى. قد تهيج هذه الأبخرة المجاري التنفسية.
- ◀ لا تفتح المرمك. يتشكل خطر تقصير الدائرة الكهربائية.
- ◀ يمكن أن يتعرض المرمك لأضرار من خلال الأشياء المدببة مثل المسامير والمفكات أو من خلال تأثير القوى الخارجية. وقد يؤدي هذا إلى تقصير الدائرة الكهربائية الداخلية واحترق المرمك أو خروج الأذخنة منه أو انفجاره وتعرضه لسخونة مفرطة.
- ◀ اقتصِر على استخدام المرمك في منتجات الجهة الصانعة. يتم حماية المرمك من فُرط التحميل الخطير بهذه الطريقة فقط دون غيرها.
- احرص على حماية المرمك من الحرارة، بما ذلك التعرض لأشعة الشمس باستمرار ومن النار والاتساخ والماء والرطوبة. حيث ينشأ خطر الانفجار وخطر حدوث دائرة قصر.
- ◀ لا تطمس اللافتات التحذيرية على العدة الكهربائية أبدا.
- ◀ العدة الكهربائية ماردة مع لافتة تحذير الليزر (انظر الجدول «الرموز ومعانيها»).
- ◀ لا توجه شعاع الليزر على الأشخاص أو الحيوانات ولا توجه نظرك إلى شعاع الليزر المباشر أو المنعكس. حيث يتسبب ذلك في إبهار الأشخاص أو في وقوع حوادث أو حدوث أضرار بالعينين.
- ◀ في حالة سقوط أشعة الليزر على العين، فقم بغلقها على الفور، وأبعد رأسك عن شعاع الليزر.
- ◀ لا تستخدم أدوات مجمعة للضوء مثل النظارة المكبرة وما شابه لرؤية مصدر الأشعة. يمكن أن تتضرر عينك من جراء ذلك.
- ◀ لا توجه شعاع الليزر على الأشخاص الذين ينظرون عبر عدسة مكبرة أو ما شابه. يمكن أن يتسبب ذلك في تعرض أعينهم لأضرار.
- ◀ لا تقم بإجراء تغييرات على جهاز الليزر. يمكنك استخدام إمكانات الضبط الواردة في دليل التشغيل دون خطورة.
- ◀ لا استخدم نظارة رؤية الليزر (الملحقات) كنظارة حماية. فنظارة رؤية الليزر تستخدم لاستقبال شعاع الليزر بشكل أفضل، إلا أنها لا تحمي من إشعاع الليزر.
- ◀ لا تستخدم نظارة رؤية الليزر (توابع) كنظارة شمس أو كنظارة للارتداء أثناء الحركة المرورية. لا تقوم نظارة رؤية الليزر بالحماية التامة

من الأشعة فوق البنفسجية، كما أنها تقلل القدرة على تمييز الألوان.

◀ احترس - في جالة الاستخدام بطريقة تختلف مع التجهيزات أو وسائل الضبط المذكورين أو تطبيق طريقة عمل أخرى، فقد يؤدي ذلك إلى التعرض لأشعة الشمس بشكل خطير.

◀ لا تستبدل الليزر المرمك بليزر من طراز آخر. قد يشكل الليزر غير الملائم للعدة الكهربائية هذه خطرا على الأشخاص.

◀ احترس! عند استخدام العدة الكهربائية المزودة بتقنية Bluetooth® قد يتسبب هذا في حدوث تشويش على الأجهزة والأنظمة والطائرات والأجهزة الطبية الأخرى (على سبيل المثال منظم ضربات القلب، السماعات الطبية). كما لا يمكن أيضا استبعاد حدوث أضرار للأشخاص أو الحيوانات المتواجدين في النطاق القريب. لا تستخدم العدة الكهربائية المزودة بتقنية Bluetooth® بالقرب من الأجهزة الطبية ومحطات التزود بالوقود ومصانع الكيماويات والمناطق التي يتهددها خطر الانفجار. لا تستخدم العدة الكهربائية المزودة بتقنية Bluetooth® في الطائرات. تجنب التشغيل لمدد طويلة على مسافة قريبة من الجسم.

اسم ماركة Bluetooth® وشعاراتها هي علامات تجارية مسجلة، وهي ملك لشركة Bluetooth SIG Inc. أي استخدام لاسم الماركة/شعارها من قبل شركة Robert Bosch Power Tools GmbH يتم من خلال ترخيص.

الرموز

قد تكون الرموز التالية ذات أهمية من أجل استعمال عدتك الكهربائية. يرجى حفظ الرموز ومعناها. يساعدك تفسير الرموز بشكل صحيح على استعمال عدتك الكهربائية بطريقة أفضل وأكثر أماناً.

الرموز ومعناها

- شعاع الليزر
لا تنظر مباشرة باستخدام التليسكوب البصري الليزر من الفئة 1M
- لا تقترُب ببيدك من نطاق النشر أثناء عمل العدة الكهربائية. قد تحدث إصابات عند ملامسة شفرة المنشار.
- قم بارتداء قناع للوقاية من الغبار.
- قم بارتداء نظارات واقية.



الرموز ومعناها

مقبض الشد مغلق:
تمفظ زاوية الشطب العمودية بذراع
الإزلاق التي تم ضبطها.

توضع الخطوات المفردة لتغيير زاوية
الشطب العمودية.

1. قم بحد مقبض الشد
2. قم بتمريك ذراع الإزلاق نحو اليسار بعض الشيء
3. اضبط مجال زاوية الشطب العمودية المرغوب من المقبض الدوار



ضبط مجالات زوايا الشطب العمودية
من المقبض الدوار:



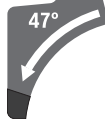
ميل شفرة المنشار نحو اليسار (45°
حتى 0°)

L

ميل شفرة المنشار نحو اليمين (0°
حتى 45°)

45° R

مجال الحركة الكلي لذراع الإزلاق (-
47° حتى +47°)



وصف المنتج والأداء

**اقرأ جميع إرشادات الأمان
والتعليمات.** ارتكاب الأخطاء عند تطبيق
إرشادات الأمان والتعليمات، قد يؤدي
إلى حدوث صدمات كهربائية أو إلى
نشوب الحرائق و/أو الإصابة بجروح
خطيرة.



يرجى الرجوع إلى الصور الموجودة في الجزء الأول من
دليل التشغيل.

الاستعمال المخصص

لقد خصصت العدة الكهربائية لأداء القطوع
المستقيمة الطولية والعرضية في الخشب بالاستعمال
الثابت. ويمكن نشر زوايا الشطب الأفقية من -52°
إلى +60° وأيضا زوايا الشطب العمودية من 47° (من
الجهة اليسرى) إلى 47° (من الجهة اليمنى).

لقد تم تحديد قدرة العدة الكهربائية من أجل نشر
الخشب الصلب والطري وأيضا ألواح ألياف الخشب
والخشب المضغوط.

يجوز نشر مجسمات الألمنيوم واللدائن عند استخدام
شفرات المنشار الملائمة.

يمكن نقل البيانات والإعدادات الخاصة بالعدة
الكهربائية عندما يكون الموديل Low[®] Bluetooth
GCY 42Energy Module مستخدما وذلك عن طريق
تقنية Bluetooth[®] اللاسلكية، حيث يتم النقل بين
العدة الكهربائية والجهاز الجوال.

الرموز ومعناها

قم بارتداء واقية سمع. قد يؤدي
تأثير الضجيج إلى فقدان قدرة
السمع.



**نطاق الخطر! حافظ على إبعاد
اليدين والأصابع والذراعين عن
هذا النطاق قدر الإمكان.**



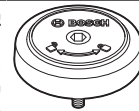
**لا تضع أصابعك بين الأجزاء
المتحركة بذراع الإزلاق.** يجوز أن
تتعرض أصابعك للانحصار، فتصاب
بجروح بالغة.



تراعى مقاسات شفرة المنشار. يجب
أن يتلاءم قطر الثقب مع محور
دوران العدة دون وجود نسبة
تفاوت. إذا كان من الضروري
استخدام قطع التصغير احرص على
أن تلائم أبعاد قطعة التصغير سمك
الشفرة الفولاذية وقطر الثقب
الخاص بشفرة المنشار بالإضافة
لقطر محور دوران العدة. استخدم
قدر الإمكان قطع التصغير الموردة
مع شفرة المنشار.
يجب أن يطابق قطر شفرة المنشار
الرقم الموجود على الرمز.



يشير اتجاه دوران خابور SDS لإحكام
ربط شفرة المنشار (إلى عكس اتجاه
دوران عقارب الساعة)، أما لفك
شفرة المنشار (فإلى اتجاه دوران
عقارب الساعة).



أمسك بالعدة الكهربائية لنقلها فقط
من الأماكن التي تم تمييزها
(تجاويف المسك) أو من مقبض
النقل.



لا تحمل العدة الكهربائية أبدا من
المقبض اليدوي بذراع الإزلاق.



في حالة زاوية الشطب العمودية
يجب أن تترك سكة المصادمة
اليسرى أو اليمنى أو تخلعها تماما.



يتبع المحرك فائق القدرة بالارتباط
مع المراكم ProCORE 18 فلت قدرة
يمكن مقارنتها بمحركات العدد
الكهربائية العاملة بسلك كهربائي.



مقبض الشد مفتوح:
يمكن ضبط زوايا الشطب العمودية.



الأجزاء المصورة

يشير ترقيم الأجزاء المصورة إلى رسوم العدة الكهربائية الموجودة في صفحة الرسوم التخطيطية.

- (1) مقبض يدوي
- (2) قفل تشغيل مفتاح التشغيل والإطفاء
- (3) واجهة المستخدم
- (4) غطاء الوقاية
- (5) غطاء وقاية متأرجع
- (6) سكة مصادمة قابلة للضبط
- (7) سكة المصادمة
- (8) تعريض قاعدة المنشار
- (9) تجاوز التركيب
- (10) صفحة التلقيم
- (11) مشبك تثبيت
- (12) مقبض تثبيت لزوايا الشطب المرغوبة (أفقياً)
- (13) ذراع لضبط زوايا الشطب مسبقاً (أفقياً)
- (14) مقبض شد لزوايا الشطب المرغوبة (عمودياً)
- (15) حوزر توقيف لزوايا الشطب القياسية (أفقياً)
- (16) تجاوز المسك
- (17) مفتاح سداسي الرأس المجوف (6 مم/4 مم)
- (18) مفتاح سداسي الرأس مجوف (2 مم)
- (19) الملزمة
- (20) بكرة إزلاق
- (21) مؤشر زاوية لمجال زاوية الشطب اليمنى (0° حتى 47°) (عمودياً)
- (22) حارفة النشارة
- (23) مسمار SDS
- (24) مقذف النشارة
- (25) ذراع زنق آلية الإزلاق
- (26) مهائى الشفط
- (27) لولب ضبط محدد العمق
- (28) محدد العمق
- (29) لافطة تحذير الليزر
- (30) غطاء وقاية الليزر
- (31) غطاء الموديول Low Energy® Bluetooth Module GCY 42
- (32) المركم^a
- (33) زر تحرير المركم^a
- (34) ذراع الإزلاق
- (35) وسيلة تأمين النقل
- (36) تدريب زوايا الشطب (عمودياً)
- (37) مؤشر زاوية لمجال زاوية الشطب اليسرى (47° حتى 0°) (عمودياً)
- (38) زر ضبط زاوية الشطب المائل 22,5° (عمودياً)
- (39) لولب تثبيت المصادم الطولي
- (40) المصادم الطولي
- (41) مقياس زوايا الشطب (أفقياً)
- (42) قاعدة المنشار
- (43) مقبض دوار لضبط مجال زاوية الشطب (العمودية)
- (44) شفرة المنشار
- (45) فتحة خروج أشعة الليزر
- (46) مبین حالة شحن المركم (واجهة المستخدم)
- (47) مبین الوضع الاقتصادي ECO (واجهة المستخدم)
- (48) زر الاختيار المسبق لعدد اللفات (واجهة المستخدم)
- (49) مبین مستوى عدد اللفات/الوضع (واجهة المستخدم)
- (50) مبین الهاتف الذكي (واجهة المستخدم)
- (51) مبین حالة العدة الكهربائية (واجهة المستخدم)
- (52) مبین درجة الحرارة (واجهة المستخدم)
- (53) قفل محور الدوران
- (54) لولب مسدس الحواف داخلياً لتثبيت شفرة المنشار
- (55) شفة الشد
- (56) شفة شد داخلية
- (57) ذراع زنق امتداد قاعدة المنشار
- (58) لولب تثبيت لسكة المصادمة القابلة للضبط
- (59) المخمد
- (60) لولب ضبط التخمد
- (61) ثقب للملزمة
- (62) لولب مجنح
- (63) قضيب ملولب
- (64) مؤشر زاوية لزوايا الشطب (أفقياً)
- (65) مفتاح التشغيل والإطفاء
- (66) لولب صفحة التلقيم
- (67) لولب زنق المصادم الطولي
- (68) لولب ضبط لتركيز الليزر (التراسف)
- (69) لولب تعديل للضبط الأساسي 0° (زاوية الشطب العمودية)
- (70) /
- (71) /
- (72) لولب تعديل للضبط الأساسي 45° (زاوية الشطب العمودية اليسرى)
- (73) لولب تعديل للضبط الأساسي 45° (زاوية الشطب المائل العمودية اليمنى)
- (74) لولب ضبط التدريج لزوايا الشطب (أفقياً)
- (75) لولب مؤشر الزاوية (أفقياً)
- (76) لولب ضبط قوة زنق مقبض الشد لزوايا الشطب المائلة المرغوبة (عمودياً)
- (a) لا يتضمن إطار التوريد الاعتيادي التوابع المصورة أو المشروحة. تجد التوابع الكاملة في برنامجنا للتوابع.

التركيب

◀ انزع المركم عن العدة الكهربائية قبل إجراء أي أعمال بالعدة الكهربائية (مثلاً: الصيانة، استبدال العدد وإلخ..) وأيضاً عند نقلها أو تخزينها. هناك خطر إصابة بجروح عند الضغط على مفتاح التشغيل والإطفاء بشكل غير مقصود.

مجموعة التجهيزات الموردة

تُراعى صورة مجموعة التجهيزات الموردة في بداية دليل التشغيل.



تأكد قبل تشغيل العدة الكهربائية للمرة الأولى، إنه قد تم توريد جميع الأجزاء المذكورة أدناه:

- منشار الألواح مع شفرة منشار مركبة (44)
- مقبض التثبيت (12)
- مفتاح سداسي الرأس المجوف (17)
- مفتاح سداسي الرأس المجوف (18)
- الملزمة (19)
- مسمار SDS (23)
- كيس الغبار

ملاحظة افحص العدة الكهربائية من حيث وجود أي أضرار محتملة.

يجب فحص تجهيزات الوقاية أو الأجزاء التي تعرضت لضرر طفيف فحصاً دقيقاً، للتأكد من أدائها لوظيفتها بشكل سليم وفقاً للتعليمات. تأكد من أن الأجزاء المتحركة تعمل بشكل سليم وأنها غير منقطة، أو إن كانت هناك أية أجزاء تالفة. يجب أن تكون جميع الأجزاء مركبة بشكل صحيح وأن تلبى جميع الشروط من أجل ضمان العمل بشكل سليم.

يجب أن يتم تصليح أو استبدال تجهيزات الوقاية والقطع التالفة بالشكل المطلوب من خلال ورشة خدمة متخصصة.

العدد الكهربائية المطلوبة إضافة عن العدد المرفقة بمجموعة التجهيزات الموردة:

- مفك براغي متصالبة المز
- مفتاح هلال (مقاس: 8 مم)
- مفاتيح ربط حلقة أو هلالية أو صندوقية (مقاسات: 10 مم و 17 مم)

تفعيل الموديول Low Bluetooth® GCY 42Energy Module

للمعلومات حول الموديول

Low Energy Module Bluetooth® GCY 42

اقرأ دليل الاستعمال المعني.

تفعيل البطارية القرصية

- اخلع غطاء الموديول Low Energy® Bluetooth® GCY 42 (31).
- قم بترك العازل بين البطارية القرصية والموديول Low Energy Module GCY 42 Bluetooth®.
- قم بغلق الغطاء (31) بحيث لا تدخل أي اتسافات.

◀ اخلع غطاء الموديول Low Energy Bluetooth® Module GCY 42 من العدة الكهربائية، على

البيانات الفنية

منشار ألواح		GCM 18V-305 GDC
رقم الصنف		3 601 M43 0..
الجهد الاسمي	فلط=	18
عدد اللفات اللاحملي ^(A)	دقيقة ¹	3000-4000
عدد اللفات اللاحملي في الوضع الاقتصادي ECO ^(A)	دقيقة ¹	2550
طراز الليزر	nm	650
	ملي واط	1 >
فئة الليزر		1M
تفاوت خط الليزر	ملي راد (زاوية كاملة)	1,0
الوزن حسب EPTA- ^(B) Procedure 01:2014	كجم	26,9-27,8
درجة الحرارة المحيطة الموصى بها عند الشحن	°م	0 ... +35
درجة الحرارة المحيطة المسموح به عند التشغيل ^(C) وعند التخزين	°م	-20 ... +50
المركم الموصى بها		GBA 18V... ProCORE18V...
أجهزة الشحن الموصى بها		GAL 18... GAX 18... GAL 36...
نقل البيانات		
Bluetooth®		4.2 *Bluetooth ^(D) (Low Energy)
مسافة الإشارة	ثانية	8
أقصى مدى للإشارة ^(E)	متر	30
مقاسات شفرات المنشار الملائمة		
قطر شفرة المنشار	مم	305
سمك الشفرة	مم	1,7-2,6
أقصى عرض للقطع	مم	3,2
قطر الفجوة	مم	30

(A) مقاسة عند درجة حرارة 20-25 °م مع مركم ProCORE18V 8.0Ah

(B) حسب المركم المستخدم

(C) قدرة محدودة في درجات الحرارة > 0 °م

(D) يجب أن يكون الجهاز متوافق مع الأجهزة Bluetooth® منخفضة الطاقة Low-Energy (الإصدار 4.2) ويدعم وضع الوصول العام (GAP).

(E) قد يختلف مدى الإرسال بدرجة كبيرة تبعاً للظروف الخارجية، بما في ذلك جهاز الاستقبال المستخدم. داخل الأماكن المغلقة ومن خلال الحوائط المعدنية (على سبيل المثال الجدران والأرفف والحوائط وما شابه) قد ينخفض مدى إرسال Bluetooth® بشكل كبير.

مقاسات قطعة الشغل المسموح بها (الحد الأقصى/الحد الأدنى): (انظر مقاسات قطعة الشغل المسموح بها، الصفحة 202)

مصاييح الدايدود	السعة
ضوء مستمر 1× أخضر	5-30 %
الإضاءة الوماضة 1× أخضر	0-5 %

نوع المركم ProCORE18V...



مصاييح الدايدود	السعة
ضوء مستمر 5× أخضر	80-100 %
ضوء مستمر 4× أخضر	60-80 %
ضوء مستمر 3× أخضر	40-60 %
ضوء مستمر 2× أخضر	20-40 %
ضوء مستمر 1× أخضر	5-20 %
الإضاءة الوماضة 1× أخضر	0-5 %

تركيب الأجزاء المفردة

- انزع جميع الأجزاء المرفقة عن التغليف بحرص.
- انزع كل مواد التغليف عن العدة الكهربائية وعن التواب المرفقة.

تركيب مقبض التثبيت (انظر الصورة a)

- اربط المقبض الدوار (12) في الثقب المخصص أعلى الذراع (13).

- ◀ شد مقبض التثبيت (12) بإحكام قبل النشر دائما. وإلا فقد تستعصي شفرة المنشار في قطعة الشغل.

التركيب المركزي الثابت أو المتحرك

- ◀ يجب أن يتم تركيب العدة الكهربائية على سطح عمل مستو وثابت (منضدة عمل مثلا) قبل البدء بالعمل لضمان الاستعمال الآمن.

التركيب على سطح عمل (انظر الصورة b1)

- قم بتثبيت العدة الكهربائية على سطح العمل بواسطة لوالب ربط مناسبة. يتم ذلك عن طريق الثقوب (9).

- أو
- قم بتثبيت أقدام العدة الكهربائية على سطح العمل بإحكام عن طريق قمتها بالملازم المتداول.

التركيب على منضدة بوش للعمل

(انظر الصورة b2)

GTA 2600, GTA 2500 Compact, GTA 3800

تتبع طاولات عمل GTA من شركة بوش وضعية ثابتة للعدة الكهربائية على كافة أنواع الأرضيات وذلك من خلال الأقدام القابلة لضبط الارتفاع. إن مساند قطعة الشغل بطاولات العمل تساعد على إسناد قطع الشغل الطويلة.

اقرأ جميع ملاحظات التحذير والتعليمات

المرفقة بمنضدة العمل. إن التقصير بالمحافظة على الملاحظات التحذيرية والتعليمات قد تكون

سبيل المثال، باستخدام مفك أو عملة معدنية كبيرة. قد تتعرض الأجزاء الإلكترونية أو الغطاء لأضرار من جراء استخدام العدد غير المناسبة.

شحن المركم

◀ اقتصر على استخدام أجهزة الشحن المذكورة في المواصفات الفنية. أجهزة الشحن هذه دون غيرها هي المتوائمة مع مركم أيونات الليثيوم المستخدم في عدتك الكهربائية.

ملحوظة: يتم تسليم المركم وهو بحالة شحن جزئي. لضمان قدرة أداء المركم الكاملة، يتوجب شحن المركم في تجهيزة الشحن بشكل كامل قبل الاستعمال لأول مرة.

يمكن أن يتم شحن مركم أيونات الليثيوم في أي وقت، دون أن يقلل ذلك من فترة صلاحيته. لا يتسبب قطع عملية الشحن في الإضرار بالمركم.

لقد تمّ وقاية مركم أيونات الليثيوم من التفريغ الشديد بواسطة وافية الخلايا الإلكترونية، "Electronic Cell Protection (ECP)". يتّ إطفاء العدة الكهربائية بواسطة قارئة وقائية عندما يفرغ المركم: لن تتحرك عدة الشغل عندئذ.

◀ لا تتابع الضغط على مفتاح التشغيل والإطفاء بعد انطفاء العدة الكهربائية بشكل آلي. فقد يتلف المركم.

تراجعى الملاحظات بصدد التخلص من العدد.

نزع المركم

يمتاز المركم (32) بدرجتي إقفال اثنتين، تمنعان سقوط المركم للخارج في حال ضغط زر فك إقفال المركم (33) بشكل غير مقصود. يتم تثبيت المركم بواسطة نابض مادام مركبا في العدة الكهربائية. لخلع المركم اضغط على زر فك الإقفال واجذب المركم من العدة الكهربائية من الجانب. لا تستخدم القوة أثناء ذلك.

مبين حالة شحن المركم

تشير مصاييح الدايدود الخضراء الخاصة بمبين حالة شحن المركم لحالة شحن المركم. لأسباب تتعلق بالسلامة فإنه لا يمكن الاستعمال عن حالة الشحن إلا والعدة الكهربائية متوقفة.

اضغط على زر مبين حالة الشحن (3) أو (4) لعرض حالة الشحن. يمكن هذا أيضا والمركم مفرغ.

إذا لم يضيئ أي مصباح دايدود بعد الضغط على زر مبين حالة الشحن، فهذا يعني أن المركم تالف ويجب تغييره.

إرشاد: تتم الإشارة إلى حالة شحن المركم في واجهة المستخدم (3).

نوع المركم GBA 18V...



مصاييح الدايدود	السعة
ضوء مستمر 3× أخضر	60-100 %
ضوء مستمر 2× أخضر	30-60 %

استبدال شفرة المنشار

- ◀ **انزع المرمك عن العدة الكهربائية قبل إجراء أي أعمال بالعدة الكهربائية (مثلاً: الصيانة، استبدال العدد وإلخ..)** وأيضا عند نقلها أو تخزينها. هناك خطر إصابة بجروح عند الضغط على مفتاح التشغيل والإطفاء بشكل غير مقصود.
- ◀ **ارتد قفازات واقية عند تركيب نصل المنشار.** تؤدي ملامسة شفرة المنشار إلى خطر التعرض للإصابة.

استخدم فقط نصال المنشار التي تزيد سرعتها القصوى المسموحة عن عدد الدوران الاحملي بالعدة الكهربائية.

اقتصر على استخدام شفرات المنشار التي توافقت البيانات المذكورة في دليل الاستعمال هذا، والمختبرة وفقا للمواصفة EN 847-1، والتي تم تمييزها وفقا لذلك.

استعمل فقط أنصال المنشار التي ينصح باستعمالها منتج هذه العدة الكهربائية والتي تصلح للاستعمال مع مواد الشغل المرغوب معالجتها. يعمل هذا على منع تعرض أسنان المنشار إلى الحرارة المفرطة أثناء الشغل.

التركيب باستخدام اللولب سداسي الرأس المجوف (انظر الصور c1-c4)

- ◀ **فك شفرة المنشار**
- اضبط العدة الكهربائية بوضعية الشغل.
- حرك غطاء الوقاية المتأرجح (5) إلى الخلف، وحافظ على إبقاء غطاء الوقاية المتأرجح في هذا الوضع.
- اربط اللولب سداسي الرأس المجوف (54) بواسطة المفتاح سداسي الرأس المجوف (4 مم) (17) واضغط بنفس الوقت على قفل محور الدوران (53) إلى أن يتعشق.
- احتفظ بقفل محور الدوران (53) مضغوطة وقم بفك اللولب سداسي الرأس المجوف (54) بإدارته في اتجاه حركة عقارب الساعة (أسنان اللولبة يسرى).
- اخلع فلانشة الشد (55).
- وأخرج شفرة المنشار (44).
- حرك غطاء الوقاية المترجع نمو الأسفل ببطء.
- ◀ **تركيب شفرة المنشار**
- ◀ **يراعى أثناء التركيب أن يتوافق اتجاه قص الأسنان (اتجاه السهم على نصل المنشار) مع اتجاه السهم على غطاء الوقاية!**
- نظف جميع الأجزاء المطلوب تركيبها قبل التركيب عند الضرورة.
- حرك غطاء الوقاية المتأرجح (5) إلى الخلف، وحافظ على إبقاء غطاء الوقاية المتأرجح في هذا الوضع.
- قم بتركيب شفرة المنشار الجديدة على فلانشة الشد الداخلية (56).
- قم بتركيب فلانشة الشد (55) واللولب سداسي الرأس المجوف (54). اضغط على قفل محور الدوران (53) إلى أن يثبت، وقم بربط اللولب سداسي الرأس المجوف بإدارته عكس اتجاه عقارب الساعة.
- وجه غطاء الوقاية المترجع نمو الأسفل يتمهل.

من عواقبه الصدمات الكهربائية، اندلاع المريق و/أو الإصابة بجروح خطيرة.

- ◀ **انصب منضدة العمل بالشكل الصحيح قبل تركيب العدة الكهربائية.** إن التركيب بشكل سليم هام جدا من أجل تجنب خطر الانهدام.
- ركب العدة الكهربائية بوضع النقل على طاولة العمل.

شفط الغبار/النشارة

- إن غبار بعض المواد كالطلاء الذي يحتوي على الرصاص، وبعض أنواع الخشب والفلزات والمعادن، قد تكون مضرّة بالصحة. إن ملامسة أو استنشاق غبار قد يؤدي إلى أعراض حساسية و/أو إلى أمراض الجهاز التنفسي لدى المستخدم أو لدى الأشخاص المتواجدين على مقربة من المكان.
- تعتبر بعض الأغبرة المعينة، كأغبرة البلوط والزان، مسببة للسرطان، ولا سيما عند الارتباط بالمواد الإضافية لمعالجة الخشب (ملع حامض الكروميك، المواد الحافظة للخشيب). يجوز أن يتم معالجة المواد التي تحتوي على الأسبستوس من قبل العمال المتخصصين فقط دون غيرهم.
- استخدم شافطة غبار ملثمة للمادة قدر الإمكان.
- حافظ على تهوية مكان الشغل بشكل جيد.
- ينصح بارتداء قناع وقاية للتنفس بفئة المرشح P2. تراعى الأحكام السارية في بلدكم بالنسبة للمواد المرغوب معالجتها.

◀ تجنب تراكم الغبار بمكان العمل. يجوز أن تستعمل الأغبرة بسهولة.

- قد تستعصي شافطة الغبار/النشارة من خلال الغبار أو النشارة أو أجزاء صغيرة من قطعة الشغل.
- أطفئ العدة الكهربائية وأخرج المرمك.
- انتظر إلى أن تتوقف شفرة المنشار عن الحركة تماما.
- ابحث عن سبب الاستعصاء واعمل على إزالته.

الشفط الخارجي

- للشفط، يمكن أيضا تركيب خرطوم شافطة على مهائى الشفط (26) (بقطر 35 مم).
- اربط خرطوم الشافطة في مهائى الشفط (26).
- يجب أن تصلح شافطة الغبار الخوائية للاستعمال مع مادة الشغل المرغوب معالجتها.
- استخدم شافطة غبار خوائية خاصة عند شفط الأغبرة المضرّة بالصحة أو المسببة للسرطان أو الشديدة الجفاف.

تنظيف مهائى الشفط

- ينبغي تنظيف مهائى الشفط (26) بشكل منتظم لتأمين عملية شفط مثالية.
- اسحب مهائى الشفط (26) من مقذف النشارة (24) أثناء دورانه.
- أزل شظايا ونشارة قطعة الشغل.
- اكبس وصلة الشفط المهيأة أثناء تدويرها على مقذف النشارة إلى أن تتعاشق فوق حلقة القبض بمقذف النشارة.

- حرك ذراع الإزلاق إلى أسفل حتى يصبح من الممكن ضغط قفل النقل (35) إلى الداخل تماما. المزيد من الإرشادات: (انظر „النقل (انظر الصورة Z)“، الصفحة 205)

تثبيت ذراع الإزلاق

يمكن تثبيت آلية إزلاق ذراع الإزلاق (34) بواسطة ذراع الزنق (25). ويسمح ذلك بتركيز ذراع الإزلاق في وضعين:

- دفع ذراع الإزلاق نحو الخلف بشكل كامل (لقص القطع)
- سحب ذراع الإزلاق نحو الأمام بشكل كامل (لوضعية النقل المرموصة)

فك إقفال ذراع الإزلاق (انظر الصورة B1)

تمسي آلية الإزلاق بكاملها جاهزة (34) للاستخدام بعد فك إقفال ذراع الإزلاق.

- اضغط ذراع الزنق (25) نحو الأسفل إلى حد المصادمة.

- يحزر إزميل الزنق بذراع الزنق القطعتين المفصليتين السفليتين بذراع الإزلاق.

تأمين ذراع الإزلاق (انظر الصورة B2)

دفع ذراع الإزلاق نحو الخلف بشكل كامل:

- ادفع ذراع الزنق (34) نحو الخلف إلى حد المصادمة.
- تقف القطعتان المفصليتان العلويتان بذراع الإزلاق الآن بشكل عمودي ومغلق.
- اسحب ذراع الزنق (25) نحو الأعلى إلى أن يرتكز إزميل الزنق بين القطعتين المفصليتين السفليتين بذراع الإزلاق.
- يكون قد تم تثبيت ذراع الإزلاق (34) المدفوع نحو الخلف تماما بذلك.
- سحب ذراع الإزلاق نحو الأمام بشكل كامل:
- اسحب ذراع الإزلاق (34) نحو الأمام إلى حد المصادمة.
- لقد تم الآن سحب آلية الإزلاق للخارج بشكل كامل.
- اسحب ذراع الزنق (25) نحو الأعلى إلى أن يرتكز إزميل الزنق بين القطعتين المفصليتين السفليتين بذراع الإزلاق.
- يكون قد تم تثبيت ذراع الإزلاق (34) المسحوب نحو الأمام تماما بذلك.

التمهيد للعمل

تمديد قاعدة المنشار (انظر الصورة C)

يجب أن ترتكز أو تستند قطع الشغل الطويلة بنهايتها السائبة على شيء ما.

يمكن تكبير منضدة العمل عبر امتدادات قاعدة المنشار (8) نحو اليسار أو اليمين.

- قم بطي ذراع الزنق (57) إلى الداخل.
- قم بسحب امتداد قاعدة المنشار (8) إلى الخارج لحين الوصول للطول المرغوب (بعد أقصى 250 مم).

- تثبيت امتداد قاعدة المنشار، اضغط ذراع الزنق (57) مرة أخرى إلى الخارج.

تمريك سكة المصادمة (انظر الصور E-D)

التركيب باستخدام مسمار SDS (انظر الصورة d)

- ◀ مع قطوع الشطب المائلة الرأسية وعند استخدام مسمار SDS (23) يجب التأكد قبل النشر من خلال وضع ضبط مناسب لمحدد العمق (28) من عدم ملازمة مسمار SDS لسطح قطعة العمل في أي وقت. يمنع هذا تعرض مسمار SDS و/أو قطعة الشغل لأضرار.

فك شفرة المنشار

- اضبط العدة الكهربائية بوضعية الشغل.
- حرك غطاء الوقاية المتأرجح (5) إلى الخلف، وحافظ على إبقاء غطاء الوقاية المتأرجح في هذا الوضع.
- أدر خابور SDS (23SDS) واضغط في نفس الوقت على قفل محور الدوران (53) إلى أن يثبت.
- احتفظ بقفل محور الدوران (53) مضغوطة وقم بفك مسمار SDS (23) بإدارته في اتجاه حركة عقارب الساعة (أسنان اللولبية يسرى!).
- اخلع فلانشة الشد (55).
- وأخرج شفرة المنشار (44).
- وجه غطاء الوقاية المترجح نحو الأسفل بتمهل.

تركيب شفرة المنشار

- ◀ يراعى أثناء التركيب أن يتوافق اتجاه قص الأسنان (اتجاه السهم على نصل المنشار) مع اتجاه السهم على غطاء الوقاية!
- نظف جميع الأجزاء المطلوب تركيبها قبل التركيب عند الضرورة.

- حرك غطاء الوقاية المتأرجح (5) إلى الخلف، وحافظ على إبقاء غطاء الوقاية المتأرجح في هذا الوضع.
- قم بتركيب شفرة المنشار الجديدة على فلانشة الشد الداخلية (56).
- قم بتركيب فلانشة الشد (55) ومسمار SDS (23).
- اضغط على قفل محور الدوران (53) إلى أن يثبت، وأحكام تثبيت المسمار SDS بإدارته عكس اتجاه حركة عقارب الساعة.
- وجه غطاء الوقاية المترجح نحو الأسفل بتمهل.

التشغيل

- ◀ انزع المرمك عن العدة الكهربائية قبل إجراء أي أعمال بالعدة الكهربائية (مثلاً: الصيانة، استبدال العدد وإلخ..) وأيضاً عند نقلها أو تخزينها. هناك خطر إصابة بجروح عند الضغط على مفتاح التشغيل والإطفاء بشكل غير مقصود.

قفل النقل (انظر الصورة A)

يتيح لك قفل النقل (35) التعامل مع العدة الكهربائية بشكل أسهل عند نقلها إلى أماكن مختلفة.

فك تأمين العدة الكهربائية (وضع العمل)

- اضغط ذراع الإزلاق (34) من المقبض (1) إلى أسفل بعض الشيء لتخفيف التمهيد من على قفل النقل (35).
- اسحب قفل النقل (35) إلى الخارج تماما.
- وجه ذراع الإزلاق (34) نحو الأعلى ببطء.

تأمين العدة الكهربائية (وضع النقل)

- ادفع ذراع الزنق (34) نحو الخلف بشكل كامل وثبته في هذا الموضع.

عند نشر زوايا الشطب المائل الأفقية و/أو الرأسية يجب عليك تبعا لاتجاه القطع سحب سكة المصادمة اليسرى أو اليمنى القابلة للضبط (6) إلى الخارج أو خلعها تماما.

زاوية شطب عمودية	زاوية شطب مائل أفقية	
47°-0° (يسارا)	$44^\circ \geq$ (يمينا/يسارا)	- قم بفك لولب التثبيت (58). - اسحب سكة المصادمة اليسرى القابلة للضبط (6) إلى الخارج تماما.
47°-0° (يسارا)	$45^\circ \leq$ (يمينا/يسارا)	- قم بفك لولب التثبيت (58). - اسحب سكة المصادمة اليسرى القابلة للضبط (6) إلى الخارج تماما. - فك سكة المصادمة القابلة للضبط برفعها نحو الأعلى. - قم بخلع لولب التثبيت (58).
47°-0° (يمينا)	$44^\circ \geq$ (يمينا/يسارا)	- قم بفك لولب التثبيت (58). - اسحب سكة المصادمة اليمنى القابلة للضبط (6) إلى الخارج تماما.
47°-0° (يمينا)	$45^\circ \leq$ (يمينا/يسارا)	- قم بفك لولب التثبيت (58). - فك سكة المصادمة القابلة للضبط برفعها نحو الأعلى.

- قم بفك مقبض التثبيت (12)، في حالة ربطه.
- اسحب الذراع (13) وأدر قاعدة المنشار (42) حتى حز التوقيف المرغوب نحو اليمين أو اليسار.
- اطلق الذراع. ينبغي أن تتعاشق الذراع بحز التوقيف بشكل محسوس.
- قم بشد مقبض التثبيت (12) مرة أخرى.

ضبط زوايا الشطب الأفقية المرغوبة (انظر الصورة A)

- يمكن ضبط زاوية الشطب الأفقية في نطاق يبلغ 52° (ناحية اليسار) حتى 60° (ناحية اليمين).
- قم بفك مقبض التثبيت (12)، في حالة ربطه.
- اسحب الذراع (13) واضغط في نفس الوقت على مشبك التثبيت (11)، إلى أن يثبت في الحز المخصص لذلك. وبذلك تصعب قاعدة المنشار حرة الحركة.
- أدر قاعدة المنشار (42) بواسطة مقبض التثبيت نحو اليسار أو اليمين إلى أن يشير مؤشر الزاوية (64) إلى زاوية الشطب الأفقية المرغوبة.
- قم بشد مقبض التثبيت (12) مرة أخرى.
- لإعادة فك الذراع (13) اسحبه نحو الأعلى (من أجل ضبط زوايا الشطب الأفقية القياسية).
- يعود مشبك التثبيت (11) إلى موضعه الأصلي، ويعود للمقبض (13) ليتعاشق بحزوز التوقيف (15).

ضبط زوايا الشطب العمودية

- يمكن ضبط زاوية الشطب العمودية في نطاق يبلغ 47° (ناحية اليسار) حتى 47° (ناحية اليمين).
- للضبط السريع والدقيق لزوايا الشطب العمودية المستخدمة غالبا، تم تحديد مصادمات للزوايا 0°، 22,5° و 45° و 47°.

ضبط مجال زاوية الشطب اليسرى (45° حتى 0°)

- اسحب سكة المصادمة اليسرى القابلة للضبط (6) إلى الخارج تماما.
- قم بفك مقبض الشد (14).

ضبط مخمد ذراع الإزلاق (انظر الصورة F)
يكون قد تم ضبط آلية إزلاق ذراع الإزلاق (34) بشكل مسبق من طرف المنتج وتكون دون تخميد عند تسليم العدة الكهربائية.
يمكنك أن تضبط تخميد آلية الإزلاق حسب رغبتك بواسطة المخمد (59):
قاسية - حركة عمل يسهل التحكم بها،
لينة - النشر السريع.

- حل لولبي الضبط (60) بواسطة المفتاح سداسي الرأس (4 مم) (17) لتخميد أكثر ليونة
- g/f
- شد لولبي التعديل (60) أكثر من أجل تخميد أقسى.

تثبيت قطعة الشغل (انظر الصورة G)

- يجب أن يتم تثبيت قطعة الشغل بإحكام دائما من أجل ضمان أمان مثالي أثناء الشغل.
- لا تعالج قطع الشغل الصغيرة لدرجة لا تسمح بقمطها.
- اضغط قطعة الشغل نحو سلك المصادمة (7) و (6).
- قم بتبريك الملزمة الموردة (19) في أحد الثقوب المخصصة لذلك (61).
- قم بفك اللولب المجنح (61) وبمواءمة الملزمة مع قطعة الشغل. أعد شد اللولب المجنح بإحكام.
- أحكم ربط القضيب الملولب (63) وبذلك تقوم بتثبيت قطعة الشغل.

حل قطعة الشغل

- لفك الملزمة أدر القضيب الملولب (63) عكس اتجاه حركة عقارب الساعة.

ضبط زوايا الشطب الأفقية

ضبط زوايا الشطب الأفقية القياسية (انظر الصورة H)

للضبط السريع والدقيق لزوايا الشطب الأفقية المستخدمة غالبا على حزوز قاعدة المنشار (15):

اليسار	اليمين
0°	0°
45°، 31,6°، 22,5°، 15°	45°، 31,6°، 22,5°، 15°، 60°

ضبط زاوية الشطب العمودية القياسية 22,5°
(انظر الصورة K)
اسحب زر الضبط (38) نحو الخارج بشكل كامل وأدره بمقدار 90°. ثم حرك ذراع الإزلاق (34) بالمقبض اليدوي (1) إلى أن تثبت ذراع الإزلاق بصوت مسموع.

ضبط زوايا الشطب المائل الأفقية والعمودية

بدء التشغيل

تركيب المركم

◀ استخدم فقط مراكم إيونات ليثيوم Bosch الأصلية بالجهد المذكور على لافتة طراز عدتك الكهربائية. قد يؤدي استخدام المراكم الأخرى إلى الإصابات وإلى خطر نشوب الحرائق.
- أدخل المركم المشحون (32) في صندوق المركم بالعدة الكهربائية إلى أن يتم تأمين قفل المركم.

التشغيل (انظر الصورة L)

- لغرض تشغيل العدة الكهربائية، حرك أولاً قفل التشغيل (2) إلى الوسط واضغط بعدها على مفتاح التشغيل والإطفاء (65) واحتفظ به مضغوطاً.
ملحوظة لا يمكن تثبيت مفتاح التشغيل والإطفاء (65) لأسباب متعلقة بالأمان، بل يجب أن يتم ضغطه طوال فترة التشغيل.

الإطفاء

- لغرض الإطفاء اترك مفتاح التشغيل/الإطفاء (65).

الوضع الاقتصادي ECO

في حالة تشغيل العدة الكهربائية في الوضع الاقتصادي ECO الموفر للطاقة يمكن إطالة زمن تشغيل المركم بنسبة 20%.
في حالة تفعيل الوضع الاقتصادي ECO يظهر في مبین مستوى عدد اللفات/الوضع (49) الرمز E. علاوة على ذلك يضيء مبین الوضع الاقتصادي (ECO47)).

واجهة المستخدم

تتلخص وظيفة واجهة المستخدم (3) في الاختيار المسبق لعدد اللفات وبيان حالة العدة الكهربائية.

ضبط عدد اللفات مسبقاً

هناك وضع اقتصادي Eco و 3 مستويات لعدد اللفات مضبوطة بشكل مسبق.

يمكنك عن طريق زر الاختيار المسبق لعدد اللفات (48) الاختيار المسبق لعدد اللفات اللازم أثناء التشغيل أيضاً.

درجة عدد اللفات	عدد اللفات [دقيقة ¹]
Eco	2550
1	3000
2	3500
3	4000

- قم بتحريك ذراع الإزلاق (34) من المقبض (1) إلى اليسار، إلى أن يشير مؤشر الزاوية (37) إلى زاوية الشطب المائل الرأسية المرغوبة.
- أمسك بذراع الإزلاق (34) بهذا الوضع وأعد شد مقبض الشد (14) بإحكام.
ينبغي أن تثبت قوة زنق مقبض القمط وضع ذراع الإزلاق بكل زاوية شطب مائل عمودية أي كانت.
ضبط مجال زاوية الشطب العمودية اليمنى (0° حتى 45° R)
(انظر الصورة J)

45° R

- اسحب سكة المصادمة اليمنى القابلة للضبط (6) إلى الخارج تماماً.
- قم بفك مقبض الشد (14).
- أدر ذراع الإزلاق (34) من المقبض (1) من وضع 0° نحو اليسار قليلاً وأدر المقبض الدوار (43)، إلى أن يظهر مجال زاوية الشطب العمودية المرغوبة.
- حرك ذراع الإزلاق (34) من المقبض (1) نحو اليمين، إلى أن يشير مؤشر الزاوية (21) إلى زاوية الشطب المائل المرغوبة.
- أمسك بذراع الإزلاق (34) بهذا الوضع وأعد شد مقبض الشد (14) بإحكام.
ينبغي أن تثبت قوة زنق مقبض القمط وضع ذراع الإزلاق بكل زاوية شطب مائل عمودية أي كانت.

ضبط زاوية الشطب العمودية القياسية 0°

لكي يمكن ضبط زاوية الشطب العمودية القياسية 0° بسهولة مرة أخرى يتعشق المقبض الدوار (43) في مجال زوايا الشطب العمودية اليسرى.
- حرك ذراع الإزلاق (34) من اليمين مروراً بوضع 0°.

ضبط مجال زاوية الشطب العمودية بالكامل (-47° حتى +47°)

47°

- اسحب سكتي المصادمة القابلتين للضبط (6) إلى الخارج تماماً.
- قم بفك مقبض الشد (14).
- أدر ذراع الإزلاق (34) من المقبض (1) من وضع 0° نحو اليسار قليلاً، وأدر المقبض الدوار (43)، إلى أن يظهر مجال زاوية الشطب العمودية المرغوبة.
- قم بتحريك ذراع الإزلاق (34) من المقبض (1) إلى اليسار أو اليمين، إلى أن يشير مؤشر الزاوية (37) أو (21) إلى زاوية الشطب العمودية المرغوبة.
- أمسك بذراع الإزلاق (34) بهذا الوضع وأعد شد مقبض الشد (14) بإحكام.
ينبغي أن تثبت قوة زنق مقبض القمط وضع ذراع الإزلاق بكل زاوية شطب مائل عمودية أي كانت.

مبيئات الحالة

الحل	المعنى/السبب	مبين حالة شحن المرمك (واجهة المستخدم) (46)
-	المرمك مشحون	أخضر (شرطتان إلى 5 شربات)
قرب تغيير أو شحن المرمك	شحنة المرمك على وشك النفاد	باللون الأصفر (شرطة واحدة)
تغيير أو شحن المرمك	المرمك فارغ	أحمر (شرطة واحدة)

الحل	المعنى/السبب	مبين درجة الحرارة (52)
قم بتشغيل العدة الكهربائية على وضع دوران اللاحمل واتركها حتى تبرد	تم الوصول إلى المستوى المرح لدرجة الحرارة (المحرك، المجموعة الإلكترونية، المرمك)	أصفر
دع العدة الكهربائية حتى تبرد	العدة الكهربائية ساخنة للغاية وتتوقف	أحمر

الحل	المعنى/السبب	مبين الهاتف الذكي (50) ومبين حالة العدة الكهربائية (51)
لمزيد من المعلومات انظر تطبيق Bosch Toolbox App أو احرص على تنفيذ إجراءات الخدمة	التذكير بالخدمة	أصفر

الحل	المعنى/السبب	مبين حالة العدة الكهربائية (51)
-	الحالة على ما يرام	أخضر
قم بتشغيل العدة الكهربائية على وضع دوران اللاحمل واتركها حتى تبرد أو قم بتبديل أو شحن المرمك	تم الوصول إلى مستوى حرج لدرجة الحرارة أو شحنة المرمك على وشك النفاد	أصفر
اترك العدة الكهربائية تبرد وقم بتغيير أو شحن المرمك	العدة الكهربائية ساخنة للغاية أو المرمك فارغ الشحنة	أحمر
قم بتشغيل العدة الكهربائية وأطفئها مرة أخرى، وعند اللزوم أخرج المرمك وأعد تركيبه.	انطلقت واقية إعادة التشغيل	يومض باللون الأحمر

إرشادات العمل

ملاحظات نشر عامة

- ◀ شد مقبض التثبيت (12) ومقبض الشد (14) بإحكام دائماً قبل النشر. وإلا فقد تستعصي شفرة المنشار في قطعة الشغل.
- ◀ شد مقبض التثبيت (12) وذراع الزنق بإحكام دائماً قبل النشر. وإلا فقد تستعصي شفرة المنشار في قطعة الشغل.
- ◀ يجب أن تضمن عند جميع أعمال النشر في البداية بأن نصل المنشار لا يمكنه أن يلامس سكة المصادمة أو الملازم أو غيرها من أجزاء الجهاز في أي وقت. فك المصادمات المعاونة إن وجدت أو وانمها بالشكل المناسب.
- ◀ العدة الكهربائية المزودة بمودول Bluetooth® Low Energy Module GCY 42 بها واجهة بينية لاسلكية. تراعى قيود التشغيل المحلية، على سبيل المثال في الطائرات أو المستشفيات.
- ◀ في النطاقات التي لا يجوز فيها استخدام تقنية Bluetooth® اللاسلكية يجب خلغ المودول

وظائف الربط

بالارتباط مع المودول Low Energy Bluetooth® Module GCY 42 تتوافر وظائف الربط التالية للعدة الكهربائية:

- التسجيل والمواءمة مع المتطلبات الشخصية
- اختبار الحالة، إصدار بلاغات التحذير
- المعلومات العامة والإعدادات
- الإدارة
- وضع ضبط مستويات عدد اللفات للمعلومات حول المودول

Low Energy Module Bluetooth® GCY 42

اقرأ دليل الاستعمال المعني.

يضيء مبين الهاتف الذكي (50) في حالة إرسال العدة الكهربائية لمعلومة (على سبيل المثال تحذير درجة الحرارة) بواسطة تقنية Bluetooth® اللاسلكية إلى جهاز جوال.

مقاسات قطعة الشغل المسموح بها

زاوية الشطب الأفقية	زاوية الشطب العمودية	الارتفاع x العرض (مم)
0°	0°	341 x 104 A) 400 x 45 B) 200 120 x 40 180 x
45° (يسارًا)	0°	240 x 104 20 x 180
0°	45° (يسارًا)	341 x 60
0°	45° (يمينًا)	341 x 40
45°	45° (يسارًا)	240 x 60
45°	45° (يمينًا)	240 x 40

(A) مع المصادم المبعاد الأفقي (الارتفاع x العرض): 60 مم (400 x مم)

(B) مع المصادم المبعاد الرأسي (الارتفاع x العرض): 72 مم (50 x مم)

الحد الأدنى لمقاسات قطع الشغل (= جميع قطع الشغل التي يمكن تثبيتها بإحكام مع الملزمة الموردة (19) إلى يسار أو يمين شفرة المنشار): 160 مم x 35 مم (الطول x العرض)

الحد الأقصى لمعمق القطع (0°/0°): 120 مم

النشر

النشر بلا حركة سحب (القطع) (انظر الصورة P)

- حرك ذراع الزنق (34) نحو الخلف بشكل كامل وثبته في هذا الموضع.
 - تأكد أن محدد العمق (28) قد تم ضغطه إلى الداخل تماما وأن لولب الضبط (27) يمر عبر الفجوة عند تحريك ذراع الإزلاق دون أن يلامس محدد العمق.
 - قم بقمط قطعة الشغل حسب أبعادها بإحكام.
 - عند الحاجة اضبط زاوية الشطب (الأفقية و/أو العمودية) المرغوبة.
 - قم بتشغيل العدة الكهربائية.
 - وجه ذراع الإزلاق (34) باستخدام المقبض (1) إلى الأسفل ببطء.
 - انشر قطعة الشغل بشكل كامل بدفع أمامي منتظم.
 - أطفئ العدة الكهربائية، وانتظر إلى أن تتوقف شفرة المنشار عن الحركة تماما.
 - وجه ذراع الإزلاق (34) نحو الأعلى ببطء.
- النشر مع حركة سحب (انظر الصورة Q)**
- ◀ **اقبض على المقبض اليدوي بإحكام شديد قبل التشغيل وأثناء كامل عملية النشر. نفذ عملية النشر من خلال التكمم بحركة ذراع الإزلاق.** إن لحظة عدم انتباه واحدة قد تؤدي إلى إصابات خطيرة بسبب ذراع الإزلاق اليسير الحركة.
 - فك تأمين ذراع الإزلاق (34).
 - تأكد ما إن كانت آلية الإزلاق بالكامل جاهزة (34) للاستخدام من خلال سحب ذراع الإزلاق وإعادة دفعه.
 - قم بقمط قطعة الشغل حسب أبعادها بإحكام.

و Low Energy Module GCY 42® Bluetooth البطارية القرسية.

يجب أن تسند قطع الشغل الطويلة والثقيلة من طرف نهايتها السائبة أو أن تضع شيئًا ما تحتها. لا تعالج قطع الشغل المتوتية. يجب أن تتوفر بقطعة الشغل دائمًا حافة مستقيمة لركنها على سكة المصادمة.

احرص على نشر الخامات المسموح بها والواردة في الاستعمال المخصص.

احم نصل المنشار من الصدمات والطرقات. لا تعرض نصل المنشار لضغط جانبي.

تأكد أن غطاء الوقاية المتأرجح يعمل بشكل سليم كما يمكنه الحركة بحرية. أثناء توجيه ذراع العدة إلى أسفل يجب أن يفتح غطاء الوقاية المتأرجح. أثناء توجيه ذراع العدة إلى أعلى يجب أن ينغلق غطاء الوقاية المتأرجح فوق شفرة المنشار مرة أخرى، ويجب أن يثبت على أعلى وضع لذراع العدة.

تمييز خط القطع (انظر الصورة M)

يشير شعاعا ليزر اثنين إلى خط قص شفرة المنشار. يسمح لك ذلك بتركيز قطعة الشغل بدقة من أجل نشرها دون أن تفتح غطاء الوقاية المتأرجح.

- للقيام بهذا قم بتشغيل أشعة الليزر من خلال النقر على مفتاح التشغيل والإطفاء (65) لوهلة قصيرة دون الضغط على مانع التشغيل (2).

- قم بتسوية العلامة التي علمتها على قطعة الشغل بين خطي الليزر.

ملاحظة: تأكد قبل النشر من أن خط القطع ما زال يعرض بالشكل الصحيح (انظر "ضبط الليزر"، الصفحة 203). قد يزاح شعاعا الليزر مثلا من خلال الاهتزازات بسبب الاستخدام الشديد.

موقع المستخدم (انظر الصورة N)

◀ **لا تقف أمام العدة الكهربائية على نفس خط شفرة المنشار، بل قف دائما على جانب شفرة المنشار.** يتم وقاية جسمك بذلك من الصدمات الارتدادية المحتملة.

- أبعد اليدين والأصابع والذراعين عن نصل المنشار الدوار.

- لا تصالب يدك أمام ذراع العدة.

استبدال صفائح التلقيم (انظر الصورة O)

قد تستهلك صفائح التلقيم (10) بعد استخدام العدة الكهربائية لفترة طويلة.

استبدل صفائح التلقيم التالية.

- اضبط العدة الكهربائية بوضعية الشغل.

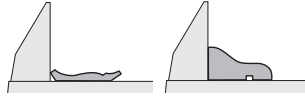
- فك اللوالب (66) بواسطة المفتاح سداسي الرأس المجوف (18) وانزع صفائح التلقيم القديمة.

- لفم صفيحة التلقيم اليمنى الجديدة.

- اربط صفيحة التلقيم إلى أقصى اليمين قدر المستطاع باستخدام اللوالب (66) بحيث لا تتلامس شفرة المنشار مع صفيحة التلقيم على كامل طول حركة السحب الممكنة.

- كرر خطوات العمل نفسها مع صفيحة التلقيم اليسرى الجديدة.

وضعية قطعة عارضة أرضية عارضة سقفية الشغل



- مسطحة على
منضدة النشر

كما يمكنك أن تقوم بالقص مع أو بلا حركة السحب حسب عرض الأضلاع المجسمة.

تجرب زاوية الشطب المائل (الأفقية و/أو الرأسية) التي تم ضبطها دائما على قطعة خشب من النفايات أولاً.

فحص الضبط الأساسي وضبطه

ينبغي أن يتم فحص الضبط الأساسي بالعدة الكهربائية بعد الاستعمال المكثف وإعادة ضبطها عند الضرورة للمحافظة على دقة القص. إنك بحاجة إلى الخبرة وللعهد الخاصة الموافقة لتنفيذ ذلك. ينفذ مركز خدمة عملاء بوش هذا العمل بشكل سريع وموثوق به.

ضبط الليزر

ملحوظة: ينبغي أن يتم وصل العدة الكهربائية بالإمداد بالتيار الكهربائي لتجربة وظيفة الليزر.

◀ لا تدير مفتاح التشغيل والإطفاء أبدا أثناء ضبط الليزر (عند تحريك ذراع العدة مثلا). قد يؤدي تشغيل العدة الكهربائية بشكل غير مقصود إلى إصابات خطيرة.

- اضبط العدة الكهربائية بوضعية الشغل.
- أدر قاعدة المنشار (42) حتى حز التوقيف (15) للزاوية 0°. ينبغي أن تتعاشق الذراع (13) بحز التوقيف بشكل محسوس.

الفحص (انظر الصورة T1)

- ارسم خط قطع مستقيم على قطعة الشغل.
- وجه ذراع الإزلاق (34) باستخدام المقبض (1) إلى الأسفل ببطء.

- ركز قطعة الشغل بحيث تتوافق أسنان شفرة المنشار مع مسار خط القطع.

- امسك قطعة الشغل بهذا الوضع بإحكام ووجه ذراع الإزلاق إلى الأعلى ببطء.

- شد قطعة الشغل بإحكام.

- قم بتشغيل أشعة الليزر باستخدام المفتاح.

ينبغي أن يكون شعاع الليزر على نفس البعد عن خط القص المرسوم على قطعة الشغل على كامل الطول يسارا ويمينا، حتى عندما يتم توجيه ذراع الإزلاق نحو الأسفل.

الضبط (انظر الصورة T2)

1. ضبط شعاع الليزر الأيمن:

- أدر لولب الضبط الأيمن (68) بواسطة مفتاح سداسي الرأس المجوف (18) إلى أن يتحاذى شعاع الليزر الأيمن على كامل الطول مع خط القطع المرسوم على قطعة الشغل.
يتحرك شعاع الليزر الأيسر أثناء ذلك أيضا.

إن دورة واحدة بعكس اتجاه حركة عقارب الساعة تمرك شعاع الليزر من اليسار نحو اليمين، أما دورة

- عند الحاجة اضبط زاوية الشطب (الأفقية و/أو العمودية) المرغوبة.

- اسحب ذراع الإزلاق (34) باستخدام المقبض (1) من سكة المصادمة قدر الإمكان (7) حتى ترتكز شفرة المنشار أمام قطعة الشغل.

- قم بتشغيل العدة الكهربائية.

- حرك ذراع الإغلاق (34) باستخدام المقبض (1) إلى الأسفل ببطء.

- اضغط ذراع الإزلاق (34) في اتجاه سكة المصادمة (7) وانشر قطعة الشغل بدفع أمامي منتظم.

- أطفئ العدة الكهربائية، وانتظر إلى أن تتوقف شفرة المنشار عن الحركة تماما.

- وجه ذراع الإزلاق (34) نحو الأعلى ببطء.

نشر قطع الشغل المتساوية الطول (انظر الصورة R)

لسهولة نشر قطع العمل الطويلة بشكل متساو، يمكنك استخدام المصادم الطولي (40) (التوايج).

يمكنك تركيب المصادم الطولي على جانبي امتداد قاعدة المنشار (8).

- قم بفك لولب التثبيت (39) وفتح المصادم الطولي (40) الموجود على لولب الزنق (67).

- أحكم ربط لولب التثبيت (39) مرة أخرى.

- قم بضبط امتداد قاعدة المنشار (8) حسب الطول المرغوب.

ضبط محدد العمق (نشر الحز) (انظر الصفحة S)

يجب أن يتم تعديل محدد العمق، إذا أردت أن تنشر حزا أو إذا أردت أن تستخدم المصادم المباع.

- حرك محدد العمق (28) إلى الخارج.

- قم بتحريك ذراع الإزلاق (34) من المقبض (1) إلى الوضع المرغوب.

- أدر لولب الضبط (27) إلى أن يلامس نهاية لولب محدد العمق (28).

- وجه ذراع الإزلاق (34) نحو الأعلى ببطء.

قطع الشغل الخاصة

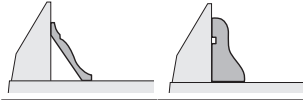
يجب أن يتم تأمين قطع الشغل المنحنية أو المدورة ضد الانزلاق بشكل خاص عند النشر. لا يجوز أن يتشكل أي شق عند خط القص بين قطعة الشغل وسكة المصادمة ومنضدة النشر.

يجب أن يتم تصنيع حوامل خاصة عند الضرورة.

معالجة الأضلاع المجسمة

يمكنك أن تعالج الأضلاع المجسمة بطريقتين مختلفتين:

وضعية قطعة عارضة أرضية عارضة سقفية الشغل



- بسندها نحو
سكة
المصادمة

يجب أن يتراصف ساق مقياس الزاوية بكامل طوله مع شفرة المنشار (44).

الضبط (انظر الصورة V2)

- قم بفك لولب الضبط (72) بواسطة مفتاح الربط الهلالي (8 مم) بإدارته نحو الداخل أو الخارج إلى أن تتساطع ساق المقياس الزاوي الضابط مع شفرة المنشار على كامل الطول.
- أعد ربط مقبض الشد (14) بإحكام.

إن لم يكن مؤشر الزاوية (37) و (21) بعد الضبط على خط مسار واحد مع علامات 45° على التدرج (36)، يجب أولاً فحص ضبط الصفر 0° لزاوية الشطب العمودية والمؤشرات الزاوية مرة أخرى. كرر بعد ذلك عملية ضبط زاوية الشطب العمودية 45°.

ضبط زاوية الشطب العمودية القياسية 45° (يميناً)

- اضبط العدة الكهربائية بوضعية الشغل.
- أدر قاعدة المنشار (42) حتى حز التوقيف (15) للزاوية 0°. ينبغي أن تتعاشق الذراع (13) بحز التوقيف بشكل محسوس.
- اسحب سكة المصادمة اليمنى القابلة للضبط (6) إلى الخارج تماماً.
- قم بفك مقبض الشد (14).

- اقلب ذراع الإزلاق من المقبض (1) من وضع 45°R نحو اليسار قليلاً وأدر المقبض الدوار (43)، إلى أن يظهر مجال زاوية الشطب العمودية اليمنى.
- قم بتحريك ذراع الإزلاق من المقبض (1) إلى اليمين حتى النهاية (45°).

الفحص (انظر الصورة W1)

- قم بضبط مقياس الزاوية على 135° وضعه على قاعدة المنشار (42).
- يجب أن يتراصف ساق مقياس الزاوية بكامل طوله مع شفرة المنشار (44).

الضبط (انظر الصورة W2)

- قم بفك لولب الضبط (73) بواسطة مفتاح الربط الهلالي (8 مم) بإدارته نحو الداخل أو الخارج إلى أن تتساطع ساق المقياس الزاوي الضابط مع شفرة المنشار على كامل الطول.
- أعد ربط مقبض الشد (14) بإحكام.

إن لم يكن مؤشر الزاوية (37) و (21) بعد الضبط على خط مسار واحد مع علامات 45° على التدرج (36)، يجب أولاً فحص ضبط الصفر 0° لزاوية الشطب العمودية والمؤشرات الزاوية مرة أخرى. كرر بعد ذلك عملية ضبط زاوية الشطب العمودية 45°.

تسوية التدرج لزاويا الشطب الأفقية

- اضبط العدة الكهربائية بوضعية الشغل.
- أدر قاعدة المنشار (42) حتى حز التوقيف (15) للزاوية 0°. ينبغي أن تتعاشق الذراع (13) بحز التوقيف بشكل محسوس.
- اسحب سكة المصادمة اليسرى القابلة للضبط (6) إلى الخارج تماماً.

الفحص (انظر الصورة X1)

- قم بضبط مقياس الزاوية على 90° وضعه بين سكة المصادمة (7) وشفرة المنشار (44) على قاعدة المنشار (42).

يجب أن يتراصف ساق مقياس الزاوية بكامل طوله مع شفرة المنشار (44).

واحدة مع اتجاه حركة عقارب الساعة تحرك شعاع الليزر من اليمين نحو اليسار.

2. ضبط شعاع الليزر الأيسر:

- أدر لولب الضبط الأيسر (68) باستخدام المفتاح سداسي الرأس المجوف (18)، إلى أن يصعب شعاع الليزر الأيسر على نفس المسافة من خط القطع المرسوم على قطعة الشغل مثل شعاع الليزر الأيمن.

إن دورة واحدة بعكس اتجاه حركة عقارب الساعة تحرك شعاع الليزر من اليسار نحو اليمين، أما دورة واحدة مع اتجاه حركة عقارب الساعة تحرك شعاع الليزر من اليمين نحو اليسار.

ضبط زاوية الشطب العمودية القياسية 0°

- ركز العدة الكهربائية في وضع النقل.
- أدر قاعدة المنشار (42) حتى حز التوقيف (15) للزاوية 0°. ينبغي أن تتعاشق الذراع (13) بحز التوقيف بشكل محسوس.

الفحص (انظر الصورة U1)

- قم بضبط مقياس الزاوية على 90° وضعه على قاعدة المنشار (42).
- يجب أن يتراصف ساق مقياس الزاوية بكامل طوله مع شفرة المنشار (44).

الضبط (انظر الصورة U2)

- قم بفك مقبض الشد (14).
- قم ببل لولبي التعديل (69) (دورة واحدة على الأقل) بواسطة مفتاح ربط صندوقي (10 مم).
- قم ببل لولب التثبيت (71) (حوالي 3 دورات) بواسطة المفتاح سداسي الرأس المجوف (4 مم) (17).

قم بربط أو فك لولب الضبط (70) باستخدام المفتاح سداسي الرأس المجوف (4 مم) (17) إلى أن تتساطع ساق المقياس الزاوي الضابط مع شفرة المنشار على كامل الطول.

- أعد ربط مقبض الشد (14) بإحكام. ينبغي أن تشد بعد ذلك أولاً لولب الضبط (71) ثم لولب الضبط (69) بإحكام مرة أخرى.

إن لم يكن مؤشر الزاوية (37) و (21) بعد الضبط على خط مسار واحد مع علامات الصفر 0° على المقياس (36)، قم ببل لولب تثبيت المؤشرين الزاويين بواسطة مفك البراغي المتصالب الحز وقم بتوجيه مؤشر الزاوية على مسار علامات الصفر 0°.

ضبط زاوية الشطب العمودية القياسية 45° (يساراً)

- اضبط العدة الكهربائية بوضعية الشغل.
- أدر قاعدة المنشار (42) حتى حز التوقيف (15) للزاوية 0°. ينبغي أن تتعاشق الذراع (13) بحز التوقيف بشكل محسوس.
- اسحب سكة المصادمة اليسرى القابلة للضبط (6) إلى الخارج تماماً.
- قم بفك مقبض الشد (14) وحرك ذراع الإزلاق من المقبض (1) نحو اليسار إلى حد التصادم (45°).

الفحص (انظر الصورة V1)

- قم بضبط مقياس الزاوية على 45° وضعه على قاعدة المنشار (42).

الصيانة والخدمة

الصيانة والتنظيف

- ◀ انزع المرمك عن العدة الكهربائية قبل إجراء أي أعمال بالعدة الكهربائية (مثلاً: الصيانة، استبدال العدد وإلخ..) وأيضاً عند نقلها أو تخزينها. هناك خطر إصابة بجروح عند الضغط على مفتاح التشغيل والإطفاء بشكل غير مقصود.
- ◀ للعمل بشكل جيد وأمن حافظ دائماً على نظافة العدة الكهربائية وفتحات التهوية.
- يجب أن يبقى غطاء الوقاية المتأرجح طليق الحركة دائماً وقابلًا للاغلاق بمفرده. حافظ لأجل ذلك دائماً على نظافة النطاق الموجود حول غطاء الوقاية المتأرجح.

أزل الغبار والنشارة بعد كل خطوة عمل من خلال نفخها بالهواء المضغوط أو بواسطة فرشاة. نظف بكرة الإزلاق (20).

التوابع

رقم الصنف	
B05 010 609 1	كيس الغبار
0 601 B12 100	طاولة عمل GTA 2500 W
0 601 B12 400	طاولة العمل GTA 2500 Compact
0 601 B12 300	طاولة عمل GTA 2600
0 601 B24 000	طاولة عمل GTA 3800
3 601 M43 000: شفرات المنشار للخشب	
Standard for Wood	
2 608 837 741	30 x 2,2/1,6 x 305 مم، 40 سن
2 608 837 742	30 x 2,2/1,6 x 305 مم، 60 سن
2 608 837 744	30 x 2,2/1,6 x 305 مم، 96 سن
Expert for Wood	
2 608 644 527	30 x 2,2/1,6 x 305 مم، 42 سن
2 608 644 528	30 x 2,2/1,6 x 305 مم، 60 سن
2 608 644 529	30 x 2,2/1,6 x 305 مم، 96 سن
3 601 M43 000: شفرات المنشار للألومنيوم	
Standard for Aluminium	
2 608 837 782	30 x 2,4/1,8 x 305 مم، 96 سن
2 608 644 547	30 x 2,4/1,8 x 305 مم، 96 سن
Expert for Aluminium	
3 601 M43 000: شفرات المنشار لألوان	
الأسمنت الليفي	
2 608 644 559	30 x 2,2/1,6 x 305 مم، 8 سنون

الضبط (انظر الصورة X2)

- قم بحل لوائب الضبط الأربعة (74) باستخدام مفتاح سداسي الرأس المجوف (4 مم) (17) وأدر قاعدة المنشار (42) مع التدريج (41) إلى أن تتساطع ساق المقياس الزاوي مع شفرة المنشار على كامل الطول.
- أحكم شد اللوائب بعد ذلك.
- إن لم يكن مؤشر الزاوية (64) بعد الضبط على خط مسار واحد مع علامات 0° على التدريج (41)، قم بفك اللولب (75) باستخدام أحد مفكات البراغي متصالية الحز، وقم بمحاذاة خط المنتصف لمؤشر الزاوية على امتداد العلامة 0°.

ضبط قوة زنق مقبض الشد (14) (انظر الصورة Y)

يمكن ضبط قوة زنق مقبض الشد (14) لاحقاً.

الفحص

- ينبغي أن تثبت قوة زنق مقبض الشد وضع ذراع الإزلاق بكل زاوية شطب مائل عمودية أي كانت.

الضبط

- قم بفك مقبض الشد (14).
- أدر لولب الضبط (76) بواسطة مفتاح ربط صندوقي (17 مم) عكس اتجاه حركة عقارب الساعة، لتقليل قوة الزنق أو في اتجاه حركة عقارب الساعة لزيادة قوة الزنق.
- اضبط زاوية شطب عمودية واحكم شد مقبض الشد (14) ووتأكد من الوصول إلى قوة الزنق المرغوبة.

النقل (انظر الصورة Z)

يجب أن تطبق الخطوات التالية قبل نقل العدة الكهربائية:

- ادفع ذراع الزنق (34) نحو الخلف بشكل كامل، وثبته في هذا الموضع.
- تأكد أن مدد العمق (28) قد تم ضغطه إلى الداخل تماماً، وأن لولب الضبط (27) يمر عبر الفجوة عند تحريك ذراع الإزلاق دون أن يلامس مدد العمق.
- حرك ذراع الإزلاق إلى أسفل حتى يصعب من الممكن ضغط قفل النقل (35) إلى الداخل تماماً
- ادفع امتدادات منضدة النشر (8) نحو الداخل بشكل كامل.
- اضبط زاوية شطب عمودية 0° وأحكم شد مقبض الشد (14).
- أدر قاعدة المنشار (42) نحو اليسار حتى النهاية، واربط مقبض التثبيت (12).
- أبعد جميع قطع التوابع التي لا يمكن تثبيتها بالعدة الكهربائية بإحكام.
- ضع شفرات المنشار التي لا يتم استعمالها في وعاء مغلق أثناء النقل إن أمكن.
- لغرض النقل أدخل يدك في تجايف المسك (16) على جانب قاعدة المنشار.
- ◀ استخدم فقط تجهيزات النقل عند نقل العدة الكهربائية ولا تستخدم أبداً تجهيزات الوقاية أو ذراع الإزلاق أو المقبض.

خدمة العملاء واستشارات الاستخدام

يجب مركز خدمة العملاء على الأسئلة المتعلقة بإصلاح المنتج وصيانته، بالإضافة لقطع الغيار. تجد الرسوم التفصيلية والمعلومات الخاصة بقطع الغيار في الموقع: www.bosch-pt.com
يسر فريق Bosch لاستشارات الاستخدام مساعدتك إذا كان لديك أي استفسارات بخصوص منتجاتنا وملحقاتها.

يلزم ذكر رقم الصنف ذو الثانات العشر وفقاً للوحة صنع المنتج عند إرسال أية استفسارات أو طلبيات قطع غيار.

المغرب

Robert Bosch Morocco SARL
53، شارع الملازم محمد محروود
20300 الدار البيضاء
الهاتف: +212 5 29 31 43 27
البريد الإلكتروني: sav.outillage@ma.bosch.com

تجد المزيد من عناوين الخدمة تحت:

www.bosch-pt.com/serviceaddresses

النقل

تخضع مراكم أيونات الليثيوم المركبة لأحكام قانون المواد الخطيرة. يسمح للمستخدم أن يقوم بنقل المراكم على الطرقات دون التقيد بأية شروط إضافية.

عندما يتم إرسالها عن طريق طرف آخر (مثلاً: الشحن الجوي أو شركة شحن)، يتوجب التقيد بشروط خاصة بصدد التغليف ووضع العلامات. ينبغي استشارة خبير متخصص بنقل المواد الخطيرة عندما يرغب بتحضير المرمك المراد شحنه في هذه الحالة.
لا تقوم بشحن المراكم إلا إذا كان هيكلها الخارجي سليم. قم بتغطية الملامسات المكشوفة ن بلاصقات، و قم بتغليف المرمك بحيث لا يتحرك في الطرد. يرجى أيضاً مراعاة التشريعات المحلية المتعلقة إن وجدت.

التخلص من العدة الكهربائية

يجب التخلص من العدة الكهربائية والمركم والتوابع والتغليف بطريقة صديقة للبيئة عن طريق النفايات القابلة لإعادة التصنيع.

لا تلق العدة الكهربائية والمراكم/البطاريات ضمن النفايات المنزلية!



المراكم/البطاريات:

مراكم أيونات الليثيوم:

يرجى مراعاة الإرشادات الواردة في جزء النقل (انظر „النقل“، الصفحة 206).

فارسی

دستورات ایمنی

هشدارهای ایمنی عمومی برای ابزارهای برقی

هشدار

کلیه هشدارها،

دستورالعملها، تصاویر و

مشخصات ارائه شده به همراه ابزار برقی را

مطالعه کنید. اشتباهات ناشی از عدم رعایت این

دستورات ایمنی ممکن است باعث برق گرفتگی،

سوختگی و یا سایر جراحات های شدید شود.

کلیه هشدارهای ایمنی و راهنماییها را برای

آینده خوب نگهداری کنید.

عبارت «ابزار برقی» در هشدارها به ابزارهایی که به

پریز برق متصل میشوند (با سیم برق) و یا ابزارهای

برقی باتری دار (بدون سیم برق) اشاره دارد.

ایمنی محل کار

محیط کار را تمیز و روشن نگه دارید. محیطهای

در هم ریخته یا تاریک احتمال بروز حادثه را

افزایش میدهند.

ابزار برقی را در محیطهایی که خطر انفجار

وجود دارد و حاوی مایعات، گازها و بخارهای

مخترقه هستند، به کار نگیرید. ابزارهای برقی

جرقهایی ایجاد میکنند که میتوانند باعث آتش

گرفتن گرد و غبارهای موجود در هوا شوند.

هنگام کار با ابزار برقی، کودکان و سایر

افراد را از دستگاه دور نگه دارید. در

صورتیکه حواس شما پرت شود، ممکن است کنترل

دستگاه از دست شما خارج شود.

ایمنی الکتریکی

دوشاخه ابزار برقی باید با پریز برق تناسب

داشته باشد. هیچگونه تغییری در دوشاخه

ایجاد نکنید. مبدل دوشاخه نباید همراه با

ابزار برقی دارای اتصال زمین استفاده شود.

دوشاخههای اصل و تغییر داده نشده و پریزهای

مناسب، خطر برق گرفتگی را کاهش میدهند.

از تماس بدنی با قطعات متصل به سیم

اتصال زمین مانند لوله، شوفاژ، اجاق برقی و

یخچال خودداری کنید. در صورت تماس بدنی با

سطوح و قطعات دارای اتصال به زمین و همچنین

تماس شما با زمین، خطر برق گرفتگی افزایش

می یابد.

ابزارهای برقی را در معرض باران و رطوبت

قرار ندهید. نفوذ آب به ابزار برقی، خطر شوک

الکتریکی را افزایش میدهد.

از سیم دستگاه برای مقاصد دیگر استفاده

نکنید. هرگز برای حمل ابزار برقی، کشیدن آن

یا خارج کردن دوشاخه از سیم دستگاه

استفاده نکنید. کابل دستگاه را از حرارت،

روغن، لبههای تیز یا قطعات متحرک دور نگه

دارید. کابلهای آسیب دیده و یا گره خورده خطر

شوک الکتریکی را افزایش میدهند.

هنگام استفاده از ابزار برقی در محیطهای باز،

تنها از کابل رابطی استفاده کنید که برای

محیط باز نیز مناسب باشد. کابل های رابط مناسب برای محیط باز، خطر برق گرفتگی را کم می کنند.

در صورت لزوم کار با ابزار برقی در محیط و

اماکن مرطوب، باید از یک کلید حفاظتی جریان

خطا و نشتی زمین (کلید قطع کننده اتصال با

زمین) استفاده کنید. استفاده از کلید حفاظتی

جریان خطا و نشتی زمین خطر برق گرفتگی را

کاهش می دهد.

رعایت ایمنی اشخاص

حواس خود را خوب جمع کنید، به کار خود

دقت کنید و با فکر و هوشیاری کامل با ابزار

برقی کار کنید. در صورت خستگی و یا در

صورتی که مواد مخدر، الکل و دارو استفاده

کردهاید، با ابزار برقی کار نکنید. یک لحظه بی

توجهی هنگام کار با ابزار برقی، میتواند جراحات

های شدیدی به همراه داشته باشد.

از تجهیزات ایمنی شخصی استفاده کنید.

همواره از عینک ایمنی استفاده نمایید.

استفاده از تجهیزات ایمنی مانند ماسک ضد گرد و

غبار، کفشهای ایمنی ضد لغزش، کلاه ایمنی و

گوشی محافظ متناسب با نوع کار با ابزار برقی،

خطر مجروح شدن را کاهش میدهد.

مواظب باشید که ابزار برقی بطور ناخواسته

بکار نیفتد. قبل از وارد کردن دوشاخه

دستگاه در پریز برق، اتصال آن به باتری،

برداشتن آن و یا حمل دستگاه، باید دقت

کنید که ابزار برقی خاموش باشد. در صورتی

که هنگام حمل دستگاه انگشت شما روی دکمه

قطع و وصل باشد و یا دستگاه را در حالت روشن

به برق بزنید، ممکن است سوانح کاری پیش آید.

قبل از روشن کردن ابزار برقی، همه ابزارهای

تنظیم کننده و آپارها را از روی دستگاه

بردارید. ابزار و آپارهایی که روی بخش های

چرخنده دستگاه قرار دارند، میتوانند باعث ایجاد

جراحات شوند.

وضعیت بدن شما باید در حالت عادی قرار

داشته باشد. برای کار جای مطمئنی برای

خود انتخاب کرده و تعادل خود را همواره

حفظ کنید. به این ترتیب میتوانید ابزار برقی را در

وضعیتهای غیر منظره بهتر تحت کنترل داشته

باشید.

لباس مناسب بپوشید. از پوشیدن لباسهای

گشاد و حمل زینت آلات خودداری کنید.

موها و لباس خود را از بخشهای در حال

چرخش دستگاه دور نگه دارید. لباسهای گشاد،

موی بلند و زینت آلات ممکن است در قسمتهای

در حال چرخش دستگاه گیر کنند.

در صورتی که تجهیزاتی برای اتصال وسائل

مکش گرد و غبار و یا وسیله جمع کننده گرد

و غبار ارائه شده است، باید مطمئن شوید که

این وسائل درست نصب و استفاده

می شوند. استفاده از وسائل مکش گرد و غبار

مصونیت شما را در برابر گرد و غبار زیادتر میکند.

آشنایی با ابزار به دلیل کار کردن زیاد با آن

نباید باعث سهل انگاری شما و نادیده گرفتن

وسایل کوچک فلزی دور نگه دارید، زیرا این وسایل ممکن است باعث ایجاد اتصالی شوند. ایجاد اتصالی بین دو قطب باتری (ترمینالهای باتری) میتواند باعث سوختگی و ایجاد حریق شود.

◀ **استفاده بی رویه از باتری میتواند باعث خروج مایعات از آن شود؛ از هر گونه تماس با این مایعات خودداری کنید.** در صورت تماس با آب بشوئید. در صورت آلوده شدن چشم با این مایع، باید به پزشک مراجعه کنید. مایع خارج شده از باتری میتواند باعث التهاب پوست و سوختگی شود.

◀ **هرگز از باتری یا ابزار آسیب دیده یا دست کاری شده استفاده نکنید.** باتریهای آسیب دیده ممکن است کارکرد غیر منتظرهای داشته باشند و منجر به آتش سوزی، انفجار یا جراثیم شوند.

◀ **باتری یا ابزار را در معرض آتش یا دمای زیاد قرار ندهید.** قرار گرفتن در معرض آتش یا دمای بالاتر از 130 درجه سانتیگراد میتواند باعث انفجار شود.

◀ **همه راهنمایهای مربوط به شارژ را رعایت کنید و باتری یا ابزار را خارج از محدوده دمای تعریف شده در دستورات شارژ نکنید.** شارژ کردن نادرست یا در دمای خارج از محدوده تعریف شده ممکن است به باتری صدمه بزند و خطر آتش سوزی را افزایش دهد.

سرویس

◀ **برای تعمیر ابزار برقی فقط به متخصصین حرفهای رجوع کنید و از قطعات یدکی اصل استفاده نمایید.** این باعث خواهد شد که ایمنی دستگاه شما تضمین گردد.

◀ **هرگز باتریهای آسیب دیده را تعمیر نکنید.** باتری باید تنها توسط متخصصین مجاز شرکت تعمیر شوند.

هشدارهای ایمنی برای ارههای فارسی بر

◀ **اره های فارسی بر جهت برش چوب یا مواد محصولاتی چوبی در نظر گرفته شده اند و برای برش قطعات آهنی مانند میل گرد، مفتول یا پیچ و غیره مناسب نیستند.** گرد و غبار تراشه باعث مسدود شدن اجزاء متحرکی مانند قاب محافظ زیرین میشود. جرقههای برش باعث سوختن قاب محافظ زیرین، غلاف شکاف و سایر قطعات پلاستیکی خواهد شد.

◀ **قطعه کار را در صورت امکان با گیره تثبیت کنید.** در صورت نگه داشتن قطعه کار با دست، باید همیشه دستان خود را در فاصله 100 میلیمتری از هر طرف تیغه اره قرار دهید. از این اره برای بردن قطعات بسیار کوچکی که نمیتوان آنها را با گیره تثبیت کرد یا با دست نگه داشت، استفاده نکنید. چنانچه دست شما به تیغه اره بسیار نزدیک باشد، خطر بروز جراحت بر اثر تماس با تیغه بیشتر است.

اصول ایمنی شود. بی دقتی ممکن است باعث بروز جراحاتی در عرض کسری از ثانیه شود.

استفاده صحیح از ابزار برقی و مراقبت از آن

◀ **از وارد کردن فشار زیاد روی دستگاه خودداری کنید.** برای هر کاری، از ابزار برقی مناسب با آن استفاده کنید. بکار گرفتن ابزار برقی مناسب باعث میشود که بتوانید از توان دستگاه بهتر و با اطمینان بیشتر استفاده کنید.

◀ **در صورت ایراد در کلید قطع و وصل ابزار برقی، از دستگاه استفاده نکنید.** ابزار برقی که نمی توان آنها را قطع و وصل کرد، خطرناک بوده و باید تعمیر شوند.

◀ **قبل از تنظیم ابزار برقی، تعویض متعلقات و یا کنار گذاشتن آن، دوشاخه را از برق بکشید و یا باتری آنرا خارج کنید.** رعایت این اقدامات پیشگیری ایمنی از راه افتادن ناخواسته ابزار برقی جلوگیری می کند.

◀ **ابزار برقی را در صورت عدم استفاده، از دسترس کودکان دور نگه دارید و اجازه ندهید که افراد ناوارد و یا اشخاصی که این دفترچه راهنما را نخواندهاند، با این دستگاه کار کنند.** قرار گرفتن ابزار برقی در دست افراد ناوارد و بی تجربه خطرناک است.

◀ **از ابزار برقی و متعلقات خوب مراقبت کنید.** مواظب باشید که قسمت های متحرک دستگاه خوب کار کرده و گیر نکنند. همچنین دقت کنید که قطعات ابزار برقی شکسته و یا آسیب دیده نباشند. قطعات آسیب دیده را قبل از شروع به کار تعمیر کنید. علت بسیاری از سوانح کاری، عدم مراقبت کامل از ابزارهای برقی می باشد.

◀ **ابزار برش را تیز و تمیز نگه دارید.** ابزار برشی که خوب مراقبت شده و از لبه های تیز برخوردار است، کمتر در قطعه کار گیر کرده و بهتر قابل هدایت است.

◀ **ابزار برقی، متعلقات، متهای دستگاه و غیره را مطابق دستورات این جزوه راهنما به کار گیرید و به شرایط کاری و نوع کار نیز توجه داشته باشید.** استفاده از ابزار برقی برای عملیاتی به جز مقاصد در نظر گرفته شده، میتواند به بروز شرایط خطرناک منجر شود.

◀ **دستها و سطوح عایق را همواره خشک، تمیز و عاری از روغن و گریس نگه دارید.** دسته های لغزنده مانع ایمنی و کنترل در کار در شرایط غیر منتظره هستند.

مراقبت و طرز استفاده از ابزارهای شارژی

◀ **باتریها را منحصراً توسط شارژرهایی که توسط سازنده توصیه شدهاند، شارژ کنید.** در صورتی که برای شارژ باتری، آنرا در شارژری قرار دهید که برای آن باتری ساخته نشده است، خطر آتش سوزی وجود دارد.

◀ **در ابزارهای برقی فقط از باتریهایی استفاده کنید که برای آن نوع ابزار برقی در نظر گرفته شدهاند.** استفاده از باتریهای متفرقه میتواند منجر به بروز جراحت و حریق گردد.

◀ **در صورت عدم استفاده از باتری باید آنرا از گیره های فلزی، سکه، کلید، میخ، پیچ و دیگر**

- مرحله کار و قرار نگرفتن نگهدارنده در مسیر برش مطمئن شوید.
- ◀ **برای برشکاری قطعاتی که بزرگتر از میز هستند از حائل یا خرک استفاده کنید.** قطعاتی که بزرگتر از میز هستند، ممکن است بدون تکیه گاه واژگون شوند. در صورت واژگون شدن یک قطعه چوب یا قطعه کار، ممکن است قاب پایینی بلند شود و بدون کنترل توسط تیغه ی در حال چرخش پرتاب گردد.
- ◀ **از اشخاص دیگر جهت تکیه دادن با نگهداشتن قطعات کار استفاده نکنید.** بی ثباتی حائل قطعه کار میتواند باعث گیر کردن تیغه اره یا جابهجا شدن قطعه کار در طول برش شده و شما و همکاران را به سمت تیغه اره در حال چرخش بکشاند.
- ◀ **تکه بریده شده نباید گیر کند با هیچ وسیلهای به تیغه اره فشرده شود.** در صورت قرار گرفتن تحت فشار، برای مثال با استفاده از نگهدارندههای طولی، ممکن است تکه بریده شده با تیغه اره در گیر و با فشار به بیرون پرتاب شود.
- ◀ **مناسب جهت ثابت نگه داشتن صحیح اجسام گرد مانند میلهها یا لولهها، همیشه از گیره یا تجهیزات مهار استفاده کنید.** اجسام گرد هنگام برش میل به چرخش دارند که باعث گیر کردن آنها در تیغه اره میشود و قطعه کار را با دست شما به طرف تیغه اره میکشند.
- ◀ **قبل از شروع برش روی قطعه کار، بگذارید اره به بیشینه سرعت خود برسد.** این کار خطر پرتاب شدن قطعه کار را کم می کند.
- ◀ **در صورت گیر کردن قطعه کار یا تیغه اره، دستگاه را خاموش کنید.** صبر کنید تا کلیه قسمتهای متحرک متوقف شوند، کابل را از برق بکشید و/یا باتری را بیرون بیاورید. سپس جسم گیر کرده را آزاد کنید. ادامه دادن به برش هنگامی که قطعه کار گیر کرد است، میتواند باعث از دست رفتن کنترل و آسیب رسیدن به اره فارسی بر شود.
- ◀ **پس از اتمام برش، کلید را رها کنید، سر اره را پایین نگه دارید و صبر کنید تا تیغه متوقف شود، سپس قطعه بریده شد را بردارید.** نزدیک کردن دست به تیغه در حال حرکت بسیار خطرناک است.
- ◀ **هنگام انجام نیم برش یا رها کردن کلید قبل از رسیدن سر اره به پایین ترین حد خود، دسته را محکم نگه دارید.** عمل ترمز اره ممکن است سر اره را به طور ناگهانی پایین بکشاند و سبب وارد آمدن جراحت گردد.
- ◀ **هنگامی که سر اره به پایین ترین موقعیت رسیده است، دسته را رها نکنید.** سر اره را همیشه با دست به بالاترین موقعیت برگردانید. اگر سر اره بدون کنترل حرکت کند، احتمال آسیب دیدگی وجود دارد.
- ◀ **محل کار را تمیز نگهدارید.** ترکیبات مواد بسیار خطرناک هستند. گرد فلز سبک ممکن است آتش بگیرد یا منفجر شود.
- ◀ **هرگز از تیغه های اره کند، ترک خورده، خمیده شده یا آسیب دیده استفاده نکنید.**
- ◀ **قطعه کار باید بدون حرکت و با گیره محکم شده باشد یا به طرف نگهدارنده و میز فشرده شود.** هرگز قطعه کار را به طرف تیغه اره نرانید یا به صورت "دست آزاد" کار نکنید. قطعه کارهای شل و متحرک می توانند به بیرون پرتاب شوند و باعث جراحت گردند.
- ◀ **اره را به داخل قطعه کار فشار دهید.** از کشیدن اره در قطعه کار خودداری کنید.
- ◀ **جهت ایجاد برش، سر اره را بلند کنید و آن را بدون برش دادن، بالای قطعه کار قرار دهید، موتور را روشن کنید، سر اره را پایین ببرید و تیغه اره را به داخل قطعه کار فشار دهید.** در صورت برش همراه با کشیدن، این خطر وجود دارد که تیغه اره بلند شود و مجموعه تیغه اره با فشار به طرف کاربر پرت شود.
- ◀ **هرگز دستان خود را در جلو یا پشت تیغه اره به صورت ضربدوری بالای خط برش مورد نظر قرار ندهید.** نگه داشتن قطعه کار به صورت ضربدوری یعنی نگهداشتن قطعه کار در طرف راست تیغه اره با دست چپ و بر عکس بسیار خطرناک است.
- ◀ **هنگام چرخش تیغه اره، دستان خود را برای برداشتن تراشههای چوب یا هر منظور دیگری، در پشت نگهدارنده به فاصله کمتر از 100 میلیمتری هر دو طرف تیغه اره نزدیک نکنید.** نزدیک بودن دستان شما به تیغه اره قابل تشخیص نیست و از این رو ممکن است خود را به شدت مجروح کنید.
- ◀ **قبل از برش، قطعه کار خود را بررسی کنید.** در صورتی که قطعه کار دارای قوس یا خمیدگی است، آن را به گونهای که سمت خمیده به طرف نگهدارنده باشد، با گیره تثبیت کنید. همیشه اطمینان حاصل کنید که در سرتاسر خط برش بین قطعه کار، نگهدارنده و میز فاصلههای وجود ندارد. قطعههای کار دارای قوس یا خمیدگی ممکن است بچرخند و جا به جا شوند و باعث گیر کردن تیغه اره هنگام کار گردند. در قطعه کار نباید میخ یا اجسام خارجی وجود داشته باشد.
- ◀ **اره را تنها وقتی بکار برید که میز عاری از ابزار و تراشه های چوب و گیره باشد.** تراشههای، تکههای کوچک چوب و سایر اشیائی که با تیغه در حال چرخش تماس پیدا میکنند، با سرعت زیاد به بیرون پرت میشوند.
- ◀ **هر بار فقط یک قطعه کار را ببرید.** قطعات کار روی هم گذاشته شده را نمی توان مهار کرد و ممکن است هنگام برش سر بخورند و باعث گیر کردن تیغه گردند.
- ◀ **قبل از کار، اره را روی یک سطح صاف و ثابت قرار دهید.** یک سطح صاف و ثابت خطر بی ثباتی اره فارسی بر را کاهش میدهد.
- ◀ **با برنامه کار کنید.** هر بار هنگام تغییر شیب تیغه اره یا زاویه برش فارسی دقت کنید که نگهدارنده برای مهار کردن قطعه کار درست تنظیم شده باشد و با تیغه اره یا قاب محافظ تماس پیدا نمیکند. بدون روشن کردن اره و قرار دادن قطعه کار بر روی میز، یک مرحله کامل برش فرضی را انجام دهید تا از بی عیب بودن

- ◀ در صورت برخورد پرتوی لیزر به چشم، چشمه را فوراً ببندید و سر را از محدوده ی پرتوی لیزر خارج کنید.
- ◀ از بکار بردن ابزارهای متمرکز کننده نور مانند دوربین و غیره جهت مشاهده منبع پرتو خودداری کنید. اینگونه ممکن است به چشمان خود آسیب برسانید.
- ◀ پرتوی لیزر را به طرف اشخاصی که با دوربین یا وسایل مانند آن نگاه می کنند نگیرید.
- ◀ اینگونه ممکن است به چشمان آنها آسیب برسانید.
- ◀ هیچ گونه تغییری در تنظیمات لیزر انجام ندهید. امکانات تنظیم ذکر شده در دفترچه راهنما را می توان بدون خطر استفاده کرد.
- ◀ از عینک دید لیزر (متعلقات) به عنوان عینک ایمنی استفاده نکنید. عینک دید لیزر برای تشخیص بهتر پرتو لیزر در نظر گرفته شده است؛ ولی محافظتی در برابر پرتو لیزر نمی کند.
- ◀ از عینک دید لیزر (متعلقات) به عنوان عینک آفتابی یا هنگام رانندگی استفاده نکنید.
- ◀ عینک دید لیزر دارای حفاظت کامل در برابر اشعه ماوراء بنفش نیست و تشخیص رنگ را کاهش می دهد.
- ◀ احتیاط - چنانچه سایر موارد کاربری یا تنظیمی یا روشهای دیگر غیر از مواد ذکر شده در این دفترچه به اجرا درآیند، می تواند منجر به فرار گرفتن خطرناک در معرض تابش پرتو گردد.
- ◀ هرگز لیزر تعبیه شده را با یک نوع لیزر دیگری جایگزین نکنید. کاربرد لیزر دیگری که با این ابزار برقی مطابقت نداشته باشد، می تواند خطراتی را برای افراد ایجاد کند.
- ◀ احتیاط! هنگام استفاده از ابزار اندازه گیری با *Bluetooth* * ممکن است دستگاهها، سیستمها، هواپیماها و ابزارهای پزشکی (باتری قلب، سمعک) دچار اختلال شوند. همچنین ممکن است افراد یا حیوانات کاملاً نزدیک به ابزار آسیب ببینند. ابزار برقی با *Bluetooth* * را در نزدیکی دستگاههای پزشکی، پمپ بنزین، سیستمهای شیمیایی و مناطق دارای خطر انفجار بکار نبرید. از ابزار برقی به همراه *Bluetooth* در هواپیما استفاده نکنید. از کاربرد دستگاه به مدت طولانی در نزدیکی مستقیم بدن خودداری کنید.
- ◀ علامت نامی *Bluetooth*® همانند علامت های تصویری (لوگوها)، نشانههای ثبت شده و متعلق به *Bluetooth SIG, Inc* می باشند. هر گونه استفاده از این علامت نامی/نشانهها، توسط شرکت *Robert Bosch Power Tools GmbH* تحت لیسانس انجام میشوند.

علامت ها

علامت و نماد های زیر و معانی آنها میتوانند برای کار و استفاده از ابزار برقی شما پر اهمیت باشند. لطفاً این علامت و مفهوم آنها را خوب بخاطر بسپارید. تفسیر صحیح این علامت و معانی آنها را شما کمک میکند که ابزار برقی را بهتر و مطمئن تر مورد استفاده قرار بدهید.

- ◀ تیغه های اره کند یا با دندانهای نامنظم در یک شکاف برش تنگ، باعث ایجاد اصطکاک بالا، گیر کردن تیغه اره و پس زدن (ضربه به عقب) می شوند.
- ◀ از تیغه های اره ساخته شده از فولاد آلیاژی با استحکام بالا (فولاد HSS) استفاده نکنید. اینگونه تیغه های اره ممکن است سریع بشکنند.
- ◀ همواره از تیغه های دارای اندازه و سوراخ نگهدارنده مناسب (مثلاً شکل گرد یا لوزی) استفاده کنید. تیغه ارههایی که با قطعههایی قابل مونتاژ اره متناسب نباشند، به صورت غیر مدور حرکت میکنند و باعث از دست دادن کنترل میشوند.
- ◀ هرگز باقیماندهای برش، تراشه های چوب و اشیایی از این قبیل را در حالی که ابزار برقی روشن است از محدوده برش دور نکنید. همواره ابتدا بازوی ابزار برقی را به وضعیت سکون اولیه بازگردانید و سپس ابزار برقی را خاموش کنید.
- ◀ پس از اتمام کار، تیغه اره را قبل از سرد شدن لمس نکنید. تیغه اره در اثر کار کردن بسیار داغ می شود.
- ◀ در صورتیکه باتری آسیب دیده باشد و یا از آن بطور بی رویه استفاده شود، ممکن است از باتری بخارهایی بلند شود. باتری ممکن است آتش بگیرد یا منفجر شود. در این حالت هوای محیط را تازه کنید؛ اگر احساس ناراحتی کردید، به پزشک مراجعه نمایید. استنشاق این بخارها ممکن است به مجاری تنفسی شما آسیب برساند.
- ◀ باتری را باز نکنید. خطر اتصال کوتاه وجود دارد.
- ◀ بوسیله ی اشیاء تیز مانند میخ یا پیچکوشتی یا تأثیر نیروی خارجی ممکن است باتری آسیب ببیند. ممکن است اتصالی داخلی رخ دهد و باتری آتش گیرد، دود کند، منفجر شود یا بیش از حد داغ گردد.
- ◀ تنها از باتری برای محصولات تولیدی شرکت استفاده کنید. فقط در اینصورت باتری در برابر خطر اعمال فشار بیش از حد محافظت میشود.
- ◀ باتری را در برابر حرارت، از جمله در برابر تابش مداوم خورشید و همچنین در برابر آتش، آلودگی، آب و رطوبت محفوظ بدارید. خطر اتصالی و انفجار وجود دارد.
- ◀ برچسب های هشدار بر روی ابزار برقی باید همواره خوانا و مشخص باقی بمانند، روی آنها را هرگز نپوشانید.
- ◀ ابزار برقی به همراه یک برچسب هشدار لیزر ارسال می گردد (رجوع کنید به جدول "نمادها و مفهوم آنها").
- ◀ جهت پرتو لیزر نباید به طرف افراد و حیوانات باشد و خودتان هم مستقیماً به پرتو لیزر یا بازتاب آن نگاه نکنید. این کار ممکن است منجر به خیره شدگی افراد، بروز سانحه یا آسیب دیدگی چشم گردد.



علایم و مفهوم آنها

ابزار برقی را هرگز از دستگیره بازوی کشویی حمل نکنید.



در زاویه های مورب عمودی باید قطعه بسط خط کش راهنمای چپ یا راست را جا به جا کرد یا به طور کامل برداشت.



موتور پر توان جدید در ترکیب با باتری های قابل شارژ ProCORE-18V، به شما توانی قابل قیاس با موتورهای ابزارهای برقی کابلی ارائه می دهد.



اهرم مهار باز است:
زاویه مورب عمودی را می توان تنظیم کرد.



اهرم مهار بسته است:
زاویه مورب عمودی تنظیم شده بازوی کشویی، حفظ می شود.

بکایک مراحل تنظیم زاویه مورب عمودی را نشان می دهد.
1. اهرم مهار را شل کنید
2. بازوی کشویی را به آرامی به چپ بچرخانید
3. محدوده زاویه مورب عمودی دلخواه را روی دکمه چرخشی تنظیم کنید



نحوه تنظیم محدوده های زاویه مورب عمودی روی دکمه چرخشی:



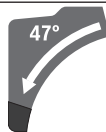
شیب تیغه اره به سمت چپ (45° تا 0°)



شیب تیغه اره به سمت راست (0° تا 45°)



محدوده کلی حرکت بازوی کشویی (-47° تا +47°)



توضیحات محصول و کارکرد

همه دستورات ایمنی و راهنماها را بخوانید. اشتباهات ناشی از عدم رعایت این دستورات ایمنی ممکن است باعث برفکرفتگی، سوختگی و یا سایر جراحات های شدید شود.



به تصویرهای واقع در بخشهای اول دفترچه راهنما توجه کنید.

علایم و مفهوم آنها

به پرتوی لیزر به طور مستقیم با لنز تلسکوپ نگاه نکنید
لیزر کلاس 1M



هنگامی که ابزار برقی در حال کار است، دست های خود را در محدوده اره قرار ندهید. در صورت تماس با تیغه اره، خطر جراحت وجود دارد.



از ماسک محافظ در برابر گرد و غبار استفاده کنید.



از عینک ایمنی استفاده کنید.



از گوشی ایمنی استفاده کنید. صدای بلند ممکن است به شنوایی شما آسیب برساند.



محدوده خطر! تا جای ممکن دست ها، انگشتان یا بازوها را از این محدوده دور نگه دارید.



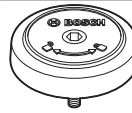
انگشتان خود را بین قسمت های متحرک بازوی کشویی قرار ندهید. انگشتان شما ممکن است له و به شدت زخمی شوند.



به ابعاد تیغه اره توجه داشته باشید. قطر سوراخ باید بدون لقی با محور ابزار منطبق باشد. چنانچه به قطعات تبدیل نیاز است، دقت کنید که ابعاد قطعه تبدیل با ضخامت تیغه اره و قطر سوراخ تیغه اره و همچنین قطر محور ابزار منطبق باشند. تا جای ممکن از قطعات تبدیل ارسال شده همراه با تیغه اره استفاده کنید. قطر تیغه اره باید با مقدار ذکر شده روی علامت منطبق باشد.



جهت چرخش پین SDS، برای محکم کردن تیغه اره (خلاف جهت عقربه های ساعت) و برای باز کردن تیغه اره (جهت عقربه های ساعت) را نشان می دهد.



ابزار برقی را جهت حمل و نقل فقط از جاهای مشخص شده (محل تورفتگی جای دست) یا از دسته حمل و نقل بگیرید.



موارد استفاده از دستگاه

این ابزار برقی بعنوان یک دستگاه ثابت، برای انجام برش های مستقیم طولی و برش های مستقیم عرضی در چوب در نظر گرفته شده است. زاویه مورب افقی 52° تا 60° و نیز زاویههای مورب عمودی 47° (از طرف چپ) تا 47° (از طرف راست) قابل تنظیم می باشند.

قدرت ابزار برقی طوری طراحی شده است که برای اره کردن و برش چوب های سخت و نرم، مانند تخته های خرده چوب (نئوپان) و تخته های چندلای مناسب است.

در صورت استفاده از تیغه اره های مناسب، برش پروفیل های آلومینیوم و پلاستیک امکان پذیر است. داده ها و تنظیمات ابزار برقی میتوانند در صورت نصب *Bluetooth* * *Low Energy Module GCY 42* بوسیله فناوری امواج *Bluetooth* * بین ابزار برقی و یک دستگاه نهایی همراه منتقل شوند.

اجزاء دستگاه

شماره های اجزاء دستگاه که در تصویر مشاهده میشود، مربوط به شرح ابزار برقی می باشد که تصویر آن در این دفترچه آمده است.

- (28) خط کش تعیین عمق سوراخ
- (29) برچسب هشدار لیزر
- (30) پوشش محافظ لیزر
- (31) قاب ماژول *Low Energy Bluetooth* GCY 42
- (32) باتری قابل شارژ^(a)
- (33) دکمه آزادسازی باتری قابل شارژ^(a)
- (34) بازوی کشویی
- (35) قفل ایمنی حمل و نقل
- (36) درجه بندی برای زاویه مورب (عمودی)
- (37) نشانگر زاویه برای محدوده زاویه مورب سمت چپ (0° تا 47°) (عمودی)
- (38) دکمه تنظیم زاویه مورب $22,5^{\circ}$ (عمودی)
- (39) پیچ قفل قطعه نگه دارنده انتهای قطعه کار
- (40) قطعه نگه دارنده انتهای قطعه کار
- (41) درجه بندی برای زاویه مورب (افقی)
- (42) میز اره
- (43) دکمه چرخشی جهت تنظیم کردن محدوده زاویه مورب (عمودی)
- (44) تیغه اره
- (45) منفذ خروجی پرتو لیزر
- (46) نشانگر وضعیت شارژ باتری (User Interface)
- (47) نشانگر حالت اقتصادی (User Interface)
- (48) دکمه انتخاب سرعت (User Interface)
- (49) نشانگر درجه سرعت/حالت (User Interface)
- (50) نشانگر گوشی هوشمند (User Interface)
- (51) نشانگر وضعیت ابزار برقی (User Interface)
- (52) نشانگر دما (User Interface)
- (53) قفل کننده محور دستگاه
- (54) پیچ آلن برای اتصال تیغه اره
- (55) فلنج مهار
- (56) فلنج مهار داخلی
- (57) اهرم نگه دارنده میز کشویی برای گسترش کفی اره
- (58) پیچ قفل خط کش راهنمای قابل تنظیم
- (59) کاهنده
- (60) پیچ های تنظیم برای کاهندگی
- (61) سوراخ های گیره پیچی
- (62) پیچ خروسکی
- (63) میله رزوه دار
- (64) نشانگر زاویه مورب (افقی)
- (65) کلید روشن/خاموش
- (66) پیچ های صفحه مونتاژ
- (67) پیچ قطعه نگه دارنده انتهای قطعه کار
- (68) پیچ های تنظیم قرار گرفتن موقعیت لیزر (منطقی)
- (69) پیچ های تنظیم برای تنظیم اصلی 0° (زاویه مورب عمودی)
- (70) /

- (1) دستگیره
- (2) قفل ایمنی کلید روشن/خاموش
- (3) User Interface (رابط کاربری)
- (4) قاب محافظ
- (5) حفاظ ایمنی متمرک
- (6) خط کش راهنمای قابل تنظیم
- (7) خط کش راهنما
- (8) میز کشویی برای گسترش کفی اره
- (9) سوراخ های نصب
- (10) صفحه مونتاژ
- (11) گیره قفل
- (12) پیچ تثبیت برای زاویه مورب دلخواه (افقی)
- (13) اهرم پیش تنظیم زاویه مورب (افقی)
- (14) اهرم مهار برای زاویه مورب دلخواه (عمودی)
- (15) شیارهای زاویه مورب استاندارد (افقی)
- (16) محل تو رفتگی جای دست
- (17) آچار آلن (6 mm/4 mm)
- (18) آچار آلن (2 mm)
- (19) گیره پیچی
- (20) غلطک هدایت کننده
- (21) نشانگر زاویه برای محدوده زاویه مورب سمت راست (0° تا 47°) (عمودی)
- (22) حفاظ ایمنی در برابر براده فلز
- (23) پین SDS
- (24) خروجی تراشه
- (25) اهرم نگه دارنده مکانیسم کشویی
- (26) آداپتور مکش
- (27) پیچ تنظیم خط کش تعیین عمق سوراخ

اره کشویی GCM 18V-305 GDC

30	mm	قطر سوراخ
(A) اندازه گیری شده در دمای °C 20-25 با باتری قابل شارژ ProCORE18V 8.0Ah		
(B) بسته به نوع باتری کاربردی		
(C) توان محدود برای دمای °C <0		
(D) دستگاههای همرا بایستی با دستگاههای Bluetooth-Low Energy (Version 4.2) متناسب باشند و Generic Access Profile (GAP) را تحت پوشش قرار دهند.		
(E) میدان دریافت ممکن است برمب شرایط خارجی، به انضمام دستگاه دریافت کننده به شدت تغییر کند. در مکانهای بسته و توسط موانع فلزی (مانند دیوارها، قفسه ها، چمدان ها و غیره) ممکن است میدان دریافت Bluetooth® به طور واضح کمتر شود.		
ابعاد مجاز قطعه کار (حداکثر/حداقل): (رجوع کنید به «ابعاد مجاز برای قطعات کار» صفحه 221)		

نصب

قبل از انجام هر گونه کاری با ابزار برقی (از جمله سرویس، تعویض ابزار و غیره) و همچنین به هنگام حمل و نقل و یا در انبار نگهداری کردن، باتری را از داخل ابزار برقی خارج کنید. در صورت تماس اتفاقی با کلید قطع و وصل، خطر آسیب دیدگی وجود دارد.

محتویات ارسالی

برای این منظور به شرح شرایط ارسال، در ابتدای دفترچه راهنما دقت کنید.



پیش از اینکه این ابزار برقی را برای اولین بار مورد استفاده قرار دهید، کنترل کنید که آیا قطعات مندرج زیر بطور کامل ارسال شده اند:

- اره مورب کشویی با تیغه اره نصب شده (44)
- دکمه تنظیم (12)
- آچار آلن (17)
- آچار آلن (18)
- گیره پچی (19)
- پین SDS (23)
- کیسه جمع آوری تراشه و گرد و غبار

نکته: ابزار برقی را از نظر هر گونه آسیب دیدگی احتمالی کنترل کنید.

قبل از ادامه کار با ابزار برقی، کلیه تجهیزات ایمنی یا قطعات دارای آسیب دیدگی خفیف را از نظر قابلیت کامل انجام کار مقرر و عملکرد بینقص آنها، کنترل کنید. قطعات متحرک باید در خصوص عملکرد بدون عیب و نقص و گیر نکردن و آسیب دیدن آنها مورد بررسی قرار گیرد. برای تضمین در عملکرد صحیح و بدون نقص باید تمامی قطعات بطور صحیح نصب شده و شرایط لازم برای آنها فراهم شده باشد. قطعات و تجهیزات ایمنی آسیب دیده باید به شکلی مطلوب و توسط نمایندگیهای مجاز تعمیر و یا تعویض شوند.

ابزارهای مورد نیاز علاوه بر محتویات ارسالی:

- آچار پیچ گوشتی چهارسو
- آچار تخت (اندازه: 8 میلیمتر)

مشخصات فنی

اره کشویی GCM 18V-305 GDC

3 601 M43 0..		شماره فنی
18	V=	ولتاژ نامی
3000-4000	min ⁻¹	تعداد دور در حالت بدون بار ^(A)
2550	min ⁻¹	تعداد دور در حالت بدون بار در حالت اقتصادی ^(A)
650	nm	نوع لیزر
< 1	mW	کلاس لیزر
1M		انحراف خط لیزر
1,0	mrاد (زاویه کامل)	
26,9-27,8	kg	وزن مطابق با استاندارد EPTA-Procedure ^{(B)01:2014}
0 ... +35	°C	دمای توصیه شده محیط هنگام شارژ
-20 ... +50	°C	دمای مجاز محیط هنگام کار ^(C) و هنگام انبار کردن
GBA 18V... ProCORE18V...		باتری های قابل شارژ توصیه شده
GAL 18... GAX 18... GAL 36...		شارژرهای توصیه شده
انتقال اطلاعات Bluetooth®		
4.2 Bluetooth ^(D) (Low Energy)		
8	s	فاصله سیگنال
30	m	حداکثر دامنه سیگنال ^(E)
اندازه تیغه اره های مناسب		
305	mm	قطر تیغه اره
1,7-2,6	mm	ضخامت تیغه اره
3,2	mm	حداکثر عرض برش

خارج کنید. هنگام انجام این کار از اعمال فشار خودداری کنید.

نشانه‌گر وضعیت شارژ باتری

چراغ‌های سبز LED نشانگر وضعیت شارژ باتری، وضعیت شارژ باتری را نشان می‌دهند. به دلایل ایمنی، فراخوانی وضعیت شارژ باتری تنها در حالت توقف ابزار برقی ممکن است.

دکمه را جهت پدیدار شدن نشانگر وضعیت شارژ (3) یا وضعیت شارژ فشار دهید. این کار هنگامی که باتری برداشته شده باشد نیز ممکن است. چنانچه پس از فشردن دکمه نشانگر وضعیت شارژ هیچ LED روشن نشود، باتری خراب است و باید تعویض گردد.

نکته: وضعیت شارژ باتری نیز در (User Interface 3)) نشان داده می‌شود.

نوع باتری GBA 18V...



LED ها	ظرفیت
3 چراغ ممتد سبز	100-60 %
2 چراغ ممتد سبز	60-30 %
1 چراغ ممتد سبز	30-5 %
1 چراغ چشمک زن سبز	5-0 %

نوع باتری ProCORE18V...



LED ها	ظرفیت
5 چراغ ممتد سبز	100-80 %
4 چراغ ممتد سبز	80-60 %
3 چراغ ممتد سبز	60-40 %
2 چراغ ممتد سبز	40-20 %
1 چراغ ممتد سبز	20-5 %
1 چراغ چشمک زن سبز	5-0 %

نصب قطعات تکی

- با احتیاط بسته بندی ها را از دستگاه برقی و قطعات متعلقه و ملحقات ارسالی جدا کنید.
- همه بسته بندی ها را از دستگاه برقی و قطعات متعلقه و ملحقات ارسالی جدا کنید.

نصب تیغه دکمه تثبیت (رجوع شود به تصویر a)

- دکمه تثبیت (12) را در سوراخ مربوط بالای اهرم (13) بیچایید.

دکمه تثبیت (12) را همواره پیش از شروع اهرم کاری، محکم کنید. در غیر اینصورت امکان گیر کردن تیغه اهرم در قطعه کار وجود دارد.

- آچار رینگ، تخت و بکس (اندازه ها: 10 میلیمتر و 17 میلیمتر)

ماژول GCY 42® Low Energy Bluetooth را فعال کنید

جهت دریافت اطلاعات درباره Low Energy Module, Bluetooth GCY 42

دفتربه راهنمای مربوطه را بخوانید.

فعالسازی باتری دکمه‌های

- قاب Low Energy Module GCY 42® Bluetooth (31) را جدا کنید.

- عایق بین باتری دکمه ای و Low Bluetooth GCY 42 Energy Module را جدا کنید.

- قاب (31) را بندید تا خاک به داخل نفوذ نکند.

درپوش Low Energy Module® Bluetooth GCY 42 روی ابزار برقی را مثلا با یک پیچگوشتی یا سکه بزرگ درآورید . در صورت استفاده از سایر اشیاء نامناسب ممکن است بخش الکترونیک یا درپوش آسیب ببیند.

شارژ کردن باتری قابل شارژ تنها شارژرهای ذکر شده در مشخصات فنی را بکار برید. تنها این دستگاه های شارژ با باتری های لیتیوم-یونی (Li-Ion) ابزار برقی شما منطبق میباشند.

نکته: باتری با شارژ نسبی ارسال می شود. برای دست یافتن به توان کامل باتری، قبل از بکار گیری آن برای اولین بار باید شارژ باتری بطور کامل در دستگاه شارژ تکمیل شود.

باتری های لیتیوم-یونی (Li-Ion) را میتوان همه وقت شارژ نمود، بدون اینکه از طول عمر آن کاسته شود. قطع کردن جریان شارژ آسیبی به باتری نمیرساند.

باتری های لیتیوم-یونی دارای سیستم حفاظت الکترونیکی "Electronic Cell Protection (ECP)" بوده و در برابر خالی شدن حفاظت می شوند. اگر باتری خالی شود، ابزار برقی از طریق کلید حفاظتی بطور اتوماتیک خاموش میشود و دستگاه دیگر حرکت نمیکند.

پس از خاموش شدن اتوماتیک ابزار برقی، از فشار دادن مجدد کلید قطع و وصل خودداری کنید. این میتواند باعث آسیب دیدن باتری شود.

به نکات مربوط به نحوه از رده خارج کردن باتری توجه کنید.

نحوه برداشتن باتری

باتری قابل شارژ (32) دارای دو مرحله قفل می باشد که مانع از بیرون افتادن باتری در اثر فشار ناخواسته روی دکمه آزادسازی باتری قابل شارژ (33) می شود. تا زمانی که باتری در داخل ابزار برقی قرار داشته باشد، توسط یک فنر در موقعیت مناسب نگهداری می شود.

برای برداشتن و خارج کردن باتری دکمه آزادسازی باتری را فشار دهید و باتری را از داخل ابزار برقی

◀ **از تجمع گرد و غبار در محل کار جلوگیری کنید.**
گرد و غبار می توانند به آسانی مشتعل شوند.

- دستگاه مکنده گرد و غبار و تراشه ممکن است در اثر گرد و غبار، تراشه ها، براده ها یا در اثر مکش تکه های کوچک قطعه کار مسدود شود.
- ابزار برقی را خاموش کنید و باتری را درآورید.
- منتظر بمانید تا تیغه اره بطور کامل متوقف بشود.
- علت گرفتگی و انسداد را مشخص نموده و آنرا برطرف کنید.

مکش گرد و غبار توسط مکنده مجزا

- برای ایجاد مکش میتوانید روی آداپتور دستگاه مکش (26) یک شیلنگ مکش گرد و غبار (Ø 35 mm) نیز وصل کنید.
- شیلنگ مکش گرد و غبار را با آداپتور دستگاه مکش (26) متصل کنید.
- دستگاه مکنده باید برای قطعه کار مورد نظر مناسب باشد.

برای مکش گرد و غباری که برای سلامتی مضرند و سرطان زا هستند و یا برای مکش تراشه های خشک باید از یک دستگاه مکنده مخصوص استفاده کنید.

تمیز کردن سر مکنده

- برای تضمین مکش بهینه باستی آداپتور مکش (26) مرتب تمیز شود.
- آداپتور مکش (26) را چرخان از محل خروجی تراشه (24) بیرون بکشید.
- تکه های شکسته قطعه کار و تراشه ها را جدا کنید.
- سر مکنده را دوباره روی محافظ تراشه فشار دهید تا بالای رینگ نگهدارنده جا بیفتد.

تعویض تیغه اره

- ◀ **قبل از انجام هر گونه کاری با ابزار برقی (از جمله سرویس، تعویض ابزار و غیره) و همچنین به هنگام حمل و نقل و یا در انبار نگهداری کردن، باتری را از داخل ابزار برقی خارج کنید.** در صورت تماس اتفاقی با کلید قطع و وصل، خطر آسیب دیدگی وجود دارد.

◀ **به هنگام مونتاز تیغه اره از دستکش ایمنی استفاده کنید.** در تماس با تیغه اره خطر آسیب دیدگی و جراحت وجود دارد.

فقط از تیغه های اره ای استفاده کنید که حداکثر سرعت مجاز آنها از سرعت در حالت آزاد (بدون بار) ابزار برقی شما بیشتر باشد.

فقط از تیغه های اره ای استفاده کنید که دارای مشخصات و ارقام فنی مندرج در این دستورالعمل کاری باشند و طبق استاندارد EN 847-1 کنترل و آزمایش شده و مطابق آن علامتگذاری شده باشند.

فقط از تیغه های اره ای استفاده کنید که توسط سازنده این ابزار برقی توصیه شده است و همچنین برای جنس قطعه کار مورد نظر مناسب باشد. این از داغ شدن بیش از حد دندان های اره هنگام اره کاری جلوگیری می کند.

نحوه نصب در محل ثابت یا متغیر

◀ **برای تضمین استفاده مطمئن از این ابزار برقی، باید ابزار برقی را پیش از شروع به کار روی یک سطح صاف و ثابت کاری (بعنوان مثال روی یک میز کار) نصب کنید.**

نصب بر روی میز کار (رجوع کنید به تصویر b1)

- ابزار برقی را به وسیله پیچهای اتصال مناسب روی سطح کار محکم کنید. سوراخهای (9) بدین منظور مورد استفاده قرار میگیرند.

یا

- ابزار برقی را به وسیله یک گیره پیچی معمولی موجود در بازار، از محل پایههای دستگاه به سطح کار محکم کنید.

نحوه نصب بر روی میز کار Bosch

(رجوع کنید به تصویر b2)

GTA 2600, GTA 2500 Compact, GTA 2500 W, GTA 3800

میز کار GTA بوش با قابلیت تنظیم ارتفاع پایهها، استقرار ابزار برقی را بر روی هر سطحی امکان پذیر میسازد. پایه های قطعه کارمیز کار، جهت پشتیبانی هنگام کار با قطعات بلند مورد استفاده قرار میگیرند.

لطفاً کلیه نکات ایمنی و دستورالعمل های

پیوسته شده در رابطه با میز کار را بدقت مطالعه کنید. اشتباهات ناشی از عدم رعایت این نکات و دستورالعمل های ایمنی، ممکن است باعث برق گرفتگی، حریق و یا سایر جراحات های شدید شود.

پیش از نصب ابزار برقی، ابتدا میز کار را

بدرستی نصب و مستقر کنید. مونتاز صمیم و استقرار کامل و بدون ایراد میز کار، برای جلوگیری از در هم شکستن آن بسیار پر اهمیت است. ابزار برقی را در موقعیت حمل و نقل بر روی میز کار نصب کنید.

مکش گرد، براده و تراشه

- گرد و غبار موادی مانند رنگ های دارای سرب، بعضی از چوب ها، مواد معدنی و فلزات میتوانند برای سلامتی مضر باشند. دست زدن و یا تنفس کردن گرد و غبار ممکن است باعث بروز آلرژی و یا بیماری مجاری تنفسی شخص استفاده کننده و یا افرادی که در آن نزدیکی میباشند، بشود.
- گرد و غبارهای مخصوصی مانند گرد و غبار درخت بلوط و یا درخت راش سرطان زا هستند، بخصوص ترکیب آنها با سایر موادی که برای کار بر روی چوب (کرومات)، مواد برای محافظت از چوب) بکار برده میشوند. فقط افراد متخصص مجازند با موادی که دارای آزرست میباشند کار کنند.
- حتی الامکان از یک دستگاه مکش مناسب و درخور ماده (قطعه کار) استفاده کنید.
- توجه داشته باشید که محل کار شما از تهویه هوای کافی برخوردار باشد.
- توصیه میشود از ماسک تنفسی ایمنی با درجه فیلتر P2 استفاده کنید.

به قوانین و مقررات معتبر در کشور خود در رابطه با استفاده از مواد و قطعات کاری توجه کنید.

نصب با پیچ آلن (رجوع کنید به تصاویر c1-c4)

نحوه باز کردن و برداشتن تیغه اره

- ابزار برقی را در وضعیت آماده برای انجام کار قرار دهید.
- حفاظ ایمنی متمرک (5) را به عقب بچرخانید و آن را در این موقعیت نگه دارید.
- پیچ آلن (54) را با آچار آلن (4 میلیمتر) (17) بچرخانید و بطور همزمان قفل کننده محور دستگاه (53) را فشار دهید تا جا بیفتد.
- قفل کننده محور دستگاه (53) را فشرده نگه دارید و پیچ آلن (54) را در جهت چرخش عقربه های ساعت (رزوه چپ!) به بیرون بچرخانید.
- فلنج مهار (55) را بردارید.
- تیغه اره (44) را جدا کنید.
- حفاظ ایمنی متمرک را دوباره آهسته به سمت پایین هدایت کنید.

نحوه نصب کردن تیغه اره

◀ هنگام نصب تیغه اره توجه داشته باشید که جهت برش (تیزی) دندان های تیغه اره (جهت فلش روی تیغه اره)، با جهت فلش روی قاب محافظ مطابقت داشته باشد!

- در صورت لزوم پیش از تنظیم، تمام قطعات نصب را تمیز کنید.
- حفاظ ایمنی متمرک (5) را به عقب برانید و آن را در این موقعیت نگه دارید.
- تیغه اره جدید را روی فلاشر مهار داخلی (56) قرار دهید.
- فلاشر مهار (55) و پیچ آلن (54) را قرار دهید. قفل کننده محور دستگاه (53) را فشار دهید تا جا بیفتد و پیچ آلن را خلاف جهت عقربه های ساعت سفت کنید.
- حفاظ ایمنی متمرک را دوباره آهسته به پایین برانید.

نصب با پین SDS (رجوع کنید به تصویر d)

- ◀ در مورد برش های مورب عمودی و استفاده از پین SDS (23) باید قبل از اره کاری، از تنظیم بودن خط کش تعیین کننده عمق سوراخ (28) اطمینان حاصل کنید تا پین SDS هیچگاه نتواند با سطح قطعه کار تماس پیدا کند. این امر از آسیب دیدن پین SDS و/یا قطعه کار جلوگیری می کند.

نحوه جدا کردن تیغه اره

- ابزار برقی را در وضعیت آماده برای انجام کار قرار دهید.
- حفاظ ایمنی متمرک (5) را به عقب بچرخانید و آن را در این موقعیت نگه دارید.
- پین SDS (23) را بچرخانید و همزمان قفل کننده محور دستگاه (53) را فشار دهید تا جا بیفتد.
- قفل کننده محور دستگاه (53) را فشرده نگه دارید و پین SDS (23) در جهت چرخش عقربه های ساعت باز و جدا کنید (رزوه چپ!).
- فلنج مهار (55) را بردارید.
- تیغه اره (44) را جدا کنید.
- حفاظ ایمنی متمرک را دوباره آهسته به سمت پایین هدایت کنید.

نحوه نصب کردن تیغه اره

◀ هنگام نصب تیغه اره توجه داشته باشید که جهت برش (تیزی) دندان های تیغه اره (جهت فلش روی تیغه اره)، با جهت فلش روی قاب محافظ مطابقت داشته باشد!

- در صورت لزوم، پیش از نصب تمام قطعات نصب را تمیز کنید.
- حفاظ ایمنی متمرک (5) را به عقب بچرخانید و آن را در این موقعیت نگه دارید.
- تیغه اره جدید را روی فلنج مهار داخلی (56) قرار دهید.
- فلنج مهار (55) و پین SDS (23) را قرار دهید. قفل کننده محور دستگاه (53) را فشار دهید تا جا بیفتد و پین SDS را خلاف جهت چرخش عقربه های ساعت محکم کنید.
- حفاظ ایمنی متمرک را دوباره آهسته به سمت پایین هدایت کنید.

طرز کار با دستگاه

◀ قبل از انجام هر گونه کاری با ابزار برقی (از جمله سرویس، تعویض ابزار و غیره) و همچنین به هنگام حمل و نقل و یا در انبار نگهداری کردن، درونی را از داخل ابزار برقی خارج کنید. در صورت تماس اتفاقی با کلید قطع و وصل، خطر آسیب دیدگی وجود دارد.

قفل ایمنی حمل و نقل

(رجوع کنید به تصویر A)

قفل ایمنی حمل و نقل (35) امکان جابجایی راحت ابزار برقی را، در هنگام حمل و نقل آن به نقاط مختلف کاری، برای شما فراهم میسازد.

نحوه آزاد سازی ابزار برقی (وضعیت کاری)

- بازوی محرک (34) واقع روی دسته (1) را کمی به پایین برانید تا از فشار روئی ایمنی حمل و نقل (35) بکاهید.
- ایمنی حمل و نقل (35) را کاملا به بیرون بکشید.
- بازوی محرک (34) را دوباره آهسته به بالا برانید.

نحوه ایمن نمودن ابزار برقی (وضعیت حمل و نقل و حرکت)

- بازوی کشویی (34) را بطور کامل به طرف عقب برانید و آن را در این وضعیت تثبیت کنید.
- بازوی کشویی را آنقدر پایین برانید تا قفل ایمنی حمل و نقل (35) بطور کامل به داخل فشرده شود.
- سایر نکات: (رجوع کنید به «رجوع کنید به تصویر Z»)، صفحه 223)

قفل کردن بازوی محرک

- مکانیسم لغزنده بازوی محرک (34) را می توان به کمک اهرم نگهدارنده (25) قفل کرد. در این حالت دو وضعیت برای بازوی محرک امکان پذیر است:
- بازوی محرک کاملا به عقب رانده شده است (برای برشهای مورب)
- بازوی محرک کاملا به جلو کشیده شده است (برای حالت حمل و نقل کامل)

- مکانیسم محرک هم اکنون کاملاً فعال است.
- اهرم نگهدارنده (25) را به بالا بکشید تا گوه نگهدارنده بین هر دو قسمت انعطاف پذیر پایینی بازوی محرک جای گیرد.
- بازوی محرک به جلو رانده شده (34) اینگونه قفل می شود.

نحوه آماده سازی برای کار

گسترش دادن میز اهر (رجوع شود به تصویر C)

- قطعه های کاری طویل را باید توسط پایه در زیر قسمت انتهایی باز آنها و یا مانند آن خوبی مهار کرد.
- میز اهر را می توان به کمک میز های اضافی اهر (8) به طرف چپ یا راست گسترش داد.
- اهرم نگهدارنده (57) را به درون برانید.
- میز اضافی (8) را به اندازه طول دلخواه به بیرون بکشید (بیشینه 250 میلی متر).
- جهت ثابت کردن میز اضافی اهر، اهرم نگهدارنده (57) دوباره به طرف بیرون برانید.

حرکت دادن خط کش راهنما (رجوع کنید به تصاویر E-D)

- هنگام اهر کاری زاویه های مورب افقی و/یا عمودی باید برحسب جهت برش، خط کش راهنمای قابل تنظیم طرف چپ و راست (6) را به بیرون بکشید و یا بطور کامل جدا کنید.

خارج کردن بازوی محرک از وضعیت ایمنی (رجوع کنید به تصویر B1)

- پس از خارج کردن بازوی محرک (34) مکانیسم لغزنده بازوی محرک آماده کار است.
- اهرم نگهدارنده (25) را تا انتها به پایین بکشید.
- گوه نگهدارنده ی اهرم نگهدارنده، هر دو قسمت انعطاف پذیر پایینی بازوی محرک را آزاد می کند.

ایمن کردن بازوی محرک (رجوع کنید به تصویر B2)

- بازوی محرک کاملاً به عقب رانده شده است:
- بازوی محرک (34) را تا انتها به عقب بکشید.
- هر دو قسمت انعطاف پذیر بالایی بازوی محرک هم اکنون ثابت و بسته هستند.
- اهرم نگهدارنده (25) را به بالا بکشید تا گوه نگهدارنده بین هر دو قسمت انعطاف پذیر پایینی بازوی محرک جای گیرد.
- بازوی محرک به عقب رانده شده (34) اینگونه قفل می شود.
- بازوی محرک کاملاً به جلو کشیده شده است:
- بازوی محرک (34) را تا انتها به جلو بکشید.
- هنگام اهر کاری زاویه های مورب افقی و/یا عمودی باید برحسب جهت برش، خط کش راهنمای قابل تنظیم طرف چپ و راست (6) را به بیرون بکشید و یا بطور کامل جدا کنید.

	زاویه مورب افقی	زاویه مورب عمودی
- پیچ قفل کننده (58) را شل کنید. - خط کش راهنمای قابل تنظیم طرف چپ (6) را بطور کامل به طرف بیرون بکشید.	$\leq 44^\circ$ (راست/چپ)	$0^\circ - 47^\circ$ (چپ)
- پیچ قفل کننده (58) را شل کنید. - خط کش راهنمای قابل تنظیم طرف چپ (6) را بطور کامل به طرف بیرون بکشید. - خط کش راهنمای قابل تنظیم را به طرف بالا بلند کنید. - پیچ قفل کننده (58) را جدا کنید.	$\geq 45^\circ$ (راست/چپ)	$0^\circ - 47^\circ$ (چپ)
- پیچ قفل کننده (58) را شل کنید. - خط کش راهنمای قابل تنظیم طرف راست (6) را بطور کامل به بیرون بکشید. - خط کش راهنمای قابل تنظیم را به طرف بالا بلند کنید.	$\leq 44^\circ$ (راست/چپ)	$0^\circ - 47^\circ$ (راست)
- پیچ قفل کننده (58) را شل کنید. - خط کش راهنمای قابل تنظیم طرف راست (6) را بطور کامل به بیرون بکشید. - خط کش راهنمای قابل تنظیم را به طرف بالا بلند کنید.	$\geq 45^\circ$ (راست/چپ)	$0^\circ - 47^\circ$ (راست)

تثبیت قطعه کار (رجوع کنید به تصویر G)

- برای تضمین حداکثر ایمنی کاری باید قطعه کار را همواره خوب مهار کنید.
- از کار روی قطعات کوچکی که قابل مهار کردن نیستند، خودداری کنید.
- قطعه کار را محکم به گونیا (7) و (6) فشار دهید.
- گیره پیچی ارسالی (19) را در سوراخهای (61) تعبیه شده قرار دهید.
- پیچ خروسکی (61) را شل کنید و گیره پیچی را با قطعه کار مطابقت دهید. سپس پیچ خروسکی را مجدداً محکم کنید.
- میله رزوه دار (63) را سفت و به این ترتیب قطعه کار را تثبیت کنید.

نحوه آزاد کردن قطعه کار

- برای شل کردن گیره پیچی، میله رزوه دار (63) را خلاف جهت عقربه ساعت بچرخانید.

تنظیم کاهندگی بازوی کشویی

(رجوع کنید به تصویر F)

- مکانیسم کشویی بازوی کشویی (34) از طرف شرکت از پیش تنظیم شده است و به هنگام ارسال ابزار برقی دچار کاهندگی نشده است.
- شما می توانید کاهندگی مکانیسم کشویی را بطور فردی روی کاهنده (59) تنظیم کنید:
- سخت - حرکات کنترل شده در حین کار؛
- نرم - برش های سریع اهر.
- هر دو پیچ تنظیم (60) را با آچار آلن (mm4) (17) برای کاهندگی نرم تر باز کنید
- یا
- هر دو پیچ تنظیم (60) را برای یک کاهندگی سخت تر سفت کنید.

- بازوی کشویی (34) را در این وضعیت نگهدارید و اهرم مهار (14) را دوباره سفت کنید.
نیروی نگهدارندگی اهرم مهار باید موقعیت بازوی کشویی را در هر زاویه مورب عمودی بطور ایمن نگه دارد.

**تنظیم محدوده زاویه مورب عمودی (0° تا 45°)
(رجوع کنید به تصویر J)**

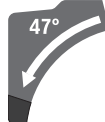


- خط کش راهنمای قابل تنظیم راست (6) را بطور کامل به بیرون بکشید.
- اهرم مهار (14) را باز کنید.
- بازوی کشویی (34) روی دسته (1) را از حالت 0° کمی به چپ برگردانید و دستگیره چرخشی (43) را بچرخانید تا محدوده زاویه مورب دلفواه عمودی نشان داده شود.
- بازوی کشویی (34) را روی دسته (1) را به راست برانید تا نشانگر زاویه (21) زاویه مورب دلفواه را نشان دهد.
- بازوی کشویی (34) را در این وضعیت نگهدارید و اهرم مهار (14) را دوباره محکم کنید.
نیروی نگهدارندگی اهرم مهار باید موقعیت بازوی کشویی را در هر زاویه مورب عمودی بطور ایمن نگه دارد.

تنظیم زاویه برش فارسی عمودی استاندارد 0°

برای تنظیم رامت زاویه برش فارسی عمودی **L** استاندارد 0°، دکمه چرخش (43) در محدوده زاویه برش فارسی چپ قرار می گیرد.
- بازوی محرک (34) را از راست روی حالت 0° برانید.

تنظیم محدوده زاویه برش فارسی عمودی (-47° تا +47°)



- هردو خط کش راهنمای قابل تنظیم (6) را بطور کامل به بیرون بکشید.
- اهرم مهار (14) را باز کنید.
- بازوی کشویی (34) روی دسته (1) را از حالت 0° کمی به چپ برگردانید و دستگیره چرخشی (43) را بچرخانید تا محدوده زاویه مورب دلفواه نشان داده شود.
- بازوی کشویی (34) روی دسته (1) را به چپ یا راست برانید تا نشانگر زاویه (37) یا (21) زاویه مورب عمودی دلفواه را نشان دهد.
- بازوی کشویی (34) را در این وضعیت نگهدارید و اهرم مهار (14) را دوباره محکم کنید.
نیروی نگهدارندگی اهرم مهار باید موقعیت بازوی کشویی را در هر زاویه مورب عمودی بطور ایمن نگه دارد.

نحوه تنظیم زاویه برش فارسی افقی

تنظیم زاویه های فارسی افقی استاندارد (رجوع کنید به تصویر H)

برای تنظیم سریع و دقیق، زاویه برشهای مورب افقی، که اغلب مورد استفاده قرار میگیرند، این زوایا به صورت شیارهایی (15) بر روی میز اره از پیش در نظر گرفته شدهاند:

چپ	راست
0°	
45°; 31,6°; 22,5°; 15°	60°; 45°; 31,6°; 15°

- دکمه تنظیم (12) را در صورت محکم بودن، شل کنید.
- اهرم (13) را بکشید و میز اره (42) را تا فرورفتگی دلفواه به چپ یا راست بچرخانید.
- اهرم تنظیم زاویه فارسی بر را مجدداً رها کنید.
- اهرم باید کاملاً داخل بریدگی مربوطه جا بیفتد.
- دکمه تنظیم (12) را دوباره سفت کنید.

تنظیم زاویه های فارسی افقی استاندارد دلفواه (رجوع کنید به تصویر I)

زاویه برش فارسی افقی را میتوان در یک محدوده از زاویه 52° (از سمت چپ) تا زاویه 60° (از سمت راست) تنظیم کرد.
- دکمه تنظیم (12) را در صورت محکم بودن، شل کنید.
- اهرم (13) را بکشید و همزمان گیره قفلکننده (11) را فشار دهید تا در شیار مربوط جا بیفتد.
اینگونه میز اره، آزادانه حرکت می کند.
- میز اره (42) را از محل دکمه تنظیم به سمت چپ یا سمت راست بچرخانید، تا نشانگر زاویه (64) ، زاویه برش فارسی افقی مورد نظر را نشان بدهد.
- دکمه تنظیم (12) را دوباره سفت کنید.
- جهت باز کردن دوباره اهرم (13) (برای تنظیم زاویه برش فارسی استاندارد)، آن را به بالا بکشید.
گیره قفلکننده (11) به حالت اولیه خود می پرد و اهرم (13) می تواند دوباره در فرورفتگی (15) جا بیفتد.

نحوه تنظیم زاویه برش فارسی عمودی

زاویه برش فارسی عمودی را میتوان در یک محدوده از زاویه 47° (از سمت چپ) تا زاویه 47° (از سمت راست) تنظیم کرد.
برای تنظیم دقیق و سریع زاویه های برش فارسی عمودی، نگهدارنده هایی برای زاویه های 0°، 22,5°، 45° و 47° در نظر گرفته شده اند.

تنظیم محدوده زاویه برش فارسی (0° تا 45°)



- خط کش راهنمای قابل تنظیم چپ (6) را بطور کامل به طرف بیرون بکشید.
- اهرم مهار (14) را باز کنید.
- بازوی کشویی (34) روی دسته (1) را به چپ برانید تا نشانگر زاویه (37) زاویه مورب دلفواه عمودی را نشان دهد.

تنظیم زاویه برش فارسی عمودی استاندارد (K °22,5)

دکمه تنظیم (38) را کاملاً به بیرون بکشید و آن را 90° بچرخانید. سپس بازوی محرک (34) روی دسته (1) را برانید تا بازوی محرک به طور محسوس جا بیافتد.

تنظیم کردن زاویه برش مورب عمودی و افقی

راه اندازی و نحوه کاربرد دستگاه

قرار دادن باتری

تنها از باتری های لیتیوم-یونی (Li-ion) اصل ساخت Bosch استفاده کنید. ولتاژ این باتری ها باید با اندازه ذکر شده روی برچسب دستگاه منطبق باشد. استفاده از باتری های متفرقه میتواند منجر به جراحات و حریق گردد.

باتری شارژ شده (32) را تا زمانی که از قفل شدن باتری اطمینان حاصل کنید در محفظه باتری برانید.

روشن کردن (رجوع کنید به تصویر L)

برای روشن کردن ابزار برقی ابتدا قفل ایمنی کلید روشن خاموش (2) را به وسط هدایت کنید و سپس کلید روشن/خاموش (65) را فشار داده و آن را نگهدارید.

نکته: بنا به دلایل ایمنی، کلید قطع و وصل (65) را نمی توان تثبیت و قفل کرد، بلکه آنرا باید در بین کار همواره در حالت فشرده نگهداشت.

نمایشگرهای وضعیت

خاموش کردن
- برای خاموش کردن کلید قطع و وصل (65) را رها کنید.

حالت اقتصادی

اگر ابزار برقی در حالت اقتصادی ذخیره انرژی کار کند، ممکن است زمان کار باتری تا 20% افزایش یابد.

اگر حالت اقتصادی فعال باشد، در نشانگر درجه سرعت/حالت (49) علامت E نشان داده میشود. علاوه بر این نشانگر حالت اقتصادی نیز روشن میشود (47).

User Interface (رابط کاربری)

User Interface (3) جهت انتخاب سرعت و نیز نمایش وضعیت ابزار برقی کار میکند.

انتخاب سرعت

حالت اقتصادی و 3 درجه سرعت از پیش تنظیم شده است.

توسط دکمه انتخاب سرعت (48) میتوانید سرعت مورد نیاز را همچنین بهنگام کار انتخاب نمود.

درجه سرعت	سرعت [min ⁻¹]
اقتصادی	2550
1	3000
2	3500
3	4000

راه حل	معنی/دلیل	نشانگر وضعیت شارژ باتری (User Interface) (46)
-	باتری شارژ شده است	سبز (2 تا 5 خط)
باتری را زود تعویض یا شارژ کنید	باتری تقریباً خالی است	زرد (1 خط)
باتری را تعویض یا شارژ کنید	باتری خالی است	قرمز (1 خط)

راه حل	معنی/دلیل	نشانگر دما (52)
بگذارید ابزار برقی در حالت بدون بار کار کند و خنک شود.	وضعیت دما هشدار دهنده است (موتور، الکترونیک، باتری)	زرد
بگذارید ابزار برقی خنک شود	ابزار برقی زیاد داغ است و خاموش میشود	قرمز

راه حل	معنی/دلیل	نشانگر گوشی هوشمند (50) و نشانگر وضعیت ابزار برقی (51)
برای اطلاعات بیشتر به Bosch Toolbox App رجوع کنید یا اجازه سرویس شود	یادآوری سرویس	زرد

راه حل	معنی/دلیل	نشانگر وضعیت ابزار برقی (51)
-	وضعیت OK	سبز
بگذارید ابزار برقی در حالت بدون بار کار کند و خنک شود یا باتری را تعویض و یا شارژ کنید	دما، هشدار دهنده یا باتری تقریباً خالی است	زرد

راه حل	معنی/دلیل	نشانه‌گر وضعیت ابزار برقی (51)
بگذارید ابزار برقی خنک شود یا اینکه باتری را تعویض و یا شارژ کنید	ابزار برقی زیاد داغ است یا باتری خالی است	قرمز
ابزار برقی را خاموش و مجدداً روشن کنید، در صورت لزوم، باتری را برداشته و دوباره نصب کنید.	مفاظت جلوگیری از روشن شدن مجدد فعال شده است	پشمک زن قرمز رنگ

تنها موادی را برش دهید که بر اساس مقررات کاربری مجاز باشند.

تیغه اره را در برابر ضربه محافظت کنید. تیغه اره نباید در معرض هیچگونه فشار جانبی قرار بگیرد. از عملکرد صحیح حفاظ ایمنی متمرک و حرکت آزادانه آن اطمینان حاصل کنید. هنگام هدایت بازوی ابزار به پایین باید حفاظ ایمنی متمرک باز شود. هنگام هدایت بازوی ابزار به بالا باید حفاظ ایمنی متمرک روی تیغه اره دوباره بسته شود و در بالاترین موقعیت بازوی ابزار قفل شود.

علامت گذاری خط برش (رجوع کنید به تصویر M)

دو پرتوی لیزر، خط برش تیغه اره را به شما نشان می دهند. از این طریق می توانید بدون اینکه حفاظ ایمنی متمرک را باز کنید، قطعه کار را جهت اره کردن به دقت در موقعیت برش قرار دهید.

– برای این منظور، پرتوهای لیزر را با کوتاه فشار دادن کلید روشن/خاموش (65) روشن کنید، بدون اینکه قفل ایمنی کلید روشن/خاموش (2) را فشار دهید.

– علامت گذاری خود را روی قطعه کار بین هر دو پرتوی لیزر تنظیم کنید.

تذکر: قبل از اره کردن، نمایش صحیح خط برش را بررسی کنید (رجوع کنید به «تنظیم کردن لیزر»، صفحه 222). ممکن است پرتوهای لیزر به عنوان مثال هنگام استفاده تند، در اثر لرزش تغییر کنند.

حالت کاربر (رجوع کنید به تصویر N)

◀ **از ایستادن و قرار گرفتن در مسیر تیغه اره در سمت جلوی ابزار برقی خودداری نموده و همواره در سمت جانبی (در پهلو) تیغه اره با فاصله بایستید.** از این طریق، بدن شما در برابر پس زدن احتمالی دستگاه محفوظ می ماند.

– دست ها، بازوها و انگشتان خود را از تیغه اره در حال چرخش دور نگهدارید.

– دستان خود را جلوی بازوی ابزار ضربدری روی هم نیاندازید.

تعویض صفحهها (رجوع کنید به تصویر O)

صفحات (10) ممکن است بعد از استفاده طولانی از دستگاه، مستهلک شوند.

صفحه های آسیب دیده را تعویض کنید.

– ابزار برقی را در وضعیت آماده برای انجام کار قرار دهید.

– پیچها (66) را با آچار آلن (18) باز کنید و صفحات قدیمی را خارج کنید.

– صفحه جدید سمت راست را جا گذاری کنید.

– صفحه را با پیچها (66) تا حد ممکن به طرف راست پیچانید به طوری که در تمام مسیر حرکت طولی ممکن، تیغه اره به صفحه تماس پیدا نکند.

عملکرد های ارتباطی

در رابطه با *Bluetooth* Low Energy Module GCY 42 عملکردهای اتصال زیر برای ابزار برقی موجود است:

- ثبت و شفصی سازی
- کنترل وضعیت، اعلام هشدارها
- اطلاعات عمومی و تنظیمات
- مدیریت
- تنظیم مراحل سرعت

جهت دریافت اطلاعات دربار

© Low Energy Module, *Bluetooth*

GCY 42

دفترچه راهنمای مربوطه را بخوانید.

اگر ابزار برقی اطلاعاتی (برای مثال نمایشگر هشدار دما) را توسط فن آوری امواج *Bluetooth*® به دستگاه همراه ارسال کند، نشانهگر گوشی هوشمند (50) روشن میشود.

راهنماییهای عملی

دستورالعمل ها و توضیحات کلی برای اره کاری

◀ **پیچ تثبیت (12) و دسته اهرم (14) را همیشه قبل از ارهکاری سفت کنید.** در غیر اینصورت امکان گیر کردن تیغه اره در قطعه کار وجود دارد.

◀ **پیچ تثبیت (12) و اهرم نگهدارنده را همیشه قبل از اره کاری سفت کنید.** در غیر این صورت امکان گیر کردن تیغه اره در قطعه کار وجود دارد.

◀ **در انجام همه برش ها باید ابتدا کنترل و اطمینان حاصل نمائید، که تیغه اره به هیچ وجه با خط کش راهنما، گیره پیچی یا سایر قطعات دستگاه تماس پیدا نمی کند.** حایل های کمکی احتمالاً مونتاژ شده را بردارید و یا آنها را با لزومات کاری مطابقت بدهید.

◀ **ابزار برقی مجهز به *Bluetooth*® Low Energy Module GCY 42، امواج رادیویی تولید میکند.** به محدودیتهای کار در محل مانند استفاده در هواپیماها یا بیمارستانها توجه کنید.

◀ **در مناطقی که در آنها استفاده از امواج رادیویی *Bluetooth*® مجاز نیست، باید *Bluetooth*® Low Energy Module GCY 42 و باتری دکمه‌ای برداشته شود.**

زیر قسمت انتهایی باز قطعات کاری سنگین و طویل را باید پایه زد و یا به نحوی مهار نمود.

از کار بر روی قطعه کار خمیده و ناصاف خودداری کنید. قطعه کار باید همواره دارای یک لبه صاف جهت قرار دادن کنار خط کش راهنما باشد.

- مراحل مشروح فوق را برای تعویض و نصب صفحه جدید در سمت چپ، تکرار کنید.

ابعاد مجاز برای قطعات کار

ارتفاع x عرض [mm]	زاویه مورب عمودی	زاویه مورب افقی
104 x 341 A) 45 x 400 B) 120 x 200 180 x 40	0°	0°
104 x 240 180 x 20	0°	45° (چپ)
60 x 341	45° (چپ)	0°
40 x 341	45° (راست)	0°
60 x 240	45° (چپ)	45°
40 x 240	45° (راست)	45°

A) با نگهدارنده فاصله افقی (ارتفاع x عرض: 60 mm x 400 mm)

B) با نگهدارنده فاصله عمودی (ارتفاع x عرض: 72 mm x 50 mm)

مداقل قطعات کاری (= تمامی قطعات کاری که می توان آنها را با گیره پیچی ارسالی (19) طرف چپ یا راست تیغه اهره محکم کرد): 160 mm x 35 mm (طول x عرض)

مداکتر عمق برش (0°/0°): 120 mm

اره کردن

اره کردن بدون حرکت کشویی (بریدن) (رجوع کنید به تصویر P)

- بازوی کشویی (34) را بطور کامل به طرف عقب برانید و آن را در این وضعیت تثبیت کنید.
- مطمئن شوید که خط کش تعیین عمق سوراخ (28) به داخل فشرده شده باشد و پیچ تنظیم (27) هنگام حرکت بازوی کشویی بدون تماس با خط کش تعیین عمق سوراخ در شیار جای بیفتد.
- قطعه کار را متناسب با ابعاد مربوطه به خوبی تثبیت کنید.
- در صورت نیاز زاویه مورب دلخواه (افقی و/یا عمودی) را تنظیم کنید.
- ابزار برقی را روشن کنید.
- بازوی کشویی (34) را با دسته (1) آهسته به پایین برانید.
- قطعه کار را با کششی یکنواخت اهره کنید.
- ابزار برقی را خاموش کنید و منتظر بمانید که تیغه اهره به طور کامل متوقف شود.
- بازوی کشویی (34) را دوباره آهسته به بالا برانید.

ارهکاری با حرکت کشویی (رجوع کنید به تصویر Q)

- **دسته را قبل از روشن کردن در کل طول مرحله کار محکم نگهدارید. هنگام اهره کاری بازوی محرک را تحت کنترل مناسب حرکت دهید.** یک لحظه غفلت هنگام کار با بازوی محرک می تواند جراحات سختی را ایجاد کند.
- بازوی کشویی (34) را از حالت ایمن خارج کنید. کنترل کنید که با کشیدن و راندن بازوی کشویی

- (34) کل مکانیسم کشویی بازوی کشویی کار می کند.
- قطعه کار را متناسب با ابعاد مربوطه به خوبی تثبیت کنید.
- در صورت نیاز زاویه مورب دلخواه (افقی و/یا عمودی) را تنظیم کنید.
- بازوی کشویی (34) را با دسته (1) از خط کش راهنما (7) طوری دور کنید که تیغه اهره جلوی قطعه کار قرار گیرد.
- ابزار برقی را روشن کنید.
- بازوی کشویی (34) را با دسته (1) آهسته به سمت پایین برانید.
- اکنون بازوی کشویی (34) را در جهت خط کش راهنما (7) فشار دهید و قطعه کار را با فشار متعادل اهره کنید.
- ابزار برقی را خاموش کنید و منتظر بمانید که تیغه اهره به طور کامل متوقف شود.
- بازوی کشویی (34) را آهسته به سمت بالا برانید.

اره کردن قطعات کاری با طول یکسان (رجوع کنید به تصویر R)

- جهت اهره کاری راحت قطعات کار دارای طول یکسان می توان قطعه نگهدارنده انتهای قطعه کار (40) (متعلقات) را بکار برد.
- قطعه نگهدارنده انتهای قطعه کار را می توان در هر دو طرف میز کشویی برای گسترش کفی اهره (8) نصب کرد.
- پیچ قفل کننده (39) را باز کنید و قطعه نگهدارنده انتهای قطعه کار (40) را روی پیچ نگهدارنده (67) قرار دهید.
- پیچ ففلکننده (39) را دوباره محکم کنید.
- میز کشویی برای گسترش کفی اهره (8) را به اندازه طول دلخواه تنظیم کنید.
- تنظیم نگهدارنده عمق (شیار انداختن) (رجوع کنید به تصویر S)**
- نگهدارنده عمق را باید در هنگام برش فاق یا در صورت استفاده از نگهدارنده فاصله تغییر داد.
- نگهدارنده عمق (28) را به بیرون برانید.
- بازوی ابزار (34) روی دسته (1) را به حالت دلخواه برانید.
- پیچ تنظیم (27) را آنقدر بر عکس بچرخانید که انتهای پیچ، با نگهدارنده عمق (28) تماس پیدا کند.
- بازوی محرک (34) را دوباره آهسته به بالا برانید.

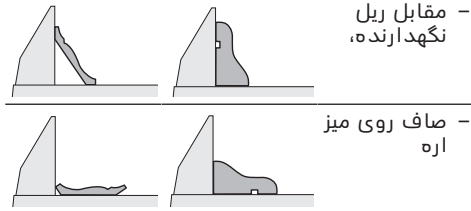
قطعات کاری ویژه

در بردن قطعات کاری خمیده یا قطعات گرد، باید با مهار کردن صحیح از لغزیدن قطعه کار جلوگیری کنید. در خط برش نباید هیچ فاصله یا شکافی مابین قطعه کار، خط کش راهنما و میز اهره وجود داشته باشد. در صورت لزوم باید یک گیره نگهدارنده ویژه درست کنید.

کار روی پروفیل

نوار پروفیل را میتوان به دو طریق مختلف اهره کنید:

نحوه قرار دادن و جاگذاری قطعه کار



- مقابل ریل نگهدارنده،

- صاف روی میز اره

علاوه بر این می توانید برحسب پهنای نوار پروفیل، برش ها را هم با حرکت کشویی و هم بدون حرکت کشویی انجام دهید. همواره ابتدا زاویه مورب تنظیم شده (افقی و/یا عمودی) را روی یک قطعه چوب باقیمانده امتحان کنید.

تنظیم و کنترل تنظیمات پایه

برای تضمین انجام برش های دقیق، باید بعد از کاربرد مستمر ابزار برقی، تنظیمات پایه و اولیه ابزار برقی را کنترل نموده و در صورت لزوم تنظیم و اصلاح کنید.

برای این منظور به تجربه و ابزار ویژه نیاز دارید. تعمیرگاه مجاز و خدمات پس از فروش Bosch این کار را سریع و مطمئن انجام می دهد.

تنظیم کردن لیزر

نکته: جهت آزمایش عملکرد لیزر بایستی ابزار برقی به برق وصل باشد.

◀ **هرگز کلید روشن/خاموش را هنگام تنظیم لیزر (مثلاً هنگام حرکت دادن بازوی ابزار)، فعال نکنید.** روشن شدن ناخواسته ابزار برقی می تواند باعث ایجاد جراحت گردد.

- ابزار برقی را در وضعیت آماده برای انجام کار قرار دهید.

- میز اره (42) را تا شیار (15) 0° بچرخانید. اهرم (13) باید کاملاً بطور ممسوس در داخل شیار قرار بگیرد.

نحوه کنترل (رجوع کنید به تصویر T1)

- یک خط برش مستقیم روی یک قطعه کار رسم کنید.

- بازوی ابزار(34) را با دسته (1) آهسته به پایین برانید.

- قطعه کار را طوری تنظیم کنید که دندان های تیغه اره با خط برش در یک امتداد قرار بگیرند.

- قطعه کار را در این حالت محکم نگهدارید و بازوی محرک را آهسته به بالا برانید.

- قطعه کار را بطور محکم مهار کنید.

- بدین منظور پرتوی لیزر را همراه با کلید روشن کنید.

اشعه های لیزر باید روی کل طول در چپ و راست در همان فاصله از خط برش معین شده روی قطعه کار باشند حتی وقتی بازوی محرک به پایین رانده شود.

تنظیم کردن (رجوع کنید به تصویر T2)

1. تنظیم پرتو لیزر راست:

- پیچ تنظیم راست (68) را با آچار آلن (18) بچرخانید تا پرتو لیزر راست در تمام مسیر با خط برش ثبت شده روی قطعه کار همسطح باشد.

در این حین پرتو لیزر چپ هم حرکت می کند.

یک چرخش در خلاف جهت حرکت عقربه های ساعت، پرتو لیزر را از چپ به راست حرکت می دهد و یک

چرخش در جهت حرکت عقربه های ساعت، پرتو لیزر را از راست به چپ حرکت می دهد.

2. تنظیم پرتو لیزر چپ:

- پیچ تنظیم چپ (68) را با آچار آلن (18) بچرخانید تا پرتو لیزر چپ همان فاصله تا خط برش ثبت شده روی قطعه کار را مانند لیزر راست داشته باشد.

یک چرخش در خلاف جهت حرکت عقربه های ساعت، پرتو لیزر را از چپ به راست حرکت می دهد و یک

چرخش در جهت حرکت عقربه های ساعت، پرتو لیزر را از راست به چپ حرکت می دهد.

تنظیم زاویه برش فارسی عمودی استاندارد 0°

- ابزار برقی را در وضعیت آماده برای حمل و نقل قرار دهید.

- میز اره (42) را تا فرورفتگی (15) برای 0° بچرخانید. اهرم (13) باید کاملاً داخل بریدگی مربوطه جا بیفتد.

نحوه کنترل (رجوع کنید به تصویر U1)

- یک زاویه سنج را روی 90° تنظیم کنید و بر میز اره (42) قرار دهید.

پای زاویه سنج بایستی با تیغه اره (44) روی کل طول مسطح شود.

نحوه تنظیم (رجوع کنید به تصویر U2)

- اهرم نگهدارنده (14) را باز کنید.

- هر دو پیچ تنظیم (69) (دست کم 1 چرخش) را با یک آچار بکس (10 میلیمتر) باز کنید.

- پیچ تنظیم (71) را (حدود 3 چرخش) با آچار آلن (4 میلیمتر) (17) باز کنید.

- پیچ تنظیم (70) را با آچار آلن (4 میلیمتر) (17) آنقدر به درون و بیرون بچرخانید تا پای زاویه سنج با تیغه اره روی کل طول مسطح شود.

- اهرم مهار (14) را دوباره محکم بکشید. سپس پیچ تنظیم (71) و بعد پیچهای تنظیم (69) را دوباره سفت کنید.

چنانچه نشانگر زاویه(21)(37) پس از تنظیم در یک

خط با علامت 0° درجهبندی نیست، پیچ با یک پیچگوشی چهارسو معمولی باز کنید و نشانگر زاویه

(36) را در امتداد علامت 0° تنظیم کنید.

تنظیم زاویه برش فارسی عمودی استاندارد 45° (چپ)

- ابزار برقی را در وضعیت آماده برای انجام کار قرار دهید.

- میز اره (42) را تا فرورفتگی (15) برای 0°

بچرخانید. اهرم (13) باید کاملاً داخل بریدگی مربوطه جا بیفتد.

- ریل نگهدارنده ی قابل تنظیم چپ (6) را بطور

کامل به طرف بیرون بکشید.

- دسته مهار (14) را باز کنید و بازوی محرک روی دسته (1) را تا انتها به چپ (45°) بچرخانید.

نحوه کنترل (رجوع کنید به تصویر V1)

- یک زاویه سنج را روی 45° تنظیم کنید و بر میز اره (42) قرار دهید.

پای زاویه سنج بایستی با تیغه اره (44) روی کل طول مسطح شود.

نحوه تنظیم (رجوع کنید به تصویر V2)

- پیچ تنظیم (72) را با آچار تخت (8 میلیمتر) آنقدر به درون و بیرون بچرخانید تا پای زاویه سنج با تیغه اره روی کل طول مسطح شود.

- اهرم مهار (14) را دوباره محکم بکشید.

چنانچه نشانگر زاویه (37) و (21) پس از تنظیم با علامت زاویه 45 در درجه بندی (36) در یک خط قرار نگیرند، ابتدا تنظیم علامت زاویه 0 برای زاویه برش فارسی عمودی و نشانگرهای زاویه را یکبار دیگر کنترل کنید. سپس تنظیم زاویه برش فارسی عمودی 45° را تکرار کنید.

تنظیم زاویه برش فارسی عمودی استاندارد 45° (راست)

- ابزار برقی را در وضعیت آماده برای انجام کار قرار بدهید.

- میز اره (42) را تا فرورفتگی (15) برای 0° بچرخانید. اهرم (13) باید کاملاً داخل بریدگی مربوطه جا بیفتد.

- ریل نگهدارنده ی قابل تنظیم راست (6) را کاملاً به بیرون بکشید.

- اهرم نگهدارنده (14) را باز کنید.

- بازوی محرک روی دسته (1) را از حالت 0° کمی به چپ برگردانید و دکمه چرخان (43) را بچرخانید تا محدوده زاویه برش فارسی عمودی دلفواه نشان داده شود.

- بازوی محرک روی دسته (1) را تا انتها به راست (45°) بچرخانید.

نحوه کنترل (رجوع کنید به تصویر W1)

- یک زاویه سنج را روی 135° تنظیم کنید و بر میز اره (42) قرار دهید.

پای زاویه سنج بایستی با تیغه اره (44) روی کل طول مسطح شود.

نحوه تنظیم (رجوع کنید به تصویر W2)

- پیچ تنظیم (73) را با آچار تخت (8 میلیمتر) آنقدر به درون و بیرون بچرخانید تا پای زاویه سنج با تیغه اره روی کل طول مسطح شود.

- اهرم مهار (14) را دوباره محکم بکشید.

چنانچه نشانگر زاویه (37) و (21) پس از تنظیم با علامت زاویه 45 در درجه بندی (36) در یک خط قرار نگیرند، ابتدا تنظیم علامت زاویه 0 برای زاویه برش فارسی عمودی و نشانگرهای زاویه را یکبار دیگر کنترل کنید. سپس تنظیم زاویه برش فارسی عمودی 45° را تکرار کنید.

تنظیم درجه بندی برای زاویه برش فارسی افقی

- ابزار برقی را در وضعیت آماده برای انجام کار قرار بدهید.

- میز اره (42) را تا فرورفتگی (15) برای 0° بچرخانید. اهرم (13) باید کاملاً داخل بریدگی مربوطه جا بیفتد.

نحوه کنترل (رجوع کنید به تصویر X1)

- یک زاویه سنج را روی 90° تنظیم کنید و آن را بین ریل نگهدارنده (7) و تیغه اره (44) روی میز اره (42) قرار دهید.

پای زاویه سنج بایستی با تیغه اره (44) روی کل طول مسطح شود.

تنظیم کردن (رجوع کنید به تصویر X2)

- تمامی چهار پیچ اتصال (74) را با آچار آلن (4 mm) (17) و میز اره (42) را همراه با درجه (41) بپیچانید تا ضلع گونیا ی تاشو با تیغه اره روی کل طول همسطح شود.

- پیچها را مجدداً محکم کنید.

چنانچه نشانگر زاویه (64) پس از تنظیم با علامت 0° درجه بندی (41) در یک خط نیست، پیچ (75) را با یک پیچگوشتی چهارسو باز کنید و نشانگر زاویه را در امتداد علامت 0° تنظیم کنید.

تنظیم نیروی نگهدارندگی دسته مهار (14) (رجوع کنید به تصویر Y)

نیروی نگهدارندگی اهرم مهار (14) را میتوان بعداً هم تغییر داد.

نحوه کنترل

- نیروی نگهدارندگی دسته مهار باید جای بازوی محرک را در هر زاویه برش فارسی عمودی ثابت نگهدارد.

نحوه تنظیم

- اهرم نگهدارنده (14) را باز کنید.

- پیچ تنظیم (76) را با یک آچار بکس (17 میلیمتر) در خلاف جهت عقربه های ساعت جهت کاهش نیروی نگهدارندگی و جهت افزایش آن در جهت عقربه های ساعت بچرخانید.

- یک زاویه برش فارسی را تنظیم کنید، دسته مهار (14) را دوباره سفت بکشید و کنترل کنید که نیروی نگهدارندگی بدست آمده است.

(رجوع کنید به تصویر Z)

قبل از حمل و نقل ابزار برقی باید اقدامات زیر انجام شوند:

- بازوی کشویی (34) را بطور کامل به طرف عقب برانید و آن را در این وضعیت تثبیت کنید.

- مطمئن شوید که خط کش تعیین عمق سوراخ (28) به داخل فشرده شده باشد و پیچ تنظیم

(27) هنگام حرکت بازوی کشویی بدون تماس با خط کش تعیین عمق سوراخ در شیار جای بیفتد.

- بازوی کشویی را آنقدر پایین برانید تا قفل ایمنی حمل و نقل (35) بطور کامل به داخل فشرده شود

- میز کشویی برای گسترش کفی اره (8) را بطور کامل به داخل هدایت کنید.

- یک زاویه مورب عمودی را از 0° تنظیم کنید و اهرم مهار (14) را محکم بکشید.

- میز اره (42) را تا انتها به طرف چپ بچرخانید و پیچ تثبیت (12) را بکشید.

- کلیه قطعات و متعلقاتی را که نمیتوان بطور ثابت روی ابزار برقی نصب کرد را بردارید.

شماره فنی

2 608 644 528 **Expert for Wood**
،305 x 2,2/1,6 x 30 mm
60 دندانه

2 608 644 529 **Expert for Wood**
،305 x 2,2/1,6 x 30 mm
96 دندانه

3 601 M43 000: تیغه های اره برای آلومینیوم
2 608 837 782 **Standard for Aluminium**
،305 x 2,4/1,8 x 30 mm
96 دندانه

2 608 644 547 **Expert for Aluminium**
،305 x 2,4/1,8 x 30 mm
96 دندانه

3 601 M43 000: تیغه های اره برای پانل های سیمانی الیاف دار
2 608 644 559 **Expert for Fibre Cement**
،305 x 2,2/1,6 x 30 mm
8 دندانه

خدمات و مشاوره با مشتریان

خدمات مشتری، به سؤالات شما درباره تعمیرات، سرویس و همچنین قطعات یدکی پاسخ خواهد داد. نقشه‌های سه بعدی و اطلاعات مربوط به قطعات یدکی را در تارنمای زیر میبایید:

www.bosch-pt.com

گروه مشاوره به مشتریان Bosch با کمال میل به سؤالات شما درباره محصولات و متعلقات پاسخ می دهند.

برای هرگونه سؤال و یا سفارش قطعات یدکی، حتماً شماره فنی 10 رقمی کالا را مطابق برچسب روی ابزار برقی اطلاع دهید.

ایران

روبرت بوش ایران - شرکت بوش تجارت پارس
میدان ونک، خیابان شهید خدای، خیابان آفتاب
ساختمان مادیران، شماره 3، طبقه سوم.
تهران 1994834571
تلفن: 9821+ 42039000

آدرس سایر دفاتر خدماتی را در ادامه ببایید:
www.bosch-pt.com/serviceaddresses

حمل دستگاه

باتریهای لیتیوم-یونی تابع مقررات حمل کالاهای پر خطر می باشند. کاربر می تواند باتریها را بدون استفاده از روکش در خیابان حمل کند.

در صورت ارسال توسط شخص ثالث (مانند: حمل و نقل هوایی یا زمینی) باید تمهیدات مربوط به بسته بندی و علامتگذاری مورد توجه قرار گیرد. در اینصورت باید حتما جهت آماده سازی قطعه ارسالی به کارشناس حمل کالاهای پر خطر مراجعه کرد.

باتریها را فقط در صورتی ارسال کنید که بدنه آنها آسیب ندیده باشد. اتصالات (کنتاکتهای) باز را بپوشانید و باتری را طوری بسته بندی کنید که در بسته بندی تکان نخورد. در این باره لطفاً به مقررات و آیین نامه های ملی توجه کنید.

- تیغهای اره که مورد استفاده قرار نگرتهاند را در صورت امکان برای حمل و نقل داخل یک محفظه بسته قرار بدهید.

- جهت حمل و نقل از محل تورفتگی جای دست (16) واقع در کنار میز اره استفاده کنید.

◀ **برای حمل و نقل ابزار برقی تنها از تجهیزات حمل و نقل استفاده کنید و هرگز تجهیزات حفاظتی، بازوی کشویی یا دسته را نگیرید.**

مراقبت و سرویس

مراقبت، تعمیر و تمیز کردن دستگاه

◀ **قبل از انجام هر گونه کاری با ابزار برقی (از جمله سرویس، تعویض ابزار و غیره) و همچنین به هنگام حمل و نقل و یا در انبار نگهداری کردن، باتری را از داخل ابزار برقی خارج کنید.** در صورت تماس اتفاقی با کلید قطع و وصل، خطر آسیب دیدگی وجود دارد.

◀ **ابزار الکتریکی و شیارهای تهویه آنرا تمیز نگاه دارید، تا ایمنی شما در کار تضمین گردد.**

حفاظ ایمنی (قاب محافظ) خودکار باید همواره آزادانه قابل حرکت باشد و بطور خودکار بسته شود. از اینرو محدوده حفاظ ایمنی خودکار را همیشه تمیز نگهدارید.

بعد از انجام هر مرحله کار، گرد و غبار و تراشه ها را به وسیله فشار هوا و یا بوسيله یک قلم مو از دستگاه دور کنید.

غلطک هدایت کننده (20) را بطور مرتب تمیز کنید.

متعلقات

شماره فنی

1 609 B05 010 کیسه جمع آوری تراشه و گرد و غبار

0 601 B12 100 میز کار GTA 2500 W

0 601 B12 400 میز کار GTA 2500 Compact

0 601 B12 300 میز کار GTA 2600

0 601 B24 000 میز کار GTA 3800

3 601 M43 000: تیغه های اره برای چوب و مواد مربوط به صفحات فشرده چوبی، پانل ها و زوارها

2 608 837 741 **Standard for Wood**
،305 x 2,2/1,6 x 30 mm
40 دندانه

2 608 837 742 **Standard for Wood**
،305 x 2,2/1,6 x 30 mm
60 دندانه

2 608 837 744 **Standard for Wood**
،305 x 2,2/1,6 x 30 mm
96 دندانه

2 608 644 527 **Expert for Wood**
،305 x 2,2/1,6 x 30 mm
42 دندانه

از رده خارج کردن دستگاه

ابزارهای برقی، باتری ها، متعلقات و بسته بندی ها، باید طبق مقررات حفظ محیط زیست از رده خارج و بازیافت شوند.



ابزار برقی و باتری ها/ باتری های قابل شارژ را داخل زباله دان خانگی نیندازید!



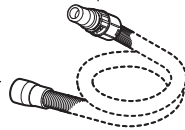
باتریهای شارژی/قلمی:

لیتیوم-یونی:

لطفاً به تذکرات بخش (رجوع کنید به „حمل دستگاه“، صفحه 224) توجه کنید.



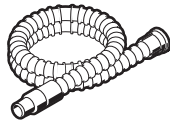
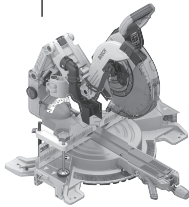
2 607 002 632



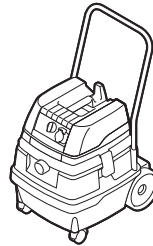
Ø 38 mm:
1 600 A00 0JF (3 m)



GAS 20 L SFC



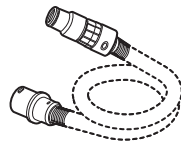
Ø 35 mm:
2 607 002 163 (3 m)
2 607 002 164 (5 m)



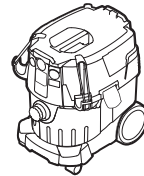
GAS 50 L SFC
GAS 25 L SFC



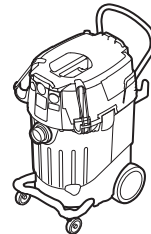
Ø 22 mm:
2 608 000 572 (3 m)
2 608 000 568 (5 m)
Ø 35 mm:
2 608 000 570 (3 m)
2 608 000 566 (5 m)



Ø 22 mm:
2 608 000 571 (3 m)
2 608 000 567 (5 m)
Ø 35 mm:
2 608 000 569 (3 m)
2 608 000 565 (5 m)



GAS 35 L SFC+
GAS 35 L AFC
GAS 35 MAFC



GAS 55 MAFC

2 608 000 585



Ø 35 mm:
2 608 000 658 (1,6 m)



GAS 18V-10 L

Licenses

Copyright © 2004 - 2020, Texas Instruments Incorporated

All rights reserved.

Redistribution and use in source and binary forms, with or without modification, are permitted provided that the following conditions are met:

- Redistributions of source code must retain the above copyright notice, this list of conditions and the following disclaimer.
- Redistributions in binary form must reproduce the above copyright notice, this list of conditions and the following disclaimer in the documentation and/or other materials provided with the distribution.
- Neither the name of Texas Instruments Incorporated nor the names of its contributors may be used to endorse or promote products derived from this software without specific prior written permission.

THIS SOFTWARE IS PROVIDED BY THE COPYRIGHT HOLDERS AND CONTRIBUTORS "AS IS" AND ANY EXPRESS OR IMPLIED WARRANTIES, INCLUDING, BUT NOT LIMITED TO, THE IMPLIED WARRANTIES OF MERCHANTABILITY AND FITNESS FOR A PARTICULAR PURPOSE ARE DISCLAIMED. IN NO EVENT SHALL THE COPYRIGHT OWNER OR CONTRIBUTORS BE LIABLE FOR ANY DIRECT, INDIRECT, INCIDENTAL, SPECIAL, EXEMPLARY, OR CONSEQUENTIAL DAMAGES (INCLUDING, BUT NOT LIMITED TO, PROCUREMENT OF SUBSTITUTE GOODS OR SERVICES; LOSS OF USE, DATA, OR PROFITS; OR BUSINESS INTERRUPTION) HOWEVER CAUSED AND ON ANY THEORY OF LIABILITY, WHETHER IN CONTRACT, STRICT LIABILITY, OR TORT (INCLUDING NEGLIGENCE OR OTHERWISE) ARISING IN ANY WAY OUT OF THE USE OF THIS SOFTWARE, EVEN IF ADVISED OF THE POSSIBILITY OF SUCH DAMAGE.

Copyright © 2009–2020 ARM LIMITED

All rights reserved.

Redistribution and use in source and binary forms, with or without modification, are permitted provided that the following conditions are met:

- Redistributions of source code must retain the above copyright notice, this list of conditions and the following disclaimer.
- Redistributions in binary form must reproduce the above copyright notice, this list of conditions and the following disclaimer in the documentation and/or other materials provided with the distribution.
- Neither the name of ARM nor the names of its contributors may be used to endorse or promote products derived from this software without specific prior written permission.

THIS SOFTWARE IS PROVIDED BY THE COPYRIGHT HOLDERS AND CONTRIBUTORS "AS IS" AND ANY EXPRESS OR IMPLIED WARRANTIES, INCLUDING, BUT NOT LIMITED TO, THE IMPLIED WARRANTIES OF MERCHANTABILITY AND FITNESS FOR A PARTICULAR PURPOSE ARE DISCLAIMED. IN NO EVENT SHALL THE COPYRIGHT OWNER OR CONTRIBUTORS BE LIABLE FOR ANY DIRECT, INDIRECT, INCIDENTAL, SPECIAL, EXEMPLARY, OR CONSEQUENTIAL DAMAGES (INCLUDING, BUT NOT LIMITED TO, PROCUREMENT OF SUBSTITUTE GOODS OR SERVICES; LOSS OF USE, DATA, OR PROFITS; OR BUSINESS INTERRUPTION) HOWEVER CAUSED AND ON ANY THEORY OF LIABILITY, WHETHER IN CONTRACT, STRICT LIABILITY, OR TORT (INCLUDING NEGLIGENCE OR OTHERWISE) ARISING IN ANY WAY OUT OF THE USE OF THIS SOFTWARE, EVEN IF ADVISED OF THE POSSIBILITY OF SUCH DAMAGE.

Copyright © 2011 Petteri Aimonen

This software is provided 'as-is', without any express or implied warranty. In no event will the authors be held liable for any damages arising from the use of this software.

Permission is granted to anyone to use this software for any purpose, including commercial applications, and to alter it and redistribute it freely, subject to the following restrictions:

1. The origin of this software must not be misrepresented; you must not claim that you wrote the original software. If you use this software in a product, an acknowledgment in the product documentation would be appreciated but is not required.
2. Altered source versions must be plainly marked as such, and must not be misrepresented as being the original software.
3. This notice may not be removed or altered from any source distribution.