

Robert Bosch Power Tools GmbH
70538 Stuttgart
GERMANY

www.bosch-pt.com

1 609 92A 407 (2017.12) 0 / 43



1 609 92A 407

GSS 140 Professional

 **BOSCH**

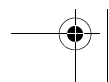
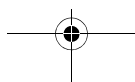
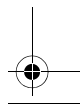
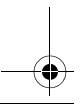
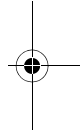
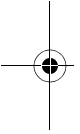
en Original instructions
fr Notice originale
pt Manual original
cn 正本使用说明书
tw 原始使用說明書
th หนังสือคู่มือการใช้งานฉบับต้นแบบ
id Petunjuk-Petunjuk untuk Penggunaan Orisinal

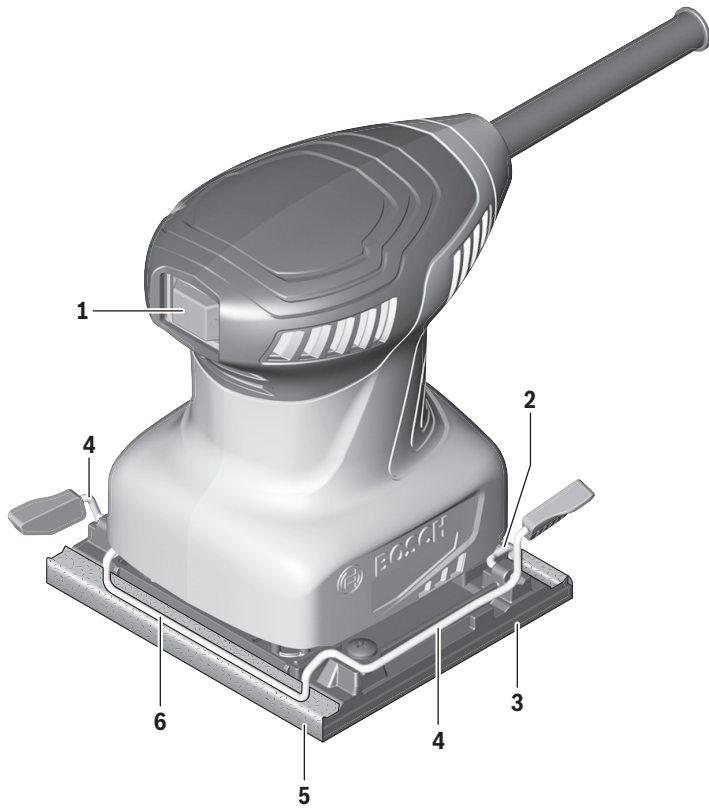
vi Bản gốc hướng dẫn sử dụng
ar تعليمات التشغيل الأصلية
fa دفترچه راهنمای اصلی



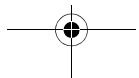
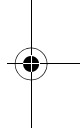
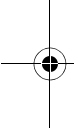


English	Page	5
Français	Page	10
Português	Página	14
中文	页	17
中文	頁	20
ภาษาไทย	หน้า	23
Bahasa Indonesia	Halaman	26
Tiếng Việt	Trang	30
عربي	صفحة	38
فارسی	صفحه	42



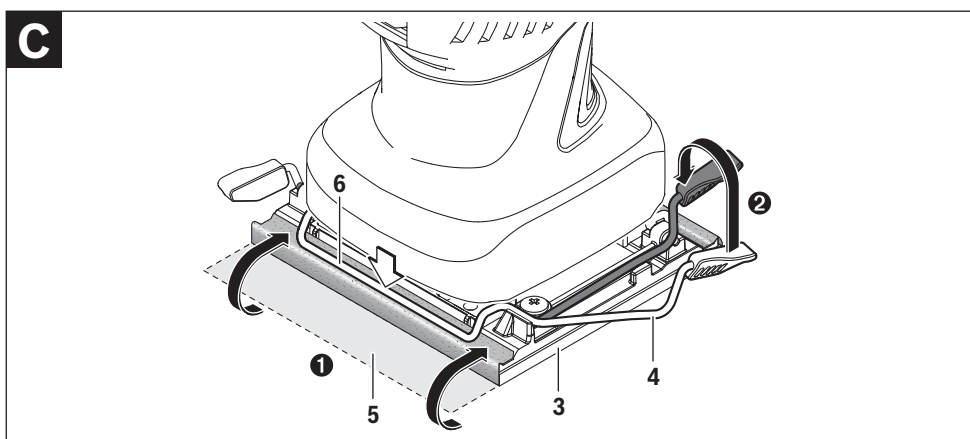
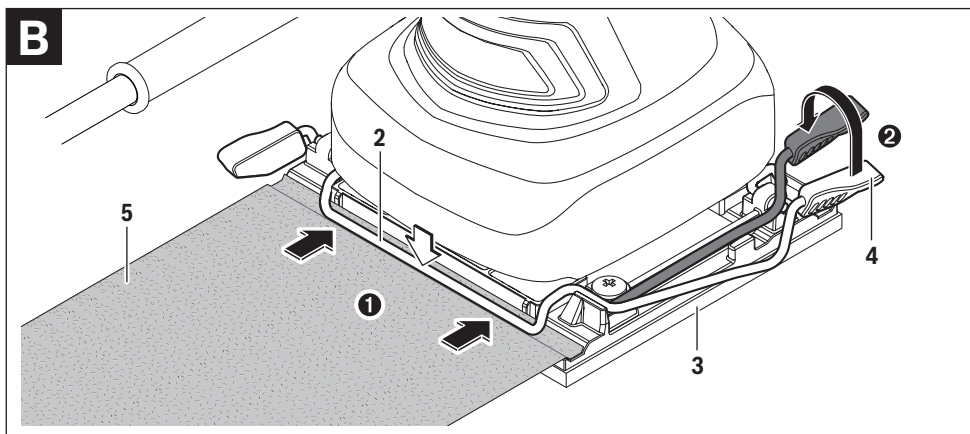
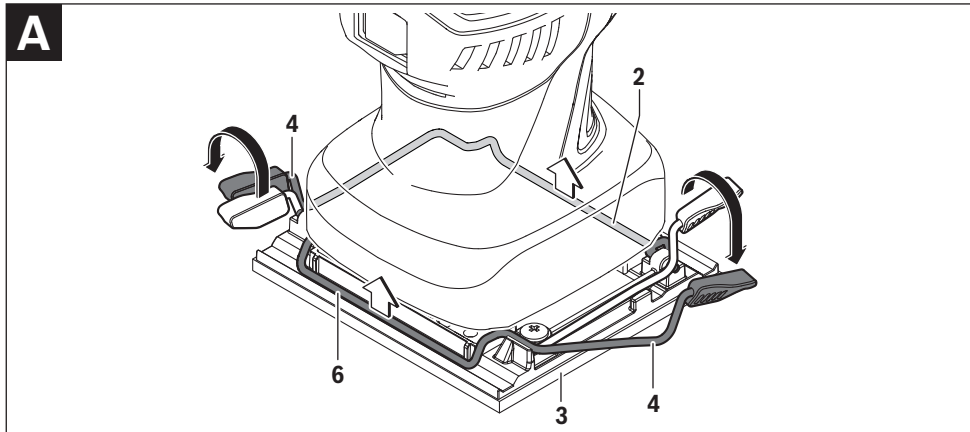


GSS 140





4 |



English

General Power Tool Safety Warnings

⚠ WARNING Read all safety warnings, instructions, illustrations and specifications provided with this power tool. Failure to follow all instructions listed below may result in electric shock, fire and/or serious injury.

Save all warnings and instructions for future reference.

The term "power tool" in the warnings refers to your mains-operated (corded) power tool or battery-operated (cordless) power tool.

Work area safety

- ▶ **Keep work area clean and well lit.** Cluttered or dark areas invite accidents.
- ▶ **Do not operate power tools in explosive atmospheres, such as in the presence of flammable liquids, gases or dust.** Power tools create sparks which may ignite the dust or fumes.
- ▶ **Keep children and bystanders away while operating a power tool.** Distractions can cause you to lose control.

Electrical safety

- ▶ **Power tool plugs must match the outlet. Never modify the plug in any way. Do not use any adapter plugs with earthed (grounded) power tools.** Unmodified plugs and matching outlets will reduce risk of electric shock.
- ▶ **Avoid body contact with earthed or grounded surfaces, such as pipes, radiators, ranges and refrigerators.** There is an increased risk of electric shock if your body is earthed or grounded.
- ▶ **Do not expose power tools to rain or wet conditions.** Water entering a power tool will increase the risk of electric shock.
- ▶ **Do not abuse the cord. Never use the cord for carrying, pulling or unplugging the power tool. Keep cord away from heat, oil, sharp edges and moving parts.** Damaged or entangled cords increase the risk of electric shock.
- ▶ **When operating a power tool outdoors, use an extension cord suitable for outdoor use.** Use of a cord suitable for outdoor use reduces the risk of electric shock.
- ▶ **If operating a power tool in a damp location is unavoidable, use a residual current device (RCD) protected supply.** Use of an RCD reduces the risk of electric shock.

Personal safety

- ▶ **Stay alert, watch what you are doing and use common sense when operating a power tool. Do not use a power tool while you are tired or under the influence of drugs, alcohol or medication.** A moment of inattention while operating power tools may result in serious personal injury.
- ▶ **Use personal protective equipment. Always wear eye protection.** Protective equipment such as dust mask, non-skid safety shoes, hard hat, or hearing protection used for appropriate conditions will reduce personal injuries.

- ▶ **Prevent unintentional starting. Ensure the switch is in the off-position before connecting to power source and/or battery pack, picking up or carrying the tool.**

Carrying power tools with your finger on the switch or energising power tools that have the switch on invites accidents.

- ▶ **Remove any adjusting key or wrench before turning the power tool on.** A wrench or a key left attached to a rotating part of the power tool may result in personal injury.
- ▶ **Do not overreach. Keep proper footing and balance at all times.** This enables better control of the power tool in unexpected situations.
- ▶ **Dress properly. Do not wear loose clothing or jewellery. Keep your hair and clothing away from moving parts.** Loose clothes, jewellery or long hair can be caught in moving parts.
- ▶ **If devices are provided for the connection of dust extraction and collection facilities, ensure these are connected and properly used.** Use of dust collection can reduce dust-related hazards.
- ▶ **Do not let familiarity gained from frequent use of tools allow you to become complacent and ignore tool safety principles.** A careless action can cause severe injury within a fraction of a second.

Power tool use and care

- ▶ **Do not force the power tool. Use the correct power tool for your application.** The correct power tool will do the job better and safer at the rate for which it was designed.
- ▶ **Do not use the power tool if the switch does not turn it on and off.** Any power tool that cannot be controlled with the switch is dangerous and must be repaired.
- ▶ **Disconnect the plug from the power source and/or remove the battery pack, if detachable, from the power tool before making any adjustments, changing accessories, or storing power tools.** Such preventive safety measures reduce the risk of starting the power tool accidentally.
- ▶ **Store idle power tools out of the reach of children and do not allow persons unfamiliar with the power tool or these instructions to operate the power tool.** Power tools are dangerous in the hands of untrained users.
- ▶ **Maintain power tools and accessories. Check for misalignment or binding of moving parts, breakage of parts and any other condition that may affect the power tool's operation. If damaged, have the power tool repaired before use.** Many accidents are caused by poorly maintained power tools.
- ▶ **Keep cutting tools sharp and clean.** Properly maintained cutting tools with sharp cutting edges are less likely to bind and are easier to control.
- ▶ **Use the power tool, accessories and tool bits etc. in accordance with these instructions, taking into account the working conditions and the work to be performed.** Use of the power tool for operations different from those intended could result in a hazardous situation.

6 | English

- ▶ **Keep handles and grasping surfaces dry, clean and free from oil and grease.** Slippery handles and grasping surfaces do not allow for safe handling and control of the tool in unexpected situations.

Service

- ▶ **Have your power tool serviced by a qualified repair person using only identical replacement parts.** This will ensure that the safety of the power tool is maintained.

Safety Warnings for Sander

- ▶ **Use the machine only for dry sanding.** Penetration of water into the machine increases the risk of an electric shock.
- ▶ **Caution, fire hazard! Avoid overheating the object being sanded as well as the sander. Always empty the dust collector before taking breaks.** In unfavourable conditions, e. g., when sparks emit from sanding metals, sanding debris in the dust bag, micro filter or paper sack (or in the filter sack or filter of the vacuum cleaner) can self-ignite. Particularly when mixed with remainders of varnish, polyurethane or other chemical materials and when the sanding debris is hot after long periods of working.
- ▶ **Secure the workpiece.** A workpiece clamped with clamping devices or in a vice is held more secure than by hand.

Products sold in GB only: Your product is fitted with an BS 1363/A approved electric plug with internal fuse (ASTA approved to BS 1362).

If the plug is not suitable for your socket outlets, it should be cut off and an appropriate plug fitted in its place by an authorised customer service agent. The replacement plug should have the same fuse rating as the original plug.

The severed plug must be disposed of to avoid a possible shock hazard and should never be inserted into a mains socket elsewhere.

Product Description and Specifications

Read all safety warnings and all instructions. Failure to follow the warnings and instructions may result in electric shock, fire and/or serious injury.

Intended Use

The machine is intended for dry sanding of wood, plastic, dry wall, filler and coated surfaces.

Product Features

The numbering of the product features refers to the illustration of the machine on the graphics page.

- 1 On/Off switch
- 2 Rear clamping bracket
- 3 Sanding plate
- 4 Sanding-sheet clamps (2x)
- 5 Sanding sheet*

- 6 Front clamping bracket
- 7 Handle (insulated gripping surface)

*Accessories shown or described are not part of the standard delivery scope of the product. A complete overview of accessories can be found in our accessories program.

Technical Data

Orbital sander	GSS 140	
Article number		3 601 BA8 ...
Rated power input	W	220
No-load speed	min ⁻¹	14 000
No-load orbital stroke rate	min ⁻¹	28 000
Orbit diameter	mm	1.5
Sanding sheet dimensions		
– Attachment via clamping	mm	114 x 140
Sanding plate dimensions	mm	105 x 113
Weight according to EPTA-Procedure 01:2014	kg	1.2
Protection class		□/II

The values given are valid for a nominal voltage [U] of 230 V. For different voltages and models for specific countries, these values can vary.

Assembly

- ▶ **Before any work on the machine itself, pull the mains plug.**

Replacing the Sanding Sheet

When attaching a new sanding sheet, remove any dust or debris from the sanding plate **3** (e. g. with a brush).

Sanding Sheets without Velcro Backing (see figure A – C)

- 1 Unlock both sanding-sheet clamps **4** and swivel them downwards.
- 2 Insert the sanding sheet **5** under the rear clamping bracket **2**. Ensure that the sanding sheet **5** is not too short and that it is correctly clamped. Swivel the sanding-sheet clamp **4** back into the starting position and lock it there.
- 3 Place the sanding paper taut around the sanding plate **3**. Clamp the front part of the sanding sheet under the front clamping bracket **6**. Ensure that the sanding sheet **5** is not too short and that it is correctly clamped. Swivel the sanding-sheet clamp **4** back into the starting position and lock it there.

To remove the sanding sheet **5**, unlock both sanding-sheet clamps **4** and pull the sanding sheet out of its holder.

Selecting the Sanding Sheet

Depending on the material to be worked and the required rate of material removal, different sanding sheets are available:

	Grain size
red:Wood	40 - 240

For the working of all wooden materials

For coarse-sanding, e. g. of rough, unplanned beams and boards	coarse	40, 60
For face sanding and planing small irregularities	medium	80, 120
For finish and fine sanding of hard woods	fine	180, 240

white:Paint 40 - 240**For the working of paint/enamel coats or primers and fillers**

For sanding off paint	coarse	40, 60
For sanding primer	medium	80, 120
For final sanding of primers before coating	fine	180, 240

Dust/Chip Extraction

- ▶ Dust from materials such as lead-containing coatings, some wood types, minerals and metal can be harmful to one's health. Touching or breathing-in the dust can cause allergic reactions and/or lead to respiratory infections of the user or bystanders.
 - Certain dust, such as oak or beech dust, is considered carcinogenic, especially in connection with wood-treatment additives (chromate, wood preservative). Materials containing asbestos may only be worked by specialists.
 - As far as possible, use a dust extraction system suitable for the material.
 - Provide for good ventilation of the working place.
 - It is recommended to wear a P2 filter-class respirator.
- ▶ **Prevent dust accumulation at the workplace.** Dust can easily ignite.

Operation**Starting Operation**

- ▶ **Observe correct mains voltage! The voltage of the power source must agree with the voltage specified on the nameplate of the machine. Power tools marked with 230 V can also be operated with 220 V.**

Products sold in AUS and NZ only: Use a residual current device (RCD) with a rated residual current of 30 mA or less.

Switching On and Off

To **start** the machine, tilt the On/Off switch **1** toward the right to the "1" position.

To **switch off** the machine, tilt the On/Off switch **1** toward the left to the "0" position.

To save energy, only switch the power tool on when using it.

Working Advice

- ▶ **Wait until the machine has come to a standstill before placing it down.**

The removal capacity during sanding is mainly determined by the selection of the sanding sheet.

Only flawless sanding sheets achieve good sanding capacity and extend the service life of the machine.

Pay attention to apply uniform sanding pressure; this increases the working life of the sanding sheets.

Intensifying the sanding pressure does not lead to an increase of the sanding capacity, but to increased wear of the machine and the sanding sheet.

A sanding sheet that has been used for metal should not be used for other materials.

Use only original Bosch sanding accessories.

Maintenance and Service**Maintenance and Cleaning**

- ▶ **Before any work on the machine itself, pull the mains plug.**
- ▶ **For safe and proper working, always keep the machine and ventilation slots clean.**

If the replacement of the supply cord is necessary, this has to be done by Bosch or an authorized Bosch service agent in order to avoid a safety hazard.

After-sales Service and Application Service

Our after-sales service responds to your questions concerning maintenance and repair of your product as well as spare parts. Exploded views and information on spare parts can also be found under:

www.bosch-pt.com

Bosch's application service team will gladly answer questions concerning our products and their accessories.

In all correspondence and spare parts orders, please always include the 10-digit article number given on the nameplate of the product.

Cambodia

Robert Bosch (Cambodia) Co., Ltd
Unit 8BC, GT Tower, 08th Floor, Street 169,
Czechoslovakia Blvd, Sangkat Veal Vong
Khan 7 Makara, Phnom Penh
VAT TIN: 100 169 511
Tel.: +855 23 900 685
Tel.: +855 23 900 660
www.bosch.com.kh

People's Republic of China**China Mainland**

Bosch Power Tools (China) Co., Ltd.
567, Bin Kang Road
Bin Jiang District 310052
Hangzhou, P. R. China
Tel.: 4008268484
Fax: (0571) 87774502
E-Mail: contact.ptcn@cn.bosch.com
www.bosch-pt.com.cn

HK and Macau Special Administrative Regions

Robert Bosch Co. Ltd.
21st Floor, 625 King's Road
North Point, Hong Kong
Customer Service Hotline: +852 2101 0235
Fax: +852 2590 9762
E-Mail: info@hk.bosch.com
www.bosch-pt.com.hk

India

Bosch Service Center
69, Habibullah Road, (Next to PSBB School), T. Nagar
Chennai – 600077
Phone: (044) 64561816

Bosch Service Center Rishyamook
85A, Panchkuin Road
New Delhi – 110001
Phone: (011) 43166190

Bosch Service Center
79, Crystal Bldg., Dr. Annie Besant Road, Worli
Mumbai – 400018
Phone: (022) 39569936 / (022) 39569959 /
(022) 39569967 / (022) 24952071

Indonesia

PT Robert Bosch
Palma Tower 10th Floor
Jalan RA Kartini II-S Kaveling 6
Pondok Pinang, Kebayoran Lama
Jakarta Selatan 12310
Tel.: (21) 3005-5800
www.bosch-pt.co.id

Malaysia

Robert Bosch Sdn. Bhd. (220975-V) PT/SMY
No. 8A, Jalan 13/6
46200 Petaling Jaya
Selangor
Tel.: (03) 79663194
Toll-Free: 1800 880188
Fax: (03) 79583838
E-Mail: kiathoe.chong@my.bosch.com
www.bosch-pt.com.my

Pakistan

Robert Bosch Middle East FZE – Pakistan Liaison Office
2nd Floor Plaza # 10, CCA Block, DHA Phase 5
Lahore, 54810
Phone: +92(303)4444311
Email: Faisal.Khan@bosch.com

Philippines

Robert Bosch, Inc.
28th Floor Fort Legend Towers,
3rd Avenue corner 31st Street,
Fort Bonifacio, Global City,
1634 Taguig City
Tel.: (632) 8703871
Fax: (632) 8703870
www.bosch-pt.com.ph

Singapore

Powerwell Service Centre Ptd Ltd
Bosch Authorised Service Centre (Power Tools)
4012 Ang Mo Kio Ave 10, #01-02 TECHplace
Singapore 569628
Tel.: 6452 1770
Fax: 6452 1760
E-Mail: ask@powerwellsc.com
www.powerwellsc.com
www.bosch-pt.com.sg

Thailand

Robert Bosch Ltd.
Liberty Square Building
No. 287, 11 Floor
Silom Road, Bangrak
Bangkok 10500
Tel.: 02 6393111
Fax: 02 2384783
Robert Bosch Ltd., P. O. Box 2054
Bangkok 10501
www.bosch.co.th
Bosch Service – Training Centre
La Salle Tower Ground Floor Unit No.2
10/11 La Salle Moo 16
Srinakharin Road
Bangkaew, Bang Plee
Samutprakarn 10540
Tel.: 02 7587555
Fax: 02 7587525

Vietnam

Branch of Bosch Vietnam Co., Ltd in HCMC
Floor 10, 194 Golden Building
473 Dien Bien Phu Street
Ward 25, Binh Thanh District, Ho Chi Minh City
Tel.: (08) 6258 3690
Fax: (08) 6258 3692
Hotline: (08) 6250 8555
www.bosch-pt.com.vn

Armenia, Azerbaijan, Georgia, Kyrgyzstan, Mongolia, Tajikistan, Turkmenistan, Uzbekistan

TOO "Robert Bosch" Power Tools, After Sales Service
Rayimbek Ave., 169/1
050050, Almaty, Kazakhstan
Service Email: service.pt.ka@bosch.com
Official Website: www.bosch.com, www.bosch-pt.com

Bahrain

Hatem Al Juffali Technical Equipment Establishment.
Kingdom of Bahrain, Setra Highway, Al Aker Area
Phone: +966126971777-311
Fax: +97317704257
Email: h.berjas@eajb.com.sa

Egypt

Unimar
20 Markaz kadmat
El tagmoa EL Aoul – New Cairo
Phone: +20 2224 76091-95
Phone: +20 2224 78072-73
Fax: +20 2224 78075
Email: adelzaki@unimaregypt.com

Iran

Robert Bosch Iran
3rd Floor, No 3, Maadiran Building
Aftab St., Khodami St., Vanak Sq.
Tehran 1994834571
Phone: +9821- 86092057

Iraq

Sahba Technology Group
Al Muthana airport road
Baghdad
Phone: +9647901906953
Phone Dubai: +97143973851
Email: bosch@sahbatechnology.com

Jordan

Roots Arabia – Jordan
Nasser Bin Jameel street, Building 37 Al Rabiah
11194 Amman
Phone: +962 6 5545778
Email: bosch@rootsjordan.com

Kuwait

Al Qurain Automotive Trading Company
Shuwaikh Industrial Area, Block 1, Plot 16, Street 3rd
P.O. Box 164 – Safat 13002
Phone: 24810844
Fax: 24810879
E-mail: josephkr@aaalmutawa.com

Lebanon

Tehini Hana & Co. S.A.R.L.
P.O. Box 90-449
Jdeideh
Dora-Beirut
Phone: +9611255211
Email: service-pt@tehini-hana.com

Libya

El Naser for Workshop Tools
Swanee Road, Alfalah Area
Tripoli
Phone: +218 21 4811184

Oman

Malatan Trading & Contracting LLC
P.O. Box 131
Ruwi, 112 Sultanate of Oman
Phone: +968 99886794
Email: malatanpowertools@malatan.net

Qatar

International Construction Solutions W L L
P. O. Box 51, Doha
Phone: +974 40065458
Fax: +974 4453 8585
Email: csd@icsdoha.com

Saudi Arabia

Juffali Technical Equipment Co. (JTECO)
Kilo 14, Madinah Road, Al Bawadi District
Jeddah 21431
Phone: +966 2 6672222 Ext. 1528
Fax: +966 2 6676308
Email: roland@eajb.com.sa

Syria

Dallal Establishment for Power Tools
P.O. Box 1030
Aleppo
Phone: +963212116083
Email: rita.dallal@hotmail.com

United Arab Emirates

Central Motors & Equipment LLC, P.O. Box 1984
Al-Wahda Street – Old Sana Building
Sharjah
Phone: +971 6 593 2777
Fax: +971 6 533 2269
Email: powertools@centralmotors.ae

Yemen

Abualrejal Trading Corporation
Sana'a Zubairy St. Front to new Parliament Building
Phone: +967-1-202010
Fax: +967-1-279029
Email: tech-tools@abualrejal.com

Ethiopia

Forever plc
Kebele 2,754, BP 4806,
Addis Ababa
Phone: +251 111 560 600
Email: foreverplc@ethionet.et

Ghana

C.WOERMANN LTD.
Nsawam Road/Avenor Junction, P.O. Box 1779
Accra
Phone: +233 302 225 141

Kenya

Robert Bosch East Africa Ltd
Mpaka Road P.O. Box 856
00606 Nairobi

10 | Français

Nigeria

Robert Bosch Nigeria Ltd.
52 – 54 Isaac John Street P.O. Box
GRA Ikeja – Lagos

Republic of South Africa**Customer service**

Hotline: (011) 6519600

Gauteng – BSC Service Centre

35 Roper Street, New Centre
Johannesburg
Tel.: (011) 4939375
Fax: (011) 4930126
E-Mail: bsctools@icon.co.za

KZN – BSC Service Centre

Unit E, Almar Centre
143 Crompton Street
Pinetown
Tel.: (031) 7012120
Fax: (031) 7012446
E-Mail: bsc.dur@za.bosch.com

Western Cape – BSC Service Centre

Democracy Way, Prosperity Park
Milnerton
Tel.: (021) 5512577
Fax: (021) 5513223
E-Mail: bsc@zsd.co.za

Bosch Headquarters

Midrand, Gauteng
Tel.: (011) 6519600
Fax: (011) 6519880
E-Mail: rbsa-hq.pts@za.bosch.com

Tanzania

Diesel & Autoelectric Service Ltd.
117 Nyerere Rd., P.O. Box 70839
Vingunguti 12109, Dar Es Salaam
Phone: +255 222 861 793/794

Australia, New Zealand and Pacific Islands

Robert Bosch Australia Pty. Ltd.
Power Tools
Locked Bag 66
Clayton South VIC 3169
Customer Contact Center
Inside Australia:
Phone: (01300) 307044
Fax: (01300) 307045
Inside New Zealand:
Phone: (0800) 543353
Fax: (0800) 428570
Outside AU and NZ:
Phone: +61 3 95415555
www.bosch-pt.com.au
www.bosch-pt.co.nz

Disposal

The machine, accessories and packaging should be sorted for environmental-friendly recycling.



Do not dispose of power tools into household waste!

Subject to change without notice.

Français**Avertissements de sécurité généraux pour l'outil électrique**

⚠ AVERTISSEMENT Lire tous les avertissements de sécurité, les instructions, les illustrations et les spécifications fournis avec cet outil électrique. Ne pas suivre les instructions énumérées ci-dessous peut provoquer un choc électrique, un incendie et/ou une blessure sérieuse.

Conservé tous les avertissements et toutes les instructions pour pouvoir s'y reporter ultérieurement.

Le terme « outil électrique » dans les avertissements fait référence à votre outil électrique alimenté par le secteur (avec cordon d'alimentation) ou votre outil électrique fonctionnant sur batterie (sans cordon d'alimentation).

Sécurité de la zone de travail

- ▶ **Conserver la zone de travail propre et bien éclairée.** Les zones en désordre ou sombres sont propices aux accidents.
- ▶ **Ne pas faire fonctionner les outils électriques en atmosphère explosive, par exemple en présence de liquides inflammables, de gaz ou de poussières.** Les outils électriques produisent des étincelles qui peuvent enflammer les poussières ou les fumées.
- ▶ **Maintenir les enfants et les personnes présentes à l'écart pendant l'utilisation de l'outil électrique.** Les distractions peuvent vous faire perdre le contrôle de l'outil.

Sécurité électrique

- ▶ **Il faut que les fiches de l'outil électrique soient adaptées au socle. Ne jamais modifier la fiche de quelque façon que ce soit. Ne pas utiliser d'adaptateurs avec des outils électriques à branchement de terre.** Des fiches non modifiées et des socles adaptés réduisent le risque de choc électrique.
- ▶ **Éviter tout contact du corps avec des surfaces reliées à la terre telles que les tuyaux, les radiateurs, les cuisinières et les réfrigérateurs.** Il existe un risque accru de choc électrique si votre corps est relié à la terre.
- ▶ **Ne pas exposer les outils électriques à la pluie ou à des conditions humides.** La pénétration d'eau à l'intérieur d'un outil électrique augmente le risque de choc électrique.

- ▶ **Ne pas maltraiter le cordon. Ne jamais utiliser le cordon pour porter, tirer ou débrancher l'outil électrique. Maintenir le cordon à l'écart de la chaleur, du lubrifiant, des arêtes vives ou des parties en mouvement.**

Des cordons endommagés ou emmêlés augmentent le risque de choc électrique.

- ▶ **Lorsqu'on utilise un outil électrique à l'extérieur, utiliser un prolongateur adapté à l'utilisation extérieure.** L'utilisation d'un cordon adapté à l'utilisation extérieure réduit le risque de choc électrique.
- ▶ **Si l'usage d'un outil électrique dans un emplacement humide est inévitable, utiliser une alimentation protégée par un dispositif à courant différentiel résiduel (RCD).** L'usage d'un RCD réduit le risque de choc électrique.

Sécurité des personnes

- ▶ **Rester vigilant, regarder ce que vous êtes en train de faire et faire preuve de bon sens dans votre utilisation de l'outil électrique. Ne pas utiliser un outil électrique lorsque vous êtes fatigué ou sous l'emprise de drogues, de l'alcool ou de médicaments.** Un moment d'inattention en cours d'utilisation d'un outil électrique peut entraîner des blessures graves.
- ▶ **Utiliser un équipement de protection individuelle. Toujours porter une protection pour les yeux.** Les équipements de protection individuelle tels que les masques contre les poussières, les chaussures de sécurité antidérapantes, les casques ou les protections auditives utilisés pour les conditions appropriées réduisent les blessures.
- ▶ **Éviter tout démarrage intempestif. S'assurer que l'interrupteur est en position arrêt avant de brancher l'outil au secteur et/ou au bloc de batteries, de le ramasser ou de le porter.** Porter les outils électriques en ayant le doigt sur l'interrupteur ou brancher des outils électriques dont l'interrupteur est en position marche est source d'accidents
- ▶ **Retirer toute clé de réglage avant de mettre l'outil électrique en marche.** Une clé laissée fixée sur une partie tournante de l'outil électrique peut donner lieu à des blessures.
- ▶ **Ne pas se précipiter. Garder une position et un équilibre adaptés à tout moment.** Cela permet un meilleur contrôle de l'outil électrique dans des situations inattendues.
- ▶ **S'habiller de manière adaptée. Ne pas porter de vêtements amples ou de bijoux. Garder les cheveux et les vêtements à distance des parties en mouvement.** Des vêtements amples, des bijoux ou les cheveux longs peuvent être pris dans des parties en mouvement.
- ▶ **Si des dispositifs sont fournis pour le raccordement d'équipements pour l'extraction et la récupération des poussières, s'assurer qu'ils sont connectés et correctement utilisés.** Utiliser des collecteurs de poussière peut réduire les risques dus aux poussières.
- ▶ **Rester vigilant et ne pas négliger les principes de sécurité de l'outil sous prétexte que vous avez l'habitude de l'utiliser.** Une fraction de seconde d'inattention peut provoquer une blessure grave.

Utilisation et entretien de l'outil électrique

- ▶ **Ne pas forcer l'outil électrique. Utiliser l'outil électrique adapté à votre application.** L'outil électrique adapté réalise mieux le travail et de manière plus sûre au régime pour lequel il a été construit.
- ▶ **Ne pas utiliser l'outil électrique si l'interrupteur ne permet pas de passer de l'état de marche à arrêt et inversement.** Tout outil électrique qui ne peut pas être commandé par l'interrupteur est dangereux et il faut le réparer.
- ▶ **Débrancher la fiche de la source d'alimentation et/ou enlever le bloc de batteries, s'il est amovible, avant tout réglage, changement d'accessoires ou avant de ranger l'outil électrique.** De telles mesures de sécurité préventives réduisent le risque de démarrage accidentel de l'outil électrique.
- ▶ **Conserver les outils électriques à l'arrêt hors de la portée des enfants et ne pas permettre à des personnes ne connaissant pas l'outil électrique ou les présentes instructions de le faire fonctionner.** Les outils électriques sont dangereux entre les mains d'utilisateurs novices.
- ▶ **Observer la maintenance des outils électriques et des accessoires. Vérifier qu'il n'y a pas de mauvais alignement ou de blocage des parties mobiles, des pièces cassées ou toute autre condition pouvant affecter le fonctionnement de l'outil électrique. En cas de dommages, faire réparer l'outil électrique avant de l'utiliser.** De nombreux accidents sont dus à des outils électriques mal entretenus
- ▶ **Garder affûtés et propres les outils permettant de couper.** Des outils destinés à couper correctement entretenus avec des pièces coupantes tranchantes sont moins susceptibles de bloquer et sont plus faciles à contrôler.
- ▶ **Utiliser l'outil électrique, les accessoires et les lames etc., conformément à ces instructions, en tenant compte des conditions de travail et du travail à réaliser.** L'utilisation de l'outil électrique pour des opérations différentes de celles prévues peut donner lieu à des situations dangereuses.
- ▶ **Il faut que les poignées et les surfaces de préhension restent sèches, propres et dépourvues d'huiles et de graisses.** Des poignées et des surfaces de préhension glissantes rendent impossibles la manipulation et le contrôle en toute sécurité de l'outil dans les situations inattendues.

Maintenance et entretien

- ▶ **Faire entretenir l'outil électrique par un réparateur qualifié utilisant uniquement des pièces de rechange identiques.** Cela assure le maintien de la sécurité de l'outil électrique.

12 | Français

Instructions de sécurité pour meuleuses

- ▶ **N'utiliser l'outil électroportatif que pour un travail à sec.** La pénétration d'eau dans un outil électroportatif augmente le risque d'un choc électrique.
- ▶ **Attention ! Risque d'incendie ! Éviter la surchauffe des matériaux travaillés et de la ponceuse. Vider toujours le bac de récupération des poussières avant de faire une pause de travail.** Les particules de poussière se trouvant dans le sac à poussières, le microfiltre, le sac en papier (ou dans le sac à poussières en tissu ou le filtre de l'aspirateur) peuvent s'enflammer d'elles-mêmes dans des conditions défavorables, p. ex. projection d'étincelles lors du ponçage de pièces en métal, ceci notamment lorsque les particules de poussières sont mélangées à des résidus de vernis, de polyuréthane ou d'autres substances chimiques et que les matériaux travaillés sont très chauds après avoir été travaillés pendant une période assez longue.
- ▶ **Bloquer la pièce à travailler.** Une pièce à travailler serrée par des dispositifs de serrage appropriés ou dans un étau est fixée de manière plus sûre que tenue dans les mains.

Description et performances du produit

Il est impératif de lire toutes les consignes de sécurité et toutes les instructions. Le non-respect des avertissements et instructions indiqués ci-après peut conduire à une électrocution, un incendie et/ou de graves blessures.

Utilisation conforme

L'outil électroportatif est conçu pour le meulage et le ponçage à sec du bois, des plastiques, des plaques de plâtre de cloisons sèches, des enduits et des surfaces peintes.

Éléments de l'appareil

La numérotation des éléments de l'appareil se réfère à la représentation de l'outil électroportatif sur la page graphique.

- 1 Interrupteur Marche/Arrêt
- 2 Levier de serrage arrière
- 3 Plateau de ponçage
- 4 Etrier de serrage (2x)
- 5 Feuille abrasive*
- 6 Levier de serrage avant
- 7 Poignée (surface de préhension isolante)

***Les accessoires décrits ou illustrés ne sont pas tous compris dans la fourniture. Vous trouverez les accessoires complets dans notre programme d'accessoires.**

Caractéristiques techniques

Ponceuse vibrante		GSS 140
N° d'article		3 601 BA8 ...
Puissance nominale absorbée	W	220
Vitesse à vide	tr/min	14 000
Vitesse d'oscillation à vide	min ⁻¹	28 000
Diamètre d'amplitude d'oscillation	mm	1,5
Dimensions feuille abrasive – Tension de serrage	mm	114 x 140
Dimensions plaque de ponçage	mm	105 x 113
Poids suivant EPTA-Procédure 01:2014	kg	1,2
Classe de protection		□/II

Ces indications sont valables pour une tension nominale de [U] 230 V. Ces indications peuvent varier pour des tensions plus basses ainsi que pour des versions spécifiques à certains pays.

Montage

- ▶ **Avant d'effectuer des travaux sur l'outil électroportatif, retirez la fiche de la prise de courant.**

Changement de la feuille abrasive

Avant de monter une nouvelle feuille abrasive, éliminez les poussières et saletés se trouvant sur le plateau de ponçage **3** à l'aide d'un pinceau p. ex.

Feuilles abrasives standard (voir figure A – C)

- ❶ Débloquez les deux étriers de serrage **4** et basculez-les vers le bas.
- ❷ Introduisez la feuille abrasive **5** sous le levier de serrage arrière **2**. Veillez à ce que la feuille abrasive **5** ne soit pas trop courte et à ce qu'elle soit correctement serrée. Ramenez les étriers de serrage **4** dans leur position d'origine et verrouillez-les.
- ❸ Posez la feuille abrasive autour du plateau de ponçage **3** en veillant à ce qu'elle ne fasse pas de mou. Fixez et bloquez la partie avant de la feuille abrasive sous le levier de serrage avant **6**. Veillez à ce que la feuille abrasive **5** ne soit pas trop courte et à ce qu'elle soit correctement serrée. Ramenez les étriers de serrage **4** dans leur position d'origine et verrouillez-les.

Pour retirer la feuille abrasive **5**, débloquez les deux leviers de serrage **4** et dégagez la feuille abrasive de sa fixation.

Choix de la feuille abrasive

En fonction du matériau à travailler et du travail demandé, il existe différentes feuilles abrasives :

	Grains	
red:Wood	40 - 240	
Pour travailler tous les bois		
Pour la dégrossissage p. ex. de poutres et planches rugueuses, non rabotées	grossier	40, 60
Pour la rectification (plane) et le nivellement de petites rugosités	moyen	80, 120
Pour les travaux de finition et le ponçage fin de bois durs	fin	180, 240

white:Paint 40 - 240**Pour travailler couches de peinture/ vernis ou apprêts comme p. ex. mastic ou masse de remplissage**

Pour retirer des couches de peinture	grossier	40, 60
Pour poncer des couches de base de peinture	moyen	80, 120
Pour le finissage d'apprêts avant l'application de la peinture laquée	fin	180, 240

Aspiration de poussières/de copeaux

- Les poussières de matériaux tels que peintures contenant du plomb, certains bois, minéraux ou métaux, peuvent être nuisibles à la santé. Entrer en contact ou aspirer les poussières peut entraîner des réactions allergiques et/ou des maladies respiratoires auprès de l'utilisateur ou de personnes se trouvant à proximité. Certaines poussières telles que les poussières de chêne ou de hêtre sont considérées comme cancérigènes, surtout en association avec des additifs pour le traitement du bois (chromate, lazure). Les matériaux contenant de l'amiante ne doivent être travaillés que par des personnes qualifiées.
 - Si possible, utilisez un dispositif d'aspiration des poussières approprié au matériau.
 - Veillez à bien aérer la zone de travail.
 - Il est recommandé de porter un masque respiratoire avec un niveau de filtration de classe P2.
 Respectez les règlements spécifiques aux matériaux à traiter en vigueur dans votre pays.
- **Évitez toute accumulation de poussières à l'emplacement de travail.** Les poussières peuvent facilement s'enflammer.

Mise en marche**Mise en service**

- **Tenez compte de la tension du réseau ! La tension de la source de courant doit correspondre aux indications se trouvant sur la plaque signalétique de l'outil électroportatif. Les outils électroportatifs marqués 230 V peuvent également fonctionner sur 220 V.**

Mise en Marche/Arrêt

Pour la **mise en service** de l'outil électroportatif, pousser l'interrupteur Marche/Arrêt **1** vers la droite en position « **1** ».

Pour **arrêter** l'outil électroportatif pousser l'interrupteur Marche/Arrêt **1** vers la gauche en position « **0** ».

Afin d'économiser l'énergie, ne mettez l'outil électroportatif en marche que quand vous l'utilisez.

Instructions d'utilisation

- **Avant de déposer l'outil électroportatif, attendez que celui-ci soit complètement à l'arrêt.**

L'enlèvement de matière dépend essentiellement du choix de la feuille abrasive.

Seules des feuilles abrasives impeccables assurent un bon travail de ponçage et ménagent l'outil électroportatif.

Veillez à ce que la pression de travail soit régulière, afin d'augmenter la durée de vie des feuilles abrasives.

Une pression trop élevée exercée sur l'appareil n'améliore pas la puissance de ponçage mais augmente considérablement l'usure de l'outil électroportatif et de la feuille abrasive.

Une feuille abrasive avec laquelle on a travaillé du métal, ne doit pas être utilisée pour d'autres matériaux.

N'utilisez que des accessoires de ponçage d'origine Bosch.

Entretien et Service Après-Vente**Nettoyage et entretien**

- **Avant d'effectuer des travaux sur l'outil électroportatif, retirez la fiche de la prise de courant.**
- **Veillez à ce que l'outil électroportatif ainsi que les ouïes de ventilation soient toujours propres afin d'obtenir un travail impeccable et sûr.**

Si le remplacement du câble d'alimentation est nécessaire, ceci ne doit être effectué que par Bosch ou une station de Service Après-Vente agréée pour outillage Bosch afin d'éviter des dangers de sécurité.

Service Après-Vente et Assistance

Notre Service Après-Vente répond à vos questions concernant la réparation et l'entretien de votre produit et les pièces de rechange. Vous trouverez des vues éclatées ainsi que des informations concernant les pièces de rechange également sous :

www.bosch-pt.com

Les conseillers techniques et assistants Bosch sont à votre disposition pour répondre à vos questions concernant nos produits et leurs accessoires.

Pour toute demande de renseignement ou commande de pièces de rechange, précisez-nous impérativement le numéro d'article à dix chiffres indiqué sur la plaque signalétique du produit.

14 | Português

Algeria

Siestal
 Zone Industrielle Ihaddaden
 06000 Bejaia
 Tel. : + 213 (0) 982 400 991/2
 Fax : + 213 (0) 3 420 1569
 E-Mail : sav@siestal-dz.com

Morocco

Robert Bosch Morocco SARL
 53, Rue Lieutenant Mahroud Mohamed
 20300 Casablanca
 E-Mail : sav.outillage@ma.bosch.com

Tunisia

Robert Bosch Tunisie SARL
 7 Rue Ibn Battouta Z.I. Saint Gobain
 Mégrine Riadh
 2014 Ben Arous
 Tél. : + 216 71 427 496/879
 Fax : + 216 71 428 621
 E-Mail : sav.outillage@tn.bosch.com

Côte d'Ivoire

Rimco
 ZONE 3, 9 RUE DU CANAL
 01 BP V230, Abidjan 01
 Tel. : + 225 21 25 93 38

Sénégal

Bernabé
 Km 2,5 – Bd du Centenaire de la Commune de Dakar
 B.P. 2098 DAKAR
 Tel. : + 221 33 849 01 01
 Fax : + 221 33 823 34 20

Élimination des déchets

Les outils électroportatifs, ainsi que leurs accessoires et emballages, doivent pouvoir suivre chacun une voie de recyclage appropriée.



Ne jetez pas les outils électroportatifs avec les ordures ménagères !

Sous réserve de modifications.

**Português****Indicações gerais de segurança para ferramentas elétricas**

⚠ ATENÇÃO Devem ser lidas todas as indicações de segurança, instruções, ilustrações e especificações desta ferramenta elétrica. O desrespeito das instruções apresentadas abaixo pode causar choque elétrico, incêndio e/ou graves lesões.

Guarde bem todas as advertências e instruções para futura referência.

O termo "Ferramenta elétrica" utilizado a seguir nas indicações de advertência, refere-se a ferramentas elétricas operadas com corrente de rede (com cabo de rede) e a ferramentas elétricas operadas com acumulador (sem cabo de rede).

Segurança da área de trabalho

- ▶ **Mantenha a sua área de trabalho sempre limpa e bem iluminada.** Desordem ou áreas de trabalho insuficientemente iluminadas podem levar a acidentes.
- ▶ **Não trabalhar com a ferramenta elétrica em áreas com risco de explosão, nas quais se encontrem líquidos, gases ou pós inflamáveis.** Ferramentas elétricas produzem faíscas, que podem inflamar pós ou vapores.
- ▶ **Manter crianças e outras pessoas afastadas da ferramenta elétrica durante a utilização.** No caso de distração é possível que perca o controlo sobre o aparelho.

Segurança elétrica

- ▶ **A ficha de conexão da ferramenta elétrica deve caber na tomada. A ficha não deve ser modificada de maneira alguma. Não utilizar uma ficha de adaptação junto com ferramentas elétricas protegidas por ligação à terra.** Fichas não modificadas e tomadas apropriadas reduzem o risco de um choque elétrico.
- ▶ **Evitar que o corpo possa entrar em contacto com superfícies ligadas à terra, como tubos, aquecimentos, fogões e frigoríficos.** Há um risco elevado devido a choque elétrico, se o corpo estiver ligado à terra.
- ▶ **Manter o aparelho afastado de chuva ou humidade.** A infiltração de água numa ferramenta elétrica aumenta o risco de choque elétrico.
- ▶ **Não deverá utilizar o cabo para outras finalidades. Jamais utilizar o cabo para transportar a ferramenta elétrica, para pendurá-la, nem para puxar a ficha da tomada. Manter o cabo afastado de calor, óleo, cantos afiados ou partes do aparelho em movimento.** Cabos danificados ou emaranhados aumentam o risco de um choque elétrico.
- ▶ **Se trabalhar com uma ferramenta elétrica ao ar livre, só deverá utilizar cabos de extensão apropriados para áreas exteriores.** A utilização de um cabo de extensão apropriado para áreas exteriores reduz o risco de um choque elétrico.

- ▶ **Se não for possível evitar o funcionamento da ferramenta elétrica em áreas húmidas, deverá ser utilizado um disjuntor de corrente de avaria.** A utilização de um disjuntor de corrente de avaria reduz o risco de um choque elétrico.
- Segurança de pessoas**
- ▶ **Esteja atento, observe o que está a fazer e tenha prudência ao trabalhar com a ferramenta elétrica. Não utilizar uma ferramenta elétrica quando estiver fatigado ou sob a influência de drogas, álcool ou medicamentos.** Um momento de descuido ao utilizar a ferramenta elétrica, pode levar a lesões graves.
 - ▶ **Utilizar equipamento de proteção pessoal e sempre óculos de proteção.** A utilização de equipamento de proteção pessoal, como máscara de proteção contra pó, sapatos de segurança antiderrapantes, capacete de segurança ou proteção auricular, de acordo com o tipo e aplicação da ferramenta elétrica, reduz o risco de lesões.
 - ▶ **Evitar uma colocação em funcionamento involuntária. Assegure-se de que a ferramenta elétrica esteja desligada, antes de conectá-la à alimentação de rede e/ou ao acumulador, antes de levantá-la ou de transportá-la.** Se tiver o dedo no interruptor ao transportar a ferramenta elétrica ou se o aparelho for conectado à alimentação de rede enquanto estiver ligado, poderão ocorrer acidentes.
 - ▶ **Remover ferramentas de ajuste ou chaves de boca antes de ligar a ferramenta elétrica.** Uma ferramenta ou chave que se encontre numa parte do aparelho em movimento pode levar a lesões.
 - ▶ **Evite uma posição anormal. Mantenha uma posição firme e mantenha sempre o equilíbrio.** Desta forma é mais fácil controlar a ferramenta elétrica em situações inesperadas.
 - ▶ **Usar roupa apropriada. Não usar roupa larga nem joias. Mantenha os cabelos e roupas afastados de partes em movimento.** Roupas frouxas, cabelos longos ou joias podem ser agarrados por peças em movimento.
 - ▶ **Se for possível montar dispositivos de aspiração ou de recolha, assegure-se de que estejam conectados e utilizados corretamente.** A utilização de uma aspiração de pó pode reduzir o perigo devido ao pó.
 - ▶ **Não deixe que a familiaridade resultante de uma utilização frequente de ferramentas permita que você se torne complacente e ignore os princípios de segurança da ferramenta.** Uma ação descuidada pode causar ferimentos graves numa fração de segundo.
- Utilização e manuseio cuidadoso de ferramentas elétricas**
- ▶ **Não sobrecarregue o aparelho. Utilize a ferramenta elétrica apropriada para o seu trabalho.** É melhor e mais seguro trabalhar com a ferramenta elétrica apropriada na área de potência indicada.
 - ▶ **Não utilizar uma ferramenta elétrica com um interruptor defeituoso.** Uma ferramenta elétrica que não pode mais ser ligada nem desligada, é perigosa e deve ser reparada.
 - ▶ **Puxar a ficha da tomada e/ou remover o acumulador, se amovível, antes de executar ajustes no aparelho, de substituir acessórios ou de guardar o aparelho.** Esta medida de segurança evita o arranque involuntário da ferramenta elétrica.
 - ▶ **Guardar ferramentas elétricas não utilizadas fora do alcance de crianças. Não permita que pessoas que não estejam familiarizadas com o aparelho ou que não tenham lido estas instruções, utilizem o aparelho.** Ferramentas elétricas são perigosas se forem utilizadas por pessoas inesperadas.
 - ▶ **Tratar a ferramenta elétrica e os acessórios com cuidado. Controlar se as partes móveis do aparelho funcionam perfeitamente e não emperram, e se há peças quebradas ou danificadas que possam prejudicar o funcionamento da ferramenta elétrica. Permitir que peças danificadas sejam reparadas antes da utilização.** Muitos acidentes têm como causa, a manutenção insuficiente de ferramentas elétricas.
 - ▶ **Manter as ferramentas de corte afiadas e limpas.** Ferramentas de corte cuidadosamente tratadas e com cantos de corte afiados emperram com menos frequência e podem ser conduzidas com maior facilidade.
 - ▶ **Utilizar a ferramenta elétrica, acessórios, ferramentas de aplicação, etc. conforme estas instruções. Considerar as condições de trabalho e a tarefa a ser executada.** A utilização de ferramentas elétricas para outras tarefas a não ser as aplicações previstas, pode levar a situações perigosas.
 - ▶ **Mantenha os punhos e as superfícies de agarrar secas, limpas e livres de óleo e massa consistente.** Punhos e superfícies de agarrar escorregadias não permitem o manuseio e controle seguros da ferramenta em situações inesperadas.
- Serviço**
- ▶ **Só permita que o seu aparelho seja reparado por pessoal especializado e qualificado e só com peças de reposição originais.** Desta forma é assegurado o funcionamento seguro do aparelho.
- Indicações de segurança para lixadeiras**
- ▶ **Apenas utilizar a ferramenta elétrica para o corte a seco.** A infiltração de água num aparelho elétrico aumenta o risco de choque elétrico.
 - ▶ **Atenção, perigo de incêndio! Evitar um sobreaquecimento do material a ser lixado e da lixadeira. Sempre esvaziar o recipiente de pó antes das pausas de trabalho.** Sob condições desfavoráveis é possível que a amoldura no saco de pó, no microfiltro, no saco de papel (ou no saco de filtro ou no filtro do aspirador de pó) seja inflamada automaticamente, como voo de fálhas ao lixar metais. É especialmente perigoso, se o pó de lixar estiver misturado com restos de verniz, poliuretano ou outros produtos químicos e o material de lixar tornar-se quente após um período de trabalho prolongado.
 - ▶ **Fixar a peça a ser trabalhada.** Uma peça a ser trabalhada fixa com dispositivos de aperto ou com torno de bancada está mais firme do que segurada com a mão.

16 | Português

Descrição do produto e da potência



Devem ser lidas todas as indicações de advertência e todas as instruções. O desrespeito das advertências e instruções apresentadas abaixo pode causar choque elétrico, incêndio e/ou graves lesões.

Utilização conforme as disposições

A ferramenta elétrica destina-se ao lixamento a seco de madeira, plástico, paredes de materiais pré-fabricados, massa de aparelhar e superfícies pintadas.

Componentes ilustrados

A numeração dos componentes ilustrados refere-se à apresentação da ferramenta elétrica na página de esquemas.

- 1 Interruptor de ligar-desligar
- 2 Barra de aperto traseira
- 3 Placa de lixar
- 4 Grampo de fixação (2x)
- 5 Folha de lixar*
- 6 Barra de aperto dianteira
- 7 Punho (superfície isolada)

*Acessórios apresentados ou descritos não pertencem ao volume de fornecimento padrão. Todos os acessórios encontram-se no nosso programa de acessórios.

Dados técnicos

Lixadeira orbital		GSS 140
N.º do produto		3 601 BA8 ...
Potência nominal consumida	W	220
N.º de rotações em ponto morto	rpm	14 000
N.º de oscilações em vazio	min ⁻¹	28 000
Diâmetro do círculo de oscilação	mm	1,5
Dimensões da folha de lixar		
- Tensão de aperto	mm	114 x 140
Dimensões da placa de lixar	mm	105 x 113
Peso conforme EPTA-Procedure 01:2014	kg	1,2
Classe de proteção		□/II
As indicações valem para tensões nominais [U] de 230 V. Estas indicações podem variar dependendo de tensões inferiores e dos modelos específicos dos países.		

Montagem

- ▶ **Antes de todos trabalhos na ferramenta elétrica deverá puxar a ficha de rede da tomada.**

Substituir a folha de lixar

Remover sujidade e pó da placa de lixar antes de colocar uma nova placa de lixar **3**, p. ex. com um pincel.

Folhas de lixar sem aderência de velcro (veja figura A - C)

- ❶ Solte ambos os grampos de fixação **4** do sistema de retenção e vire-os para baixo.
- ❷ Introduza a folha de lixa **5** por baixo da régua de aperto **2**. Certifique-se de que a folha de lixa **5** não é demasiado curta e está fixa de forma correta. Volte a virar o grampo de fixação **4** para a posição de partida e fixe-o.
- ❸ Coloque a folha de lixa bem esticada sobre a placa de lixar **3**. Prenda a parte da frente da folha de lixa por baixo do grampo de fixação dianteiro **6**. Certifique-se de que a folha de lixa **5** não é demasiado curta e está fixa de forma correta. Volte a virar o grampo de fixação **4** para a posição de partida e fixe-o.

Para remover a folha de lixa **5** solte ambos os grampos de fixação **4** e puxe a folha de lixa do respetivo suporte.

Seleção da folha de lixar

Estão disponíveis diversas folhas de lixar, de acordo com o material a ser trabalhado e com o desbaste desejado da superfície:

		Grão
red:Wood		40 - 240
Para processar todos materiais de madeira		
Para a retificação prévia de p. ex. vigas e tábuas ásperas e não aplainadas	grosseiro	40, 60
Para lixamento plano e para nivelar pequenas rugosidades	médio	80, 120
Para o acabamento fino de lixar madeiras duras	fino	180, 240
white:Paint		40 - 240
Para o processamento de camadas de tintas e vernizes ou primeira demão como betume de enchimento e massa de aparelhar		
Para lixar tinta	grosseiro	40, 60
Para lixar tinta de primeira demão	médio	80, 120
Para o acabamento final de primeiras demãos antes de envernizar	fino	180, 240

Aspiração de pó/de aparas

- ▶ Pós de materiais como por exemplo, tintas que contém chumbo, alguns tipos de madeira, minerais e metais, podem ser nocivos à saúde. O contacto ou a inalação dos pós pode provocar reações alérgicas e/ou doenças nas vias respiratórias do utilizador ou das pessoas que se encontram por perto. Certos pós, como por exemplo pó de carvalho e faia são considerados como sendo cancerígenos, especialmente quando juntos com substâncias para o tratamento de madeiras (cromato, preservadores de madeira). Material que contém asbesto só deve ser processado por pessoal especializado.

- Se possível deverá usar um dispositivo de aspiração apropriado para o material.
- Assegurar uma boa ventilação do local de trabalho.
- É recomendável usar uma máscara de proteção respiratória com filtro da classe P2.

Observe as diretivas para os materiais a serem trabalhados, vigentes no seu país.

- ▶ **Evite o acúmulo de pó no local de trabalho.** Pó pode entrar levemente em ignição.

Funcionamento

Colocação em funcionamento

- ▶ **Observar a tensão de rede! A tensão da fonte de corrente deve coincidir com a indicada na chapa de identificação da ferramenta elétrica. Ferramentas elétricas marcadas para 230 V também podem ser operadas com 220 V.**

Ligar e desligar

Para **colocação em funcionamento** da ferramenta elétrica deverá pressionar o interruptor de ligar-desligar **1** para a direita, para a posição "I".

Para **desligar** a ferramenta elétrica, deverá pressionar novamente **1** para a esquerda, para a posição "0".

Para poupar energia só deverá ligar a ferramenta elétrica quando ela for utilizada.

Indicações de trabalho

- ▶ **Espere a ferramenta elétrica parar completamente, antes de depositá-la.**

A potência abrasiva ao lixar depende principalmente da folha de lixar selecionada.

Apenas folhas de lixar em perfeito estado proporcionam uma perfeita potência abrasiva e poupam a ferramenta elétrica.

Trabalhar com uma força de pressão uniforme para aumentar a vida útil das folhas de lixar.

Um aumento demasiado da força de pressão não leva a uma potência abrasiva mais alta, mas a um desgaste mais forte da ferramenta elétrica e da folha de lixar.

Jamais utilizar uma folha de serra com a qual foi processado metal, para processar outros materiais.

Só utilizar acessórios de lixar originais Bosch.

Manutenção e serviço

Manutenção e limpeza

- ▶ **Antes de todos trabalhos na ferramenta elétrica deverá puxar a ficha de rede da tomada.**
- ▶ **Manter a ferramenta elétrica e as aberturas de ventilação sempre limpas, para trabalhar bem e de forma segura.**

Se for necessário substituir o cabo de conexão, isto deverá ser realizado pela Bosch ou por uma oficina de serviço pós-venda autorizada para todas as ferramentas elétricas Bosch para evitar riscos de segurança.

Serviço pós-venda e consultoria de aplicação

O serviço pós-venda responde às suas perguntas a respeito de serviços de reparação e de manutenção do seu produto, assim como das peças sobressalentes. Desenhos explodidos e informações sobre peças sobressalentes encontram-se em: **www.bosch-pt.com**

A nossa equipa de consultoria de aplicação Bosch esclarece com prazer todas as suas dúvidas a respeito da compra, aplicação e ajuste dos produtos e acessórios.

Indique para todas as questões e encomendas de peças sobressalentes a referência de 10 dígitos de acordo com a placa de características do produto.

Brasil


Robert Bosch Ltda. – Divisão de Ferramentas Elétricas
Caixa postal 1195 – CEP: 13065-900
Campinas – SP
Tel.: 0800 7045 446
www.bosch.com.br/contato

Angola

InvestGlobal
Parque Logístico
Estrada de Viana Km 12
Luanda
Tel.: +212 948 513 580
E-Mail: helderribeiro@investglobal-ang.com

Eliminação


Ferramentas elétricas, acessórios e embalagens devem ser enviados a uma reciclagem ecológica de matérias-primas.

 Não deitar ferramentas elétricas no lixo doméstico!

Sob reserva de alterações.

中文

安全规章

 **警告！ 阅读所有警告和所有说明！ 不遵照以下警告和说明会导致电击、着火和/或严重伤害。**

保存所有警告和说明书以备查阅。

在所有下列的警告中术语 " 电动工具 " 指市电驱动 (有线) 电动工具或电池驱动 (无线) 电动工具。

工作场地的安全

- ▶ **保持工作场地清洁和明亮。** 混乱和黑暗的场地会引发事故。
- ▶ **不要在易爆环境，如有易燃液体、气体或粉尘的环境下操作电动工具。** 电动工具产生的火花会点燃粉尘或气体。
- ▶ **让儿童和旁观者离开后操作电动工具。** 注意力不集中会使操作者失去对工具的控制。

18 | 中文

电气安全

- ▶ **电动工具插头必须与插座相配。绝不能以任何方式改装插头。需接地的电动工具不能使用任何转换插头。** 未经改装的插头和相配的插座将减少电击危险。
- ▶ **避免人体接触接地表面，如管道、散热片和冰箱。** 如果你身体接地会增加电击危险。
- ▶ **不得将电动工具暴露在雨中或潮湿环境中。** 水进入电动工具将增加电击危险。
- ▶ **不得滥用电线。绝不能用电线搬运、拉动电动工具或拔出其插头。使电线远离热源、油、锐边或运动部件。** 受损或缠绕的软线会增加电击危险。
- ▶ **当在户外使用电动工具时，使用适合户外使用的外接软线。** 适合户外使用的软线将减少电击危险。
- ▶ **如果在潮湿环境下操作电动工具是不可避免的，应使用剩余电流动作保护器 (RCD)。** 使用 RCD 可减少电击危险。

人身安全

- ▶ **保持警觉，当操作电动工具时关注所从事的操作并保持清醒。** 当你感到疲倦，或在有药物、酒精或治疗反应时，不要操作电动工具。在操作电动工具时瞬间的疏忽会导致严重人身伤害。
- ▶ **使用个人防护装置。始终佩戴护目镜。** 安全装置，诸如适当条件下使用防尘面具、防滑安全鞋、安全帽、听力防护等装置能减少人身伤害。
- ▶ **防止意外启动。确保开关在连接电源和 / 或电池盒、拿起或搬运工具时处于关断位置。** 手指放在已接通电源的开关上或开关处于接通时插入插头可能会导致危险。
- ▶ **在电动工具接通之前，拿掉所有调节钥匙或扳手。** 遗留在电动工具旋转零件上的扳手或钥匙会导致人身伤害。
- ▶ **手不要伸展得太长。时刻注意立足点和身体平衡。** 这样在意外情况下能很好地控制电动工具。
- ▶ **着装适当。不要穿宽松衣服或佩戴饰品。** 让衣服、手套和头发远离运动部件。宽松衣服、佩饰或长发可能会卷入运动部件中。
- ▶ **如果提供了与排屑、集尘设备连接用的装置，要确保他们连接完好且使用得当。** 使用这些装置可减少尘屑引起的危险。

电动工具使用和注意事项

- ▶ **不要滥用电动工具，根据用途使用适当的电动工具。** 选用适当设计的电动工具会使你工作更有效、更安全。
- ▶ **如果开关不能接通或关断工具电源，则不能使用该电动工具。** 不能用开关来控制的电动工具是危险的且必须进行修理。

- ▶ **在进行任何调节、更换附件或贮存电动工具之前，必须从电源上拔掉插头和 / 或使电池盒与工具脱开。** 这种防护性措施将减少工具意外启动的危险。
- ▶ **将闲置不用的电动工具贮存在儿童所及范围之外，并且不要让不熟悉电动工具或对这些说明不了解的人操作电动工具。** 电动工具在未经培训的用户手中是危险的。
- ▶ **保养电动工具。检查运动件是否调整到位或卡住，检查零件破损情况和影响电动工具运行的其他状况。** 如有损坏，电动工具应在使用前修理好。许多事故由维护不良的电动工具引发。
- ▶ **保持切削刀具锋利和清洁。** 保养良好的有锋利切削刃的刀具不易卡住而且容易控制。
- ▶ **按照使用说明书，考虑作业条件和进行的作业来使用电动工具、附件和工具的刀头等。** 将电动工具用于那些与其用途不符的操作可能会导致危险。

维修

- ▶ **将你的电动工具送交专业维修人员，使用同样的备件进行修理。** 这样将确保所维修的电动工具的安全性。

针对研磨机的安全规章

- ▶ **只能使用本机器进行乾磨作业。** 如果雨水渗入电动机中可能导致触电。
- ▶ **注意，有著火的危险！避免过度提高研磨表面和研磨机的温度。务必利用工作空档清除集尘器中的尘屑。** 囤积在集尘袋、微滤网、集尘纸袋（滤网袋或吸尘器滤网）上的尘垢，如果接触了研磨金属时产生的火花会产生自燃。如果研磨废尘和油漆、聚亚胺脂或其它的化学原料混合后，再和经过长时间研磨而变热的工件表面接触，非常容易起火燃烧。
- ▶ **固定好工件。** 使用固定装置或老虎钳固定工件，会比用手紧握工件更牢固。

产品和功率描述

阅读所有的警告提示和指示。如未确实遵循警告提示和指示，可能导致电击、火灾并且 / 或其他的严重伤害。

按照规定使用机器

本电动工具专门用于干磨木材、人造材料、干墙、腻子以及油漆表面。

插图上的机件

机件的编号和电动工具详解图上的编号一致。

- 1 起停开关
- 2 后紧固夹
- 3 磨板
- 4 夹箍 (2个)
- 5 砂纸*
- 6 前紧固夹
- 7 手柄 (绝缘握柄)

*图表或说明上提到的附件，并不包含在基本的供货范围中。本公司的附件清单中有完整的附件供应项目。

技术数据

平板砂磨机		GSS 140
物品代码		3 601 BA8 ...
额定输入功率	瓦	220
无负载转速	次 / 分	14000
空载轨道速率	次 / 分	28000
轨道直径	毫米	1,5
砂纸尺寸		
- 使用紧固夹的砂纸	毫米	114 x 140
磨板尺寸	毫米	105 x 113
重量符合 EPTA—Procedure 01:2014	公斤	1,2
绝缘等级		□/II

本说明书提供的参数是以 230 V 为依据，于低电压地区，此数据有可能不同。

安装

▶ **维修电动工具或换装零、配件之前，务必从插座上拔出插头。**

更换砂纸

安装新的砂纸之前，先清除磨板 3 上的污垢与灰尘，例如使用毛刷。

无 Velcro 固定装置的砂纸 (参考插图 A - C)

- ❶ 将两个夹箍 4 从止动件中松开并向下翻转。
- ❷ 将砂纸 5 插入到后紧固夹 2 下面。注意，砂纸 5 夹紧部分不要太短，应正确地夹紧。将夹箍 4 翻回到起始位置并锁定。
- ❸ 将砂纸紧紧包住磨板 3。将砂纸的前半部分夹紧在前紧固夹 6 下面。注意，砂纸 5 夹紧部分不要太短，应正确地夹紧。将夹箍 4 翻回到起始位置并锁定。

若要取下砂纸 5，则松开两个夹箍 4，然后将砂纸从固定架中拉出。

选择砂纸

根据物料和需要的研磨效果，选择合适的砂纸：

	粒度	
red:Wood		40 - 240
加工各类木材		
进行粗加工，针对粗糙、未经过刨削的木樑和木板	粗	40, 60
磨平以及修平小的凹陷	中	80, 120
在硬木上做最后的研磨和精磨工作	细	180, 240
White:Paint		40 - 240
加工颜料 / 漆料或底料、填隙料等		
磨除颜料层	粗	40, 60
抛光底色	中	80, 120
磨平底料以方便上漆	细	180, 240

吸锯尘 / 吸锯屑

▶ 含铅的颜料以及某些木材、矿物和金属的加工废尘有害健康。机器操作者或者工地附近的人如果接触、吸入这些废尘，可能会有过敏反应或者感染呼吸道疾病。

某些尘埃 (例如加工橡木或山毛榉的废尘) 可能致癌，特别是和处理木材的添加剂 (例如木材的防腐剂等) 结合之后。只有经过专业训练的人才能够加工含石棉的物料。

- 尽可能使用适合物料的吸尘装置。
- 工作场所要保持空气流通。
- 最好佩戴 P2 滤网等级的口罩。

请留心并遵守贵国和加工物料有关的法规。

▶ **避免让工作场所堆积过多的尘垢。** 尘垢容易被点燃。

操作

操作机器

▶ **注意电源的电压！电源的电压必须和电动工具铭牌上标示的电压一致。**

开动 / 关闭

开动 电动工具，按下起停开关 1 右侧的 "I" 端。

关闭 电动工具，按下起停开关 1 左侧的 "O" 端。

为了节约能源，只在当您使用机器时，才开动电动工具。

有关操作方式的指点

▶ **等待电动工具停止转动后才可以放下机器。**

研磨时的剥蚀功率大小，基本上是由砂纸决定。

只有完好的砂纸才能够提高研磨功率，并且保护电动工具。

20 | 中文

操作机器时要均匀施压，如此才能够提高砂纸的使用寿命。

在机器上过度施压，不仅无法提高研磨功率，反而容易损坏机器並提高砂纸的耗损率。

不可以使用研磨过金属的砂纸研磨其它的物料。

只能使用博世原厂的研磨附件。

维修和服务

维修和清洁

▶ **维修电动工具或换装零、配件之前，务必从插座上拔出插头。**

▶ **电动工具和通风间隙都必须保持清洁，这样才能够提高工作品质和安全性。**

如果必须更换连接线，务必把这项工作交给博世或者经授权的博世电动工具顾客服务执行，以避免危害机器的安全性能。

顾客服务处和顾客咨询中心

本公司顾客服务处负责回答有关本公司产品的修理、维护和备件的问题。以下的网页中有爆炸图和备件的资料：

www.bosch-pt.com

博世顾客咨询团队非常乐意为您解答有关本公司产品及附件的问题。

如需查询和订购备件，请务必提供产品型号铭牌上的10位数货号。

有关保证，维修或更换零件事宜，请向合格的经销商查询。

中国大陆

博世电动工具（中国）有限公司

中国 浙江省 杭州市

滨江区滨康路 567 号

邮政编码：310052

免费服务热线：4008268484

传真：(0571) 87774502

电邮：contact.ptcn@cn.bosch.com

www.bosch-pt.com.cn

羅伯特·博世有限公司

香港北角英皇道 625 號 21 樓

客戶服務熱線：+852 2101 0235

傳真：+852 2590 9762

電郵：info@hk.bosch.com

網站：www.bosch-pt.com.hk

制造商地址：

Robert Bosch Power Tools GmbH


羅伯特·博世电动工具有限公司

70538 Stuttgart / GERMANY

70538 斯图加特 / 德国

处理废弃物


必须以符合环保的方式，回收再利用损坏的机器、附件和废弃的包装材料。

 不可以把电动工具丢入家庭垃圾中！

保留修改权。

中文

電動工具通用安全警告，

 **警告** 請詳讀電動工具隨附的所有安全警告、指示、插圖以及規格等資料。若不遵照以下列出的指示，將可能導致電擊、著火和/或人員重傷。

請妥善留存所有警告及使用說明資料，以待備查。

在所有警告中，「電動工具」此一名詞泛指：以市電驅動的（有線）電動工具或是以電池驅動的（無線）電動工具。

工作場地的安全

- ▶ **保持工作場地清潔和明亮。** 混亂和黑暗的場地會引發事故。
- ▶ **不要在易爆環境，如有易燃液體、氣體或粉塵的環境下操作電動工具。** 電動工具產生的火花會點燃粉塵或氣體。
- ▶ **讓兒童和旁觀者離開後操作電動工具。** 注意力不集中會使你失去對工具的控制。

電氣安全

- ▶ **電動工具插頭必須與插座相配。** 絕不能以任何方式改裝插頭。需接地的電動工具不能使用任何轉換插頭。未經改裝的插頭和相配的插座將減少電擊危險。
- ▶ **避免人體接觸接地表面，如管道、散熱片和冰箱。** 如果你身體接地會增加電擊危險。
- ▶ **不得將電動工具暴露在雨中或潮濕環境中。** 水進入電動工具將增加電擊危險。
- ▶ **不得濫用電線。** 絕不能用電線搬運、拉動電動工具或拔出其插頭。使電線遠離熱源、油、銳邊或運動部件。受損或纏繞的軟線會增加電擊危險。
- ▶ **當在戶外使用電動工具時，使用適合戶外使用的外接軟線。** 適合戶外使用的軟線，將減少電擊危險。
- ▶ **如果在潮濕環境下操作電動工具是不可避免的，應使用剩餘電流動作保護器（RCD）。** 使用 RCD 可減小電擊危險。

人身安全

- ▶ **保持警覺**，當操作電動工具時關注所從事的操作並保持清醒。當你感到疲倦，或在有藥物、酒精或治療反應時，不要操作電動工具。在操作電動工具時瞬間的疏忽會導致嚴重人身傷害。
- ▶ **使用個人防護裝置**。始終佩戴護目鏡。安全裝置，諸如適當條件下使用防塵面具、防滑安全鞋、安全帽、聽力防護等裝置能減少人身傷害。
- ▶ **防止意外起動**。確保開關在連接電源和 / 或電池盒、拿起或搬運工具時處於斷開位置。手指放在已接通電源的開關上或開關處於接通時插入插頭可能會導致危險。
- ▶ **在電動工具接通之前，拿掉所有調節鑰匙或扳手**。遺留在電動工具旋轉零件上的扳手或鑰匙會導致人身傷害。
- ▶ **手不要伸展得太長**。時刻注意立足點和身體平衡。這樣在意外情況下能很好地控制電動工具。
- ▶ **著裝適當**。不要穿寬鬆衣服或佩戴飾品。讓你的衣物及頭髮遠離運動部件。寬鬆衣服、佩飾或長髮可能會捲入運動部件中。
- ▶ **如果提供了與排屑、集塵設備連接用的裝置，要確保他們連接完好且使用得當**。使用這些裝置可減少塵屑引起的危險。
- ▶ **切勿因經常使用工具所累積的熟練感而過度自信，輕忽工具的安全守則**。任何一個魯莽的舉動都可能瞬間造成人員重傷。

電動工具使用和注意事項

- ▶ **不要濫用電動工具**，根據用途使用適當的電動工具。選用適當設計的電動工具會使你工作更有效、更安全。
- ▶ **如果開關不能接通或斷開工具電源，則不能使用該電動工具**。不能用開關來控制的電動工具是危險的且必須進行修理。
- ▶ **在進行任何調整、更換配件或貯存電動工具之前，必須從電源上拔掉插頭並 / 或取出電池盒**。這種防護性措施將減少工具意外起動的危險。
- ▶ **將閒置不用的電動工具貯存在兒童所及範圍之外，並且不要讓不熟悉電動工具或對這些說明不瞭解的人操作電動工具**。電動工具在未經培訓的用戶手中是危險的。
- ▶ **保養電動工具與配備**。檢查運動件是否調整到位或卡住，檢查零件破損情況和影響電動工具運行的其他狀況。如有損壞，電動工具應在使用前修理好。許多事故由維護不良的電動工具引發。
- ▶ **保持切削刀具鋒利和清潔**。保養良好的有鋒利切削刃的刀具不易卡住而且容易控制。
- ▶ **按照使用說明書，考慮作業條件和進行的作業來使用電動工具、配件和工具的刀頭等**。將電動工具用於那些與其用途不符的操作可能會導致危險。

- ▶ **把手及握持區應保持乾燥、潔淨，且不得沾染任何油液或油脂**。易滑脫的把手及握持區將無法讓您在發生意外狀況時安全地抓緊並控制工具。

檢修

- ▶ **將你的電動工具送交專業維修人員，必須使用同樣的備件進行更換**。這樣將確保所維修的電動工具的安全性。

針對研磨機的安全規章

- ▶ **只能使用本機器進行乾磨作業**。如果雨水滲入電動機器中可能導致觸電。
- ▶ **注意，有著火的危險！** 避免過度提高研磨表面和研磨機的溫度。務必利用工作空檔清除集塵器中的塵屑。囤積在集塵袋、微濾網、集塵紙袋（濾網袋或吸塵器濾網）上的塵垢，如果接觸了研磨金屬時產生的火花會產生自燃。如果研磨塵和油漆、聚亞胺脂或其它的化學原料混合後，再和經過長時間研磨而變熱的工件表面接觸，非常容易起火燃燒。
- ▶ **固定好工件**。使用固定裝置或老虎鉗固定工件，會比用手持握工件更牢固。

產品和功率描述

閱讀所有的警告提示和指示。如未確實遵循警告提示和指示，可能導致電擊、火災並且 / 或其他的嚴重傷害。

按照規定使用機器

本電動工具是設計用來進行乾式打磨。適用的材料包括：木材、塑膠、石膏牆、填縫泥以及上漆表面。

插圖上的機件

機件的編號和電動工具詳解圖上的編號一致。

- 1 起停開關
- 2 后緊固夾
- 3 磨板
- 4 夾箍（2 個）
- 5 砂紙*
- 6 前緊固夾
- 7 手柄（絕緣握柄）

*圖表或說明上提到的附件，並不包含在基本的供貨範圍中。本公司的附件清單中有完整的附件供應項目。

22 | 中文

技術性數據

平板砂磨機		GSS 140
物品代碼		3 601 BA8 ...
額定輸入功率	瓦	220
無負載轉速	次 / 分	14000
空載軌道速率	次 / 分	28000
軌道直徑	毫米	1,5
砂紙尺寸		
- 使用緊固夾的砂紙	毫米	114 x 140
磨板尺寸	毫米	105 x 113
重量符合 EPTA-Procedure 01:2014	公斤	1,2
絕緣等級		□/II

本說明書提供的參數是以 230 伏特為依據，於低電壓地區，此數據有可能不同。

安裝

- ▶ 維修電動工具或換裝零、配件之前，務必從插座上拔出插頭。

更換砂紙

安裝新的砂紙之前，先清除磨板 3 上的污垢與灰塵，例如使用毛刷。

無 Velcro 固定裝置的砂紙 (參考插圖 A - C)

- 將兩個夾箍 4 從止動機制中脫開，並將它們往下翻轉。
- 鋪入研磨片 5，並將其夾在後側夾邊條 2 底下。請注意：研磨片 5 長度不可過短，且應正確夾好。將夾箍 4 翻轉回原來位置並重新固定卡好。
- 將砂紙包裹磨板 3 並繃緊。將研磨片前端牢牢夾在前側夾邊條 6 底下。請注意：研磨片 5 長度不可過短，且應正確夾好。將夾箍 4 翻轉回原來位置並重新固定卡好。

若要取下研磨片 5，請鬆開兩側夾箍 4，並將研磨片從其固定夾具中抽出即可。

選擇砂紙

根據物料和需要的研磨效果，選擇合適的砂紙：

		粒度
red:Wood		40 - 240
加工各類木材		
進行粗加工，針對粗糙、未經過刨削的木樑和木板	粗	40, 60
磨平以及修平小的凹陷	中	80, 120
在硬木上做最後的研磨和精磨工作	細	180, 240

粒度

white:Paint

40 - 240

加工顏料 / 漆料或底料、填隙料等

磨除顏料層	粗	40, 60
拋光底色	中	80, 120
磨平底料以方便上漆	細	180, 240

吸鋸塵 / 吸鋸屑

- ▶ 含鉛的顏料以及某些木材、礦物和金屬的加工廢塵有害健康。機器操作者或者工地附近的人如果接觸、吸入這些廢塵，可能會有過敏反應或者感染呼吸道疾病。

某些塵埃 (例如加工橡木或山毛櫸的廢塵) 可能致癢，特別是和處理木材的添加劑 (例如木材的防腐劑等) 結合之後。只有經過專業訓練的人才能夠加工含石棉的物料。

- 盡可能使用適合物料的吸塵裝置。
- 工作場所要保持空氣流通。
- 最好佩戴 P2 濾網等級的口罩。

請留心並遵守貴國和加工物料有關的法規。

- ▶ 避免讓工作場所堆積過多的塵垢。塵埃容易被點燃。

操作

操作機器

- ▶ 注意電源的電壓！電源的電壓必須和電動工具銘牌上標示的電壓一致。

開動 / 關閉

開動 電動工具，按下 起停開關 1 右側的 "I" 端。

關閉 電動工具，按下 起停開關 1 左側的 "O" 端。

為了節約能源，只在當您要使用機器時，才開動電動工具。

有關操作方式的指點

- ▶ 等待電動工具停止轉動後才可以放下機器。

研磨時的剝蝕功率大小，基本上是由砂紙決定。

只有完好的砂紙才能夠提高研磨功率，並且保護電動工具。

操作機器時要均勻施壓，如此才能夠提高砂紙的使用壽命。

在機器上過度施壓，不僅無法提高研磨功率，反而容易損壞機器並提高砂紙的耗損率。

不可以使用研磨過金屬的砂紙研磨其它的物料。

只能使用博世原廠的研磨附件。

維修和服務

維修和清潔

- ▶ **維修電動工具或換裝零、配件之前，務必從插座上拔出插頭。**
- ▶ **電動工具和通風間隙都必須保持清潔，這樣才能夠提高工作品質和安全性。**

如果必須更換連接線，務必把這項工作交給博世或者經授權的博世電動工具顧客服務執行，以避免危害機器的安全性能。

顧客服務處和顧客諮詢中心

本公司顧客服務處負責回答有關本公司產品的修理、維護和備件的問題。以下的網頁中有爆炸圖和備件的資料：

www.bosch-pt.com

博世顧客諮詢團隊非常樂意為您解答有關本公司產品及附件的問題。

當您需要諮詢或訂購備用零組件時，請務必提供本產品型號銘牌上的 10 位項目編號。

台灣

台灣羅伯特博世股份有限公司

建國北路一段 90 號 6 樓

台北市 10491

電話：(02) 2515 5388

傳真：(02) 2516 1176

www.bosch-pt.com.tw

製造商地址：

Robert Bosch Power Tools GmbH

羅伯特·博世電動工具有限公司

70538 Stuttgart / GERMANY

70538 斯圖加特 / 德國

處理廢棄物

必須以符合環保的方式，回收再利用損壞的機器、附件和廢棄的包裝材料。



不可以把電動工具丟入家庭垃圾中。

保留修改權。

ภาษาไทย

คำเตือนทั่วไปเพื่อความปลอดภัยในการใช้เครื่องมือไฟฟ้า

- ⚠ คำเตือน อ่านคำเตือนเพื่อความปลอดภัย คำแนะนำภาพประกอบ และข้อมูลจำเพาะทั้งหมดที่จัดส่งมาพร้อมกับเครื่องมือไฟฟ้านี้ การไม่ปฏิบัติตามคำแนะนำทั้งหมดที่ระบุไว้ด้านล่างนี้อาจทำให้ถูกไฟฟ้าดูด เกิดไฟไหม้ และ/หรือได้รับบาดเจ็บอย่างร้ายแรง
- เก็บรักษาคำเตือนและคำแนะนำทั้งหมดไว้เป็นข้อมูลอ้างอิงในภายหลัง

คำว่า "เครื่องมือไฟฟ้า" ในคำเตือนหมายถึง เครื่องมือไฟฟ้าของทำงานที่ทำงานผ่านแหล่งจ่ายไฟฟ้าหลัก (มีสายไฟฟ้า) หรือเครื่องมือไฟฟ้าที่ทำงานผ่านแบตเตอรี่ (ไร้สาย)

ความปลอดภัยในสถานที่ทำงาน

- ▶ **รักษาสถานที่ทำงานให้สะอาดและมีไฟส่องสว่างดี** สถานที่ที่มีมืดหรืออับแสงนำมาซึ่งอุบัติเหตุ
- ▶ **อย่าใช้เครื่องมือไฟฟ้าในสภาพแวดล้อมที่เสี่ยงต่อการติดระเบิดได้ เช่น ในพื้นที่มีของเหลว แก๊ส หรือฝุ่นที่ติดไฟได้** เมื่อใช้เครื่องมือไฟฟ้าจะเกิดประกายไฟซึ่งอาจจุดฝุ่นหรือไอให้ลุกเป็นไฟได้
- ▶ **ขณะใช้เครื่องมือไฟฟ้าทำงาน ต้องกั้นเด็กและผู้ยืมดูให้ออกห่าง** การหันเหความสนใจอาจทำให้ท่านขาดการควบคุมเครื่องมือได้

ความปลอดภัยเกี่ยวกับไฟฟ้า

- ▶ **ปลั๊กของเครื่องมือไฟฟ้าต้องมีขนาดพอดีกับเต้าเสียบ** อย่าตัดปลั๊กหรือแก๊ซตัวปลั๊กอย่างเด็ดขาด อย่าต่อปลั๊กต่อใดๆ เข้ากับเครื่องมือไฟฟ้าที่มีสายดิน ปลั๊กที่ไม่ตัดปลั๊กและเต้าเสียบที่เข้ากันช่วยลดความเสี่ยงจากการถูกไฟฟ้าดูด
- ▶ **หลีกเลี่ยงไม่ให้ร่างกายสัมผัสกับพื้นผิวของสิ่งของที่ต่อสายดินไว้ เช่น ท่อ เครื่องทำความร้อน เตา และตู้เย็น** จะเสี่ยงอันตรายจากการถูกไฟฟ้าดูดมากขึ้นหากกระแสไฟฟ้าวิ่งผ่านร่างกายของท่านลงดิน
- ▶ **อย่าวางเครื่องมือไฟฟ้าตากฝนหรือทิ้งไว้ในที่ชื้นและหากน้ำเข้าในเครื่องมือไฟฟ้า จะเพิ่มความเสี่ยงจากการถูกไฟฟ้าดูด**
- ▶ **อย่าใช้สายไฟฟ้าอย่างผิดๆ** อย่าถือเครื่องมือไฟฟ้าที่สาย อย่าใช้สายเครื่อง หรืออย่าดึงสายไฟฟ้าเพื่อถอดปลั๊กออกจากเต้าเสียบ กั้นสายไฟฟ้าออกจากความร้อน น้ำมัน ขอบแหลมคม หรือส่วนของเครื่องที่กำลังเคลื่อนไหว สายไฟฟ้าที่ชำรุดหรือพันกันยุ่งเพิ่มความเสียหายจากการถูกไฟฟ้าดูด
- ▶ **เมื่อใช้เครื่องมือไฟฟ้าทำงานกลางแจ้ง ให้ใช้สายไฟต่อที่ได้รับการรับรองให้ใช้ต่อในที่กลางแจ้งเท่านั้น** การใช้สายไฟต่อที่เหมาะสมสำหรับงานกลางแจ้งช่วยลดอันตรายจากการถูกไฟฟ้าดูด
- ▶ **หากไม่สามารถหลีกเลี่ยงการใช้เครื่องมือไฟฟ้าทำงานในสถานที่เปียกชื้นได้ ให้ใช้วิธีหัดดวงจรเมื่อเกิดการรั่วไหลของไฟฟ้าจากสายดิน** การใช้วิธีหัดดวงจรเมื่อเกิดการรั่วไหลของไฟฟ้าจากสายดินช่วยลดความเสี่ยงต่อการถูกไฟฟ้าดูด

24 | ภาษาไทย

ความปลอดภัยของบุคคล

- ▶ **ท่านต้องอยู่ในสภาพเตรียมพร้อม ระมัดระวัง** ในสิ่งที่กำลังทำอยู่ และมีสติขณะใช้เครื่องมือไฟฟ้าทำงาน อย่าใช้เครื่องมือไฟฟ้าขณะที่ท่านกำลังเหนื่อย หรืออยู่ภายใต้การครอบงำของฤทธิ์ของยาเสพติด แอลกอฮอล์ และยา เมื่อใช้เครื่องมือไฟฟ้าทำงาน ในชั้นเวลาที่ท่านขาดความเอาใจใส่อาจทำให้บุคคลบาดเจ็บอย่างรุนแรงได้
- ▶ **ใช้อุปกรณ์ปกป้องร่างกาย สวมแว่นตาป้องกันเสมอ** อุปกรณ์ปกป้อง เช่น หน้ากากกันฝุ่น รองเท้ากันลื่น หมวกแข็ง หรือประภทกันเสียงดัง ที่เลือกใช้ตามความเหมาะสมกับสภาพการทำงาน สามารถลดอันตรายต่อบุคคลได้
- ▶ **ป้องกันการติดเครื่องโดยไม่ตั้งใจ ต้องดูให้แน่ใจว่าสวิตช์อยู่ในตำแหน่งปิดก่อนเสียบปลั๊กไฟเข้าในเต้าเสียบ และ/หรือ ใส่เบตเตอร์แพ็ค ยกขึ้นหรือถือเครื่องมือ** การถือเครื่องโดยใช้นิ้วหัวที่สวิตช์ หรือเสียบปลั๊กไฟขณะที่สวิตช์เปิดอยู่ อาจนำไปสู่อุบัติเหตุที่ร้ายแรงได้
- ▶ **เอาเครื่องมือปรับแต่งหรือประแจปากตายออกจากเครื่องมือไฟฟ้าก่อนเปิดสวิตช์** เครื่องมือหรือประแจปากตายที่วางอยู่กับส่วนของเครื่องที่กำลังหมุนจะทำให้บุคคลบาดเจ็บได้
- ▶ **หลีกเลี่ยงการตั้งที่ผิดปกติ ตั้งที่ยืนที่มั่นคงและวางน้ำหนักให้สมดุลตลอดเวลา** ในลักษณะนี้ท่านสามารถควบคุมเครื่องมือไฟฟ้าในสถานการณ์ที่ไม่คาดคิดได้ดีกว่า
- ▶ **แต่งกายให้เหมาะสมอย่าใส่เสื้อผ้าหลวมหรือสวมเครื่องประดับอาหวมและเสื้อผ้าออกห่างจากส่วนของเครื่องที่กำลังหมุน** เสื้อผ้าหลวม เครื่องประดับ และผมยาวอาจเข้าไปติดในส่วนของเครื่องที่กำลังหมุนได้
- ▶ **หากต้องต่อเครื่องมือไฟฟ้าเข้ากับเครื่องดูดฝุ่นหรือเครื่องเก็บผง ดูให้แน่ใจว่าการเชื่อมต่อและการใช้งานเป็นไปอย่างถูกต้อง** การใช้อุปกรณ์ดูดฝุ่นช่วยลดอันตรายที่เกิดจากฝุ่นได้
- ▶ **เมื่อใช้งานเครื่องมือบ่อยครั้งจะเกิดความคุ้นเคย** อย่านำให้ความคุ้นเคยทำให้ท่านเกิดความชะล่าใจและละเลยกฎเกณฑ์ด้านความปลอดภัยในการใช้งานเครื่อง การทำงานอย่างไม่ระมัดระวังอาจทำให้เกิดการบาดเจ็บอย่างร้ายแรงภายในเสี้ยววินาที

การใช้และการดูแลรักษาเครื่องมือไฟฟ้า

- ▶ **อย่าใช้เครื่องมือไฟฟ้าอย่างหักโหม ใช้เครื่องมือไฟฟ้าที่ถูกต้องตรงตามลักษณะงาน** เครื่องมือไฟฟ้าที่ถูกต้องจะทำงานได้ดีกว่าและปลอดภัยกว่าในระดับสมรรถภาพที่ออกแบบไว้
- ▶ **อย่าใช้เครื่องมือไฟฟ้าที่สวิตช์เปิดปิดเสีย** เครื่องมือไฟฟ้าที่ไม่สามารถควบคุมการเปิดปิดด้วยสวิตช์ได้ เป็นเครื่องมือไฟฟ้าที่ไม่ปลอดภัยและต้องส่งซ่อมแซม
- ▶ **ก่อนปรับแต่งเครื่อง เปลี่ยนอุปกรณ์ประกอบ หรือเก็บเครื่องเข้าที่ ต้องถอดปลั๊กไฟออกจากเต้าเสียบ และ/หรือ นำแบตเตอรี่แพ็คที่ถอดได้ออกจากเครื่องมือไฟฟ้า** มาตรการป้องกันเพื่อความปลอดภัยนี้ช่วยลดความเสี่ยงจากการติดเครื่องโดยไม่ตั้งใจ
- ▶ **เมื่อเลิกใช้งานเครื่องมือไฟฟ้า ให้เก็บเครื่องไว้ในที่ที่เด็กหยิบไม่ถึง และไมอนุญาตให้บุคคลที่ไม่คุ้นเคยกับเครื่องหรือบุคคลที่ไม่ได้อ่านคำแนะนำนำใช้เครื่อง**

เครื่องมือไฟฟ้าเป็นของอันตรายหากตกอยู่ในมือของผู้ใช้ที่ไม่ได้รับการฝึกฝน

- ▶ **ดูแลรักษาเครื่องมือไฟฟ้าและอุปกรณ์ประกอบตรวจสอบชิ้นส่วนที่เคลื่อนไหว** ได้ว่าบีบเม็ยหรือติดขัดหรือไม่ ตรวจสอบการแตกหักของชิ้นส่วนและสภาพอินโดที่อาจส่งผลกระทบต่อการทำงานของเครื่องมือไฟฟ้า หากชำรุดต้องส่งเครื่องมือไฟฟ้าไปซ่อมแซมก่อนใช้งาน อุบัติเหตุหลายอย่างเกิดขึ้นเนื่องจากดูแลรักษาเครื่องไม่ดีพอ
- ▶ **รักษาเครื่องมือตัดให้คมและสะอาด** หากบำรุงรักษาเครื่องมือที่มีขอบตัดแหลมคมอย่างถูกต้อง จะสามารถตัดได้ลื่นไม่ติดขัดและควบคุมได้ง่ายกว่า
- ▶ **ใช้เครื่องมือไฟฟ้า อุปกรณ์ประกอบ เครื่องมือ และอุปกรณ์อื่นๆ ให้ตรงตามคำแนะนำ และในลักษณะตามที่เครื่องมือไฟฟ้าประเภทนั้นๆ กำหนดไว้** โดยต้องคำนึงถึงเงื่อนไขการทำงานและงานที่จะทำด้วย การใช้เครื่องมือไฟฟ้าทำงานที่ต่างไปจากวัตถุประสงค์การใช้ งานของเครื่อง อาจนำไปสู่สถานการณ์ที่เป็นอันตรายได้
- ▶ **ดูแลตามจับและพื้นผิวจับให้แห้ง สะอาด และปราศจากคราบน้ำมันและจาระบี** ตามจับและพื้นผิวจับที่ลื่นทำให้หยิบจับได้ไม่ปลอดภัย และไม่สามารถควบคุมเครื่องมือในสถานการณ์ที่ไม่คาดคิด

การบริการ

- ▶ **ส่งเครื่องมือไฟฟ้าให้ช่างผู้เชี่ยวชาญตรวจสอบและใช้อะไหล่เปลี่ยนของแท้เท่านั้น** ในลักษณะนี้ท่านจะแน่ใจได้ว่าเครื่องมือไฟฟ้าอยู่ในสภาพที่ปลอดภัย

คำเตือนเพื่อความปลอดภัยสำหรับเครื่องขัด

- ▶ **เครื่องมือนี้ใช้สำหรับการขัดเท่านั้น** หากนำซึ่มลวดเข้าในตัวเครื่องจะเพิ่มความเสี่ยงจากการถูกไฟฟ้าดูด
- ▶ **ระวังอันตรายจากการลุกไหม้!** หลีกเลี่ยงอย่าให้วัสดุชิ้นงานและเครื่องขัดร้อนเกินไป ถ่ายผงออกจากกล่องเก็บผงก่อนพักงานทุกครั้ง ในสถานการณ์ที่ไม่เหมาะสม ด.ย. เช่น เมื่อเกิดประกายไฟจากโลหะที่กำลังขัด เศษผงที่ได้จากการขัดที่อยู่ในถุงเก็บผง เครื่องกรองไมโคร หรือถุงกระดาษ (หรือในถุงกรอง หรือเครื่องกรองของเครื่องดูดฝุ่น) อาจจุดลุกเป็นไฟขึ้นเองได้ โดยเฉพาะอย่างยิ่งเมื่อเศษผงผสมปนกับเศษน้ำมันเคลือบเงา เศษโพลียูรีเทน หรือเศษวัสดุเคมีอื่นๆ และเมื่อเศษผงขัดเกิดร้อนขึ้นหลังจากใช้เครื่องทำงานเป็นเวลานาน
- ▶ **ยึดชิ้นงานให้แน่น** การยึดชิ้นงานด้วยเครื่องมือหนีบหรือแท่นจับจะมั่นคงกว่าการยึดด้วยมือ

รายละเอียดผลิตภัณฑ์และข้อมูลจำเพาะ

ต้องอ่านคำเตือนเพื่อความปลอดภัยและคำสั่งทั้งหมด การไม่ปฏิบัติตามคำเตือนและคำสั่งอาจเป็นสาเหตุให้ถูกไฟฟ้าดูด เกิดไฟไหม้ และ/หรือได้รับบาดเจ็บอย่างร้ายแรง

ประโยชน์การใช้งานของเครื่อง

เครื่องมือไฟฟ้านี้ใช้สำหรับการขัดแห้งบนไม้ พลาสติก ผนังเบาหรือแผ่นยิปซัม (drywall) วัสดุอุดรู และพื้นผิวเคลือบ

ส่วนประกอบผลิตภัณฑ์

ลำดับเลขของส่วนประกอบผลิตภัณฑ์อ้างอิงถึงส่วนประกอบของเครื่องที่แสดงในหน้าภาพประกอบ

- 1 สวิตช์เปิด-ปิด
- 2 ก้านหนีบท้าย
- 3 แผ่นฐานขัด
- 4 ก้านหนีบ (2x)
- 5 กระจกทราย*
- 6 ก้านหนีบหน้า
- 7 ตามจับ (พื้นผิวจับทั้งหมด)

*อุปกรณ์ประกอบที่แสดงหรือระบุไม่รวมอยู่ในการจัดส่งมาตรฐาน กรุณาดูอุปกรณ์ประกอบทั้งหมดในรายการแสดงอุปกรณ์ประกอบของเรา

ข้อมูลทางเทคนิค

เครื่องขัดเส้นสะท้อน	GSS 140	
หมายเลขสินค้า		3 601 BA8 ...
กำลังไฟฟ้าเข้ากำหนด	วัตต์	220
ความเร็วรอบเดินตัวเปล่า	รอบ/นาที	14000
อัตราแกว่งเส้นสะท้อนเดินตัวเปล่า	รอบ/นาที	28 000
เส้นผ่าศูนย์กลางระยะแกว่งสะท้อน	มม.	1.5
ขนาดกระจกทราย		
- ติดโดยก้านหนีบ	มม.	114 x 140
ขนาดแผ่นฐานขัด	มม.	105 x 113
น้ำหนักตามระเบียบการ-EPTA-Procedure 01:2014	กก.	1.2
ระดับความปลอดภัย		□/II
คำที่ใช้ใช้ได้กับแรงดันไฟฟ้าระบุ [U] 230 โวลต์ ค่าเหล่านี้อาจผิดเพี้ยนไปสำหรับแรงดันไฟฟ้าที่ต่ำกว่า และโมเดลที่สร้างสำหรับเฉพาะประเทศ		

การประกอบ

▶ ดึงปลั๊กไฟออกจากเต้าเสียบก่อนปรับแต่งเครื่อง

การเปลี่ยนกระจกทราย

เมื่อต้องการใส่กระจกทรายแผ่นใหม่ ให้เอาฝุ่นหรือเศษวัสดุใดๆ ออกจากแผ่นฐาน 3 (ต. ย. เช่น ใช้แปรงปัด)

กระจกทรายชนิดไม้เชื่อมประสาน (คุณภาพประกอบ A-C)

- 1 ปลดก้านหนีบทั้งสอง 4 ออกจากล๊อคและหมุนก้านลงมา
- 2 สอดกระจกทราย 5 เข้าใต้ก้านหนีบท้าย 2 ตรวจสอบให้แน่ใจว่ากระจกทราย 5 ไม่ลื่นเกินไปและได้ถูกยึดหนีบไว้อย่างถูกต้อง หมุนก้านหนีบ 4 กลับไปที่ตำแหน่งเริ่มต้นและล๊อคก้านไว้ตรงนั้น

- 3 วางกระจกทรายเหยียดให้ตั้งรอบแผ่นฐานขัด 3 ยึดส่วนหน้าของกระจกทรายโดยหนีบไว้ใต้ก้านหนีบหน้า 6 ตรวจสอบให้แน่ใจว่ากระจกทราย 5 ไม่ลื่นเกินไปและได้ถูกยึดหนีบไว้อย่างถูกต้องหมุนก้านหนีบ 4 กลับไปที่ตำแหน่งเริ่มต้น และล๊อคก้านไว้ตรงนั้น

เมื่อต้องการถอดกระจกทราย 5 ให้ปลดก้านหนีบทั้งสอง 4 ออก และดึงกระจกทรายออกจากที่ยึด

การเลือกกระจกทราย

เลือกใช้กระจกทรายชนิดต่างๆ กัน ตามประเภทวัสดุชิ้นงาน และตามความหนาบางที่ต้องการขัดออก:

ขนาดเม็ดทราย

red:Wood

40 – 240

สำหรับขัดไม้ทุกประเภท

สำหรับขัดหยาบ ต. ย. เช่น ไม้คาน และแผ่นกระดานขรุขระไม่เรียบ หยาบ 40, 60

สำหรับขัดแต่งพื้นผิวและปรับผิวขรุขระเล็กน้อยให้เรียบ ปานกลาง 80, 120

สำหรับขัดสำเร็จและขัดละเอียด ไม้เนื้อแข็ง ละเอียด 180, 240

white:Paint

40 – 240

สำหรับขัดสี/ผิวเคลือบเงาหรือวัสดุรองพื้น และวัสดุอุดรู

สำหรับขัดล๊อค หยาบ 40, 60

สำหรับขัดสีรองพื้น ปานกลาง 80, 120

สำหรับขัดสีรองพื้นชั้นสุดท้ายก่อนฉาบผิว ละเอียด 180, 240

การดูแลฝุ่น/ขี้เลื่อย

- ▶ ฝุ่นที่ได้จากวัสดุ เช่น เคลือบผิวที่มีสารตะกั่ว ไม้ยางประเภทแร้อาต และโลหะ อาจเป็นอันตรายต่อสุขภาพ การสัมผัสหรือการหายใจเอาฝุ่นเข้าไปอาจทำให้เกิดปฏิกิริยาแพ้ฝุ่นและ/หรือนำมาซึ่งโรคติดเชื้อระบบหายใจแก่ผู้ใช้เครื่องหรือผู้ที่ยืนอยู่ใกล้เคียง

ฝุ่นบางประเภท เช่น ฝุ่นไม้โอ๊ก หรือไม้บีช นับเป็นสารที่ทำให้เกิดมะเร็ง โดยเฉพาะอย่างยิ่งเมื่อผสมกับสารเติมแต่งเพื่อบำบัดไม้ (โครเมต ผลิตภัณฑ์รักษาเนื้อไม้) สำหรับวัสดุที่มีแอลเบลสทอลต้องให้ผู้เชี่ยวชาญทำงานเท่านั้น

- ใช้ระบบดูดฝุ่นออกที่เหมาะสมกับประเภทวัสดุ มากเท่าที่จะทำได้
- จัดสถานที่ทำงานให้มีการระบายอากาศที่ดี
- ขอแนะนำให้สวมหน้ากากป้องกันการติดเชื้อที่มีระดับ-ไส้กรอง P2

ปฏิบัติตามกฎข้อบังคับสำคัญอื่นๆ ที่เกี่ยวกับวัสดุชิ้นงานที่บังคับใช้ในประเทศของท่าน

- ▶ **ป้องกันการสะสมของฝุ่นในสถานที่ทำงาน** ฝุ่นสามารถถูกใหม่อย่างง่ายดาย

26 | Bahasa Indonesia

การปฏิบัติงาน**เริ่มต้นปฏิบัติงาน**

- ▶ ให้สังเกตแรงดันไฟฟ้า! แรงดันไฟฟ้าจากแหล่งจ่ายไฟฟ้าต้องมีค่าตรงกับค่าแรงดันไฟฟ้าที่ระบุไว้บนแผ่นป้ายติดเครื่อง

การเปิด-ปิดเครื่อง

เปิดเครื่องทำงานโดยกดสวิตช์เปิด-ปิด 1 ไปทางขวาที่ตำแหน่ง "I"

ปิดเครื่องโดยกดสวิตช์เปิด-ปิด 1 ไปทางซ้ายที่ตำแหน่ง "0" เพื่อประหยัดพลังงาน เปิดสวิตช์เครื่องมือไฟฟ้าเฉพาะเมื่อใช้งานเท่านั้น

ข้อแนะนำในการทำงาน

- ▶ กอนางเครื่องลงบนพื้น ต้องรองจนเครื่องหยุดนิ่งอยู่กับที่แล้ว

ขณะขัด ประสิทธิภาพในการขัดออก ส่วนใหญ่จะถูกกำหนดโดยชนิดของกระดาษทรายที่เลือกใช้

กระดาษทรายสภาพดีเท่านั้นที่จะขัดได้ดีมีประสิทธิภาพและช่วยยืดอายุการใช้งานของเครื่อง

เอาใจใส่กดเครื่องลงบนชิ้นงานด้วยแรงกดที่ราบเรียบเสมอกันเพื่อยืดอายุการทำงานของกระดาษทราย

การกดเครื่องลงมากเกินไปไม่ช่วยเพิ่มประสิทธิภาพการขัด แต่จะทำให้เครื่องและกระดาษทรายสึกเร็วขึ้น

กระดาษทรายที่ขัดโลหะไปแล้ว ไม่ควรนำมาขัดวัสดุประเภทอื่น

ใช้เฉพาะอุปกรณ์ขัดของแท้ของ บ็อช เท่านั้น

การบำรุงรักษาและการบริการ**การบำรุงรักษาและการทำความสะอาด**

- ▶ ดึงปลั๊กไฟออกจากเต้าเสียบก่อนปรับแต่งเครื่อง
- ▶ เพื่อให้ทำงานได้อย่างถูกต้องและปลอดภัย ต้องรักษาเครื่องและช่องระบายอากาศให้สะอาดอยู่เสมอ

เมื่อจำเป็นต้องเปลี่ยนสายไฟฟ้า ให้ส่งเครื่องให้บริษัท บ็อชหรือศูนย์บริการลูกค้าสำหรับเครื่องมือไฟฟ้า บ็อช ที่ได้รับมอบหมายทำการเปลี่ยนให้ เพื่อหลีกเลี่ยงอันตรายด้านความปลอดภัย

การบริการหลังการขายและคำแนะนำการใช้งาน

ศูนย์บริการหลังการขายของเรายินดีตอบคำถามเกี่ยวกับการบำรุงรักษาและการซ่อมแซมผลิตภัณฑ์ของท่าน รวมทั้งชิ้นส่วนอะไหล่ ภาพแยกชิ้นประกอบและข้อมูลเกี่ยวกับชิ้นส่วนอะไหล่ยังสามารถดูได้ใน:

www.bosch-pt.com

ทีมงานให้คำแนะนำการใช้งานของ บ็อช ยินดีตอบคำถามเกี่ยวกับผลิตภัณฑ์ของเราและอุปกรณ์ประกอบของผลิตภัณฑ์ เมื่อต้องการสอบถามและสั่งซื้ออะไหล่ กรุณาแจ้งหมายเลขสินค้า 10 หลักบนแผ่นป้ายรุ่นของผลิตภัณฑ์ทุกครั้ง

ไทย

บริษัท โรเบิร์ต บ็อช จำกัด
ชั้น 11 ดิกลีเบอร์ตี สแควร์
287 ถนนสีลม บางรัก
กรุงเทพฯ 10500
โทรศัพท์ 02 6393111
โทรสาร 02 2384783
บริษัท โรเบิร์ต บ็อช จำกัด ตู้ ปณ. 2054
กรุงเทพฯ 10501 ประเทศไทย
www.bosch.co.th

ศูนย์บริการซ่อมและฝึกอบรม บ็อช
อาคาร ลาซาลทาวเวอร์ ชั้น G ห้องเลขที่ 2
บ้านเลขที่ 10/11 หมู่ 16
ถนนศรีนครินทร์
ตำบลบางแก้ว อำเภอบางพลี
จังหวัดสมุทรปราการ 10540
ประเทศไทย
โทรศัพท์ 02 7587555
โทรสาร 02 7587525

การกำจัดขยะ

เครื่องมือ อุปกรณ์ประกอบ และหีบห่อ ต้องนำไปแยกประเภทวัสดุเพื่อนำกลับมาใช้ใหม่โดยไม่ทำลายสภาพแวดล้อม

อย่าทิ้งเครื่องมือไฟฟ้าลงในขยะบ้าน!



ขอสงวนสิทธิ์ในการเปลี่ยนแปลงโดยไม่ต้องแจ้งล่วงหน้า

Bahasa Indonesia**Keselamatan Kerja Power Tool Umum**

⚠ PERHATIKANLAH Baca seluruh petunjuk keselamatan kerja, ilustrasi dan spesifikasi yang diberikan bersama perkakas listrik ini. Kesalahan dalam menjalankan petunjuk-petunjuk untuk keselamatan kerja di bawah ini dapat mengakibatkan kontak listrik, kebakaran dan/atau luka berat.

Simpan semua petunjuk keselamatan kerja sebagai informasi lebih lanjut.

Istilah „power tool” dalam petunjuk keselamatan mengacu pada perkakas listrik utama Anda yang dioperasikan dengan kabel atau dengan baterai (tanpa kabel).

Keselamatan kerja di tempat kerja

▶ **Jagalah supaya tempat kerja selalu bersih dan terang.** Tempat kerja yang tidak rapi atau tidak terang dapat mengakibatkan terjadinya kecelakaan.

▶ **Janganlah menggunakan perkakas listrik di tempat di mana dapat terjadi ledakan, di mana ada cairan, gas atau debu yang mudah terbakar.** Perkakas listrik dapat memancarkan bunga api yang lalu mengakibatkan debu atau uap terbakar.

- ▶ **Selama menggunakan perkakas listrik, jauhkan anak-anak dan orang-orang lain dari tempat kerja.** Jika konsentrasi terganggu, bisa jadi Anda tidak bisa mengendalikan perkakas listrik tersebut.

Keamanan listrik

- ▶ **Steker dari perkakas listrik harus cocok pada stopkontak. Janganlah sekali-kali merubah steker. Janganlah menggunakan steker perantara bersama dengan perkakas listrik yang mempunyai hubungan arde.** Steker yang tidak dirubah dan stopkontak yang cocok mengurangi bahaya terjadinya kontak listrik.
 - ▶ **Jagalah supaya badan Anda tidak bersentuhan dengan permukaan yang mempunyai hubungan arde, misalnya pipa-pipa, radiator pemanas ruangan, kompor listrik dan lemari es.** Ada risiko besar terjadi kontak listrik, jika badan Anda mempunyai hubungan arde.
 - ▶ **Jagalah supaya perkakas listrik tidak kena hujan atau menjadi basah.** Air yang masuk ke dalam perkakas listrik menambah risiko terjadinya kontak listrik.
 - ▶ **Janganlah menyalah gunakan kabel listrik untuk mengangkat dan menggantungkan perkakas listrik atau untuk menarik steker dari stopkontak. Jagalah supaya kabel listrik tidak kena panas, minyak, pinggiran yang tajam atau bagian-bagian perkakas yang bergerak.** Kabel listrik yang rusak atau tersangkut menambah risiko terjadinya kontak listrik.
 - ▶ **Jika Anda menggunakan perkakas listrik di luar gedung, gunakanlah hanya kabel sambungan yang juga cocok untuk pemakaian di luar gedung.** Penggunaan kabel sambungan yang cocok untuk pemakaian di luar gedung mengurangi risiko terjadinya kontak listrik.
 - ▶ **Jika penggunaan perkakas listrik di tempat yang basah tidak bisa dihindarkan, gunakanlah sakelar pengaman terhadap arus penyimpangan.** Penggunaan sakelar pengaman terhadap arus penyimpangan mengurangi risiko terjadinya kontak listrik.
- #### Keselamatan kerja
- ▶ **Berhati-hatilah selalu, perhatikanlah apa yang Anda kerjakan dan bekerjalah dengan seksama jika menggunakan perkakas listrik. Janganlah menggunakan perkakas listrik, jika Anda capai atau berada di bawah pengaruh narkoba, minuman keras atau obat.** Jika Anda sekejap mata saja tidak berhati-hati sewaktu menggunakan perkakas listrik, dapat terjadi luka-luka berat.
 - ▶ **Pakailah pakaian dan sarana pelindung dan pakailah selalu kaca mata pelindung.** Dengan memakai pakaian dan sarana pelindung, misalnya kedok anti debu (masker), sepatu tertutup yang tidak licin, helm pelindung atau pemalut telinga sesuai dengan pekerjaan yang dilakukan dengan perkakas listrik, bahaya terjadinya luka-luka dapat dikurangi.
 - ▶ **Jagalah supaya perkakas listrik tidak dihidupkan secara tidak disengaja. Perhatikan bahwa perkakas listrik dalam penyetalan mati, jika steker disambungkan pada pengadaan listrik dan/atau baterai, jika perkakas listrik diangkat atau dibawa.** Jika

selama mengangkat perkakas listrik jari Anda berada pada tombol untuk menghidupkan dan mematikan atau perkakas listrik yang dalam penyetalan hidup disambungkan pada listrik, dapat terjadi kecelakaan.

- ▶ **Lepaskan semua perkakas-perkakas penyetalan atau kunci-kunci pas sebelum perkakas listrik dihidupkan.** Perkakas atau kunci yang berada di dalam bagian yang berputar dapat mengakibatkan terjadinya luka-luka.
- ▶ **Aturkan badan sedemikian sehingga Anda bisa bekerja dengan aman. Berdirilah secara mantap dan jagalah selalu keseimbangan.** Dengan demikian Anda bisa mengendalikan perkakas listrik dengan lebih baik, jika terjadi sesuatu dengan tiba-tiba.
- ▶ **Pakailah pakaian yang cocok. Janganlah memakai pakaian yang longgar atau perhiasan. Jagalah supaya rambut dan pakaian Anda tidak masuk dalam bagian-bagian perkakas yang bergerak.** Pakaian yang longgar, rambut panjang atau perhiasan dapat tersangkut dalam bagian perkakas yang bergerak.
- ▶ **Jika ada kemungkinan untuk memasang sarana penghisapan dan penampungan debu, perhatikan bahwa sarana-sarana ini telah dipasangkan dan digunakan dengan betul.** Penggunaan sarana penghisapan bisa mengurangi bahaya yang disebabkan debu.
- ▶ **Jangan biarkan kemudahan yang didapat karena kebiasaan penggunaan yang terlalu sering membuat anda puas sehingga mengabaikan prinsip-prinsip keamanan penggunaan alat.** Tindakan yang kurang hati-hati dapat mengakibatkan luka berat dalam waktu sepersekian detik.

Penggunaan dan penanganan perkakas listrik dengan seksama

- ▶ **Janganlah membebankan perkakas listrik terlalu berat. Gunakan selalu perkakas listrik yang cocok untuk pekerjaan yang dilakukan.** Dengan perkakas listrik yang cocok Anda bekerja lebih baik dan lebih aman dalam batas-batas kemampuan yang ditentukan.
- ▶ **Janganlah menggunakan perkakas listrik yang tombolnya rusak.** Perkakas listrik yang tidak bisa dihidupkan atau dimatikan, berbahaya dan harus direparasikan.
- ▶ **Tariklah steker dari stopkontak dan/atau keluarkan baterai, jika dapat dilepas, sebelum Anda melakukan penyetalan pada perkakas listrik, mengganti alat-alat kerja atau sebelum menyimpan perkakas listrik.** Tindakan keselamatan kerja ini mengurangi bahaya perkakas listrik hidup secara tidak disengaja.
- ▶ **Simpanlah perkakas listrik yang tidak digunakan di luar jangkauan anak-anak. Janganlah mengizinkan orang-orang yang tidak mengenal perkakas listrik ini atau yang belum membaca petunjuk-petunjuk ini, menggunakan perkakas listrik ini.** Perkakas listrik bisa menjadi berbahaya, jika digunakan oleh orang-orang yang tidak mengenalnya.

28 | Bahasa Indonesia

- ▶ **Rawatlah perkakas listrik dan alat-alatnya.**Periksalah, apakah bagian-bagian perkakas listrik yang bergerak berfungsi dengan baik dan tidak tersangkut, apakah ada bagian-bagian yang patah atau rusak sedemikian, sehingga dapat mempengaruhi jalannya perkakas listrik. Biarkan bagian-bagian perkakas yang rusak direparasikan, sebelum Anda mulai menggunakan perkakas listrik. Banyak kecelakaan terjadi karena perkakas listrik tidak dirawat dengan seksama.
- ▶ **Perhatikan supaya alat-alat pemotong selalu tajam dan bersih.** Alat-alat pemotong dengan mata-mata pemotong yang tajam dan dirawat dengan seksama tidak mudah tersangkut dan lebih mudah dikendalikan.
- ▶ **Gunakanlah semua perkakas listrik, aksesoris, alat-alat kerja dsb. sesuai dengan petunjuk-petunjuk.** Perhatikan syarat-syarat kerja dan macam pekerjaan yang dilakukan. Penggunaan perkakas listrik untuk macam pekerjaan yang tidak cocok dengan kegunaannya bisa mengakibatkan keadaan yang berbahaya.
- ▶ **Jaga handel dan permukaan gagang agar tetap kering, bersih dan bebas dari minyak dan lemak.** Handel dan permukaan gagang yang licin tidak menjamin keselamatan kerja dan kontrol alat yang baik pada situasi yang tidak diinginkan.

Servis

- ▶ **Biarkan perkakas listrik Anda direparasikan hanya oleh orang-orang ahli yang berpengalaman dan hanya dengan menggunakan suku cadang yang asli.** Dengan demikian terjamin keselamatan kerja dengan perkakas listrik ini secara berkesinambungan.

Petunjuk-petunjuk untuk keselamatan kerja untuk mesin gerinda

- ▶ **Gunakanlah perkakas listrik ini hanya untuk pengampelasan tanpa air.** Air yang masuk ke dalam perkakas listrik membuat risiko terjadinya kontak listrik menjadi besar.
- ▶ **Ada bahaya terjadi kebakaran! Perhatikanlah supaya benda yang dikerjakan dan perkakas tidak menjadi terlalu panas. Sebelum istirahat kerja, kosongkan selalu penampung debu.** Debu ampelas di dalam kantong debu, filter mikro, kantong kertas (atau di dalam kantong filter atau filter dari alat penghisap debu) kadang-kadang bisa terbakar dengan sendirinya, misalnya oleh pemancaran bunga api yang terjadi selama mengerjakan logam-logam. Bahaya menjadi lebih besar jika debu tercampur dengan sisa-sisa cat, poliuretan atau bahan-bahan kimia lainnya dan jika benda yang dikerjakan menjadi panas setelah digunakan untuk waktu yang lama.
- ▶ **Usahakan supaya benda yang dikerjakan tidak goyang.** Benda yang ditahan dalam alat pemegang atau bais lebih mantap daripada benda yang dipegang dengan tangan.

Penjelasan tentang produk dan daya

Bacalah semua petunjuk-petunjuk untuk keselamatan kerja dan petunjuk-petunjuk untuk penggunaan. Kesalahan dalam menjalankan petunjuk-petunjuk untuk keselamatan kerja dan petunjuk-petunjuk untuk penggunaan dapat mengakibatkan kontak listrik, kebakaran dan/atau luka-luka yang berat.

Penggunaan alat

Perkakas listrik ini dirancang untuk proses pengampelasan kering pada kayu, plastik, papan gips, plester, serta permukaan yang dicat.

Bagian-bagian pada gambar

Nomor-nomor dari bagian-bagian perkakas pada gambar sesuai dengan gambar perkakas listrik pada halaman bergambar.

- 1 Tombol untuk menghidupkan dan mematikan
- 2 Jepitan belakang
- 3 Alas ampelas
- 4 Braket penjepit (2x)
- 5 Daun ampelas*
- 6 Jepitan depan
- 7 Pegangan (genggaman terisolir)

*Aksesori yang ada pada gambar atau yang dijelaskan, tidak termasuk pasokan standar. Semua aksesori yang ada bisa Anda lihat dalam program aksesori Bosch.

Data teknis

Mesin ampelas orbital		GSS 140
Nomor model		3 601 BA8 ...
Masukan nominal	W	220
Kecepatan putaran tanpa beban	min ⁻¹	14 000
Banyaknya getaran tanpa beban	min ⁻¹	28 000
Diameter gerak lingkaran	mm	1,5
Ukuran daun ampelas – dengan tegangan jepitan	mm	114 x 140
Ukuran alas ampelas	mm	105 x 113
Berat sesuai dengan EPTA- Procedure 01:2014	kg	1,2
Klasifikasi keamanan		□/II

Data-data berlaku untuk tegangan nominal [U] 230 V. Pada tegangan yang lebih rendah dan pada model khusus mancanegara data-data ini bisa berlainan.

Cara memasang

- ▶ **Sebelum mulai dengan pekerjaan pada perkakas listrik, tariklah steker dari stopkontak.**

Mengganti daun ampelas

Sebelum memasang daun ampelas yang baru, bersihkan dahulu alas ampelas 3 dari pencemaran dan debu, misalnya dengan menggunakan kuas.

Daun ampelas tanpa kait-kaitan (lihat gambar-gambar A – C)

- ❶ Lepaskan kedua braket penjepit **4** dari penguncian dan ayunkan ke arah bawah.
- ❷ Arahkan amplas gerinda (flap disk) **5** di bawah pin penjepit belakang **2**. Perhatikan bahwa amplas gerinda (flap disk) **5** tidak terlalu pendek dan terjepit dengan benar. Ayunkan braket penjepit **4** kembali ke posisi keluar dan kuncilah.
- ❸ Letakkan kertas gerinda melekat pada pelat **3**. Jepit bagian depan lembar gerinda di bawah pin penjepit depan **6**. Perhatikan bahwa lembar gerinda **5** tidak terlalu pendek dan terjepit dengan benar. Ayunkan braket penjepit **4** kembali ke posisi keluar dan kuncilah.

Untuk melepaskan lembar gerinda **5** lepaskan kedua braket penjepit **4** dan tarik lembar gerinda ke arah luar dari tempatnya.

Memilih daun ampelas

Untuk mencocoki bahan yang dikerjakan dan keberhasilan yang dikehendaki, tersedia bermacam-macam daun ampelas:

	Butiran	
red:Wood	40 – 240	
Untuk mengerjakan semua macam bahan kayu		
Untuk mengampelas secara kasar, misalnya balok-balok dan papan-papan yang kasar dan belum diketam	kasar	40, 60
Untuk mengikis sampai datar dan untuk mengampelas sampai rata	sedang	80, 120
Untuk mengampelas halus sampai selesai dan mengampelas halus kayu-kayu yang keras	halus	180, 240
white:Paint	40 – 240	
Untuk mengerjakan lapisan cat/cat duko atau lapisan dasar seperti dempul cair dan dempul		
Untuk mengikis cat lama	kasar	40, 60
Untuk mengampelas cat dasar	sedang	80, 120
Untuk mengampelas halus cat dasar sebelum mencat lapisan terakhir	halus	180, 240

Penghisapan debu/serbuk

- ▶ Debu dari bahan-bahan seperti misalnya cat yang mengandung timbel (timah hitam), beberapa jenis kayu, bahan mineral dan logam bisa berbahaya bagi kesehatan. Menyentuh atau menghirup debu-debu ini bisa mengakibatkan reaksi alergi dan/atau penyakit saluran pernafasan dari orang yang menggunakan mesin atau orang yang berada di dekatnya.

Beberapa debu tertentu seperti misalnya debu kayu pohon quercus atau pohon fagus silvatica dianggap bisa mengakibatkan penyakit kanker, terutama dalam campuran dengan bahan-bahan tambahan untuk pengolahan kayu (kromat, obat pengawet kayu). Bahan-bahan yang mengandung asbestos hanya boleh dikerjakan oleh orang-orang yang ahli.

- Gunakanlah hanya penghisap debu yang cocok untuk menghisap bahan yang dikerjakan.
- Perhatikanlah supaya ada pertukaran udara di tempat kerja.
- Kami anjurkan supaya Anda memakai kedok anti debu dengan saringan (filter) kelas P2.

Taatilah peraturan-peraturan untuk bahan-bahan yang dikerjakan yang berlaku di negara Anda.

- ▶ **Hindari debu yang banyak terkumpul di tempat kerja.** Debu dapat menyulut dengan mudahnya.

Penggunaan

Cara penggunaan

- ▶ **Perhatikan tegangan jaringan listrik! Tegangan jaringan listrik harus sesuai dengan tegangan listrik yang tercantum pada label tipe perkakas listrik.**

Menghidupkan/mematikan

Untuk **menghidupkan** perkakas listrik, miringkan tombol untuk menghidupkan dan mematikan **1** ke kanan ke posisi „I“.

Untuk **mematikan** perkakas listrik, miringkan tombol untuk menghidupkan dan mematikan **1** ke kiri ke posisi „0“.

Untuk menghemat energi, hidupkan perkakas listrik hanya jika Anda menggunakannya.

Petunjuk-petunjuk untuk pemakaian

- ▶ **Sebelum meletakkan perkakas listrik, tunggulah sampai perkakas listrik berhenti sama sekali.**

Keberhasilan selama mengampelas terutama ditentukan oleh macam daun ampelas yang digunakan.

Hanya daun ampelas yang mulus menghasilkan pekerjaan yang bagus dan membuat perkakas listrik tahan lebih lama.

Perhatikanlah supaya daya tekan selalu sama, dengan demikian daun ampelas tahan lebih lama.

Daya tekan yang terlalu tinggi tidak mengakibatkan hasil pengampelasan yang lebih bagus, melainkan menyebabkan perkakas listrik dan daun ampelas lebih cepat usang.

Daun ampelas yang telah digunakan untuk mengerjakan logam tidak boleh digunakan untuk mengerjakan bahan-bahan lainnya.

Gunakanlah aksesori untuk mengampelas yang asli dari Bosch saja.

Rawatan dan servis

Rawatan dan kebersihan

- ▶ **Sebelum mulai dengan pekerjaan pada perkakas listrik, tariklah steker dari stopkontak.**
- ▶ **Perkakas listrik dan lubang ventilasi harus selalu dibersihkan supaya perkakas bisa digunakan dengan baik dan aman.**

Jika kabel listrik harus digantikan, pekerjaan ini harus dilakukan oleh Bosch atau Service Center untuk perkakas listrik Bosch yang resmi, supaya keselamatan kerja selalu terjamin.

Layanan pasca beli dan konseling terkait pengoperasian

Layanan pasca beli Bosch menjawab semua pertanyaan Anda terkait reparasi dan maintenance serta suku cadang produk ini. Gambar tiga dimensi dan informasi terkait suku cadang dapat Anda lihat di:

www.bosch-pt.com

Tim konseling pengoperasian dari Bosch dengan senang hati membantu Anda, jika Anda hendak bertanya tentang produk-produk kami dan aksesorisnya.

Jika Anda hendak menanyakan sesuatu atau memesan suku cadang, sebutkan selalu nomor model yang terdiri dari 10 angka dan tercantum pada label tipe produk.

Indonesia

PT Robert Bosch
Palma Tower 10th Floor
Jl. RA Kartini II-S Kaveling 6 Sek II
Pondok Pinang, Kebayoran Lama
Jakarta Selatan 12310
Tel.: (021) 3005 5800
Fax: (021) 3005 5801
E-Mail: boschpowertools@id.bosch.com
www.bosch-pt.co.id

Cara membuang

Perkakas listrik, aksesoris dan kemasan sebaiknya didaur ulangkan sesuai dengan upaya untuk melindungi lingkungan hidup.



Janganlah membuang perkakas listrik dalam sampah rumah tangga!

Perubahan dapat terjadi tanpa pemberitahuan sebelumnya.

Tiếng Việt

Tổng hợp Cảnh báo An toàn Dụng cụ Điện Cầm tay

⚠ CẢNH BÁO Hãy đọc toàn bộ các cảnh báo an toàn, hướng dẫn, hình ảnh và thông số kỹ thuật được cung cấp cho dụng cụ điện cầm tay này. Không tuân thủ mọi hướng dẫn được liệt kê dưới đây có thể bị điện giật, gây cháy và/hay bị thương tật nghiêm trọng.

Lưu giữ toàn bộ các cảnh báo và hướng dẫn để tham khảo trong tương lai.

Thuật ngữ “dụng cụ điện cầm tay” trong các cảnh báo để viện dẫn tới dụng cụ cầm tay có vận hành điện (có dây) hoặc vận hành bằng pin (không dây).

Khu vực làm việc an toàn

- ▶ **Giữ nơi làm việc sạch và đủ ánh sáng.** Nơi làm việc bừa bộn và tối tăm dễ gây ra tai nạn.
- ▶ **Không vận hành dụng cụ điện cầm tay trong môi trường dễ gây nổ, chẳng hạn như nơi có chất lỏng dễ cháy, khí đốt hay rác.** Dụng cụ điện cầm tay tạo ra các tia lửa nên có thể làm rác bén cháy hay bốc khói.
- ▶ **Không để trẻ em hay người đến xem đứng gần khi vận hành dụng cụ điện cầm tay.** Sự phân tâm có thể gây ra sự mất điều khiển.

An toàn về điện

- ▶ **Phích cắm của dụng cụ điện cầm tay phải thích hợp với ổ cắm. Không bao giờ được cài biến lại phích cắm dưới mọi hình thức. Không được sử dụng phích tiếp hợp nối tiếp đất (dây mát).** Phích cắm nguyên bản và ổ cắm đúng loại sẽ làm giảm nguy cơ bị điện giật.
- ▶ **Tránh không để thân thể tiếp xúc với đất hay các vật có bề mặt tiếp đất như đường ống, lò sưởi, hàng rào và tủ lạnh.** Có nhiều nguy cơ bị điện giật hơn nếu cơ thể bạn bị tiếp hay nối đất.
- ▶ **Không được để dụng cụ điện cầm tay ngoài mưa hay ở tình trạng ẩm ướt.** Nước vào máy sẽ làm tăng nguy cơ bị điện giật.
- ▶ **Không được lạm dụng dây dẫn điện. Không bao giờ được nắm dây dẫn để xách, kéo hay rút phích cắm dụng cụ điện cầm tay. Không để dây gần nơi có nhiệt độ cao, dầu nhớt, vật nhọn bén hay bộ phận chuyển động.** Làm hỏng hay cuộn rối dây dẫn làm tăng nguy cơ bị điện giật.
- ▶ **Khi sử dụng dụng cụ điện cầm tay ngoài trời, dùng dây nối thích hợp cho việc sử dụng ngoài trời.** Sử dụng dây nối thích hợp cho việc sử dụng ngoài trời làm giảm nguy cơ bị điện giật.

► **Nếu việc sử dụng dụng cụ điện cầm tay ở nơi ẩm ướt là không thể tránh được, dùng thiết bị ngắt mạch tự động (RCD) bảo vệ nguồn.** Sử dụng thiết bị ngắt mạch tự động RCD làm giảm nguy cơ bị điện giật.

An toàn cá nhân

- **Hãy tỉnh táo, biết rõ mình đang làm gì và hãy sử dụng ý thức khi vận hành dụng cụ điện cầm tay.** Không sử dụng dụng cụ điện cầm tay khi đang mệt mỏi hay đang bị tác động do chất gây nghiện, rượu hay dược phẩm gây ra. Một thoáng mất tập trung khi đang vận hành dụng cụ điện cầm tay có thể gây thương tích nghiêm trọng cho bản thân.
- **Sử dụng trang bị bảo hộ cá nhân. Luôn luôn đeo kính bảo vệ mắt.** Trang bị bảo hộ như khẩu trang, giày chống trượt, nón bảo hộ, hay dụng cụ bảo vệ tai khi được sử dụng đúng nơi đúng chỗ sẽ làm giảm nguy cơ thương tật cho bản thân.
- **Phòng tránh máy khởi động bất ngờ. Bảo đảm công tắc máy ở vị trí tắt trước khi cắm vào nguồn điện và/hay lắp pin vào, khi nhấc máy lên hay khi mang xách máy.** Ngáng ngón tay vào công tắc máy để xách hay kích hoạt dụng cụ điện cầm tay khi công tắc ở vị trí mở dễ dẫn đến tai nạn.
- **Lấy mọi chìa hay khóa điều chỉnh ra trước khi mở điện dụng cụ điện cầm tay.** Khóa hay chìa còn gắn dính vào bộ phận quay của dụng cụ điện cầm tay có thể gây thương tích cho bản thân.
- **Không rướn người.** Luôn luôn giữ tư thế đứng thích hợp và thăng bằng. Điều này tạo cho việc điều khiển dụng cụ điện cầm tay tốt hơn trong mọi tình huống bất ngờ.
- **Trang phục thích hợp. Không mặc quần áo rộng lủng thụng hay mang trang sức. Giữ tóc và quần áo xa khỏi các bộ phận chuyển động.** Quần áo rộng lủng thụng, đồ trang sức hay tóc dài có thể bị cuốn vào các bộ phận chuyển động.
- **Nếu có các thiết bị đi kèm để nối máy hút bụi và các phụ kiện khác, bảo đảm các thiết bị này được nối và sử dụng tốt.** Việc sử dụng các thiết bị gom hút bụi có thể làm giảm các độc hại liên quan đến bụi gây ra.
- **Không để thói quen do sử dụng thường xuyên dụng cụ khiến bạn trở nên chủ quan và bỏ qua các quy định an toàn dụng cụ.** Một hành vi bất cẩn có thể gây ra thương tích nghiêm trọng chỉ trong tích tắc.

Sử dụng và bảo dưỡng dụng cụ điện cầm tay

- **Không được ép máy.** Sử dụng dụng cụ điện cầm tay đúng loại theo đúng ứng dụng của bạn. Dụng cụ điện cầm tay đúng chức năng sẽ làm việc tốt và an toàn hơn theo đúng tiến độ mà máy được thiết kế.
- **Không sử dụng dụng cụ điện cầm tay nếu như công tắc không tắt và mở được.** Bất kỳ dụng cụ điện cầm tay nào mà không thể điều khiển được bằng công tắc là nguy hiểm và phải được sửa chữa.
- **Rút phích cắm ra khỏi nguồn điện và/hay pin ra khỏi dụng cụ điện cầm tay nếu có thể tháo được, trước khi tiến hành bất kỳ điều chỉnh nào, thay phụ kiện, hay cất dụng cụ điện cầm tay.** Các biện pháp ngăn ngừa như vậy làm giảm nguy cơ dụng cụ điện cầm tay khởi động bất ngờ.
- **Cất giữ dụng cụ điện cầm tay không dùng tới nơi trẻ em không lấy được và không cho người chưa từng biết dụng cụ điện cầm tay hay các hướng dẫn này sử dụng dụng cụ điện cầm tay.** Dụng cụ điện cầm tay nguy hiểm khi ở trong tay người chưa được chỉ cách sử dụng.
- **Bảo quản dụng cụ điện cầm tay và các phụ kiện.** Kiểm tra xem các bộ phận chuyển động có bị sai lệch hay kẹt, các bộ phận bị rạn nứt và các tình trạng khác có thể ảnh hưởng đến sự vận hành của máy. Nếu bị hư hỏng, phải sửa chữa máy trước khi sử dụng. Nhiều tai nạn xảy ra do bảo quản dụng cụ điện cầm tay tồi.
- **Giữ các dụng cụ cất bên và sạch.** Bảo quản đúng cách các dụng cụ cất có cạnh cắt bén làm giảm khả năng bị kẹt và dễ điều khiển hơn.
- **Sử dụng dụng cụ điện cầm tay, phụ kiện, đầu cài v. v., đúng theo các chỉ dẫn này, hãy lưu ý đến điều kiện làm việc và công việc phải thực hiện.** Sử dụng dụng cụ điện cầm tay khác với mục đích thiết kế có thể tạo nên tình huống nguy hiểm.
- **Giữ tay cầm và bề mặt nắm luôn khô ráo, sạch sẽ và không dính dầu mỡ.** Tay cầm và bề mặt nắm trơn trượt không đem lại thao tác an toàn và kiểm soát dụng cụ trong các tình huống bất ngờ.

Bảo dưỡng

- **Đưa dụng cụ điện cầm tay của bạn đến thợ chuyên môn để bảo dưỡng, chỉ sử dụng phụ tùng đúng chủng loại để thay.** Điều này sẽ đảm bảo sự an toàn của máy được giữ nguyên.

32 | Tiếng Việt

Cảnh báo an toàn cho máy chà nhám

- ▶ **Chỉ được sử dụng máy để chà khô.** Sự dể nước thấm vào trong máy làm tăng nguy cơ bị điện giật.
- ▶ **Lưu ý, nguy cơ cháy! Tránh không để vật được chà nhám cũng như máy chà nhám quá nóng. Luôn luôn làm trống sạch bộ phận chứa bụi trước khi dừng nghỉ.** Trong tình trạng không thuận lợi, vd. khi tia lửa bắn ra trong lúc chà kim loại, dăm mạt vụn trong túi chứa bụi, trong bộ lọc siêu nhỏ hay túi giấy (hay trong túi lọc hay bộ lọc trong máy hút bụi) có thể tự cháy. Đặc biệt khi trộn lẫn với phân vệt-ni còn sót lại, dầu bóng hay các nguyên liệu hóa chất khác hay các mạt chà bị hun nóng sau một thời gian làm việc dài.
- ▶ **Kẹp chặt vật gia công.** Vật gia công được kẹp bằng một thiết bị kẹp hay bằng êtô thì vững chắc hơn giữ bằng tay.

Mô Tả Sản Phẩm và Đặc Tính Kỹ Thuật

Đọc kỹ mọi cảnh báo an toàn và mọi hướng dẫn. Không tuân thủ mọi cảnh báo và hướng dẫn được liệt kê dưới đây có thể bị điện giật, gây cháy và/hay bị thương tật nghiêm trọng.

Dành sử dụng cho

Dụng cụ điện được thiết kế để mài khô trên gỗ, nhựa, tường khô, ma tít cũng như các bề mặt phủ sơn.

Biểu trưng của sản phẩm

Sự đánh số các biểu trưng của sản phẩm là để tham khảo hình minh họa của máy trên trang hình ảnh.

- 1 Công tắc Tắt/Mở
- 2 Gọng kẹp sau
- 3 Đế chà
- 4 Giá kẹp (2x)
- 5 Giấy nhám*
- 6 Gọng kẹp trước
- 7 Tay nắm (bề mặt nắm cách điện)

*Phụ tùng được trình bày hay mô tả không phải là một phần của tiêu chuẩn hàng hóa được giao kèm theo sản phẩm. Bạn có thể tham khảo tổng thể các loại phụ tùng, phụ kiện trong chương trình phụ tùng của chúng tôi.

Thông số kỹ thuật

Máy chà nhám xoay		GSS 140
Mã số máy		3 601 BA8 ...
Công suất vào danh định	W	220
Tốc độ không tải	v/p	14 000
Tần suất vòng xoay	v/p	28 000
Đường kính vòng xoay	mm	1,5
Kích cỡ giấy nhám		
- Lắp vào thông qua kẹp	mm	114 x 140
Kích cỡ đế chà	mm	105 x 113
Trọng lượng theo Qui trình EPTA-Procedure 01:2014 (chuẩn EPTA 01:2014)	kg	1,2
Cấp độ bảo vệ		□/II

Các giá trị đã cho có hiệu lực cho điện thế danh định [U] 230 V. Đối với điện thế thấp hơn và các loại máy dành riêng cho một số quốc gia, các giá trị này có thể thay đổi.

Sự lắp vào

- ▶ **Trước khi tiến hành bất cứ việc gì trên máy, kéo phích cắm điện nguồn ra.**

Thay Giấy Nhám

Khi lắp giấy nhám mới vào, làm thật sạch đế chà **3** cho hết bụi hay mạt gỗ (vd. bằng chổi cọ).

Giấy Nhám không sử dụng Khóa Dẫn (xem hình A – C)

- ❶ Bạn hãy nối lỏng cả hai giá kẹp **4** ra khỏi chốt khóa và xoay chúng xuống phía dưới.
- ❷ Bạn hãy cài giấy nhám **5** vào dưới thanh kẹp phía sau **2**. Chú ý, giấy nhám **5** không quá ngắn và được kẹp chặt chính xác. Bạn xoay móc kẹp **4** trở lại vị trí đầu ra và cài ở vị trí đó.
- ❸ Đặt giấy nhám sao cho thật căng quanh phiến mài **3**. Bạn hãy kẹp chặt phần trước của phiến mài bên dưới bằng đầu dây **6** phía trước. Bạn hãy chú ý rằng, phiến mài **5** không quá ngắn và phải được kẹp chặt một cách chính xác. Hãy xoay giá kẹp **4** trở về vị trí ban đầu và khóa nó tại đó.

Để tháo phiến mài **5** bạn hãy nối lỏng cả hai giá kẹp **4** và lấy lưỡi mài ra khỏi giá đỡ.

Chọn Loại Giấy Nhám

Tùy theo loại vật liệu gia công và tốc độ để chà bong tróc vật liệu theo yêu cầu, trên thị trường hiện có các chủng loại giấy nhám như vậy:

		Kích cỡ hạt	
red:Wood		40 – 240	
Để gia công mọi loại nguyên vật liệu bằng gỗ			

Để chà thô, vd. xà rầm bào sơ, sần nhám và ván tấm	thô	40, 60
Chà bề mặt và tẩy xóa các khuyết tật nhỏ	trung bình	80, 120

Chà hoàn thiện và chà tinh các loại gỗ cứng	mịn	180, 240
---	-----	----------

white:Paint	40 – 240	
--------------------	----------	--

Để thao tác với sơn/lớp men hay sơn lót và chất trám

Chà cho bong tróc sơn	thô	40, 60
Chà sơn lót	trung bình	80, 120

Chà hoàn thiện sơn lót trước khi sơn phủ	mịn	180, 240
--	-----	----------

Hút Dặm/Bụi

- ▶ Mặt bụi từ các vật liệu được sơn phủ ngoài có chứa chì trên một số loại gỗ, khoáng vật và kim loại có thể gây nguy hại đến sức khỏe con người. Đụng chạm hay hít thở các bụi này có thể làm người sử dụng hay đứng gần bị dị ứng và/hoặc gây nhiễm trùng hệ hô hấp. Một số mặt bụi cụ thể, ví dụ như bụi gỗ sồi hay dầu, được xem là chất gây ung thư, đặc biệt là có liên quan đến các chất phụ gia dùng xử lý gỗ (chất cromat, chất bảo quản gỗ). Có thể chỉ nên để thợ chuyên môn gia công các loại vật liệu có chứa amiăng.
 - Cách xa ở mức có thể được, sử dụng hệ thống hút thích hợp cho loại vật liệu.
 - Tạo không khí thông thoáng nơi làm việc.
 - Khuyến nghị nên mang mặt nạ phòng độc có bộ lọc cấp P2.
- Tuân thủ các qui định của quốc gia bạn liên quan đến loại vật liệu gia công.
- ▶ **Tránh không để rác tích tụ tại nơi làm việc.** Rác có thể dễ dàng bắt lửa.

Vận Hành**Bắt Đầu Vận Hành**

- ▶ **Tuân thủ theo đúng điện thế! Điện thế nguồn phải đúng với điện thế đã ghi rõ trên nhãn máy.**

Bật Mở và Tắt

Để khởi động máy, kéo nghiêng công tắc Tắt/Mở 1 qua bên phải vào vị trí "1".

Để tắt máy, kéo nghiêng công tắc Tắt/Mở 1 qua bên trái vào vị trí "0".

Để tiết kiệm năng lượng, chỉ cho dụng cụ điện hoạt động khi sử dụng.

Hướng Dẫn Sử Dụng

- ▶ **Đợi cho đến khi máy hoàn toàn dừng hẳn trước khi đặt xuống.**

Năng suất làm bong tróc trong khi chà nhám chủ yếu được quyết định là từ sự lựa chọn loại giấy nhám.

Chỉ có giấy nhám không bị hư hỏng mới cho năng suất chà nhám tốt và kéo dài tuổi thọ của máy.

Hãy lưu ý việc đặt lực áp lên máy để chà phải đồng đều; điều này làm tăng độ bền của giấy nhám.

Tạo lực đè thật mạnh lên máy để chà không làm tăng năng suất chà, nhưng lại làm tăng sự hao mòn của máy và giấy nhám.

Giấy nhám đã được dùng để chà kim loại không nên sử dụng để chà các loại vật liệu khác.

Chỉ nên sử dụng các phụ kiện chà nhám chính hãng Bosch.

Bảo Dưỡng và Bảo Quản**Bảo Dưỡng Và Làm Sạch**

- ▶ **Trước khi tiến hành bất cứ việc gì trên máy, kéo phích cắm điện nguồn ra.**
- ▶ **Để được an toàn và máy hoạt động đúng chức năng, luôn luôn giữ máy và các khe thông gió được sạch.**

Nếu như cần phải thay dây dẫn điện thì công việc này phải do hãng Bosch, hay một đại lý được Bosch ủy nhiệm thực hiện để tránh gặp sự nguy hiểm do mất an toàn.

34 | Tiếng Việt**Dịch Vụ Sau Khi Bán và Dịch Vụ Ứng Dụng**

Bộ phận phục vụ hàng sau khi bán của chúng tôi sẽ trả lời các câu hỏi liên quan đến việc bảo trì và sửa chữa các sản phẩm cũng như các phụ tùng thay thế của bạn. Hình ảnh chi tiết và thông tin phụ tùng thay thế có thể tìm hiểu theo địa chỉ dưới đây:

www.bosch-pt.com

Bộ phận dịch vụ ứng dụng Bosch sẽ hân hạnh trả lời các câu hỏi liên quan đến các sản phẩm của chúng tôi và linh kiện của chúng.

Trong tất cả các phản hồi và đơn đặt phụ tùng, xin vui lòng luôn luôn nhập số hàng hóa 10 chữ số theo nhãn của hàng hóa.

Việt Nam

CN Cty TNHH Bosch Vietnam tại TP. Ho Chi Minh
Tầng 10, Tòa nhà 194 Golden
473 Điện Biên Phủ
Phường 25, Quận Bình Thạnh
Tp. Hồ Chí Minh
Tel.: (08) 6258 3690
Fax: (08) 6258 3692
Hotline: (08) 6250 8555
www.bosch-pt.com.vn

Campuchia

Công ty TNHH Robert Bosch (Campuchia)
Đơn nguyên 8BC, GT Tower, Tầng 08,
Đường 169, Tiệp Khắc Blvd, Sangkat Veal Vong,
Khan 7 Makara, Phnom Penh
VAT TIN : 100 169 511
Tel.: +855 23 900 685
Tel.: +855 23 900 660
www.bosch.com.kh

Thải bỏ

Máy, linh kiện và bao bì phải được phân loại để tái chế theo hướng thân thiện với môi trường.



Không được thải bỏ dụng cụ điện vào chung với rác sinh hoạt!

Được quyền thay đổi nội dung mà không phải thông báo trước.

قطر

International Construction Solutions W L L
البريد: 51 الدوحة
قطر
هاتف: +974 40065458
فاكس: +974 4453 8585
البريد الإلكتروني: csd@icsdoha.com

المملكة العربية السعودية

إبراهيم الجفالي وأخوانه للمعدات الفنية
البوادي
شارع المدينة المنورة، كيلو 14
جدة 21431، المملكة العربية السعودية
هاتف: +966 2 667222
فاكس: +966 2 6676308
البريد الإلكتروني: roland@eajb.com.sa

سوريا

شركة الدلال للأدوات الفنية
البريد: 1030
حلب
هاتف: +963 212116083
البريد الإلكتروني: rita.dallal@hotmail.com

تونس

شركة روبرت بوش المحدودة بتونس
7 شارع ابن بطوطة زد. أي. سان جوبان
مقرين الرياض
2014 بن عروس
هاتف: +216 71 427 496/879
فاكس: +216 71 428 621
البريد الإلكتروني: sav.outillage@tn.bosch.com

الإمارات العربية المتحدة

Central Motors & Equipment LLC
البريد: 1984
شارع الوحدة - مبنى السناء
الشارقة
هاتف: +971 6 593 2777
فاكس: +971 6 533 2269
البريد الإلكتروني: powertools@centralmotors.ae

اليمن

مجموعة أبو الرجال التجارية
شارع سناء الزبيرى أمام مبنى البرلمان الجديد
هاتف: +967 1 202010
فاكس: +967 1 279029
البريد الإلكتروني: tech-tools@abualrejal.com

التخلص من العدة الكهربائية

ينبغي التخلص من العدد الكهربائية والتوابع والغلاف بطريقة مناسبة للبيئة عن طريق النفايات القابلة لإعادة التصنيع.

لا ترم العدد الكهربائية في النفايات المنزلية!



نحتفظ بحق إدخال التعديلات.

البحرين

حاتم الجفالي للمعدات الفنية
مملكة البحرين
هاتف: +966 126971777-311
فاكس: +973 17704257
البريد الإلكتروني: h.berjas@eajb.com.sa

مصر

يونيمار
رقم 20 مركز الخدمات
التجمع الاول - القاهرة الجديدة - مصر
هاتف: +2 02 224 76091-95 / +2 02 224 78072-73
فاكس: +2 02 224 78075
البريد الإلكتروني: adelzaki@unimaregypt.com

العراق

مجموعة شركات الصهبا للتكنولوجيا
شارع مطار المثنى
بغداد
هاتف: +964 7901906953
هاتف (دبي): +971 43973851
البريد الإلكتروني: bosch@sahbatechnology.com

الأردن

Roots Arabia - Jordan
شارع ناصر بن جميل
بناية رقم 37 الرابعة
11194 عمان
هاتف: +962 6 5545778
البريد الإلكتروني: bosch@rootsjordan.com

الكويت

القرين لتجارة السيارات
المنطقة الصناعية شويخ
البريد: 164 - صفت 13002
هاتف: +966 24810844
فاكس: +966 24810879
البريد الإلكتروني: josephkr@aaalmutawa.com

لبنان

Tehini Hana & Co. S. A. R. L.
بريد: 499-90 جديده
دورا بيروت
هاتف: +961 1255211
البريد الإلكتروني: service-pt@tehini-hana.com

المغرب

شركة روبرت بوش المحدودة بالمغرب
53، زقة الملازم محمد محروص
20300 الدار البيضاء
البريد الإلكتروني: sav.outillage@ma.bosch.com

عمان

Malatan Trading & Contracting LLC
البريد: 131
سلطنة عمان
هاتف: +968 99886794
البريد الإلكتروني: malatanpowertools@malatan.net

التشغيل والإطفاء-

من أجل تشغيل العدة الكهربائية يقلب مفتاح التشغيل والإطفاء 1 إلى اليمين على الوضع "I".

من أجل إطفاء العدة الكهربائية يقلب مفتاح التشغيل والإطفاء 1 إلى اليسار على الوضع "0".

شغل العدة الكهربائية فقط عندما تستخدمها، من أجل توفير الطاقة.

ملاحظات شغل

◀ **انتظر إلى أن تتوقف العدة الكهربائية عن الحركة قبل أن تركنها.**

يتم تحديد قدرة الإزاحة عند التجليج بشكل كبير من خلال اختيار ورق الصنفرة.

فقط أوراق الصنفرة السالمة هي التي تؤدي إلى أداء تجليج جيد وإلى صيانة العدة الكهربائية.

راع المحافظة على ضغط تلامس منتظم لزيادة فترة صلاحية ورق الصنفرة.

لا يؤدي زيادة الضغط على الجهاز إلى أداء تجليج أعلى بل إلى استهلاك أشد للعدة الكهربائية ولورق الصنفرة.

لا تستخدم ورقة صنفرة سبق وتم استعمالها لمعالجة المعادن لمعالجة المواد الأخرى بعد ذلك.

استخدم توابع تجليج بوش الأصلية فقط.

الصيانة والخدمة**الصيانة والتنظيف**

◀ **اسحب القابس من مقبس الشبكة الكهربائية قبل إجراء أي عمل على العدة الكهربائية.**

◀ **حافظ دائماً على نظافة العدة الكهربائية وشقوق التهوية للعمل بشكل جيد وأمن.**

إن تطلب الأمر استبدال خط الإمداد، فينبغي أن يتم ذلك من قبل شركة بوش أو من قبل مركز خدمة زبائن وكالة بوش للعدد الكهربائية، لتجنب التعرض للمخاطر.

خدمة الزبائن ومشورة الاستخدام

يجيب مركز خدمة الزبائن على أسئلتكم بصدد تصليح وصيانة المنتج وأيضاً بما يخص قطع الغيار. يعثر على الرسوم الممددة وعلى المعلومات عن قطع الغيار بموقع:

www.bosch-pt.com

سيكون من دواعي سرور فرقة مشورة الاستخدام بشركة بوش أن تساعدكم بخصوص الأسئلة عن منتجاتنا وتوابعها. يلزم ذكر رقم الصنف ذو الخانات العشر وفقاً للوحة صنع المنتج عند إرسال أية استفسارات أو طلبيات قطع غيار.

الجزائر

سيستال

المنطقة الصناعية احداتن

بجاية 06000

هاتف: 213 (0) 982 400 991/2

فاكس: 213 (0) 3 420 1569

البريد الإلكتروني: sav@siestal-dz.com

اختيار ورقة الصنفرة

أوراق الصنفرة متوفرة حسب المواد المطلوب معالجتها وحسب قدرة الإزاحة المرغوبة عن سطح المادة:

الجببيات

40 - 240

red:Wood

لمعالجة شتى أنواع المواد الخشبية

للتجليج الأولي بالعوارض والألواح الخشبية الخشنة مثلاً

40, 60 خشنة

80, 120 متوسطة

180, 240 ناعمة

لصقل وتسوية التعرجات الصغيرة لإنهاء وتنعيم تجليج الأخشاب الصلدة

40 - 240

white:Paint

لمعالجة طليقات الطلاء والورنيش أو الطلاء الأولي كالمعجون والمشوة

40, 60 خشنة

80, 120 متوسطة

180, 240 ناعمة

لإزالة الطلاء بالتجليج

لتجليج الطلاء الأولي

للتجليج النهائي للطلاء الأولي قبل طلي الورنيش

شفط الغبار/النشارة

◀ إن أغبرة بعض المواد كالطلاء الذي يحتوي على الرصاص، وبعض أنواع الخشب والفلزات والمعادن، قد تكون مضرّة بالصحة. إن ملامسة أو استنشاق الأغبرة قد يؤدي إلى ردود فعل زائدة الحساسية و/أو إلى أمراض الجبب التنفسية لدى المستخدم أو لدى الأشخاص المتواجدين على مقربة من المكان. تعتبر بعض الأغبرة المعينة، كأغبرة البلوط والزبان بأنها مسببة للسرطان، ولا سيما بالاتصال مع المواد الإضافية لمعالجة الخشب (ملح حامض الكروميك، المواد المافظة للخشب). يجوز أن يتم معالجة المواد التي تحتوي على الأستوتوس من قبل العمال المتخصصين فقط دون غيرهم.

- استخدم شفاطة غبار ملائمة للمادة قدر الإمكان.

- حافظ على تهوية مكان الشغل بشكل جيد.

- ينصح بارتداء قناع وقاية للتنفس بفتة المرشح P2.

تراعى الأحكام السارية في بلدكم بالنسبة للمواد المرغوب معالجتها.

◀ **تجنب تراكم الغبار بمكان العمل.** يجوز أن تشتعل الأغبرة بسهولة.

التشغيل**بدء التشغيل**

◀ **انتبه إلى جهد الشبكة الكهربائية! يجب أن يتطابق جهد منبع التيار مع المعلومات المذكورة على لائحة طراز الجهاز.** يمكن أن يتم تشغيل العدد الكهربائية الممددة بـ 230 فولط بـ 220 فولط أيضاً.

الأجزاء المصورة

يستند ترقيم الأجزاء المصورة إلى رسوم العدة الكهربائية الموجودة في صفحة الرسوم التخطيطية.

- 1 مفتاح التشغيل والإطفاء
 - 2 عارضة القمط الخلفية
 - 3 صفيحة تجليخ
 - 4 مشبك قمط (2x)
 - 5 ورق الصنفرة *
 - 6 عارضة القمط الأمامية
 - 7 مقبض يدوي (سطح القبض معزول)
- * لا يتضمن إطار التوريد الاعتيادي التوابع المصورة أو الموصوفة. يعثر على التوابع الكاملة في برنامجنا للتوابع.

البيانات الفنية

خلاصة مترجمة		GSS 140
رقم الصنف		3 601 BA8 ...
القدرة الاسمية المقننة	واط	220
عدد الدوران اللاحملي	دقيقة ⁻¹	14 000
عدد الترجع اللاحملي	دقيقة ⁻¹	28 000
قطر مدار الترجع	مم	1,5
مقاسات ورق الصنفرة		
- الشد بالقمط	مم	114 x 140
مقاسات صفيحة التجليخ	مم	105 x 113
الوزن حسب EPTA-Procedure		
01:2014	كغ	1,2
فئة الوقاية		II / □

القيم سارية المفعول لجهد اسمي [I] بمقدار 230 فولط. قد تتفاوت هذه القيم عندما يختلف الجهد عن ذلك أو بترازات خاصة ببلدان معينة.

التركيب

- ◀ اسحب القابس من مقبس الشبكة الكهربائية قبل إجراء أي عمل على العدة الكهربائية.

استبدال ورق الصنفرة

أبعد الغبار والأوساخ عن صفيحة التجليخ 3 بواسطة فرشاة مثلاً قبل تثبيت ورقة صنفرة جديدة.

أوراق صنفرة دون تثبيت لازق (راجع الصور A-C)

- 1 قم بفك مشبكي القمط 4 من موضعي التثبيت، وحركهما إلى أسفل.
- 2 أدخل قرص التجليخ 5 أسفل عارضة القمط الخلفية 2. احرص على ألا يكون قرص التجليخ 5 أقصر من اللازم، وعلى أن يتم قمطه بثبات. أرجع مشبك القمط 4 إلى وضعه الأصلي وقم بتأمين قفله.
- 3 ضع ورقة الصنفرة مشدودة حول صفيحة الجليخ 3. قم برشق الجزء الأمامي لقرص التجليخ أسفل مشبك القمط الأمامي 6. احرص على ألا يكون قرص التجليخ 5 أقصر من اللازم وعلى أن يتم قمطه بثبات. أرجع مشبك القمط 4 إلى وضعه الأصلي وقم بتأمين قفله.
- 4 خلع قرص التجليخ 5 قم بفك مشبكي القمط 4 واخلع قرص التجليخ من الحامل.

◀ اعتن بالحدة الكهربائية والملحقات بشكل جيد. تأكد أن أجزاء الجهاز المتحركة مركبة بشكل سليم وغير مستعصية عن الحركة، وتفحص ما إن كانت هناك أجزاء مكسورة أو في حالة تؤثر على حسن أداء العدة الكهربائية. ينبغي إصلاح هذه الأجزاء التالفة قبل إعادة تشغيل الجهاز. الكثير من الحوادث مصدرها العدة الكهربائية التي تتم صيانتها بشكل رديء.

◀ حافظ على إبقاء عدد القطع نظيفة وحادة. إن عدد القطع ذات حواف القطع الحادة التي تتم صيانتها بعناية تتكلم بشكل أقل ويمكن توجيهها بشكل أيسر.

◀ استخدم العدد الكهربائية والتوابع وريش الشغل وإلخ. حسب هذه التعليمات. تراعى أثناء ذلك شروط الشغل والعمل المراد تنفيذها. استخدام العدد الكهربائية لغير الأشغال المخصصة لأجلها قد يؤدي إلى حدوث الحلات الخطيرة.

◀ احرص على إبقاء المقابض وأسطح المسك جافة ونظيفة وخالية من الزيوت والشحوم. المقابض وأسطح المسك الزلقة لا تتبع التشغيل والتحكم الآمن في العدة في المواقف غير المتوقعة.

الخدمة

◀ احرص على إصلاح عدتك الكهربائية فقط بواسطة العمال المتخصصين وباستعمال قطع الغيار الأصلية فقط. يضمن ذلك المحافظة على أمان الجهاز.

ملاحظات الأمان للجلاجات

◀ استخدم العدة الكهربائية للتجليخ الجاف فقط. إن تسرب الماء إلى داخل العدة الكهربائية يزيد من خطر الصدمات الكهربائية.

◀ انتبه لخطر نشوب الحرائق! تجنب فرط إجماء مادة التجليخ والجلاجة. أفرغ وعاء الغبار دائماً قبل استراحتات العمل. قد يشتعل غبار التجليخ من تلقاء نفسه في كيس الغبار والمرشح الدقيق و الكيس الورقي (أو في كيس المرشح أو مرشح الشفاطة الواقية) في ظروف غير ملائمة، كتطاير الشرر عند تجليخ المعادن. وينتج الخطر بشكل خاص إن تم مزج غبار التجليخ مع بقايا الطلاء أو البوليبريتان أو غيرها من المواد الكيماوية وإن كانت المادة قيد التجليخ حامية بعد الشغل لفترة طويلة.

◀ أمن قطعة الشغل. يتم القبض على قطعة الشغل التي تم تثبيتها بواسطة تجهيزة شدّ أو بواسطة الملزمة بأمان أكبر مما لو تم المسك بها بواسطة يدك.

وصف المنتج والأداء

اقرأ جميع الملاحظات التحذيرية والتعليمات. إن ارتكاب الأخطاء عند تطبيق الملاحظات التحذيرية والتعليمات قد يؤدي إلى الصدمات الكهربائية، إلى نشوب الحرائق و/أو الإصابة بجروح خطيرة.



الاستعمال المخصص

العدة الكهربائية مخصصة للتجليخ الجاف للخشب واللداائن والجدران الجافة وبطانات التكسية وكذلك الأسطح المطلية.

عربي

تحذيرات أمان عامة للعدد الكهربائية

⚠ تحذير اطّلع على كافة تحذيرات الأمان والتعليمات

والصور والمواصفات المرفقة بالعدة الكهربائية. عدم اتباع التعليمات الواردة أدناه قد يؤدي إلى حدوث صدمة كهربائية، إلى نشوب حريق و/أو الإصابة بجروح خطيرة.

احتفظ بجميع التحذيرات والتعليمات للرجوع إليها فيما بعد.

يشير مصطلح "العدة الكهربائية" في التحذيرات إلى العدة الكهربائية الموصلة بالشبكة الكهربائية (بواسطة كابل الشبكة الكهربائية) أو إلى العدة الكهربائية المزودة بمركم (دون كابل الشبكة الكهربائية).

الأمان بمكان الشغل

حافظ على نظافة مكان شغلك وإضاءة بشكل جيد. الفوضى في مكان الشغل ونطاقات العمل غير المضاءة قد تؤدي إلى وقوع الحوادث.

لا تشتغل بالعدة الكهربائية في نطاق معرض لخطر الانفجار مثل الأماكن التي تتوفر فيه السوائل أو الغازات أو الأغبرة القابلة للاشتعال. العدد الكهربائية تولد شرراً قد يتطاير، فيشعل الأغبرة والأبخرة.

حافظ على بقاء الأطفال وغيرهم من الأشخاص بعيداً عندما تستعمل العدة الكهربائية. تشتيت الانتباه قد يتسبب في فقدان السيطرة على الجهاز.

الأمان الكهربائي

يجب أن يتلائم قابس العدة الكهربائية مع المقبس. لا يجوز تغيير القابس بأي حال من الأحوال. لا تستعمل القوابس المهيأة مع العدد الكهربائية المؤرضة (ذات طرف أرضي). تخفّف القوابس التي لم يتمّ تغييرها والمقابس الملائمة من خطر الصدمات الكهربائية.

تجنب ملامسة جسمك للأسطح المؤرضة كأبواب والمبردات والمواقد أو التلّجات. يزداد خطر الصدمات الكهربائية عندما يكون جسمك مؤرض أو موصل بالأرضي.

ابتعد العدة الكهربائية عن الأمطار أو الرطوبة. يزداد خطر الصدمات الكهربائية إن تسرب الماء إلى داخل العدة الكهربائية.

لا تسيء استعمال الكابل. لا تستخدم الكابل في حمل العدة الكهربائية أو سحبها أو سحب القابس من المقبس. احرص على إبعاد الكابل عن الحرارة والزيوت والمواف المادّة والأجزاء المتحركة. تزيد الكابلات التالفة أو المتشابكة من خطر الصدمات الكهربائية.

عند استخدام العدة الكهربائية خارج المنزل اقتصر على استخدام كابلات التمديد الصالحة للاستعمال الخارجي. يقلل استعمال كابل تمديد مخصص للاستعمال الخارجي من خطر الصدمات الكهربائية.

إن لم يكن بالإمكان تجنب تشغيل العدة الكهربائية في الأجواء الرطبة، فاستخدم مفتاح للوقاية من التيار المتخلف. إن استخدام مفتاح للوقاية من التيار المتخلف يقلل خطر الصدمات الكهربائية.

أمان الأشخاص

كن يقظاً وانتبه إلى ما تفعله واستخدم العدة الكهربائية بتعقل. لا تستخدم عدة كهربائية عندما تكون متعباً أو عندما تكون تمت تأثير المخدرات أو الكحول أو الأدوية. عدم الانتباه للحظة واحدة عند استخدام العدة الكهربائية قد يؤدي إلى إصابات خطيرة.

ارتد تجهيزات الحماية الشخصية وارتد دائماً نظارات واقية. يحد ارتداء تجهيزات الحماية الشخصية، كقناع الوقاية من الغبار وأذية الأمان الواقية من الانزلاق والخوذ أو واقية الأذنين، حسب ظروف استعمال العدة الكهربائية، من خطر الإصابة بجروح.

تجنب التشغيل بشكل غير مقصود. تأكد من كون العدة الكهربائية مطفاة قبل توصيلها بالتيار الكهربائي و/أو بالمركم، وقبل رفعها أو حملها. إن كنت تضع المصبع على المفتاح أثناء حمل العدة الكهربائية أو إن وصلت الجهاز بالشبكة الكهربائية بينما لاامفتاح على وضع التشغيل، قد يؤدي إلى وقوع الحوادث.

انزع أداة الضبط أو مفتاح الربط قبل تشغيل العدة الكهربائية. قد تؤدي الأداة أو المفتاح المتواجد في جزء دوار من الجهاز إلى الإصابة بجروح.

تجنب أوضاع الجسد الغير طبيعية. قف بأمان وحافظ على توازنك دائماً. سيسم لك ذلك بالتحكم في الجهاز بشكل أفضل في المواقف الغير متوقعة.

ارتد ثياب مناسبة. لا ترتد الثياب الفضفاضة أو الحلي. احرص على إبقاء الشعر والملابس بعيداً عن الأجزاء المتحركة. قد تتشابك الثياب الفضفاضة والحلي والشعر الطويل بالأجزاء المتحركة.

إن جاز تركيب تجهيزات شطف وتجميع الغبار، فتأكد من أنها موصولة وبأنه يتم استخدامها بشكل سليم. قد يقلل استخدام تجهيزات لشطف الغبار من المخاطر الناتجة عن الغبار.

لا تستخدم العدة الكهربائية بلا مبالاة وتجاهل قواعد الأمان الخاصة بها نتيجة لتعودك على استخدام العدة الكهربائية وكثرة استخدامها. فقد يتسبب الاستخدام دون حرص في حدوث إصابة بالغة تحدث في أجزاء من الثانية.

حسن معاملة واستخدام العدد الكهربائية

لا تفرط بتحميل الجهاز. استخدم لتنفيذ أشغالك العدة الكهربائية المخصصة لذلك. إنك تعمل بشكل أفضل وأكثر أماناً بواسطة العدة الكهربائية الملائمة في مجال الأداء المذكور.

لا تستخدم العدة الكهربائية إن كان مفتاح تشغيلها تالف. العدة الكهربائية التي لم يعد من الممكن التحكم بها عن طريق مفتاح التشغيل والإطفاء تعتبر خطيرة ويجب أن يتم إصلاحها.

اسحب القابس من المقبس و/أو اخلع المركم، إذا كان قابلاً للخلع، قبل ضبط الجهاز وقبل استبدال الملحقات أو قبل تخزين الجهاز. تمنع هذه الإجراءات وقائية تشغيل العدة الكهربائية بشكل غير مقصود.

احتفظ بالعدد الكهربائية التي لا يتم استخدامها بعيداً عن متناول الأطفال. لا تسمح باستخدام العدة الكهربائية لمن لا خبرة له بها أو لمن لم يقرأ تلك التعليمات. العدد الكهربائية خطيرة إن تم استخدامها من قبل أشخاص دون خبرة.

از رده خارج کردن دستگاه

ابزار برقی، متعلقات و بسته بندی آن، باید طبق مقررات حفظ محیط زیست از رده خارج و بازیافت شوند.

ابزارهای برقی را داخل زباله دان خانگی نیندازید!



حق هرگونه تغییری محفوظ است.

کاغذ سنبله ای که از آن برای سنبله کاری فلزات استفاده شده است، آنرا برای سنبله کاری قطعات دیگر بکار نبرید.

تنها از ابزار سنبله کاری و متعلقات ساخت بوش استفاده کنید.

مراقبت و سرویس

مراقبت، تعمیر و تمیز کردن دستگاه

- ◀ پیش از انجام هرگونه کاری بر روی ابزار الکتریکی، دوشاخه اتصال آنرا از داخل پریز برق بیرون بکشید.
- ◀ ابزار الکتریکی و شیارهای تهویه آنرا تمیز نگاه دارید، تا ایمنی شما در کار تضمین گردد.

در صورت نیاز به یک کابل یدکی برای اتصال به شبکه برق، بایستی به شرکت بوش و یا به نمایندگی مجاز بوش (خدمات پس از فروش) برای ابزار آلات برقی بوش مراجعه کنید تا از بروز خطرات ایمنی جلوگیری بعمل آید.

خدمات پس از فروش و مشاوره با

مشتریان

دفتر خدمات پس از فروش به سئوالات شما در باره تعمیرات، سرویس و همچنین قطعات یدکی و متعلقات پاسخ خواهد داد. تصاویر و اطلاعات در باره قطعات یدکی و متعلقات را میتوانید در سایت نامبرده زیر جستجو نمایید:

www.bosch-pt.com

تیم مشاور خدمات پس از فروش شرکت بوش با کمال میل به سئوالات شما در باره خرید، طرز استفاده و تنظیم محصولات و متعلقات پاسخ میدهد.

برای هرگونه سوال و یا سفارش ابزار یدکی و متعلقات، حتماً شماره فنی ده رقمی کالا را مطابق برچسب روی ابزار برقی اطلاع دهید.

ایران

روبرت بوش - ایران

میدان ونک، خیابان خدایمی

تقاطع آفتاب، پلاک 3، برج مادران، طبقه 3

تهران 1994834571

تلفن: +98 21 86092057

مکش گرد، براده و تراشه

گرد و غبار موادی مانند رنگ های دارای سرب، بعضی از چوب ها، مواد معدنی و فلزات میتوانند برای سلامتی مضر باشند. دست زدن و یا تنفس کردن گرد و غبار ممکن است باعث بروز آلرژی و یا بیماری مجاری تنفسی شخص استفاده کننده و یا افرادی که در آن نزدیکی میباشند، بشود.

گرد و غبارهای مخصوصی مانند گرد و غبار درخت بلوط و یا درخت راش سرطان زا هستند. بخصوص ترکیب آنها با سایر موادی که برای کار بر روی چوب (کرومات، مواد برای محافظت از چوب) بکار برده میشوند. فقط افراد متخصص مجازند با موادی که دارای آزرست میباشند کار کنند.

- حتی الامکان از یک دستگاه مکش مناسب و در خور ماده (قطعه کار) استفاده کنید.

- توجه داشته باشید که محل کار شما از تهویه هوای کافی برخوردار باشد.

- توصیه میشود از ماسک تنفسی ایمنی با درجه فیلتر P2 استفاده کنید.

به قوانین و مقررات معتبر در کشور خود در رابطه با استفاده از مواد و قطعات کاری توجه کنید.

◀ **از تجمع گرد و غبار در محل کار خود جلوگیری بعمل آورید.** گرد و غبار می توانند به آسانی مشتعل شوند.

طرز کار با دستگاه

راه اندازی و نحوه کاربرد دستگاه

◀ **به ولتاژ برق شبکه توجه کنید!** ولتاژ منبع جریان برق باید با مقادیر موجود بر روی برچسب ابزار الکتریکی مطابقت داشته باشد. ابزارهای برقی را که با ولتاژ 230V ولت مشخص شده اند، می توان تحت ولتاژ 220V ولت نیز بکار برد.

نحوه روشن و خاموش کردن

برای روشن کردن ابزار برقی، کلید قطع و وصل 1 را بطرف راست فشار داده و آنرا در موقعیت «I» قرار دهید.

برای خاموش کردن ابزار برقی، کلید قطع و وصل 1 را بطرف چپ فشار داده و آنرا در موقعیت «0» قرار دهید.

جهت صرفه جویی در انرژی، ابزار برقی را فقط وقتی روشن کنید که می خواهید از آن استفاده کنید.

راهنامه های عملی

◀ **قبل از کنار گذاشتن ابزار برقی باید صبر کنید تا دستگاه متوقف شده و از کار باز ایستد.**

میزان و توان لایه برداری به هنگام سنباده کاری عمدتاً به انتخاب نوع کاغذ سنباده بستگی دارد.

فقط کاغذهای سنباده سالم قدرت سایش را بالا برده و طول عمر ابزار برقی را حفظ می کنند.

سعی کنید که همیشه با فشار منظم و متعادل بر روی قطعه کار کنید، تا دوام کاغذ های سنباده افزایش یابند.

فشار بیش از حد بر روی قطعه کار باعث افزایش توان سنباده کاری نمیشود، بلکه منجر به استهلاک ابزار برقی و کاغذ سنباده می شود.

نصب

◀ **پیش از انجام هرگونه کاری بر روی ابزار الکتریکی، دوشاخه اتصال آنرا از داخل پریز برق بیرون بکشید.**

تعویض کاغذ سنباده

پیش از نصب و قرار دادن یک کاغذ سنباده جدید، گرد و غبار و تراشه های موجود در صفحه سنباده 3 را با کمک یک برس نرم تمیز کنید.

کاغذ های سنباده بدون سطح اتصال چسبنده از نوع ولکرو (رجوع شود به تصاویر A-C)

1 هر دو گیره 4 را از قفل باز کنید و آنها را به پایین بکشید.

2 صفحه ساب 5 را زیر گیره ی عقبی 2 برانید. دقت کنید که صفحه ساب 5 زیاد کوتاه نباشد و درست محکم شود. گیره 4 را به حالت اولیه برگردانید و در همان جا قفل کنید.

3 صفحه سنباده را صاف دور بشقاب ساب 3 قرار دهید. قسمت جلویی صفحه سنباده را زیر گیره ی جلویی 6 محکم کنید. دقت کنید که صفحه سنباده 5 زیاد کوتاه نباشد و درست محکم شود. گیره 4 را به حالت اولیه برگردانید و در همان جا قفل کنید.

جهت برداشتن صفحه سنباده 5 هر دو گیره 4 را باز کنید و صفحه سنباده را درآورید.

انتخاب کاغذ سنباده

متناسب با جنس قطعه کار و مقداری که باید از قطعه کار تراشیده شود، کاغذ های سنباده مختلفی عرضه میشود:

درشتی دانه ها

40-240

red:Wood

برای کار روی همه نوع چوب

برای سنباده کاری اولیه قطعاتی از جمله تیرهای چوبی و تخته با سطح ناصاف

زیر/درشت 40, 60

برای صاف کردن و همسطح کردن ناهمواری های کوچک

متوسط 80, 120

برای سنباده زدن نهائی و ظریف چوب های سخت

ظریف 180, 240

40-240

white:Paint

برای کار روی سطح های دارای رنگ ولاک و یا سایش زیرکاری مانند مواد پرکننده و سطوح ملات و بتونه کاری شده

برای سنباده کاری رنگ

زیر/درشت 40, 60

برای سنباده کاری رنگ اولیه (ته رنگ)

متوسط 80, 120

برای سنباده کاری نهائی زیر کار قبل از رنگ زدن نهائی

ظریف 180, 240

◀ **قطعه کار را محکم کنید.** در صورتیکه قطعه کار به وسیله تجهیزات نگهدارنده و یا بوسیله گیره محکم شده باشد، قطعه کار مطمئن تر نگه داشته میشود، تا اینکه بوسیله دست نگهداشته شود.

تشریح دستگاه و عملکرد آن

کلیه دستورات ایمنی و راهنمایی ها را مطالعه کنید. اشتباهات ناشی از عدم رعایت این دستورات ایمنی ممکن است باعث برق گرفتگی، سوختگی و یا سایر جراحات های شدید شود.



موارد استفاده از دستگاه

ابزار برقی جهت ساییدن خشک چوب، پلاستیک، دیوارهای از پیش ساخته، بتونه و نیز سطوح رنگ کاری شده در نظر گرفته شده است.

اجزاء دستگاه

شماره های اجزاء دستگاه که در تصویر مشاهده میشود، مربوط به شرح ابزار برقی می باشد که تصویر آن در این دفترچه آمده است.

- 1 کلید قطع و وصل
- 2 گیره عقبی
- 3 صفحه سنبله
- 4 گیره (2x)
- 5 کاغذ سنبله *
- 6 گیره جلویی

* دسته (با روکش عایق دار)

7 کلیه متعلقاتی که در تصویر و یا در متن آمده است، بطور معمول همراه دستگاه ارائه نمی شود. لطفاً لیست کامل متعلقات را از فهرست برنامه متعلقات اقتباس نمایند.

مشخصات فنی

سنباده تخت لرزان		GSS 140
شماره فنی	3 601 BA8 ...	
قدرت ورودی نامی	W	220
سرعت در حالت آزاد	min ⁻¹	14000
سرعت لرزش در حالت آزاد	min ⁻¹	28 000
قطر دایره ارتعاش و لرزش (قطر صفحه لرزنده)	mm	1,5
ابعاد کاغذ سنباده	mm	114 x 140
- اتصال بوسیله گیره	mm	105 x 113
وزن مطابق استاندارد EPTA-Procedure 01:2014	kg	1,2
کلاس ایمنی	II / □	
این اطلاعات برای ولتاژ نامی [U] 230V ولت می باشند و در صورت تغییر ولتاژ و یا در کشورهای دیگر می توانند تغییر کنند.		

◀ قبل از تنظیم ابزار الکتریکی، تعویض متعلقات و یا کنار گذاشتن آن، دوشاخه را از برق کشیده و یا باتری آنرا خارج کنید. رعایت این اقدامات پیشگیری ایمنی از راه افتادن ناخواسته ابزار الکتریکی جلوگیری می کند.

◀ ابزار الکتریکی را در صورت عدم استفاده، از دسترس کودکان دور نگهدارید. اجازه ندهید که افراد ناوارد و یا اشخاصی که این دفترچه راهنما را نخوانده اند، با این دستگاه کار کنند. قرار گرفتن ابزار الکتریکی در دست افراد ناوارد و بی تجربه خطرناک است.

◀ از ابزار الکتریکی و متعلقات خوب مراقبت کنید. مواظب باشید که قسمت های متمرکز دستگاه خوب کار کرده و گیر نکنند. همچنین دقت کنید که قطعات ابزار الکتریکی شکسته و یا آسیب دیده نباشند. قطعات آسیب دیده را قبل از شروع به کار تعمیر کنید. علت بسیاری از سوانح کاری، عدم مراقبت کامل از ابزارهای الکتریکی می باشد.

◀ ابزار برش را تیز و تمیز نگهدارید. ابزار برشی که خوب مراقبت شده و از لبه های تیز برخوردارند، کمتر در قطعه کار گیر کرده و بهتر قابل هدایت می باشند.

◀ ابزارهای الکتریکی، متعلقات، ابزاری که روی دستگاه نصب می شوند و غیره را مطابق دستورات این جزوه راهنما طوری به کار بگیرید که با مدل این دستگاه تناسب داشته باشند. همچنین به شرایط کاری و نوع کار توجه کنید. کاربرد ابزار برقی برای موارد کاری که برای آن در نظر گرفته نشده است، میتواند شرایط خطرناکی را منجر شود.

◀ دسته ها و سطوح عایق را همواره خشک، تمیز و عاری از روغن و گریس نگهدارید. دسته های لغزنده مانع ایمنی و کنترل در کار در شرایط غیر منتظره هستند.

سرویس

◀ برای تعمیر ابزار الکتریکی فقط به متخصصین حرفه ای رجوع کرده و از وسایل پدکی اصل استفاده کنید. این باعث خواهد شد که ایمنی دستگاه شما تضمین گردد.

راهنمایی ها و نکات ایمنی برای سنباده ها

◀ از این ابزار برقی فقط برای سنباده کاری خشک استفاده کنید. نفوذ آب به داخل یک دستگاه برقی خطر برق گرفتگی را افزایش میدهد.

◀ توجه، خطر سوختگی و حریق! از داغ شدن بیش از حد قطعه کار و همچنین دستگاه سنباده کاری جلوگیری کنید. پیش از استراحت های کاری، همیشه محفظه گرد و غبار و تراشه را خالی کنید. گرد و غبار و ذرات ناشی از سنباده کاری، ممکن است در داخل کیسه گرد و غبار، در مایکرو فیلتر، در کیسه کاغذی (و یا در محفظه فیلتر و همچنین در فیلتر دستگاه مکش) متجمع شود. شرایط نامناسب از جمله هنگام پرش و جهش جرقه های ایجاد شده هنگام سنباده کاری فلزات خود بخود آتش بگیرد. مخصوصاً این خطر هنگامی بیشتر است که ذرات ناشی از سنباده کاری با لاک رنگ، بقایای پلی اورتان و یا سایر مواد شیمیایی مخلوط شده و قطعه کار بعد از کار طولانی داغ شده باشد.

فارسی

راهنمایی های ایمنی عمومی برای ابزارهای الکتریکی

- ⚠ هشدار** همه دستورات ایمنی، راهنمایی ها، تصاویر و مشخصات ارائه شده با این ابزار برقی را بخوانید. اشتباهات ناشی از عدم رعایت این دستورات ایمنی ممکن است باعث برق گرفتگی، سوختگی و یا سایر جراحات های شدید شود.
- همه ی هشدار های ایمنی و راهنمایی ها را برای آینده خوب نگهداری کنید.**

هر جا در این راهنما از «ابزار الکتریکی» صحبت میشود، منظور ابزارهای الکتریکی (با سیم برق) و یا ابزارهای الکتریکی باتری دار (بدون سیم برق) می باشد.

ایمنی محل کار

- ◀ محل کار خود را تمیز، مرتب و مجهز به نور کافی نگهدارید. محیط کار نامرتب و کم نور میتواند باعث سوانح کاری شود.
- ◀ با ابزار الکتریکی در محیط هایی که در آن خطر انفجار وجود داشته و حاوی مایعات، گازها و بخارهای ممتزقه باشد، کار نکنید. ابزار های الکتریکی جرقه هایی ایجاد می کنند که می توانند باعث آتش گرفتن گرد و غبارهای موجود در هوا شوند.
- ◀ هنگام کار با ابزار الکتریکی، کودکان و سایر افراد را از دستگاه دور نگهدارید. در صورتیکه حواس شما پرت شود، ممکن است کنترل دستگاه از دست شما خارج شود.

ایمنی الکتریکی

- ◀ دوشاخه ابزار الکتریکی باید با پریز برق تناسب داشته باشد. هیچگونه تغییری در دوشاخه ندهید. مبدل دوشاخه نباید همراه با ابزار الکتریکی دارای اتصال به زمین استفاده شود. دوشاخه های اصل و تغییر داده نشده و پریزهای مناسب، خطر شوک الکتریکی و برق گرفتگی را کم می کنند.
- ◀ از تماس بدنی با قطعات متصل به سیم اتصال به زمین مانند لوله، شوفاژ، اجاق برقی و یخچال خودداری کنید. در صورت تماس بدنی با سطوح و قطعات دارای اتصال به زمین و همچنین تماس شما با زمین، خطر برق گرفتگی افزایش می یابد.
- ◀ دستگاه را از باران و رطوبت دور نگهدارید. نفوذ آب به ابزار الکتریکی، خطر شوک الکتریکی را افزایش میدهد.
- ◀ از سیم دستگاه برای کارهایی چون حمل ابزار الکتریکی، آویزان کردن آن و یا خارج کردن دوشاخه از برق استفاده نکنید. کابل دستگاه را در مقابل حرارت، روغن، لبه های تیز و بخش های متحرک دستگاه دور نگهدارید. کابل های آسیب دیده و یا گره خورده خطر شوک الکتریکی را افزایش میدهند.
- ◀ در صورتیکه با ابزار الکتریکی در محیط باز کار میکنید، تنها از کابل رابطی استفاده کنید که برای محیط باز نیز مناسب باشد. کابل های رابط مناسب برای محیط باز، خطر برق گرفتگی را کم می کنند.

- ◀ در صورت لزوم کار با ابزار برقی در محیط و اماکن مرطوب، باید از یک کلید حفاظتی جریان خطا و نشستی زمین (کلید قطع کننده اتصال با زمین) استفاده کنید. استفاده از کلید حفاظتی جریان خطا و نشستی زمین خطر برق گرفتگی را کاهش می دهد.

رعایت ایمنی اشخاص

- ◀ حواس خود را خوب جمع کنید، به کار خود دقت کنید و با فکر و هوش کامل با ابزار الکتریکی کار کنید. در صورت خستگی و یا در صورتیکه مواد مخدر، الکل و دارو استفاده کرده اید، با ابزار الکتریکی کار نکنید. یک لحظه بی توجهی هنگام کار با ابزار الکتریکی، میتواند جراحات های شدیدی به همراه داشته باشد.
- ◀ از تجهیزات ایمنی شخصی و از عینک ایمنی همواره استفاده کنید. استفاده از تجهیزات ایمنی مانند ماسک ایمنی، کفش های ایمنی ضد لغزش، کلاه ایمنی و گوشی ایمنی متناسب با نوع کار با ابزار الکتریکی، خطر مجروح شدن را کاهش میدهد.
- ◀ مواظب باشید که ابزار الکتریکی بطور ناخواسته بکار نیفتد. قبل از وارد کردن دوشاخه دستگاه در پریز برق، اتصال آن به باتری، برداشتن آن و یا حمل دستگاه، باید دقت کنید که ابزار الکتریکی خاموش باشد. در صورتیکه هنگام حمل دستگاه انگشت شما روی دکمه قطع و وصل باشد و یا دستگاه را در حالت روشن به برق بزنید، ممکن است سوانح کاری پیش آید.
- ◀ قبل از روشن کردن ابزار الکتریکی، باید همه ابزارهای تنظیم کننده و آچار ها را از روی دستگاه بردارید. ابزار و آچارهایی که روی بخش های چرخنده دستگاه قرار دارند، میتوانند باعث ایجاد جراحات شوند.
- ◀ وضعیت بدن شما باید در حالت عادی قرار داشته باشد. برای کار جای مطمئنی برای خود انتخاب کرده و تعادل خود را همواره حفظ کنید. به این ترتیب می توانید ابزار الکتریکی را در وضعیت های غیر منتظره بهتر تحت کنترل داشته باشید.
- ◀ لباس مناسب بپوشید. از پوشیدن لباس های گشاد و حمل زینت آلات خودداری کنید. موها، لباس را از بخش های در حال چرخش دستگاه دور نگهدارید. لباس های گشاد، موی بلند و زینت آلات ممکن است در قسمت های در حال چرخش دستگاه گیر کنند.
- ◀ در صورتیکه میتوانید وسائل مکش گرد و غبار و یا وسیله جمع کننده گرد و غبار را به دستگاه نصب کنید، باید مطمئن شوید که این وسائل درست نصب و استفاده می شوند. استفاده از وسائل مکش گرد و غبار مصونیت شما را در برابر گرد و غبار زیاد تر میکند.
- ◀ آشنایی با ابزار به خاطر کاربرد زیاد آن نباید باعث سهل انگاری شما و نادیده گرفتن دستورات ایمنی شود. بی دقتی ممکن است باعث بروز جراحاتی در عرض کسری از ثانیه شود.
- استفاده صحیح از ابزار الکتریکی و مراقبت از آن
- ◀ از وارد کردن فشار زیاد روی دستگاه خودداری کنید. برای هر کاری، از ابزار الکتریکی مناسب با آن استفاده کنید. بکار گرفتن ابزار الکتریکی مناسب باعث میشود که بتوانید از توان دستگاه بهتر و با اطمینان بیشتر استفاده کنید.
- ◀ در صورت ایراد در کلید قطع و وصل ابزار برقی، از دستگاه استفاده نکنید. ابزار الکتریکی که نمی توان آنها را قطع و وصل کرد، خطرناک بوده و باید تعمیر شوند.