



XYZAX SVF NEX

Export license: Not required

Dedicated catalog is available.

Full renewed design of our long-selling machines,
RVF series Newly improved entry model of manual type,
high-precision 3D measuring machine.

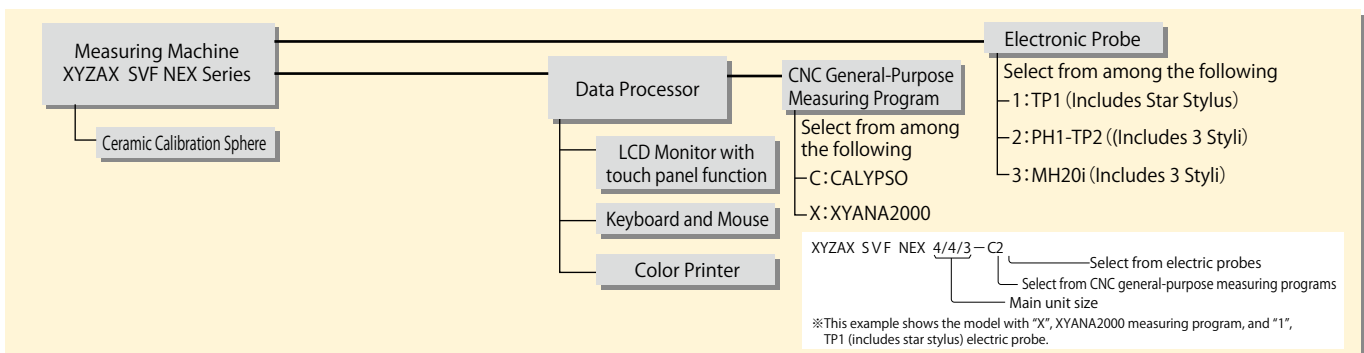


XYZAX SVF NEX 6/5/3-C3

*PC rack and swing probe is an option



Basic System Configuration

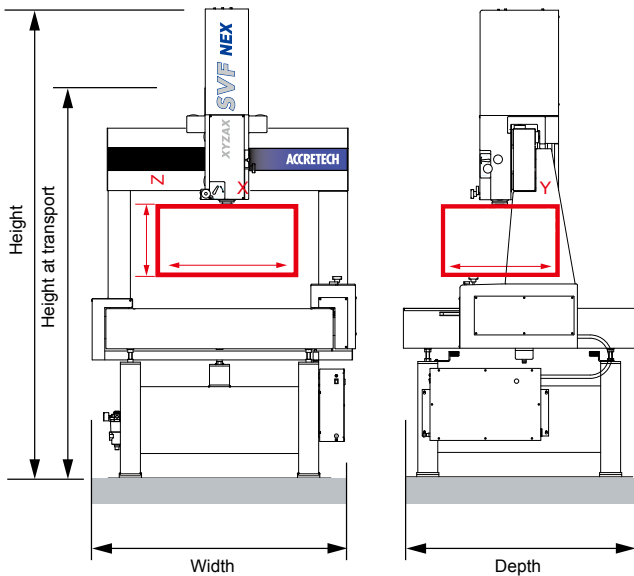


Specifications

Model		XYZAX SVF NEX		
		4/4/3	6/5/3	8/6/6
Measuring range	X-axis (mm)	400	600	800
	Y-axis (mm)	350	500	600
	Z-axis (mm)	300		
Minimum display value (μm)		0.01		
Measuring length scale		Linear scale		
Measuring accuracy	Max. permissible indication error MPEE (μm)	3.0+4.0 L/1000	4.0+5.0 L/1000	5.4+5.5 L/1000
	L is the distance between any two points (mm)			
Table	Material	Gabbro		
	Usable range (mm)	600×895	800×1045	1000×1250
	Height from floor (mm)	760		
	Flatness	JIS Class 1		
	Fixing screw for object to be measured	M10 internal screw		
Workpiece	Max. height (mm)	450	450	750
	Max. weight (kg)	300	400	600
Guide system of each axis		Air bearing		
Probe balancing range		0 to 1 kg (200 g each variable)		
Air supply	Supply pressure/working pressure (MPa)	0.3 to 0.69/0.27		0.4 to 0.69/0.39
	Air consumption (NL/min)	40 (barometric pressure conversion)		
Power supply	Voltage (V/%), consumption (VA)	AC100 ±10 (grounding required), 500		

●Large size machine (Y-axis measurement range 1,000 mm) represented by SVF NEX 8/10/6, is also available. Please contact us for details.

External View



Centering Microscope

Probe Number	Specifications	
7291	7291	7296
7296		
	Total Magnification	20× 40×
	Object Lens	2× 4×
	Eyepiece	10× 10×
	Field of View	Φ 8 mm Φ 4 mm
	Working Distance	67 mm 41 mm
	Field Pattern	Erect Image Erect Image
	Crosshair Offset from Center for Reference A	0.01 mm max.
	Accessories	Storage Box Transformer Edge Positioning Gages
	Weight	Approximately 850g
	Note: In addition to standard templates, broken line, 45° divided line, and other patterns are available as special specifications.	

ITV Camera System

Probe Number	System	Monochrome ITV Camera System	Color ITV Camera System
40481	Monochrome System		
40568	Color System		
Total Magnification		Approx. 40x (Approx. 75 x)	Approx. 80 x (Approx. 110 x)
Working Distance		95 mm (29 mm)	
Field Pattern		Erect Image	
Camera		High-resolution CCD Monochrome Camera	High-resolution CCD Color Camera
Digital Lines		Vertical: 2, Horizontal: 2	
Monitor		9-inch Monochrome	10-inch Color
Illumination device		Optical Fiber 80 W (Switchable)	Optical Fiber 100 W (Switchable)
Power consumption		78 W	160 W

Note: Figures in parentheses () are for 7296 centering microscope.

*The specification and appearance are subject to change due to the convenience of the supplier.

Dimensions

Model		XYZAX SVF NEX			
		4/4/3	6/5/3	8/6/6	8/10/6
Dimensions (mm)	Width	990	1190	1490	
	Depth	895	1045	1250	1750
	Height	2105		2705	
Machine height at transport (mm)		1780		2080	
Weight (kg)		580	770	1200	1700

*Be sure to check the height of passageways, and, in particular, the height of doors and other openings to be used when the machine is delivered. The height of openings needs to be the machine height at transport plus about 200 mm to allow for the dollies used to move the machines.